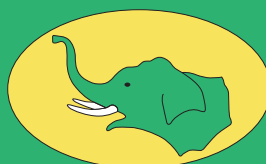


ENERGREEN

# ILFB2000

CATALOGO RICAMBI - SPARE PARTS LIST

Soluzioni dinamiche sempre all'avanguardia in uomini e mezzi



# ENERGREEN®

Macchine decespugliatrici professionali  
BY LASERJET





**ENERGREEN®**

## INDICE – INDEX

### T.01 TELAIO – CHASSIS

---

|       |                                      |           |
|-------|--------------------------------------|-----------|
| 01.01 | SERBATOIO - TANK                     | T01.01.00 |
| 01.02 | COFANATURE - COVER ASSY              | T01.02.00 |
| 01.03 | FISSAGGIO TORRETTA - CHASSIS SUPPORT | T01.03.00 |
| 01.04 | FISSAGGIO CABINA - CABIN SUPPORT     | T01.04.00 |

### T.02 CABINA – CABIN

---

|       |  |           |
|-------|--|-----------|
| 02.01 | ESPLOSO CABINA - CABIN EXPLODED VIEW               | T02.01.00 |
| 02.02 | ESPLOSO PORTA - DOOR EXPLODED VIEW                 | T02.02.00 |
| 02.03 | STRUMENTAZIONI - INSTRUMENTS                       | T02.03.00 |
| 02.04 | IMPIANTO CLIMATIZZAZIONE - AIR CONDITIONING SYSTEM | T02.04.00 |
| 02.05 | QUADRI COMANDO – SWITCH BOARD                      | T02.05.00 |

### T.03 MOTORE DIESEL – GASOLINE ENGINE

---

|       |   |           |
|-------|---|-----------|
| 03.01 | MOTORE DIESEL - GASOLINE ENGINE         | T03.01.00 |
| 03.02 | RICAMBI MOTORE DIESEL – GASOLINE ENGINE | T03.02.00 |
| 03.03 | ASSALI - AXLES                          | T03.03.00 |
| 03.04 | RUOTE – NARROW COMPLETE WHEEL           | T03.04.00 |

---

## T.04 IMPIANTO ELETTRICO – ELECTRICAL EQUIPMENT

---

04.01 FANALERIA E COMPONENTI - LAMPS T04.01.00

---

## T.05 BRACCIO – ARM

---

05.01 FISSAGGIO PRIMO BRACCIO - FIRST ARM MOUNTING T05.01.00  
05.02 FISSAGGIO SECONDO BRACCIO – SECOND ARM MOUNTING T05.02.00  
05.03 BRACCIO TELESCOPICO - TELESCOPIC ARM MOUNTING T05.03.00  
05.04 PRIMO SFILO – FIRST TELESCOPIC ARM MOUNTING T05.04.00  
05.05 SECONDO SFILO – SECOND TELESCOPIC ARM MOUNTING T05.05.00  
05.06 TERZO SFILO – THIRD TELESCOPIC ARM MOUNTING T05.06.00  
05.07 FISSAGGIO INCLINAZIONE FRESA – HEAD CUTTING MOUNTING T05.07.00

---

## T.06 CILINDRI – CYLINDER

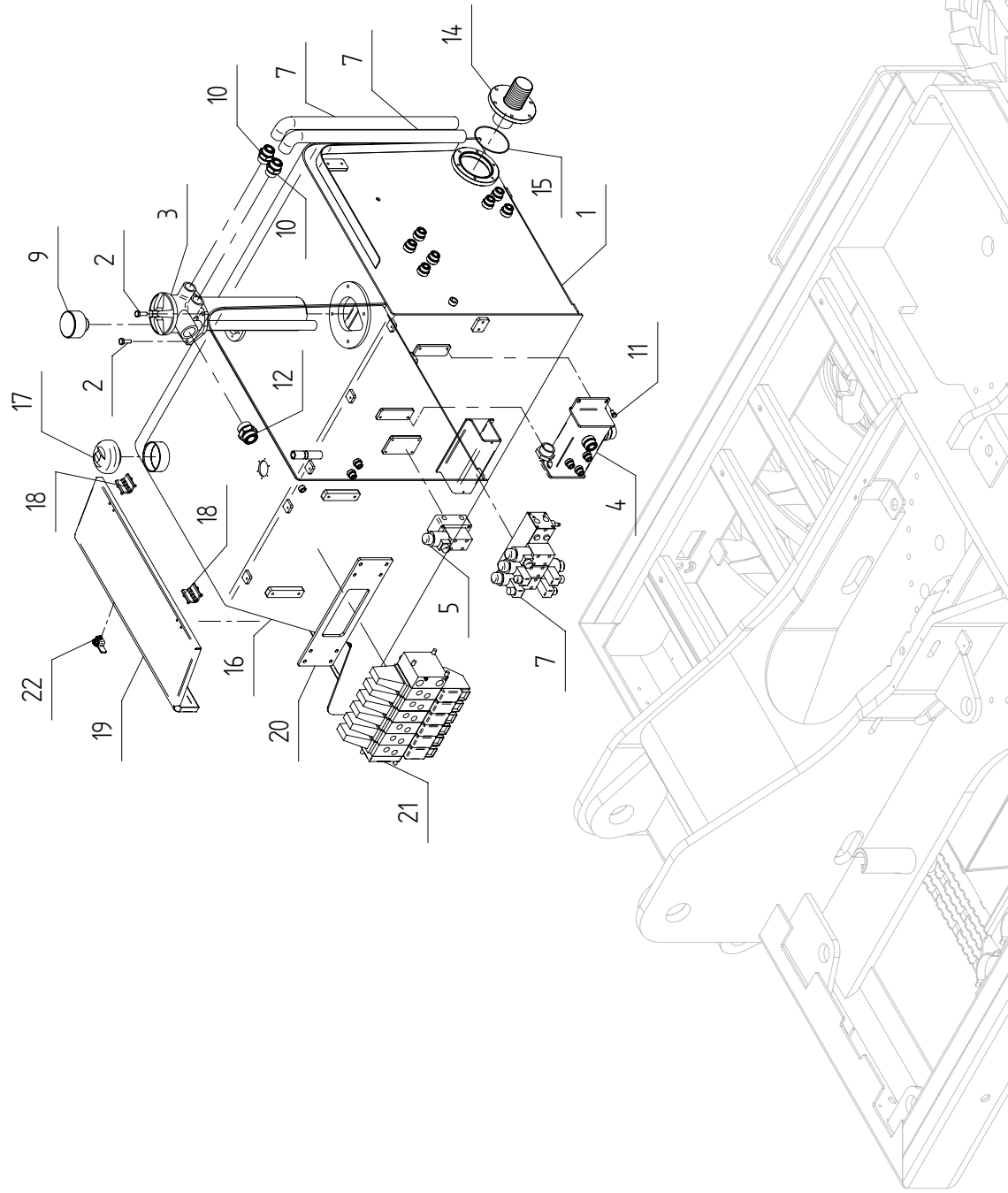
---

06.01 ESPLOSO CILINDRI - CYLINDER EXPLODED VIEW T06.01.00

---

| Pos. | Q.tà | Cod.         | Descrizione                | Description               |
|------|------|--------------|----------------------------|---------------------------|
| 1    | 1    | E00200320000 | SERBATOIO OLIO             | OIL TANK                  |
| 2    | 4    | E30011210030 | VITE TE IF PG M10x30 - 8.8 | HEXAGON BOLT M10x30 - 8.8 |
| 3    | 1    | E410E2481582 | FILTRO OLIO                | OIL FILTER                |
| 4    | 1    | E00200521400 | COLLETTORE DI SCARICO      | MANIFOLD                  |
| 5    | 1    | E00100522200 | BLOCCO AMMORTIZZATORE      | SOLENOID VALVE            |
| 6    | 1    | E40911020001 | VALVOLA DI NON RITORNO     | CHECK VALVE               |
| 7    | 1    | E00200500200 | BLOCCO ZAVORRA             | SOLENOID VALVE            |
| 8    | 1    | E4112C548182 | LIVELLO OLIO               | OIL LEVEL INDICATOR       |
| 9    | 1    | E4122LE08182 | TAPPO OLIO                 | CAP FILLER                |
| 10   | 2    | E60810010716 | NIPPLO 1" - 7/16           | NIPPLES                   |
| 11   | 4    | E30011208016 | VITE TE IF PG M8x16 - 8.8  | HEXAGON BOLT M8x16 - 8.8  |
| 12   | 1    | E60811411116 | NIPPLO 1" 1/4 - 1" 11/16   | NIPPLES                   |
| 13   | 1    | E60720S40MLO | RACCORDO A T 1" 1/4        | CONNECTOR                 |
| 14   | 1    | E00200320600 | ASPIRAZIONE                | INTAKE                    |
| 15   | 1    | E60126217363 | O-RING 2,62 ø107,63        | O-RING 2,62 ø107,63       |
| 16   | 1    | E00200320200 | SERBATOIO GASOLIO          | FUEL TANK                 |
| 17   | 1    | E41210679244 | TAPPO GASOLIO              | CAP FILLER                |
| 18   | 2    | E70601056U8  | CERNIERA                   | SCREW-ON HINGE            |
| 19   | 1    | E00200320500 | COPERCHIO BATTERIA         | BATTERY COVER             |
| 20   | 1    | E00200320300 | SUPPORTO DISTRIBUTORE      | SUPPORT                   |
| 21   | 1    | E423157F5164 | DISTRIBUTORE 6 ELEMENTI    | DIRECTIONAL CONTROL VALVE |
| 22   | 1    | E70522332604 | SERRATURA                  | QUATER TURN               |

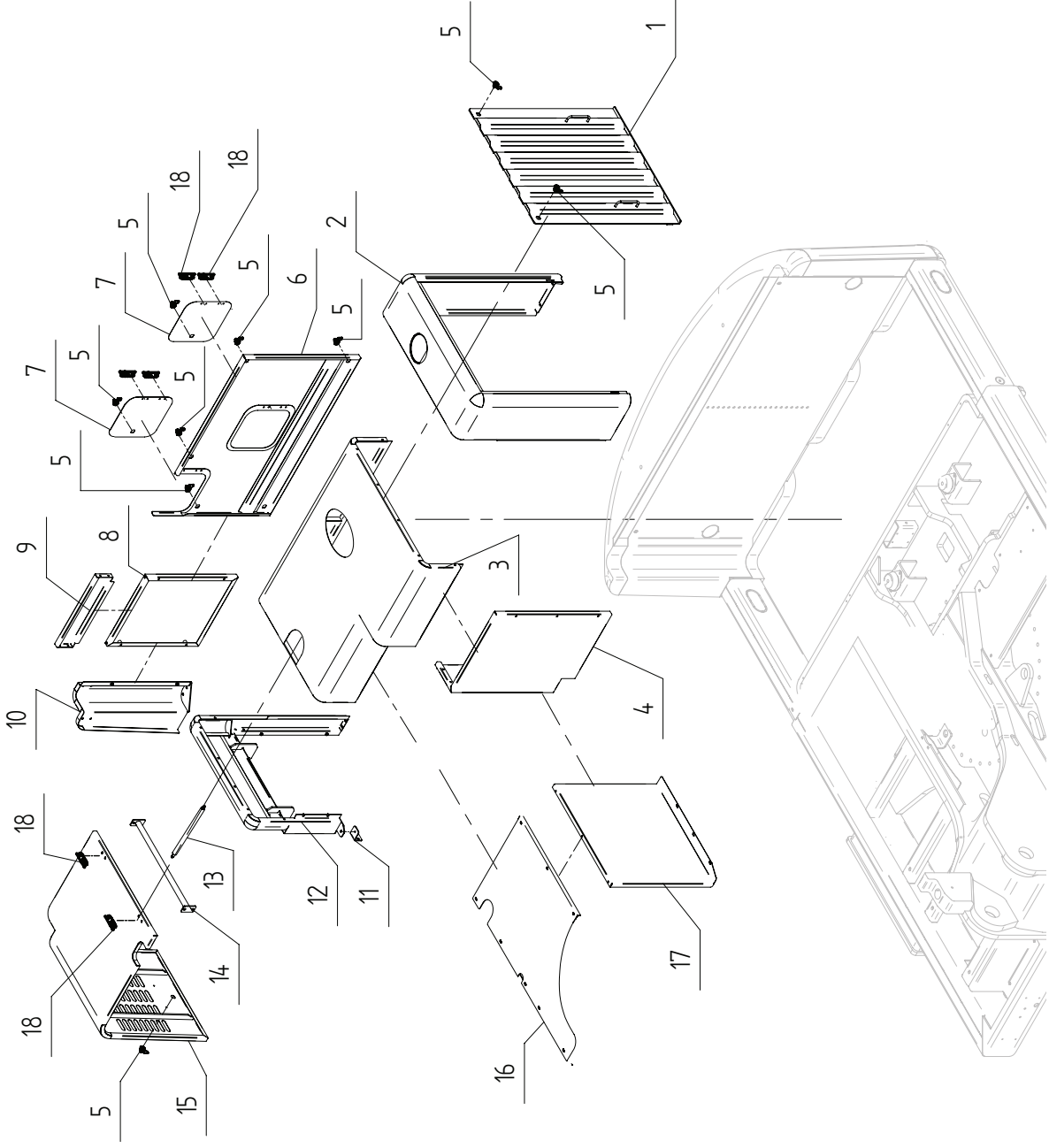

**ENERGREEN®**



**ENERGREEN®**

| Pos. | Q.tà | Cod.         | Descrizione                   | Description      |
|------|------|--------------|-------------------------------|------------------|
| 1    | 1    | E00200423500 | GRIGLIA RADIATORE             | REAR COVER       |
| 2    | 1    | E00200420000 | MONTANTE LATO RADIATORE       | SUPPORT          |
| 3    | 1    | E00200420100 | COFANO SUPERIORE              | UPPER COVER      |
| 4    | 1    | E00200421000 | PANNELLO ANTERIORE            | FRONT COVER      |
| 5    | 10   | E70522332604 | CHIUSURA CON INSERTO H=4mm    | QUATER TURN      |
| 6    | 1    | E00200420300 | PANNELLO POSTERIORE           | REAR COVER       |
| 7    | 2    | E00200420800 | PORTA                         | DOOR             |
| 8    | 1    | E00200420500 | CHIUSURA POST. VANO POMPE     | REAR COVER PUMPS |
| 9    | 1    | E00200422100 | MONTANTE                      | SUPPORT          |
| 10   | 1    | E00200422000 | MONTANTE                      | SUPPORT          |
| 11   | 1    | E00200422500 | PIEGATO                       | FOLDED           |
| 12   | 1    | E00200420200 | MONTANTE LATO POMPE           | PUMP SUPPORT     |
| 13   | 1    | E00200424000 | ASTA SUPPORTO COFANO          | COVER SUPPORT    |
| 14   | 1    | E00200422600 | DISTANZIALE                   | SPACER           |
| 15   | 1    | E00200420600 | COFANO MOBILE                 | COVER            |
| 16   | 1    | E00200423300 | COFANO SUPERIORE DISTRIBUTORE | UPPER COVER      |
| 17   | 1    | E00200423400 | COFANO VERICALE DISTRIBUTORE  | VERTICAL COVER   |
| 18   | 6    | E70601056U12 | CERNIERA                      | SCREW-ON HINGE   |


**ENERGREEN®**

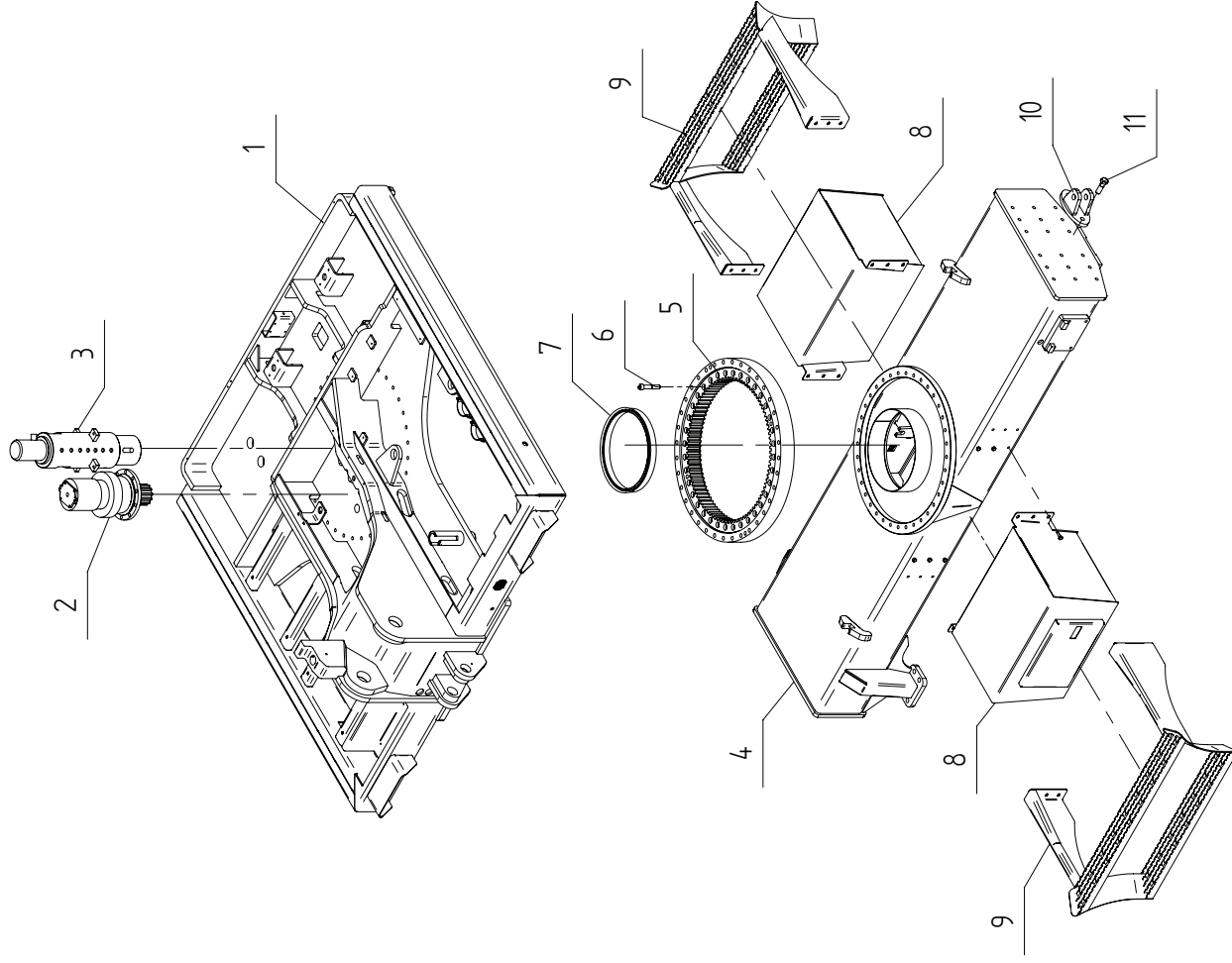


**ENERGREEN**<sup>®</sup>



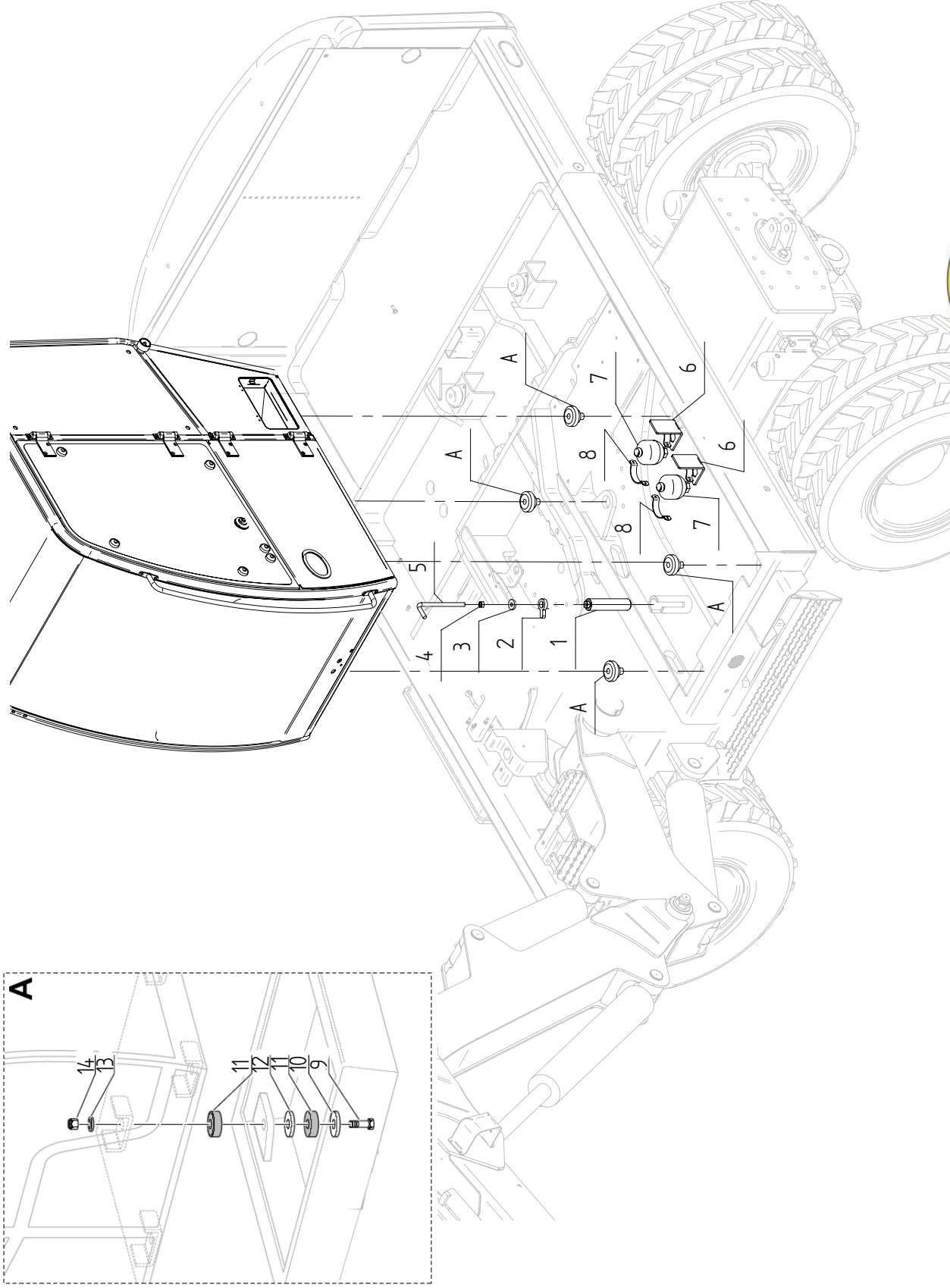
| Pos. | Q.tà | Cod.         | Descrizione               | Description                        |
|------|------|--------------|---------------------------|------------------------------------|
| 1    | 1    | E00202020000 | TORRETTA                  | CHASSIS                            |
| 2    | 1    | E40712040001 | RIDUTTORE 705T2F          | GEAR UNIT 705T2F                   |
| 3    | 1    | E41410732074 | DISTRIBUTORE ROTANTE      | REVOLVING DIRECTINAL CONTROL VALVE |
| 4    | 1    | E00200120000 | CARRO INFERIORE           | UNDERCARRIAGE                      |
| 5    | 1    | E00200120100 | RALLA 12098401            | SLEWING RING 12098401              |
| 6    | 36   | E30031420110 | VITE T C E I PG M20x110   | HEX. SOCKET HEAD CAP SCREW M20x110 |
| 7    | 1    | E00400120400 | GUARNIZIONE TENUTA GRASSO | GASKET                             |
| 8    | 2    | E00200170300 | CASSETTONE                | BOX                                |
| 9    | 2    | E00200121600 | SCALA                     | STAIR                              |
| 10   | 2    | E00300122100 | GANCIO TRAINO             | FIX TOWING HITCH                   |
| 11   | 4    | E30021324080 | VITE TE PF M24x80 -10,9   | HEX. BOLT M24x80 - 10,9            |


**ENERGREEN®**



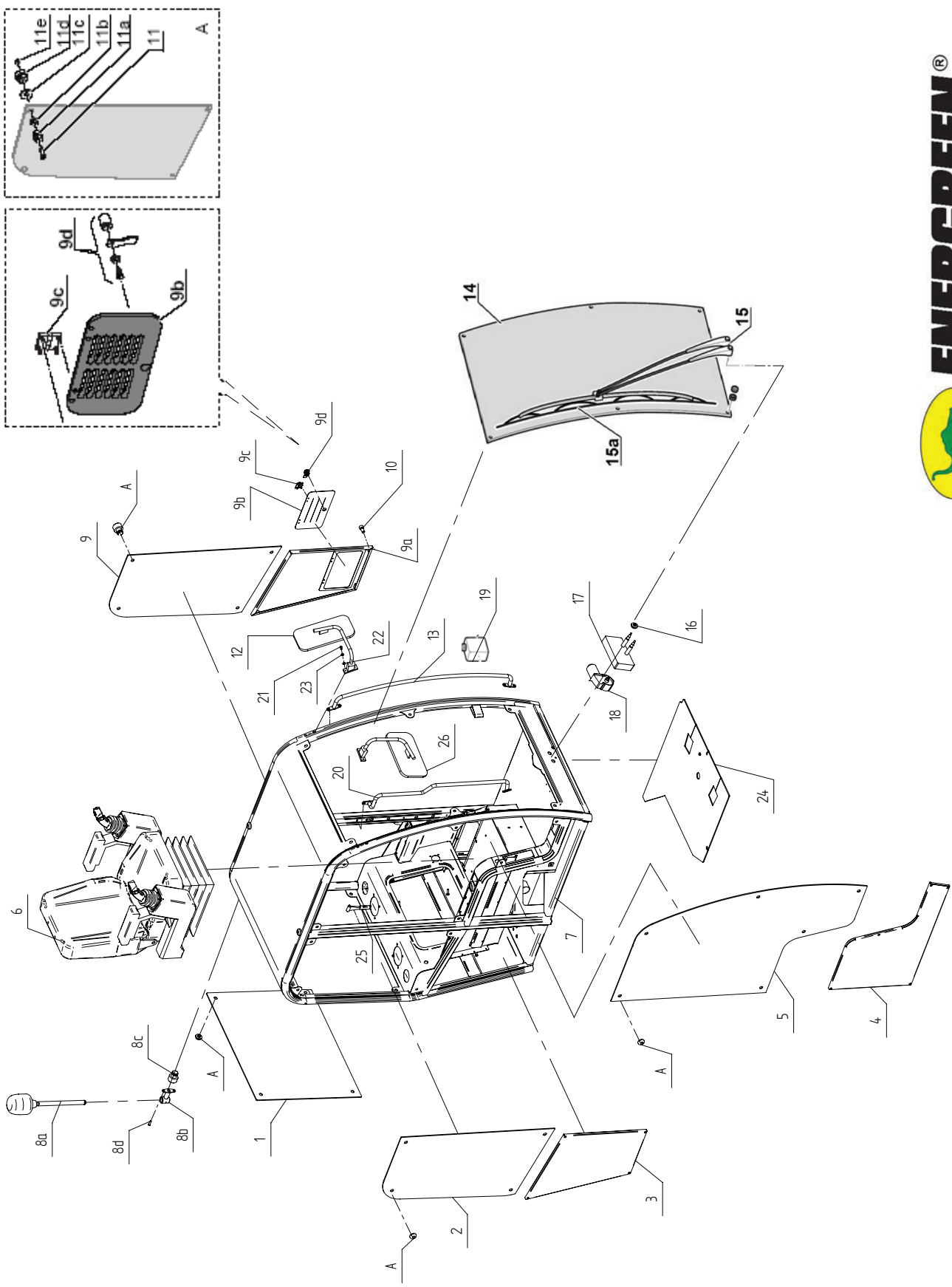
| Pos. | Q.tà | Cod.         | Descrizione                | Description               |
|------|------|--------------|----------------------------|---------------------------|
| 1    | 1    | E00202020801 | PERNO BLOCCO TORRETTA      | LOCK PIVOT                |
| 2    | 1    | E00202020802 | MANIGLIA                   | HANDLE                    |
| 3    | 1    | E00202020804 | RONDELLA                   | WASHER                    |
| 4    | 1    | E31020103016 | DADO M16                   | NUT M16                   |
| 5    | 1    | E00202020803 | TIRANTE                    | TIE                       |
| 6    | 2    | E00300270000 | SUPPORTO ACCUMULATORE      | ACCUMULATOR SUPPORT       |
| 7    | 2    | E441ELM05210 | ACCUMULATORE 0,50 - 210    | ACCUMULATOR 0,5 - 210     |
| 8    | 2    | E0030026900  | CAVALLOTTO                 | CLAMP                     |
| 9    | 4    | E30021620130 | VITE TE PF 10,9 ZN M20x130 | HEXAGON BOLT 10,9 M20x130 |
| 10   | 4    | E00100222300 | RONDELLA ø90               | WASHER ø 90               |
| 11   | 4    | E34030409075 | ANTIVIBRANTE               | SILENT BLOCK              |
| 12   | 4    | E00100220900 | SPESSORE                   | T THICKNESS               |
| 13   | 4    | E80721600501 | RONDELLA ø50               | WASHER ø 50               |
| 14   | 4    | E31050201020 | DADO AUTOBLOCCANTE M20     | HEXAGON LOCK-NUTS M20     |


**ENERGREEN®**



| Pos. | Q.tà | Cod.         | Descrizione                | Description                    |
|------|------|--------------|----------------------------|--------------------------------|
| 1    | 1    | E00100721000 | VETRO POSTERIORE           | REAR GLASS                     |
| 2    | 1    | E00100721200 | VETRO LATERALE DX          | LATERAL GLASS                  |
| 3    | 1    | E00100721500 | PANNELLO POSTERIORE DX     | REAR PANEL                     |
| 4    | 1    | E00100721400 | PANNELLO DX                | RIGHT PANEL                    |
| 5    | 1    | E00100721300 | VETRO LATERALE             | LATERAL GLASS                  |
| 6    | 1    | E7020KAB525P | SEDILE                     | SEAT                           |
| 7    | 1    | E00300720000 | CARPENTERIA CABINA         | CAB ASSY                       |
| 8a   | 1    | E00100723700 | ATTACCO LAMP.              | SUPPORT LAMP.                  |
| 8b   | 1    | E00100723800 | SUPPORTO                   | WELDED MOUNTING                |
| 8c   | 1    | E31301M06030 | POMELLO M6                 | MALE KNOB                      |
| 8d   | 2    | E30081308030 | VITE TB EI M8x30           | HEX. SOCKET BUTT ON HEAD M8x30 |
| 9    | 1    | E00100771600 | CHIUSURA POST. SX COMPLETA | REAR LEFT COVER                |
| 9a   | 1    | E00100721600 | CHIUSURA POST. SX          | LEFT COVER                     |
| 9b   | 1    | E00100726000 | CHIUSURA FILTRO            | COVER                          |
| 9c   | 2    | E706001056U4 | CERNIERA M5                | SCREW-ON HINGE M5              |
| 9d   | 1    | E70522332604 | CHIUSURA CON INSERTO H=4   | QUATER TURN                    |
| 10   | 13   | E30031206030 | VITE TC EI 8 M6x30         | HEX. SOCKET HEAD CAP M6x30     |
| 11   | 24   | E30041208040 | VITE TS EI M8x40           | SOCKET FLAT HEAD CAP M8x40     |
| 11a  | 24   | E71302498DLP | BORGHIA ES. INC.           | HEX. HOLE SITE PORTS           |
| 11b  | 24   | E71302498001 | GOMMINO                    | WASHER GUM                     |
| 11c  | 24   | E00100722400 | DISTANZIALE                | GUM SPACER                     |
| 11d  | 24   | E71300130311 | BORGHIA SVASATA            | COUNTERSUNK PORTS              |
| 11e  | 24   | E31020102008 | DADO M8                    | HEXAGON NUT M8                 |
| 12   | 1    | E71500354169 | SPECCHIO RETROVISORE       | MIRROR                         |
| 13   | 1    | E00100722500 | MANIGLIA                   | RAIL HAND                      |
| 14   | 1    | E00100721100 | PARABREZZA                 | FRONT GLASS                    |
| 15   | 1    | E703B7804058 | PANTOGRAFO L=940 mm        | PANTOGRAPH WIPER ARM L=940 mm  |
| 15a  | 1    | E703S5403507 | SPAZZOLA 1000mm            | WIPER BLADE 1000 mm            |
| 16a  | 1    | E703KIT00001 | KIT FISSAGGIO              | FIX KIT                        |
| 17   | 1    | E703P790319  | GRUPPO TERGI               | WINDSCREEN WIPER MOTOR         |
| 18   | 1    | E703C0501165 | COPERTURA                  | COVER                          |
| 19   | 1    | E703TM022012 | VASCETTA TERGI             | WINDSHIELD WASHER              |
| 20   | 1    | E00100722300 | MANIGLIA                   | HANDLE                         |
| 21   | 12   | E30081208020 | VITE TC BOMB. EI 8,8 M8x20 | HEX. SOCKET BUTT ON HEAD M8x20 |
| 22   | 12   | E33041000M08 | GROWER M8                  | GROWER M8                      |
| 23   | 12   | E3301000M08  | RONDELLA PIANA M8          | WASHER M8                      |
| 24   | 1    | E00300720800 | TAPPETO                    | CARPET                         |
| 25   | 1    | E704DL733015 | MARTELLO S.O.S             | LIFE HAMMER                    |
| 26   | 1    | E71500200001 | SPECCHIO RETROVISORE       | MIRROR                         |





**ENERGREEN®**

ESPLOSO PORTA - DOOR EXPLODED VIEW

06-2007

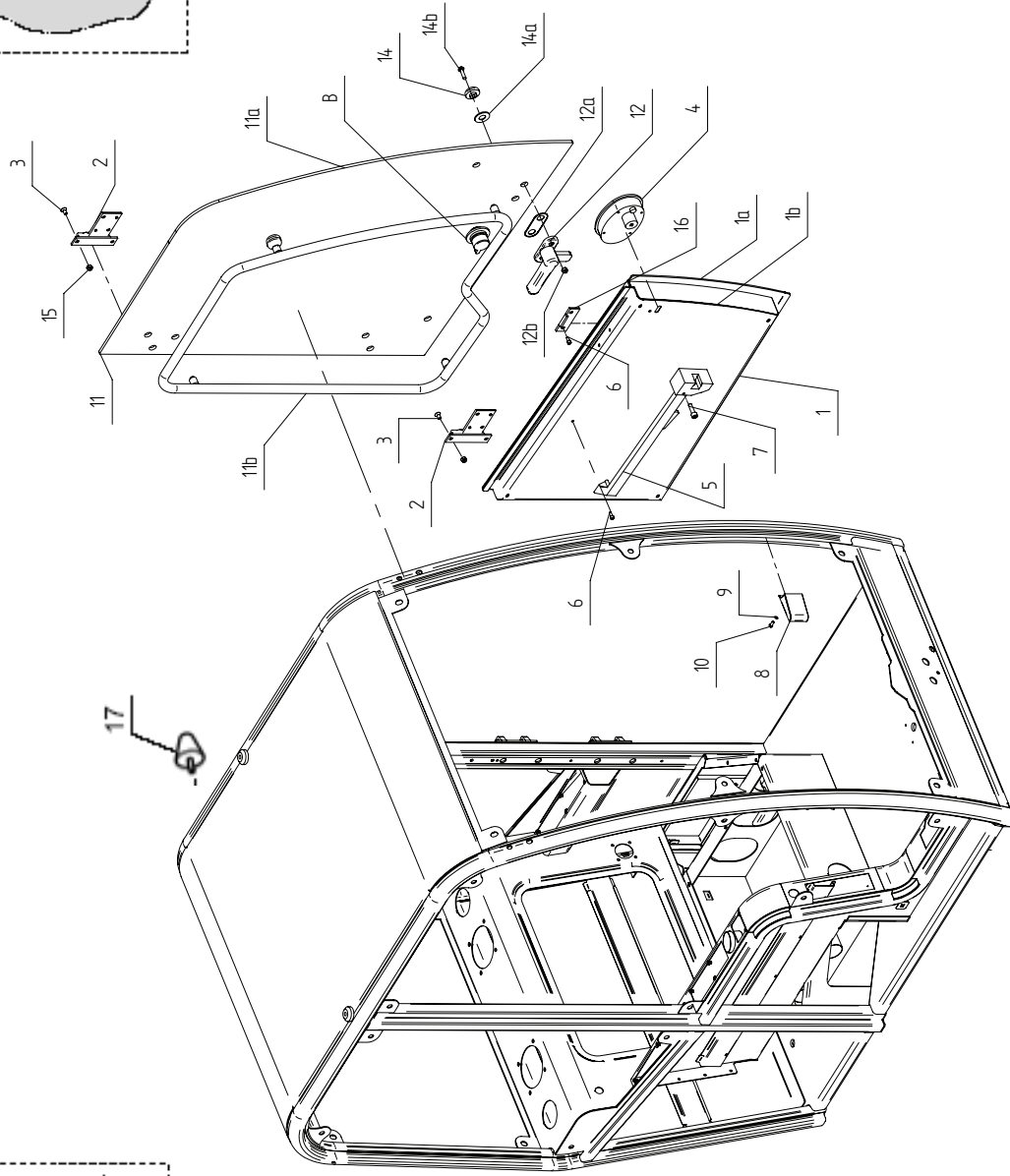
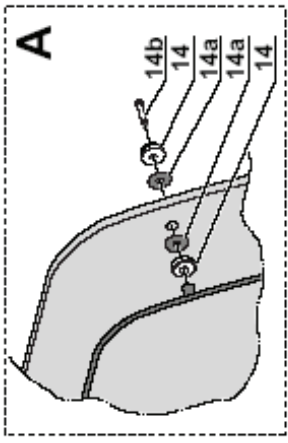
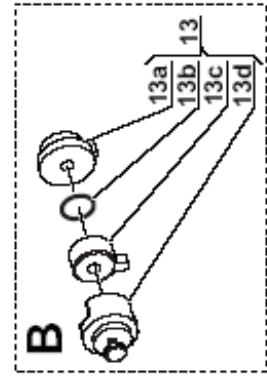
| Pos. | Q.tà | Cod.          | Descrizione                   | Description                  |
|------|------|---------------|-------------------------------|------------------------------|
| 1    |      | E00100700200  | PORTA COMPLETA                | DOOR                         |
| 1a   | 1    | E00100722600  | PORTA ESTERNA                 | EXTERIOR DOOR                |
| 1b   | 1    | E00100722700  | TAMBURATURA                   | COVER                        |
| 2    | 4    | E70601054U31  | CERNIERA                      | HINGE                        |
| 3    | 8    | E3004208016   | VITE TS EI M8x16              | SOCKET FLAT HEAD CAP M8x16   |
| 4    | 1    | E70558470909  | MANIGLIA ESTERNA              | EXTERIOR HANDLE WITH LOCK    |
| 5    | 1    | E705DL501036  | MANIGLIA INTERNA              | INTERIOR RAIL LOCK           |
| 6    | 3    | E3003206016   | VITE TC EI 8,8 M6x16          | HEX-SOCKET HEAD CAP M6x16    |
| 7    | 1    | E3003206030   | VITE TC EI 8,8 M6x30          | HEX-SOCKET HEAD CAP M6x30    |
| 8    | 1    | E705DL601025  | INCONTRO                      | BOLT STRIKER                 |
| 9    | 2    | E33011000M06  | RONDELLA PIANA M6             | WASHER M6                    |
| 10   | 2    | E3008206016   | VITE TC BOMB. EI M6x16        | HEX-SOCKET BUTTON HEAD M6x16 |
| 11   |      | E00100770900  | VETRO PORTA COMPLETO          | DOOR GLASS                   |
| 11a  | 1    | E00100721900  | VETRO LATERALE                | LATERAL GLASS                |
| 11b  | 1    | E00100722000  | SCORRIMANO                    | HANDLE                       |
| 12   | 1    | E70500145323  | MANIGLIA                      | WINDOWS CLOSING HANDLE       |
| 12a  | 1    | E71302498001  | GOMMINO                       | PVC GASKET                   |
| 12b  | 2    | E31020103008  | DADO MEDIO M8                 | HEXAGON NUTS M8              |
| 13   |      | E710BBPDSFKT  | FERMAPORTA                    | HANDLE PRESSING DOOR STOPPER |
| 13a  | 1    | E710BBPDSF02  | CORPO CENTRALE                | BODY                         |
| 13b  | 1    | E710BBP97330  | O-RING                        | O-RING                       |
| 13c  | 1    | E710BBP96140  | ANELLO                        | PVC RING                     |
| 13d  | 1    | E710BBPDSF01  | PERNO FERMAPORTA              | DOOR LOCK                    |
| 14   | 12   | E71302498DLP  | BORCHIA ES. INC.              | HEX. HOLE SITE PORTS         |
| 14a  | 12   | E71302498001  | GOMMINO                       | PVC GASKET                   |
| 14b  | 12   | E3001208040   | VITE TE 10,9 M8x40            | HEXAGON BOLT 10,9 M8x40      |
| 15   | 4    | E31050101008  | DADO AUT.OBLOC. M8            | HEXAGON LOCK-NUTS M8         |
| 16   | 1    | E70500138302  | RISCONTRO CHIUSURA FINESTRINO | BOLT STRIKER                 |
| 17   | 1    | E710170009050 | ANTIVIBRANTE CONICO           | SILENT BLOCK                 |



**ENERGREEN®**

Mod: IIFB2000

T 02.02.00

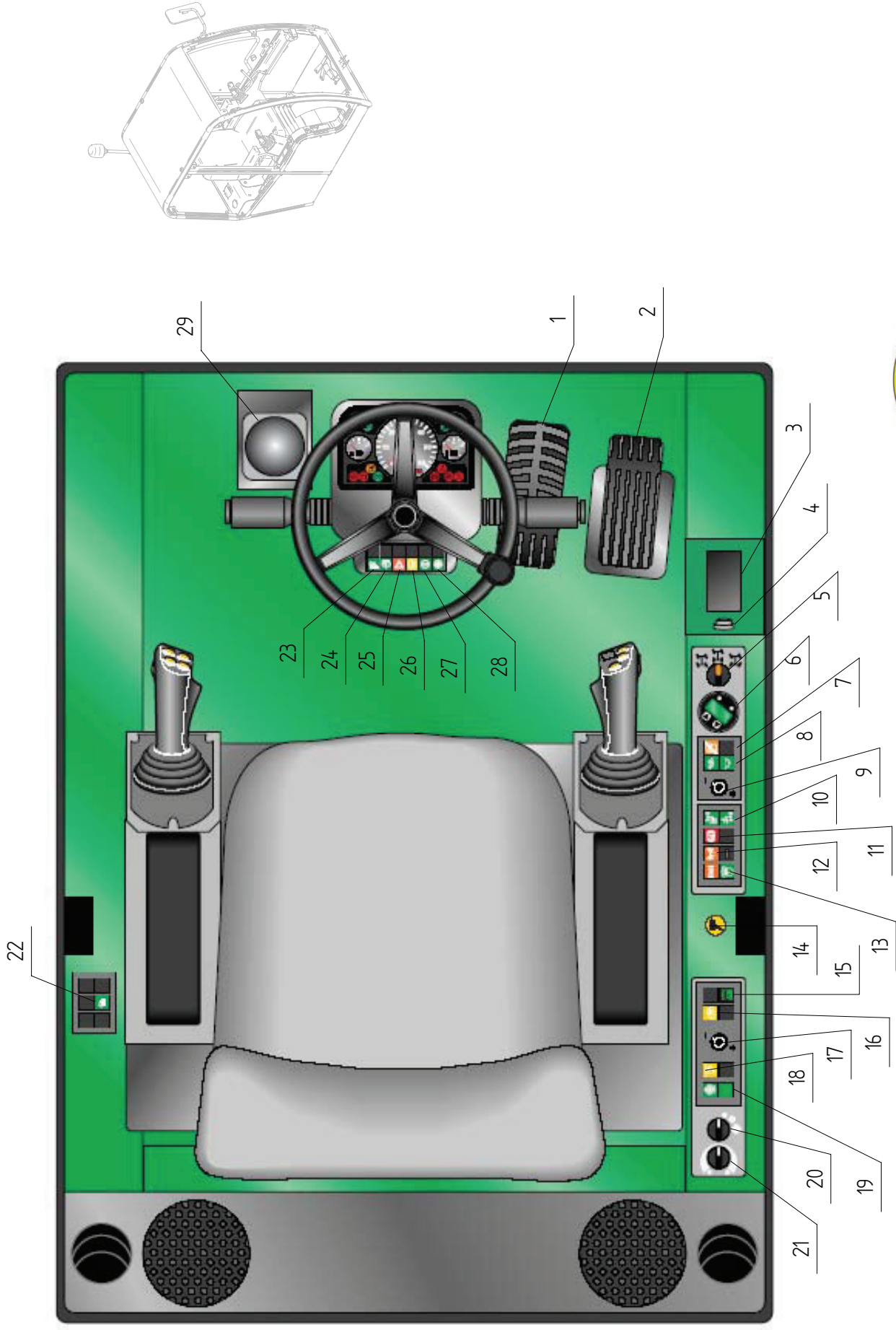


**ENERGREEN®**



| Pos. | Q.tà | Cod.          | Descrizione                                   | Description                               |
|------|------|---------------|---|---|
| 1    | 1    | E431016666L   | PEDALE FRENO                                  | BRAKE PEDAL                               |
| 2    | 1    | E747TPBSW001  | PEDALE ACCELERATORE                           | GAS PEDAL                                 |
| 3    | 1    | E74200180015  | COPERCHIO AUTORADIO                           | CAR HI-FI COVER                           |
| 4    | 1    | E70400008687  | ACCENDISIGARI                                 | CIGAR LIGHTER                             |
| 5    | 1    | E90305A00953  | SELETTORE STERZATURA                          | ROTARY SWITCH                             |
| 6    | 1    | E7080RE78165  | DIAGNOSTICA JD                                | CHECK PANNEL                              |
| 7    | 1    | E7085101IRA   | INTER. RITARDO ARRESTO                        | SWITCH ENGINE                             |
| 8    | 1    | E70811PS0VC   | SPIE MARCIA                                   | LIGHT GEAR                                |
| 9    | 1    | E942RE192470  | POTENZIOMETRO MOTORE                          | ENGINE POTI                               |
| 10   | 1    | E708511PS0FR  | SPIE ASSALE F-R                               | F-R AXLES INDICATOR                       |
| 11   | 1    | E708511011FP  | INTER. FRENO PARK                             | SWITCH BRAKE                              |
| 12   | 1    | E708511B2PBA  | INTER. BLOCCO ASSALE                          | SWITCH AXLE BLOCKED                       |
| 13   | 1    | E708511PS0DC  | SPIE BLOCCO DIFFERENZIALE E BLOCCAGGIO CABINA | DIFFERENTIAL BLOCK AND CAB LOCK INDICATOR |
| 14   | 1    | E708511PS0FF  | SPIA FLOTTANTE FRESA                          | LIGHT HEAD CUTTING SUSPENSION             |
| 15   | 1    | E708511PS0ZM  | SPIA ZAVORRA MOBILE                           | LIGHT COUNTERWEIGHT                       |
| 16   | 1    | E70851103PMF  | INTER. MOTORE TESTATA                         | SWITCH CUTTER ENGINE                      |
| 17   | 1    | E942RE192470  | POTENZIOMETRO MOTORE FRESA                    | HEAD CUTTING ENGINE POTI                  |
| 18   | 1    | E70851102PFB  | INTER. FLOTTANTE BRACCIO                      | SWITCH ARM SUSPENSION                     |
| 19   | 1    | E70851101IVR  | INTER. VENTOLA REV.                           | REVERSIBLE FLOW SWITCH                    |
| 20   | 1    | E74400068007  | SELETTORE VELOCITA' VENTOLA                   | AIR FLOW SPEED                            |
| 21   | 1    | E744001201724 | SELETTORE ARIA CONDIZINATA                    | POTI AC                                   |
| 22   | 1    | E70851163PFL  | INTERR. FARILAVORO                            | SWITCH WORK LIGHTS                        |
| 23   | 1    | E70851162PFE  | INTERR. GIROFARO                              | SWITCH WARNING                            |
| 24   | 1    | E7085112PITG  | INTERR. TEGICRISTALLO                         | SWITCH WINDSHIELD                         |
| 25   | 1    | E70851162PFE  | INTER. WARNING                                | SWITCH WARNING                            |
| 26   | 1    | E70851102PRN  | INTER. RETRO NEBBIA                           | SWITCH FOG LIGHT                          |
| 27   | 1    | E70851102PWM  | INTER. WORKING MODE                           | SWITCH WORKING MODE                       |
| 28   | 1    | E70851102PCL  | INTER. AC                                     | SWITCH AC                                 |
| 29   | 1    | E903RM04090N  | PEDALE BLOCCO DIFFERENZIALE                   | DIFFERENTIAL PEDAL BLOCK                  |


**ENERGREEN®**



**ENERGREEN®**

IMPIANTO DI CLIMATIZZAZIONE - AIR CONDITIONING SYSTEM

06-2007

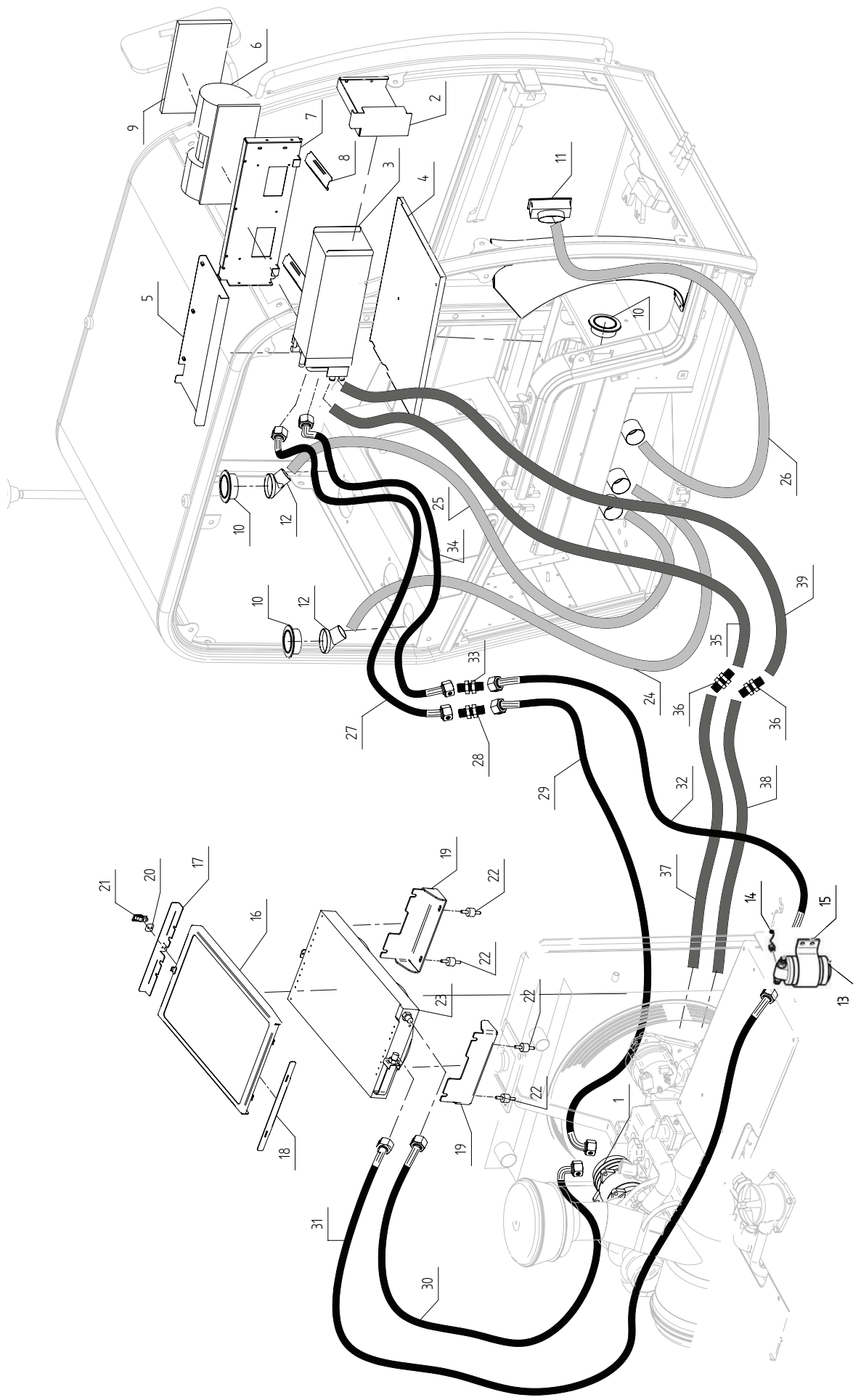
| Pos. | Q.tà | Cod.         | Descrizione                    | Description             |
|------|------|--------------|--------------------------------|-------------------------|
| 1    | 1    | E515JDAITF04 | COMPRESSORE AC                 | COMPRESSOR AC           |
| 2    | 1    | E00702720100 | FERMO POSTERIORE PER RADIATORE | REAR SUPPORT            |
| 3    | 1    | E71403CV8220 | RADIATORE RISC/RAFFR           | EVAPORATOR              |
| 4    | 1    | E00302720900 | VASCA DI RACCOLTA              | PLATE                   |
| 5    | 1    | E00302770100 | COPERTURA COMPLETA             | COVER                   |
| 6    | 1    | E71400054095 | MOTORE ARIA                    | FAN MOTOR               |
| 7    | 1    | E00302720800 | SUPPORTO MOTORE                | MOTOR MOUNT             |
| 8    | 2    | E00302721700 | SUPPORTO RADIATORE             | SUPPORT                 |
| 9    | 1    | E20401041003 | FILTRO ARIA                    | AIR FILTER              |
| 10   | 3    | E71401012006 | PRESA ARIA ø100                | AIR INLET ø100          |
| 11   | 1    | E71451203121 | PRESA ARIA 2"                  | AIR INLET 2"            |
| 12   | 2    | E71401012009 | RACCORDO 45°                   | 45° PLATIC FITTING      |
| 13   | 1    | E7140101101  | FILTRO DEIDRATATORE            | AC RECEIVER DRIES       |
| 14   | 1    | E71400109701 | PRESSOSTATO                    | PRESSURE SWITCH         |
| 15   | 1    | E7140100201  | STAFFA PER FILTRO              | BRACKET                 |
| 16   | 1    | E00702720500 | RETE PROTETTIVA                | COVER                   |
| 17   | 1    | E00702720200 | STAFFA SUP.                    | UPPER SUPPORT           |
| 18   | 1    | E00702720400 | STAFFA INF.                    | LOWER SUPPORT           |
| 19   | 2    | E00402720000 | SUPPORTO RADIATORE             | SUPPORT                 |
| 20   | 1    | E00702720700 | SPESSORE                       | PLATE                   |
| 21   | 1    | E7056000U422 | SERRATURA                      | HINGE                   |
| 22   | 4    | E342M0252008 | ANTIVIBRANTE ø25 H=20          | SILENT BLOCK ø25 H=20   |
| 23   | 1    | E714A00229ES | CONDENSATORE ELETTROVENTILATO  | COIL CONDENSER          |
| 24   | 1    | E627AC       | TUBO ARIA ø60                  | HOSE ASSY ø60           |
| 25   | 1    | E627AC       | TUBO ARIA ø60                  | HOSE ASSY ø60           |
| 26   | 1    | E627AC       | TUBO ARIA ø60                  | HOSE ASSY ø60           |
| 27   | 1    | E627AC       | TUBO AC G10                    | HOSE LIQUID G10         |
| 28   | 1    | E71401141302 | PASSAPARETE G10                | SHEET ADAPTOR WATER G10 |
| 29   | 1    | E627AC       | TUBO AC G10                    | HOSE LIQUID G10         |
| 30   | 1    | E627AC       | TUBO AC G08                    | HOSE LIQUID G08         |
| 31   | 1    | E627AC       | TUBO AC G06                    | HOSE LIQUID G06         |
| 32   | 1    | E627AC       | TUBO AC G06                    | HOSE LIQUID G06         |
| 33   | 1    | E71401141301 | PASSAPARETE G06                | SHEET ADAPTOR WATER G06 |
| 34   | 1    | E627AC       | TUBO AC G06                    | HOSE AC G06             |
| 35   | 1    | E627AC       | MANDATA ACQUA                  | HOSE SUCTION            |
| 36   | 2    | E71401141304 | PASSAPARETE                    | SHEET ADAPTOR WATER     |
| 37   | 1    | E627AC       | MANDATA ACQUA                  | HOSE SUCTION            |
| 38   | 1    | E627AC       | RITORNO ACQUA                  | HOSE RETURN             |
| 39   | 1    | E627AC       | RITORNO ACQUA                  | HOSE RETURN             |



**ENERGREEN®**

Mod: ILFB2000

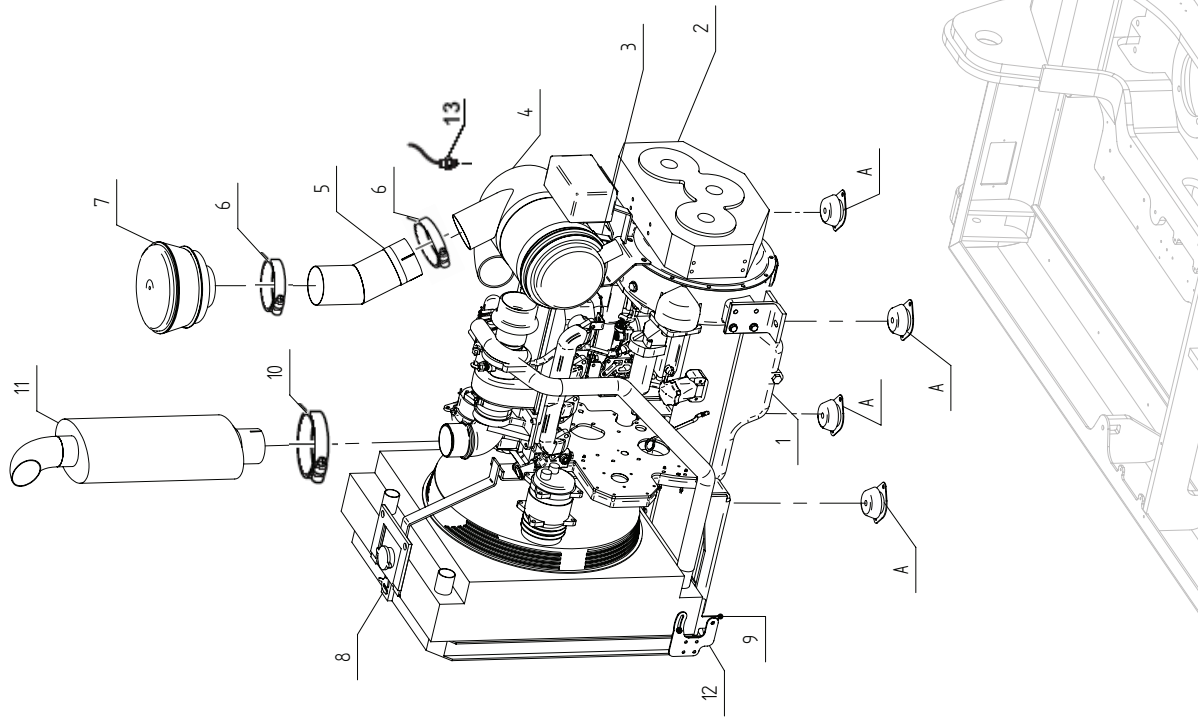
T 02.04.00



**ENERGREEN**®

| Pos. | Q.tà | Cod.         | Descrizione                    | Description            |
|------|------|--------------|--------------------------------|------------------------|
| 1    |      | E515JDA2HF03 | MOTORE JONH DEERE 4045TF 140HP | ENGINE ASSY            |
| 2    | 1    | E5102VAM220B | ACCOPPIATORE AM220 B           | DOBLE HYDR. PUMP DRIVE |
| 3    | 1    | E00302520500 | SUPPORTO                       | SUPPORT                |
| 4    | 1    | E00402500300 | FILTRO ARIA                    | AIR FILTER ASSY        |
| 5    | 1    | E00702520000 | TUBO ASPIRAZIONE               | HOSE AIR               |
| 6    | 2    | E3141100120  | FASCETTA 100/120               | CLAMP HOSE 100/120     |
| 7    | 1    | E00102520600 | PREFILTRO CICLONE              | CYCLON AIR FILTER      |
| 8    | 1    | E00302523700 | GANCIO CHIUSURA RADIATORE      | HANDLE                 |
| 9    | 1    | E00302523400 | FERMO PER RADIATORE            | LOCK                   |
| 10   | 1    | E31451000106 | FASCETTA G106                  | CLAMP HOSE G106        |
| 11   | 1    | E00302520000 | MARMITTA                       | MUFFLER                |
| 12   | 1    | E00302523500 | ORECCHIA ROTAZ. RADIATORE      | SUPPORT                |
| 13   | 1    | E515A0277050 | PRESSOSTATO INT. ARIA          | AIR FILTER SENDER      |
| 14   | 4    | E3402031050  | ANTIVIBRANTE                   | SILENT-BLOCK           |
| 15   | 16   | E33011000M10 | RONDELLA M10                   | WASHER M10             |
| 16   | 8    | E30011310040 | VITE TE 10,9 M10x40            | HEX. BOLT M10x40       |
| 17   | 8    | E31120102010 | DADO AUTOB. M10                | HEX. LOCK NUT M10      |
| 18   | 4    | E30011314040 | VITE TE 10,9 M14x40            | HEX. BOLT M14x40       |
| 19   | 4    | E33011000M14 | RONDELLA M14                   | WASHER M14             |
| 20   | 4    | E31120102014 | DADO AUTOB. M14                | HEX. LOCK NUT M14      |

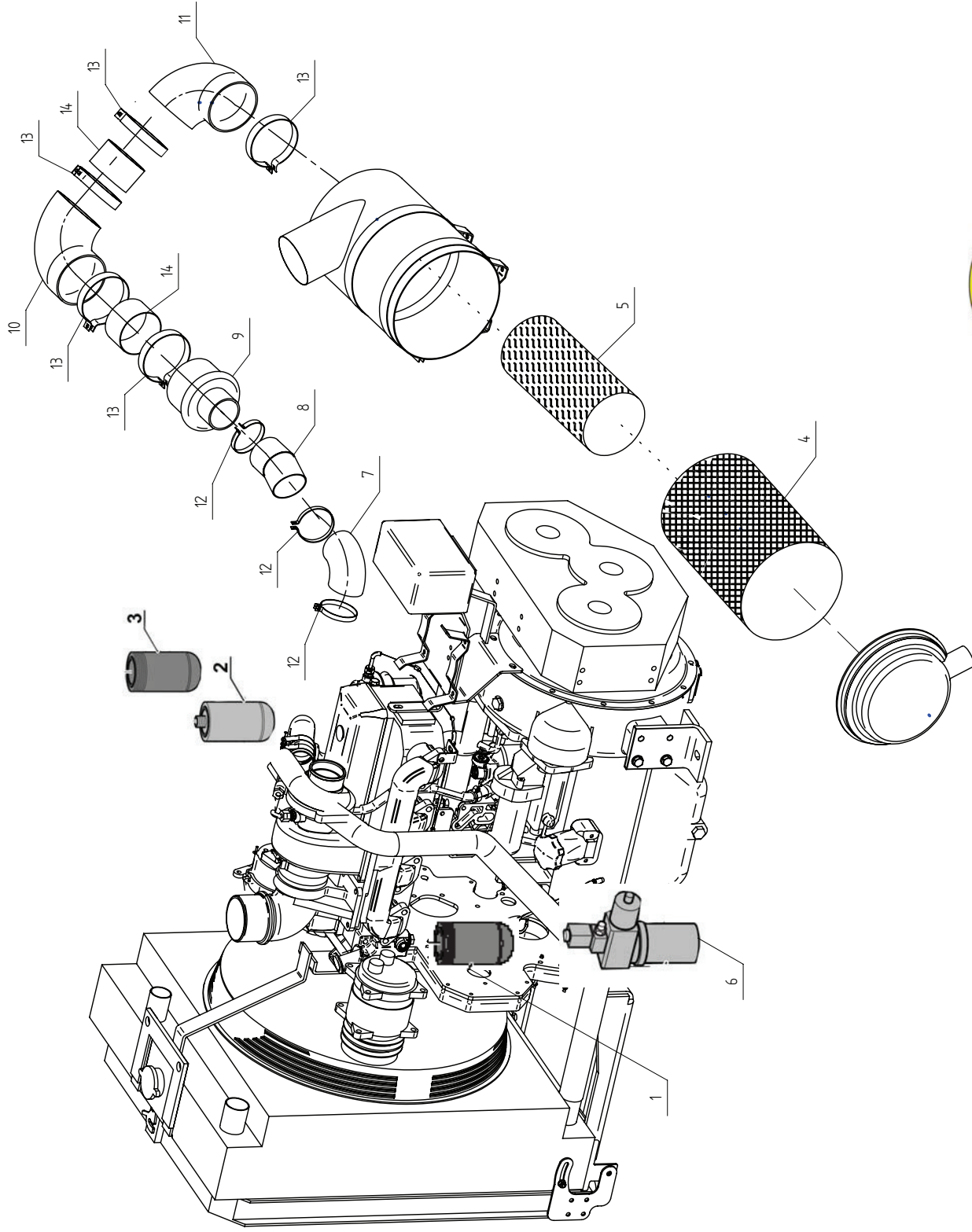




**ENERGREEN®**

| Pos. | Q.tà | Cod.          | Descrizione                  | Description                |
|------|------|---------------|------------------------------|----------------------------|
| 1    | 1    | E204RE517181  | PREFILTRO GASOLIO            | GASOIL PREFILTER           |
| 2    | 1    | E204RE509031  | FILTRO GASOLIO               | GASOIL FILTER              |
| 3    | 1    | E204RE504836  | FILTRO OLIO                  | OIL FILTER                 |
| 4    | 1    | E204JX777638  | CARTUCCIA PRIMARIA           | MAIN ELEMENT               |
| 5    | 1    | E204JP777639  | CARTUCCIA SECONDARIA         | SAFETY ELEMENT             |
| 6    | 1    | E515A03CF 12V | COMPRESSORE VENT. (OPT.)     | COMPRESSOR AIR (OPT.)      |
| 7    | 1    | E00302522000  | CURVA 90° ø75                | HOSE AIR INTAKE            |
| 8    | 1    | E00702520900  | INNESTO PER TUBO FILTRO ARIA | AIR FILTER HOSE CONNECTION |
| 9    | 1    | E00302521800  | RIDUZIONE ø75 - ø120         | HOSE AIR INTAKE            |
| 10   | 1    | E00302521700  | CURVA 90° ø120               | HOSE AIR INTAKE            |
| 11   | 1    | E00302521600  | CURVA 90° ø120               | HOSE AIR INTAKE            |
| 12   | 3    | E3141077095   | FASCETTA 77/95               | CLAMP HOSE 77/95           |
| 13   | 5    | E3141087112   | FASCETTA 87/112              | CLAMP HOSE 87/112          |
| 14   | 2    | E00302522100  | TUBO ø101L=60                | HOSE ø101L=60              |


**ENERGREEN®**

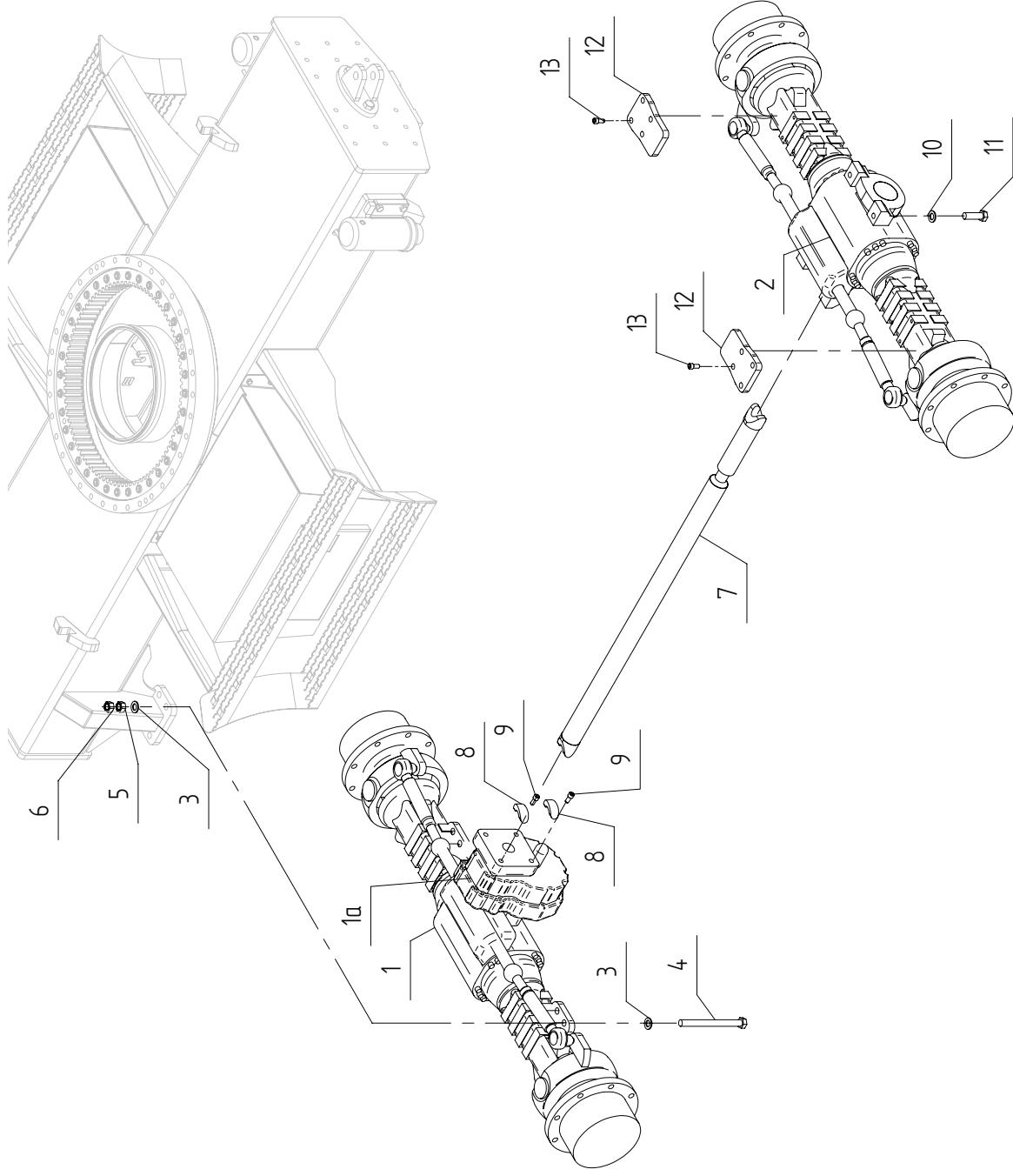


**ENERGREEN®**



| Pos. | Q.tà | Cod.         | Descrizione             | Description                 |
|------|------|--------------|-------------------------|-----------------------------|
| 1    | 1    | E50101212446 | ASSALE POSTERIORE       | REAR AXLE                   |
| 1a   | 1    | E50901357224 | RIDUTTORE               | DROP BOX                    |
| 2    | 1    | E50103212224 | ASSALE ANTERIORE        | FRONT AXLE                  |
| 3    | 16   | E33011000M24 | RONDELLA PIANA M24      | WASHER M24                  |
| 4    | 8    | E00100120800 | PERNO FISSAGGIO ASSALI  | PIVOT                       |
| 5    | 8    | E31020102024 | DADO M24                | HEX. NUT M24                |
| 6    | 8    | E3110102024  | DADO AUTOBLOC. M24      | HEX. LOCK-NUT M24           |
| 7    | 1    | E51410161717 | ALBERO                  | DRIVESHAFT                  |
| 8    | 1    | E514AEY1410  | CAVALLOTTO              | CLEVIS                      |
| 9    | 1    | E514A2516U20 | VITE                    | BOLT                        |
| 10   | 4    | E33011000M20 | RONDELLA                | WASHER M20                  |
| 11   | 4    | E30021320130 | VITE TE PF 10,9 M20x130 | HEX. BOLT M20x130           |
| 12   | 2    | E00200121000 | PIASTRA                 | SLAB                        |
| 13   | 6    | E30031314030 | VITE TCEIM14x30         | HEX. SOCKET HEAD CAP M14x30 |


**ENERGREEN®**



**ENERGREEN®**

RUOTE - NARROW COMPLETE WHEEL

06-2007

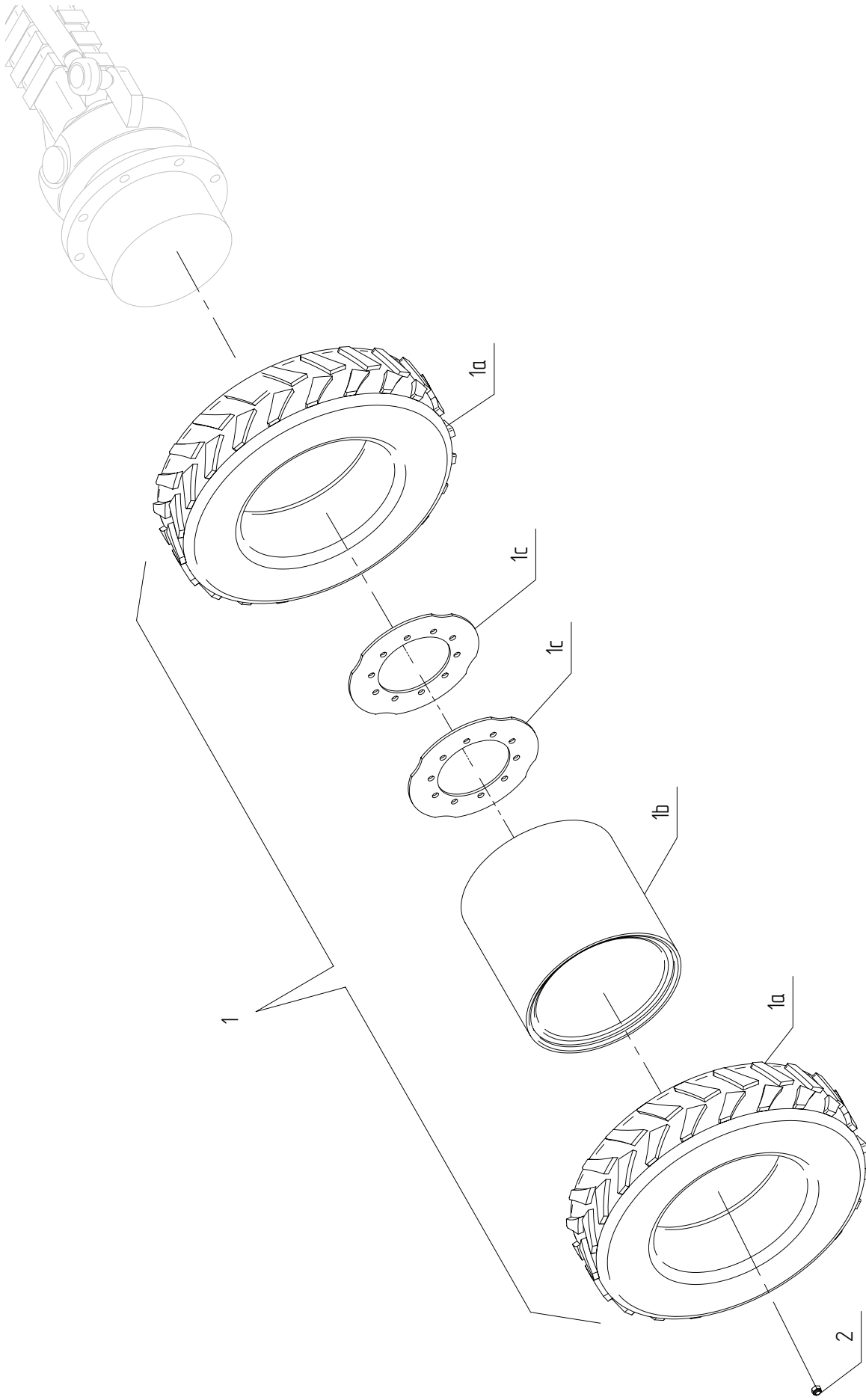
| Pos. | Q.tà | Cod.          | Descrizione                        | Description           |
|------|------|---------------|------------------------------------|-----------------------|
| 1    | 4    | E5024160BN38  | RUOTE GEMELLATE 10,00x20 16TL NB38 | NARROW COMPLETE WHEEL |
| 1a   |      | E5049002014P  | PNEUMATICO                         | WHEEL                 |
| 1b   |      | E50200000003  | CERCHIO                            | NARROW                |
| 1c   |      | E502000000002 | FLANGIA CERCHIO                    | FLANGE                |
| 2    | 8    | E31150100M22  | DADO M22                           | NUT M22               |



**ENERGREEN®**

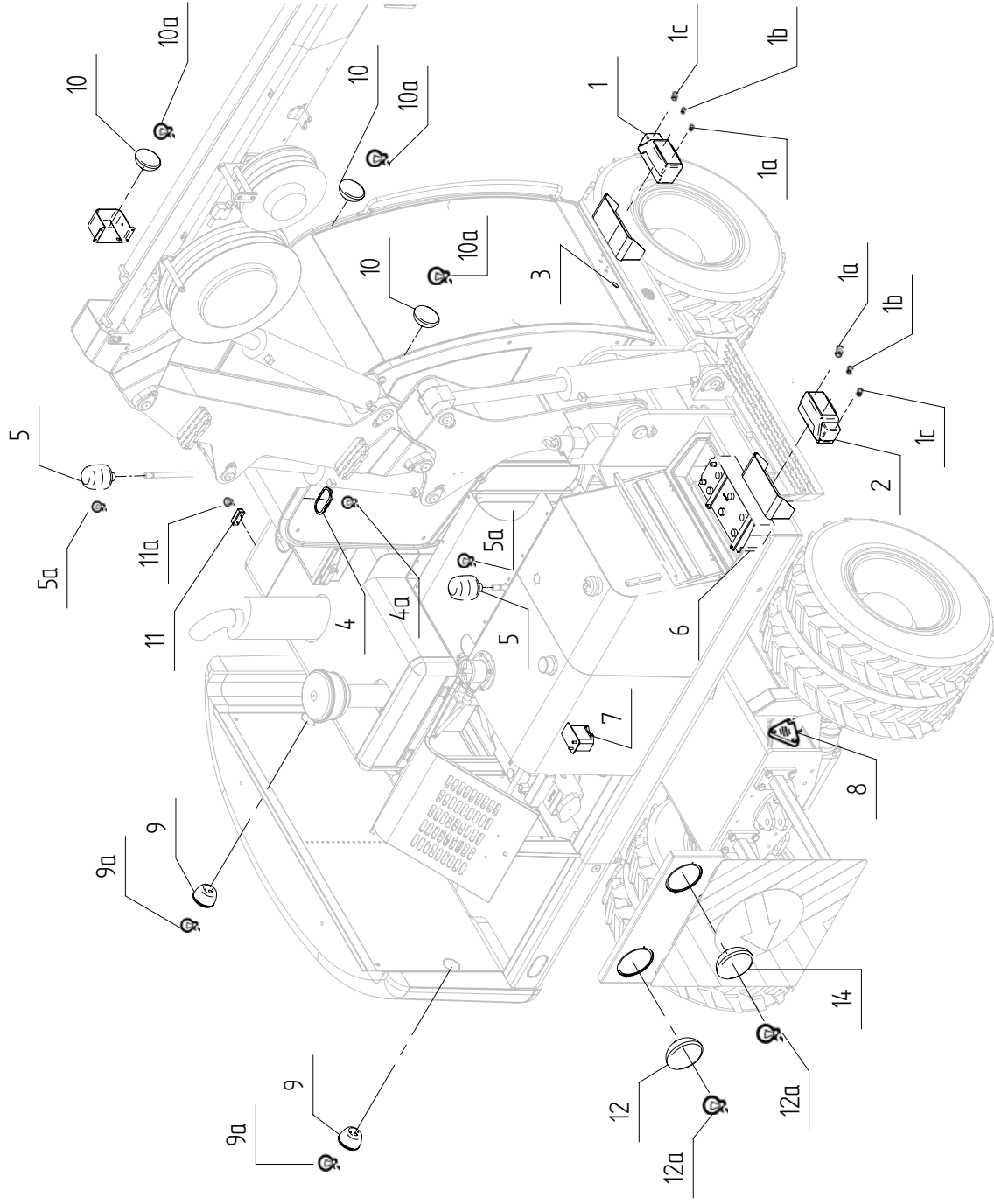
Mod: ILFB2000

T 03.04.00



| P.os. | Q.tà | Cod.          | Descrizione         | Description                      |
|-------|------|---------------|---------------------|----------------------------------|
| 1     | 1    | E9010110442   | FANALE ANT. SX      | HEADLAMP WITH LEFT FLASHER LAMP  |
| 1a    | 1    | E90106605501  | LAMPADA 60/55 H4    | BULB 60/55 H4                    |
| 1b    | 1    | E90106600409  | LAMPADA 4W 12V      | BULB 4W 12V                      |
| 1c    | 1    | E901066002105 | LAMPADA 21W 12V     | BULB 21W 12V                     |
| 2     | 1    | E9010110441   | FANALE ANT. DX      | HEADLAMP WITH RIGHT FLASHER LAMP |
| 3     | 1    | E910PRSF0001  | PRESA 1POLO         | FEMALE 1PLUG                     |
| 4     | 1    | E90103PL1005  | PLAFONIERA          | DOME LAMP                        |
| 4a    | 1    | E90106601005  | LAMPADA 10W 12V     | BULB 10W 12V                     |
| 5     | 2    | E90235089013  | GIROFARO            | STERN FIXING ROTATING            |
| 5a    | 2    | E901066005510 | LAMPADA 55W 12V     | BULB 55W 12V                     |
| 6     | 1    | E9051200850A  | BATTERIA 12V        | BATTERY 12V                      |
| 7     | 1    | E90620809460  | STACCABATTERIA 12V  | BATTERY SWITCH                   |
| 8     | 1    | E9040109812V  | BUZZER RETROMARCIA  | BACK-UP ALLARM                   |
| 9     | 2    | E9000000010   | FANALE POSTERIORE   | REAR LAMP                        |
| 9a    | 3    | E901066002105 | LAMPADA 21W 12V     | BULB 21W 12V                     |
| 9b    | 2    | E901066000505 | LAMPADA 5W 12V      | BULB 5W 12V                      |
| 10    | 3    | E90104FL5512  | FARO LAVORO         | WORKLAMP                         |
| 10a   | 3    | E901066005512 | LAMPADA 55W 12V     | BULB 55W 12V                     |
| 11    | 1    | E90107LT0506  | LUCE TARGA          | PLATE LIGHT                      |
| 11a   | 1    | E901066000506 | LAMPADA 5W 12V      | BULB 5W 12V                      |
| 12    | 2    | E9010521012V  | FARI CANTIERE LAMP. | WORKLAMP                         |
| 12a   | 2    | E901066002013 | LAMPADA 20W 12V     | BULB 20W 12V                     |


**ENERGREEN®**



## FISSAGGIO PRIMO BRACCIO – FIRST ARM MOUNTING

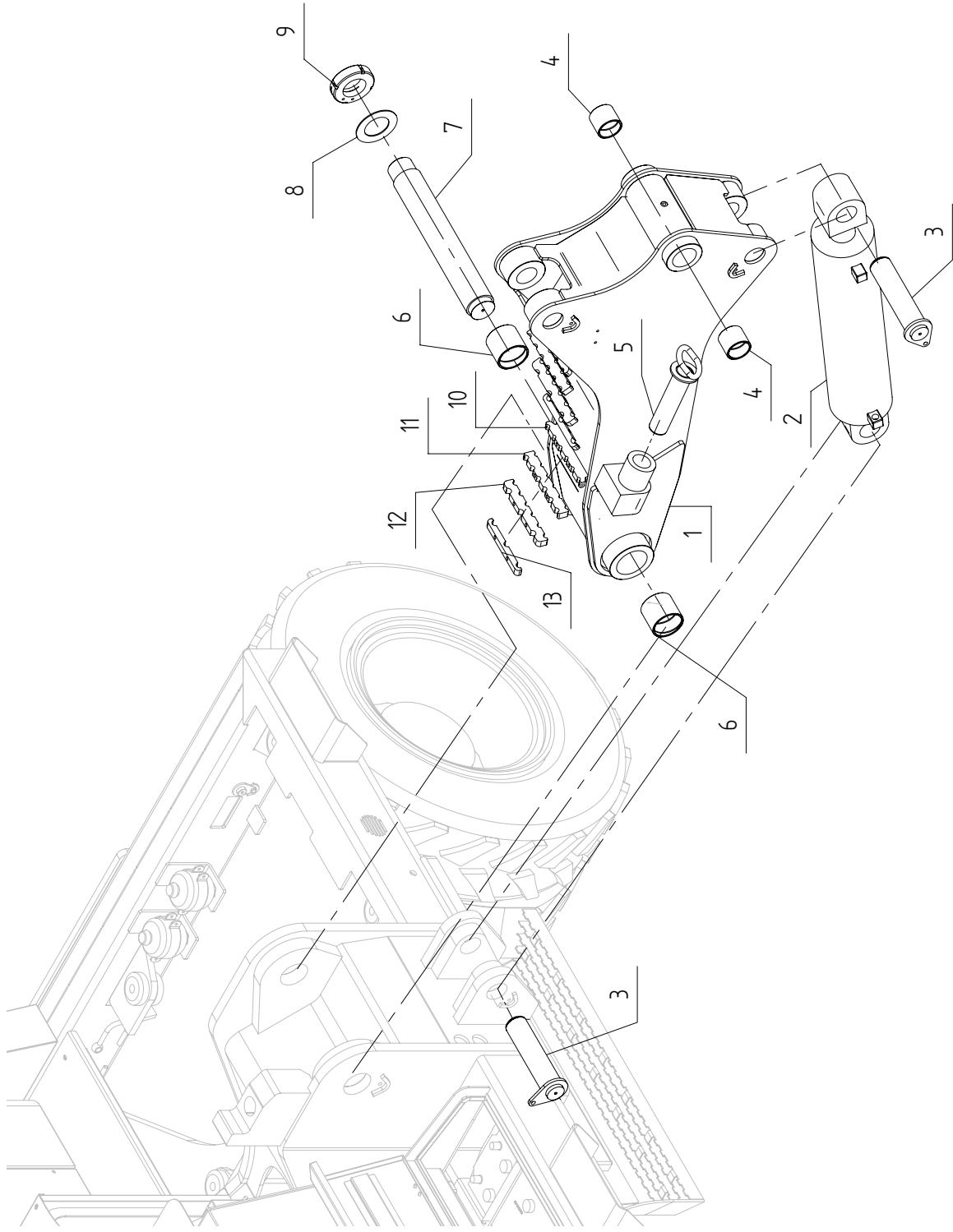
06-2007

| Pos. | Q.tà | Cod.         | Descrizione         | Description         |
|------|------|--------------|---------------------|---------------------|
| 1    | 1    | E00200920000 | PRIMO BRACCIO       | FIRST ARM           |
| 2    | 1    | E00201720000 | CILINDRO 140/70/600 | CYLINDER 140/70/600 |
| 3    | 2    | E80416026501 | PERNO Ø 60 L = 265  | PIVOT Ø 60 L = 265  |
| 4    | 2    | E80104706060 | BOCCOLA Ø70Ø60 H60  | BUSHES Ø70Ø60 H60   |
| 5    | 1    | E00202021100 | PERNO DI BLOCCO     | LOCK PIVOT          |
| 6    | 2    | E80104908080 | BOCCOLA Ø90Ø80 L80  | BUSHES Ø90Ø80 L80   |
| 7    | 1    | E00200920300 | PERNO Ø 80 L = 550  | PIVOT Ø 80 L = 550  |
| 8    | 1    | E00200920400 | FERMAPERNO          | LOCK                |
| 9    | 1    | E00200920500 | GHIERA              | LOCK RING           |
| 10   | 2    | E00200920600 | FERMATUBO Ø12       | CLAMP Ø12           |
| 11   | 2    | E00200920700 | FERMATUBO Ø12-16    | CLAMP Ø12-16        |
| 12   | 2    | E00200920800 | FERMATUBO Ø16-20    | CLAMP Ø16-20        |
| 13   | 2    | E00200920900 | FERMATUBO Ø20       | CLAMP Ø20           |


**ENERGREEN®**

Mod: ILFB2000

T 05.01.00



**ENERGREEN®**



## FISSAGGIO SECONDO BRACCIO - SECOND ARM MOUNTING

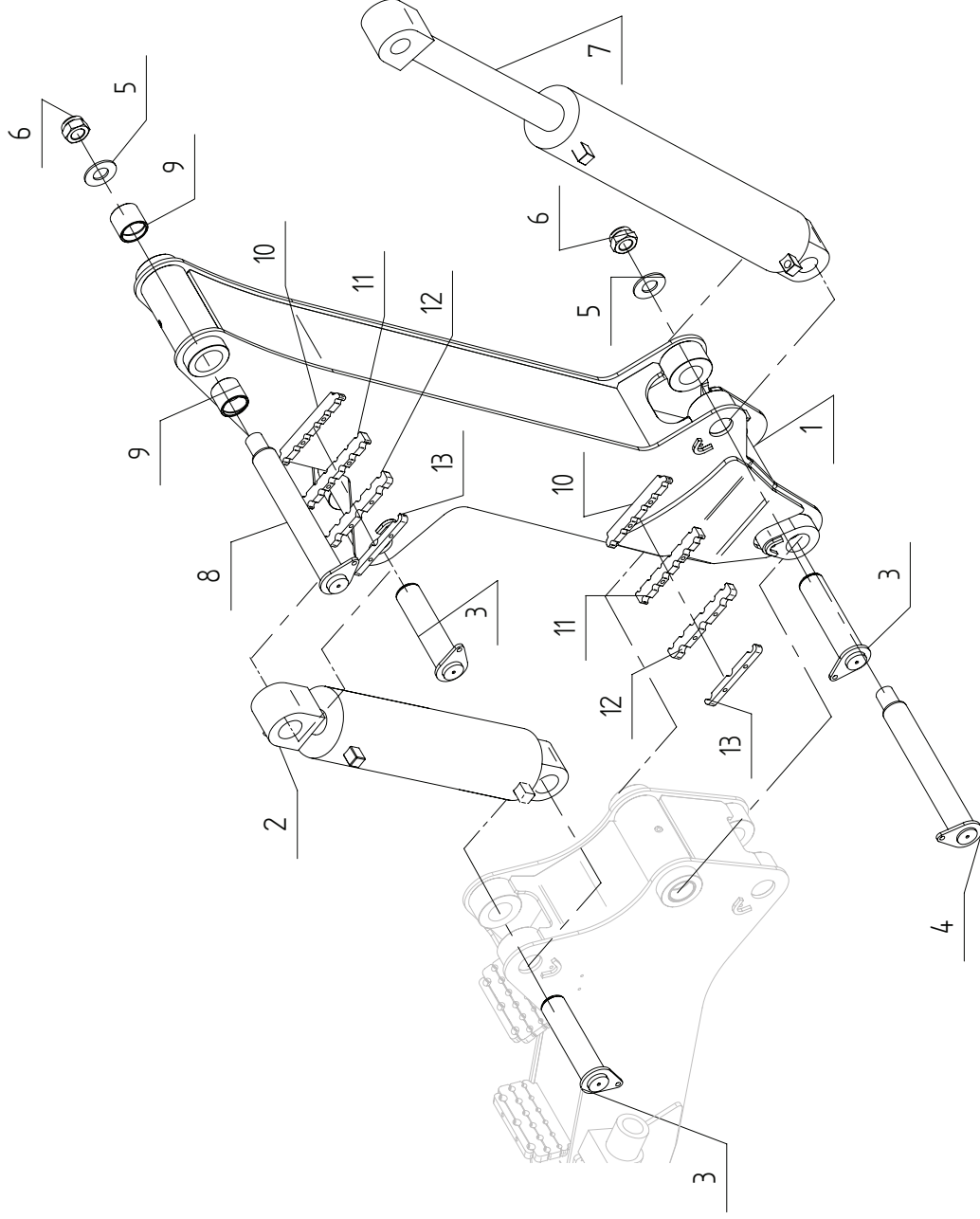
06-2007

| Pos. | Q.tà | Cod.         | Descrizione          | Description         |
|------|------|--------------|----------------------|---------------------|
| 1    | 1    | E00201020000 | SECONDO BRACCIO      | SECOND ARM          |
| 2    | 1    | E00201820100 | CILINDRO 140/60/500  | CYLINDER 140/60/500 |
| 3    | 3    | E80416026501 | PERNO Ø60 L=265      | PIVOT Ø60 L=265     |
| 4    | 1    | E80436059501 | PERNO Ø60 L=595      | PIVOT Ø60 L=595     |
| 5    | 2    | E3301000M36  | RONDELLA M36         | WASHER M36          |
| 6    | 2    | E310501036   | DADO AUTOBL. M36     | LOCK NUT M36        |
| 7    | 1    | E00201820000 | CILINDRO 130/70/800  | CYLINDER 130/70/800 |
| 8    | 1    | E80436060501 | PERNO Ø60 L=605      | PIVOT Ø60 L=605     |
| 9    | 2    | E8010706060  | BOCCOLA Ø70 Ø60 H=60 | BUSHES Ø70 Ø60 H=60 |
| 10   | 2    | E00200920600 | FERMATUBO Ø12        | CLAMP Ø12           |
| 11   | 2    | E00200920700 | FERMATUBO Ø12-16     | CLAMP Ø12-16        |
| 12   | 2    | E00200920800 | FERMATUBO Ø16-20     | CLAMP Ø16-20        |
| 13   | 2    | E00200920900 | FERMATUBO Ø20        | CLAMP Ø20           |


**ENERGREEN®**

Mod: ILFB2000

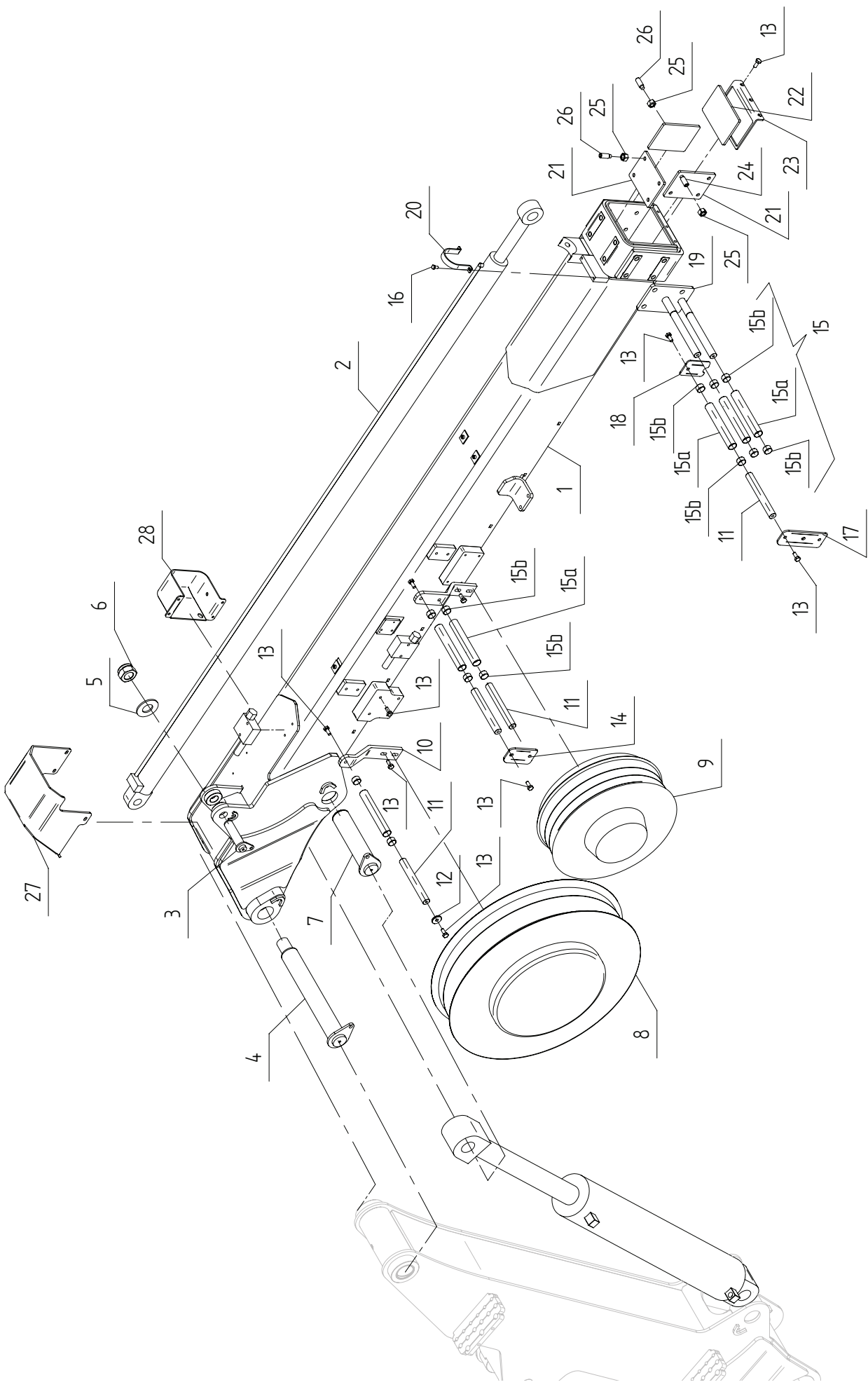
T 05.02.00



**ENERGREEN®**

| Pos. | Q.tà | Cod.         | Descrizione                  | Description                      |
|------|------|--------------|------------------------------|----------------------------------|
| 1    | 1    | E0020120000  | BRACCIO TELESCOPICO          | TELESCOPIC ARM                   |
| 2    | 1    | E0020920000  | CILINDRO 60/40/2450          | CYLINDER 60/40/2450              |
| 3    | 1    | E80413013001 | PERNO Ø 30 L = 130           | PIVOT Ø 30 L = 130               |
| 4    | 1    | E80436060501 | PERNO Ø 60 L = 605           | PIVOT Ø 60 L = 605               |
| 5    | 1    | E3301000M36  | RONDELLA M36                 | WASHER M36                       |
| 6    | 1    | E31050101036 | DADO AUTOBLOCCANTE M36       | LOCK NUT M36                     |
| 7    | 1    | E80416026501 | PERNO Ø 60 L = 265           | PIVOT Ø 60 L = 265               |
| 8    | 1    | A3D70019     | AVVOLGITUBO Ø720             | HOLE REEL Ø720                   |
| 9    | 1    | A6D470-10-B1 | AVVOLGITUBO                  | HOLE REEL                        |
| 10   | 2    | E0020124000  | SUPPORTO                     | SUPPORT                          |
| 11   | 4    | E0030125700  | PERNO                        | PIVOT                            |
| 12   | 1    | E0020124300  | RONDELLA                     | WASHER                           |
| 13   | 21   | E30021310025 | VITE TE M10 x 25 - 10,9      | HEX. BOLT M10x25 - 10,9          |
| 14   | 1    | E0020124200  | PIEGATO                      | FOLDED                           |
| 15   | 6    | E0030102100  | RULLO TUBIFLEX               | HOSE SUPPORT                     |
| 15a  | 1    | E0030125800  | TUBO Ø30                     | HOSE Ø30                         |
| 15b  | 2    | E3901252815  | CUSCINETTO CILINDRICO        | CILINDRIC BEARING                |
| 16   | 2    | E30011308016 | VITE TE IF M8 x 16 - 10,9    | HEXAGON BOLT M8x16 - 10,9        |
| 17   | 1    | E0030125500  | PIEGATO                      | FOLDED                           |
| 18   | 1    | E0030125600  | PIEGATO                      | FOLDED                           |
| 19   | 1    | E0020124700  | SUPPORTO TUBI                | HOSE SUPPORT                     |
| 20   | 1    | E0020123200  | CAVALLOTTO                   | CLAMP                            |
| 21   | 3    | E0020121900  | PATTINO                      | PLATE                            |
| 22   | 1    | E0020120600  | PATTINO INF. 175x120         | LOWER PLATE 175x120              |
| 23   | 1    | E0020123300  | CORNICE PORTAPATTINO         | FRAME                            |
| 24   | 4    | E30071416045 | VITE ST EI PUNTA CIL. M16X45 | HEXAGON SOCKET SET SCREWS M16x45 |
| 25   | 12   | E31020103016 | DADO MEDIO M16 - 10,9        | NUT M16 - 10,9                   |
| 26   | 8    | E30071416035 | VITE ST EI PUNTA CIL. M16X35 | HEXAGON SOCKET SET SCREWS M16x35 |
| 27   | 1    | E0020125500  | PROTEZIONE TUBI              | COVER                            |
| 28   | 1    | E0020124600  | COPERTURA FANALE (OPTIONAL)  | HEADLAMP COVER (OPTIONAL)        |


**ENERGREEN®**



**ENERGREEN®**

## PRIMO SFILO - FIRST TELESCOPIC ARM MOUNTING

06-2007

| Pos. | Q.tà | Cod.         | Descrizione                  | Description                       |
|------|------|--------------|------------------------------|-----------------------------------|
| 1    | 1    | E00201120100 | PRIMO SFILO                  | FIRST TELESCOPIC ARM              |
| 2    | 3    | E00301125200 | PATTINO POST. 140x80         | REAR PLATE 140x80                 |
| 3    | 1    | E00201121700 | PATTINO 145x120              | PLATE 145x120                     |
| 4    | 6    | E30041208020 | VITE TS EI M8x20             | SOCKET FLAT HEAD CAP SCREWS M8x20 |
| 5    | 1    | E00201123100 | CORNICE PORTAPATTINO         | FRAME                             |
| 6    | 1    | E00201121700 | PATTINO 145x120              | PLATE 145x120                     |
| 7    | 3    | E00201121800 | PATTINO                      | PLATE                             |
| 8    | 8    | E30071416045 | VITE ST EI PUNTA CIL. M16X45 | HEXAGON SOCKET SET SCREWS M16x45  |
| 9    | 12   | E31020103016 | DADO M16                     | NUT M16                           |
| 10   | 4    | E30071416070 | VITE ST EI PUNTA CIL. M16X70 | HEXAGON SOCKET SET SCREWS M16x70  |
| 11   | 11   | E33011000M10 | RONDELLA M10                 | WASHER M10                        |
| 12   | 11   | E33031000M10 | RONDELLA ELASTICA M10        | SPRING WASHER M10                 |
| 13   | 7    | E30011310025 | VITE TE PGM10x25 - 10,9      | HEX. BOLT M10x25 - 10,9           |
| 14   | 1    | E00201124800 | SUPPORTO TUBI                | HOSE SUPPORT                      |
| 15   | 1    | E00301125600 | PIEGATO                      | FOLDED                            |
| 16   | 3    | E00301102100 | RULLO TUBIFLEX               | HOSE SUPPORT                      |
| 16a  | 1    | E00301125800 | TUBO Ø30                     | HOSE Ø30                          |
| 16b  | 2    | E39011252815 | CUSCINETTO CILINDRICO        | CYLINDRICAL BEARING               |
| 17   | 1    | E00301125700 | PERNO                        | PIVOT                             |
| 18   | 1    | E00301125500 | PIEGATO                      | FOLDED                            |
| 19   | 2    | E00201123000 | MORSETTO                     | CLAMP                             |
| 20   | 4    | E30011310040 | VITE TE IF PG M10X40 - 10,9  | HEX. BOLT M10x40 - 10,9           |


**ENERGREEN®**

Mod: ILFB2000

T 05.04.00



SECONDO SFILLO - SECOND TELESCOPIC ARM MOUNTING

06-2007

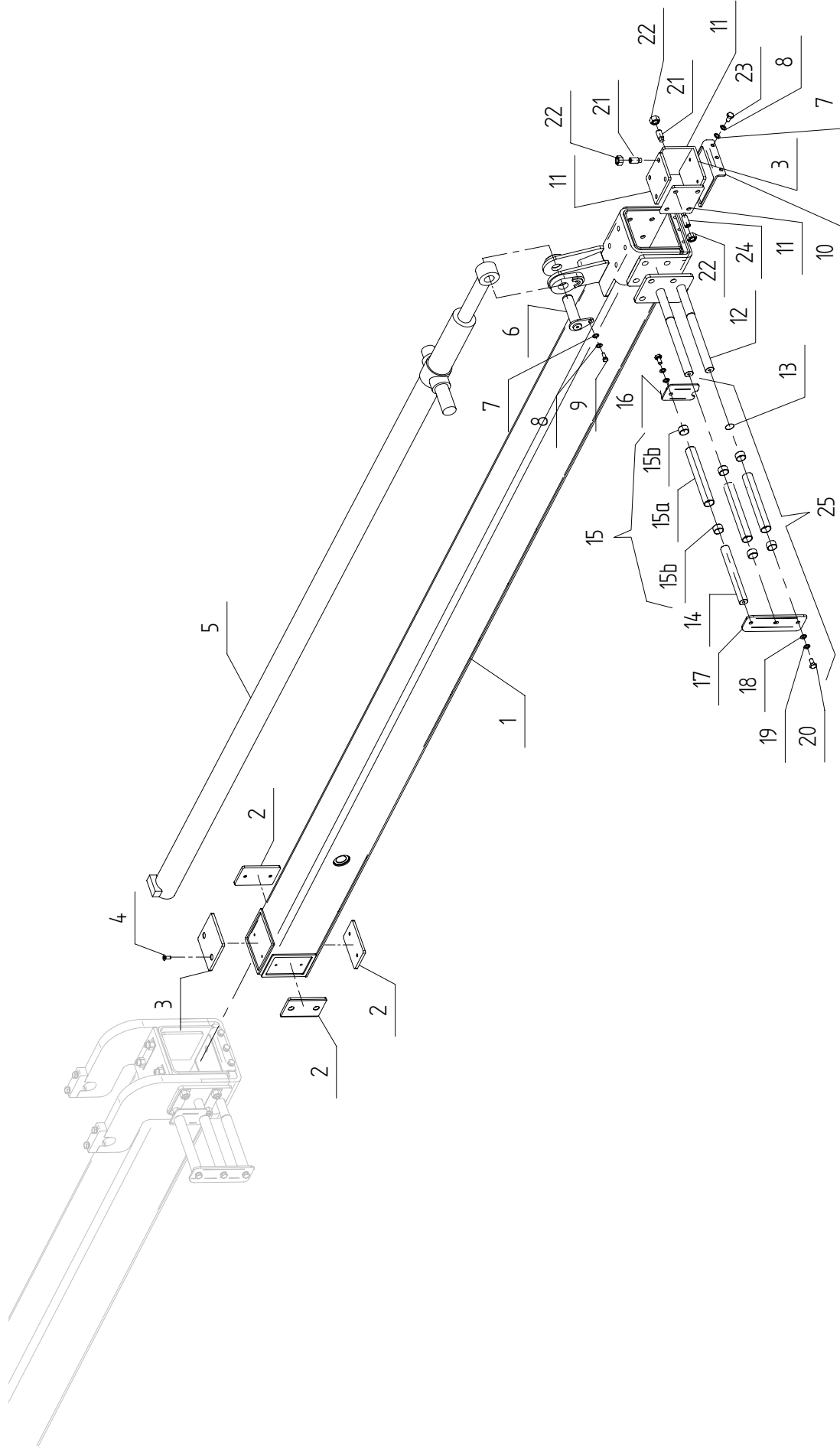
| Pos. | Q.tà | Cod.         | Descrizione                  | Description                      |
|------|------|--------------|------------------------------|----------------------------------|
| 1    | 1    | E00201120200 | 2° SFILLO                    | 2° TELESCOPIC ARM                |
| 2    | 3    | E00301125000 | PATTINO POST. 120x80         | PLATE 120x80                     |
| 3    | 2    | E00201122200 | PATTINO SFILLO 120x120       | PLATE 120x120                    |
| 4    | 8    | E30041208020 | VITE TS EI M8x20             | SOCKET M8x20                     |
| 5    | 1    | E00201920100 | CILINDRO 60/40/2550          | CILINDRO 60/40/2550              |
| 6    | 1    | E80413011502 | PERNO ø 30 L= 115            | PIVOT ø 30 L= 115                |
| 7    | 1    | E33011000M08 | RONDELLA PIANA M8            | WASHER M10                       |
| 8    | 1    | E33041000M08 | GROWER M8                    | SPRING WASHER M8                 |
| 9    | 1    | E30011308030 | VITE TE IF PG M8x30 - 10,9   | HEXAGON BOLT 10,9 ZN M8x30       |
| 10   | 1    | E00201122900 | PORTA PATTINO                | SUPPORT                          |
| 11   | 3    | E00201120700 | PATTINO                      | PLATE                            |
| 12   | 1    | E00201124900 | SUPPORTO TUBIFLEX            | SUPPORT                          |
| 13   | 1    | E38010250001 | SEEGER ø25                   | SEEGER ø25                       |
| 14   | 1    | E00301125700 | PERNO                        | PIVOT                            |
| 15   | 3    | E00301102100 | RULLO TUBIFLEX               | ROLLER                           |
| 15a  | 1    | E00301125800 | TUBO ø 30                    | TUBE ø30                         |
| 15b  | 2    | E39011252815 | CUSCINETTO CILINDRICO        | BEARING                          |
| 16   | 1    | E00301125600 | PIEGATO                      | FOLDED                           |
| 17   | 1    | E00301125500 | PIEGATO                      | FOLDED                           |
| 18   | 4    | E33011000M10 | RONDELLA PIANA M10           | WASHER M10                       |
| 19   | 4    | E330412N0M10 | GROWER M10                   | SPRING WASHER M10                |
| 20   | 4    | E30011210035 | VITE TE 8,8 ZN M10x35        | HEXAGON BOLT 8,8 ZN M10x35       |
| 21   | 12   | E30071416035 | VITE ST EI PUNTA CIL. M16X35 | HEXAGON SOCKET SET SCREWS M16x35 |
| 22   | 12   | E31020103016 | DADO MEDIO M16               | HEXAGON NUTS M16                 |
| 23   | 2    | E30011308020 | VITE TE IF PG M8x20 - 10,9   | HEXAGON BOLT 10,9 ZN M8x20       |
| 24   | 4    | E30071416045 | VITE ST EI PUNTA CIL. M16X45 | HEXAGON BOLT 8,8 ZN M10x45       |
| 25   | 1    | E00301170800 | SUPPORTO TUBI COMPLETO       | SUPPORT                          |

Mod: IIFB2000



**ENERGREEN®**

T 05.05.00



**ENERGREEN®**



## TERZO SFILLO - THIRD TELESCOPIC ARM MOUNTING

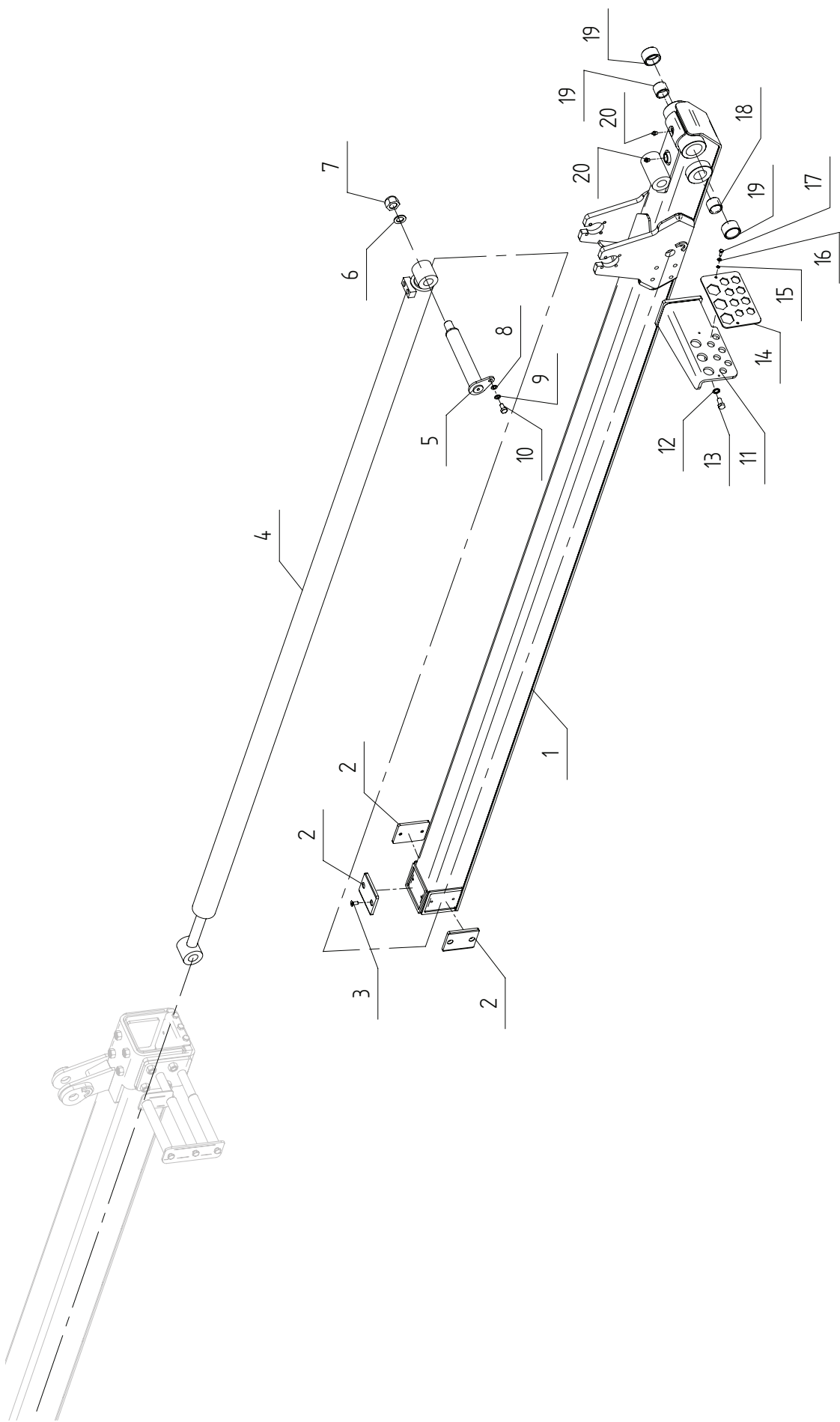
06-2007

| Pos. | Q.tà | Cod.         | Descrizione                | Description                       |
|------|------|--------------|----------------------------|-----------------------------------|
| 1    | 1    | E0020120400  | 3° SFILLO                  | 3° TELESCOPIC ARM                 |
| 2    | 4    | E0030123400  | PATTINO POST. 100x80       | PLATE 100x80                      |
| 3    | 8    | E30041208020 | VITE TS EI M8x20           | SOCKET M8x20                      |
| 4    | 1    | E0020120200  | CILINDRO 60/40/1880        | CYLINDER 60/40/1880               |
| 5    | 1    | E80433015502 | PERNO ø30 L=115            | PIVOT ø30 L=115                   |
| 6    | 1    | E80721500501 | RONDELLA ø2150/5           | WASHER ø2150/5                    |
| 7    | 1    | E3110102020  | DADO AUTOBLOC. M20         | LOCK NUTS M20                     |
| 8    | 2    | E3301000M08  | RONDELLA PIANA M8          | WASHER M8                         |
| 9    | 2    | E33041000M08 | GRWER M8                   | SPRING WASHER M8                  |
| 10   | 2    | E3001308020  | VITE TE IF PG M8x20 - 10,9 | HEX. BOLT M8x20 - 10,9            |
| 11   | 1    | E0020125000  | SUPPORTO TUBI              | SUPPORT                           |
| 12   | 4    | E3301000M14  | RONDELLA PIANA M14         | WASHER M14                        |
| 13   | 4    | E30031314030 | VITE TC EI M14x30          | HEX. SOCKET HEA CAP SCREWS M14x30 |
| 14   | 1    | E0020124500  | FERMO PER PASSAPARETE      | LOCK                              |
| 15   | 2    | E3301000M06  | RONDELLA PIANA M6          | WASHER M6                         |
| 16   | 2    | E33041000M06 | GROWER M6                  | SPRING WASHER M6                  |
| 17   | 2    | E3001306020  | VITE TE IF PG M6x20 - 10,9 | HEXAGON BOLT M6x20 - 10,9         |
| 18   | 2    | E80105403030 | BOCCOLA 40/30/30           | STEEL BUSHES 40/30/30             |
| 19   | 2    | E80105504040 | BOCCOLA 50/40/40           | STEEL BUSHES 50/40/40             |
| 20   | 2    | E35A71001000 | INGRASSATORE M10x1         | GREASE NIPPLES M10x1              |


**ENERGREEN®**

Mod: ILFB2000

T 05.06.00



**ENERGREEN®**

FISSAGGIO INCLINAZIONE FRESA - HEAD CUTTING MOUNTING

06-2007

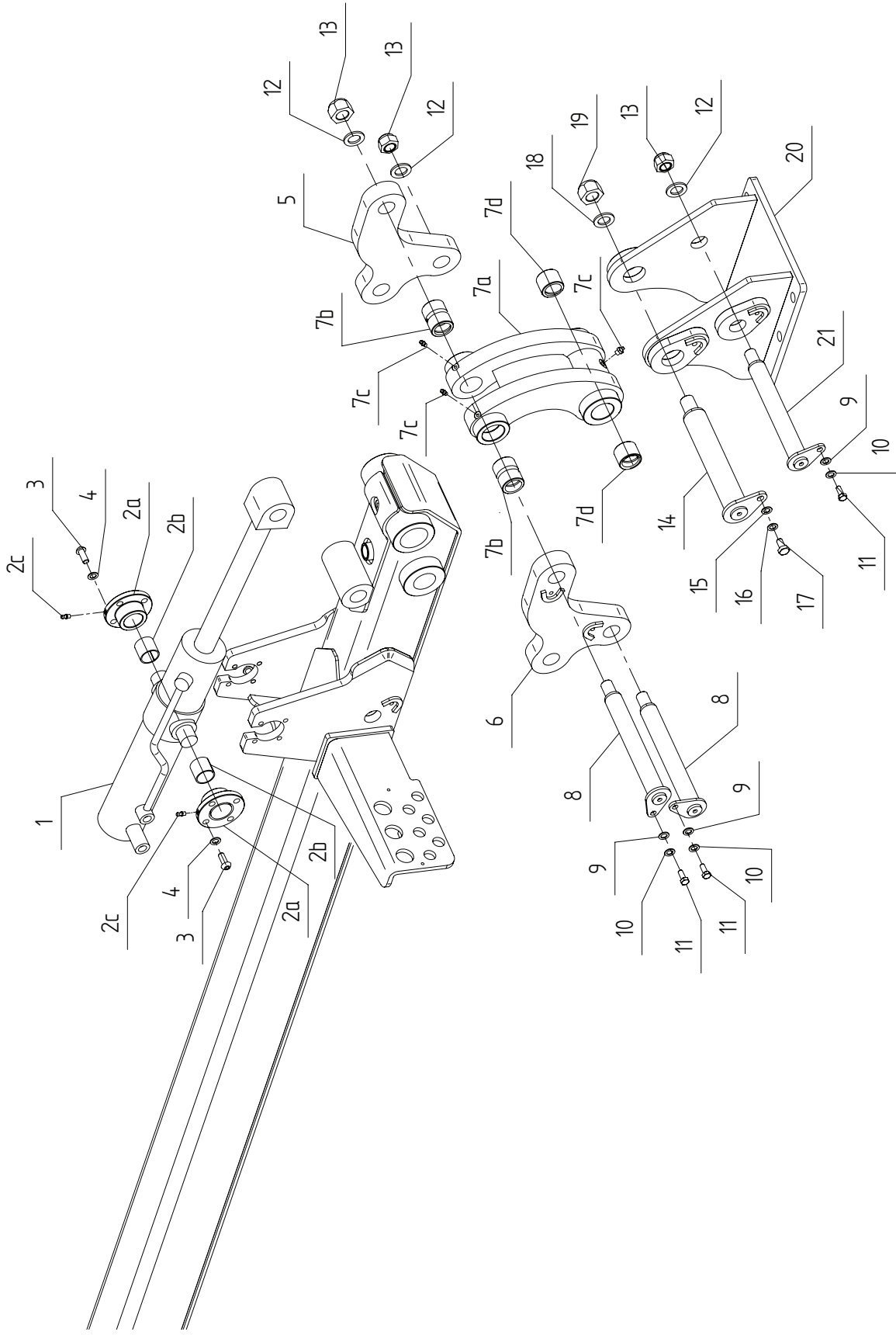
| Pos. | Q.tà | Cod.         | Descrizione                | Description                |
|------|------|--------------|----------------------------|----------------------------|
| 1    | 1    | E00102220000 | CILINDRO 7035/315          | CILINDER 7035/315          |
| 1a   | 1    | E8015403060  | BOCCOLA 40/30/60           | STEEL BUSHES 40/30/60      |
| 2    | 2    | E0020100600  | BOCCOLA COMPLETA           | BUSHING ASSY               |
| 2a   | 1    | E0020122300  | BOCCOLA                    | BUSHING                    |
| 2b   | 1    | E3901303430  | CUSCINETTO CILINDRICO      | BEARING                    |
| 2c   | 1    | E35A10601000 | INGRASSATORE A 1M6x1       | GREASE NIPPLES M6x1        |
| 3    | 8    | E3301000M10  | RONDELLA PIANA M10         | WASHER M10                 |
| 4    | 8    | E30081210025 | VITE TC BOMBATA M10x25     | HEXAGON SOCKET M10x25      |
| 5    | 1    | E0020125400  | LEVA SX                    | LEFT CONTROL LINK          |
| 6    | 1    | E0020125300  | LEVA DX                    | RIGHT CONTROL LINK         |
| 7    | 1    | E0020100500  | LEVA DI SPINTA COMPLETA    | CONTROL ROD ASSY           |
| 7a   | 1    | E0020120800  | LEVA DI SPINTA             | CONTROL ROD                |
| 7b   | 2    | E8015403050  | BOCCOLA 40/30/50           | STEEL BUSHES 40/30/50      |
| 7c   | 2    | E35A71001000 | INGRASSATORE M10x1         | GREASE NIPPLES M10x1       |
| 7d   | 2    | E80105403030 | BOCCOLA 40/30/30           | STEEL BUSHES 40/30/30      |
| 8    | 2    | E80433026702 | PERNO Ø30 L = 227          | PIVOT Ø30 L=270            |
| 9    | 3    | E3301000M08  | RONDELLA PIANA M8          | WASHER M8                  |
| 10   | 3    | E33041000M08 | GROWER M8                  | SPRING WASHER M8           |
| 11   | 3    | E3001308020  | VITE TE IF PG M8x20 - 10,9 | HEXAGON BOLT 10,9 ZN M8x20 |
| 12   | 3    | E80721500501 | RONDELLA Ø2150/5           | WASHER Ø2150/5             |
| 13   | 3    | E3120102020  | DADO AUTOBLOC. M20         | LOCK NUTS M20              |
| 14   | 1    | E80434026302 | PERNO Ø40 L = 263          | PIVOT Ø40 L = 263          |
| 15   | 1    | E3301000M10  | RONDELLA PIANA M10         | WASHER M10                 |
| 16   | 1    | E33041ZN0M10 | GROWER M10                 | SPRING WASHER M10          |
| 17   | 1    | E3001210035  | VITE TE 8,8 ZN M10x35      | HEXAGON BOLT 8,8 ZN M10x35 |
| 18   | 1    | E80725550501 | RONDELLA Ø255/5            | WASHER Ø255/5              |
| 19   | 1    | E3120102024  | DADO AUTOBLOC. M24         | LOCK NUTS M24              |
| 20   | 1    | E0020121100  | ATTACCO TRINCIA            | SHEARS CONNECTION          |
| 21   | 1    | E80433025702 | PERNO Ø30 L = 217          | PIVOT Ø30 L=260            |



**ENERGREEN**®

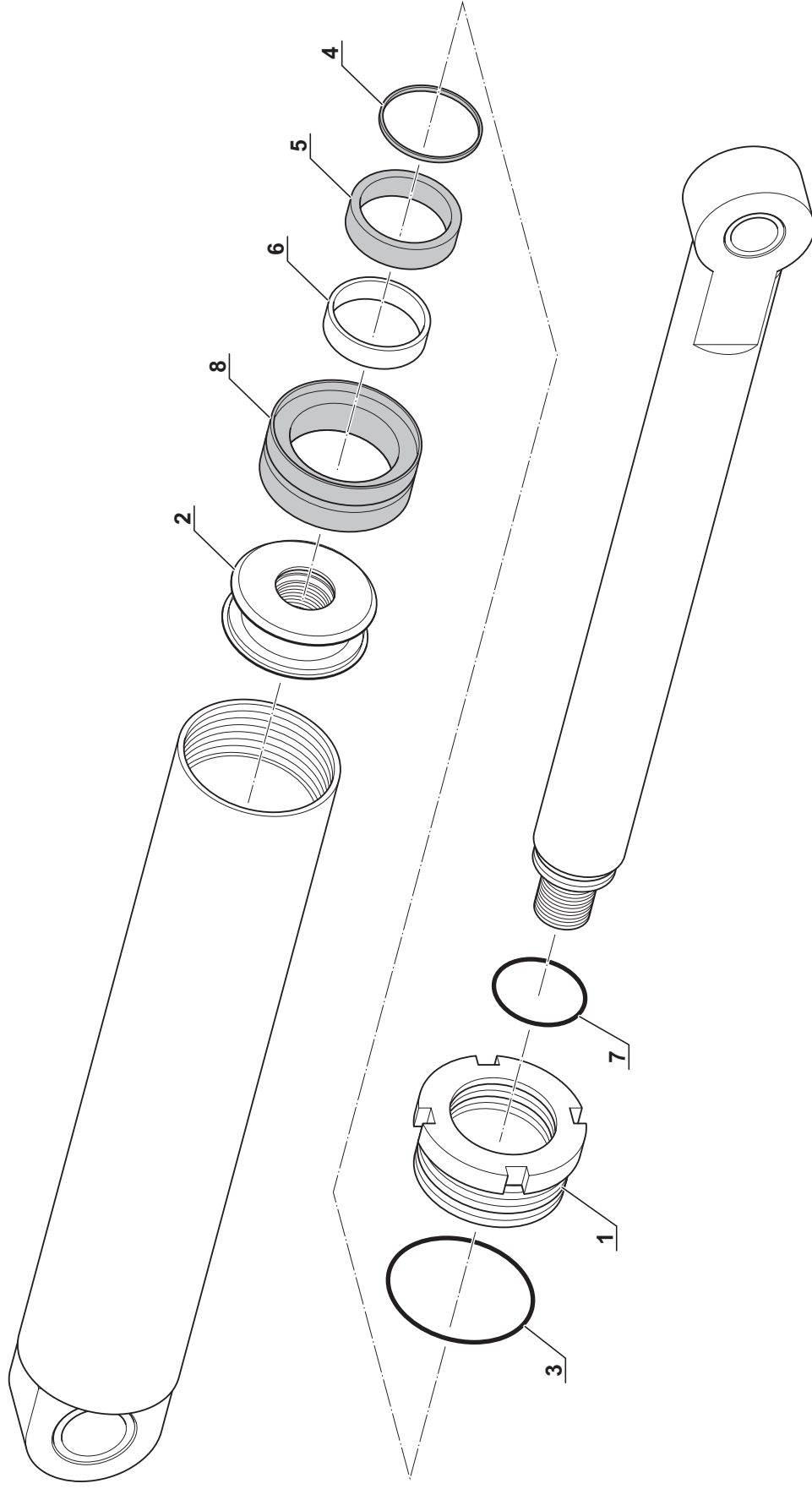
Mod: ILFB2000

T 050700



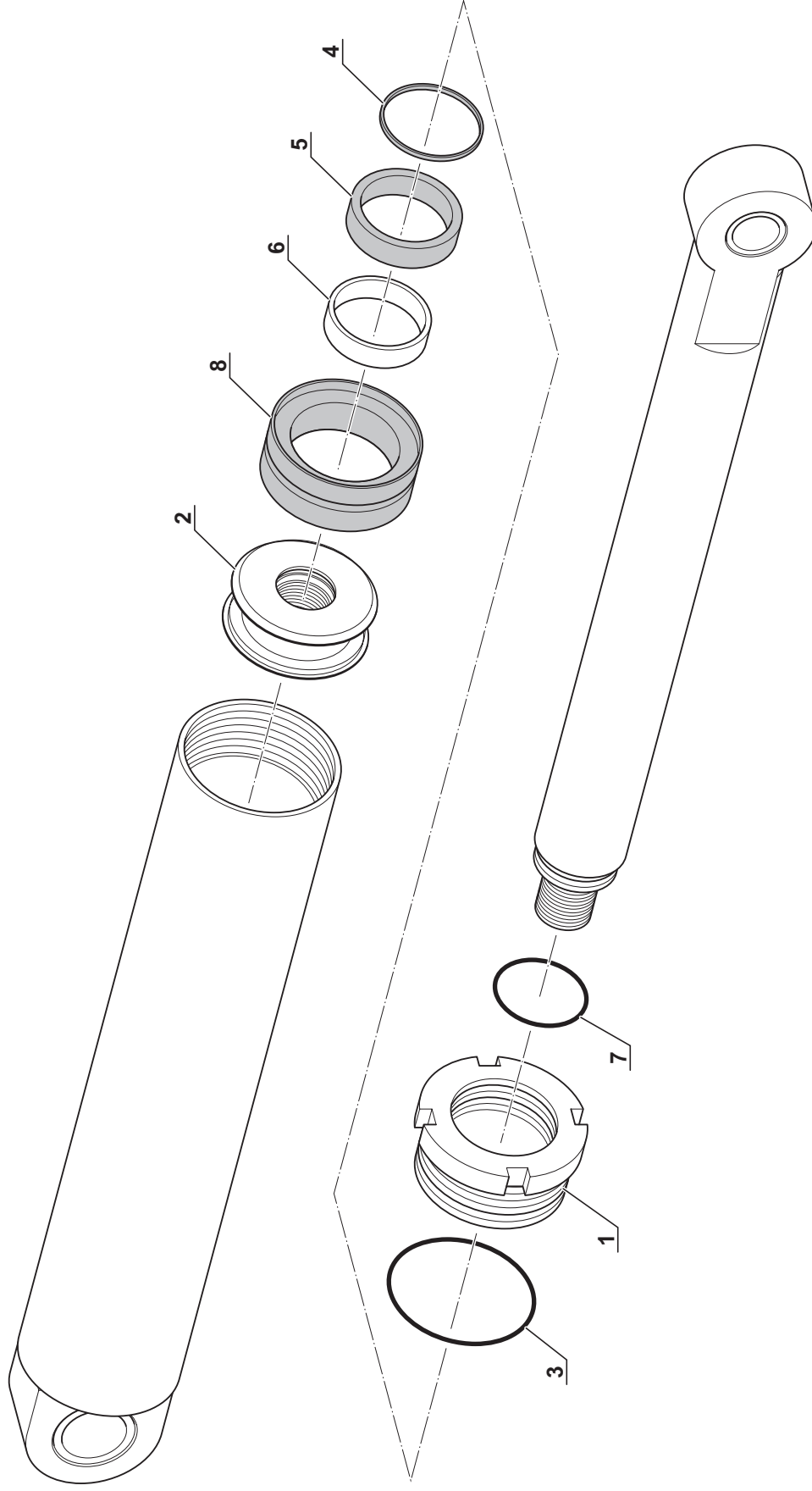
| Pos. | Q.tà | Cod.         | Descrizione                                       | Guarnizioni Cilindro - Cylinder seal 50/30 | Description                   |
|------|------|--------------|---|--|-------------------------------|
| 1    | 1    | E20601050030 | TESTATA   |  | HEAD BUSH                     |
| 2    | 1    | E20602050037 | PISTONE   |  | PISTON                        |
|      |      | E63700050030 | KIT GUARNIZIONI                                   |  | GASKET                        |
| 3    | 1    | E63703000224 | O-RING 224 (3,53x44,04)                           |  | O-RING 224 (3,53x44,04)       |
| 4    | 1    | E63701000030 | RASCHIATORE ø 30                                  |  | WIPER ø 30                    |
| 5    | 1    | E63702000030 | GUARNIZ. STELO 30x38,6,5                          |  | ROD SEAL 30x38,6,5            |
| 7    | 1    | E63703000116 | O-RING 116 (2,62x18,72)                           |  | O-RING 116 (2,62x18,72)       |
| 8    | 1    | E63705050030 | GUARNIZ. PISTONE 50/34 H.18,40                    |  | PISTON SEAL 50/34 H18,40      |
|      |      |              | <b>Guarnizioni Cilindro - Cylinder seal 60/40</b> |  |                               |
| 1    | 1    | E20601060040 | TESTATA   |  | HEAD BUSH                     |
| 2    | 1    | E20602060038 | PISTONE   |  | PISTON                        |
|      |      | E63700060040 | KIT GUARNIZIONI                                   |  | GASKET                        |
| 3    | 1    | E63703000227 | O-RING DOWTY 227 (3,53x53,57)                     |  | O-RING DOWTY 227 (3,53x53,57) |
| 4    | 1    | E63701000040 | RASCHIATORE ø 40                                  |  | WIPER ø 40                    |
| 5    | 1    | E63702000040 | GUARNIZ.STELO 40x50/8                             |  | ROD SEAL 40x50/8              |
| 7    | 1    | E63703000812 | O-RING DOWTY 812 (2,62x20,63)                     |  | O-RING DOWTY 812 (2,62x20,63) |
| 8    | 1    | E63705060040 | GUARNIZ.PISTONE 60/44 H.18,40                     |  | PISTON SEAL 60/44 H18,40      |
|      |      |              | <b>Guarnizioni Cilindro - Cylinder seal 60/30</b> |  |                               |
| 1    | 1    | E20601060030 | TESTATA IN GHISA                                  |  | HEAD BUSH                     |
| 2    | 1    | E20602060038 | PISTONE   |  | PISTON                        |
|      |      | E63700060030 | KIT GUARNIZIONI                                   |  | GASKET                        |
| 3    | 1    | E63703000227 | O-RING DOWTY 227 (3,53x53,57)                     |  | O-RING DOWTY 227 (3,53x53,57) |
| 4    | 1    | E63701000030 | RASCHIATORE ø 30                                  |  | WIPER ø 30                    |
| 5    | 1    | E63702000030 | GUARNIZ. STELO 30x38,6,5                          |  | ROD SEAL 30x38,6,5            |
| 7    | 1    | E63703000812 | O-RING DOWTY 812 (2,62x20,63)                     |  | O-RING DOWTY 812 (2,62x20,63) |
| 8    | 1    | E63705060040 | GUARNIZ.PISTONE 60/44 H.18,40                     |  | PISTON SEAL 60/44 H18,40      |
|      |      |              | <b>Guarnizioni Cilindro - Cylinder seal 60/35</b> |  |                               |
| 1    | 1    | E20601060035 | TESTATA IN GHISA                                  |  | HEAD BUSH                     |
| 2    | 1    | E20602060038 | PISTONE   |  | PISTON                        |
|      |      | E63700060035 | KIT GUARNIZIONI                                   |  | GASKET                        |
| 3    | 1    | E63703000227 | O-RING DOWTY 227 (3,53x53,57)                     |  | O-RING DOWTY 227 (3,53x53,57) |
| 4    | 1    | E63701000035 | RASCHIATORE ø 35                                  |  | WIPER ø 35                    |
| 5    | 1    | E63702000035 | GUARNIZ. STELO 35x43,6,5                          |  | ROD SEAL 35x43,6,5            |
| 7    | 1    | E63703000812 | O-RING DOWTY 812 (2,62x20,63)                     |  | O-RING DOWTY 812 (2,62x20,63) |
| 8    | 1    | E63705060040 | GUARNIZ.PISTONE 60/44 H.18,40                     |  | PISTON SEAL 60/44 H18,40      |





| Pos.  | Q.tà | Cod.          | Descrizione                    | Description                   |
|---|------|---------------|--------------------------------|-------------------------------|
| <b>Guarnizioni Cilindro - Cylinder seal 60/35</b> |      |               |                                |                               |
| 1   | 1    | E2060106035A  | TESTATA IN ACCIAIO             | HEAD BUSH                     |
| 2   | 1    | E2060206038I  | PISTONE CON INCAVO             | PISTON                        |
|   |      | E63701060035  | KIT GUARNIZIONI                | GASKET                        |
| 3   | 1    | E63703000227  | O-RING DOWTY 227 (3,53x53,57)  | O-RING DOWTY 227 (3,53x53,57) |
| 4   | 1    | E63701000035  | RASCHIATORE ø 35               | WIPER ø 35                    |
| 5   | 1    | E63702000035  | GUARNIZ. STELO 35/436,5        | ROD SEAL_35/436,5             |
| 6   | 2    | E63704000035  | ANELLO GUIDA ø 35              | INTERNAL GUIDE                |
| 7   | 1    | E63703000812  | O-RING DOWTY 812 (2,62x20,63)  | O-RING DOWTY 812 (2,62x20,63) |
| 8   | 1    | E63705060040  | GUARNIZ.PISTONE 60/44 H.18,40  | PISTON SEAL 60/44 H18,40      |
| <b>Guarnizioni Cilindro - Cylinder seal 60/35</b> |      |               |                                |                               |
| 1   | 1    | E2060106035A  | TESTATA IN ACCIAIO             | HEAD BUSH                     |
| 2   | 1    | E20602060M42  | PISTONE                        | PISTON                        |
|   |      | E6370M1060035 | KIT GUARNIZIONI                | GASKET                        |
| 3   | 1    | E63703000227  | O-RING DOWTY 227 (3,53x53,57)  | O-RING DOWTY 227 (3,53x53,57) |
| 4   | 1    | E63701000035  | RASCHIATORE ø 35               | WIPER ø 35                    |
| 5   | 1    | E63702000035  | GUARNIZ. STELO 35/436,5        | ROD SEAL_35/436,5             |
| 6   | 2    | E63704000035  | ANELLO GUIDA ø 35              | INTERNAL GUIDE                |
| 7   | 1    | E63703000123  | O-RING DOWTY 123 (2,62x29,62)  | O-RING DOWTY 123 (2,62x29,62) |
| 8   | 1    | E63705060040  | GUARNIZ.PISTONE 60/44 H.18,40  | PISTON SEAL 60/44 H18,40      |
| <b>Guarnizioni Cilindro - Cylinder seal 70/35</b> |      |               |                                |                               |
| 1   | 1    | E20601070035  | TESTATA IN GHISA               | HEAD BUSH                     |
| 2   | 1    | E20602070050  | PISTONE                        | PISTON                        |
|   |      | E63700070035  | KIT GUARNIZIONI                | GASKET                        |
| 3   | 1    | E63703000839  | O-RING DOWTY 839 (3,53x63,50)  | O-RING DOWTY 839 (3,53x63,50) |
| 4   | 1    | E63701000035  | RASCHIATORE ø 35               | WIPER ø 35                    |
| 5   | 1    | E63702000035  | GUARNIZ. STELO 35/436,5        | ROD SEAL_35/436,5             |
| <b>Guarnizioni Cilindro - Cylinder seal 70/35</b> |      |               |                                |                               |
| 7   | 1    | E63703000812  | O-RING DOWTY 812 (2,62x20,63)  | O-RING DOWTY 812 (2,62x20,63) |
| 8   | 1    | E63705070035  | GUARNIZ. PISTONE 70/50 H.22,40 | PISTON SEAL 70/50 H22,40      |
| <b>Guarnizioni Cilindro - Cylinder seal 70/35</b> |      |               |                                |                               |
| 1   | 1    | E20601070035  | TESTATA IN GHISA               | HEAD BUSH                     |
| 2   | 1    | E20602070M22  | PISTONE                        | PISTON                        |
| <b>Guarnizioni Cilindro - Cylinder seal 70/35</b> |      |               |                                |                               |
| 3   | 1    | E63703000839  | O-RING DOWTY 839 (3,53x63,50)  | O-RING DOWTY 839 (3,53x63,50) |
| 4   | 1    | E63701000035  | RASCHIATORE ø 35               | WIPER ø 35                    |
| 5   | 1    | E63702000035  | GUARNIZ. STELO 35/436,5        | ROD SEAL_35/436,5             |
|   |      | E6370M1070035 | KIT GUARNIZIONI                | GASKET                        |
| 7   | 1    | E63703000120  | O-RING DOWTY 120 (2,62x25,07)  | O-RING DOWTY 120 (2,62x25,07) |
| 8   | 1    | E63705070035  | GUARNIZ. PISTONE 70/50 H.22,40 | PISTON SEAL 70/50 H22,40      |

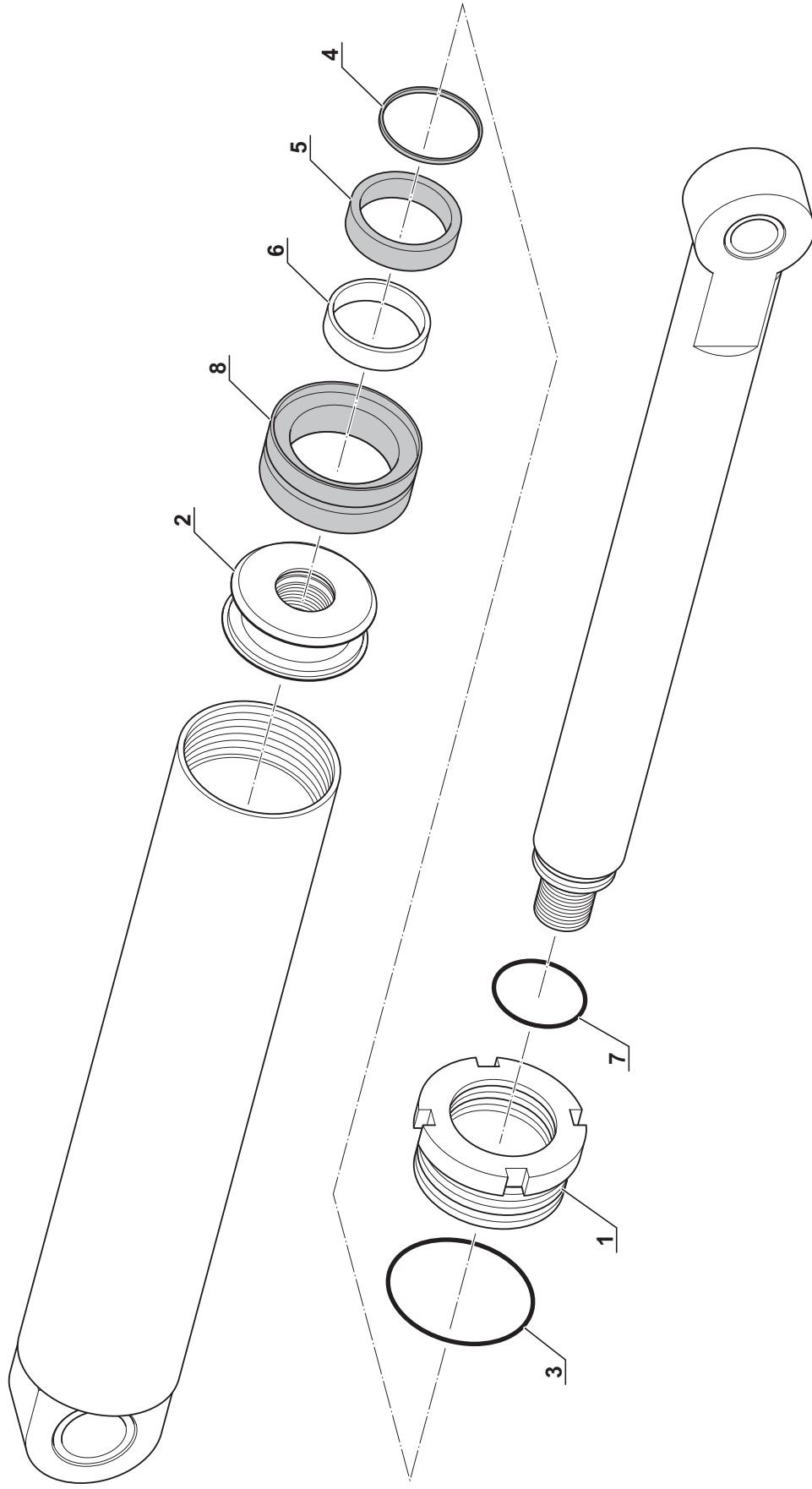

**ENERGREEN®**





| Pos.  | Q.tà | Cod.         | Descrizione                    | Description                   |
|---|------|--------------|--------------------------------|-------------------------------|
| <b>Guarnizioni Cilindro - Cylinder seal 70/40</b> |      |              |                                |                               |
| 1   | 1    | E20601070040 | TESTATA IN GHISA               | HEAD BUSH                     |
| 2   | 1    | E20602070050 | PISTONE                        | PISTON                        |
| KIT GUARNIZIONI                                   |      |              |                                |                               |
| 3   | 1    | E63700070040 | O-RING DOWTY 839 (3,53x63,50)  | O-RING DOWTY 839 (3,53x63,50) |
| 4   | 1    | E63703000839 | RASCHIATORE ø 40               | WIPER ø 40                    |
| 5   | 1    | E63701000040 | GUARNIZ. STELO 40/508          | ROD SEAL 40/508               |
| 7   | 1    | E63703000121 | O-RING DOWTY 121 (2,62x26,64)  | O-RING DOWTY 121 (2,62x26,64) |
| 8   | 1    | E63705070035 | GUARNIZ. PISTONE 70/50 H.22,40 | PISTON SEAL 70/50 H22,40      |
| <b>Guarnizioni Cilindro - Cylinder seal 70/40</b> |      |              |                                |                               |
| TESTATA IN ACCIAIO                                |      |              |                                |                               |
| 1   | 1    | E2060107040A | PISTONE                        | HEAD BUSH                     |
| 2   | 1    | E20602070050 | KIT GUARNIZIONI                | PISTON                        |
| 3   | 1    | E6370A070040 | O-RING DOWTY 839 (3,53x63,50)  | O-RING DOWTY 839 (3,53x63,50) |
| 4   | 1    | E63703000839 | RASCHIATORE ø 40               | WIPER ø 40                    |
| 5   | 1    | E63702000040 | GUARNIZ. STELO 40/508          | ROD SEAL 40/508               |
| 6   | 2    | E63704000040 | ANELLO GUIDA ø 40              | INTERNAL GUIDE                |
| 7   | 1    | E63703000121 | O-RING DOWTY 121 (2,62x26,64)  | O-RING DOWTY 121 (2,62x26,64) |
| 8   | 1    | E63705070035 | GUARNIZ. PISTONE 70/50 H.22,40 | PISTON SEAL 70/50 H22,40      |
| <b>Guarnizioni Cilindro - Cylinder seal 80/40</b> |      |              |                                |                               |
| TESTATA IN GHISA                                  |      |              |                                |                               |
| 1   | 1    | E20601080040 | PISTONE                        | HEAD BUSH                     |
| 2   | 1    | E20602080054 | KIT GUARNIZIONI                | PISTON                        |
| 3   | 1    | E63700080040 | O-RING DOWTY 845 (3,53x73,03)  | O-RING DOWTY 845 (3,53x73,03) |
| 4   | 1    | E63701000040 | RASCHIATORE ø 40               | WIPER ø 40                    |
| 5   | 1    | E63702000040 | GUARNIZ. STELO 40/508          | ROD SEAL 40/508               |
| 7   | 1    | E63703000129 | O-RING DOWTY 129 (2,62x39,34)  | O-RING DOWTY 129 (2,62x39,34) |
| 8   | 1    | E63705080040 | GUARNIZ. PISTONE 80/60 H.22,40 | PISTON SEAL 80/60 H22,40      |
| <b>Guarnizioni Cilindro - Cylinder seal 80/45</b> |      |              |                                |                               |
| TESTATA IN GHISA                                  |      |              |                                |                               |
| 1   | 1    | E20601080045 | PISTONE                        | HEAD BUSH                     |
| 2   | 1    | E20602080130 | KIT GUARNIZIONI                | PISTON                        |
| 3   | 1    | E6370M080045 | O-RING DOWTY 845 (3,53x73,03)  | O-RING DOWTY 845 (3,53x73,03) |
| 4   | 1    | E63703000845 | RASCHIATORE ø 45               | WIPER ø 45                    |
| 5   | 1    | E63702000045 | GUARNIZ. STELO 45/558          | ROD SEAL 45/558               |
| 7   | 1    | E63703000129 | O-RING DOWTY 129 (2,62x39,34)  | O-RING DOWTY 129 (2,62x39,34) |
| 8   | 1    | E63705080040 | GUARNIZ. PISTONE 80/60 H.22,40 | PISTON SEAL 80/60 H22,40      |


**ENERGREEN®**

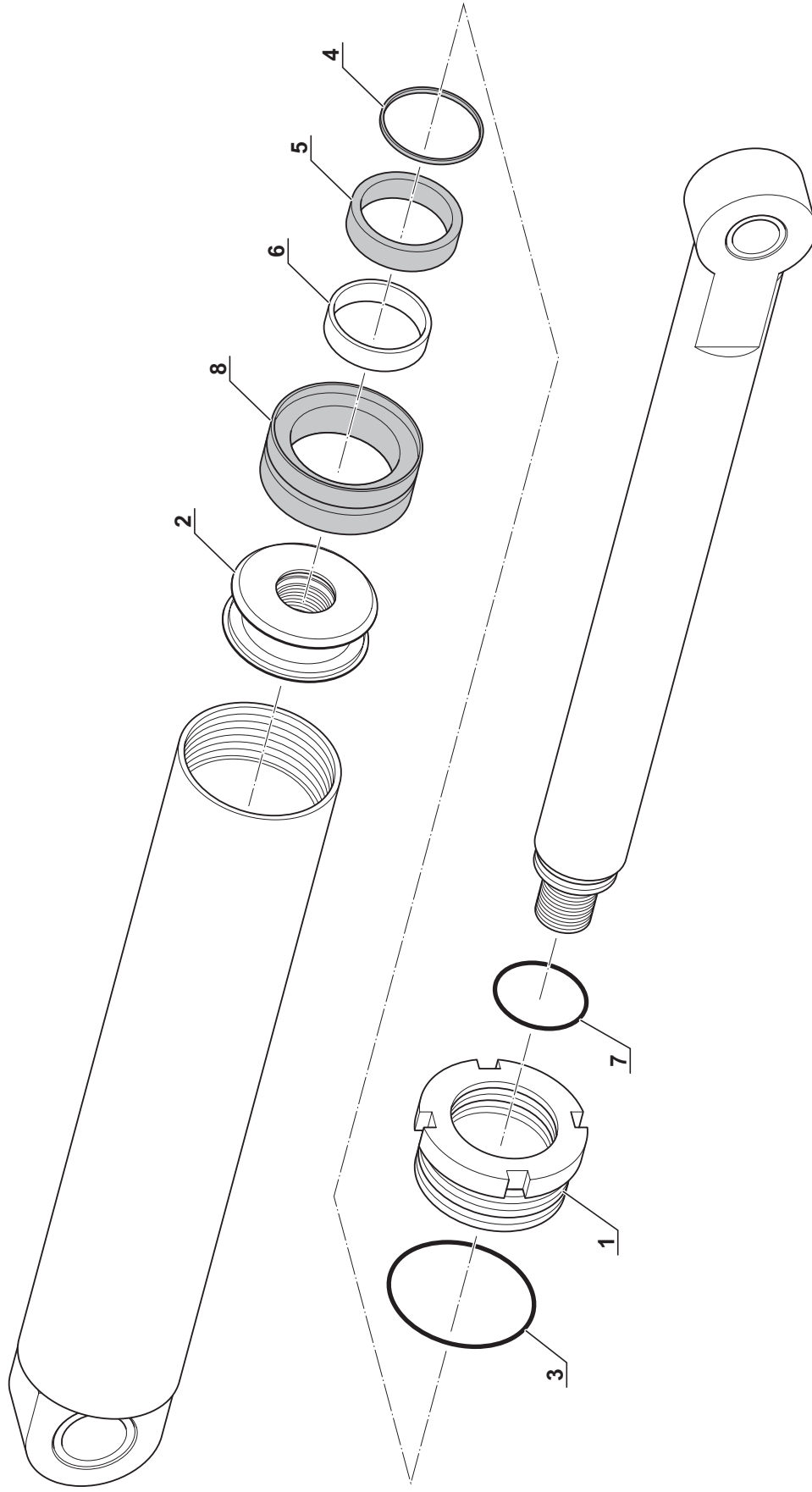


| Pos.   | Q.tà | Cod.         | Descrizione                     | Description                    |
|--|------|--------------|---------------------------------|--------------------------------|
| <b>Guarnizioni Cilindro - Cylinder seal 110/50</b> |      |              |                                 |                                |
| 1  | 1    | E2060110050  | TESTATA IN GHISA                | HEAD BUSH                      |
| 2  | 1    | E2060210M42  | PISTONE                         | PISTON                         |
|  |      | E6370M10050  | KIT GUARNIZIONI                 | GASKET                         |
| 3  | 1    | E63703000345 | O-RING DOWTY 345 (3,53x100,97)  | O-RING DOWTY 345 (3,53x100,97) |
| 4  | 1    | E63701000050 | RASCHIATORE ø 50                | WIPER ø 50                     |
| 5  | 1    | E63702000050 | GUARNIZ. STELO 5060/8           | ROD SEAL 5060/8                |
| <b>Guarnizioni Cilindro - Cylinder seal 110/70</b> |      |              |                                 |                                |
| 7  | 1    | E63703000133 | O-RING DOWTY 133 (2,62x45,69)   | O-RING DOWTY 133 (2,62x45,69)  |
| 8  | 1    | E6370510050  | GUARNIZ. PISTONE 110/85 H.22,40 | PISTON SEAL 110/85 H22,40      |
| <b>Guarnizioni Cilindro - Cylinder seal 110/70</b> |      |              |                                 |                                |
| 1  | 1    | E2060110070  | TESTATA IN GHISA                | HEAD BUSH                      |
| 2  | 1    | E2060210M42  | PISTONE                         | PISTON                         |
|  |      | E6370M110070 | KIT GUARNIZIONI                 | GASKET                         |
| 3  | 1    | E63703000345 | O-RING DOWTY 345 (3,53x100,97)  | O-RING DOWTY 345 (3,53x100,97) |
| 4  | 1    | E63701000070 | RASCHIATORE ø 70                | WIPER ø 70                     |
| 5  | 1    | E63702000070 | GUARNIZ. STELO 7080/8           | ROD SEAL 7080/8                |
| <b>Guarnizioni Cilindro - Cylinder seal 120/70</b> |      |              |                                 |                                |
| 7  | 1    | E63703000133 | O-RING DOWTY 133 (2,62x45,69)   | O-RING DOWTY 133 (2,62x45,69)  |
| 8  | 1    | E6370510050  | GUARNIZ. PISTONE 110/85 H.22,40 | PISTON SEAL 110/85 H22,40      |
| <b>Guarnizioni Cilindro - Cylinder seal 120/70</b> |      |              |                                 |                                |
| 1  | 1    | E20601120070 | TESTATA IN GHISA                | HEAD BUSH                      |
| 2  | 1    | E20602120M42 | PISTONE                         | PISTON                         |
|  |      | E6370M120070 | KIT GUARNIZIONI                 | GASKET                         |
| 3  | 1    | E63703000348 | O-RING DOWTY 348 (3,53x110,50)  | O-RING DOWTY 348 (3,53x110,50) |
| 4  | 1    | E63701000070 | RASCHIATORE ø 70                | WIPER ø 70                     |
| 5  | 1    | E63702000070 | GUARNIZ. STELO 7080/8           | ROD SEAL 7080/8                |
| <b>Guarnizioni Cilindro - Cylinder seal 120/50</b> |      |              |                                 |                                |
| 7  | 1    | E63703000133 | O-RING DOWTY 133 (2,62x45,69)   | O-RING DOWTY 133 (2,62x45,69)  |
| 8  | 1    | E63705120070 | GUARNIZ. PISTONE 120/95 H.22,40 | PISTON SEAL 120/95 H22,40      |
| <b>Guarnizioni Cilindro - Cylinder seal 120/50</b> |      |              |                                 |                                |
| 1  | 1    | E20601120050 | TESTATA IN GHISA                | HEAD BUSH                      |
| 2  | 1    | E20602120M42 | PISTONE                         | PISTON                         |
|  |      | E6370M120050 | KIT GUARNIZIONI                 | GASKET                         |
| 3  | 1    | E63703000348 | O-RING DOWTY 348 (3,53x110,50)  | O-RING DOWTY 348 (3,53x110,50) |
| 4  | 1    | E63701000050 | RASCHIATORE ø 50                | WIPER ø 50                     |
| 5  | 1    | E63702000050 | GUARNIZ. STELO 5060/8           | ROD SEAL 5060/8                |
| <b>Guarnizioni Cilindro - Cylinder seal 120/50</b> |      |              |                                 |                                |
| 7  | 1    | E63703000133 | O-RING DOWTY 133 (2,62x45,69)   | O-RING DOWTY 133 (2,62x45,69)  |
| 8  | 1    | E63705120070 | GUARNIZ. PISTONE 120/95 H.22,40 | PISTON SEAL 120/95 H22,40      |


**ENERGREEN®**

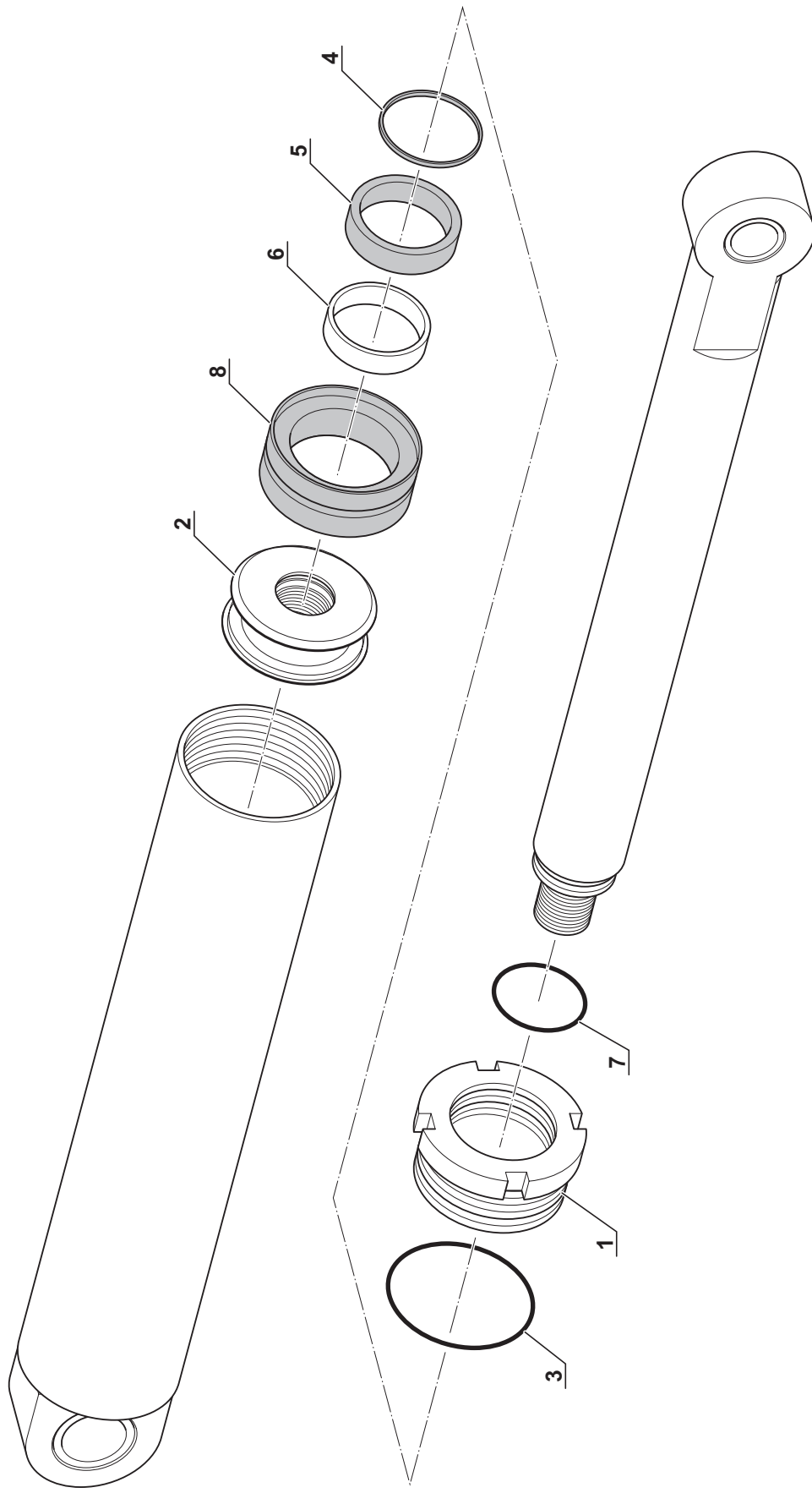
ESPLOSO CILINDRI - CYLINDER EXPLODED VIEW

06-2007



| Pos.   | Q.tà | Cod.         | Descrizione                     | Description                    |
|--|------|--------------|---------------------------------|--------------------------------|
| <b>Guarnizioni Cilindro - Cylinder seal 130/50</b> |      |              |                                 |                                |
| 1  | 1    | E2060130050  | TESTATA INGHISA                 | HEAD BUSH                      |
| 2  | 1    | E20602130M48 | PISTONE                         | PISTON                         |
|  |      | E6370M130050 | KIT GUARNIZIONI                 | GASKET                         |
| 3  | 1    | E63703000351 | O-RING DOWTY 351(3,53x120,02)   | O-RING DOWTY 351 (3.53x120,02) |
| 4  | 1    | E63701000050 | RASCHIATORE ø 50                | WIPER ø 50                     |
| 5  | 1    | E63702000050 | GUARNIZ. STELO 5060/8           | ROD SEAL 5060/8                |
| 7  | 1    | E63703000829 | O-RING DOWTY 829 (2,62x47,63)   | O-RING DOWTY 829 (2.62x47,63)  |
| 8  | 1    | E63705130050 | GUARNIZ. PISTONE 130/05 H.25,40 | PISTON SEAL 130/05 H25,40      |


**ENERGREEN®**



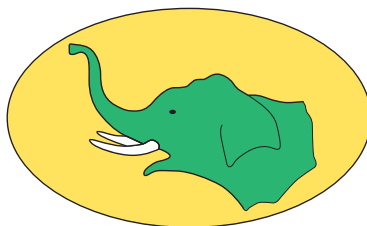












# **ENERGREEN**

**Macchine decespugliatrici professionali  
BY LASERJET**

ENERGREEN

Via Pietre, 73 CAGNANO DI POIANA MAGGIORE (VICENZA) ITALIA

Tel. +39 0444 864301 Fax. +39 0444 864366

[www.energreen.it](http://www.energreen.it) [info@energreen.it](mailto:info@energreen.it)