

Spearhead

Excel 474 Reach Mower & Twiga 4000

Parts Book

2nd Edition – November 2008

Parts Department
Spearhead Machinery
Green View,
Salford Priors,
Evesham,
Worcestershire,
WR11 8SW
Tel: 01789 491860 Fax: 01789 778683
www.spearheadmachinery.com
enquiries@spearheadmachinery.com

Spearhead Excel 474 & Twiga 4000

Contents

Ordering Your Parts	3
Main Frame Assembly	4
Tank Assembly	6
Slew & Lift Frame Assembly	8
Main Arm Assembly	10
Dipper Arm Assembly	12
Head Mount Bracket Assembly	14
Direct Drive MP Head	16
Rotor Assembly MP	18
Hydraulic Rear Roller MP	20
Rear Roller MP	22
Head Motor Assembly	23
Cab Guard Assembly	24
Gearbox Assembly	25
Hydraulic Cylinder Assembly	26
P.T.O. Shaft Assembly	28
Tandem Pump Assembly	30
Cable Motor Control Valve	32
Break Back Valve	33
Cable Control	34
Cable Control Valve Assembly	35
Joystick Control Assembly	36
Valve Assembly – Hydraulic Proportional Control	38
Electric Solenoid Assembly	40
Head/Arm Float Assembly	42
Head Angle Float Assembly	44
Stickers	45

Spearhead Excel 474 & Twiga 4000

Ordering Your Part's

When ordering parts please refer to your parts list to help your dealer with your order.

Part number and quantity

Description

Machine model number

Serial number of the machine

Delivery instructions (e.g. next day).

Delivery is normally via carrier direct to your dealer. Please check with your dealer for stock availability and arrangement of dispatch. Ensure you or your dealer has sufficient cover for parts required outside factory hours.

When ordering your seal kits please quote both codes stamped on the base of the cylinder.

Important Note

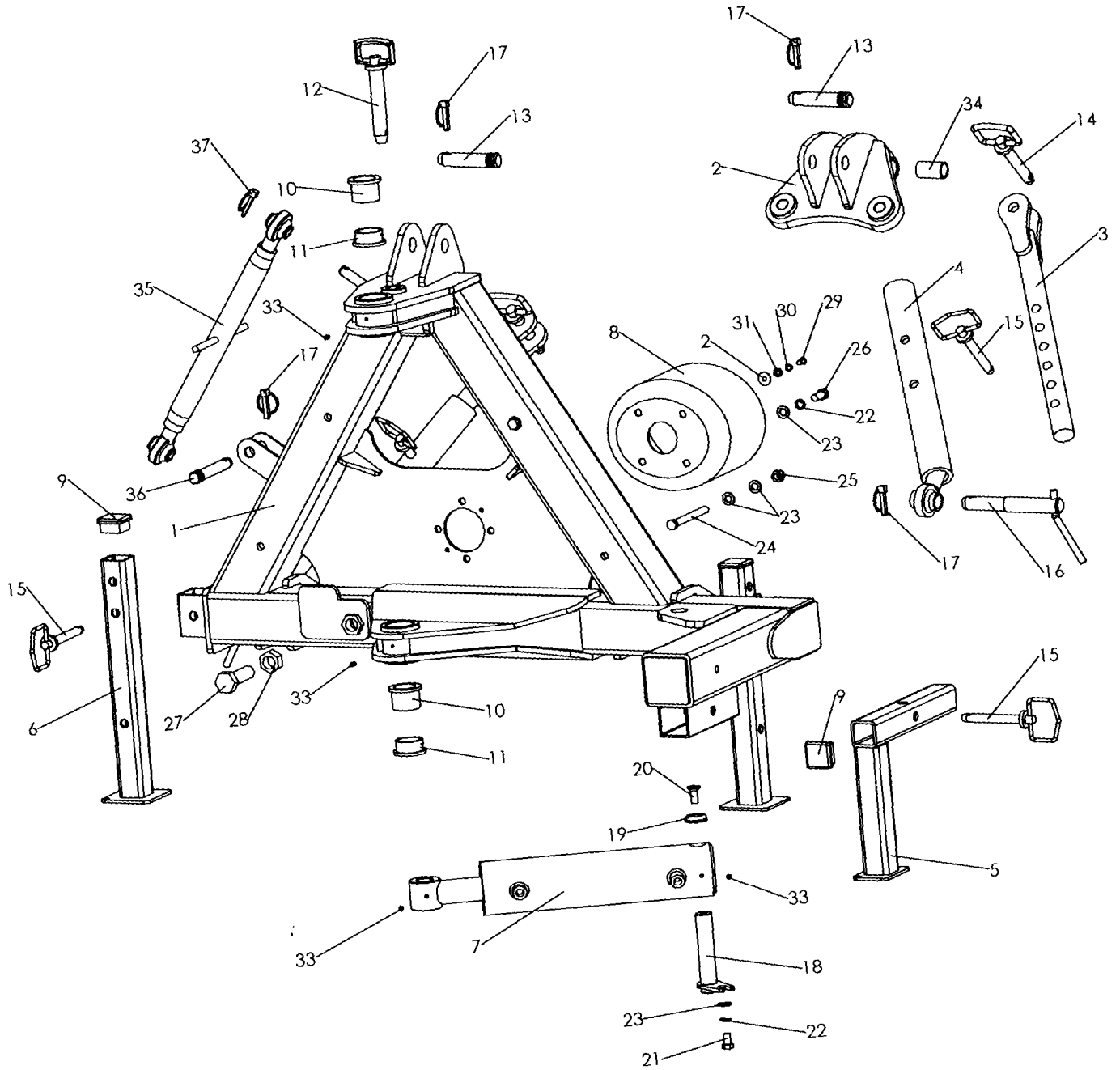
The information contained in this manual is correct at the time of publication. However, in the course of constant development, changes in specification are inevitable. Should you find the information given in this book different to the machine it relates to, please contact the "After Sales Department" for advice.

Key:

(LH) = Left hand
(RH) = *Right hand*

Spearhead Excel 474 & Twiga 4000

Main Frame Assembly



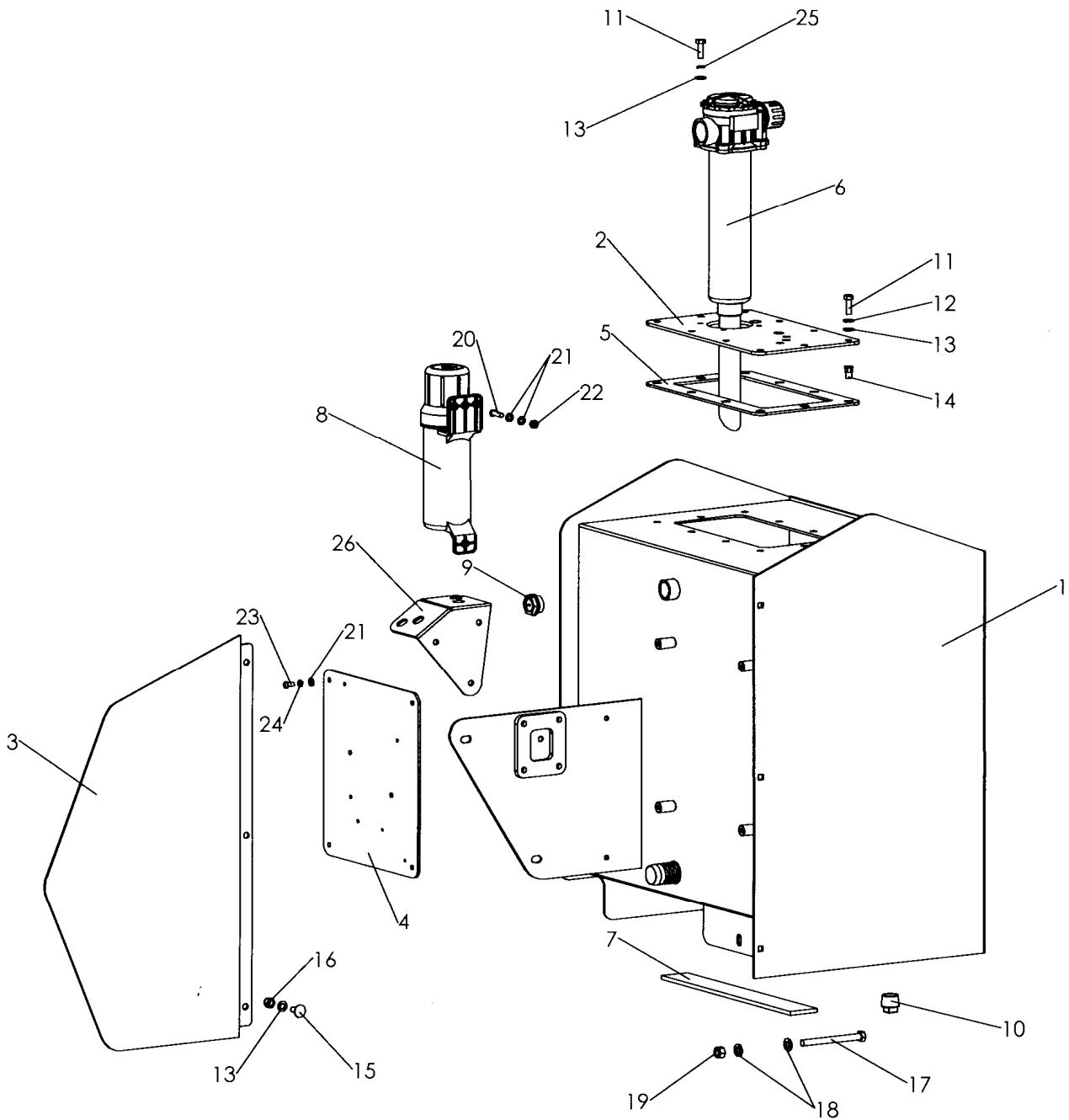
Spearhead Excel 474 & Twiga 4000

Main Frame Assembly

REF. NO	PART NO.	DESCRIPTION
1	1800300	LH A FRAME
-	1800338	RH A FRAME
2	1800308	STABILISER BRACKET
3	1800309	STABILISER BAR
4	1800310	STABILISER TUBE
5	1777871	REAR LEG
6	1777870	FRONT LEG
7	3580666	SLEW RAM
8	5770106	PLASTIC CONE
9	07.262.03	PLASTIC CAP
10	4600127-A	FLANGE BUSH
11	4600126	FLANGE BUSH
12	6310239	SLEW LOCK PIN
13	6310203	TOP LINK PIN
14	6310215	PIN WITH HANDLE
15	6310220	PIN WITH HANDLE
16	1777068	LOWER LINK PIN
17	6310206	LYNCH PIN
18	1777556	PEAR PIN
19	1777209	RETAINING WASHER
20	2770506	CSK SCREW: M12
21	2770444	BOLT: M12
22	2770442	SPRING WASHER: M12
23	2770436	FLAT WASHER: M12
24	2770410	BOLT: M12
25	2770417	NYLOC NUT: M12
26	2770420	BOLT: M12
27	2770551	BOLT: M24
28	2770460	NUT: M24
29	2770370	BUTTON BOLT: M8
30	2770433	SPRING WASHER: M8
31	2770432	FLAT WASHER: M8
32	2770244	REPAIR WASHER: M8
33	2770467	M6 GREASE NIPPLE
34	6310214	CONVERSION BUSH
35	6310233	TRANSPORT LINK
36	6310202	PIN
37	6310207	LYNCH PIN

Spearhead Excel 474 & Twiga 4000

Tank Assembly



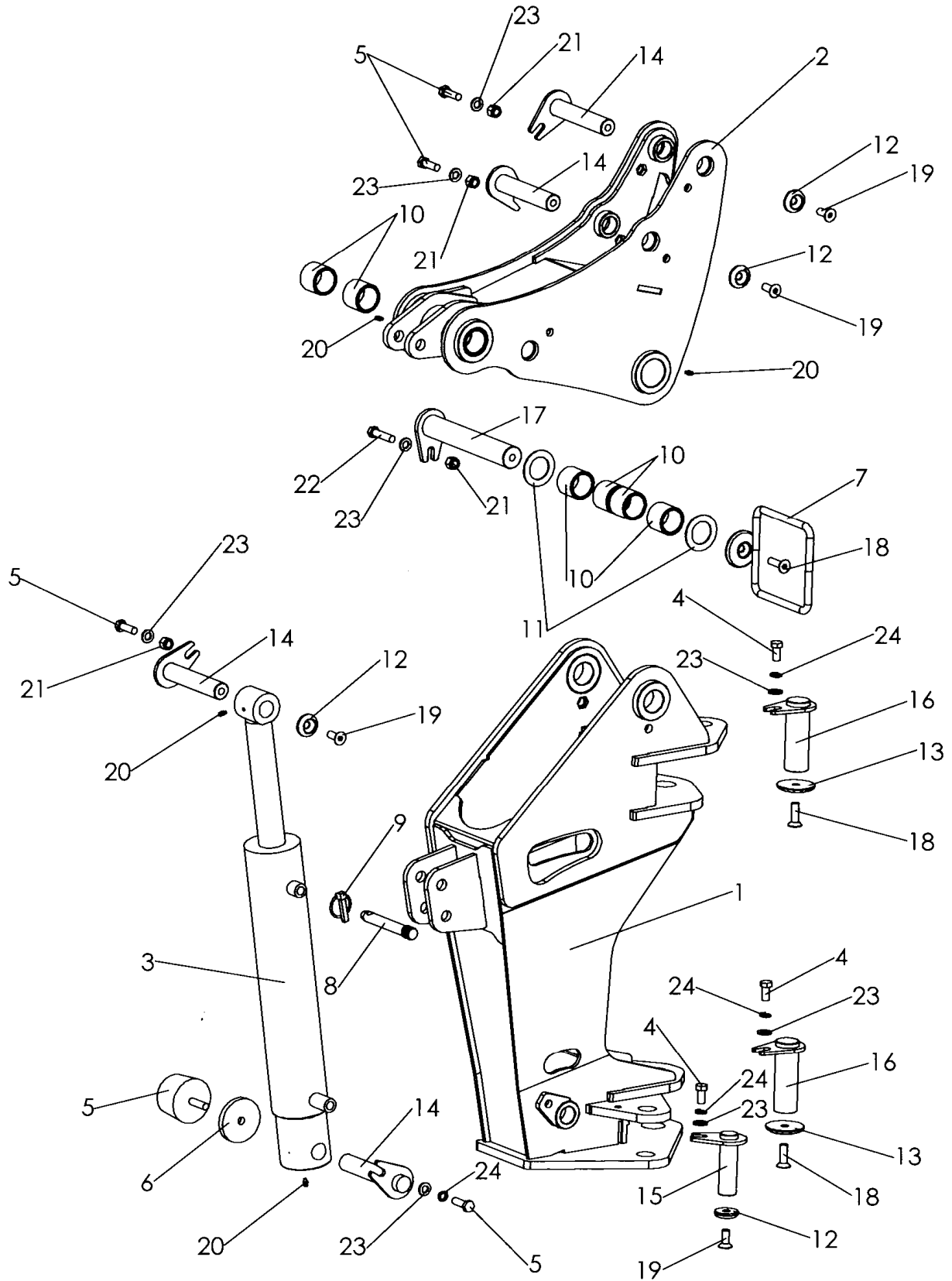
Spearhead Excel 474 & Twiga 4000

Tank Assembly

REF. NO	PART NO.	DESCRIPTION
1	1800301	LH TANK
-	1800339	RH TANK
2	1800357	TANK LID
3	1800303	LH REAR PANEL
-	1800340	RH REAR PANEL
4	1800305	VALVE MOUNT PLATE
5	1800307	TANK LID GASKET
6	3900080	RETURN FILTER ASSY (AFTER NOV – 08)
	3900079	ELEMENT
6	3900051	RETURN FILTER ASSEMBLY (BEFORE NOV 08)
	3900060	ELEMENT
7	8400213	RUBBER MAT
8	46505.01	DOCUMENTS HOLDER
9	3900063	LEVEL GAUGE
10	3460106	MALE PLUG
11	2770421	BOLT: M10
12	2770434	FLAT WASHER: M10
13	2770353	FIBRE WASHER: M10
14	2770203	RIVNUT: M10
15	2770255	COACH BOLT: M10
16	2770412	NYLOC NUT: M10
17	2770410	BOLT: M10
18	2770436	FLAT WASHER: M12
19	2770417	NYLOC NUT: M12
20	2770368	BUTTON BOLT: M8
21	2770432	FLAT WASHER: M8
22	2770416	NYLOC NUT: M8
23	2770253	BUTTON BOLT: M8
24	2770433	SPRING WASHER: M8
25	2770469	SPRING WASHER: M10
26	180418	BOTTLE BRACKET

Spearhead Excel 474 & Twiga 4000

Slew & Lift Frame Assembly



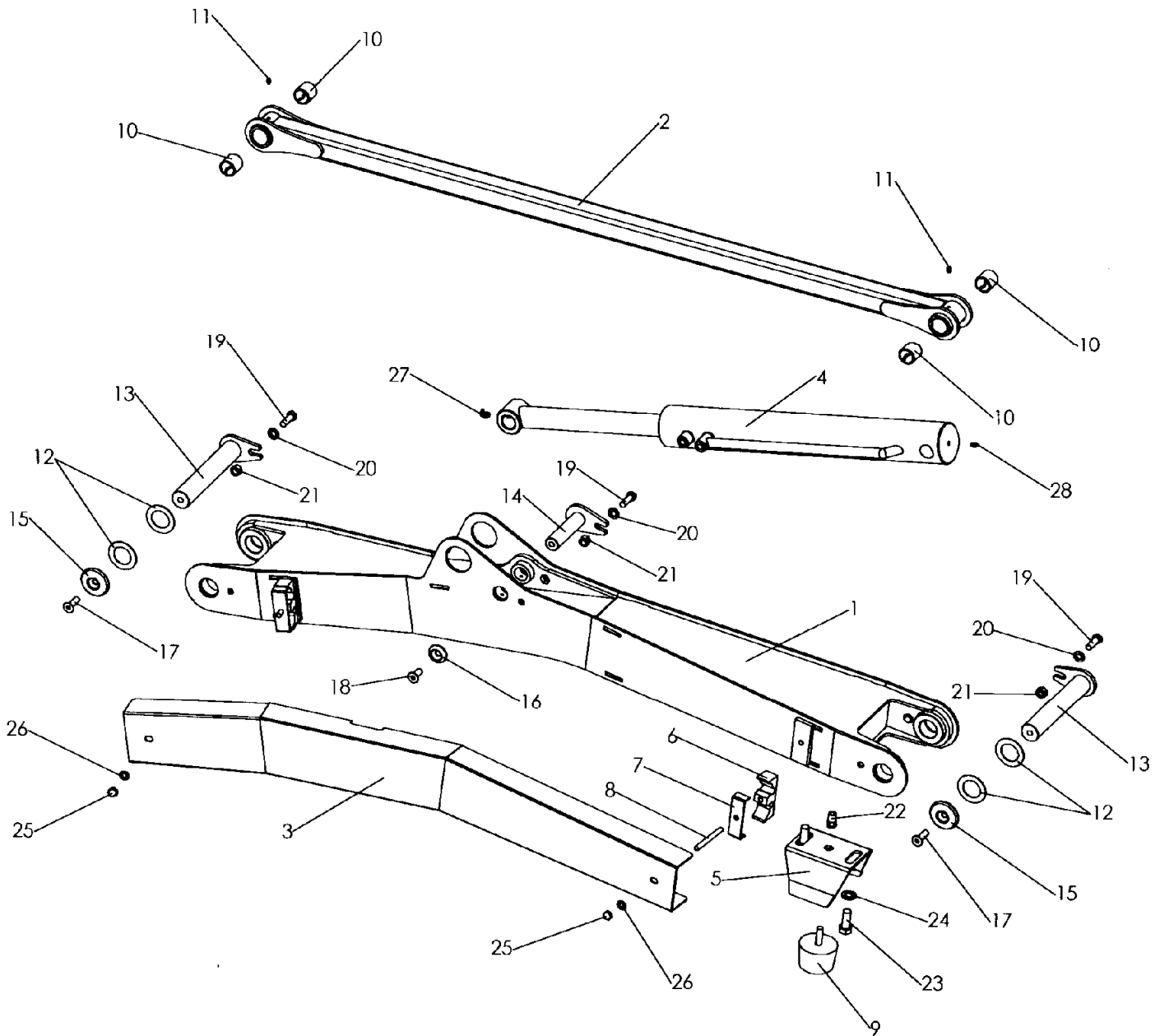
Spearhead Excel 474 & Twiga 4000

Slew & Lift Frame Assembly

REF. NO	PART NO.	DESCRIPTION
1	1800304	LH SLEW POST
-	1800335	RH SLEW POST
2	1800305	LIFT FRAME
3	3580649A	MAIN LIFT RAM
-	3570667HP	SEAL KIT
4	2770484	BOLT: M12
5	2770535	BOLT: M12
5	8770634	RUBBER CUSHION
6	1777029	SPACER
7	1770693	HOSE GUIDE
8	6310202	CAT 1 TOP LINK PIN
9	6310206	LYNCH PIN
10	4600125	BUSH
11	191.067	SPACER
12	1777209	40MM WASHER
13	1777208	65MM WASHER
14	1777467	PIN: 30 MM
15	1782069	PIN: 30 MM
16	1782071	PIN: 40 MM
17	1777910A	PIN: 40 MM
18	2770398	SCREW: M12
19	2770506	SCREW: M12
20	2770467	M6 GREASE NIPPLE
21	2770417	M12 NYLOC NUT
22	2770419	BOLT: M12
23	2770436	M12 FLAT WASHER
24	2770442	M12 SPRING WASHER

Spearhead Excel 474 & Twiga 4000

Main Arm Assembly



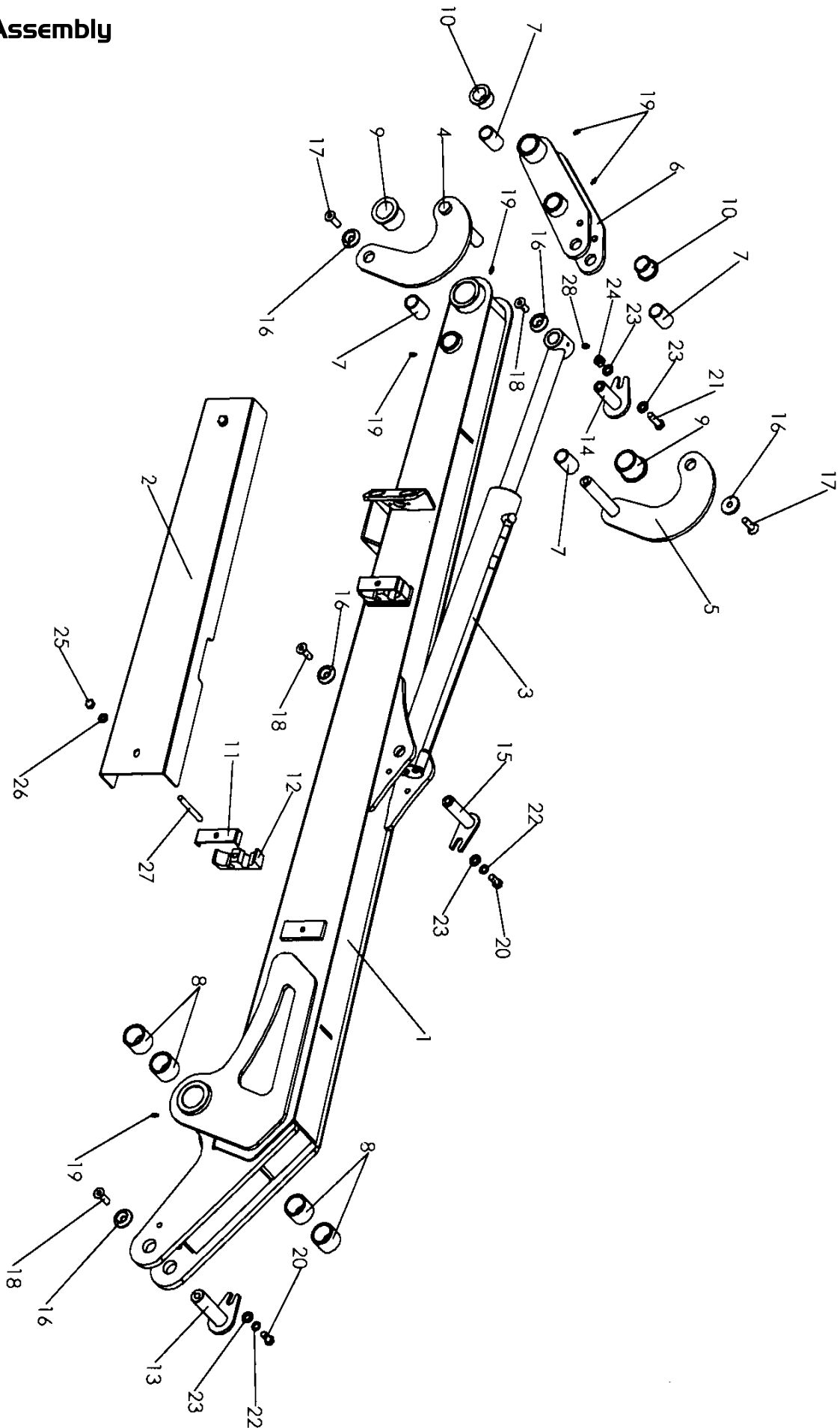
Spearhead Excel 474 & Twiga 4000

Main Arm Assembly

REF. NO	PART NO.	DESCRIPTION
1	1800108	LH MAIN ARM
-	1800335	RH MAIN ARM
2	1800306	TIE BAR
3	1800117	LH HOSE GUARD
-	1800137	RH HOSE GUARD
4	3580640	RAM
-	3570664HP	SEAL KIT
5	1777144	STOP BRACKET
6	45630.01	HOSE CLAMP
7	1777955	HOSE CLAMP PLATE
8	04.282.10	STUD: M10
9	8770634	BUMP STOP
10	4600411	BUSH
11	2770467	M6 GREASE NIPPLE
12	191.067	SPACER
13	1777910A	PIN: 40 MM
14	1777912A	PIN: 30 MM
15	1777208	65MM WASHER
16	1777209	40MM WASHER
17	2770398	SCREW: M12
18	2770506	SCREW: M12
19	2770535	BOLT: M12
20	2770436	M12 FLAT WASHER
21	2770417	M12 NYLOC NUT
22	2770205	M12 RIVNUT
23	2770472	BOLT: M16
24	2770454	M16 FLAT WASHER
25	9100025	M10 DOMED NUT
26	2770434	M10 FLAT WASHER
27	2770502	GREASE NIPPLE
28	01.070.04	GREASE NIPPLE

Spearhead Excel 474 & Twiga 4000

Dipper Arm Assembly



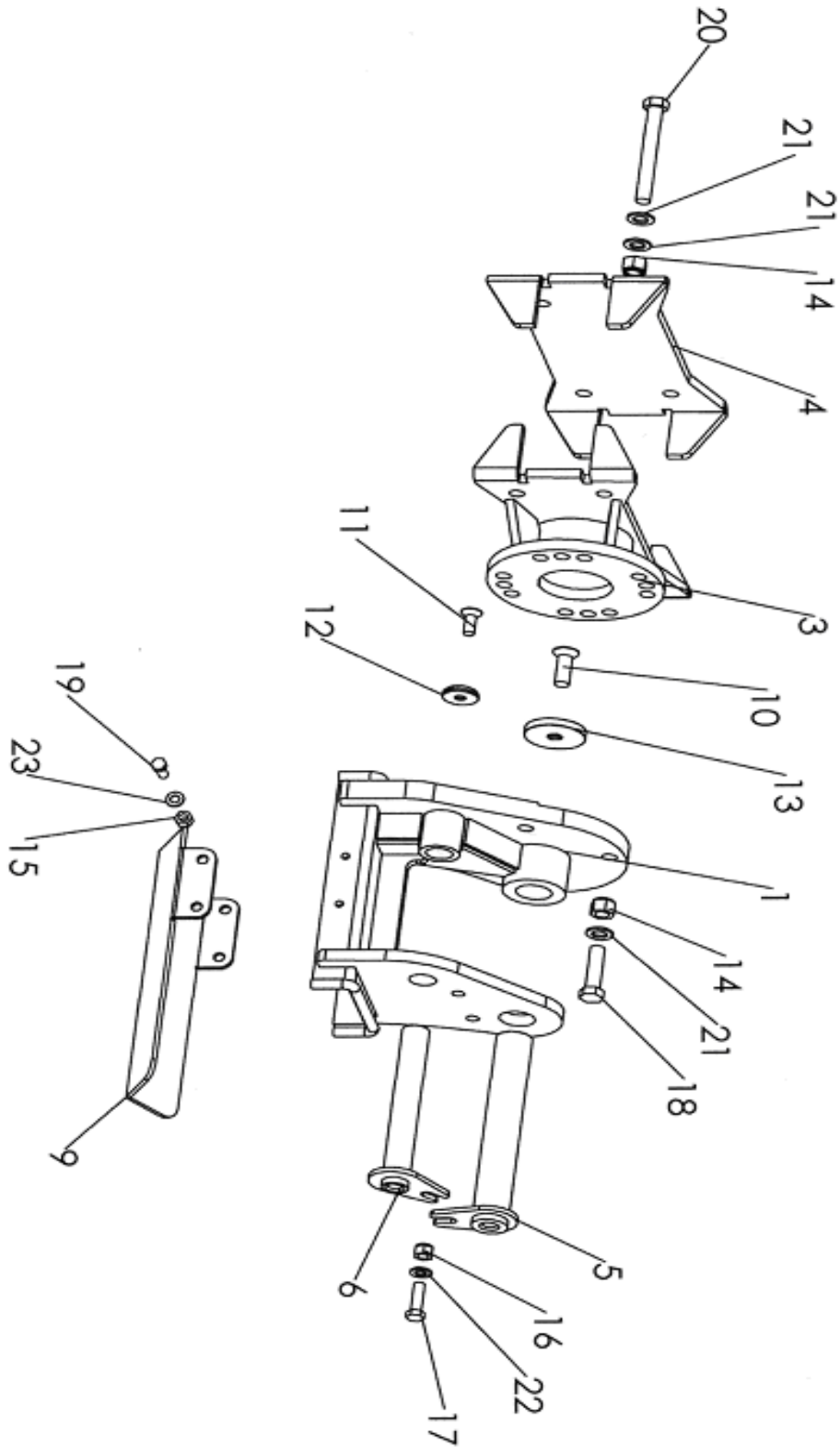
Spearhead Excel 474 & Twiga 4000

Dipper Arm Assembly

REF. NO	PART NO.	DESCRIPTION
1	1800109	LH DIPPER ARM
1	1800127	RH DIPPER ARM
2	1800106	HOSE GUARD
3	3580636	HEAD RAM
-	3570666HP	SEAL KIT
4	1800141	LH CURVED LINK
5	1800142	RH CURVED LINK
6	1777116A	HEAD CROWD LINK
7	4600124	BUSH
8	4600125	BUSH
9	4600127-A	BUSH
10	4600135	BUSH
11	1777955	HOSE CLAMP PLATE
12	45630.01	HOSE CLAMP
13	1777915A	PIN: 30
14	1777918A	PIN: 25.4
15	1778038	PIN: 25.4
16	1777209	40MM WASHER
17	2770398	SCREW: M12
18	2770506	SCREW: M12
19	2770467	M6 GREASE NIPPLE
20	2770484	BOLT: M12
21	2770458	BOLT: M12
22	2770442	M12 SPRING WASHER
23	2770436	M12 FLAT WASHER
24	2770417	M12 NYLOC NUT
25	9100025	M10 DOMED NUT
26	2770434	M10 FLAT WASHER
27	04.282.10	STUD: M10
28	01.070.04	GREASE NIPPLE

Spearhead Excel 474 & Twiga 4000

Head Mount Bracket Assembly



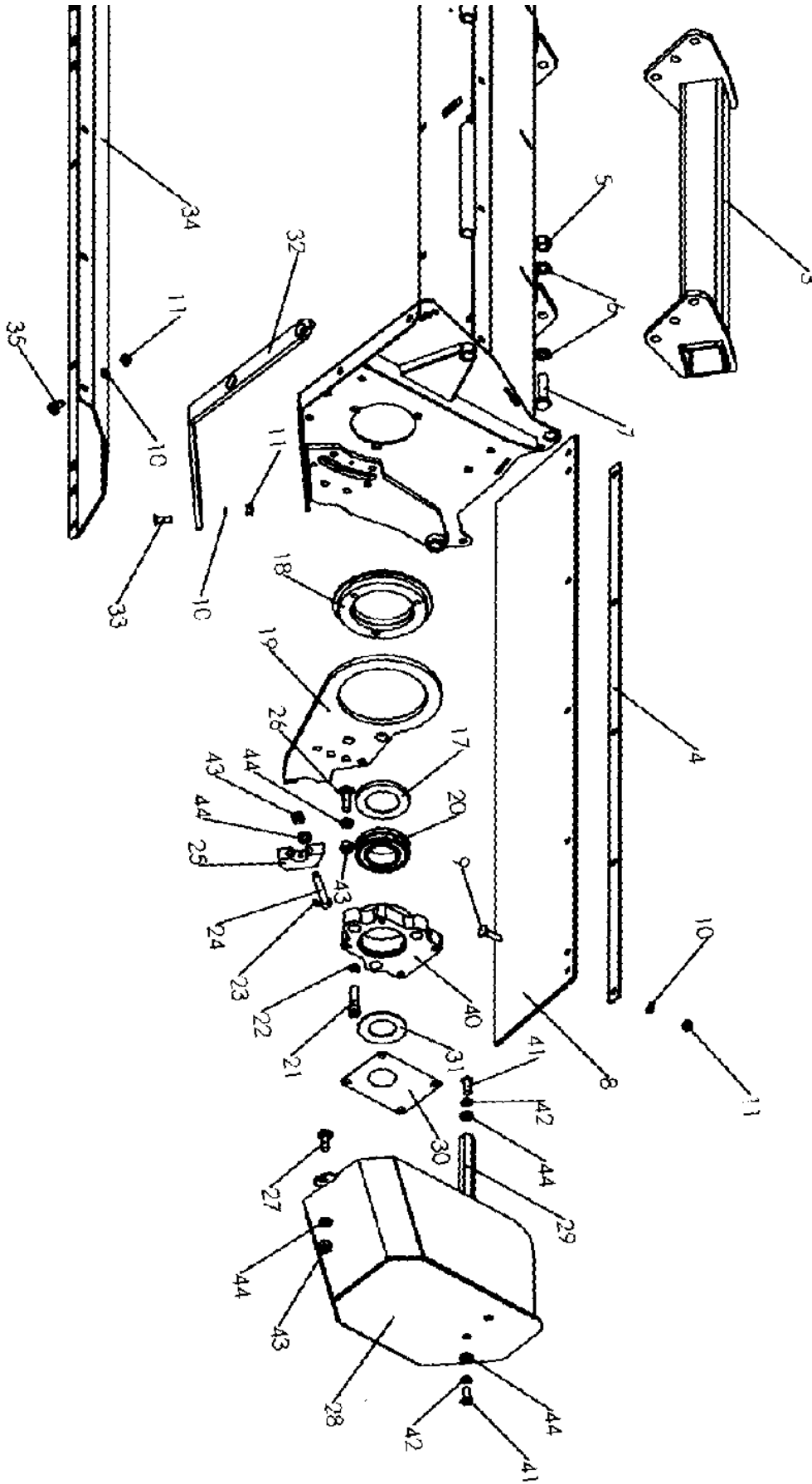
Spearhead Excel 474 & Twiga 4000

Head Mount Bracket Assembly

REF. NO	PART NO.	DESCRIPTION
1	1777316E	HEAD CROWD BRACKET
1	1777316ER	HEAD CROWD BRACKET
3	1777315B	HEAD ANGLE BRACKET
4	1777325B	HEAD RETAINING PLATE
5	1777911A	PEAR PIN
6	1777914A	PEAR PIN
9	1777879	HOSE CARRIER BRACKET
10	2770461	SOCKET SCREW
11	2770506	SOCKET SCREW
12	1777209	RETAINING WASHER
13	1777850A	RETAINING WASHER
14	2770447	NYLOCK NUT
15	2770434	FLAT WASHER
16	2770417	NYLOCK NUT
17	2770458	SET SCREW
18	2770423	SET SCREW
19	2770407	SET SCREW
20	2770346	BOLT
21	2770454	FLAT WASHER
22	2770436	FLAT WASHER
23	2770469	SPRING WASHER

Spearhead Excel 474 & Twiga 4000

Direct
Drive
MP Head



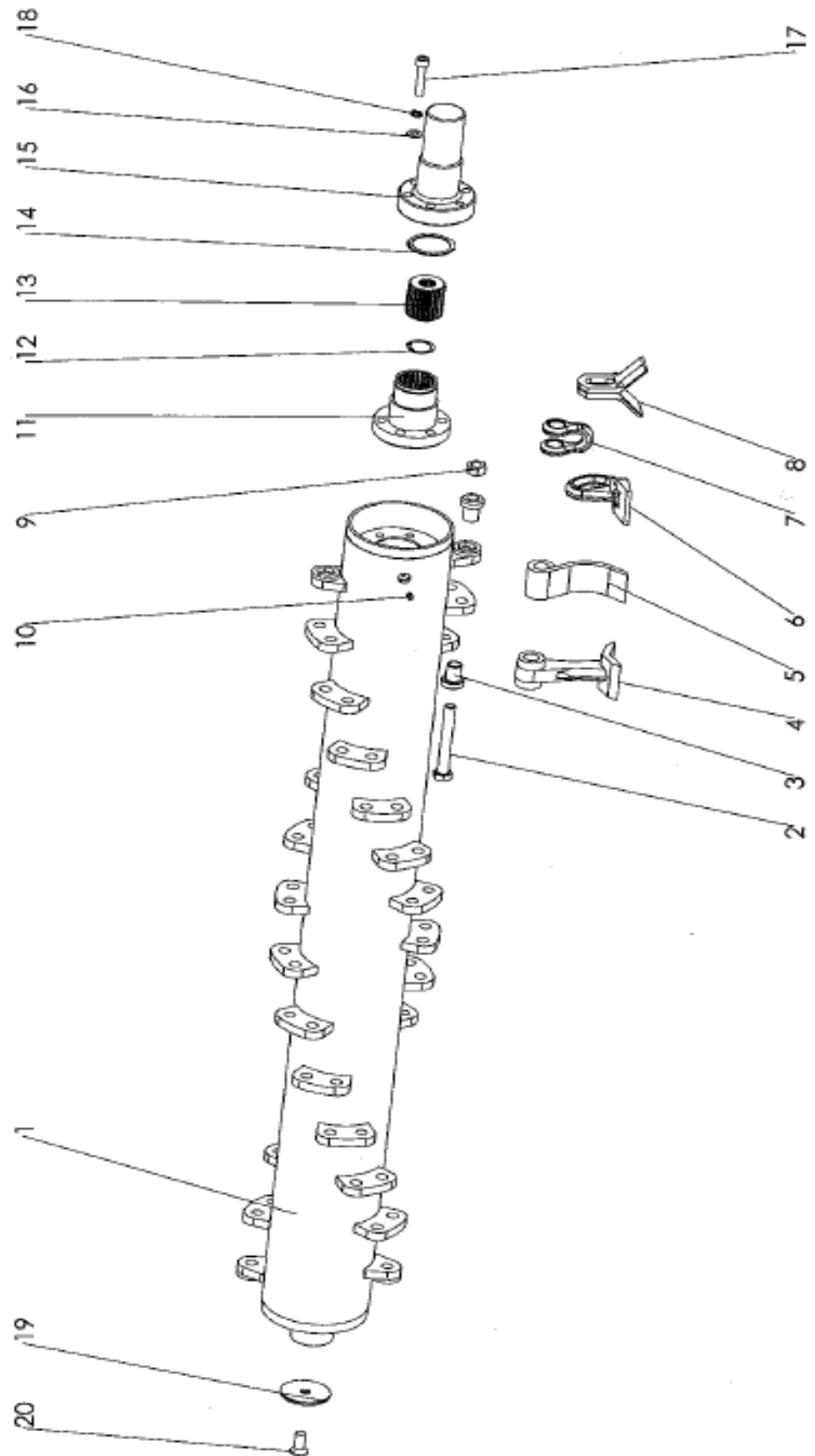
Spearhead Excel 474 & Twiga 4000

Direct Drive MP Head

REF. NO	PART NO.	DESCRIPTION
1	1800183	HEAD SHELL – 1.2M
2	1778064	FRONT HOOD – 1.2M
3	1800184	HEAD MOUNT BRACKET
4	1777398	RETAINING BAR 1.2M
5	2770447	LOCKNUT
6	2770454	FLAT WASHER
7	2770425	BOLT
8	8400207B	REAR FLAP 1.2M
9	2770257	BOLT
10	2770434	FLAT WASHER
11	2770412	LOCKNUT
12	9300148	SCREW
13	2770442	SPRING WASHER
14	1800186	NON DRIVE COVER
15	1800187	BEARING HOUSING
16	2777521	CIRCLIP
17	3570676	SEAL
18	1800188	PROTECTION RING
19	1778060L	LH ROLLER PLATE
20	4770666	BEARING
21	2770337	SCREW
22	2770457	SPRING WASHER
23	2770467	GREASE NIPPLE
24	2770347	SCREW
25	040000D	ROLLER CLAMP
26	2770259	BOLT
27	2770258	BOLT
28	1800255	LH MOTOR GUARD
	1800256	RH MOTOR GUARD
29	1800250	MOUNTING PIN
30	3151019	GASKET
31	1777806	CENTRING WASHER 90MM
32	1777543	SKID
33	2770509	BOLT
34	1800257	INNER SKIN 1.2M
35	2770261	BOLT
36	1800194	HINGE BAR 1.2M
37	2770396	BOLT
38	8400204	FRONT FLAP 1.2M
39	1778060R	RH ROLLER PLATE
40	1800198	BEARING HOUSING
41	05.625.10	BOLT
42	2770442	WASHER
43	2770417	NUT
44	2770436	WASHER
45	05.969.02	SCREW

Spearhead Excel 474 & Twiga 4000

Rotor Assembly MP



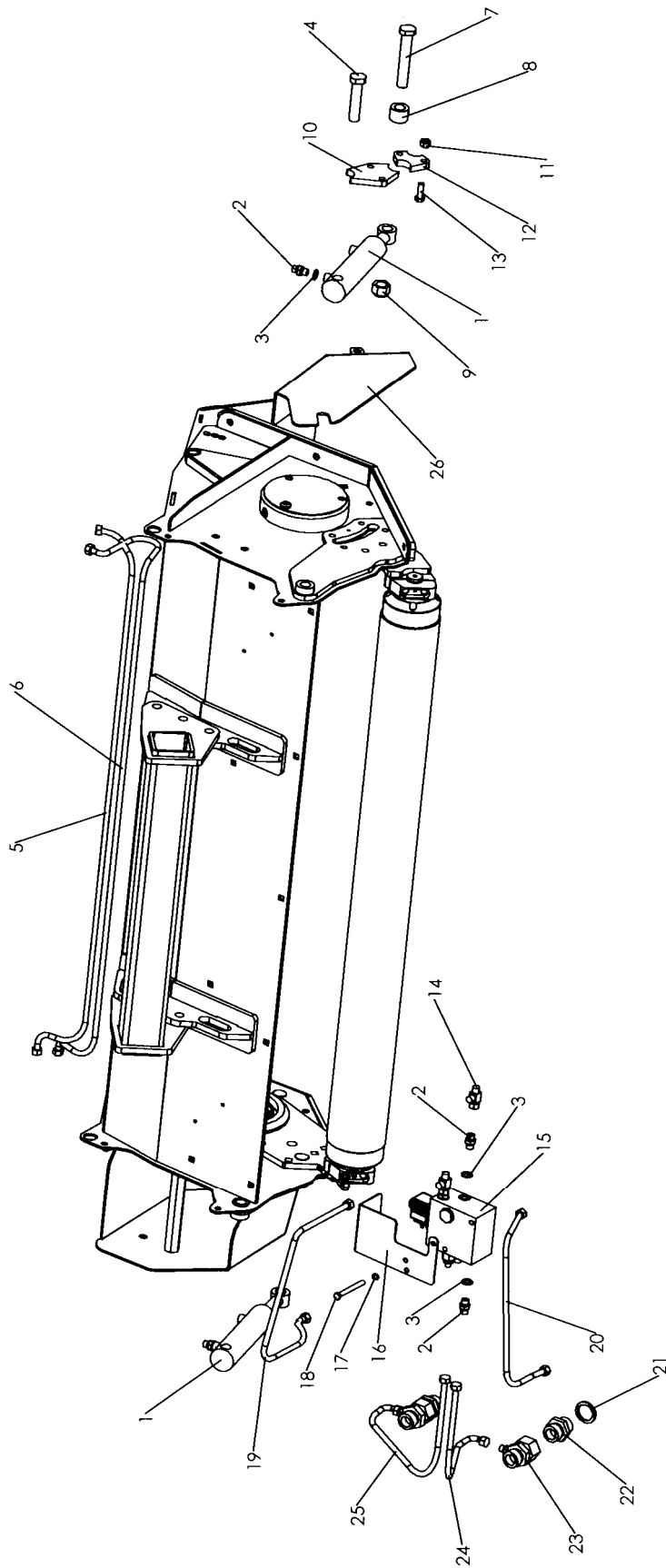
Spearhead Excel 474 & Twiga 4000

Rotor Assembly MP

REF. NO	PART NO.	DESCRIPTION
1	1800260	1.2M ROTOR – T FLAIL
	1800261	LH 1.2M ROTOR – C FLAIL
	1800262	RH 1.2M ROTOR – C FLAIL
	1800263	LH 1.2M ROTOR – BOOT FLAIL
	1800264	RH 1.2M ROTOR – BOOT FLAIL
	1800265	1.2M ROTOR – B2B FLAIL
2	2770599	BOLT
3	1777721	BUSH
4	7770713	T FLAIL
5	7770699	C FLAIL
6	7770723A	BOOT FLAIL
7	7770722	SHACKLE
8	7770725	BACK 2 BACK
9	05.968.06	NUT
10	2770467	GREASE NIPPLE
11	1777975	DIRECT DRIVE SHAFT
12	N/A	CIRCLIP
13	N/A	ADAPTOR (PISTON MOTOR)
14	2777511	CIRCLIP
15	N/A	BELT DRIVE SHAFT
16	2770434	WASHER
17	2772293	BOLT
18	2770469	SPRING WASHER
19	1777208	WASHER
20	2770506	SCREW

Spearhead Excel 474 & Twiga 4000

Hyd Rear Roller MP



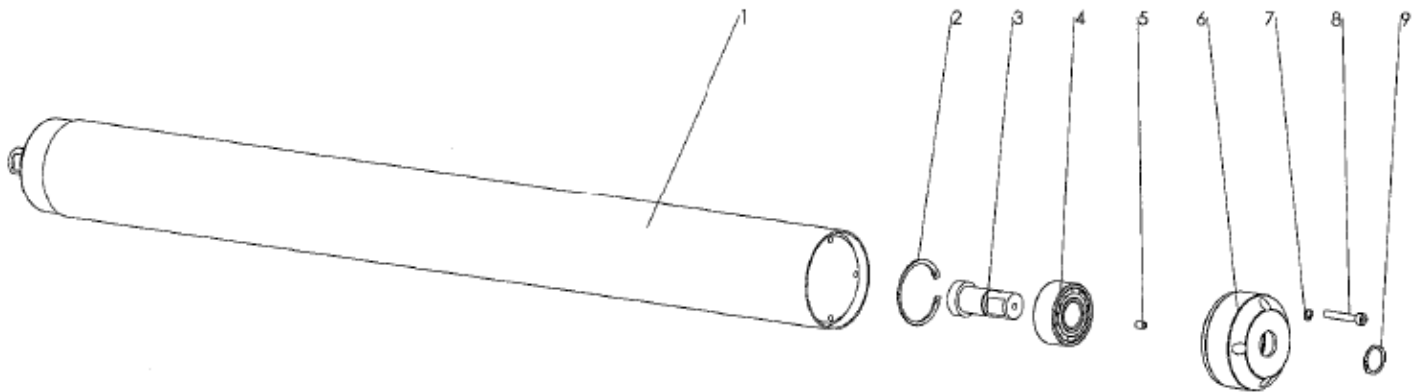
Spearhead Excel 474 & Twiga 4000

Hyd Rear Roller MP

REF. NO	PART NO.	DESCRIPTION
1	3580664	RAM
	3580664W	SEAL KIT
2	3360080	ADAPTOR
3	3260070	WASHER
4	2772308	BOLT
5	3760405	HOSE
6	3760404	HOSE
7	2772309	BOLT
8	1778062	SPACER
9	2770344	LOCKNUT
10	1778058	STOP PLATE – LARGE
11	2770402	LOCKNUT
12	1778059	STOP PLATE – SMALL
13	2770396	BOLT
14	3460100	ADAPTOR
15	3610082	VALVE ASSY
	3610082/1	SOLENOID
	3610030	COIL
	3610048	CAP
16	1800254	GUARD
17	2770433	SPRING WASHER
18	2772289	BOLT
19	3760403	HOSE
20	3760402	HOSE
21	3260074	WASHER
22	3360092	ADAPTOR
23	3700167	ADAPTOR 1"
24	3760401	HOSE
25	3760400	HOSE
26	180367	RH RAM GUARD
	180366	LH RAM GUARD

Spearhead Excel 474 & Twiga 4000

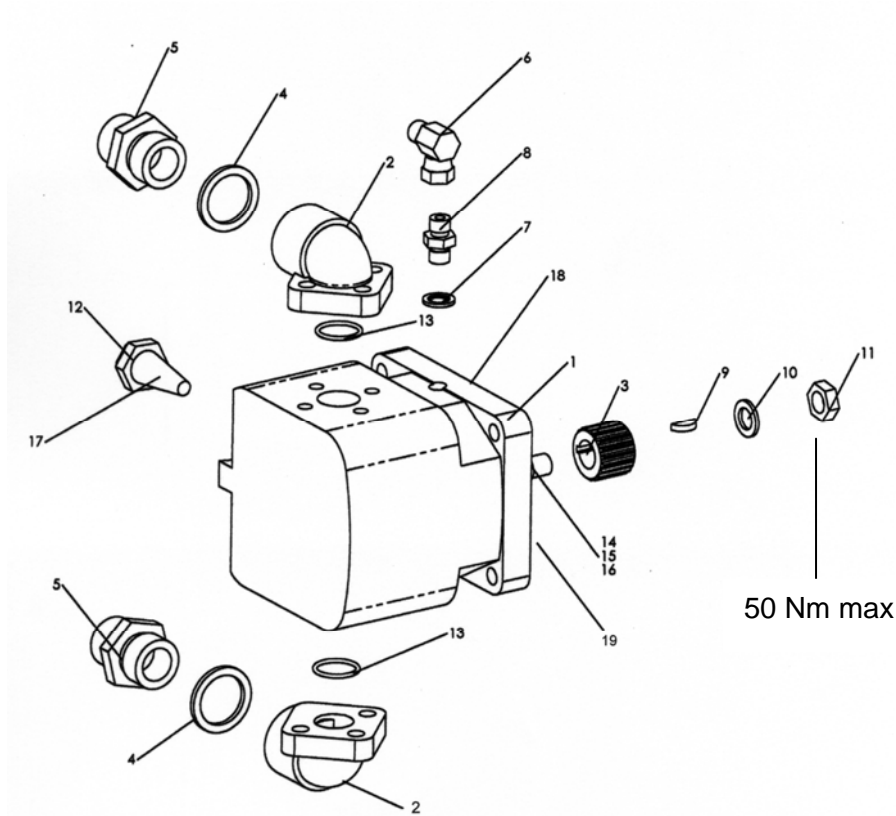
Rear Roller MP



REF. NO	PART NO.	DESCRIPTION
	SA05112	1.2M X 5" ROLLER ASSEMBLY
	SA06112	1.2M X 6" ROLLER ASSEMBLY
1	1800199	1.2M X 5" TUBE
1	1800298	1.2M X 6" TUBE
2	2771108	CIRCLIP
3	1800196	SHAFT
4	4771608	BEARING
5	2770239	SCREW
6	1800195	5" END CAP
6	1800299	6" END CAP
7	2770433	SPRING WASHER
8	05.625.29	BOLT
9	2777519	CIRCLIP

Spearhead Excel 474 & Twiga 4000

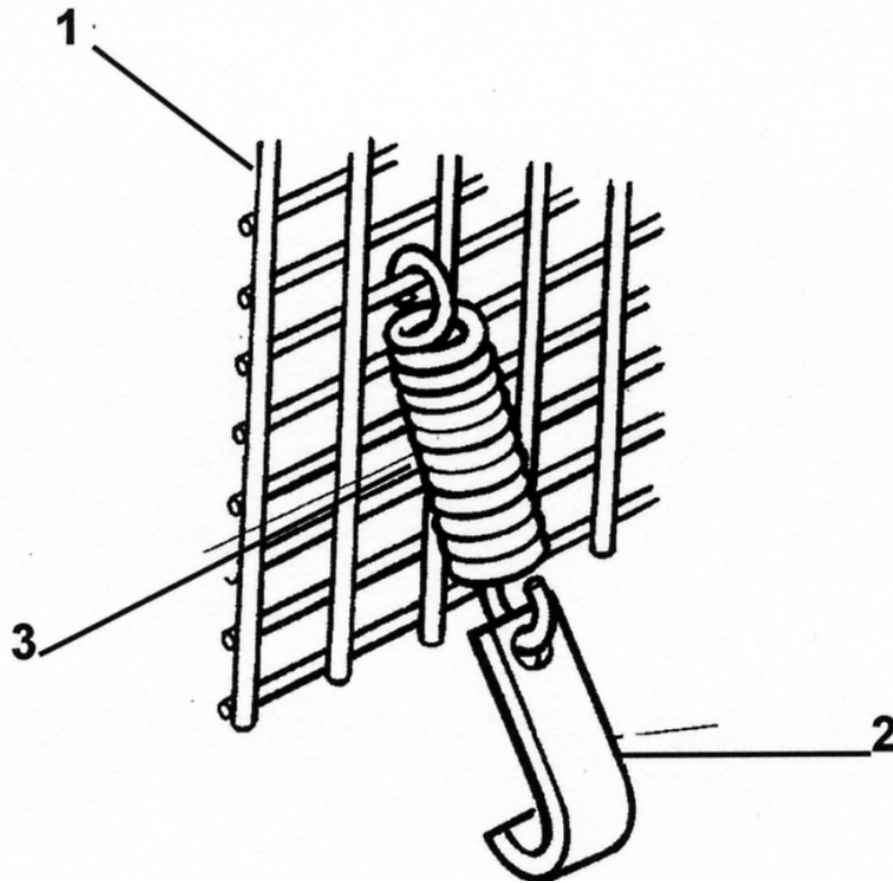
Head Motor Assembly



REF. NO	PART NO.	DESCRIPTION
1	3151034	MOTOR – 34CC
2	3151008	PORT ELBOW
3	3151011	GEAR – BELT DRIVE
3A	3151028	GEAR - DIRECT DRIVE
4	3260074	BONDED SEAL
5	3360092	ADAPTOR
6	3460107	ADAPTOR
7	3260070	BONDED SEAL
8	3250150	ADAPTOR
9	4772226	KEY
10	2770457	WASHER
11	2770350	NUT
12	3610049	ANTI CAVITATION VALVE
13	3261001	O-RING
14	3500001	INNER SEAL (NOT SHOWN)
15	3500003	BACK UP WASHER (NOT SHOWN)
16	3500002	OUTER SEAL (NOT SHOWN)
17	3610061K	ANTI CAV. SEAL KIT (NOT SHOWN)
18	3151016K	MOTOR SEAL
19	3151019	MOTOR BACKING GASKET

Spearhead Excel 474 & Twiga 4000

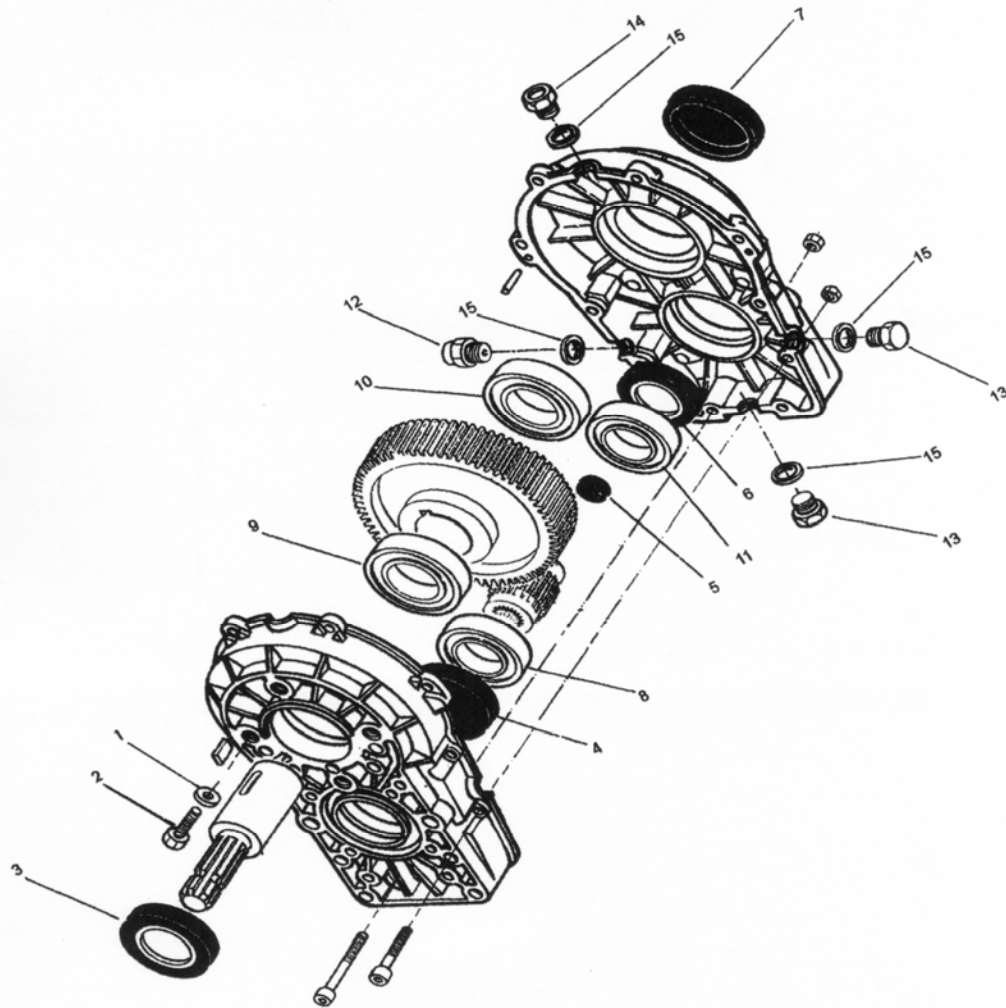
Cab Guard Assembly



REF. NO	PART NO.	DESCRIPTION
	OPT0603	KIT (1,2,3,4)
1	1777140	GUARD
2	41745.01	CLIP
3	6310209	SPRING
4	8550134	RUBBER

Spearhead Excel 474 & Twiga 4000

Gearbox Assembly

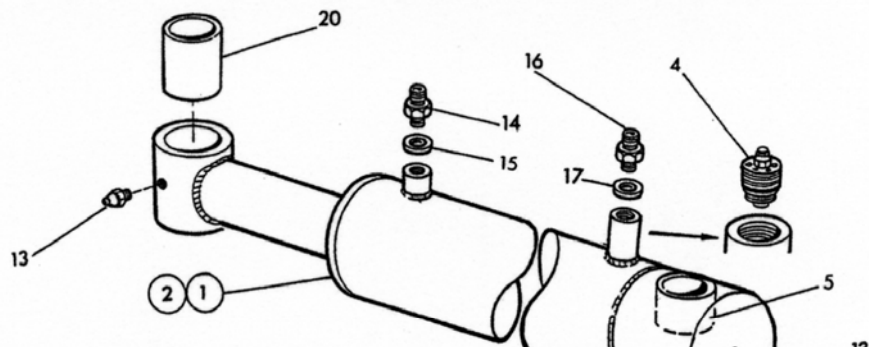


REF. NO	PART NO.	DESCRIPTION
	3151026	GEARBOX ASSEMBLY
1	2770436	WASHER
2	2770535	BOLT
3	5771620	OIL SEAL
4	5771624	OIL SEAL
5	5771622	OIL SEAL
6	5771623	OIL SEAL
7	5771624	OIL SEAL
8	NOT AVAILABLE	BEARING
9	NOT AVAILABLE	BEARING
10	NOT AVAILABLE	BEARING
11	NOT AVAILABLE	BEARING
12	5771607	BREATHER
13	5771608	PLUG
14	5771610	GAUGE
15	5771609	WASHER

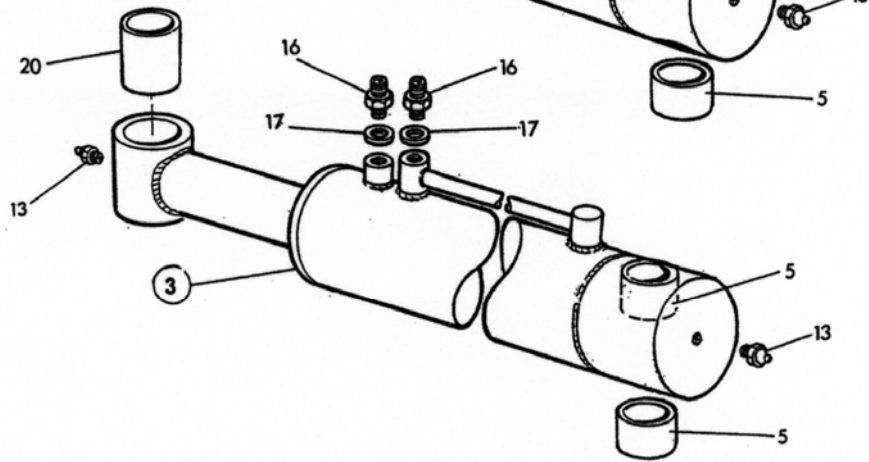
Spearhead Excel 474 & Twiga 4000

Hydraulic Cylinder Assembly

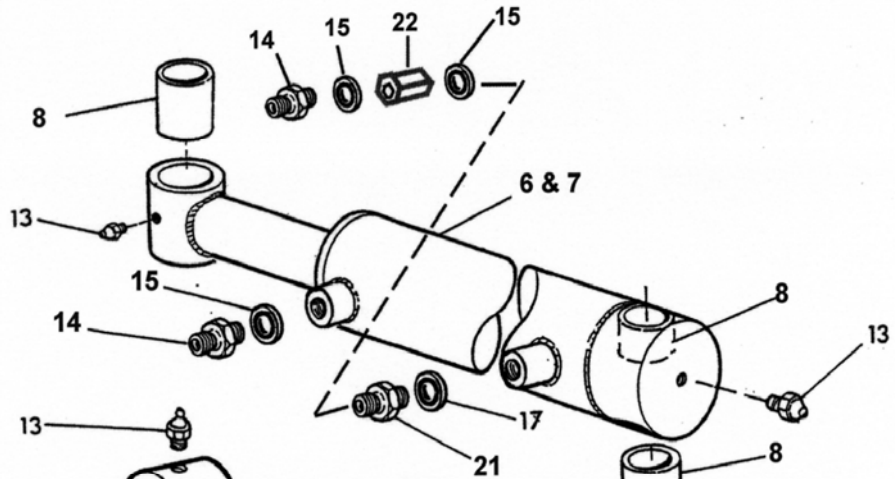
Main lift ram



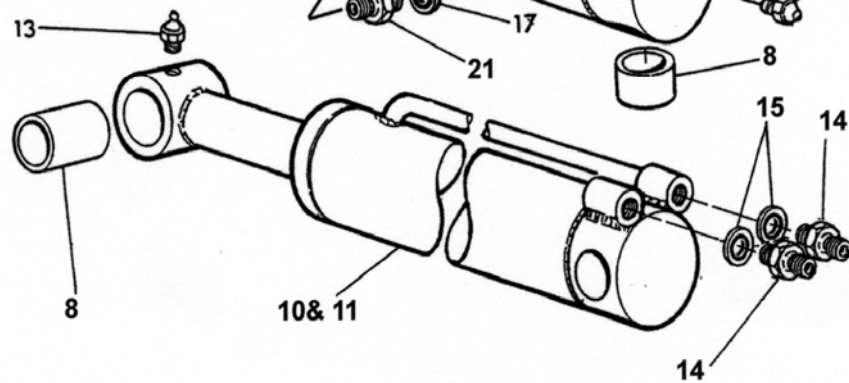
Reach ram



Slew ram



Head ram



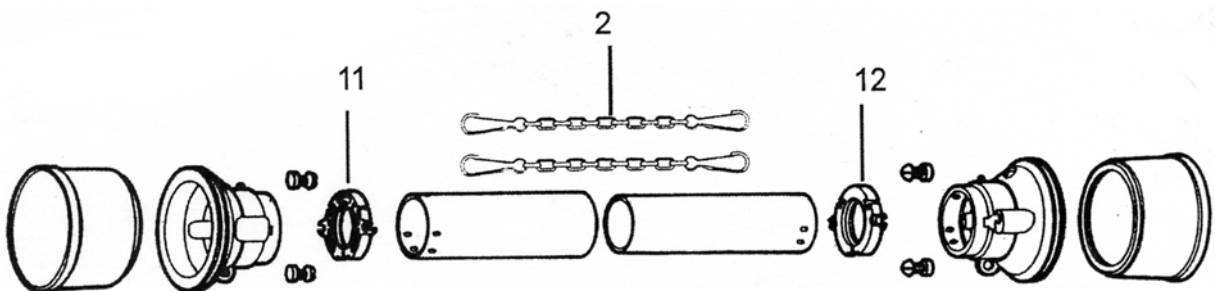
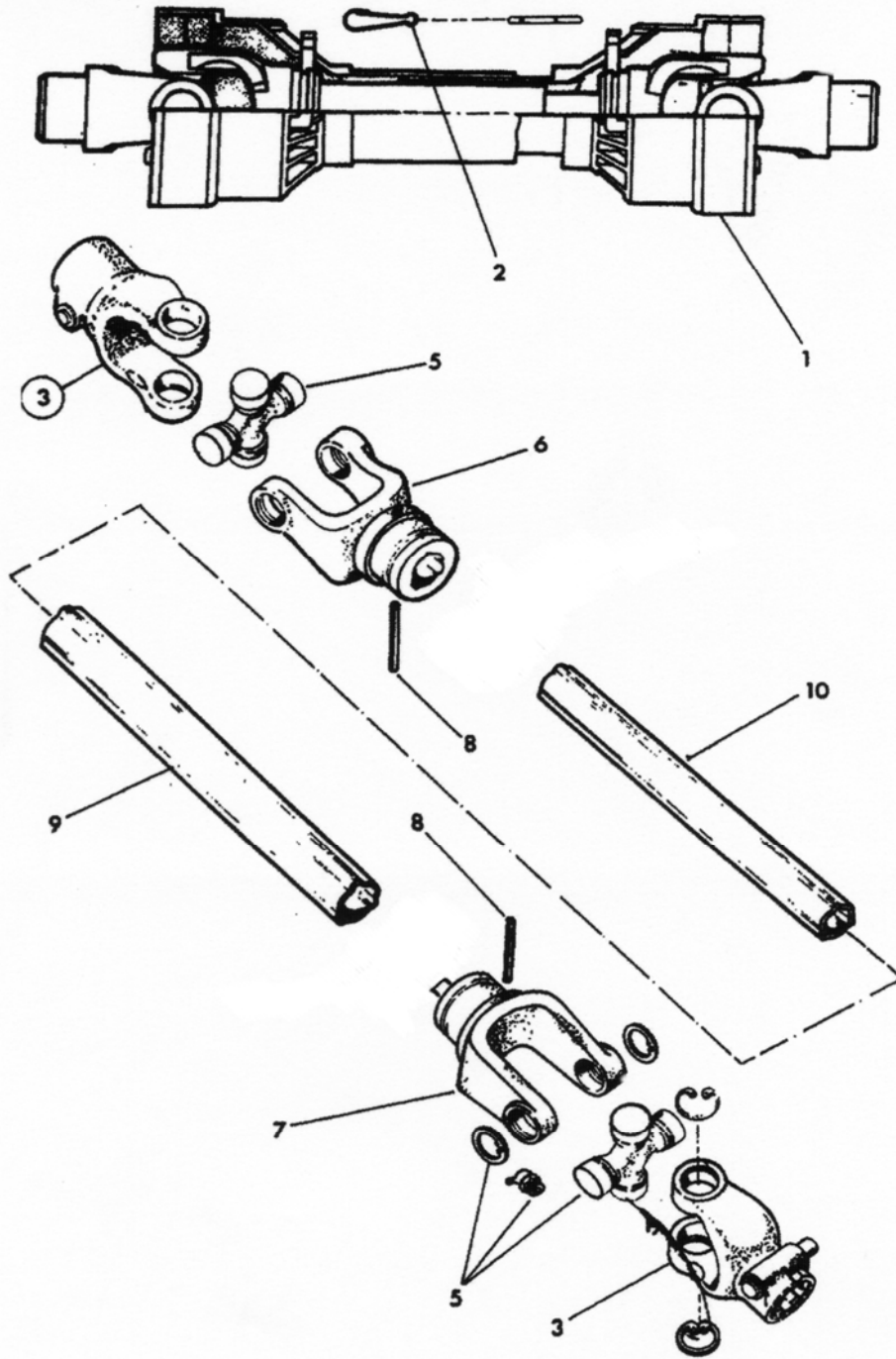
Spearhead Excel 474 & Twiga 4000

Hydraulic Cylinder Assembly

REF. NO	PART NO.	DESCRIPTION
1	3580649A	RAM (90MM MAIN LIFT)
2	3570667HP	RAM SEAL KIT
3	3580640	REACH RAM
	3570664HP	RAM SEAL KIT
4	3600118	CARTRIDGE
5	4600414	BUSH
6	3580666	SLEW RAM
7	3570667HP	RAM SEAL KIT
8	4600413	BUSH
10	3580636	HEAD RAM
11	3570666HP	RAM SEAL KIT
13	2772300	GREASE NIPPLE
14	3360080	ADAPTOR
15	3260070	OIL SEAL
16	3360071	ADAPTOR
17	3260071	OIL SEAL
20	4600412	BUSH
21	3360083	ADAPTOR
22	3900010	ADJUSTABLE FLOW RESTRICTOR

Spearhead Excel 474 & Twiga 4000

P.T.O. Shaft Assembly



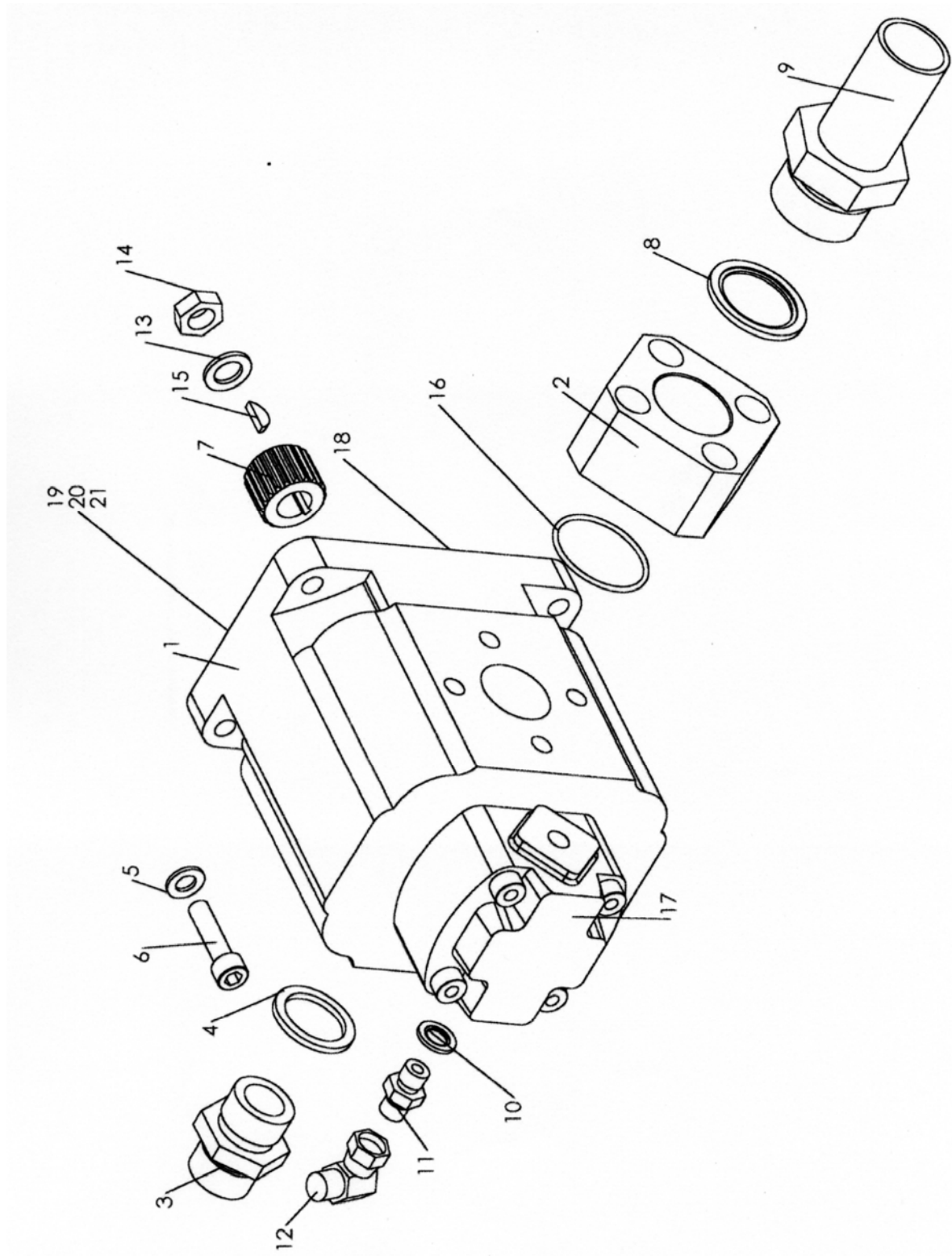
Spearhead Excel 474 & Twiga 4000

P.T.O. Shaft Assembly

REF. NO	PART NO.	DESCRIPTION
1	5770084C	P.T.O.
	5772263	GUARD
2	5771020	CHAIN
3	5772240	YOKE – 6 SPLINE
3A	5772241	YOKE – 21 SPLINE
5	5772242	CROSS JOURNAL
6	5772244	YOKE
7	5772264	YOKE
8	2770479	PIN
9	5772248	TUBE
10	5772250	TUBE
11	4770815	INNER BEARING
12	4770814	OUTER BEARING

Spearhead Excel 474 & Twiga 4000

Tandem Pump Assembly



Spearhead Excel 474 & Twiga 4000

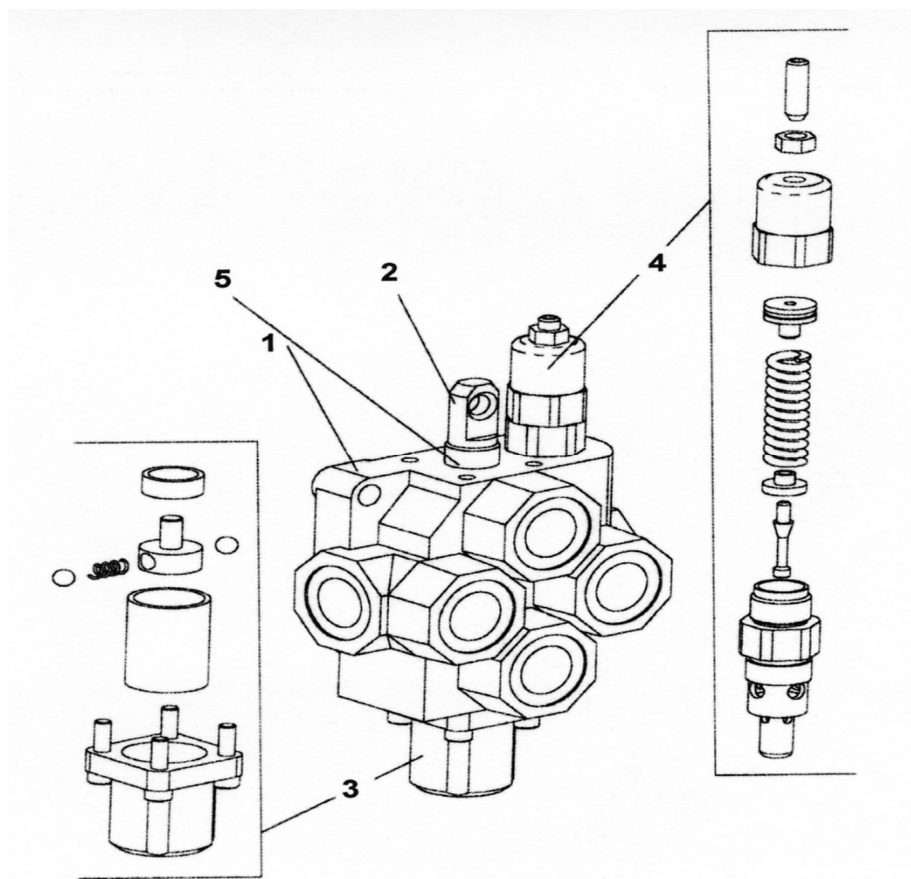
Tandem Pump Assembly

REF. NO	PART NO.	DESCRIPTION
1	3151033A	TANDEM PUMP
2	3761012	STRAIGHT FLANGE
3	3360092	ADAPTOR
4	3260074	BONDED SEAL
5	2770434	FLAT WASHER
6	2772284	BOLT
7	3151011	HUB COUPLING
8	3260075	BONDED SEAL
9	3761000	MALE INSERT
10	3260070	BONDED SEAL
11	3360080	ADAPTOR
12	3460107	ADAPTOR
13	2770457	WASHER
14	2770350	NUT
15	4772226	KEY
16	3261006	O-RING
17	3151043	SERVICE PUMP
18	3151021K	TANDEM SEAL KIT
19	3500002	SHAFT SEAL
20	3151019	GASKET

Spearhead Excel 474 & Twiga 4000

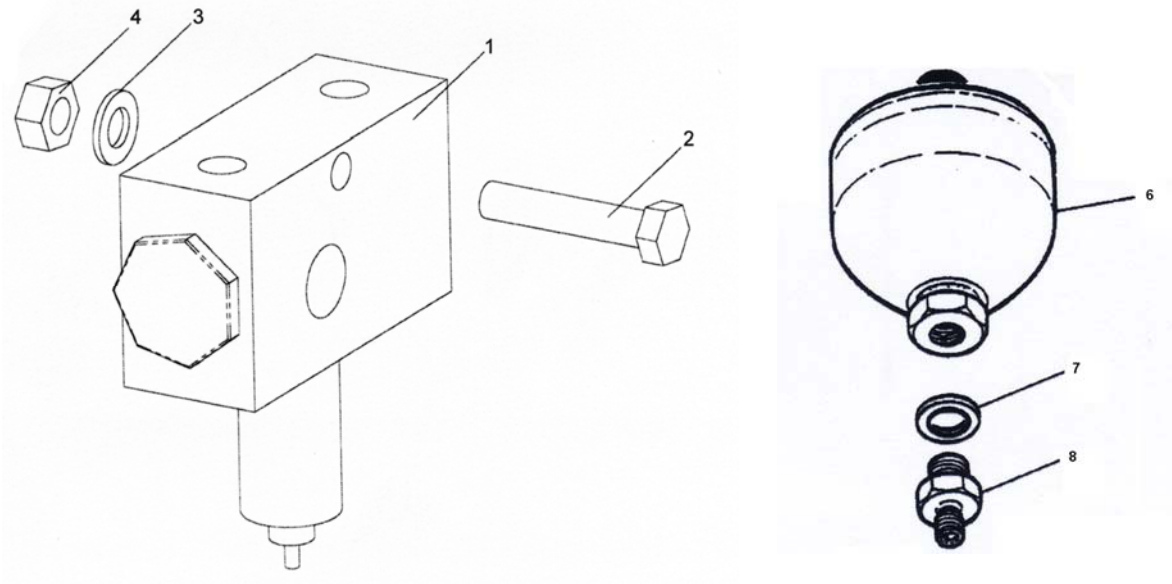
Cable Motor Control Valve

REF. NO	PART NO.	DESCRIPTION
1	8125421	ROTOR VALVE ASSEMBLY
2	-	SPOOL
3	3610081A	SPOOL DETENT KIT (3 POS)
4	3600080	VALVE CARTRIDGE
5	3600101S	O-RING



Spearhead Excel 474 & Twiga 4000

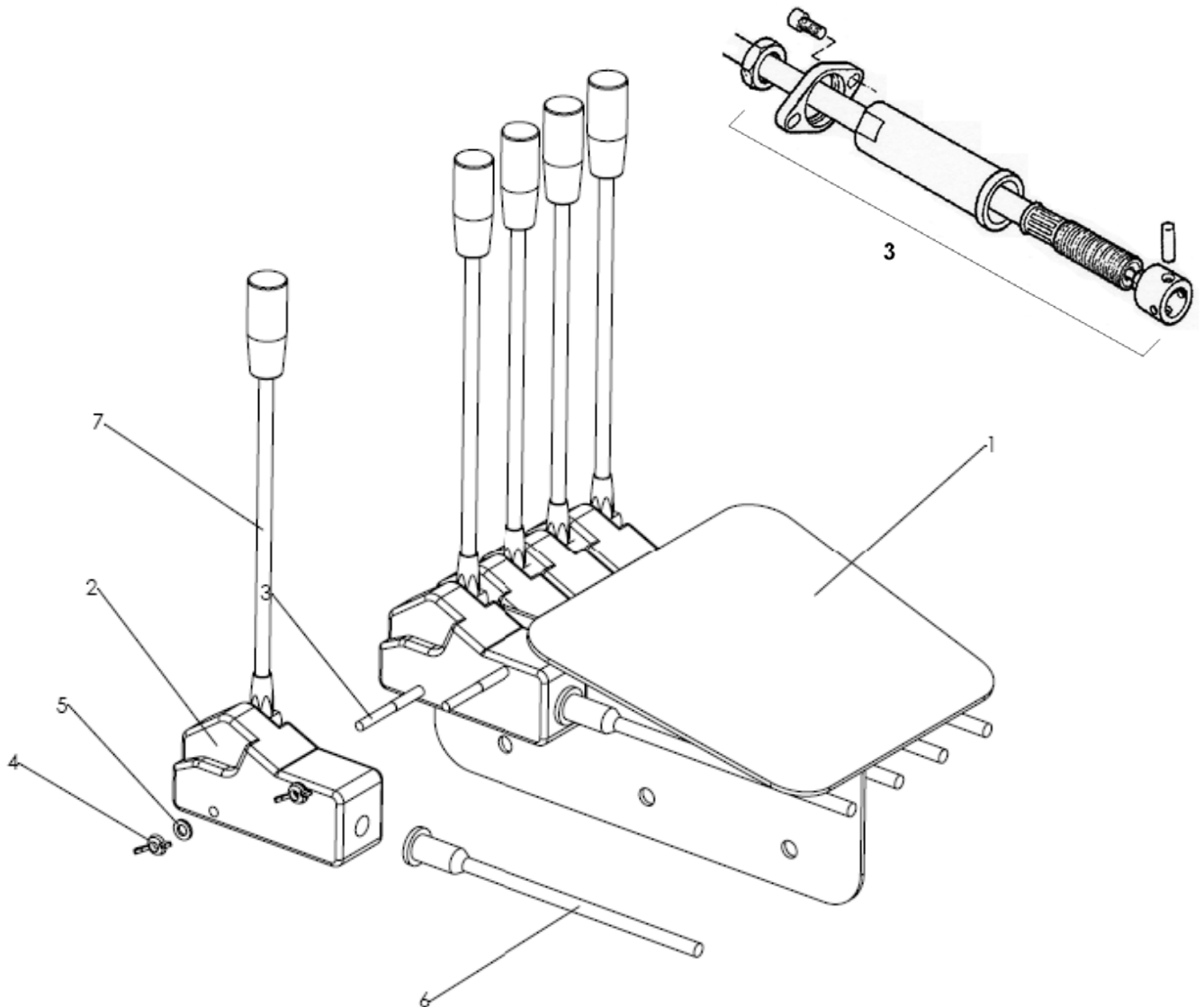
Break Back Valve



REF. NO	PART NO.	DESCRIPTION
1	3610056A	BREAK BACK VALVE
2	2772285	BOLT
3	2770434	FLAT WASHER
4	2770438	FULL NUT
6	3900074	ACCUMULATOR
7	3260072	SEAL
8	3360074	ADAPTOR

Spearhead Excel 474 & Twiga 4000

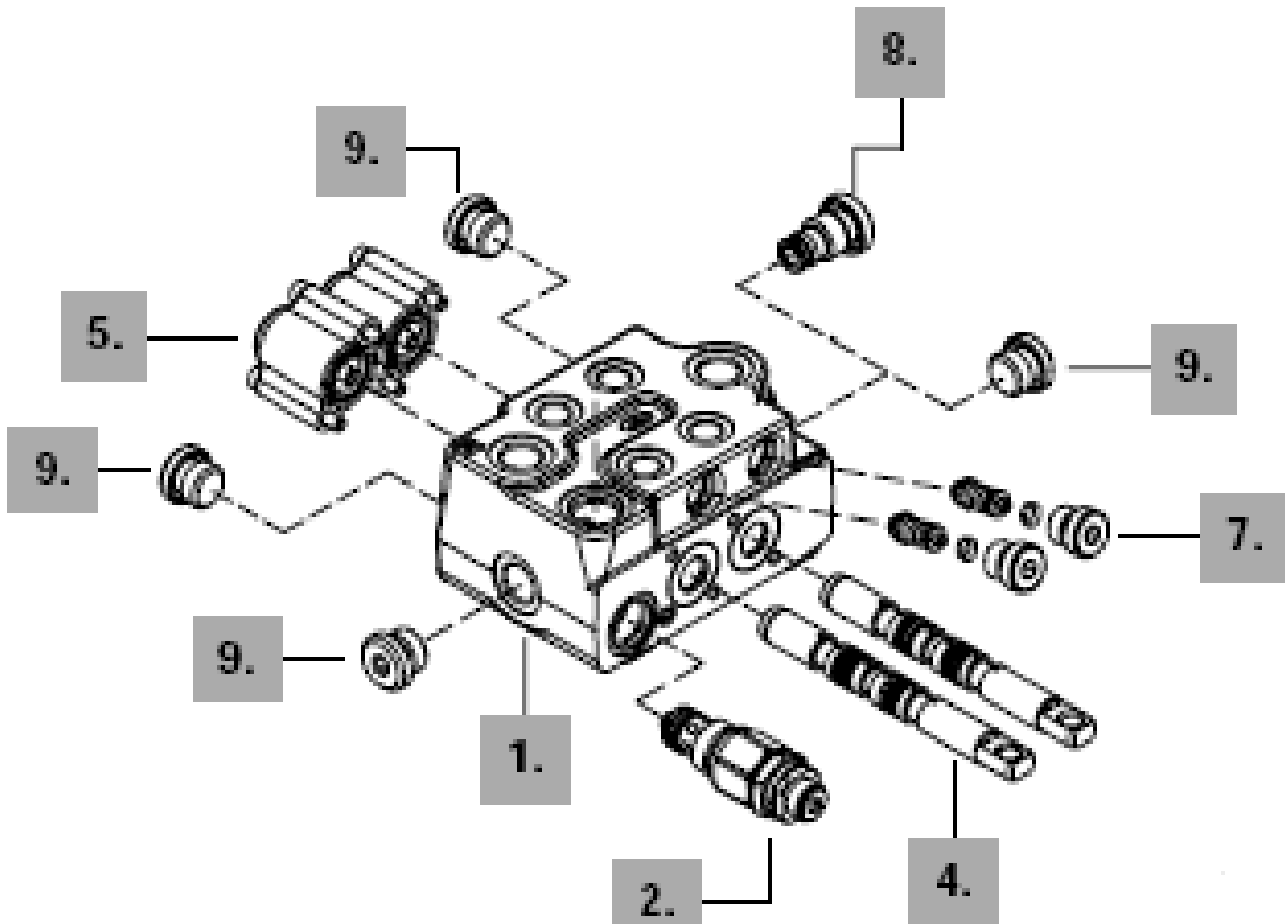
Cable Control



REF. NO	PART NO.	DESCRIPTION
1	1800315	CABLE CONTROL BRACKET
	8770391	LH CONTROL DECAL
2	47531.01	CABLE ASSEMBLY – BLACK KNOB
2	47531.05	CABLE ASSEMBLY – RED KNOB
3	47532.01	FIXING KIT – ARM VALVE
3	47539.01	FIXING KIT – MOTOR VALVE
3	04.282.71	STUD: M6
4	05.948.37	M6 WING NUT
5	2771408	M6 FLAT WASHER

Spearhead Excel 474 & Twiga 4000

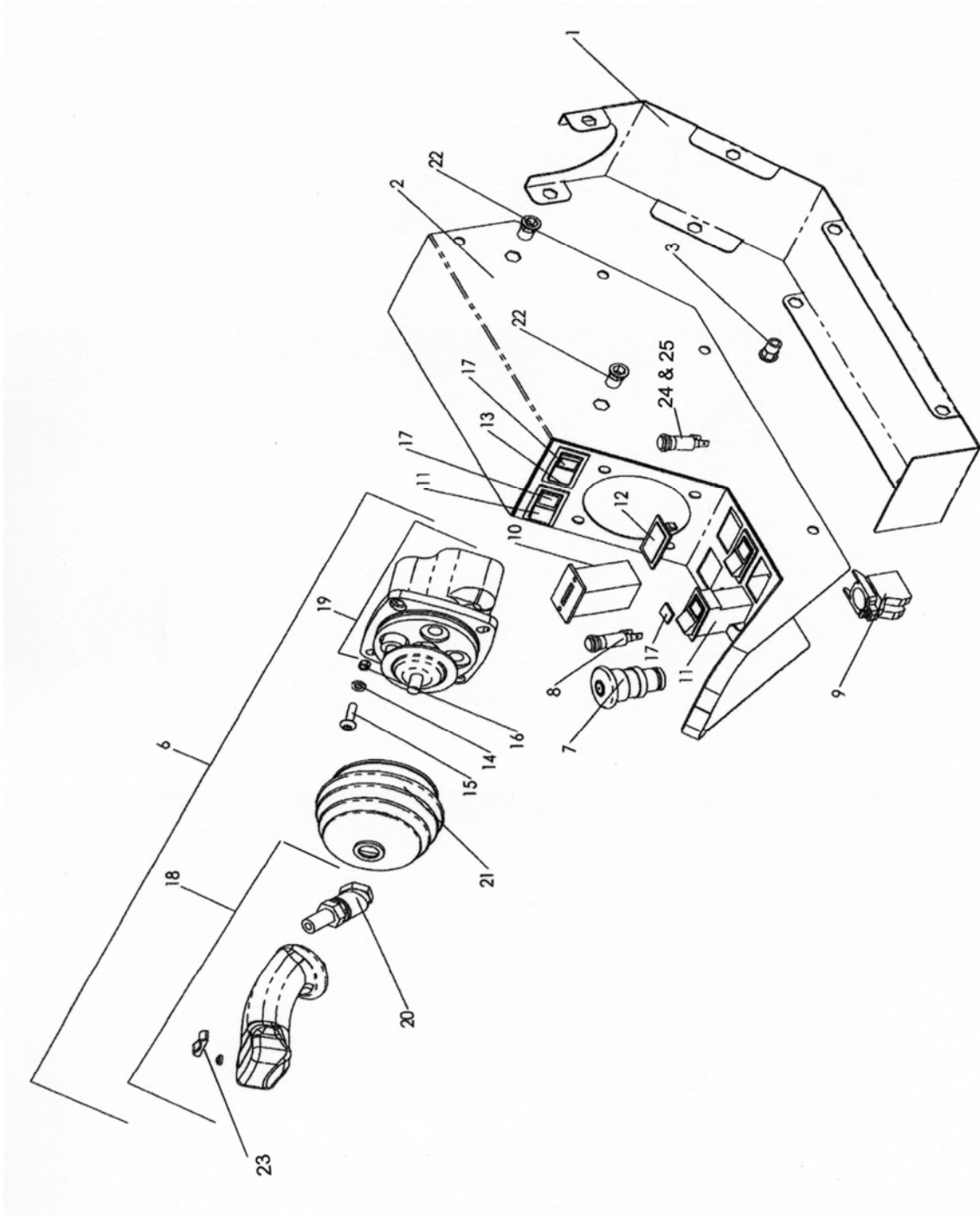
Cable Control Valve Assembly



REF. NO	PART NO.	DESCRIPTION
1	3600108	VALVE ASSEMBLY
2		MAIN RELIEF VALVE
3	N/A	
4		SPOOL
5		SPRING KIT – CABLE
6	N/A	
7		PORT RELIEF CARTRIDGE
8		PLUG
9		PLUG

Spearhead Excel 474 & Twiga 4000

Joystick Control Assembly



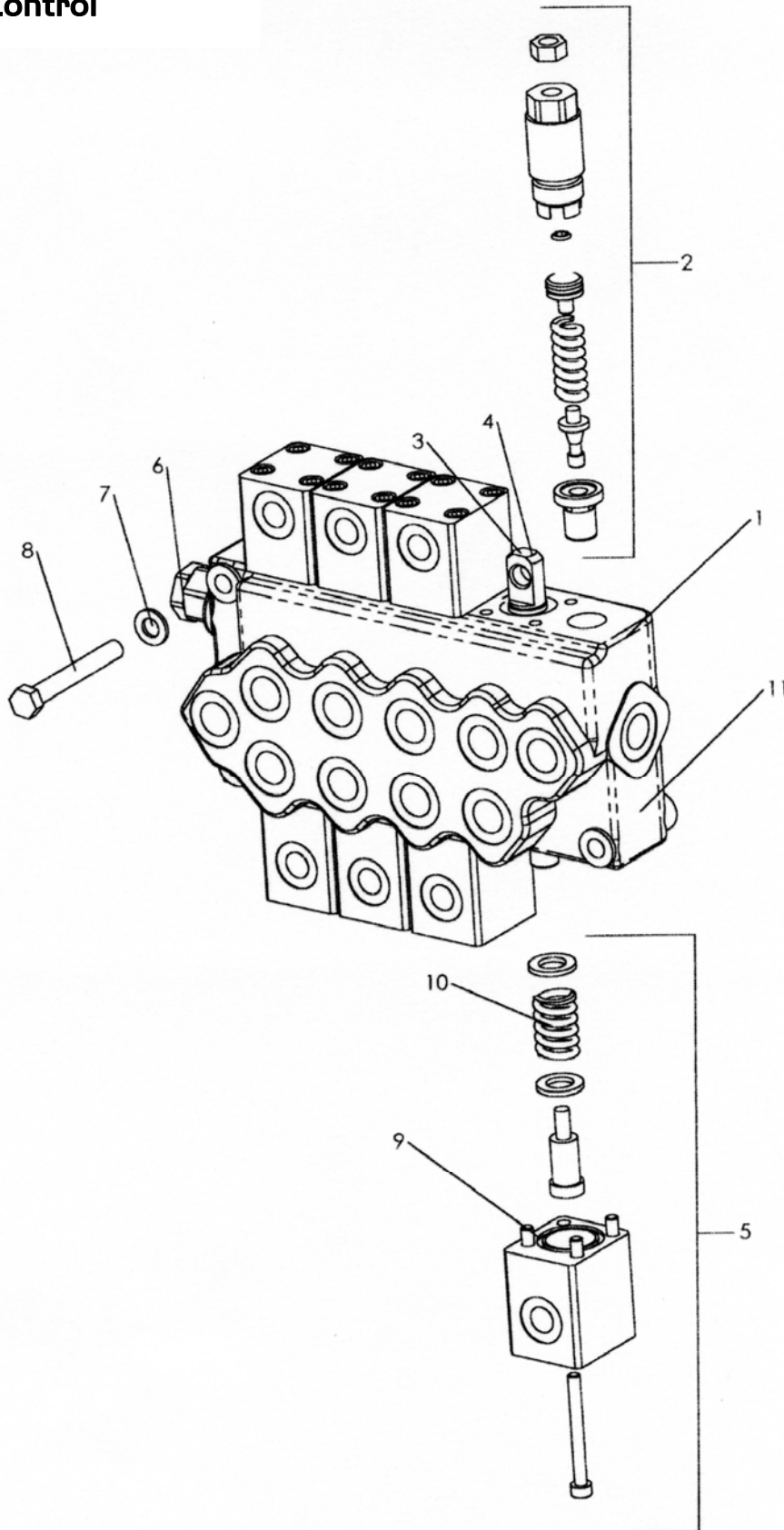
Spearhead Excel 474 & Twiga 4000

Joystick Control Assembly

REF. NO	PART NO.	DESCRIPTION
1	1777033	CONTROL PLATE
2	1777028A	JOYSTICK BRACKET
3	2770201	RIVET NUT
4	2770432	FLAT WASHER
5	2770370	BOLT
6	3910028A	JOYSTICK ASSEMBLY
7	8400167	ROTOR ON – OFF KNOB
8	8400168	ROTOR WARNING LIGHT
9	8400166	ROTOR ON – OFF SWITCH BASE
10	8400180	HOUR COUNTER
11	3910276	SWITCH ON – OFF ILLUM
12	8400162	SWITCH BLANK
13	8400160	ROCKER SWITCH - SLEW
	8400035	SWITCH OFF/ON/ON
14	2771408	FLAT WASHER
15	2770336	BOLT
16	2770373	NUT
17	8400163Y	YELLOW INSERT
	8400163G	GREEN INSERT
	8400163R	RED INSERT
	8400163B	BLACK INSERT
18	3910225	HANDLE
19	NOT AVAILABLE	VALVE
20	3910229/1	STUD
21	3910270	RUBBER
22	2770202	RIVET NUT
23	3910222	SWITCH
24	8400183	FUSE HOLDER
25	8400184	FUSE 20AMP

Spearhead Excel 474 & Twiga 4000

Valve Assembly – Hydraulic Proportional Control



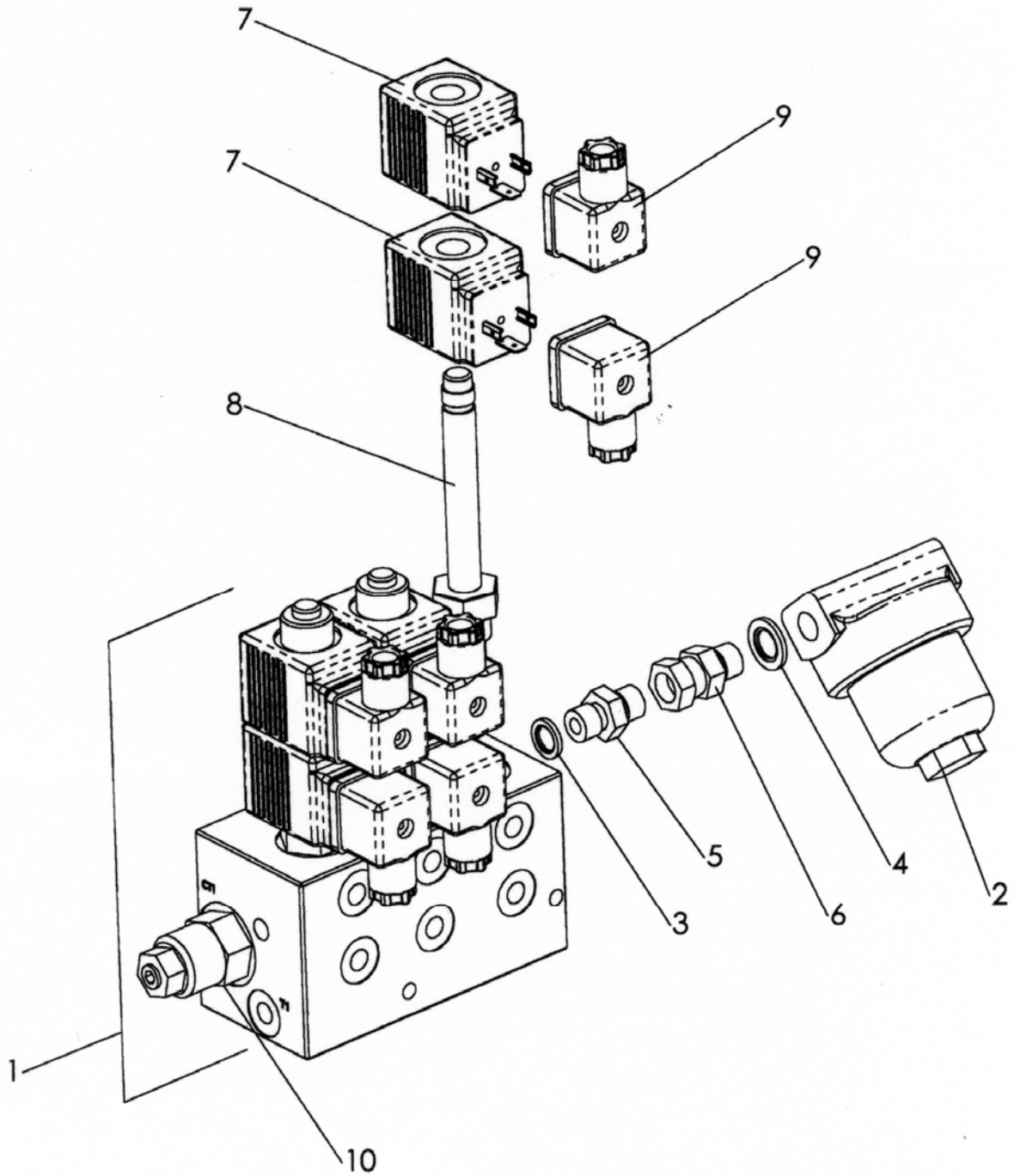
Spearhead Excel 474 & Twiga 4000

Valve Assembly – Hydraulic Proportional Control

REF. NO	PART NO.	DESCRIPTION
1	3910295	VALVE ASSEMBLY – (STANDARD)
2	3600093	RELIEF VALVE CARTRIDGE
3	3610096	DOUBLE ACTING SPOOL
4	3610098	SINGLE ACTING SPOOL
5	3610003	HYDRAULIC PROP KIT
6	5770300	CARTRIDGE
7	2770432	FLAT WASHER
8	2770430	BOLT
9	3261005	O – RING
10	3610003S	SPRING
11	3261003	SEAL KIT

Spearhead Excel 474 & Twiga 4000

Electric Solenoid Assembly



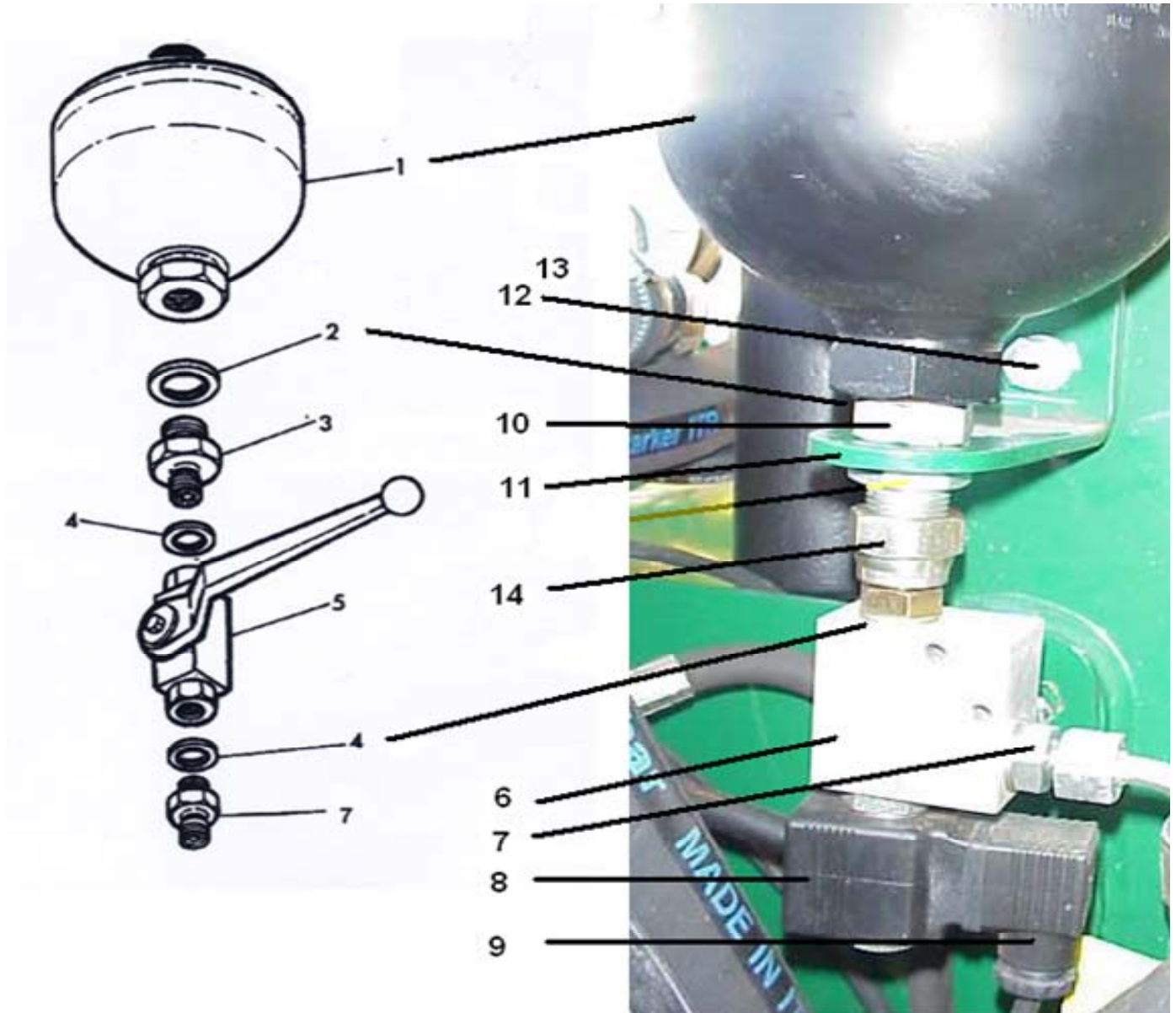
Spearhead Excel 474 & Twiga 4000

Electric Solenoid Assembly

REF. NO	PART NO.	DESCRIPTION
1	3610085	BLOCK (2 BANK)
2	3900058	FILTER
	3900059	FILTER ELEMENT – 32MM UCC
	3900059A	FILTER ELEMENT – 35MM MP
3	3260069	OIL SEAL
4	3260070	OIL SEAL
5	3360080	ADAPTOR
6	3360081	ADAPTOR
7	3610030	COIL (C13H12/14)
8	3610051	HYDRAULIC SPOOL
9	3610048	DIN CONNECTOR
10	3610055	CARTRIDGE

Spearhead Excel 474 & Twiga 4000

Head/Arm Float Assembly



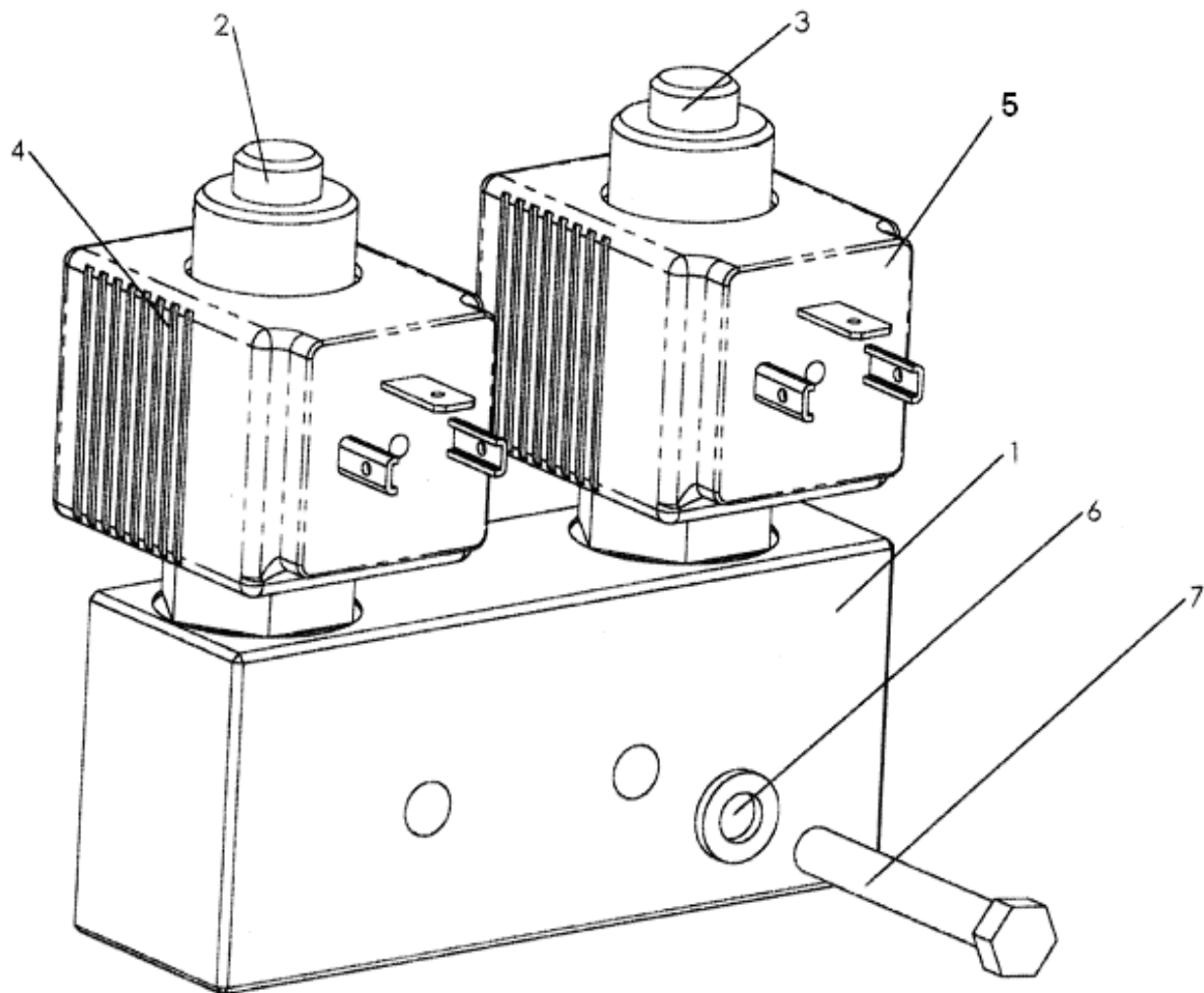
Spearhead Excel 474 & Twiga 4000

Head/Arm Float Assembly

REF. NO	PART NO.	DESCRIPTION
	OPT0502	COMPLETE ASSEMBLY (INCLUDES NO'S 1 – 4 ,6 –15)
1	3900071	ACCUMULATOR
2	3260072	OIL SEAL
3	3360074	ADAPTOR
4	3260070	OIL SEAL
5	3600120	VALVE (TAP)
6	3610053	VALVE (ELECTRIC)
7	3360080	ADAPTOR
8	3610030	COIL
9	3610048	PLUG
10	3700187	½" BULKHEAD ADAPTOR
11	1777132C	BRACKET
12	2770418	M 10 X 20 BOLT
13	2770434	WASHER
14	3490003	ADAPTOR
15	2770203	M10 RIVET NUT
	3460101	¼" TEE
	3760115	HOSE
	3910276	SWITCH

Spearhead Excel 474 & Twiga 4000

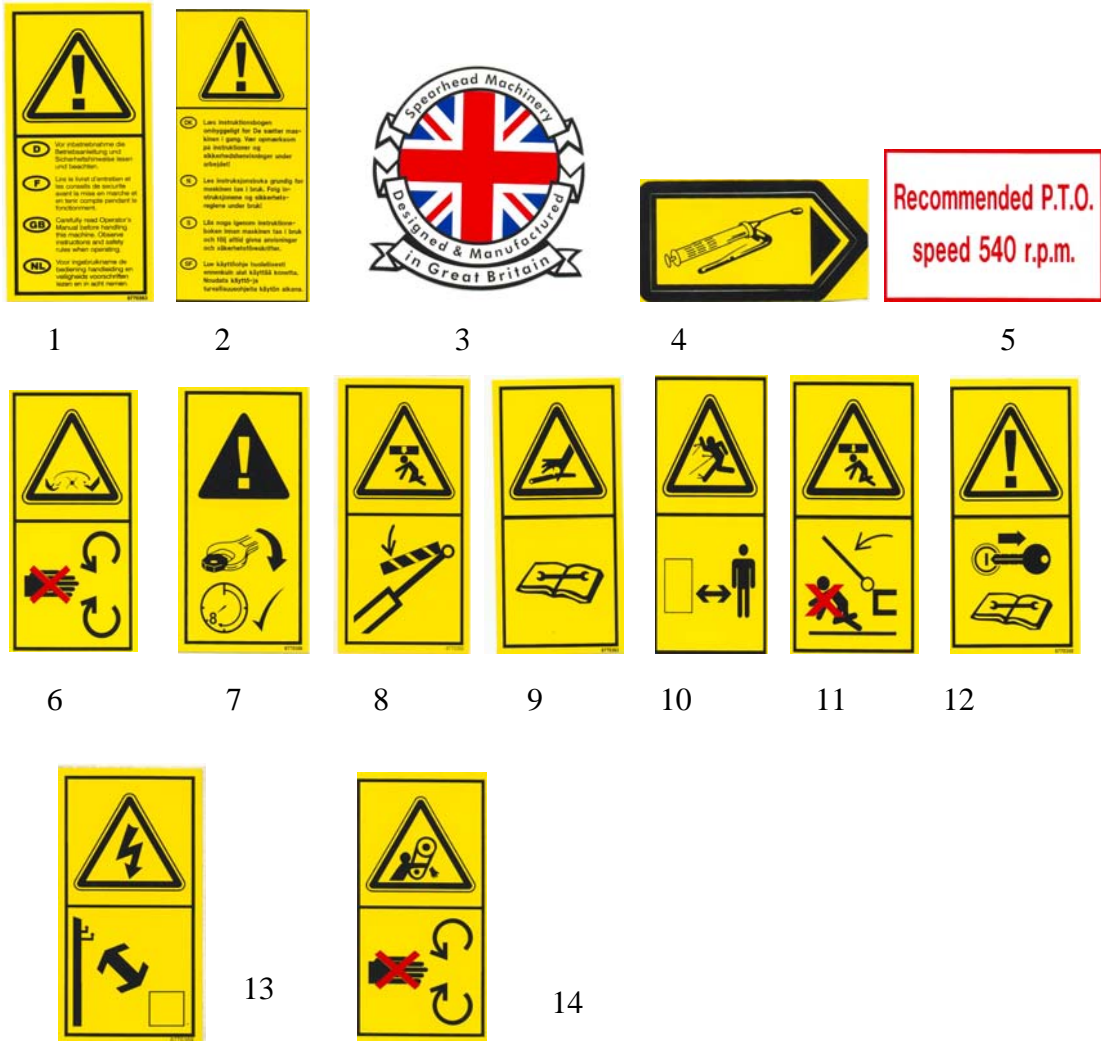
Head Angle Float Assembly



REF. NO	PART NO.	DESCRIPTION
	OPT0503	ANGLE FLOAT KIT
1	3600132	VALVE ASSY
2	3610032A	DOUBLE VALVE S217AN
3	3600142	SINGLE VALVE S202N
4	3610030	COIL (C13H12/14)
5	3610048	DIN CONNECTOR (NOT SHOWN)
6	2771408	FLAT WASHER
7	2770485	BOLT
	3760230	HOSE (1120MM)
	3760115	HOSE (600MM)
	3460101	ADAPTOR (1/4 TEE)
	3360080	ADAPTOR (1/4 MALE)
	3260070	BONDED SEAL (1/4)
	8400276	SWITCH ON/OFF
	8400035	SWITCH ON/ON/OFF

Spearhead Excel 474 & Twiga 4000

Stickers



REF. NO	PART NO.	DESCRIPTION
1	8770363	READ MANUAL
2	8770367	READ MANUAL
3	8770307	GB
4	8770322	GREASE POINT
5	8770305	540 PTO
6	8770361	MOVING BLADES
7	8770306	KEEP BOLTS TIGHT
8	8770355	RAM STOP
9	8770362	ESCAPING FLUID
10	8770357	KEEP YOUR DISTANCE
11	8770368	DANGER UN-PROPED
12	8770358	REMOVE KEY
13	8770359	DANGER OVERHEAD POWER CABLES
14		DANGER MOVING PARTS