

R3 / F3



PARTS CATALOG


Roberine

THE MOWING COMPANY SINCE 1951

Using this Manual

Before using this manual it is important to identify the model mower you are locating parts for.

Many parts are used across all models, yet some are specific to certain models.

The model of mower is located on the serial plate on the machine.

This manual covers the mowers Roberine F3 and R3.

Always check serial number on the machine before ordering parts.

CAUTION

The Warranty policy does not cover damages caused by the use of non-Roberine parts.

Always use Roberine parts.

Installation of parts and accessories not originally intended could result in less than optimal performance and/or injury.

Contact your local Roberine distributor or dealer for ordering parts.

Information contained in this publication is subject to change at any time without prior notice.

Your product's appearance may vary from the diagrams contained in this catalog.

Information may be enhanced without prior notice.

Released 27-09-2021

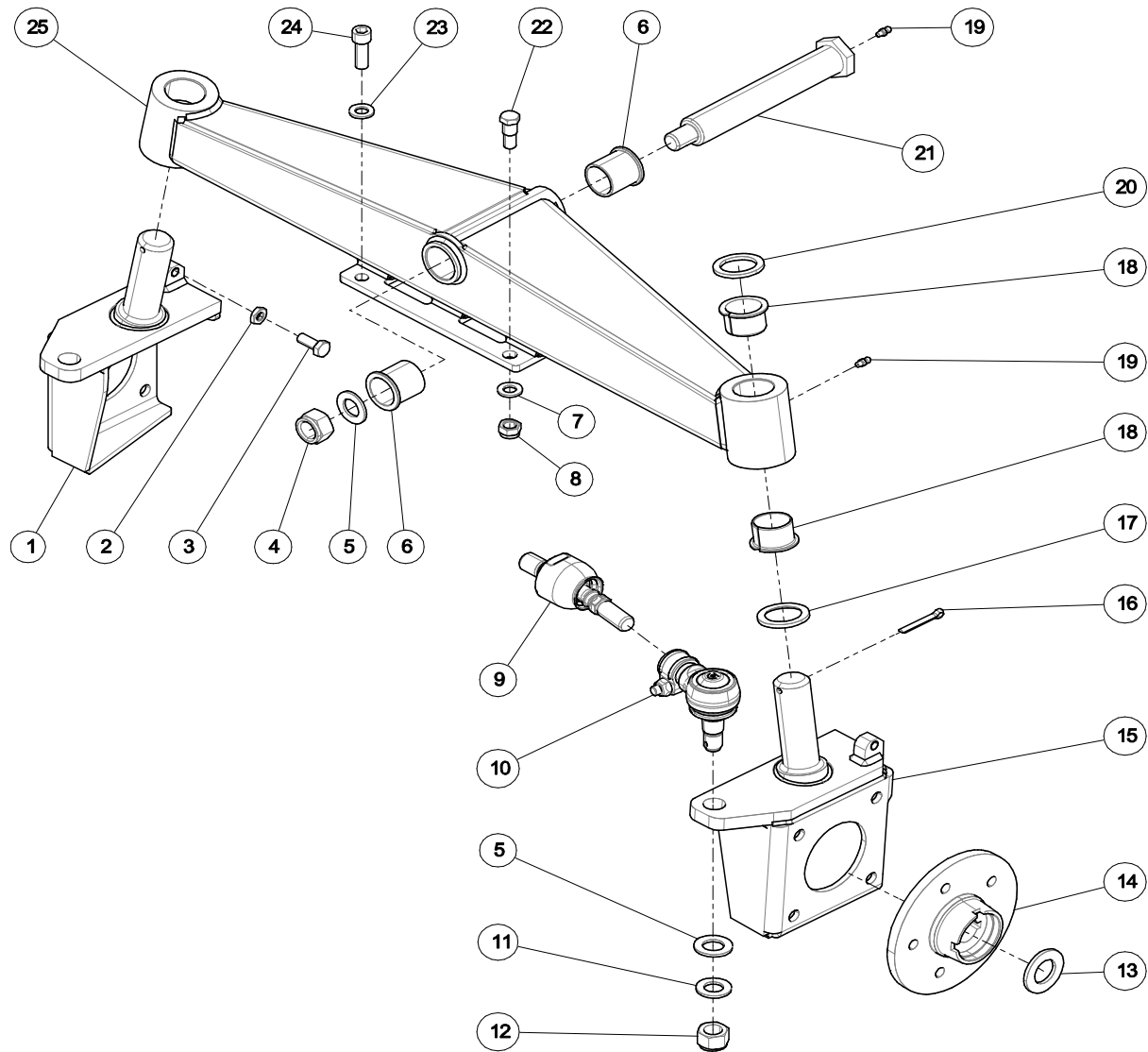
INDEX

SWING AXLE PENDELACHSE SWING ESSIEU PENDELAS.....	1
ENGINE MOTOR MOTEUR MOTOR.....	3
COOLINGSYSTEM KÜHLSYSTEM SYSTÈME DE REFROIDISSEMENT KOELSYSTEEM.....	7
FUEL SUPPLY KRAFSTOFFVERSORGUNG ALIMENTATION DE COMBUSTIBLE BRANDSTOFTOEVOER.....	11
EXHAUST AND AIR FILTER AUSPUFF UND LUFTFILTER ECHAPPEMENT ET FILTRE A AIR UITLAAT EN LUCHTFITLER.....	15
LIFT ARMS HUBARM BRAS DE LEVAGE DRAAGARMEN.....	19
ELECTRICAL COMPONENTS ELECTRO TEILE PIECES ELECTRIQUES ELEKTRISCHE COMPONENTEN.....	23
FRAME RAHMEN BATI FRAME.....	33
STEERING COLOMN LENKSAULE COLONNE DE DIRECTION STUURKOLOM.....	37
BODY KAROSSERIE CARROSSERIE CARROSSERIE.....	39
HYDRAULICS HYDRAULIK HYDRAULIQUE HYDRAULIEK.....	45
DECALS, TOOL KIT AUFKLEBER, WERKZEUGSATZ AUTOCOLLANT, JEU D'OUTILS STICKERS, GEREEDSCHAPSET.....	71
WHEEL AND TIRE REIFEN UND FELGE PNUE ET JANTE WIEL EN BAND.....	73
CABIN KABINE CABINE KABINE.....	75
ROPS ROPS ROPS ROPS.....	99

INDEX

FLAIL UNITS SCHLEGELUNITS ELEMENT DE COUPE FLEAUX KLEPELUNITS.....	103
DEFLECTOR GUIDE FRONT ABWEISFUEHRUNG VORNE GUIDE DEFLECTEUR AVANT UITWORPGELEIDING VOORZIJD	111
CYLINDER UNITS 10" SPINDELUNITS 10" ELEMENT DE COUPE CILINDRE 10" KOOIUNITS 10".....	113
REVERSIBLE FAN REVERSIERBARE LUEFTER VENTILATEUR REVERSIBLE OMKEERBARE VENTILATOR.....	123
LIGHTING BELEUCHTUNG ECLAIRAGE VERLICHTING.....	127
COVERS ABDECKPLAN HOUSSES DE PROTECTION BESCHERMHOEZEN.....	131
WARNING BEACON RUNDUMLEUCHT GYROPHARE ZWAAILAMP ROPS.....	133
WARNING TRIANGLE WARNDREIECK TRIANGLE DE SIGNALATION GEVARENDRIEHOEK.....	135
CANOPY SCHUTDACH CANOPY ZONNEKAP.....	137
MIRROR SPIEGEL MIROIR SPIEGEL.....	139
ADJUSTER PLATES VERSTELLUNGSPLATTEN PLAQUES D'ADJUSTEMENT VERSTELPLATEN.....	141
DEFLECTOR KIT ABWEISER SATZ KIT DEFLECTEUR UITWORPBEVEILIGINGSSET.....	143
MUDGUARD KIT KOTTFLUGEL SATZ KIT GARDE BOUE SET SPATBORDEN.....	145

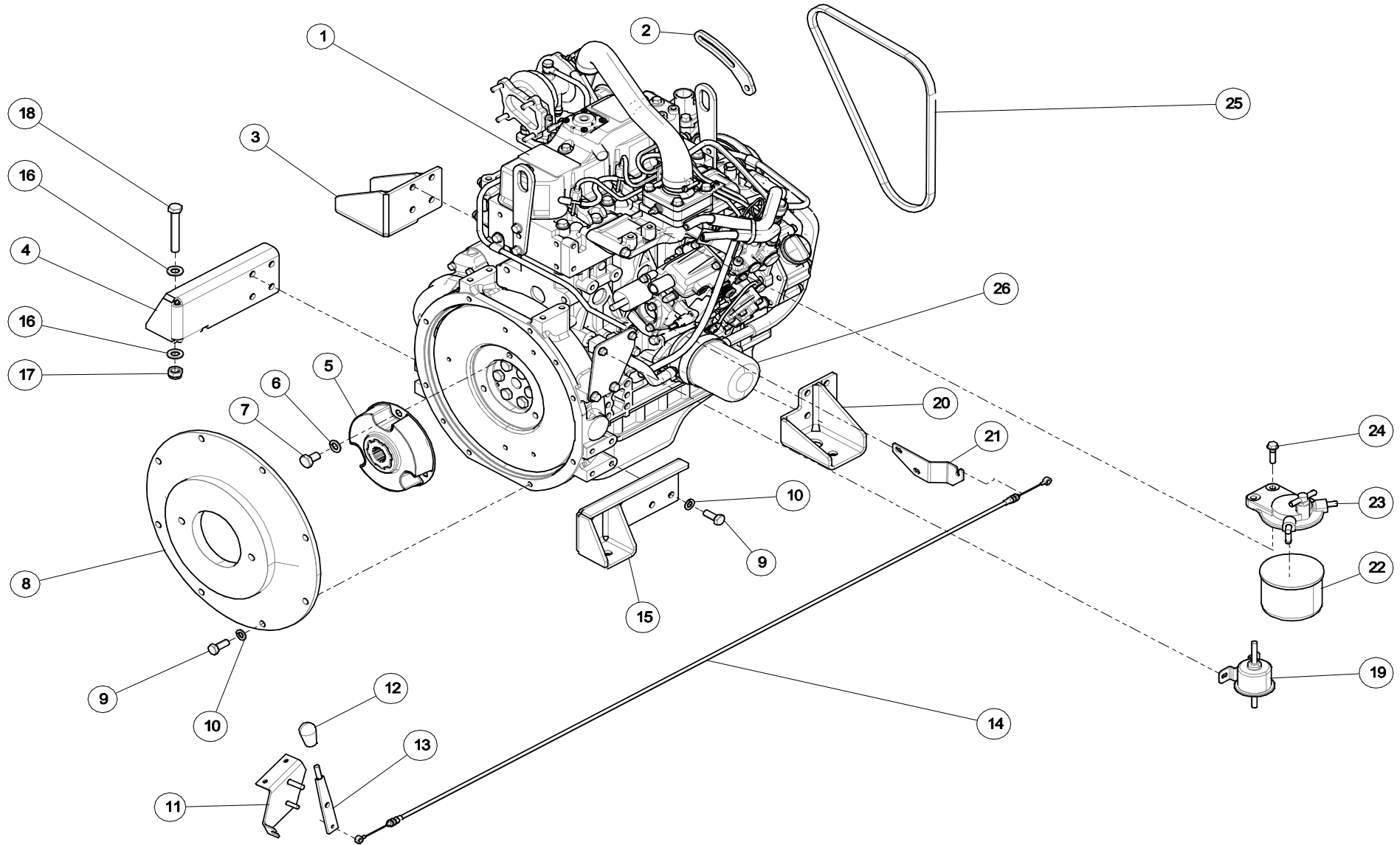
SWING AXLE | PENDELACHSE | SWING ESSIEU | PENDELAS
EVM021501
F3/R3



SWING AXLE | PENDELACHSE | SWING ESSIEU | PENDELAS
EVM021501
F3/R3

KEY	PART NO.	QTY	SERIAL NO.	DESCRIPTION	BESCHREIBUNG	DESIGNATION	OMSCHRIJVING	REMARKS
1	EVA000099	1		KINGPIN RIGHT	ACHSSCHENKELBOLZEN RECHTS	PIVOT DE FUSEE DROITE	FUSEE RECHTS	
2	11.13.010	2		NUT,FLAT	MUTTER,NIEDRIG	ECROU,BAS	MOER,LAAG	DIN439,M10-06-ZN
3	10.02.120	2		SCREW,HEX	SKT.SCHRAUBE	VIS A TETE,HEX	ZESK.TAPBOUT	DIN933,M10X25-8.8-ZN
4	11.06.420	1		LOCKNUT	SICHERUNGSMUTTER	CONTRE-ECROU	ZESK.BORGMOER	DIN985,M20X2-8-ZN
5	12.11.020	3		WASHER	UNTERLEGSCHIEBE	RONDELLE	SLUITRING	DIN125A,M20-ZN
6	EVU001324	2		BUSHING	BUECHSE	BAGUE	LAGERBUS	
7	12.11.012	4		WASHER	UNTERLEGSCHIEBE	RONDELLE	SLUITRING	DIN125A,M12-ZN
8	11.05.012	2		LOCKNUT	SICHERUNGSMUTTER	CONTRE-ECROU	ZESK.BORGMOER	DIN985,M12-8-ZN
9	EVA000113	2		BALL JOINT	KUGELGELENK	JOINT A ROTULE	KOGELGEWRICHT	AXIAL
9.1	EVU002790	1		SEALING CUFF	DICHTUNGSMANSCHETTE	JOINT D'ETANCHEITE	DICHTINGSMANCHET	
10	EVA000114	2		BALL JOINT	KUGELGELENK	JOINT A ROTULE	KOGELGEWRICHT	RADIAL
10.1	EVU002789	1		SEALING BELLOW	DICHTUNGSBALG	SOUFFLET D'ETANCHEITE	DICHTINGSBALG	
11	12.11.018	2		WASHER	UNTERLEGSCHIEBE	RONDELLE	SLUITRING	DIN125A,M18-ZN
12	11.06.318	2		LOCKNUT	SICHERUNGSMUTTER	CONTRE-ECROU	ZESK.BORGMOER	DIN985,M18X1.5-8-ZN
13	12.11.027	2		WASHER	UNTERLEGSCHIEBE	RONDELLE	SLUITRING	DIN125B,M27-ZN
14	RBC043148	2		FLANGE	FLANSCH	BRIDE	FLENS	
15	EVA000100	1		KINGPIN LEFT	ACHSSCHENKELBOLZEN LINKS	PIVOT DE FUSEE GAUCHE	FUSEE LINKS	
16	14.30.040	2		SPLIT PIN	SPLINTE	GOUPILLE	SPLITPEN	DIN94-6.3X40 ZN
17	RBU33299	2		FRICTION RING	GLEITRING	BAGUE D'ETANCHEITE	GLIJRING	BRONZE
18	RBC044722	4		SLIDE BEARING	GLEITLAGER	PALIER LISSE	GLIJLAGER	
19	20.03.001	3		GREASE ZERK	SCHMIERNIPPEL	GRAISSEUR	SMEERNIPPEL	DIN71412,M6X1-H1
20	RBU33297	2		WASHER SPECIAL	UNTERLEGSCHIEBE	RONDELLE	SLUITRING	
21	EVU000117	1		REAR AXLE BOLT	HINTERACHSEBOLZEN	BOULON ESSIEU ARRIERE	PENDELASBOUT	
22	EVU001878	1		BOLT,SPECIAL	BOLZEN,SPECIAL	BOULON,SPECIAL	BOUT,SPECIAL	
23	EVU001837	2		LOCK WASHER	ZAHNSCHIEBE	RONDELLE ELASTIQUE	TANDVEERRING	SERRATED M12 TYPEDD
24	10.58.153	1		SCREW,SOC	ZYL.SCHRAUBE,ISK	VIS A TETE,CYL.SPC	CIL.BOUT,BZK	DIN912,M12X35-10.9-ZN
25	EVA000098	1		REAR AXLE	HINTERACHSE	ESSIEU ARRIERE	PENDELAS	

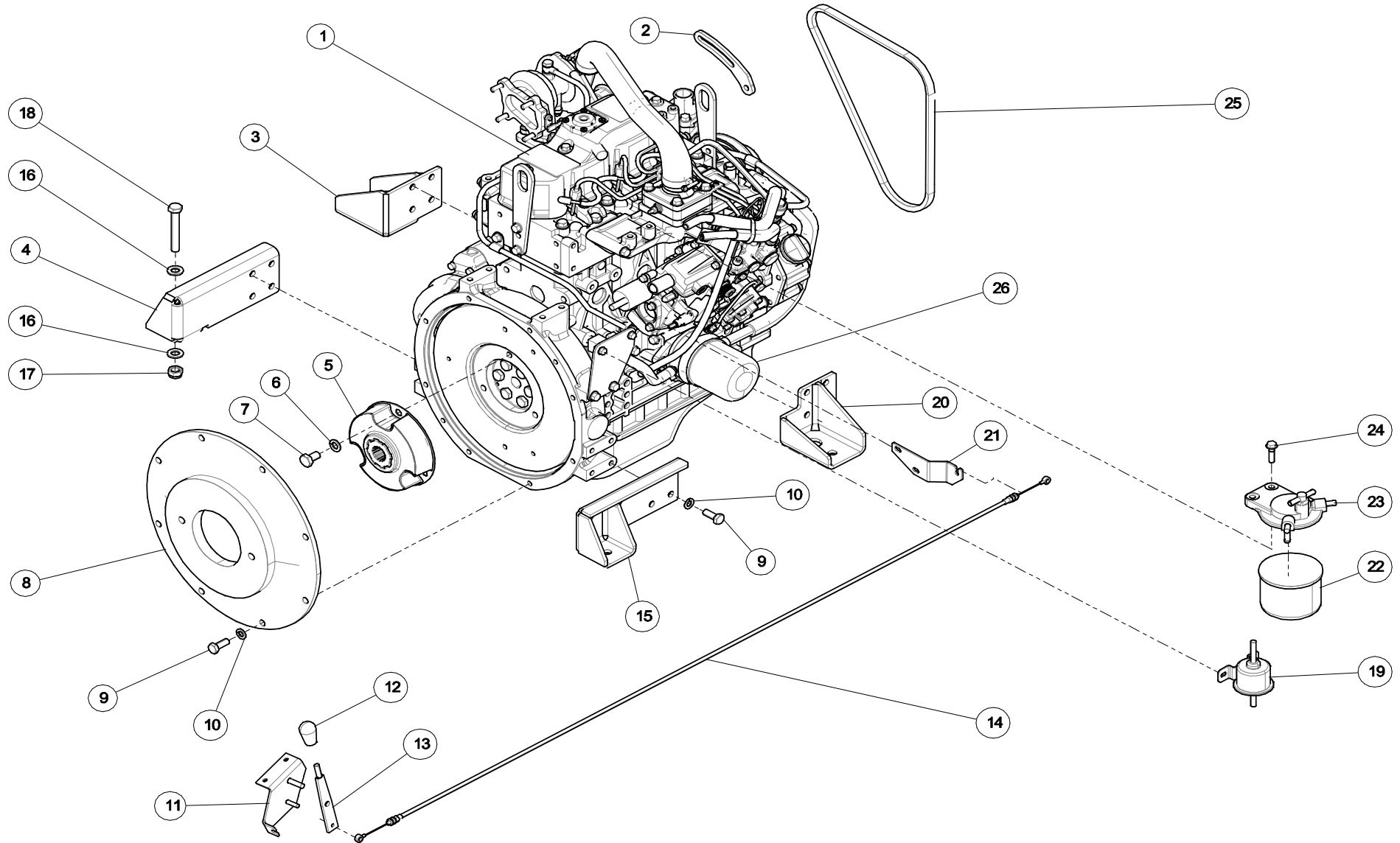
ENGINE | MOTOR | MOTEUR | MOTOR
EVM021502
F3/R3



ENGINE | MOTOR | MOTEUR | MOTOR
EVM021502
F3/R3

KEY	PART NO.	QTY	SERIAL NO.	DESCRIPTION	BESCHREIBUNG	DESIGNATION	OMSCHRIJVING	REMARKS
1	EVA000095	1		ENGINE	MOTOR	MOTEUR	MOTOR	YANMAR 3TNV84T-BKVX
2	EVU001015	1		BRACKET,DYNAMO	HALTER,DYNAMO	SUPPORT,DYNAMO	HOUDER,DYNAMO	
3	EVU000150	1		ENGINE MOUNT	MOTORSTUETZE	SUPPORT MOTEUR DROITE	MOTORSTEUN	RIGHT
4	EVU000149	1		ENGINE MOUNT	MOTORSTUETZE	SUPPORT MOTEUR	MOTORSTEUN	RIGHT
5	RBA210063	1		CLUTCH,MONOLASTIC	KUPPLUNG,MONOLASTIC	EMBAYAGE,MONOLASTIC	KOPPELING,MONOLASTIC	
6	12.01.012	3		WASHER,SPRING	FEDERRING	RONDELLE FREIN	VEERRING	DIN128,M12-ZN
7	10.02.149	3		SCREW,HEX	SKT.SCHRAUBE	VIS A TETE,HEX	ZESK.TAPBOUT	DIN933,M12X20-8.8-ZN
8	RBU210116	1		FLANGE	FLANSCH	BRIDE	FLENS	
9	10.02.120	24		SCREW,HEX	SKT.SCHRAUBE	VIS A TETE,HEX	ZESK.TAPBOUT	DIN933,M10X25-8.8-ZN
10	12.01.010	24		WASHER,SPRING	FEDERRING	RONDELLE FREIN	VEERRING	DIN128,M10-ZN
11	EVA000505	1		SUPPORT,GAS THROTTLE	HALTER	SUPPORT	HOUDER,GASHANDLE	
12	RBC345693	1		KNOB	GRIFF	MANCHE	HANDGREEP	
13	EVA000341	1		LEVER CPL	HEBEL KPL	LEVIER CPL	HENDEL KPL	
14	RBA210039	1		THROTTLE CABLE	GASZUG	CABLE DE COMMANDE	GASKABEL	
15	EVU000145	1		ENGINE MOUNT	MOTORSTUETZE	SUPPORT MOTEUR	MOTORSTEUN	LEFT
16	12.11.012	8		WASHER	UNTERLEGSCHIEBE	RONDELLE	SLUITRING	DIN125A,M12-ZN
17	11.05.012	4		LOCKNUT	SICHERUNGSMUTTER	CONTRE-ECROU	ZESK.BORGMOER	DIN985,M12-8-ZN
18	10.04.162	4		SCREW,HEX	SKT.SCHRAUBE	VIS A TETE,HEX	ZESK.BOUT	DIN931,M12X80-8.8-ZN
19	EVA000495	1		FUEL SUPPLY PUMP	KRAFTSTOFFFORDERPUMPE	POMPE D'ALIMENTATION	BRANDSTOFOPVOERPOMP	
20	EVU000568	1		ENGINE MOUNT	MOTORSTUETZE	SUPPORT MOTEUR	MOTORSTEUN	LEFT
21	EVU000965	1		BRACKET	GASZUGHALTER	SUPPORT	HOUDER	THROTTLE CABLE
22	EVA000499	1		FUEL FILTER	KRAFTSTOFFFILTER	FILTRE DE COMBUSTIBLE	BRANDSTOFFFILTER	
23	EVA000498	1		BRACKET	HALTER	SUPPORT	HOUDER	
24	RB19M7868	2		SCREW,HEX,FL	SKT.SCHRAUBE,FL	VIS A TETE,EMB	ZESK.TAPBOUT	JDS123,M8X1.25X30-10.9
25	EVU001018	2		V-BELT	KEILRIEMEN	COURROIE	V-SNAAR	A37.5

ENGINE | MOTOR | MOTEUR | MOTOR
EVM021502
F3/R3

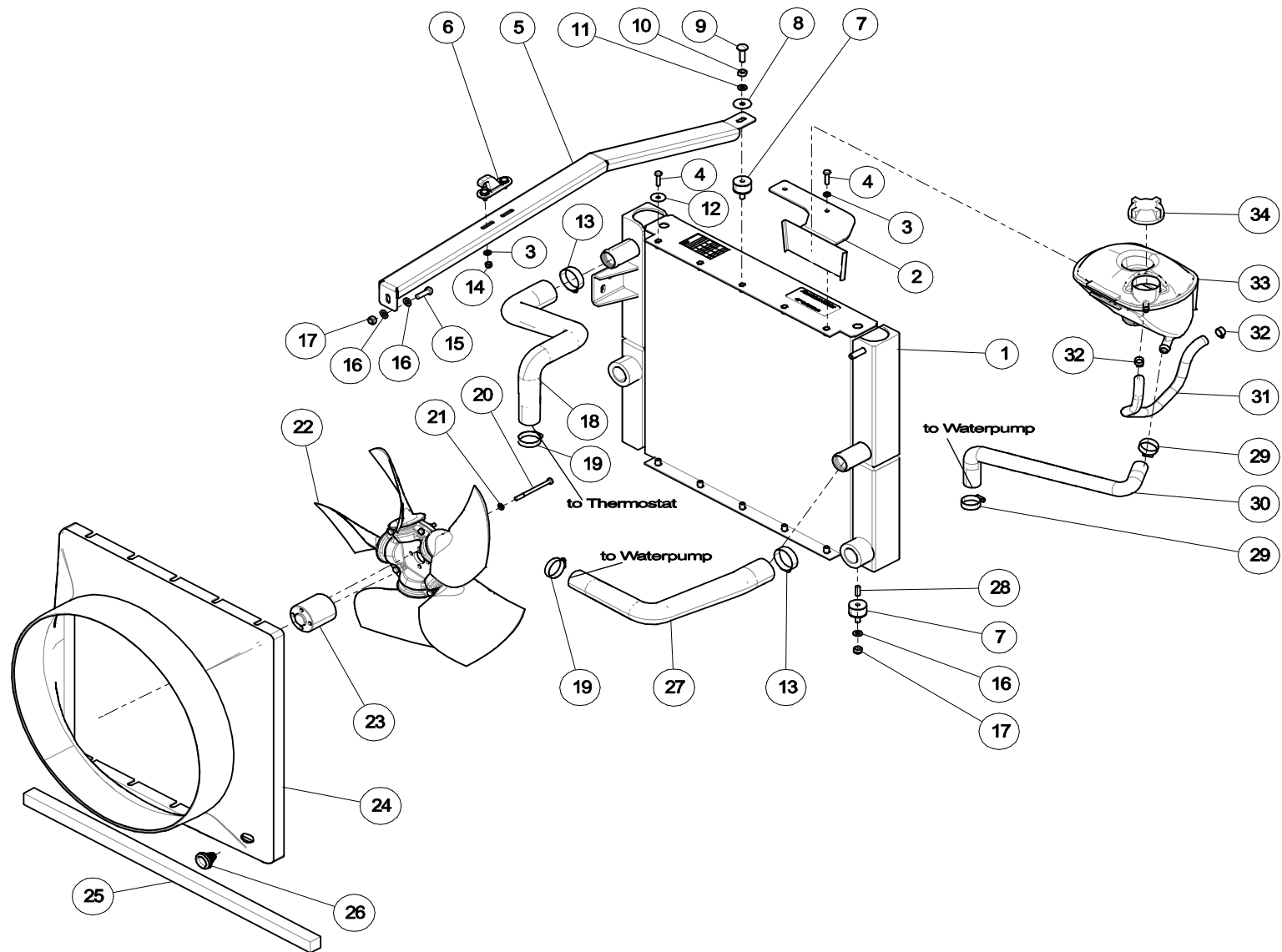


ENGINE | MOTOR | MOTEUR | MOTOR
EVM021502
F3/R3

KEY	PART NO.	QTY	SERIAL NO.	DESCRIPTION	BESCHREIBUNG	DESIGNATION	OMSCHRIJVING	REMARKS
26	EVA000587	1		OIL FILTER	OELFILTER	FILTRE A HUILE	OLIEFILTER	THERMOSTAT
	EVU001718	1		O-RING	O-RING	JOINT TORIQUE	O-RING	
	EVA001176	1		OIL SEAL FLYWHEEL	WELLENDICHTRING SCHWUNGRAD	JOINT D'ARBRE VOLANT D'INERT	OLIEKEERRING VLEGWIEL	
	EVA001177	1		OIL SEAL	WELLENDICHTRING	JOINT D'ARBRE	OLIEKEERRING DISTRIBUTIE	
	EVA000592	1		DIPSTICK	OLMESSSTAB	JAUGE	OLIEPEILSTOK	
	EVA001175	1		THERMOSTAT	THERMOSTAT	THERMOSTAT	THERMOSTAAT	22X10
	EVU001717	1		VALVE COVER GASKET	VENTILDECKELDICHTUNG	JOINT COUVERCLE DE SOU.	KLEPPENDEKSELPAKKING	
	EVU001019	1		BUSHING	BUECHSE	BAGUE	BUS	
	EVA000588	1		STARTER MOTOR	ANLASSER	DEMARREUR	STARTMOTOR	
	EVA000589	1		ALTERNATOR	DREHSTROMGENERATOR	ALTERNATEUR	DYNAMO	
	EVA001175	1		THERMOSTAT	THERMOSTAT	THERMOSTAT	THERMOSTAAT	

EVM021503

F3/R3



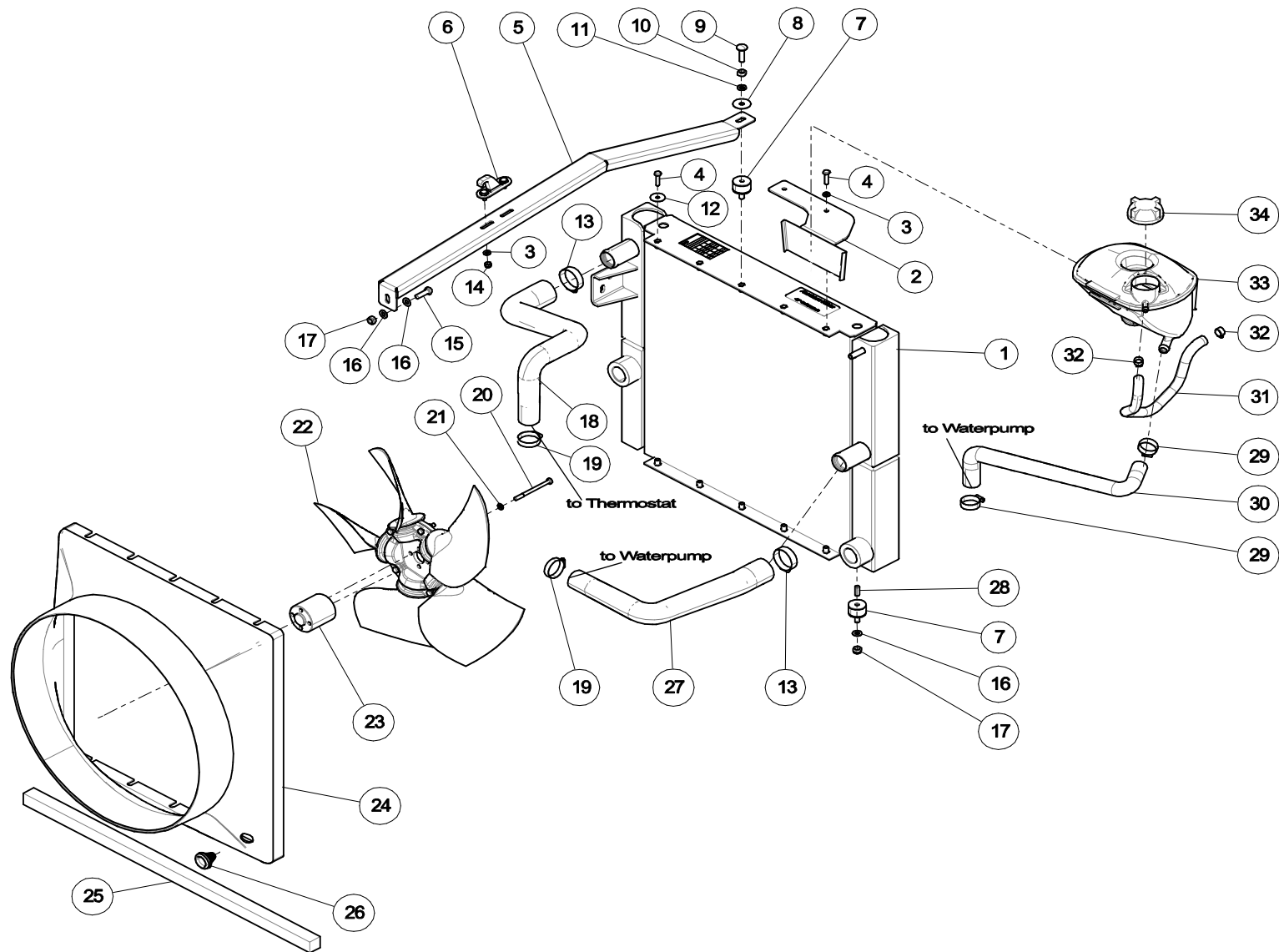
COOLINGSYSTEM | KÜHLSYSTEM | SYSTÈME DE REFROIDISSEMENT | KOELSYSTEEM
EVM021503
F3/R3

KEY	PART NO.	QTY	SERIAL NO.	DESCRIPTION	BESCHREIBUNG	DESIGNATION	OMSCHRIJVING	REMARKS
1	EVA000104	1		COOLER	KUHLER	RADIATEUR	KOELER	
2	EVA000358	1		SUPPORT,RESERVOIR	STUETZE,WASSERBEHALTER M3	APPUI,RESERVOIR M3	STEUN,EXPANSIEVAT	
3	12.11.006	4		WASHER	UNTERLEGSCHIEBE	RONDELLE	SLUITRING	DIN125A,M6-ZN
4	10.02.065	9		SCREW,HEX	SKT.SCHRAUBE	VIS A TETE,HEX	ZESK.TAPBOUT	DIN933,M6X25-8.8-ZN
5	EVU000199	1		COOLER SUPPORT	KUEHLERHALTER M3	SUPPORT RADIATEUR M3	KOELERSTEUN M3	
6	EVA000963	1		HOOK,COOLER SUPPORT	HAKEN,KUEHLERHALTER M3	CROCHET,SUPPORT RADIATEUR	HOUDER,KOELERSTEUN M3	
7	RBC029156	3		VIBRATION DAMPER	SCHWINGUNGSDAEMPFER	AMORTISSEUR DE VIBRATIONS	TRILLINGDEMPER	
8	12.15.008	1		MUDGUARD WASHER	KOTFLUGELSCHEIBE	RONDELLE DE CARROSSERIE	CARROSSERIERING	M8X30X1.5 ZN
9	10.15.092	1		BOLT,RH,SQNECK	FLACHRUNDSCHRAUBE	VIS A TETE BOMBEE	SLOTBOUT	DIN603,M8X30-8.8-ZN
10	11.02.008	1		NUT,HEX	MUTTER,HEX	ECROU,HEX	ZESK.MOER	DIN934,M8-8-ZN
11	12.01.008	1		WASHER,SPRING	FEDERRING	RONDELLE FREIN	VEERRING	DIN128,M8-ZN
12	12.15.006	7		MUDGUARD WASHER	KOTFLUGELSCHEIBE	RONDELLE DE CARROSSERIE	CARROSSERIERING	M6X25X1.5 ZN
13	RBC014563	2		HOSE CLIP	SCHLAUCHSCHELLE	COLLIER DE SERRAGE	SLANGKLEM	32-44/12MM
14	11.05.006	2		LOCKNUT	SICHERUNGSMUTTER	CONTRE-ECROU	ZESK.BORGMOER	DIN985,M6-8-ZN
15	10.02.091	1		SCREW,HEX	SKT.SCHRAUBE	VIS A TETE,HEX	ZESK.TAPBOUT	DIN933,M8X25-8.8-ZN
16	12.11.008	4		WASHER	UNTERLEGSCHIEBE	RONDELLE	SLUITRING	DIN125A,M8-ZN
17	11.05.008	3		LOCKNUT	SICHERUNGSMUTTER	CONTRE-ECROU	ZESK.BORGMOER	DIN985,M8-8-ZN
18	EVU000581	1		RADIATOR HOSE	KUHLWASSERSCHLAUCH	TUYAU RADIATEUR	KOELWATERSLANG	
19	RBC202099	2		HOSE CLIP	SCHLAUCHSCHELLE	COLLIER DE SERRAGE	SLANGKLEM	26-38/12MM
20	10.04.076	4		SCREW,HEX	SKT.SCHRAUBE	VIS A TETE,HEX	ZESK.BOUT	DIN931,M6X80-8.8-ZN
21	12.01.006	4		WASHER,SPRING	FEDERRING	RONDELLE FREIN	VEERRING	DIN128,M6-ZN
22	EVA000237	1		FAN	LUEFTER	VENTILATEUR	VENTILATOR	
23	EVU000169	1		FAN SPACER,AIRCO	DISTANZSTUECK,AIRCO	ENTRETOISE,AIRCO	AFSTANDSSTUK,AIRCO	
24	EVA000120	1		SHROUD	KUHLERHUTZE	HOTTE	KOELERTUNNEL	
25	RBU210759	1		FOAM STRIP	SCHAUMGUMMISTREIFEN	TAMPON	SCHUIMSTRIP	25X25X680MM

COOLINGSYSTEM | KÜHLSYSTEM | SYSTÈME DE REFROIDISSEMENT | KOELSYSTEEM

EVM021503

F3/R3



COOLINGSYSTEM | KÜHLSYSTEM | SYSTÈME DE REFROIDISSEMENT | KOELSYSTEEM

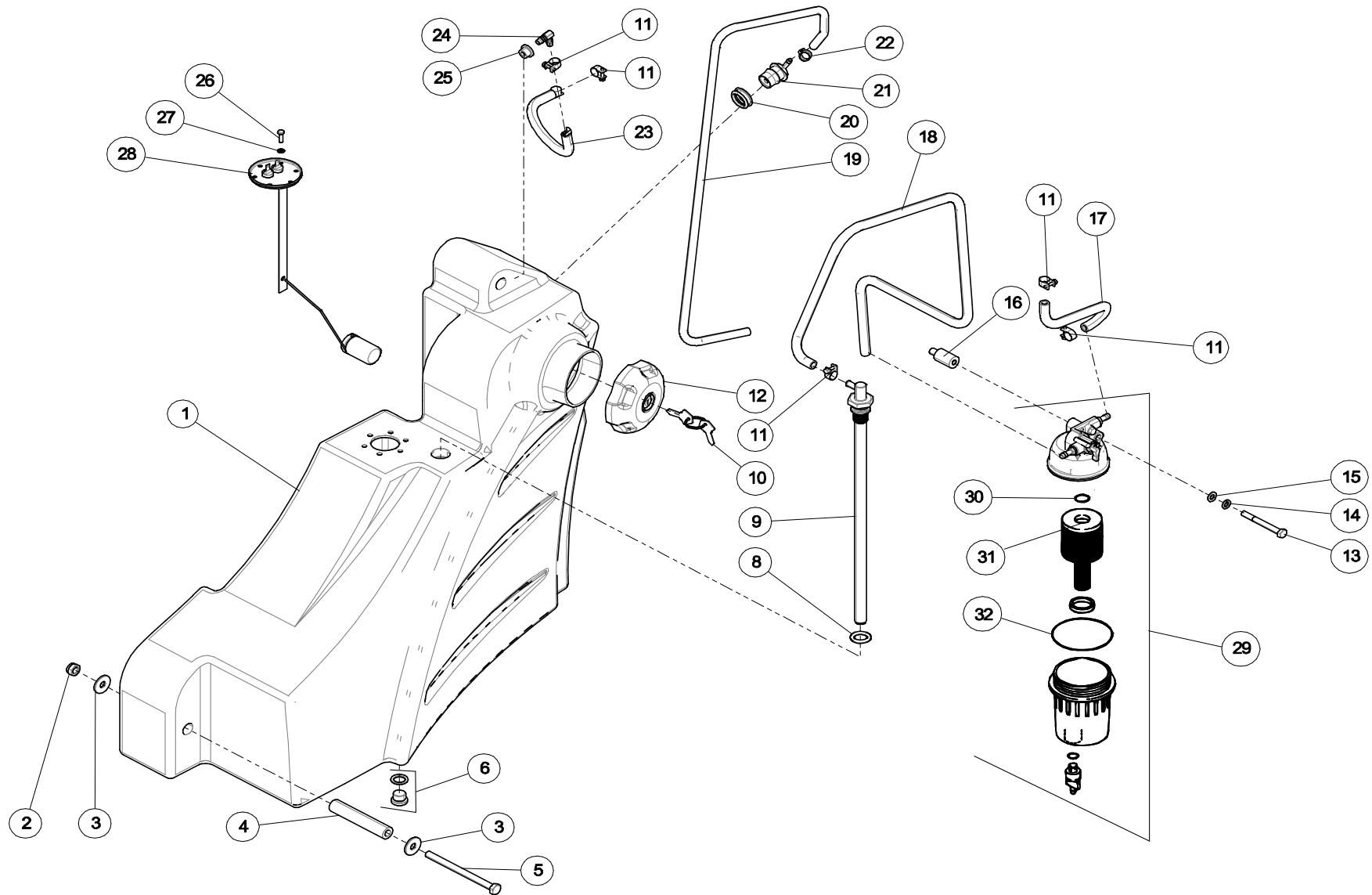
EVM021503

F3/R3

KEY	PART NO.	QTY	SERIAL NO.	DESCRIPTION	BESCHREIBUNG	DESIGNATION	OMSCHRIJVING	REMARKS
26	EVU001738	1		GROMMET, STEPPED	TULLE, GESTUFT	PASSE-CABLE, ETAGE	TULE, GETRAPT	
27	EVU000852	1		RADIATOR HOSE	KUHLWASSERSCHLAUCH	TUYAU RADIATEUR	KOELWATERSLANG	
28	RBC015780	2		THREADED PIN	GEWINDESTIFT	GOUJON	STELSCHROEF	M8X20 DIN916 BLACK
29	RBC014777	2		HOSE CLIP	SCHLAUCHSCHELLE	COLLIER DE SERRAGE	SLANGKLEM	16-25/12MM
30	EVU000583	1		RADIATOR HOSE	KUHLWASSERSCHLAUCH	TUYAU RADIATEUR	KOELWATERSLANG	
31	EVU001002	1		HOSE	SLAUCH	TUYAU	SLANG	RESERVOIR RADIATOR
32	RBC029152	2		HOSE CLIP	SCHLAUCHSCHELLE	COLLIER DE SERRAGE	SLANGKLEM	10-16/10MM
33	rbc014773	1		RESERVOIR	VORRATSBEHAELTER	RESERVOIR	EXPANSIEVAT	
34	RBC028593	1		FILLER CAP	VERSCHLUSSDECKEL	BOUCHON	AFSLUITSTOP	

EVM021504

F3/R3



FUEL SUPPLY | KRAFTSTOFFVERSORGUNG | ALIMENTATION DE COMBUSTIBLE | BRANDSTOFTOEVOER

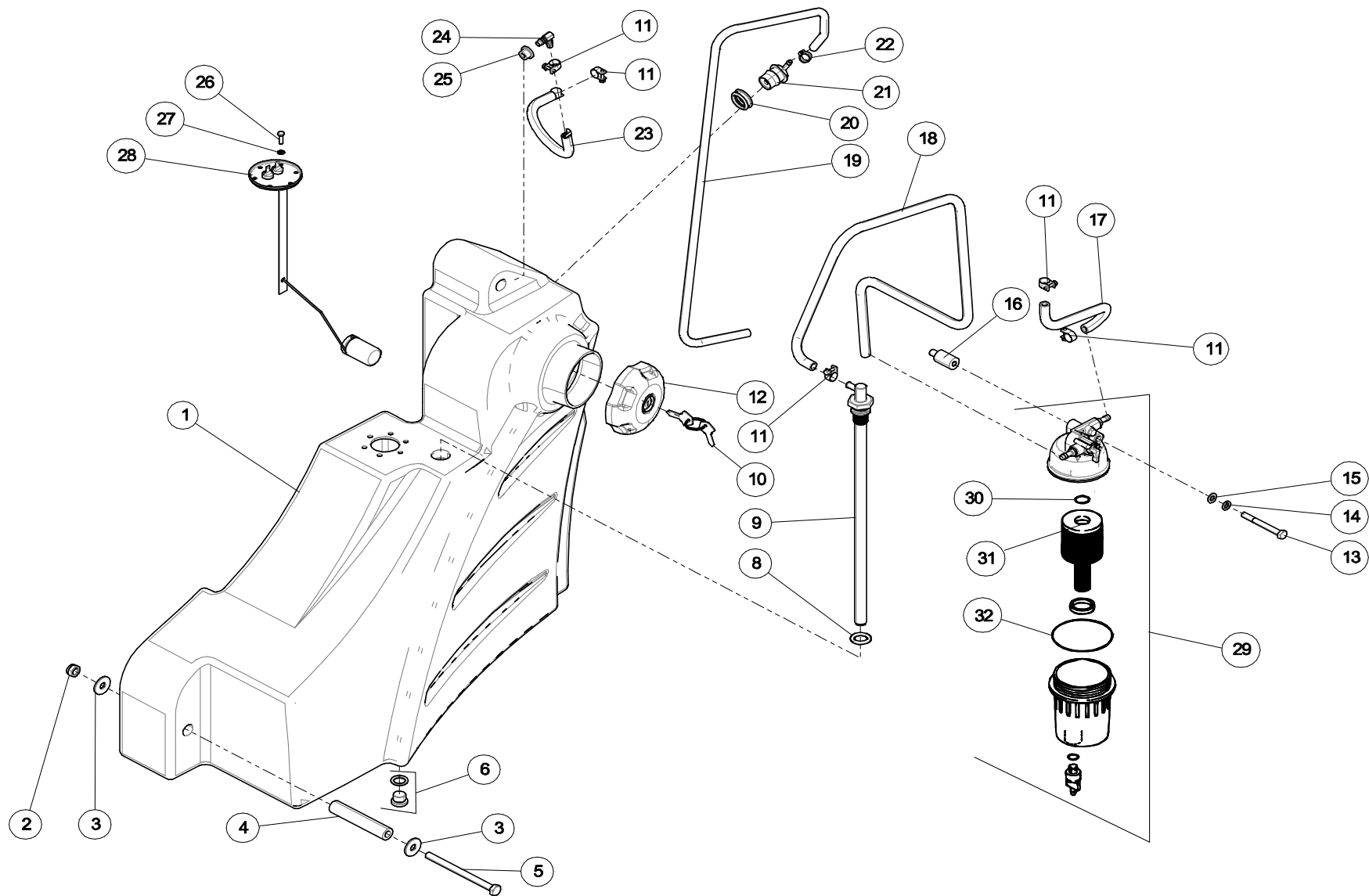
EVM021504

F3/R3

KEY	PART NO.	QTY	SERIAL NO.	DESCRIPTION	BESCHREIBUNG	DESIGNATION	OMSCHRIJVING	REMARKS
1	EVA000150	1		FUEL TANK	KRAFTSTOFFBEHALTER	RESERVOIR A COMBUSTIBLE	BRANDSTOFTANK	CPL.
2	11.05.010	2		LOCKNUT	SICHERUNGSMUTTER	SICHERUNGSMUTTER	ZESK.BORGMOER	DIN985,M10-8-ZN
3	12.15.110	4		WASHER	UNTERLEGSCHIEBE	RONDELLE	SLUITRING	DIN9021-M10-ZN
4	EVU000217	2		SPACER	DISTANZSTUECK	ENTRETOISE	AFSTANDSPIJP	
5	10.04.137	2		SCREW,HEX	SKT.SCHRAUBE	VIS A TETE,HEX	ZESK.BOUT	DIN931,M10X130-8.8-ZN
6	RBU211776	1		DRAIN PLUG WITH SEAL	ABLASSSTOPFEN MIT DICHTUNG	BOUCHON DE VINGE	AFTAPPLUG MET PAKKING	
8	RBU211701	1		O-RING	O-RING	JOINT TORIQUE	O-RING	
9	EVA000322	1		FUEL PICK UP	ANSAUGROHR	PIPE D'ASPIRATION	INLAATMONDSTUK	
10	EVA000560	1		KIT,KEYS	SATZ,SCHLUESSEL	KIT,CLE	SET,SLEUTELS	FUEL CAP
11	RBC201890	2		HOSE CLIP	SCHLAUCHSCHELLE	COLLIER DE SERRAGE	SLANGKLEM	13MM,MINI
12	EVA000321	1	-**V0047	FUEL CAP	TANKKAPPE	BOUCHON DE RESERVOIR	TANKDOP	
12	EVA001338	1	**V0048-	FUEL CAP WITH LOCK	TANKKAPPE MIT SCHLOSS	BOUCHON DE RESERVOIR AVEC	TANKDOP MET SLOT	
13	10.04.101	1		SCREW,HEX	SKT.SCHRAUBE	VIS A TETE,HEX	ZESK.BOUT	DIN931,M8X75-8.8-ZN
14	12.01.008	1		WASHER,SPRING	FEDERRING	RONDELLE FREIN	VEERRING	DIN128,M8-ZN
15	12.11.008	1		WASHER	UNTERLEGSCHIEBE	RONDELLE	SLUITRING	DIN125A,M8-ZN
16	EVU000955	1		HOLDER	STUETZE	SUPPORT	HOUDER	WATER SEPARATOR
17	EVU001712	1		FUEL LINE	KRAFTSTOFLEITUNG	CONDUITE DE COMBUSTIBLE	BRANDSTOFLEIDING	
18	EVU000578	1		FUEL HOSE	KRAFTSTOFFSCHLAUCH	TUYAU	BRANDSTOFSLANG	980MM
19	EVU000579	1		FUEL HOSE	KRAFTSTOFFSCHLAUCH	TUYAU	BRANDSTOFSLANG	850MM
20	EVU001007	1		TULLE,RUBBER	TULL,GUMMI	TULLES,CAOUTCHOUC	TULE,RUBBER	
21	EVA000511	1		FLOAT VALVE	SCHWIMMERVERTIL	SOUPAPE A CLOCHE	VLOTTERVENTIEL	
22	EVA001174	1		ONE EAR CLAMP	EINOHRKLEMME MIT RING	COLLIER A UNE OREILLE	EENOORKLEM	11.1-13.1MM-SS
23	RBU210601	1		FUEL LINE	KRAFTSTOFLEITUNG	CONDUITE DE COMBUSTIBLE	BRANDSTOFLEIDING	400MM
24	RBC044910	1		FITTING	FITTING	RACCORD	NIPPEL	WS8
25	RBC047026	1		SEAL	DICHTRING	JOINT A LEVRE	AFDICHTINGSRING	

EVM021504

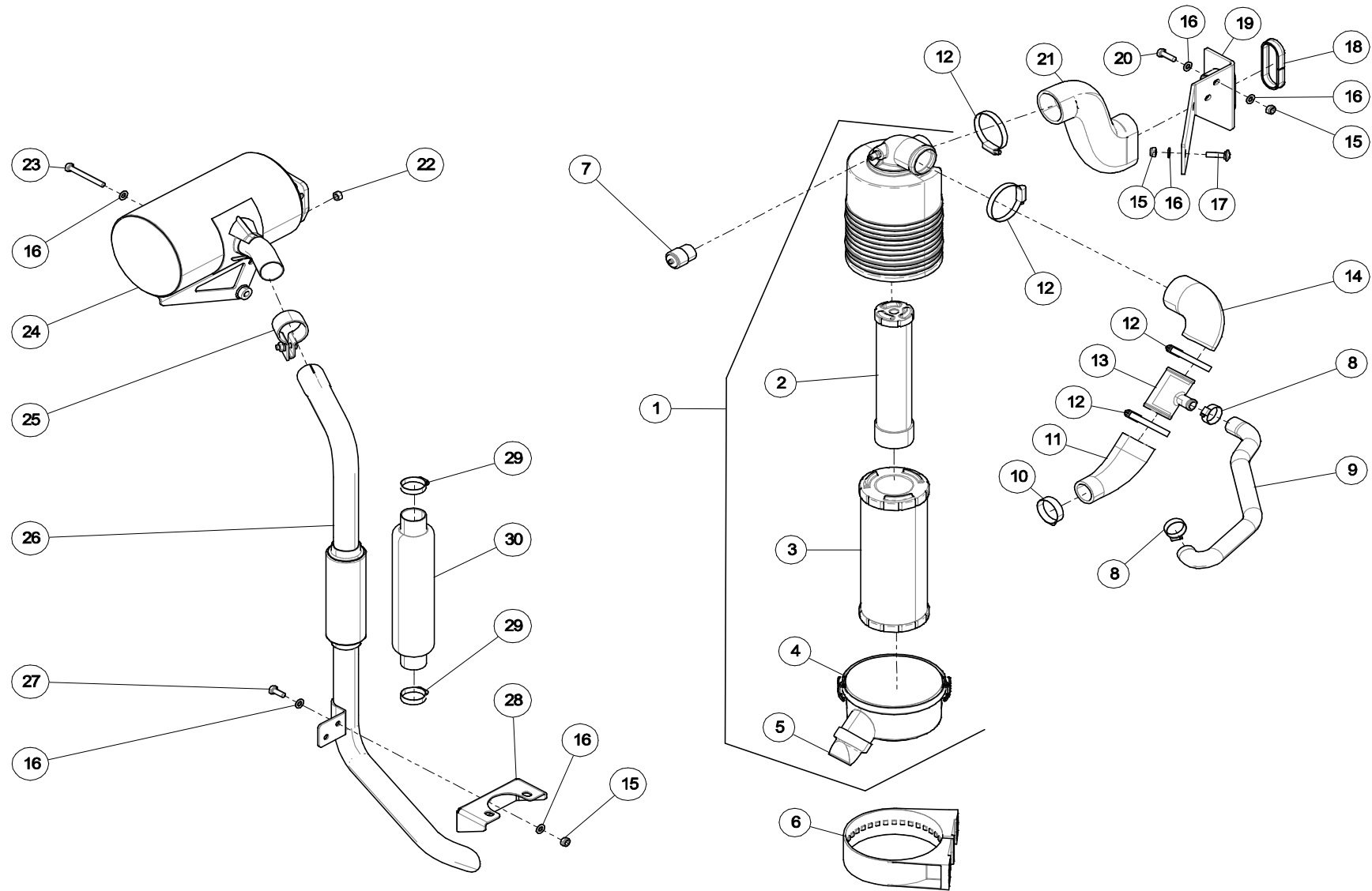
F3/R3



FUEL SUPPLY | KRAFTSTOFFVERSORGUNG | ALIMENTATION DE COMBUSTIBLE | BRANDSTOFTOEVOER
EVM021504
F3/R3

KEY	PART NO.	QTY	SERIAL NO.	DESCRIPTION	BESCHREIBUNG	DESIGNATION	OMSCHRIJVING	REMARKS
26	10.02.040	6		SCREW,HEX	SKT.SCHRAUBE	VIS A TETE,HEX	ZESK.TAPBOUT	DIN933,M5X16-8.8-ZN
27	12.11.005	6		WASHER	UNTERLEGSCHIEBE	RONDELLE	SLUITRING	DIN125A,M5-ZN
28	EVA000323	1		TANK FLOAT TRANSM.	TANKGEBER	JAUGE A CARBURANT	VLOTTERSET	
29	EVA000496	1		WATER SEPARATOR	WASSERABSCHIEDER	SEPARATEUR D'EAU	WATERAFSCHEIDER	YANMAR
30	EVU001298	1		O-RING	O-RING	JOINT TORIQUE	O-RING	WATER SEPARATOR
31	EVA000721	1		FILTER ELEMENT	FILTREINSATZ	ELEMENT DE FILTRE	FILTRELEMENT	
32	EVU001297	1		O-RING	O-RING	JOINT TORIQUE	O-RING	WATER SEPARATOR

EXHAUST AND AIR FILTER | AUSPUFF UND LUFTFILTER | ECHAPPEMENT ET FILTRE A AIR | UITLAAT EN LUCHTFITLER
EVM021505
F3/R3

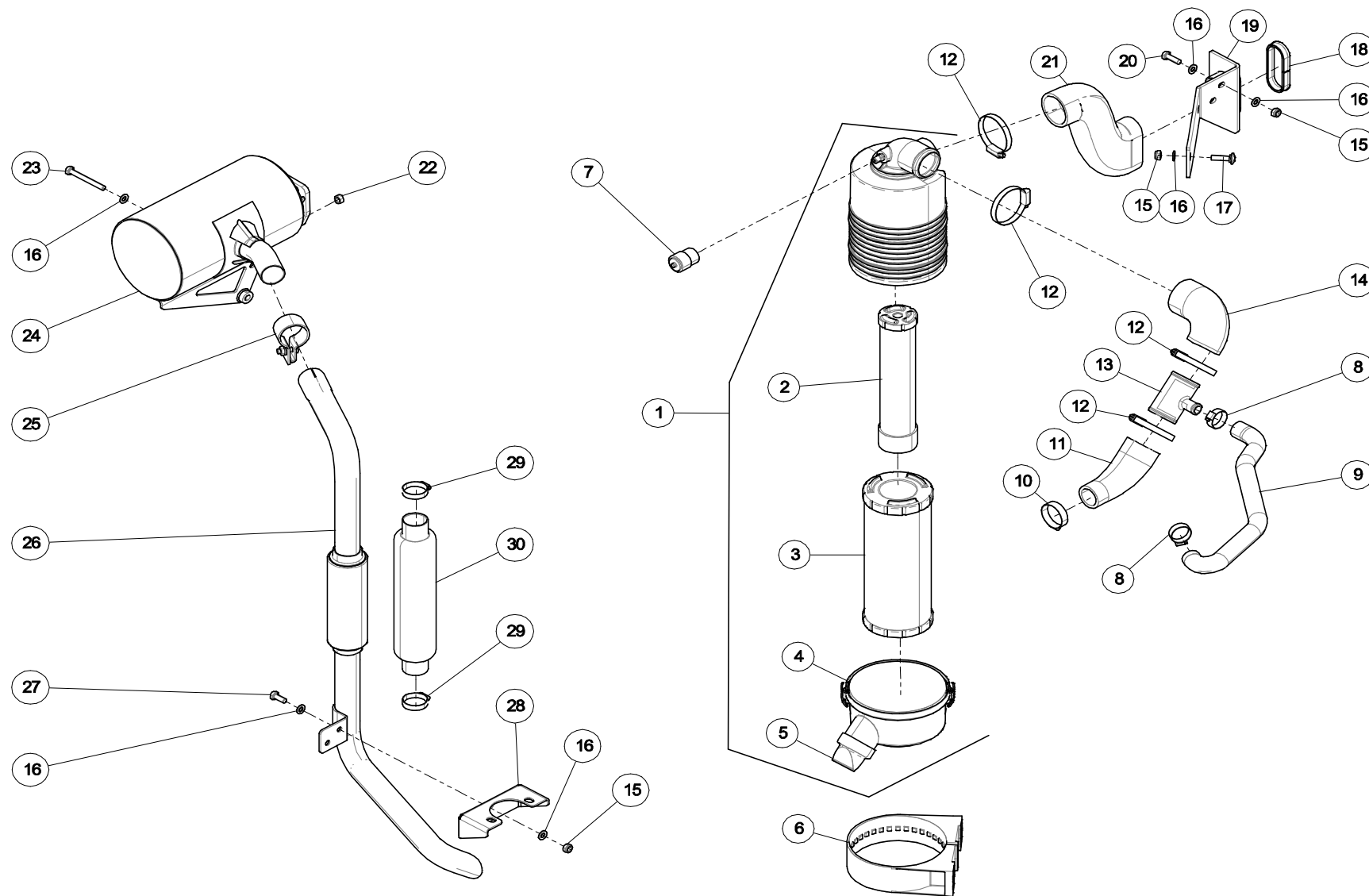


EXHAUST AND AIR FILTER | AUSPUFF UND LUFTFILTER | ECHAPPEMENT ET FILTRE A AIR | UITLAAT EN LUCHTFITLER
EVM021505
F3/R3

KEY	PART NO.	QTY	SERIAL NO.	DESCRIPTION	BESCHREIBUNG	DESIGNATION	OMSCHRIJVING	REMARKS
1	EVA000129	1		AIR FILTER	LUFTFILTER	FILTRE A AIR	LUCHTFILTER	CPL.
2	EVA000109	1		AIR FILTER	LUFTFILTERELEMENT	ELEMENT FILTRE A AIR	LUCHTFILTERELEMENT	SAFETY
3	EVA000108	1		AIR FILTER	LUFTFILTERELEMENT	ELEMENT FILTRE A AIR	LUCHTFILTERELEMENT	PRIMARY
4	EVA000458	1		COVER	DECKEL	COUVERCLE	DEKSEL	
5	EVU000574	1		VACUATOR VALVE	STAUBAUSLASSVENTIL	POUSSIERE DE SOUPAPE	STOFUITLAATVENTIEL	
6	EVA000106	1		SUPPORT	STUETZE	APPUI	HOUDER	
7	EVA000107	1		RESTRICTION INDICATOR	INDICATOR	INDICATOR	RESTRICTIE INDICATOR	
8	RBC014777	2		HOSE CLIP	SCHLAUCHSCHELLE	COLLIER DE SERRAGE	SLANGKLEM	16-25/12MM
9	EVU000948	1		BREATHER HOSE	ENTLUFTUNGSLEITUNG	RENIFLARD	ONTLUCHTINGSSLANG	
10	RBC014563	1		HOSE CLIP	SCHLAUCHSCHELLE	COLLIER DE SERRAGE	SLANGKLEM	32-44/12MM
11	EVU000958	1		TURBO HOSE	TURBOSCHLAUCH	TUYAU TURBO	TURBOSLANG	
12	RBC202405	4		HOSE CLIP	SCHLAUCHSCHELLE	COLLIER DE SERRAGE	SLANGKLEM	50-65/12MM
13	EVU001008	1		BREATHER JOINT	KUPPLER	COUPLEUR	KOPPELSTUK	
14	EVU000167	1		TURBO HOSE	TURBOSCHLAUCH	TUYAU TURBO	TURBOSLANG	
15	11.05.008	6		LOCKNUT	SICHERUNGSMUTTER	CONTRE-ECROU	ZESK.BORGMOER	DIN985,M8-8-ZN
16	12.11.008	12		WASHER	UNTERLEGSCHIEBE	RONDELLE	SLUITRING	DIN125A,M8-ZN
17	10.15.092	2		BOLT,RH,SQNECK	FLACHRUNDSCHRAUBE	VIS A TETE BOMBEE	SLOTBOUT	DIN603,M8X30-8.8-ZN
18	EVA000342	1		RIM PROTECTION	KANTENSCHUTZ	PROFILE DE PROTECTION	KANTPROFIEL	
19	EVA000399	1		SUPPORT	STUETZE	APPUI	STEUN	
20	10.02.091	2		SCREW,HEX	SKT.SCHRAUBE	VIS A TETE,HEX	ZESK.TAPBOUT	DIN933,M8X25-8.8-ZN
21	EVU000166	1		AIR INTAKE HOSE	LUFTFILTERSCHLAUCH	TUYAU FILTRE A AIR	LUCHTFILTERSLANG	
22	RBC028794	4		NUT	MUTTER	ECROU	MOER	M8,COPPER
23	10.04.100	2		SCREW,HEX	SKT.SCHRAUBE	VIS A TETE,HEX	ZESK.BOUT	DIN931,M8X70-8.8-ZN
24	EVU000390	1		SILENCER	AUSPUFFTOPF	SILENCIEUX D'ECHAPPEMENT	UITLAATDEMPER	
25	EVU000388	1		EXHAUST CLAMP	AUSPUFFKLEMME	BRIDE D'ECHAPPEMENT	UITLAATKLEM	

EVM021505

F3/R3



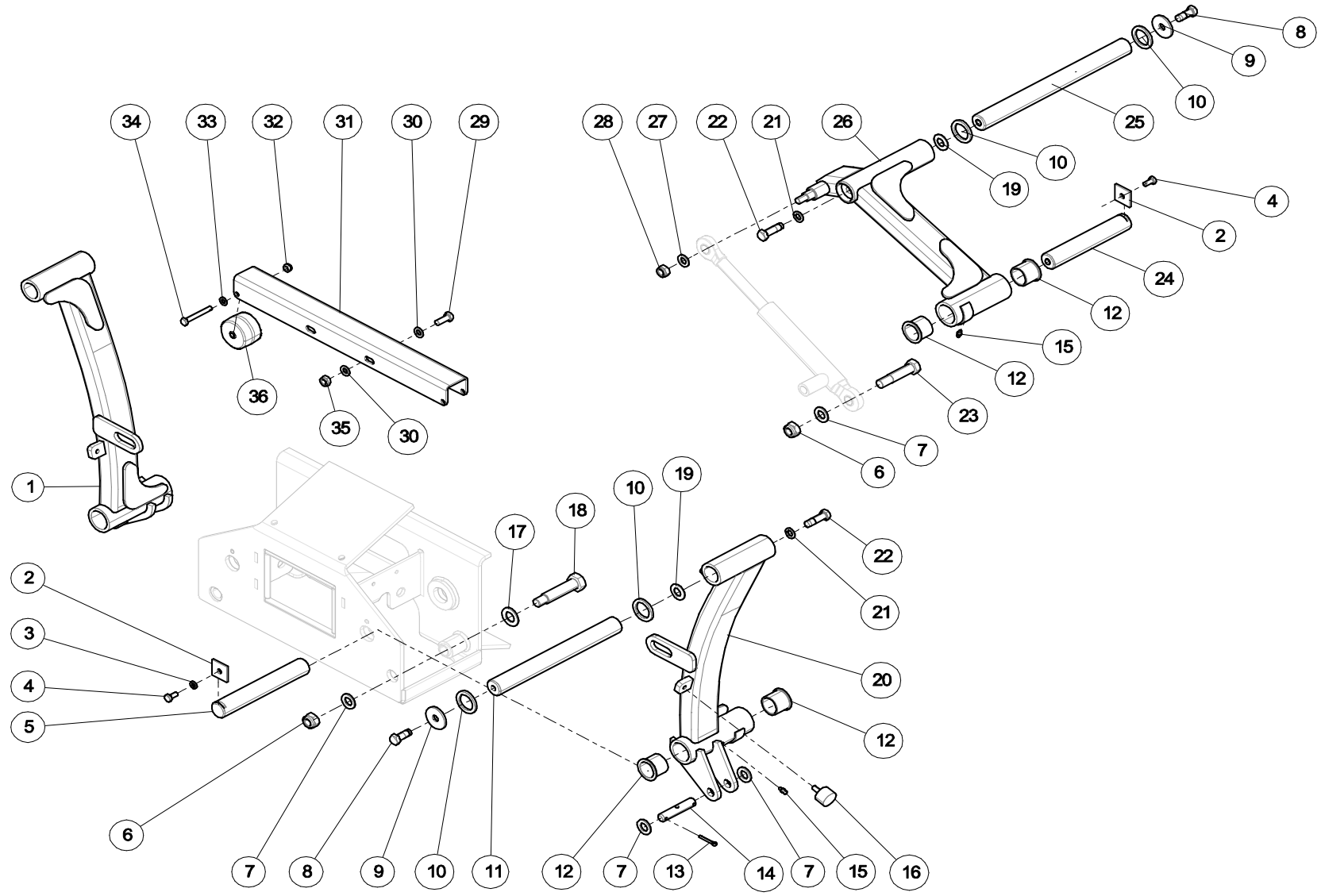
EXHAUST AND AIR FILTER | AUSPUFF UND LUFTFILTER | ECHAPPEMENT ET FILTRE A AIR | UITLAAT EN LUCHTFITLER

EVM021505

F3/R3

KEY	PART NO.	QTY	SERIAL NO.	DESCRIPTION	BESCHREIBUNG	DESIGNATION	OMSCHRIJVING	REMARKS
26	EVU000389	1		EXHAUST PIPE	AUSPUFFROHR	TUBE D'ÉCHAPEMENT	UITLAATPIJP	F3/R3
27	10.02.089	2		SCREW,HEX	SKT.SCHRAUBE	VIS A TETE,HEX	ZESK.TAPBOUT	DIN933,M8X20-8.8-ZN
28	EVU000946	1		BRACKET EXHAUST	STUETZE AUSPUFF	SUPPORT TUYAU D'ÚCHAPPEME	HOUDER UITLAAT	
29	RBC202099	2		HOSE CLIP	SCHLAUCHSCHELLE	COLLIER DE SERRAGE	SLANGKLEM	26/38MM
30	RBC210625	1		ISOLATOR	ISOLIERSCHLAUCH	ISOLATEUR	ISOLATIEKOUS	

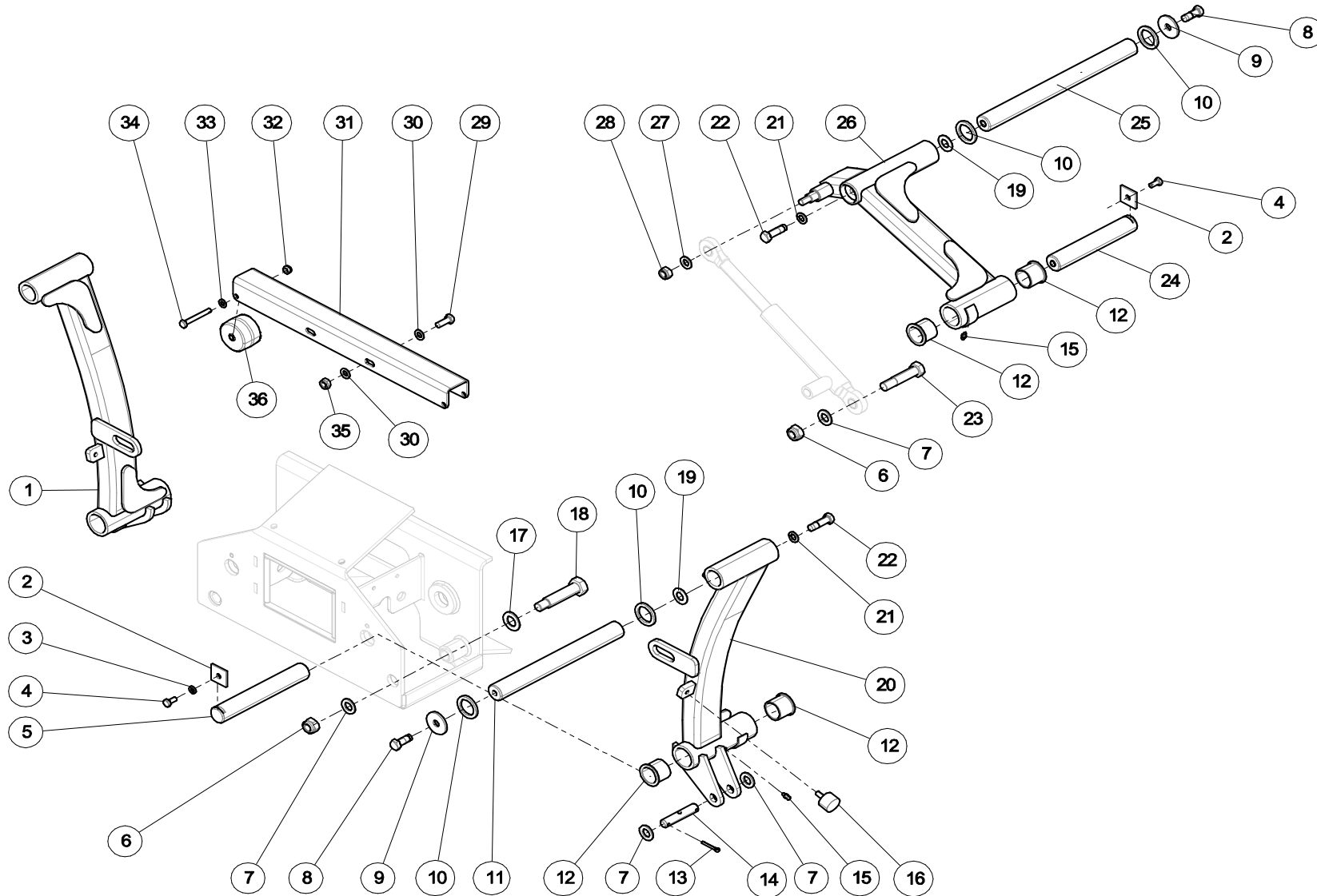
LIFT ARMS | HUBARM | BRAS DE LEVAGE | DRAAGARMEN
EVM021506
F3/R3



LIFT ARMS | HUBARM | BRAS DE LEVAGE | DRAAGARMEN
EVM021506
F3/R3

KEY	PART NO.	QTY	SERIAL NO.	DESCRIPTION	BESCHREIBUNG	DESIGNATION	OMSCHRIJVING	REMARKS
1	EVA001266	1		LIFT ARM	TRAGARM	BRAS RELEVAGE	DRAAGARM	FRONT RIGHT
2	RBC030618	3		LOCK PLATE	SICHERUNGSBLECH	FREIN EN TOLE	BORGPLAAT	
3	12.01.008	3		WASHER,SPRING	FEDERRING	RONDELLE FREIN	VEERRING	DIN128,M8-ZN
4	10.02.087	3		SCREW,HEX	SKT.SCHRAUBE	VIS A TETE,HEX	ZESK.TAPBOUT	DIN933,M8X16-8.8-ZN
5	RBC018162	2		SHAFT	WELLE	ARBRE	AS,DRAAGARM	
6	11.05.016	3		LOCKNUT	SICHERUNGSMUTTER	CONTRE-ECROU	ZESK.BORGMOER	DIN985,M16-8-ZN
7	12.11.016	7		WASHER	UNTERLEGSCHIEBE	RONDELLE	SLUITRING	DIN125A,M16-ZN
8	10.42.152	3		SCREW,HEX	SKT.SCHRAUBE	VIS A TETE,HEX	ZESK.TAPBOUT	DIN933,M12X30-8.8-ZN TUFLOK
9	EVU001034	3		WASHER	UNTERLEGSCHIEBE	RONDELLE	SLUITPLAAT	
10	RBC031533	6		WASHER	UNTERLEGSCHIEBE	RONDELLE	SLUITRING	
11	EVU000722	2		SHAFT	WELLE	ARBRE	AS	
12	RBC014174	6		BUSHING	BUECHSE	BAGUE	LAGERBUS	
13	RBC015991	4		SPLIT PIN	SPLINTE	GOUPILLE FENDUE	SPLITPEN	DIN94-5X32-ZN
14	RBC030632	2		PIN	STIFT	GOUPILLE	SCHARNIERPEN	16X78
15	20.03.001	3		GREASE ZERK	SCHMIERNIPPEL	GRAISSEUR	SMEERNIPPEL	DIN71412,M6X1-H1
16	RBC032339	2		BUFFER,TYPE D	PUFFER,TYP D	AMORTISSEUR DE VIBRATIONS	TRILLINGDEMPEER,TYPE D	D30XH20,M8X20-60SHORE
17	12.11.020	2		WASHER	UNTERLEGSCHIEBE	RONDELLE	SLUITRING	DIN125A,M20-ZN
18	EVU000144	2		CYLINDER PIN	ZYLINDERSTIFT	CILINDRE PIN	CILINDERPEN	
19	RBC044590	12		DISC SPRING	TELLERFEDER	RONDELLE RESORT	SCHOTELVEER	31.5X16.3X2,75 T=2
20	EVA001267	1		LIFT ARM	TRAGARM	BRAS RELEVAGE	DRAAGARM	FRONT LEFT
21	12.01.012	3		WASHER,SPRING	FEDERRING	RONDELLE FREIN	VEERRING	DIN128,M12-ZN
22	10.42.154	3		SCREW,HEX	SKT.SCHRAUBE	VIS A TETE,HEX	ZESK.TAPBOUT	DIN933,M12X40-8.8-ZN TUFLOK
23	EVU000577	1		CYLINDER PIN	ZYLINDERSTIFT	CYLINDER PIN	CILINDERPEN	
24	RBC031537	1		SHAFT	WELLE	ARBRE	AS	
25	EVU000742	1		SHAFT	WELLE	ARBRE	AS	LIFT ARM CENTER

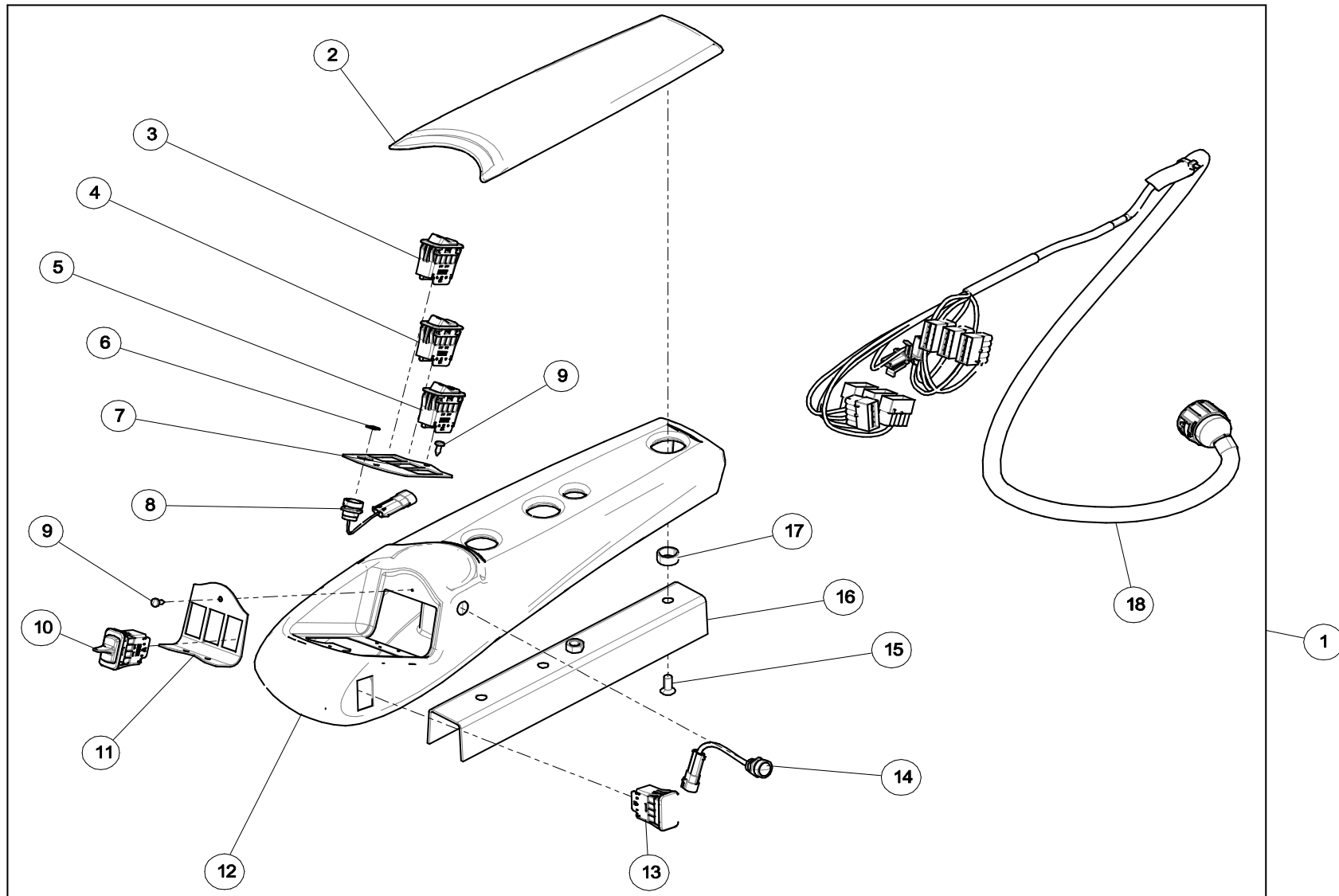
LIFT ARMS | HUBARM | BRAS DE LEVAGE | DRAAGARMEN
EVM021506
F3/R3



LIFT ARMS | HUBARM | BRAS DE LEVAGE | DRAAGARMEN
EVM021506
F3/R3

KEY	PART NO.	QTY	SERIAL NO.	DESCRIPTION	BESCHREIBUNG	DESIGNATION	OMSCHRIJVING	REMARKS
26	EVA000097	1		CENTER LIFT ARM	MITTENTRAGARM	BRAS LEVAGE CENTRE	MIDDENDRAAGARM	
27	12.11.012	1		WASHER	UNTERLEGSSCHEIBE	RONDELLE	SLUITRING	DIN125A,M12-ZN
28	11.05.012	1		LOCKNUT	SICHERUNGSMUTTER	CONTRE-ECROU	ZESK.BORGMOER	DIN985,M12-8-ZN
29	10.02.120	2		SCREW,HEX	SKT.SCHRAUBE	VIS A TETE,HEX	ZESK.TAPBOUT	DIN933,M10X25-8.8-ZN
30	12.11.010	4		WASHER	UNTERLEGSSCHEIBE	RONDELLE	SLUITRING	DIN125A,M10-ZN
31	EVU000382	1		ROLLER SUPPORT	ROLLENSTUETZE	APPUI GALET	ROLHOUDERSTEUN	
32	11.05.008	2		LOCKNUT	SICHERUNGSMUTTER	CONTRE-ECROU	ZESK.BORGMOER	DIN985,M8-8-ZN
33	12.11.008	2		WASHER	UNTERLEGSSCHEIBE	RONDELLE	SLUITRING	DIN125A,M8-ZN
34	10.04.098	2		SCREW,HEX	SKT.SCHRAUBE	VIS A TETE,HEX	ZESK.BOUT	DIN931,M8X60-8.8-ZN
35	11.05.010	2		LOCKNUT	SICHERUNGSMUTTER	SICHERUNGSMUTTER	ZESK.BORGMOER	DIN985,M10-8-ZN
36	RBC014172	1		ROLLER	STUETZROLLE	ROULETTE DE PROTECTION	STEUNWIEL	

ELECTRICAL COMPONENTS | ELECTRO TEILE | PIECES ELECTRIQUES | ELEKTRISCHE COMPONENTEN
EVM021507
F3/R3



ELECTRICAL COMPONENTS | ELECTRO TEILE | PIECES ELECTRIQUES | ELEKTRISCHE COMPONENTEN

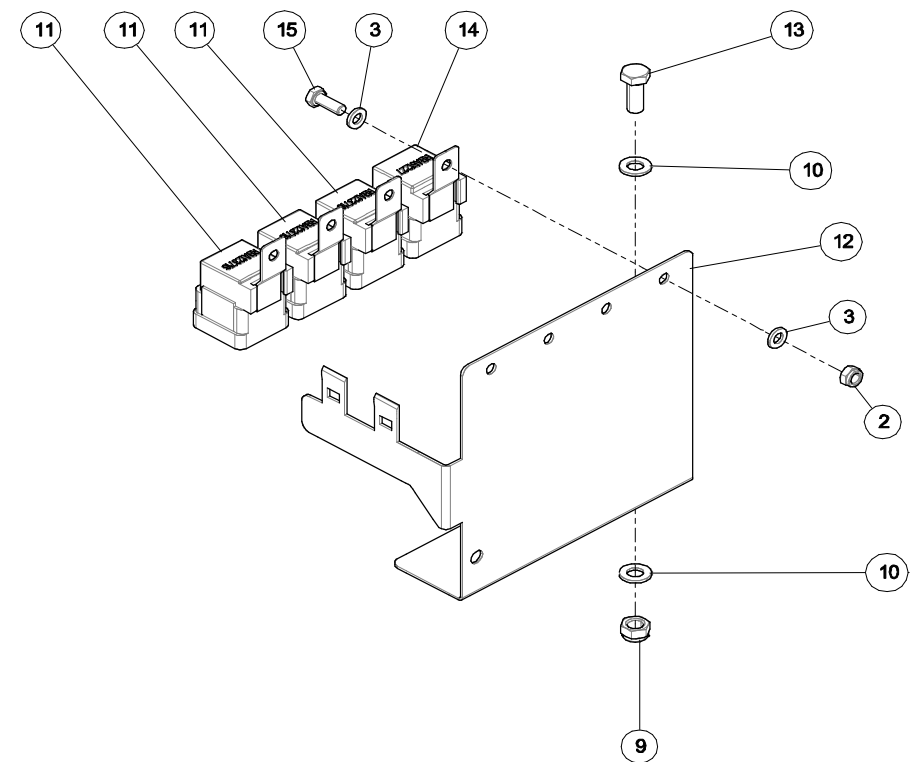
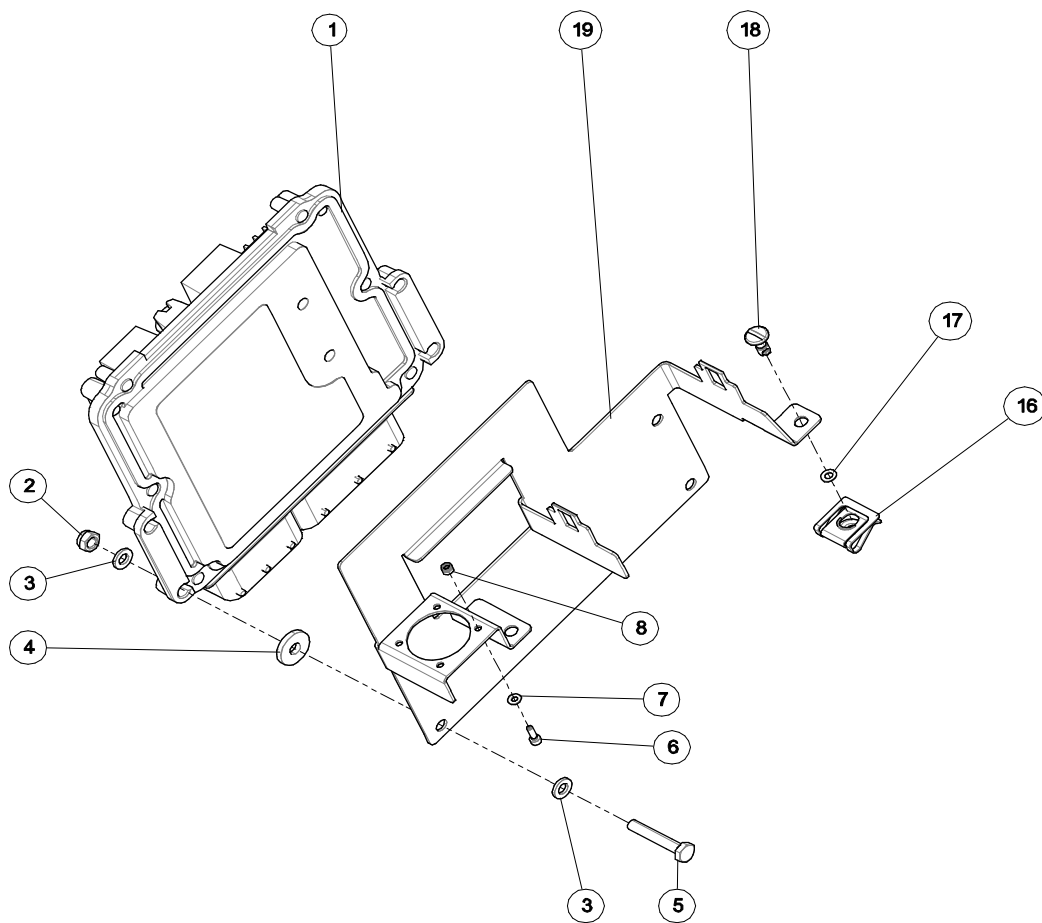
EVM021507

F3/R3

KEY	PART NO.	QTY	SERIAL NO.	DESCRIPTION	BESCHREIBUNG	DESIGNATION	OMSCHRIJVING	REMARKS
1	EVA000366	1		ARMREST CONSOLE,CPL.	ARMSTUTZEN KONSOLE,KPL.	CONSOLE FEU D'ACCOUDOIR,CP	ARMSTEUN CONSOLE,KPL.	
2	RBA210306	1		CUSHION	POLSTER	COUSSIN	KUSSEN	
3	EVA000155	1		SWITCH	SCHALTER	CONTACTEUR	SCHAKELAAR	GROUND PRESSURE
4	RBA210288	1		ROCKER SWITCH	WIPPSCHALTER	CONTACTEUR A BASCULE	WIPSCHAKELAAR	LOWER ENABLED
5	EVA000096	1		SWITCH	SCHALTER	CONTACTEUR	SCHAKELAAR	MOWING / LAPPING
6	EVU000207	1		DECAL	AUFKLEBER	AUTOCOLLANT	STICKER	CRUISE CONTROL
7	EVU000912	1		INSTRUMENTPANEL	ARMATURENTAFEL	TABLEAU DE CONTROLE	CONTROLEPANEEL	CONTROL ARM,LOWER
8	RBA210324	1		SWITCH	SCHALTER	INTERRUPTEUR	SCHAKELAAR	CROSS CUT
9	RBU210889	5		TORX SCREW	TORXSCHRAUBE	TORX VIS	TORXSCHROEF	DIN7981,ST4.8X13,WZN
10	RBA210293	3		PADDLE SWITCH	SCHALTER	INTERRUPTEUR	SCHAKELAAR	RAISE / LOWER
11	RBU210707	1		INSTRUMENT PANEL	ARMATURENTAFEL	TABLEAU DE CONTROLE	CONTROLEPANEEL	CONTROL ARM,UPPER
12	EVU000857	1		ARMREST,RIGHT	ARMLEHNE,RECHTS	ACCOUDOIR,DROITE	ARMLEUNING,RECHTS	
13	RBU210629	1		PLUG,PANEL	STOPFEN,PANEL	BOUCHON,PANEL	DOP,PANEEL	
14	RBA210324	1		SWITCH	SCHALTER	INTERRUPTEUR	SCHAKELAAR	CROSS CUT
15	10.64.089	3		SCREW	SCHRAUBE,SENK,ISK	VIS TETE,FRA,SPC	BOUT,VERZ,BZK	ISO10642,M8X1.25X20-10.9-ZN
16	RBA210239	1		CHANNEL	U-PROFIL	PROFILE EN U	U-PROFIEL	
17	RBU210468	1		SPACER	DISTANZBUECHSE	ENTRETOISE	AFSTANDBUS	COMMAND ARM
18	EVA000255	1		WIRING HARNESS	KABELBAUM	CABLE FAISCEAU	KABELBUNDEL	COMMAND ARM

EVM021507

F3/R3



ELECTRICAL COMPONENTS | ELECTRO TEILE | PIECES ELECTRIQUES | ELEKTRISCHE COMPONENTEN

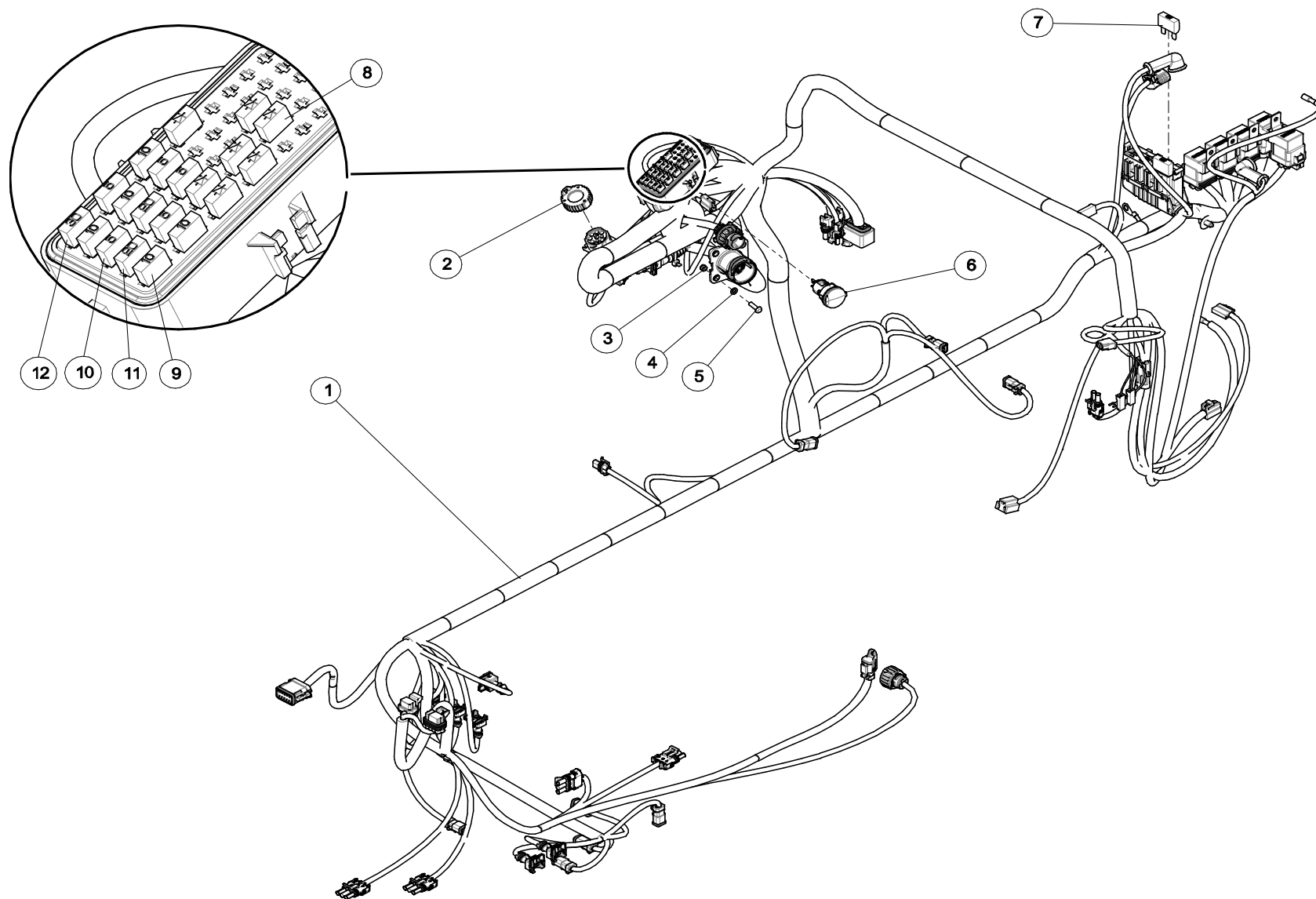
EVM021507

F3/R3

KEY	PART NO.	QTY	SERIAL NO.	DESCRIPTION	BESCHREIBUNG	DESIGNATION	OMSCHRIJVING	REMARKS
1	EVA000500	1		ECU	ECU	ECU	ECU	
2	11.05.006	11		LOCKNUT	SICHERUNGSMUTTER	CONTRE-ECROU	ZESK.BORGMOER	DIN985,M6-8-ZN
3	12.11.006	20		WASHER	UNTERLEGSCHIEBE	RONDELLE	SLUITRING	DIN125A,M6-ZN
4	EVU000959	4		RUBBER RING	GUMMIRING	RONDELLE DE CAOUTCHOUC	RUBBER RING	
5	10.04.067	4		SCREW,HEX	SKT.SCHRAUBE	VIS A TETE,HEX	ZESK.BOUT	DIN931,M6X35-8.8-ZN
6	10.28.006	4		SCREW,SOC	ZYL.SCHRAUBE,ISK	VIS A TETE,CYL.SPC	CIL.BOUT,BZK	DIN912X10-8.8-ZN
7	12.11.003	4		WASHER	UNTERLEGSCHIEBE	RONDELLE	SLUITRING	DIN125A-ZN
8	11.05.003	4		LOCKNUT	SICHERUNGSMUTTER	CONTRE-ECROU	ZESK.BORGMOER	DIN985,M3-8-ZN
9	11.05.008	2		LOCKNUT	SICHERUNGSMUTTER	CONTRE-ECROU	ZESK.BORGMOER	DIN985,M8-8-ZN
10	12.11.008	4		WASHER	UNTERLEGSCHIEBE	RONDELLE	SLUITRING	DIN125A,M8-ZN
11	RBA123716	4		RELAY,SEALED	RELAIS	RELAIS	RELAIS	W/BRACKET
12	EVU000548	1		PLATE MOUNTING RELAIS	PLATTE MONTAGE RELAIS	PLAQUE MONTER RELAIS	PLAAT MONTAGE RELAIS	
13	10.02.089	3		SCREW,HEX	SKT.SCHRAUBE	VIS A TETE,HEX	ZESK.TAPBOUT	DIN933,M8X20-8.8-ZN
14	RBA51227	1		RELAY,SEALED	RELAIS	RELAIS	RELAIS	W/360 TERMINALS
15	10.02.061	6		SCREW,HEX	SKT.SCHRAUBE	VIS A TETE,HEX	ZESK.TAPBOUT	DIN933,M6X16-8.8-ZN
16	EVU000570	2		CLIP ON	AUFSTECKGEGENSTUCK	AGRAFE	SCHUIFCLIP	RECEPTACLE
17	EVU000572	2		RETAINER PUSH ON	SICHERUNGSRING	RONDELLE DE RETENUE	BORGRING	PLASTIC
18	EVU000551	2		STUD SLOT RECESS	ZAPFEN LINSKOPF SCHLITZ	GOUJON FENDUE	STIFT ZAAGSNEDE	12MM
19	EVU000554	1		BRACKET ECU	KONSOLE ECU	CONSOLE ECU	HOUDER ECU	

EVM021507

F3/R3



ELECTRICAL COMPONENTS | ELECTRO TEILE | PIECES ELECTRIQUES | ELEKTRISCHE COMPONENTEN

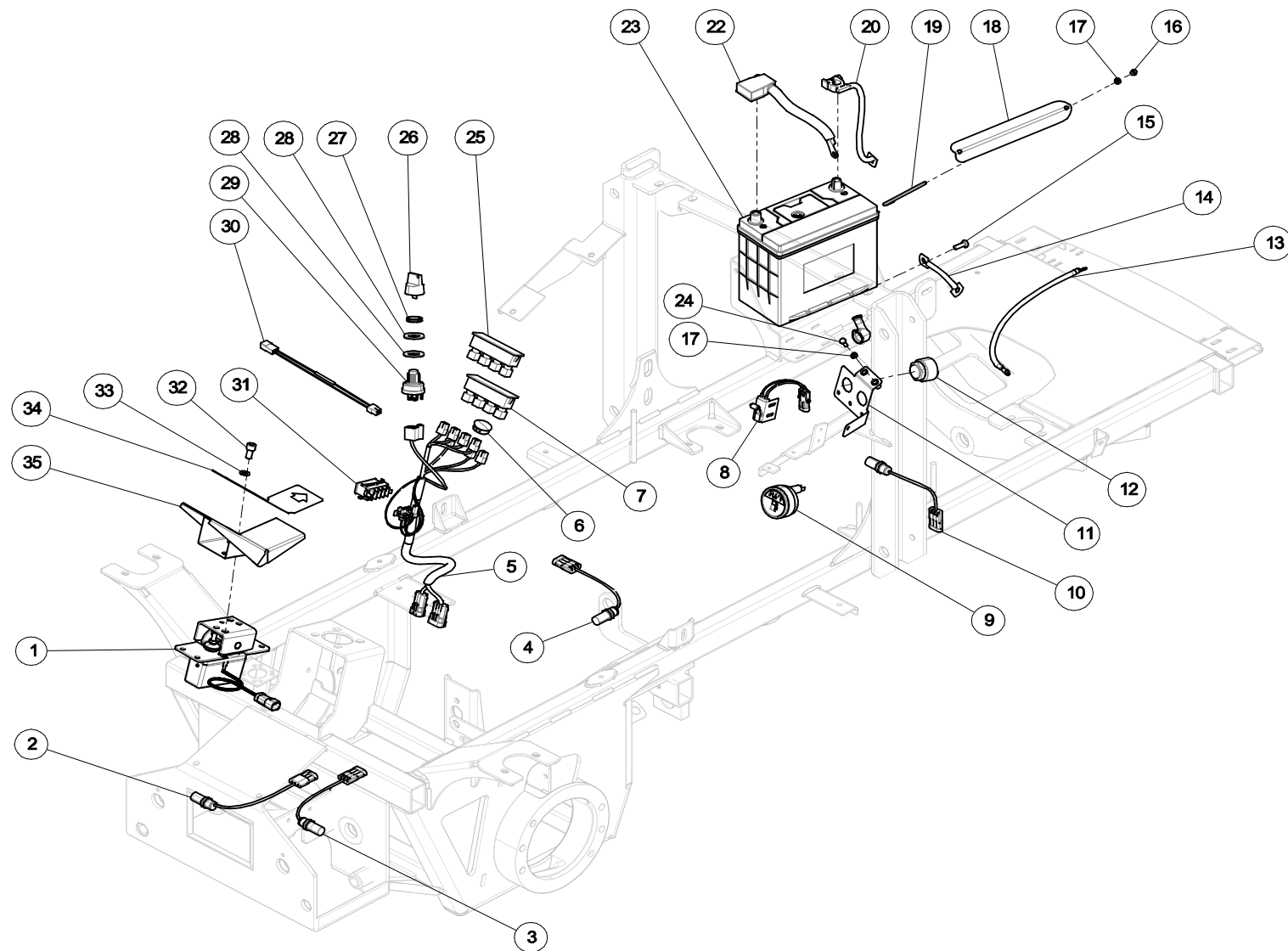
EVM021507

F3/R3

KEY	PART NO.	QTY	SERIAL NO.	DESCRIPTION	BESCHREIBUNG	DESIGNATION	OMSCHRIJVING	REMARKS
1	EVA000253	1		WIRING HARNESS	KABELBAUM	CABLE FAISCEAU	KABELBUNDEL	BASE FUNCTIONS
2	EVU001016	1		DUST CAP	STAUBSTOPFEN	BOUCHON,CONNECTEUR	STOFKAP	
3	11.05.005	4		LOCKNUT	SICHERUNGSMUTTER	CONTRE-ECROU	ZESK.BORGMOER	DIN985,M5-6-ZN
4	12.11.005	4		WASHER	UNTERLEGSCHIEBE	RONDELLE	SLUITRING	DIN125A,M5-ZN
5	RBU210845	4		TORX SCREW	TORXSCHRAUBE	TORX VIS	TORXSCHROEF	ISO7045,M5X20,8.8,WZN
6	EVA000216	1		CONNECTOR	ANSCHLUSS	BRANCHEMENT	AANSLUITING	12V
7	RBA123716	4		RELAY,SEALED	RELAIS	RELAIS	RELAIS	W/BRACKET
8	EVA000477	7		DIODE,MINI,1A	DIODE,MINI,1A	DIODE,MINI,1A	DIODE,MINI,1A	
9	EVA000472	5		FUSE,BLADE MINI	SICHERUNG,MINI	FUSIBLE,MINI	ZEKERING,MINI	10A 32V RED
10	EVA000471	5		FUSE,BLADE MINI	SICHERUNG,MINI	FUSIBLE,MINI	ZEKERING,MINI	5A 32V LIGHT BROWN
11	EVA000474	2		FUSE,BLADE MINI	SICHERUNG,MINI	FUSIBLE,MINI	ZEKERING,MINI	20A 32V YELLOW
12	EVA000475	1		FUSE,BLADE MINI	SICHERUNG,MINI	FUSIBLE,MINI	ZEKERING,MINI	30A 32V GREEN

EVM021507

F3/R3



ELECTRICAL COMPONENTS | ELECTRO TEILE | PIECES ELECTRIQUES | ELEKTRISCHE COMPONENTEN

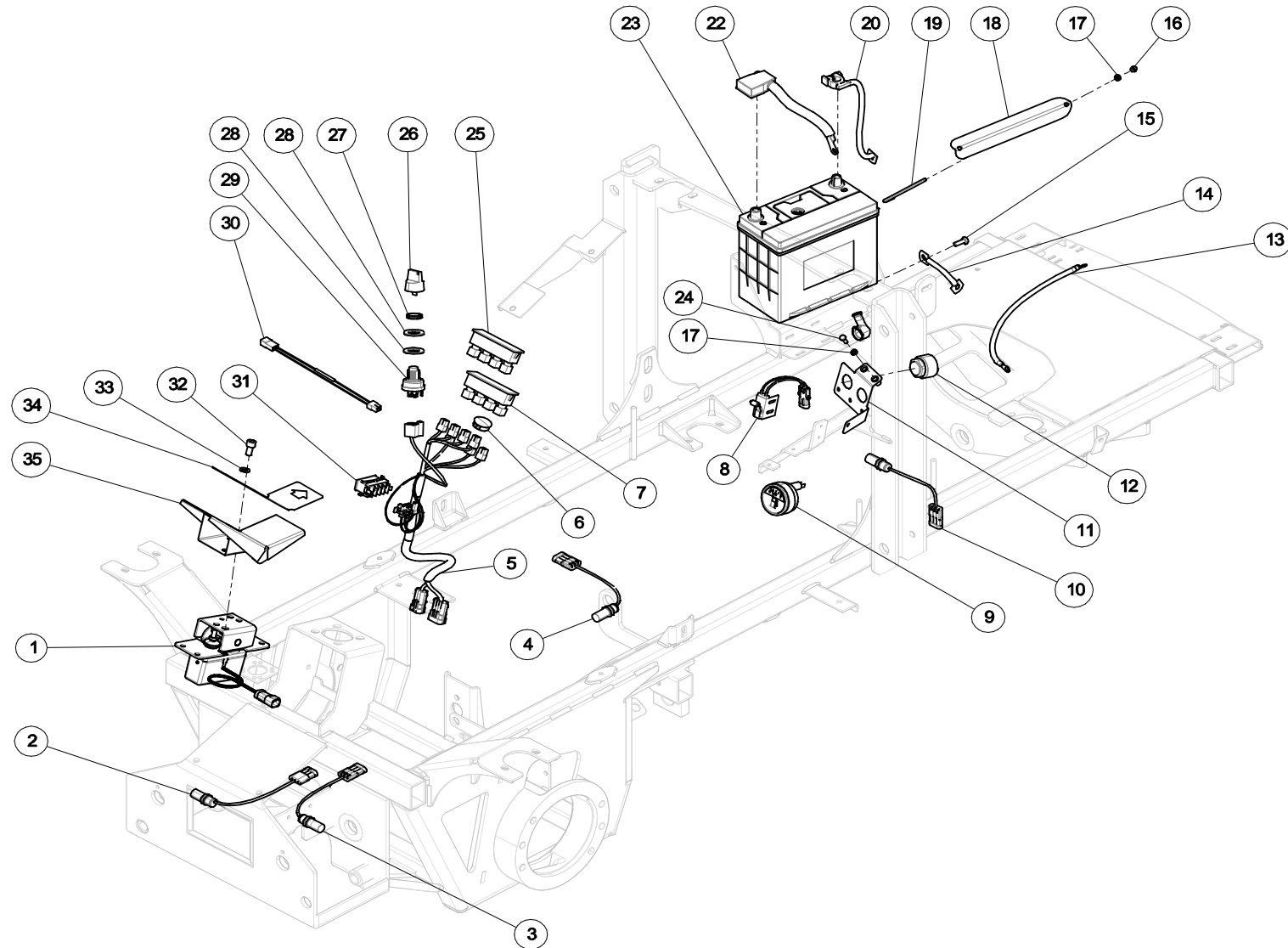
EVM021507

F3/R3

KEY	PART NO.	QTY	SERIAL NO.	DESCRIPTION	BESCHREIBUNG	DESIGNATION	OMSCHRIJVING	REMARKS
1	EVA000282	1		ACCELERATOR PEDAL	FAHRPEDAL	PEDALE DE MARCHE	RIJPEDAAL	
1.1	EVU000573	1		BOOT	BALGEN	SOUFFLET	BALG	
1.2	EVA000354	1		KIT PLUNJER AND BOOT	SATZ KOLBEN UND BALGEN	KIT PISTON E SOUFFLET	KIT PLUNJER EN BALG	
2	RBA210601	1		PROXIMITY SWITCH	INDUKTIONSSCHALTER	FAISCEAU CAPTEUR	BENADERINGSSCHAKELAAR	WITH WIRE
3	RBA210601	1		PROXIMITY SWITCH	INDUKTIONSSCHALTER	FAISCEAU CAPTEUR	BENADERINGSSCHAKELAAR	WITH WIRE
4	RBA210601	1		PROXIMITY SWITCH	INDUKTIONSSCHALTER	FAISCEAU CAPTEUR	BENADERINGSSCHAKELAAR	WITH WIRE
5	EVA000256	1		WIRING HARNESS	KABELBAUM	CABLE FAISCEAU	KABELBUNDEL	DASHBOARD
6	RBC044462	1		PLUG	STOPFEN	BOUCHON	PLUG	PLASTIC
7	EVA000156	1		INDICATOR PANEL	INSTRUMENTENTAFEL	TABLEAU DE BORD	DISPLAY	4 PARTS
8	RBC203912	1		BRAKE SWITCH	BREMSSCHALTER	INTERRUPTEUR	SCHAKELAAR,HANDREM	
9	RBC030609	1		FUEL LEVEL GAUCHE	FUELLSTANDANZEIGE	INDICATEUR DE NIVEAU	BRANDSTOFMETER	
10	RBA210601	1		PROXIMITY SWITCH	INDUKTIONSSCHALTER	FAISCEAU CAPTEUR	BENADERINGSSCHAKELAAR	WITH WIRE
11	EVA000506	1		BUZZER PLATE CPL.	ALARMGEBERPLATTE KPL	BUZZER PLATE CPL.	BUZZER PLATE CPL.	
12	RBC044995	1		WARNING BUZZER	SIGNALGEBER	VIBREUR D'ALARME	SIGNAALGEVER	
13	EVA000494	1		CABLE	KABEL	CABLE	KABEL	DYNAMO-STARTER MOTOR
14	RBA210413	2		GROUND CABLE	MASSEKABEL	CABLE DE MASSE	MASSAKABEL	ENGINE
15	10.02.089	3		SCREW,HEX	SKT.SCHRAUBE	VIS A TETE,HEX	ZESK.TAPBOUT	DIN933,M8X20-8.8-ZN
16	11.05.006	11		LOCKNUT	SICHERUNGSMUTTER	CONTRE-ECROU	ZESK.BORGMOER	DIN985,M6-8-ZN
17	12.11.006	20		WASHER	UNTERLEGSCHIEBE	RONDELLE	SLUITRING	DIN125A,M6-ZN
18	EVU000553	1		BATTERY HOLDER	AKKUHALTER	SUPPORT BATTERIE	ACCUHOUDER	
19	EVU000555	2		PULL ROD	ZUGSTANGE	TIGE DE COMMANDE	TREKSTANG	BATTERY HOLDER
20	RBC011629	1		BATTERY MINUS CABLE	BATTERIEKABEL MIN	CABLE DE BATTERIE MINUS	ACCUKABEL MIN	
22	EVA000372	1		STARTER CABLE	ANLASSERKABEL	CABLE DEMARREUR	STARTKABEL	
23	EVA000145	1		BATTERY	BATTERIE	BATTERIE	ACCU	12V-45AH
24	10.02.061	6		SCREW,HEX	SKT.SCHRAUBE	VIS A TETE,HEX	ZESK.TAPBOUT	DIN933,M6X16-8.8-ZN

EVM021507

F3/R3



ELECTRICAL COMPONENTS | ELECTRO TEILE | PIECES ELECTRIQUES | ELEKTRISCHE COMPONENTEN

EVM021507

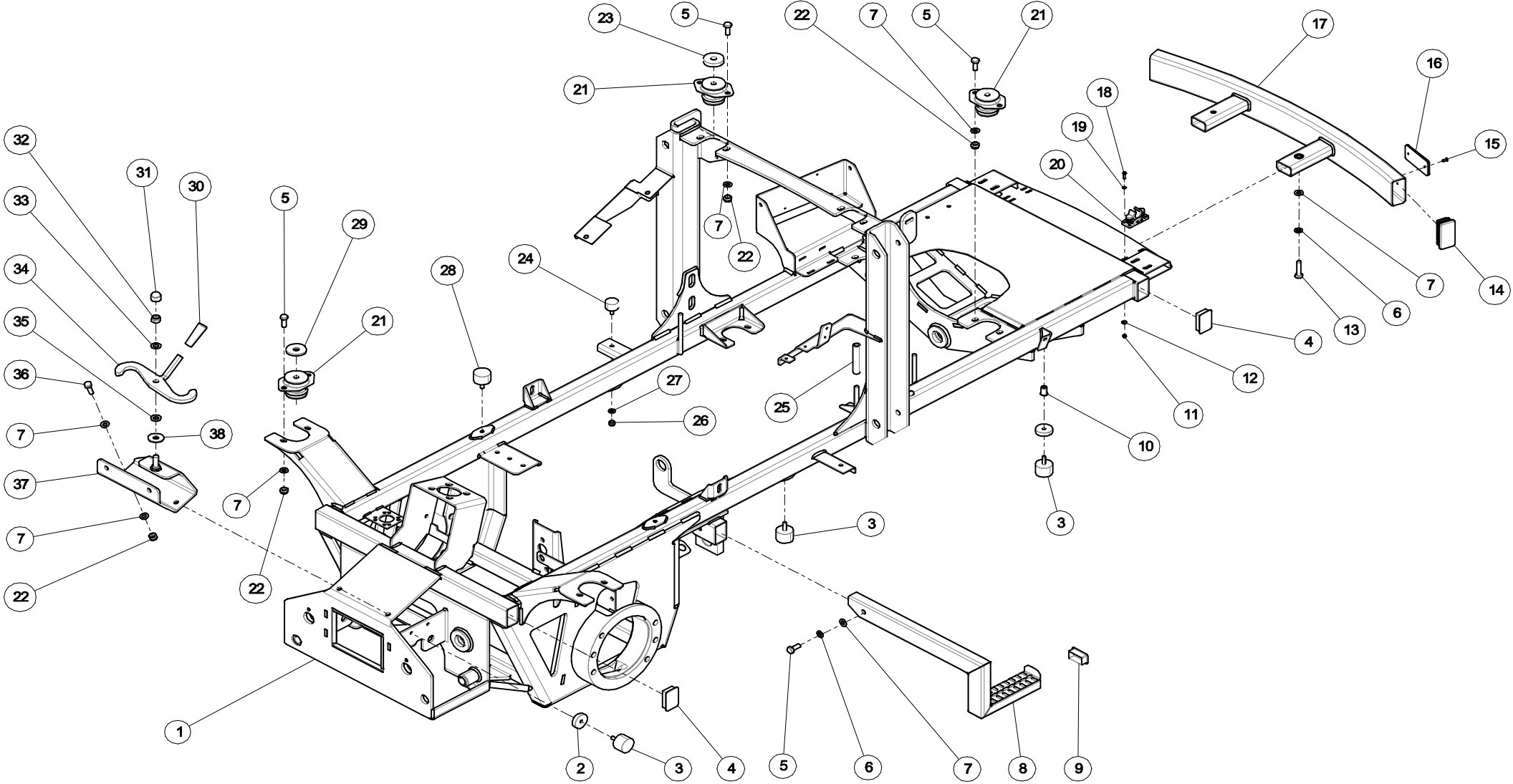
F3/R3

KEY	PART NO.	QTY	SERIAL NO.	DESCRIPTION	BESCHREIBUNG	DESIGNATION	OMSCHRIJVING	REMARKS
25	RBC200812	1		INDICATOR PANEL	INSTRUMENTENTAFEL M3	TABLEAU DE BORD M3	KONTROLEPANEEL M3	
26	EVA000374	1		IGNITION KEY	KONTAKTSCHLUESSEL	CLE DE CONTACT	CONTACTSLEUTEL	
27	RBU110159	1		KNURLED NUT	RAENDELMUTTER	ECROU MOLETE	KARTELMOER	
28	12.11.020	2		WASHER	UNTERLEGSCHIEBE	RONDELLE	SLUITRING	DIN125A,M20-ZN
29	RBA22740	1		IGNITION SWITCH	ZUENDSCHALTER	CONTACTEUR A CLE	CONTACTSLOT	
30	EVA001421	1		WIRING HARNESS ADAPTER	KABELBAUM ADAPTER	CABLE FAISCEAU ADAPTEUR	KABELBUNDEL VERLOOP	
31	EVA000585	1		HOUR METER	ZAHLER,UHREN	COMPTEUR,HEURS	URENTELLER	
32	10.28.118	2		SCREW,SOC	ZYL.SCHRAUBE,ISK	VIS A TETE,CYL.SPC	CIL.BOUT,BZK	DIN912,M10X20-8.8-ZN
33	12.01.010	2		WASHER,SPRING	FEDERRING	RONDELLE FREIN	VEERRING	DIN128,M10-ZN
34	EVU000915	1		NON SKID MAT	ANTIRUTSCHBELAG	TAPIS ANTIDERAPANT	ANTI-SLIPMAT	
35	EVA000324	1		FOOT PLATE CPL.	GANGBLECH KPL.	TABLIER CPL.	VOETPLAAT KPL.	

FRAME | RAHMEN | BATI | FRAME

EVM021508

F3/R3



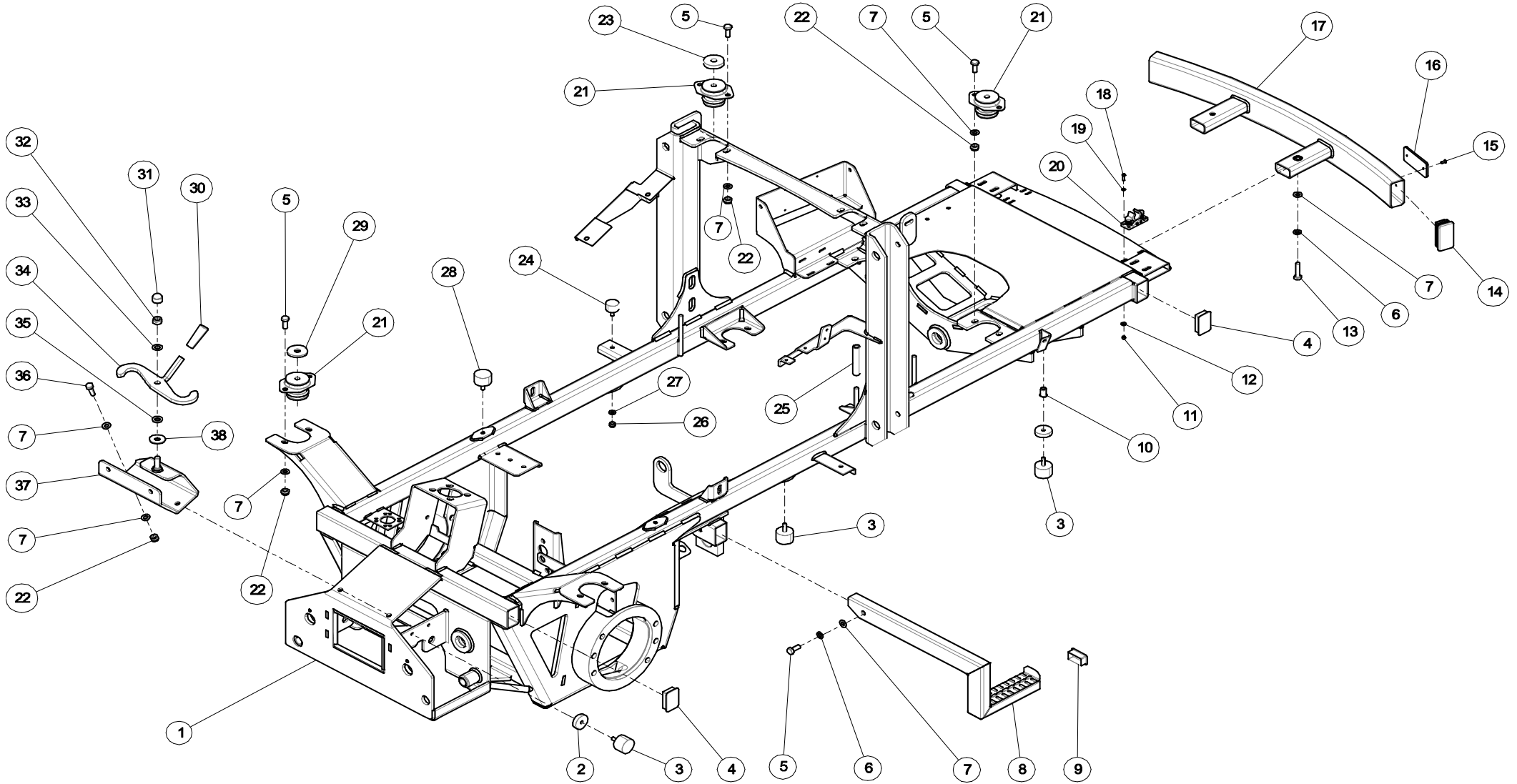
FRAME | RAHMEN | BATI | FRAME

EVM021508

F3/R3

KEY	PART NO.	QTY	SERIAL NO.	DESCRIPTION	BESCHREIBUNG	DESIGNATION	OMSCHRIJVING	REMARKS
1	EVA000115	1		FRAME	RAHMEN	BATI	FRAME	
2	RBC044006	4		SPACER	DISTANZSCHEIBE	ENTRETOISE	AFSTANDSRING	
3	RBC029826	6		BUFFER,TYPE D	PUFFER,TYP D	AMORTISSEUR DE VIBRATIONS	TRILLINGDEMPER,TYPE D	D40XH28,M8X23
4	RBC014029	4		PROTECTING CAP	SCHUTZKAPPE	CAPUCHON	BESCHERMDOP	60X40MM
5	10.02.120	17		SCREW,HEX	SKT.SCHRAUBE	VIS A TETE,HEX	ZESK.TAPBOUT	DIN933,M10X25-8.8-ZN
6	12.01.010	3		WASHER,SPRING	FEDERRING	RONDELLE FREIN	VEERRING	DIN128,M10-ZN
7	12.11.010	23		WASHER	UNTERLEGSCHIEBE	RONDELLE	SLUITRING	DIN125A,M10-ZN
8	EVA000466	1		STEP	TRITTBLECH	MARCHE	OPSTAP	
9	RBC043710	1		PLUG	STOPFEN	BOUCHON	PLUG,KUNSTSTOF	50X30MM
10	EVU000018	2		BLIND RIVET NUT	BLINDNIETMUTTER	ECROU VIS NOYEEES	BLINDKLINKMOER	ALS3T-8125-3.8-7.9MM
11	11.05.004	8		LOCKNUT	SICHERUNGSMUTTER	CONTRE-ECROU	ZESK.BORGMOER	DIN985,M4-8-ZN
12	12.15.104	8		WASHER	UNTERLEGSCHIEBE	RONDELLE	SLUITRING	DIN9021-M4-ZN
13	10.02.123	2		SCREW,HEX	SKT.SCHRAUBE	VIS A TETE,HEX	ZESK.TAPBOUT	DIN933,M10X40-8.8-ZN
14	RBC1424	2		PLUG	STOPFEN	BOUCHON	DOP	80X40X4
15	10.54.021	4		SELF-TAPPING SCREW	SCHNEIDSCHRAUBE	VIS TARAUDEUSE	ZELFTAPPER,SCHROEF	DIN7516EEH,M4X12-ZN
16	RBC027884	2		REFLECTOR	REFLEKTOR	REFLECTEUR	REFLECTOR	
17	EVA000241	1		BUMPER,CPL	STOSSSTANGE,KPL	PARE-CHOC,CPL	BUMPER,KPL	
18	10.28.023	8		SCREW,SOC	ZYL.SCHRAUBE,ISK	VIS A TETE,CYL.SPC	CIL.BOUT,BZK	DIN912,M4X16-8.8-ZN
19	AC-02-01	8		WASHER	UNTERLEGSCHIEBE	RONDELLE	SLUITRING	DIN125A-M4-ZN
20	RBC045629	2		HINGE	SCHARNIER	CHARNIERE	BEVESTIGINGSSCHARNIER	
21	RBC12296	8		VIBRATION DAMPER	SCHWINGUNGSDAEMPFER	AMORTISSEUR DE VIBRATIONS	TRILLINGDEMPER	K56HNK-70SHORE, 12MM
22	11.05.010	18		LOCKNUT	SICHERUNGSMUTTER	SICHERUNGSMUTTER	ZESK.BORGMOER	DIN985,M10-8-ZN
23	EVU001087	2		SPACER	DISTANZSCHEIBE	ENTRETOISE	AFSTANDSRING	17X48X10MM
24	RBC032339	2		BUFFER,TYPE D	PUFFER,TYP D	AMORTISSEUR DE VIBRATIONS	TRILLINGDEMPER,TYPE D	D30XH20,M8X20-60SHORE
25	RBC703354	3		COOLANT HOSE	KUEHLWASSERSCHLAUCH	DURITE INFERIEURE	KOELWATERSLANG	L=85MM

FRAME | RAHMEN | BATI | FRAME
EVM021508
F3/R3



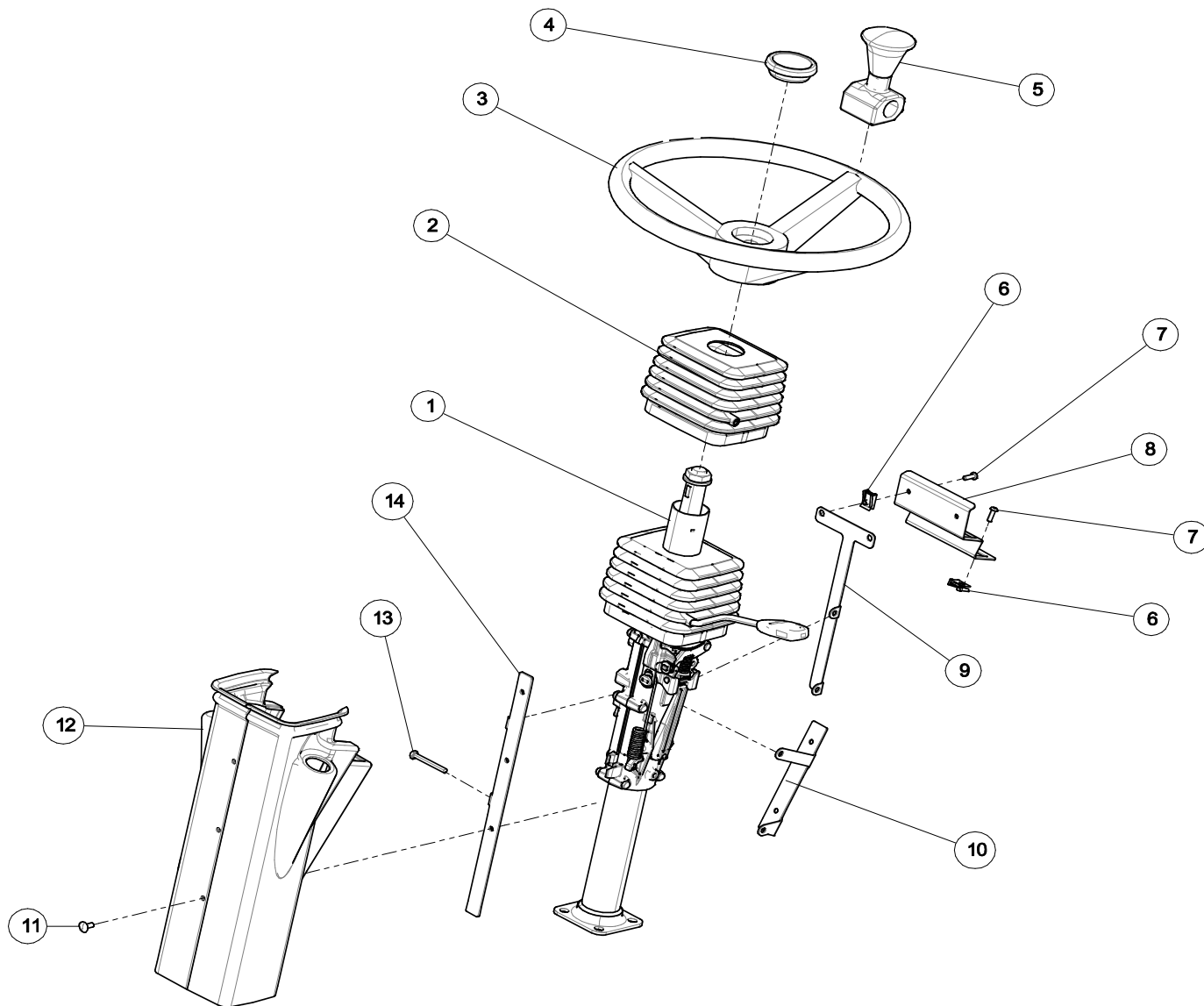
FRAME | RAHMEN | BATI | FRAME
EVM021508
F3/R3

KEY	PART NO.	QTY	SERIAL NO.	DESCRIPTION	BESCHREIBUNG	DESIGNATION	OMSCHRIJVING	REMARKS
26	11.05.008	2		LOCKNUT	SICHERUNGSMUTTER	CONTRE-ECROU	ZESK.BORGMOER	DIN985,M8-8-ZN
27	12.11.008	2		WASHER	UNTERLEGSCHIEBE	RONDELLE	SLUITRING	DIN125A,M8-ZN
28	EVA000519	2		BUFFER,TYPE D	PUFFER,TYP D	AMORTISSEUR DE VIBRATIONS	TRILLINGDEMPEER,TYPE D	D40XH25,M8X23-55SHORE
29	EVU001086	2		SPACER	DISTANZSCHIEBE		AFSTANDSRING	17X48X5MM
30	RBC200806	1		GRIP	GRIFF	POIGNEE	HANDVAT	
31	EVU001004	1		PROTECTION CAP	SCHUTZKAPPE	COIFFE DE PROTECTION	BESCHERMKAP	M12
32	11.05.012	1		LOCKNUT	SICHERUNGSMUTTER	CONTRE-ECROU	ZESK.BORGMOER	DIN985,M12-8-ZN
33	12.19.012	1		WASHER,SPRING	FEDERRING	RONDELLE FREIN	VEERRING	DIN137-M12-ZN
34	EVU000939	1		LATCH	SPERRHAKEN	CROCHET DE BLOCAGE	VERGRENDELINGSHAAK	FRONT LIFT ARM
35	12.11.012	1		WASHER	UNTERLEGSCHIEBE	RONDELLE	SLUITRING	DIN125A,M12-ZN
36	10.02.121	2		SCREW,HEX	SKT.SCHRAUBE	VIS A TETE,HEX	ZESK.TAPBOUT	DIN933,M10X30-8.8-ZN
37	EVA000461	1		ROLLER SUPPORT	ROLLENHALTER	SUPPORT ROULEAU	ROLLENHOUDER	
38	12.15.112	1		WASHER	UNTERLEGSCHIEBE	RONDELLE	SLUITRING	DIN9021-M12-ZN

STEERING COLOMN | LENKSAULE | COLONNE DE DIRECTION | STUURKOLOM

EVM021509

F3/R3



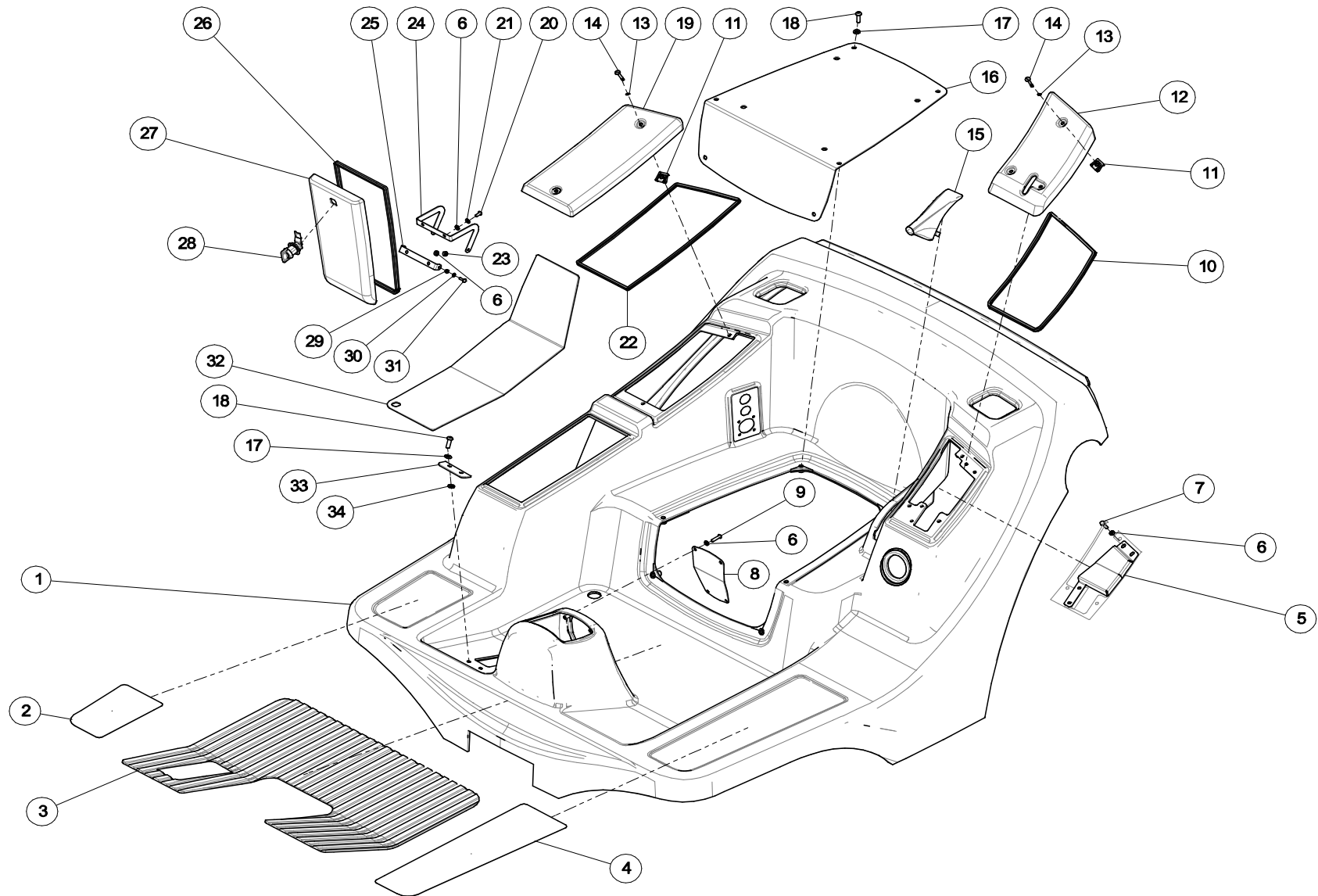
STEERING COLOMN | LENKSAULE | COLONNE DE DIRECTION | STUURKOLOM
EVM021509
F3/R3

KEY	PART NO.	QTY	SERIAL NO.	DESCRIPTION	BESCHREIBUNG	DESIGNATION	OMSCHRIJVING	REMARKS
1	RBU210335	1		STEERING COLUMN	LENKSAULE	COLONNE DE DIRECTION	STUURKOLOM	
2	RBU212175	1		BOOT RUBBER	BALGEN GUMMI	SOUFFLET CAOUTCHOUC	BALG RUBBER	
3	RBA211169	1		STEERING WHEEL	LENKRAD	VOLANT DE DIRECTION	STUURWIEL	
4	EVU000936	1		CAP	KAPPE	CAPUCHON	DOP	
5	RBA211170	1		KNOB	KNOPF	BOUTON	STUURKNOP	
6	EVU000549	4		SPEED NUT	FLACHMUTTER	ECROU RAPIDE	PLAATMOER	M5
7	10.59.040	4		SCREW,SOC	SCHRAUBE,ISK	VIS A TETE.SPC	BOUT,BZK	ISO7380,M5X16-8.8-ZN
8	EVU000545	1		INSTRUMENT PANEL	INSTRUMENTENBRETT M3	PANNEAU INSTRUMENTS M3	INSTRUMENTENPANEEL M3	
9	EVU000546	1		BRACKET	HALTER	SUPPORT	HOUDER	STEERING COLUMN
10	EVU001711	1		BRACKET	HALTER	SUPPORT	HOUDER	
11	RBU210861	5		PUSH PLUG	TREIBSTIFT	ATTACHE A PRESSION	DRUKNAGEL	
12	EVA000334	1		COVER	VERKLEIDUNG	GARNITURE	BEKLEDING	STEERING COLUMN
13	10.04.070	4		SCREW,HEX	SKT.SCHRAUBE	VIS A TETE,HEX	ZESK.BOUT	DIN931,M6X50-8.8-ZN
14	EVU000923	1		BRACKET REAR	HALTER HINTEN	SUPPORT ARRIERE	HOUDER ACHTER	STEERING COLUMN

BODY | KAROSSERIE | CARROSSERIE | CARROSSERIE

EVM021510

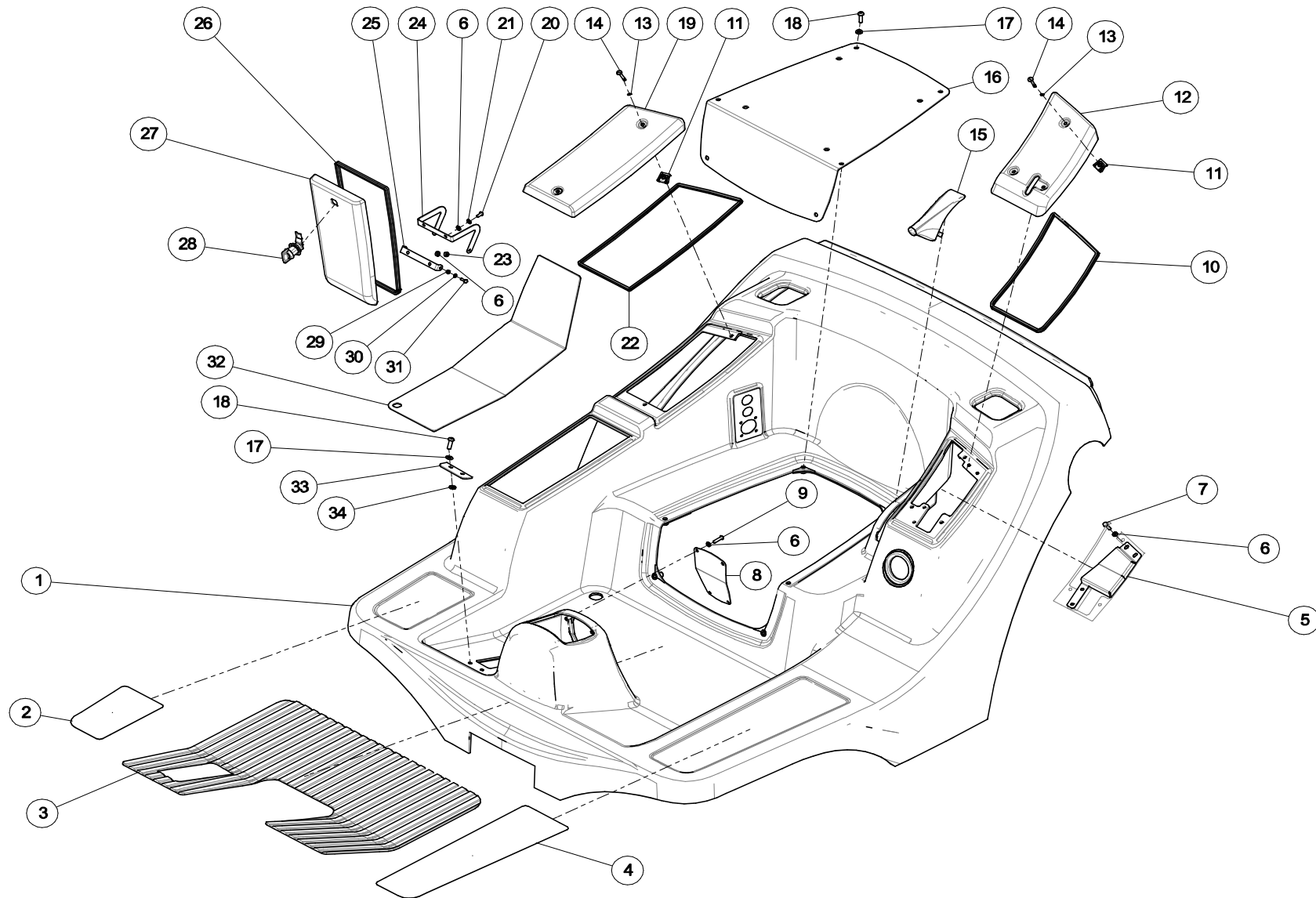
F3/R3



BODY | KAROSSERIE | CARROSSERIE | CARROSSERIE
EVM021510
F3/R3

KEY	PART NO.	QTY	SERIAL NO.	DESCRIPTION	BESCHREIBUNG	DESIGNATION	OMSCHRIJVING	REMARKS
1	EVA000146	1		PLATFORM,CPL.	PLATFORM KPL.	PLATE-FORM CPL.	VOETKUIP KPL.	ROPS
1	EVA001192	1		PLATFORM CPL.	PLATFORM KPL.	PLATE-FORM CPL.	VOETKUIP KPL.	CABIN
2	EVU000259	1		NON SKID MAT	ANTIRUTSCHBELAG	TAPIS ANTIDERAPANT	ANTI-SLIPMAT	RIGHT
3	EVU000379	1		MAT,RUBBER	GUMMIMATTE	TAPIS DE SOL	RUBBERMAT	PLATFORM
4	EVU000258	1		NON SKID MAT	ANTIRUTSCHBELAG	TAPIS ANTIDERAPANT	ANTI-SLIPMAT	LEFT
5	EVU000998	1		REINFORCEMENT	VERSTAERKUNGSPLATTE	RENFORCEMENT	VERSTEVIJING	COVER
6	12.11.006	12		WASHER	UNTERLEGSCHIEBE	RONDELLE	SLUITRING	DIN125A,M6-ZN
7	10.02.065	4		SCREW,HEX	SKT.SCHRAUBE	VIS A TETE,HEX	ZESK.TAPBOUT	DIN933,M6X25-8.8-ZN
8	evu000218	1		PLATE	PLATTE	PLAQUE	PLAAT	TOOLBOX LOCK
9	10.59.065	4		SCREW,SOC	SCHRAUBE,ISK	VIS A TETE.SPC	BOUT,BZK	ISO7380,M6X25-8.8-ZN
10	EVA000342	1		RIM PROTECTION	KANTENSCHUTZ	PROFILE DE PROTECTION	KANTPROFIEL	L=885MM
11	EVU000570	5		CLIP ON	AUFSTECKGEGENSTUCK	AGRAFE	SCHUIFCLIP	RECEPTACLE
12	EVU000201	1		COVER	ABDECKUNG	COUVERCLE	AFDEKKING	LEFT
13	EVU000572	5		RETAINER PUSH ON	SICHERUNGSRING	RONDELLE DE RETENUE	BORGRING	PLASTIC
14	EVU000571	5		STUD SLOT RECESS	ZAPFEN LINSENKOPF SCHLITZ	GOUJON FENDUE	STIFT ZAAGSNEDE	30MM
15	EVA000491	1		HAND BRAKE COVER	HANDBREMSHULLE	HOUSSE FREIN A MAIN	HANDREMHOES	
16	EVU000202	1		PLATE SEAT	PLATTE SITZPEDAL	PLAQUE SIEGE	PLAAT STOEL	
17	12.11.008	10		WASHER	UNTERLEGSCHIEBE	RONDELLE	SLUITRING	DIN125A,M8-ZN
18	10.59.591	10		SCREW,SOC	SCHRAUBE,ISK	VIS A TETE.SPC	BOUT,BZK	ISO7380,M8X25-10.9-ZN
19	EVU000205	1		COVER	DECKEL	COUVERCLE	DEKSEL	ELECTRONICS
20	10.59.059	2		SCREW,SOC	SCHRAUBE,ISK	VIS A TETE.SPC	BOUT,BZK	ISO7380,M6X12-8.8-ZN
21	12.01.006	2		WASHER,SPRING	FEDERING	RONDELLE FREIN	VEERRING	L=1000MM
22	EVA000342	1		RIM PROTECTION	KANTENSCHUTZ	PROFILE DE PROTECTION	KANTPROFIEL	
23	11.05.006	2		LOCKNUT	SICHERUNGSMUTTER	CONTRE-ECROU	ZESK.BORGMOER	DIN985,M6-8-ZN
24	EVU000560	1		HINGE	SCHARNIER	CHARNIERE	SCHARNIER	TOOLBOX COVER

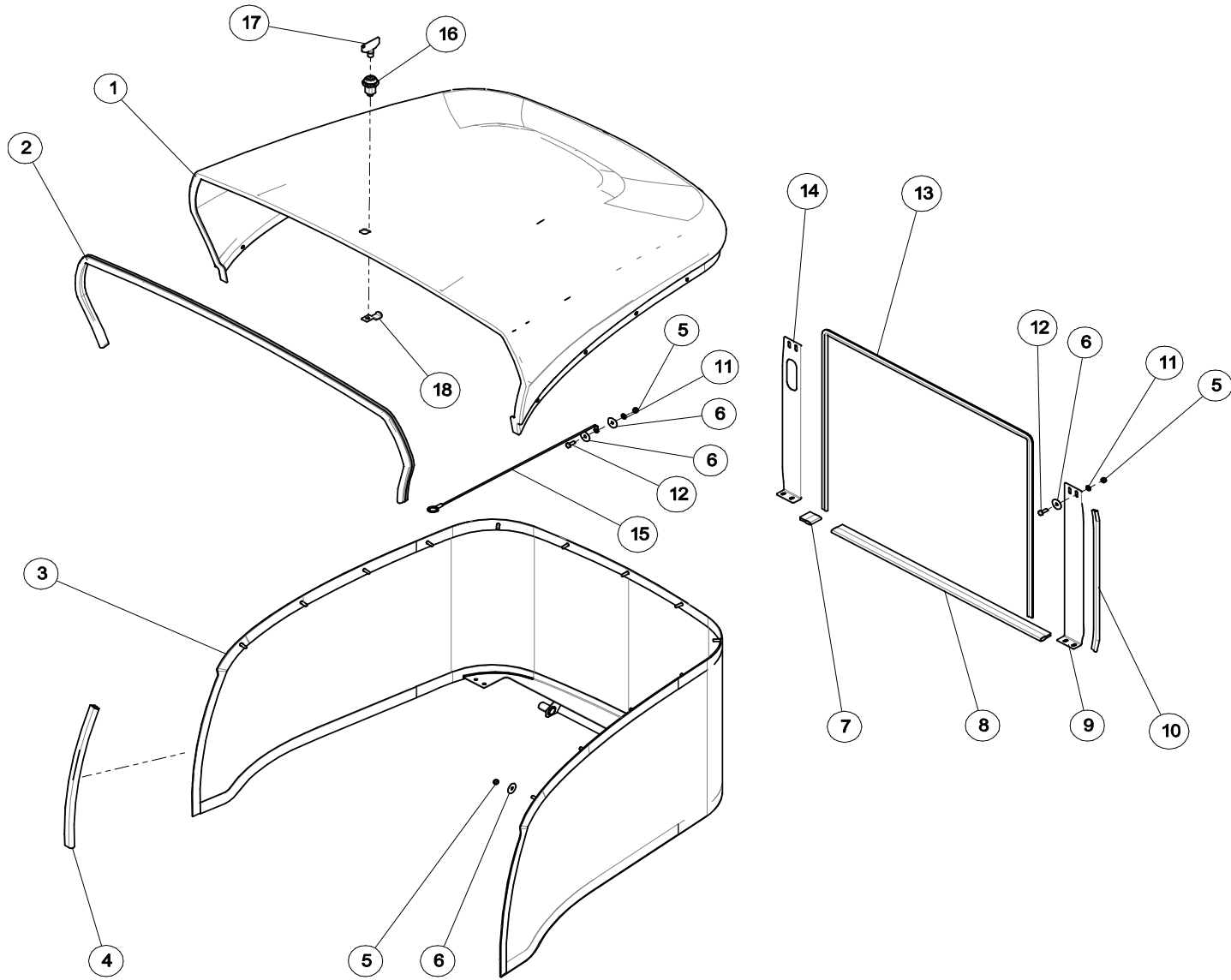
BODY | KAROSSERIE | CARROSSERIE | CARROSSERIE
EVM021510
F3/R3



BODY | KAROSSERIE | CARROSSERIE | CARROSSERIE
EVM021510
F3/R3

KEY	PART NO.	QTY	SERIAL NO.	DESCRIPTION	BESCHREIBUNG	DESIGNATION	OMSCHRIJVING	REMARKS
25	EVU000561	1		HINGE	SCHARNIER	CHARNIERE	SCHARNIER	L = 1037MM
26	EVA000342	1		RIM PROTECTION	KANTENSCHUTZ	PROFILE DE PROTECTION	KANTPROFIEL	
27	EVU000204	1		COVER	DECKEL	COUVERCLE	DEKSEL	TOOL BOX
28	EVA000336	1		LOCK	SCHLOSS	VERROU	SLOT	TOOLBOX
29	11.05.005	2		LOCKNUT	SICHERUNGSMUTTER	CONTRE-ECROU	ZESK.BORGMOER	DIN985,M5-6-ZN
30	12.11.005	2		WASHER	UNTERLEGSSCHEIBE	RONDELLE	SLUITRING	DIN125A,M5-ZN
31	10.02.038	2		SCREW,HEX	SKT.SCHRAUBE	VIS A TETE,HEX	ZESK.TAPBOUT	DIN933,M5X12-8.8-ZN
32	EVU000984	1		MAT,RUBBER	GUMMIMATTE	TAPIS DE SOL	RUBBERMAT	TOOLBOX
33	EVU001006	2		LOCKING PLATE	SICHERUNGSBLECH	TOLE DE SECURITE	BORGPLAAT	
34	12.01.008	4		WASHER,SPRING	FEDERING	RONDELLE FREIN	VEERING	DIN128,M8-ZN

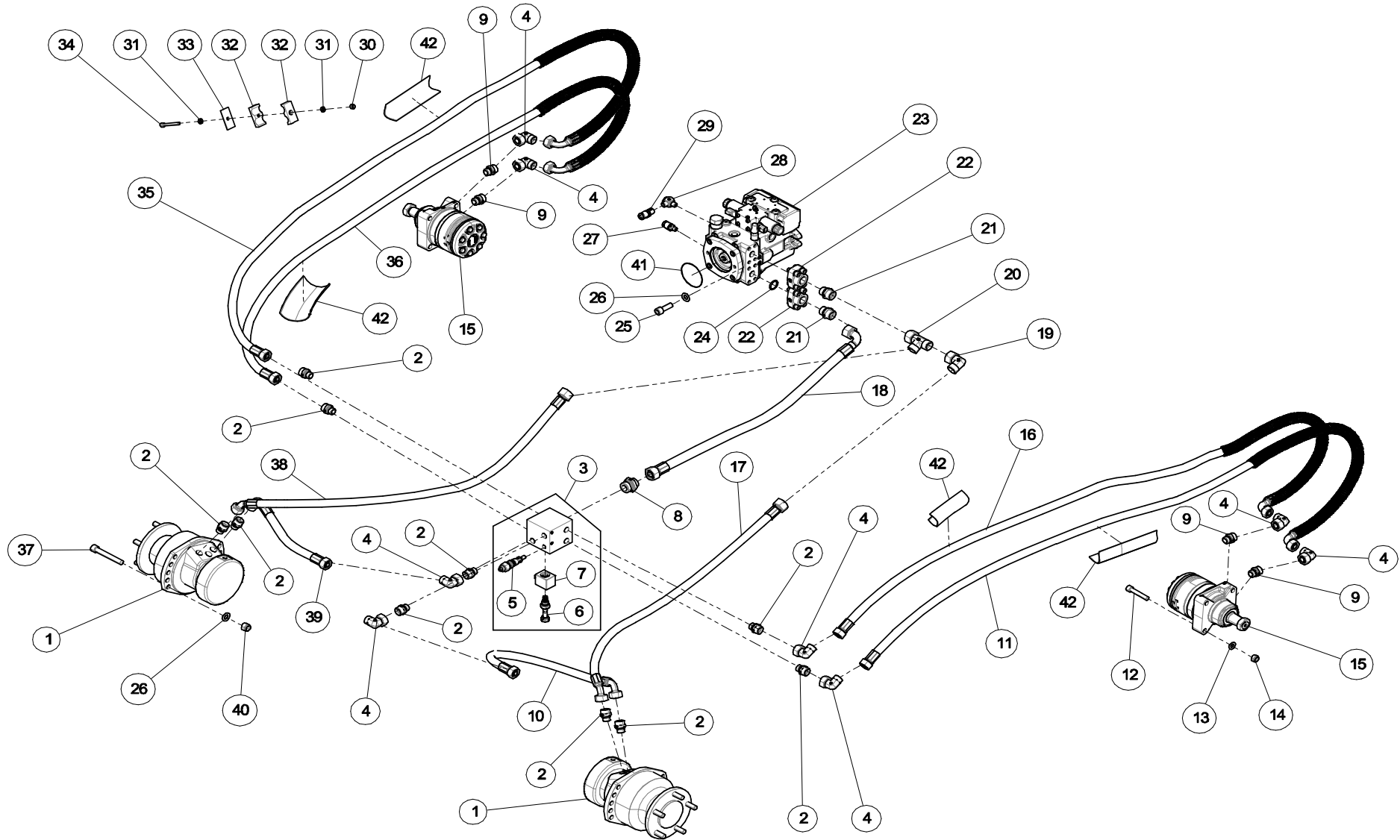
BODY | KAROSSERIE | CARROSSERIE | CARROSSERIE
EVM021510
F3/R3



BODY | KAROSSERIE | CARROSSERIE | CARROSSERIE
EVM021510
F3/R3

KEY	PART NO.	QTY	SERIAL NO.	DESCRIPTION	BESCHREIBUNG	DESIGNATION	OMSCHRIJVING	REMARKS
1	EVA000242	1		HOOD	MOTORHAUBE	CAPOT MOTEUR	MOTORKAP	
2	RBC204524	1		SEALING TRIM	KEDER	BANDE DE GARNISSAGE	KANTPROFIEL	L=1450MM
3	EVA000149	1		GRILLE,CPL.	GITTER M3,KPL.	GRILLE M3,CPL.	MOTORKAPGAAS M3,KPL.	
4	RBC204524	2		SEALING TRIM	KEDER	BANDE DE GARNISSAGE	KANTPROFIEL	L=380MM
5	11.05.006	21		LOCKNUT	SICHERUNGSMUTTER	CONTRE-ECROU	ZESK.BORGMOER	DIN985,M6-8-ZN
6	12.15.106	21		WASHER	UNTERLEGSCHIEBE	RONDELLE	SLUITRING	DIN9021-M6-ZN
7	RBU210891	1		SEALING TRIM	KEDER	BANDE DE GARNISSAGE	KANTPROFIEL	L=30MM
8	RBU210891	1		SEALING TRIM	KEDER	BANDE DE GARNISSAGE	KANTPROFIEL	L=620MM
9	EVU000562	1		COVER PLATE LEFT	ABDECKPLATTE LINKS	PLAQUE GAUCHE	AFDEKPLAAT LINKS	COOLER
10	EVA000342	2		RIM PROTECTION	KANTENSCHUTZ	PROFILE DE PROTECTION	KANTPROFIEL	L=455MM
11	12.11.006	8		WASHER	UNTERLEGSCHIEBE	RONDELLE	SLUITRING	DIN125A,M6-ZN
12	10.02.061	9		SCREW,HEX	SKT.SCHRAUBE	VIS A TETE,HEX	ZESK.TAPBOUT	DIN933,M6X16-8.8-ZN
13	EVA000342	1		RIM PROTECTION	KANTENSCHUTZ	PROFILE DE PROTECTION	KANTPROFIEL	L=1620MM
14	EVU000563	1		COVER PLATE RIGHT	ABDECKPLATTE RECHTS	PLAQUE DROITE	AFDEKPLAAT RECHTS	COOLER
15	EVA000518	1		GUY ROPE	HALTESEIL	FIL DE MAINTIEN	STAALKABEL	
16	RBC205082	1		LOCK	SCHLOSS	SERRURE	SLOT	
17	RBC048690	1		KEY	SCHLUSSEL	CLE	SLEUTEL	HOOD
18	RBU210430	1		LATCH	VERRIEGELUNG	VERROUILLAGE	VERGRENDELING	HOOD

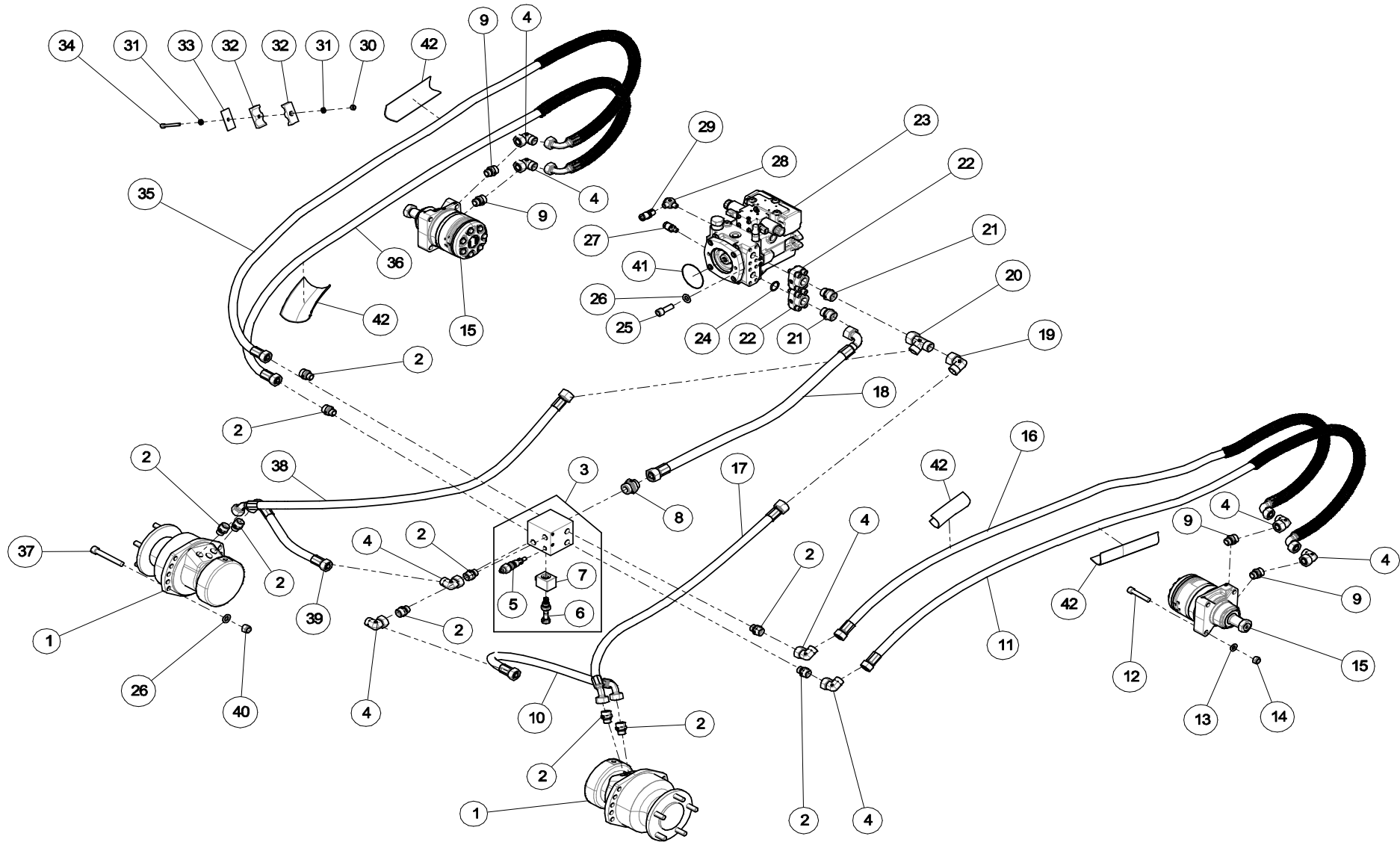
DRIVING HYDRAULICS | FAHRHYDRAULIK | CONDUITE HYDRAULIQUE | RIJHYDRAULIEK
EVM021511
F3/R3



DRIVING HYDRAULICS | FAHRHYDRAULIK | CONDUITE HYDRAULIQUE | RIJHYDRAULIEK
EVM021511
F3/R3

KEY	PART NO.	QTY	SERIAL NO.	DESCRIPTION	BESCHREIBUNG	DESIGNATION	OMSCHRIJVING	REMARKS
1	EVA000101	2		WHEEL MOTOR	RADMOTOR	MOTEUR DE ROUE AVANT	WIELMOTOR	
1.1	RBA25791	1		SEAL KIT	DICHTUNGSSATZ	JEU DE JOINTS ANNULAIRES	AFDICHTSET	
1.2	RBA25792	1		BRAKE	BREMSE	FREIN	REM	CPL.
1.3	RBA25793	1		REPAIR KIT	WARTUNGSSATZ	JEU ENTRETIEN	REPARATIESET	
1.4	RBA25701	1		SEAL KIT	DICHTUNGSSATZ	JEU DE JOINTS	AFDICHTSET	WITH COVER
1.5	RBC205068	1		WHEEL FLANGE BOLT	RADFLANGBOLZEN	BOULON DE FLANGE DE ROUE	WIELFLENSBOUTEN	KIT
1.6	RBC030983	12		WHEEL NUT	KUGELBUNDMUTTER	ECROU DE ROUE	KOGELMOER	DIN74361,M14X1.5
1.7	EVA001019	1		REPAIR KIT	WARTUNGSSATZ	JEU ENTRETIEN	REPARATIESET	
2	RBC203670	10		FITTING	FITTING	RACCORD	NIPPEL	GE18LREDOMD CF
3	EVA001016	1	**X0007 -	TRACTION BLOCK	ZUGBLOCK	BLOC TRACTION	TRACTIEBLOK	CPL.
3	EVA000103	1	-**X0006	TRACTION BLOCK	ZUGBLOCK	BLOC TRACTION	TRACTIEBLOK	CPL.
3.1	EVU000569	2		SCREW PLUG	VERSCHLUSSSCHRAUBE	BOUCHON FILETE	AFSLUITSCHROEF	
4	RBC203655	9		FITTING	FITTING	RACCORD	NIPPEL	EW18LOMD CF
5	EVA000345	1		PRESSURE RELIEF VALVE	UBERDRUCKVENTIL	SOUPAPE COULISSEMENT	OVERDRUKVENTIEL	
5.1	EVA000346	1		SEAL KIT	ABDICHTUNGSSATZ	KIT DE JOINTS	PAKKINGSET	
6	EVA001018	2	**X0007 -	CARTRIDGE	VENTILPATRONE	CARTOUCHE	VENTIELPATROON	
6.1	EVA000347	1	**X0007 -	SEAL KIT	ABDICHTUNGSSATZ	KIT DE JOINTS	PAKKINGSET	
6	EVA000344	2	-**X0006	CARTRIDGE	VENTILPATRONE	CARTOUCHE	VENTIELPATROON	
6.1	EVA000347	1	-**X0006	SEAL KIT	ABDICHTUNGSSATZ	KIT DE JOINTS	PAKKINGSET	
7	EVA001017	2	**X0007 -	SOLENOID	MAGNEETVENTIL	SOLENOIDE	MAGNEETSPOEL	12V AMP
7	EVA000343	2	-**X0006	SOLENOID	MAGNEETVENTIL	SOLENOIDE	MAGNEETSPOEL	12V AMP
8	RBC203674	4		FITTING	FITTING	RACCORD	NIPPEL	GE22LR1EDOMD CF
9	RBC045333	4		FITTING	FITTING	RACCORD	NIPPEL	GE18L7/8UNFEDOMD CF
10	EVA000159	1		HOSE LINE	SCHLAUCHLEITUNG	TUYAU	HYDROSLANG	
11	EVA000161	1		HOSE LINE	SCHLAUCHLEITUNG	TUYAU	HYDROSLANG	

DRIVING HYDRAULICS | FAHRHYDRAULIK | CONDUITE HYDRAULIQUE | RIJHYDRAULIEK
EVM021511
F3/R3



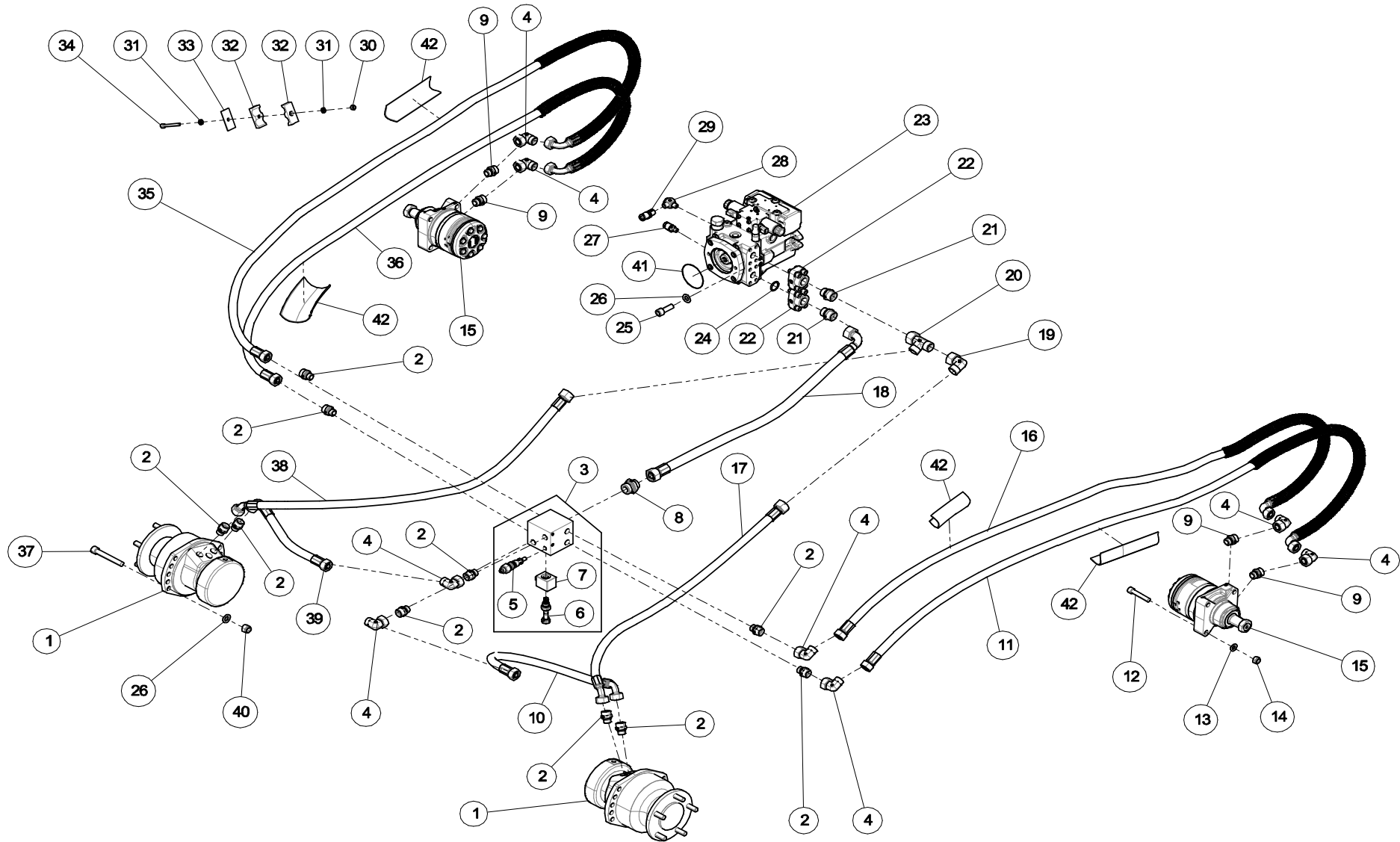
DRIVING HYDRAULICS | FAHRHYDRAULIK | CONDUITE HYDRAULIQUE | RIJHYDRAULIEK

EVM021511

F3/R3

KEY	PART NO.	QTY	SERIAL NO.	DESCRIPTION	BESCHREIBUNG	DESIGNATION	OMSCHRIJVING	REMARKS
12	10.28.159	8		SCREW,SOC	ZYL.SCHRAUBE,ISK	VIS A TETE,CYL.SPC	CIL.BOUT,BZK	DIN912,M12X65-8.8-ZN
13	12.11.012	8		WASHER	UNTERLEGSCHIEBE	RONDELLE	SLUITRING	DIN125A,M12-ZN
14	11.05.012	8		LOCKNUT	SICHERUNGSMUTTER	CONTRE-ECROU	ZESK.BORGMOER	DIN985,M12-8-ZN
15	EVA000417	2		WHEEL MOTOR,BACK	RADMOTOR,HINTEN	MOTEUR EN ROUE,ARRIERE	WIELMOTOR,ACHTER	TF TORQ
15.1	EVA000424	1		SEAL KIT	DICHTUNGSSATZ	JEU DE JOINTS	AFDICHTSET	
15.2	RBC2119	1		NUT	MUTTER	ECROU	MOER	W/LOCKING PATCH
16	EVA000163	1		HOSE LINE	SCHLAUCHLEITUNG	TUYAU	HYDROSLANG	
17	EVA000157	1		HOSE LINE	SCHLAUCHLEITUNG	TUYAU	HYDROSLANG	
18	EVA000165	1		HOSE LINE	SCHLAUCHLEITUNG	TUYAU	HYDROSLANG	
19	RBC203647	1		FITTING	FITTING	RACCORD	NIPPEL	EW22LOMD CF
20	RBC205079	2		FITTING	FITTING	RACCORD	NIPPEL	EL22LOMD CF
21	EVU000930	2		FITTING	FITTING	RACCORD	NIPPEL	GE22LR3/4OMD CF
22	EVU000494	2		FLANGE	FLANSCH	BRIDE	FLENS	PFF63GCFM
23	EVA000094	1		DRIVE PUMP	FAHRPUMPE	POMPE ALLER	RIJPOMP	
23.1	EVA000541	1		SEAL KIT	ABDICHTSATZ,KPL.	KIT DE JOINTS,CPL.	PAKKINGSET	
23.2	RBC203883	1		PRESSURE RELIEF VALVE	DRUECKBEGRENZUNGSVENTIL	CLAPET DE REFOULEMENT	DRUKBEGRENZINGSVENTIE	
23.21	EVU001022	1		O-RING	O-RING	JOINT TORIQUE	O-RING	PRESSURE RELIEF VALVE
23.3	RBC203882	1		PRESSURE RELIEF VALVE	DRUECKBEGRENZUNGSVENTIL	CLAPET DE REFOULEMENT	DRUKBEGRENZINGSVENTIE	
23.31	EVU001023	1		O-RING	O-RING	JOINT TORIQUE	O-RING	
23.4	EVA000538	1		SOLENOID	MAGNEETVENTIL	SOLENOIDE	MAGNEETSPOEL	
23.5	RBU212015	1		SHAFT SEAL	WELLENDICHTRING	BAGUE D'ETANCHEITE	KEERRING	A10VG45DG
24	EVU000967	3		O-RING	O-RING	JOINT TORIQUE	O-RING	25X3,53 NBR
25	10.58.181	2		SCREW,SOC	ZYL.SCHRAUBE,ISK	VIS A TETE,CYL.SPC	CIL.BOUT,BZK	DIN912,M14X40-10.9-ZN
26	12.11.014	14		WASHER	UNTERLEGSCHIEBE	RONDELLE	SLUITRING	DIN125,14-200HV-ZN
27	EVA000507	1		MEASURING COUPLING	MESSANSCHLUSS	RACCORD PRISE DE PRESSION	MEETPUNTAANSLUITING	M12X1.5

DRIVING HYDRAULICS | FAHRHYDRAULIK | CONDUITE HYDRAULIQUE | RIJHYDRAULIEK
EVM021511
F3/R3



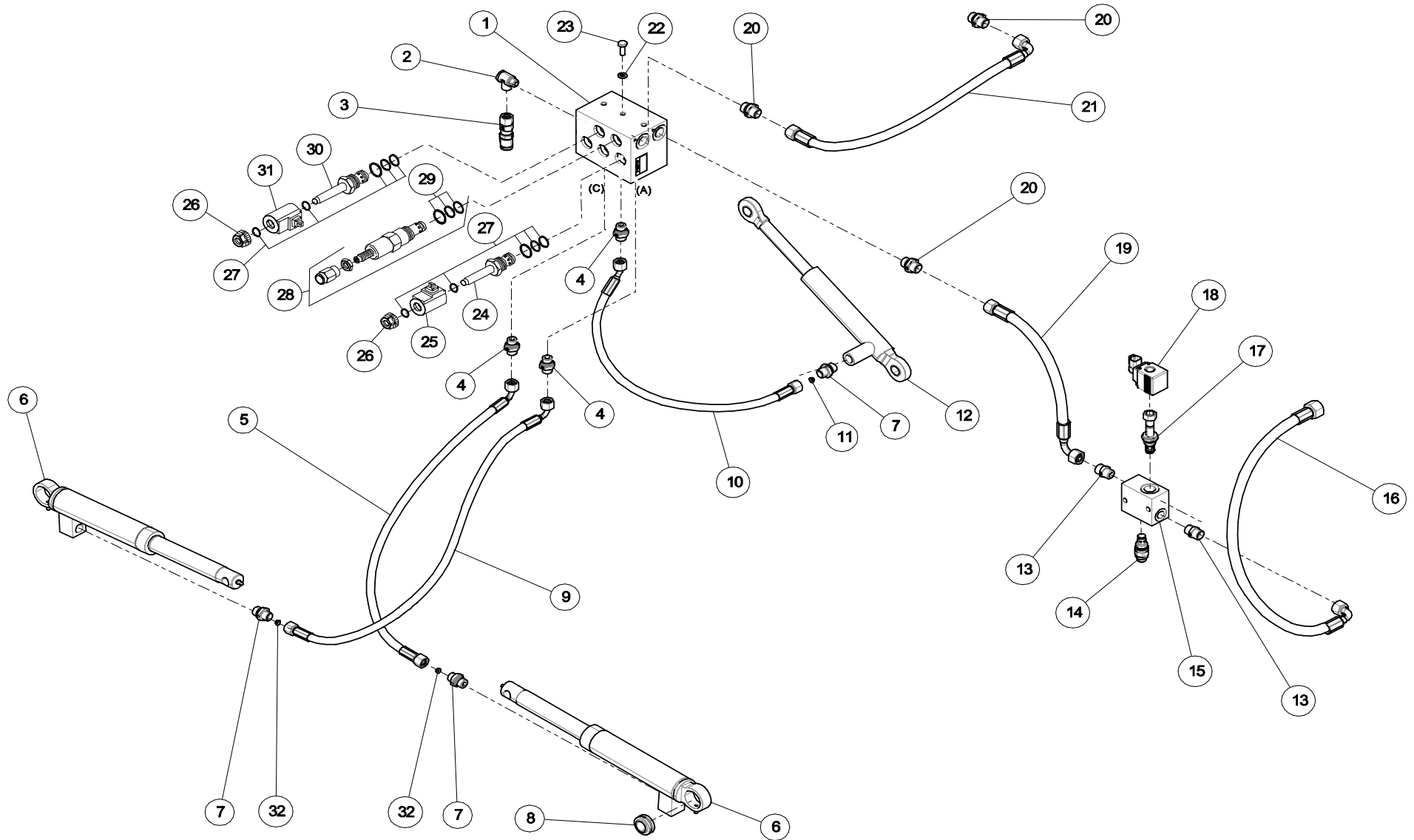
DRIVING HYDRAULICS | FAHRHYDRAULIK | CONDUITE HYDRAULIQUE | RIJHYDRAULIEK

EVM021511

F3/R3

KEY	PART NO.	QTY	SERIAL NO.	DESCRIPTION	BESCHREIBUNG	DESIGNATION	OMSCHRIJVING	REMARKS
28	RBC203180	1		FITTING	FITTING	RACCORD	NIPPEL	WH08LMKDSOMD CF
29	RBC204277	1		MEASURING COUPLING	MESSANSCHLUSS	RACCORD PRISE DE PRESSION	MEETPUNTAANSLUITING	VKA3/08L CF
30	11.05.008	2		LOCKNUT	SICHERUNGSMUTTER	CONTRE-ECROU	ZESK.BORGMOER	DIN985,M8-8-ZN
31	12.11.008	4		WASHER	UNTERLEGSCHIEBE	RONDELLE	SLUITRING	DIN125A,M8-ZN
32	RBC204292	4		CLAMP	KLEMME	BRIDE DE FIXATION	KLEM	RBP3-25X
33	RBC204666	2		COVER PLATE	DECKPLATTE	COUVERCLE	DEKPLAAT	DPB 3X
34	10.28.099	2		SCREW,SOC	ZYL.SCHRAUBE,ISK	VIS A TETE,CYL.SPC	CIL.BOUT,BZK	DIN912,M8X65-8.8-ZN
35	EVA000162	1		HOSE LINE	SCHLAUCHLEITUNG	TUYAU	HYDROSLANG	
36	EVA000164	1		HOSE LINE	SCHLAUCHLEITUNG	TUYAU	HYDROSLANG	
37	10.28.691	12		SCREW,SOC	ZYL.SCHRAUBE,ISK	VIS A TETE,CYL.SPC	CIL.BOUT,BZK	DIN912,M14X100-12.9
38	EVA000158	1		HOSE LINE	SCHLAUCHLEITUNG	TUYAU	HYDROSLANG	
39	EVA000160	1		HOSE LINE	SCHLAUCHLEITUNG	TUYAU	HYDROSLANG	
40	11.22.014	12		LOCKNUT	SICHERUNGSMUTTER	CONTRE-ECROU	ZESK.BORGMOER	DIN982,M14-10-ZN
41	EVU000755	1		O-RING	O-RING	JOINT TORIQUE	O-RING	
42	RBC045060	4		RUBBER FLAP	SCHUTZGUMMI	JOINT CAOUTCHOUC	RUBBER FLAP	

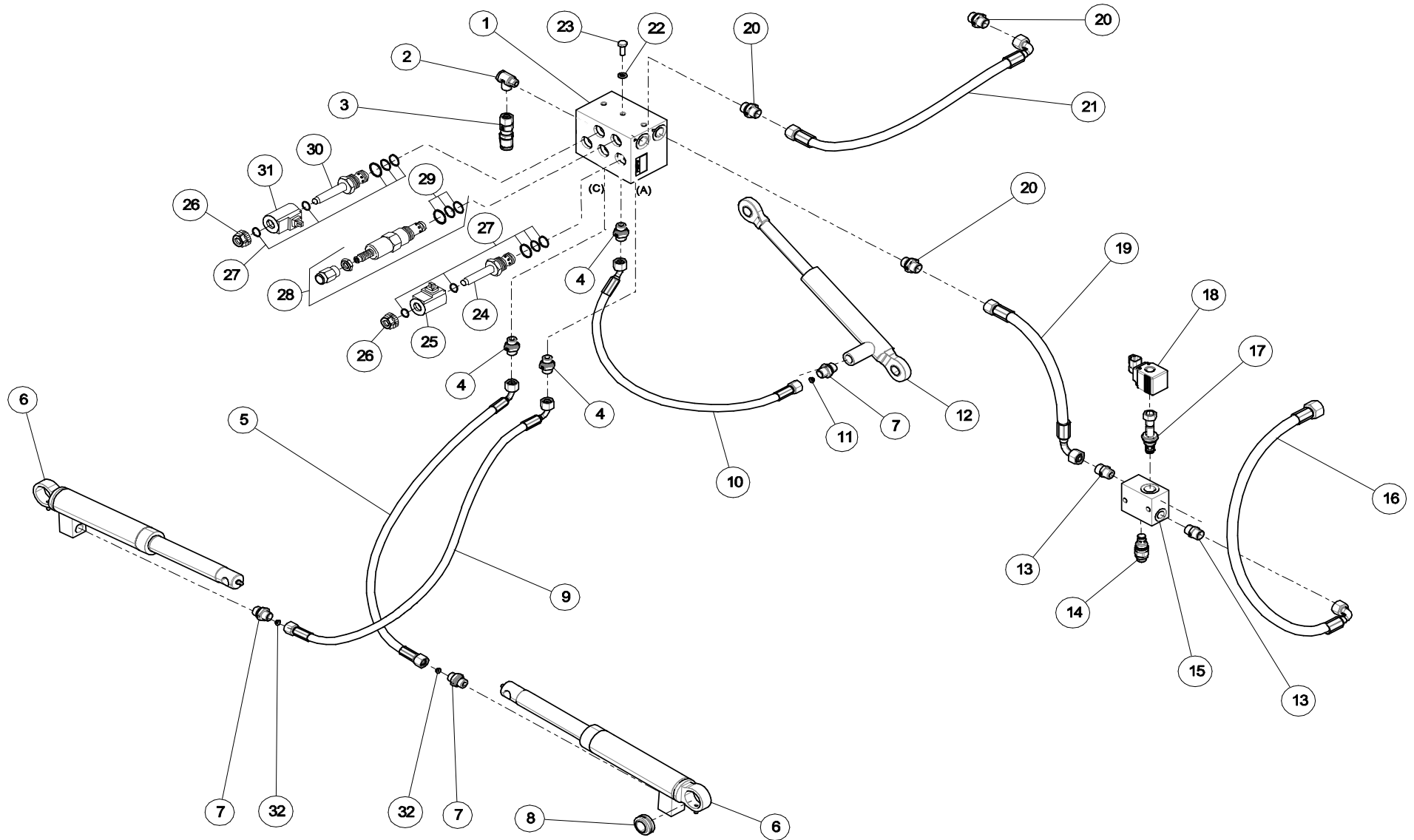
LIFTING HYDRAULICS | HUBHYDRAULIK | HYDRAULIQUE DE LEVAGE | HEFHYDRAULIEK
EVM021511
F3/R3



LIFTING HYDRAULICS | HUBHYDRAULIK | HYDRAULIQUE DE LEVAGE | HEFHYDRAULIEK
EVM021511
F3/R3

KEY	PART NO.	QTY	SERIAL NO.	DESCRIPTION	BESCHREIBUNG	DESIGNATION	OMSCHRIJVING	REMARKS
1	RBA211107	1		VALVE STACK LIFT	VENTILBLOCK HEBEN	DISTRIBUTEUR MULTIELEMENTS	VENTIELBLOK HEFFEN	
2	RBC045407	1		FITTING	FITTING	RACCORD	NIPPEL	SWVE10LM
3	RBC047788	1		MEASURING COUPLING	MESSANSCHLUSS	RACCORD PRISE PRESSION	MEETPUNTAANSLUITING	
4	RBC048513	3		FITTING	FITTING	RACCORD	NIPPEL	GE10LM16X1.5EDOMD CF
5	eva000175	1		HOSE LINE	SCHLAUCHLEITUNG	TUYAU	HYDROSLANG	
6	EVA000089	2		LIFT CYLINDER	HUBZYLINDER	CYLINDRE DE RELEVAGE	HEFCILINDER	
6.1	EVA000333	1		SEAL KIT	DICHTUNGSSATZ	JEU DE JOINTS ANNULAIRES	AFDICHTSET	
7	EWU000502	5		FITTING	VERSCHRAUBUNG	RACCORD	NIPPEL	GE10LR3/8EDOMD CF
8	RBC046744	2		BEARING	LAGER	ROULEMENT	LAGER	GE20ES
9	EVA000177	1		HOSE LINE	SCHLAUCHLEITUNG	TUYAU	HYDROSLANG	
10	EVA000176	1		HOSE LINE	SCHLAUCHLEITUNG	TUYAU	HYDROSLANG	
11	RBC044767	1		RESTRICTOR	BLENDE	RONDELLE D'ETRANGLEMENT	SMORING	0.6MM
12	EVA000121	1		LIFT CYLINDER	HUBZYLINDER	VERIN DE RELEVAGE	HEFCILINDER	CENTER
12.1	EVA000331	1		SEAL KIT	DICHTUNGSSATZ	JEU DE JOINTS ANNULAIRES	AFDICHTSET	
12.2	RBC043608	1		BEARING JOINT	GELENKLAGER	PALIER D'ARTICULATION	LAGER	
13	EVU000091	4		FITTING	FITTING	RACCORD	NIPPEL	GE12LREDOMD CF
14	EVA000349	1		PRESSURE RELIEF VALVE	UBERDRUCKVENTIL	SOUPAPE COULISSEMENT	OVERDRUKVENTIEL	GROUND PRESSURE
14.1	eva000350	1		SEAL KIT	ABDICHTUNGSSATZ	KIT DE JOINTS	PAKKINGSET	
15	EVA000203	1		GROUND PRESSURE VALVE	BODENDRUECKVENTIL	SOUPAPE PRESSION AU SOL	BODEMDRUKVENTIEL	
16	EVA000460	1		HOSE LINE	SCHLAUCHLEITUNG	TUYAU	HYDROSLANG	
17	EVA000351	1		CARTRIDGE	VENTILPATRONE	CARTOUCHE	VENTIELPATROON	GROUND PRESSURE VALVE
17.1	EVA000352	1		SEAL KIT	ABDICHTUNGSSATZ	KIT DE JOINTS	PAKKINGSET	
18	EVA000353	1		SOLENOID	MAGNEETVENTIL	SOLENOIDE	MAGNEETSPOEL	
19	EVA000459	1		HOSE LINE	SCHLAUCHLEITUNG	TUYAU	HYDROSLANG	
20	EVA000586	5		FITTING	FITTING	RACCORD	NIPPEL	GE12LM18X1,5EDOMD CF

LIFTING HYDRAULICS | HUBHYDRAULIK | HYDRAULIQUE DE LEVAGE | HEFHYDRAULIEK
EVM021511
F3/R3

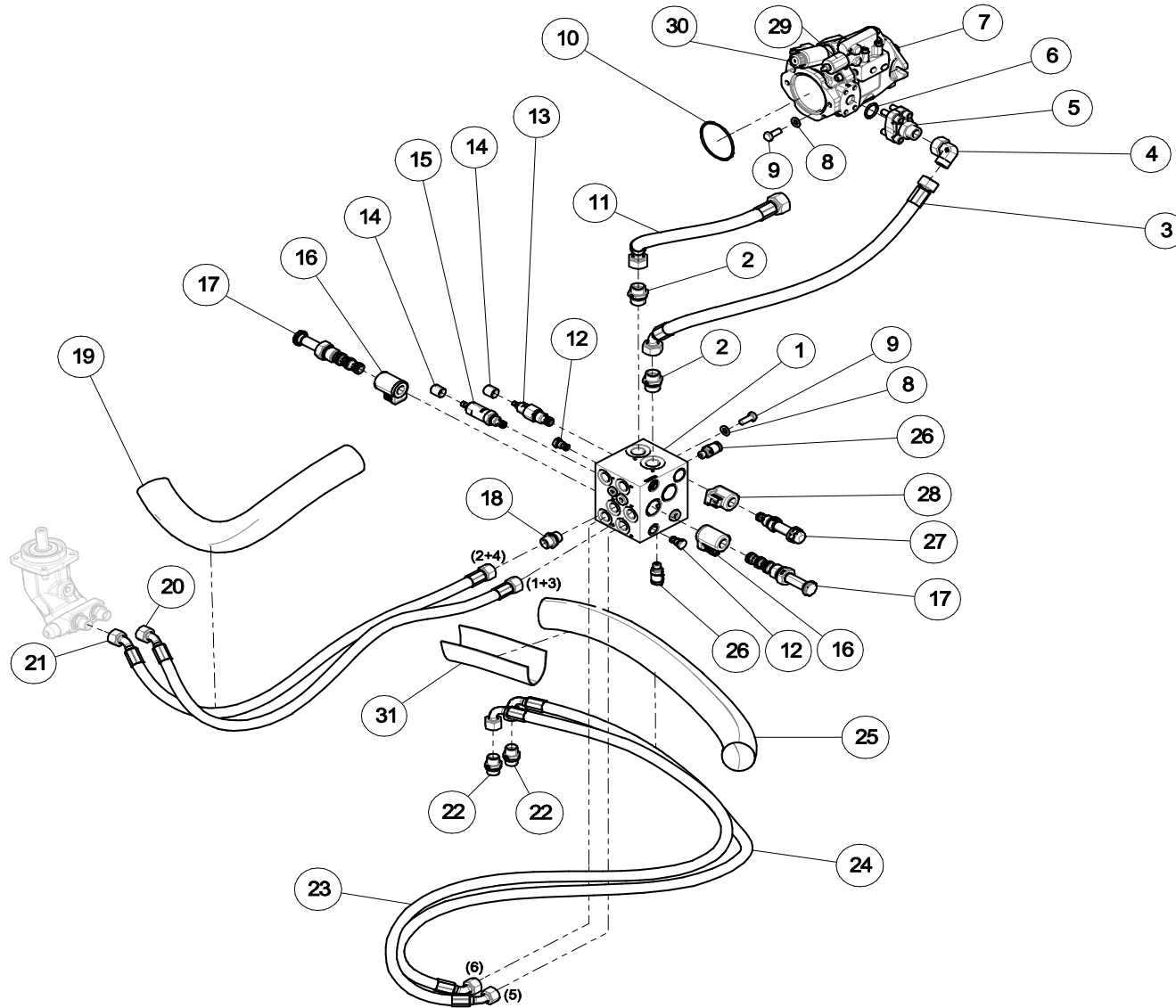


LIFTING HYDRAULICS | HUBHYDRAULIK | HYDRAULIQUE DE LEVAGE | HEFHYDRAULIEK
EVM021511
F3/R3

KEY	PART NO.	QTY	SERIAL NO.	DESCRIPTION	BESCHREIBUNG	DESIGNATION	OMSCHRIJVING	REMARKS
21	EVA000174	1		HOSE LINE	SCHLAUCHLEITUNG	TUYAU	HYDROSLANG	
22	12.01.008	3		WASHER,SPRING	FEDERRING	RONDELLE FREIN	VEERRING	DIN128,M8-ZN
23	10.02.089	3		SCREW,HEX	SKT.SCHRAUBE	VIS A TETE,HEX	ZESK.TAPBOUT	DIN933,M8X20-8.8-ZN
24	RBA211094	3		CARTRIDGE	VENTILPATRONE	CARTOUCHE	VENTIELPATROON	3/2 (18MM)
25	RBA211095	3		SOLENOID	MAGNEETVENTIL	SOLENOIDE	MAGNEETSPOEL	12V (18MM)
25.1	RBA211110	1		SEAL KIT	DICHTUNGSSATZ	JEU DE JOINT	AFDICHTSET	
26	RBU212104	2		NUT,SPECIAL	MUTTER,SPECIAL	ECROU,SPECIAL	KARTELMOER,SPECIAL	
27	RBA211109	2		SEAL KIT	DICHTUNGSSATZ	JEU DE JOINT	AFDICHTSET	
28	RBC046052	1		PRESSURE RELIEF VALVE	DRUECKBEGRENZUNGSVENTIL	CLAPET DE REFOULEMENT	DRUKBEGRENZINGSVENTIE	
29	RBC046053	1		SEAL KIT	DICHTUNGSSATZ	JEU DE JOINTS	AFDICHTSET	
30	RBA211113	1		CARTRIDGE	VENTILPATRONE	CARTOUCHE	VENTIELPATROON	2/2 (18MM)
31	RBA211114	1		SOLENOID	MAGNEETVENTIL	SOLENOIDE	MAGNEETSPOEL	12V 2/2 (18MM) AMP
31.1	RBA211115	1		SEAL KIT	DICHTUNGSSATZ	JEU DE JOINT	AFDICHTSET	
32	EVU001005	2		RESTRICTOR	BLENDE	RONDELLE D'ETRANGLEMENT	SMORING	0.7MM
	RBC046045	3		CHECK VALVE	RUCKSCHLAGVENTIL	CLAPET ANTI-RETOUR	TERUGSLAGVENTIEL	
	RBA211112	1		SEAL KIT	DICHTUNGSSATZ	JEU DE JOINT	AFDICHTSET	

EVM021511

F3/R3

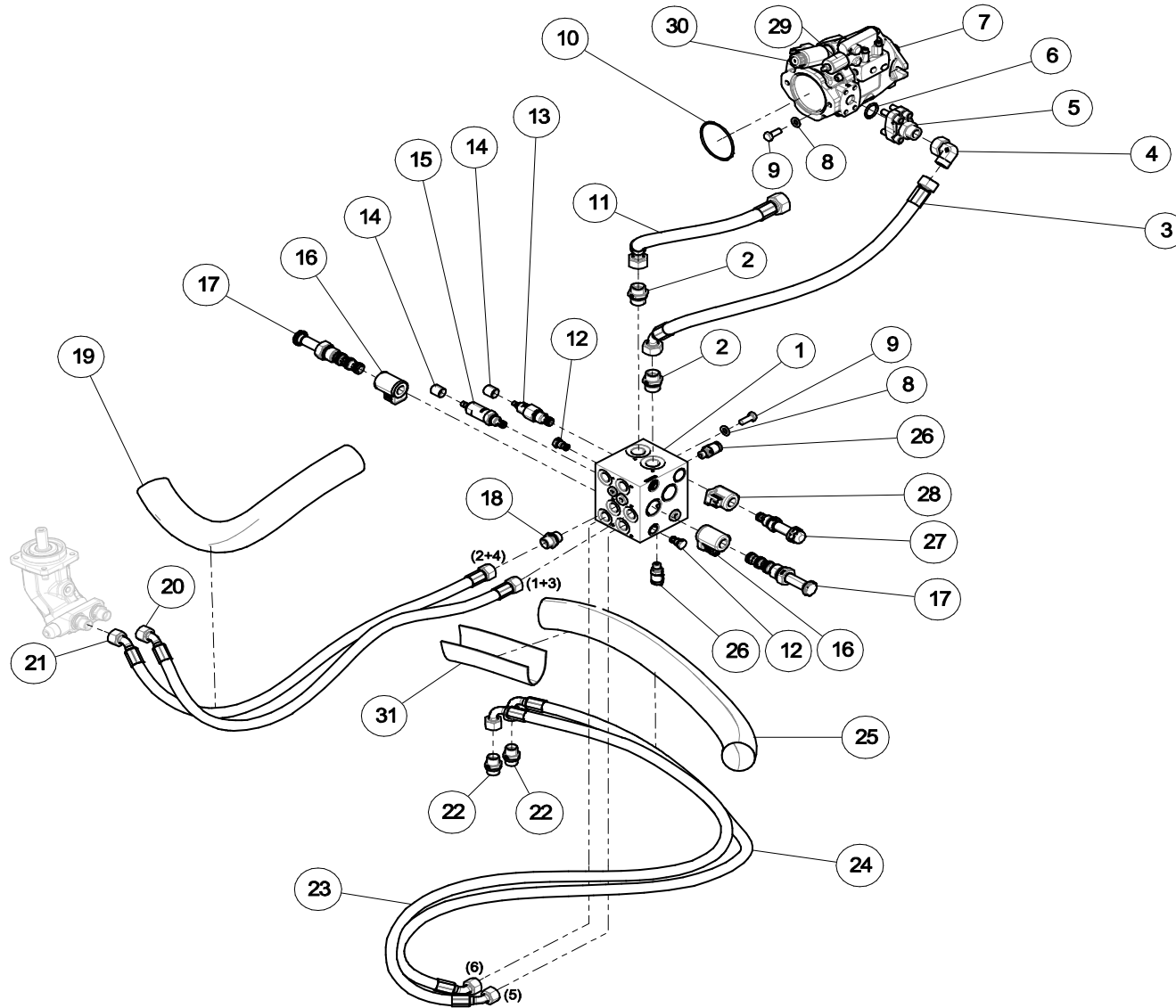


MOWING HYDRAULICS | MAEHYDRAULIK | HYDRAULIQUE DE FAUCHAGE | MAAHYDRAULIEK
EVM021511
F3/R3

KEY	PART NO.	QTY	SERIAL NO.	DESCRIPTION	BESCHREIBUNG	DESIGNATION	OMSCHRIJVING	REMARKS
1	EVA000127	1		MOWING BLOCK	MAEBLOK	BLOC A ENGRENAGE	MAAIBLOK	CPL.
2	RBC203669	2		FITTING	FITTING	RACCORD	NIPPEL	GE18LR3/4EDOMD CF
3	EVA000166	1		HOSE LINE	SCHLAUCHLEITUNG	TUYAU	HYDROSLANG	
4	RBC203655	9		FITTING	FITTING	RACCORD	NIPPEL	EW18LOMD CF
5	EVU000961	1		FLANGE ADAPTER	FLANSCHVERBINDUNG	ADAPTEUR	FLENSADAPTER	
6	EVU000967	1		O-RING	O-RING	JOINT TORIQUE	O-RING	25X3,53 NBR
7	EVA000102	1		MOWING PUMP	MAEHPUMPE	PUMPE A ENGRENAGE	MAAIPOMP	
7.1	EVA001179	1		SEAL KIT	ABDICHTSATZ	KIT DE JOINTS	PAKKINGSET	
8	12.11.010	2		WASHER	UNTERLEGSCHIEBE	RONDELLE	SLUITRING	DIN125A,M10-ZN
9	10.02.120	2		SCREW,HEX	SKT.SCHRAUBE	VIS A TETE,HEX	ZESK.TAPBOUT	DIN933,M10X25-8.8-ZN
10	EVU000714	1		O-RING	O-RING	JOINT TORIQUE	O-RING	85X3 V80 NBR
11	EVA000173	1		HOSE LINE	SCHLAUCHLEITUNG	TUYAU	HYDROSLANG	
12	EVA000523	3		CHECK VALVE	RUCKSCHLAGVENTIL	CLAPET ANTI-RETOUR	TERUGSLAGKLEP	
12.1	EVA000531	1		SEAL KIT	ABDICHTUNGSSATZ	KIT DE JOINTS	PAKKINGSET	
13	EVA000525	1		PRESSURE RELIEF VALVE	UBERDRUCKVENTIL	SOUPAPE COULISSEMENT	OVERDRUKVENTIEL	
13.1	EVA000533	1		SEAL KIT	ABDICHTUNGSSATZ	KIT DE JOINTS	PAKKINGSET	
14	EVU001079	3		CAP,YELLOW	KAPPE,GELB	CAPUCHON,JAUNE	DOP,GEEL	
15	EVA000524	2		PRESSURE RELIEF VALVE	UBERDRUCKVENTIL	SOUPAPE COULISSEMENT	OVERDRUKVENTIEL	
15.1	EVA000532	1		SEAL KIT	ABDICHTUNGSSATZ	KIT DE JOINTS	PAKKINGSET	
16	EVA000522	4		SOLENOID	MAGNEETVENTIL	SOLENOIDE	MAGNEETSPOEL	
17	EVA000521	4		CARTRIDGE	VENTILPATRONE	CARTOUCHE	VENTIELPATROON	4/2,MOWING BLOCK
17.1	EVA000530	1		SEAL KIT	ABDICHTUNGSSATZ	KIT DE JOINTS	PAKKINGSET	
17.2	EVU001715	1		NUT	MUTTER	ECROU	MOER	
18	EWU000422	6		FITTING	VERSCHRAUBUNG	RACCORD	NIPPEL	GE15LREDOMD CF
19	EVU000082	2		HOSE PROTECTION	SCHLAUCHSCHUTZ	BOYAU DE PROTECTION	BESCHERMHOES	MSHA RD60MM, L=800MM

EVM021511

F3/R3



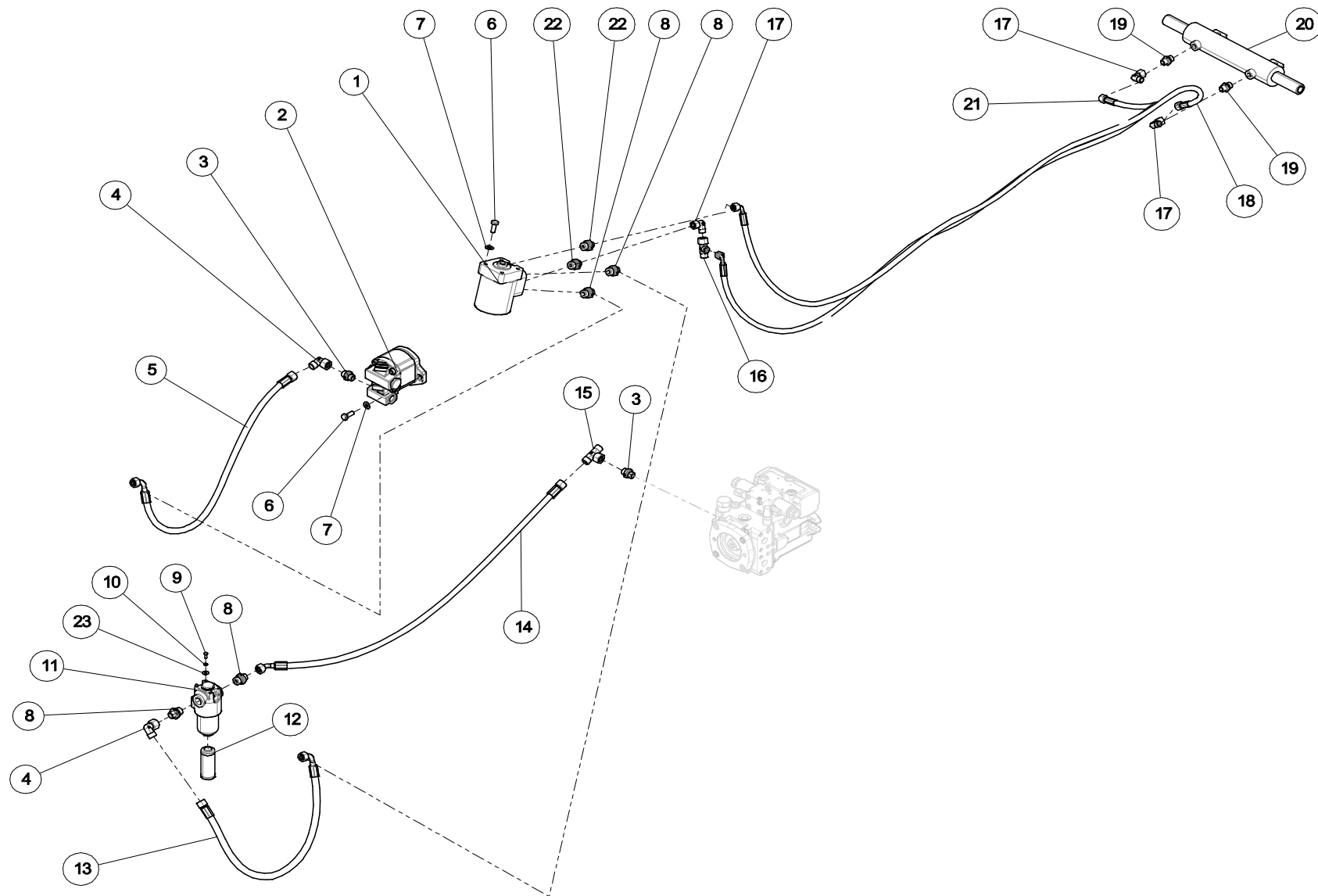
MOWING HYDRAULICS | MAEHYDRAULIK | HYDRAULIQUE DE FAUCHAGE | MAAIHYDRAULIEK
EVM021511
F3/R3

KEY	PART NO.	QTY	SERIAL NO.	DESCRIPTION	BESCHREIBUNG	DESIGNATION	OMSCHRIJVING	REMARKS
20	EVA000169	1		HOSE LINE	SCHLAUCHLEITUNG	TUYAU	HYDROSLANG	
21	EVA000170	1		HOSE LINE	SCHLAUCHLEITUNG	TUYAU	HYDROSLANG	
22	RBC203973	3		FITTING	FITTING	RACCORD	NIPPEL	GE15LM22X1.5EDOMD CF
23	EVA000168	1		HOSE LINE	SCHLAUCHLEITUNG	TUYAU	HYDROSLANG	
24	EVA000167	1		HOSE LINE	SCHLAUCHLEITUNG	TUYAU	HYDROSLANG	
25	EVU000988	1		HOSE PROTECTION	SCHUTZSCHLAUCH	PROTEGE-FLEXIBLE	BESCHERMHOES	
26	RBC027371	3		MEASURING COUPLING	MESSANSCHLUSS	RACCORD PRISE PRESSION	MEETPUNTAANSLUITING	EMA3 1/4ED
27	EVA000526	1		CARTRIDGE	VENTILPATRONE	CARTOUCHE	VENTIELPATROON	2/2
27.1	EVA000533	1		SEAL KIT	ABDICHTUNGSSATZ	KIT DE JOINTS	PAKKINGSET	
27.2	EVU001716	1		NUT	MUTTER	ECROU	MOER	
28	EVA000527	1		SOLENOID	MAGNEETVENTIL	SOLENOIDE	MAGNEETPOEL	
29	EVA000539	1		CONTROL VALVE	STEUERGERAT	DISTRIBUTEUR	STUURVENTIEL	
29.1	EVU001025	1		GASKET	DICHTUNG	BOURRAGE	PAKKING	
30	EVA000540	1		CONTROL VALVE	STEUERGERAT	DISTRIBUTEUR	STUURVENTIEL	
30.1	EVU001024	1		O-RING	O-RING	JOINT TORIQUE	O-RING	
30.2	EVA000551	1		SOLENOID	MAGNEETVENTIL	SOLENOIDE	MAGNEETPOEL	
31	RBC045060	1		RUBBER FLAP	SCHUTZGUMMI	JOINT CAOUTCHOUC	RUBBER FLAP	

STEERING HYDRAULICS | LENKHYDRAULIK | DIRECTION HYDRAULIQUE | STUURHYDRAULIEK

EVM021511

F3/R3

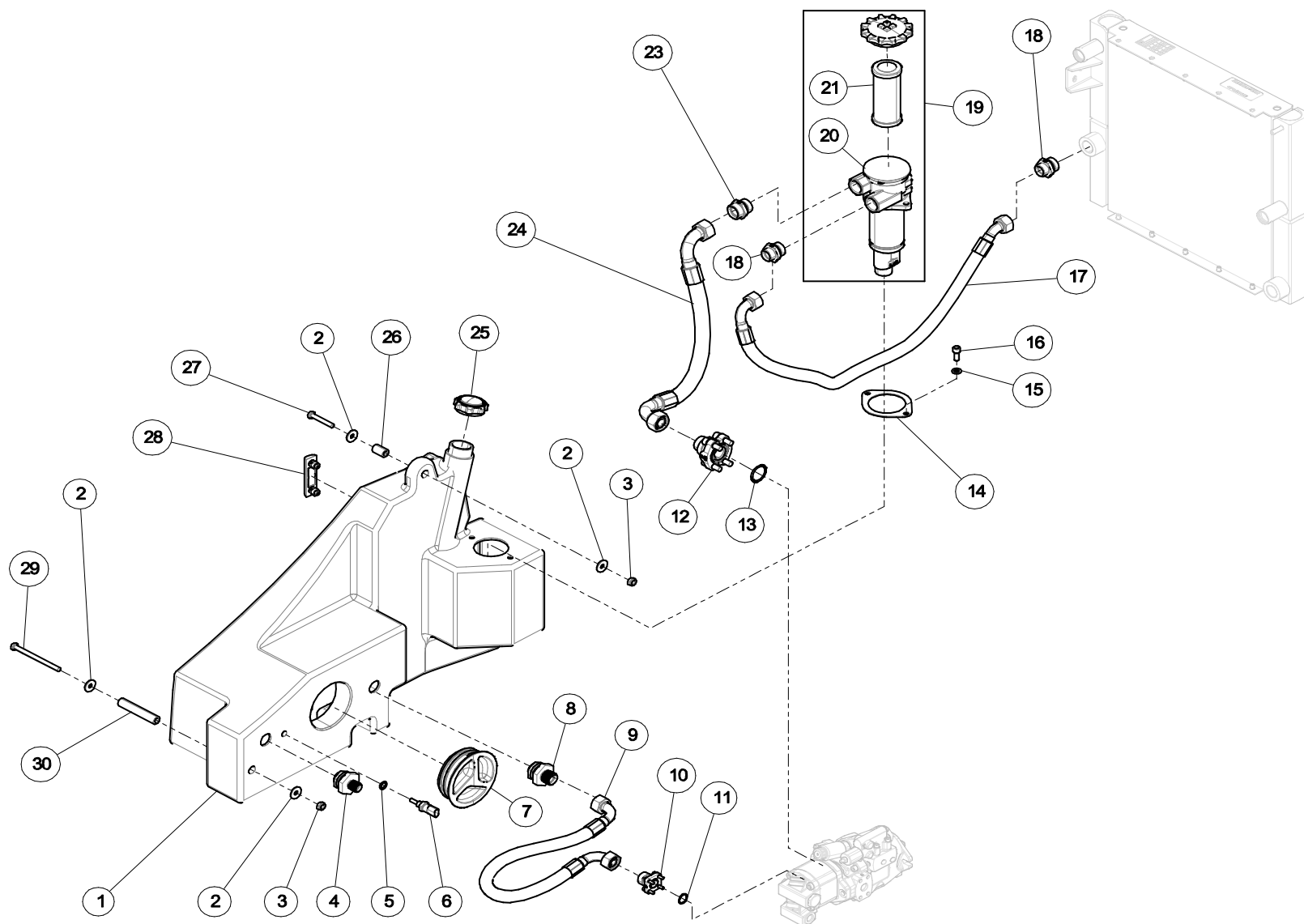


STEERING HYDRAULICS | LENKHYDRAULIK | DIRECTION HYDRAULIQUE | STUURHYDRAULIEK
EVM021511
F3/R3

KEY	PART NO.	QTY	SERIAL NO.	DESCRIPTION	BESCHREIBUNG	DESIGNATION	OMSCHRIJVING	REMARKS
1	RBC045952	1		STEERING CONTROL UNIT	LENKEINHEIT	UNITE DE DIRECTION	ORBITROL	
1.1	RBC045907	1		SEAL KIT	DICHTUNGSSATZ	JEU DE JOINTS	AFDICHTSET	
2	EVA000428	1		GEAR PUMP	ZAHNRADPUMPE	POMPE DE PIGNON	TANDWIELPOMP	
2.2	RBC043205	1		SEAL KIT	DICHTUNGSSATZ	JEU DE JOINT	AFDICHTSET	
3	EVA000586	5		FITTING	FITTING	RACCORD	NIPPEL	GE12LM18X1,5EDOMD CF
4	EVA000432	3		FITTING	FITTING	RACCORD	NIPPEL	EW12LOMD CF
5	EVA000179	1		HOSE LINE	SCHLAUCHLEITUNG	TUYAU	HYDROSLANG	
6	10.02.120	10		SCREW,HEX	SKT.SCHRAUBE	VIS A TETE,HEX	ZESK.TAPBOUT	DIN933,M10X25-8.8-ZN
7	12.01.010	12		WASHER,SPRING	FEDERRING	RONDELLE FREIN	VEERRING	DIN128,M10-ZN
8	EVU000088	4		FITTING	FITTING	RACCORD	NIPPEL	GE12LR1/2EDOMD CF
9	10.02.038	4		SCREW,HEX	SKT.SCHRAUBE	VIS A TETE,HEX	ZESK.TAPBOUT	DIN933,M5X12-8.8-ZN
10	12.01.005	4		WASHER,SPRING	FEDERRING	RONDELLE,FREIN	VEERRING	DIN128,M5-ZN
11	RBC043659	1		HYDRAULIC FILTER	HYDRAULIKOELFILTER	FILTRE A HUILE HYDRAULIQUE	HYDROFILTER	
11.1	RBC044592	1		SEAL KIT	DICHTUNGSSATZ	JEU DE JOINTS	AFDICHTSET	
12	RBC043242	1		FILTER ELEMENT	FILTEREINSATZ	ELEMENT DE FILTRE	FILTERELEMENT	
13	EVA000182	1		HOSE LINE	SCHLAUCHLEITUNG	TUYAU	HYDROSLANG	
14	EVA000183	1		HOSE LINE	SCHLAUCHLEITUNG	TUYAU	HYDROSLANG	
15	EVA000449	2		FITTING	FITTING	RACCORD	NIPPEL	ET12LOMD CF
16	RBC203644	2		FITTING	FITTING	RACCORD	NIPPEL	EL10LOMD CF
17	EWA000285	6		FITTING	FITTING	RACCORD	NIPPEL	EW10LOMD CF
18	EVA000180	1		HOSE LINE	SCHLAUCHLEITUNG	TUYAU	HYDROSLANG	
19	EWU000502	5		FITTING	VERSCHRAUBUNG	RACCORD	NIPPEL	GE10LR3/8EDOMD CF
20	EVA000112	1		STEERING CYLINDER	LENKZYLINDER	VERIN DE DIRECTION	STUURCILINDER	
20.1	EVA000332	1		SEAL KIT	DICHTUNGSSATZ	JEU DE JOINTS ANNULAIRES	AFDICHTSET	
21	EVA000181	1		HOSE LINE	SCHLAUCHLEITUNG	TUYAU	HYDROSLANG	
22	EWU000240	2		FITTING	FITTING	RACCORD	NIPPEL	GE10LR1/2EDOMD CF
23	12.15.105	2		WASHER	UNTERLEGSCHIEBE	RONDELLE	SLUITRING	DIN9021-M5-ZN

EVM021511

F3/R3



SUCTION HYDRAULICS | SAUGHYDRAULIK | HYDRAULIQUE DE SUCTION | AANZUIGHYDRAULIEK

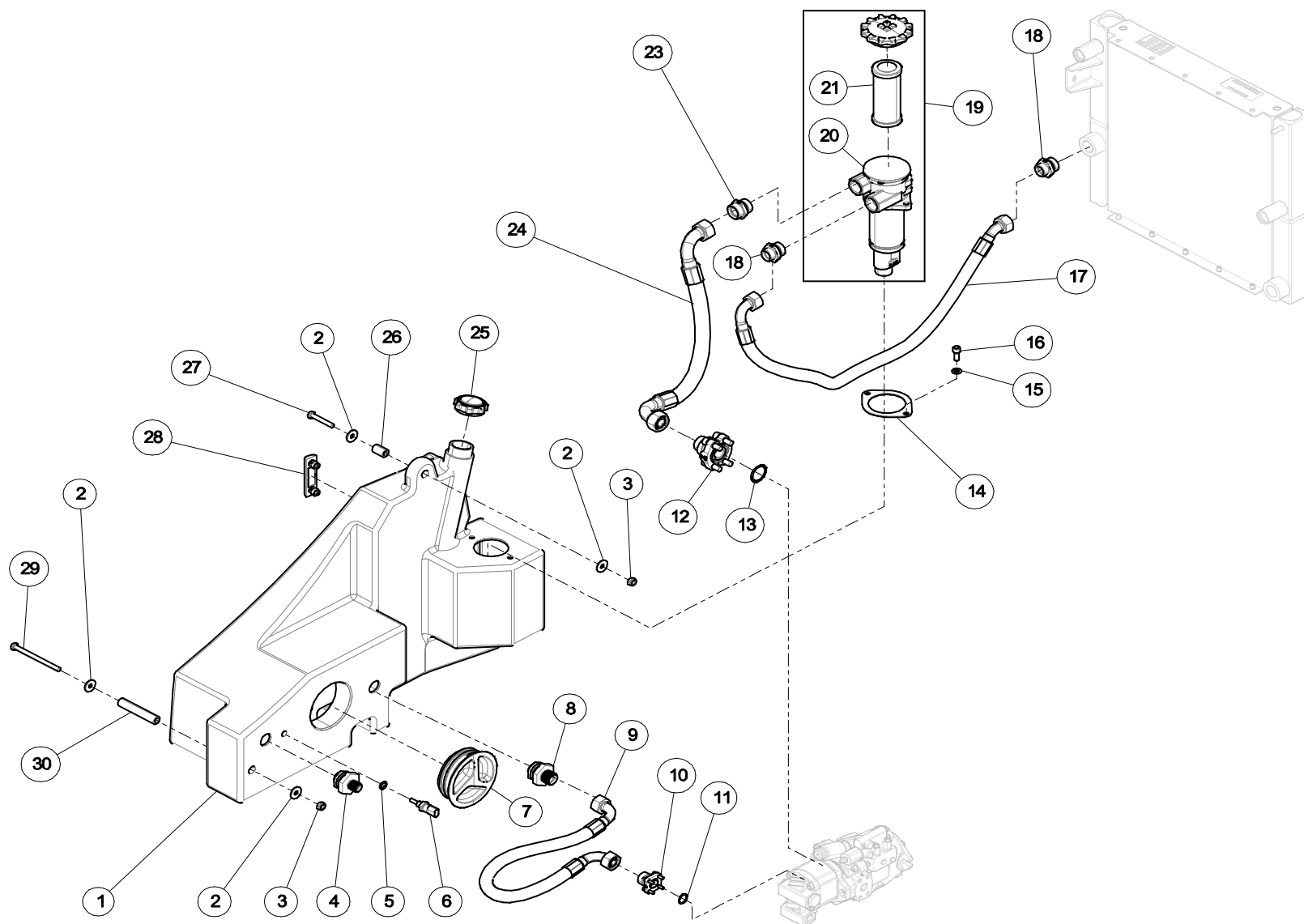
EVM021511

F3/R3

KEY	PART NO.	QTY	SERIAL NO.	DESCRIPTION	BESCHREIBUNG	DESIGNATION	OMSCHRIJVING	REMARKS
1	EVA000151	1		HYDRAULIC TANK,	OELBEHALTER	RESERVOIR A HUILE	HYDROTANK	CPL.
2	12.15.110	4		WASHER	UNTERLEGSSCHEIBE	RONDELLE	SLUITRING	DIN9021-M10-ZN
3	11.05.010	2		LOCKNUT	SICHERUNGSMUTTER	SICHERUNGSMUTTER	ZESK.BORGMOER	DIN985,M10-8-ZN
4	EVA000202	1		FITTING	FITTING	RACCORD	NIPPEL	15L,CPL.
5	RBU215439	1		PACKING	DICHTUNG	JOINT	PAKKING	
6	RBA210679	1		SWITCH	SCHALTER	COMMUTATEUR	SCHAKELAAR	TEMPERATURE HYDR. OIL
7	RBC046132	1		FILLER CAP	TANKVERSCHLUSS	BOUCHON DE RESERVOIR	TANKDOP	
7.1	RBC201846	1		O-RING	O-RING	JOINT TORIQUE	O-RING	NBR 123X8MM
8	RBA210237	1		FITTING	FITTING	RACCORD	NIPPEL	
9	EVA000479	1		HOSE LINE	SCHLAUCHLEITUNG	TUYAU	HYDROSLANG	
10	EVA000290	1		FITTING	FITTING	RACCORD	NIPPEL	BFG22L/LK40OMD CF
11	RBC043635	1		O-RING	O-RING	JOINT TORIQUE	O-RING	26X2.5 NBR
12	EVA000291	1		FLANGE ADAPTER	FLANSCHADAPTER	BRIDE ADAPTEUR	FLENS ADAPTER	
13	EVU000968	1		O-RING	O-RING	JOINT TORIQUE	O-RING	37,69X3,53 NBR
14	RBU210390	1		PACKING	PACKUNG	GARNITURE D'ETANCHEITE	PAKKING	
15	12.11.010	12		WASHER	UNTERLEGSSCHEIBE	RONDELLE	SLUITRING	DIN125A,M10-ZN
16	10.28.120	2		SCREW,SOC	ZYL.SCHRAUBE,ISK	VIS A TETE,CYL.SPC	CIL.BOUT,BZK	DIN912,M10X25-8.8-ZN
17	EVA000480	1		HOSE LINE	SCHLAUCHLEITUNG	TUYAU	HYDROSLANG	
18	RBC203674	4		FITTING	FITTING	RACCORD	NIPPEL	GE22LR1EDOMD CF
19	EVA000133	1		HYDRAULIC FILTER	HYDRAULIKOELFILTER	FILTRE A HUILE HYDRAULIQUE	HYDROFILTER	
19.1	RBU210777	1		SEAL KIT	DICHTUNGSSATZ	JEU DE JOINTS	AFDICHTSET	
20	EVA000362	1		HOUSING	GEHAUSE	BOITIER	HUIS	
21	EVA000361	1		FILTER ELEMENT	FILTREINSATZ	ELEMENT DE FILTRE	FILTRELEMENT	
22	RBU210154	1		CAP	DECKEL	COUVERCLE	DOP	
23	RBC203679	1		FITTING	FITTING	RACCORD	NIPPEL	GE28LREDOMD CF

EVM021511

F3/R3



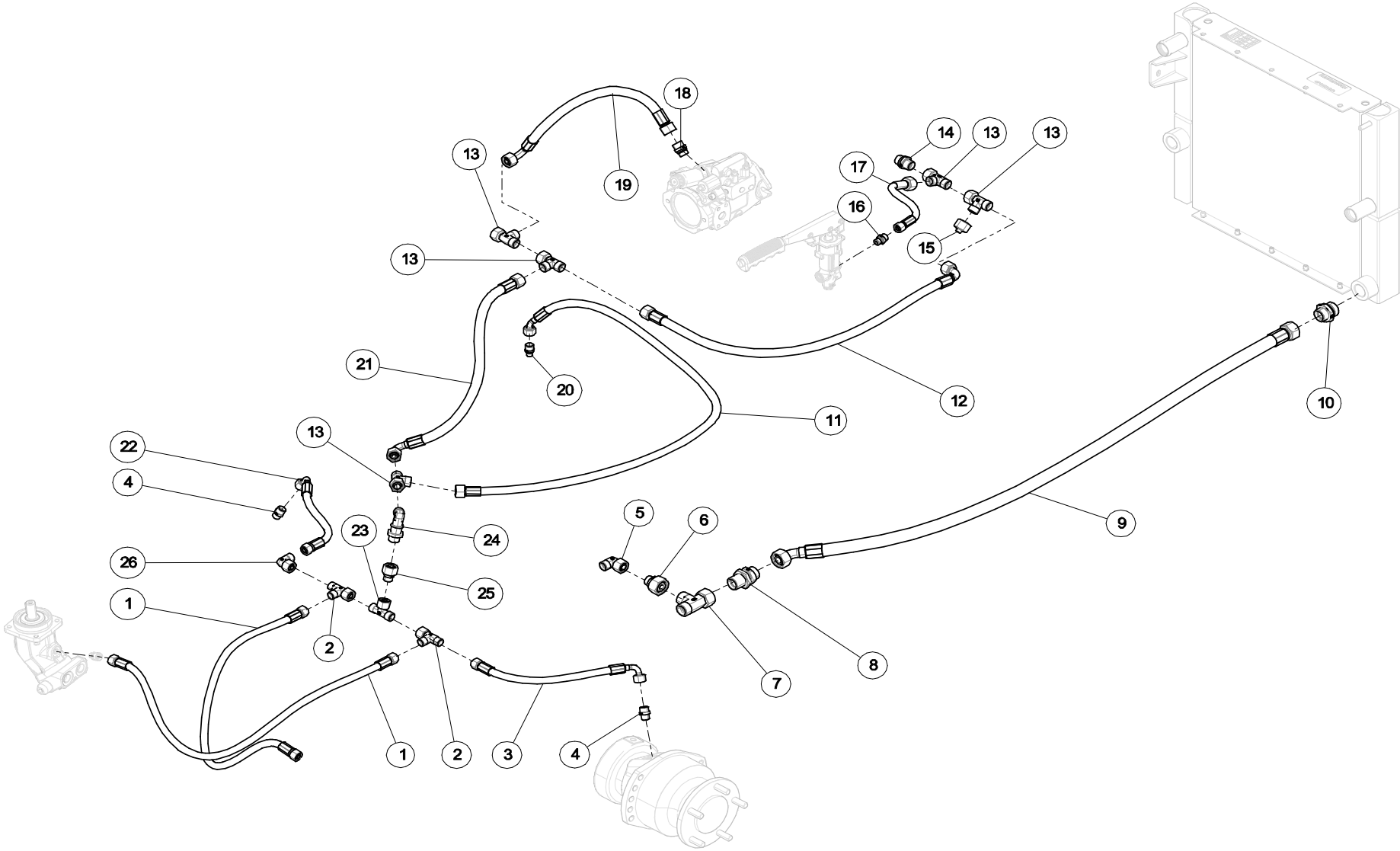
SUCTION HYDRAULICS | SAUGHYDRAULIK | HYDRAULIQUE DE SUCTION | AANZUIGHYDRAULIEK
EVM021511
F3/R3

KEY	PART NO.	QTY	SERIAL NO.	DESCRIPTION	BESCHREIBUNG	DESIGNATION	OMSCHRIJVING	REMARKS
24	EVA000478	1		HOSE LINE	SCHLAUCHLEITUNG	TUYAU	HYDROSLANG	
25	RBA12985	1		CAP	KAPPE	CAPUCHON	DOP	
26	EVU000380	1		SPACER	DISTANZBUECHSE	ENTRETOISE	AFSTANDBUS	
27	10.04.137	1		SCREW,HEX	SKT.SCHRAUBE	VIS A TETE,HEX	ZESK.BOUT	DIN931,M10X130-8.8-ZN
28	RBC031792	1		LEVEL GAUGE	FUELLSTANDANZEIGE	INDICATEUR DE NIVEAU	OLIEPEIL INDIKATOR	
29	10.04.137	1		SCREW,HEX	SKT.SCHRAUBE	VIS A TETE,HEX	ZESK.BOUT	DIN931,M10X130-8.8-ZN
30	EVU000217	1		SPACER	DISTANZSTUECK	ENTRETOISE	AFSTANDSPIJP	

DRAIN LINES | ABLASSLEITUNGEN | LIGNE DE DRAINAGE | LEKLEIDINGEN

EVM021511

F3/R3



DRAIN LINES | ABLASSLEITUNGEN | LIGNE DE DRAINAGE | LEKLEIDINGEN

EVM021511

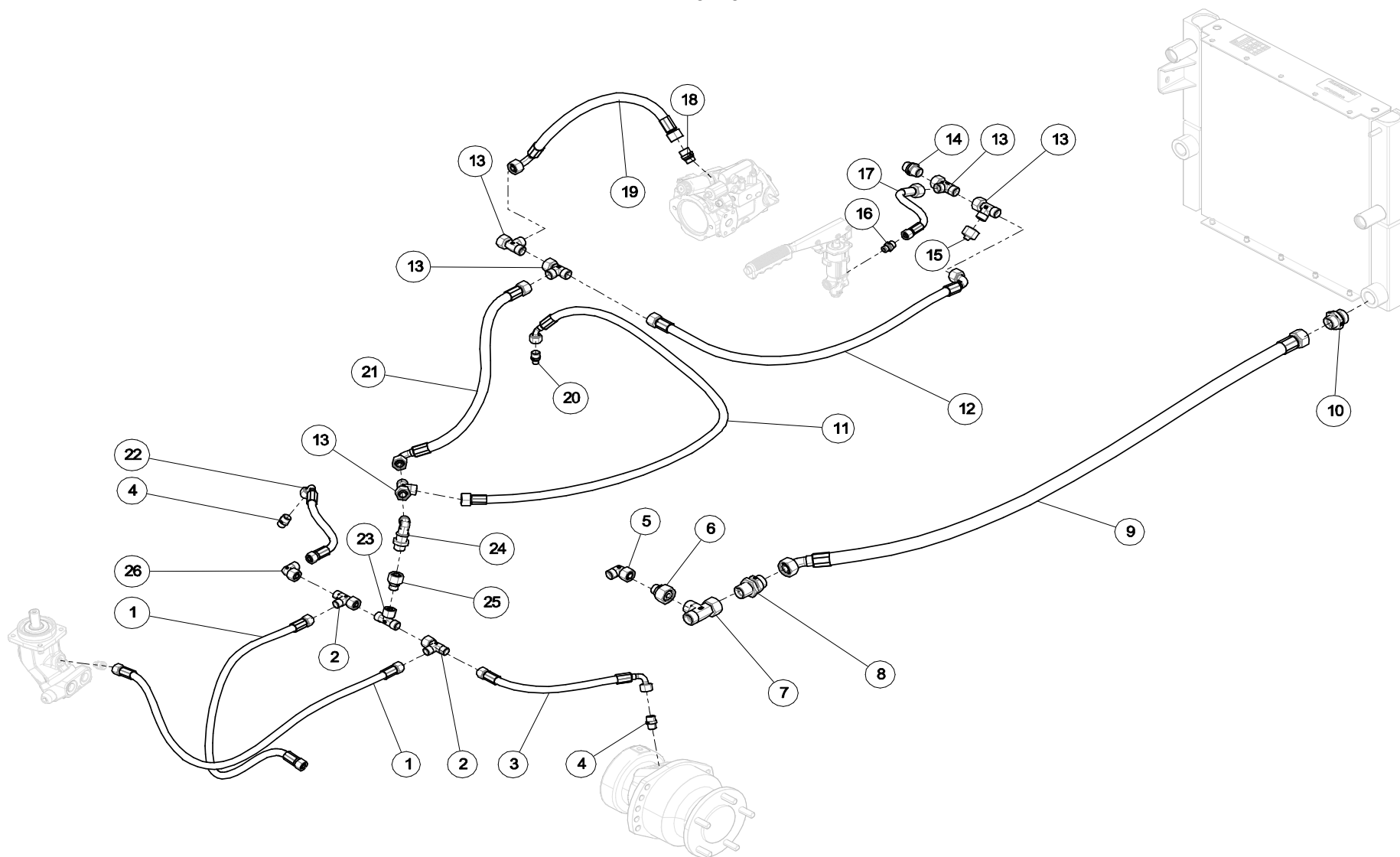
F3/R3

KEY	PART NO.	QTY	SERIAL NO.	DESCRIPTION	BESCHREIBUNG	DESIGNATION	OMSCHRIJVING	REMARKS
1	EVA000189	2		HOSE LINE	SCHLAUCHLEITUNG	TUYAU	HYDROSLANG	
2	EVA000447	2		FITTING	FITTING	RACCORD	NIPPEL	EL12LOMD CF
3	EVA000192	1		HOSE LINE	SCHLAUCHLEITUNG	TUYAU	HYDROSLANG	
4	EVU000091	1		FITTING	FITTING	RACCORD	NIPPEL	GE12LREDOMD CF
5	EWU000481	1		FITTING	FITTING	RACCORD	NIPPEL	EW15LOMD CF
6	RBC043617	1		REDUCING COUPLING	REDUZIERVERSCHRAUBUNG	RACCORD DE REDUCTION	NIPPEL	RED22/15L OMD CF
7	RBC205079	1		FITTING	FITTING	RACCORD	NIPPEL	EL22LOMD CF
8	EVA000191	1		FITTING	VERSCHRAUBUNG	RACCORD	NIPPEL	SV22LOMD CF
9	EVA000816	1		HOSE LINE	SCHLAUCHLEITUNG	TUYAU	HYDROSLANG	
10	RBC203674	1		FITTING	FITTING	RACCORD	NIPPEL	GE22LR1EDOMD CF
11	EVA000197	1		HOSE LINE	SCHLAUCHLEITUNG	TUYAU	HYDROSLANG	
12	EVA000817	1		HOSE LINE	SCHLAUCHLEITUNG	TUYAU	HYDROSLANG	
13	EWU000482	5		FITTING	FITTING	RACCORD	NIPPEL	EL15L ED OMD CF
14	RBC203973	1		FITTING	FITTING	RACCORD	NIPPEL	GE15LM22X1.5EDOMD CF
15	EVA000613	1		BLINDSTOP	BLINDSTOPFEN	CHEVILLE	BLINDSTOP	15L
16	RBC048487	1		FITTING	FITTING	RACCORD	NIPPEL	GE10LMEDOMD CF
17	EVA000194	1		HOSE LINE	SCHLAUCHLEITUNG	TUYAU	HYDROSLANG	
18	RBC019411	1		FITTING	FITTING	RACCORD	NIPPEL	GE15L3/4UNFOMD CF
19	EVA000198	1		HOSE LINE	SCHLAUCHLEITUNG	TUYAU	HYDROSLANG	
20	RBC047966	1		FITTING	FITTING	RACCORD	NIPPEL	GE12LM12X1,5EDOMD CF
21	EVA000818	1		HOSE LINE	SCHLAUCHLEITUNG	TUYAU	HYDROSLANG	
22	EVA000192	1		HOSE LINE	SCHLAUCHLEITUNG	TUYAU	HYDROSLANG	
23	EVA000449	1		FITTING	FITTING	RACCORD	NIPPEL	ET12LOMD CF
24	RBC203689	1		FITTING	FITTING	RACCORD	NIPPEL	WSV15LOMD CF
25	RBC203979	1		FITTING	FITTING	RACCORD	NIPPEL	RED15/12OMD CF

DRAIN LINES | ABLASSLEITUNGEN | LIGNE DE DRAINAGE | LEKLEIDINGEN

EVM021511

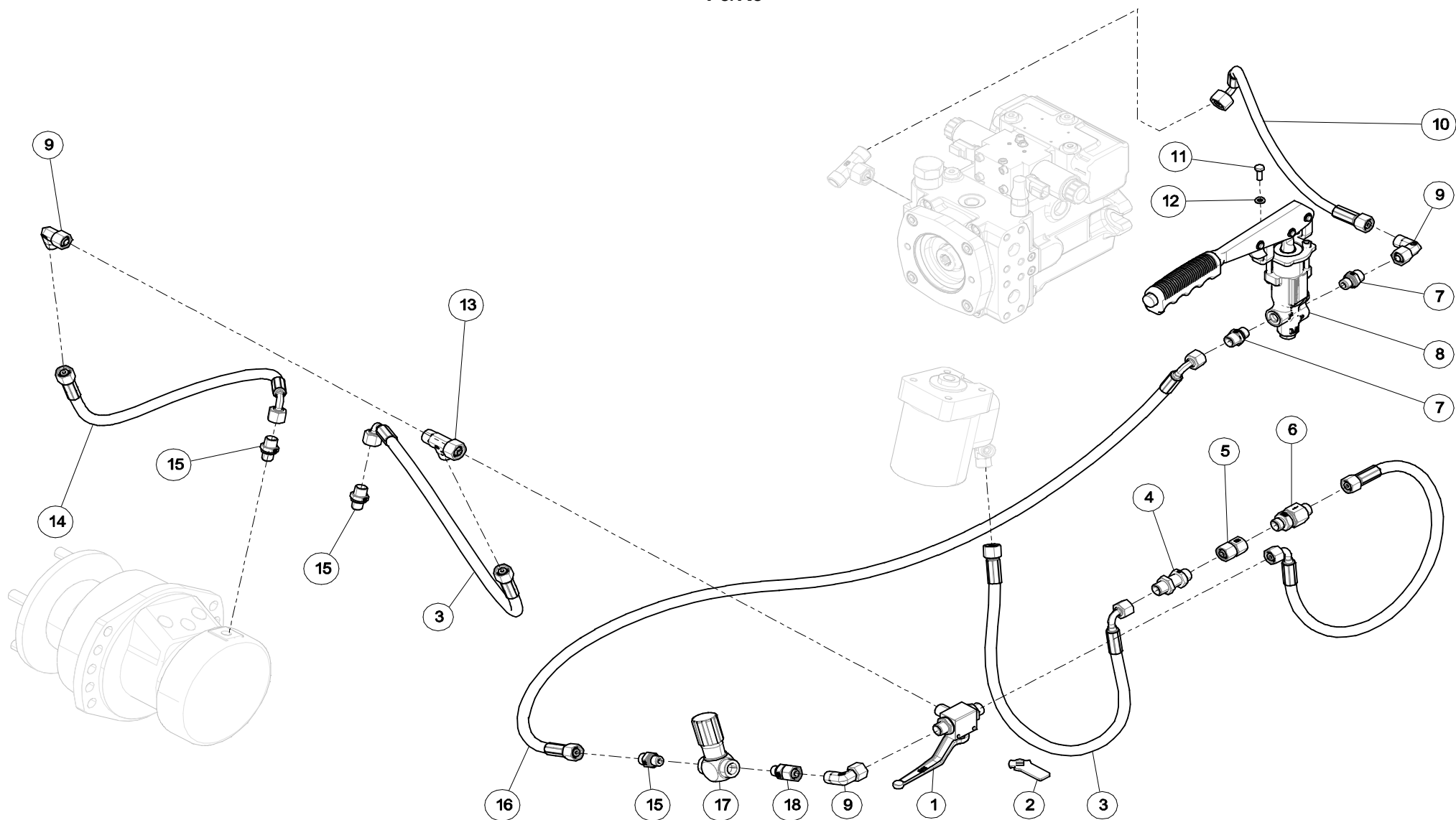
F3/R3



DRAIN LINES | ABLASSLEITUNGEN | LIGNE DE DRAINAGE | LEKLEIDINGEN
EVM021511
F3/R3

KEY	PART NO.	QTY	SERIAL NO.	DESCRIPTION	BESCHREIBUNG	DESIGNATION	OMSCHRIJVING	REMARKS
26	EVA000432	1		FITTING	FITTING	RACCORD	NIPPEL	EW12LOMD CF

PARKING BRAKE | PARKBREMSE | FREIN DE STATIONNEMENT | PARKEERREM
EVM021511
F3/R3



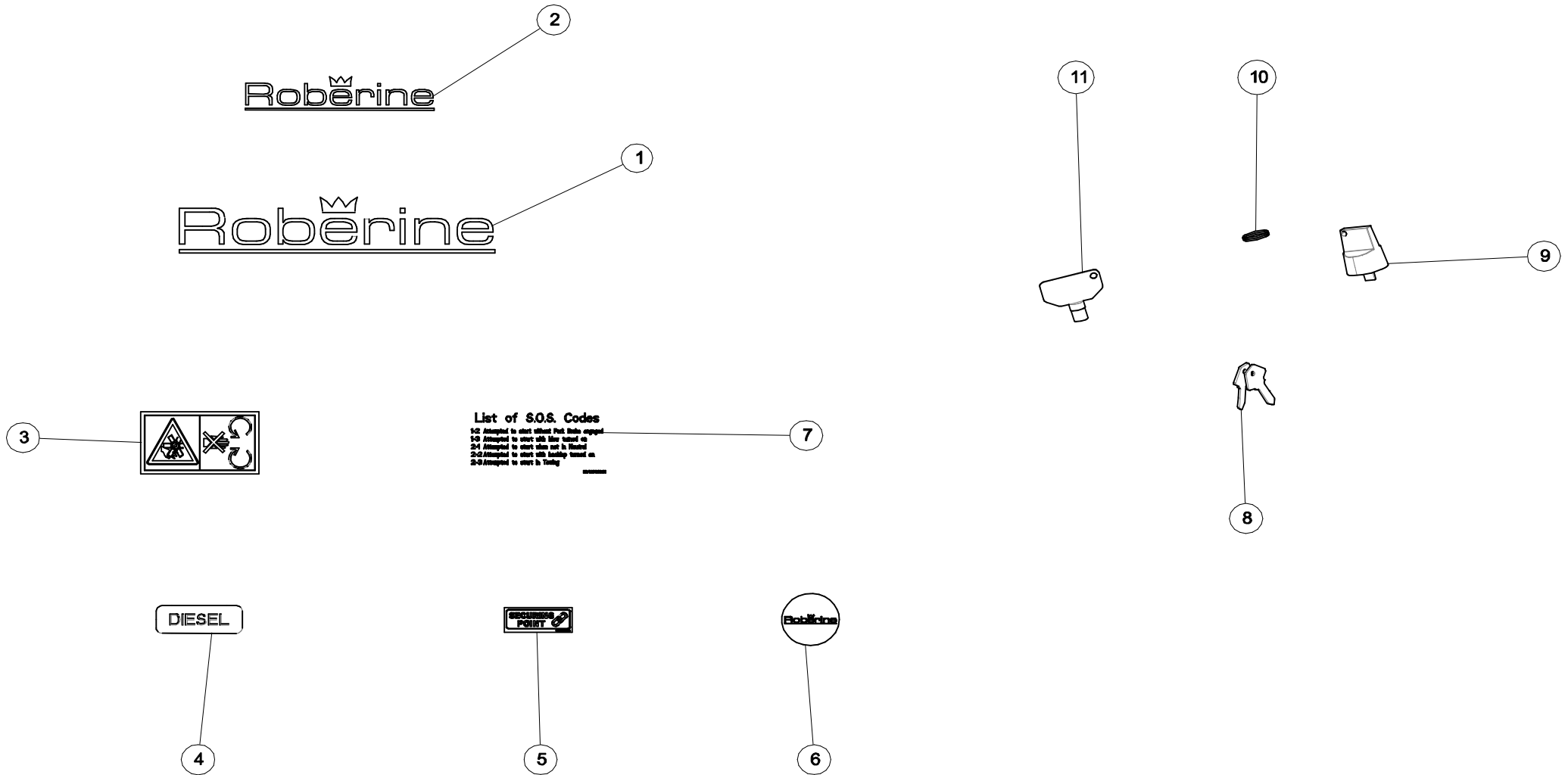
PARKING BRAKE | PARKBREMSE | FREIN DE STATIONNEMENT | PARKEERREM

EVM021511

F3/R3

KEY	PART NO.	QTY	SERIAL NO.	DESCRIPTION	BESCHREIBUNG	DESIGNATION	OMSCHRIJVING	REMARKS
1	EVA001255	1	**Y0001 -	BALL VALVE	KUGELHAHN	VANNE A BILLE	KOGELKRAAN	
1	EVA000482	1	-**X0034	BALL VALVE	KUGELHAHN	VANNE A BILLE	KOGELKRAAN	HD DN08 DBK10L-L
1.1	RBC043205	1	-**X0034	SEAL KIT	DICHTUNGSSATZ	JEU DE JOINT	AFDICHTSET	
2	EVU000963	1		STRIP,SENSOR	STREIFEN,SENSOR	BANDE,CAPTEUR	STRIP,SENSOR	
3	EVA000187	3		HOSE LINE	SCHLAUCHLEITUNG	TUYAU	HYDROSLANG	
4	RBC203683	1		FITTING	FITTING	RACCORD	NIPPEL	SV10LOMD CF
5	EVA000489	1		FITTING	FITTING	RACCORD	NIPPEL	GZ10LOMD CF
6	EVA000483	1		CHECK VALVE	RUCKSCHLAGVENTIL	CLAPET ANTI-RETOUR	TERUGSLAGKLEP	RWD 10L
7	RBC048487	2		FITTING	FITTING	RACCORD	NIPPEL	GE10LMEDOMD CF
8	EVA000819	1		BRAKE VALVE	BREMSVENTIL	SOUPAPE FREINER	REMVENTIEL	
8.1	RBA210916	1		HANDBRAKE LEVER	HANDBREMSHEBEL	LEVER DE FREIN A MAIN	HANDREMHENDEL	
9	EWA000285	3		FITTING	FITTING	RACCORD	NIPPEL	EW10LOMD CF
10	EVA000184	1		HOSE LINE	SCHLAUCHLEITUNG	TUYAU	HYDROSLANG	
11	10.02.061	2		SCREW,HEX	SKT.SCHRAUBE	VIS A TETE,HEX	ZESK.TAPBOUT	DIN933,M6X16-8.8-ZN
12	12.11.006	2		WASHER	UNTERLEGSCHIEBE	RONDELLE	SLUITRING	DIN125A,M6-ZN
13	RBC203644	1		FITTING	FITTING	RACCORD	NIPPEL	EL10LOMD CF
14	EVA000186	1		HOSE LINE	SCHLAUCHLEITUNG	TUYAU	HYDROSLANG	
15	EWU000241	3		FITTING	FITTING	RACCORD	NIPPEL	GE10LR1/4EDOMD CF
16	EVA000185	1		HOSE LINE	SCHLAUCHLEITUNG	TUYAU	HYDROSLANG	
17	CR-01-26	1		RESTRICTOR	BLLENDE	ENTRANGLEMENT	SMORING	1/4" ADJUSTABLE
18	EWA000286	1		FITTING	FITTING	RACCORD	NIPPEL	EGE10LRED CF

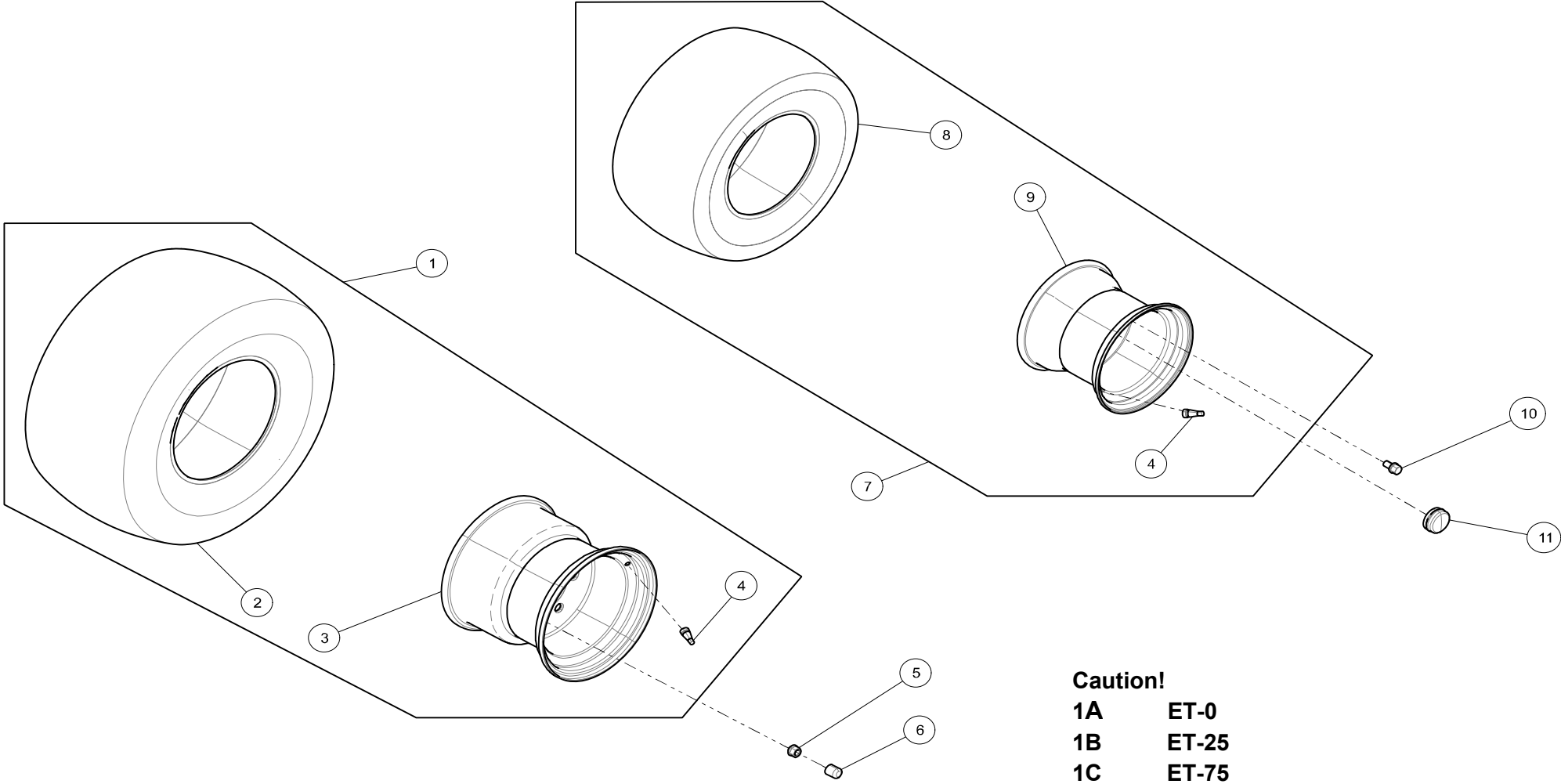
DECALS, TOOL KIT | AUFKLEBER, WERKZEUGSATZ | AUTOCOLLANT, JEU D'OUTILS | STICKERS, GEREEDSCHAPSET
EVM021512
F3/R3



DECALS, TOOL KIT | AUFKLEBER, WERKZEUGSATZ | AUTOCOLLANT, JEU D'OUTILS | STICKERS, GEREEDSCHAPSET
EVM021512
F3/R3

KEY	PART NO.	QTY	SERIAL NO.	DESCRIPTION	BESCHREIBUNG	DESIGNATION	OMSCHRIJVING	REMARKS
1	EVU000986	3		DECAL	AUFKLEBER	AUTOCOLLANT	STICKER	"ROBERINE"
2	EVU000985	1		DECAL	AUFKLEBER	AUTOCOLLANT	STICKER	"ROBERINE"
3	RBC203187	1		DECAL	AUFKLEBER	AUTOCOLLANT	STICKER	WARNING,ROTATING FAN
4	RBC200876	1		DECAL	AUFKLEBER	AUTOCOLLANT	STICKER	DIESEL
5	EVU001890	1		DECAL	AUFKLEBER	AUTOCOLLANT	STICKER	SECURING POINT
6	EVU001010	1		DECAL	AUFKLEBER	AUTOCOLLANT	STICKER	"ROBERINE" ROUND 47MM
7	EVU001001	1		DECAL	AUFKLEBER	AUTOCOLLANT	STICKER	"S.O.S. CODES"
8	EVA000560	1		KIT,KEYS	SATZ,SCHLUESSEL	KIT,CLE	SET,SLEUTELS	FUEL CAP
9	EVA000374	1		IGNITION KEY	KONTAKTSCHLUESSEL	CLE DE CONTACT	CONTACTSLEUTEL	
10	RBC028832	1		SLOTTED RING	SCHLITZRING	BAGUE FENDUE	SLEUTELRING	
11	RBC048690	1		KEY	SCHLUSSEL	CLE	SLEUTEL	HOOD
	EVA000512	1		TOOL KIT	WERKZEUGSATZ	JEU D'OUTILS	GEREEDSCHAPSET	

WHEEL AND TIRE | REIFEN UND FELGE | PNEU ET JANTE | WIEL EN BAND
EVB021503 + EVB021504 + EVB021505
F3 / R3



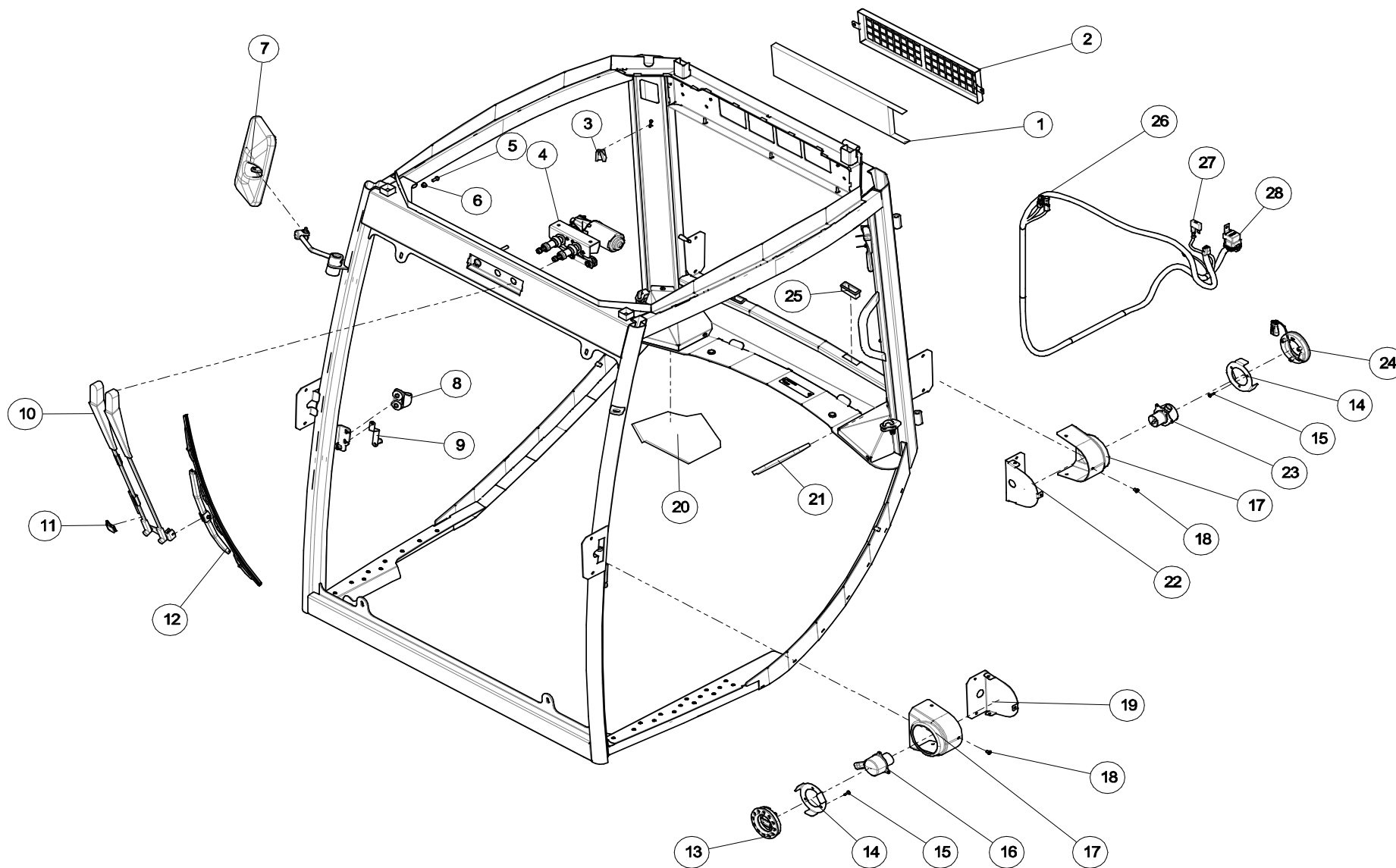
Caution!

- 1A ET-0
- 1B ET-25
- 1C ET-75

WHEEL AND TIRE | REIFEN UND FELGE | PNEU ET JANTE | WIEL EN BAND
EVB021503 + EVB021504 + EVB021505
F3 / R3

KEY	PART NO.	QTY	SERIAL NO.	DESCRIPTION	BESCHREIBUNG	DESIGNATION	OMSCHRIJVING	REMARKS
1A	EVA000264	2		WHEEL,CPL. FRONT	RAD,KPL. VORNE	ROUE,CPL. ARRIERE	WIEL,KPL. VOOR	26X12.00-12 8PR,ET0
1B	EVA000481	2		WHEEL,CPL. FRONT	RAD,KPL. VORNE	ROUE,CPL. ARRIERE	WIEL,KPL. VOOR	26X12.00-12 8PR,ET-25
1C	EVA000727	2		WHEEL,CPL. FRONT	RAD,KPL. VORNE	ROUE,CPL. ARRIERE	WIEL,KPL. VOOR	26X12.00-12 8PR,ET-75
2	EVA000154	2		TIRE	REIFEN	PNEU	BUITENBAND	26X12.00-12
3A	EVU000415	2		RIM,FRONT	FELGE,VORNE	JANTE,ARRIERE	VELG,VOOR	ET0
3B	EVU000960	2		RIM,FRONT	FELGE,VORNE	JANTE,ARRIERE	VELG,VOOR	ET-25
3C	EVU001304	2		RIM,FRONT	FELGE,VORNE	JANTE,ARRIERE	VELG,VOOR	ET-75
4	RBA30346	2		TIRE VALVE	GUMMIVENTIL	VALVE	VENTIEL	TR-413,DIN7780,43GS11.5
5	RBC030983	10		WHEEL NUT	KUGELBUNDMUTTER	ECROU DE ROUE	KOGELMOER	DIN74361,M14X1.5
6	RBC012948	10		PROTECTION CAP	SCHUTZKAPPE	CAPUCHON	BESCHERMDOP	SW19-1-G27
7	EVA000265	2		WHEEL,CPL. REAR	RAD,KPL. HINTEN	ROUE,CPL. DERRIERE	WIEL,KPL. ACHTER	20X10.00-10 6PR
8	EVA000267	2		TIRE	REIFEN	PNEU	BUITENBAND	20"
9	EVU000416	2		RIM,REAR	FELGE,HINTEN	JANTE,DERRIERE	VELG,ACHTER	
10	RBC011733	10		WHEEL BOLT	RADBOLZEN	BOULON DE ROUE	WIELBOUT	M14X1.5X39.5 BLACK
11	EVU000992	2		CAP	VERSCHLUSSDECKEL	COUVERCLE DE FERMETURE	SLAGDOP	

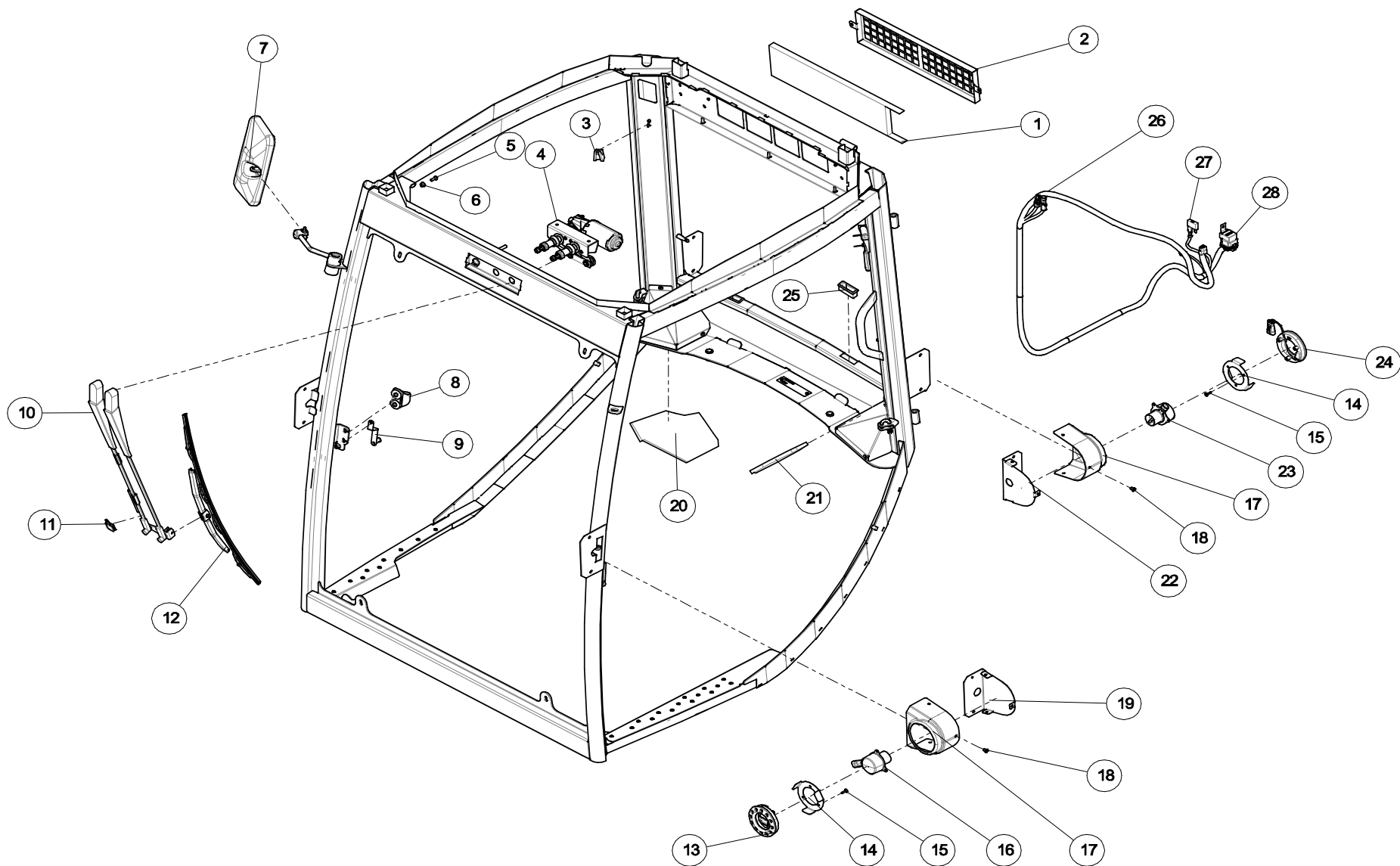
CABIN | KABINE | CABINE | KABINE
EVB021507 + EVB021508
F3/R3



CABIN | KABINE | CABINE | KABINE
EVB021507 + EVB021508
F3/R3

KEY	PART NO.	QTY	SERIAL NO.	DESCRIPTION	BESCHREIBUNG	DESIGNATION	OMSCHRIJVING	REMARKS
1	EVA000777	1		DUST FILTER	STAUBFILTER	FILTRE DE POUSSIERE	STOFFILTER	
2	EVA000778	1		FRAME FILTER	HALTERRAHMEN FILTER	SUPPORT FILTRE	HOUDER FILTER	
3	EVU001346	1		COAT HOOK	KLEIDERHAKEN	PORTEMANTEAU	KLEDINGHAAK	
4	EVA000781	1		WIPER MOTOR	WISCHERMOTOR	MOTEUR D'ESSUIE-GLACE	RUITENWISSERMOTOR	
5	10.02.061	2		SCREW,HEX	SKT.SCHRAUBE	VIS A TETE,HEX	ZESK.TAPBOUT	DIN933,M6X16-8.8-ZN
6	11.32.006	2		LOCKNUT,FL	SICHERUNGSMUTTER,FL	CONTRE-ECROU,EMB	ZESK.BORGMOER,FL	ISO7043,M6-10-ZN
7	EVA000782	2		MIRROR	SPIEGEL	MIROIR	SPIEGEL	
8	EVA000779	2		LOCKING BOLT	SCHLIESSBOLZEN	LOQUET	SLUITBOUT	
9	EVA000780	2		AIR GAP HOLDER	LUFTSPALTHALTER	SUPPORT FENTE	KIERSTANDHOUDER	
10	EVA000776	1		PARALLEL WIPER ARM	PARALLELWISCHERARM	BRAS D'ESSUIE-GLACE	PARALLELWISSERARM	
11	EVU001344	1		WASHER NOZZLE	SCHEIBENWASCHDUSE	BUSES LIQUIDE LAVE-GLACE	RUITENSPROEIER	
12	EVU001345	1		WIPER BLADE	WISCHERBLATT	BALAI D'ESSUIE-GLACE	RUITENWISSERBLAD	
13	EVA000468	2		PARKLIGHT	PARKLEUCHTE	FEU DE STATIONEMENT	PARKEERLICHT	LED
14	EVU000952	4		CLAMPING PLATE	SPANNPLATTE	PLAQUE FIXATION	SPANPLAAT	
15	10.56.038	12		SELF-TAPPING SCREW	SCHNEIDSCHRAUBE	VIS TARAUDEUSE	ZELFTAPPER,SCHROEF	DIN7981C-4.2X13-WZ
16	EVA000467	2		TURN SIGNAL LAMP	BLINKLEUCHTE	CLIGNOTANT	KNIPPERLICHT	FRONT,LED
17	EVU001090	4		COVER LIGHT	ABDECKUNG LEUCHTE	COUVERCLE FEU	AFDEKKING VERLICHTING	
18	10.59.040	12		SCREW,SOC	SCHRAUBE,ISK	VIS A TETE.SPC	BOUT,BZK	ISO7380,M5X16-8.8-ZN
19	EVA000774	2		MOUNTING PLATE LIGHT	MONTAGEPLATTE LEUCHTE	PLAQUE MONTER FEU	MONTAGEPLAAT LICHT	FRONT
20	EVU001342	1		ACOUSTIC INSULATION	GERAUSCHDAMMUNG	ISOLATION ACOUSTIQUE	GELUIDSISOLATIE	
21	EVU001343	1		ACOUSTIC INSULATION	GERAUSCHDAMMUNG	ISOLATION ACOUSTIQUE	GELUIDSISOLATIE	
22	EVA000775	2		MOUNTING PLATE LIGHT	MONTAGEPLATTE LEUCHTE	PLAQUE MONTER FEU	MONTAGEPLAAT LICHT	BACK
23	EVA000484	2		TURN SIGNAL LAMP	BLINKLEUCHTE	CLIGNOTANT	KNIPPERLICHT	REAR,LED
24	EVA000469	2		REARLIGHT	HECKLEUCHTE	FEU ARRIERE	ACHERLICHT	LED
25	EVU001347	2		INSERT FOR LOCK	EINRASTTEIL FUR VERSCHLUSS	FIXATION VERROUILLAGE	INZET VERGRENDELING	

CABIN | KABINE | CABINE | KABINE
EVB021507 + EVB021508
F3/R3



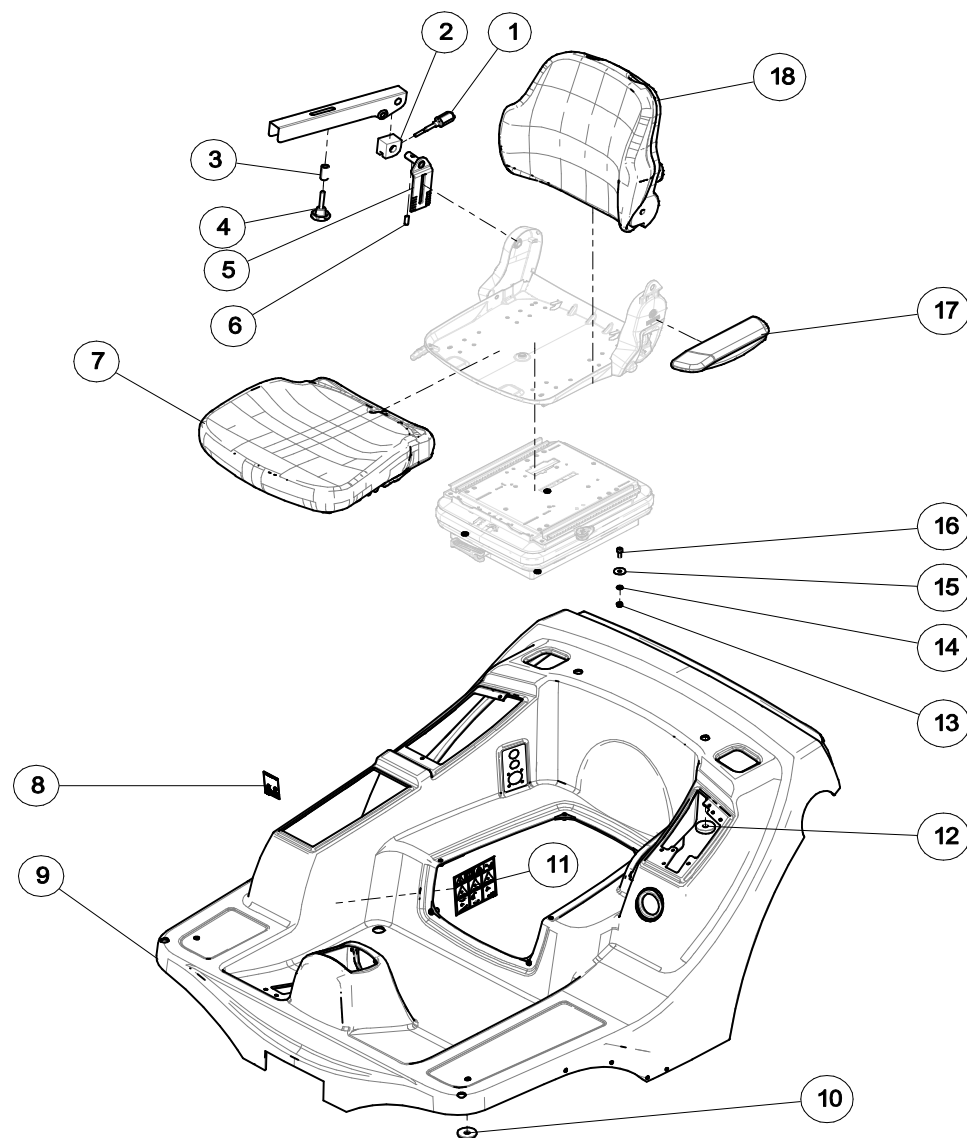
CABIN | KABINE | CABINE | KABINE
EVB021507 + EVB021508
F3/R3

KEY	PART NO.	QTY	SERIAL NO.	DESCRIPTION	BESCHREIBUNG	DESIGNATION	OMSCHRIJVING	REMARKS
26	EVA000263	1		WIRING HARNESS	KABELBAUM	CABLE FAISCEAU	KABELBUNDEL	CABINE,SERVICE
27	EVA000595	1		FUSE,BLADE MAXI	SICHERUNG,MAXI	FUSIBLE,MAXI	ZEKERING,MAXI	40A 32V ORANGE
28	RBA123716	1		RELAY,SEALED	RELAIS	RELAIS	RELAIS	W/BRACKET

CABIN | KABINE | CABINE | KABINE

EVB021507 + EVB021508

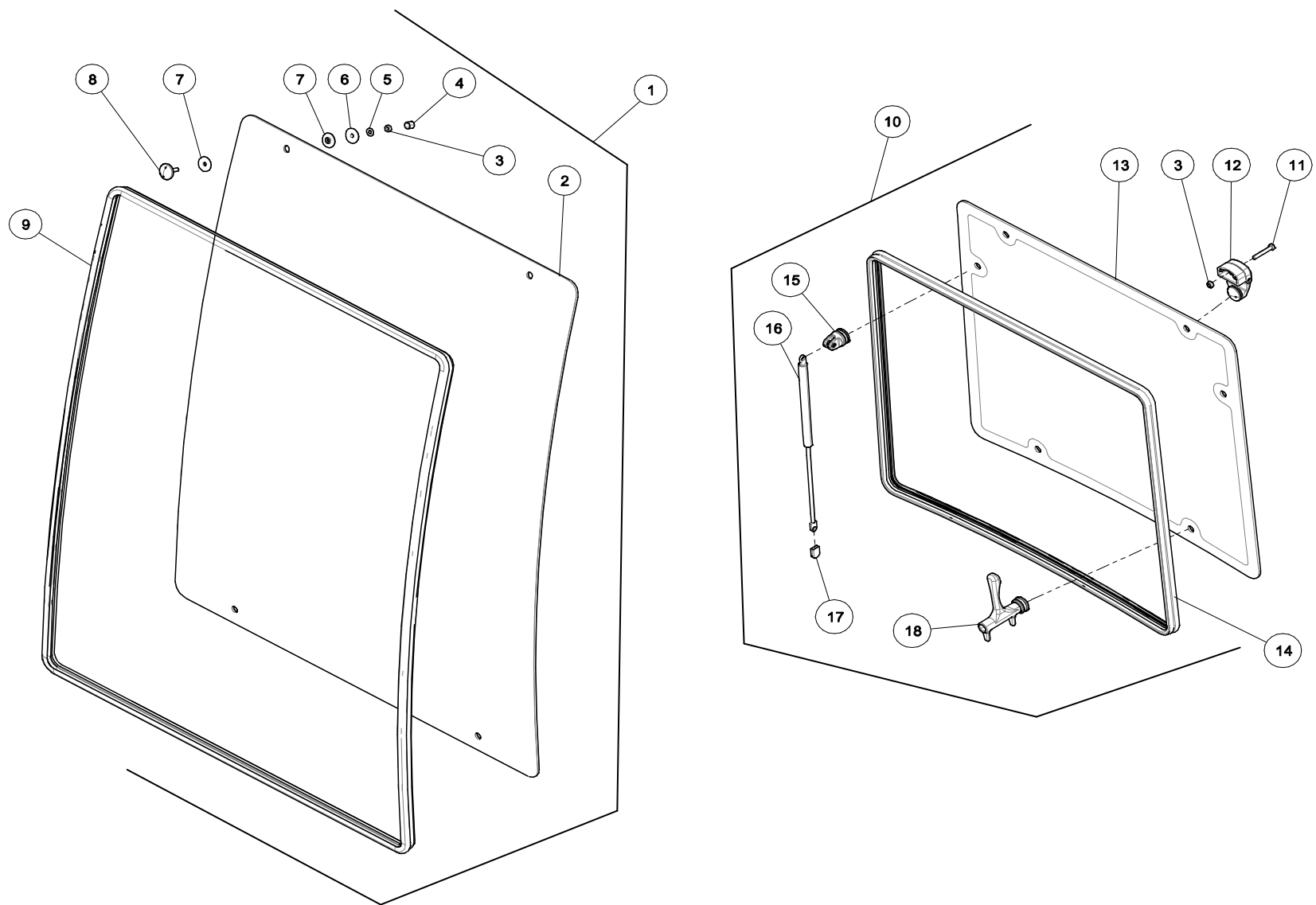
F3/R3



CABIN | KABINE | CABINE | KABINE
EVB021507 + EVB021508
F3/R3

KEY	PART NO.	QTY	SERIAL NO.	DESCRIPTION	BESCHREIBUNG	DESIGNATION	OMSCHRIJVING	REMARKS
1	RBU210645	1		STAR KNOB	DREIKANTGRIFF	POIGNEE-ETOILLE	STERKNOP	
2	RBU210647	1		SUPPORT	HALTER	SUPPORT	INLEGBLOK	
3	EVU000987	1		SPACER	DISTANZBUECHSE	ENTRETOISE	AFSTANDBUS	20X4X39MM
4	RBU210648	1		STAR KNOB	DREIKANTGRIFF	POIGNEE-ETOILE	STERKNOP	
5	EVA000490	1		PIVOT,CONTROL ARM	HALTER,ARMLEHNE	SUPPORT,ACCOUDOIR	HOUDER,ARMLEUNING	
6	10.60.620	1		SET SCREW	GEWINDESTIFT,SCHLITZ	VIS TETE FRAISEE	STELSCHROEF	DIN427,M10X25-22H-ZN
7	EVA000985	1		SEAT PAD	SITZPOLSTER	ASSISE DE SIEGE	ZITKUSSEN	
8	EVU001000	1		DECAL	AUFKLEBER	AUTOCOLLANT	STICKER	TYRE PESSURE CAB
9	EVA001192			PLATFORM CPL.	PLATFORM KPL.	PLATE-FORM CPL.	VOETKUIP KPL.	CABIN
10	EVU001086	2		SPACER	DISTANZSCHEIBE		AFSTANDSRING	17X48X5MM
11	EVU001310	1		DECAL	AUFKLEBER	AUTOCOLLANT	STICKER	ALERTS CABIN
12	EVU001087	2		SPACER	DISTANZSCHEIBE	ENTRETOISE	AFSTANDSRING	17X48X10MM
13	11.05.008	5		LOCKNUT	SICHERUNGSMUTTER	CONTRE-ECROU	ZESK.BORGMOER	DIN985,M8-8-ZN
14	12.11.008	7		WASHER	UNTERLEGSCHIEBE	RONDELLE	SLUITRING	DIN125A,M8-ZN
15	12.15.008	4		MUDGUARD WASHER	KOTFLUGELSCHEIBE	RONDELLE DE CARROSSERIE	CARROSSERIERING	M8X30X1.5 ZN
16	10.28.089	4		SCREW,SOC	ZYL.SCHRAUBE,ISK	VIS A TETE CYL.SPC	CIL.BOUT,BZK	DIN912,M8X1.25X20-8.8-ZN
17	EVA000988	1		ARMREST	ARMLEHNE	ACCOUDOIR	ARMLEUNING	LEFT
18	EVA000986	1		CUSHION,SEAT BACK	POLSTER,RÜCKLEHNE	COUSSIN,DOSSIER	KUSSEN,RUGLEUNING	
18.1	EVA000987	1		SEAT BACK EXTENSION	RUECKENVERLANGERUNG	EXTENSION DOSSIER	RUGLEUNINGVERLENGING	
	EVA000501	1		SEAT	SITZ	SIEGE	STOEL	CAB ONLY

CABIN | KABINE | CABINE | KABINE
EVB021507 + EVB021508
F3/R3

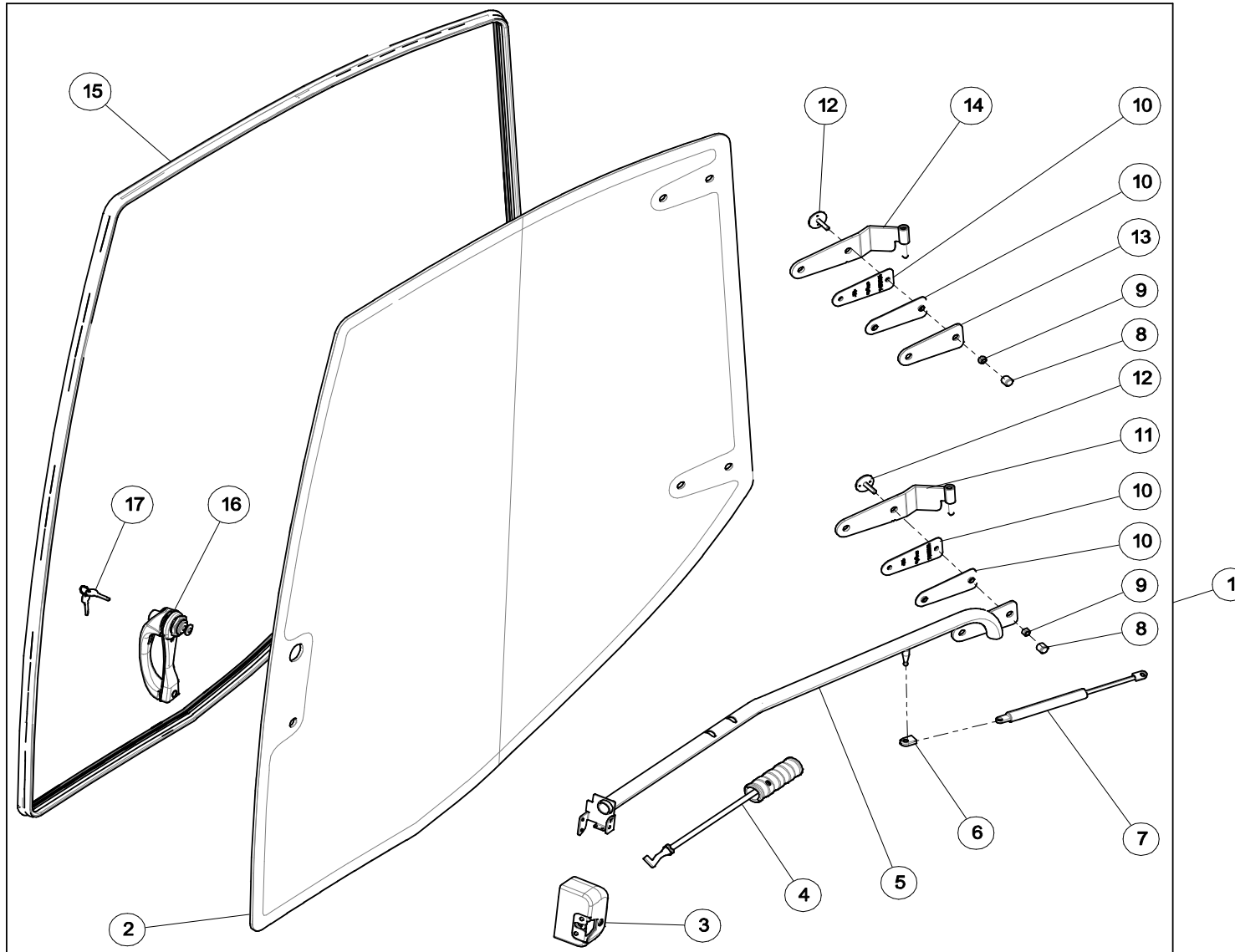


CABIN | KABINE | CABINE | KABINE
EVB021507 + EVB021508
F3/R3

KEY	PART NO.	QTY	SERIAL NO.	DESCRIPTION	BESCHREIBUNG	DESIGNATION	OMSCHRIJVING	REMARKS
1	EVA000965	1		WINDSCREEN CPL.	WINDSCHUTZSCHEIBE KPL.	PARE-BRISE CPL.	VOORRUIT KPL.	
2	EVU001314	1		GLASS,WINDSCREEN	GLAS,WINDSCHUTZSCHEIBE	VITRE,PARE-BRISE	GLAS,VOORRUIT	
3	11.32.008	14		LOCKNUT,FL	SICHERUNGSMUTTER,FL	CONTRE-ECROU,EMB	ZESK.BORGMOER,FL	ISO7043,M8-10-ZN
4	EVU001317	12		PROTECTION CAP	SCHUTZKAPPE	CAPUCHON	BESCHERMDOP	SW13
5	12.11.008	4		WASHER	UNTERLEGSCHIEBE	RONDELLE	SLUITRING	DIN125A,M8-ZN
6	EVU001353	4		WASHER HARD	SCHEIBE	RONDELLE	SLUITRING	8X35 WITH EDGE
7	EVU001352	14		WASHER SOFT	SCHEIBE	RONDELLE	SLUITRING	8X35 WITH EDGE
8	EVU001321	12		COMBINATION SCREW	KOMBISCHRAUBE	VIS COMBINEE	COMBINATIESCHROEF	M8X32
9	EVA000737	1		SEALING TRIM GLASS	KEDER GLASS	BANDE DE GARNISSAGE	RAAMRUBBER	L=3300MM
10	EVA000966	1		REAR WINDOW CPL.	HECKSCHEIBE KPL.	LUNETTE ARRIERE CPL.	ACHTERRUIT KPL.	
11	10.02.096	2		SCREW,HEX	SKT.SCHRAUBE	VIS A TETE,HEX	ZESK.TAPBOUT	DIN933,M8X50-8.8-ZN
12	EVA000733	2		HINGE WITH SPACER	SCHARNIER	CHARNIERRE	SCHARNIER	WITH SPACER
13	EVU001315	1		GLASS,REAR WINDOW	GLAS,HECKSCHEIBE	VITRE,LUNETTE ARRIERE	GLAS,ACHTERRUIT	
14	EVA000737	1		SEALING TRIM GLASS	KEDER GLASS	BANDE DE GARNISSAGE	RAAMRUBBER	L=2330MM
15	EVA000734	2		BRACKET GAS SPRING	HALTER GASFEDER	SUPPORT RESSORT DE GAZ	HOUDER GASVEER	
16	EVA000735	2		GAS SPRING	GASFEDER	RESSORT DE GAZ	GASVEER	
17	EVA000736	4		HOLDER BALL HEAD	HALTERUNG KUGELKOPF	SUPPORT TIGE,K490	HOUDER KOEGLKOP	
18	EVA000731	2		LOCK	VERSCHLUSS	FERMOIR	VERGRENDELING	WITH VENTILATION FUNCTION

CABIN | KABINE | CABINE | KABINE
EVB021507 + EVB021508
F3/R3

Serial number: - R210**X0017



CABIN | KABINE | CABINE | KABINE

EVB021507 + EVB021508

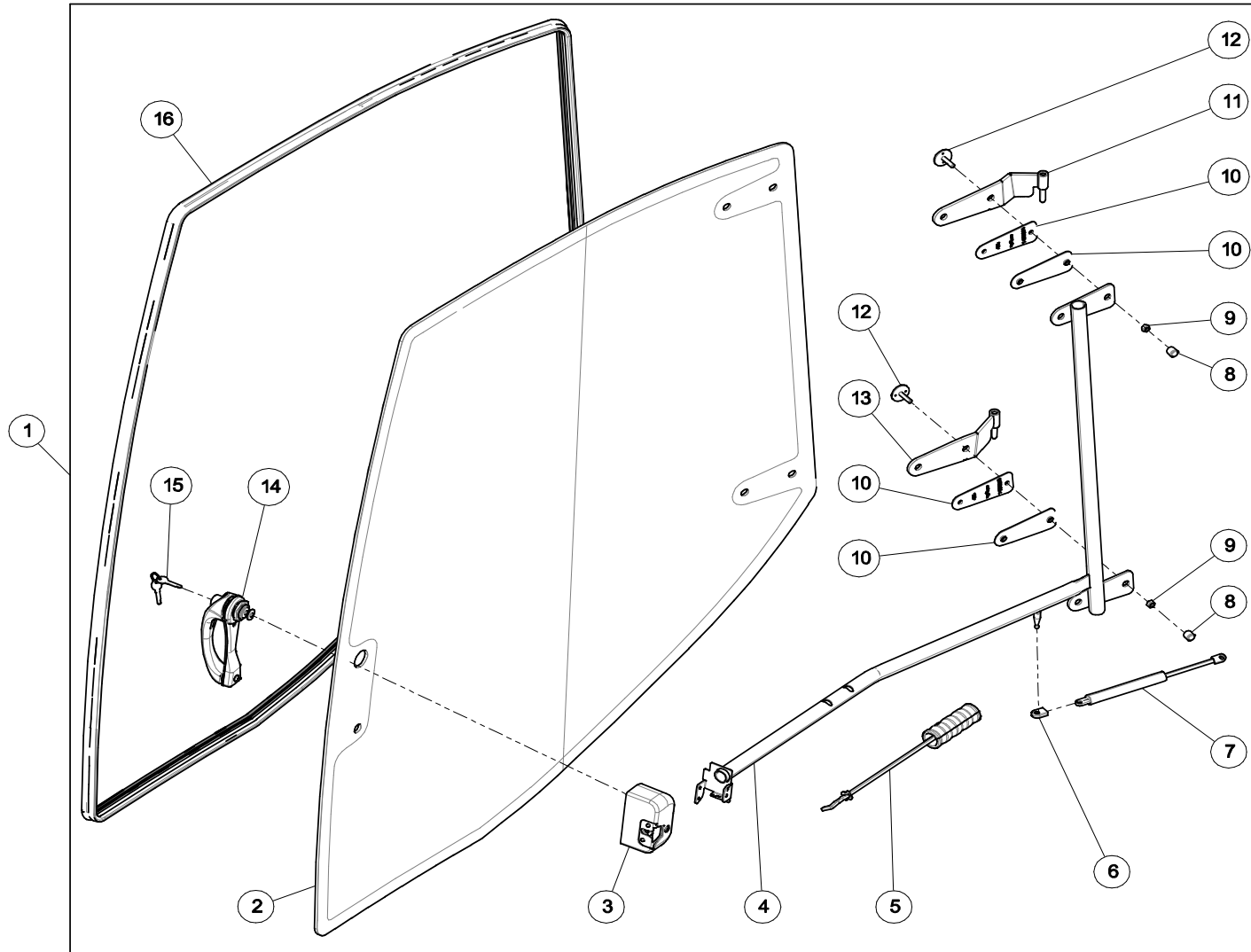
F3/R3

Serial number: - R210X0017**

KEY	PART NO.	QTY	SERIAL NO.	DESCRIPTION	BESCHREIBUNG	DESIGNATION	OMSCHRIJVING	REMARKS
1	EVA000951	1		DOOR,LEFT CPL.	TUR,LINKS KPL.	PORTE,GAUCHE CPL.	DEUR,LINKS KPL.	
1	EVA000964	1		DOOR,RIGHT CPL.	TUR,RECHTS KPL.	PORTE,DROITE CPL.	DEUR,RECHTS KPL.	
2	EVU001312	1		GLASS,DOOR LEFT	GLAS,TUR LINKS	VITRE,PORTE GAUCHE	GLAS,DEUR LINKS	
2	EVU001313	1		GLASS,DOOR RIGHT	GLAS,TUR RECHTS	VITRE,PORTE DROITE	GLAS,DEUR RECHTS	
3	EVA000748	1		DOOR SAFETY LOCK	TURSCHLOSS	SERRURE DE PORTE	DEURSLOT	LEFT
3	EVA000743	1		DOOR SAFETY LOCK	TURSCHLOSS	SERRURE DE PORTE	DEURSLOT	RIGHT
4	EVA000742	1		DOOR UNLOCKER	FERNAUSLOSEGESTANGE	DEVERROUILLAGE PORTE	DEURONTGREDELING	
5	EVA000746	1		DOOR BAR LEFT	TURBUGEL LINKS	BARRE DE PORTE GAUCHE	DEURBEUGEL LINKS	
5	EVA000739	1		DOOR BAR RIGHT	TURBUGEL RECHTS	BARRE DE PORTE DROITE	DEURBEUGEL RECHTS	
6	EVA000736	1		HOLDER BALL HEAD	HALTERUNG KUGELKOPF	SUPPORT TIGE,K490	HOUDER KOGELKOP	
7	EVA000744	1		GAS SPRING	GASFEDER	RESSORT DE GAZ	GASVEER	
8	EVU001317	4		PROTECTION CAP	SCHUTZKAPPE	CAPUCHON	BESCHERMDOP	SW13
9	11.32.008	4		LOCKNUT,FL	SICHERUNGSMUTTER,FL	CONTRE-ECROU,EMB	ZESK.BORGMOER,FL	ISO7043,M8-10-ZN
10	EVU001323	4		RUBBER STRIP	UNTERLAGSGUMMI	BANDE CAOUTCHOUC	RUBBER STRIP	
11	EVA000747	4		HINGE,DOOR LEFT	SCHARNIER,TUR LINKS	CHARNIERRE,PORTE GAUCHE	SCHARNIER,DEUR LINKS	LOWER
11	EVA000740	1		HINGE,DOOR RIGHT	SCHARNIER,TUR RECHTS	CHARNIERRE,PORTE DROITE	SCHARNIER,DEUR RECHTS	LOWER
12	EVU001321	4		COMBINATION SCREW	KOMBISCHRAUBE	VIS COMBINEE	COMBINATIESCHROEF	M8X32
13	EVU001322	2		STRIP	UNTERLAGSPLETTE	BANDE	STRIP	
14	EVA000745	4		HINGE,DOOR LEFT	SCHARNIER,TUR LINKS	CHARNIERRE,PORTE GAUCHE	SCHARNIER,DEUR LINKS	UPPER
14	EVA000738	4		HINGE,DOOR RIGHT	SCHARNIER,TUR RECHTS	CHARNIERRE,PORTE DROITE	SCHARNIER,DEUR RECHTS	UPPER
15	EVA000737	4.7		SEALING TRIM GLASS	KEDER GLASS	BANDE DE GARNISSAGE	RAAMRUBBER	L=4700MM
16	EVA000741	1		DOOR HANDLE	TURGRIFF	POIGNEE DE PORTE	DEURGREEP	
17	EVU001826	2		KEY	SCHLUSSEL	CLE	SLEUTEL	

CABIN | KABINE | CABINE | KABINE
EVB021507 + EVB021508
F3/R3

Serial number: R210**X0018 -



CABIN | KABINE | CABINE | KABINE

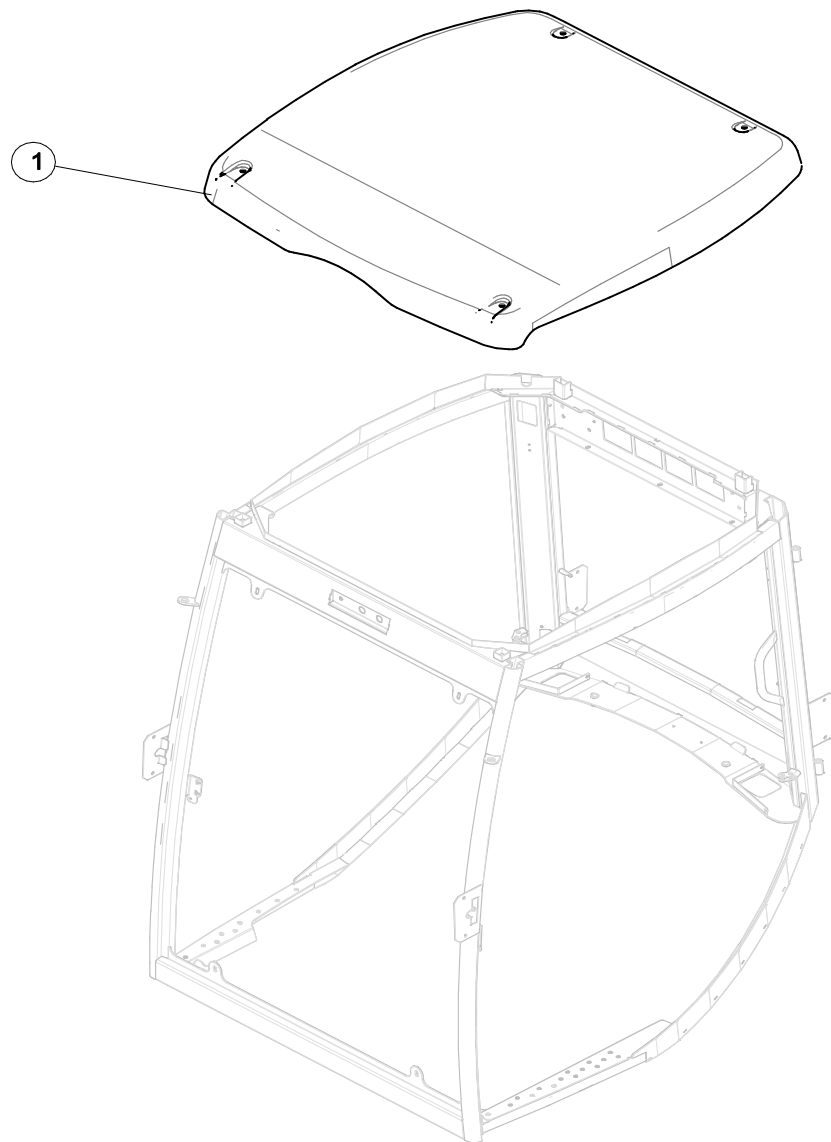
EVB021507 + EVB021508

Serial number: R210X0018 -**

F3/R3

KEY	PART NO.	QTY	SERIAL NO.	DESCRIPTION	BESCHREIBUNG	DESIGNATION	OMSCHRIJVING	REMARKS
1	EVA001324	1		DOOR,LEFT	TUR,LINKS	PORTE,GAUCHE	DEUR,LINKS	CPL.
1	EVA001325	1		DOOR,RIGHT	TUR,RECHTS	PORTE,DROITE	DEUR,RECHTS	CPL.
2	EVU001312	1		GLASS,DOOR LEFT	GLAS,TUR LINKS	VITRE,PORTE GAUCHE	GLAS,DEUR LINKS	
2	EVU001313	1		GLASS,DOOR RIGHT	GLAS,TUR RECHTS	VITRE,PORTE DROITE	GLAS,DEUR RECHTS	
3	EVA000748	1		DOOR SAFETY LOCK	TURSCHLOSS	SERRURE DE PORTE	DEURSLOT	LEFT
3	EVA000743	1		DOOR SAFETY LOCK	TURSCHLOSS	SERRURE DE PORTE	DEURSLOT	RIGHT
4	EVA001068	1		DOOR BAR LEFT	TURBUGEL LINKS	BARRE DE PORTE GAUCHE	DEURBEUGEL LINKS	
4	EVA001065	1		DOOR BAR RIGHT	TURBUGEL RECHTS	BARRE DE PORTE DROITE	DEURBEUGEL RECHTS	
5	EVA000742	1		DOOR UNLOCKER	FERNAUSLOSEGESTANGE	DEVERROUILLAGE PORTE	DEURONTGREDELING	
6	EVA000736	1		HOLDER BALL HEAD	HALTERUNG KUGELKOPF	SUPPORT TIGE,K490	HOUDER KOGELKOP	
7	EVA000744	1		GAS SPRING	GASFEDER	RESSORT DE GAZ	GASVEER	
8	EVU001317	4		PROTECTION CAP	SCHUTZKAPPE	CAPUCHON	BESCHERMDOP	SW13
9	11.32.008	4		LOCKNUT,FL	SICHERUNGSMUTTER,FL	CONTRE-ECROU,EMB	ZESK.BORGMOER,FL	ISO7043,M8-10-ZN
10	EVU001323	4		RUBBER STRIP	UNTERLAGSGUMMI	BANDE CAOUTCHOUC	RUBBER STRIP	
11	EVA001067	1		HINGE,DOOR LEFT	SCHARNIER,TUR LINKS	CHARNIERRE,PORTE GAUCHE	SCHARNIER,DEUR LINKS	UPPER
11	EVA001064	1		HINGE,DOOR RIGHT	SCHARNIER,TUR RECHTS	CHARNIERRE,PORTE DROITE	SCHARNIER,DEUR RECHTS	UPPER
12	EVU001321	4		COMBINATION SCREW	KOMBISCHRAUBE	VIS COMBINEE	COMBINATIESCHROEF	M8X32
13	EVA001069	1		HINGE,DOOR LEFT	SCHARNIER,TUR LINKS	CHARNIERRE,PORTE GAUCHE	SCHARNIER,DEUR LINKS	LOWER
13	EVA001066	1		HINGE,DOOR RIGHT	SCHARNIER,TUR RECHTS	CHARNIERRE,PORTE DROITE	SCHARNIER,DEUR RECHTS	LOWER
14	EVA000741	1		DOOR HANDLE	TURGRIFF	POIGNEE DE PORTE	DEURGREEP	
15	EVU001826	2		KEY	SCHLUSSEL	CLE	SLEUTEL	
16	EVA000737	4.7		SEALING TRIM GLASS	KEDER GLASS	BANDE DE GARNISSAGE	RAAMRUBBER	

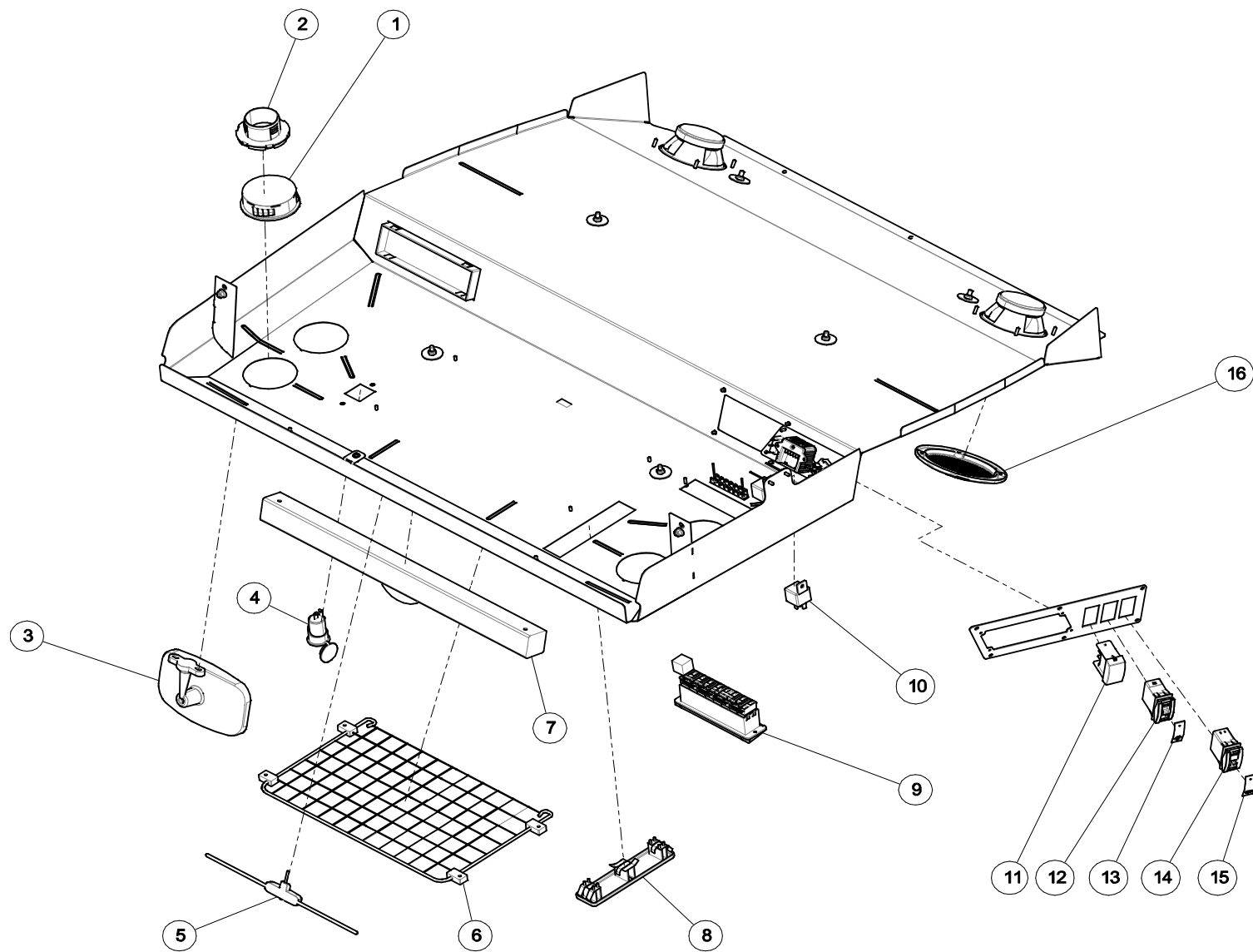
CABIN | KABINE | CABINE | KABINE
EVB021507 + EVB021508
F3/R3



CABIN | KABINE | CABINE | KABINE
EVB021507 + EVB021508
F3/R3

KEY	PART NO.	QTY	SERIAL NO.	DESCRIPTION	BESCHREIBUNG	DESIGNATION	OMSCHRIJVING	REMARKS
1	EVU001294	1		CANOPY	SCHUTZDACH	CANOPY	ZONNEKAP	

CABIN | KABINE | CABINE | KABINE
EVB021507 + EVB021508
F3/R3



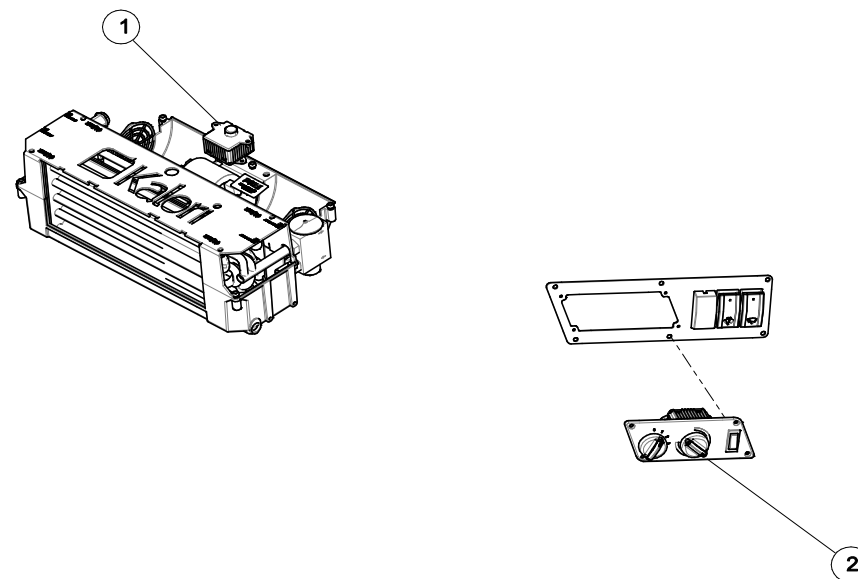
CABIN | KABINE | CABINE | KABINE
EVB021507 + EVB021508
F3/R3

KEY	PART NO.	QTY	SERIAL NO.	DESCRIPTION	BESCHREIBUNG	DESIGNATION	OMSCHRIJVING	REMARKS
1	EVU001327	1		VENTILATION NOZZLE	LUFTDUSE	GRILLE DE VENTILATION	VENTILATIEROOSTER	
2	EVU001328	1		HOSE ADAPTER	SCHLAUCHADAPTER	ADAPTATEUR DE TUYAUX	SLANGAANSLUITING	
3	EVA000752	1		REAR-VIEW MIRROR	INNENSPIEGEL	RETROVISEUR INTERIEUR	BINNENSPIEGEL	
4	EVA000750	1		CONNECTOR	STECKDOSE	BRANCHEMENT	AANSLUITING	12V
5	EVA000758	1		GLAS ANTENNA	GLASANTENNE	ANTENNE VERRE	GLASANTENNE	
6	EVA000754	1		MESH POCKET	NETZTASCHE	POCHE FILET ELASTIQUE	BAGAGENET	
7	EVA000753	1		SUN VISOR	SONNENROLLO	PARE-SOLEIL	ZONNESCHERM	
8	EVA000749	1		INTERNAL LIGHTING	EINBAU-INNENBELEUCHTUNG	ECLAIRAGE INTERIEUR	BINNENVERLICHTING	
9	EVA000751	1		FUSE BOX	SICHERUNGSKASTEN	BOITIER FUSIBLES	ZEKERINGSDOOS	
10	EVA000757	1		RELAY	RELAIS	RELAIS	RELAIS	
11	EVU001330	1		BLIND COVER	BLINDDECKEL	TOLE	AFDEKKAP	
12	EVA000813	1		SWITCH	TASTER	CONTACTEUR	SCHAKELAAR	WITH ILLUMINATION
13	EVU001356	1		SYMBOL	SYMBOL	SYMBOLE	SYMBOOL	WINDSCREEN WASHER
14	EVA000755	1		ROCKER SWITCH	WIPPSCHALTER	CONTACTEUR A BASCULE	WIPSCHAKELAAR	
15	EVU001329	1		SYMBOL	SYMBOL	SYMBOLE	SYMBOOL	WINDSCREEN WIPER
16	EVU001326	2		COVER SPEAKER	ABDECKUNG LAUTSPRECHER	COUVERCLE HAUT-PARLEUR	AFDEKKAP LUIDSPREKER	

CABIN | KABINE | CABINE | KABINE

EVB021508

F3/R3



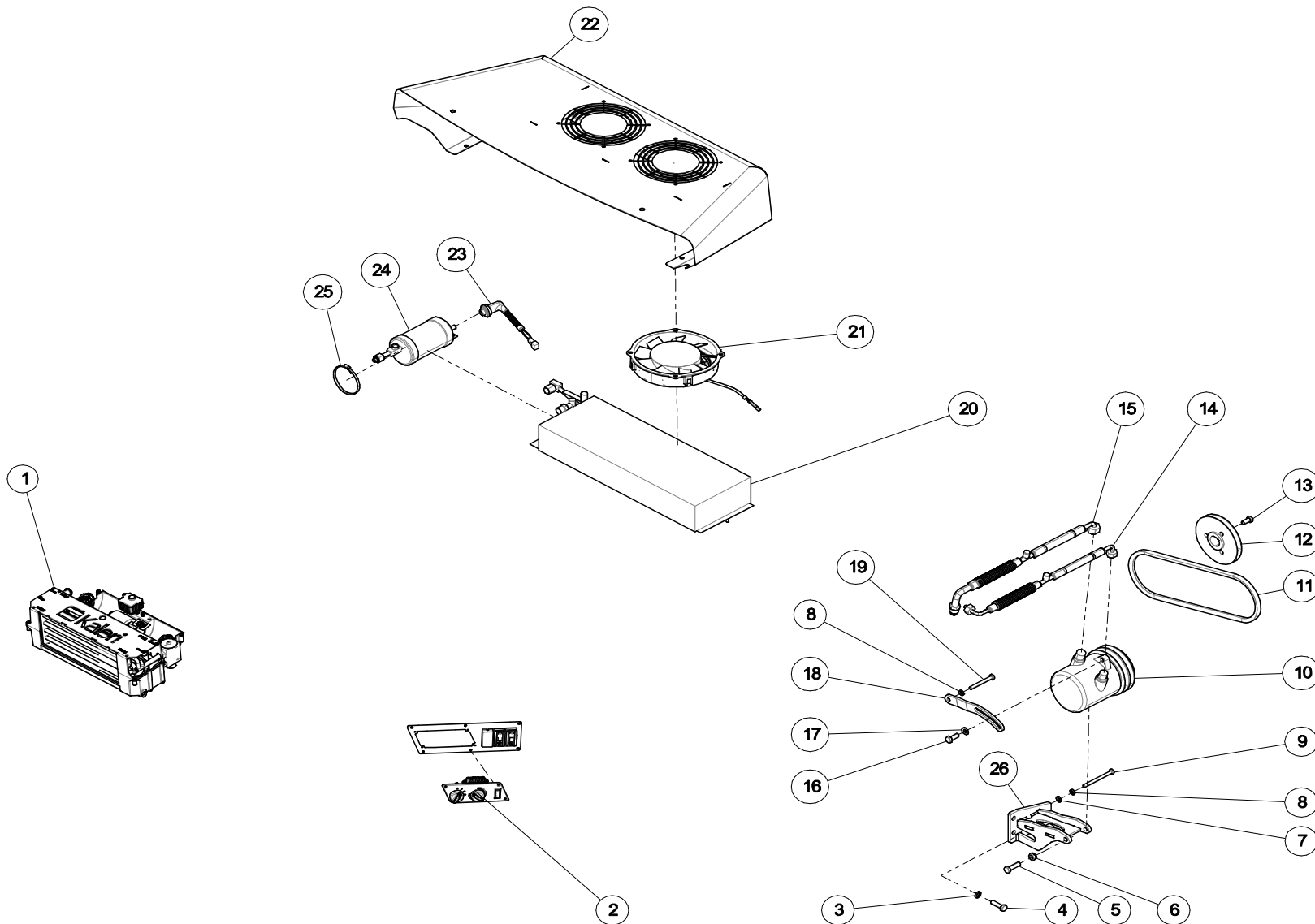
CABIN | KABINE | CABINE | KABINE
EVB021508
F3/R3

KEY	PART NO.	QTY	SERIAL NO.	DESCRIPTION	BESCHREIBUNG	DESIGNATION	OMSCHRIJVING	REMARKS
1	EVA000759	1		HEATING	HEIZUNG	CHAUFFAGE	VERWARMING	FOR HEATING
2	EVA000760	1		CONTROL PANEL	BEDIENPANEL	BOITE COMMANDE	BEDIENINGSPANEEL	

CABIN | KABINE | CABINE | KABINE

EVB021507

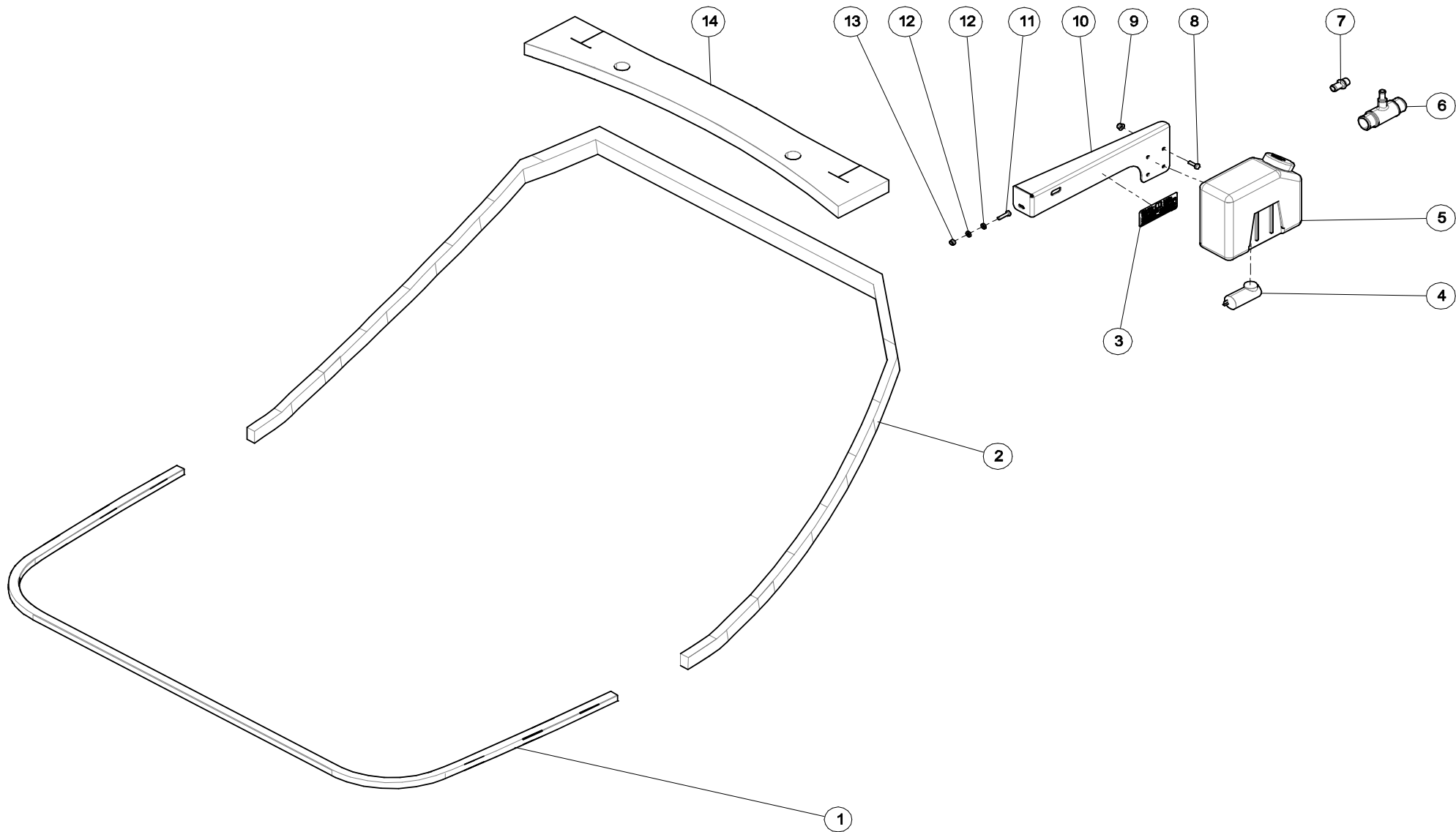
F3/R3



CABIN | KABINE | CABINE | KABINE
EVB021507
F3/R3

KEY	PART NO.	QTY	SERIAL NO.	DESCRIPTION	BESCHREIBUNG	DESIGNATION	OMSCHRIJVING	REMARKS
1	EVA000761	1		HEATING-AIRCO	HEIZUNG-KLIMAAANLAGE	CHAUFFAGE-CLIMATISEUR	VERWARMING-AIRCO	
2	EVA000762	1		CONTROL PANEL	BEDIENPANEL	BOITE COMMANDE	BEDIENINGSPANEEL	FOR AIRCO
3	12.01.010	2		WASHER,SPRING	FEDERRING	RONDELLE FREIN	VEERRING	DIN128,M10-ZN
4	10.02.122	2		SCREW,HEX	SKT.SCHRAUBE	VIS A TETE,HEX	ZESK.TAPBOUT	DIN933,M10X35-8.8-ZN
5	10.06.122	2		SCREW,HEX	SKT.SCHRAUBE	VIS A TETE,HEX	ZESK.TAPBOUT	DIN961-M10X1.25X35-8.8-ZN
6	11.06.310	2		LOCKNUT	SICHERUNGSMUTTER	CONTRE-ECROU	ZESK.BORGMOER	DIN985,M10X1.25-8-ZN
7	12.11.008	4		WASHER	UNTERLEGSCHIEBE	RONDELLE	SLUITRING	DIN125A,M8-ZN
8	12.01.008	2		WASHER,SPRING	FEDERRING	RONDELLE FREIN	VEERRING	DIN128,M8-ZN
9	10.04.104	1		SCREW,HEX	SKT.SCHRAUBE	VIS A TETE,HEX	ZESK.BOUT	DIN931,M8X100-8.8-ZN
10	EVA000773	1		AIRCO COMPRESSOR	AIRCO KOMPRESSOR	COMPRESSEUR AIRCO	AIRCO COMPRESSOR	
11	EVU001076	1		V-BELT	KEILRIEMEN	COURROIE	V-SNAAR	SPA1032
12	RBU210956	1		PULLEY	KEILRIEMENSCHIEBE	POULIE	V-SNAARSCHEIJF	
13	10.08.618	3		SCREW,SOC,FLAT	ZYL.SCHRAUBE,ISK	VIS A TETE CYL.SPC	CIL.BOUT,BZK,LAAG	DIN7984,M10X20-8.8-ZN
14	EVA000784	1		AIR CONDITIONING HOSE	KLIMASCHLAUCH	TUYAU CLIMATISEUR	AIRCO SLANG	
15	EVA000783	1		AIR CONDITIONING HOSE	KLIMASCHLAUCH	TUYAU CLIMATISEUR	AIRCO SLANG	
16	10.06.120	1		SCREW,HEX	SKT.SCHRAUBE	VIS A TETE,HEX	ZESK.TAPBOUT	DIN961-M10X1.25X25-8.8-ZN
17	12.05.510	1		WASHER	UNTERLEGSCHIEBE	RONDELLE	SLUITRING	DIN7349,M10-ZN
18	EVU001054	1		BRACKET	KONSOLE	SUPPORT	HOUDER	
19	10.04.100	1		SCREW,HEX	SKT.SCHRAUBE	VIS A TETE,HEX	ZESK.BOUT	DIN931,M8X70-8.8-ZN
20	EVA000763	1		CONDENSOR	VERFLUSSIGER	CONDENSEUR	CONDENSOR	
21	EVA000768	1		FAN	VENTILATOR	VENTILATEUR	VENTILATOR	
22	EVA000767	1		COVER	ABDECKUNG	COUVERCLE	AFDEKKAP	
23	EVA000766	1		PUSH BUTTON FOR AIRCO	DRUCKSCHALTER FUR KLIMA	BOUTON POUR CLIMATISEUR	DRUKKNOP VOOR AIRCO	
24	EVA000764	1		DRYER	TROCKNER	SECHOIR	DROGER	
25	EVA000765	1		HOSE CLIP	SCHLAUCHSCHELLE	COLLIER DE SERRAGE	SLANGKLEM	77-90
26	EVA000559	1		BRACKET COMPRESSOR	KONSOLE KOMPRESSOR	SUPPORT COMPRESSEUR	HOUDER COMPRESSOR	

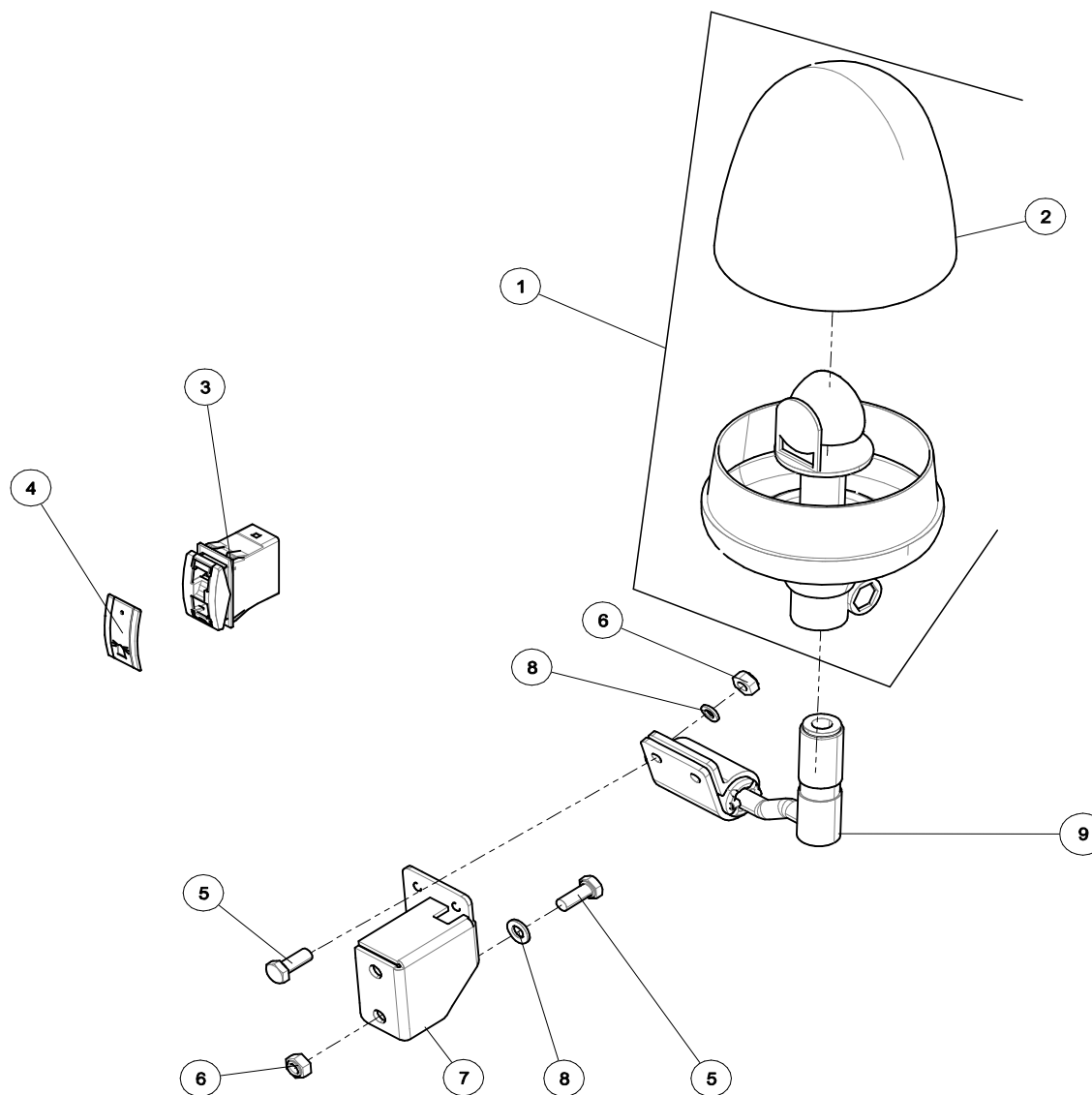
CABIN | KABINE | CABINE | KABINE
EVB021507 + EVB021508
F3/R3



CABIN | KABINE | CABINE | KABINE
EVB021507 + EVB021508
F3/R3

KEY	PART NO.	QTY	SERIAL NO.	DESCRIPTION	BESCHREIBUNG	DESIGNATION	OMSCHRIJVING	REMARKS
1	EVU001336	1		SEAL FRONT	DICHTBAND VORNE	JOINT AVANT	KANTPROFIEL VOORZIJDE	
2	EVU001337	1		SEAL BACK	DICHTBAND HINTEN	JOINT ARRIERE	KANTPROFIEL ACHTERZIJDE	
3	EVU000735	1		LABEL,F-GAS	AUFKLEBER,F-GAS	AUTOCOLLANT,F-GAS	STICKER,F-GAS	
4	EVA000786	1		PUMP	PUMPE	POMPE	POMP	WINDOW WASHER
5	EVA000772	1		RESERVOIR	BEHAELTER	RESERVOIR	RESERVOIR	WINDSCREEN WIPER FLUID
6	EVU001332	1		T PIECE	T STUECK	RACCORD EN T	T STUK	
7	EVU001333	1		HOSE CONNECTION	ANSCHLUSSSTUETZEN	MAMELON	AANSLUITNIPPEL	
8	10.02.063	2		SCREW,HEX	SKT.SCHRAUBE	VIS A TETE,HEX	ZESK.TAPBOUT	DIN933,M6X20-8.8-ZN
9	11.32.006	2		LOCKNUT,FL	SICHERUNGSMUTTER,FL	CONTRE-ECROU,EMB	ZESK.BORGMOER,FL	ISO7043,M6-10-ZN
10	EVU001059	1		PLATE	PLATTE	PLAQUE	PLAAT	
11	10.02.065	1		SCREW,HEX	SKT.SCHRAUBE	VIS A TETE,HEX	ZESK.TAPBOUT	DIN933,M6X25-8.8-ZN
12	12.11.006	2		WASHER	UNTERLEGSCHIEBE	RONDELLE	SLUITRING	DIN125A,M6-ZN
13	11.05.006	1		LOCKNUT	SICHERUNGSMUTTER	CONTRE-ECROU	ZESK.BORGMOER	DIN985,M6-8-ZN
14	EVU001338	1		ACOUSTIC INSULATION	GERAUSCHDAMMUNG	ISOLATION ACOUSTIQUE	GELUIDSISOLATIE	

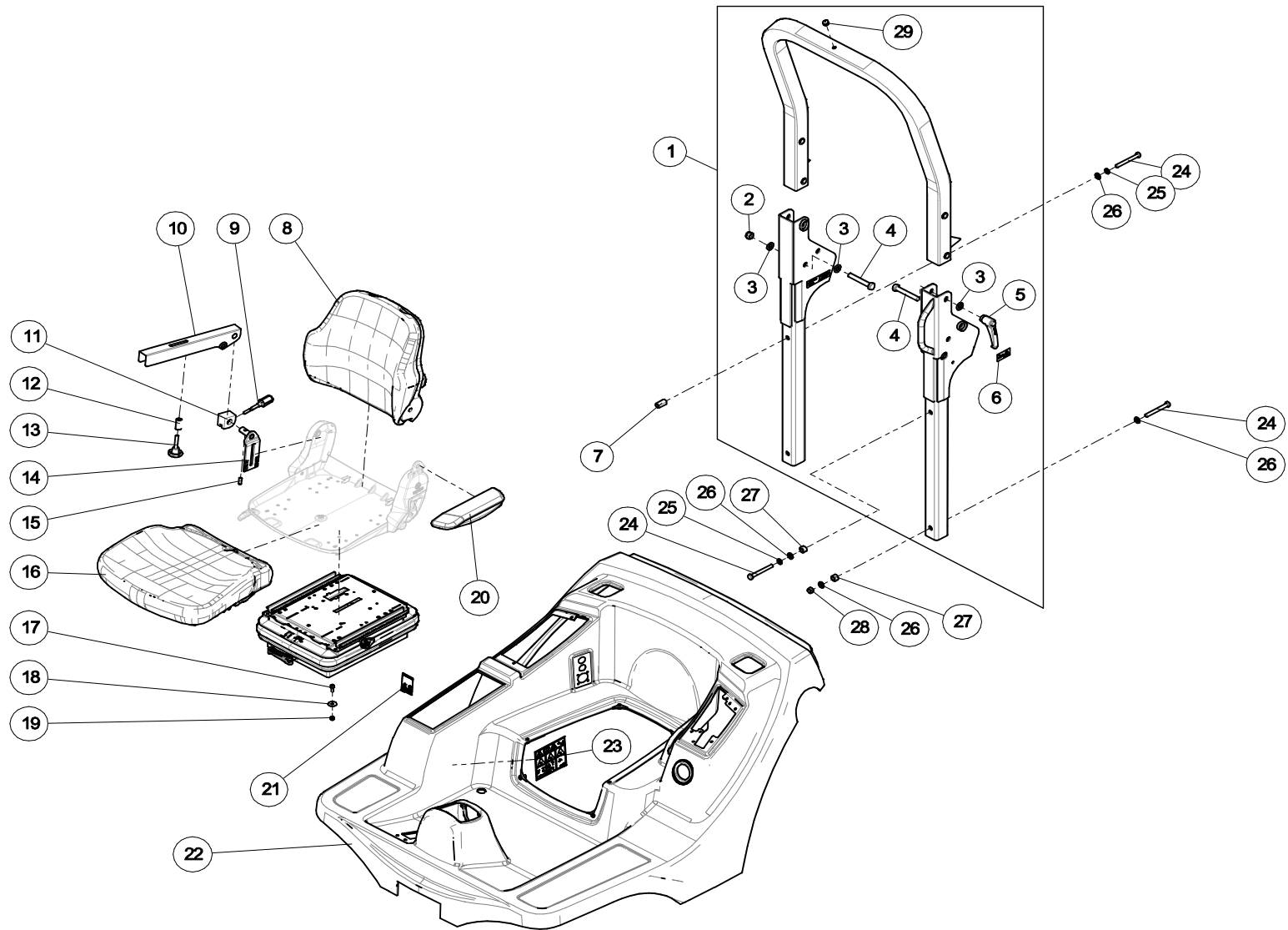
CABIN | KABINE | CABINE | KABINE
EVB021507 + EVB021508
F3/R3



CABIN | KABINE | CABINE | KABINE
EVB021507 + EVB021508
F3/R3

KEY	PART NO.	QTY	SERIAL NO.	DESCRIPTION	BESCHREIBUNG	DESIGNATION	OMSCHRIJVING	REMARKS
1	RBC030498	1		ROTATING LIGHT	RUNDUMLEUCHTE	AVERTISSANT	ZWAAILAMP	
2	EVU001339	1		LENS	LICHTSCHEIBE	CABOCHON	GLASKAP	
3	EVA000756	1		ROCKER SWITCH	WIPPSCHALTER	CONTACTEUR A BASCULE	WIPSCHAKELAAR	
4	EVU001349	1		SYMBOL,ROTATING LIGHT	SYMBOL,RUNDUMLEUCHTE	SYMBOLE,GYROPHARE	SYMBOOL,ZWAAILICHT	
5	10.02.089	4		SCREW,HEX	SKT.SCHRAUBE	VIS A TETE,HEX	ZESK.TAPBOUT	DIN933,M8X20-8.8-ZN
6	11.32.008	4		LOCKNUT,FL	SICHERUNGSMUTTER,FL	CONTRE-ECROU,EMB	ZESK.BORGMOER,FL	ISO7043,M8-10-ZN
7	EVU001340	1		SUPPORT	HALTER	CABOCHON	HOUDER	NOT FOR AIRCO VERSION
8	12.11.008			WASHER	UNTERLEGSCHIEBE	RONDELLE	SLUITRING	DIN125A,M8-ZN
9	RBC046809	1		SUPPORT	STUETZE	SUPPORT	HOUDER	

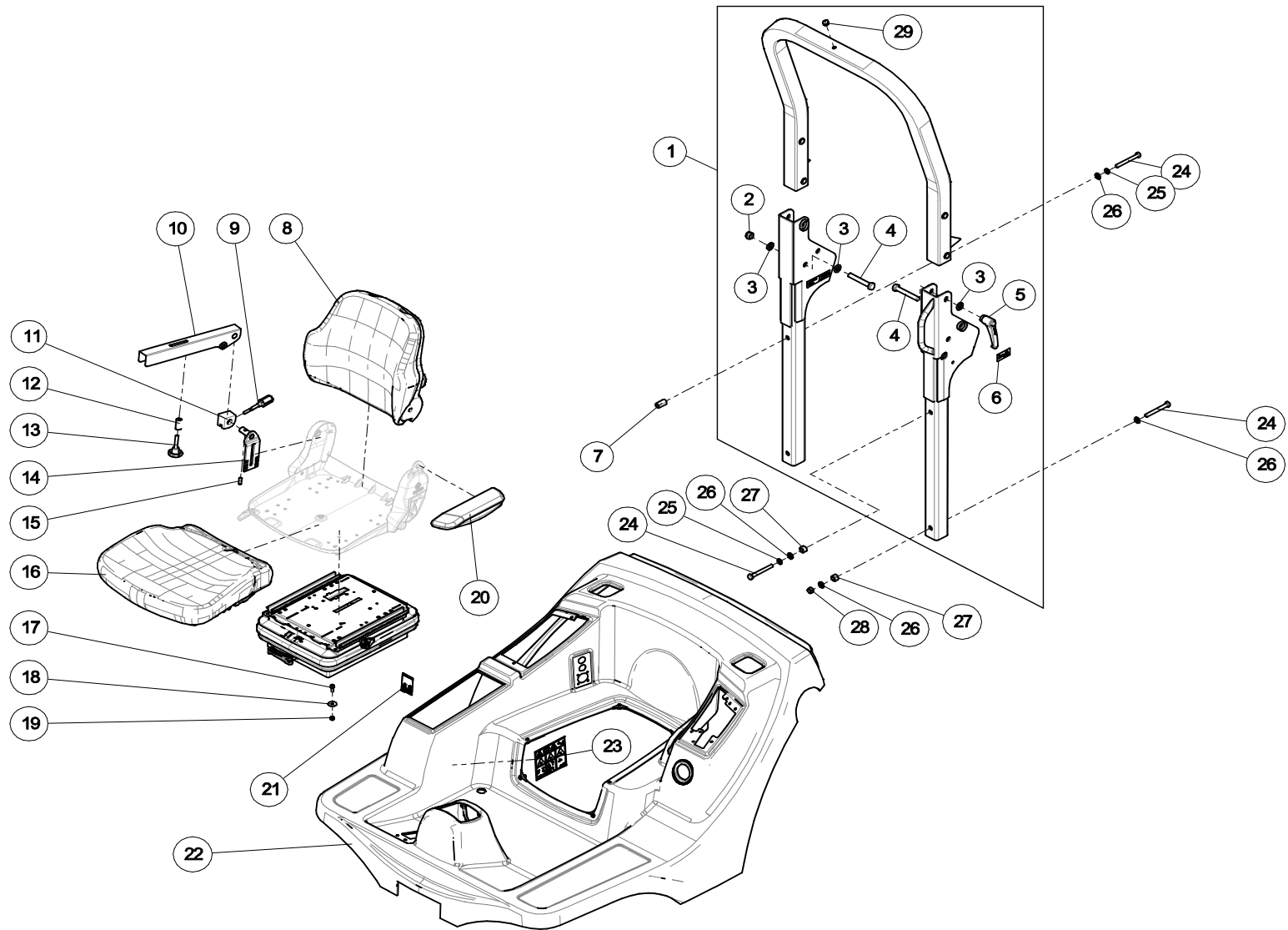
ROPS | ROPS | ROPS | ROPS
EVB021509
F3/R3



ROPS | ROPS | ROPS | ROPS
EVB021509
F3/R3

KEY	PART NO.	QTY	SERIAL NO.	DESCRIPTION	BESCHREIBUNG	DESIGNATION	OMSCHRIJVING	REMARKS
1	EVA000141	6		ROPS CPL	ROPS KPL	ROPS CPL	ROPS KPL	
2	11.05.016	2		LOCKNUT	SICHERUNGSMUTTER	CONTRE-ECROU	ZESK.BORGMOER	DIN985,M16-8-ZN
3	12.11.016	6		WASHER	UNTERLEGSCHIEBE	RONDELLE	SLUITRING	DIN125A,M16-ZN
4	10.04.216	4		SCREW,HEX	SKT.SCHRAUBE	VIS A TETE,HEX	ZESK.BOUT	DIN931,M16X100-8.8-ZN
5	EVA000266	2		HANDLE,ROPS	HEBEL,ROPS	LEVIER,ROPS	HENDEL,ROPS	
6	EVU000547	2		DECAL	AUFKLEBER	AUTOCOLLANT	STICKER	ROPS WARNING
7	11.15.012	1		COUPLING NUT	VERBINDUNGSMUTTER	ECROU COUPLER	VERBINDINGSMOER	DIN6334,M12-3XD-6-ZN
8	EVA000990	1		CUSHION,SEAT BACK	POLSTER,RÜCKLEHNE	COUSSIN,DOSSIER	KUSSEN,RUGLEUNING	
8.1	EVA000991	1		SEAT BACK EXTENSION	RUECKENVERLANGERUNG	EXTENSION DOSSIER	RUGLEUNINGVERLENGING	
9	RBU210645	1		STAR KNOB	DREIKANTGRIFF	POIGNEE-ETOILLE	STERKNOP	
10	RBA210255	1		CHANNEL	U-PROFIL	PROFILE EN U	U-PROFIEL	
11	RBU210647	1		SUPPORT	HALTER	SUPPORT	INLEGBLOK	
12	EVU000987	1		SPACER	DISTANZBUECHSE	ENTRETOISE	AFSTANDBUS	20X4X39MM
13	RBU210648	1		STAR KNOB	DREIKANTGRIFF	POIGNEE-ETOILE	STERKNOP	
14	EVA000490	1		PIVOT,CONTROL ARM	HALTER,ARMLEHNE	SUPPORT,ACCOUDOIR	HOUDER,ARMLEUNING	
15	10.60.620	1		SET SCREW	GEWINDESTIFT,SCHLITZ	VIS TETE FRAISEE	STELSCHROEF	DIN427,M10X25-22H-ZN
16	EVA000989	1		SEAT PAD	SITZPOLSTER	ASSISE DE SIEGE	ZITKUSSEN	
17	10.28.089	4		SCREW,SOC	ZYL.SCHRAUBE,ISK	VIS A TETE CYL.SPC	CIL.BOUT,BZK	DIN912,M8X1.25X20-8.8-ZN
18	12.15.008	4		MUDGUARD WASHER	KOTFLUGELSCHEIBE	RONDELLE DE CARROSSERIE	CARROSSERIERING	M8X30X1.5 ZN
19	11.05.008	4		LOCKNUT	SICHERUNGSMUTTER	CONTRE-ECROU	ZESK.BORGMOER	DIN985,M8-8-ZN
20	EVA000988	1		ARMREST	ARMLEHNE	ACCOUDOIR	ARMLEUNING	LEFT
21	EVU000999	1		DECAL	AUFKLEBER	AUTOCOLLANT	STICKER	TYRE PRESSURE ROPS
22	EVA000146	1		PLATFORM,CPL.	PLATFORM KPL.	PLATE-FORM CPL.	VOETKUIP KPL.	ROPS
23	EVU001020	1		DECAL	AUFKLEBER	AUTOCOLLANT	STICKER	ALERTS ROPS
24	10.04.165	4		SCREW,HEX	SKT.SCHRAUBE	VIS A TETE,HEX	ZESK.BOUT	DIN931,M12X100-8.8-ZN

ROPS | ROPS | ROPS | ROPS
EVB021509
F3/R3

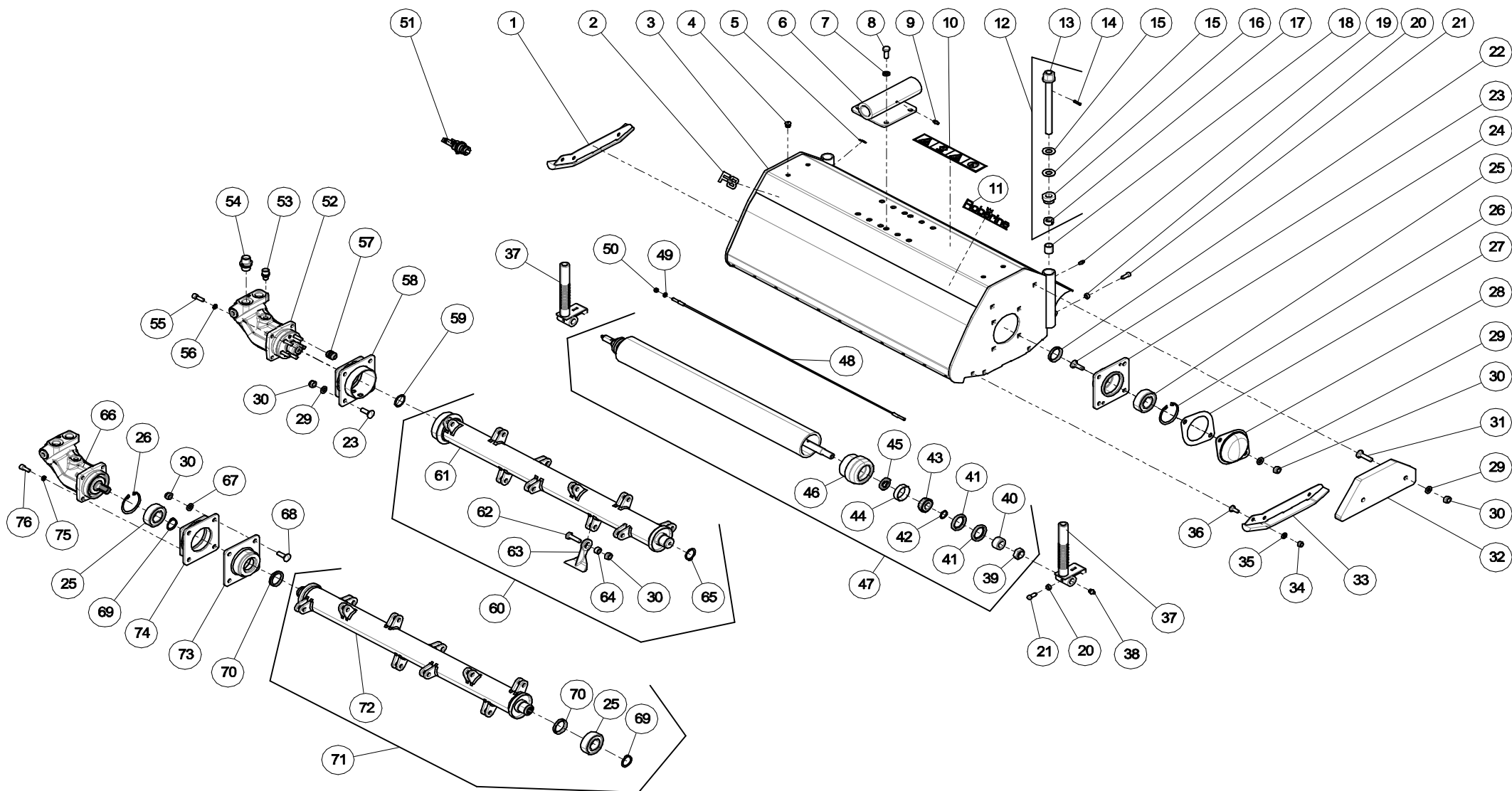


ROPS | ROPS | ROPS | ROPS
EVB021509
F3/R3

KEY	PART NO.	QTY	SERIAL NO.	DESCRIPTION	BESCHREIBUNG	DESIGNATION	OMSCHRIJVING	REMARKS
25	12.01.012	2		WASHER,SPRING	FEDERRING	RONDELLE FREIN	VEERRING	DIN128,M12-ZN
26	12.11.012	6		WASHER	UNTERLEGSCHIEBE	RONDELLE	SLUITRING	DIN125A,M12-ZN
27	RBU210168	3		SPACER	DISTANZBUECHSE	ENTRETOISE	AFSTANDBUS	
28	11.05.012	2		LOCKNUT	SICHERUNGSMUTTER	CONTRE-ECROU	ZESK.BORGMOER	DIN985,M12-8-ZN
29	EVU000760	1		TULLE	TULL	TULLES	TULE	
	EVA000379	1		SEAT	SITZ	SIEGE	STOEL	ROPS ONLY

FLAIL UNITS | SCHLEGELUNITS | ELEMENT DE COUPE FLEAUX | KLEPELUNITS
EVB021511

F3

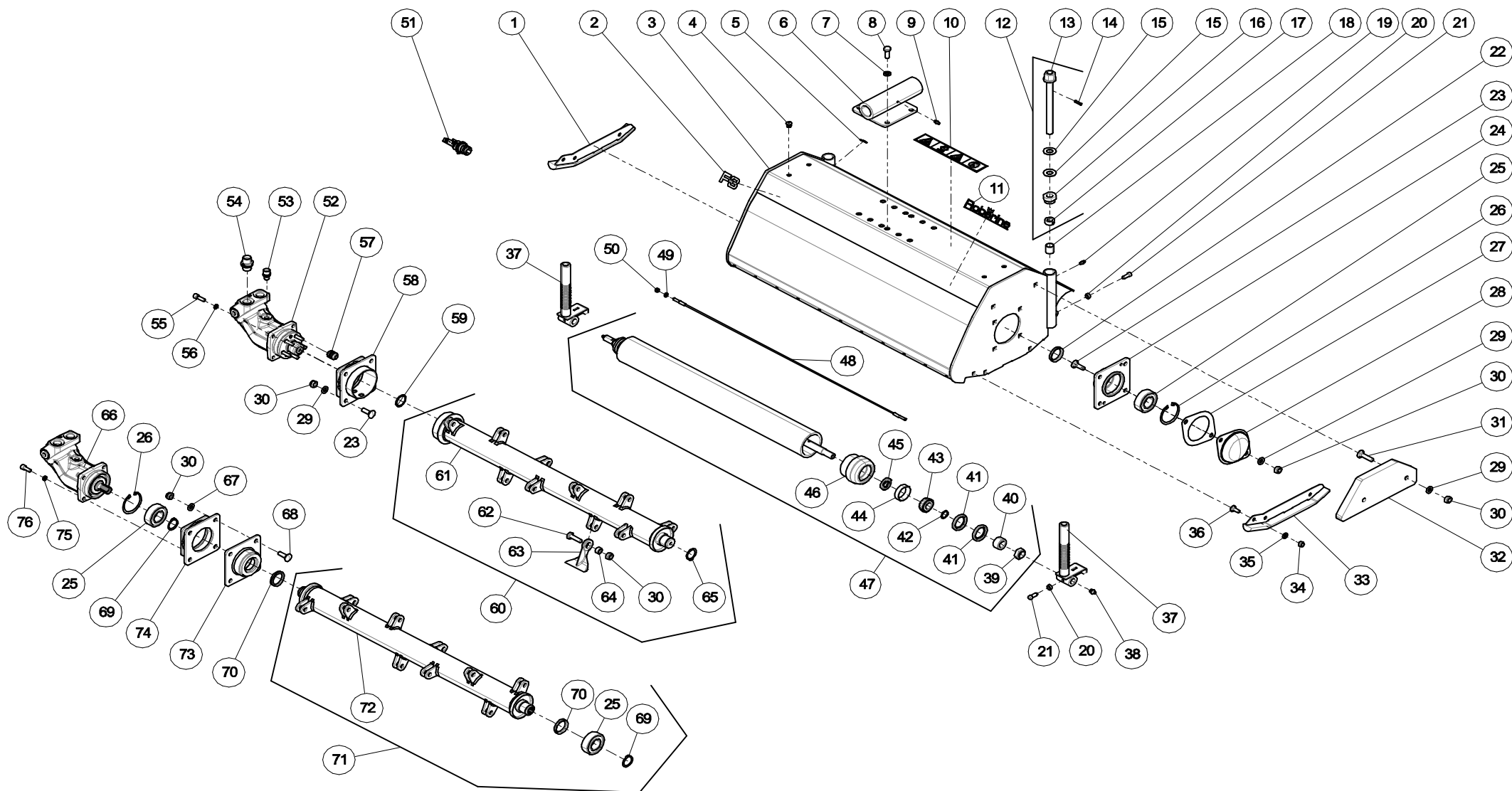


FLAIL UNITS | SCHLEGELUNITS | ELEMENT DE COUPE FLEAUX | KLEPELUNITS
EVB021511
F3

KEY	PART NO.	QTY	SERIAL NO.	DESCRIPTION	BESCHREIBUNG	DESIGNATION	OMSCHRIJVING	REMARKS
1	EVA000143	1		SKID	GLEITKUFE	SABOT	GLIJSLOF	RIGHT
2	EVU000995	1		DECAL	AUFKLEBER	AUTOCOLLANT	STICKER	"F3"
3	EVA000077	1		CUTTING HEAD	MAEHGEHAUSE	CARTER BROYAGE	MAAIKAP	LEFT, CENTER, RIGHT
4	RBC043153	8		STOPPER PLUG	STOPFEN	BOUCHON D'OBTURATION	STOP	SFL15
5	EVU000990	2		DECAL	AUFKLEBER	AUTOCOLLANT	STICKER	CUTTING HEIGHT ADJUSTEMENT
6	EVA001262	1		PIVOT	AUFHANGUNG	SUPPORT	OPHANGING	
7	12.01.010	4		WASHER,SPRING	FEDERRING	RONDELLE FREIN	VEERRING	DIN128,M10-ZN
8	10.02.120	8		SCREW,HEX	SKT.SCHRAUBE	VIS A TETE,HEX	ZESK.TAPBOUT	DIN933,M10X25-8.8-ZN
9	20.03.001	1		GREASE ZERK	SCHMIERNIPPEL	GRAISSEUR	SMEERNIPPEL	DIN71412,M6X1-H1
10	EVU000989	1		DECAL	AUFKLEBER	AUTOCOLLANT	STICKER	DANGER (CUTTING UNIT)
11	EVU000985	1		DECAL	AUFKLEBER	AUTOCOLLANT	STICKER	"ROBERINE"
12	EGA210098	1		ADJUSTING SCREW	STELLSCHRAUBE	EMBOUT DE REGLAGE	STELSCHROEF	CPL.
13	EVA000305	1		HEIGHT ADJUST SCREW	HOHENVERSTELLBOLZEN	ECROU REGLAGE HAUTE	HOOGTEVERSTELBOUT	
14	14.09.022	2		SPRING PIN	SPANNSTIFT	GOUPILLON ELASTIQUE	SPANBUS	5X22 DIN1481
15	12.40.015	4		DISC SPRING	TELLERFEDER	RONDELLE BELLEVILLE	SCHOTELVEER	DIN2093-A,31.5X16.3X1.75-ST
16	EGU210053	2		ADJUSTING NUT	EINSTELLMUTTER	ECROU DE REGLAGE	STELRING	
17	EGU210054	2		RETAINING RING	STELLRING	BAQUE DE REGLAGE	OPSLUITRING	
18	EVU001063	2		BUSHING	BUECHSE	BAGUE	BUS	20X1.5X21.5
19	20.03.001	1		GREASE ZERK	SCHMIERNIPPEL	GRAISSEUR	SMEERNIPPEL	DIN71412,M6X1-H1
20	11.02.008	4		NUT,HEX	MUTTER,HEX	ECROU,HEX	ZESK.MOER	DIN934,M8-8-ZN
21	10.60.089	4		SET SCREW,SQ	VIERKANTSCHRAUBE	VIS TETE CARREE	VIERK.STELBOUT,BZK	DIN479,M8X20-8.8-ZN
22	EGU210097	1		V-RING	V-RING	ANNEAU	V-RING	VA0035
23	10.14.121	4		BOLT,RH,SQNECK	FLACHRUNDSCHRAUBE	VIS A TETE BOMBEE	SLOTBOUT	DIN603,M10X30-8.8-ZN
24	EVA000080	1		BEARING HOUSING	LAGERGEHAEUSE	PALIER PARLE-COUTEAU	LAGERHUIS	
25	RBC031677	1		BEARING	LAGER	DEMI-COUSSINET	LAGER	2206-2RS

FLAIL UNITS | SCHLEGELUNITS | ELEMENT DE COUPE FLEAUX | KLEPELUNITS
EVB021511

F3



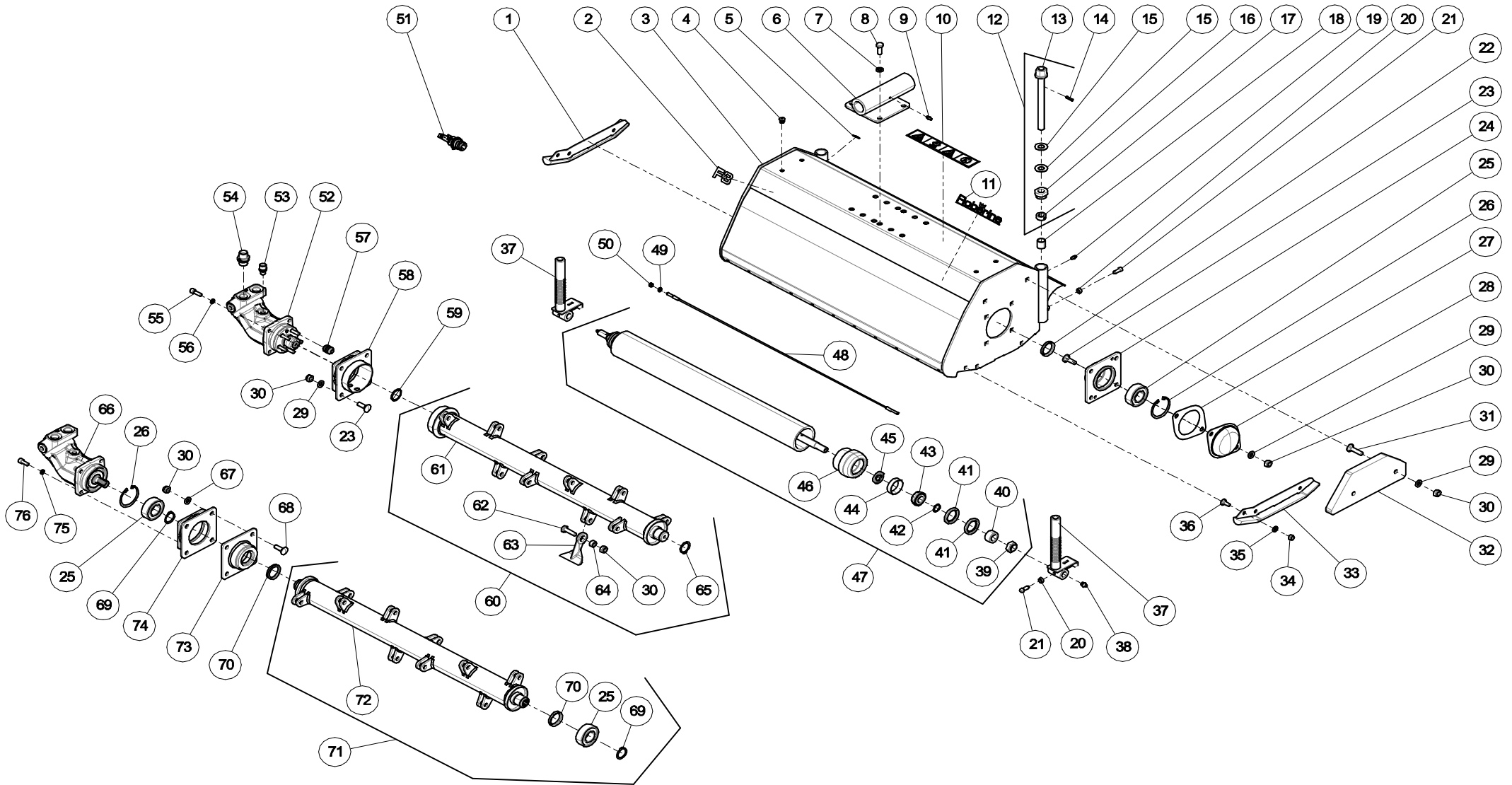
FLAIL UNITS | SCHLEGELUNITS | ELEMENT DE COUPE FLEAUX | KLEPELUNITS
EVB021511
F3

KEY	PART NO.	QTY	SERIAL NO.	DESCRIPTION	BESCHREIBUNG	DESIGNATION	OMSCHRIJVING	REMARKS
26	12.31.062	1		SNAP RING	SICHERUNGSRING	CIRCLIP,ALESAGES	BORGRING,BORING	DIN472,J62X2
27	EVU000184	1		SEAL	DICHTUNG	JOINT	PAKKING	
28	EVA000138	1		BEARING END COVER	LAGERENDDECKEL	COUVERCLE BORGNE	LAGEREINDAFDEKKING	
29	12.11.010	10		WASHER	UNTERLEGSCHIEBE	RONDELLE	SLUITRING	DIN125A,M10-ZN
30	11.05.010	16		LOCKNUT	SICHERUNGSMUTTER	SICHERUNGSMUTTER	ZESK.BORGMOER	DIN985,M10-8-ZN
31	10.14.123	2		BOLT,RH,SQNECK	FLACHRUNDSCHRAUBE	VIS A TETE BOMBEE	SLOTBOUT	DIN603,M10X40-8.8-ZN
32	EVU000859	1		COUNTERWEIGHT	GEGENGEWICHT	CONTREPOIDS	CONTRAGEWICHT	
33	EVA000142	1		SKID	GLEITKUFE	SABOT	GLIJSLOF	LEFT
34	11.05.008	6		LOCKNUT	SICHERUNGSMUTTER	CONTRE-ECROU	ZESK.BORGMOER	DIN985,M8-8-ZN
35	12.11.008	6		WASHER	UNTERLEGSCHIEBE	RONDELLE	SLUITRING	DIN125A,M8-ZN
36	10.15.089	6		BOLT,RH,SQNECK	FLACHRUNDSCHRAUBE	VIS A TETE BOMBEE	SLOTBOUT	DIN603,M8X20-8.8-ZN
37	EVA000144	2		HEIGHT ADJUSTER	HOHENVERSTELLUNG	REGLAGE EN HAUTEUR	HOOGTEVERSTELLING	
38	20.03.006	2		GREASE ZERK	SCHMIERNIPPEL	GRAISSEUR	SMEERNIPPEL	DIN71412,M10X1-H1
39	EGU210047	2		STOP NUT	VERSCHLUSSMUTTER	COUVERCLE DE FERMETURE	AFSLUITMOER	3/4-16 UNF-3B
40	EGU210048	2		SLEEVE	MANCHETTE	MANCHETTE	MANCHET	
41	EGU210049	4		OIL SEAL	DICHTRING	JOINT A LEVRE,HUILE	AFDICHTINGSRING,OLIE	SKF CR5300011-75
42	EGU210052	2		O-RING	O-RING	O-RING	O-RING	NBR90
43	EGU210050	2		CONE	KONUS	CONE	CONUS	SKF LM11949
44	EGU210051	2		BEARING CUP	KEGELLAGER-AUSSENRING	CUVETTE DE ROULEMENT	KEGELLAGER BUITENRING	SKF LM11910
45	EGU210046	2		OIL SEAL	DICHTRING	JOINT A LEVRE,HUILE	KEERRING,OLIE	SKF CR543656
47	EGA210097	1		ROLLER,30"	ROLLE,30"	GALET,30"	STEUNROL,30"	
48	RBC200077	1		SCRAPER	ABSTREIFER	RACLOIR	SCHRAPER	
49	12.11.006	1		WASHER	UNTERLEGSCHIEBE	RONDELLE	SLUITRING	DIN125A,M6-ZN
50	11.05.006	1		LOCKNUT	SICHERUNGSMUTTER	CONTRE-ECROU	ZESK.BORGMOER	DIN985,M6-8-ZN
51	EVA000596	1		SCREW CONNECTOR	SCHRAUBANSCHLUSS	CONNECTEUR A VIS	SCHROEFCONNECTOR	FLAIL CUTTING UNITS ONLY

FLAIL UNITS | SCHLEGELUNITS | ELEMENT DE COUPE FLEAUX | KLEPELUNITS

EVB021511

F3



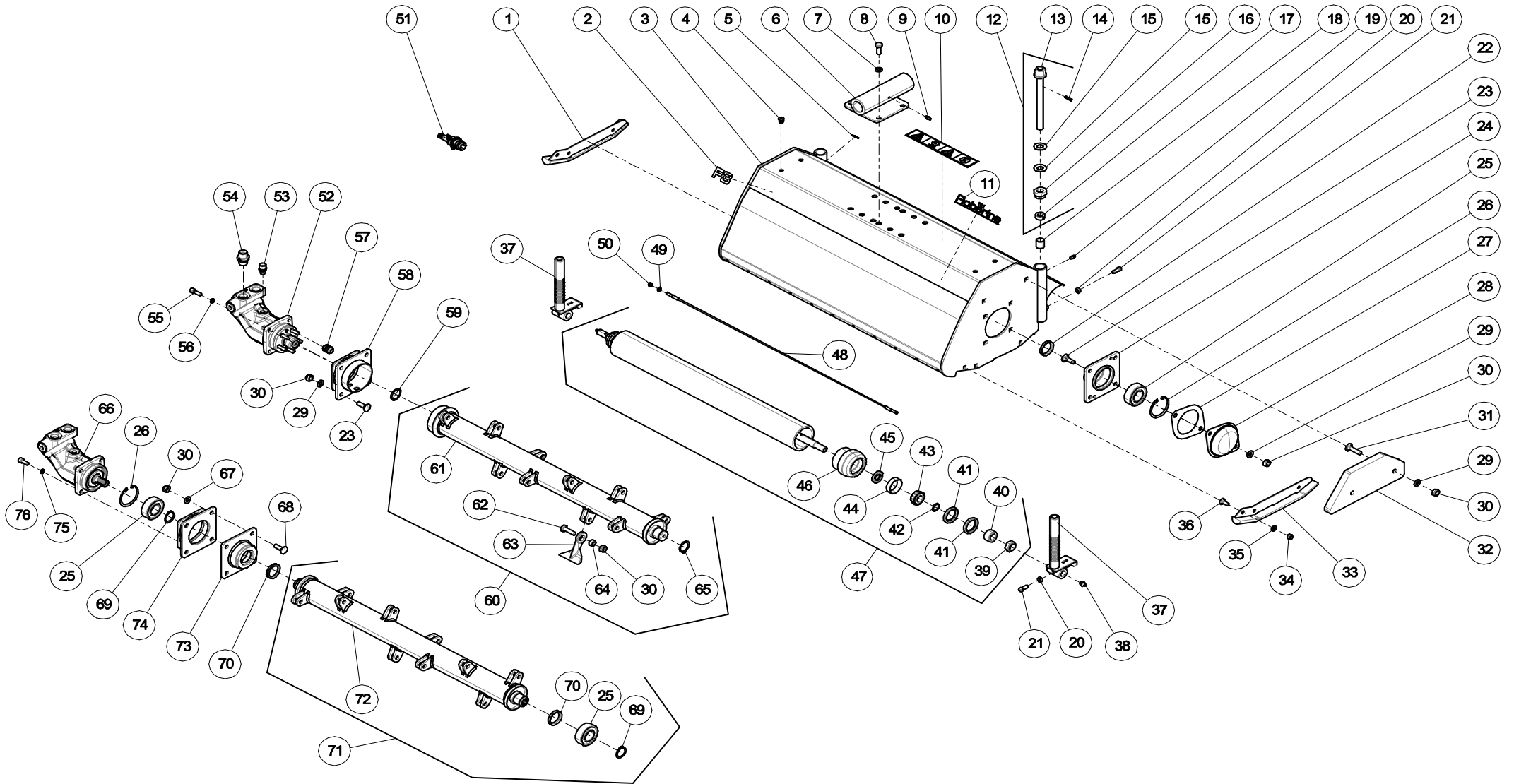
FLAIL UNITS | SCHLEGELUNITS | ELEMENT DE COUPE FLEAUX | KLEPELUNITS
EVB021511
F3

KEY	PART NO.	QTY	SERIAL NO.	DESCRIPTION	BESCHREIBUNG	DESIGNATION	OMSCHRIJVING	REMARKS
52	EVA001330	2	R210FLT002-	MOWING MOTOR	MAEHMOTOR	MOTEUR FAUCHAGE	MAAIMOTOR	LEFT, CENTER WITH HUB
52	EVA001329	1	R210FLT002-	MOWING MOTOR	MAEHMOTOR	MOTEUR FAUCHAGE	MAAIMOTOR	RIGHT, WITH HUB
52.1	EVU000757	1		O-RING	O-RING	JOINT TORIQUE	O-RING	52,07X2,62
52.2	EVU000758	1		O-RING	O-RING	JOINT TORIQUE	O-RING	18,72X2,62
52.3	EVU000759	1		O-RING	O-RING	JOINT TORIQUE	O-RING	64,77X2,62
52.4	EVA000983	1		SEALING RING	DICHTUNG	BAQUE-JOINT	AFDICHTINGSRING	28X40X6/5
52.5	15.05.032	1	R210FLT002-	KEY	KEIL	CLAVETTE	SPIE	6X6X32 DIN6885A
53	RBC047966	1		FITTING	FITTING	RACCORD	NIPPEL	GE12LM12X1,5EDOMD CF
54	RBC203973	2		FITTING	FITTING	RACCORD	NIPPEL	GE15LM22X1.5EDOMD CF
55	10.28.091	4	R210FLT002-	SCREW,SOC	ZYL.SCHRAUBE,ISK	VIS A TETE,CYL.SPC	CIL.BOUT,BZK	DIN912,M8X25-8.8-ZN
56	12.01.208	4	R210FLT002-	SPRING WASHER	FEDERRING	RONDELLE GROWER	VEERRING	A8MM DIN7980 ZN
57	EVU001067	5	R210FLT002-	COUPLER SHEATH	KUPPLUNGSHUELSE	GAIN EMBRAYAGE	KOPPELINGSHULS	
58	EVA000562	1	R210FLT002-	COUPLER BODY	KUPPLUNGSGEHAUSE	CORPS D'ATTELAGE	KOPPELINGSHUIS	
59	RBC044419	1	R210FLT002-	O-RING	O-RING	JOINT TORIQUE	O-RING	30X3,DIN3770
60	EVA000564	1	R210FLT002-	ROTOR SHAFT CPL.	ROTORWELLE,KPL.	ARBRE ROTOR CPL.	ROTORAS KPL.	LEFT,CENTER
60	EVA000568	1	R210FLT002-	ROTOR SHAFT CPL.	ROTORWELLE,KPL.	ARBRE ROTOR CPL.	ROTORAS KPL.	RIGHT
61	EVA000565	1	R210FLT002-	ROTOR SHAFT	ROTORWELLE	ROTOR SHAFT	ROTORAS	
62	EVU000540	12		BOLT	SKT.SCHRAUBE	BOULON	ZESK.BOUT	M10X35/15-12.9
63	EVA000136	12		FLAIL	SCHLEGEL	FLEAUX	KLEPEL	
64	EVU001714	12		BUSHING	BUECHSE	BAGUE	BUS	
65	12.30.030	1	R210FLT002-	RETAINING RING,SHAFT	SICHERUNGSRING,WELLE	CIRCLIP,ALESAGES	ZEKERINGSRING,AS	DIN471,A30X1.5
66	EVA000081	1	-R210FLT001	MOWING MOTOR	MAEHMOTOR	MOTEUR FAUCHAGE	MAAIMOTOR	LEFT,CENTER
66	EVA000124	1	-R210FLT001	MOWING MOTOR	MAEHMOTOR	MOTEUR FAUCHAGE	MAAIMOTOR	RIGHT
66.1	EVU000757	1		O-RING	O-RING	JOINT TORIQUE	O-RING	52,07X2,62
66.2	EVU000758	1		O-RING	O-RING	JOINT TORIQUE	O-RING	18,72X2,62

FLAIL UNITS | SCHLEGELUNITS | ELEMENT DE COUPE FLEAUX | KLEPELUNITS

EVB021511

F3

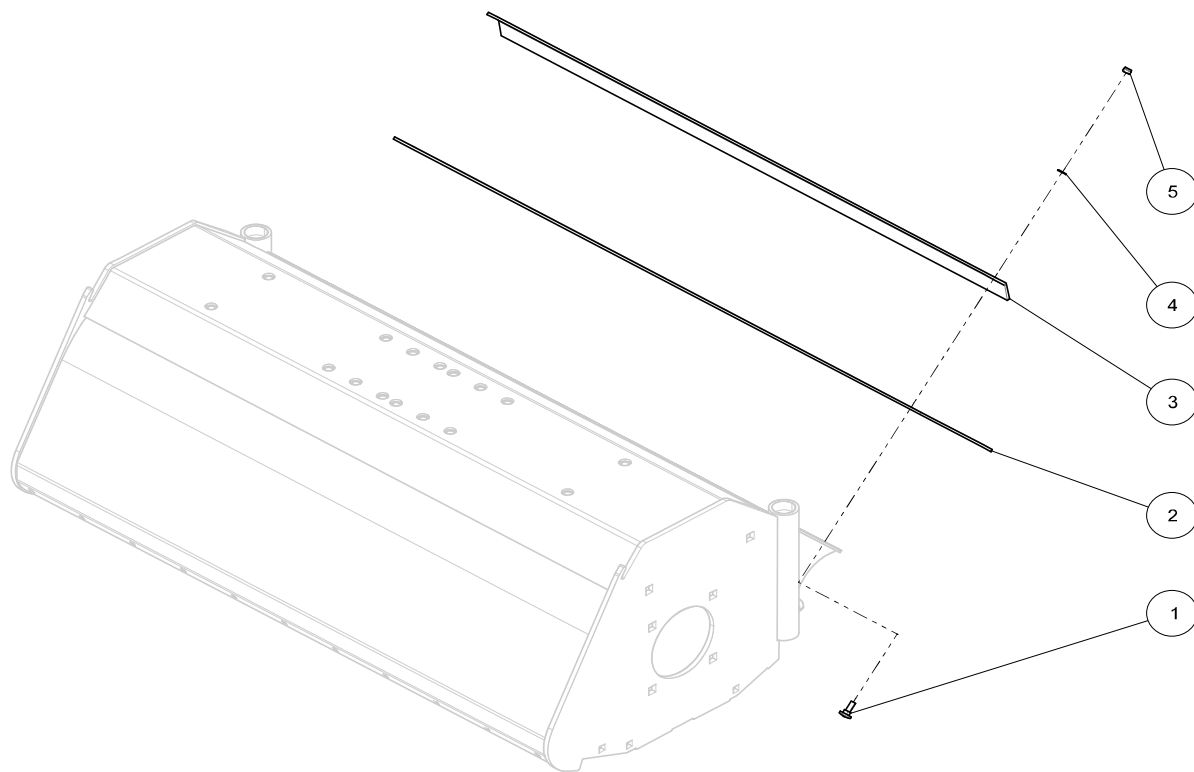
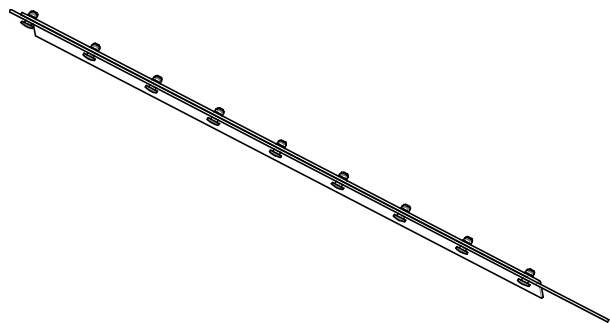


FLAIL UNITS | SCHLEGELUNITS | ELEMENT DE COUPE FLEAUX | KLEPELUNITS
EVB021511
F3

KEY	PART NO.	QTY	SERIAL NO.	DESCRIPTION	BESCHREIBUNG	DESIGNATION	OMSCHRIJVING	REMARKS
66.3	EVU000759	1		O-RING	O-RING	JOINT TORIQUE	O-RING	64,77X2,62
66.4	EVA000983	1		SEALING RING	DICHTUNG	BAQUE-JOINT	AFDICHTINGSRING	28X40X6/5
67	12.11.010	8	-R210FLT001	WASHER	UNTERLEGSCHIEBE	RONDELLE	SLUITRING	DIN125A,M10-ZN
68	10.14.621	8	-R210FLT001	BOLT,RH,SQNECK	FLACHRUNDSCHRAUBE	VIS A TETE BOMBEE	SLOTBOUT	ISO8678,M10X30-8.8-ZN
69	12.30.030	2	-R210FLT001	RETAINING RING,SHAFT	SICHERUNGSRING,WELLE	CIRCLIP,ALESAGES	ZEKERINGSRING,AS	DIN471,A30X1.5
70	EGU210097	2	-R210FLT001	V-RING	V-RING	ANNEAU	V-RING	VA0035
71	EVA000082	1	-R210FLT001	ROTOR SHAFT CPL.	ROTORWELLE,KPL.	ROTOR SHAFT CPL.	ROTORAS KPL.	
72	EVA000083	1	-R210FLT001	ROTOR SHAFT	ROTORWELLE	ROTOR SHAFT	ROTORAS	
73	EVA000080	1	-R210FLT001	BEARING HOUSING	LAGERGEHAEUSE	PALIER PARLE-COUTEAU	LAGERHUIS	
74	EVA000137	1	-R210FLT001	MOTOR SUPPORT	MOTORSTUETZE	SUPPORT MOTEUR	MOTORSTEUN	
75	12.01.208	4	-R210FLT001	SPRING WASHER	FEDERRING	RONDELLE GROWER	VEERRING	A8MM DIN7980 ZN
76	10.28.089	4	-R210FLT001	SCREW,SOC	ZYL.SCHRAUBE,ISK	VIS A TETE CYL.SPC	CIL.BOUT,BZK	DIN912,M8X1.25X20-8.8-ZN
	EVU002784	1		GASKET	DICHTUNG	JOINT	PAKKING	
	EVA000078	1		FLAIL UNIT	SCHLEGELAGGREGAT	EL.DE COUPE FLEAUX	KLEPELSNIJMACHINE	RIGHT
	EVA000079	2		FLAIL UNIT	SCHLEGELAGGREGAT	EL.DE COUPE FLEAUX	KLEPELSNIJMACHINE	LEFT

EVB521569

F3



DEFLECTOR GUIDE FRONT | ABWEISFUEHRUNG VORNE | GUIDE DEFLECTOR AVANT | UITWORPGELEIDING VOORZIJD

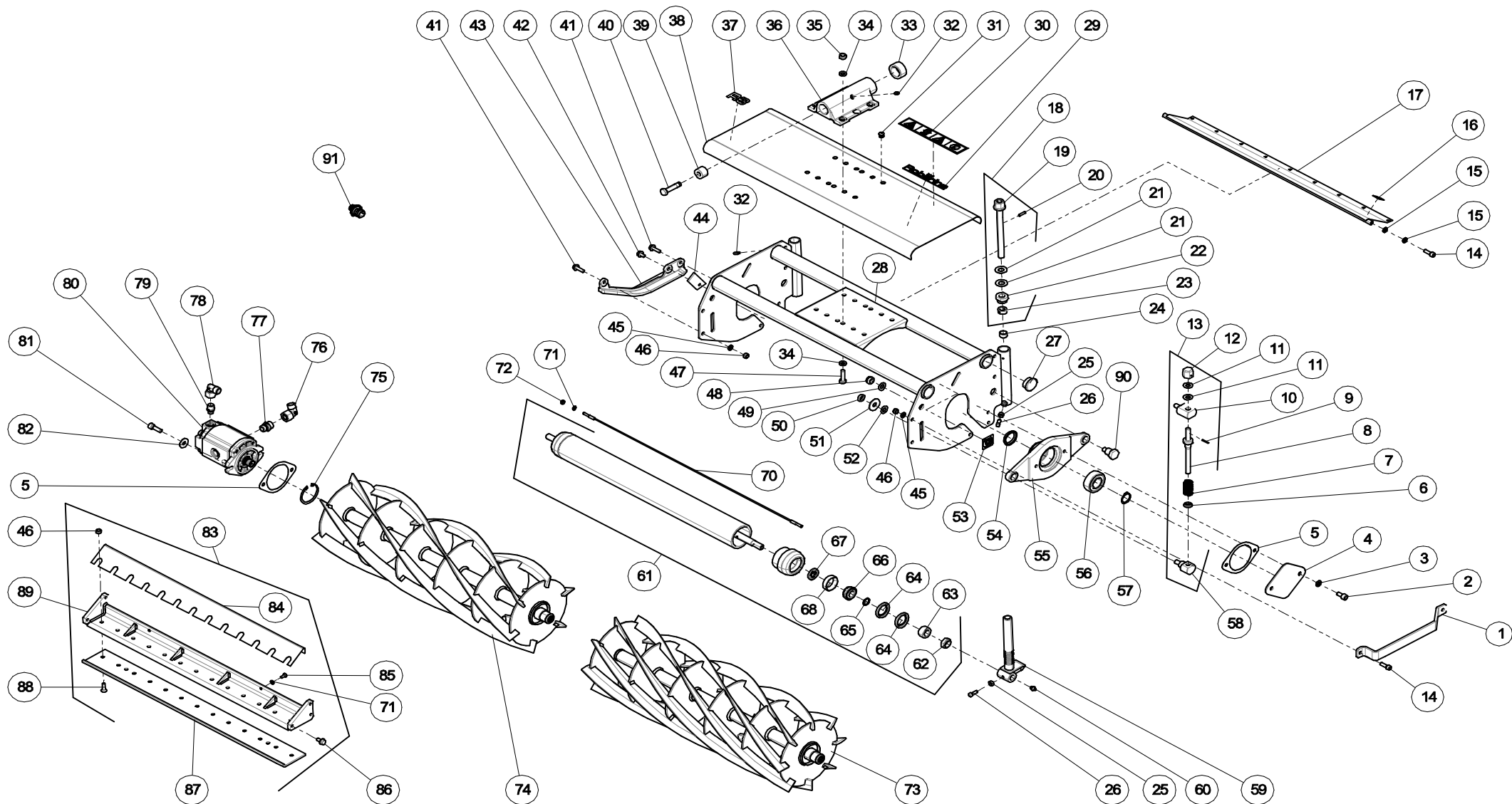
EVB521569

F3

KEY	PART NO.	QTY	SERIAL NO.	DESCRIPTION	BESCHREIBUNG	DESIGNATION	OMSCHRIJVING	REMARKS
1	10.15.040	18		BOLT,RH,SQNECK	FLACHRUNDSCHRAUBE	VIS A TETE BOMBEE	SLOTBOUT	DIN603,M5X16-8.8-ZN
2	evu002039	2		FLAP RUBBER	GUMMI FLAPPE	BAVET CAOUTCHOUC	RUBBER FLAP	
3	evu002818	2		STRIP	STREIFEN	BANDE	STRIP	
4	12.11.005	18		WASHER	UNTERLEGSCHIEBE	RONDELLE	SLUITRING	DIN125A,M5-ZN
5	11.05.005	18		LOCKNUT	SICHERUNGSMUTTER	CONTRE-ECROU	ZESK.BORGMOER	DIN985,M5-6-ZN

CYLINDER UNITS 10" | SPINDELUNITS 10" | ELEMENT DE COUPE CILINDRE 10" | KOOIUNITS 10"
EVB021513 + EVB021514

R3



CYLINDER UNITS 10" | SPINDELUNITS 10" | ELEMENT DE COUPE CILINDRE 10" | KOOIUNITS 10"

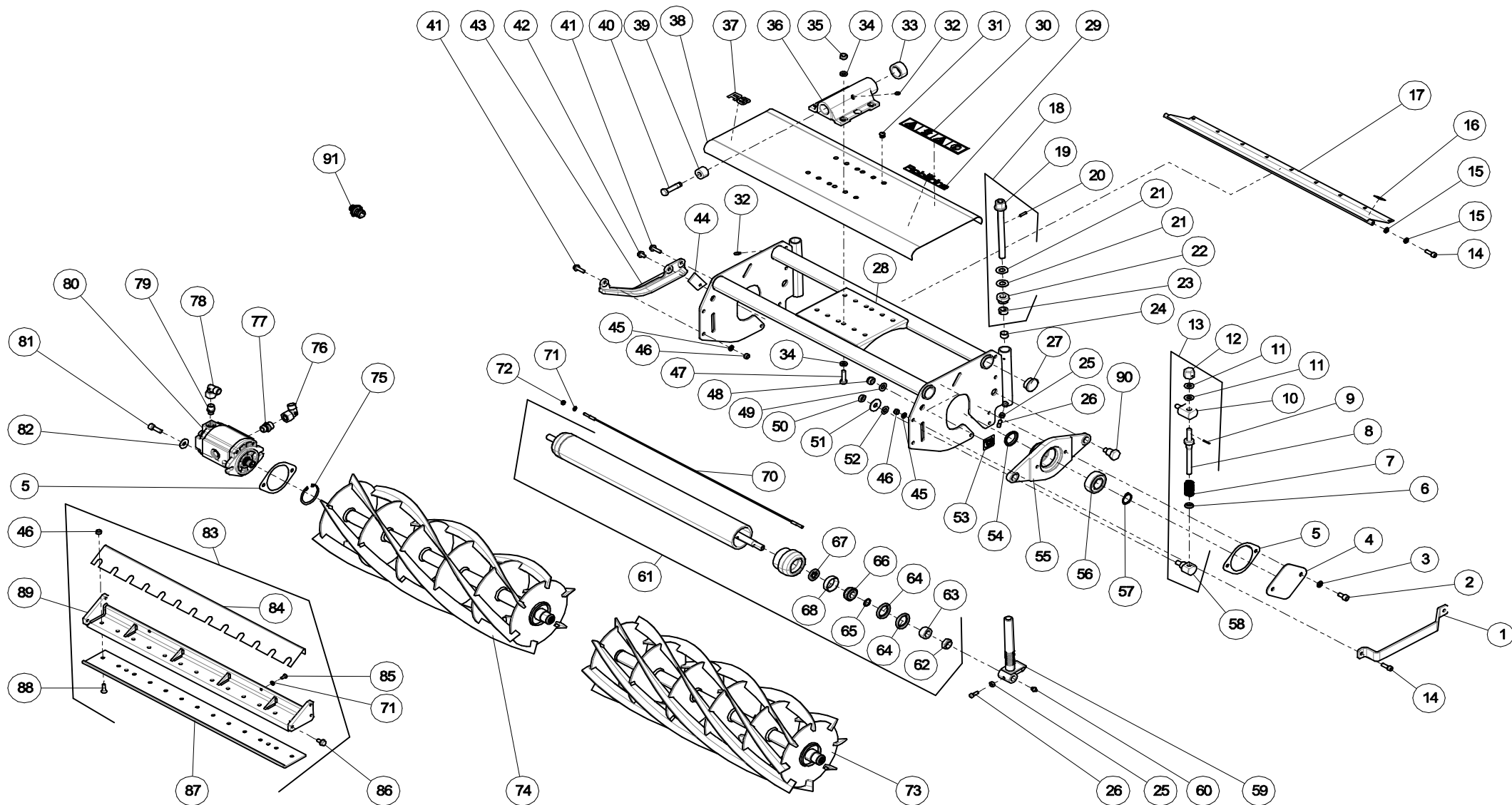
EVB021513 + EVB021514

R3

KEY	PART NO.	QTY	SERIAL NO.	DESCRIPTION	BESCHREIBUNG	DESIGNATION	OMSCHRIJVING	REMARKS
1	EGU210124	1		BUFFER BAR	STOSSSTANGE	PARE-CHOC	BOOMBESCHERMER	
2	10.28.118	2		SCREW,SOC	ZYL.SCHRAUBE,ISK	VIS A TETE,CYL.SPC	CIL.BOUT,BZK	DIN912,M10X20-8.8-ZN
3	12.01.010	2		WASHER,SPRING	FEDERRING	RONDELLE FREIN	VEERRING	DIN128,M10-ZN
4	EVU001295	1		COVER PLATE	ABDECKPLATTE	PLAQUE DE RECOUVREMENT	AFDEKPLAAT	
5	RBU212166	2		GASKET	PAKKUNG	JOINT	PAKKING	
6	EVU001030	2		RETAINER	HALTER	ELEMENT	STEUN	
7	EVU001032	2		COMPRESSION SPRING	DRUCKFEDER	RESSORT DE COMPRESSION	DRUKVEER	
8	EVU001029	2		STUD	STIFFTSCHRAUBE	GOUJON	STELSCHROEF	
9	EWU000613	2		SPRING PIN	SPANNSTIFT	GOUPILLON ELASTIQUE	SPANBUS	3X22 DIN1481
10	EVU001028	2		BOLT	BOLZEN	BOULON	BOUT	
11	12.40.013	4		DISC SPRING	TELLERFEDER	RONDELLE BELLEVILLE	SCHOTELVEER	DIN2093-A,12.2X25X1.5-ST
12	EVU001033	2		NUT	MUTTER	ECROU	MOER	
13	EVA000550	2		REEL ADJUSTER	MESSERVERSTELLUNG	ADJUSTEUR LAME	MESVERSTELLING	CPL.
14	10.02.091	4		SCREW,HEX	SKT.SCHRAUBE	VIS A TETE,HEX	ZESK.TAPBOUT	DIN933,M8X25-8.8-ZN
15	12.40.008	4		DISC SPRING	TELLERFEDER	RONDELLE BELLEVILLE	SCHOTELVEER	DIN2093-A,8.2X16X0.9-ST
16	RBC015890	2		DECAL	AUFKLEBER	AUTOCOLLANT	STICKER	CUTTING HEIGHT ADJUSTEMENT
17	RBC048860	1		DEFLECTOR	ABWEISER	DEFLECTEUR	GRASKEERPLAAT	
18	EGA210098	2		ADJUSTING SCREW	STELLSCHRAUBE	EMBOUT DE REGLAGE	STELSCHROEF	CPL.
19	EVA000305	2		HEIGHT ADJUST SCREW	HOHENVERSTELLBOLZEN	ECROU REGLAGE HAUTE	HOOGTEVERSTELBOUT	
20	14.09.022	2		SPRING PIN	SPANNSTIFT	GOUPILLON ELASTIQUE	SPANBUS	5X22 DIN1481
21	12.40.015	4		DISC SPRING	TELLERFEDER	RONDELLE BELLEVILLE	SCHOTELVEER	DIN2093-A,31.5X16.3X1.75-ST
22	EGU210053	2		ADJUSTING NUT	EINSTELLMUTTER	ECROU DE REGLAGE	STELRING	
23	EGU210054	2		RETAINING RING	STELLRING	BAQUE DE REGLAGE	OPSLUITRING	
24	RBU212037	2		BUSHING	BUECHSE	BAGUE	BUS	
25	11.02.008	2		NUT,HEX	MUTTER,HEX	ECROU,HEX	ZESK.MOER	DIN934,M8-8-ZN

CYLINDER UNITS 10" | SPINDELUNITS 10" | ELEMENT DE COUPE CILINDRE 10" | KOOIUNITS 10"
EVB021513 + EVB021514

R3



CYLINDER UNITS 10" | SPINDELUNITS 10" | ELEMENT DE COUPE CILINDRE 10" | KOOIUNITS 10"

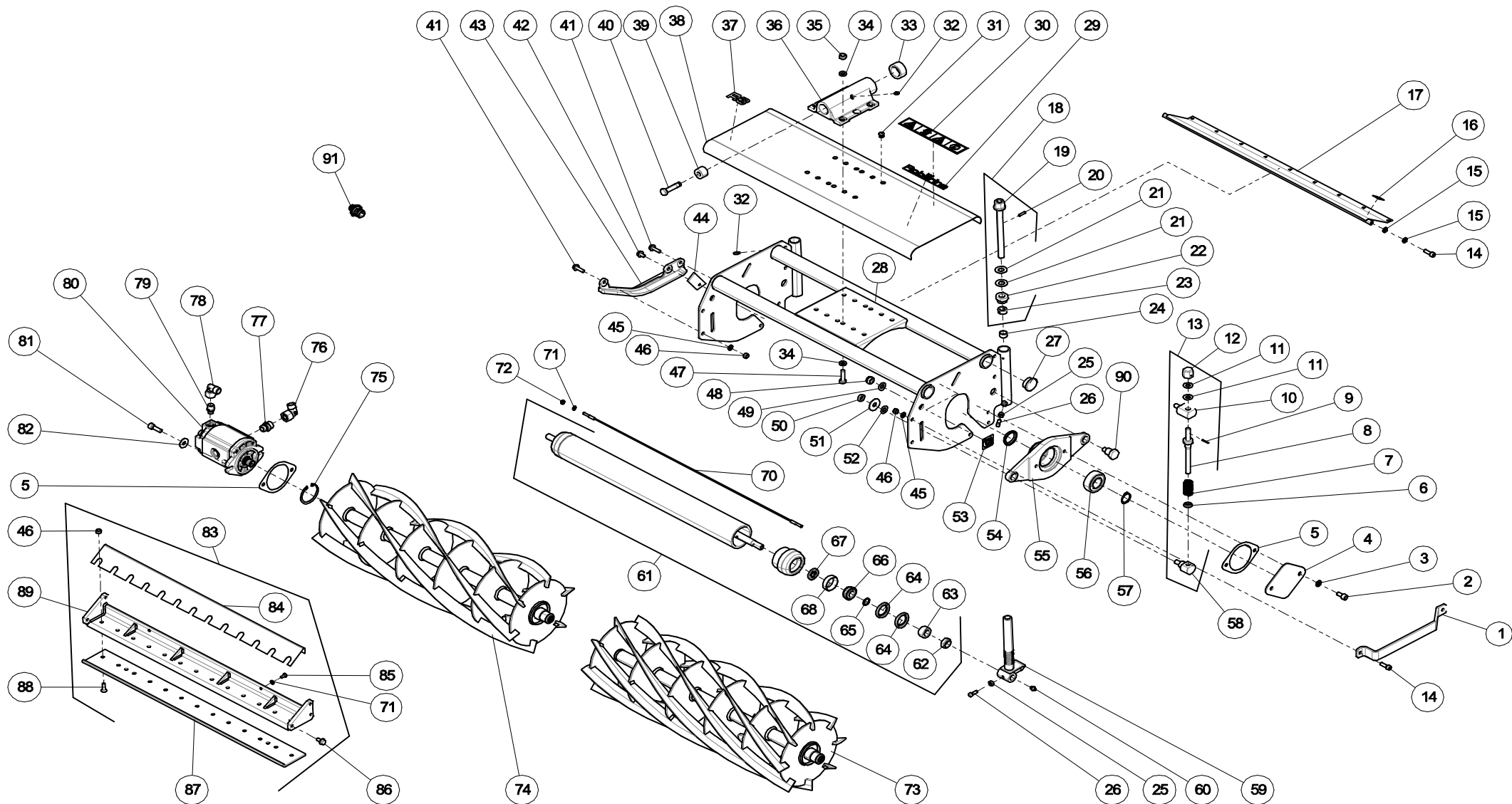
EVB021513 + EVB021514

R3

KEY	PART NO.	QTY	SERIAL NO.	DESCRIPTION	BESCHREIBUNG	DESIGNATION	OMSCHRIJVING	REMARKS
26	10.60.089	2		SET SCREW,SQ	VIERKANTSCHRAUBE	VIS TETE CARREE	VIERK.STELBOUT,BZK	DIN479,M8X20-8.8-ZN
27	RBC200021	4		CAP	KAPPE	CAPUCHON	STOP	
28	RBC047217	1		FRAME	RAHMEN	BATI	FRAME	
29	EVU000985	1		DECAL	AUFKLEBER	AUTOCOLLANT	STICKER	"ROBERINE"
30	EVU000989	1		DECAL	AUFKLEBER	AUTOCOLLANT	STICKER	DANGER (CUTTING UNIT)
31	RBC043153	4		STOPPER PLUG	STOPFEN	BOUCHON D'OBTURATION	STOP	SFL15
32	20.03.001	3		GREASE ZERK	SCHMIERNIPPEL	GRAISSEUR	SMEERNIPPEL	DIN71412,M6X1-H1
33	RBC027867	1		SPACER	DISTANZSCHEIBE	ENTRETOISE	AFSTANDSRING	
34	12.11.010	8		WASHER	UNTERLEGSCHIEBE	RONDELLE	SLUITRING	DIN125A,M10-ZN
35	11.05.010	4		LOCKNUT	SICHERUNGSMUTTER	SICHERUNGSMUTTER	ZESK.BORGMOER	DIN985,M10-8-ZN
36	RBC031532	1		PIVOT	AGGREGATAUFNAHME	SUPPORT DE FIXATION	AGGREGAATOPNAME	
37	EVU000996	1		DECAL	AUFKLEBER	AUTOCOLLANT	STICKER	"R3"
38	RBC201387	1		COVERPLATE	ABDECKBLECH	COUVERCLE	AFDEKPLAAT	
39	RBC027866	1		SPACER	DISTANZSCHEIBE	ENTRETOISE	AFSTANDSRING	
40	10.42.157	1		SCREW,HEX	SKT.SCHRAUBE	VIS A TETE,HEX	ZESK.TAPBOUT	DIN933,M12X55-8.8-ZN TUFLOK
41	10.62.091	4		TENSILOCK BOLT	TENSILOCKSCHRAUBE	BOULON TENSILOCK	TENSILOCKBOUT	M8X25-90-ZN
42	10.62.085	2		TENSILOCK BOLT	TENSILOCKSCHRAUBE	BOULON TENSILOCK	TENSILOCKBOUT	M8X12-90-ZN
43	RBC047924	2		SKID	GLEITKUFEN	SABOT	GLIJSLOF	
44	EVU001060	2		STRIP	STREIFEN	BANDE	STRIP	
45	12.11.008	4		WASHER	UNTERLEGSCHIEBE	RONDELLE	SLUITRING	DIN125A,M8-ZN
46	11.05.008	17		LOCKNUT	SICHERUNGSMUTTER	CONTRE-ECROU	ZESK.BORGMOER	DIN985,M8-8-ZN
47	10.02.122	4		SCREW,HEX	SKT.SCHRAUBE	VIS A TETE,HEX	ZESK.TAPBOUT	DIN933,M10X35-8.8-ZN
48	11.05.012	2		LOCKNUT	SICHERUNGSMUTTER	CONTRE-ECROU	ZESK.BORGMOER	DIN985,M12-8-ZN
49	12.11.012	2		WASHER	UNTERLEGSCHIEBE	RONDELLE	SLUITRING	DIN125A,M12-ZN
50	RBC028770	4		LOCKNUT	SICHERUNGSMUTTER	CONTRE-ECROU	BORGMOER	DIN980M-M12X1.75-6-ZN LOW

CYLINDER UNITS 10" | SPINDELUNITS 10" | ELEMENT DE COUPE CILINDRE 10" | KOOIUNITS 10"
EVB021513 + EVB021514

R3



CYLINDER UNITS 10" | SPINDELUNITS 10" | ELEMENT DE COUPE CILINDRE 10" | KOOIUNITS 10"

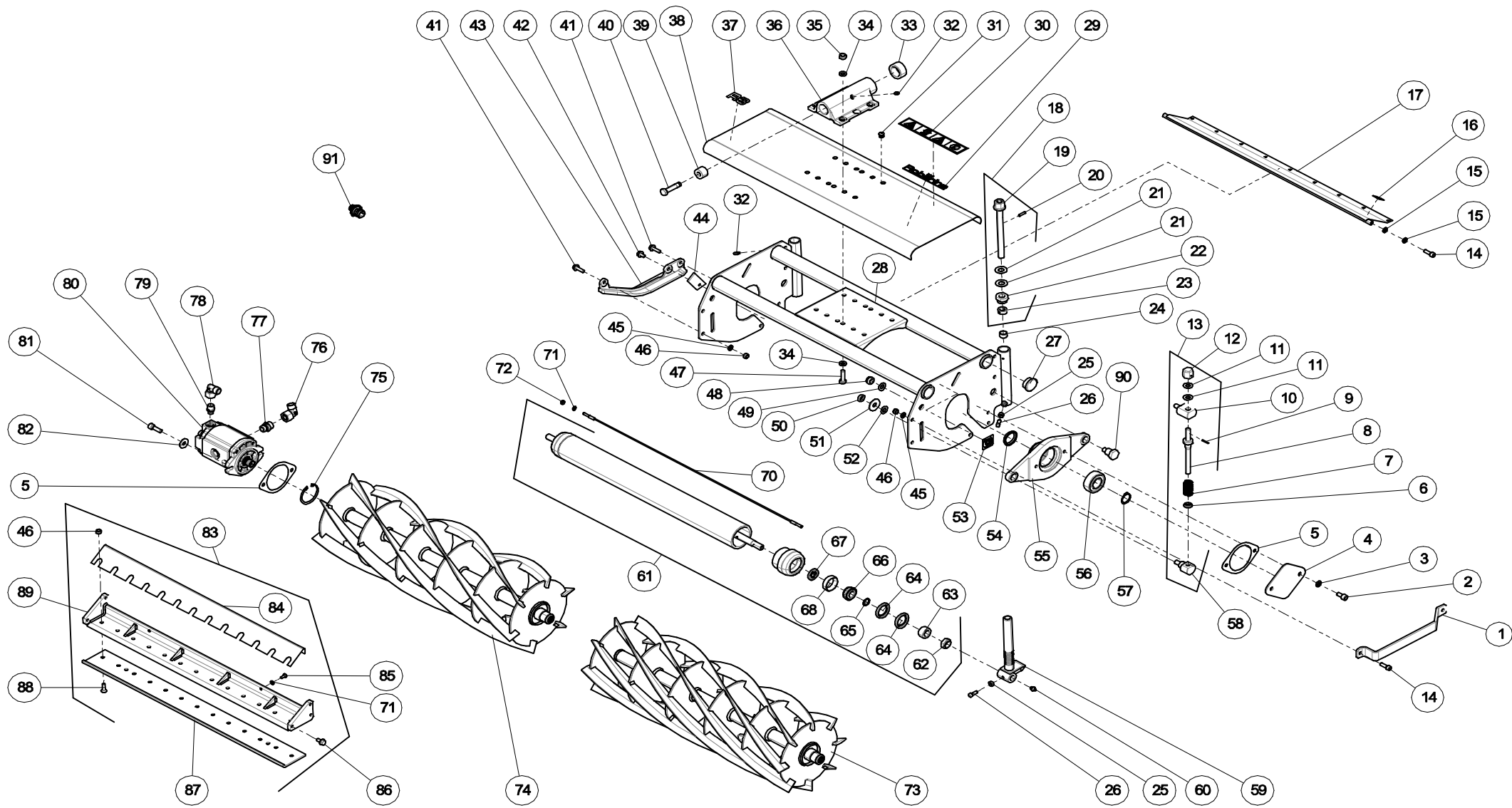
EVB021513 + EVB021514

R3

KEY	PART NO.	QTY	SERIAL NO.	DESCRIPTION	BESCHREIBUNG	DESIGNATION	OMSCHRIJVING	REMARKS
51	12.15.112	4		WASHER	UNTERLEGSCHIEBE	RONDELLE	SLUITRING	DIN9021-M12-ZN
52	RBC048805	2		TEFLON WASHER	TEFLONSCHIEBE	TEFLON DISQUE	TEFLONSCHIJF	WC10DU
53	RBC043026	2		DECAL	AUFKLEBER	AUTOCOLLANT	STICKER	BLADE ADJUSTEMENT
54	EGU210097	2		V-RING	V-RING	ANNEAU	V-RING	VA0035
55	RBU211330	2		BEARING HOUSING	LAGERGEHAEUSE	BOITIER DE PALIER,R3	LAGERHUIS	
56	RBC031677	2		BEARING	LAGER	DEMI-COUSSINET	LAGER	2206-2RS
57	12.30.030	2		RETAINING RING,SHAFT	SICHERUNGSRING,WELLE	CIRCLIP,ALESAGES	ZEKERINGSRING,AS	DIN471,A30X1.5
58	EVU001031	2		BOLT	BOLZEN	BOULON	BOUT	
59	EVA000549	2		ADJUSTER	VERSTELLVORRICHTING	DISPOSITIF DE REGLAGE	HOOGTEVERSTELLER	
60	20.03.006	2		GREASE ZERK	SCHMIERNIPPEL	GRAISSEUR	SMEERNIPPEL	DIN71412,M10X1-H1
61	EGA210097	1		ROLLER,30"	ROLLE,30"	GALET,30"	STEUNROL,30"	
62	EGU210047	2		STOP NUT	VERSCHLUSSMUTTER	COUVERCLE DE FERMETURE	AFSLUITMOER	3/4-16 UNF-3B
63	EGU210048	2		SLEEVE	MANCHETTE	MANCHETTE	MANCHET	
64	EGU210049	4		OIL SEAL	DICHTRING	JOINT A LEVRE,HUILE	AFDICHTINGSRING,OLIE	SKF CR5300011-75
65	EGU210052	2		O-RING	O-RING	O-RING	O-RING	NBR90
66	EGU210050	2		CONE	KONUS	CONE	CONUS	SKF LM11949
67	EGU210046	2		OIL SEAL	DICHTRING	JOINT A LEVRE,HUILE	KEERRING,OLIE	SKF CR543656
68	EGU210051	2		BEARING CUP	KEGELLAGER-AUSSENRING	CUVETTE DE ROULEMENT	KEGELLAGER BUITENRING	SKF LM11910
70	RBC200077	1		SCRAPER	ABSTREIFER	RACLOIR	SCHRAPER	
71	12.11.006	7		WASHER	UNTERLEGSCHIEBE	RONDELLE	SLUITRING	DIN125A,M6-ZN
72	11.05.006	5		LOCKNUT	SICHERUNGSMUTTER	CONTRE-ECROU	ZESK.BORGMOER	DIN985,M6-8-ZN
73	EVA000610	3		MOWER REEL	MAEHERSPINDEL	CILINDRE DE COUPE	SNIJCILINDER	10" 8-BLADE
74	RBA211088	2		MOWER REEL	MAEHERSPINDEL	CILINDRE DE COUPE	SNIJCILINDER	10" 6-BLADE RIGHT,CENTER
74	RBA211161	1		MOWER REEL	MAEHERSPINDEL	CILINDRE DE COUPE	SNIJCILINDER	10" 6-BLADE LEFT
75	12.31.062	1		SNAP RING	SICHERUNGSRING	CIRCLIP,ALESAGES	BORGRING,BORING	DIN472,J62X2

CYLINDER UNITS 10" | SPINDELUNITS 10" | ELEMENT DE COUPE CILINDRE 10" | KOOIUNITS 10"
EVB021513 + EVB021514

R3



CYLINDER UNITS 10" | SPINDELUNITS 10" | ELEMENT DE COUPE CILINDRE 10" | KOOIUNITS 10"

EVB021513 + EVB021514

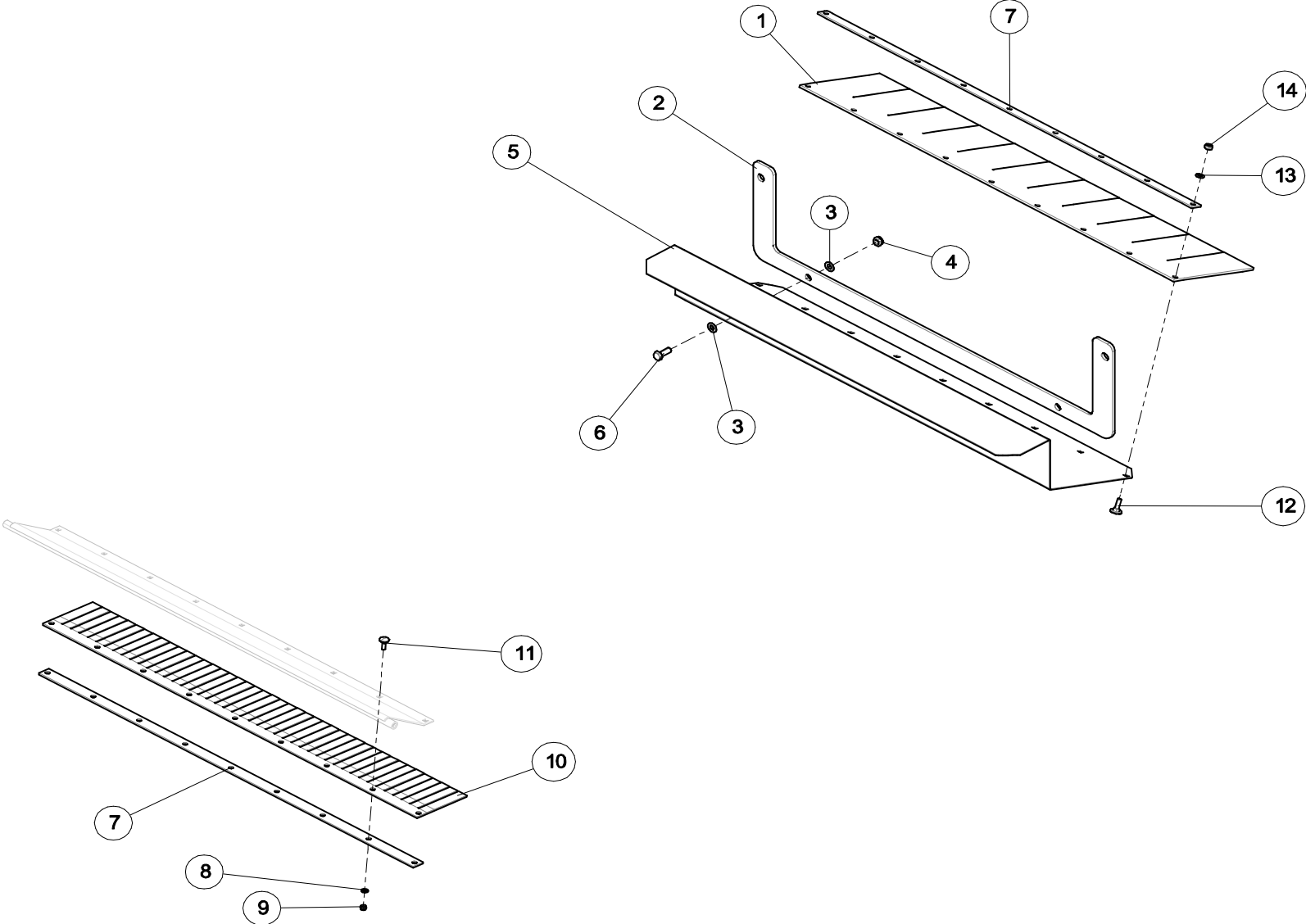
R3

KEY	PART NO.	QTY	SERIAL NO.	DESCRIPTION	BESCHREIBUNG	DESIGNATION	OMSCHRIJVING	REMARKS
76	EWU000481	2		FITTING	FITTING	RACCORD	NIPPEL	EW15LOMD CF
77	RBC019411	2		FITTING	FITTING	RACCORD	NIPPEL	GE15L3/4UNFOMD CF
78	EVA000432	1		FITTING	FITTING	RACCORD	NIPPEL	EW12LOMD CF
79	RBC203660	1		FITTING	FITTING	RACCORD	NIPPEL	GE12L9/16UNFOMD CF
80	EVA000325	1		MOWING MOTOR	MAEHMOTOR	MOTEUR FAUCHAGE	MAAIMOTOR	
80.1	EVA001178	1		SEAL KIT	ABDICHTSATZ	KIT DE JOINTS	PAKKINGSET	
81	10.28.121	2		SCREW,SOC	ZYL.SCHRAUBE,ISK	VIS A TETE,CYL.SPC	CIL.BOUT,BZK	DIN912,M10X30-8.8-ZN
82	12.15.110	2		WASHER	UNTERLEGSCHIEBE	RONDELLE	SLUITRING	DIN9021-M10-ZN
83	EVA000131	1		STATIONARY KNIFE	GEGENSCHNEIDES	CONTRE-COUTEAU	ONDERMES	
84	EVU000171	1		COVER	ABDECKUNG	COUVERCLE	AFDEKKING	
85	10.02.059	2		SCREW,HEX	SKT.SCHRAUBE	VIS A TETE,HEX	ZESK.TAPBOUT	DIN933,M6X12-8.8-ZN
86	10.62.087	4		TENSILOCK BOLT	TENSILOCKSCHRAUBE	BOULON TENSILOCK	TENSILOCKBOUT	M8X16-90-ZN
87	RBC011682	1		STATIONARY KNIFE	GEGENSCHNEIDE	CONTRE-COUTEAU	ONDERMES	
88	10.29.091	13		SCREW,CTSK	SCHRAUBE,SENK,ISK	VIS TETE,FRA,SPC	BOUT,VERZ,BZK	DIN7991,M8X25-8.8-ZN
89	EVA000132	1		SUPPORT	STUETZE	SUPPORT	ONDERMESBRUG	
90	EVU001027	3		BOLT,SHAFT	BOLZEN	BOULON	ASBOUT,LAGERFLENS	
91	EVA000795	1		SCREW CONNECTOR	SCHRAUBANSCHLUSS	CONNECTEUR A VIS	SCHROEFCONNECTOR	REEL CUTTING UNIT ONLY
	EVA000363	1		CUTTING UNIT	MAEHAGGREGAT	ELEMENT DE COUPE	SNIJMACHINE	10",6BLADE,LEFT
	EVA000364	1		CUTTING UNIT	MAEHAGGREGAT	ELEMENT DE COUPE	SNIJMACHINE	10",6BLADE,RIGHT
	EVA000365	1		CUTTING UNIT	MAEHAGGREGAT	ELEMENT DE COUPE	SNIJMACHINE	10",6BLADE,CENTER
	EVA000543	1		CUTTING UNIT	MAEHAGGREGAT	ELEMENT DE COUPE	SNIJMACHINE	10",8BLADE,LEFT
	EVA000544	1		CUTTING UNIT	MAEHAGGREGAT	ELEMENT DE COUPE	SNIJMACHINE	10",8BLADE,RIGHT
	EVA000545	1		CUTTING UNIT	MAEHAGGREGAT	ELEMENT DE COUPE	SNIJMACHINE	10",8BLADE,CENTER

CYLINDER UNITS 10" | SPINDELUNITS 10" | ELEMENT DE COUPE CILINDRE 10" | KOOIUNITS 10"

EVB021513 + EVB021514

R3

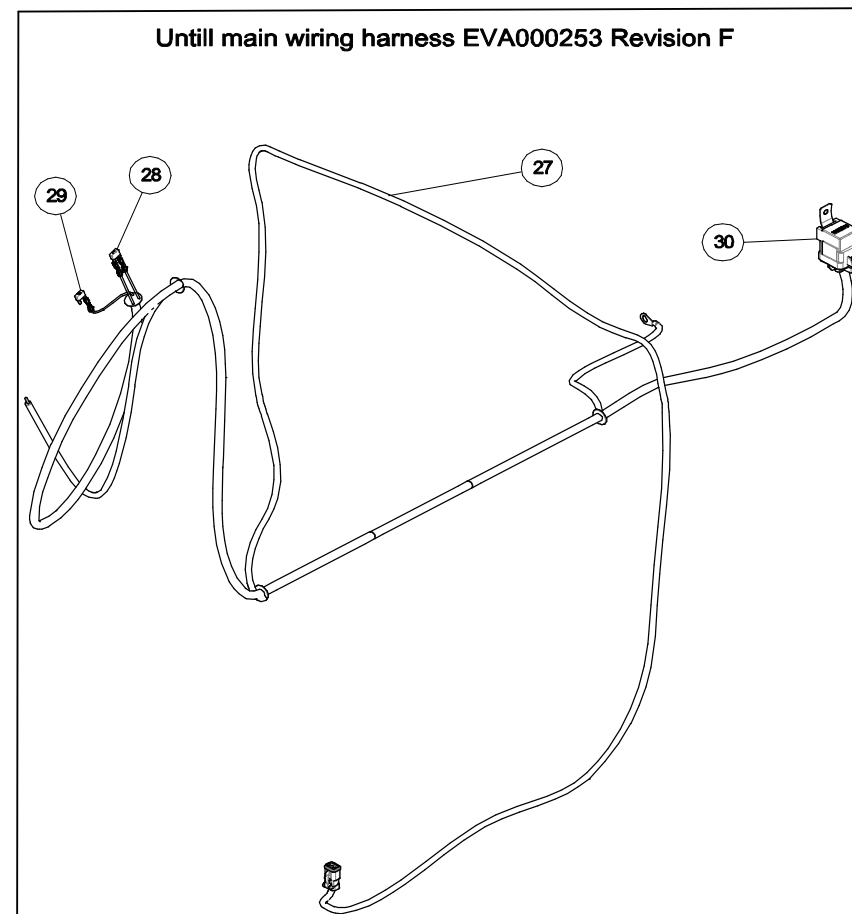
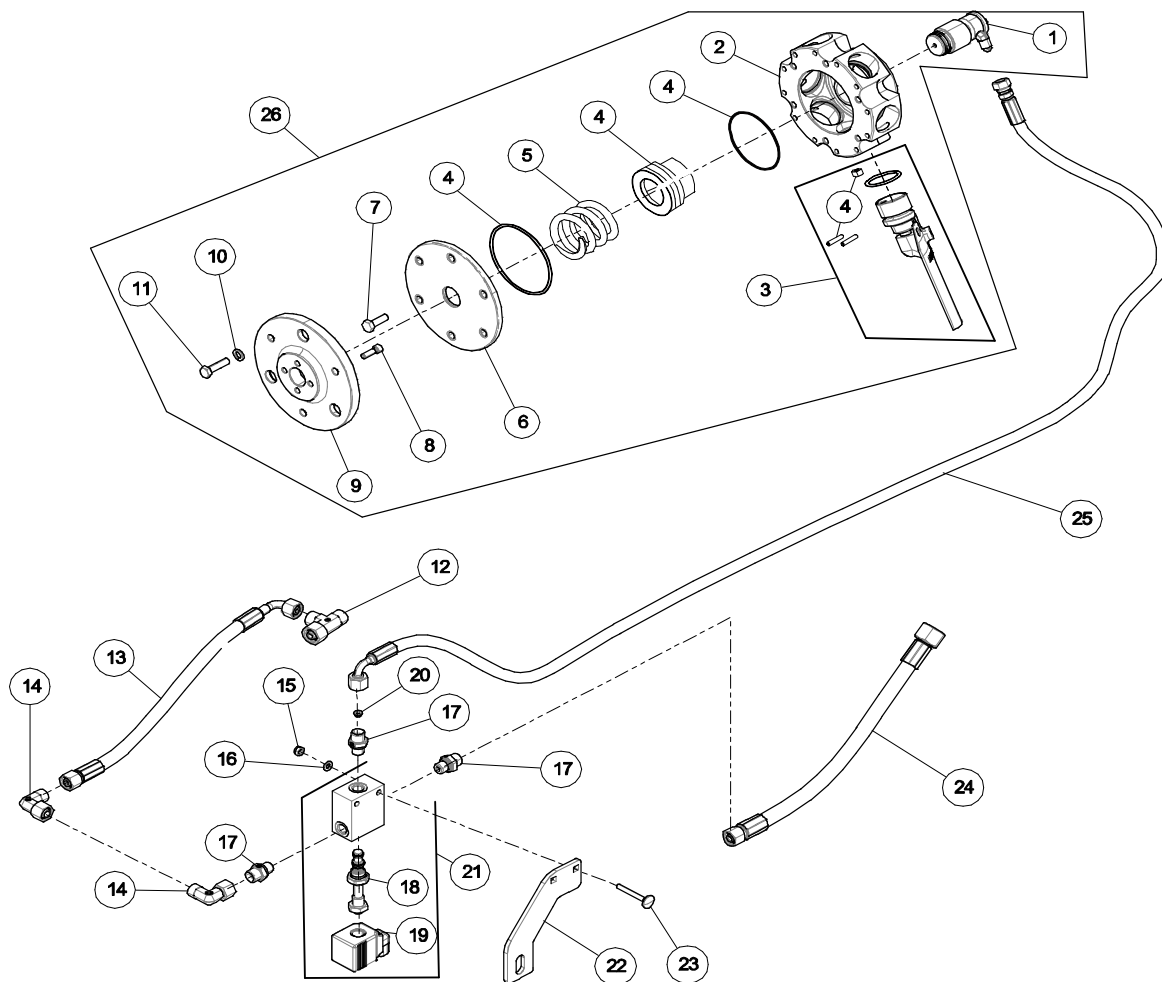


CYLINDER UNITS 10" | SPINDELUNITS 10" | ELEMENT DE COUPE CILINDRE 10" | KOOIUNITS 10"
EVB021513 + EVB021514
R3

KEY	PART NO.	QTY	SERIAL NO.	DESCRIPTION	BESCHREIBUNG	DESIGNATION	OMSCHRIJVING	REMARKS
1	EVU001061	1		RUBBER FLAP	SCHUTZGUMMI	JOINT CAOUTCHOUC	RUBBER FLAP	
2	EVU001062	1		MOUNTING STRIP, GRASS S	BEFESTIGUNGSSTREIFEN, WURFBI	MOUNTING STRIP, TOLE D'EJECT	BEVESTIGINGSSTRIP, GRAS	
3	12.11.008	4		WASHER	UNTERLEGSCHIEBE	RONDELLE	SLUITRING	DIN125A, M8-ZN
4	11.05.008	2		LOCKNUT	SICHERUNGSMUTTER	CONTRE-ECROU	ZESK.BORGMOER	DIN985, M8-8-ZN
5	RBC201225	1		DEFLECTOR, R3	ABWEISER, R3	DEFLECTEUR, R3	UITWORPPLAAT, R3	
6	10.02.089	2		SCREW, HEX	SKT.SCHRAUBE	VIS A TETE, HEX	ZESK.TAPBOUT	DIN933, M8X20-8.8-ZN
7	EVU001045	1		STRIP, GUARD	LASCHE, SCHUTZ	BANDE, GARANT	STRIP, FLAP	
8	12.11.005	9		WASHER	UNTERLEGSCHIEBE	RONDELLE	SLUITRING	DIN125A, M5-ZN
9	11.05.005	9		LOCKNUT	SICHERUNGSMUTTER	CONTRE-ECROU	ZESK.BORGMOER	DIN985, M5-6-ZN
10	EVU001089	1		RUBBER FLAP	SCHUTZGUMMI	JOINT CAOUTCHOUC	RUBBER FLAP	
11	10.15.040	9		BOLT, RH, SQNECK	FLACHRUNDSCHRAUBE	VIS A TETE BOMBEE	SLOTBOUT	DIN603, M5X16-8.8-ZN
12	10.14.063	9		BOLT, RH, SQNECK	FLACHRUNDSCHRAUBE	VIS A TETE BOMBEE	SLOTBOUT	DIN603, M6X20-8.8-ZN
13	12.11.006	9		WASHER	UNTERLEGSCHIEBE	RONDELLE	SLUITRING	DIN125A, M6-ZN
14	11.05.006	9		LOCKNUT	SICHERUNGSMUTTER	CONTRE-ECROU	ZESK.BORGMOER	DIN985, M6-8-ZN

REVERSIBLE FAN | REVERSIERBARE LUEFTER | VENTILATEUR REVERSIBLE | OMKEERBARE VENTILATOR
EVB021524 + EVB021543 + EVB021544

F3/R3



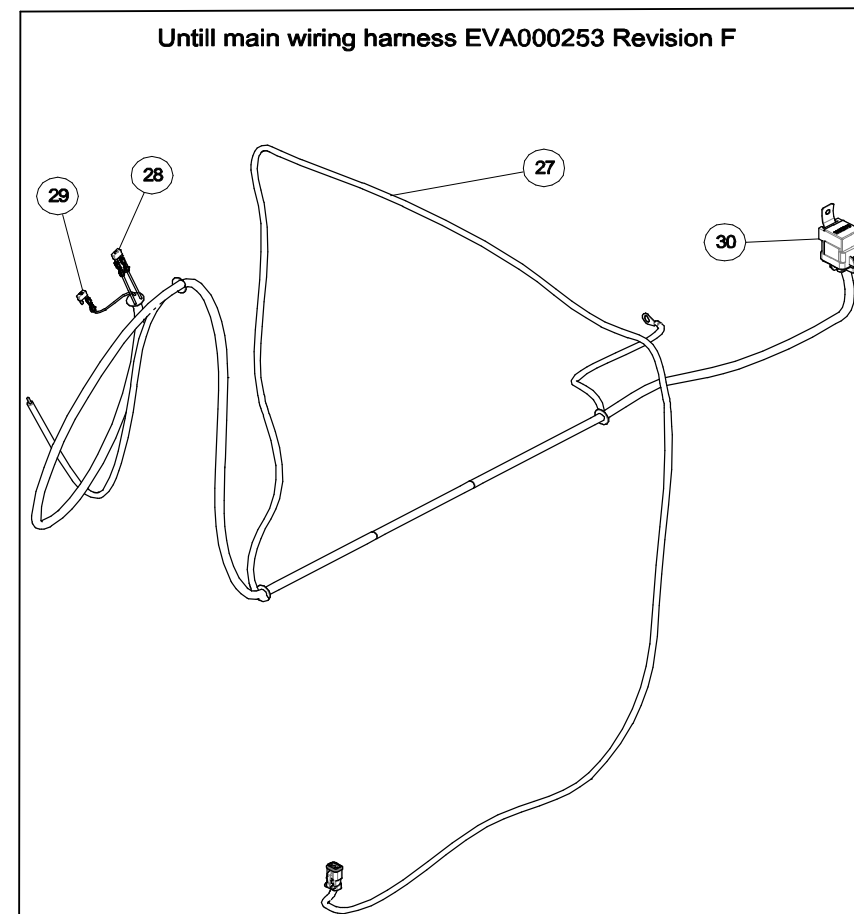
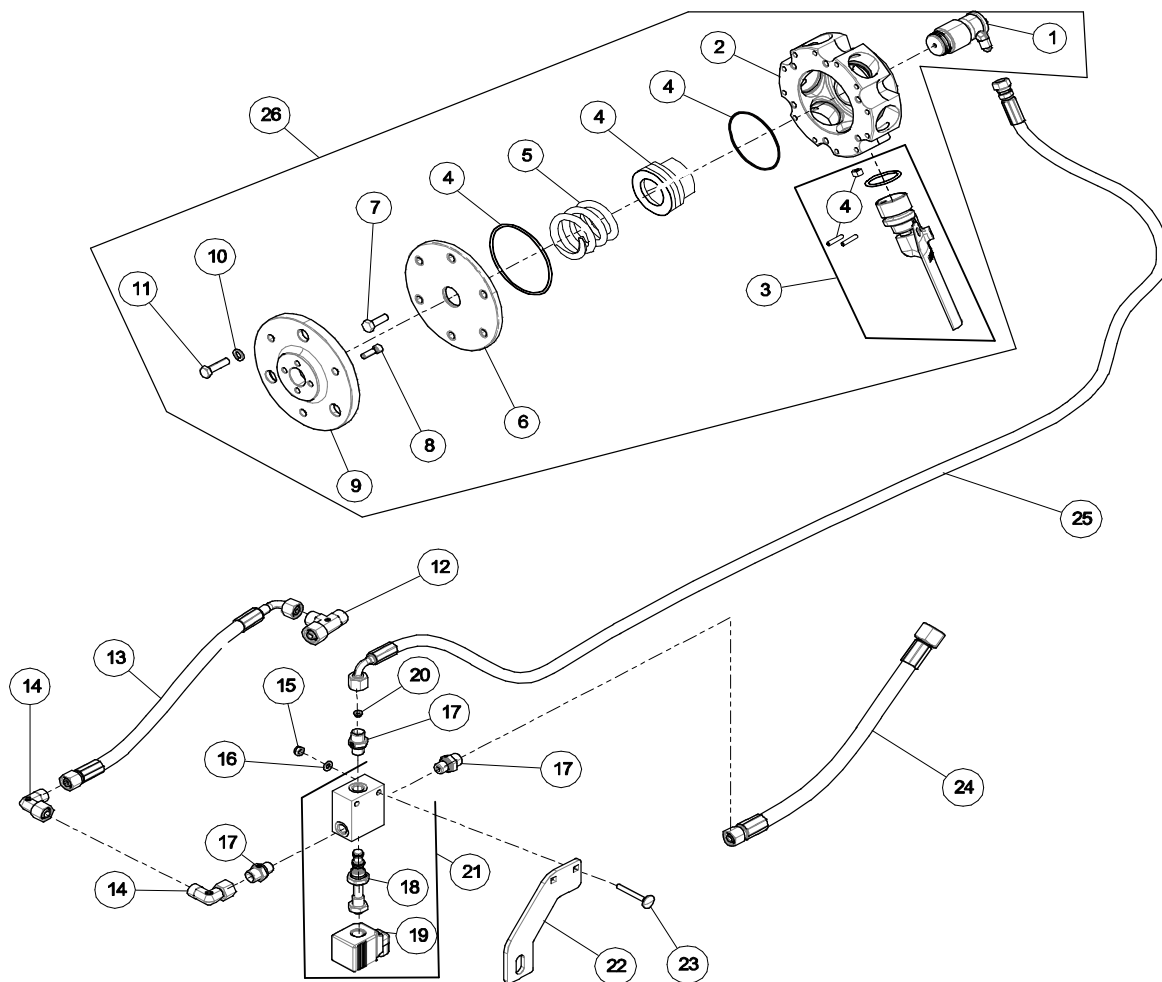
REVERSIBLE FAN | REVERSIERBARE LUEFTER | VENTILATEUR REVERSIBLE | OMKEERBARE VENTILATOR
EVB021524 + EVB021543 + EVB021544
F3/R3

KEY	PART NO.	QTY	SERIAL NO.	DESCRIPTION	BESCHREIBUNG	DESIGNATION	OMSCHRIJVING	REMARKS
1	EVA000970	1		KIT,ROTARY UNION	SATZ,DREHDURCHFUEHRUNG	KIT,PASSAGE TOURNANT	SET,DRAAIDOORVOER	
2	EVU000751	1		HUB	KUPPLUNGSNABE	MOYEU	KOPPELINGSNAAF	
3	EVA000971	3		KIT,BLADE *	SATZ,LUEFTERFLUEGEL *	KIT,PALE DE VENTILATEUR *	SET,VENTILATORBLADEN *	
4	EVA000972	1		KIT,SERVICE	SATZ,SERVICE	KIT,SERVICE	SET,SERVICE	
5	EVU000752	1		SPRING	FEDER	RESSORT	VEER	
6	EVU000753	1		PLATE REAR	PLATTE HINTEN	PLAQUE ARRIERE	ACHTERPLAAT	
7	EVU000754	3		BOLT	BOLZEN	BOULON	BOUT	
8	10.28.063	4		SCREW,SOC	ZYLINDERSCHRAUBE	VIS A TETE,CYL.SPC	BOUT,BZK	DIN912,M6X20,8.8 ZN
9	EVU001259	1		ADAPTER	ADAPTER	ADAPTEUR	ADAPTER	
10	12.01.008	3		WASHER,SPRING	FEDERING	RONDELLE FREIN	VEERRING	DIN128,M8-ZN
11	10.02.092	3		SCREW,HEX	SKT.SCHRAUBE	VIS A TETE,HEX	ZESK.TAPBOUT	DIN933,M8X30-8.8-ZN
12	RBC203644	1		FITTING	FITTING	RACCORD	NIPPEL	EL10LOMD CF
13	EVA000800	1		HOSE LINE	SCHLAUCHLEITUNG	TUYAU	HYDROSLANG	
14	EWA000285	2		FITTING	FITTING	RACCORD	NIPPEL	EW10LOMD CF
15	11.05.006	2		LOCKNUT	SICHERUNGSMUTTER	CONTRE-ECROU	ZESK.BORGMOER	DIN985,M6-8-ZN
16	12.11.006	2		WASHER	UNTERLEGSCHIEBE	RONDELLE	SLUITRING	DIN125A,M6-ZN
17	EWU000241	3		FITTING	FITTING	RACCORD	NIPPEL	GE10LR1/4EDOMD CF
18	EVA001193	1		CARTRIDGE	VENTILPATRONE	CARTOUCHE	VENTIELPATROON	CONTROL VALVE
18.1	EVA001194	1		SEAL KIT	ABDICHTUNGSSATZ	KIT DE JOINTS	PAKKINGSET	
19	EVA000353	1		SOLENOID	MAGNEETVENTIL	SOLENOIDE	MAGNEETSPOEL	
20	RBC202634	1		RESTRICTOR	BLLENDE	ETRANGLEMENT	SMORING	0.8MM
21	EVA000389	2		CONTROL VALVE	STEUERGERAT	DISTRIBUTEUR	STUURVENTIEL	
22	EVU000591	1		MOUNTING PLATE	MONTAGEPLATTE	SUPPORT	MONTAGEPLAAT	
23	10.15.069	1		BOLT,RH,SQNECK	FLACHRUNDSCHRAUBE	VIS A TETE BOMBEE	SLOTBOUT	DIN603,M6X45-8.8-ZN
24	EVA000801	1		HOSE LINE	SCHLAUCHLEITUNG	TUYAU	HYDROSLANG	

* INCLUDES ALL HARDWARE TO INSTALL TWO BLADES 180 DEGREES APART.

REVERSIBLE FAN | REVERSIERBARE LUEFTER | VENTILATEUR REVERSIBLE | OMKEERBARE VENTILATOR
EVB021524 + EVB021543 + EVB021544

F3/R3

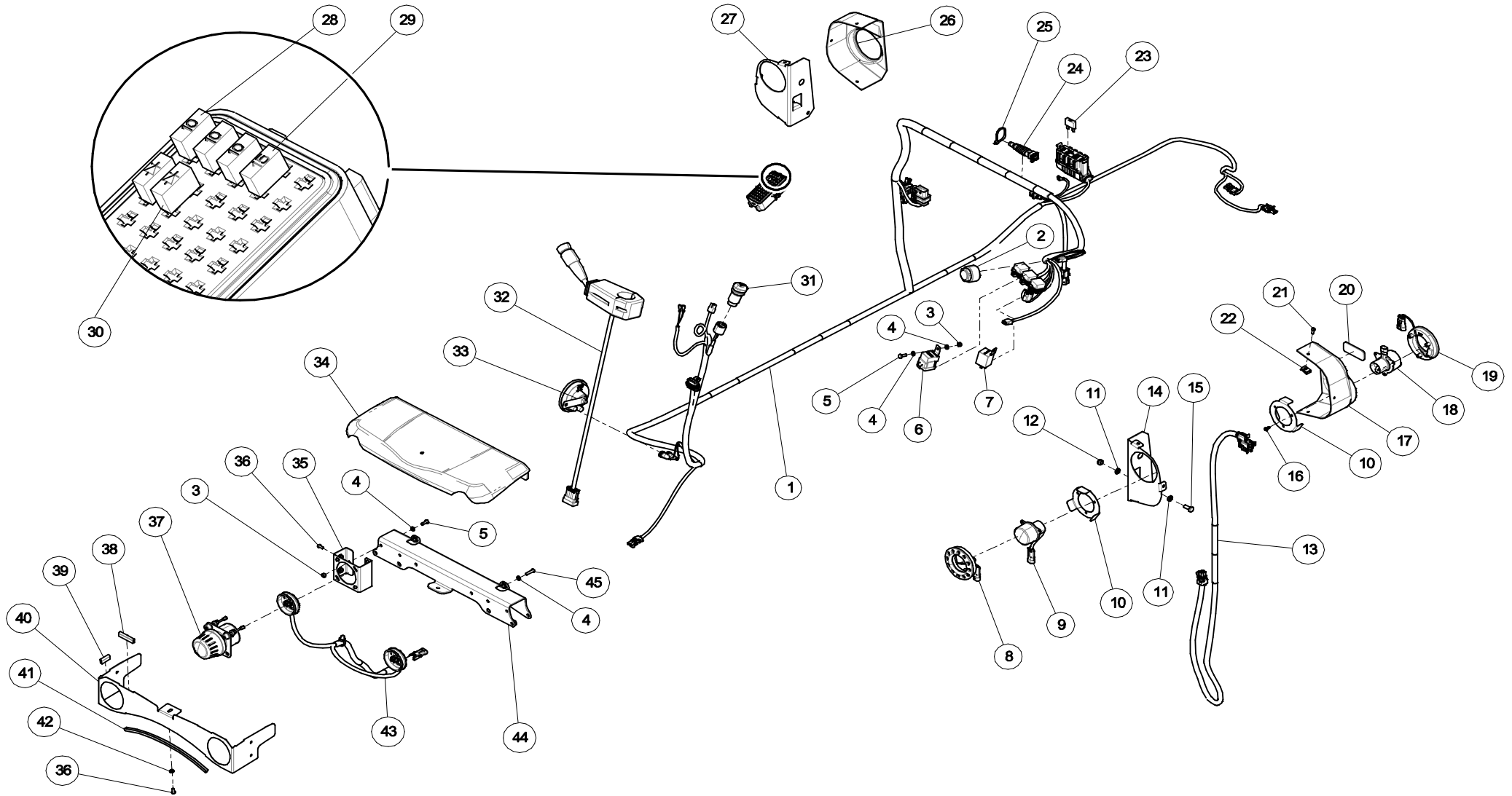


REVERSIBLE FAN | REVERSIERBARE LUEFTER | VENTILATEUR REVERSIBLE | OMKEERBARE VENTILATOR
EVB021524 + EVB021543 + EVB021544
F3/R3

KEY	PART NO.	QTY	SERIAL NO.	DESCRIPTION	BESCHREIBUNG	DESIGNATION	OMSCHRIJVING	REMARKS
25	EVA001336	1		HOSE LINE	SCHLAUCHLEITUNG	TUYAU	HYDROSLANG	
26	EVA000597	1		FAN,REVERSIBLE	LUEFTER,REVERSIERBAR M3	VENTILATEUR,REVERSIBLE	VENTILATOR,OMKEERBAAR	
27	EVA000812	1		WIRING HARNESS	KABELBAUM	CABLE FAISCEAU	KABELBUNDEL	REVERSIBLE FAN
28	EVA000477	2		DIODE,MINI,1A	DIODE,MINI,1A	DIODE,MINI,1A	DIODE,MINI,1A	
29	EVA000472	2		FUSE,BLADE MINI	SICHERUNG,MINI	FUSIBLE,MINI	ZEKERING,MINI	10A 32V RED
30	RBA123716	1		RELAY,SEALED	RELAIS	RELAIS	RELAIS	W/BRACKET

LIGHTING | BELEUCHTUNG | ECLAIRAGE | VERLICHTING
EVB021525 + EVB021545

F3/R3

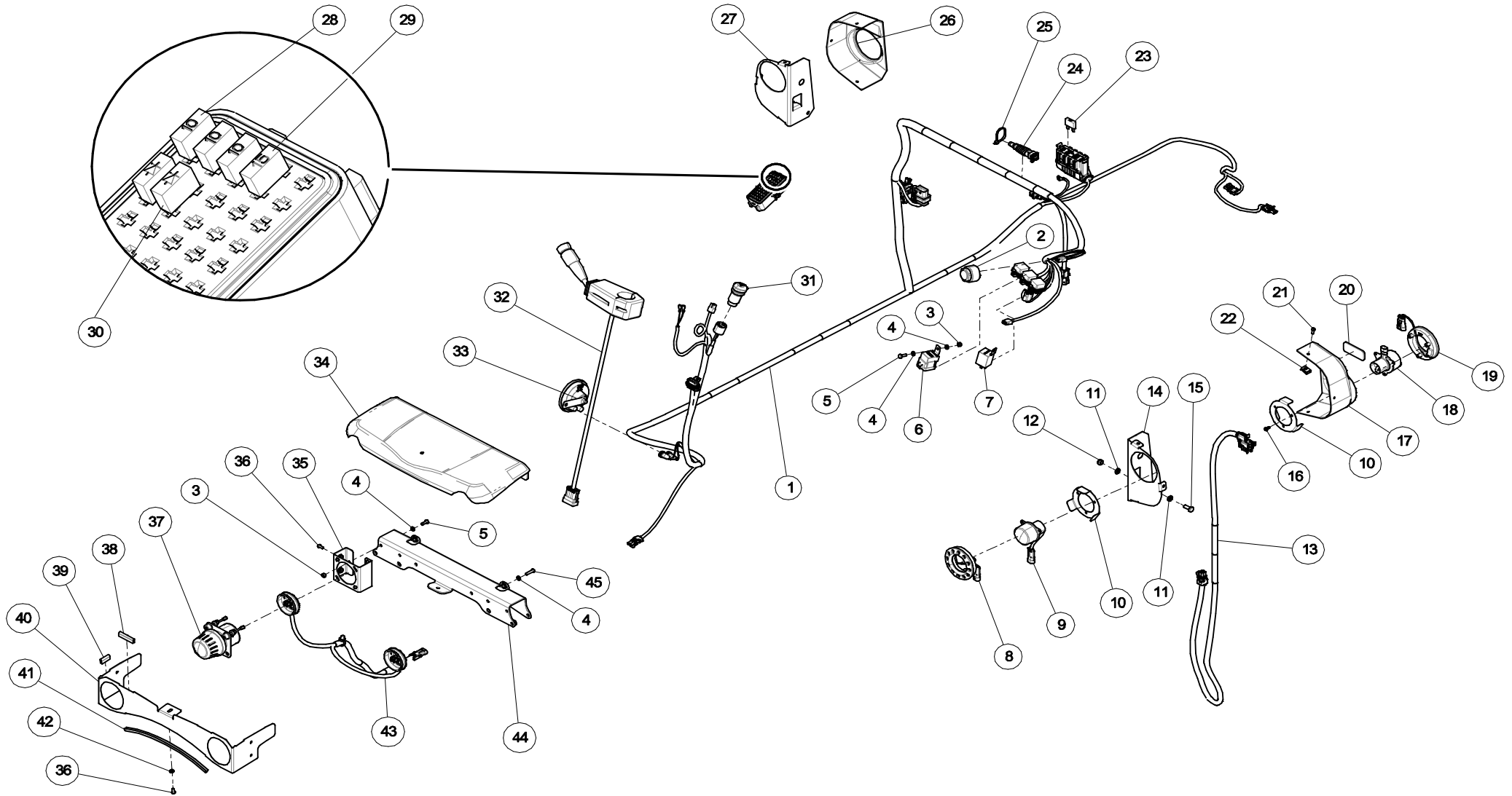


LIGHTING | BELEUCHTUNG | ECLAIRAGE | VERLICHTING
EVB021525 + EVB021545
F3/R3

KEY	PART NO.	QTY	SERIAL NO.	DESCRIPTION	BESCHREIBUNG	DESIGNATION	OMSCHRIJVING	REMARKS
1	EVA000257	1		WIRING HARNESS	KABELBAUM	CABLE FAISCEAU	KABELBUNDEL	LIGHTING
2	RBC044995	1		WARNING BUZZER	SIGNALGEBER	VIBREUR D'ALARME	SIGNAALGEVER	
3	11.05.006	8		LOCKNUT	SICHERUNGSMUTTER	CONTRE-ECROU	ZESK.BORGMOER	DIN985,M6-8-ZN
4	12.11.006	14		WASHER	UNTERLEGSCHIEBE	RONDELLE	SLUITRING	DIN125A,M6-ZN
5	10.02.061	8		SCREW,HEX	SKT.SCHRAUBE	VIS A TETE,HEX	ZESK.TAPBOUT	DIN933,M6X16-8.8-ZN
6	RBA123716	3		RELAY,SEALED	RELAIS	RELAIS	RELAIS	W/BRACKET
7	EVA000470	1		FLASHER RELAY	BLINKRELAIS	RELAIS CLIGNOTANTE	KNIPPERRELAIS	LED
8	EVA000468	2		PARKLIGHT	PARKLEUCHTE	FEU DE STATIONEMENT	PARKEERLICHT	LED
9	EVA000467	2		TURN SIGNAL LAMP	BLINKLEUCHTE	CLIGNOTANT	KNIPPERLICHT	FRONT,LED
10	EVU000952	2		CLAMPING PLATE	SPANNPLATTE	PLAQUE FIXATION	SPANPLAAT	
11	12.11.008	4		WASHER	UNTERLEGSCHIEBE	RONDELLE	SLUITRING	DIN125A,M8-ZN
12	11.05.008	2		LOCKNUT	SICHERUNGSMUTTER	CONTRE-ECROU	ZESK.BORGMOER	DIN985,M8-8-ZN
13	EVA000457	2		WIRING HARNESS	KABELBAUM	CABLE FAISCEAU	KABELBUNDEL	LIGHTING ROPS
14	EVU000951	1		HOLDER LEFT	STUETZE LINKS	SUPPORT GAUCHE	HOUDER LINKS	
15	10.02.089	2		SCREW,HEX	SKT.SCHRAUBE	VIS A TETE,HEX	ZESK.TAPBOUT	DIN933,M8X20-8.8-ZN
16	10.56.038	12		SELF-TAPPING SCREW	SCHNEIDSCHRAUBE	VIS TARAUDEUSE	ZELFTAPPER,SCHROEF	DIN7981C-4.2X13-WZ
17	EVU000954	1		COVER LEFT	ABDECKUNG LINKS	COUVERCLE GAUCHE	AFDEKKING LINKS	
18	EVA000484	2		TURN SIGNAL LAMP	BLINKLEUCHTE	CLIGNOTANT	KNIPPERLICHT	REAR,LED
19	EVA000469	2		REARLIGHT	HECKLEUCHTE	FEU ARRIERE	ACHERLICHT	LED
20	RBC030614	2		REFLECTOR,STICKY	REFLEKTOR,KLEBEN	REFLECTEUR,COLLAGE	PLAK REFLECTOR	
21	10.59.040	6		SCREW,SOC	SCHRAUBE,ISK	VIS A TETE.SPC	BOUT,BZK	ISO7380,M5X16-8.8-ZN
22	EVU000549	6		SPEED NUT	FLACHMUTTER	ECROU RAPIDE	PLAATMOER	M5
23	EVA000595	1		FUSE,BLADE MAXI	SICHERUNG,MAXI	FUSIBLE,MAXI	ZEKERING,MAXI	40A 32V ORANGE
24	EVA001172	1		RESISTOR 1K	WIDERSTAND 1K	RESISTANCE 1K	WEERSTAND 1K	
25	RBC703134	1		TIE BAND	KABELBINDER	BRACELET DE SERRAGE	KABELBINDER	380X8MM

LIGHTING | BELEUCHTUNG | ECLAIRAGE | VERLICHTING
EVB021525 + EVB021545

F3/R3

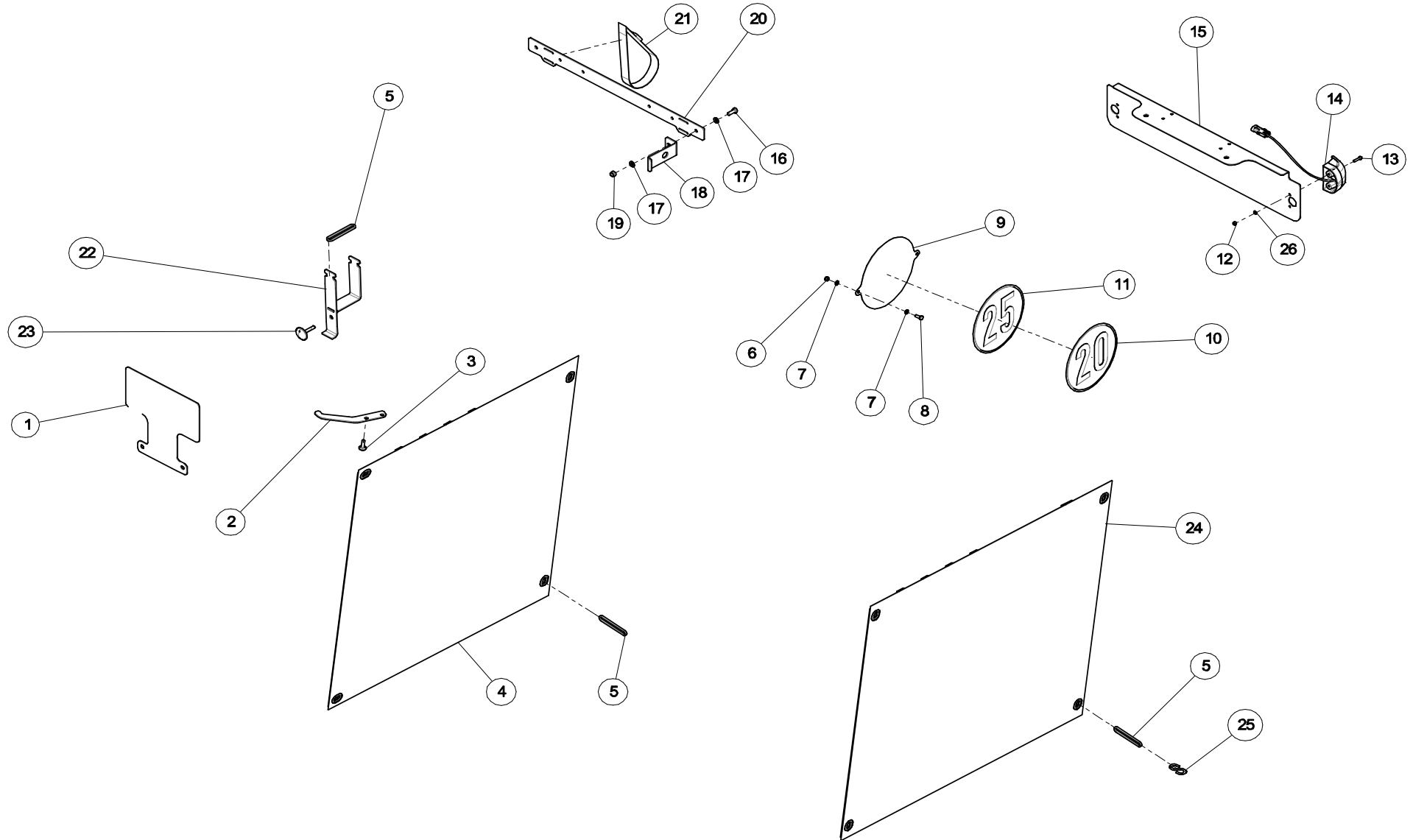


LIGHTING | BELEUCHTUNG | ECLAIRAGE | VERLICHTING
EVB021525 + EVB021545
F3/R3

KEY	PART NO.	QTY	SERIAL NO.	DESCRIPTION	BESCHREIBUNG	DESIGNATION	OMSCHRIJVING	REMARKS
26	EVU000953	1		COVER RIGHT	ABDECKUNG RECHTS	COUVERCLE DROITE	AFDEKKING RECHTS	
27	EVU000950	1		HOLDER RIGHT	STUETZE RECHTS	SUPPORT DROITE	HOUDER RECHTS	
28	EVA000472	3		FUSE, BLADE MINI	SICHERUNG, MINI	FUSIBLE, MINI	ZEKERING, MINI	10A 32V RED
29	EVA000473	1		FUSE, BLADE MINI	SICHERUNG, MINI	FUSIBLE, MINI	ZEKERING, MINI	15A 32V BLUE
30	EVA000477	2		DIODE, MINI, 1A	DIODE, MINI, 1A	DIODE, MINI, 1A	DIODE, MINI, 1A	
31	RBU210675	1		SWITCH	SCHALTER	COMMUTATEUR	SCHAKELAAR	WARNING LIGHTS
32	RBA210323	1		SWITCH, STEERING COLUMN	LENKSTOCKSCHALTER	LEVIER DES CLIGNOTANTS	STUURGREEPSCHAKELAAR	
33	RBA203265	1		SIGNAL HORN	HUPE	AVERTISSEUR	CLAXON	
34	EVA000787	1		COVER PLATE	ABDECKPLATTE	PLAQUE DE RECOUVREMENT	AFDEKPLAAT	
35	EVA000453	2		LAMP-HOLDER	LAMPENHALTERUNG	PORTE-LAMPE	LAMPENHOUDER	
36	10.59.059	5		SCREW, SOC	SCHRAUBE, ISK	VIS A TETE. SPC	BOUT, BZK	ISO7380, M6X12-8.8-ZN
37	EVA000455	2		HEADLIGHT	SCHEINWERFER	PHARE	KOPLAMP	
37	EVA000486	2		HEADLIGHT	SCHEINWERFER	PHARE	KOPLAMP	LEFT DRIVING
38	EVA000342	2		RIM PROTECTION	KANTENSCHUTZ	PROFILE DE PROTECTION	KANTPROFIEL	L=50MM
39	EVA000342	2		RIM PROTECTION	KANTENSCHUTZ	PROFILE DE PROTECTION	KANTPROFIEL	L=30MM
40	EVU001348	1		COVER PLATE	ABDECKPLATTE	PLAQUE DE RECOUVREMENT	AFDEKPLAAT	
41	CA-03-83	1		SEALING TRIM	KEDER	BANDE DE GARNISSAGE	KANTPROFIEL	L=300MM
42	12.01.006	1		WASHER, SPRING	FEDERRING	RONDELLE FREIN	VEERRING	DIN128, M6-ZN
43	EVA000259	1		WIRING HARNESS	KABELBAUM	CABLE FAISCEAU	KABELBUNDEL	HEAD LIGHTS
44	EVA000454	1		ROLLER SUPPORT	ROLLENSTUETZE	APPUI GALET	ROLHOUDERSTEUN	
45	10.59.065	2		SCREW, SOC	SCHRAUBE, ISK	VIS A TETE. SPC	BOUT, BZK	ISO7380, M6X25-8.8-ZN

COVERS | ABDECKPLAN | HOUSSES DE PROTECTION | BESCHERMHOEZEN
EVB021526 + EVB021527 + EVB021528 + EVB021529 + EVB021530 + EVB021531 + EVB021532 + EVB021533

F3/R3



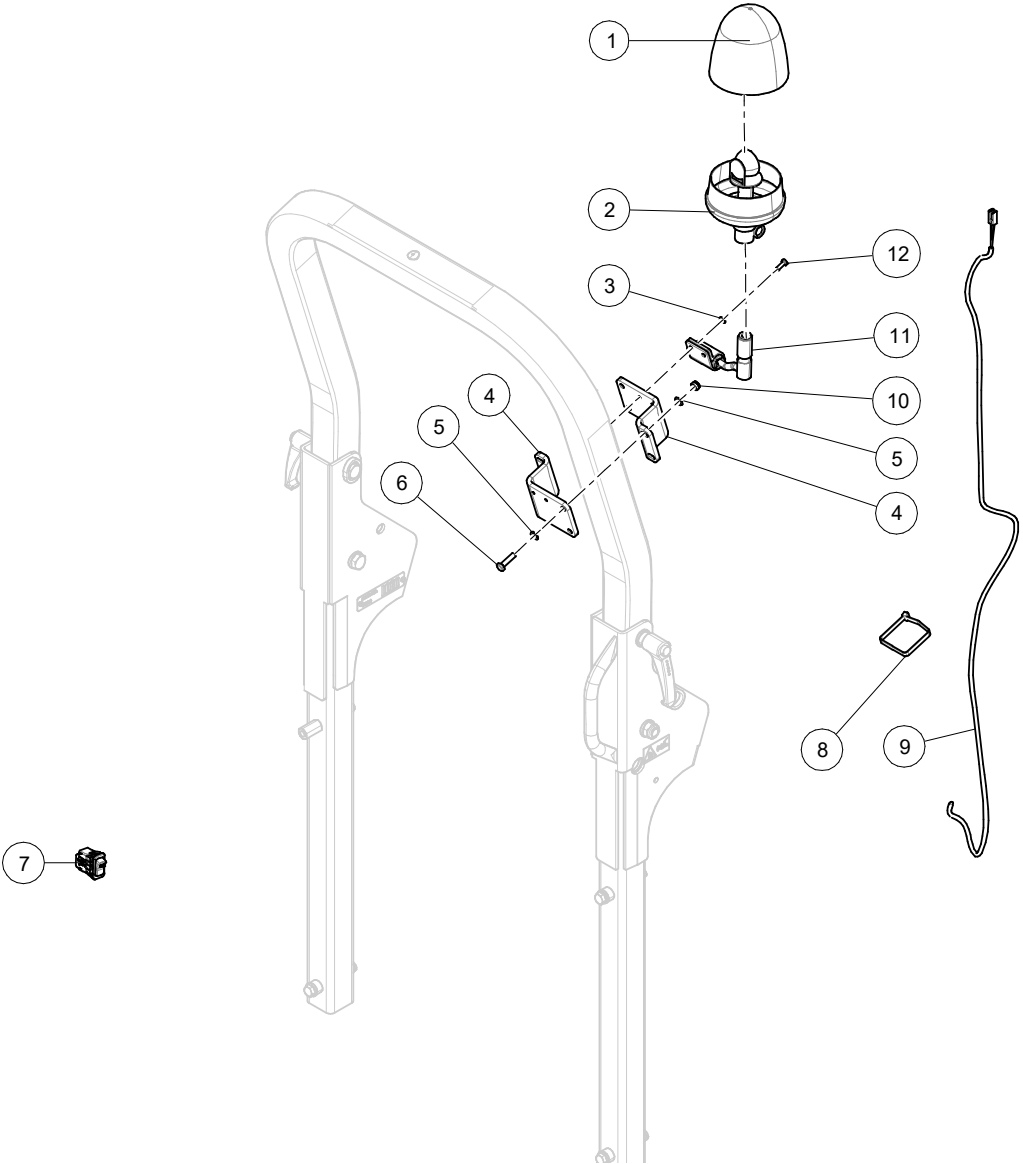
COVERS | ABDECKPLAN | HOUSSES DE PROTECTION | BESCHERMHOEZEN
EVB021526 + EVB021527 + EVB021528 + EVB021529 + EVB021530 + EVB021531 + EVB021532 + EVB021533
F3/R3

KEY	PART NO.	QTY	SERIAL NO.	DESCRIPTION	BESCHREIBUNG	DESIGNATION	OMSCHRIJVING	REMARKS
1	EVU000997	1		BRACKET	HALTER	SUPPORT	HOUDER	LICENSE PLATE FRONT
2	EVU000972	4		MOUNTING STRIP	MONTAGESTREIFEN	BANDE DE MONTAGE	MONTAGESTRIP	
3	10.15.091	8		BOLT,RH,SQNECK	FLACHRUNDSCHRAUBE	VIS A TETE BOMBEE	SLOTBOUT	DIN603,M8X25-8.8-ZN
4	EVA000493	2		GUARD	SCHUTZ	GARANT	BESCHERMHOES	FLAIL CUTTING UNIT
5	RBC029445	4		RUBBER BAND	GUMMIRING	ANNEAU	RUBBERRING	50MM
6	11.05.006	6		LOCKNUT	SICHERUNGSMUTTER	CONTRE-ECROU	ZESK.BORGMOER	DIN985,M6-8-ZN
7	12.11.006	12		WASHER	UNTERLEGSCHIEBE	RONDELLE	SLUITRING	DIN125A,M6-ZN
8	10.02.061	6		SCREW,HEX	SKT.SCHRAUBE	VIS A TETE,HEX	ZESK.TAPBOUT	DIN933,M6X16-8.8-ZN
9	EVU000975	3		PLATE	PLATTE	PLAQUE	PLAAT	
10	RBC027148	3		DECAL	AUFKLEBER	AUTOCOLLANT	STICKER	20KM
11	RBC012990	3		DECAL	AUFKLEBER	AUTOCOLLANT	STICKER	25KM
12	11.05.005	4		LOCKNUT	SICHERUNGSMUTTER	CONTRE-ECROU	ZESK.BORGMOER	DIN985,M5-6-ZN
13	10.02.043	4		SCREW,HEX	SKT.SCHRAUBE	VIS A TETE,HEX	ZESK.TAPBOUT	DIN933,M5X20-8.8-ZN
14	EVA000485	2		LICENSE PLATE LIGHT	KENNZEICHENLEUCHE	ECLAIR PLAQUE	KENTEKENPLAATLAMP	LED
15	EVU000980	1		BRACKET	HALTER	SUPPORT	HOUDER	LICENSE PLATE BACK
16	10.02.089	2		SCREW,HEX	SKT.SCHRAUBE	VIS A TETE,HEX	ZESK.TAPBOUT	DIN933,M8X20-8.8-ZN
17	12.11.008	4		WASHER	UNTERLEGSCHIEBE	RONDELLE	SLUITRING	DIN125A,M8-ZN
18	EVU000974	2		BRACKET	HALTER	SUPPORT	HOUDER	
19	11.05.008	2		LOCKNUT	SICHERUNGSMUTTER	CONTRE-ECROU	ZESK.BORGMOER	DIN985,M8-8-ZN
20	EVU000973	1		STRIP	STREIFEN	BANDE	STRIP	
21	W65-70-039	2		STRAP	SCHNUREN	CERCLAGE	SJORBAND	
22	EVA000730	2		BRACKET	HALTER	SUPPORT	HOUDER	CAB VERSION ONLY
23	EVU000756	2		BOLT	BOLZEN	BOULON	BOUT	
24	RBC200913	2		GUARD	SCHUTZ	GARANT	BESCHERMHOES	REEL CUTTING UNIT
25	RBC029444	4		S-HOOK	S-HAKEN	CROCHET EN S	S-HAAK	
26	12.11.005	4		WASHER	UNTERLEGSCHIEBE	RONDELLE	SLUITRING	DIN125A,M5-ZN

WARNING BEACON | RUNDUMLEUCHT | GYROPHARE | ZWAAILAMP

EVB021534

F3/R3



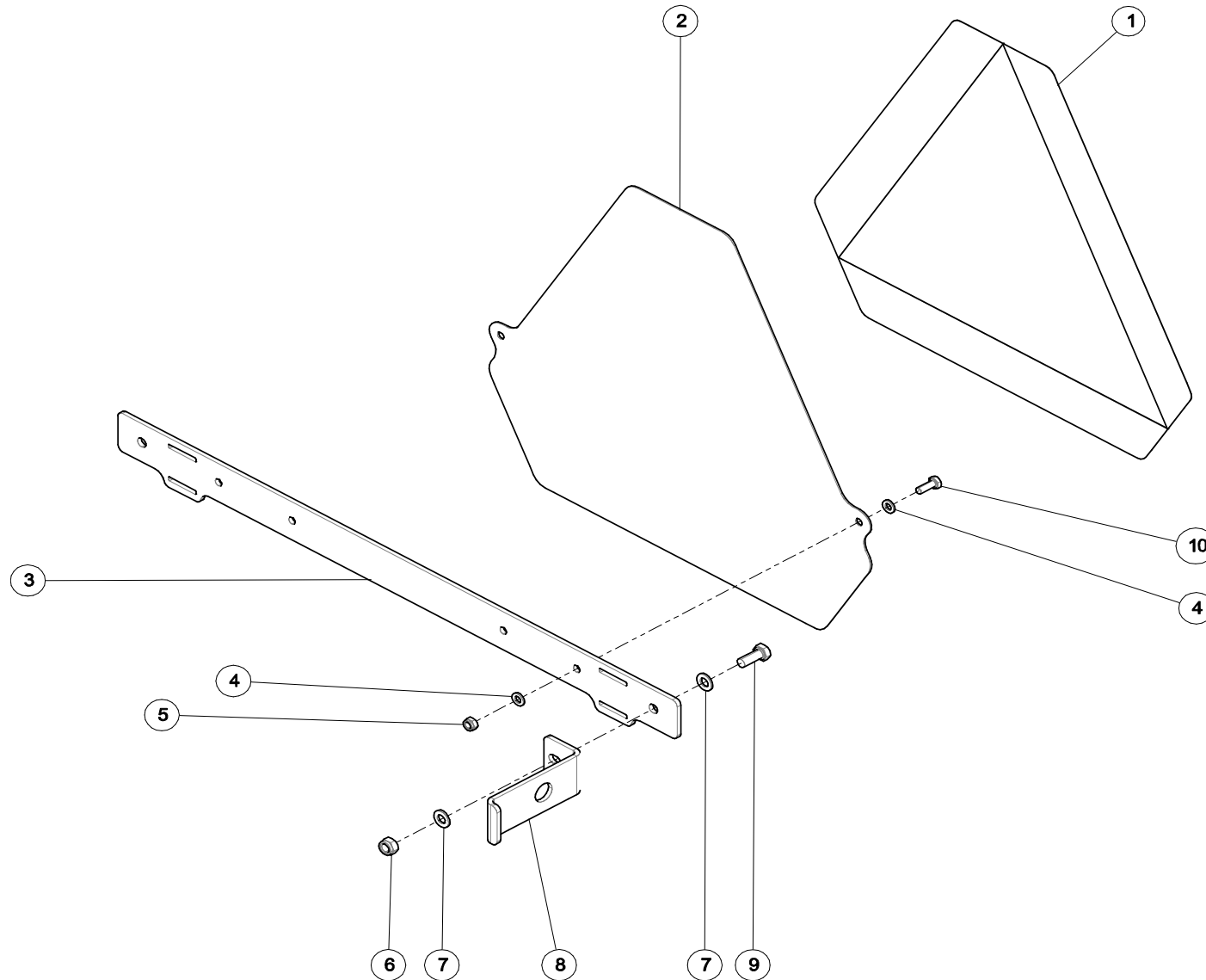
WARNING BEACON | RUNDUMLEUCHT | GYROPHARE | ZWAAILAMP

EVB021534

F3/R3

KEY	PART NO.	QTY	SERIAL NO.	DESCRIPTION	BESCHREIBUNG	DESIGNATION	OMSCHRIJVING	REMARKS
1	EVU001339	1		LENS	LICHTSCHEIBE	CABOCHON	GLASKAP	
2	RBC030498	1		ROTATING LIGHT	RUNDUMLEUCHTE	AVERTISSANT	ZWAAILAMP	
3	12.11.006	2		WASHER	UNTERLEGSCHIEBE	RONDELLE	SLUITRING	DIN125A,M6-ZN
4	EVU001083	2		CLAMPING STRIP	KLEMMSTREIFEN	BARRE DE SERRAGE	KLEMSTRIP	
5	12.11.008	8		WASHER	UNTERLEGSCHIEBE	RONDELLE	SLUITRING	DIN125A,M8-ZN
6	10.02.092	4		SCREW,HEX	SKT.SCHRAUBE	VIS A TETE,HEX	ZESK.TAPBOUT	DIN933,M8X30-8.8-ZN
7	EVA000359	1		SWITCH	SCHALTER	CONTACTEUR	SCHAKELAAR	BEACON LIGHT
8	RBC703134	3		TIE BAND	KABELBINDER	BRACELET DE SERRAGE	KABELBINDER	380X8MM
9	EVA000604	1		WIRING HARNESS	KABELBAUM	CABLE FAISCEAU	KABELBUNDEL	WARNING BEACON
10	11.05.008	4		LOCKNUT	SICHERUNGSMUTTER	CONTRE-ECROU	ZESK.BORGMOER	DIN985,M8-8-ZN
11	RBC046809	1		SUPPORT	STUETZE	SUPPORT	HOUDER	
12	10.02.061	2		SCREW,HEX	SKT.SCHRAUBE	VIS A TETE,HEX	ZESK.TAPBOUT	DIN933,M6X16-8.8-ZN

WARNING TRIANGLE | WARNDREIECK | TRIANGLE DE SIGNALATION | GEVARENDRIEHOEK
EVB021535 / EVB021536
F3/R3



WARNING TRIANGLE | WARNDREIECK | TRIANGLE DE SIGNALATION | GEVARENDRIEHOEK

EVB021535 / EVB021536

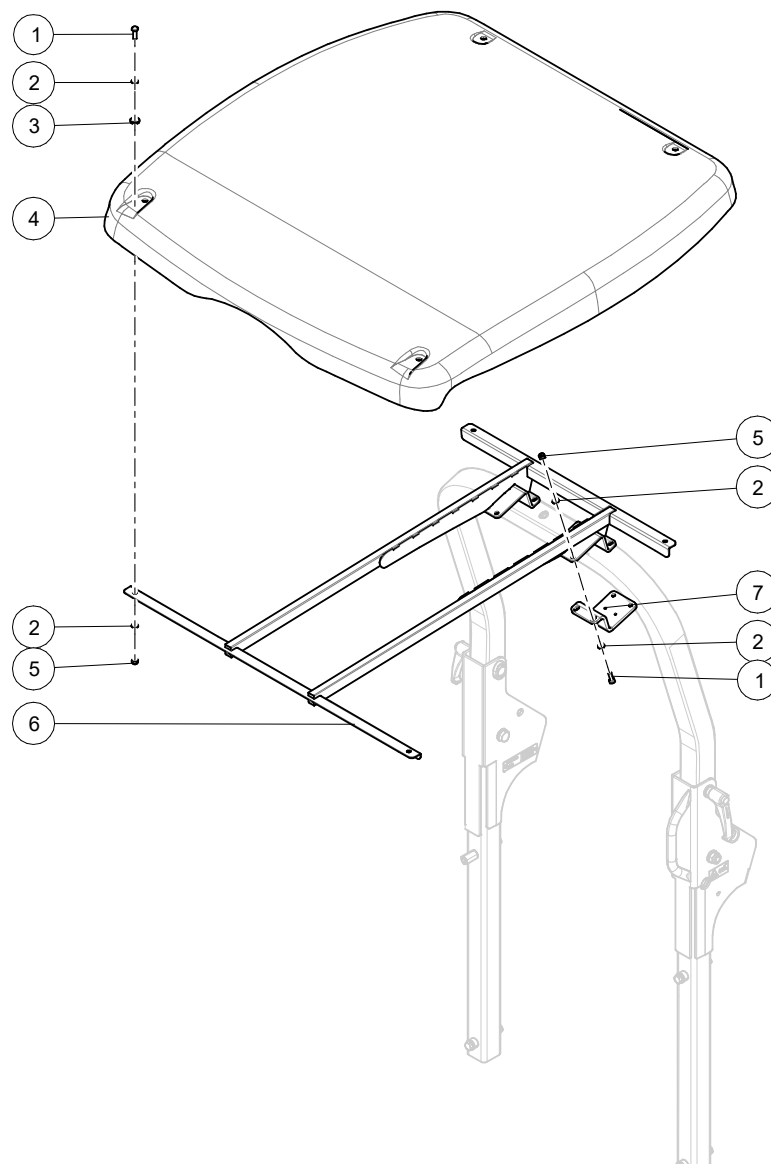
F3/R3

KEY	PART NO.	QTY	SERIAL NO.	DESCRIPTION	BESCHREIBUNG	DESIGNATION	OMSCHRIJVING	REMARKS
1	RBC046610	1		DECAL	AUFKLEBER	AUTOCOLLANT	STICKER	WARNING TRIANGLE,NL ECE69-01
2	EVU000976	1		PLATE	PLATTE	PLAQUE	PLAAT	
3	EVU000973	1		STRIP	STREIFEN	BANDE	STRIP	
4	12.11.006	4		WASHER	UNTERLEGSCHIEBE	RONDELLE	SLUITRING	DIN125A,M6-ZN
5	11.05.006	2		LOCKNUT	SICHERUNGSMUTTER	CONTRE-ECROU	ZESK.BORGMOER	DIN985,M6-8-ZN
6	11.05.008	2		LOCKNUT	SICHERUNGSMUTTER	CONTRE-ECROU	ZESK.BORGMOER	DIN985,M8-8-ZN
7	12.11.008	4		WASHER	UNTERLEGSCHIEBE	RONDELLE	SLUITRING	DIN125A,M8-ZN
8	EVU000974	2		BRACKET	HALTER	SUPPORT	HOUDER	
9	10.02.089	2		SCREW,HEX	SKT.SCHRAUBE	VIS A TETE,HEX	ZESK.TAPBOUT	DIN933,M8X20-8.8-ZN
10	10.02.061	2		SCREW,HEX	SKT.SCHRAUBE	VIS A TETE,HEX	ZESK.TAPBOUT	DIN933,M6X16-8.8-ZN

CANOPY | SCHUTDACH | CANOPY | ZONNEKAP

EVB021538

F3/R3



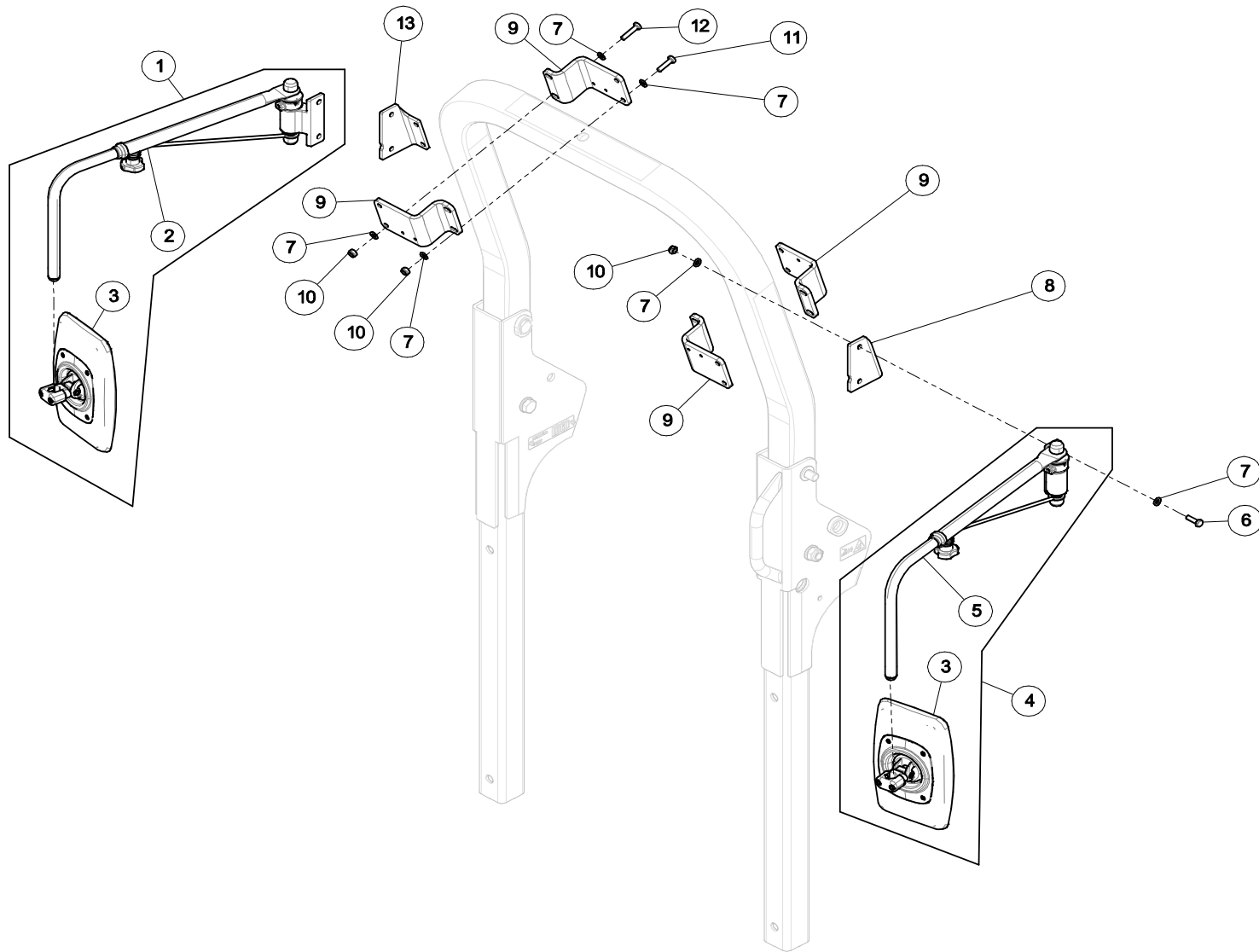
CANOPY | SCHUTDACH | CANOPY | ZONNEKAP

EVB021538

F3/R3

KEY	PART NO.	QTY	SERIAL NO.	DESCRIPTION	BESCHREIBUNG	DESIGNATION	OMSCHRIJVING	REMARKS
1	10.02.091	12		SCREW,HEX	SKT.SCHRAUBE	VIS A TETE,HEX	ZESK.TAPBOUT	DIN933,M8X25-8.8-ZN
2	12.11.008	24		WASHER	UNTERLEGSCHIEBE	RONDELLE	SLUITRING	DIN125A,M8-ZN
3	EVU001299	4		RUBBER RING	GUMMIRING	RONDELLE DE CAOUTCHOUC	RUBBER RING	
4	EVU001294	1		CANOPY	SCHUTZDACH	CANOPY	ZONNEKAP	
5	11.05.008	12		LOCKNUT	SICHERUNGSMUTTER	CONTRE-ECROU	ZESK.BORGMOER	DIN985,M8-8-ZN
6	EVA000720	1		FRAME	RAHMEN	BATI	FRAME	
7	EVU001083	2		CLAMPING STRIP	KLEMMSTREIFEN	BARRE DE SERRAGE	KLEMSTRIP	

MIRROR | SPIEGEL | MIROIR | SPIEGEL
EVB034538 + EVB034539
F3/R3



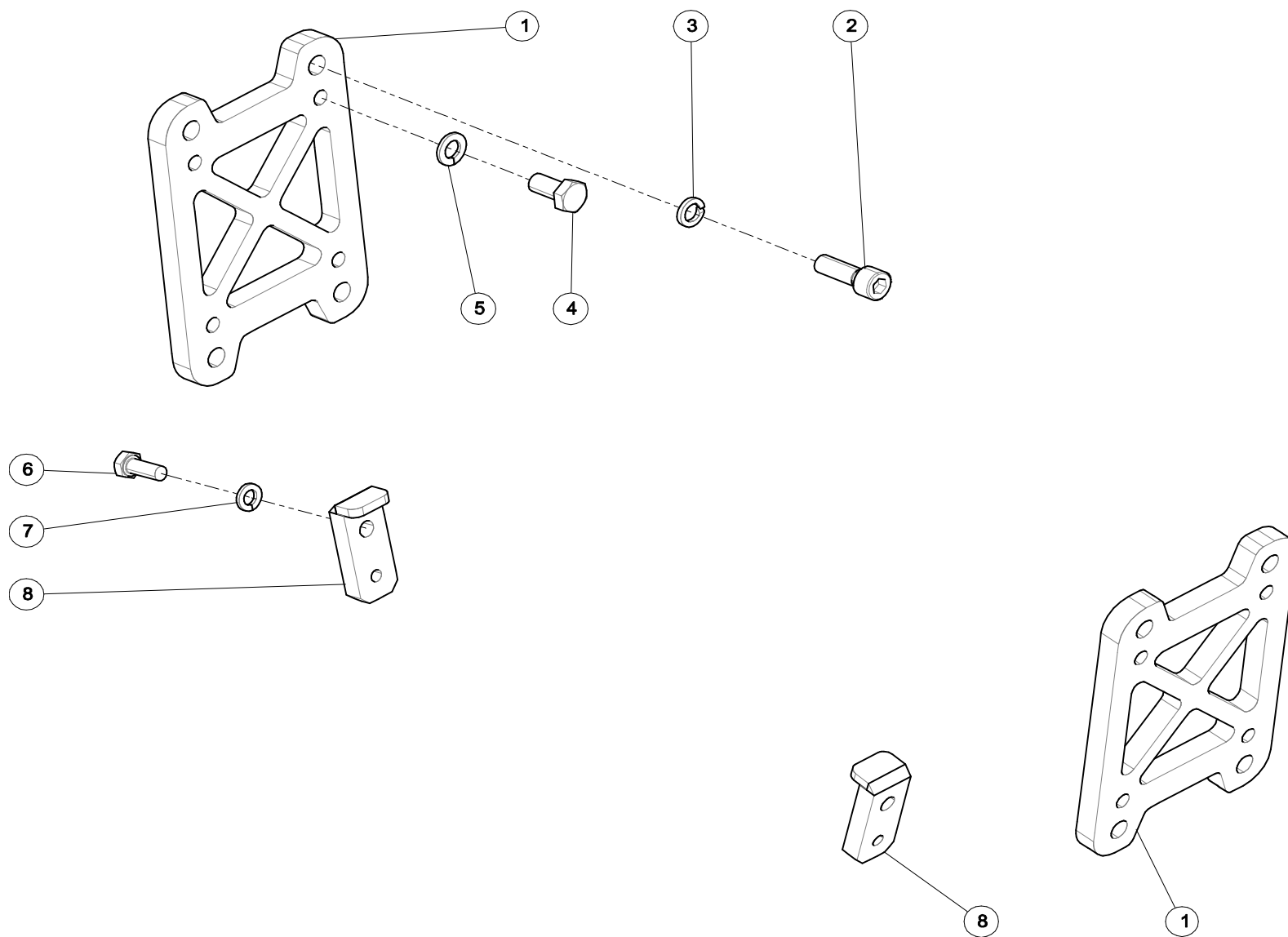
MIRROR | SPIEGEL | MIROIR | SPIEGEL
EVB034538 + EVB034539
F3/R3

KEY	PART NO.	QTY	SERIAL NO.	DESCRIPTION	BESCHREIBUNG	DESIGNATION	OMSCHRIJVING	REMARKS
1	EVA001082	1		MIRROR	SPIEGEL	MIROIR	SPIEGEL	CPL. RIGHT
2	EVA001085	1		SUPPORT,MIRROR	HALTER,SPIEGEL	SUPPORT,MIROIR	HOUDER,SPIEGEL	CPL. RIGHT
3	EVA001083	1		MIRROR	SPIEGEL	MIROIR	SPIEGEL	
4	EVA001081	1		MIRROR	SPIEGEL	MIROIR	SPIEGEL	CPL. LEFT
5	EVA001084	2		SUPPORT,MIRROR	HALTER,SPIEGEL	SUPPORT,MIROIR	HOUDER,SPIEGEL	CPL. LEFT
6	10.02.091	2		SCREW,HEX	SKT.SCHRAUBE	VIS A TETE,HEX	ZESK.TAPBOUT	DIN933,M8X25-8.8-ZN
7	12.11.008	12		WASHER	UNTERLEGSCHIEBE	RONDELLE	SLUITRING	DIN125A,M8-ZN
8	EVU001844	1		BRACKET,MIRROR	STUETZE,SPIEGEL	APPUI,MIROIR	MONTAGEPLAAT,SPIEGEL	LEFT
9	EVU001083	2		CLAMPING STRIP	KLEMMSTREIFEN	BARRE DE SERRAGE	KLEMSTRIP	
10	11.05.008	6		LOCKNUT	SICHERUNGSMUTTER	CONTRE-ECROU	ZESK.BORGMOER	DIN985,M8-8-ZN
11	10.02.092	2		SCREW,HEX	SKT.SCHRAUBE	VIS A TETE,HEX	ZESK.TAPBOUT	DIN933,M8X30-8.8-ZN
12	10.04.093	2		SCREW,HEX	SKT.SCHRAUBE	VIS A TETE,HEX	ZESK.BOUT	DIN931,M8X35-8.8-ZN
13	EVU001845	1		BRACKET,MIRROR	STUETZE,SPIEGEL	APPUI,MIROIR	MONTAGEPLAAT,SPIEGEL	RIGHT

ADJUSTER PLATES | VERSTELLUNGSPLETTEN | PLAQUES D'ADJUSTEMENT | VERSTELPLATEN

EVB021539

F3/R3



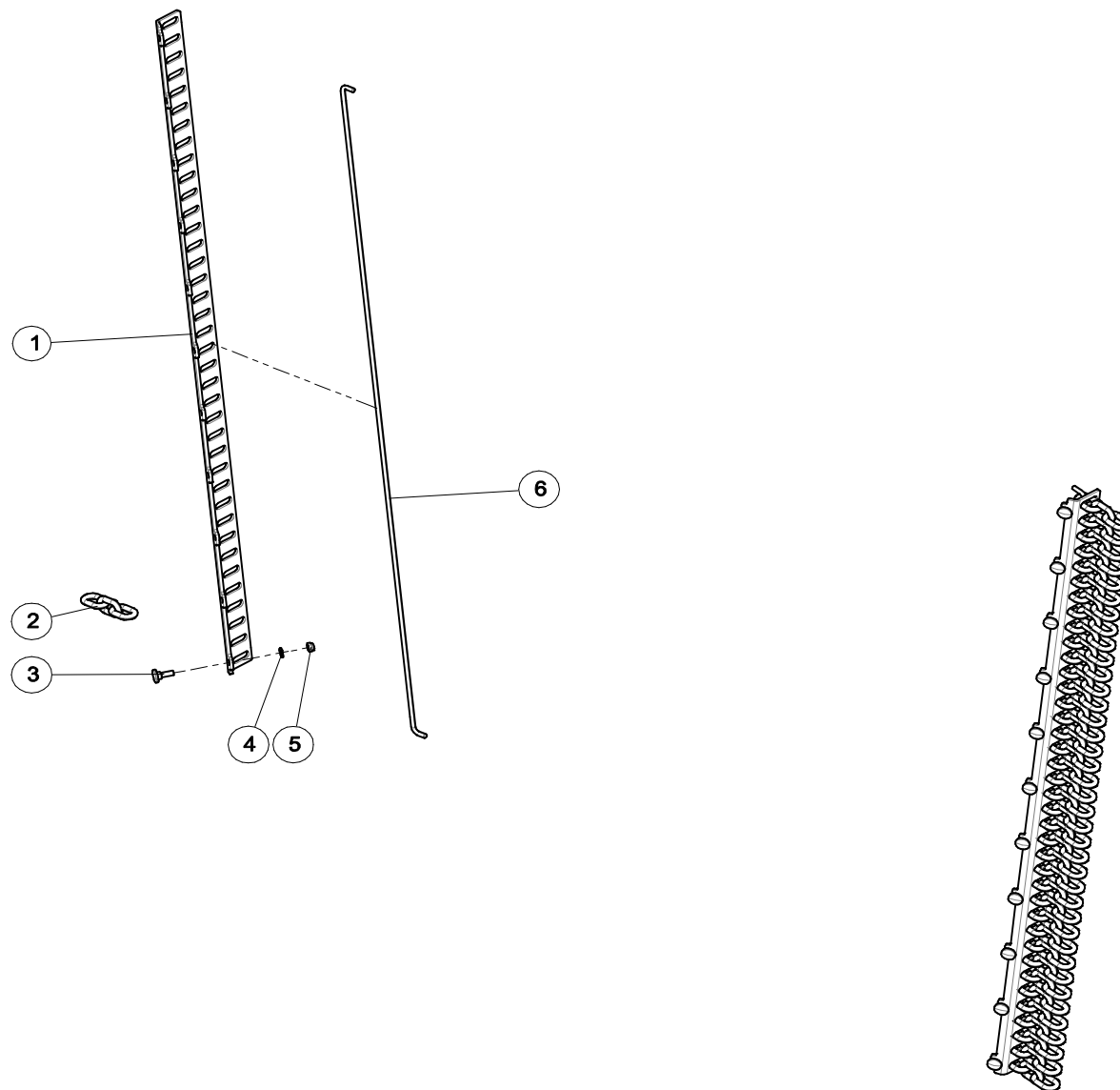
ADJUSTER PLATES | VERSTELLUNGSPLATTEN | PLAQUES D'ADJUSTEMENT | VERSTELPLATEN

EVB021539

F3/R3

KEY	PART NO.	QTY	SERIAL NO.	DESCRIPTION	BESCHREIBUNG	DESIGNATION	OMSCHRIJVING	REMARKS
1	EVU001307	2		ADJUSTING PLATE	EINSTELLPLATTE	PLAQUE D'ADJUSTMENT	AFSTELPLAAT	
2	10.28.121	8		SCREW,SOC	ZYL.SCHRAUBE,ISK	VIS A TETE,CYL.SPC	CIL.BOUT,BZK	DIN912,M10X30-8.8-ZN
3	12.01.210	8		SPRING WASHER	FEDERRING	RONDELLE GROWER	VEERRING	DIN7980 M10
4	10.02.118	8		SCREW,HEX	SKT.SCHRAUBE	VIS A TETE,HEX	ZESK.TAPBOUT	DIN933,M10X20-8.8-ZN
5	12.01.010	8		WASHER,SPRING	FEDERRING	RONDELLE FREIN	VEERRING	DIN128,M10-ZN
6	10.02.089	2		SCREW,HEX	SKT.SCHRAUBE	VIS A TETE,HEX	ZESK.TAPBOUT	DIN933,M8X20-8.8-ZN
7	12.01.008	2		WASHER,SPRING	FEDERRING	RONDELLE FREIN	VEERRING	DIN128,M8-ZN
8	EVA000728	2		EXTENSION	VERLANGERUNG	EXTENSION	VERLENGING	FOR BUFFER

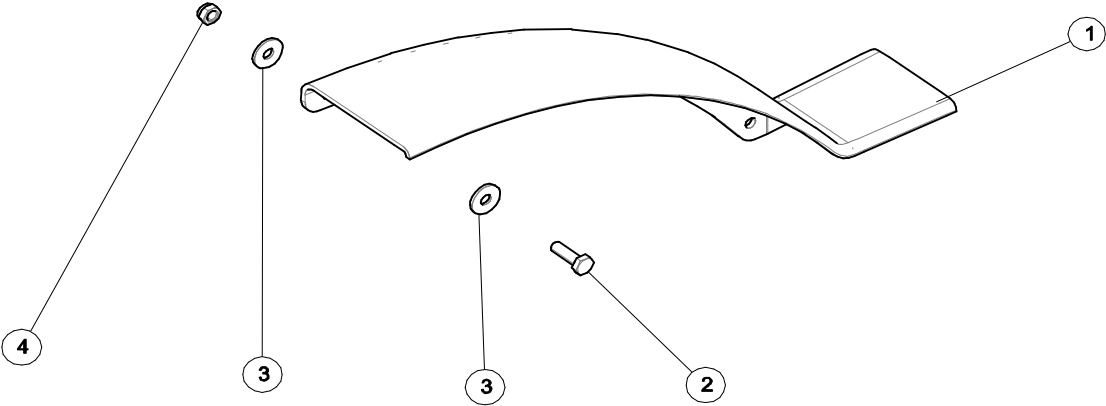
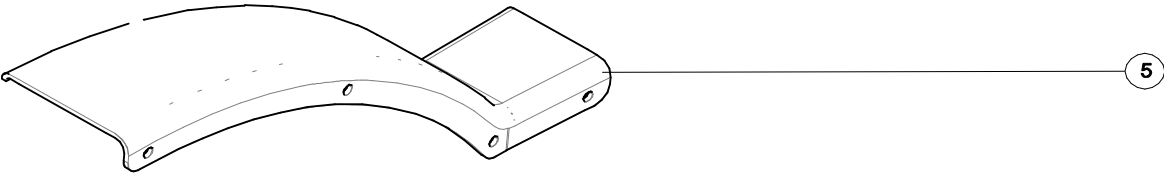
DEFLECTOR KIT | ABWEISER SATZ | KIT DEFLECTEUR | UITWORPBEVEILIGINGSSET
EVB021540
F3/R3



DEFLECTOR KIT | ABWEISER SATZ | KIT DEFLECTEUR | UITWORPBEVEILIGINGSSET
EVB021540
F3/R3

KEY	PART NO.	QTY	SERIAL NO.	DESCRIPTION	BESCHREIBUNG	DESIGNATION	OMSCHRIJVING	REMARKS
1	EVA000725	2		PLATE,CHAIN MOUNTING F3	PLATTE,KETTEMONTAGE F3	PLAQUE,MONTAGE CHAINE F3	PLAAT,KETTINGMONTAGE F3	
2	EVA000726	76		CHAIN	KETTE	CHAINE	KETTING	S6 L=3 LINKS DIN766 ZN
3	10.15.040	22		BOLT,RH,SQNECK	FLACHRUNDSCHRAUBE	VIS A TETE BOMBEE	SLOTBOUT	DIN603,M5X16-8.8-ZN
4	12.11.005	22		WASHER	UNTERLEGSCHIEBE	RONDELLE	SLUITRING	DIN125A,M5-ZN
5	11.05.005	22		LOCKNUT	SICHERUNGSMUTTER	CONTRE-ECROU	ZESK.BORGMOER	DIN985,M5-6-ZN
6	EVU001972	2		WIRE	DRAHT	FIL	DRAAD	4X800MM

MUDGUARD KIT | KOTTFLUGEL SATZ | KIT GARDE BOUE | SET SPATBORDEN
EVB021542
F3/R3



MUDGUARD KIT | KOTTFLUGEL SATZ | KIT GARDE BOUE | SET SPATBORDEN
EVB021542
F3/R3

KEY	PART NO.	QTY	SERIAL NO.	DESCRIPTION	BESCHREIBUNG	DESIGNATION	OMSCHRIJVING	REMARKS
1	EVU001769	1		MUDGUARD	KOTTFLUGEL	GARDE BOUE	SPATBORD	LEFT
2	10.02.063	8		SCREW,HEX	SKT.SCHRAUBE	VIS A TETE,HEX	ZESK.TAPBOUT	DIN933,M6X20-8.8-ZN
3	12.15.106	16		WASHER	UNTERLEGSCHIEBE	RONDELLE	SLUITRING	DIN9021-M6-ZN
4	11.05.006	8		LOCKNUT	SICHERUNGSMUTTER	CONTRE-ECROU	ZESK.BORGMOER	DIN985,M6-8-ZN
5	EVU001770	1		MUDGUARD	KOTTFLUGEL	GARDE BOUE	SPATBORD	RIGHT