

# SPEARHEAD

## GT 135/GT 155 ROTARY CRUSHER



Edition 1.0 - July 2018  
Part No. 8999126

# PARTS MANUAL

# SPEARHEAD CT 135/155

---

## ORDERING PARTS

When ordering parts, please refer to your parts list to help your dealer with your order. Please provide the following information:

Model Number

Engine Model

Part Number and quantity

Description

Serial number of machine

Delivery instructions (e.g. next day)

SPEARHEAD	
Evesham, WR11 8SW, GB www.spearheadmachinery.com Tel: +44 (0)1789 491 860	
CE	
MACHINE	MODEL TYPE
SERIAL No.	PROD. YEAR
MASS (Kg)	MODEL YEAR
8771055	MADE IN ENGLAND

**SERIAL NUMBER  
LOCATION**

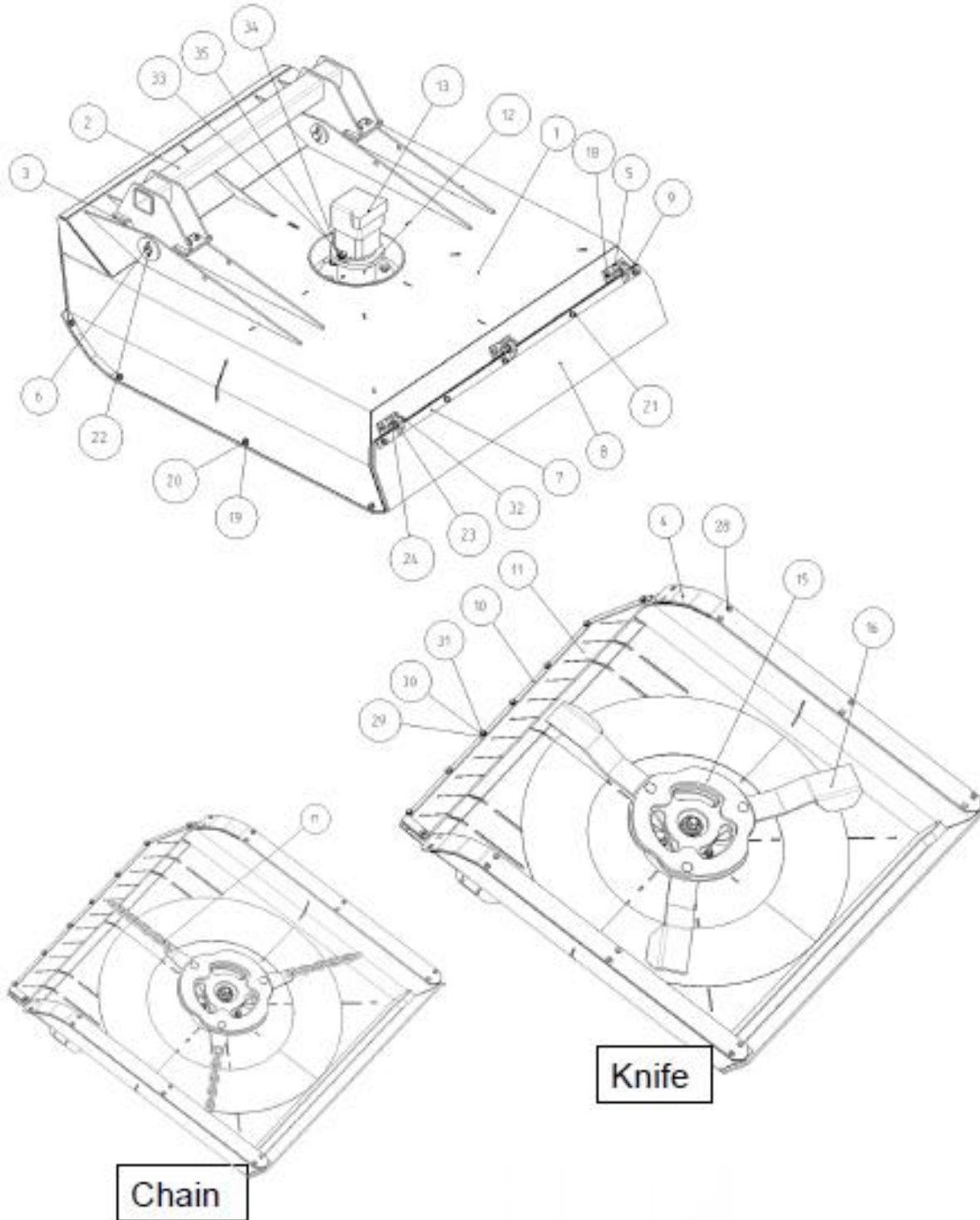
Delivery is normally via carrier direct to your dealer. Please check with your dealer for stock availability and arrangement of dispatch. Ensure you or your dealer has sufficient cover for parts requirement outside factory hours.

### **Important Note:**

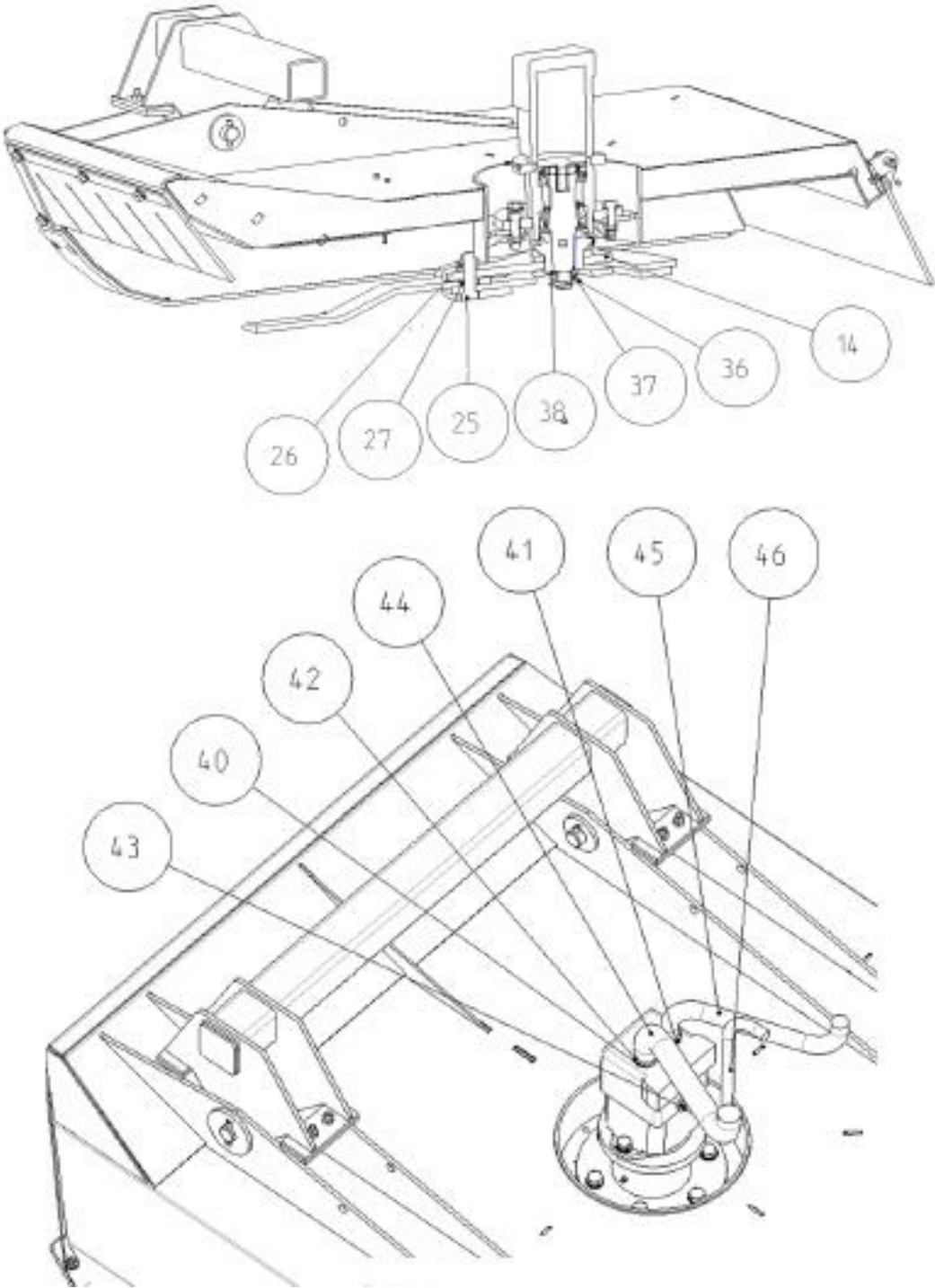
The information contained in this manual is correct at the time of publication. However, in the course of constant development, changes in specification are inevitable. Should you find the information given in this book different to the machine it relates to, please the "After Sales Department" at Spearhead Machinery for advice.

# SPEARHEAD CT 135/155

## SPARE PARTS

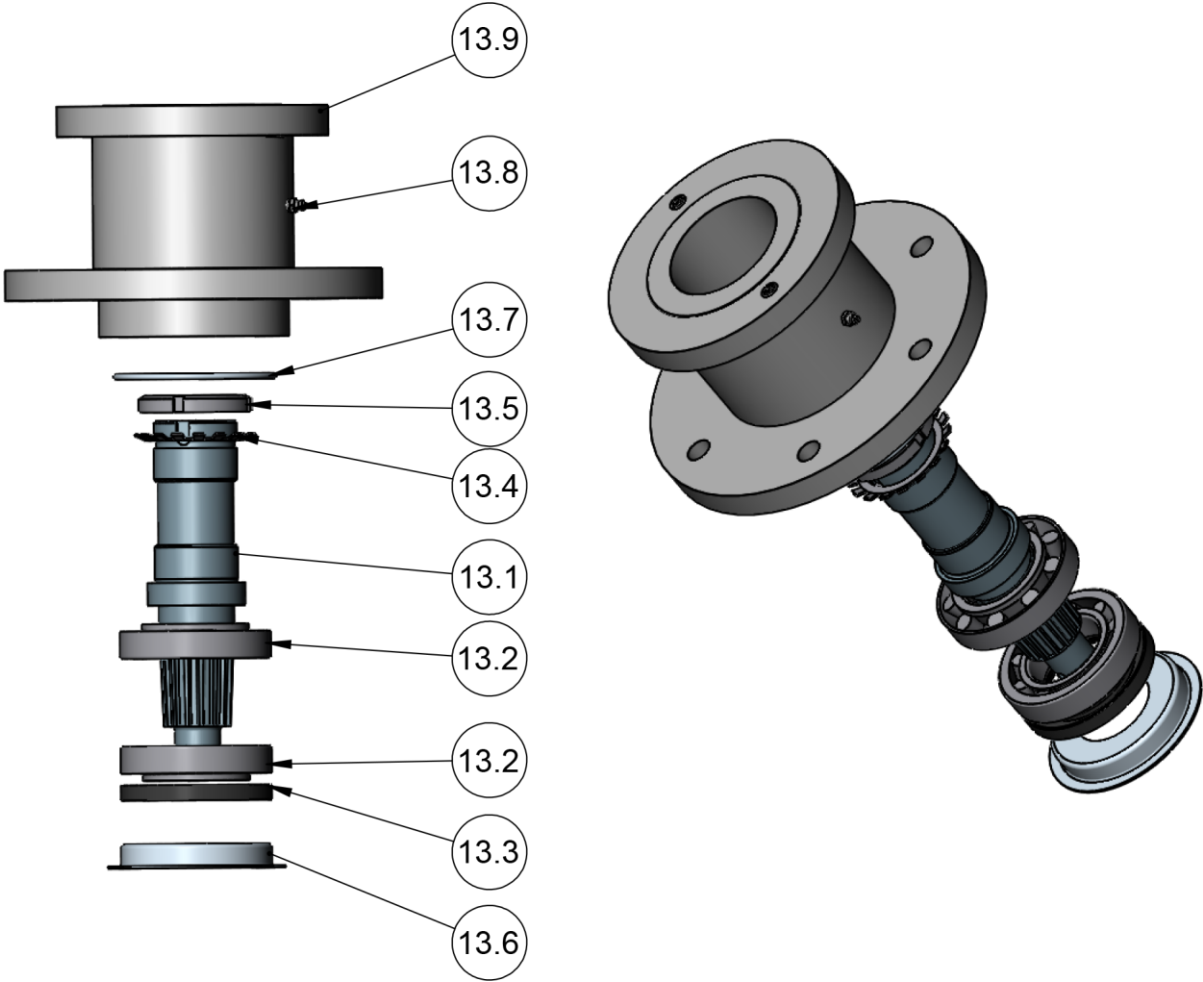


# SPEARHEAD CT 135/155



# SPEARHEAD CT 135/155

## BEARING HOUSING PARTS BREAKDOWN



# SPEARHEAD CT 135/155

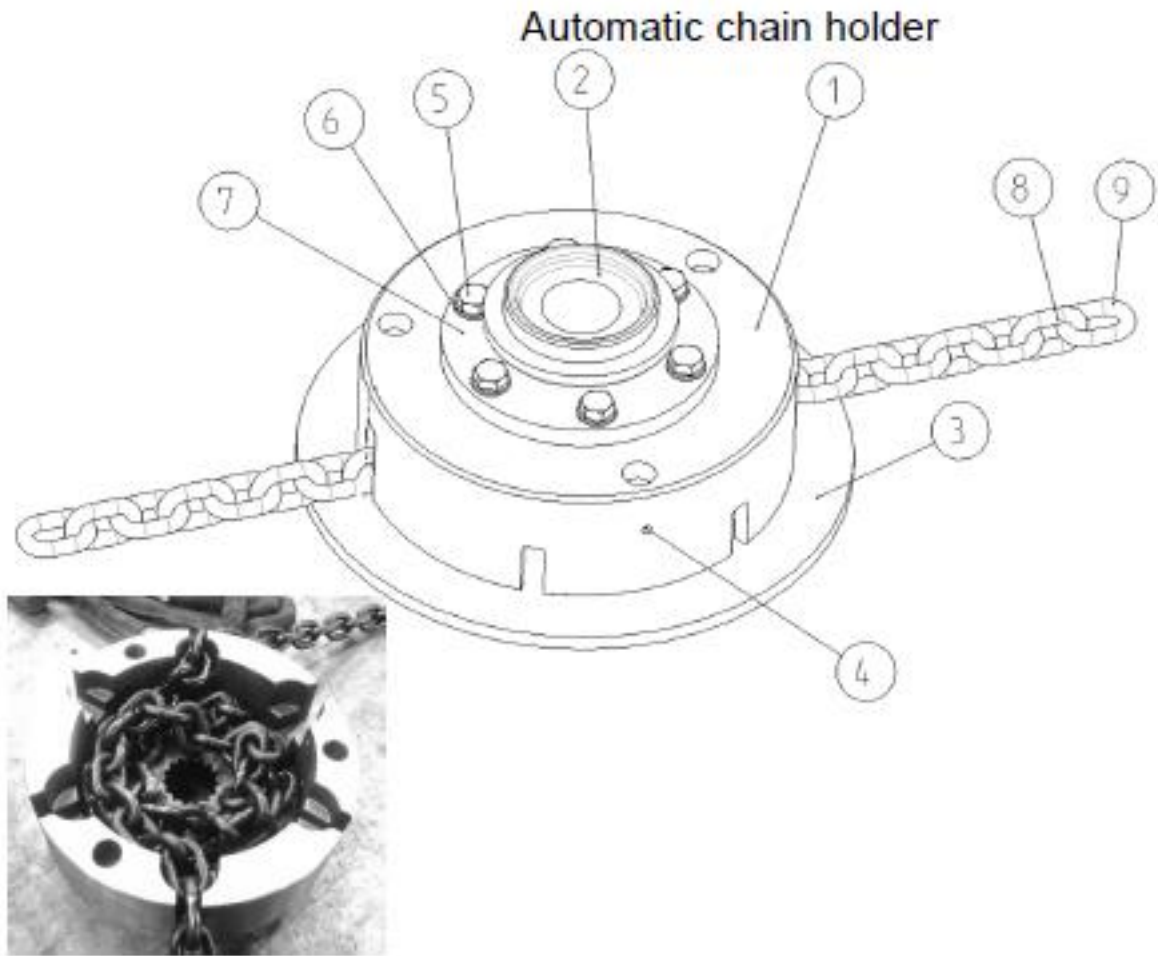
ITEM NO.	GT 135	GT 155	DESCRIPTION.	QTY.
1	8821501	8831525	HOUSING	1
2	8821530	8831526	ADAPTOR TOP	1
3	8821503		STOPPER	4
4	8821504		SKID	2
5	8821505		HINGE JOINT	3
6	8822506		BOLT	2
7	8821507	8831523	HINGE JOINT BACK	1
8	8828508	8828509	RUBBER	1
9	8821506	8831519	FLAT STEEL	1
10	8821511	8831518	FLAT STEEL	1
11	8828512	8838510	FRONT RUBBER	1
12	4771632		MOTOR ADAPTOR	1
13	8823001		OIL MOTOR	1
13a	8823001.2		SEALING SET MOTOR	1
13.1	4771632.01		SHAFT	1
13.2	4771602		BEARING	2
13.3	4771632.03		OIL SEAL	1
13.4	4771632.04		TAB WASHER	1
13.5	4771632.05		LOCKING NUT	1
13.6	5771406		METAL COVER	1
13.7	4771632.07		O RING	1
13.8	2770468		GREASE NIPPLE	1
13.9	4771632.09		BEARING HOUSING CASING	1
14	8821527.0		BLADE CARRIER	1
15	8822515.0		KNIFE HOLDER	1
16	7770702		ROTOR KNIFE	3
17	8827003		CHAIN FLAIL	3
17a	7770797		CHAIN FLAIL	3
18	2770506		COUNTER SUNK SCREW	6
19	2770436		DISC	18/20
20	2770412		HEX NUT	21/23
21	2770396		HEXAGON HEAD BOLT	13
22	1481100502		LOCKING PIN	2
23	2770454		DISC	18
24	965162		HEX NUT	9
25	2770413		HEX NUT	3
26	2770414		HEX NUT	3
27	7770707		BUSHING	3
28	2770509		COUNTER SUNK SCREW	8/10
29	2770434		DISC	8
30	127B122		LOCK WASHER	8
31	2770484		HEXAGON HEAD BOLT	8
32	933160602		HEXAGON HEAD BOLT	9

# SPEARHEAD CT 135/155

---

ITEM NO.	GT 135	GT 155	DESCRIPTION.	QTY.
33		933140402	HEXAGON HEAD BOLT	2
34		125B142	DISC	2
35		127B142	LOCK WASHER	2
36		2770477	PIN	1
37		5771409	NUT	1
38		5771410	DISC	1
39		8777516	COVER	2
40		PP45-F	SEALING	3
41		01BP12	FITTING	1
42		02BP1612	FITTING	1
43		02BP1206	FITTING	1
44		8823002	TUBE	1
45		8823003	TUBE	1
46		8823004	TUBE	1

# SPEARHEAD GT 135/155



ITEM NO.	GT 135	GT 155	DESCRIPTION.	QTY.
1	8821529		CHAIN HOLDER	1
2	8821530		CONNECTING FLANGE	1
3	8821528		COVER	1
4			SPLIT PIN	3
5	2770397		HEXAGON SCREW	6
6	2770436		WASHER	12
7	2770574		HEXAGON NUT	6
8			10MM CHAIN	
9			13MM CHAIN	



Spearhead Machinery Limited

Green View, Salford Priors, Evesham, Worcestershire, WR11 8SW, England

+44 (0)1789 491860 📞 +44 (0)1789 778683 ✉ enquiries@spearheadmachinery.com 🌐 www.spearheadmachinery.com

Registered office: Station Road, Salford Priors, Nr Evesham, Worcestershire, WR11 8SW, England. Registered in England No. 2312982. VAT No. GB 133 8747 53.