

SPEARHEAD

XY 150 WOOD CHIPPER



Edition 1.0 - February 2018
Part No. 8999111

PARTS MANUAL

SPEARHEAD XY 150

CONTENTS

| | |
|--|----|
| Ordering Parts | 3 |
| Lighter Chassis Assembly (750kg) | 4 |
| Heavier Chassis Assembly (750kg+) | 5 |
| Trailer Chassis | 6 |
| Mudguard And Feed Roller Speed Adjuster | 8 |
| 22hp Honda GX690 Engine (71806C) | 10 |
| 22hp Hood Assembly (Honda GX690 Engine) | 13 |
| 27hp Lombardini LDW 1003 Engine (71807C) | 15 |
| 27hp Hood Assembly (Lombardini LDW 1003 Engine) | 18 |
| 35hp Lombardini LDW 1404 Engine (71808C) | 20 |
| 35hp Hood Assembly (Lombardini LDW 1404 Engine) | 23 |
| 34/38hp Kohler CH 940/980 Engine (71853C/71854C) | 25 |
| 34/38hp Hood Assembly (Kohler CH940/980 Engine) | 28 |
| Manual Accelerator | 30 |
| Automatic Accelerator | 31 |
| Hopper Assembly (only on hopper without feed roller) | 33 |
| Feed Belt | 36 |
| Feed Roller | 38 |
| Ejection Chute | 40 |
| 5 In 1 Rotor | 42 |
| 4 Position Control | 44 |
| Right-hand Side Sensitive Controls | 46 |
| Left-hand Side Sensitive Controls | 48 |
| Triflash Warning Triangle | 49 |
| Wheel Blocks | 50 |
| Stand | 51 |
| Chain Saw Support | 52 |
| Tool Support | 53 |
| Parking Brake | 54 |
| Standard Hydraulic Circuit (22/34/38hp Engines) | 55 |
| Standard Hydraulic Circuit (27/35hp Engines) | 56 |
| Hydraulic Circuit With Feed Belt (22/34/38hp Engines) | 57 |
| Hydraulic Circuit With Feed Belt (27/35hp Engines) | 58 |
| Hydraulic Schematics | |
| Standard Hydraulic Diagram | 59 |
| Standard Hydraulic With Powered Feed Belt Diagram (Option) | 60 |
| Automatic Accelerator Diagram | 61 |
| Marketing & Safety Decals | 62 |

SPEARHEAD XY 150

ORDERING PARTS

When ordering parts, please refer to your parts list to help your dealer with your order. Please provide the following information:

Model Number

Engine Model

Part Number and quantity

Description

Serial number of machine

Delivery instructions (e.g. next day)

Spearhead
Evesham, WR11 8SW, GB
www.spearheadmachinery.com +44 (0) 1789 491 860
e13*2007/46* 1606
????????????????
750 Kg
0 - 75 Kg
1 - 750 Kg
2 - 0 Kg
REFERENCE 71805C
87107??

Spearhead Evesham, WR11 8SW, GB
www.spearheadmachinery.com Tel: +44 (0) 1789 491 860
MODEL TYPE CE
MACHINE XY150 71805C
SERIAL No. S????? PROD. YEAR 2017
MASS (Kg) 750 kg MODEL YEAR 2017
87107?? MADE IN FRANCE

SERIAL NUMBER LOCATION

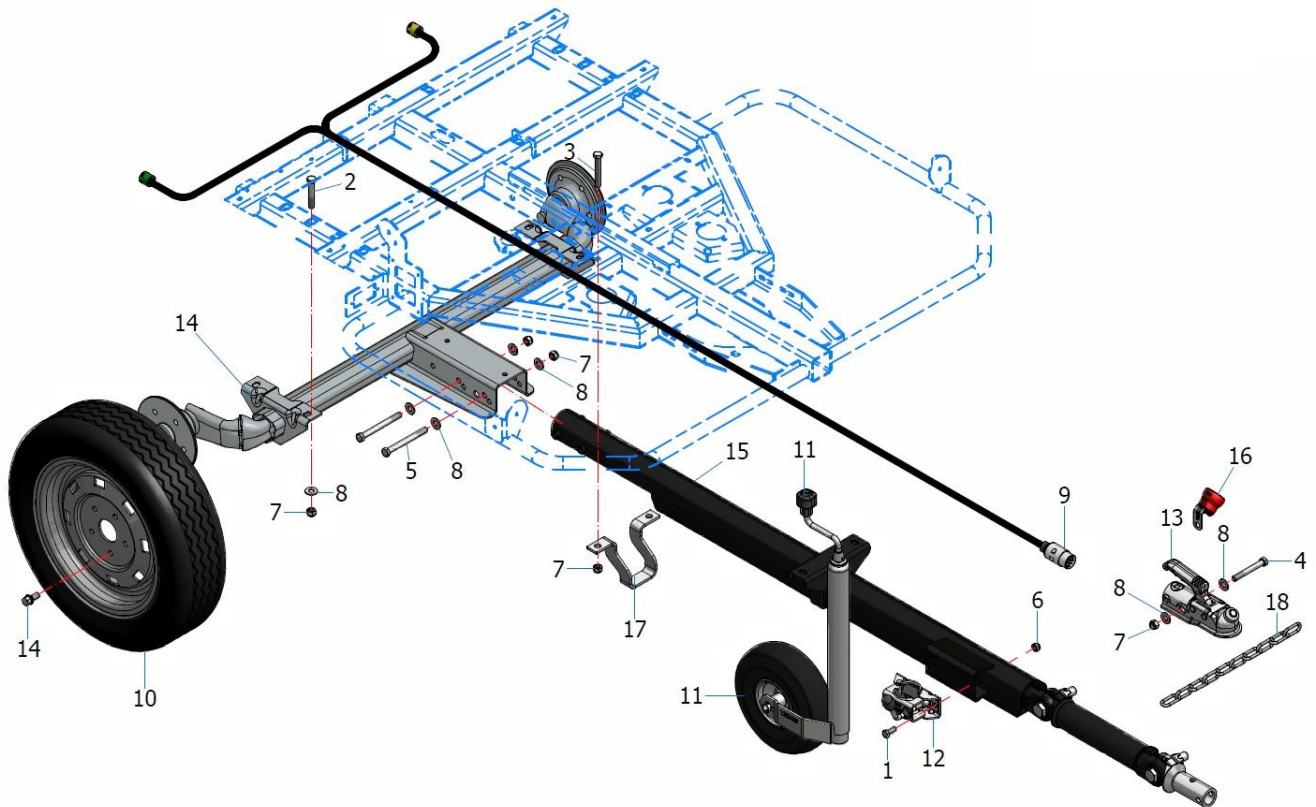
Delivery is normally via carrier direct to your dealer. Please check with your dealer for stock availability and arrangement of dispatch. Ensure you or your dealer has sufficient cover for parts requirement outside factory hours.

Important Note:

The information contained in this manual is correct at the time of publication. However, in the course of constant development, changes in specification are inevitable. Should you find the information given in this book different to the machine it relates to, please the "After Sales Department" at Spearhead Machinery for advice.

SPEARHEAD XY 150

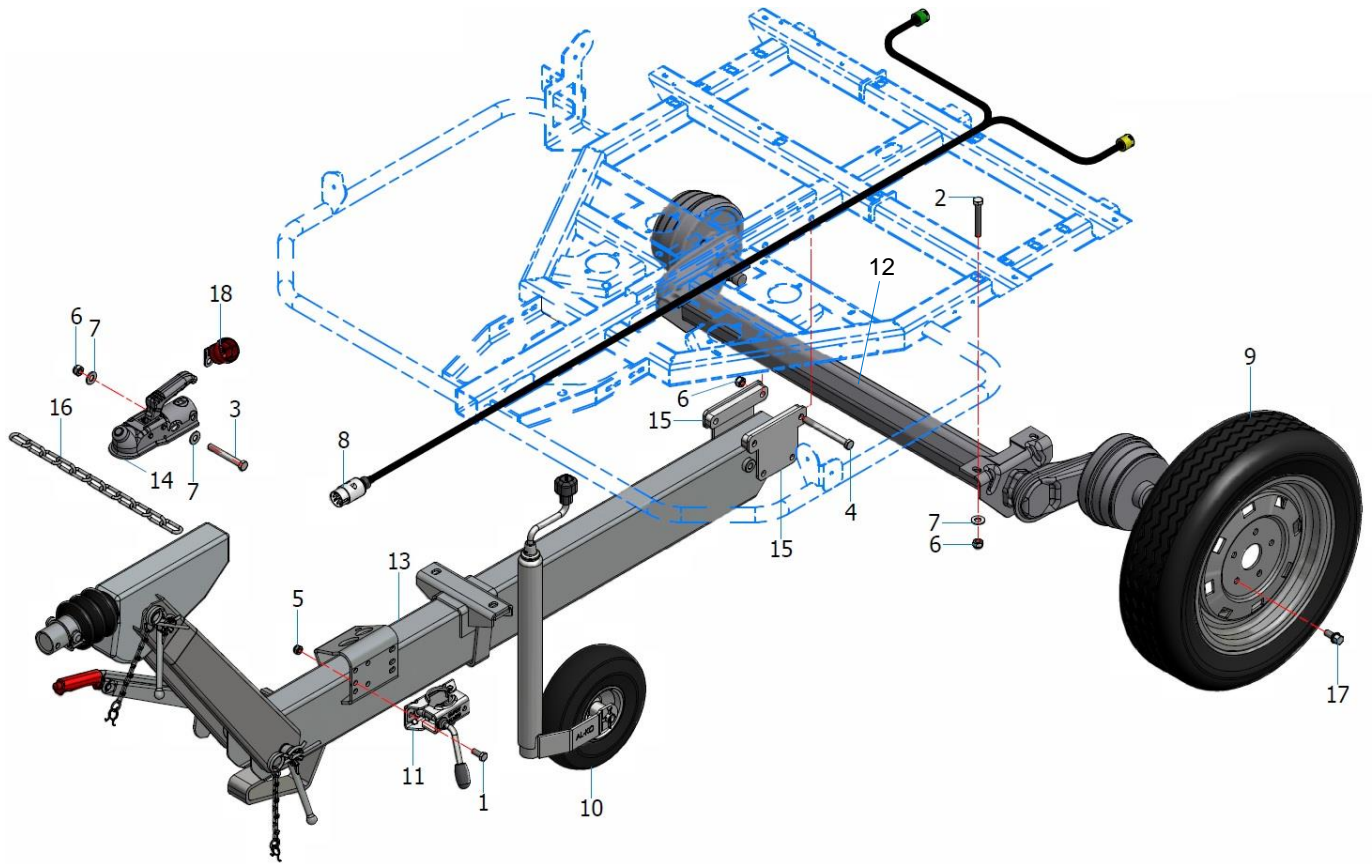
LIGHTER CHASSIS ASSEMBLY (750kg)



| ITEM NO. | PART NO. | REF NO. | DESCRIPTION. | QTY. |
|----------|----------|---------|----------------------------|------|
| 1 | 2770407 | 01B023 | BOLT | 2 |
| 2 | 2770424 | 01B052 | BOLT | 4 |
| 3 | 2770393 | 01B054 | BOLT | 2 |
| 4 | 2770481 | 01B055 | BOLT | 1 |
| 5 | 2770487 | 01B058 | BOLT | 2 |
| 6 | 2770412 | 03D006 | NYLOCK NUT | 2 |
| 7 | 2770417 | 03D007 | NYLOCK NUT | 9 |
| 8 | 2770436 | 03R008 | FLAT WASHER | 10 |
| 9 | RC00150 | 18F692 | LIGHT LOOM | 1 |
| 10 | RC00031 | 26A417 | WHEEL/TYRE ASSEMBLY | 2 |
| 11 | RC00032 | 26A418 | JOCKEY WHEEL ASSEMBLY | 1 |
| 12 | RC00033 | 26A419 | JOCKEY WHEEL CLAMP | 1 |
| 13 | RC00036 | 26A466 | HITCH | 1 |
| 14 | RC00084 | 47B012 | AXLE ASSY + 10 WHEEL STUDS | 1 |
| | RC00136 | 02F025 | WHEEL STUD | 10 |
| 15 | RC00163 | 47H011 | ADJUSTABLE DRAWBAR | 1 |
| 16 | RC00210 | 47T031 | LIGHT CABLE SUPPORT | 1 |
| 17 | RC00308 | 718705 | DRAWBAR BRACKET | 1 |
| 18 | RC00395 | 920F0G | CHAIN | 1 |

SPEARHEAD XY 150

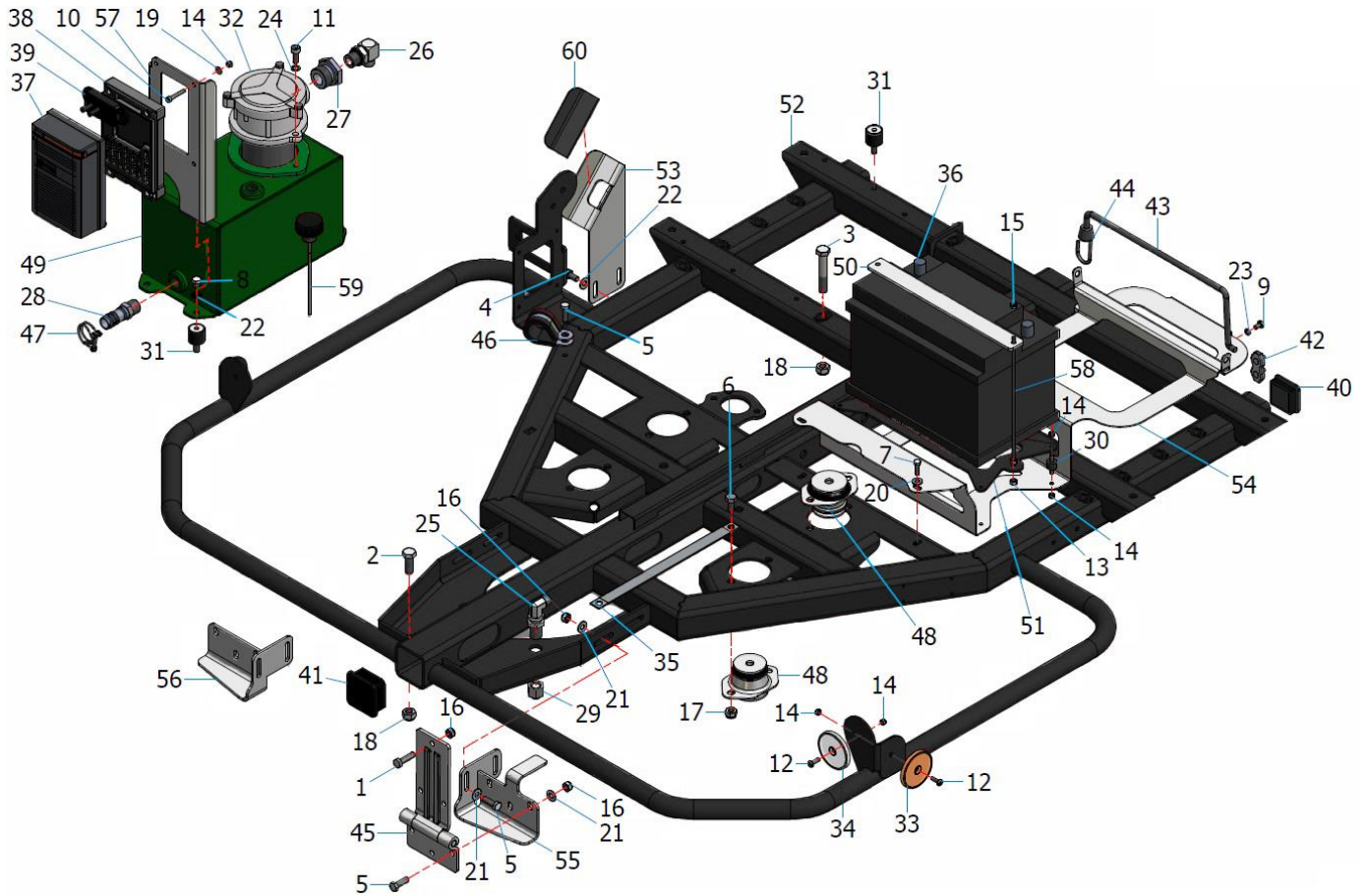
HEAVIER CHASSIS ASSEMBLY (750kg+)



| ITEM NO. | PART NO. | REF NO. | DESCRIPTION. | QTY. |
|----------|----------|---------|-------------------------------------|------|
| 1 | 2770407 | 01B023 | BOLT | 2 |
| 2 | 2770393 | 01B054 | BOLT | 4 |
| 3 | 2770481 | 01B055 | BOLT | 1 |
| 4 | 2770487 | 01B058 | BOLT | 4 |
| 5 | 2770412 | 03D006 | NYLOCK NUT | 2 |
| 6 | 2770417 | 03D007 | NYLOCK NUT | 9 |
| 7 | 2770436 | 03R008 | FLAT WASHER | 6 |
| 8 | RC00151 | 18F695 | LIGHT LOOM | 1 |
| 9 | RC00031 | 26A417 | WHEEL/TYRE ASSEMBLY | 2 |
| 10 | RC00032 | 26A418 | JOCKEY WHEEL ASSEMBLY | 1 |
| 11 | RC00033 | 26A419 | JOCKEY WHEEL CLAMP | 1 |
| 12 | RC00083 | 47B009 | AXLE ASSY + WHEEL STUDS | 1 |
| 13 | RC00164 | 47H001 | HEIGHT ADJUSTABLE BRAKED DRAWBAR | 1 |
| 14 | RC00209 | 47T022 | HITCH | 1 |
| 15 | RC00301 | 718694 | AXLE BRACKET | 2 |
| 16 | RC00395 | 920F0G | CHAIN | 1 |
| 17 | RC00136 | 02F025 | WHEEL STUDS (COME WITH ITEM 12) | 10 |
| 18 | RC00210 | 47T031 | LIGHT CABLE SUPPORT | 1 |

SPEARHEAD XY 150

TRAILER CHASSIS



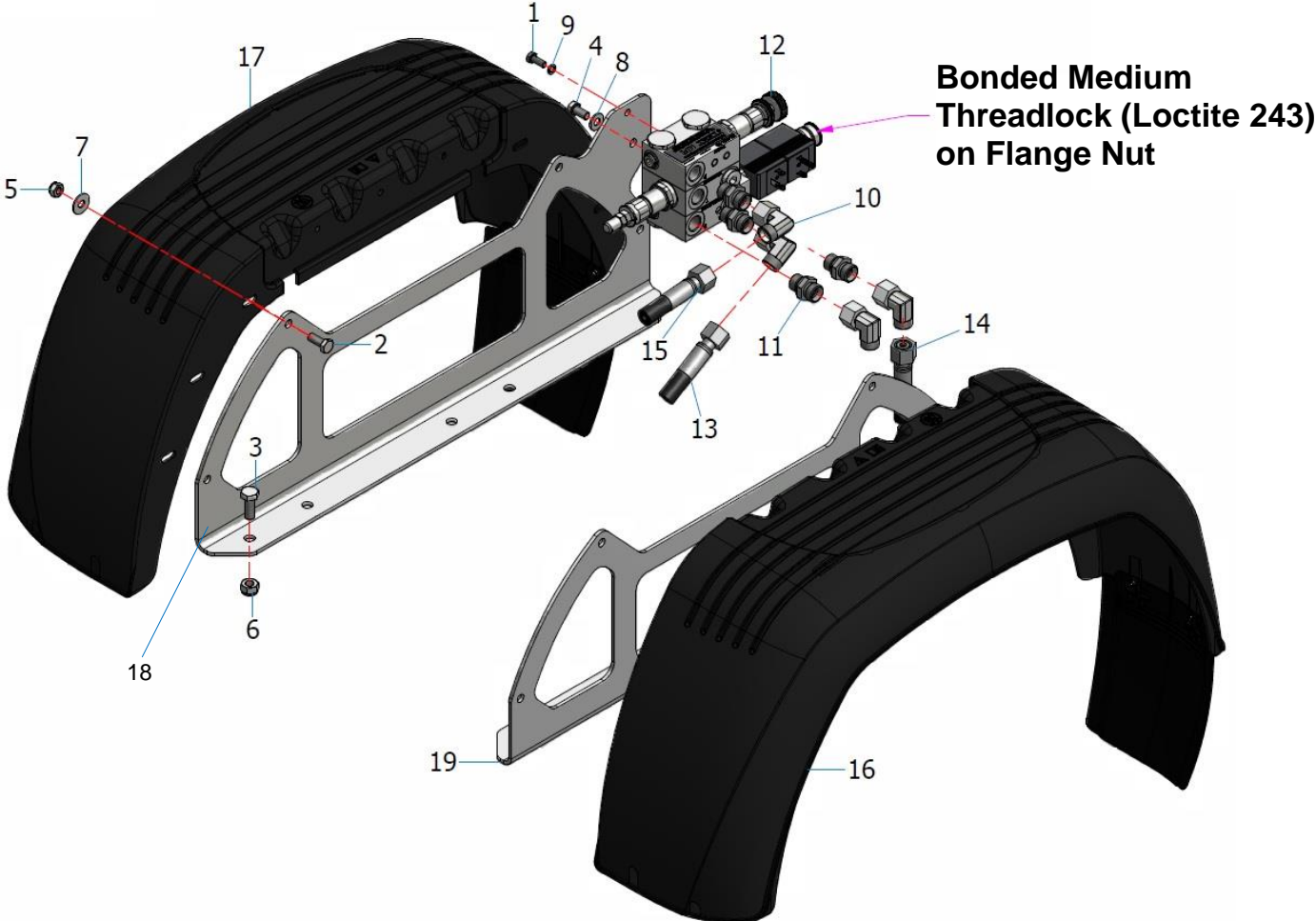
| ITEM NO. | PART NO. | REF NO. | DESCRIPTION. | QTY. |
|----------|-----------|---------|-----------------|------|
| 1 | 2770390 | 01B003 | BOLT | 6 |
| 2 | 2770420 | 01B044 | BOLT | 2 |
| 3 | 2770424 | 01B052 | BOLT | 4 |
| 4 | 05.839.03 | 01B213 | BOLT | 2 |
| 5 | 2770415 | 01B215 | BOLT | 11 |
| 6 | 2770418 | 01B221 | BOLT | 8 |
| 7 | 30.068.83 | 01B242 | BOLT | 2 |
| 8 | RC00061 | 01B245 | BOLT | 4 |
| 9 | 2770385 | 01B248 | BOLT | 2 |
| 10 | 9243062 | 01E042 | SKT CAP SCREW | 4 |
| 11 | 2770521 | 01E101 | SKT CAP SCREW | 2 |
| 12 | RC00185 | 01N007 | FLAT HEAD SCREW | 4 |
| 13 | 05.286.10 | 03B013 | FULL NUT | 4 |
| 14 | 2770394 | 03D003 | NYLOCK NUT | 16 |
| 15 | 2770373 | 03D004 | NYLOCK NUT | 4 |
| 16 | 2770416 | 03D005 | NYLOCK NUT | 17 |
| 17 | 2770412 | 03D006 | NYLOCK NUT | 8 |
| 18 | 2770417 | 03D007 | NYLOCK NUT | 6 |

SPEARHEAD XY 150

| | | | | |
|----|-----------|--------|-----------------------------|----|
| 19 | 2770391 | 03R003 | FLAT WASHER | 4 |
| 20 | 2771408 | 03R005 | FLAT WASHER | 4 |
| 21 | 2770432 | 03R023 | FLAT WASHER | 14 |
| 22 | RC00201 | 03S032 | SPRING LOCKING WASHER | 6 |
| 23 | 05.282.07 | 03T005 | SPRING WASHER | 2 |
| 24 | 2770433 | 03T006 | SPRING WASHER | 2 |
| 25 | RC00006 | 05A143 | ENGINE OIL DRAIN PLUG ELBOW | 1 |
| 26 | RC00009 | 05A186 | ELBOW ADAPTOR | 1 |
| 27 | RC00157 | 05H065 | ADAPTOR | 1 |
| 28 | RC00169 | 05J007 | ADAPTOR | 1 |
| 29 | RC00186 | 05N037 | DRAIN PLUG CAP | 1 |
| 30 | RC00017 | 15A029 | RUBBER MOUNT | 4 |
| 31 | RC00019 | 15A059 | RUBBER MOUNT | 4 |
| 32 | RC00020 | 16A009 | HYDRAULIC TANK FILTER | 1 |
| 33 | RC00141 | 18F032 | ROUND AMBER REFLECTOR | 2 |
| 34 | RC00142 | 18F033 | ROUND CLEAR REFLECTOR | 2 |
| 35 | RC00143 | 18F036 | EARTH STRAP | 1 |
| 36 | RC00147 | 18F597 | 12V BATTERY | 1 |
| 37 | RC00194 | 18R117 | CONTROL BOX FRONT COVER | 1 |
| 38 | RC00195 | 18R126 | CONTROL BOX REAR COVER | 1 |
| 39 | RC00196 | 18R127 | CONTROL BOX COMPONENT | 1 |
| 40 | 07.262.03 | 19A015 | PLASTIC CAP | 2 |
| 41 | 7191108 | 19A016 | PLASTIC CAP | 2 |
| 42 | RC00161 | 20H015 | DUPLEX CABLE HOLDER | 1 |
| 43 | RC00028 | 26A369 | FUEL TANK RETENTION STRAP | 1 |
| 44 | RC00030 | 26A411 | HOOK FOR RETENTION STRAP | 1 |
| 45 | RC00037 | 26A489 | HOOD HINGE | 2 |
| 46 | RC00120 | 29D020 | P CLIP | 1 |
| 47 | RC00122 | 29D037 | DOUBLE WIRE HOSE CLIP | 1 |
| 48 | RC00208 | 47T010 | ANTI VIBRATION MOUNT | 4 |
| 49 | RC00250 | 718511 | HYDRAULIC TANK | 1 |
| 50 | RC00252 | 718513 | BATTERY RETENTION STRAP | 1 |
| 51 | RC00255 | 718524 | BATTERY SUPPORT | 1 |
| 52 | RC00295 | 718688 | TUBULAR CHASSIS | 1 |
| 53 | RC00305 | 718702 | RIGHT HOOD SUPPORT | 1 |
| 54 | RC00307 | 718704 | BATTERY AND FUEL TANK PLATE | 1 |
| 55 | RC00309 | 718706 | LEFT HINGE SUPPORT | 1 |
| 56 | RC00310 | 718707 | RIGHT HINGE SUPPORT | 1 |
| 57 | RC00334 | 718820 | CONTROL BOX MOUNT PLATE | 1 |
| 58 | RC00384 | 902C17 | BATTERY RETENTION ROD | 2 |
| 59 | RC00392 | 905N11 | BREATHER CAP WITH DIPSTICK | 1 |
| 60 | RC00381 | 919B9R | RUBBER CUSHION | 1 |

SPEARHEAD XY 150

MUDGUARD AND FEED ROLLER SPEED ADJUSTER



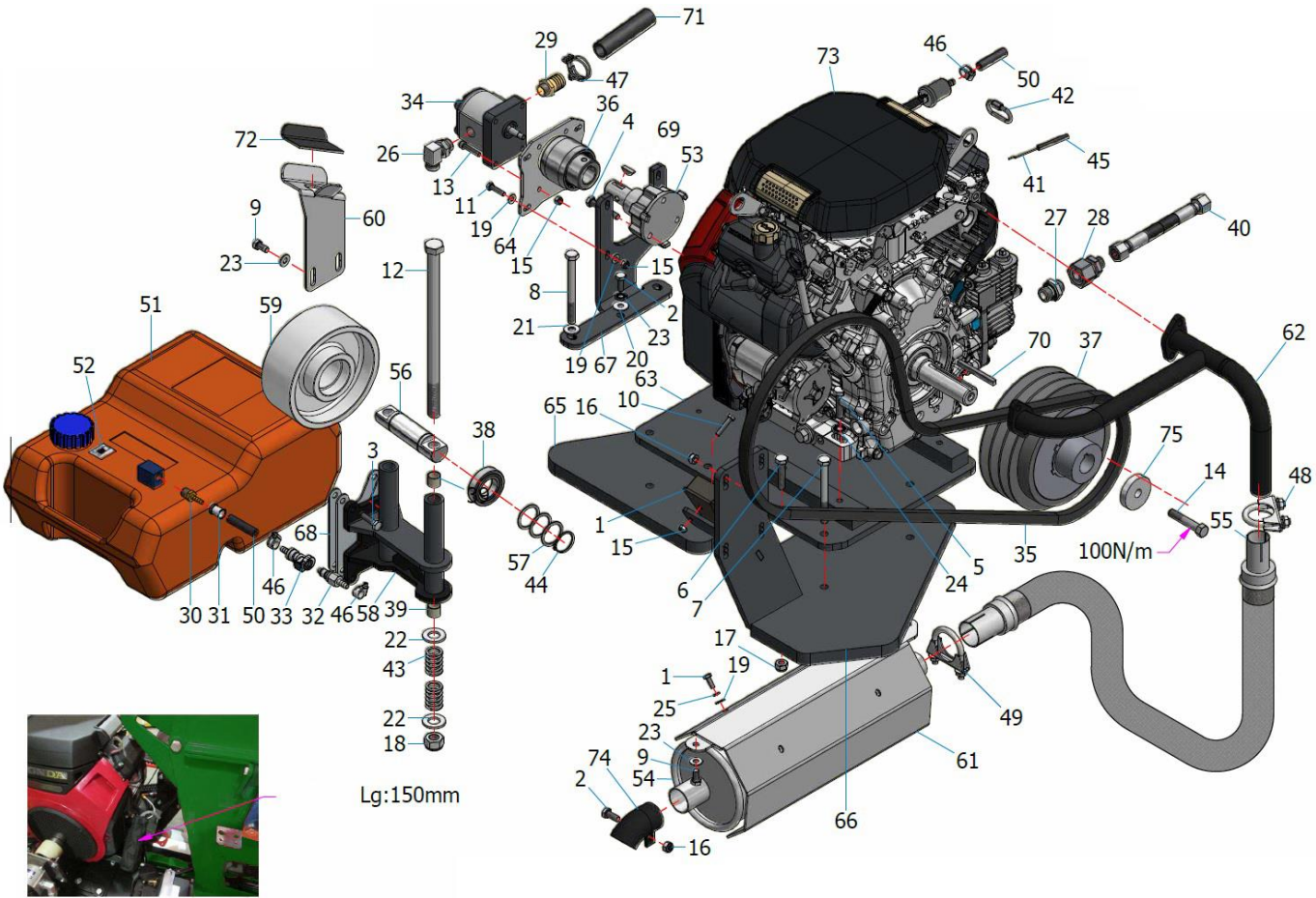
SPEARHEAD XY 150

MUDGUARD AND FEED ROLLER SPEED ADJUSTER

| ITEM NO. | PART NO. | REF NO. | DESCRIPTION. | QTY. |
|----------|-----------|---------|----------------------------|------|
| 1 | 05.839.05 | 01B001 | BOLT | 1 |
| 2 | 2770402 | 01B002 | BOLT | 8 |
| 3 | 2770407 | 01B023 | BOLT | 4 |
| 4 | 05.839.03 | 01B213 | BOLT | 1 |
| 5 | 2770416 | 03D005 | NYLOCK NUT | 8 |
| 6 | 2770412 | 03D006 | NYLOCK NUT | 4 |
| 7 | 2770244 | 03R006 | REPAIR WASHER | 8 |
| 8 | RC00201 | 03S032 | LOCKING SPRING WASHER | 1 |
| 9 | 05.282.07 | 03T005 | SPRING WASHER | 1 |
| 10 | RC00063 | 05B004 | ELBOW ADAPTOR | 4 |
| 11 | RC00091 | 05C405 | ADAPTOR | 4 |
| 12 | RC00206 | 09T016 | FEED ROLLER ADJUSTER SCREW | 1 |
| 13 | RC00096 | 13C017 | HOSE | 1 |
| 14 | RC00097 | 13C018 | HOSE | 1 |
| 15 | RC00098 | 13C023 | HOSE | 1 |
| 16 | RC00211 | 47T032 | LEFT STD HAND MUDGUARD | 1 |
| 17 | RC00212 | 47T033 | RIGHT STD HAND MUDGUARD | 1 |
| 18 | RC00303 | 718700 | RIGHT STD MUDGUARD PLATE | 1 |
| 19 | RC00304 | 718701 | LEFT STD MUDGUARD PLATE | 1 |

SPEARHEAD XY 150

22hp HONDA GX690 ENGINE (71806C)



SPEARHEAD XY 150

22hp HONDA GX690 ENGINE (71806C)

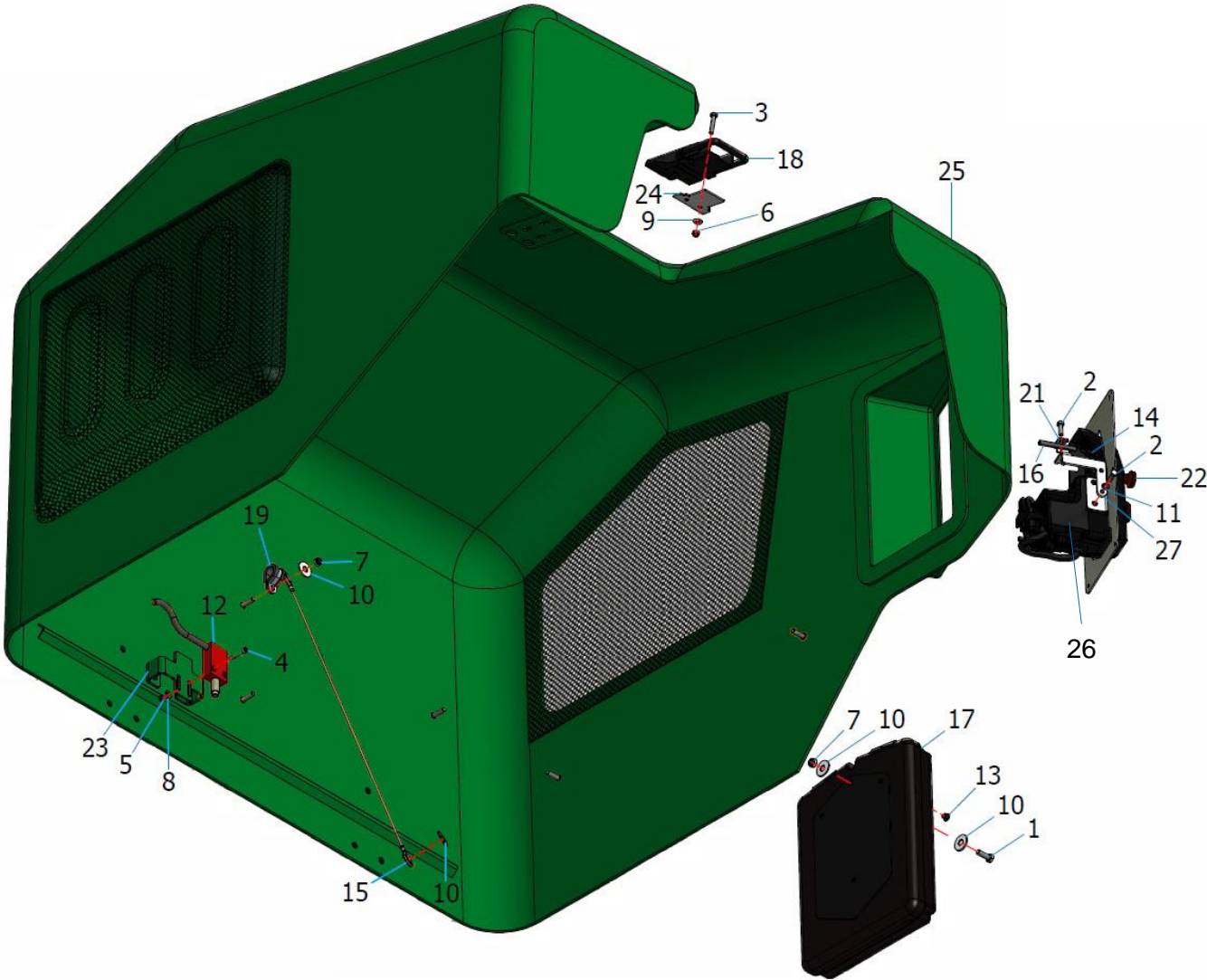
| ITEM NO. | PART NO. | REF NO. | DESCRIPTION. | QTY. |
|----------|-----------|---------|------------------------|------|
| 1 | 05.839.05 | 01B001 | BOLT | 6 |
| 2 | 2770402 | 01B002 | BOLT | 2 |
| 3 | 2770390 | 01B003 | BOLT | 4 |
| 4 | 2770451 | 01B007 | BOLT | 3 |
| 5 | 05.291.13 | 01B026 | BOLT | 4 |
| 6 | 2772283 | 01B027 | BOLT | 4 |
| 7 | 05.292.13 | 01B036 | BOLT | 2 |
| 8 | 05.292.14 | 01B037 | BOLT | 2 |
| 9 | 05.839.03 | 01B213 | BOLT | 4 |
| 10 | 2770486 | 01B237 | BOLT | 2 |
| 11 | 30.068.84 | 01B241 | BOLT | 4 |
| 12 | 30.074.00 | 01B290 | BOLT | 2 |
| 13 | RC00131 | 01E073 | SKT CAP SCREW | 4 |
| 14 | RC00132 | 01U077 | BOLT | 1 |
| 15 | 2770373 | 03D004 | NYLOCK NUT | 10 |
| 16 | 2770416 | 03D005 | NYLOCK NUT | 5 |
| 17 | 2770412 | 03D006 | NYLOCK NUT | 8 |
| 18 | 2770447 | 03D009 | NYLOCK NUT | 2 |
| 19 | 2771408 | 03R004 | FLAT WASHER | 14 |
| 20 | 2770244 | 03R006 | REPAIR WASHER | 1 |
| 21 | 2770434 | 03R007 | FLAT WASHER | 2 |
| 22 | 2770454 | 03R010 | FLAT WASHER | 4 |
| 23 | RC00201 | 03S032 | LOCK WASHER | 5 |
| 24 | RC00202 | 03S033 | LOCK WASHER | 4 |
| 25 | 05.282.07 | 03T005 | SPRING WASHER | 6 |
| 26 | RC00007 | 05A158 | PORT ELBOW ADAPTOR | 1 |
| 27 | RC00092 | 05C539 | ADAPTOR | 1 |
| 28 | RC00112 | 05D107 | ADAPTOR | 1 |
| 29 | RC00170 | 05J010 | PUMP TO HOSE ADAPTOR | 1 |
| 30 | RC00172 | 05J030 | TANK TO HOSE ADAPTOR | 1 |
| 31 | RC00190 | 05P026 | CRIMPING SOCKET | 1 |
| 32 | RC00204 | 05S003 | MALE PLASTIC COUPLER | 1 |
| 33 | RC00205 | 05S004 | FEMALE PLASTIC COUPLER | 1 |
| 34 | RC00382 | 066B18 | PUMP | 1 |
| 35 | RC00093 | 07C028 | BELT | 3 |
| 36 | RC00138 | 07F062 | COUPLING | 1 |
| 37 | RC00181 | 07L025 | PULLEY | 1 |
| 38 | RC00012 | 11A075 | BEARING | 2 |
| 39 | RC00140 | 12F025 | BUSH | 4 |
| 40 | RC00099 | 13C155 | HOSE | 1 |
| 41 | RC00024 | 20A039 | CABLE | 1 |

SPEARHEAD XY 150

| | | | | |
|----|---------|--------|-----------------------------|---|
| 42 | RC00177 | 20K001 | QUICK LINK | 1 |
| 43 | RC00068 | 21B034 | SPRING | 4 |
| 44 | RC00156 | 21G016 | CIRCLIP | 2 |
| 45 | RC00027 | 26A239 | FLEXIBLE SHEATH | 1 |
| 46 | RC00103 | 29C067 | JUBILEE CLIP | 4 |
| 47 | RC00122 | 29D037 | DOUBLE WIRE HOSE CLIP | 1 |
| 48 | RC00124 | 29D048 | EXHAUST CLAMP | 1 |
| 49 | RC00125 | 29D052 | EXHAUST CLAMP | 1 |
| 50 | RC00070 | 32B040 | FUEL HOSE | 1 |
| 51 | RC00071 | 33B014 | FUEL TANK | 1 |
| 52 | RC00079 | 36B179 | FUEL TANK STICKER | 1 |
| 53 | RC00207 | 44T104 | OUTPUT SHAFT | 1 |
| 54 | RC00059 | 45A003 | SILENCER | 1 |
| 55 | RC00082 | 45B008 | EXHAUST PIPE | 1 |
| 56 | RC00246 | 718366 | PULLEY SHAFT | 1 |
| 57 | RC00247 | 718368 | SHIM | 6 |
| 58 | RC00253 | 718514 | PULLEY BRACKET | 1 |
| 59 | RC00254 | 718516 | PULLEY | 1 |
| 60 | RC00306 | 718703 | LEFT HOOD SUPPORT | 1 |
| 61 | RC00311 | 718709 | SILENCER COVER | 1 |
| 62 | RC00315 | 718713 | EXHAUST MANIFOLD | 1 |
| 63 | RC00316 | 718714 | ENGINE PLATE | 1 |
| 64 | RC00317 | 718715 | PUMP SUPPORT BRACKET | 1 |
| 65 | RC00318 | 718716 | LEFT WEIGHT | 1 |
| 66 | RC00319 | 718717 | FENDER TENSIONER SUPPORT | 1 |
| 67 | RC00321 | 718721 | PUMP ADJUSTMENT BRACKET | 1 |
| 68 | RC00323 | 718725 | ADJUSTING SHIM | 2 |
| 69 | RC00393 | 907E02 | KEYWAY | 1 |
| 70 | RC00394 | 907E03 | KEYWAY | 1 |
| 71 | RC00370 | 913A38 | HOSE | 1 |
| 72 | RC00381 | 919B9R | RUBBER CUSHION | 1 |
| 73 | RC00391 | 944K01 | HONDA GX690 COMPLETE ENGINE | 1 |
| 74 | RC00397 | 944T03 | SILENCER END TRIM | 1 |
| 75 | RC00361 | 993011 | SPACER | 1 |

SPEARHEAD XY 150

22hp HOOD ASSEMBLY (Honda GX690 Engine)



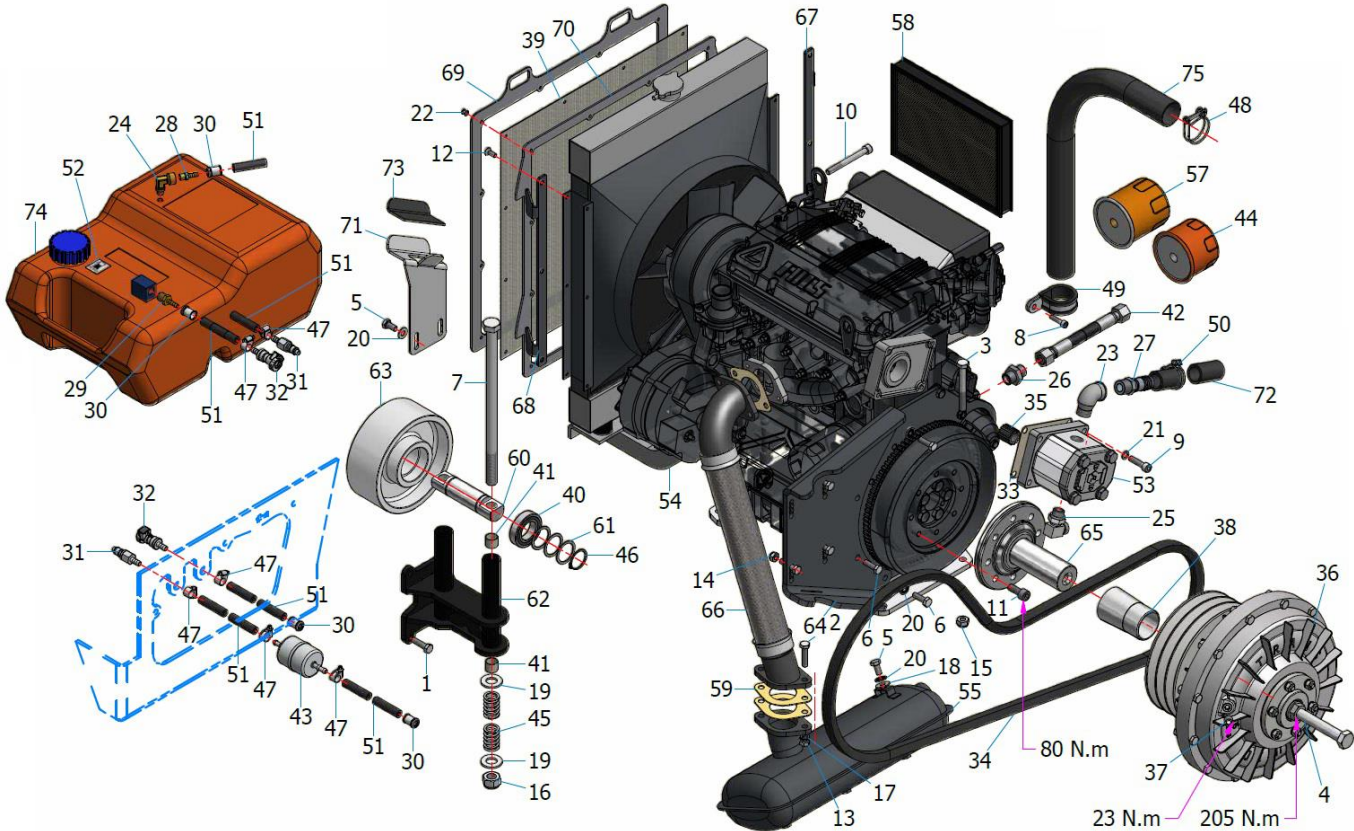
SPEARHEAD XY 150

22hp HOOD ASSEMBLY (Honda GX690 Engine)

| ITEM NO. | PART NO. | REF NO. | DESCRIPTION. | QTY. |
|----------|-----------|---------|-----------------------------|------|
| 1 | 30.068.83 | 01B242 | BOLT | 2 |
| 2 | 30.073.93 | 01B249 | BOLT | 3 |
| 3 | RC00062 | 01B307 | BOLT | 4 |
| 4 | RC00128 | 01E010 | SKT CAP SCREW | 2 |
| 5 | 05.948.33 | 03D002 | NYLOCK NUT | 2 |
| 6 | 2770394 | 03D003 | NYLOCK NUT | 4 |
| 7 | 2770373 | 03D004 | NYLOCK NUT | 7 |
| 8 | 30.074.95 | 03R002 | FLAT WASHER | 2 |
| 9 | 2770391 | 03R003 | FLAT WASHER | 4 |
| 10 | 2770244 | 03R006 | REPAIR WASHER | 6 |
| 11 | 05.282.04 | 03T004 | SPRING WASHER | 2 |
| 12 | RC00100 | 18C232 | POSITION SWITCH | 1 |
| 13 | RC00022 | 19A071 | PLUG | 2 |
| 14 | RC00024 | 20A039 | CABLE | 1 |
| 15 | RC00155 | 20G007 | HOOD RETENTION WIRE | 1 |
| 16 | RC00027 | 26A239 | FLEXIBLE SHEATH | 1 |
| 17 | RC00029 | 26A372 | DOCUMENTS CONTAINER | 1 |
| 18 | RC00041 | 26A565 | HOOD CATCH | 1 |
| 19 | RC00123 | 29D040 | P CLIP | 5 |
| 21 | RC00179 | 44K002 | FASTENING SHEATH | 1 |
| 22 | RC00179 | 44K002 | ENGINE CONTROL | 1 |
| 23 | RC00249 | 718420 | POSITION SENSOR SUPPORT | 1 |
| 24 | RC00263 | 718552 | HOOD CATCH COUNTER PLATE | 1 |
| 25 | RC00313 | 718711 | HOOD | 1 |
| 26 | RC00320 | 718720 | ENGINE CONTROL SUPPORT ASSY | 1 |
| 27 | RC00322 | 718722 | FIXING LUG PLATE | 1 |

SPEARHEAD XY 150

27hp LOMBARDINI LDW 1003 ENGINE (71807C)



SPEARHEAD XY 150

27hp LOMBARDINI LDW 1003 ENGINE (71807C)

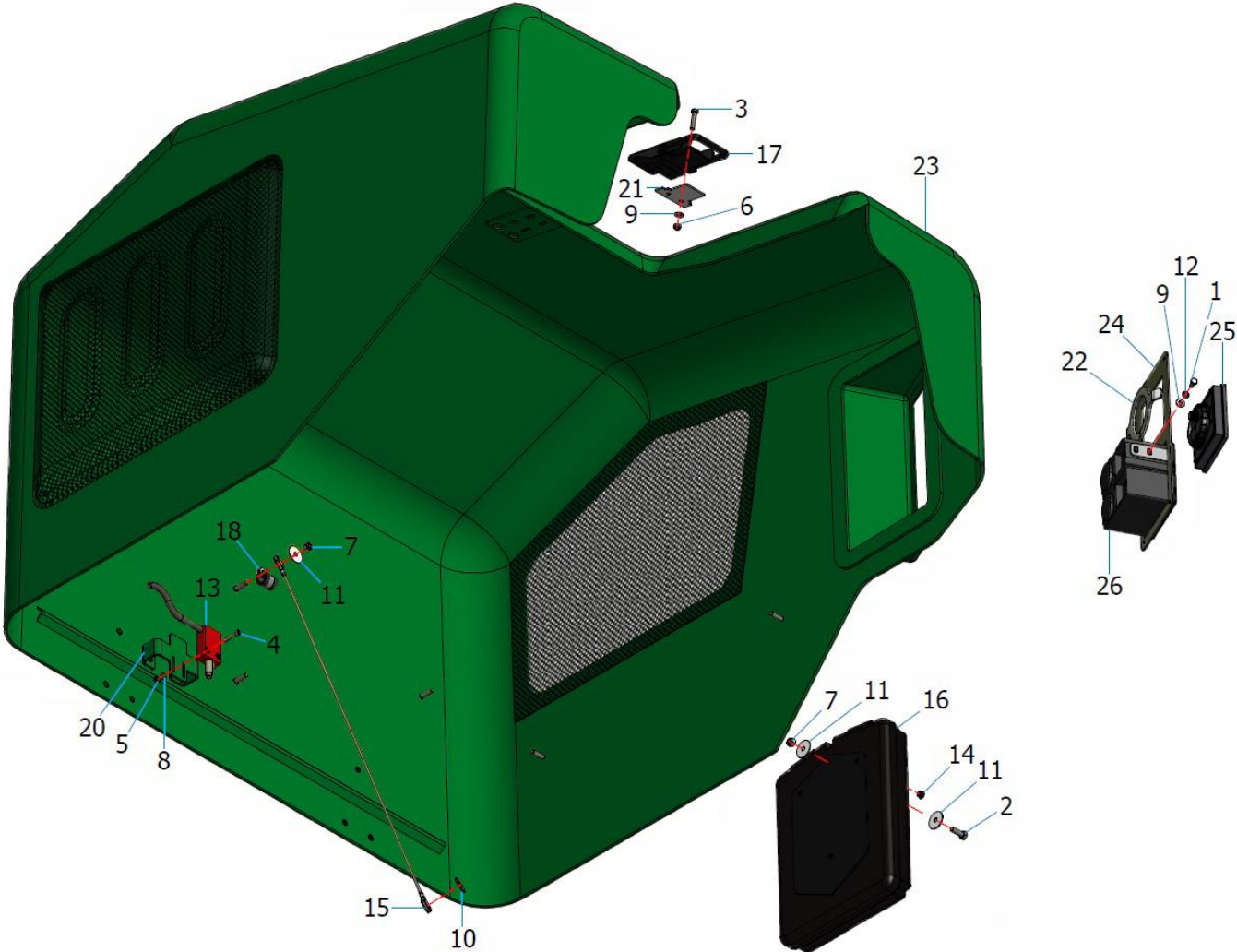
| ITEM NO. | PART NO. | REF NO. | DESCRIPTION. | QTY. |
|----------|-----------|-----------|------------------------|------|
| 1 | 2770390 | 01B003 | BOLT | 4 |
| 2 | 2770488 | 01B004 | BOLT | 2 |
| 3 | 05.292.11 | 01B034 | BOLT | 4 |
| 4 | 05.292.38 | 01B098 | BOLT | 1 |
| 5 | 05.839.03 | 01B213 | BOLT | 3 |
| 6 | 2770415 | 01B215 | BOLT | 4 |
| 7 | 30.074.00 | 01B290 | BOLT | 2 |
| 8 | 2770336 | 01E072 | SKT CAP SCREW | 1 |
| 9 | 05.625.37 | 01E104 | SKT CAP SCREW | 4 |
| 10 | RC00135 | 01E114 | SKT CAP SCREW | 1 |
| 11 | 2770556 | 01E134 | SKT CAP SCREW | 8 |
| 12 | 05.345.14 | 01J023 | SKT CSK SCREW | 6 |
| 13 | 2770491 | 03B001 | NUT | 2 |
| 14 | 2770416 | 03D005 | NYLOCK NUT | 6 |
| 15 | 2770412 | 03D006 | NYLOCK NUT | 4 |
| 16 | 2770447 | 03D009 | NYLOCK NUT | 2 |
| 17 | B001008 | 03Q017 | NORDLOCK WASHER | 2 |
| 18 | 2770244 | 03R006 | FLAT WASHER | 1 |
| 19 | 2770454 | 03R010 | FLAT WASHER | 4 |
| 20 | RC00201 | 03S032 | LOCKING SPRING WASHER | 5 |
| 21 | 2770433 | 03T006 | SPRING WASHER | 4 |
| 22 | RC00225 | 03X013 | RIVET | 12 |
| 23 | RC00003 | 05A083 | PUMP ELBOW ADAPTOR | 1 |
| 24 | RC00005 | 05A140-01 | TANK ELBOW ADAPTOR | 1 |
| 25 | RC00007 | 05A158 | PORT ELBOW | 1 |
| 26 | RC00028 | 05C199 | ADAPTOR | 1 |
| 27 | RC00169 | 05J007 | HOSE ADAPTOR | 1 |
| 28 | RC00171 | 05J016 | HOSE ADAPTOR | 1 |
| 29 | RC00172 | 05J030 | TANK TO HOSE ADAPTOR | 1 |
| 30 | RC00190 | 05P026 | CRIMPING SOCKET | 4 |
| 31 | RC00204 | 05S003 | MALE PLASTIC COUPLER | 2 |
| 32 | RC00205 | 05S004 | FEMALE PLASTIC COUPLER | 2 |
| 33 | RC00229 | 063120 | PUMP GASKET | 1 |
| 34 | RC00095 | 07C088 | BELT | 3 |
| 35 | RC00115 | 07D001 | PUMP DRIVE ADAPTOR | 1 |
| 36 | RC00182 | 07L026 | HYDRAULIC COUPLER ASSY | 1 |
| 37 | RC00226 | 07Z011 | CAP | 1 |
| 38 | RC00227 | 07Z045 | HYDRAULIC COUPLER BUSH | 1 |
| 39 | RC00193 | 10R043 | STAINLESS STEEL MESH | 1 |
| 40 | RC00012 | 11A075 | BEARING | 2 |
| 41 | RC00140 | 12F025 | BUSH | 4 |

SPEARHEAD XY 150

| | | | | |
|----|---------|--------|----------------------------|---|
| 42 | RC00099 | 13C155 | HOSE | 1 |
| 43 | RC00192 | 16P004 | FUEL FILTER | 1 |
| 44 | RC00223 | 16U006 | OIL FILTER | 1 |
| 45 | RC00068 | 21B034 | SPRING | 4 |
| 46 | RC00156 | 21G016 | CIRCLIP | 2 |
| 47 | RC00103 | 29C067 | JUBILEE CLIP | 6 |
| 48 | RC00119 | 29D012 | DOUBLE WIRE HOSE CLIP | 1 |
| 49 | RC00121 | 29D033 | P CLIP | 1 |
| 50 | RC00122 | 29D037 | DOUBLE HOSE CLIP | 1 |
| 51 | RC00070 | 32B040 | FUEL HOSE | 5 |
| 52 | RC00078 | 36B178 | FUEL TANK STICKER | 1 |
| 53 | RC00178 | 41K025 | PUMP | 1 |
| 54 | RC00108 | 44C001 | LOMBARDINI LDW 1003 ENGINE | 1 |
| 55 | RC00108 | 44C001 | SILENCER | 1 |
| 57 | RC00213 | 44T072 | GASOIL FILTER | 1 |
| 58 | RC00214 | 44T080 | AIR FILTER | 1 |
| 59 | RC00126 | 45D006 | EXHAUST GASKET | 3 |
| 60 | RC00246 | 718366 | PULLEY SHAFT | 1 |
| 61 | RC00247 | 718368 | SHIM | 6 |
| 62 | RC00253 | 718514 | PULLEY BRACKET | 1 |
| 63 | RC00254 | 718516 | PULLEY | 1 |
| 64 | RC00261 | 718542 | ENGINE PLATE | 1 |
| 65 | RC00262 | 718543 | OUTPUT SHAFT | 1 |
| 66 | RC00269 | 718584 | EXHAUST PIPE | 1 |
| 67 | RC00273 | 718615 | LEFT HAND GRILL SUPPORT | 1 |
| 68 | RC00274 | 718616 | RIGHT HAND GRILL SUPPORT | 1 |
| 69 | RC00275 | 718617 | OUTER RAD GRILL PLATE | 1 |
| 70 | RC00276 | 718618 | INNER RAD GRILL PLATE | 1 |
| 71 | RC00306 | 718703 | LEFT HOOD SUPPORT | 1 |
| 72 | RC00371 | 913A39 | HOSE | 1 |
| 73 | RC00381 | 919B9R | RUBBER CUSHION | 1 |
| 74 | RC00376 | 933A05 | FUEL TANK | 1 |
| 75 | RC00386 | 944C01 | AIRBOX BREATHE HOSE | 1 |

SPEARHEAD XY 150

27hp HOOD ASSEMBLY (Lombardini LDW 1003 Engine)



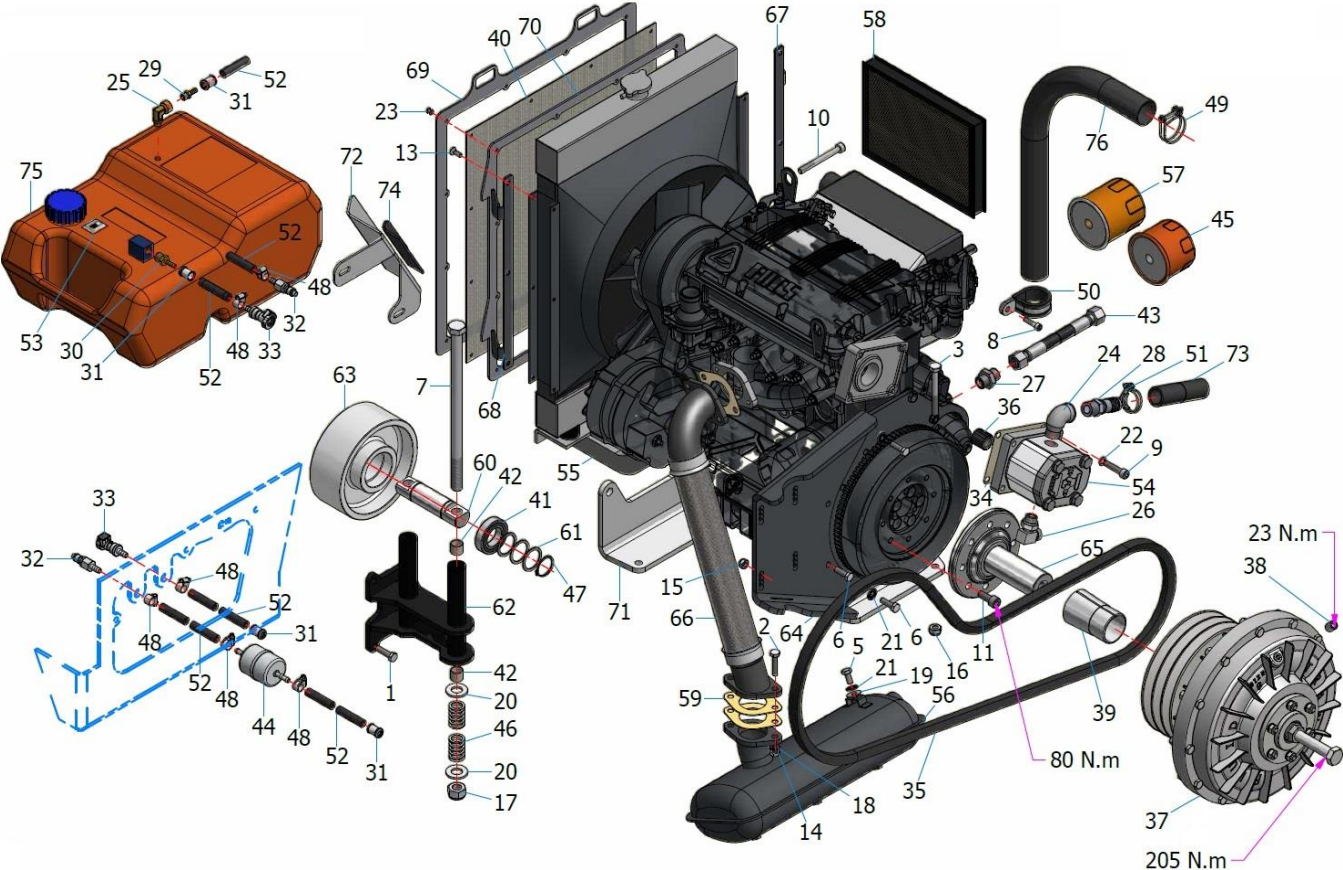
SPEARHEAD XY 150

27hp HOOD ASSEMBLY (*Lombardini LDW 1003 Engine*)

| ITEM NO. | PART NO. | REF NO. | DESCRIPTION. | QTY. |
|----------|----------------------|---------|------------------------------|------|
| 1 | 2770245 | 01B240 | BOLT | 4 |
| 2 | 30.068.83 | 01B242 | BOLT | 2 |
| 3 | RC00062 | 01B307 | BOLT | 4 |
| 4 | RC00128 | 01E010 | SKT CSK SCREW | 2 |
| 5 | 05.948.33 | 03D002 | NYLOCK NUT | 2 |
| 6 | 2770394 | 03D003 | NYLOCK NUT | 4 |
| 7 | 2770373 | 03D004 | NYLOCK NUT | 7 |
| 8 | 30.074.95 | 03R002 | FLAT WASHER | 2 |
| 9 | 2770391 | 03R003 | FLAT WASHER | 8 |
| 10 | 2770244 | 03R006 | FLAT WASHER | 1 |
| 11 | 2770363 | 03R123 | REPAIR WASHER | 5 |
| 12 | 05.282.04 | 03T004 | SPRING WASHER | 4 |
| 13 | RC00100 | 18C232 | POSITION SWITCH | 1 |
| 14 | RC00022 | 19A071 | PLUG | 2 |
| 15 | RC00154 | 20G005 | HOOD RETENTION WIRE | 1 |
| 16 | RC00029 | 26A372 | DOCUMENTS CONTAINER | 1 |
| 17 | RC00041 | 26A565 | HOOD CATCH | 1 |
| 18 | RC00118 | 29D003 | P CLIP | 5 |
| 20 | RC00249 | 718420 | POSITION SENSOR SUPPORT | 1 |
| 21 | RC00263 | 718552 | HOOD CATCH COUNTER PLATE | 1 |
| 22 | RC00289 | 718679 | IFM BLOCKING TOOL | 1 |
| 23 | RC00313 | 718711 | HOOD | 1 |
| 24 | RC00330 | 718801 | DASHBOARD | 1 |
| 25 | CONTACT SPEARHEAD | | NOSTRESS DISPLAY | 1 |
| 26 | CONTACT SPEARHEAD | | WARNING LIGHTS DISPLAY + KEY | 1 |

SPEARHEAD XY 150

35hp LOMBARDINI LDW I404 ENGINE (71808C)



SPEARHEAD XY 150

35hp LOMBARDINI LDW 1404 ENGINE (71808C)

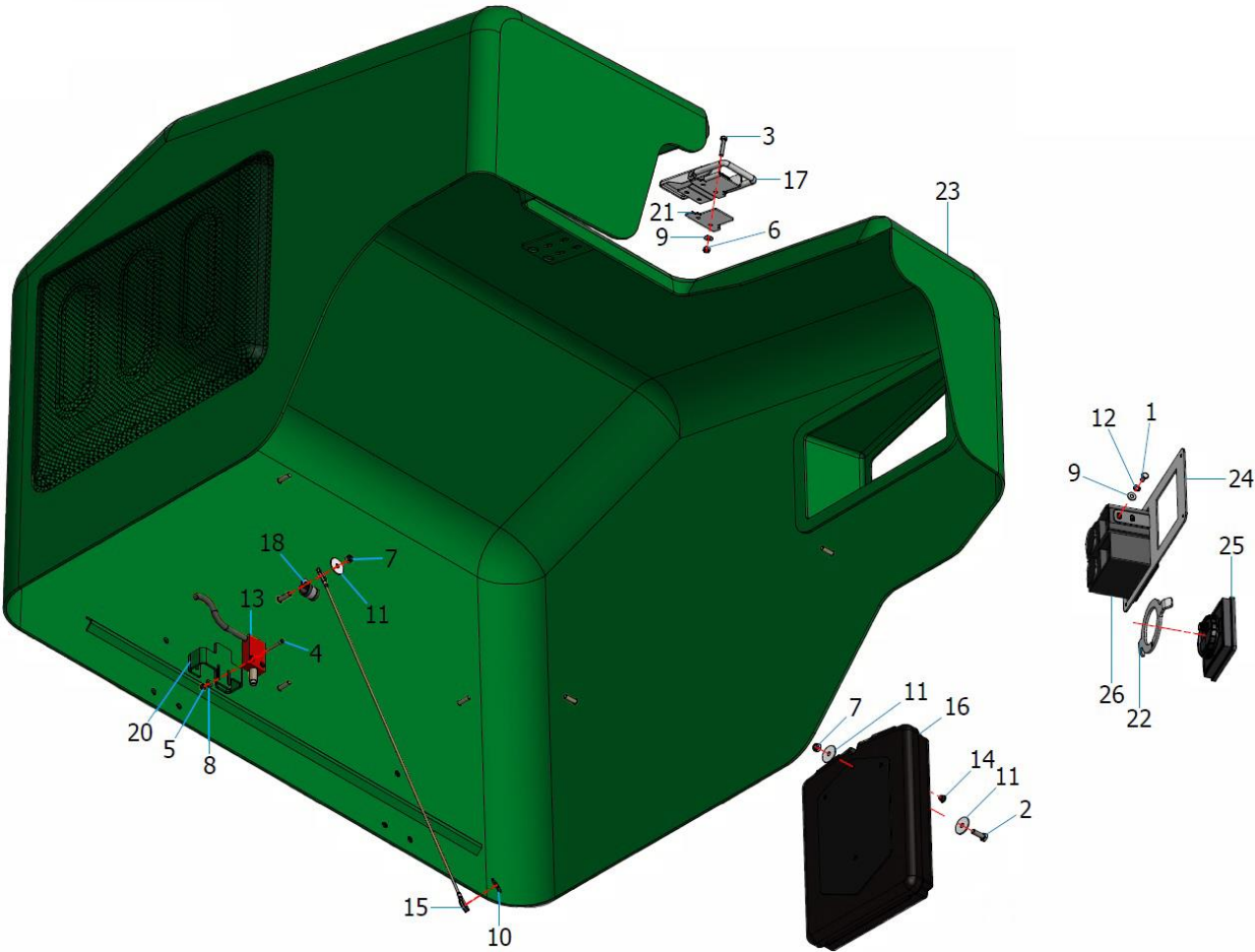
| ITEM NO. | PART NO. | REF NO. | DESCRIPTION. | QTY. |
|----------|-----------|---------|------------------------|------|
| 1 | 2770390 | 01B003 | BOLT | 3 |
| 2 | 2770488 | 01B004 | BOLT | 2 |
| 3 | 05.292.11 | 01B034 | BOLT | 4 |
| 4 | 05.292.38 | 01B098 | BOLT | 1 |
| 5 | 05.839.03 | 01B213 | BOLT | 1 |
| 6 | 2770415 | 01B215 | BOLT | 5 |
| 7 | 30.074.00 | 01B290 | BOLT | 2 |
| 8 | 2770336 | 01E072 | SKT CAP SCREW | 1 |
| 9 | RC00134 | 01E105 | SKT CAP SCREW | 4 |
| 10 | RC00135 | 01E114 | SKT CAP SCREW | 1 |
| 11 | 2770556 | 01E134 | SKT CAP SCREW | 8 |
| 12 | RC00152 | 01G039 | SKT CAP SCREW | 7 |
| 13 | 05.345.14 | 01J023 | SKT CSK SCREW | 6 |
| 14 | 2770491 | 03B001 | NUT | 2 |
| 15 | 2770416 | 03D005 | NYLOCK NUT | 6 |
| 16 | 2770412 | 03D006 | NYLOCK NUT | 4 |
| 17 | 2770447 | 03D009 | NYLOCK NUT | 2 |
| 18 | B001008 | 03Q017 | NORDLOCK WASHER | 2 |
| 19 | 2770244 | 03R006 | REPAIR WASHER | 1 |
| 20 | 2770454 | 03R010 | FLAT WASHER | 4 |
| 21 | RC00201 | 03S032 | LOCKING SPRING WASHER | 3 |
| 22 | 2770433 | 03T006 | SPRING WASHER | 4 |
| 23 | RC00225 | 03X013 | RIVET | 12 |
| 24 | RC00003 | 05A083 | PUMP ELBOW ADAPTOR | 1 |
| 25 | RC00004 | 05A140 | TANK ELBOW ADAPTOR | 1 |
| 26 | RC00007 | 05A158 | PORT ELBOW | 1 |
| 27 | RC00088 | 05C199 | ADAPTOR | 1 |
| 28 | RC00169 | 05J007 | HOSE ADAPTOR | 1 |
| 29 | RC00171 | 05J016 | HOSE ADAPTOR | 1 |
| 30 | RC00172 | 05J030 | TANK TO HOSE ADAPTOR | 1 |
| 31 | RC00190 | 05P026 | CRIMPING SOCKET | 4 |
| 32 | RC00204 | 05S003 | MALE PLASTIC COUPLER | 2 |
| 33 | RC00205 | 05S004 | FEMALE PLASTIC COUPLER | 2 |
| 34 | RC00229 | 063120 | PUMP GASKET | 1 |
| 35 | RC00095 | 07C088 | BELT | 3 |
| 36 | RC00115 | 07D001 | PUMP DRIVE ADAPTOR | 1 |
| 37 | RC00182 | 07L026 | HYDRAULIC COUPLER ASSY | 1 |
| 38 | RC00226 | 07Z011 | CAP | 1 |
| 39 | RC00227 | 07Z045 | HYDRAULIC COUPLER BUSH | 1 |
| 40 | RC00193 | 10R043 | STAINLESS STEEL MESH | 1 |
| 41 | RC00012 | 11A075 | BEARING | 2 |

SPEARHEAD XY 150

| | | | | |
|----|---------|--------|----------------------------|---|
| 42 | RC00140 | 12F025 | BUSH | 4 |
| 43 | RC00099 | 13C155 | HOSE | 1 |
| 44 | RC00192 | 16P004 | FUEL FILTER | 1 |
| 45 | RC00223 | 16U006 | OIL FILTER | 1 |
| 46 | RC00068 | 21B034 | SPRING | 4 |
| 47 | RC00156 | 21G016 | CIRCLIP | 2 |
| 48 | RC00103 | 29C067 | JUBILEE CLIP | 6 |
| 49 | RC00119 | 29D012 | DOUBLE WIRE HOSE CLIP | 1 |
| 50 | RC00121 | 29D033 | P CLIP | 1 |
| 51 | RC00122 | 29D037 | DOUBLE HOSE CLIP | 1 |
| 52 | RC00070 | 32B040 | FUEL PIPE | 5 |
| 53 | RC00078 | 36B178 | FUEL TANK STICKER | 1 |
| 54 | RC00178 | 41K025 | PUMP | 1 |
| 55 | RC00058 | 44A003 | LOMBARDINI LDW 1404 ENGINE | 1 |
| 56 | RC00058 | 44A003 | SILENCER | 1 |
| 57 | RC00213 | 44T072 | GASOIL FILTER | 1 |
| 58 | RC00214 | 44T080 | AIR FILTER | 1 |
| 59 | RC00126 | 45D006 | EXHAUST GASKET | 3 |
| 60 | RC00246 | 718366 | PULLEY SHAFT | 1 |
| 61 | RC00247 | 718368 | SHIM | 6 |
| 62 | RC00253 | 718514 | PULLEY BRACKET | 1 |
| 63 | RC00254 | 718516 | PULLEY | 1 |
| 64 | RC00261 | 718542 | ENGINE PLATE | 1 |
| 65 | RC00262 | 718543 | OUTPUT SHAFT | 1 |
| 66 | RC00269 | 718584 | EXHAUST PIPE | 1 |
| 67 | RC00273 | 718615 | LEFT HAND GRILL SUPPORT | 1 |
| 68 | RC00274 | 718616 | RIGHT HAND GRILL SUPPORT | 1 |
| 69 | RC00275 | 718617 | OUTER RAD GRILL PLATE | 1 |
| 70 | RC00276 | 718618 | INNER RAD GRILL PLATE | 1 |
| 71 | RC00300 | 718693 | ENGINE SUPPORT | 1 |
| 72 | RC00312 | 718710 | LEFT HOOD SUPPORT | 1 |
| 73 | RC00371 | 913A39 | HOSE | 1 |
| 74 | RC00381 | 919B9R | RUBBER CUSHION | 1 |
| 75 | RC00376 | 933A05 | FUEL TANK | 1 |
| 76 | RC00386 | 944C01 | FLEXIBLE AIR SUCTION HOSE | 1 |

SPEARHEAD XY 150

35hp HOOD ASSEMBLY (Lombardini LDW 1404 Engine)



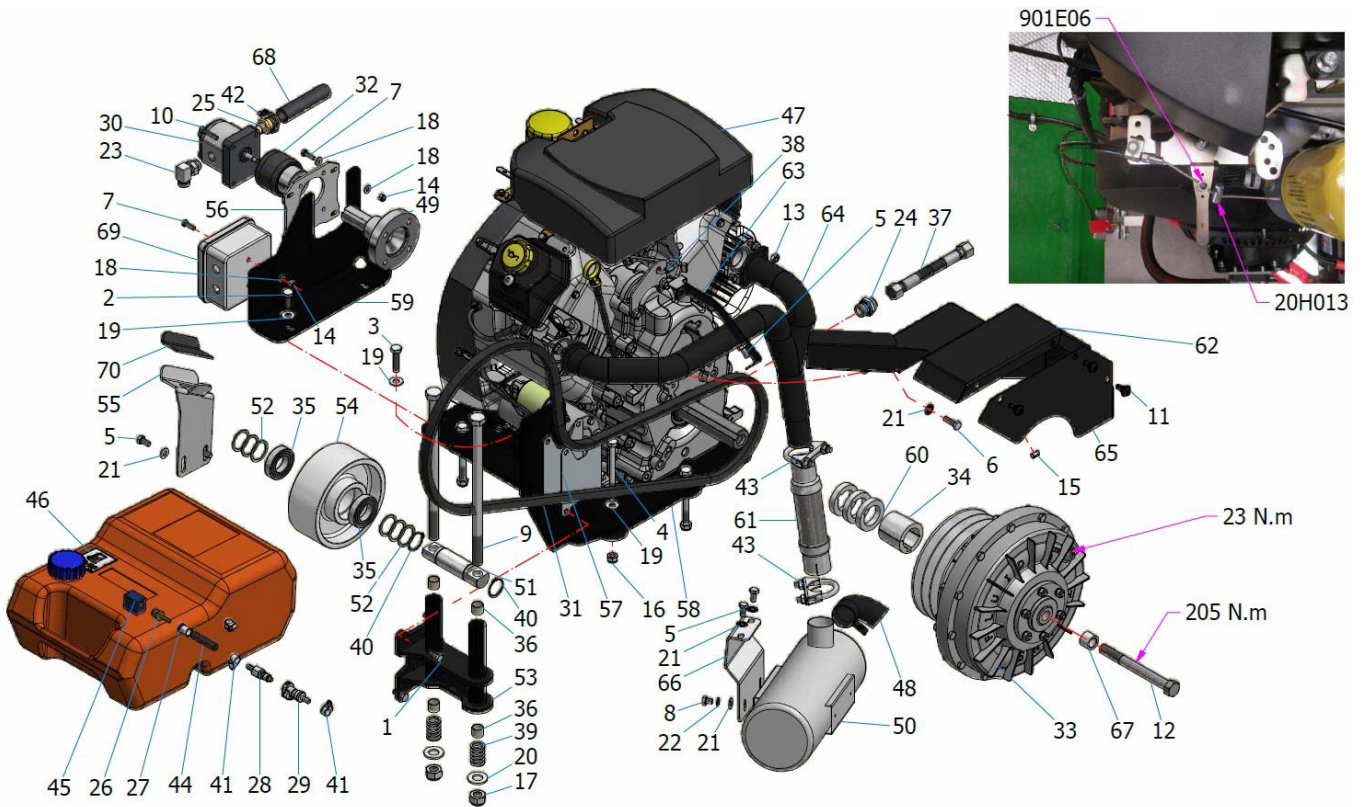
SPEARHEAD XY 150

35hp HOOD ASSEMBLY (*Lombardini LDW 1404 Engine*)

| ITEM NO. | PART NO. | REF NO. | DESCRIPTION. | QTY. |
|----------|----------------------|---------|------------------------------|------|
| 1 | 2770245 | 01B240 | BOLT | 4 |
| 2 | 30.068.83 | 01B242 | BOLT | 2 |
| 3 | RC00062 | 01B307 | BOLT | 4 |
| 4 | RC00128 | 01E010 | SKT CSK SCREW | 2 |
| 5 | 05.948.33 | 03D002 | NYLOCK NUT | 2 |
| 6 | 2770394 | 03D003 | NYLOCK NUT | 4 |
| 7 | 2770373 | 03D004 | NYLOCK NUT | 7 |
| 8 | 30.074.95 | 03R002 | FLAT WASHER | 2 |
| 9 | 2770391 | 03R003 | FLAT WASHER | 8 |
| 10 | 2770244 | 03R006 | REPAIR WASHER | 1 |
| 11 | 2770363 | 03R123 | REPAIR WASHER | 5 |
| 12 | 05.282.04 | 03T004 | SPRING WASHER | 4 |
| 13 | RC00100 | 18C232 | POSITION SWITCH | 1 |
| 14 | RC00022 | 19A071 | PLUG | 2 |
| 15 | RC00154 | 20G005 | HOOD RETENTION WIRE | 1 |
| 16 | RC00029 | 26A372 | DOCUMENTS CONTAINER | 1 |
| 17 | RC00035 | 26A455 | HOOD CATCH | 1 |
| 18 | RC00118 | 29D003 | P CLIP | 5 |
| 20 | RC00249 | 718420 | POSITION SENSOR SUPPORT | 1 |
| 21 | RC00263 | 718552 | HOOD CATCH COUNTER PLATE | 1 |
| 22 | RC00289 | 718679 | IFM BLOCKING TOOL | 1 |
| 23 | RC00302 | 718696 | HOOD | 1 |
| 24 | RC00329 | 718800 | DASHBOARD | 1 |
| 25 | CONTACT SPEARHEAD | | NOSTRESS DISPLAY | 1 |
| 26 | CONTACT SPEARHEAD | | WARNING LIGHTS DISPLAY + KEY | 1 |

SPEARHEAD XY 150

34/38hp KOHLER CH 940/980 ENGINE (71853C/71854C)



SPEARHEAD XY 150

34hp KOHLER CH 940/980 ENGINE (71853C/71854C)

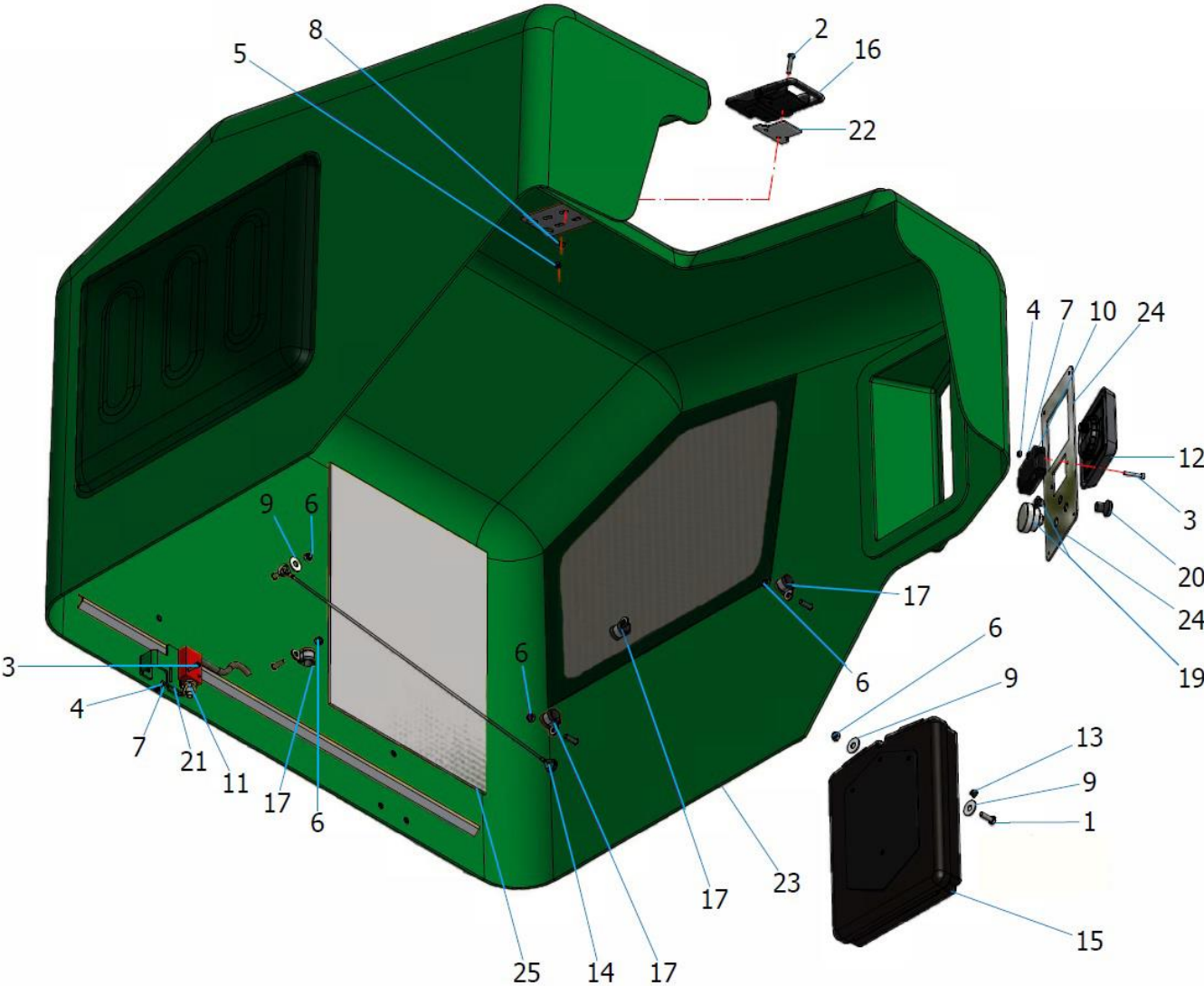
| ITEM NO. | PART NO. | REF NO. | DESCRIPTION. | QTY. |
|----------|-----------|---------|--------------------------|------|
| 1 | 2770402 | 01B002 | BOLT | 4 |
| 2 | 2770407 | 01B023 | BOLT | 2 |
| 3 | 05.291.13 | 01B026 | BOLT | 4 |
| 4 | 05.292.14 | 01B037 | BOLT | 4 |
| 5 | 05.839.03 | 01B213 | BOLT | 5 |
| 6 | 2770415 | 01B215 | BOLT | 2 |
| 7 | 30.068.83 | 01B242 | BOLT | 6 |
| 8 | RC00061 | 01B245 | BOLT | 2 |
| 9 | 30.074.00 | 01B290 | BOLT | 2 |
| 10 | RC00131 | 01E073 | SKT CAP SCREW | 4 |
| 11 | RC00220 | 01U157 | BIND RIVET BOLT | 3 |
| 12 | RC00222 | 01U172 | BOLT | 1 |
| 13 | 2770491 | 03B001 | NUT | 4 |
| 14 | 2770373 | 03D004 | NYLOCK NUT | 10 |
| 15 | 2770416 | 03D005 | NYLOCK NUT | 1 |
| 16 | 2770412 | 03D006 | NYLOCK NUT | 4 |
| 17 | 2770447 | 03D009 | NYLOCK NUT | 2 |
| 18 | 2771408 | 03R004 | FLAT WASHER | 14 |
| 19 | 2770434 | 03R007 | FLAT WASHER | 10 |
| 20 | 2770454 | 03R010 | FLAT WASHER | 2 |
| 21 | RC00201 | 03S032 | LOCKING WASHER | 8 |
| 22 | 2770433 | 03T006 | SPRING WASHER | 2 |
| 23 | RC00007 | 05A158 | PORT ELBOW | 1 |
| 24 | RC00089 | 05C373 | ADAPTOR | 1 |
| 25 | RC00170 | 05J010 | ADAPTOR | 1 |
| 26 | RC00172 | 05J030 | TANK TO HOSE ADAPTOR | 1 |
| 27 | RC00190 | 05P026 | CRIMPING SOCKET | 1 |
| 28 | RC00204 | 05S003 | MALE PLASTIC COUPLER | 1 |
| 29 | RC00205 | 05S004 | FEMALE PLASTIC COUPLER | 1 |
| 30 | RC00382 | 066B18 | PUMP | 1 |
| 31 | RC00094 | 07C086 | BELT | 3 |
| 32 | RC00139 | 07F072 | BOWEX COUPLING | 1 |
| 33 | RC00173 | 07L023 | HYDRAULIC COUPLER | 1 |
| 34 | RC00228 | 07Z046 | HYDRAULIC COUPLER SOCKET | 1 |
| 35 | RC00012 | 11A075 | BEARING | 2 |
| 36 | RC00140 | 12F025 | BUSH | 4 |
| 37 | RC00099 | 13C155 | HOSE | 1 |
| 38 | RC00177 | 20K001 | QUICK LINK | 1 |
| 39 | RC00068 | 21B034 | SPRING | 2 |
| 40 | RC00156 | 21G016 | CIRCLIP | 2 |
| 41 | RC00103 | 29C067 | JUBILEE CLIP | 4 |

SPEARHEAD XY 150

| | | | | |
|----|---------|--------|-------------------------|---|
| 42 | RC00122 | 29D037 | DOUBLE HOSE CLAMP | 1 |
| 43 | RC00125 | 29D052 | EXHAUST PIPE CLAMP | 2 |
| 44 | RC00070 | 32B040 | HOSE | 1 |
| 45 | RC00071 | 33B014 | FUEL TANK | 1 |
| 46 | RC00080 | 36B186 | FUEL TANK STICKER | 1 |
| 47 | RC00180 | 44K004 | KOHLER CH940/980 ENGINE | 1 |
| 48 | RC00215 | 44T114 | SILENCER END TRIM | 1 |
| 49 | RC00217 | 44T131 | OUTPUT SHAFT | 1 |
| 50 | RC00218 | 44T133 | SILENCER | 1 |
| 51 | RC00246 | 718366 | PULLEY SHAFT | 1 |
| 52 | RC00247 | 718368 | SHIM | 6 |
| 53 | RC00253 | 718514 | PULLEY BRACKET | 1 |
| 54 | RC00254 | 718516 | PULLEY | 1 |
| 55 | RC00306 | 718703 | LEFT HOOD SUPPORT | 1 |
| 56 | RC00317 | 718715 | PLATED PUMP SUPPORT | 1 |
| 57 | RC00323 | 718725 | ADJUSTING SHIM | 2 |
| 58 | RC00339 | 718858 | MOTOR SUPPORT | 1 |
| 59 | RC00340 | 718859 | PAINTED PUMP SUPPORT | 1 |
| 60 | RC00342 | 718866 | COUPLER SOCKET SPACER | 6 |
| 61 | RC00347 | 718871 | EXHAUST PIPE | 1 |
| 62 | RC00350 | 718877 | HEAT SHIELD | 1 |
| 63 | RC00351 | 718878 | ENGINE BRACKET | 1 |
| 64 | RC00352 | 718879 | EXHAUST MANIFOLD | 1 |
| 65 | RC00353 | 718880 | HEAT SHIELD | 1 |
| 66 | RC00357 | 718886 | SILENCER BRACKET | 1 |
| 67 | RC00360 | 782676 | SPACER | 1 |
| 68 | RC00370 | 913A38 | HOSE | 1 |
| 69 | RC00390 | 918H95 | PLEXO BOX | 1 |
| 70 | RC00381 | 919B9R | RUBBER CUSHION | 1 |

SPEARHEAD XY 150

34/38hp HOOD ASSEMBLY (Kohler CH 940/980 Engine)



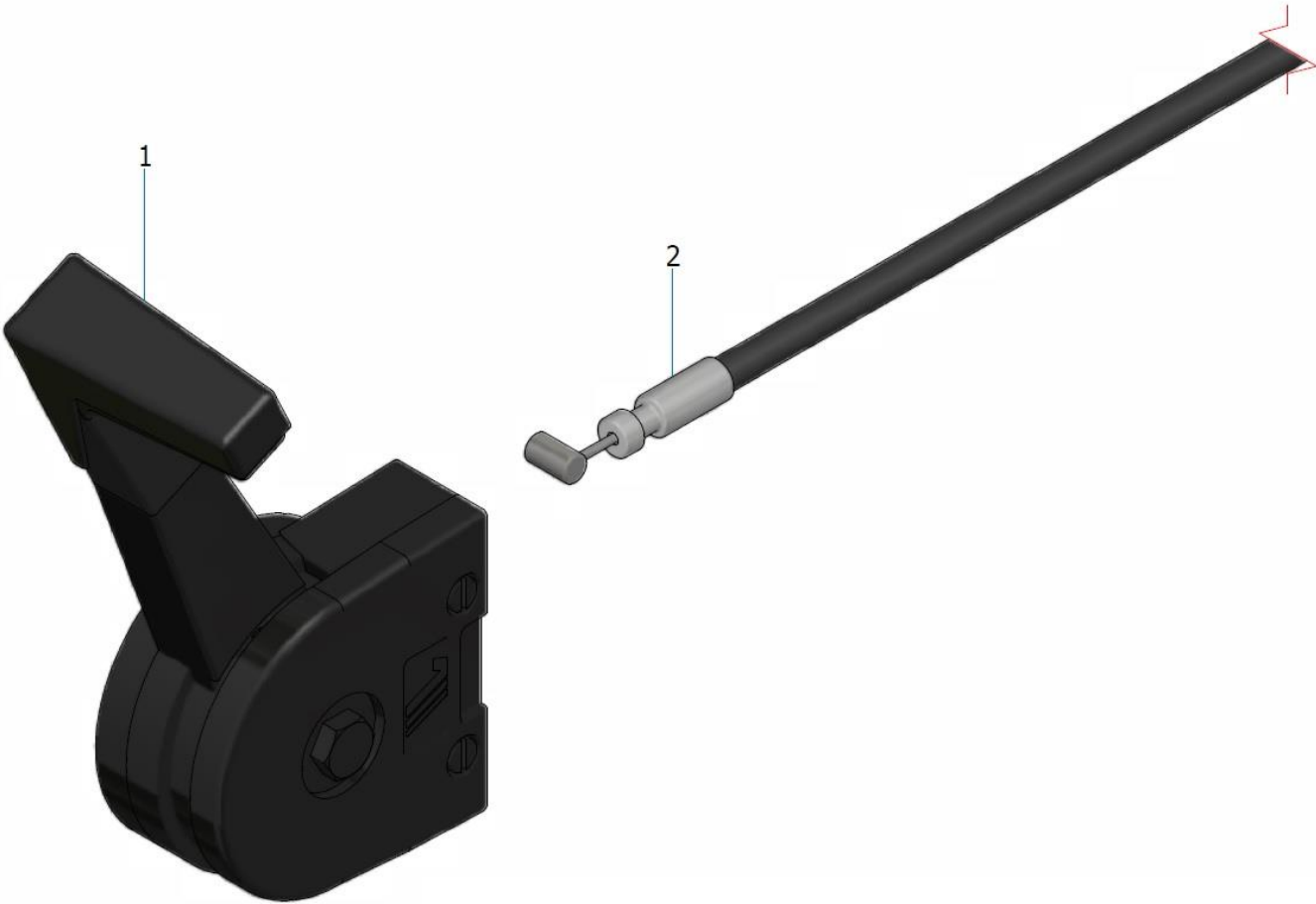
SPEARHEAD XY 150

34/38hp HOOD ASSEMBLY (Kohler CH 940/980 Engine)

| ITEM NO. | PART NO. | REF NO. | DESCRIPTION. | QTY. |
|----------|-----------|---------|--------------------------|------|
| 1 | 30.068.83 | 01B242 | BOLT | 2 |
| 2 | RC00062 | 01B307 | BOLT | 4 |
| 3 | RC00128 | 01E010 | SKT CAP SCREW | 4 |
| 4 | 05.948.33 | 03D002 | NYLOCK NUT | 4 |
| 5 | 2770394 | 03D003 | NYLOCK NUT | 4 |
| 6 | 2770373 | 03D004 | NYLOCK NUT | 6 |
| 7 | 30.074.95 | 03R002 | FLAT WASHER | 4 |
| 8 | 2770391 | 03R003 | FLAT WASHER | 4 |
| 9 | 2770244 | 03R006 | REPAIR WASHER | 5 |
| 10 | RC00230 | 099025 | TACHOMETER | 1 |
| 11 | RC00100 | 18C232 | POSITION SWITCH | 1 |
| 12 | RC00197 | 18R128 | DISPLAY | 1 |
| 13 | RC00022 | 19A071 | PLUG | 2 |
| 14 | RC00154 | 20G005 | HOOD RETENTION WIRE | 1 |
| 15 | RC00029 | 26A372 | DOCUMENTS CONTAINER | 1 |
| 16 | RC00041 | 26A565 | HOOD CATCH | 1 |
| 17 | RC00118 | 29D003 | P CLIP | 4 |
| 19 | RC00216 | 44T130 | CONTROL PANEL | 1 |
| 20 | RC00219 | 44T147 | BUTTON | 1 |
| 21 | RC00249 | 718420 | POSITION SENSOIR SUPPORT | 1 |
| 22 | RC00263 | 718552 | HOOD CATCH COUNTER PLATE | 1 |
| 23 | RC00313 | 718711 | HOOD | 1 |
| 24 | RC00341 | 718865 | DASHBOARD | 1 |
| 25 | RC00388 | 926D18 | SOUNDPROOFING | 1 |

SPEARHEAD XY 150

MANUAL ACCELERATOR



| ITEM NO. | PART NO. | REF NO. | DESCRIPTION. | QTY. |
|----------|----------|---------|-------------------|------|
| 1 | RC00038 | 26A516 | THROTTLE ASSEMBLY | 1 |
| 2 | RC00039 | 26A522 | THROTTLE CABLE | 1 |

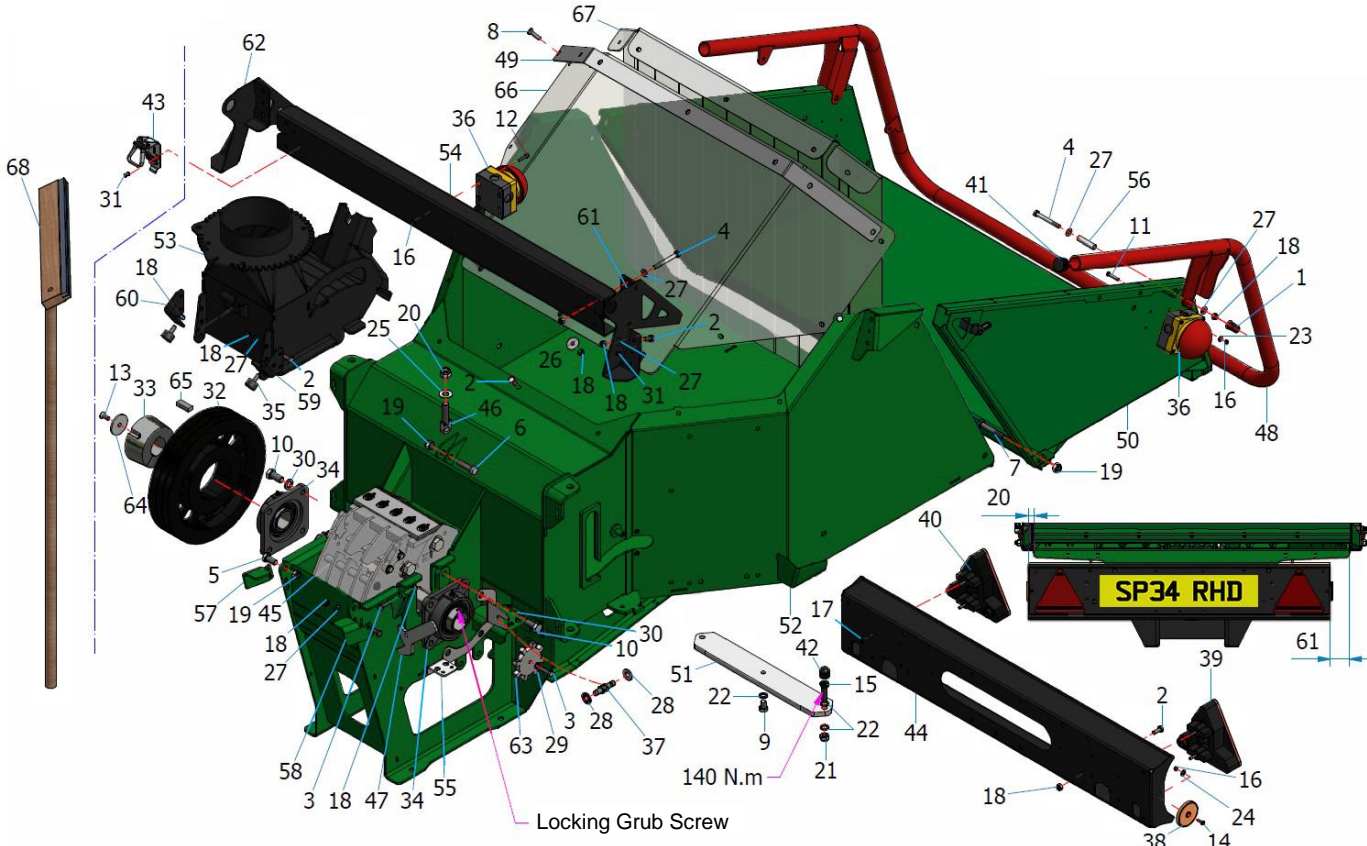
SPEARHEAD XY 150

AUTOMATIC ACCELERATOR

| ITEM NO. | PART NO. | REF NO. | DESCRIPTION. | QTY. |
|----------|----------|---------|------------------------------------|------|
| 1 | 2770402 | 01B002 | BOLT | 2 |
| 2 | 2770545 | 01B022 | BOLT | 1 |
| 3 | RC00127 | 01E001 | SKT CAP SCREW | 1 |
| 4 | 2770416 | 03D005 | NYLOCK NUT | 2 |
| 5 | RC00202 | 03S033 | LOCKING SPRING WASHER | 1 |
| 6 | RC00387 | 047D12 | ACTUATOR | 1 |
| 7 | RC00001 | 05A028 | ELBOW ADAPTOR | 1 |
| 8 | RC00007 | 05A158 | ELBOW ADAPTOR | 1 |
| 9 | RC00008 | 05A182 | ELBOW ADAPTOR | 2 |
| 10 | RC00090 | 05C374 | ADAPTOR | 2 |
| 11 | RC00111 | 05D081 | ADAPTOR | 1 |
| 12 | RC00113 | 05D110 | ADAPTOR | 1 |
| 13 | RC00114 | 05D125 | ADAPTOR | 1 |
| 14 | RC00137 | 05F054 | TEE ADAPTOR | 1 |
| 15 | RC00153 | 05G007 | TEE ADAPTOR | 1 |
| 16 | RC00365 | 070A10 | 3-WAY DIVERTER VALVE | 1 |
| 17 | RC00191 | 09P007 | ANTI-RETURN VALVE | 1 |
| 18 | RC00206 | 09T016 | FEED ROLLER ADJUSTER VALVE ASSY | 1 |
| 19 | RC00065 | 13B097 | HOSE | 3 |
| 20 | RC00020 | 16A009 | FILTER | 1 |
| 21 | RC00067 | 19B019 | RUBBER BOOT | 1 |
| 22 | RC00069 | 21B053 | COMPRESSION SPRING | 1 |
| 23 | RC00027 | 26A239 | FLEXIBLE SHEATH | 1 |
| 24 | RC00282 | 718626 | ACCELERATOR THROTTLE HOLDER | 1 |
| 25 | RC00283 | 718627 | SHEATH SUPPORT | 1 |
| 26 | RC00284 | 718628 | ACCELERATOR CABLE | 1 |

SPEARHEAD XY 150

HOPPER ASSEMBLY (only on hopper without feed roller)



SPEARHEAD XY 150

HOPPER ASSEMBLY

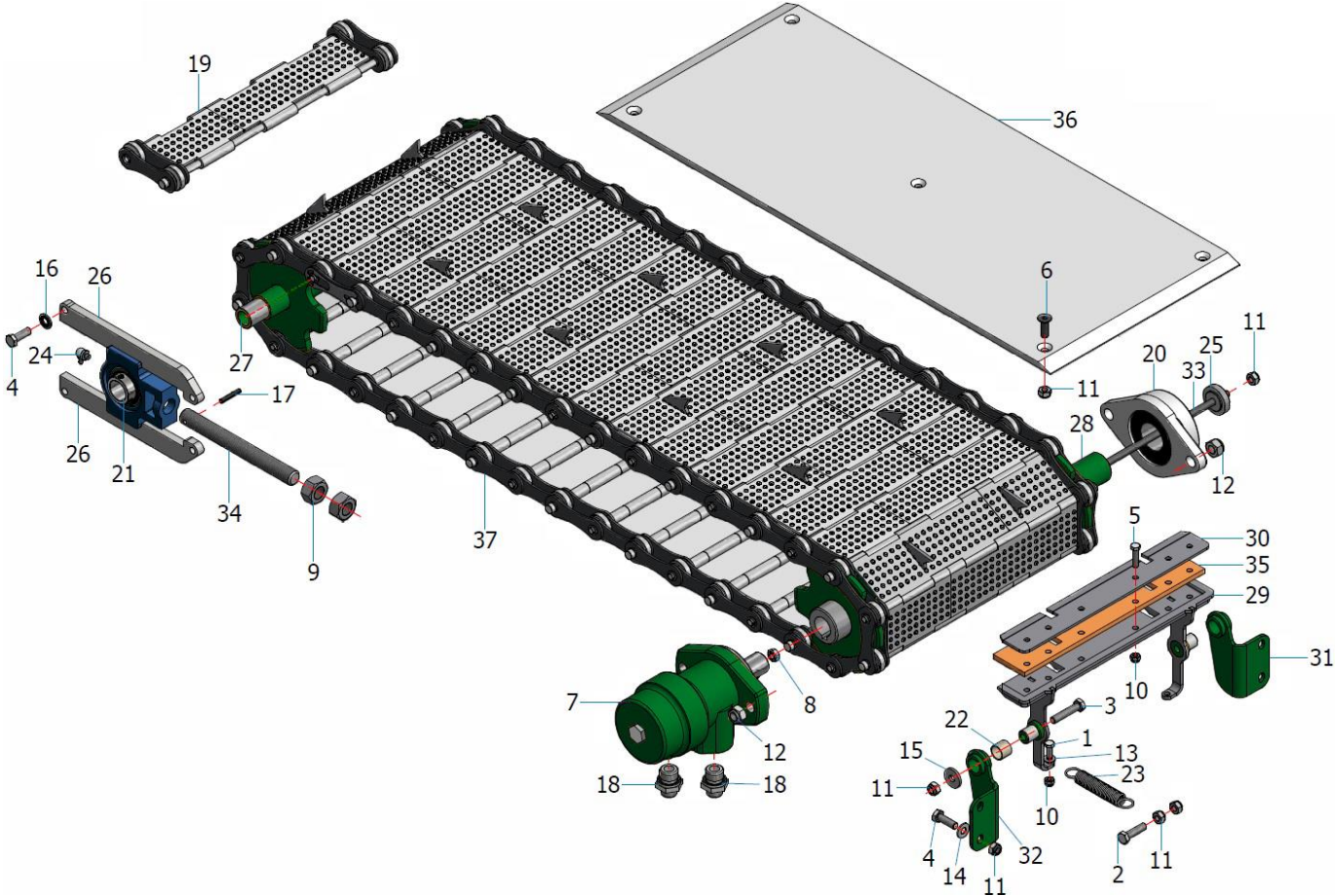
| ITEM NO. | PART NO. | REF NO. | DESCRIPTION. | QTY. |
|----------|-----------|---------|----------------------------|------|
| 1 | RC00363 | 00618A | SEALING KIT | 2 |
| 2 | 2770402 | 01B002 | BOLT | 22 |
| 3 | 2770390 | 01B003 | BOLT | 2 |
| 4 | 05.291.09 | 01B011 | BOLT | 6 |
| 5 | 2770484 | 01B043 | BOLT | 2 |
| 6 | 2770397 | 01B047 | BOLT | 1 |
| 7 | 2770424 | 01B052 | BOLT | 2 |
| 8 | 2770415 | 01B215 | BOLT | 7 |
| 9 | 30.214.45 | 01B225 | BOLT | 1 |
| 10 | 2770493 | 01B226 | BOLT | 8 |
| 11 | RC00060 | 01B244 | BOLT | 4 |
| 12 | RC00129 | 01E041 | SKT CAP SCREW | 2 |
| 13 | RC00166 | 01J042 | SKT CSK SCREW | 1 |
| 14 | RC00185 | 01N007 | CSK SCREW | 2 |
| 15 | RC00221 | 01U171 | BOLT | 2 |
| 16 | 2770394 | 03D003 | NYLOCK NUT | 8 |
| 17 | 2770373 | 03D004 | NYLOCK NUT | 4 |
| 18 | 2770416 | 03D005 | NYLOCK NUT | 40 |
| 19 | 2770417 | 03D007 | NYLOCK NUT | 5 |
| 20 | 30.077.57 | 03D008 | NYLOCK NUT | 1 |
| 21 | RC00184 | 03M073 | NYLOCK NUT | 2 |
| 22 | B001013 | 03Q008 | NORDLOCK WASHER | 5 |
| 23 | 2770391 | 03R003 | FLAT WASHER | 4 |
| 24 | 2771408 | 03R004 | FLAT WASHER | 2 |
| 25 | 2770455 | 03R009 | FLAT WASHER | 1 |
| 26 | 2770244 | 03R022 | REPAIR WASHER | 14 |
| 27 | 2770432 | 03R023 | FLAT WASHER | 24 |
| 28 | RC00203 | 03S034 | LOCKING SPRING WASHER | 2 |
| 29 | 2770433 | 03T006 | SPRING WASHER | 1 |
| 30 | 05.282.08 | 03T009 | SPRING WASHER | 8 |
| 31 | RC00224 | 03X010 | POP RIVET | 6 |
| 32 | RC00010 | 07A091 | PULLEY | 1 |
| 33 | RC00011 | 07A092 | TAPER LOCK | 1 |
| 34 | RC00159 | 11H078 | BEARING COLLAR ASSY | 2 |
| 35 | RC00018 | 15A047 | RUBBER BUMP STOP | 2 |
| 36 | RC00101 | 18C361 | EMERGENCY STOP BUTTON ASSY | 3 |
| 37 | RC00116 | 18D136 | INDUCTIVE SENSOR | 1 |
| 38 | RC00141 | 18F032 | AMBER ROUND REFLECTOR | 2 |
| 39 | RC00148 | 18F658 | LH LIGHT/REFLECTOR CLUSTER | 1 |
| 40 | RC00149 | 18F659 | RH LIGHT/REFLECTOR CLUSTER | 1 |
| 41 | RC00021 | 19A030 | PLASTIC CAP | 2 |

SPEARHEAD XY 150

| | | | | |
|----|---------|--------|---------------------------------|---|
| 42 | RC00023 | 19A131 | PLASTIC NUT COVER | 2 |
| 43 | RC00042 | 26A569 | TOOL LOCK BRACKET | 1 |
| 44 | RC00233 | 700909 | NUMBERPLATE/LIGHT BRACKET | 1 |
| 45 | RC00231 | 70386B | XY150 MIXED ROTOR | 1 |
| 46 | RC00234 | 718128 | CHUTE LOCKING BOLT | 1 |
| 47 | RC00243 | 718304 | ROTOR LOCKING TOOL | 1 |
| 48 | RC00251 | 718512 | CONTROL BAR | 1 |
| 49 | RC00264 | 718553 | PLASTIC SAFETY SCREEN TRIM | 1 |
| 50 | RC00287 | 718667 | HOPPER | 1 |
| 51 | RC00290 | 718682 | COUNTER KNIFE | 1 |
| 52 | RC00296 | 718689 | ROTOR CHASSIS WITH FEED BELT | 1 |
| | RC00297 | 718690 | ROTOR CHASSIS WITHOUT FEED BELT | 1 |
| 53 | RC00328 | 718794 | REMOVABLE CHUTE | 1 |
| 54 | RC00331 | 718804 | EMERGENCY STOP SUPPORT TOP BAR | 1 |
| 55 | RC00335 | 718821 | SENSOR/FLAIL BOLT PLATE | 1 |
| 56 | RC00338 | 718842 | BRACE | 2 |
| 57 | RC00343 | 718867 | RH BUFFER SUPPORT | 1 |
| 58 | RC00344 | 718868 | LH BUFFER SUPPORT | 1 |
| 59 | RC00345 | 718869 | LH BUMP STOP BRACKET | 1 |
| 60 | RC00346 | 718870 | RH BUMP STOP BRACKET | 1 |
| 61 | RC00348 | 718872 | LH SUPPORT TOP BAR BRACKET | 1 |
| 62 | RC00349 | 718873 | RH SUPPORT TOP BAR BRACKET | 1 |
| 63 | RC00356 | 718885 | 8 TOOTH SENSOR DISC | 1 |
| 64 | RC00359 | 720006 | PIN RETAINING WASHER | 1 |
| 65 | RC00400 | 910V06 | KEYWAY | 1 |
| 66 | RC00372 | 919A29 | POLYCARBONATE PROTECTION SCREEN | 1 |
| 67 | RC00379 | 919B8R | TRANSPARENT RUBBER FLAP | 1 |
| 68 | RC00374 | 926A37 | SCRAPER | 1 |

SPEARHEAD XY 150

FEED BELT



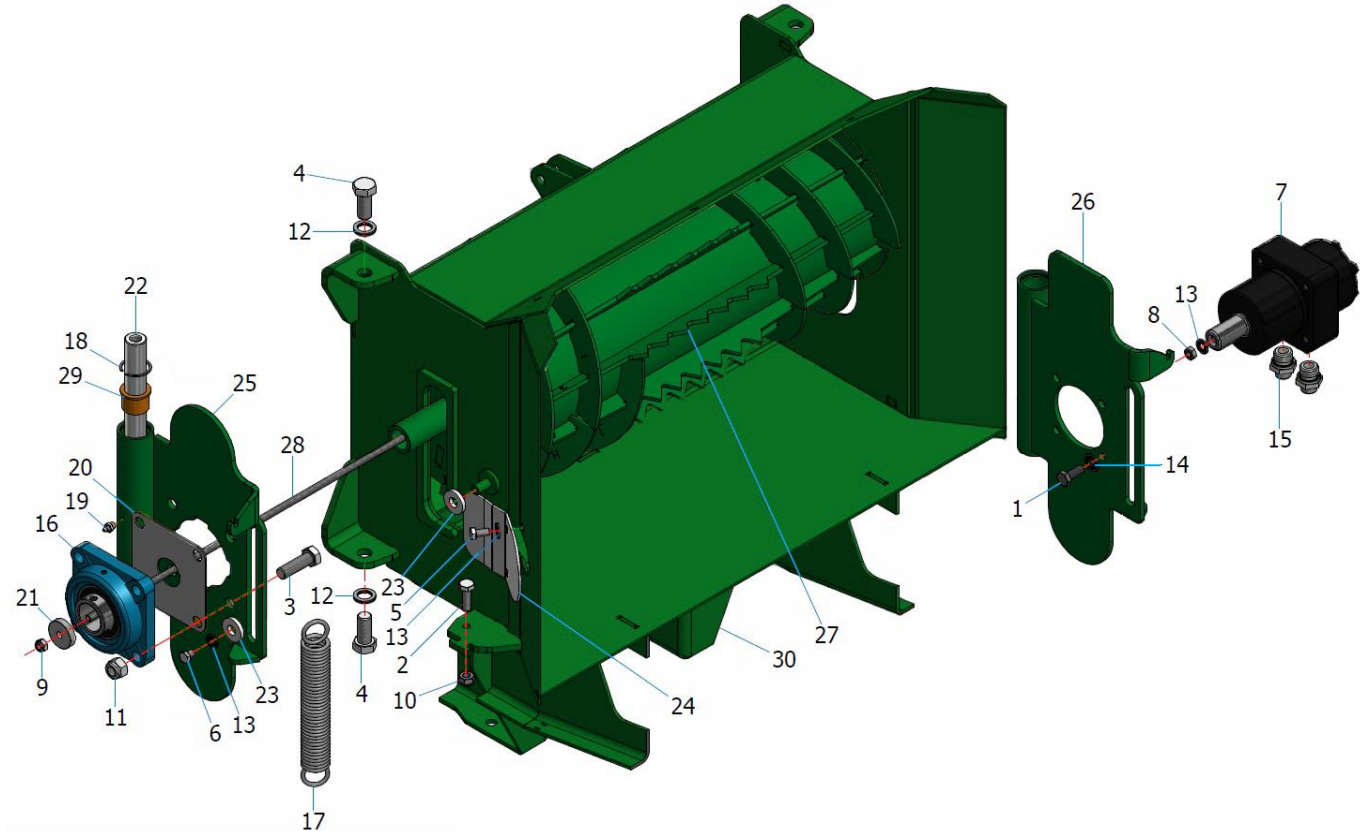
SPEARHEAD XY 150

FEED BELT

| ITEM NO. | PART NO. | REF NO. | DESCRIPTION. | QTY. |
|----------|-----------|---------|----------------------------|------|
| 1 | 05.839.05 | 01B001 | BOLT | 2 |
| 2 | 2770390 | 01B003 | BOLT | 2 |
| 3 | 05.291.03 | 01B005 | BOLT | 2 |
| 4 | 2770415 | 01B215 | BOLT | 12 |
| 5 | 30.068.84 | 01B241 | BOLT | 6 |
| 6 | RC00167 | 01J043 | SKT CSK SCREW | 5 |
| 7 | RC00364 | 021A96 | HYDRAULIC MOTOR | 1 |
| 8 | 2770491 | 03B001 | NUT | 1 |
| 9 | 05.286.18 | 03B006 | NUT | 4 |
| 10 | 2770373 | 03D004 | NYLOCK NUT | 8 |
| 11 | 2770416 | 03D005 | NYLOCK NUT | 16 |
| 12 | 2770417 | 03D007 | NYLOCK NUT | 4 |
| 13 | 2771408 | 03R004 | FLAT WASHER | 2 |
| 14 | 2770432 | 03R023 | FLAT WASHER | 4 |
| 15 | 2770244 | 03R115 | REPAIR WASHER | 2 |
| 16 | RC00201 | 03S032 | LOCKING SPRING WASHER | 8 |
| 17 | RC00110 | 04D019 | ELASTIC PIN | 2 |
| 18 | RC00089 | 05C373 | ADAPTOR | 2 |
| 19 | RC00064 | 07B075 | CONNECTING LINK | 1 |
| 20 | RC00158 | 11H051 | BEARING ASSEMBLY | 1 |
| 21 | RC00175 | 11L007 | SLIDING BEARING TENSIONER | 2 |
| 22 | RC00140 | 12F025 | BUSH | 2 |
| 23 | RC00025 | 21A012 | TENSION SPRING | 2 |
| 24 | 2770497 | 22C021 | 90° GREASE NIPPLE | 2 |
| 25 | RC00248 | 718372 | FEED ROLLER LOCKING WASHER | 1 |
| 26 | RC00256 | 718528 | SLIDING BEARING SUPPORT | 4 |
| 27 | RC00260 | 718536 | REAR ROLLER TENSIONER ASSY | 1 |
| 28 | RC00277 | 718621 | FRONT ROLLER PULLEY ASSY | 1 |
| 29 | RC00278 | 718622 | SCRAPER | 1 |
| 30 | RC00279 | 718623 | SCRAPER CLAMPING PLATE | 1 |
| 31 | RC00280 | 718624 | LH SCRAPER BRACKET | 1 |
| 32 | RC00281 | 718625 | RH SCRAPER BRACKET | 1 |
| 33 | RC00366 | 902A0X | THREADED SHAFT | 1 |
| 34 | RC00368 | 902A1G | THREADED SHAFT | 2 |
| 35 | RC00380 | 919B9K | SCRAPER CLEANING PAD | 1 |
| 36 | RC00385 | 919C2A | FEED BELT WEAR PAD | 1 |
| 37 | RC00375 | 930A02 | METAL FEED BELT ASSY | 1 |

SPEARHEAD XY 150

FEED ROLLER



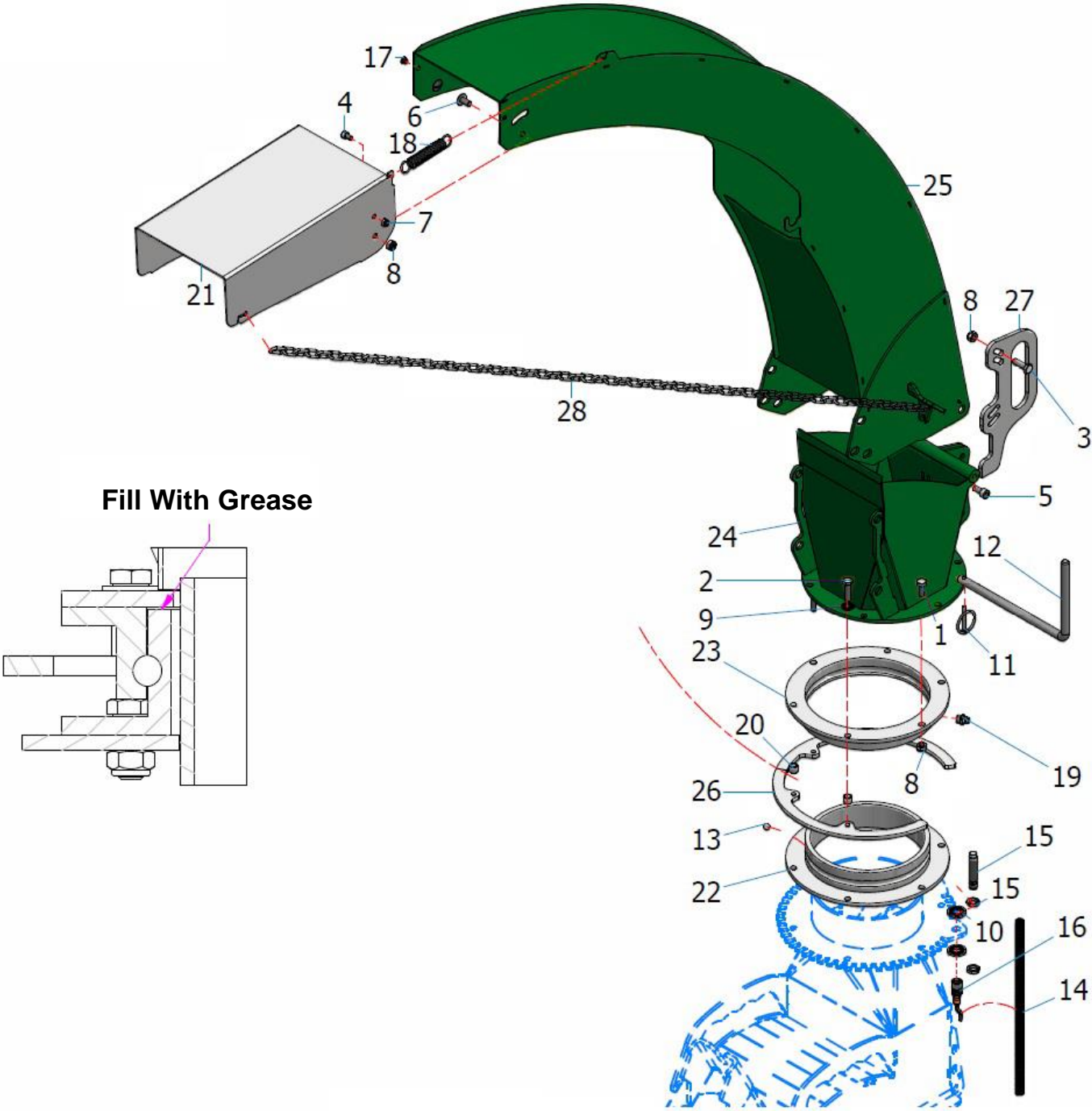
SPEARHEAD XY 150

FEED ROLLER

| ITEM NO. | PART NO. | REF NO. | DESCRIPTION. | QTY. |
|----------|-----------|---------|----------------------------|------|
| 1 | 2770407 | 01B023 | BOLT | 4 |
| 2 | 2770421 | 01B024 | BOLT | 2 |
| 3 | 2770611 | 01B064 | BOLT | 4 |
| 4 | 05.264.34 | 01B082 | BOLT | 4 |
| 5 | 05.839.03 | 01B213 | BOLT | 2 |
| 6 | RC00061 | 01B245 | BOLT | 2 |
| 7 | RC00377 | 021B50 | HYDRAULIC MOTOR | 1 |
| 8 | 2770491 | 03B001 | NUT | 1 |
| 9 | 2770416 | 03D005 | NYLOCK NUT | 1 |
| 10 | 2770412 | 03D006 | NYLOCK NUT | 2 |
| 11 | 30.077.57 | 03D008 | NYLOCK NUT | 4 |
| 12 | B001017 | 03Q010 | NORDLOCK WASHER | 4 |
| 13 | RC00201 | 03S032 | LOCKING SPRING WASHER | 5 |
| 14 | RC00202 | 03S033 | LOCKING SPRING WASHER | 4 |
| 15 | RC00089 | 05C373 | ADAPTOR | 2 |
| 16 | RC00160 | 11H081 | COMPLETE BEARING ASSY | 1 |
| 17 | RC00026 | 21A016 | SPRING | 2 |
| 18 | RC00162 | 21H001 | EXPANSIVE RING | 4 |
| 19 | 2770468 | 22C005 | GREASE NIPPLE | 2 |
| 20 | RC00244 | 718325 | BEARING BACKPLATE | 1 |
| 21 | RC00248 | 718372 | FEED ROLLER LOCKING WASHER | 1 |
| 22 | RC00257 | 718530 | SLIDE | 2 |
| 23 | RC00258 | 718534 | SPACER | 4 |
| 24 | RC00259 | 718535 | PLATE | 1 |
| 25 | RC00298 | 718691 | LH BEARING SUPPORT BRACKET | 1 |
| 26 | RC00299 | 718692 | RH MOTOR SUPPORT BRACKET | 1 |
| 27 | RC00314 | 718712 | FEED ROLLER DRUM | 1 |
| 28 | RC00367 | 902A1F | THREADED SHAFT | 1 |
| 29 | RC00389 | 912F01 | METAFRAME BUSH | 4 |
| 30 | | HOPPER | FEED ROLLER CHASSIS | 1 |

SPEARHEAD XY 150

EJECTION CHUTE



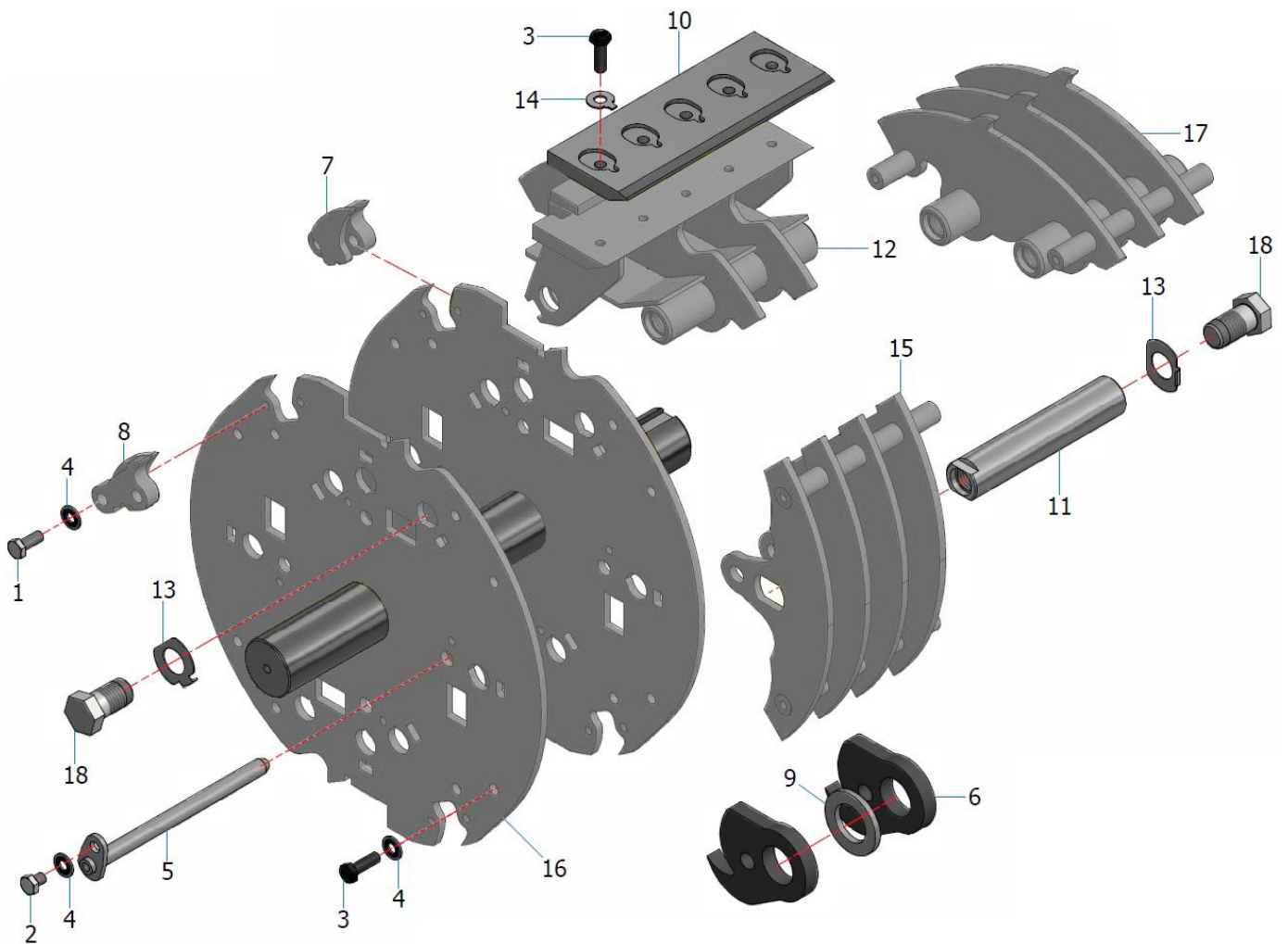
SPEARHEAD XY 150

EJECTION CHUTE

| ITEM NO. | PART NO. | REF NO. | DESCRIPTION. | QTY. |
|----------|----------|---------|-----------------------------|------|
| 1 | 2770402 | 01B002 | BOLT | 2 |
| 2 | 2770390 | 01B003 | BOLT | 4 |
| 3 | 2770415 | 01B215 | BOLT | 2 |
| 4 | RC00130 | 01E065 | SKT CAP SCREW | 1 |
| 5 | RC00133 | 01E099 | SKT CAP SCREW | 2 |
| 6 | RC00183 | 01M003 | STOVE SCREW | 2 |
| 7 | 2770373 | 03D004 | NYLOCK NUT | 1 |
| 8 | 2770416 | 03D005 | NYLOCK NUT | 6 |
| 9 | RC00201 | 03S032 | LOCKING SPRING WASHER | 4 |
| 10 | RC00203 | 03S034 | LOCKING SPRING WASHER | 2 |
| 11 | RC00085 | 04C001 | LYNCH PIN | 1 |
| 12 | RC00189 | 04P898 | EJECTION CHUTE LOCKING PIN | 1 |
| 13 | RC00176 | 11K017 | BALL BEARING BALL | 60 |
| 14 | RC00066 | 18B129 | INNER RING SHEATH | 1 |
| 15 | RC00116 | 18D136 | INDUCTIVE SENSOR | 1 |
| 16 | RC00145 | 18F438 | ADAPTOR | 1 |
| 17 | RC00022 | 19A071 | PLUG | 2 |
| 18 | RC00025 | 21A012 | SPRING | 1 |
| 19 | RC00102 | 22C015 | GREASE NIPPLE | 1 |
| 20 | RC00232 | 700654 | SENSOR RING SPACER | 4 |
| 21 | RC00286 | 718654 | EJECTION ANGLE END PLATE | 1 |
| 22 | RC00293 | 718686 | INTERIOR CROWN BALL RING | 1 |
| 23 | RC00294 | 718687 | EXTERIOR CROWN BALL RING | 1 |
| 24 | RC00326 | 718787 | LOWER FIXED CHUTE | 1 |
| 25 | RC00327 | 718788 | UPPER FOLDING CHUTE | 1 |
| 26 | RC00332 | 718809 | SENSOR RING | 2 |
| 27 | RC00333 | 718810 | CHUTE DIRECTION/LOCK HANDLE | 1 |
| 28 | RC00396 | 920F86 | CHAIN | 1 |

SPEARHEAD XY 150

5 IN | ROTOR



Bolt Tightening Torques

- **Item 3** – 31 Nm
- **Item 18** – 70 Nm
- **Item 1** – 18 Nm



SPEARHEAD XY 150

5 IN 1 ROTOR

| ITEM NO. | PART NO. | REF NO. | DESCRIPTION. | QTY. |
|----------|-----------|---------|-----------------------|------|
| 1 | 2770402 | 01B002 | BOLT | 8 |
| 2 | RC00061 | 01B245 | BOLT | 2 |
| 3 | RC00109 | 01D022 | BOLT | 18 |
| 4 | RC00201 | 03S032 | LOCKING SPRING WASHER | 18 |
| 5 | RC00188 | 04P754 | FLAIL LOCKING PIN | 2 |
| 6 | RC00235 | 718161 | FLAIL | 16 |
| 7 | RC00236 | 718163 | LH BLADE | 2 |
| 8 | RC00237 | 718164 | RH BLADE | 2 |
| 9 | RC00238 | 718207 | FLAIL SPACER | 8 |
| 10 | RC00239 | 718278 | BLADE | 2 |
| 11 | RC00240 | 718279 | FLAIL SHAFT | 2 |
| 12 | RC00241 | 718301 | BLADE SUPPORT | 2 |
| 13 | RC00242 | 718303 | LOCKING TAB WASHER | 12 |
| 14 | RC00245 | 718344 | BLADE BOLT WASHER | 10 |
| 15 | RC00270 | 718597 | FLAIL SUPPORT | 2 |
| 16 | RC00271 | 718599 | 5 IN 1 ROTOR | 1 |
| 17 | RC00272 | 718609 | BLADE BRACE SUPPORT | 2 |
| 18 | 05.264.44 | 990120 | BOLT | 12 |

SPEARHEAD XY 150

4 POSITION CONTROL

| ITEM NO. | PART NO. | REF NO. | DESCRIPTION. | QTY. |
|----------|-----------|---------|--------------------------------|------|
| 1 | RC00363 | 00618A | PLUMBING KIT | 3 |
| 2 | 2770402 | 01B002 | BOLT | 1 |
| 3 | 05.291.03 | 01B005 | BOLT | 2 |
| 4 | 05.291.07 | 01B011 | BOLT | 1 |
| 5 | 2770415 | 01B215 | BOLT | 3 |
| 6 | 30.068.83 | 01B242 | BOLT | 1 |
| 7 | 2770491 | 03B001 | NUT | 2 |
| 8 | 2770373 | 03D004 | NYLOCK NUT | 1 |
| 9 | 2770416 | 03D005 | NYLOCK NUT | 7 |
| 10 | 2771408 | 03R004 | FLAT WASHER | 2 |
| 11 | 2770432 | 03R023 | FLAT WASHER | 2 |
| 12 | 2770244 | 03R115 | REPAIR WASHER | 1 |
| 13 | RC00199 | 03S005 | SPRING WASHER | 4 |
| 14 | RC00201 | 03S032 | LOCKING SPRING WASHER | 3 |
| 15 | RC00203 | 03S034 | LOCKING SPRING WASHER | 4 |
| 16 | RC00012 | 11A099 | BEARING | 1 |
| 17 | RC00014 | 12A072 | FEMALE BALL JOINT | 2 |
| 18 | RC00116 | 18D136 | INDUCTIVE SENSOR | 2 |
| 19 | RC00025 | 21A012 | SPRING | 1 |
| 20 | RC00104 | 36C202 | CONTROL BAR DECAL | 1 |
| 21 | RC00265 | 718569 | CONTROL BAR MECHANISM COVER | 1 |
| 22 | RC00266 | 718570 | LOCKING LINK | 1 |
| 23 | RC00267 | 718571 | CONTROL BAR CONTROL ARM | 1 |
| 24 | RC00268 | 718574 | CONTROL BAR LOCKING HOOK | 1 |
| 25 | RC00338 | 718842 | SPACER | 1 |
| 26 | RC00369 | 902A1H | THREADED BAR | 1 |
| 27 | RC00378 | 918B15 | SHEATH | 2 |

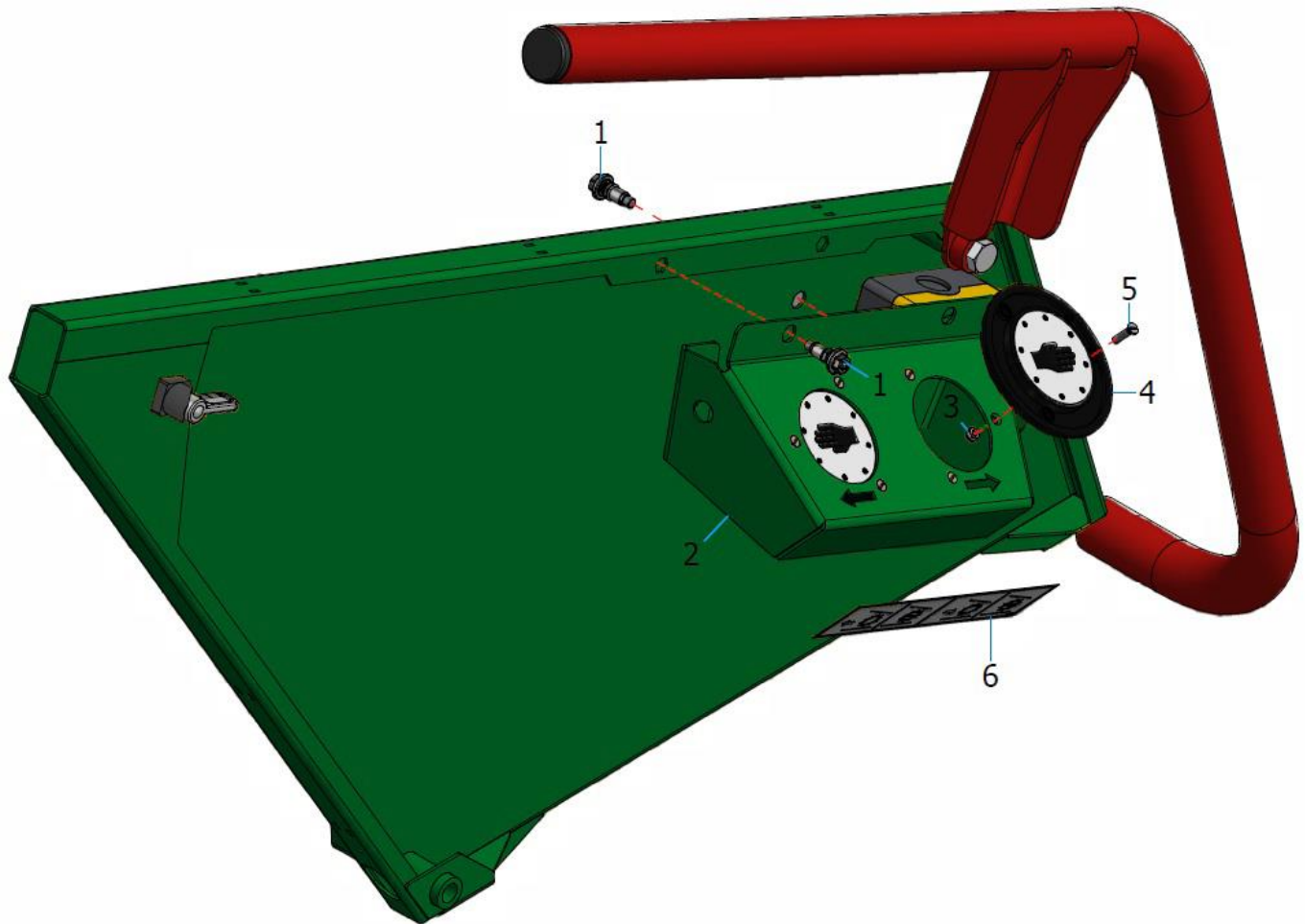
SPEARHEAD XY 150

RIGHT-HAND SIDE SENSITIVE CONTROLS

| ITEM NO. | PART NO. | REF NO. | DESCRIPTION. | QTY. |
|----------|-----------|---------|---------------------------------|------|
| 1 | RC00363 | 00618A | PLUMBING KIT | 2 |
| 2 | 2770390 | 01B003 | BOLT | 1 |
| 3 | 2770545 | 01B022 | BOLT | 1 |
| 4 | 2770415 | 01B215 | BOLT | 4 |
| 5 | RC00187 | 01P004 | FLAT CSK SCREW | 6 |
| 6 | RC00220 | 01U157 | BIND RIVET BOLT | 3 |
| 7 | 2770491 | 03B001 | NUT | 2 |
| 8 | 05.948.33 | 03D002 | NYLOCK NUT | 6 |
| 9 | 2770416 | 03D005 | NYLOCK NUT | 2 |
| 10 | 2770412 | 03D006 | NYLOCK NUT | 1 |
| 11 | RC00200 | 03S007 | FLAT WASHER | 2 |
| 12 | RC00201 | 03D032 | LOCKING SPRING WASHER | 3 |
| 13 | RC00203 | 03S034 | LOCKING SPRING WASHER | 2 |
| 14 | RC00014 | 12A072 | FEMALE BALL JOINT | 2 |
| 15 | RC00015 | 15A021 | RUBBER CUSHION | 1 |
| 16 | RC00116 | 18D136 | INDUCTIVE SENSOR | 1 |
| 17 | RC00117 | 18D201 | SENSITIVE CONTROL PUSHPAD | 2 |
| 18 | RC00144 | 18F437 | INDUCTIVE SENSOR CONNECTOR | 1 |
| 19 | RC00106 | 36C226 | SENSITIVE CONTROL DECAL | 1 |
| 20 | RC00107 | 36C227 | CONTROL BAR DECAL | 1 |
| 21 | RC00288 | 718669 | RH SENSITIVE CONTROL SUPPORT | 1 |
| 22 | RC00291 | 718684 | PLATE | 1 |
| 23 | RC00292 | 718685 | BRACKET | 1 |
| 24 | RC00369 | 902A1H | THREADED BAR | 1 |
| 25 | RC00378 | 918B15 | SHEATH | 2 |

SPEARHEAD XY 150

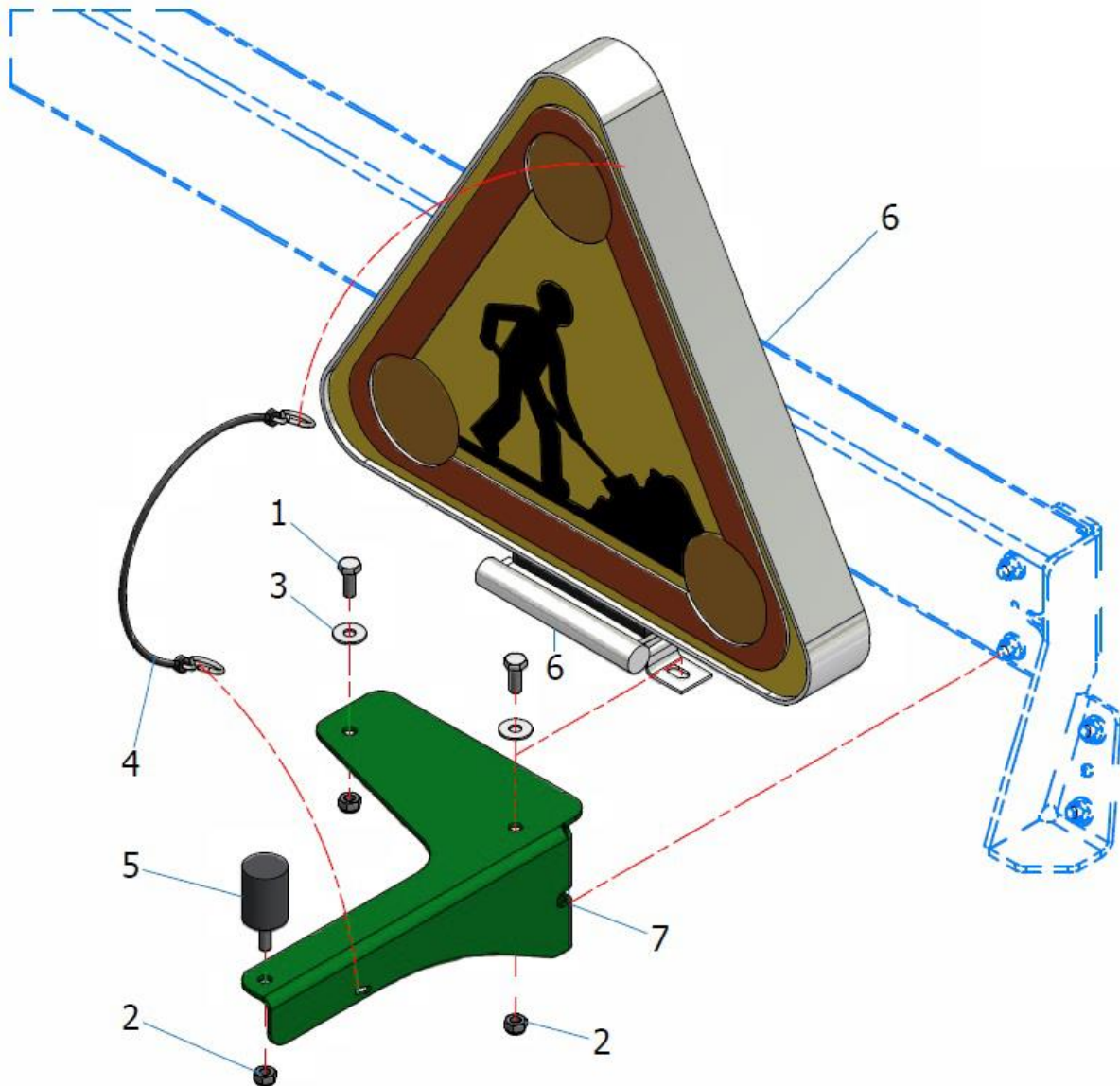
LEFT-HAND SIDE SENSITIVE CONTROLS



| ITEM NO. | PART NO. | REF NO. | DESCRIPTION. | QTY. |
|----------|-----------|---------|------------------------------|------|
| 1 | RC00220 | 01U157 | BIND RIVET BOLT | 3 |
| 2 | RC00288 | 718669 | LH SENSITIVE CONTROL SUPPORT | 1 |
| 3 | 05.948.33 | 03D002 | NYLOCK NUT | 6 |
| 4 | RC00117 | 18D201 | SENSITIVE CONTROL PUSHPAD | 2 |
| 5 | RC00187 | 01P004 | FLAT CSK SCREW | 6 |
| 6 | RC00106 | 36C226 | SENSITIVE CONTROL DECAL | 1 |

SPEARHEAD XY 150

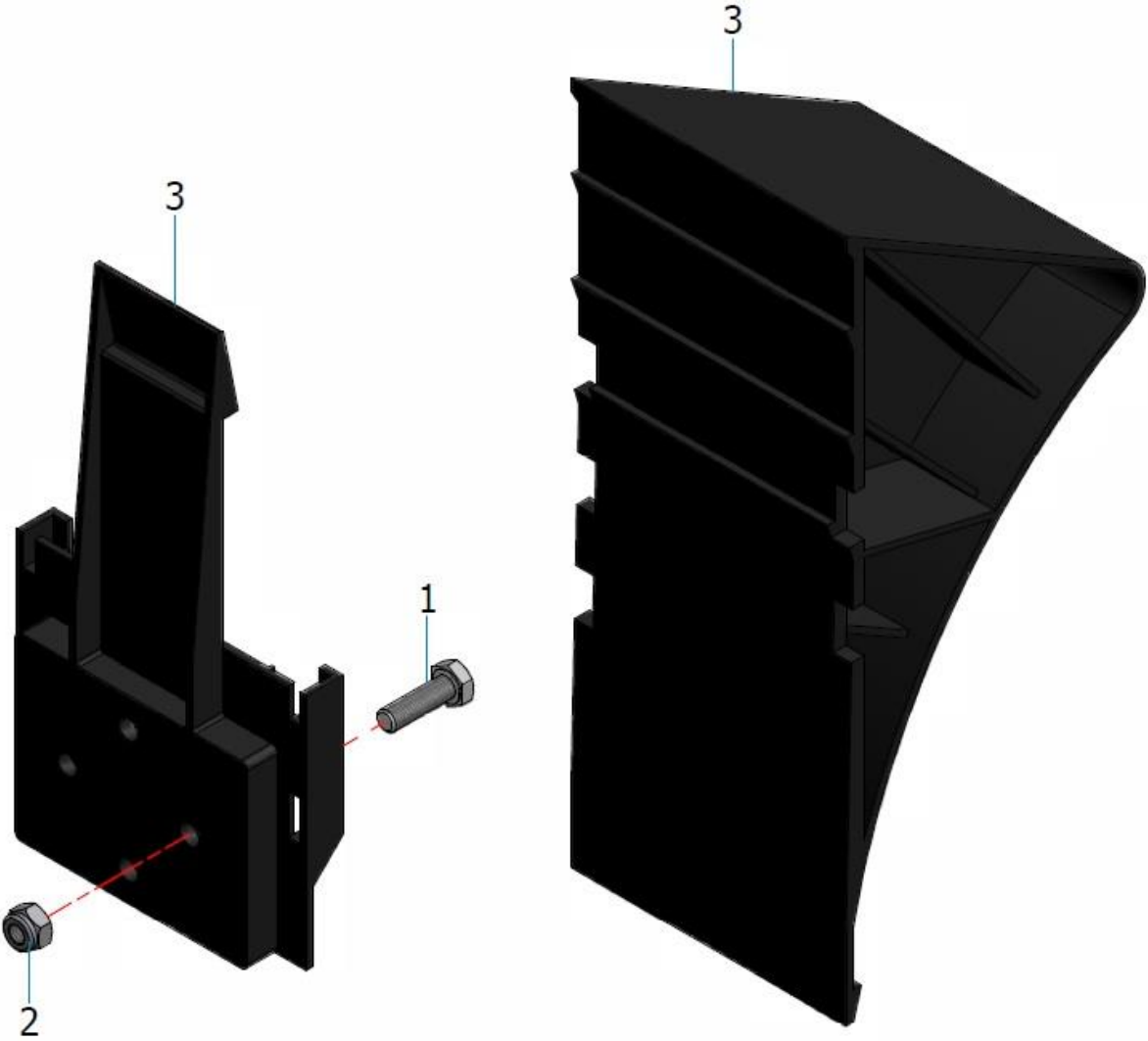
TRIFLASH WARNING TRIANGLE



| ITEM NO. | PART NO. | REF NO. | DESCRIPTION. | QTY. |
|----------|----------|---------|---------------------------|------|
| 1 | 2770402 | 01B002 | BOLT | 2 |
| 2 | 2770416 | 03D005 | NYLOCK NUT | 3 |
| 3 | 2770244 | 03R006 | FLAT WASHER | 2 |
| 4 | RC00086 | 04C006 | RUBBER TIE | 1 |
| 5 | RC00016 | 15A025 | RUBBER CUSHION | 1 |
| 6 | RC00146 | 18F519 | TRIFLASH TRIANGLE ASSY | 1 |
| 7 | RC00337 | 718829 | TRIFLASH TRIANGLE BRACKET | 1 |

SPEARHEAD XY 150

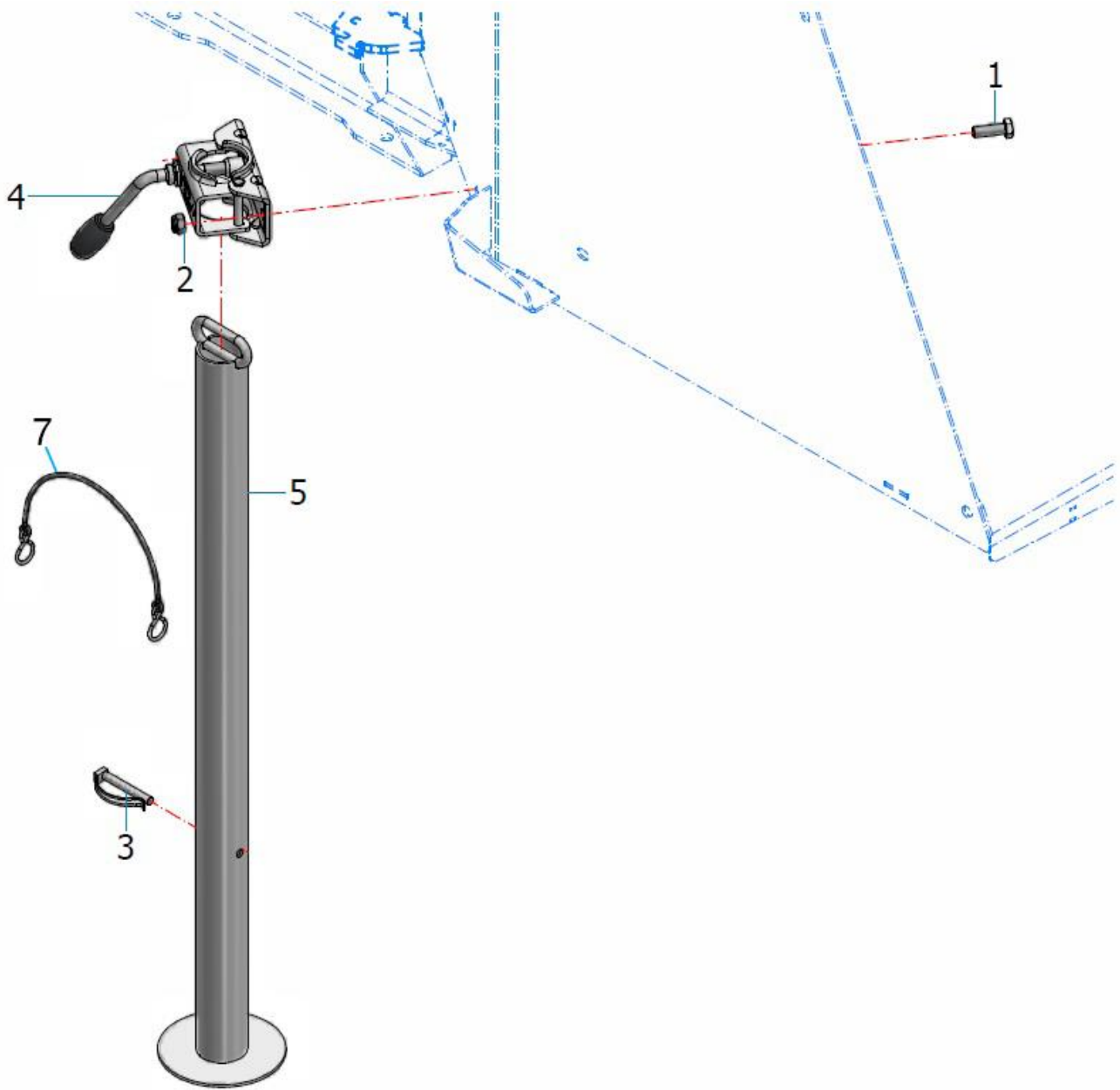
WHEEL BLOCKS



| ITEM NO. | PART NO. | REF NO. | DESCRIPTION. | QTY. |
|----------|-----------|---------|-----------------|------|
| 1 | 30.068.83 | 01B242 | BOLT | 4 |
| 2 | 2770373 | 03D004 | NYLOCK NUT | 4 |
| 3 | RC00034 | 26A432 | WHEEL BLOCK KIT | 2 |

SPEARHEAD XY 150

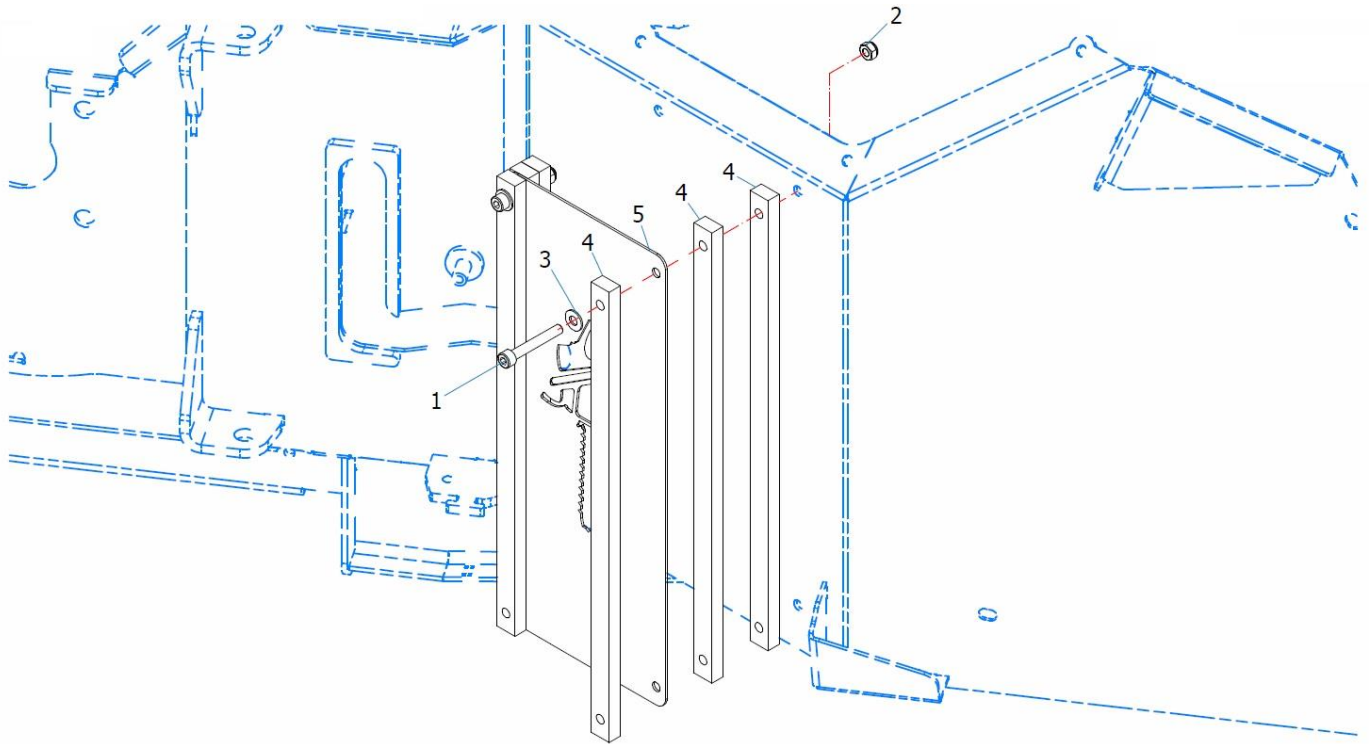
STAND



| ITEM NO. | PART NO. | REF NO. | DESCRIPTION. | QTY. |
|----------|----------|---------|--------------|------|
| 1 | 2770421 | 01B024 | BOLT | 2 |
| 2 | 2770412 | 03D006 | NYLOCK NUT | 2 |
| 3 | RC00087 | 04C010 | PIN | 1 |
| 4 | RC00033 | 26A419 | CLAMP | 1 |
| 5 | RC00285 | 718641 | STAND | 1 |
| 7 | RC00086 | 04C006 | RUBBER STRAP | 1 |

SPEARHEAD XY 150

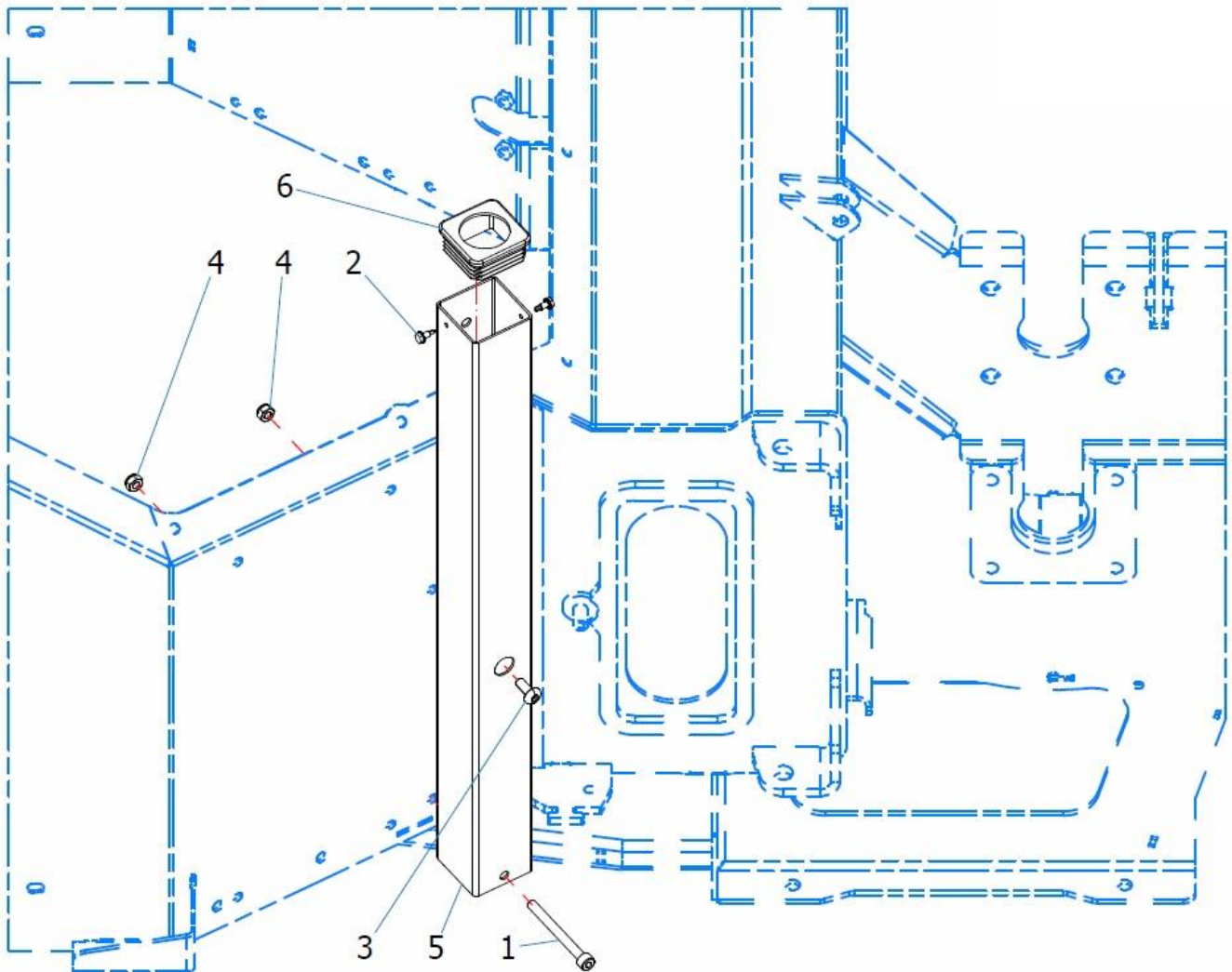
CHAIN SAW SUPPORT



| ITEM NO. | PART NO. | REF NO. | DESCRIPTION. | QTY. |
|----------|-----------|---------|-----------------------|------|
| 1 | 05.625.30 | 01E109 | SKT CAP SCREW | 4 |
| 2 | 2770416 | 03D005 | NYLOCK NUT | 4 |
| 3 | 2770432 | 03R023 | FLAT WASHER | 4 |
| 4 | RC00324 | 718760 | CHAIN SAW SUPPORT | 6 |
| 5 | RC00325 | 718761 | CHAIN SAW GUIDE SHEET | 1 |

SPEARHEAD XY 150

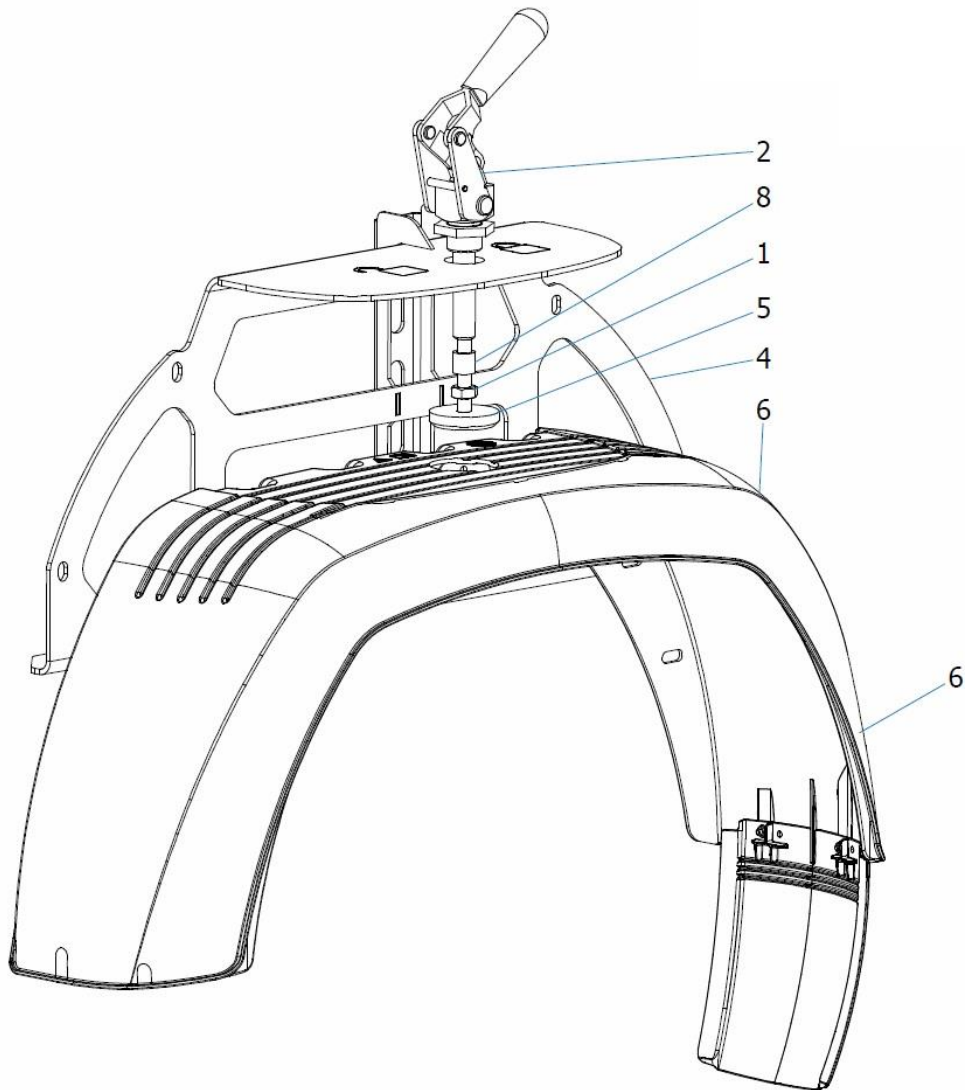
TOOL SUPPORT



| ITEM NO. | PART NO. | REF NO. | DESCRIPTION. | QTY. |
|----------|----------|---------|--------------------------|------|
| 1 | RC00135 | 01E114 | SKT CAP SCREW | 1 |
| 2 | RC00198 | 01S003 | SELF-TAPPING SCREW | 2 |
| 3 | 2770589 | 01U147 | SKT BUTTON SCREW | 1 |
| 4 | 2770416 | 03D005 | NYLOCK NUT | 2 |
| 5 | RC00336 | 718822 | TOOL SUPPORT TUBE | 1 |
| 6 | RC00373 | 919A33 | TOOL SUPPORT PLASTIC CAP | 1 |

SPEARHEAD XY 150

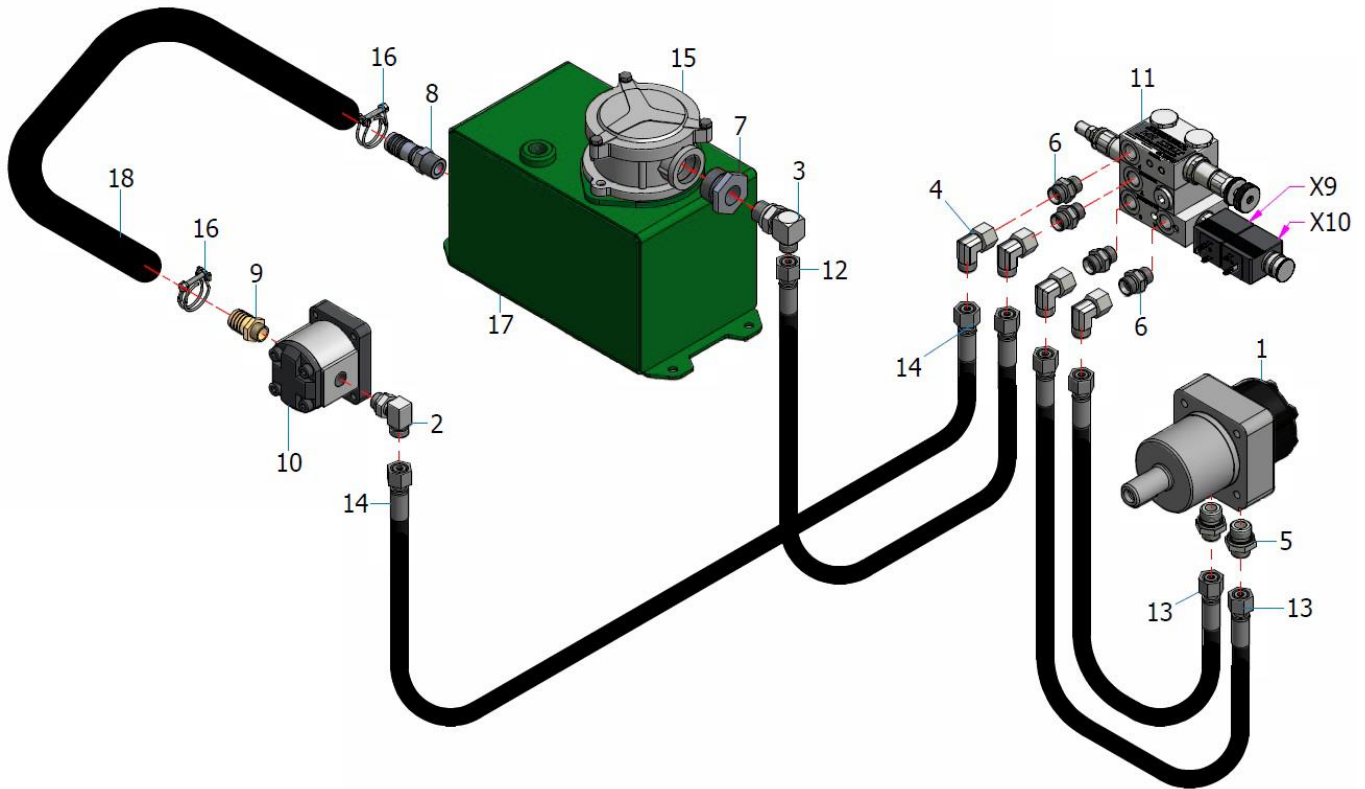
PARKING BRAKE



| ITEM NO. | PART NO. | REF NO. | DESCRIPTION. | QTY. |
|----------|-----------|---------|-----------------------------------|------|
| 1 | 05.286.02 | 03B002 | NUT | 2 |
| 2 | RC00040 | 26A553 | PUSH DOWN PARKING BRAKE | 2 |
| 3 | RC00354 | 718882 | PARKING BRAKE RH MUDGUARD SUPPORT | 1 |
| 4 | RC00355 | 718883 | PARKING BRAKE LH MUDGUARD SUPPORT | 1 |
| 5 | RC00358 | 718898 | WASHER FOR LOCKING TYRE | 2 |
| 6 | RC00398 | 947T05 | PARKING BRAKE LH MUDGUARD | 1 |
| 7 | RC00399 | 947T06 | PARKING BRAKE RH MUDGUARD | 1 |
| 8 | RC00362 | 993022 | PARKING BRAKE SHAFT | 2 |

SPEARHEAD XY 150

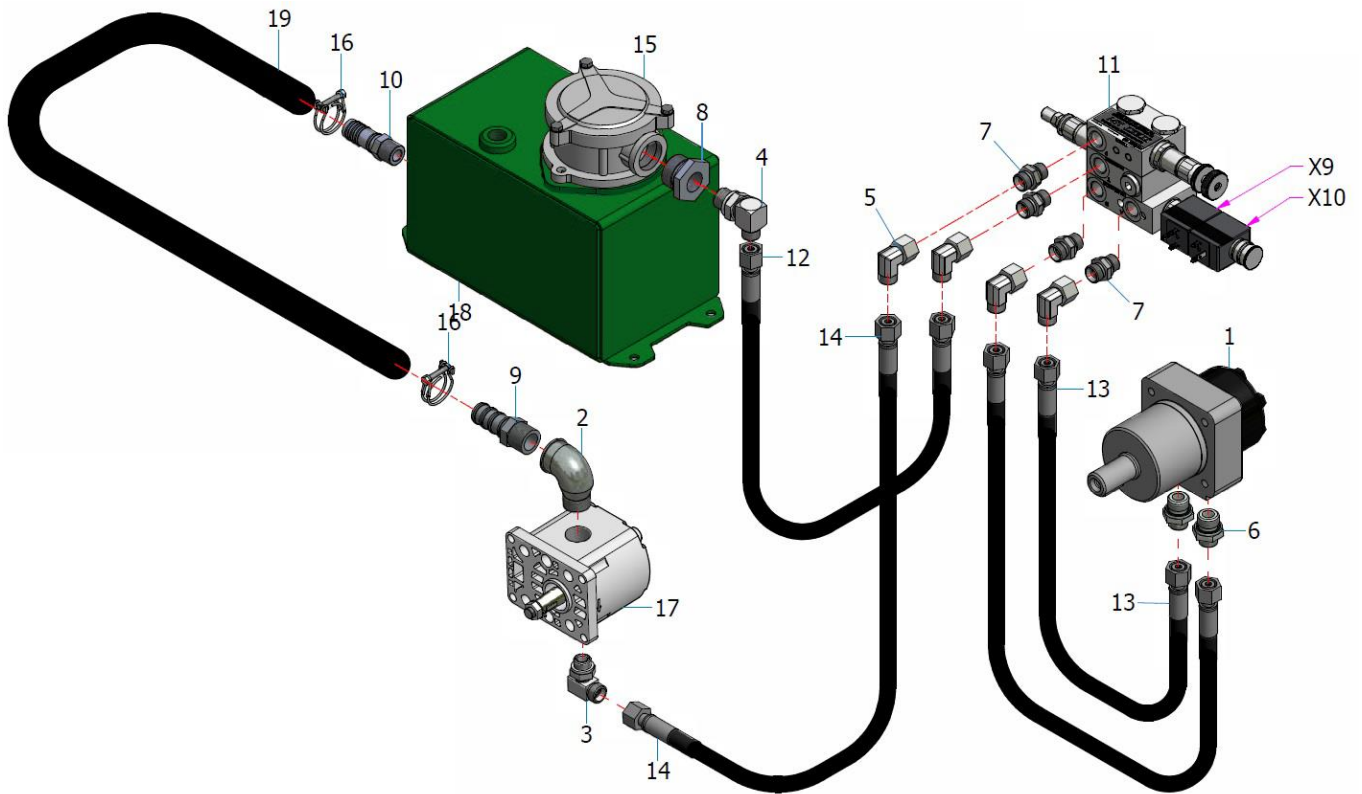
STANDARD HYDRAULIC CIRCUIT (22/34/38 hp Engines)



| ITEM NO. | PART NO. | REF NO. | DESCRIPTION. | QTY. |
|----------|----------|---------|-----------------------------|------|
| 1 | RC00377 | 021B50 | FEED ROLLER HYDRAULIC MOTOR | 1 |
| 2 | RC00007 | 05A158 | ELBOW ADAPTOR | 1 |
| 3 | RC00009 | 05A186 | ELBOW ADAPTOR | 1 |
| 4 | RC00063 | 05B004 | ELBOW ADAPTOR | 4 |
| 5 | RC00089 | 05C373 | ADAPTOR | 2 |
| 6 | RC00091 | 05C405 | ADAPTOR | 4 |
| 7 | RC00157 | 05H065 | HYDRAULIC TANK ADAPTOR | 1 |
| 8 | RC00169 | 05J007 | TANK TO HOSE ADAPTOR | 1 |
| 9 | RC00170 | 05J010 | HOSE TO PUMP ADAPTOR | 1 |
| 10 | RC00382 | 066B18 | HYDRAULIC PUMP | 1 |
| 11 | RC00206 | 09T016 | FEED ROLLER ADJUSTER VALVE | 1 |
| 12 | RC00096 | 13C017 | HOSE | 1 |
| 13 | RC00097 | 13C018 | HOSE | 2 |
| 14 | RC00098 | 13C023 | HOSE | 1 |
| 15 | RC00020 | 16A009 | HYDRAULIC TANK FILTER | 1 |
| 16 | RC00122 | 29D037 | DOUBLE WIRE HOSE CLIP | 2 |
| 17 | RC00250 | 718511 | HYDRAULIC TANK | 1 |
| 18 | RC00370 | 913A38 | HOSE | 1 |

SPEARHEAD XY 150

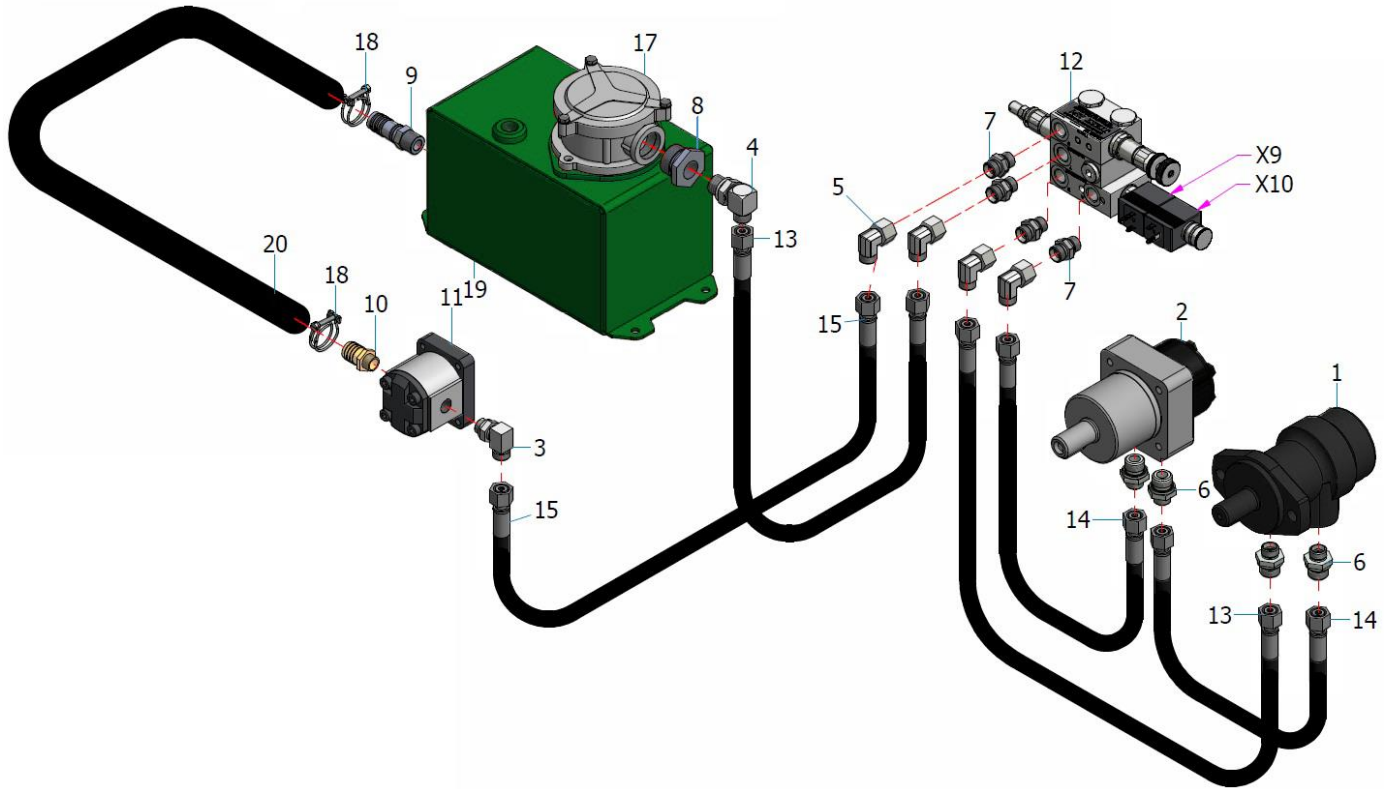
STANDARD HYDRAULIC CIRCUIT (27/35 hp Engines)



| ITEM NO. | PART NO. | REF NO. | DESCRIPTION. | QTY. |
|----------|----------|---------|-----------------------------|------|
| 1 | RC00377 | 021B50 | FEED ROLLER HYDRAULIC MOTOR | 1 |
| 2 | RC00002 | 05A082 | HYDRAULIC PUMP ELBOW | 1 |
| 3 | RC00007 | 05A158 | ELBOW ADAPTOR | 1 |
| 4 | RC00009 | 05A186 | ELBOW ADAPTOR | 1 |
| 5 | RC00063 | 05B004 | ELBOW ADAPTOR | 4 |
| 6 | RC00089 | 05C373 | ADAPTOR | 2 |
| 7 | RC00091 | 05C405 | ADAPTOR | 4 |
| 8 | RC00157 | 05H065 | ADAPTOR | 1 |
| 9 | RC00168 | 05J002 | HOSE TO PUMP ADAPTOR | 1 |
| 10 | RC00169 | 05J007 | TANK TO HOSE ADAPTOR | 1 |
| 11 | RC00206 | 09T016 | FEED ROLLER ADJUSTER VALVE | 1 |
| 12 | RC00096 | 13C017 | HOSE | 1 |
| 13 | RC00097 | 13C018 | HOSE | 2 |
| 14 | RC00098 | 13C023 | HOSE | 1 |
| 15 | RC00020 | 16A009 | HYDRAULIC TANK FILTER | 1 |
| 16 | RC00122 | 29D037 | DOUBLE WIRE HOSE CLIP | 2 |
| 17 | RC00178 | 41K025 | HYDRAULIC PUMP | 1 |
| 18 | RC00250 | 718511 | HYDRAULIC TANK | 1 |
| 19 | RC00371 | 913A39 | HOSE | 1 |

SPEARHEAD XY 150

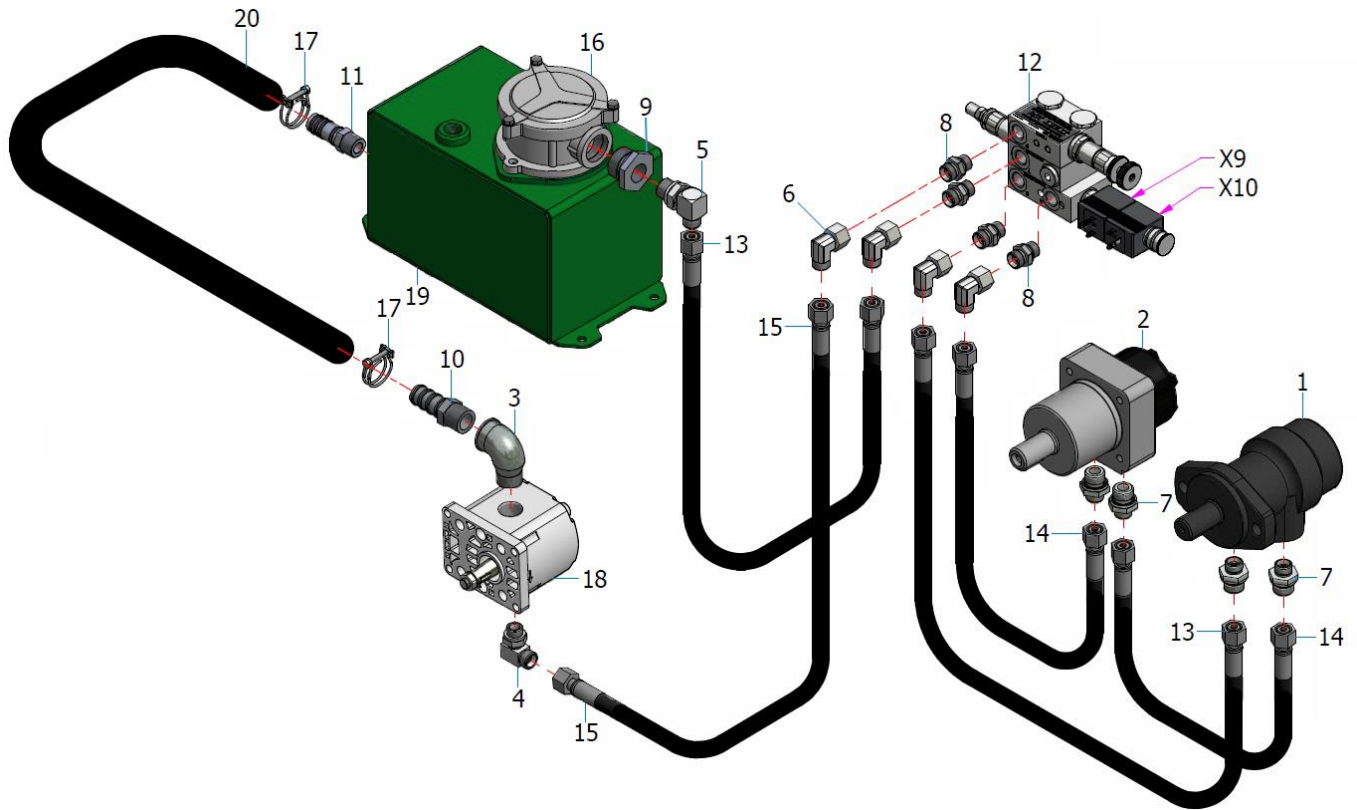
HYDRAULIC CIRCUIT WITH FEED BELT (22/34/38 hp Engines)



| ITEM NO. | PART NO. | REF NO. | DESCRIPTION. | QTY. |
|----------|----------|---------|-----------------------------|------|
| 1 | RC00364 | 021A96 | FEED BELT HYDRAULIC MOTOR | 1 |
| 2 | RC00377 | 021B50 | FEED ROLLER HYDRAULIC MOTOR | 1 |
| 3 | RC00007 | 05A158 | ELBOW ADAPTOR | 1 |
| 4 | RC00009 | 05A186 | ELBOW ADAPTOR | 1 |
| 5 | RC00063 | 05B004 | ELBOW ADAPTOR | 4 |
| 6 | RC00089 | 05C373 | ADAPTOR | 4 |
| 7 | RC00091 | 05C405 | ADAPTOR | 4 |
| 8 | RC00157 | 05H065 | ADAPTOR | 1 |
| 9 | RC00169 | 05J007 | TANK TO HOSE ADAPTOR | 1 |
| 10 | RC00170 | 05J010 | HOSE TO PUMP ADAPTOR | 1 |
| 11 | RC00382 | 066B18 | HYDRAULIC PUMP | 1 |
| 12 | RC00206 | 09T016 | FEED ROLLER ADJUSTER VALVE | 1 |
| 13 | RC00096 | 13C017 | HOSE | 2 |
| 14 | RC00097 | 13C018 | HOSE | 2 |
| 15 | RC00098 | 13C023 | HOSE | 1 |
| 17 | RC00020 | 16A009 | HYDRAULIC TANK FILTER | 1 |
| 18 | RC00122 | 29D037 | DOUBLE WIRE HOSE CLIP | 2 |
| 19 | RC00250 | 718511 | HYDRAULIC TANK | 1 |
| 20 | RC00370 | 913A38 | HOSE | 1 |

SPEARHEAD XY 150

HYDRAULIC CIRCUIT WITH FEED BELT (27/35 hp Engines)

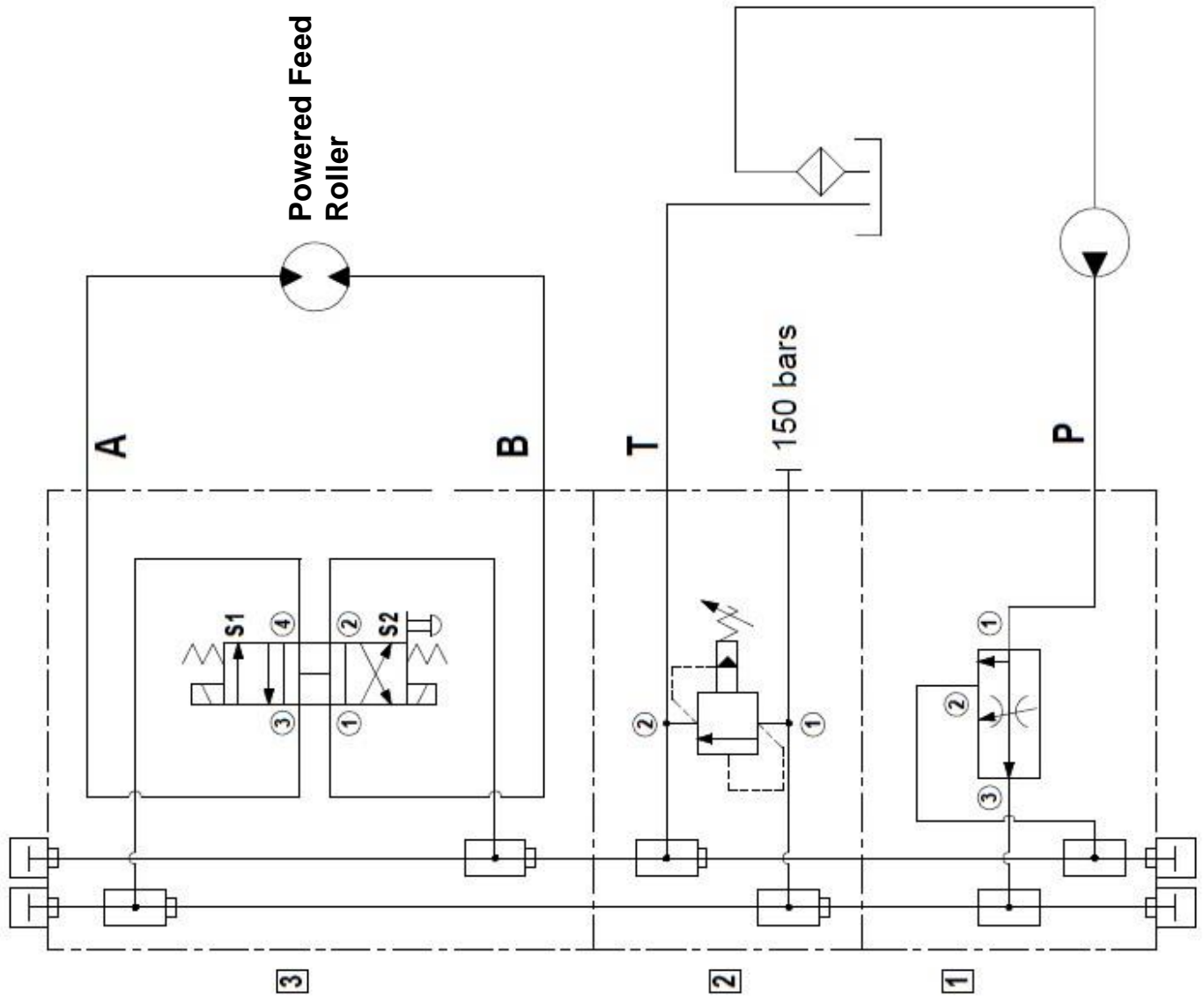


| ITEM NO. | PART NO. | REF NO. | DESCRIPTION. | QTY. |
|----------|----------|---------|-----------------------------|------|
| 1 | RC00364 | 021A96 | FEED BELT HYDRAULIC MOTOR | 1 |
| 2 | RC00377 | 021B50 | FEED ROLLER HYDRAULIC MOTOR | 1 |
| 3 | RC00002 | 05A082 | HYDRAULIC PUMP ELBOW | 1 |
| 4 | RC00007 | 05A158 | ELBOW ADAPTOR | 1 |
| 5 | RC00009 | 05A186 | ELBOW ADAPTOR | 1 |
| 6 | RC00063 | 05B004 | ELBOW ADAPTOR | 4 |
| 7 | RC00089 | 05C373 | ADAPTOR | 4 |
| 8 | RC00091 | 05C405 | ADAPTOR | 4 |
| 9 | RC00157 | 05H065 | ADAPTOR | 1 |
| 10 | RC00168 | 05J002 | HOSE TO PUMP ADAPTOR | 1 |
| 11 | RC00169 | 05J007 | TANK TO HOSE ADAPTOR | 1 |
| 12 | RC00206 | 09T016 | FEED ROLLER ADJUSTER VALVE | 1 |
| 13 | RC00096 | 13C017 | HOSE | 2 |
| 14 | RC00097 | 13C018 | HOSE | 2 |
| 15 | RC00098 | 13C023 | HOSE | 1 |
| 16 | RC00120 | 16A009 | HYDRAULIC TANK FILTER | 1 |
| 17 | RC00122 | 29D037 | DOUBLE WIRE HOSE CLIP | 2 |
| 18 | RC00178 | 41K025 | HYDRAULIC PUMP | 1 |
| 19 | RC00250 | 718511 | HYDRAULIC TANK | 1 |
| 20 | RC00371 | 913A39 | HOSE | 1 |

SPEARHEAD XY 150

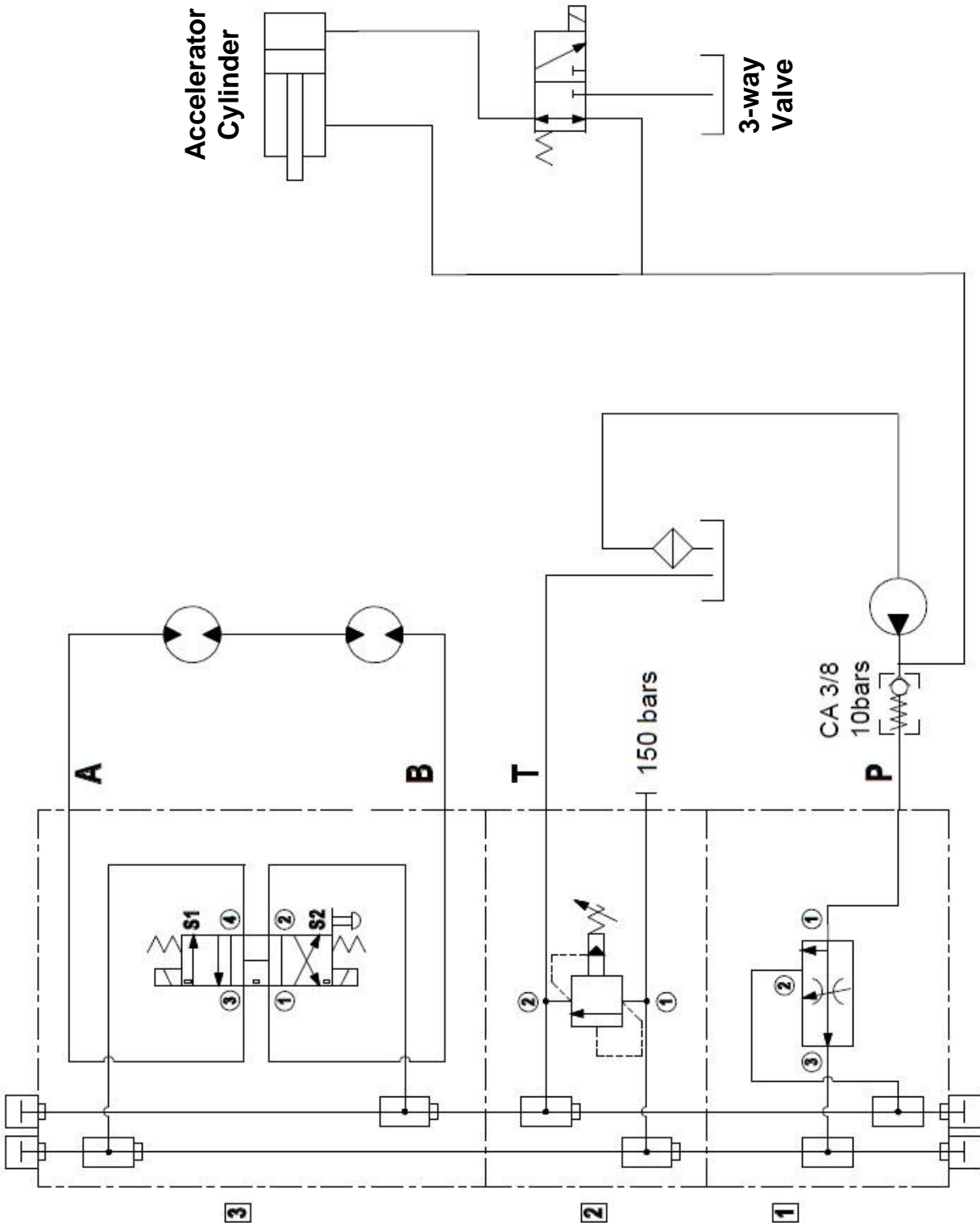
HYDRAULIC SCHEMATICS

Standard Hydraulic Diagram



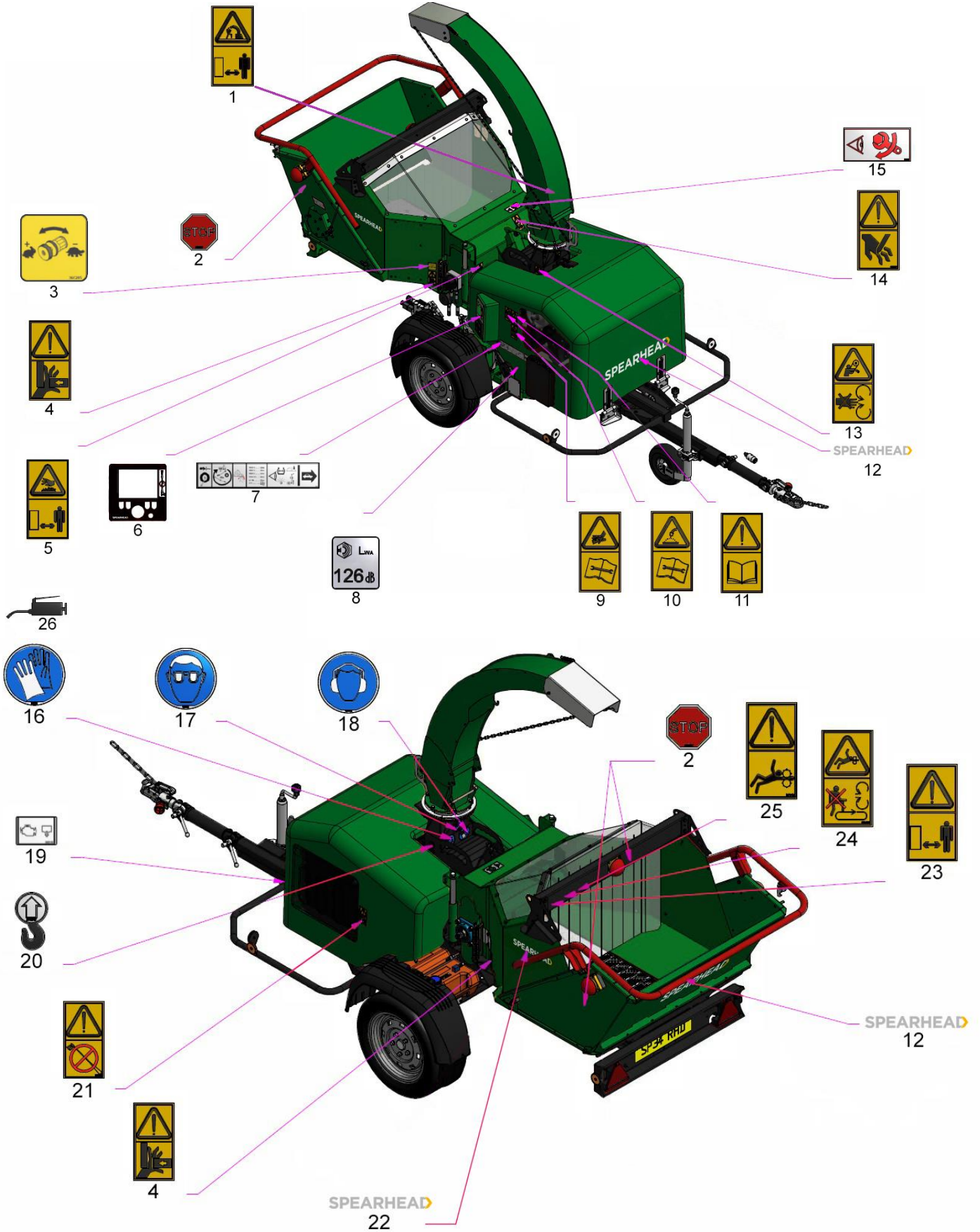
SPEARHEAD XY 150

Automatic Accelerator Diagram



SPEARHEAD XY 150

MARKETING & SAFETY DECALS



SPEARHEAD XY 150

MARKETING & SAFETY DECALS

| ITEM NO. | PART NO. | REF NO. | DESCRIPTION. | QTY. |
|----------|-------------------|---------|-----------------------------|------|
| 1 | RC00050 | 36A034 | EJECTION CHUTE DECAL | 1 |
| 2 | RC00076 | 36B087 | STOP DECAL | 2 |
| 3 | RC00105 | 36C205 | FEED ROLLER SPEED DECAL | 1 |
| 4 | RC00043 | 36A017 | PINCH POINT DECAL | 2 |
| 5 | RC00048 | 36A025 | HOT SURFACE DECAL | 1 |
| 6 | CONTACT SPEARHEAD | | SPEARHEAD NOSTRESS DECAL | 1 |
| 7 | RC00075 | 36B077 | ROUTINE MAINTENANCE DECAL | 1 |
| 8 | RC00081 | 36B187 | NOISE TEST DECAL | 1 |
| 9 | RC00046 | 36A020 | HYDRAULIC HOSE DANGER DECAL | 1 |
| 10 | RC00049 | 36A026 | SPRAY DECAL | 1 |
| 11 | RC00047 | 36A021 | WARNING READ MANUAL DECAL | 1 |
| 12 | 8771053 | N/A | SPEARHEAD LARGE DECAL | 2 |
| 13 | RC00045 | 36A019 | BELT ENTANGLEMENT DECAL | 1 |
| 14 | RC00055 | 36A039 | BELT ENTANGLEMENT DECAL | 1 |
| 15 | RC00073 | 36B004 | KEEP BOLTS TIGHT DECAL | 1 |
| 16 | RC00054 | 36A038 | WEAR GLOVES DECAL | 1 |
| 17 | RC00053 | 36A037 | WEAR GOGGLES DECAL | 1 |
| 18 | RC00052 | 36A036 | WEAR EAR PROTECTION DECAL | 1 |
| 19 | RC00077 | 36B150 | ENGINE OIL DRAIN DECAL | 1 |
| 20 | RC00074 | 36B007 | LIFTING POINT DECAL | 1 |
| 21 | RC00051 | 36A035 | NO PRESSURE WASHING DECAL | 1 |
| 22 | 8771051 | N/A | SPEARHEAD SMALL DECAL | 2 |
| 23 | RC00044 | 36A018 | KEEP DISTANCE DECAL | 1 |
| 24 | RC00057 | 36A041 | FEED BELT DECAL | 1 |
| 25 | RC00056 | 36A040 | FEED ROLLER DECAL | 1 |
| 26 | RC00072 | 36B001 | GREASE POINT DECAL | |

Spearhead Machinery
Green View,
Salford Priors,
Evesham,
Worcestershire,
WR11 8SW

Tel: 01789 491860

Fax: 01789 778683

www.spearheadmachinery.com

enquiries@spearheadmachinery.com