

# Spearhead

## Trident 6000 Flail Mower



8999094  
Edition I.O – May 2015

## PARTS MANUAL

# Spearhead Trident 6000

---

## Contents

Ordering Your Part's	3
S180015.130 – Main Frame Assy - Mounted	4
S180015.131 – Rear Linkage Assy	6
S180015.132 – Trident 6000 LH Wing Arm Assy	7
S180015.133 – Trident 6000 RH Wing Arm Assy	9
5770028 – Non-disengage Gearbox	11
5770032 – Disengage Gearbox	12
S180015.134 – Trident 6000 Centre Flail Body Assy	13
5770010 – Gearbox	15
S180015.135 – Trident 6000 LH Flail Body Assy	16
S180015.136 – Trident 6000 RH Flail Body Assy	18
S180015.137 – Trident/QS Headstock Assy	20
S180015.138 – Trident 6000 Driveline	21
5770565 – Trident Input Shaft - Mounted	22
5790650 – Trident Input Shaft - Trailed	24
5770564 – Trident 6000 Wing Shaft	26
5770526 – Rear Shaft	27
5770531 – Q21S Cross Shaft	28
S180015.139 – Hyd Schedule - Mounted	29
3580656 – Linkage Ram	30
3580657 – Wing Ram	30
S180015.140 – Q21S LH Flail Rotor Assy – Twisted	31
S180015.142 – Q21S RH Flail Rotor Assy – Twisted	31
S180015.141 – Q21S Rear Roller Assy	33
Option – Cable Control Valve Assy	34
Option – Cable Lever Assy	36
S180015.157 – Decal Schedule	38

# Spearhead Trident 6000

---

## Ordering Your Part's

When ordering parts please refer to your parts list to help your dealer with your order.

Part number and quantity

Description

Machine model number

Serial number of the machine

Delivery instructions (e.g. next day).

Delivery is normally via carrier direct to your dealer. Please check with your dealer for stock availability and arrangement of dispatch. Ensure you or your dealer has sufficient cover for parts requirement outside factory hours.

When ordering your seal kits please quote both codes stamped on the base of the cylinder.

## Important Note

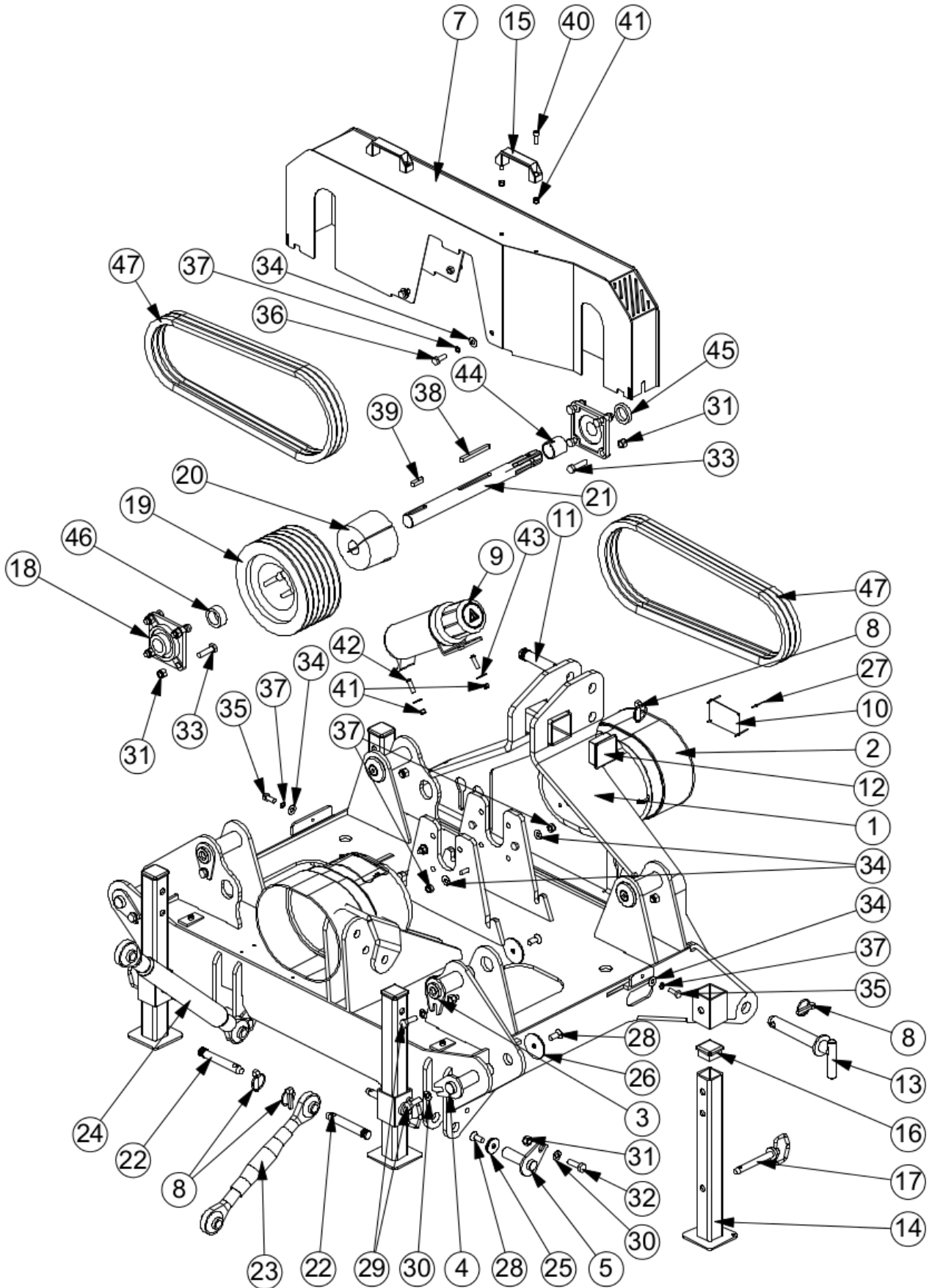
The information contained in this manual is correct at the time of publication. However, in the course of constant development, changes in specification are inevitable. Should you find the information given in this book different to the machine it relates to, please contact the "After Sales Department" for advice.

### Key:

(LH) = Left hand  
(RH) = *Right hand*

# Spearhead Trident 6000

## S180015.130 – MAIN FRAME ASSY - MOUNTED



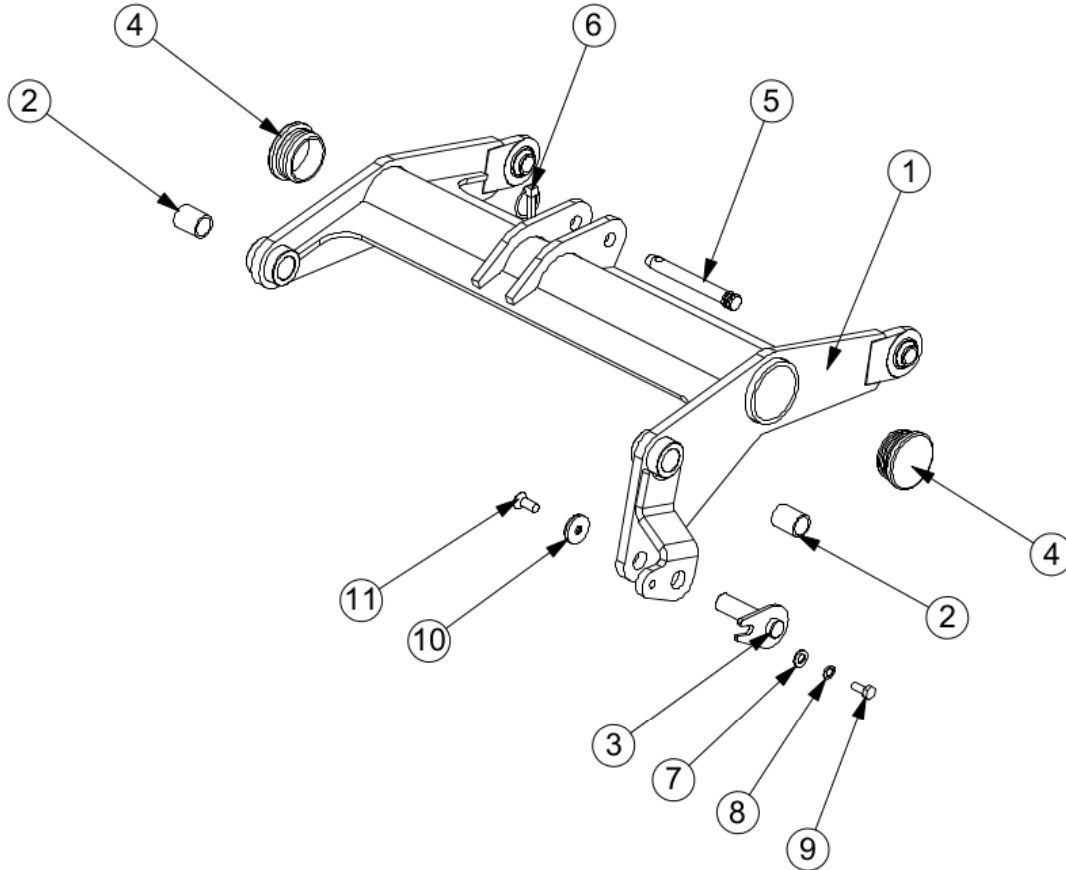
# Spearhead Trident 6000

## S180015.130 – MAIN FRAME ASSY – MOUNTED

ITEM NO.	PART NO.	DESCRIPTION.	QTY.
1	181592	MAIN FRAME - MOUNTED	1
2	5770106	CONE WITH WINDOW	2
3	1777760	PEAR PIN	4
4	1777764	PEAR PIN	2
5	1777226	PEAR PIN	2
6	1777761	PEAR PIN	2
7	1771542	MAIN DRIVE GUARD	1
8	00.372.01	LYNCH PIN	5
9	46505.01	DOCUMENT HOLDER	1
10	8770330	SERIAL PLATE	1
11	6310203	TOP LINK PIN	1
12	45210.01	PLASTIC CAP - SQUARE	2
13	47041.01	LOWER LINK PIN	2
14	1777870	LEG STAND	4
15	8777513	PLASTIC HANDLE	2
16	8777518	PLASTIC CAP - SQUARE	4
17	6310220	PIN WITH HANDLE	4
18	4770860EC	BEARING	2
19	4770909	PULLEY	1
20	4770910	TAPER LOCK	1
21	5770047	THROUGH SHAFT	1
22	6310202	TOP LINK PIN	2
23	6310175	TOP LINK - SHORT	1
24	6310177	TOP LINK	1
25	1777209	RETAINING WASHER	3
26	1777208	RETAINING WASHER	6
27	7103230	POP RIVET	4
28	2770506	SKT CSK SCREW	9
29	2770535	SET SCREW	6
30	2770436	FLAT WASHER	9
31	2770417	NYLOCK NUT	15
32	2770458	SET SCREW	2
33	2770397	BOLT	9
34	2770437	REPAIR WASHER	10
35	2770407	SET SCREW	2
36	2770421	SET SCREW	4
37	2770469	SPRING WASHER	6
38	4772235	WOODRUFF KEY	1
39	4772229	WOODRUFF KEY	1
40	2770612	SKT CAP SCREW	4
41	2770416	NYLOCK NUT	6
42	2770368	SKT BUTTON SCREW	2
43	2770244	REPAIR WASHER	2
44	-	SPACER - CENTRE PULLEY	1
45	1800091	SPACER - FRONT BEARING	1
46	1800090	SPACER - REAR BEARING	1
47	4770843	BELT	6

# Spearhead Trident 6000

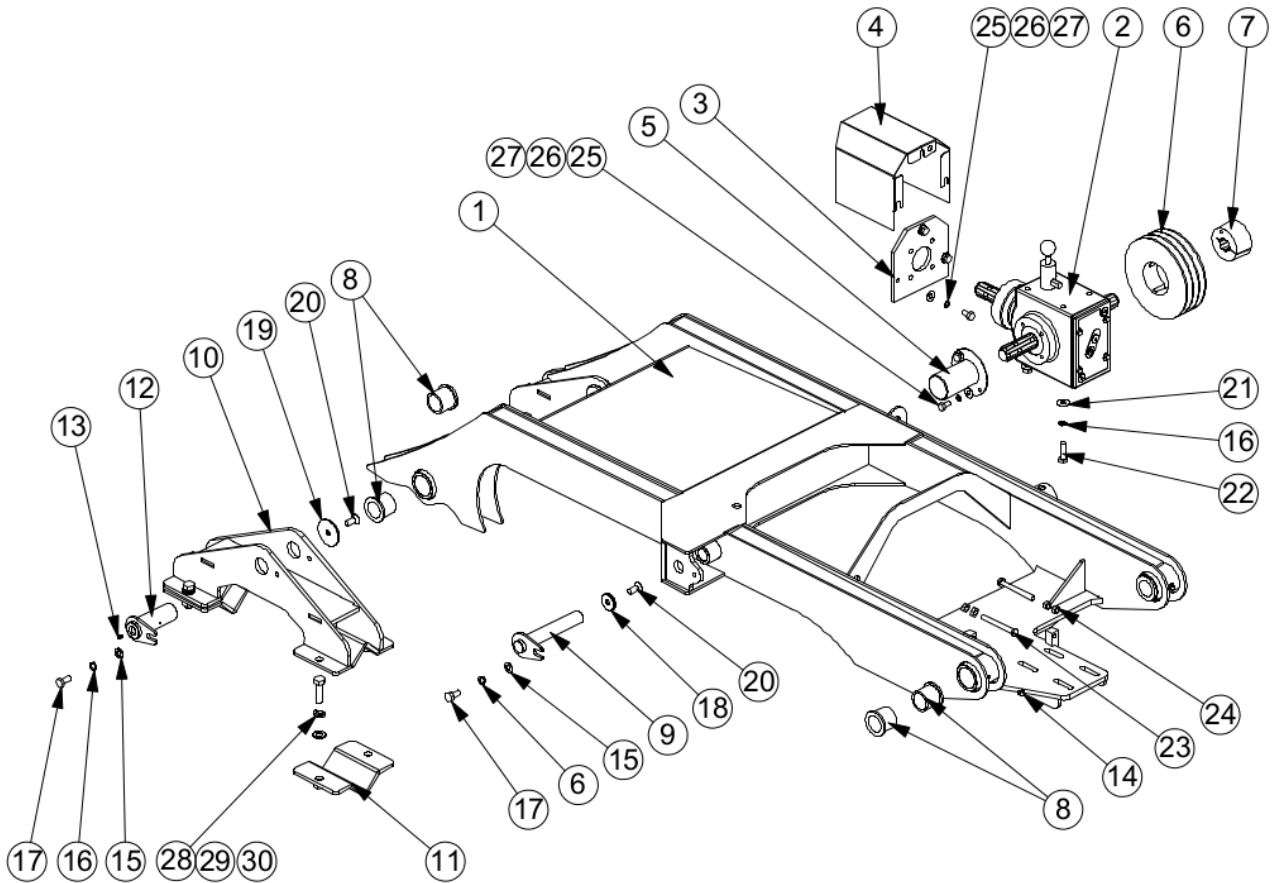
## S180015.I31 – REAR LINKAGE ASSY



ITEM NO.	PART NO.	DESCRIPTION.	QTY.
1	1771544	REAR LINKAGE	1
2	4600124	BUSH	2
3	1778036	PEAR PIN	1
4	8777512	PLASTIC CAP - ROUND	2
5	6310202A	TOP LINK PIN	1
6	00.372.01	LYNCH PIN	1
7	2770436	FLAT WASHER	1
8	2770442	SPRING WASHER	1
9	2770407	SET SCREW	1
10	1777209	RETAINING WASHER	1
11	2770506	SKT CSK SCREW	1

# Spearhead Trident 6000

## S180015.132 – TRIDENT 6000 - LH WING ARM ASSY



# Spearhead Trident 6000

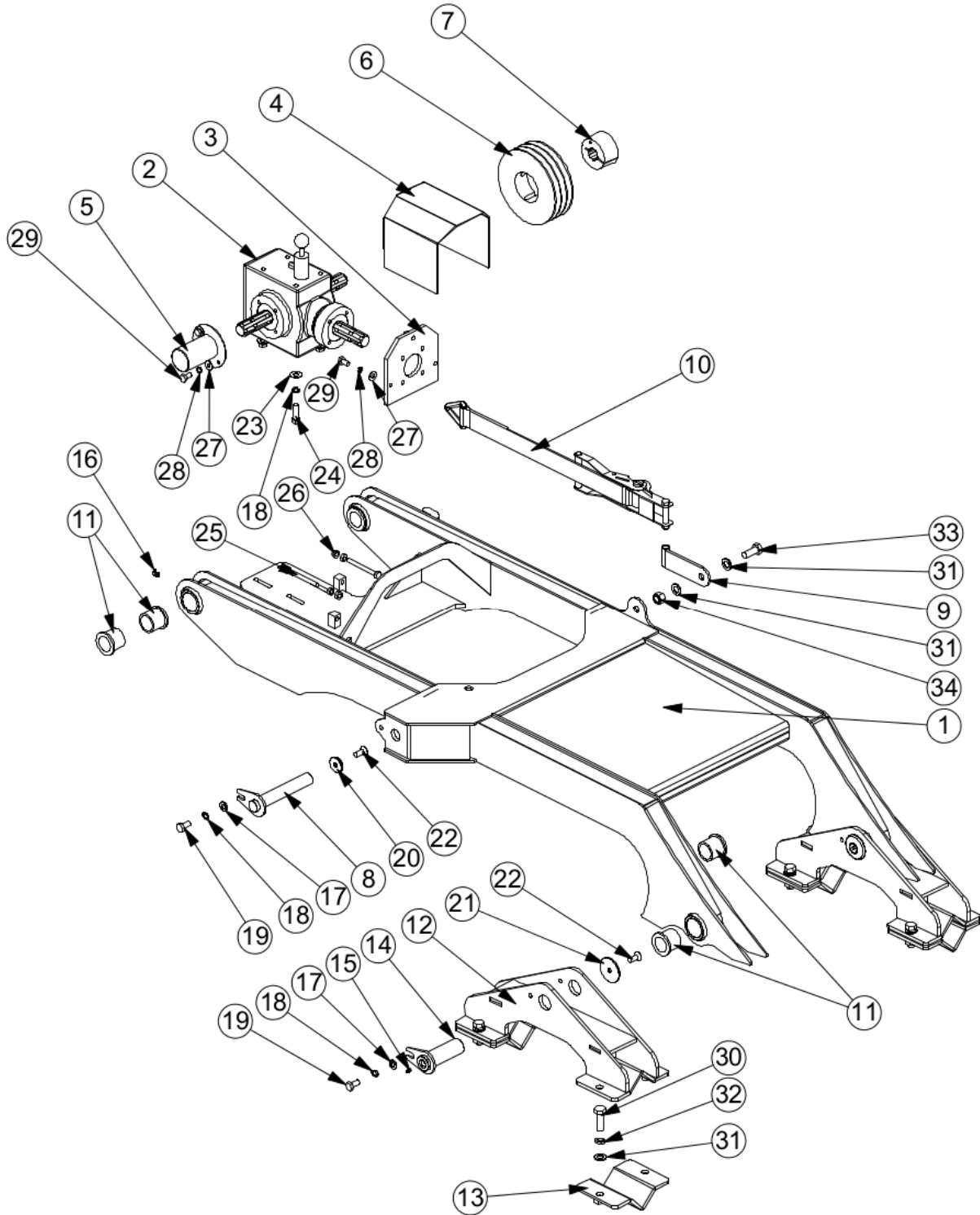
## S180015.132 – TRIDENT 6000 - LH WING ARM ASSY

ITEM NO.	PART NO.	DESCRIPTION.	QTY.
1	181593	WING ARM - LH	1
2	5770032	GEARBOX	1
3	1771558	TENSIONING PLATE	1
4	1771574	PTO GUARD COVER	1
5	1777602	SHAFT COVER	1
6	4770829	PULLEY	1
7	4770895	TAPERLOCK	1
8	4600127-A	BUSH	8
9	1777483	PEAR PIN	1
10	1771552A	MOUNTING BRACKET	2
11	1771554A	CLAMP BRACKET	4
12	1777760	PEAR PIN	2
13	2770467	STRAIGHT GREASE NIPPLE	2
14	2770497	90 DEG GREASE NIPPLE	2
15	2770436	FLAT WASHER	3
16	2770442	SPRING WASHER	7
17	2770484	SET SCREW	3
18	1777209	RETAINING WASHER	1
19	1777208	RETAINING WASHER	2
20	2770506	SKT CSK SCREW	3
21	2770246	REPAIR WASHER	4
22	2770458	SET SCREW	4
23	2770489	SET SCREW	2
24	2770438	FULL NUT	4
25	2770437	REPAIR WASHER	5
26	2770469	SPRING WASHER	5
27	2770418	SET SCREW	5
28	2770425	BOLT	8
29	2770454	FLAT WASHER	8
30	2770456	SPRING WASHER	8



# Spearhead Trident 6000

## SI80015.133 – TRIDENT 6000 - RH WING ARM ASSY



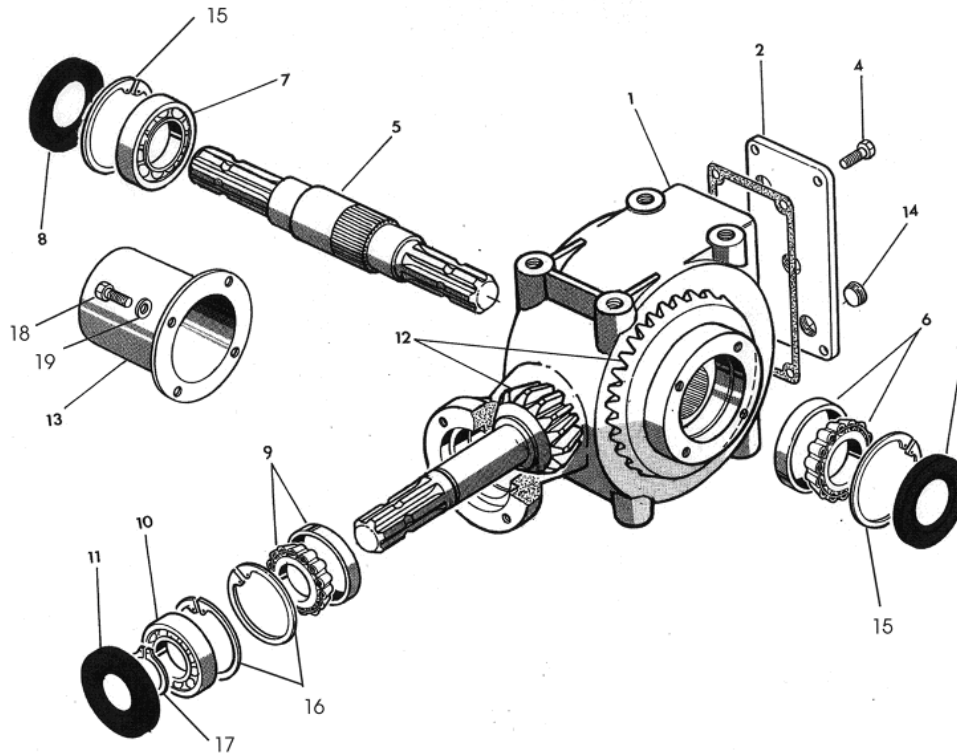
# Spearhead Trident 6000

## S180015.I33 – TRIDENT 6000 - RH WING ARM ASSY

ITEM NO.	PART NO.	DESCRIPTION.	QTY.
1	181594	WING ARM - RH	1
2	5770032	GEARBOX	1
3	1771558	TENSIONING PLATE	1
4	1771574	PTO GUARD COVER	1
5	1777602	SHAFT COVER	1
6	4770829	PULLEY	1
7	4770895	TAPERLOCK	1
8	1777483	PEAR PIN	1
9	1771551	RATCHET PIVOT BRACKET	1
10	6310225	RATCHET STARP	1
11	4600127-A	BUSH	8
12	1771552A	MOUNTING BRACKET	2
13	1771554A	CLAMP BRACKET	4
14	1777760	PEAR PIN	2
15	2770467	STRAIGHT GREASE NIPPLE	2
16	2770497	90 DEG GREASE NIPPLE	2
17	2770436	FLAT WASHER	3
18	2770442	SPRING WASHER	7
19	2770484	SET SCREW	3
20	1777209	RETAINING WASHER	1
21	1777208	RETAINING WASHER	2
22	2770506	SKT CSK SCREW	3
23	2770246	REPAIR WASHER	4
24	2770458	SET SCREW	4
25	2770489	SET SCREW	2
26	2770438	FULL NUT	4
27	2770437	REPAIR WASHER	5
28	2770469	SPRING WASHER	5
29	2770418	SET SCREW	5
30	2770425	BOLT	8
31	2770454	FLAT WASHER	10
32	2770456	SPRING WASHER	8
33	2770472	BOLT	1
34	2770447	NYLOCK NUT	1

# Spearhead Trident 6000

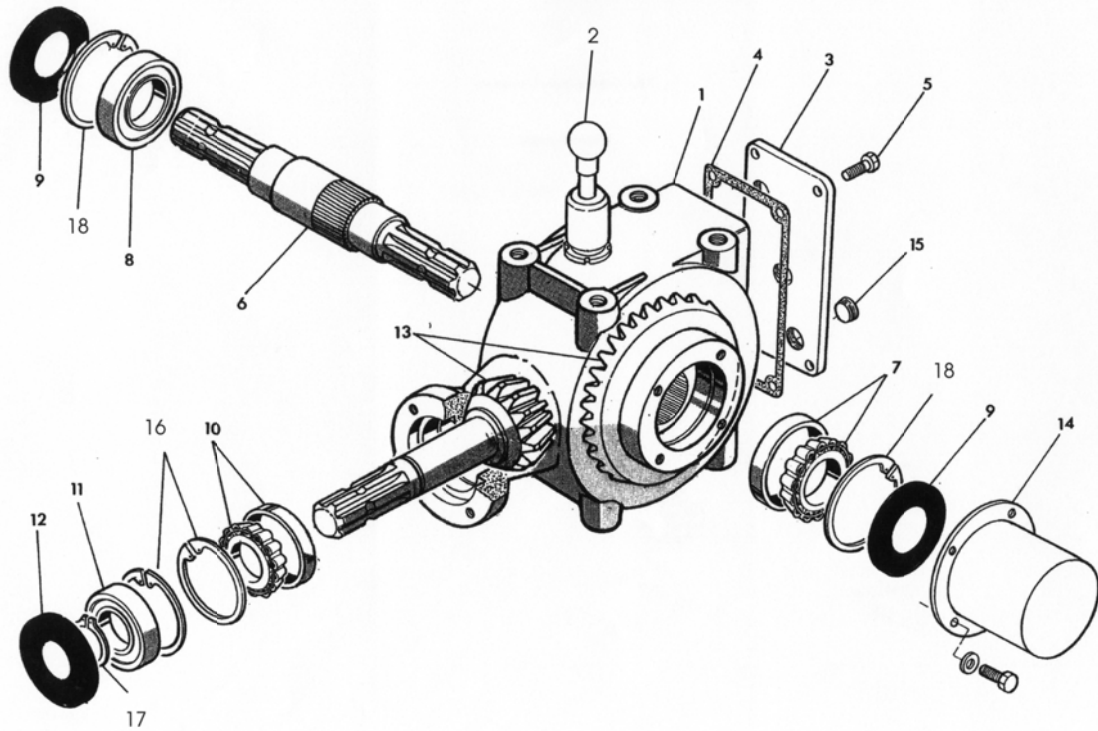
## 5770028 – NON-DISENGAGE GEARBOX



ITEM NO.	PART NO.	DESCRIPTION.	QTY.
1	<b>5770028</b>	<b>GEARBOX</b>	-
2	5777201	COVER	-
3	N/A	GASKET	-
4	2770402	COVER BOLT	-
5	5777202	SHAFT	-
6	4777205	BEARING	-
7	4771620	BEARING	-
8	4771506	OIL SEAL	-
9	4777201	BEARING	-
10	4771600	BEARING	-
11	4771124	OIL SEAL	-
12	5777209	GEAR WHEEL + PINION	-
13	1777602	REAR SHAFT GUARD	-
14	5777208	PLUG	-
15	2771129	CIRCLIP	-
16	2771108	CIRCLIP	-
17	2771107	CIRCLIP	-
18	2770407	BOLT	-
19	2770434	WASHER	-

# Spearhead Trident 6000

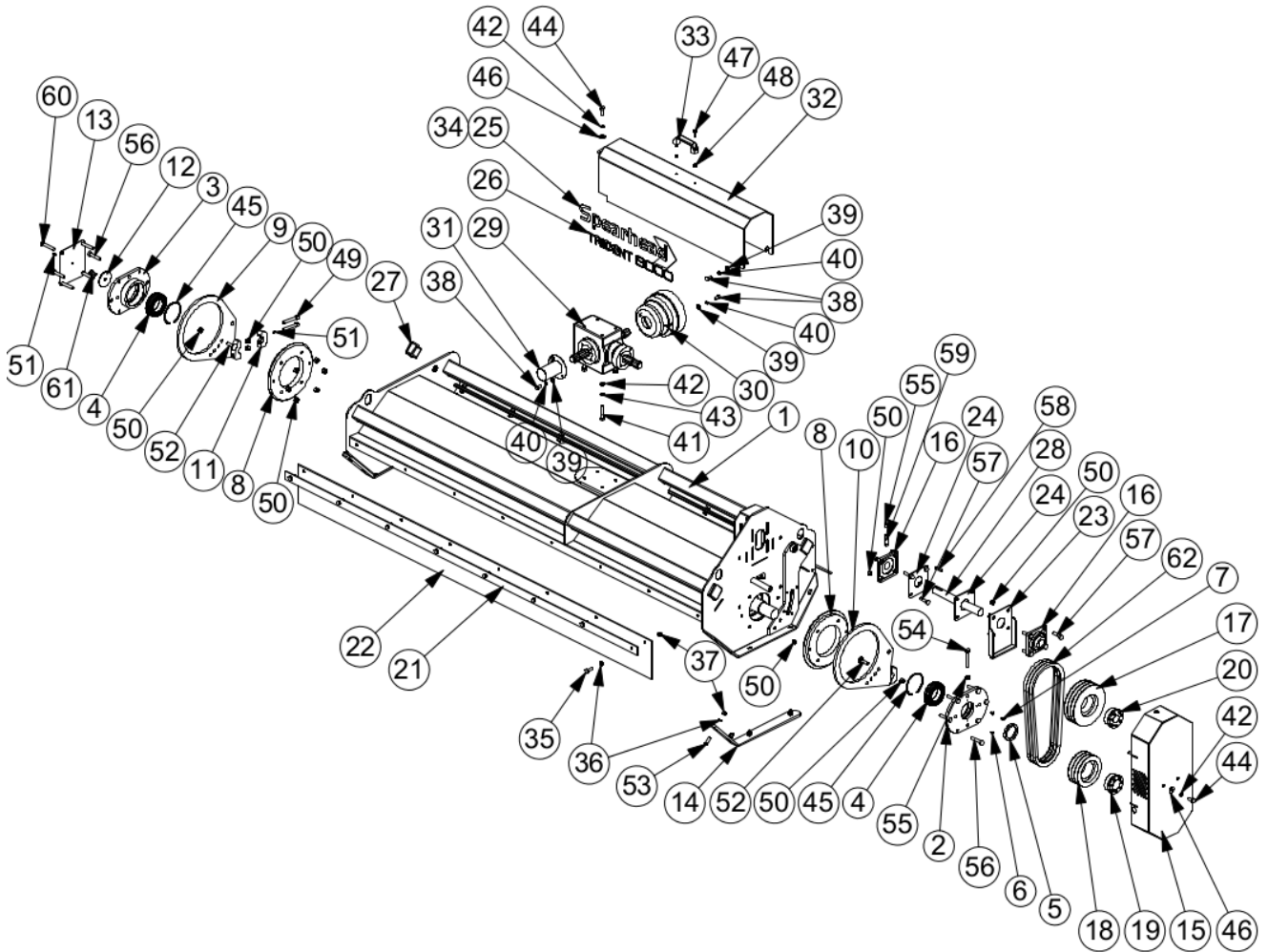
## 5770032 – DISENGAGE GEARBOX



ITEM NO.	PART NO.	DESCRIPTION.	QTY.
1	<b>5770032</b>	<b>GEARBOX</b>	-
2	5772330	LEVER	-
3	5777201	COVER	-
4	N/A	GASKET	-
5	2770402	COVER BOLT	-
6	5777202	SHAFT	-
7	4777205	BEARING	-
8	4771620	BEARING	-
9	4771506	OIL SEAL	-
10	4777201	BEARING	-
11	4771600	BEARING	-
12	4771124	OIL SEAL	-
13	5770209A	GEAR WHEEL + PINION	-
14	1777602	REAR SHAFT GUARD	-
15	5777208	PLUG	-
16	2771108	CIRCLIP	-
17	5772299	CIRCLIP	-
18	2771129	CIRCLIP	-
19	2770407	BOLT	-

# Spearhead Trident 6000

## S180015.I34 – TRIDENT 6000 – CTR FLAIL BODY ASSY



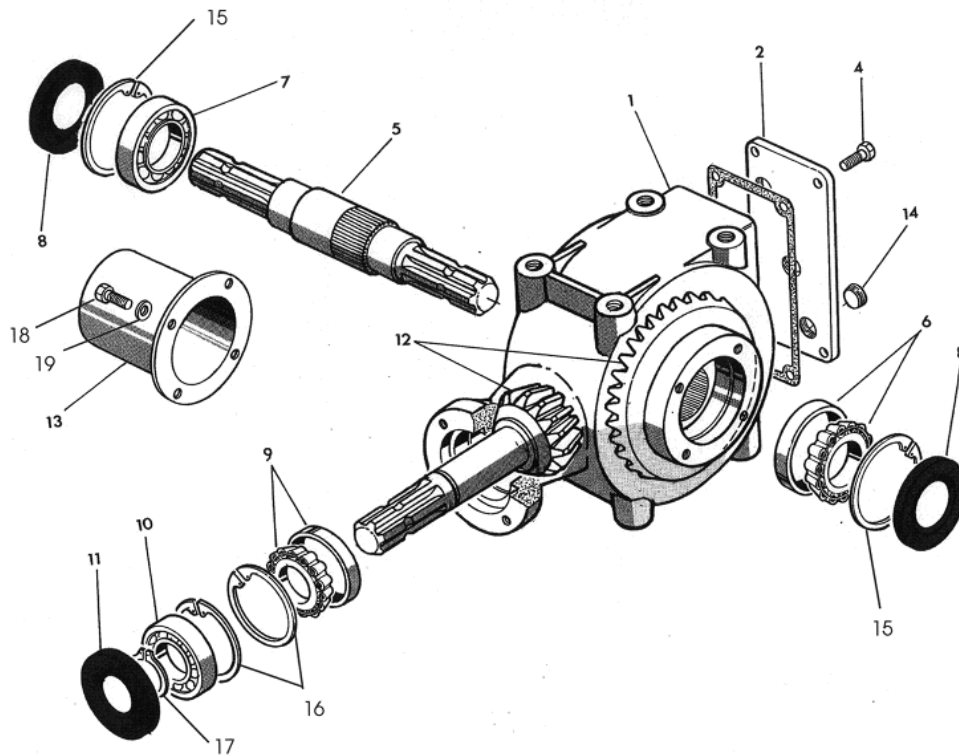
# Spearhead Trident 6000

## S180015.134 – TRIDENT 6000 – CTR FLAIL BODY ASSY

ITEM NO.	PART NO.	DESCRIPTION.	QTY.
1	1771584CR	RH Q21S COWL	1
2	1771529	DRIVE END BEARING HOUSING	1
3	1777310	NON-DRIVE BEARING HOUSING	1
4	4770891	BEARING	2
5	4771123	SEAL	1
6	2770385	SET SCREW	2
7	2770497	GREASE NIPPLE	1
8	1777719	ROTOR PROTECTION RING	2
9	1771526BR	RH ROLLER PLATE	1
10	1771526B	LH ROLLER PLATE	1
11	040000D	ROLLER CLAMP PLATE	2
12	1777207	RETAINING WASHER	1
13	1777312	ROTOR SHAFT COVER	1
14	1771530	SKID	2
15	1771514C	BELT GUARD	1
16	4770860EC	FLANGE BEARING	2
17	4770972	PULLEY	1
18	4770924	PULLEY	1
19	4770922	CLAMPING ELEMENT	1
20	4770923	CLAMPING ELEMENT	1
21	1771572	FLAP RETAINING STRIP	2
22	8400209	RUBBER FLAP	2
23	1771513	BELT TENSIONING BRACKET	1
24	1771520	BEARING CLAMP PLATE	2
25	8770373	SPEARHEAD DECAL	2
26	8770???	TRIDENT 6000 DECAL	1
27	7191108	SQAURE PLASTIC CAP	4
28	1772211	LAYSHAFT	1
29	5770032	GEARBOX	1
30	5770107	CONE	1
31	1777602	GEARBOX SHAFT COVER	1
32	1771511A	CROSS SHAFT GUARD	1
33	8777513	PLASTIC HANDLE	1
34	8770388	SPEARHEAD DECAL	1
35	2770421	SET SCREW	16
36	2770434	FLAT WASHER	24
37	2770412	NYLOCK NUT	24
38	2770418	SET SCREW	6
39	2770437	REPAIR WASHER	6
40	2770469	SPRING WASHER	6
41	2770450	BOLT	4
42	2770436	FLAT WASHER	4
43	2770442	SPRING WASHER	7
44	2770420	SET SCREW	3
45	2777521	INTERNAL CIRCLIP	2
46	2770246	REPAIR WASHER	3
47	2770612	SKT CAP SCREW	2
48	2770416	NYLOCK NUT	2
49	2770333	SKT CAP SCREW	4
50	2770417	NYLOCK NUT	24
51	2770467	GREASE NIPPLE	3
52	05.839.36	CUP SQUARE BOLT	2
53	2770509	SKT CSK SCREW	8
54	2770393	BOLT	1
55	2770536	FULL NUT	2
56	05.291.27	BOLT	8
57	2770397	BOLT	8
58	4772229	KEY	1
59	2770484	SET SCREW	1
60	2770424	BOLT	4
61	2770506	SKT CSK SCREW	1
62	4770952	BELT	3

# Spearhead Trident 6000

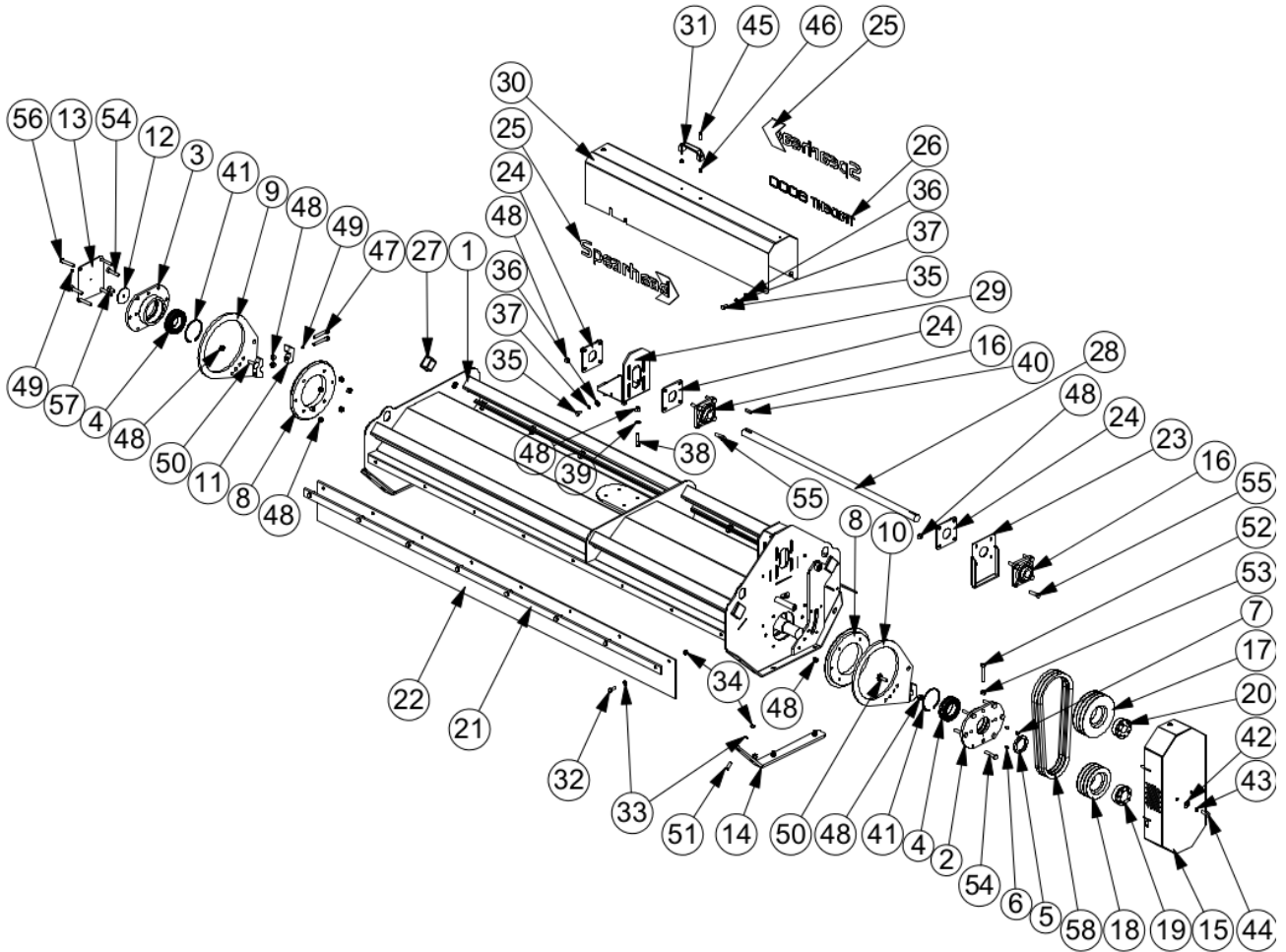
## 5770010 – GEARBOX



ITEM NO.	PART NO.	DESCRIPTION.	QTY.
1	<b>5770010</b>	<b>GEARBOX</b>	-
2	5777201	COVER	-
3	N/A	GASKET	-
4	2770402	COVER BOLT	-
5	N/A	SHAFT	-
6	4777205	BEARING	-
7	4771620	BEARING	-
8	4771506	OIL SEAL	-
9	4777201	BEARING	-
10	4771600	BEARING	-
11	4771124	OIL SEAL	-
12	N/A	GEAR WHEEL + PINION	-
13	1777602	REAR SHAFT GUARD	-
14	5777208	PLUG	-
15	2771129	CIRCLIP	-
16	2771108	CIRCLIP	-
17	2771107	CIRCLIP	-
18	2770407	BOLT	-
19	2770434	WASHER	-

# Spearhead Trident 6000

## SI80015.135 – TRIDENT 6000 – LH FLAIL BODY ASSY





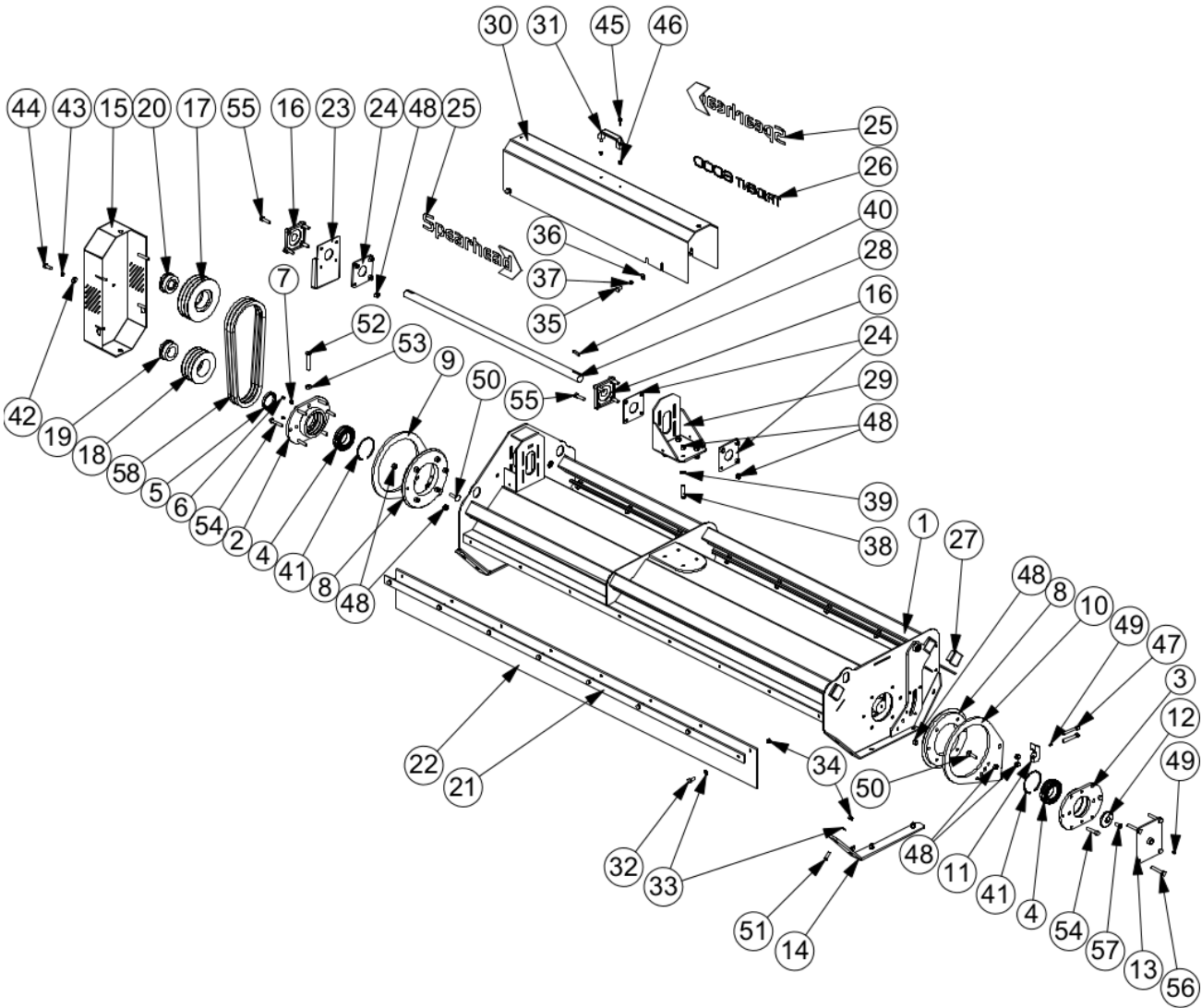
# Spearhead Trident 6000

## S180015.I35 – TRIDENT 6000 – LH FLAIL BODY ASSY

ITEM NO.	PART NO.	DESCRIPTION.	QTY.
1	1771584CR	RH Q21S COWL	1
2	1771529	DRIVE END BEARING HOUSING	1
3	1777310	NON-DRIVE BEARING HOUSING	1
4	4770891	BEARING	2
5	4771123	SEAL	1
6	2770385	SET SCREW	2
7	2770497	GREASE NIPPLE	1
8	1777719	ROTOR PROTECTION RING	2
9	1771526BR	RH ROLLER PLATE	1
10	1771526B	LH ROLLER PLATE	1
11	040000D	ROLLER CLAMP PLATE	2
12	1777207	RETAINING WASHER	1
13	1777312	ROTOR SHAFT COVER	1
14	1771530	SKID	2
15	1771514C	BELT GUARD	1
16	4770860EC	FLANGE BEARING	2
17	4770972	PULLEY	1
18	4770924	PULLEY	1
19	4770922	CLAMPING ELEMENT	1
20	4770923	CLAMPING ELEMENT	1
21	1771572	FLAP RETAINING STRIP	2
22	8400209	RUBBER FLAP	2
23	1771513	BELT TENSIONING BRACKET	1
24	1771520	BEARING CLAMP PLATE	3
25	8770373	SPEARHEAD DECAL	2
26	8770???	TRIDENT 6000 DECAL	1
27	7191108	SQUARE PLASTIC CAP	4
28	1771543	LAYSHAFT	1
29	1771546A	LAYSHAFT SUPPORT BRACKET	1
30	181595	CROSS SHAFT GUARD	1
31	8777513	PLASTIC HANDLE	1
32	2770421	SET SCREW	16
33	2770434	FLAT WASHER	24
34	2770412	NYLOCK NUT	24
35	2770418	SET SCREW	4
36	2770437	REPAIR WASHER	4
37	2770469	SPRING WASHER	4
38	2770450	BOLT	4
39	2770436	FLAT WASHER	4
40	4772229	KEY	1
41	2777521	INTERNAL CIRCLIP	2
42	2770246	REPAIR WASHER	1
43	2770442	SPRING WASHER	1
44	2770420	SET SCREW	1
45	2770612	SKT CAP SCREW	2
46	2770416	NYLOCK NUT	2
47	2770333	SKT CAP SCREW	4
48	2770417	NYLOCK NUT	21
49	2770467	GREASE NIPPLE	3
50	05.839.36	CUP SQUARE BOLT	2
51	2770509	SKT CSK SCREW	1
52	2770393	BOLT	1
53	2770536	FULL NUT	1
54	05.291.27	BOLT	8
55	2770397	BOLT	8
56	2770424	BOLT	4
57	2770506	SKT CSK SCREW	1
58	4770952	BELT	3

# Spearhead Trident 6000

## SI80015.136 – TRIDENT 6000 – RH FLAIL BODY ASSY



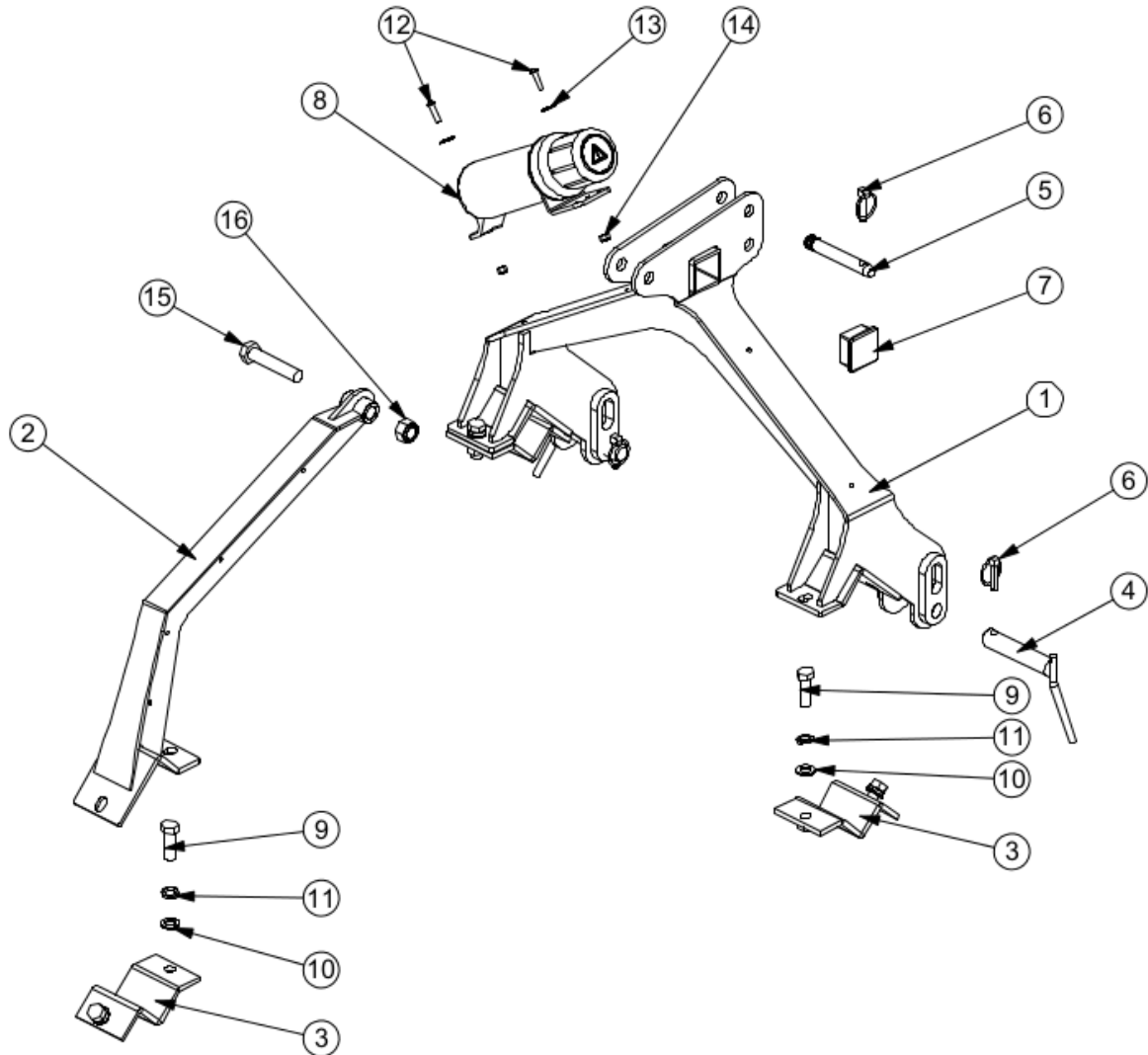
# Spearhead Trident 6000

## S180015.136 – TRIDENT 6000 – RH FLAIL BODY ASSY

ITEM NO.	PART NO.	DESCRIPTION.	QTY.
1	1771584C	LH Q21S COWL	1
2	1771529	DRIVE END BEARING HOUSING	1
3	1777310	NON-DRIVE BEARING HOUSING	1
4	4770891	BEARING	2
5	4771123	SEAL	1
6	2770385	SET SCREW	2
7	2770497	GREASE NIPPLE	1
8	1777719	ROTOR PROTECTION RING	2
9	1771526BR	RH ROLLER PLATE	1
10	1771526B	LH ROLLER PLATE	1
11	040000D	ROLLER CLAMP PLATE	2
12	1777207	RETAINING WASHER	1
13	1777312	ROTOR SHAFT COVER	1
14	1771530	SKID	2
15	1771514C	BELT GUARD	1
16	4770860EC	FLANGE BEARING	2
17	4770972	PULLEY	1
18	4770924	PULLEY	1
19	4770922	CLAMPING ELEMENT	1
20	4770923	CLAMPING ELEMENT	1
21	1771572	FLAP RETAINING STRIP	2
22	8400209	RUBBER FLAP	2
23	1771513	BELT TENSIONING BRACKET	1
24	1771520	BEARING CLAMP PLATE	3
25	8770373	SPEARHEAD DECAL	2
26	8770???	TRIDENT 6000 DECAL	1
27	7191108	SQUARE PLASTIC CAP	4
28	1771543	LAYSHAFT	1
29	1771546A	LAYSHAFT SUPPORT BRACKET	1
30	181595	CROSS SHAFT GUARD	1
31	8777513	PLASTIC HANDLE	1
32	2770421	SET SCREW	16
33	2770434	FLAT WASHER	24
34	2770412	NYLOCK NUT	24
35	2770418	SET SCREW	4
36	2770437	REPAIR WASHER	4
37	2770469	SPRING WASHER	4
38	2770450	BOLT	4
39	2770436	FLAT WASHER	4
40	4772229	KEY	1
41	2777521	INTERNAL CIRCLIP	2
42	2770246	REPAIR WASHER	1
43	2770442	SPRING WASHER	1
44	2770420	SET SCREW	1
45	2770612	SKT CAP SCREW	2
46	2770416	NYLOCK NUT	2
47	2770333	SKT CAP SCREW	4
48	2770417	NYLOCK NUT	21
49	2770467	GREASE NIPPLE	3
50	05.839.36	CUP SQUARE BOLT	2
51	2770509	SKT CSK SCREW	1
52	2770393	BOLT	1
53	2770536	FULL NUT	1
54	05.291.27	BOLT	8
55	2770397	BOLT	8
56	2770424	BOLT	4
57	2770506	SKT CSK SCREW	1
58	4770952	BELT	3

# Spearhead Trident 6000

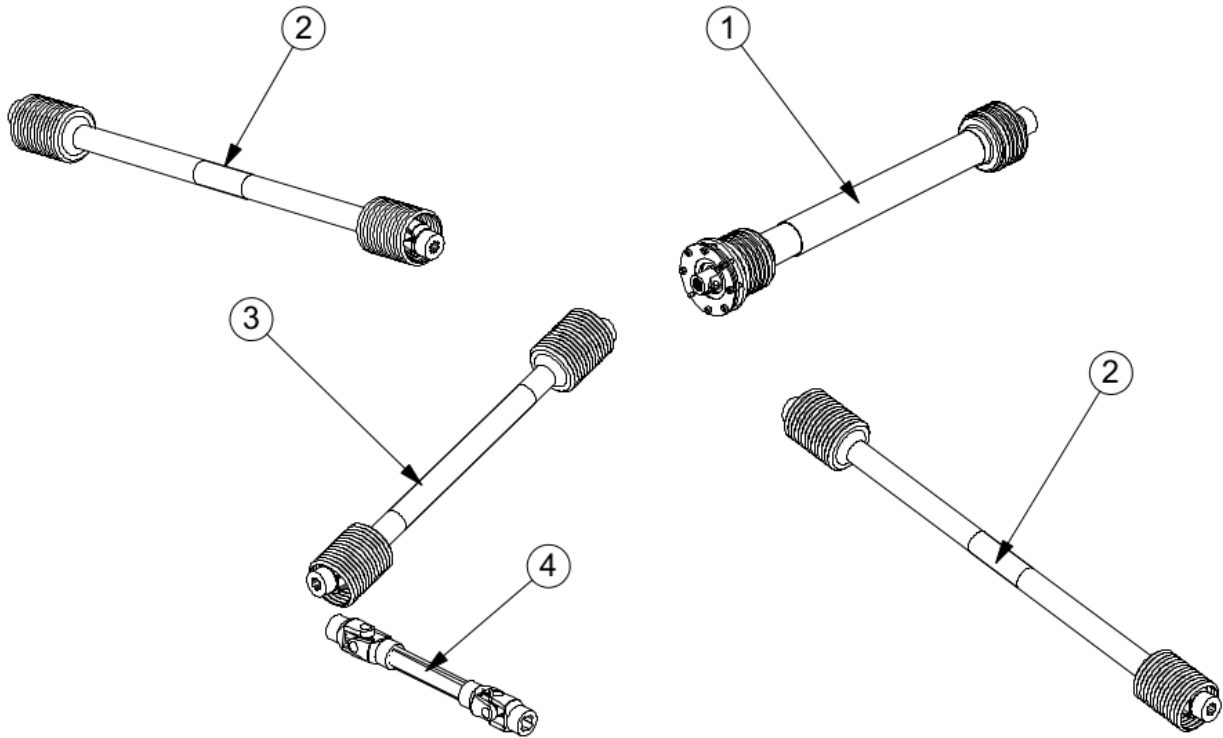
## SI80015.137 – TRIDENT/Q5 HEADSTOCK ASSY



ITEM NO.	PART NO.	DESCRIPTION.	QTY.
1	1771524A	HEADSTOCK	1
2	1771573	REAR SUPPORT	1
3	1771503A	CLAMP PLATE	3
4	6310229	LOWER LINK PIN	2
5	6310202	TOP LINK PIN	1
6	00.372.01	LYNCH PIN	3
7	7191108	SQUARE PLASTIC CAP	2
8	46505.01	DOCUMENT HOLDER	1
9	2770425	BOLT	6
10	2770454	FLAT WASHER	6
11	2770456	SPRING WASHER	6
12	2770368	SKT BUTTON SCREW	2
13	2770244	REPAIR WASHER	2
14	2770416	NYLOCK NUT	2
15	2770549	BOLT	1
16	2770409	NYLOCK NUT	1

# Spearhead Trident 6000

## S180015.138 – TRIDENT 6000 DRIVELINE SCHEDULE



ITEM NO.	PART NO.	DESCRIPTION.	QTY.
1	5770565	INPUT SHAFT	1
2	5770564	WING SHAFT	2
3	5770526	CENTRE BODY SHAFT	1
4	5770531	CENTRE BODY CROSS SHAFT	1

5770565 – TRIDENT INPUT SHAFT – MOUNTED

**NO  
PICTURE  
AVAILABLE**

# Spearhead Trident 6000

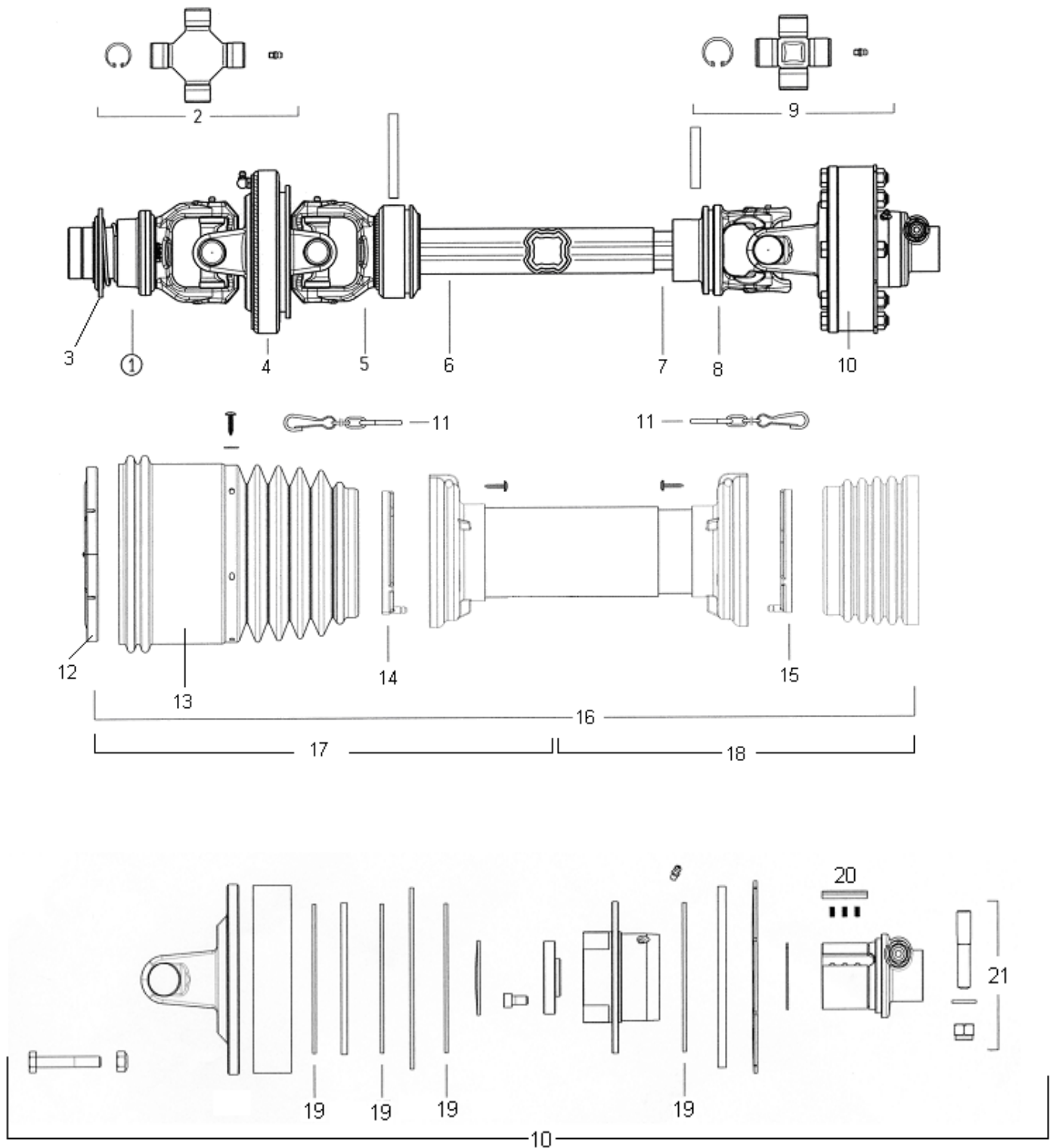
---

## 5770565 – TRIDENT INPUT SHAFT – MOUNTED

ITEM NO.	PART NO.	DESCRIPTION.	QTY.
	<b>5770565</b>	<b>INPUT SHAFT</b>	-
1		YOKE – 6 SPLINE	-
2		CROSS JOURNAL	-
3		RELEASE RING	-
5		YOKE	-
6		EXTERNAL TUBE	-
7		INNER TUBE	-
8		YOKE	-
9		CROSS JOURNAL	-
10		CLUTCH ASSEMBLY	-
11	5770565.01	COMPLETE GUARD	-
12	N/A	HALF GUARD	-
13	N/A	HALF GUARD	-
14		FRICTION DISC	-
15		TAPER PIN	-

# Spearhead Trident 6000

## 5790650 – TRIDENT INPUT SHAFT – TRAILED



### **Note 2005 onwards**

Please identify this shaft by star shaped telescopic tubes



# Spearhead Trident 6000

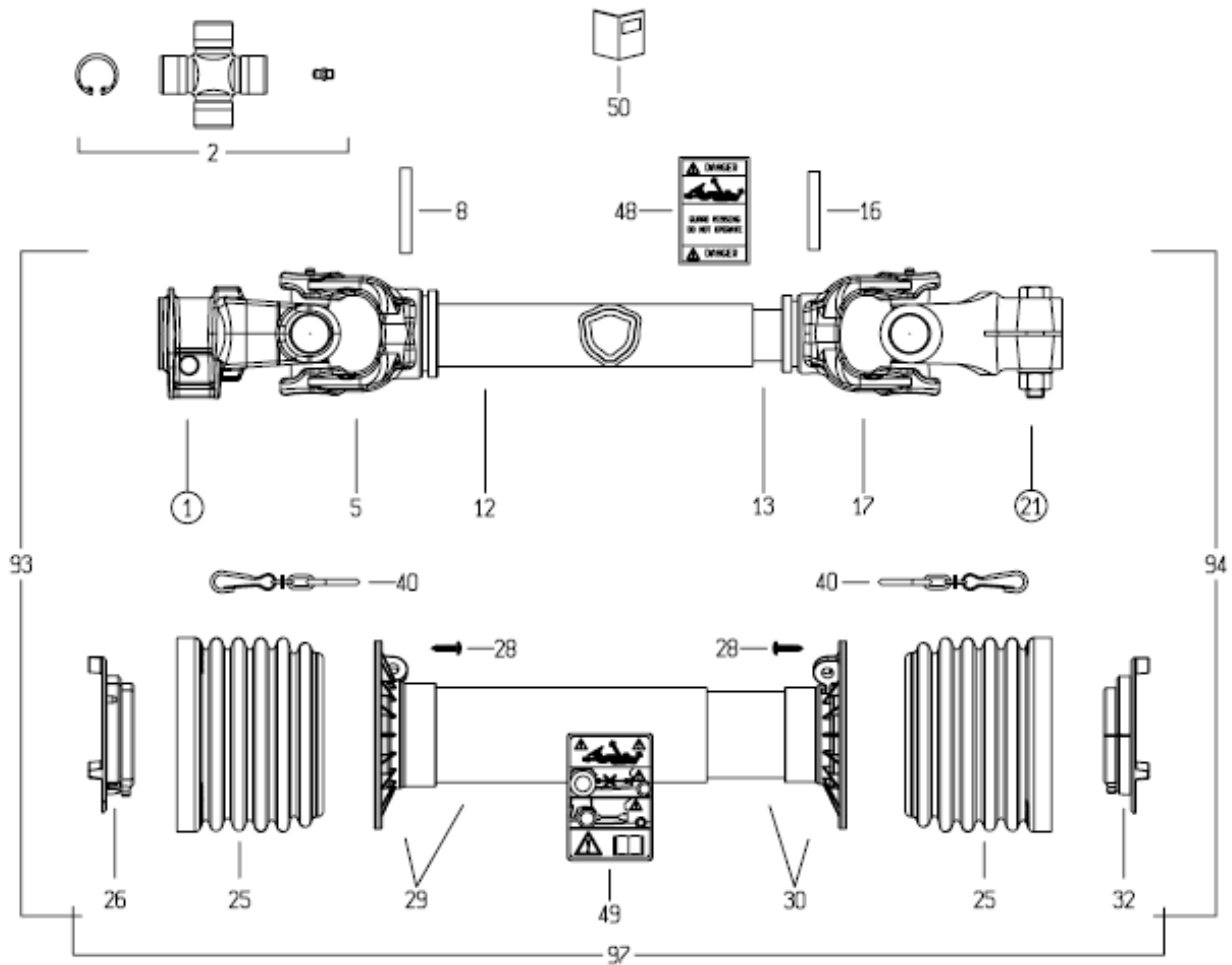
---

## 5790650 – TRIDENT INPUT SHAFT – TRAILED

ITEM NO.	PART NO.	DESCRIPTION.	QTY.
	<b>5790650</b>	<b>INPUT SHAFT</b>	-
1	5790646/1	YOKE – 6 SPLINE	-
2	5792146/2	CROSS JOURNAL	-
3	5771024A	RELEASE RING	-
4	5792146/4	CENTRE BODY	-
5	5792146/3	YOKE	-
6	5792146/5	EXTERNAL TUBE	-
7	5792146/6	INNER TUBE	-
8	5792146/7	YOKE	-
9	5792146/9	CROSS JOURNAL	-
10	5790650/1	CLUTCH ASSEMBLY	-
11	5792146/13	CHAIN	-
12	5792146/20	BEARING RING	-
13	5792146/10	GUARD	-
14	5792146/11	OUTER BEARING RING	-
15	5792146/12	INNER BEARING RING	-
16	5792146/19	COMPLETE GUARD	-
17	N/A	HALF GUARD	-
18	N/A	HALF GUARD	-
19	5781204	FRICTION DISC	-
20	5770127A	PAWL	-
21	5771322B	TAPER PIN	-

# Spearhead Trident 6000

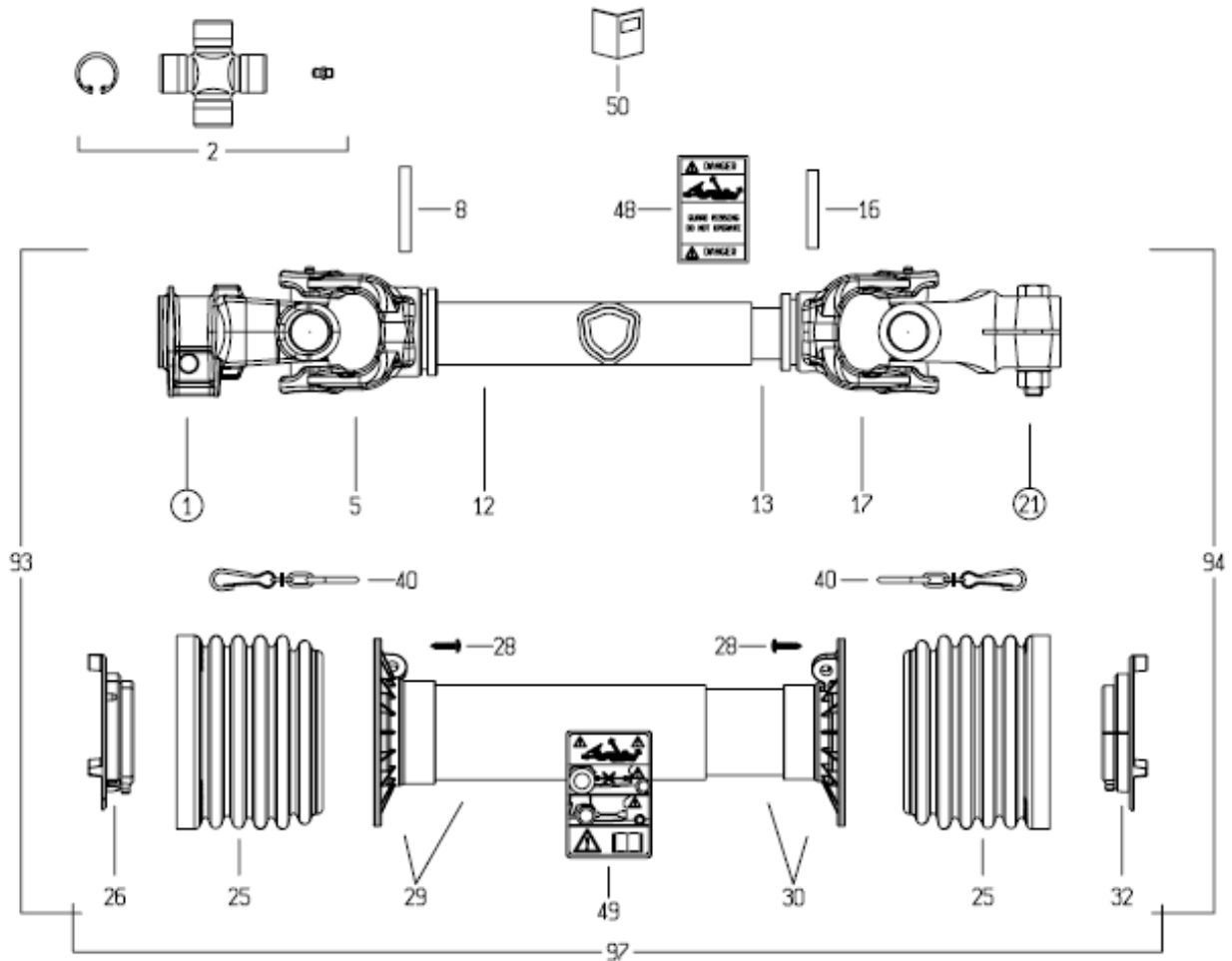
## 5770564 – TRIDENT 6000 WING SHAFT



ITEM NO.	PART NO.	DESCRIPTION.	QTY.
	<b>5770564</b>	<b>WING SHAFT</b>	-
1	5770532.01	YOKE – 6 SPLINE	-
2	5770532.02	CROSS JOURNAL	-
5	5770532.03	YOKE IN-BOARD OUTER	-
8	5770532.04	PIN	-
12	5770564.02	TUBE – OUTER	-
13	5770564.03	TUBE – INNER	-
16	5770532.07	PIN	-
17	5770532.08	YOKE IN-BOARD INNER	-
21	5770532.09	YOKE – C/W CLAMP BOLT	-
97	5770564.01	COMPLETE GUARD	-

# Spearhead Trident 6000

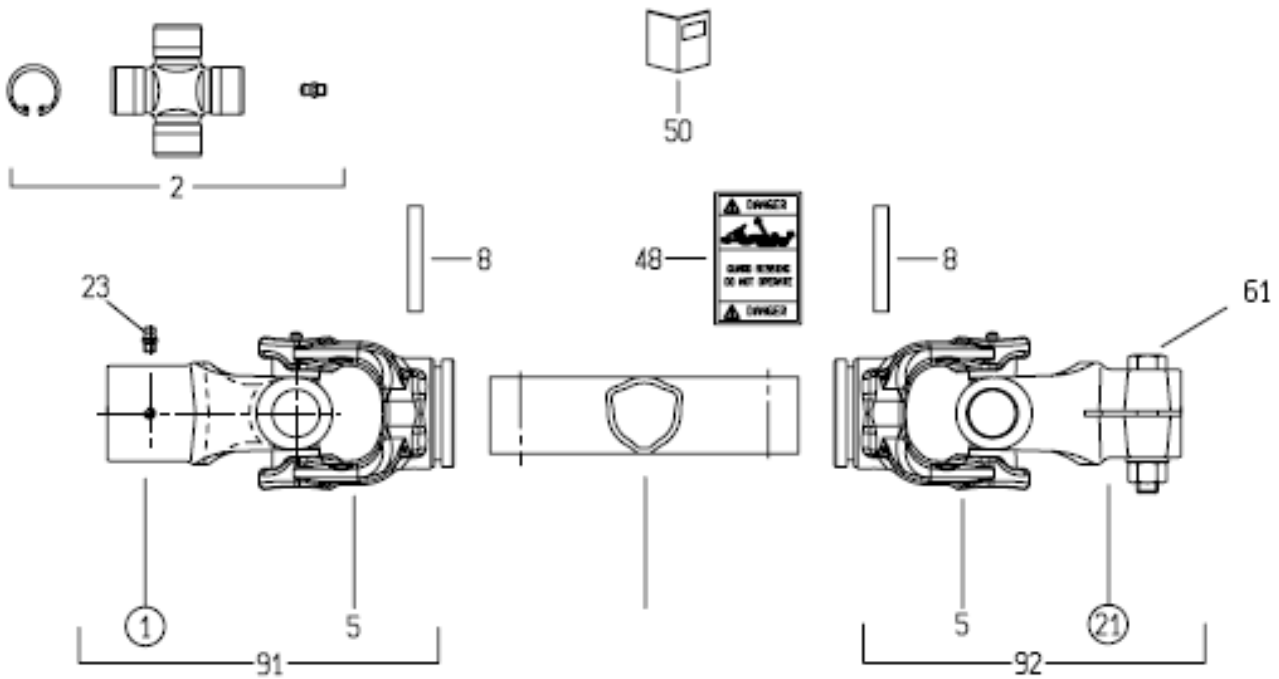
## 5770526 – TRIDENT REAR SHAFT



ITEM NO.	PART NO.	DESCRIPTION.	QTY.
	<b>5770526</b>	<b>REAR SHAFT</b>	-
1	5770526.01	YOKE – 6 SPLINE	-
2	5770526.02	CROSS JOURNAL	-
5	5770526.03	YOKE IN-BOARD OUTER	-
8	5770526.04	PIN	-
12	5770526.05	TUBE – OUTER	-
13	5770526.06	TUBE – INNER	-
16	5770526.07	PIN	-
17	5770526.08	YOKE IN-BOARD INNER	-
21	5770526.09	YOKE – C/W CLAMP BOLT	-
97	5770526.10	COMPLETE GUARD	-

# Spearhead Trident 6000

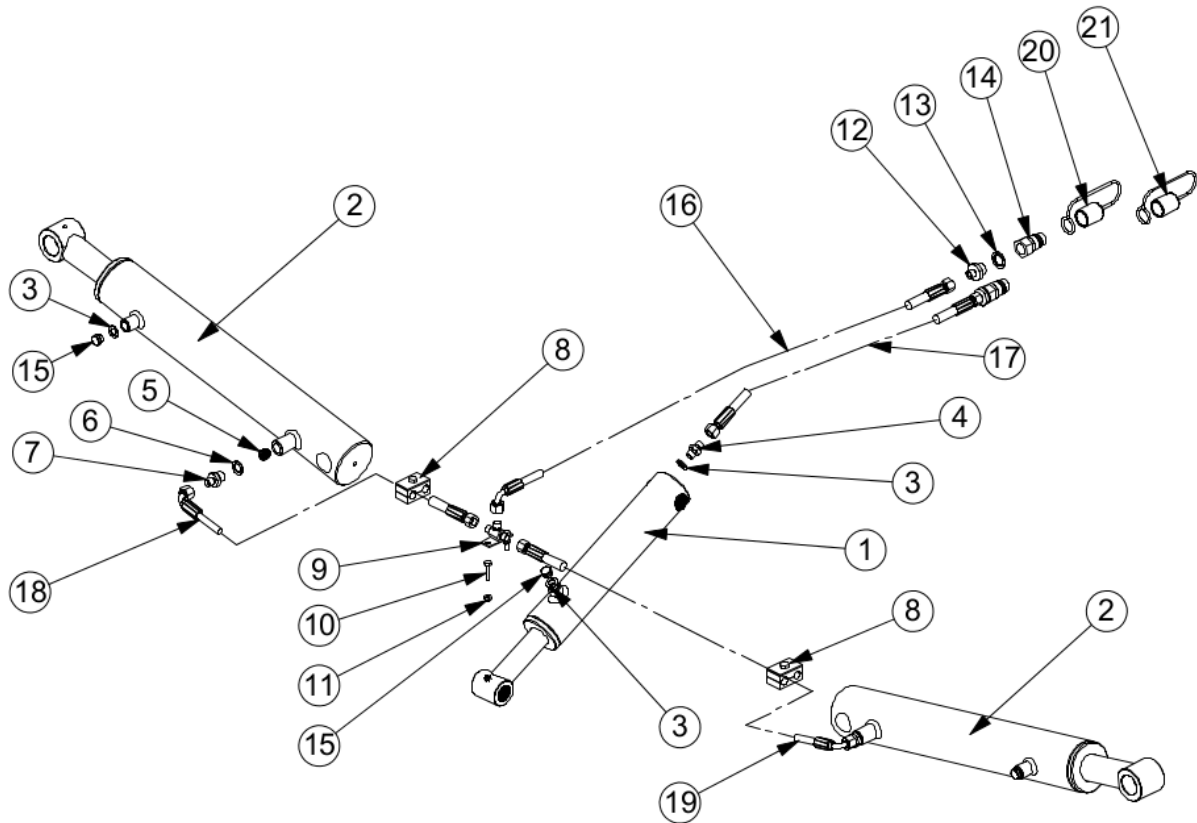
## 5770531 – Q21S CROSS SHAFT



ITEM NO.	PART NO.	DESCRIPTION.	QTY.
	<b>5770531</b>	<b>CROSS SHAFT - Q21S</b>	-
1	5770529.01	YOKE – 6 SPLINE	-
2	5770529.02	CROSS JOURNAL	-
5	5770529.03	YOKE IN-BOARD	-
8	5770529.04	PIN	-
12	5770531.01	TUBE	-
21	5770529.06	YOKE - C/W CLAMP BOLT	-
23	5770529.07	GREASE NIPPLE	-

# Spearhead Trident 6000

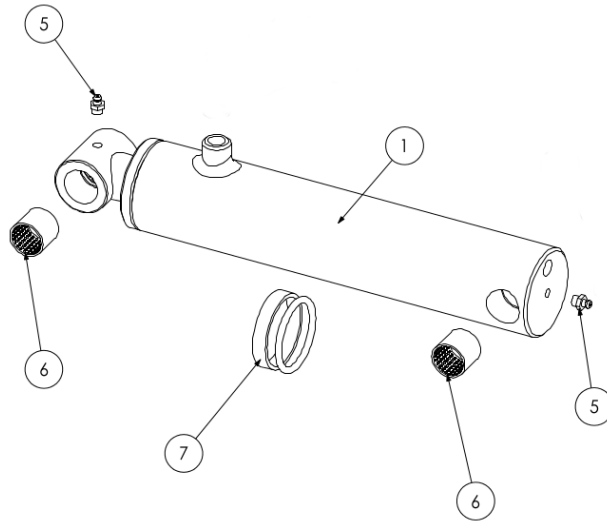
## S180015.I39 – TRIDENT HYD SCHEDULE - MOUNTED



ITEM NO.	PART NO.	DESCRIPTION.	QTY.
1	3580656	LINKAGE RAM	1
2	3580657	WING RAM	2
3	3260070	DOWTY WASHER	4
4	3360080	ADAPTOR	1
5	3600118	HOSE BURST CARTRIDGE	2
6	3260071	DOWTY WASHER	2
7	3360083	ADAPTOR	2
8	3870632	DOUBLE HOSE CLAMP ASSY	2
9	3460100	TEE PIECE	1
10	2770486	BOLT	2
11	2770373	NYLOCK NUT	2
12	3750154A	ADAPTOR	2
13	3260072	DOWTY WASHER	2
14	8590074	MALE QUICK RELEASE PROBE	2
15	3570659	BREATHER	3
16	3750262.01	HOSE	1
17	3750262.04	HOSE	1
18	3750262.03	HOSE	1
19	3750262.02	HOSE	1
20	3700236	DUST CAP - RED	1
21	3700237	DUST CAP - BLUE	1

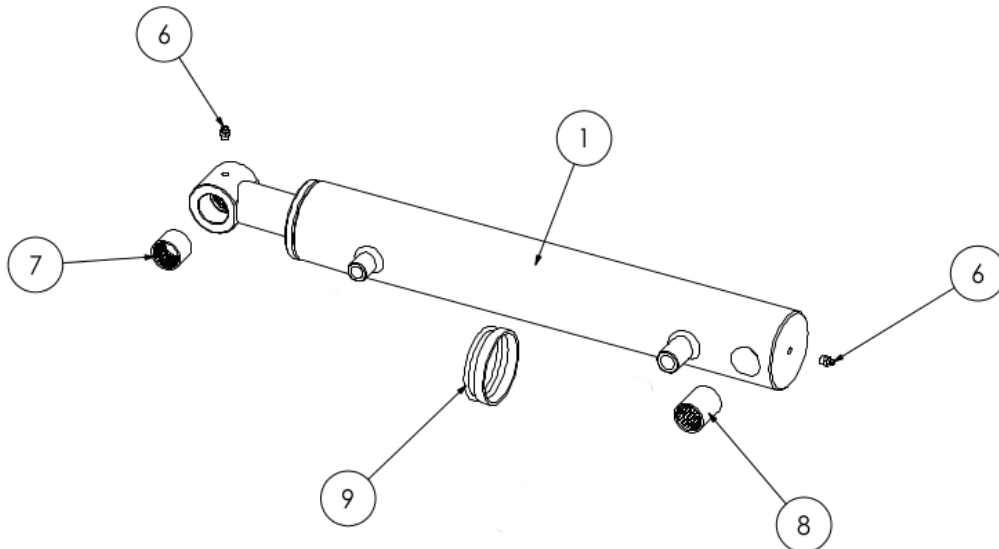
# Spearhead Trident 6000

## 3580656



ITEM NO.	PART NO.	DESCRIPTION.	QTY.
1	3580656	RAM	1
5	01.070.04	GREASE NIPPLE	2
6	4600413	BUSH	4
7	3570666W	SEAL KIT	1

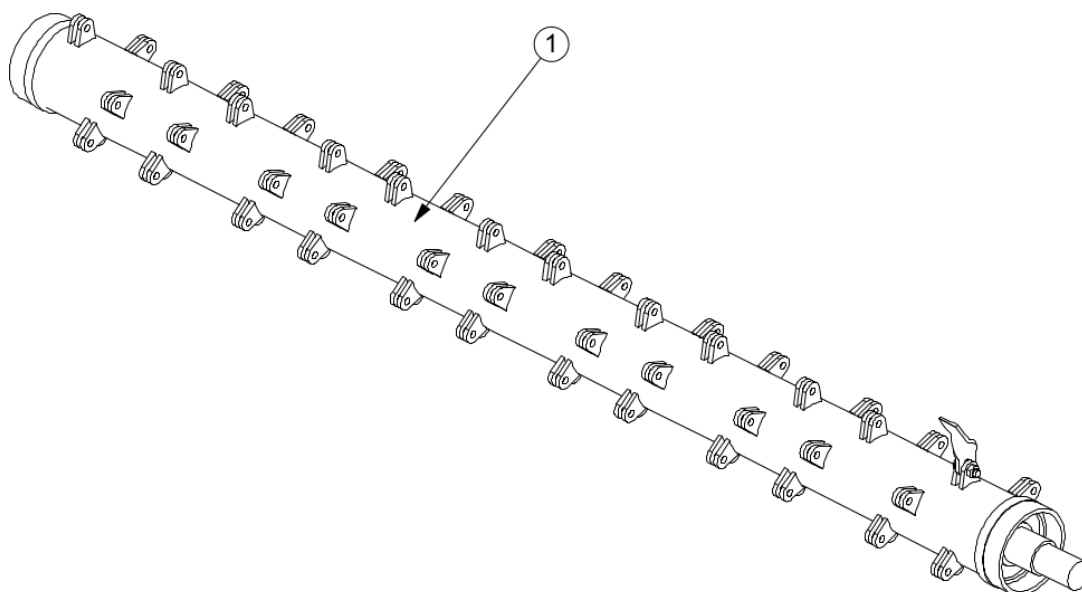
## 3580657



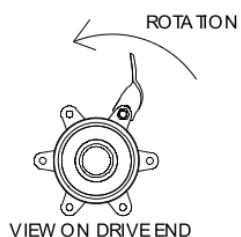
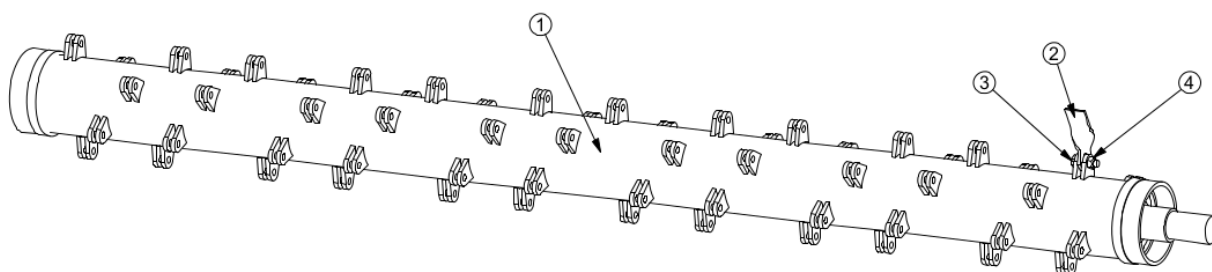
ITEM NO.	PART NO.	DESCRIPTION.	QTY.
1	3580656	RAM	1
6	01.070.04	GREASE NIPPLE	2
7	4600412	BUSH	2
8	4600414	BUSH	2
9	3570664HP	SEAL KIT	1

# Spearhead Trident 6000

## S180015.140 – Q21S LH FLAIL ROTOR ASSY - TWISTED FLAIL



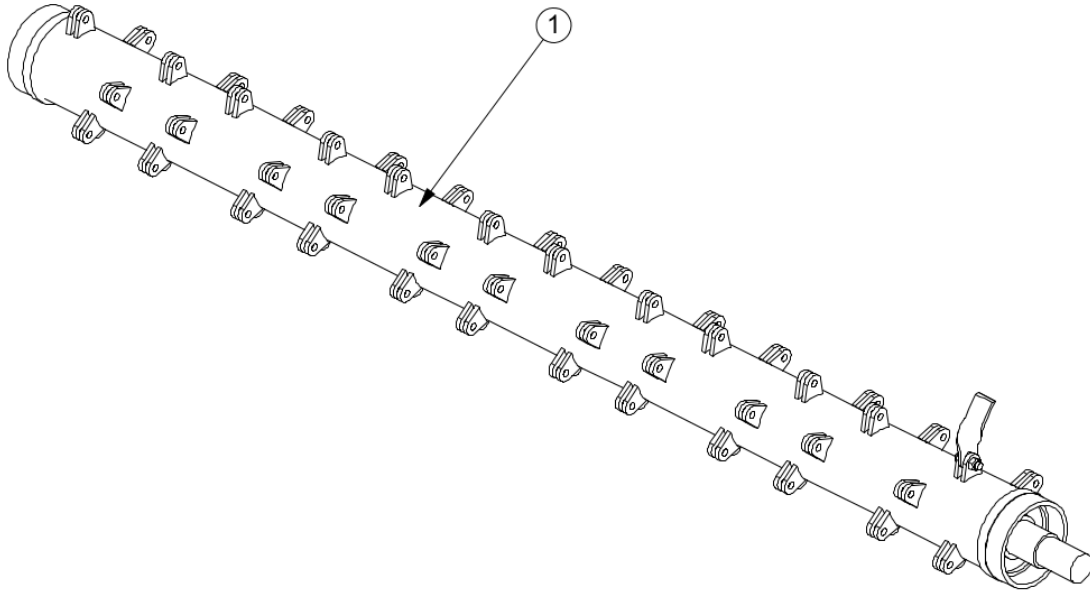
ITEM NO.	PART NO.	DESCRIPTION.	QTY.
1	1771580	Q21S LH ROTOR - TWISTED FLAIL	1



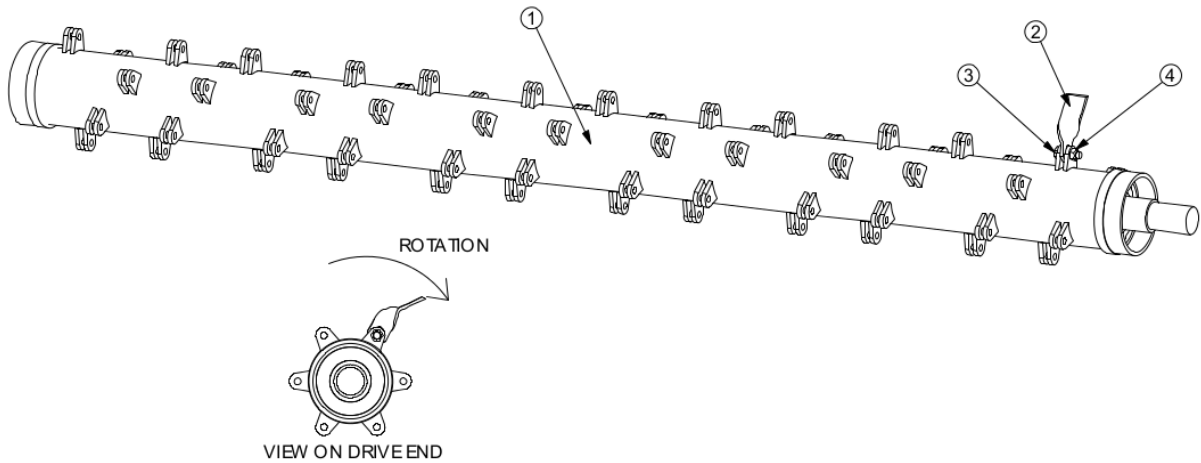
ITEM NO.	QTY.	PARTNO.	DESCRIPTION
1	1	1771580-WA	Q21S ROTOR
2	70	7770715	TWISTED FLAIL
3	70	2770364	BOLT - M12 X 40
4	70	2770574	M12 LOCK NUT

# Spearhead Trident 6000

## S180015.142 – Q21S RH FLAIL ROTOR ASSY - TWISTED FLAIL



ITEM NO.	PART NO.	DESCRIPTION.	QTY.
1	1771580A	Q21S RH ROTOR - TWISTED FLAIL	1

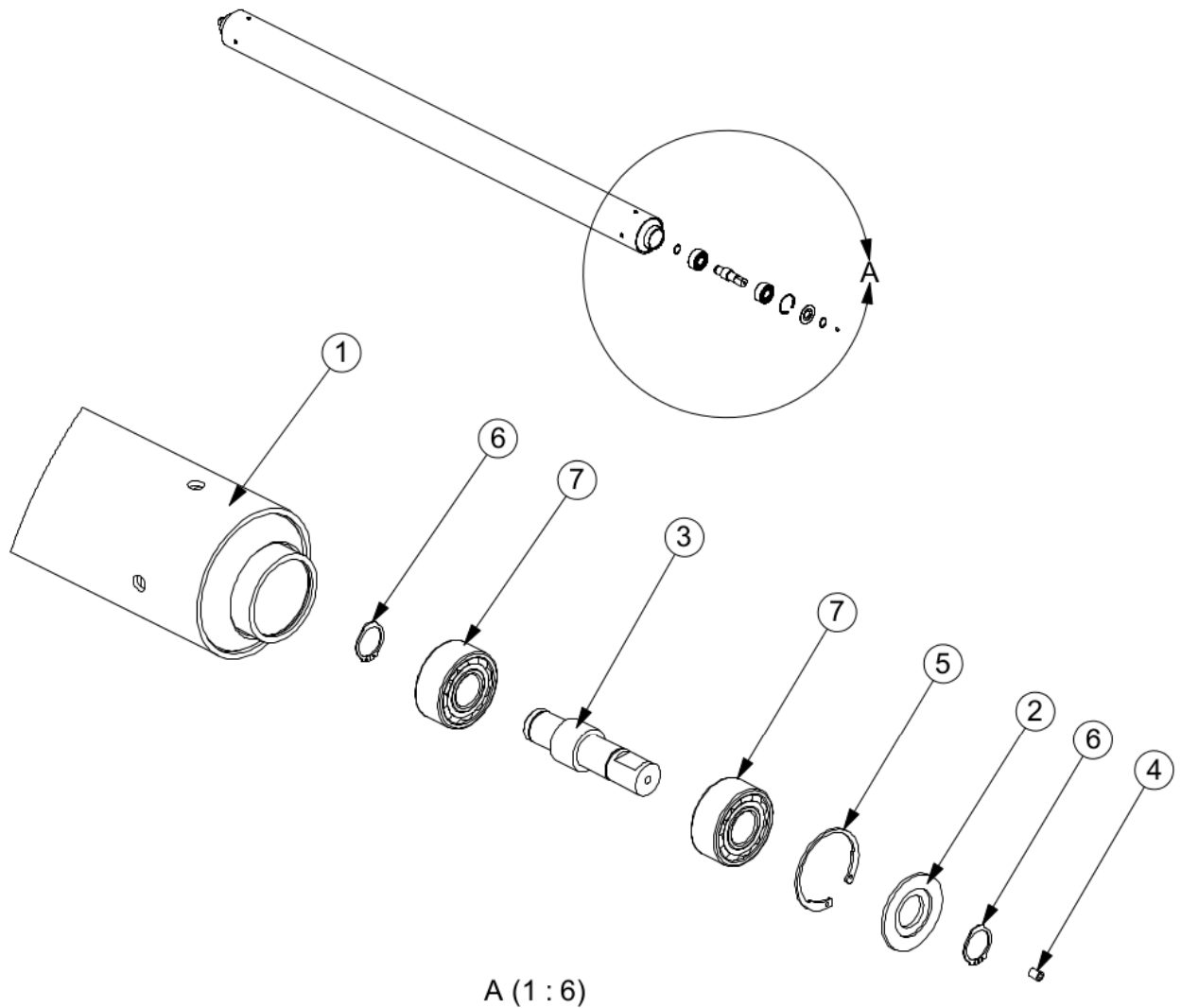


ITEM NO.	QTY.	PARTNO.	DESCRIPTION
1	1	1771580-WA	Q21S ROTOR
2	70	7770715	TWISTED FLAIL
3	70	2770364	BOLT - M12 X 40
4	70	2770574	M12 LOCK NUT



# Spearhead Trident 6000

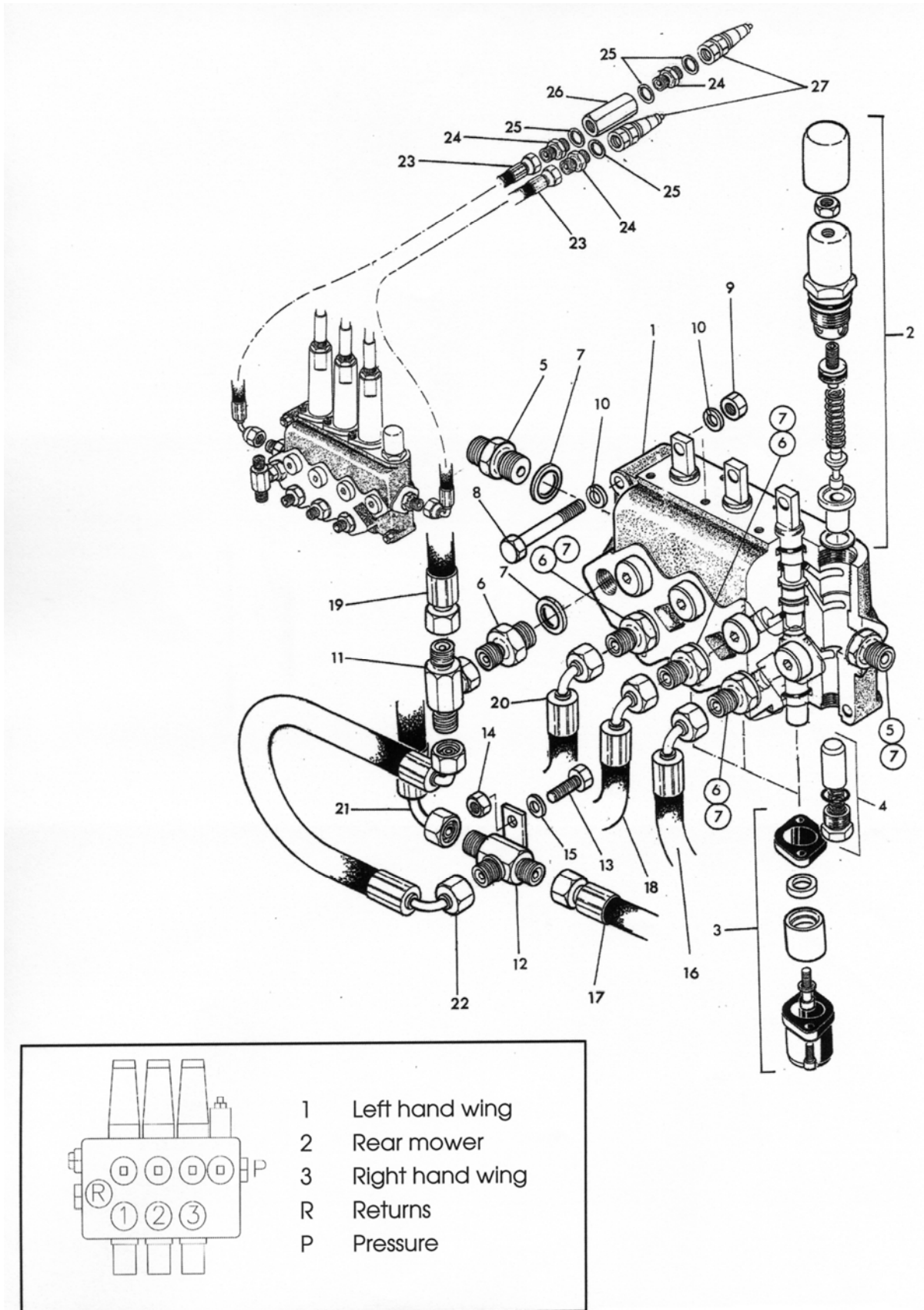
## S180015.141 – Q21S REAR ROLLER ASSY



ITEM NO.	PART NO.	DESCRIPTION.	QTY.
1	1771582	Q21S ROLLER TUBE	1
2	1777231A	HUB COVER	2
3	1777314A	ROLLER STUB SHAFT	2
4	2770239	GRUB SCREW	2
5	2771108	INTERNAL CIRCLIP	2
6	2777519	EXTERNAL CIRCLIP	4
7	4771604	BEARING	4

# Spearhead Trident 6000

## OPTION – CABLE CONTROL VALVE ASSY



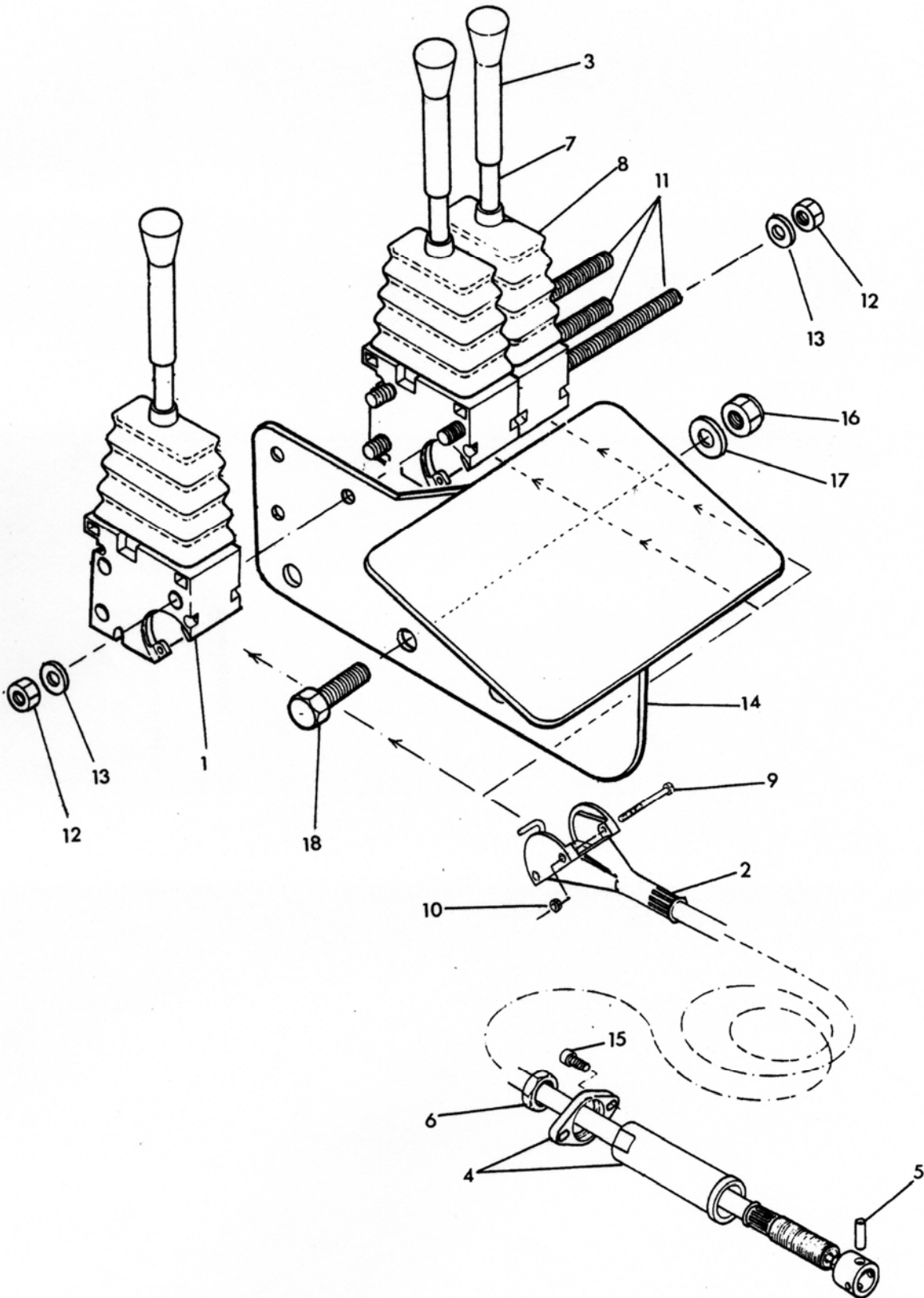
# Spearhead Trident 6000

## OPTION – CABLE CONTROL VALVE ASSY

ITEM NO.	PART NO.	DESCRIPTION.	QTY.
1	3600097	SPOOL BLOCK	1
	3600097/1	SPOOL	-
2	3600093	RELIEF VALVE CARTRIDGE	-
3	3610014	SPRING KIT	-
4	3610002	VALVE KIT	-
5	3360086	ADAPTOR	-
6	3360098	RESTRICTOR	-
7	3260071	SEAL	-
8	2770430	BOLT	-
9	2770412	NUT	-
10	2770442	SPRING WASHER	-
11	3460101	ADAPTOR – TEE	-
12	1800084	ADAPTOR	-
13	2770415	BOLT	-
14	2770412	NUT	-
15	2770433	SPRING WASHER	-
16	3760344	HOSE	-
17	3760345	HOSE	-
18	3760339	HOSE	-
19	3760340	HOSE	-
20	3760342	HOSE	-
21	3760343	HOSE	-
22	3760338	HOSE	-
23	3760341	HOSE	-
	3760341A	HOSE	-
24	3360088	ADAPTOR	-
25	3260072	BONDED SEAL	-
26	3610039	NON-RETURN VALVE	-
27	3750153	MALE COUPLING	-

# Spearhead Trident 6000

## OPTION - CABLE LEVER ASSY



# Spearhead Trident 6000

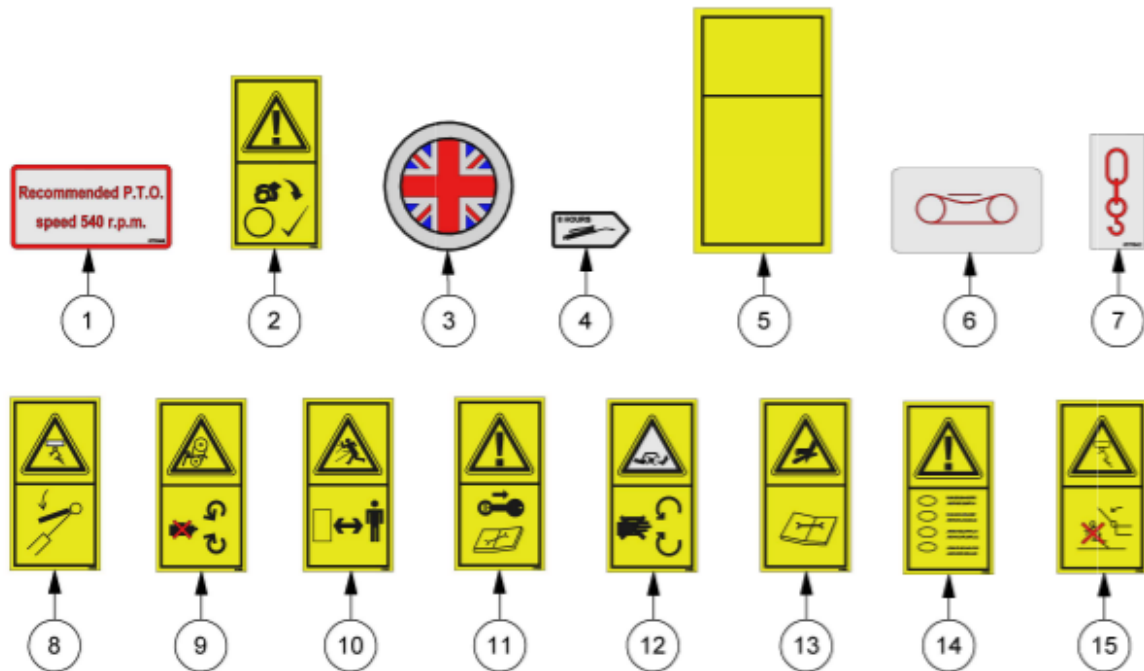
---

## OPTION – CABLE LEVER ASSY

ITEM NO.	PART NO.	DESCRIPTION.	QTY.
1	3910305	LEVER + CABLE ASSY – 4M	1
2	3910307	CABLE – 4M	-
3	3910314	BLACK COVER	-
4	3910319	CABLE SUPPORT-SPOOL VLE	-
5	3910322	CABLE PIN	-
6	2770449	NUT	-
7	3910316	LEVER	-
8	3910315	RUBBER COVER	-
9	2770252	BOLT	-
10	2770251	NYLOCK NUT	-
11	2770576	BOLT	-
12	2770373	NUT	-
13	2771408	WASHER	-
14	1777073	CONTROL BRACKET	-
15	1770243	SKT CAP BOLT	-
16	2770417	NUT	-
17	2770436	WASHER	-
18	2770484	SET SCREW	-

# Spearhead Trident 6000

## S180015.157 – DECAL SCHEDULE



ITEM NO.	PART NUMBER	DESCRIPTION	QTY.
1	8770305	PTO - 540 RPM DECAL	2
2	8770306	KEEP BOLTS TIGHT DECAL	5
3	8770307	MADE IN GB DECAL	3
4	8770322	GREASE POINT DECAL	25
5	8770367	LANGUAGES DECAL	2
6	8770341	BELT TENSION DECAL	3
7	8770342	SLING POINT DECAL	8
8	8770355	SECURE LIFT CYLINDER	3
9	8770356	DO NOT OPEN DECAL	4
10	8770357	KEEP SAFE DISTANCE	6
11	8770358	ENG OFF + REMOVE KEY	4
12	8770360	STAY CLEAR OF FLAILS	4
13	8770362	AVOID FLUID ESCAPING	1
14	8770363	READ OP MANUAL	4
15	8770368	CLEAR OF FALLING WING	4

# Spearhead Trident 6000

---





Spearhead Machinery  
Green View,  
Salford Priors,  
Evesham,  
Worcestershire,  
WR11 8SW

Tel: 01789 491860

Fax: 01789 778683

[www.spearheadmachinery.com](http://www.spearheadmachinery.com)  
[enquiries@spearheadmachinery.com](mailto:enquiries@spearheadmachinery.com)