

Spearhead

Trident 7600HD



Edition 1.0 - June 2014
Part No. 8999083

PARTS MANUAL

Trident 7600HD

Contents

Ordering Your Parts.....	3
Driveline Overview.....	5
Section 1 Overview.....	6
Section 1 Rotor.....	7
Section 1 Adaptor Bottom.....	9
Section 1 Adaptor Top.....	10
Section 1 General Parts.....	11
Section 1 Driveline.....	13
Section 1 Guards.....	16
Section 1 Relieving Spring.....	17
Section 2 Overview.....	18
Section 2 Rotor.....	19
Section 2 Adaptor Bracket.....	21
Section 2 General Parts.....	22
Section 2 Driveline.....	24
Section 2 Guards.....	27
Section 2 and 3 Relieving Spring.....	28
Section 3 Overview.....	29
Section 3 Rotor.....	30
Section 3 Adaptor Bracket.....	32
Section 3 General Parts.....	33
Section 3 Driveline.....	35
Section 3 Guards.....	38
Middle Frame.....	39
Break-back Bar.....	41
LH Arm Assembly.....	43
RH Arm Assembly.....	46
Compensating Spring Assembly.....	49
Hydraulic Cylinder.....	51
Main Gearbox Mount Assembly.....	52
Main Gearbox Break-Down.....	53

Trident 7600HD

Section 1 Gearbox Break-Down.....	55
Section 2 and 3 Gearbox Break-Down.....	57
Input Shaft Break-Down.....	59
LH/RH Wing Shaft Break-Down.....	61
LH/RH Wing Shaft Clutch Break-down.....	63
Safety Decals.....	65
Optional Equipment.....	66
Transport Protection Kit.....	67
Jack Stand Wheel.....	68
Rear Section Adaptor Frame.....	69
Rear Section Linkage Frame.....	70
Rear Section Linkage Assembly.....	72
Rear Section PTO Shaft Assembly.....	74
Rear Section PTO Shaft Overrun Clutch Break-Down.....	76

Trident 7600HD

Ordering Your Parts

When ordering parts please refer to your parts list to help your dealer with your order.

Part number and quantity
Description
Machine model number
Serial number of the machine
Delivery instructions (e.g. next day).

Delivery is normally via carrier direct to your dealer. Please check with your dealer for stock availability and arrangement of dispatch. Ensure you or your dealer has sufficient cover for parts requirement outside factory hours.

When ordering your seal kits please quote both codes stamped on the base of the cylinder.

Important Note

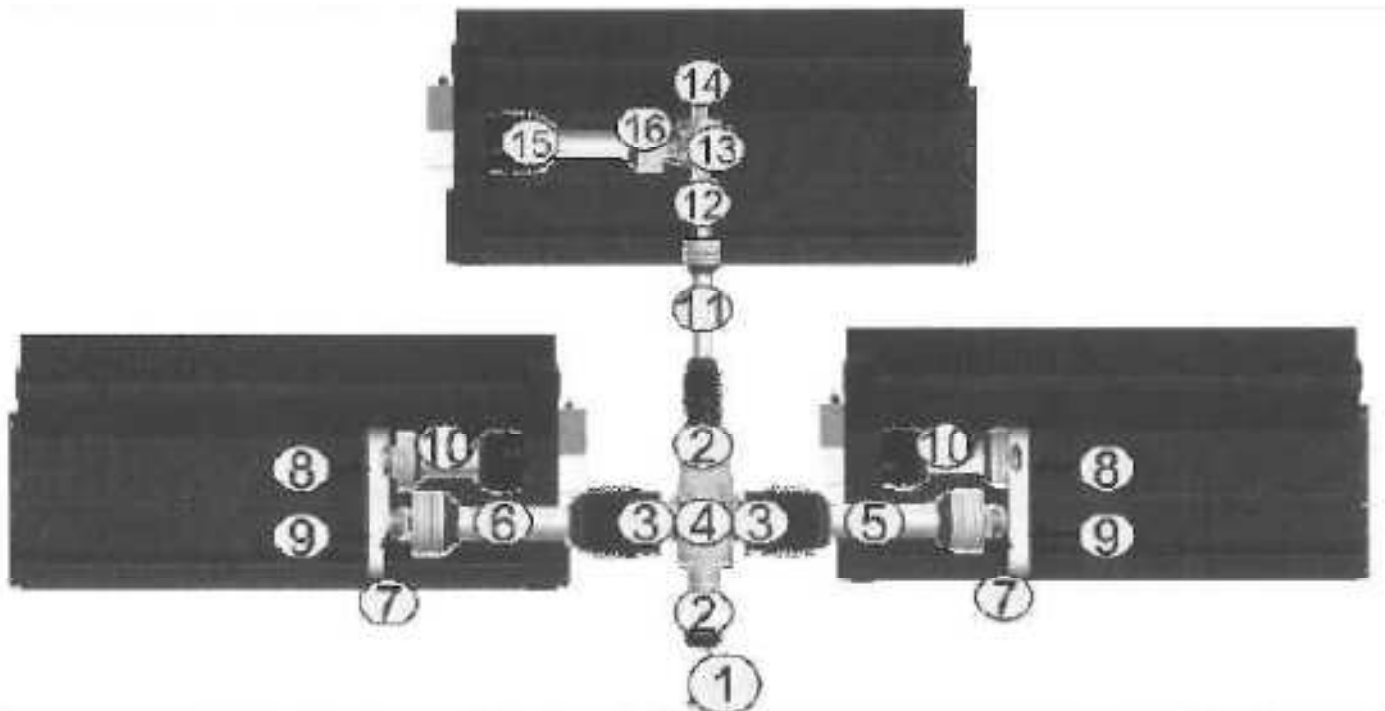
The information contained in this manual is correct at the time of publication. However, in the course of constant development, changes in specification are inevitable. Should you find the information given in this book different to the machine it relates to, please contact the "After Sales Department" for advice.

Key:

(LH) = Left hand
(RH) = *Right hand*

Trident 7600HD

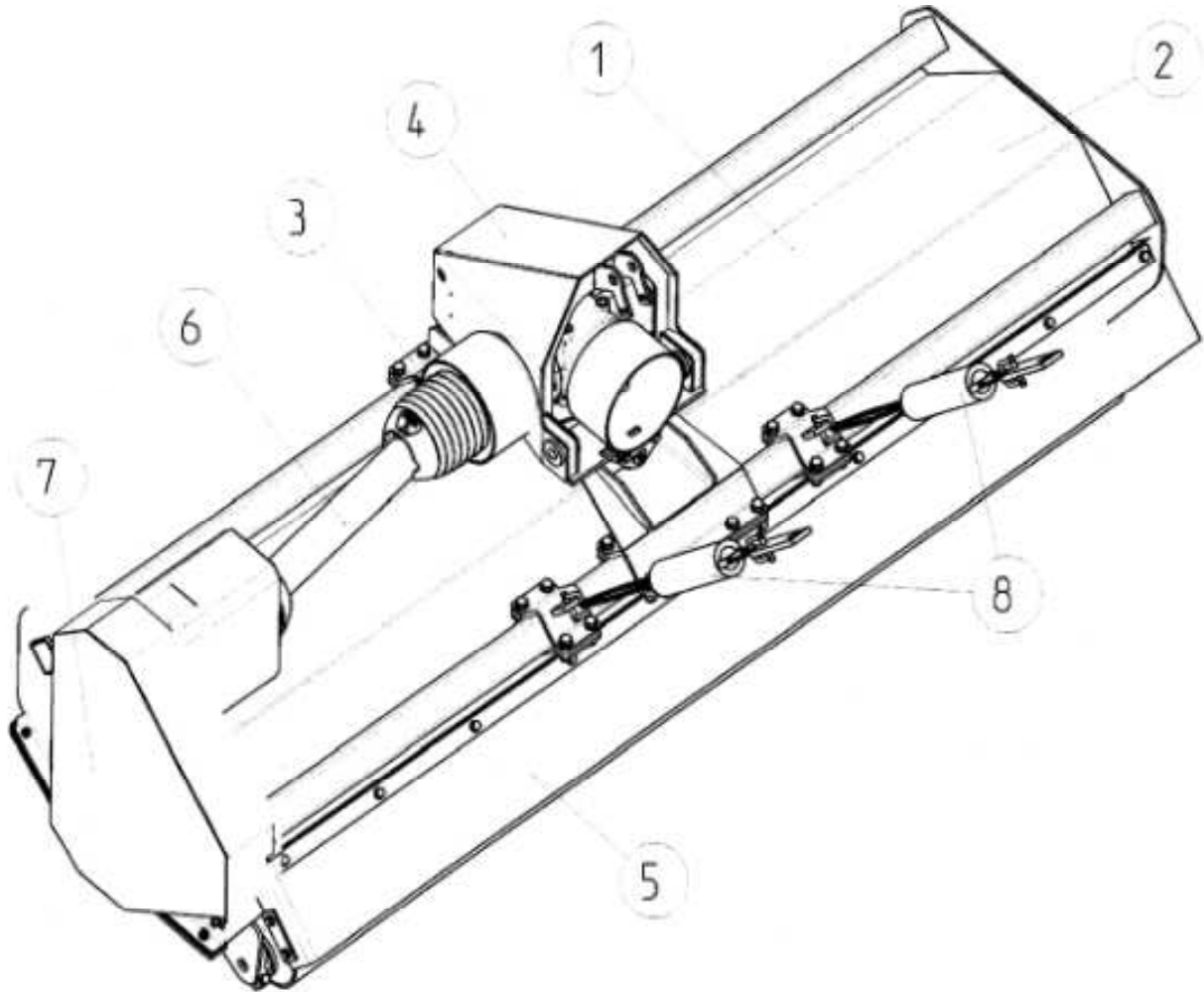
Driveline Overview:



Ref.	Part No.	Quantity	English Description	German Description	comment
1	8535010.0	1	Main Drive	Hauptantrieb	
2	8535011.0	2	PG Adapter PG20	PG Adapter PG20	
3	8535012.0	2	PG Adapter PG30	PG Adapter PG30	
4	-	1	Main gear box	Hauptgetriebe	
5	8535013.0	1	Drive shaft	Gelenkwelle	FK96/4L
6	8535014.0	1	Drive shaft	Gelenkwelle	FK96/4R
7	8535007.0	2	Safety shield	Schutztopf	
8	8555007.0	2	Spur gear unit	Stirnradgetriebe	
9	8531009.0	2	Shaft	Welle	
10	8535015.0	2	Drive shaft	Starre Welle	
11	8535016.0	1	Drive Shaft	Gelenkwelle	Frontanbau
11a	8535016.1	1	Drive Shaft	Gelenkwellenhälfte	Frontanbau
12	8535017.0	1	PG Adapter PG20	PG Adapter PG20	
13	8555003.0	1	Bevel gear unit	Kegelradgetriebe	
14	8535008.0	1	Safety shield	Zapfenschutz	
15	8535018.0	1	Drive shaft	Gelenkwelle	FK96/4
16	8535019.0	1	PG Adapter	PG Adapter	

Trident 7600HD

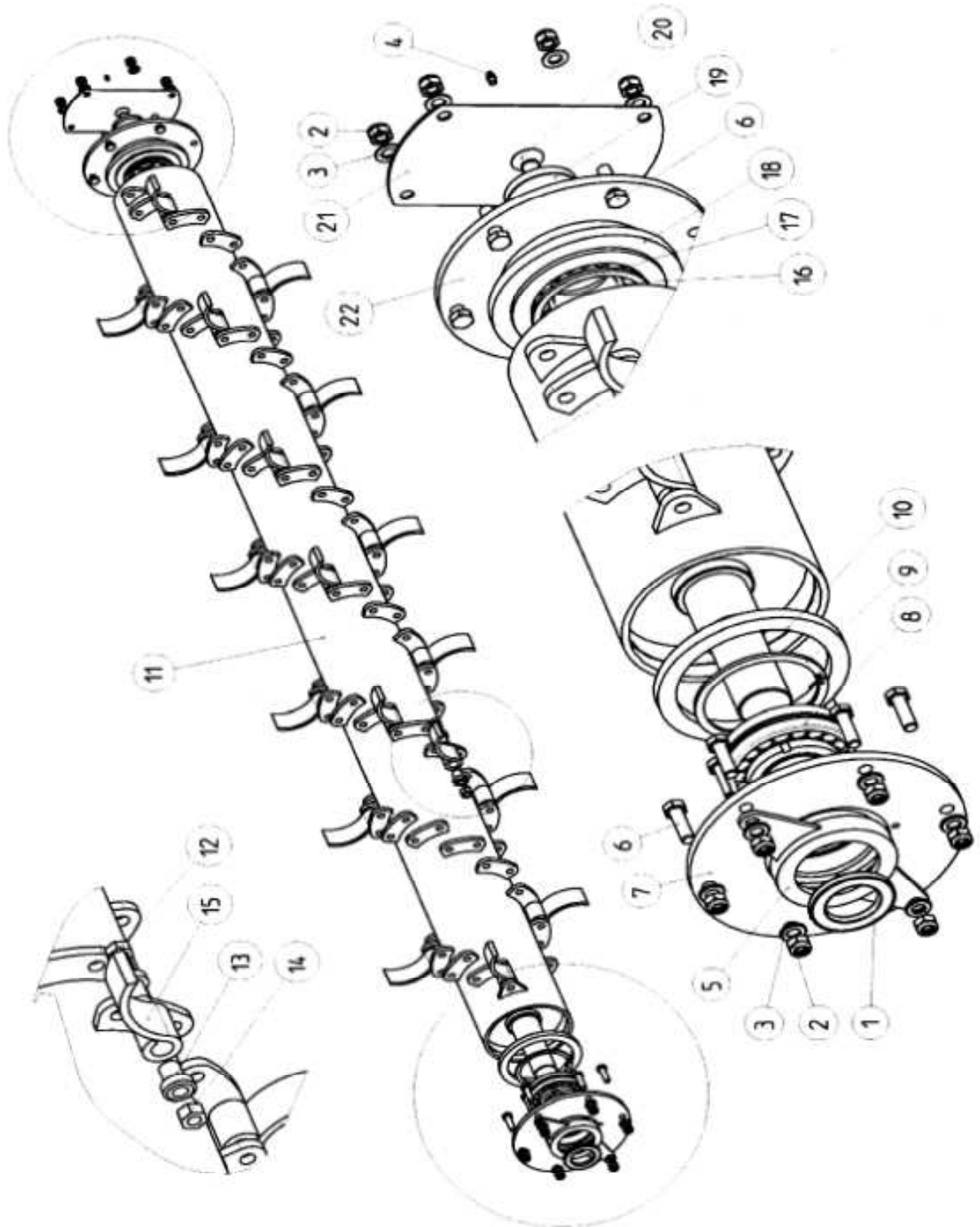
Section I Overview:



Ref.	page	Quantity	English Description	German Description	comment
1		1	mower housing	Mulchergehäuse	
2	5 - 6	1	rotor cpl.	Rotor kpl.	
3	7	1	adapter bottom	Adapter Unten	
4	8	1	adapter top	Adapter Oben	
5	9 - 10	1	general parts	Allgemeinteile	
6	11 - 13	1	drive line cpl.	Antrieb kpl.	
7	14	1	guard cpl.	Schutz kpl.	
8	15	2	relieving spring	Federentlastung	

Trident 7600HD

Section I Rotor:



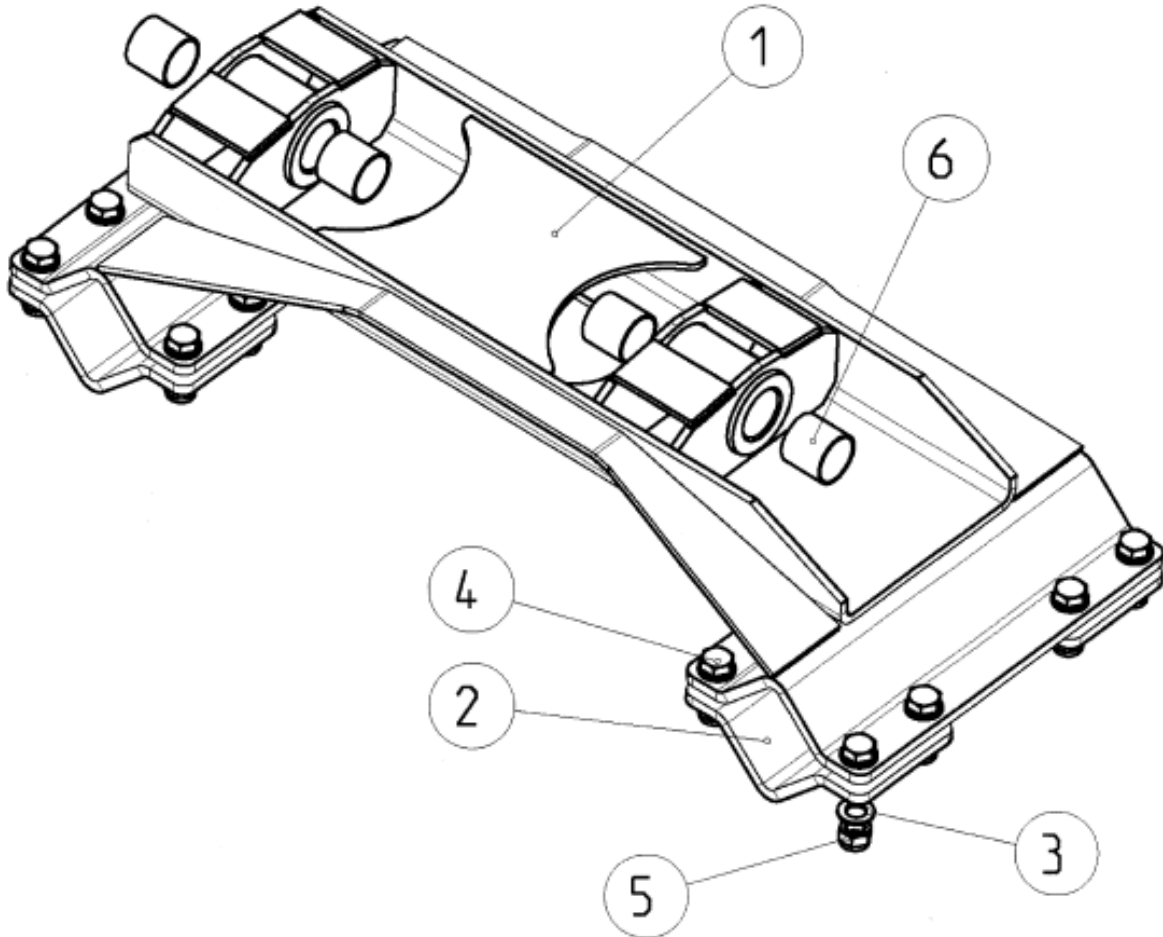
Trident 7600HD

Section I Rotor:

Ref.	Part No.	Quantity	English Description	German Description	comment
1	4771511	1	Shaft seal	Weellendichtring	100105
2	2770447	12	Nut	Sechskantmutter	100056
3	2770454	12	Washer	Unterlegscheibe	100058
4	2770467	2	Grease nipple	Schmiernippel	100094
5	1772311A	1	bracket	Konsole	100102
6	2770397	12	bolt	Sechskantschraube	100097
7	1772302A	1	housing	Gehäuse	100098
8	4770892	1	bearing	Lager	100099
9	2771611	1	circlip	Sicherungsring	100104
10	4771122	1	sealing	Dichtung	100020
11	SA00155	1	rotor 2,80 m cpl.	Rotor 2,80 m kpl.	100135
12	2770600	66	bolt	Sechskantschraube	100017
13	1777721	132	bush	Buchse	100019
14	2770601	66	Nut	Sechskantmutter	100018
15	7770699	66	flail	Schlegel	100112
16	2771610	1	circlip	Sicherungsring	100095
17	4770891	1	bearing	Lager	100090
18	4771122	1	sealing	Dichtung	100020
19	1777850	1	washer	Scheibe	100088
20	2770461	1	countersink	Senkschraube	100134
21	1777312A	1	cover	Deckel	100096
22	1772303A	1	housing	Gehäuse	100089
Achtung ! Bei ET – Bestellung Rotor bitte Angabe der Sektion !!!					
Attention ! Spare part Order rotor cpl. short info about the section !!!					

Trident 7600HD

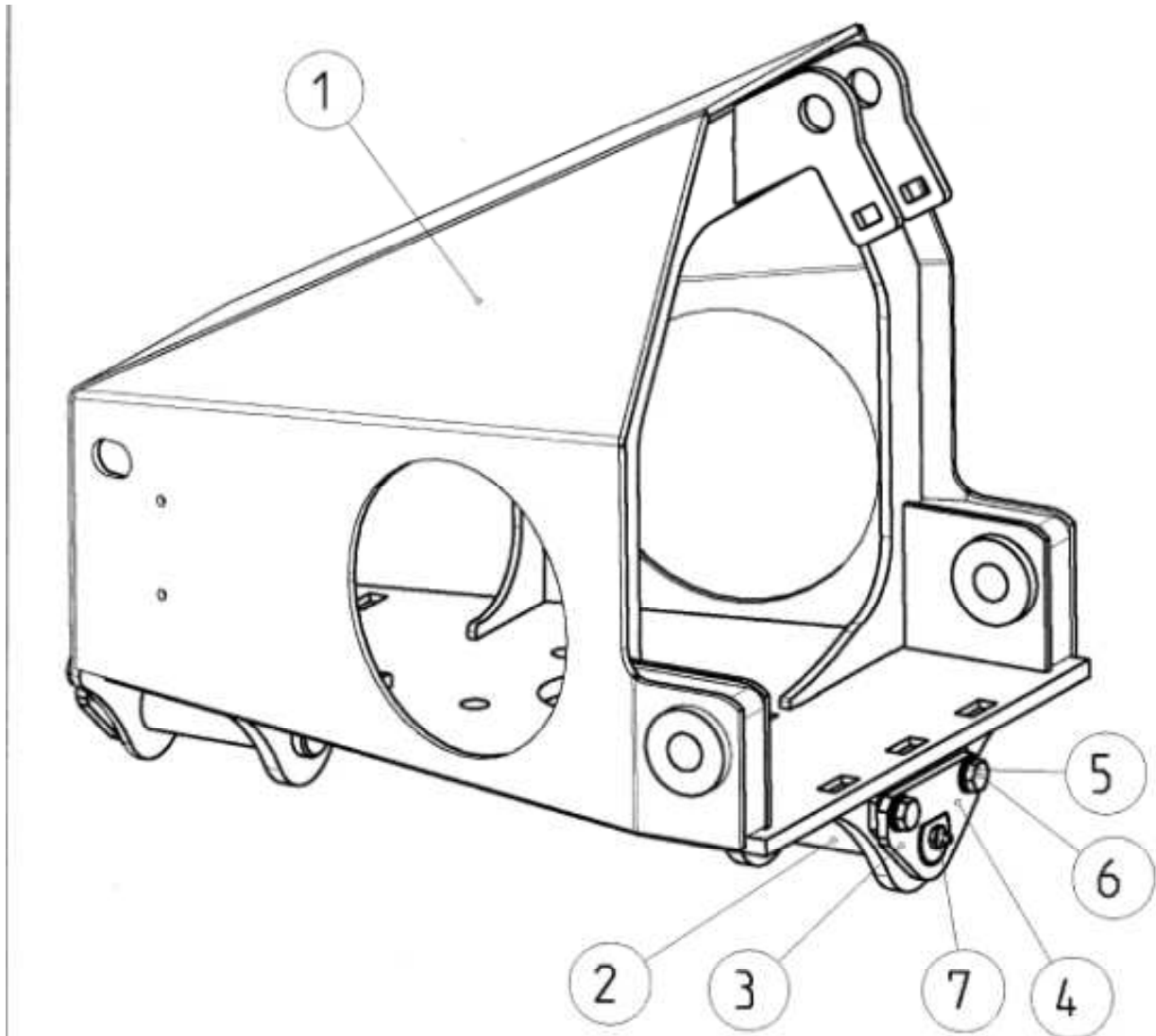
Section I Adaptor Bottom:



Ref.	Part No.	Quantity	English Description	German Description	comment
1	8531501.0	1	adapter bottom	Adapter Unten	100190
2	8531001.0	4	clamp	Klammerblech	100143
3	125B162	32	washer	Scheibe	100059
4	931160602	16	hexagon head screw	Sechskantschraube	100055
5	985162	16	hexagon nut	Sechskantmutter	100057
6	8534002.0	4	bearing	Lager	100211

Trident 7600HD

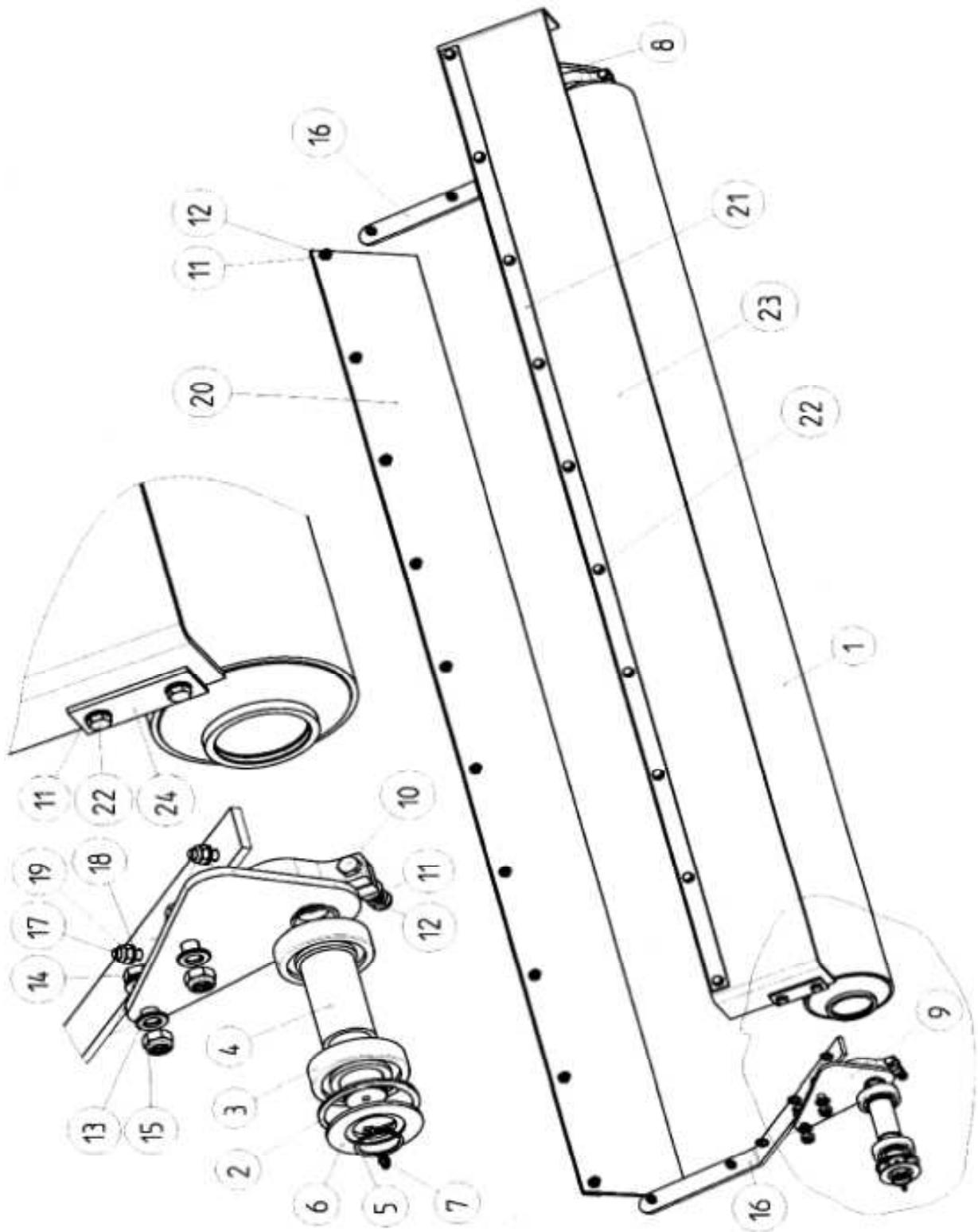
Section I Adaptor Top:



Ref.	Part No.	Quantity	English Description	German Description	comment
1	8531502.0	1	adapter top	Adapter Oben	100200
2	8531002.0	2	bolt	Bolzen	100213
3	2777514	2	circlip	Sicherungsring	100226
4	8531003.0	2	plate	Blech	100214
5	125B122	4	washer	Scheibe	100058
6	933120252	4	hexagon head screw	Sechskantschraube	100013
7	8532001.0	2	grease nipple	Schmiernippel	100459

Trident 7600HD

Section I General Parts:



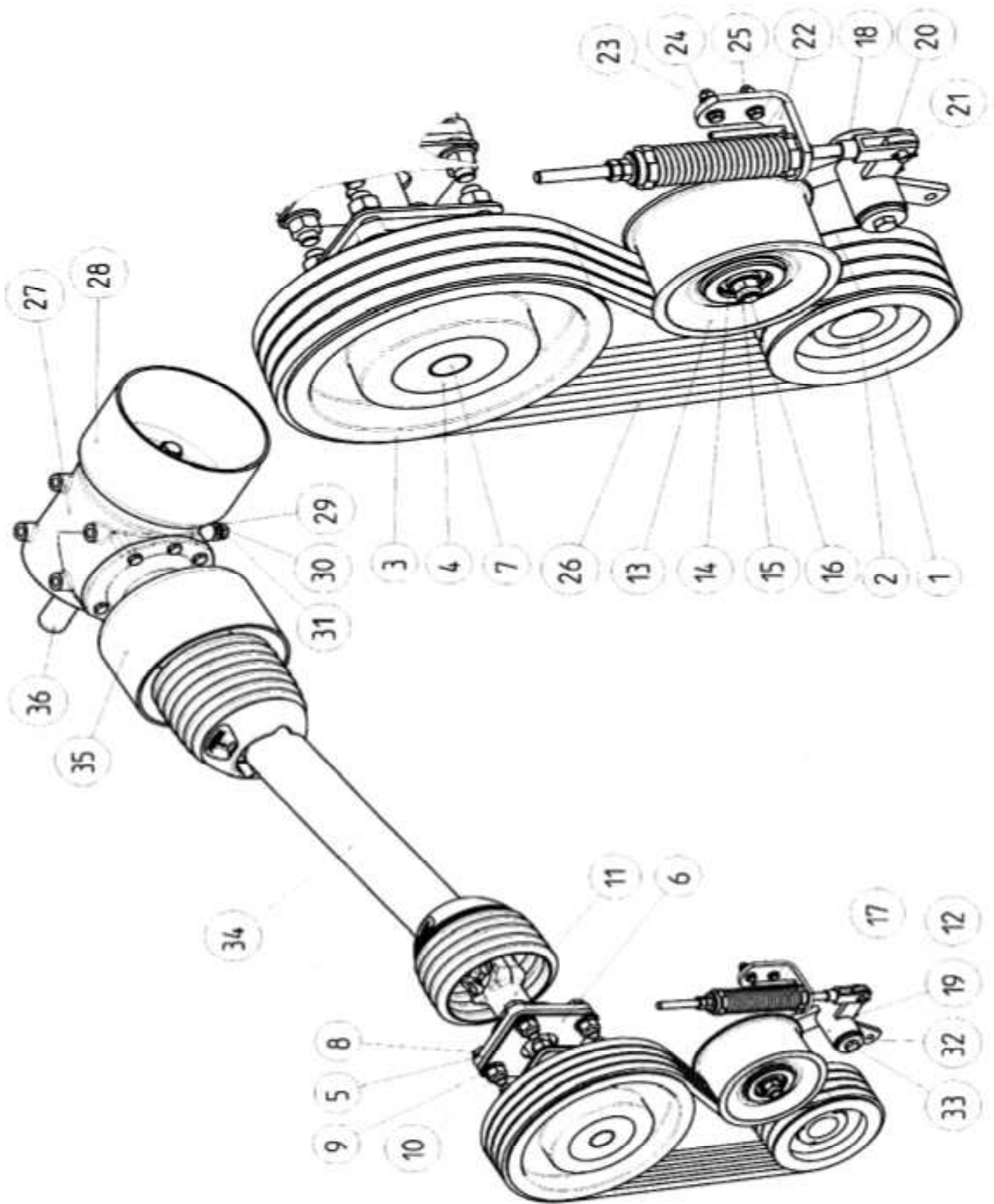
Trident 7600HD

Section I General Parts:

Ref.	Part No.	Quantity	English Description	German Description	comment
1	SA02007	1	Tube cpl.	Rohr kpl.	100045
2	2771109	2	Locking ring	Sicherungsring	100048
3	4770872S	4	Ball bearing	Rillenkugellager	100049
4	1772305	2	shaft	Welle	100050
5	2777512	4	Locking ring	Sicherungsring	100051
6	1772306	2	washer	Scheibe	100053
7	2770468	2	Lubricating head	Kegelschmiernippel	100052
8	1772307R	1	Roller flange right	Rollenflansch rechts	100024
9	1772307	1	Roller flange left	Rollenflansch links	100023
10	2770450	2	Hexagon head screw	Sechskantschraube	100054
11	2770436	50	washer	Unterlegscheibe	100058
12	2770574	26	Hexagon nut	Sechskantmutter	100056
13	2770454	8	washer	Unterlegscheibe	100059
14	2770425	4	Hexagon head screw	Sechskantschraube	100055
15	2770447	4	Hexagon head nut	Sechskantmutter	100057
16	1772309	2	Side skip	Seitenkufe	100040
17	2770422	10	Flat head screw	Senkschraube	100062
18	2770434	10	washer	Unterlegscheibe	100060
19	2770412	10	Hexagon head nut	Sechskantmutter	100061
20	8400199	1	rubber	Gummi	100066
21	1772310	2	Clamping lug	Klemmleiste	100065
22	2770396	24	Hexagon head screw	Sechskantschraube	100067
23	8558008.0	1	rubber	Gummi	100296
24	8551007.0	2	plate	Platte	100307

Trident 7600HD

Section I Driveline:



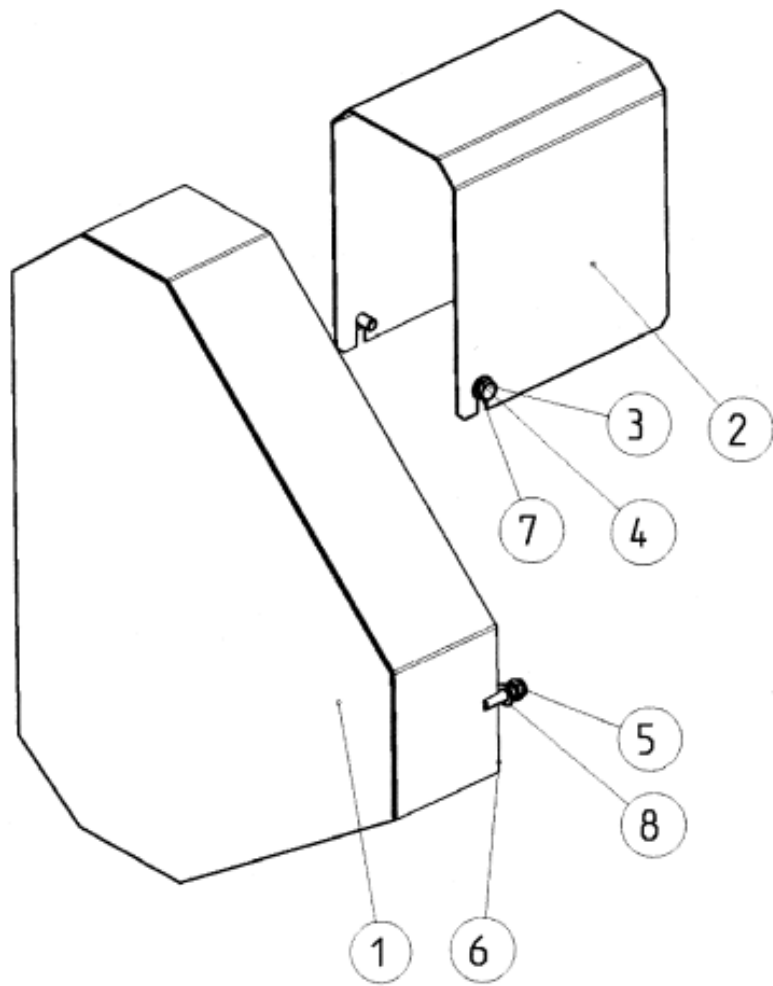
Trident 7600HD

Section I Driveline:

Ref.	Part No.	Quantity	English Description	German Description	comment
1	8554009.0	1	pulley	Riemenscheibe	100071
2	8554010.0	1	taper lock	Taper Lock	100244
3	8554011.0	1	pulley	Riemenscheibe	100120
4	8554012.0	1	taper lock	Taper Lock	100016
5	8554002.0	2	bearing	Flanschlager	100163
6	8531004.0	2	plate	Platte	100159
7	8531006.0	1	shaft	Welle	
Achtung ! Pos. 7 bis Seriennummer: S082099 = Part No. 8531015.0					
Attention ! Item 7 till serial number S082099 = part No. 8531015.0					
8	933180602	8	hexagon head screw	Sechskantschraube	100251
9	125B182	8	washer	Scheibe	100252
10	985182	8	hexagon head nut	Sechskantmutter	100253
11	11401208050	2	flat key	Passfeder	100247
12	8531503.1	1	belt arm	Spannhebel	100246
Achtung ! Pos. 12 bis Seriennummer: S082099 = Part No. 8531503.0					
Attention ! Item 12 till serial number S082099 = part No. 8531503.0					
13	8554007.0	1	belt pulley	Spannrolle	100014
14	7349162	1	washer	Scheibe	100234
15	2770447	1	hexagon nut	Sechskantmutter	100057
16	2770399	1	hexagon head screw	Sechskantschraube	100228
17	8538001.0	1	cylinder	Zugzylinder	100015
18	8534003.0	2	bearing	Lager	100229
Achtung ! Pos. 18 bis Seriennummer: S082099 = Part No. 8554005.0					
Attention ! Item 18 till serial number S082099 = part No. 8554005.0					
19	2770468	1	grease nipple	Schmiernippel	100052
20	8551004.0	1	bolt	Bolzen	100239
21	8551005.0	1	pin	Splint	100240
22	8551002.0	1	angle	Winkel	100075
23	125B082	4	washer	Scheibe	100242

Trident 7600HD

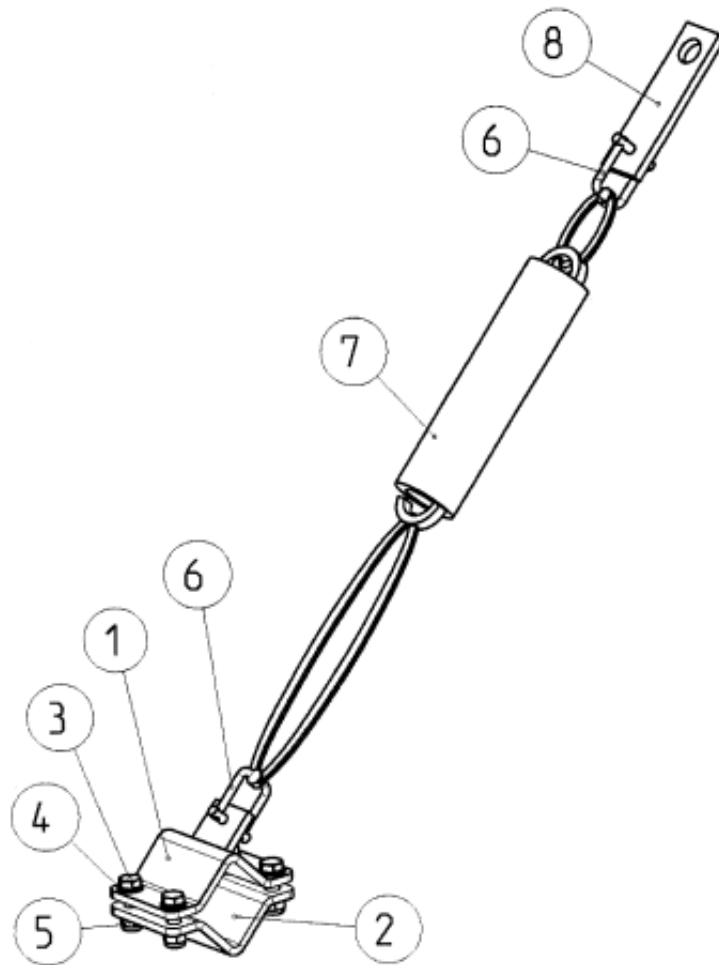
Section I Guards:



Ref.	Part No.	Quantity	English Description	German Description	comment
1	8531504.0	1	cover	Deckel	100390
2	8531505.0	1	safety housing	Schutzkasten	101259
3	933100252	2	hexagon head screw	Sechskantschraube	100295
4	9021100252	2	washer	Unterlegscheibe Groß	100058
5	985102	2	hexagon head nut	Sechskantmutter	100056
6	8558007.0	1	sealing	Dichtung	100293
7	127B102	2	snap ring	Federring	
8	125B102	2	washer	Unterlegscheibe	

Trident 7600HD

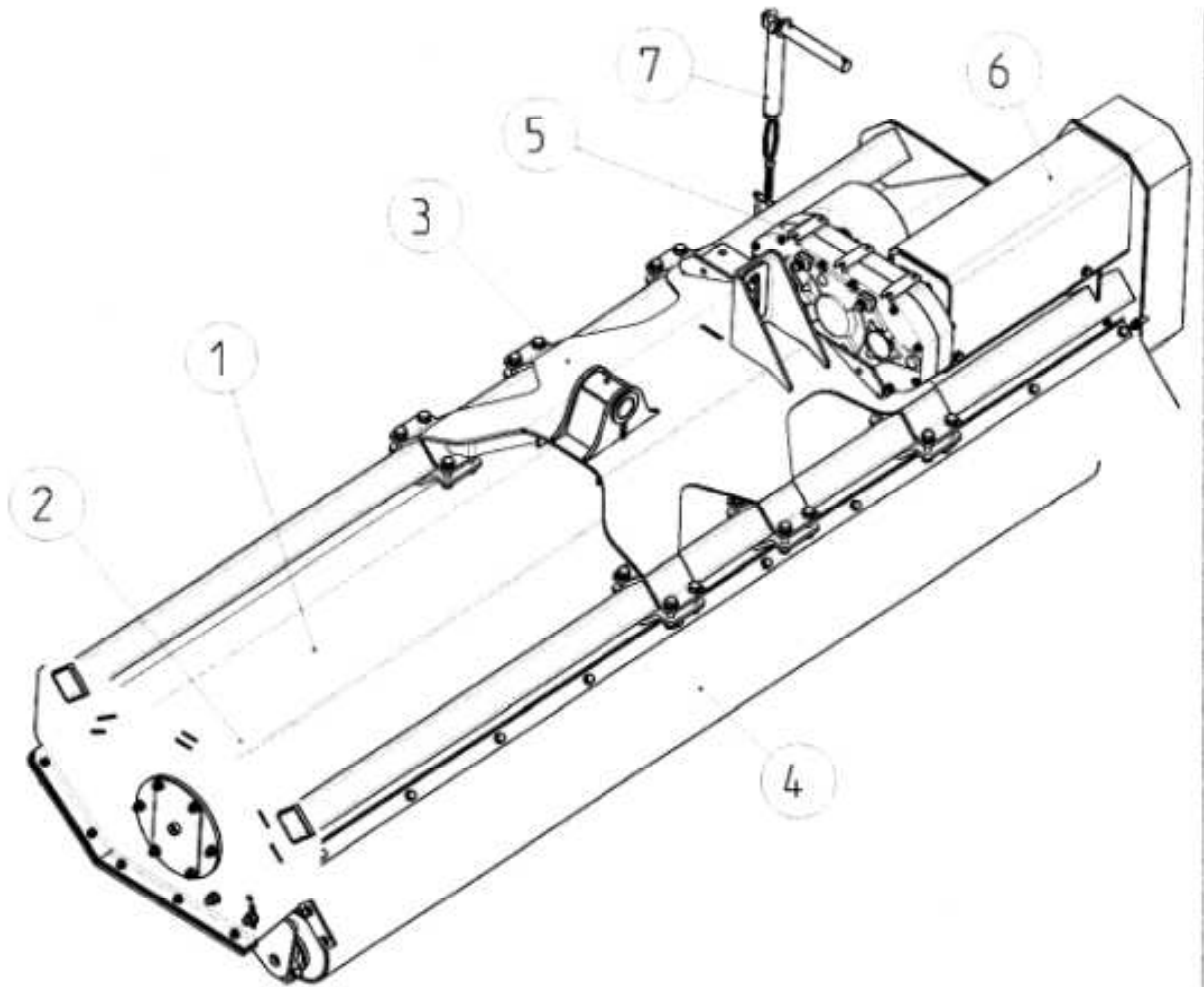
Section I Relieving Spring:



Ref.	Part No.	Quantity	English Description	German Description	comment
1	8531510.0	1	clamp top	Klammerblech Oben	100463
2	8501001.0	1	clamp	Klammer	100143
3	931130602	4	hexagon head screw	Sechskantschraube	100055
4	125B162	8	washer	Unterlegscheibe	100059
5	985162	4	hexagon head nut	Sechskantmutter	100057
6	1562221011	2	shackle	Schekel	
7	8536001.0	1	spring cpl.	Feder kpl.	100461
8	8531014.0	1	plate	Platte	100396

Trident 7600HD

Section 2 Overview:



Ref.	page	Quantity	English Description	German Description	comment
1		1	mower housing	Mulchergehäuse	
2	17 - 18	1	rotor cpl.	Rotor kpl.	
3	19	1	adapter	Adapter	
4	20 - 21	1	general parts	Allgemeinteile	
5	22 - 24	1	drive line cpl.	Antrieb kpl.	
6	25	1	guard cpl.	Schutz kpl.	
7	26	1	relieving spring	Federentlastung	

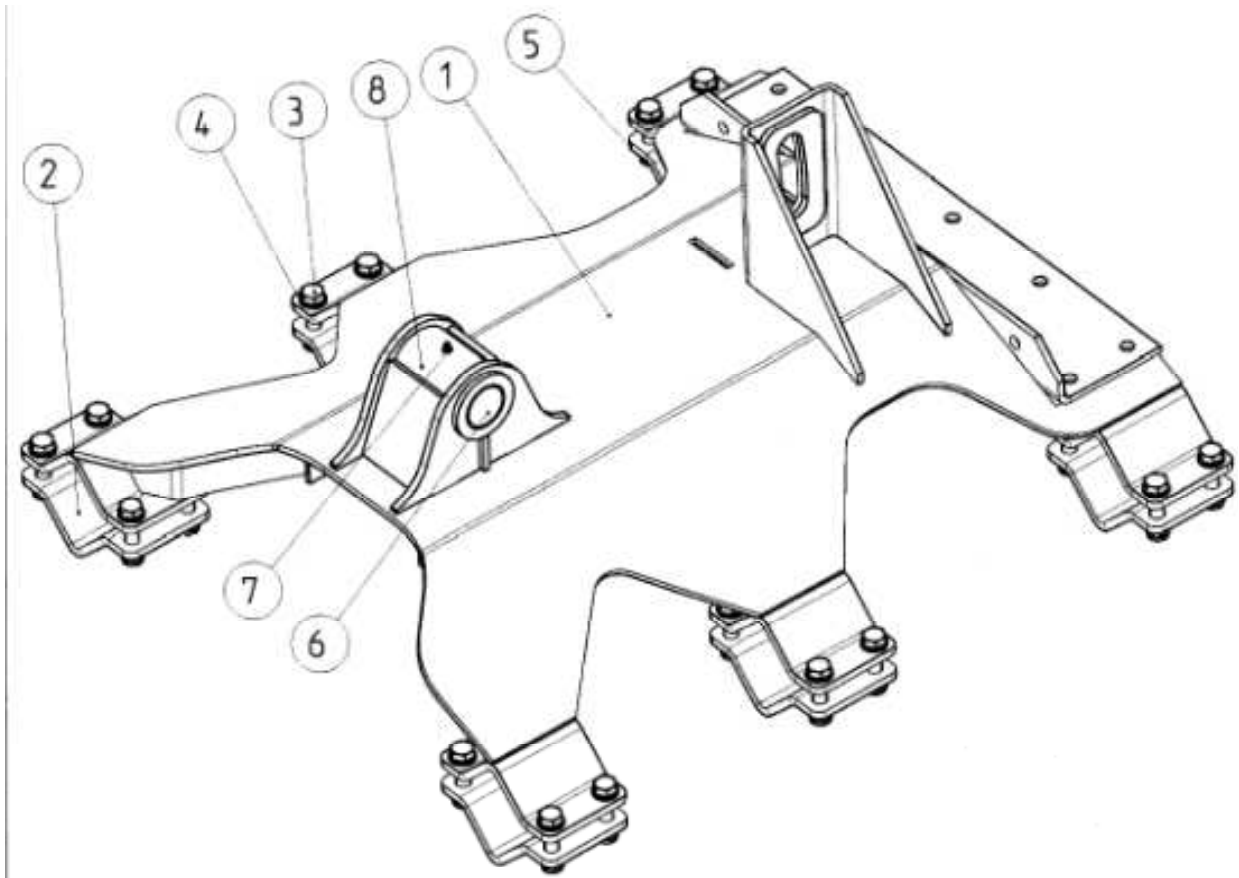
Trident 7600HD

Section 2 Rotor:

Ref.	Part No.	Quantity	English Description	German Description	comment
1	4771511	1	Shaft seal	Weellendichtring	100105
2	2770447	12	Nut	Sechskantmutter	100056
3	2770454	12	Washer	Unterlegscheibe	100058
4	2770467	2	Grease nipple	Schmiernippel	100094
5	1772311A	1	bracket	Konsole	100102
6	2770397	12	bolt	Sechskantschraube	100097
7	1772302A	1	housing	Gehäuse	100098
8	4770892	1	bearing	Lager	100099
9	2771611	1	circlip	Sicherungsring	100104
10	4771122	1	sealing	Dichtung	100020
11	SA00155	1	rotor 2,80 m cpl.	Rotor 2,80 m kpl.	100135
12	2770600	66	bolt	Sechskantschraube	100017
13	1777721	132	bush	Buchse	100019
14	2770601	66	Nut	Sechskantmutter	100018
15	7770699	66	flail	Schlegel	100112
16	2771610	1	circlip	Sicherungsring	100095
17	4770891	1	bearing	Lager	100090
18	4771122	1	sealing	Dichtung	100020
19	1777850	1	washer	Scheibe	100088
20	2770461	1	countersink	Senkschraube	100134
21	1777312A	1	cover	Deckel	100096
22	1772303A	1	housing	Gehäuse	100089
Achtung ! Bei ET – Bestellung Rotor bitte Angabe der Sektion !!!					
Attention ! Spare part Order rotor cpl. short info about the section !!!					

Trident 7600HD

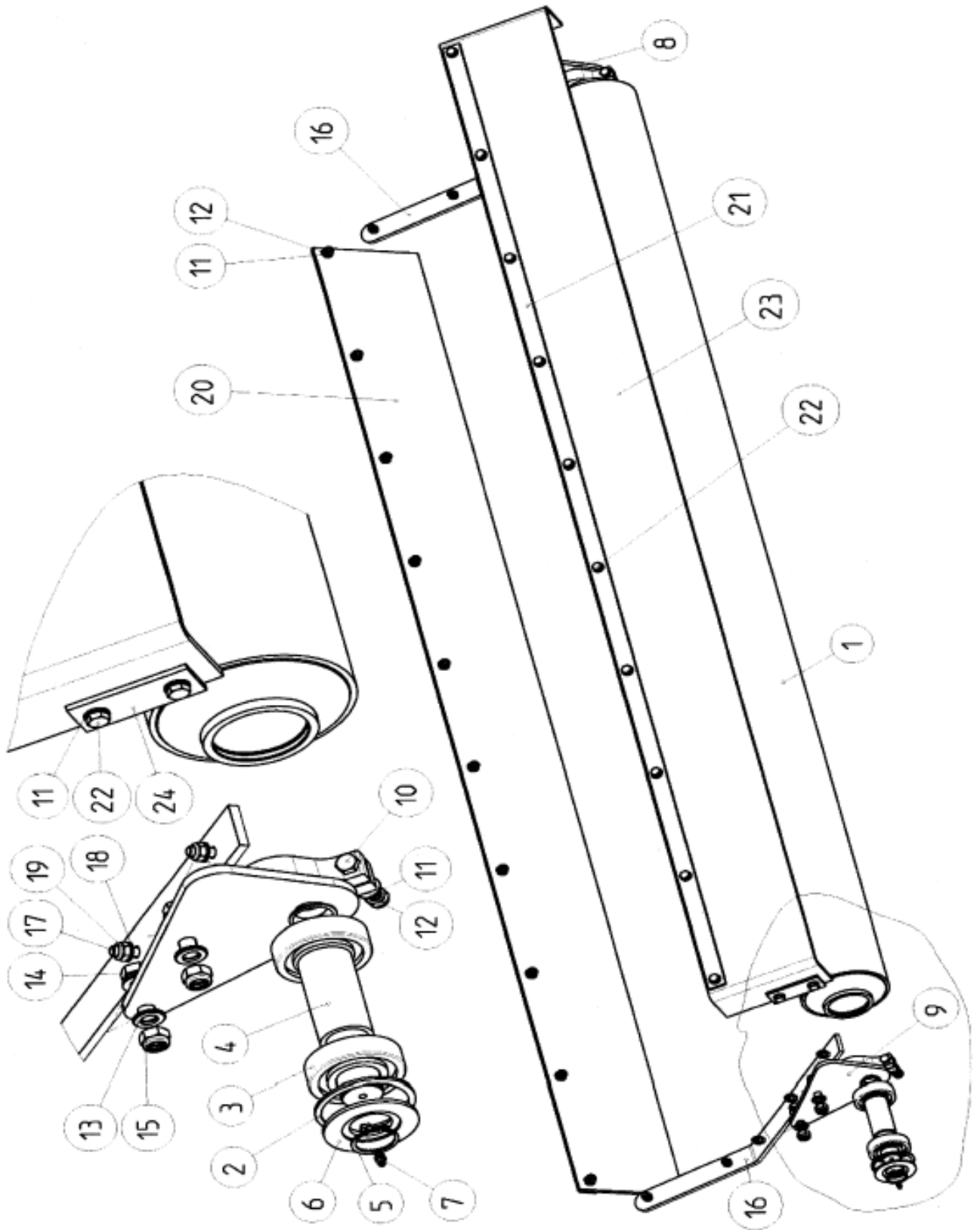
Section 2 Adaptor Bracket:



Ref.	Part No.	Quantity	English Description	German Description	comment
1	8531506.0	1	adapter	Adapter	100168
2	8531001.0	6	clamp	Klammer	100143
3	931130602	24	hexagon head screw	Sechskantschraube	100055
4	125B162	48	washer	Unterlegscheibe	100059
5	985162	24	hexagon head nut	Sechskantmutter	100057
6	8534001.0	2	friction bearing	Gleitlager	100177
7	2770468	1	lubricating head	Schmiernippel	100052
8	8552002.0	2	Spring ring	Rundring	100464

Trident 7600HD

Section 2 General Parts:



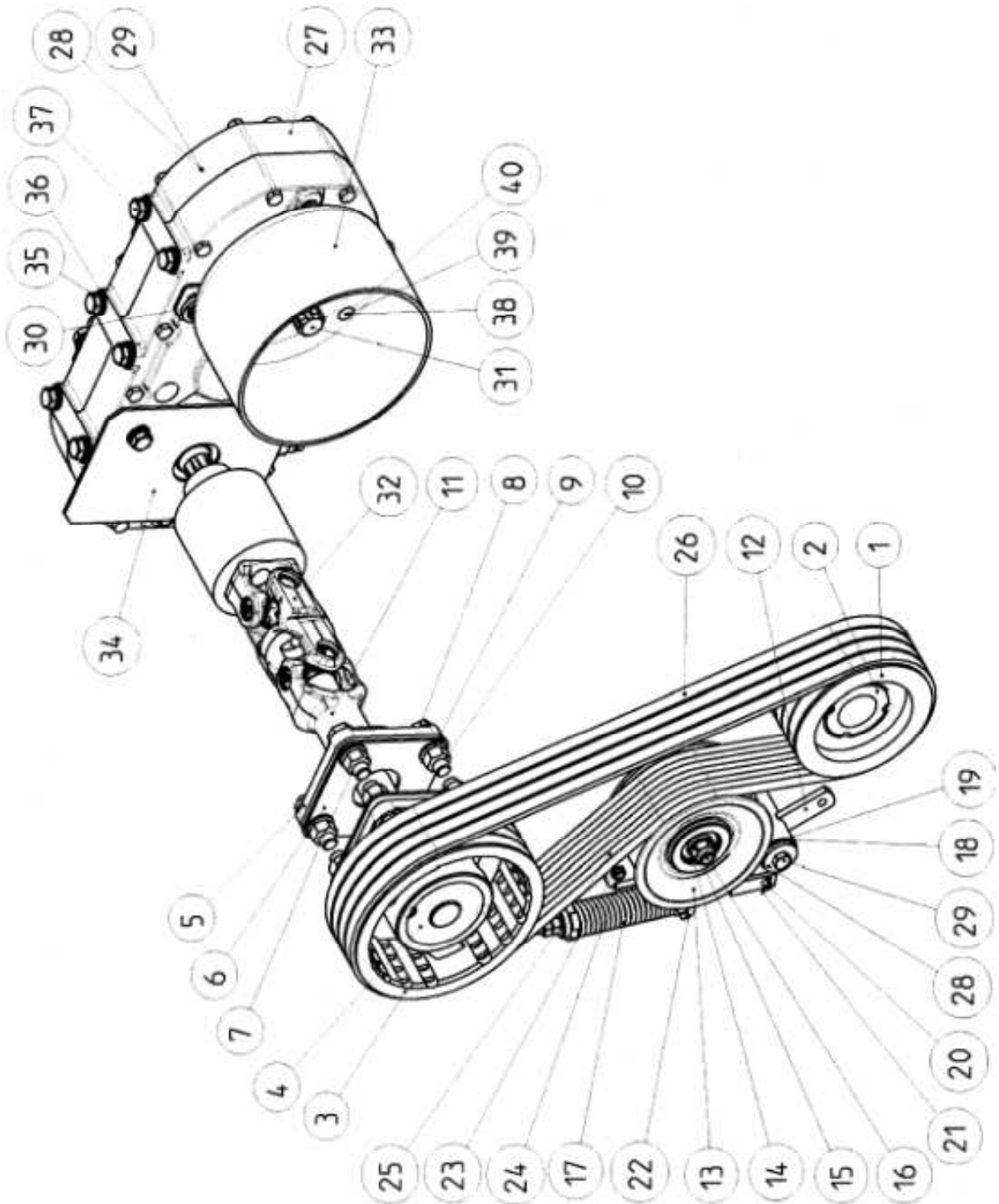
Trident 7600HD

Section 2 General Parts:

Ref.	Part No.	Quantity	English Description	German Description	comment
1	SA02007	1	Tube cpl.	Rohr kpl.	100045
2	2771109	2	Locking ring	Sicherungsring	100048
3	4770872S	4	Ball bearing	Rillenkugellager	100049
4	1772305	2	shaft	Welle	100050
5	2777512	4	Locking ring	Sicherungsring	100051
6	1772306	2	washer	Scheibe	100053
7	2770468	2	Lubricating head	Kegelschmiernippel	100052
8	1772307R	1	Roller flange right	Rollenflansch rechts	100024
9	1772307	1	Roller flange left	Rollenflansch links	100023
10	2770450	2	Hexagon head screw	Sechskantschraube	100054
11	2770436	50	washer	Unterlegscheibe	100058
12	2770574	26	Hexagon nut	Sechskantmutter	100056
13	2770454	8	washer	Unterlegscheibe	100059
14	2770425	4	Hexagon head screw	Sechskantschraube	100055
15	2770447	4	Hexagon head nut	Sechskantmutter	100057
16	1772309	2	Side skip	Seitenkufe	100040
17	2770422	10	Flat head screw	Senkschraube	100062
18	2770434	10	washer	Unterlegscheibe	100060
19	2770412	10	Hexagon head nut	Sechskantmutter	100061
20	8400199	1	rubber	Gummi	100066
21	1772310	2	Clamping lug	Klemmleiste	100065
22	2770396	24	Hexagon head screw	Sechskantschraube	100067
23	8558008.0	1	rubber	Gummi	100296
24	8551007.0	2	plate	Platte	100307

Trident 7600HD

Section 2 Driveline:



Trident 7600HD

Section 2 Driveline:

Ref.	Part No.	Quantity	English Description	German Description	Comment
1	8554009.0	1	pulley	Riemenscheibe	100071
2	8554010.0	1	taper lock	Taper Lock	100244
3	8554013.0	1	pulley	Riemenscheibe	100162
4	8554014.0	1	taper lock	Taper Lock	100245
5	8554002.0	2	bearing	Flanschlager	100163
6	8531004.0	2	plate	Platte	100159
7	8531007.0	1	shaft	Welle	100167
Achtung ! Pos. 7 bis Seriennummer: S082099 = Part No. 8531016.0					
Attention ! Item 7 till serial number S082099 = part No. 8531016.0					
8	933180602	8	hexagon head screw	Sechskantschraube	100251
9	125B182	8	washer	Scheibe	100252
10	985182	8	hexagon head nut	Sechskantmutter	100253
11	11401208050	1	flat key	Passfeder	100247
12	8531503.1	1	belt arm	Spannhebel	100246
Achtung ! Pos. 12 bis Seriennummer: S082099 = Part No. 8531503.0					
Attention ! Item 12 till serial number S082099 = part No. 8531503.0					
13	8554007.0	1	belt pulley	Spannrolle	100014
14	7349162	1	washer	Scheibe	100234
15	2770447	1	hexagon nut	Sechskantmutter	100057
16	2770399	1	hexagon head screw	Sechskantschraube	100228
17	8538001.0	1	cylinder	Zugzylinder	100015
18	8534003.0	2	bearing	Lager	100229
Achtung ! Pos. 18 bis Seriennummer: S082099 = Part No. 8554005.0					
Attention ! Item 18 till serial number S082099 = part No. 8554005.0					
19	2770468	1	grease nipple	Schmiernippel	100052
20	8551004.0	1	bolt	Bolzen	100239
21	8551005.0	1	pin	Splint	100240
22	8551002.0	1	angle	Winkel	100075
23	125B082	8	washer	Scheibe	100242

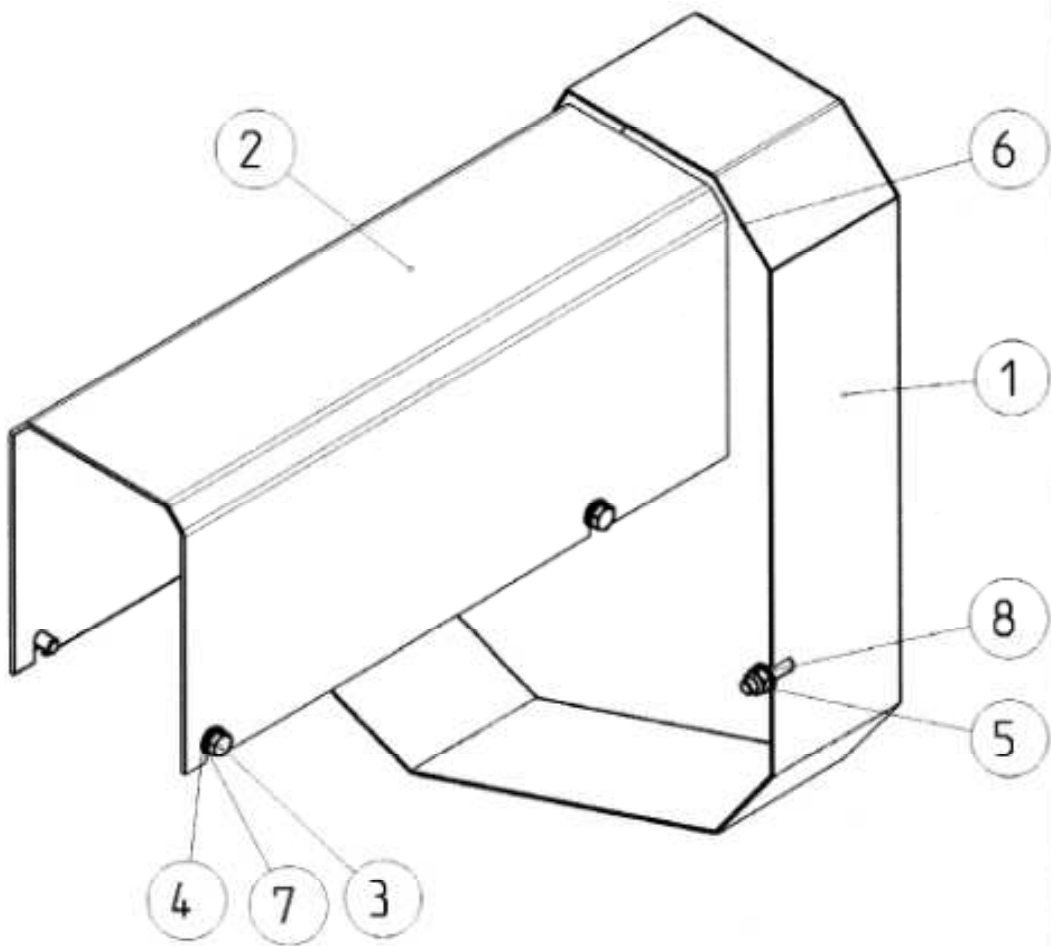
Trident 7600HD

Section 2 Driveline:

Ref.	Part No.	Quantity	English Description	German Description	Comment
24	2770421	2	hexagon head screw	Sechskantschraube	100241
25	985082	2	hexagon head nut	Sechskantmutter	100243
26	8554008.0	4	belt	Riemen	100255
27	8555007.0	1	gearbox	Getriebe	100156
28	1777209	2	washer	Scheibe	100294
29	2770506	2	Flat head screw	Senkschraube	
30	8531008.0	1	plate	Schutzplatte	100164
31	8531009.0	1	shaft	Welle	100284
32	8535015.0	1	drive shaft	Starre Welle	
33	8535007.0	1	connection shield	Schutztopf kpl.	100369
34	8531010.0	1	plate	Verschlussblech	100176
35	127B142	18	locking ring	Federring	100250
36	125B142	18	washer	Unterlegscheibe	100249
37	933140302	18	hexagon head screw	Sechskantschraube	100173
38	933080162	4	Hexagon head screw	Sechskantschraube	
39	125B082	4	Washer	Scheibe	
40	2770433	4	Locking ring	Federring	

Trident 7600HD

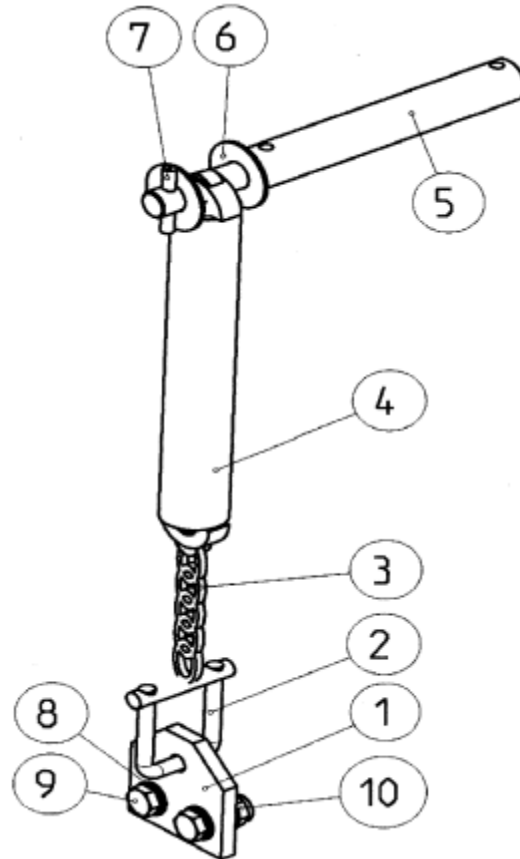
Section 2 Guards:



Ref.	Part No.	Quantity	English Description	German Description	comment
1	8531507.0	1	cover	Deckel	100390
2	8531011.0	1	safety housing	Schutzkasten	101259
3	933100252	2	hexagon head screw	Sechskantschraube	100295
4	9021100252	2	washer	Unterlegscheibe Groß	100058
5	985102	2	hexagon head nut	Sechskantmutter	100056
6	8558007.0	1	sealing	Dichtung	100293
7	127B102	2	snap ring	Federring	
8	125B102	2	washer	Unterlegscheibe	

Trident 7600HD

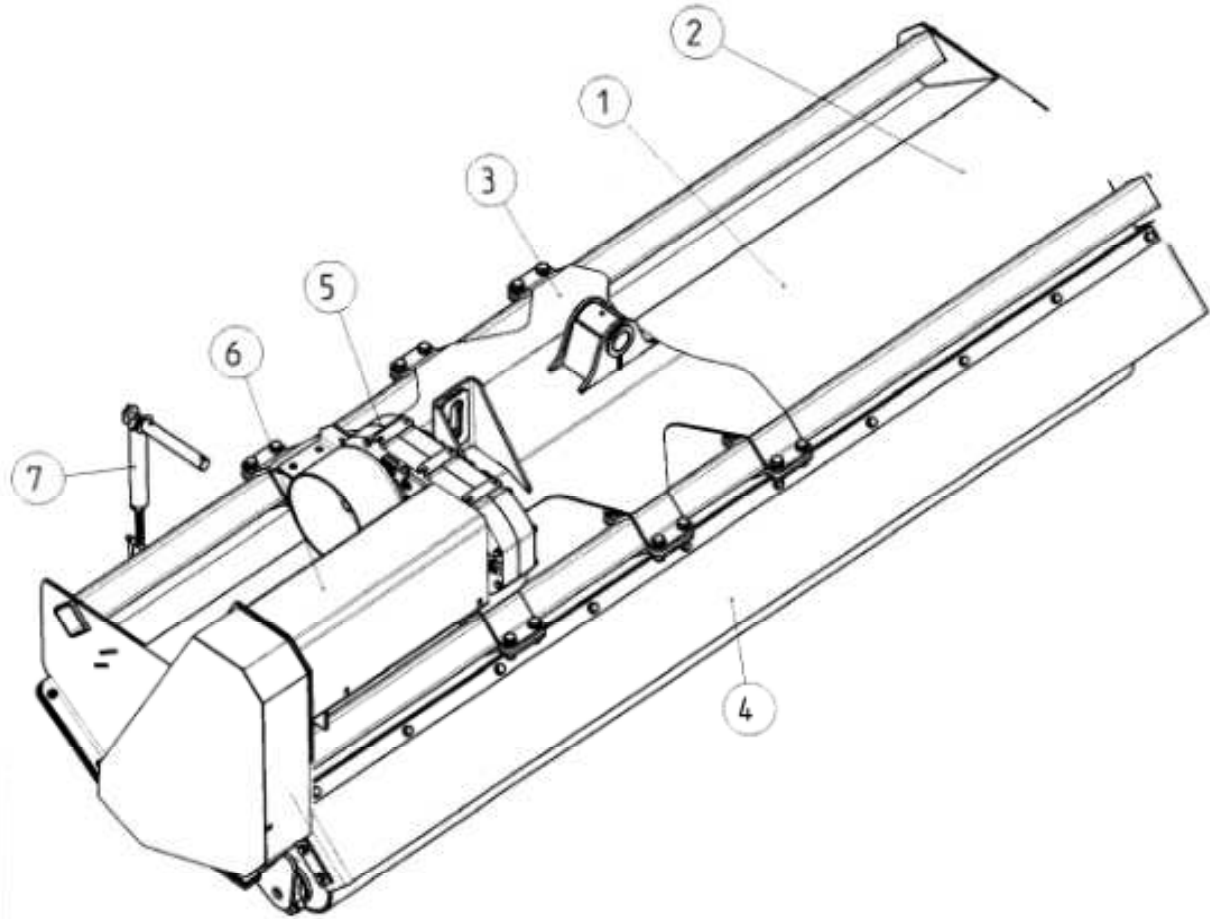
Section 2 and 3 Relieving Spring :



Ref.	Part No.	Quantity	English Description	German Description	comment
1	8531013.0	1	plate	Platte	100395
2	1562221010	1	shackle	Schekel	
3	8770621	1	chain	Kette	
4	8536002.0	1	spring	Feder	
5	8531012.0	1	bolt	Bolzen	100397
6	125B202	2	washer	Scheibe	
7	1113080050	2	locking pin	Spannstift	
8	2770436	4	washer	Unterlegscheibe	
9	2770396	2	hexagon head screw	Sechskantschraube	
10	2770574	2	hexagon head nut	Sechskantmutter	

Trident 7600HD

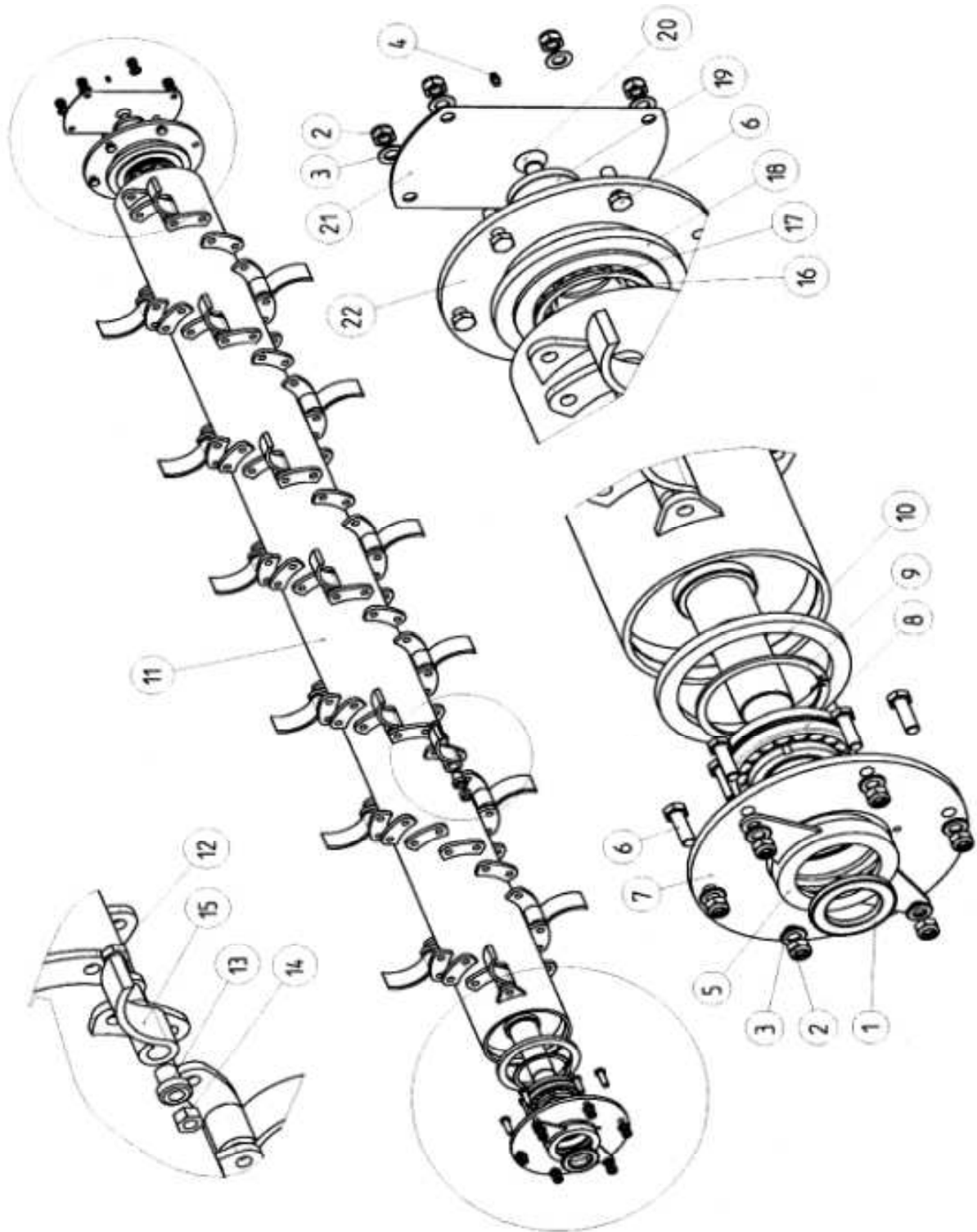
Section 3 Overview:



Ref.	page	Quantity	English Description	German Description	comment
1		1	mower housing	Mulchergehäuse	
2	28 - 29	1	rotor cpl.	Rotor kpl.	
3	30	1	adapter	Adapter	
4	31 - 32	1	general parts	Allgemeinteile	
5	33 - 35	1	drive line cpl.	Antrieb kpl.	
6	36	1	guard cpl.	Schutz kpl.	
7	37	1	relieving spring	Federentlastung	

Trident 7600HD

Section 3 Rotor:



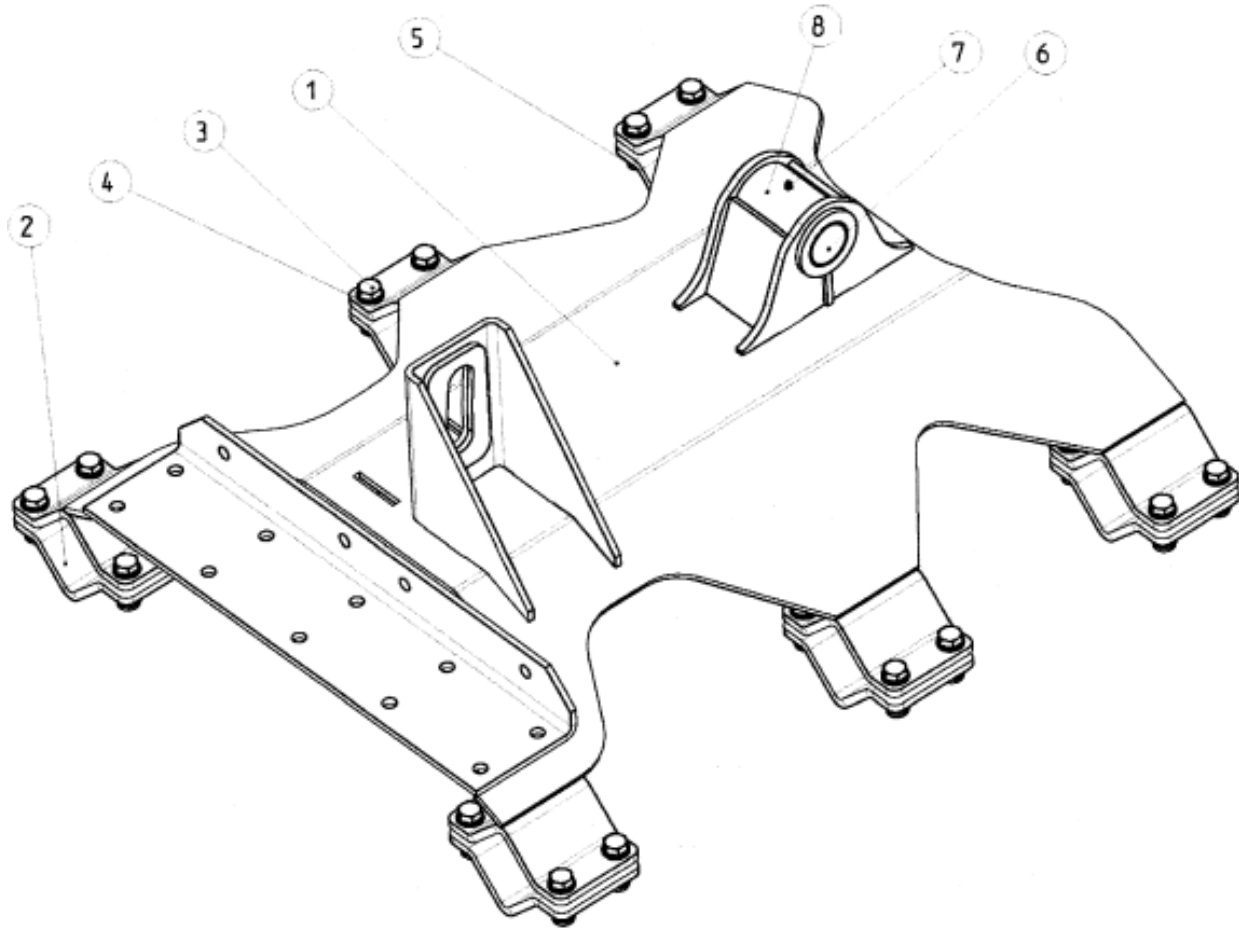
Trident 7600HD

Section 3 Rotor:

Ref.	Part No.	Quantity	English Description	German Description	comment
1	4771511	1	Shaft seal	Wellendichtring	100105
2	2770447	12	Nut	Sechskantmutter	100056
3	2770454	12	Washer	Unterlegscheibe	100058
4	2770467	2	Grease nipple	Schmiernippel	100094
5	1772311A	1	bracket	Konsole	100102
6	2770397	12	bolt	Sechskantschraube	100097
7	1772302A	1	housing	Gehäuse	100098
8	4770892	1	bearing	Lager	100099
9	2771611	1	circlip	Sicherungsring	100104
10	4771122	1	sealing	Dichtung	100020
11	SA00155	1	rotor 2,80 m cpl.	Rotor 2,80 m kpl.	100135
12	2770600	66	bolt	Sechskantschraube	100017
13	1777721	132	bush	Buchse	100019
14	2770601	66	Nut	Sechskantmutter	100018
15	7770699	66	flail	Schlegel	100112
16	2771610	1	circlip	Sicherungsring	100095
17	4770891	1	bearing	Lager	100090
18	4771122	1	sealing	Dichtung	100020
19	1777850	1	washer	Scheibe	100088
20	2770461	1	countersink	Senkschraube	100134
21	1777312A	1	cover	Deckel	100096
22	1772303A	1	housing	Gehäuse	100089
Achtung ! Bei ET – Bestellung Rotor bitte Angabe der Sektion !!!					
Attention ! Spare part Order rotor cpl. short info about the section !!!					

Trident 7600HD

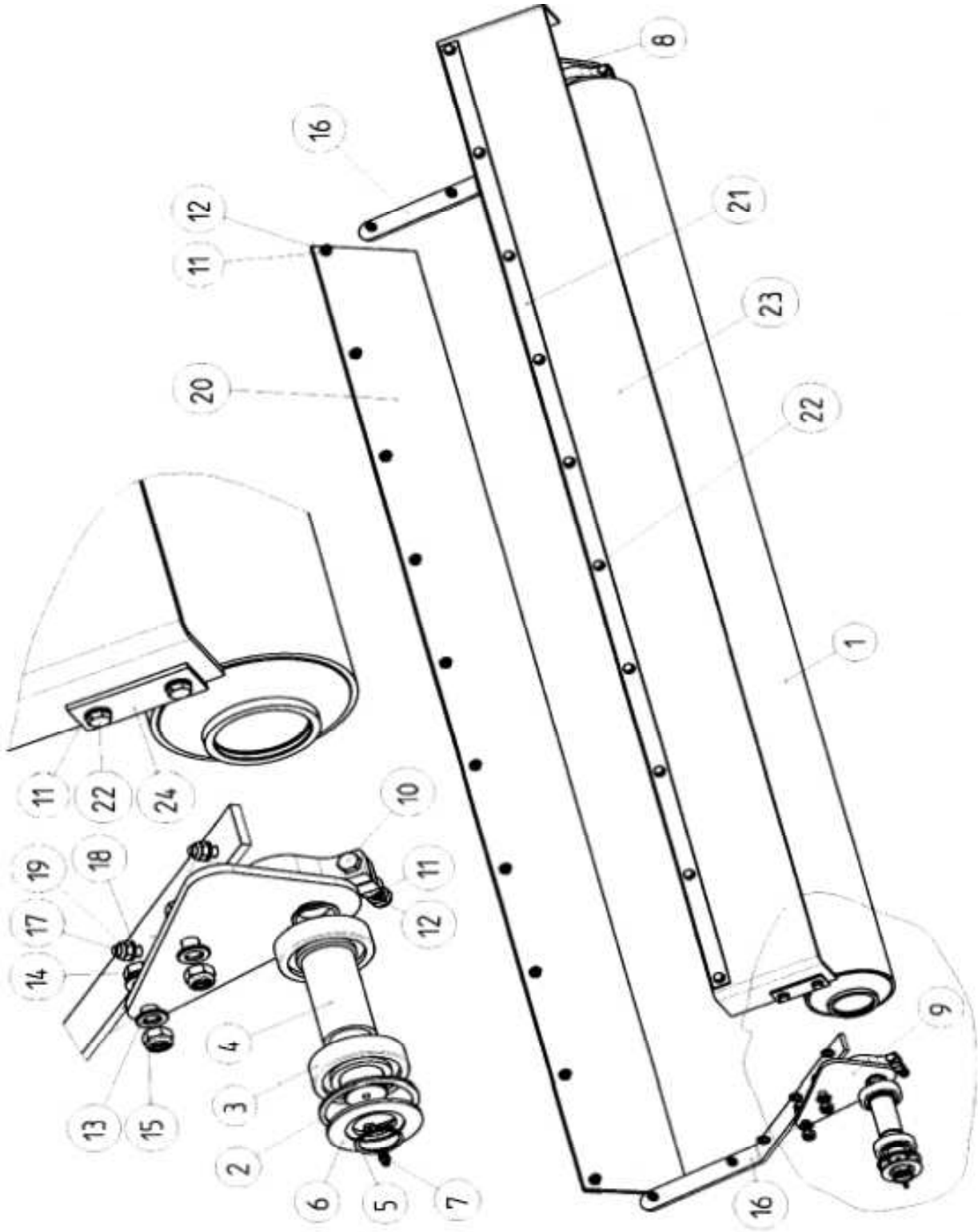
Section 3 Adaptor Bracket:



Ref.	Part No.	Quantity	English Description	German Description	comment
1	8531514.0	1	adapter	Adapter	100165
2	8531001.0	6	clamp	Klammer	100143
3	931130602	24	hexagon head screw	Sechskantschraube	100055
4	125B162	48	washer	Unterlegscheibe	100059
5	985162	24	hexagon head nut	Sechskantmutter	100057
6	8534001.0	2	friction bearing	Gleitlager	100177
7	2770468	1	lubricating head	Schmiernippel	100052
8	8552002.0	2	Spring ring	Rundring	100464

Trident 7600HD

Section 3 General Parts:



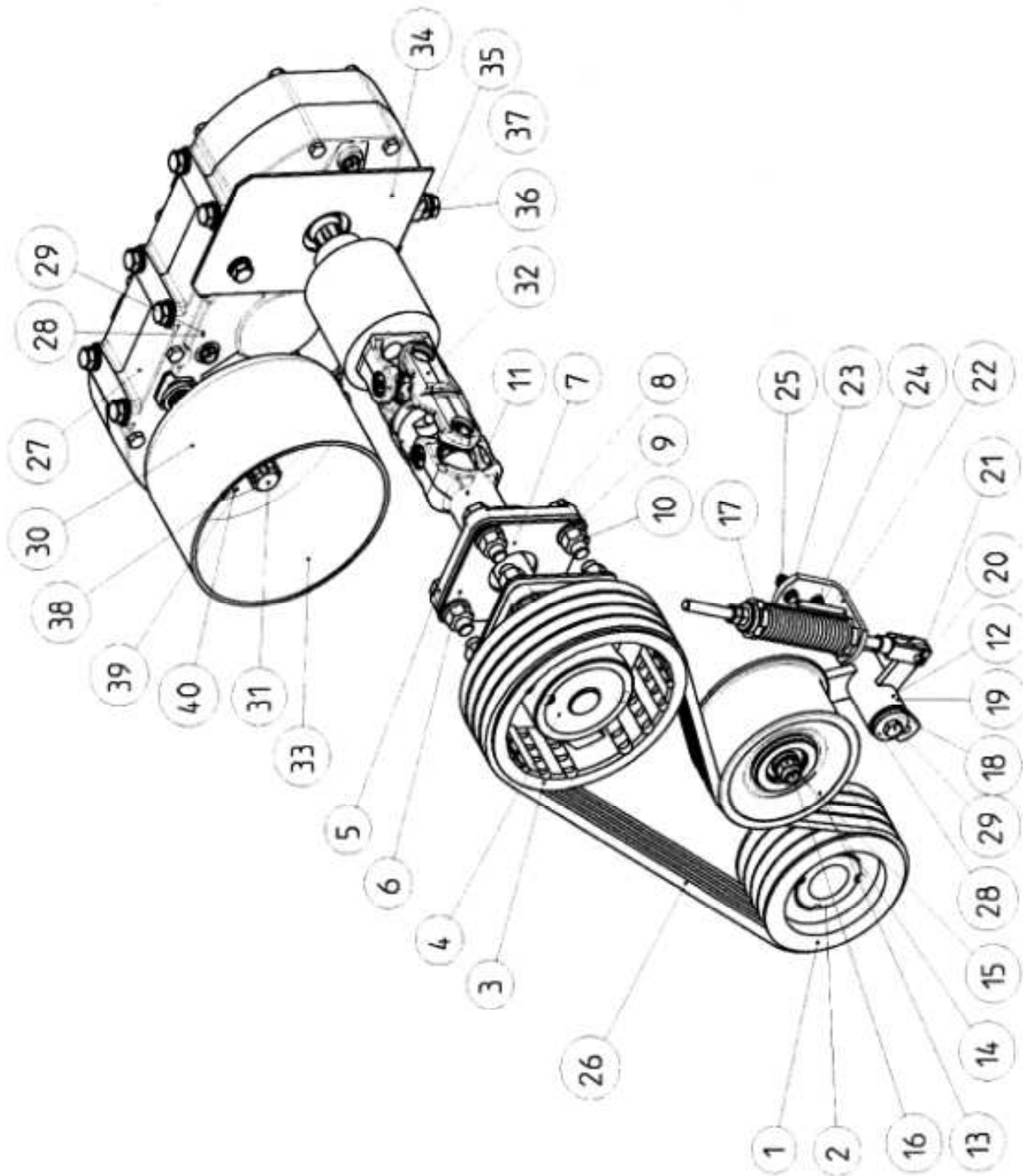
Trident 7600HD

Section 3 General Parts:

Ref.	Part No.	Quantity	English Description	German Description	comment
1	SA02007	1	Tube cpl.	Rohr kpl.	100045
2	2771109	2	Locking ring	Sicherungsring	100048
3	4770872S	4	Ball bearing	Rillenkugellager	100049
4	1772305	2	shaft	Welle	100050
5	2777512	4	Locking ring	Sicherungsring	100051
6	1772306	2	washer	Scheibe	100053
7	2770468	2	Lubricating head	Kegelschmiernippel	100052
8	1772307R	1	Roller flange right	Rollenflansch rechts	100024
9	1772307	1	Roller flange left	Rollenflansch links	100023
10	2770450	2	Hexagon head screw	Sechskantschraube	100054
11	2770436	50	washer	Unterlegscheibe	100058
12	2770574	26	Hexagon nut	Sechskantmutter	100056
13	2770454	8	washer	Unterlegscheibe	100059
14	2770425	4	Hexagon head screw	Sechskantschraube	100055
15	2770447	4	Hexagon head nut	Sechskantmutter	100057
16	1772309	2	Side skip	Seitenkufe	100040
17	2770422	10	Flat head screw	Senkschraube	100062
18	2770434	10	washer	Unterlegscheibe	100060
19	2770412	10	Hexagon head nut	Sechskantmutter	100061
20	8400199	1	rubber	Gummi	100066
21	1772310	2	Clamping lug	Klemmleiste	100065
22	2770396	24	Hexagon head screw	Sechskantschraube	100067
23	8558008.0	1	rubber	Gummi	100296
24	8551007.0	2	plate	Platte	100307

Trident 7600HD

Section 3 Driveline:



Trident 7600HD

Section 3 Driveline:

Ref.	Part No.	Quantity	English Description	German Description	Comment
1	8554009.0	1	pulley	Riemenscheibe	100071
2	8554010.0	1	taper lock	Taper Lock	100244
3	8554013.0	1	pulley	Riemenscheibe	100162
4	8554014.0	1	taper lock	Taper Lock	100245
5	8554002.0	2	bearing	Flanschlager	100163
6	8531004.0	2	plate	Platte	100159
7	8531007.0	1	shaft	Welle	100167
Achtung ! Pos. 7 bis Seriennummer: S082099 = Part No. 8531016.0					
Attention ! Item 7 till serial number S082099 = part No. 8531016.0					
8	933180602	8	hexagon head screw	Sechskantschraube	100251
9	125B182	8	washer	Scheibe	100252
10	985182	8	hexagon head nut	Sechskantmutter	100253
11	11401208050	1	flat key	Passfeder	100247
12	8531503.1	1	belt arm	Spannhebel	100246
Achtung ! Pos. 12 bis Seriennummer: S082099 = Part No. 8531503.0					
Attention ! Item 12 till serial number S082099 = part No. 8531503.0					
13	8554007.0	1	belt pulley	Spannrolle	100014
14	7349162	1	washer	Scheibe	100234
15	2770447	1	hexagon nut	Sechskantmutter	100057
16	2770399	1	hexagon head screw	Sechskantschraube	100228
17	8538001.0	1	cylinder	Zugzylinder	100015
18	8534003.0	2	bearing	Lager	100229
Achtung ! Pos. 18 bis Seriennummer: S082099 = Part No. 8554005.0					
Attention ! Item 18 till serial number S082099 = part No. 8554005.0					
19	2770468	1	grease nipple	Schmiernippel	100052
20	8551004.0	1	bolt	Bolzen	100239
21	8551005.0	1	pin	Splint	100240
22	8551002.0	1	angle	Winkel	100075
23	125B082	8	washer	Scheibe	100242

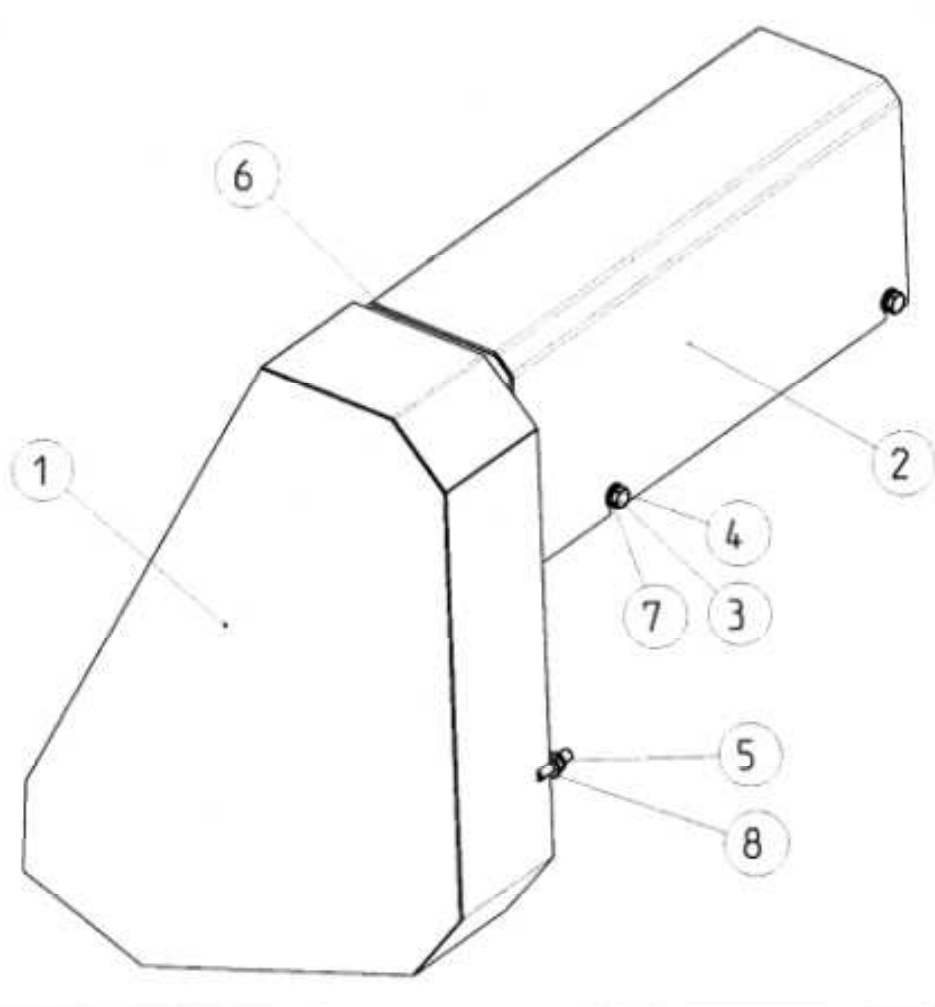
Trident 7600HD

Section 3 Driveline:

Ref.	Part No.	Quantity	English Description	German Description	Comment
24	2770421	2	hexagon head screw	Sechskantschraube	100241
25	985082	2	hexagon head nut	Sechskantmutter	100243
26	8554008.0	4	belt	Riemen	100255
27	8555007.0	1	gearbox	Getriebe	100156
28	1777209	2	washer	Scheibe	100294
29	2770506	2	Flat head screw	Senkschraube	
30	8531008.0	1	plate	Schutzplatte	100164
31	8531009.0	1	shaft	Welle	100284
32	8535015.0	1	drive shaft	Starre Welle	
33	8535007.0	1	connection shield	Schutztopf kpl.	100369
34	8531010.0	1	plate	Verschlussblech	100176
35	127B142	18	locking ring	Federring	100250
36	125B142	18	washer	Unterlegscheibe	100249
37	933140302	18	hexagon head screw	Sechskantschraube	100173
38	933080162	4	Hexagon head screw	Sechskantschraube	
39	125B082	4	Washer	Scheibe	
40	2770433	4	Locking ring	Federring	

Trident 7600HD

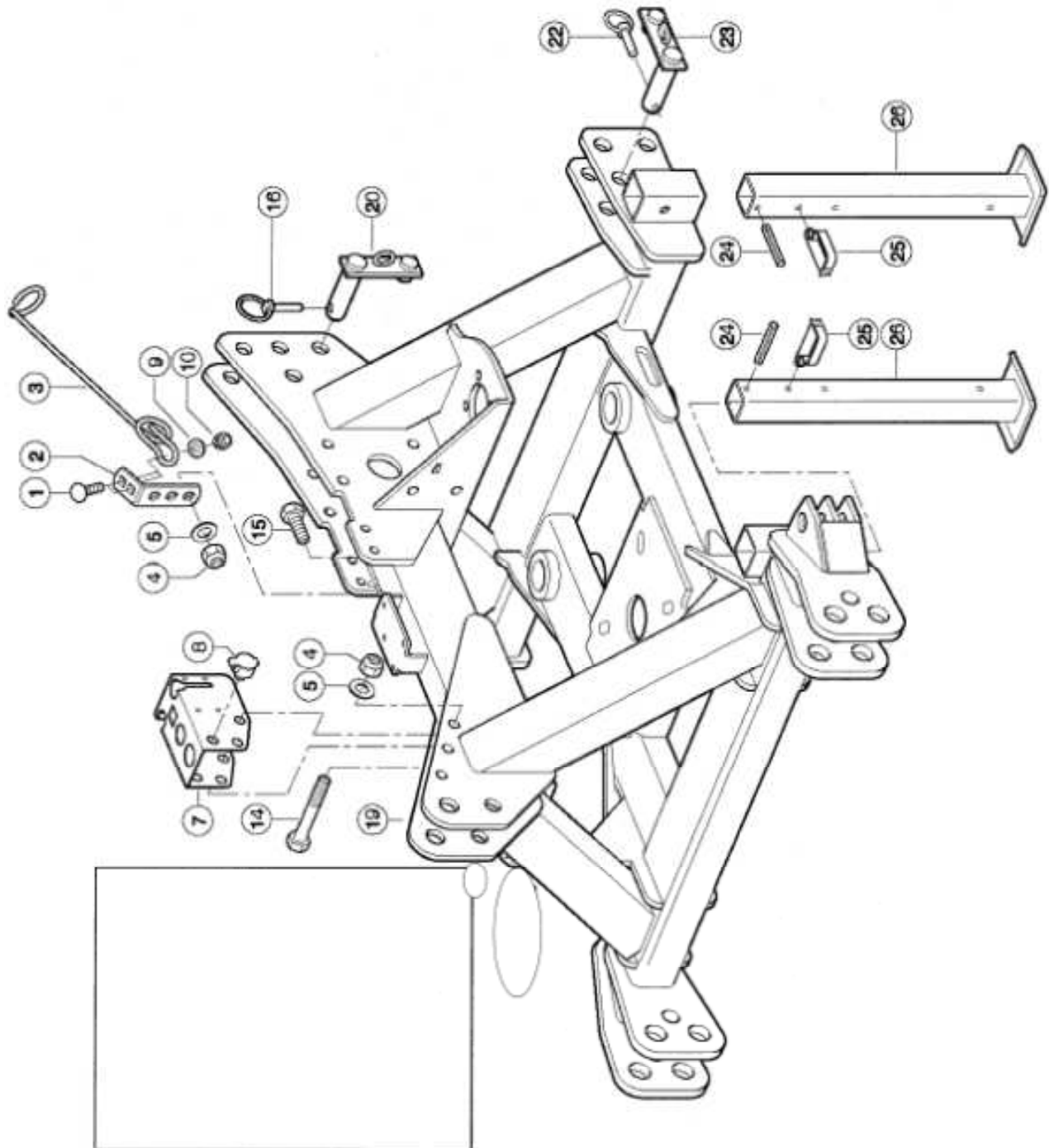
Section 3 Guards:



Ref.	Part No.	Quantity	English Description	German Description	comment
1	8531508.0	1	cover	Deckel	100448
2	8531011.0	1	safety housing	Schutzkasten	101259
3	933100252	2	hexagon head screw	Sechskantschraube	100295
4	9021100252	2	washer	Unterlegscheibe Groß	100058
5	985102	2	hexagon head nut	Sechskantmutter	100056
6	8558007.0	1	sealing	Dichtung	100293
7	127B102	2	snap ring	Federring	
8	125B102	2	washer	Unterlegscheibe	

Trident 7600HD

Middle Frame:



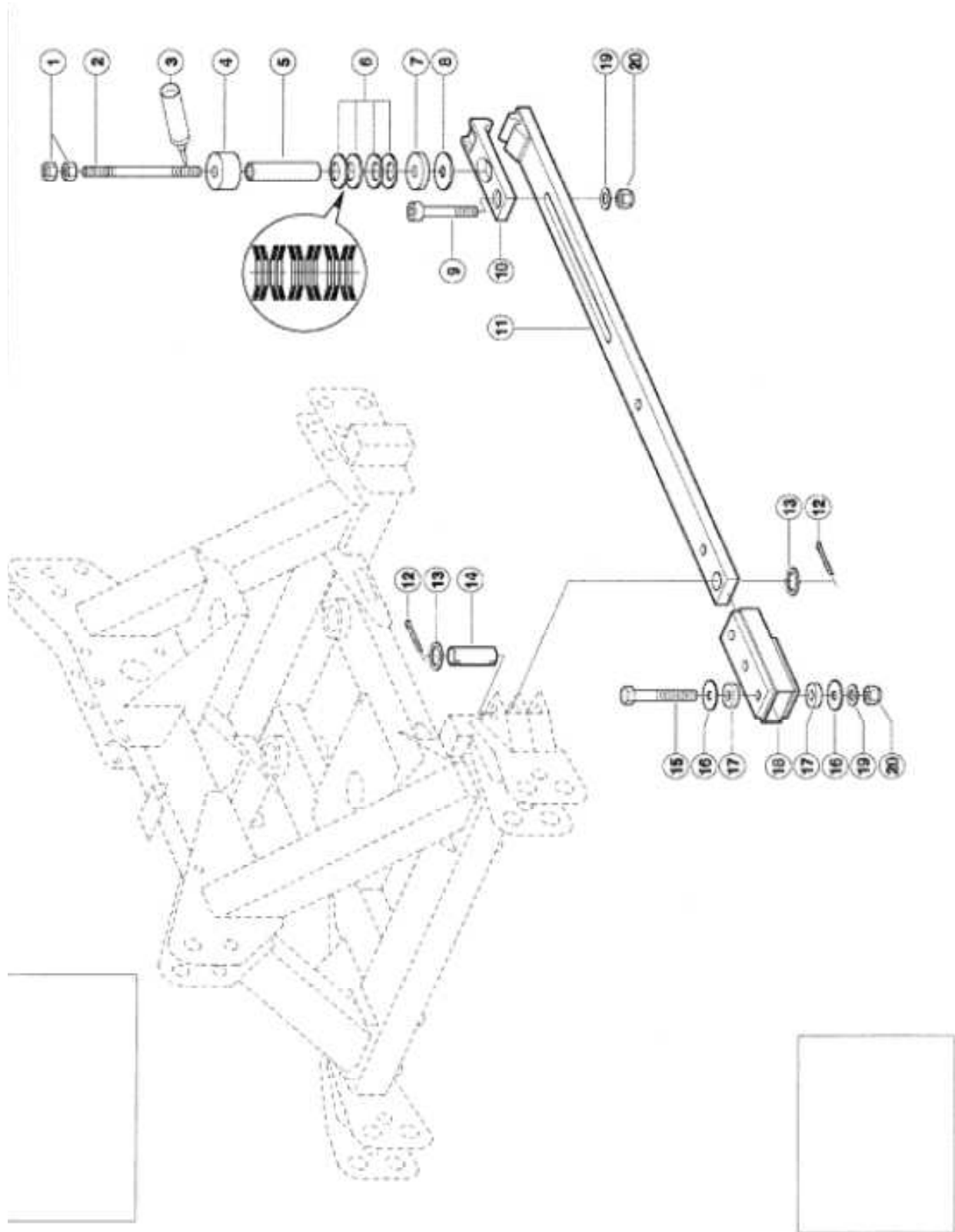
Trident 7600HD

Middle Frame:

Ref.	Part No.	Quantity	English Description	German Description	Comment
1	238 461.0	2	Coach bolt	Flachrundschraube	
2	936 813.0	1	Angle	Winkel	
3	967 854.2	1	Pipe bracket	Leitungshalter	
4	238 047.0	3	Securing nut	Sicherungsmutter	
5	239 391.0	3	Contact washer	Kontaktscheibe	
7	934 195.1	1	Hose retainer	Schlauchhalter	
8	962 889.0	1	Plug support	Steckerhalter	
9	239 389.0	2	Contact washer	Kontaktscheibe	
10	238 234.0	2	Securing nut	Sicherungsmutter	
14	238 642.0	1	Hexagonal bolt	Sechskantschraube	
15	237 376.0	2	Hexagonal bolt	Sechskantschraube	
16	215 165.0	1	Cover spring pin	Klappfederstecker	
19	937 250.7	1	Frame, middle	Mittelrahmen	
20	925 393.1	1	Pin	Bolzen Geschw.	
22	212 308.1	2	Fold pin	Sich.-Klappstecker	
23	937 343.1	2	Pin	Bolzen	
24	244 581.2	4	Tensioning pin	Spannstift	
25	978 216.0	4	Plug	Stecker	
26	937 486.3	4	Stand	Stützfuß	

Trident 7600HD

Break-back Bar:



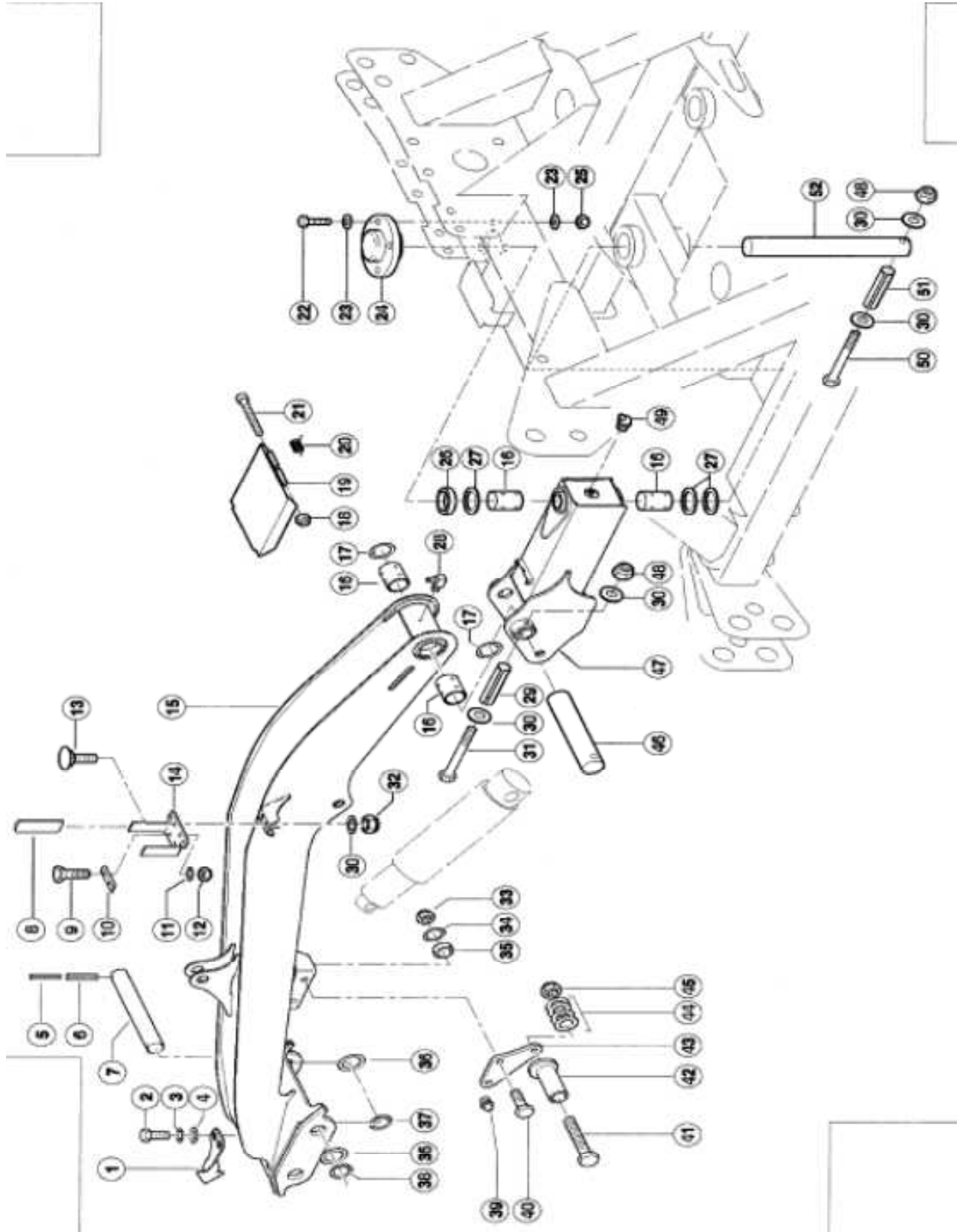
Trident 7600HD

Break-back Bar:

Ref.	Part No.	Quantity	English Description	German Description	Comment
1	236 173.0	2	Hexagonal nut	Sechskantmutter	
2	934 723.1	1	Threaded bolt	Gewindebolzen	
3	178 779.0	1	Glue	Klebstoff	
4	934 721.0	1	Guide bushing	Führungsbuchse	
5	934 722.0	1	Bushing	Buchse	
6	242 862.0	30	Plate spring	Tellerfeder	
7	934 726.0	1	Washer	Scheibe	
8	750 253.0	1	Washer	Scheibe	
9	212 362.0	1	Socket head screw	Zylinderschraube	
10	948 868.2	1	Pawl	Klinke	
11	937 346.2	1	Brace	Strebe	
12	237 680.0	2	Split pin	Splint	
13	234 306.0	4	Washer	Scheibe	
14	957 702.0	2	Pin	Bolzen	
15	211 629.0	1	Hexagonal bolt	Sechskantschraube	
16	176 843.0	2	Washer	Scheibe	
17	937 437.0	2	Washer	Scheibe	
18	937 350.0	1	Guide	Führung	
19	239 391.0	2	Contact washer	Kontaktscheibe	
20	238 047.0	2	Securing nut	Sicherungsmutter	

Trident 7600HD

LH Arm Assembly:



Trident 7600HD

LH Arm Assembly:

Ref.	Part No.	Quantity	English Description	German Description	Comment
1	925 826.0	1	Arrow	Pfeil	
2	237 464.0	2	Hexagonal bolt	Sechskantschraube	
3	239 392.0	2	Contact washer	Kontaktscheibe	
4	233 138.0	2	Washer	Scheibe	
5	237 613.2	2	Tensioning pin	Spannstift	
6	212 649.1	2	Tensioning pin	Spannstift	
7	925 800.0	1	Pin	Bolzen	
8	949 420.0	2	Handle	Handgriff	
9	236 330.0	2	Countersunk bolt	Senkschraube	
10	925 137.1	1	Wear plate	Verschleissplatte	
11	239 393.1	2	Contact Washer	Kontaktscheibe	
12	238 132.0	2	Securing nut	Sicherungsmutter	
13	236 514.0	2	Coach bolt	Flachrundschrabe	
14	925 925.2	1	Bracket	Bügel	
15	925 831.0	1	Jib left	Ausleger Links	
16	925 568.0	2	Bearing bush	Lagerbuchse	
17	214 111.0	N.B.	Axial washer	Axialscheibe	
18	237 983.0	1	Securing nut	Sicherungsmutter	
19	937 477.0	1	Cover	Deckel	
20	941 236.0	1	Torsion spring	Torsionsfeder	
21	249 073.0	1	Socket head screw	Zylinderschraube	
22	237 462.0	4	Hexagonal bolt	Sechskantschraube	
23	239 389.0	4	Contact washer	Kontaktscheibe	
24	937 263.0	1	Bearing flange	Lagerflansch	
25	238 234.0	4	Securing nut	Sicherungsmutter	
26	937 444.1	1	Spacer bush	Distanzbuchse	
27	214 111.0	5	Axial washer	Axialscheibe	
28	236 944.0	1	Grease nipple	Schmiernippel	
29	233 605.0	1	Tensioning pin	Spannstift	

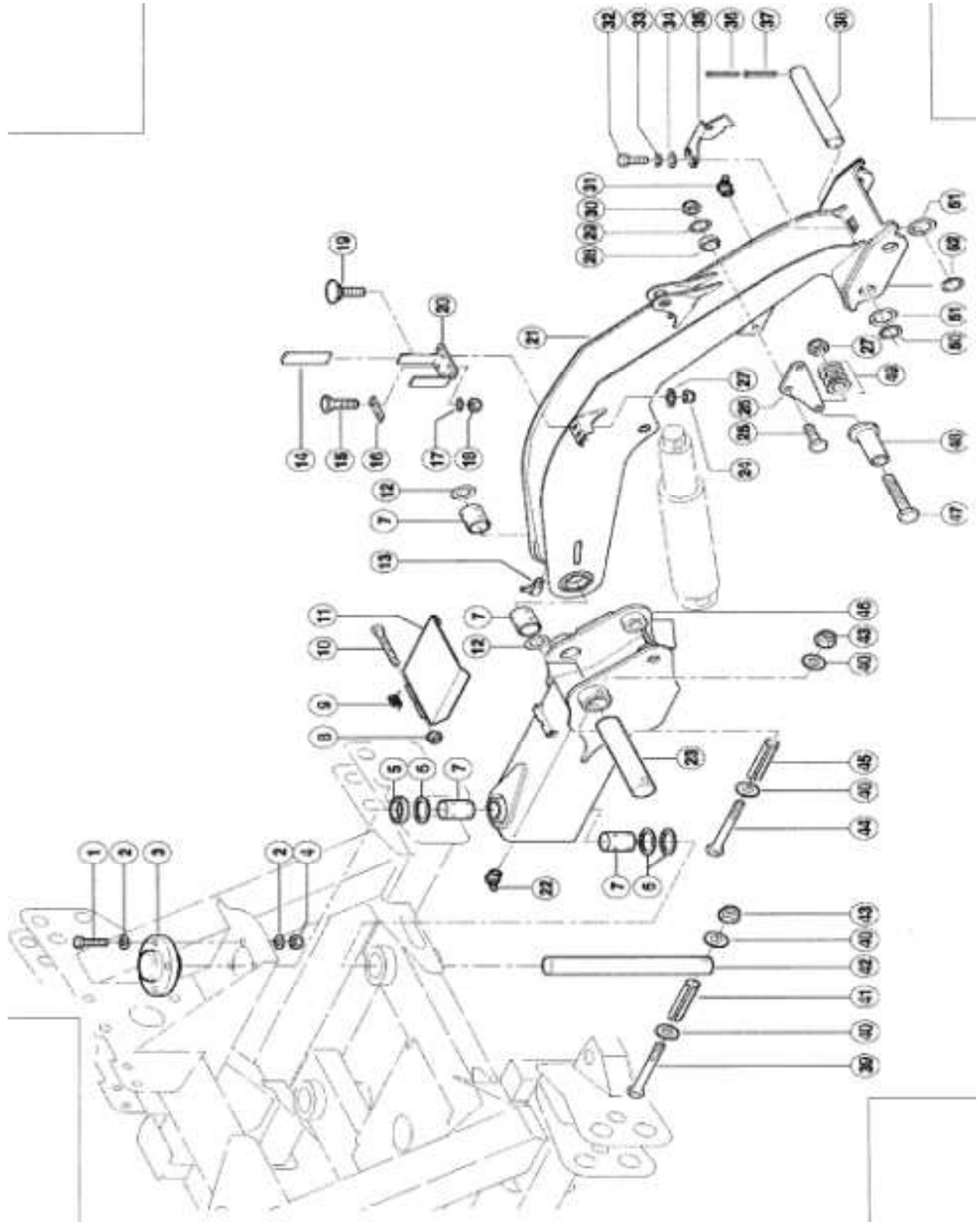
Trident 7600HD

LH Arm Assembly:

Ref.	Part No.	Quantity	English Description	German Description	Comment
30	239 388.0	6	Contact washer	Kontaktscheibe	
31	235 543.0	1	Hexagonal bolt	Sechskantschraube	
32	237 947.0	2	Securing nut	Sicherungsmutter	
33	211 045.1	2	Securing nut	Sicherungsmutter	
34	239 391.0	2	Contact washer	Kontaktscheibe	
35	992 763.0	2	Bushing	Buchse	
36	216 122.1	1	Shims	Pass-Scheibe	
37	212 549.0	1	Guide washer	Laufscheibe	
38	236 862.0	1	Washer	Scheibe	
39	179 838.0	2	Grease nipple	Schmiernippel	
40	214 210.0	2	Hex.head bolt	6kt-Schraube	
41	239 478.0	1	Hexagonal bolt	Sechskantschraube	
42	480 346.0	1	Bushing	Buchse	
43	925 818.1	1	Support	Halter	
44	233 699.0	4	Tension washer	Spannscheibe	
45	233 551.0	1	Securing nut	Sicherungsmutter	
46	937 302.1	1	Pin	Bolzen	
47	925 830.0	1	Swing arm left	Schwenkarm Links	
48	237 947.0	3	Securing nut	Sicherungsmutter	
49	236 943.0	1	Grease nipple	Schmiernippel	
50	235 542.0	1	Hexagonal bolt	Sechskantschraube	
51	213 700.1	1	Tensioning pin	Spannstift	
52	937 264.0	1	Pin	Bolzen	

Trident 7600HD

RH Arm Assembly:



Trident 7600HD

RH Arm Assembly:

Ref.	Part No.	Quantity	English Description	German Description	Comment
1	237 462.0	4	Hexagonal bolt	Sechskantschraube	
2	239 389.0	4	Contact washer	Kontaktscheibe	
3	937 263.0	1	Bearing flange	Lagerflansch	
4	238 234.0	4	Securing nut	Sicherungsmutter	
5	937 444.1	1	Spacer bush	Distanzbuchse	
6	214 111.0	5	Axial washer	Axialscheibe	
7	925 568.0	2	Bearing bush	Lagerbuchse	
8	237 983.0	1	Securing nut	Sicherungsmutter	
9	941 236.0	1	Torsion spring	Torsionsfeder	
10	249 073.0	1	Socket head screw	Zylinderschraube	
11	937 477.0	1	Cover	Deckel	
12	214 111.0	N.B.	Axial washer	Axialscheibe	
13	236 944.0	1	Grease nipple	Schmiernippel	
14	949 420.0	2	Handle	Handgriff	
15	236 330.0	2	Countersunk bolt	Senkschraube	
16	925 137.1	1	Wear plate	Verschleissplatte	
17	239 393.1	2	Contact washer	Kontaktscheibe	
18	238 132.0	2	Securing nut	Sicherungsmutter	
19	236 514.0	2	Coach bolt	Flachrundschrabe	
20	925 925.2	1	Bracket	Bügel	
21	925 767.0	1	Jib right	Ausleger Rechts	
22	236 943.0	1	Grease nipple	Schmiernippel	
23	937 302.2	1	Pin	Bolzen	
24	237 947.0	2	Securing nut	Sicherungsmutter	
25	214 210.0	2	Hex.head bolt	6kt-Schraube	
26	925 818.1	1	Support	Halter	
27	233 551.0	1	Securing nut	Sicherungsmutter	
28	992 763.0	1	Bushing	Buchse	
29	239 391.0	2	Contact washer	Kontaktscheibe	

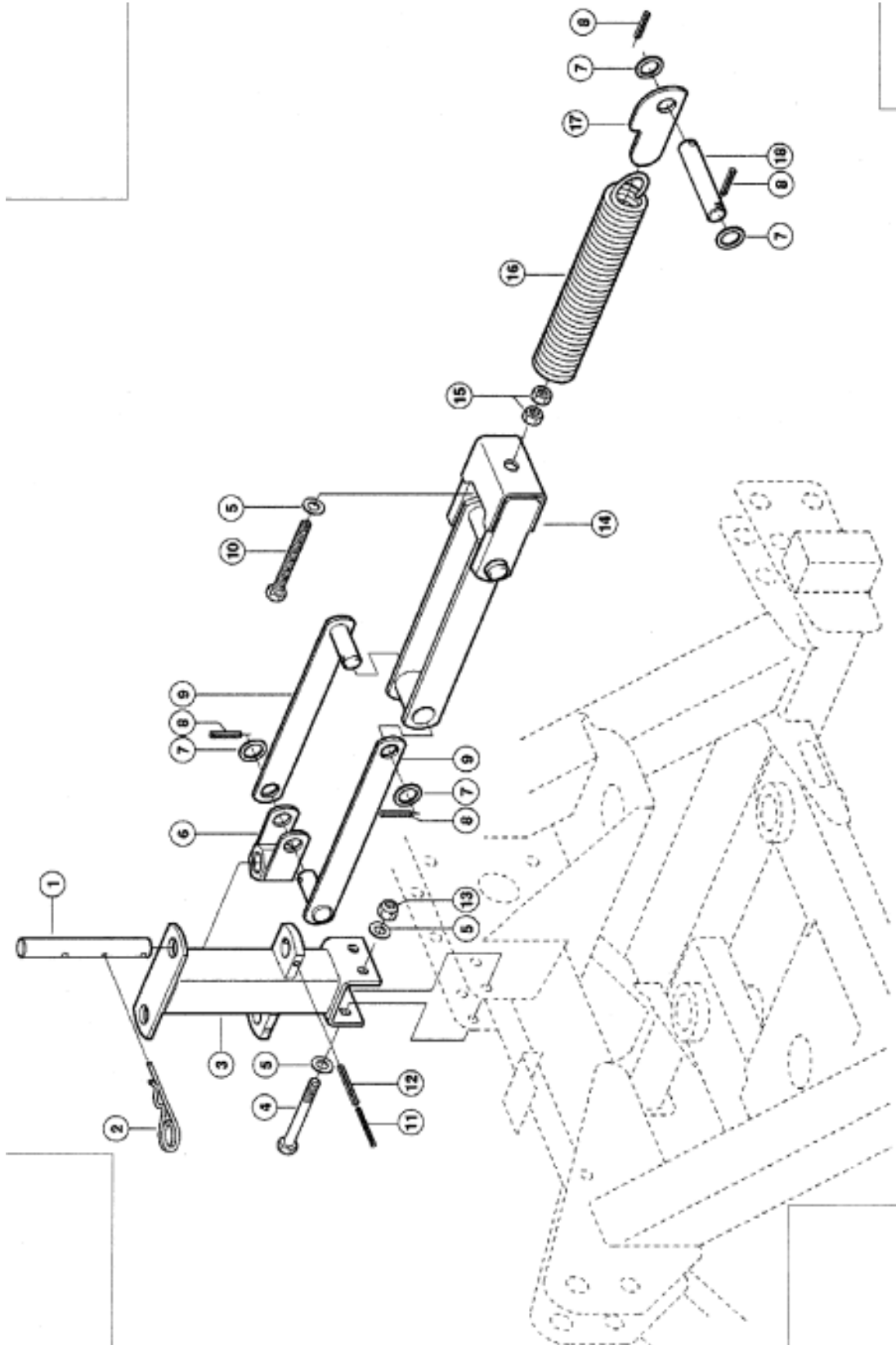
Trident 7600HD

RH Arm Assembly:

Ref.	Part No.	Quantity	English Description	German Description	Comment
30	211 045.1	2	Securing nut	Sicherungsmutter	
31	179 838.0	2	Grease nipple	Schmiernippel	
32	237 464.0	2	Hexagonal bolt	Sechskantschraube	
33	239 392.0	2	Contact washer	Kontaktscheibe	
34	233 138.0	2	Washer	Scheibe	
35	925 826.0	1	Arrow	Pfeil	
36	237 613.2	2	Tensioning pin	Spannstift	
37	212 649.1	2	Tensioning pin	Spannstift	
38	925 800.0	1	Pin	Bolzen	
39	235 542.0	1	Hexagonal bolt	Sechskantschraube	
40	239 388.0	6	Contact washer	Kontaktscheibe	
41	213 700.1	1	Tensioning pin	Spannstift	
42	937 264.0	1	Pin	Bolzen	
43	237 947.0	3	Securing nut	Sicherungsmutter	
44	235 543.0	1	Hexagonal bolt	Sechskantschraube	
45	233 605.0	1	Tensioning pin	Spannstift	
46	925 820.0	1	Swing arm right	Schwenkarm Rechts	
47	239 478.0	1	Hexagonal bolt	Sechskantschraube	
48	480 346.0	1	Bushing	Buchse	
49	233 699.0	4	Tension washer	Spannscheibe	
50	236 862.0	1	Washer	Scheibe	
51	216 122.1	2	Shims	Pass-Scheibe	
52	212 549.0	1	Guide washer	Laufscheibe	

Trident 7600HD

Compensating Spring Assembly:



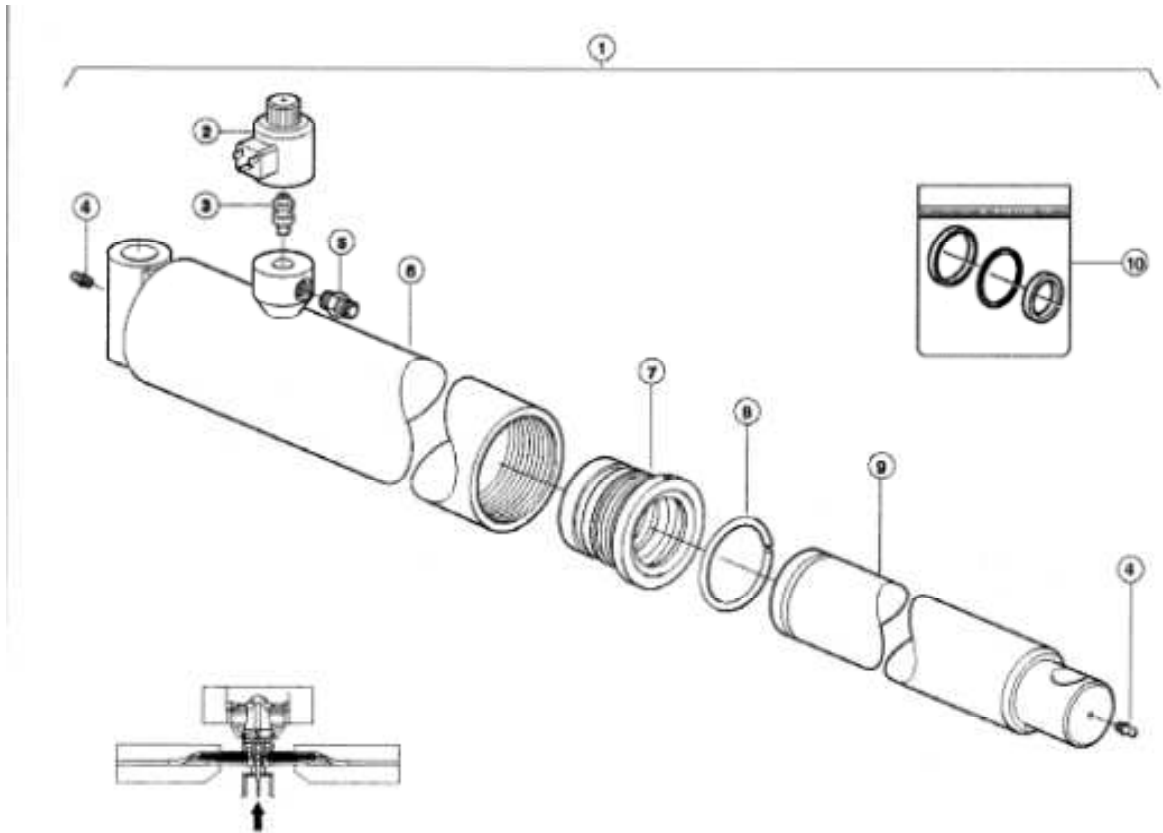
Trident 7600HD

Compensating Spring Assembly:

Ref.	Part No.	Quantity	English Description	German Description	Comment
1	934 725.1	2	Pin	Bolzen	
2	939 943.0	2	Spring clip	Federstecker	
3	934 724.1	1	Tube	Rohr	
4	242 795.0	2	Hexagonal bolt	Sechskantschraube	
5	239 391.0	6	Contact washer	Kontaktscheibe	
6	937 268.1	2	Bushing	Buchse	
7	234 349.0	8	Washer	Scheibe	
8	237 575.2	4	Tensioning pin	Spannstift	
9	937 270.1	4	Lever	Hebel	
10	233 282.0	2	Hexagonal bolt	Sechskantschraube	
11	237 608.2	2	Tensioning pin	Spannstift	
12	244 581.2	2	Tensioning pin	Spannstift	
13	238 047.0	2	Securing nut	Sicherungsmutter	
14	923 300.0	2	Lever	Hebel	
15	236 173.0	4	Hexagonal nut	Sechskantmutter	
16	938 014.0	2	Tension spring	Zugfeder	
17	952 162.1	2	Guide	Führung	
18	957 775.0	2	Pin	Bolzen	

Trident 7600HD

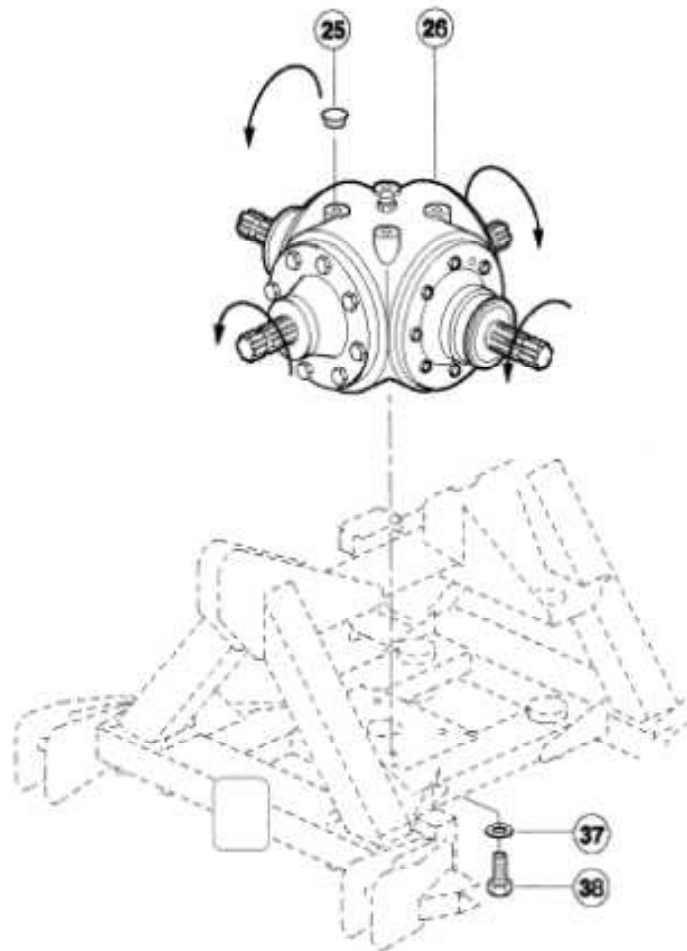
Hydraulic Cylinder:



Ref.	Part No.	Quantity	English Description	German Description	comment
1	923 211.0	1	Plunger-cylinder	Hydr. Plungerzyl.	
2	213 208.1	1	Solenoid	Hubmagnet	
10	138 796.0	1	Seal kit	Dichsatz	

Trident 7600HD

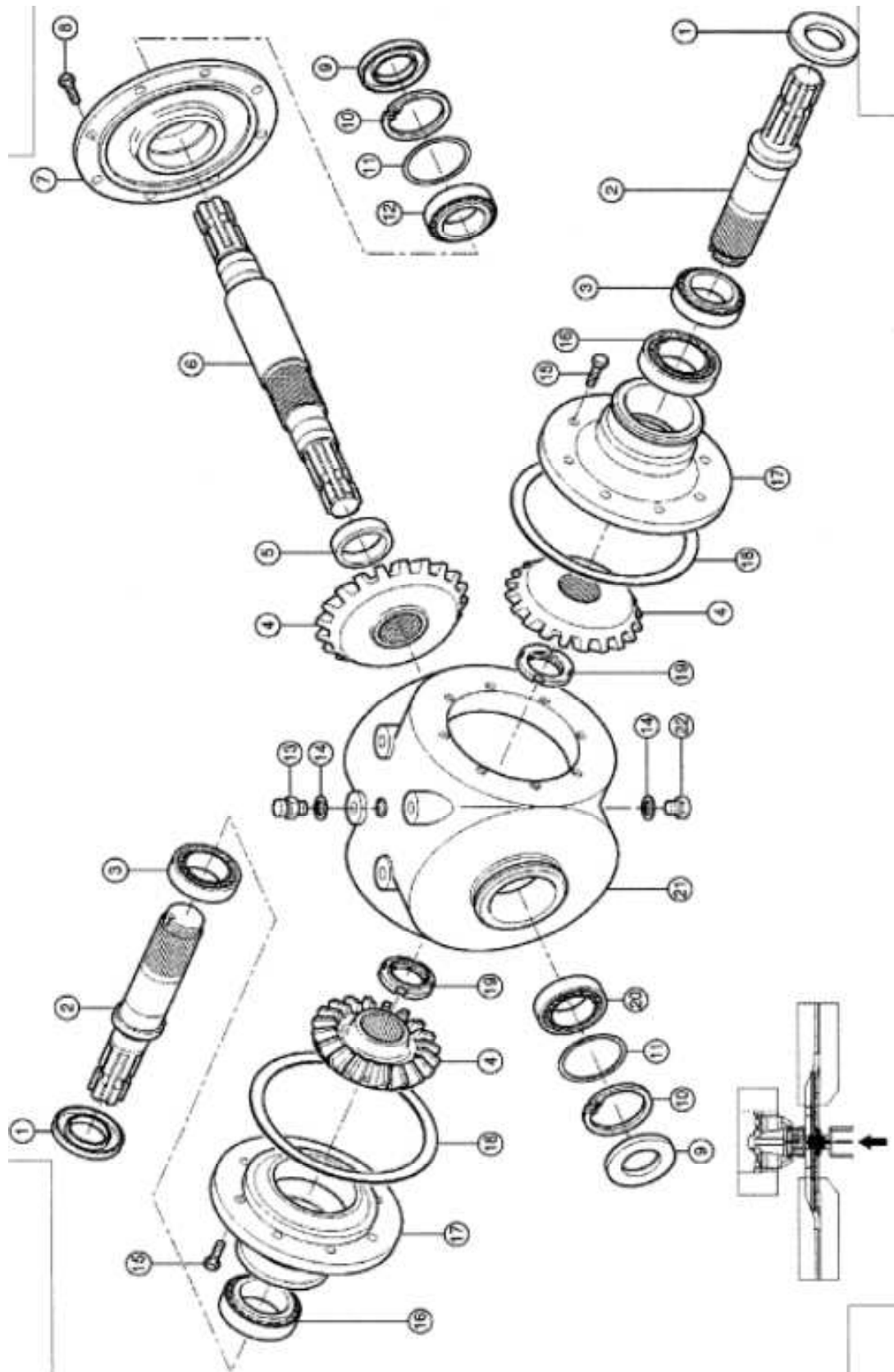
Main Gearbox Mount Assembly:



Ref.	Part No.	Quantity	English Description	German Description	comment
25	214 392.1	4	Plug	Verschl.-Stopfen	
26	937 425.0	1	Main gearbox	Hauptgetriebe	
37	239 391.0	4	Contact washer	Kontaktscheibe	
38	233 583.0	4	Hexagonal bolt	Sechskantschraube	

Trident 7600HD

Main Gearbox Break-Down:



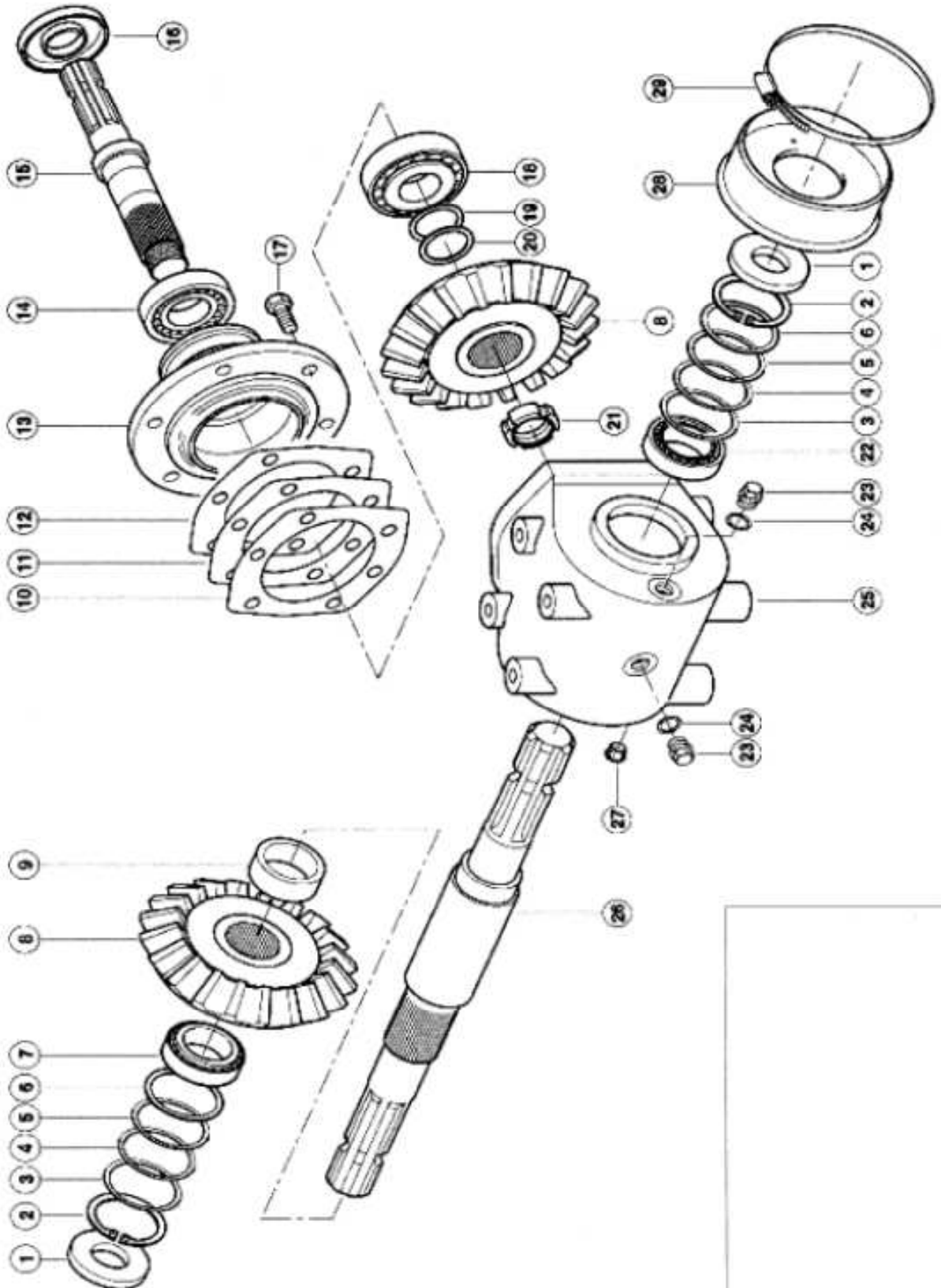
Trident 7600HD

Main Gearbox Break-Down:

Ref.	Part No.	Quantity	English Description	German Description	Comment
-	937 425.0	1	Main gearbox	Hauptgetriebe	
1	214 652.0	2	Shaft seal ring	Wellendichtung	
2	935 641.0	2	Shaft	Welle	
3	238 640.0	2	Ta.roller bearing	Kegelrollenlager	
5	940 635.0	1	Spacer ring	Distanzring	
6	935 640.0	1	Shaft	Welle	
7	940 632.0	1	Flange	Flansch	
8	237 461.0	8	Hexagonal bolt	Sechskantschraube	
9	218 196.0	2	Shaft seal ring	Wellendichtring	
10	235 190.0	2	Circlip	Sicherungsring	
11	212 629.0	2	Shims	Pass-Scheibe	
	211 609.0	2	Shims	Pass-Scheibe	
	211 608.0	2	Shims	Pass-Scheibe	
	211 607.0	2	Shims	Pass-Scheibe	
12	235 989.0	1	Ta.roller bearing	Kegelrollenlager	
13	935 645.0	1	Breather valve	Entlüftungsventil	
14	238 183.0	3	Seal ring	Dichtring	
15	237 572.0	16	Hexagonal bolt	Sechskantschraube	
16	243 673.0	2	Ta.roller bearing	Kegelrollenlager	
17	940 631.0	2	Hub	Nabe	
18	940 636.0	2	Shims	Pass-Scheibe	
	940 637.0	4	Shims	Pass-Scheibe	
	940 638.0	2	Shims	Pass-Scheibe	
19	234 481.0	2	Slotted nut	Nutmutter	
20	239 476.0	1	Ta.roller bearing	Kegelrollenlager	
21	935 643.0	1	Housing	Gehäuse	
22	244 351.0	2	Screw plug	Verschl.-Schraube	

Trident 7600HD

Section I Gearbox Break-Down:



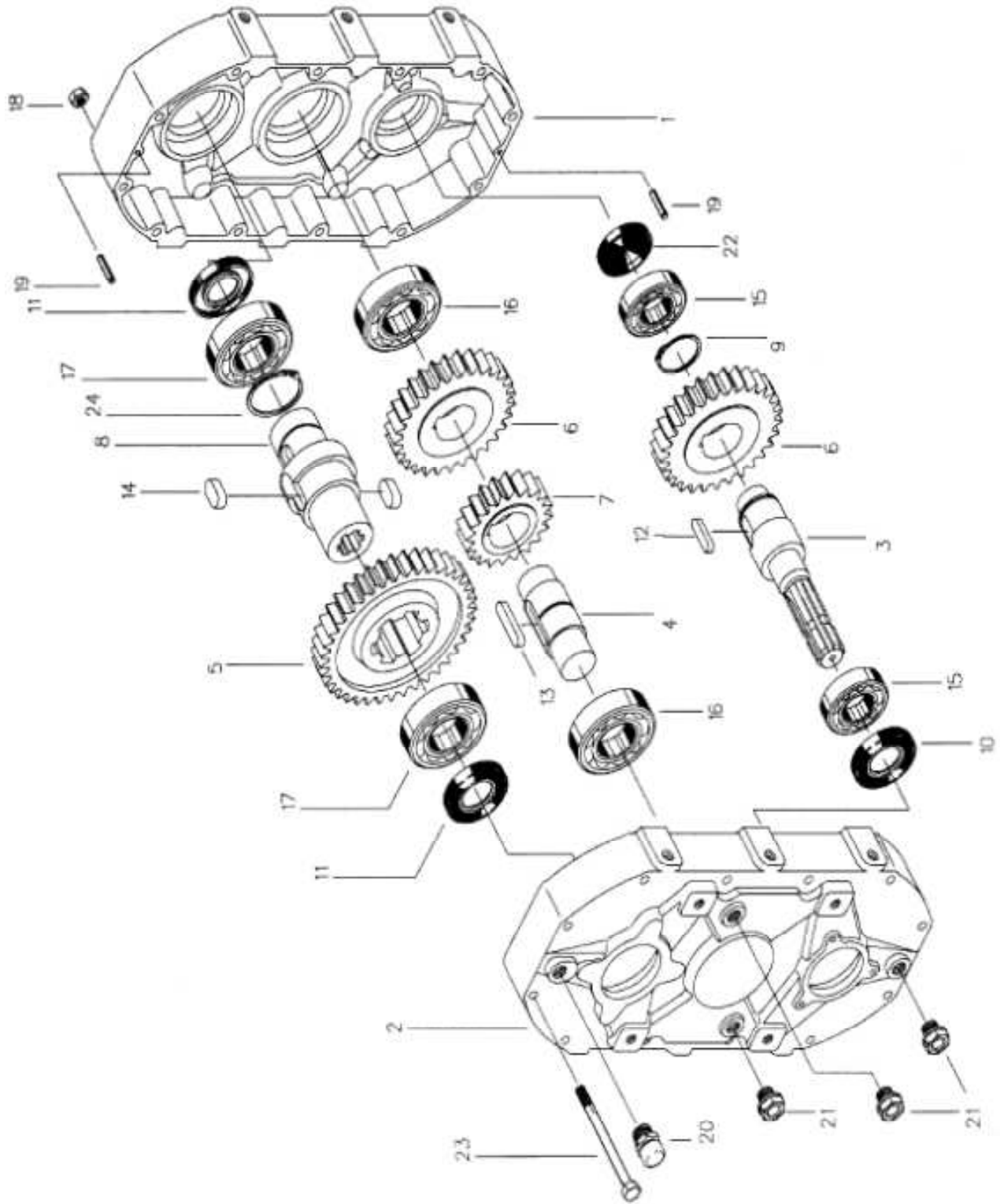
Trident 7600HD

Section I Gearbox Break-Down:

Ref.	Part No.	Quantity	English Description	German Description	comment
1	212 326.0	2	Shaft sealing ring	Wellendichtring	AS35x72x10
2	235 186.0	2	Circlip	Sicherungsring	72x2,5
3	215 581.0	N.B.	Shims	Pass-Scheibe	62x72x0,1
4	215 582.0	N.B.	Shims	Pass-Scheibe	62x72x0,3
5	215 583.0	N.B.	Shims	Pass-Scheibe	62x72x0,5
6	214. 018.0	N.B.	Shims	Pass-Scheibe	62x72x2,0
7	243 670.0	1	Ta. Roller bearing	Kegelrollenlager	32207 J2/q
9	940273.0	1	Spacing piece	Abstandstück	Gt-50
10	138 433.0	N.B.	Shims	Pass-Scheibe	Dicke 0,35
11	138 432.0	N.B.	Shims	Pass-Scheibe	Dicke 0,25
12	138 431.0	N.B.	Shims	Pass-Scheibe	Dicke 0,19
13	935 552.0	1	Hub	Gehäusenabe	502142
14	235 988.0	1	Ta. Roller bearing	Kegelrollenlager	30208 J2/q
15	935 554.0	1	Shaft	Welle	502141
16	212 737.0	1	Shaft sealing ring	Wellendichtring	AS35x80x10
17	237 461.0	6	Hexagonal bolt	Sechskantschraube	M12x30
18	243 684.0	1	Ta. Roller bearing	Kegelrollenlager	303 08
19	243 421.0	N.B.	Shims	Pass-Scheibe	40x50x0,5
20	238 434.0	N.B.	Shims	Pass-Scheibe	40x50x1
21	940 278.0	1	Adjusting nut	Stellmutter	M35x1,5
22	235 987.0	1	Ta. Roller bearing	Kegelrollenlager	30207 3db
23	244.351.0	4	Screw plug	Verschl. Schraube	M16x1,5
24	238 183.0	4	Seal ring	Dichtring	A16x20
25	935 551.0	1	Housing	Gehäuse	503237
26	935 553.1	1	Shaft	Welle	Gt-50
27	933 891.0	1	Oil indicateur	Ölstandsauge	M16x1,5
28	933 890.0	1	Adapter	Adapter	
29	214 501.0	1	Hose clamp	Schlauchschelle	A90-110

Trident 7600HD

Section 2 and 3 Gearbox Break-Down:



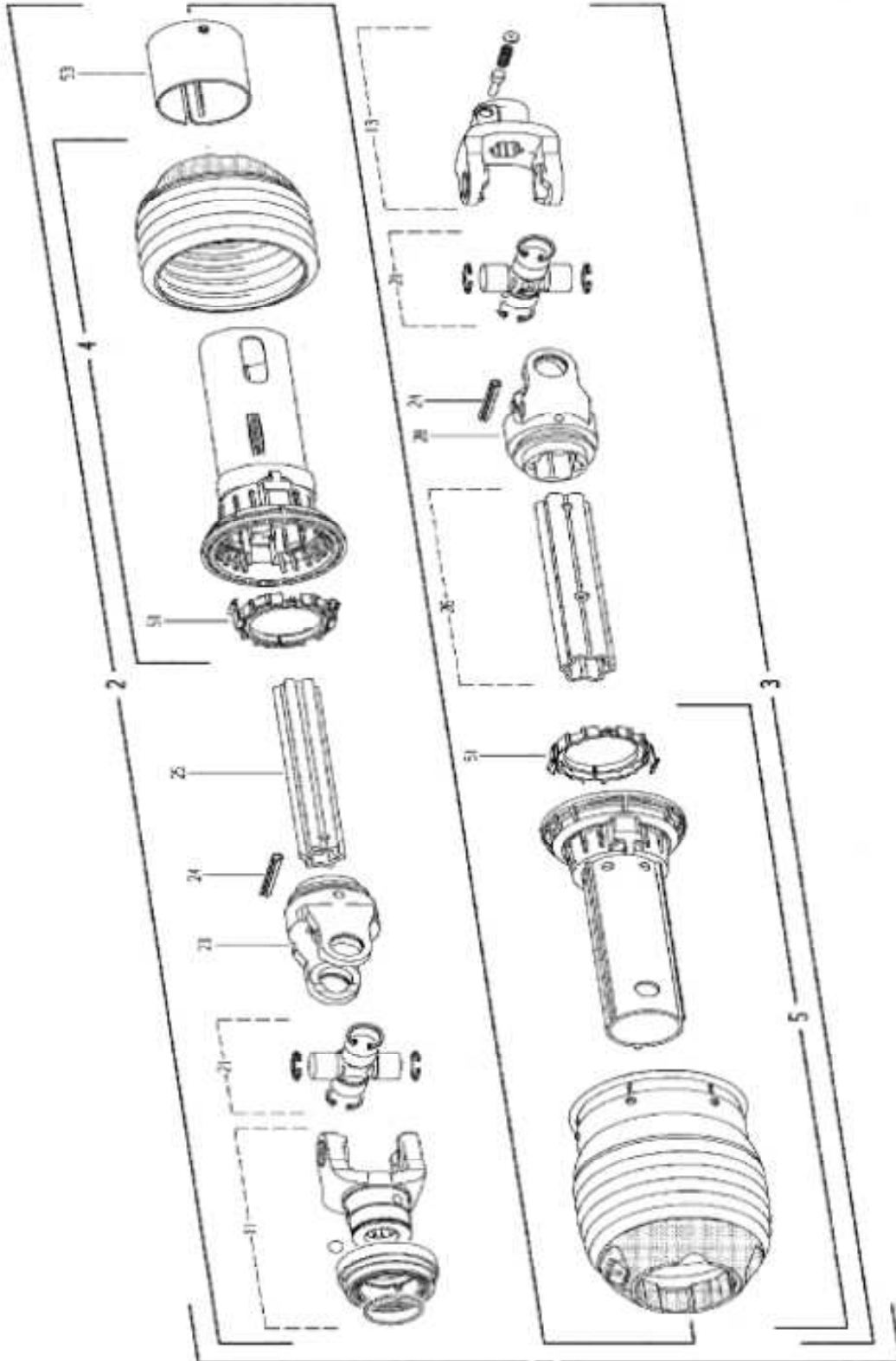
Trident 7600HD

Section 2 and 3 Gearbox Break-Down:

Ref.	Part No.	Quantity	English Description	German Description	comment
1	2004.001.101	1	Housing	Gehäuse	
2	2004.002.101	1	Housing	Gehäuse	
3	2004.003.542	1	Shaft	Welle	
4	2004.004.542	1	Shaft	Welle	
8	2004.017.542	1	Shaft	Welle	
9	8025.430.000	1	Circlip	Sicherungsring	D52 E
10	8050.458.000	1	Oil Seal	Wellendichtring	40x72x10
11	8050.646.000	2	Oil Seal	Wellendichtring	60x80x10
12	81.25.474.001	1	Key	Keil	16x10x40
13	8125.492.001	1	Key	Keil	16x10x60
14	8125.522.001	1	Key	Keil	18x11x20
15	8200.264.00	2	Bearing	Lager	6208
16	8200.292.000	2	Bearing	Lager	6309
17	8200.360.000	2	Bearing	Lager	6212
18	8225.291.000	12	Nut	Mutter	M10
19	8575.275.000	2	Pin	Stift	6x20
20	8600.184.000	1	Oil plug	Öleinfüllschraube	½"
21	8600.194.000	3	Oil plug	Öleinfüllschraube	½"
22	8600.710.000	1	Cover	Deckel	72x10
23	8675.317.000	12	Hexagon screw	Sechskantschraube	M10x120
24	8025.476.000	1	Circlip	Sicherungsring	D60 DIN472

Trident 7600HD

Input Shaft Break-Down:



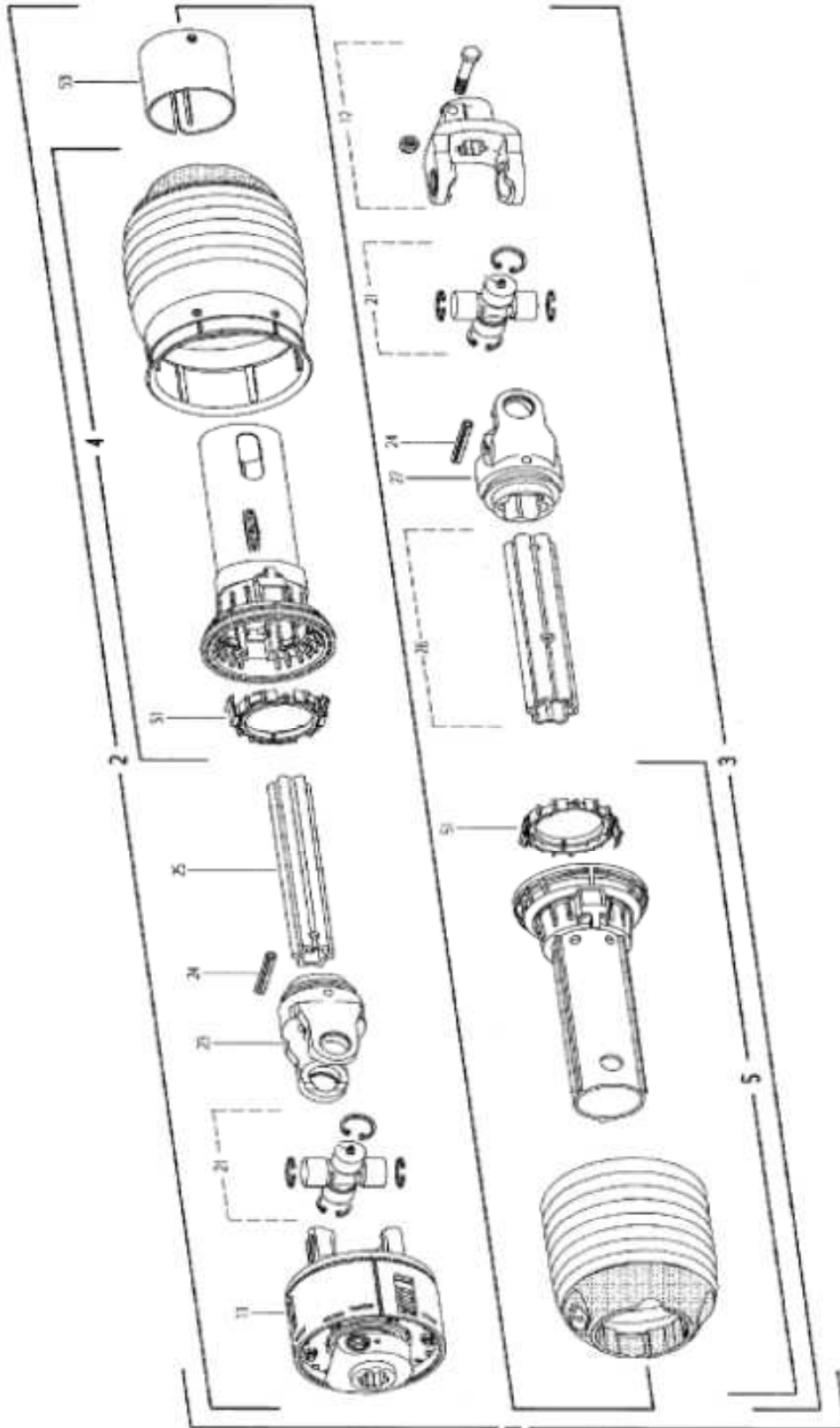
Trident 7600HD

Input Shaft Break-Down:

Ref.	Part No.	Quantity	german Description	English Description	comment
1	8535010.0	1	Gelenkwelle kpl.	Drive shaft cl.	
2	8535010/E	1	Innere Hälfte 1 3/8"Z6	Inner half	
2	8535010/E1	1	Innere Hälfte 1 ¼"Z20	Inner half	
2	8535010/E3	1	Innere Hälfte 1 3/8"Z21	Inner half	
2	8535010/E4	1	Innere Hälfte 1 3/4"Z6	Inner half	
3	8535010/I	1	Äußere Hälfte	Outer half	
4	8535021.0	1	Äußere Schutzhälfte	outer guard half	
5	8535022.0	1	Innere Schutzhälfte	Inner guard half	
11	8535010.2	1	QS-Gabel kpl.	QS-yoke cpl.	
11	8535010.1	1	QS-Gabel kpl.	QS-yoke cpl.	
11	8535010.3	1	QS-Gabel kpl.	QS-yoke cpl.	
11	8535010.4	1	QS-Gabel kpl.	QS-yoke cpl.	
13	8535037.0	1	Aufsteckgabel kpl. 1 3/4"Z6	Yoke cpl.	
21	8535023.0	2	Kreuz kpl.	Cross cpl.	
23	8535024.0	1	Rillengabel	Inboard yoke	
24		2	Spannstift ISO8752	Pin	10x90
25	8535025.0	1	Profilrohr	Profile tube	
26	8535026.0	1	Profilrohr	Profile tube	
28	8535027.0	1	Rillengabel	Inboard yoke	
51	8535038.0	2	Gleitring	Bearing ring	
53	8535039.0	1	Abdeckung	Cover	

Trident 7600HD

LH/RH Wing Shaft Break-Down:



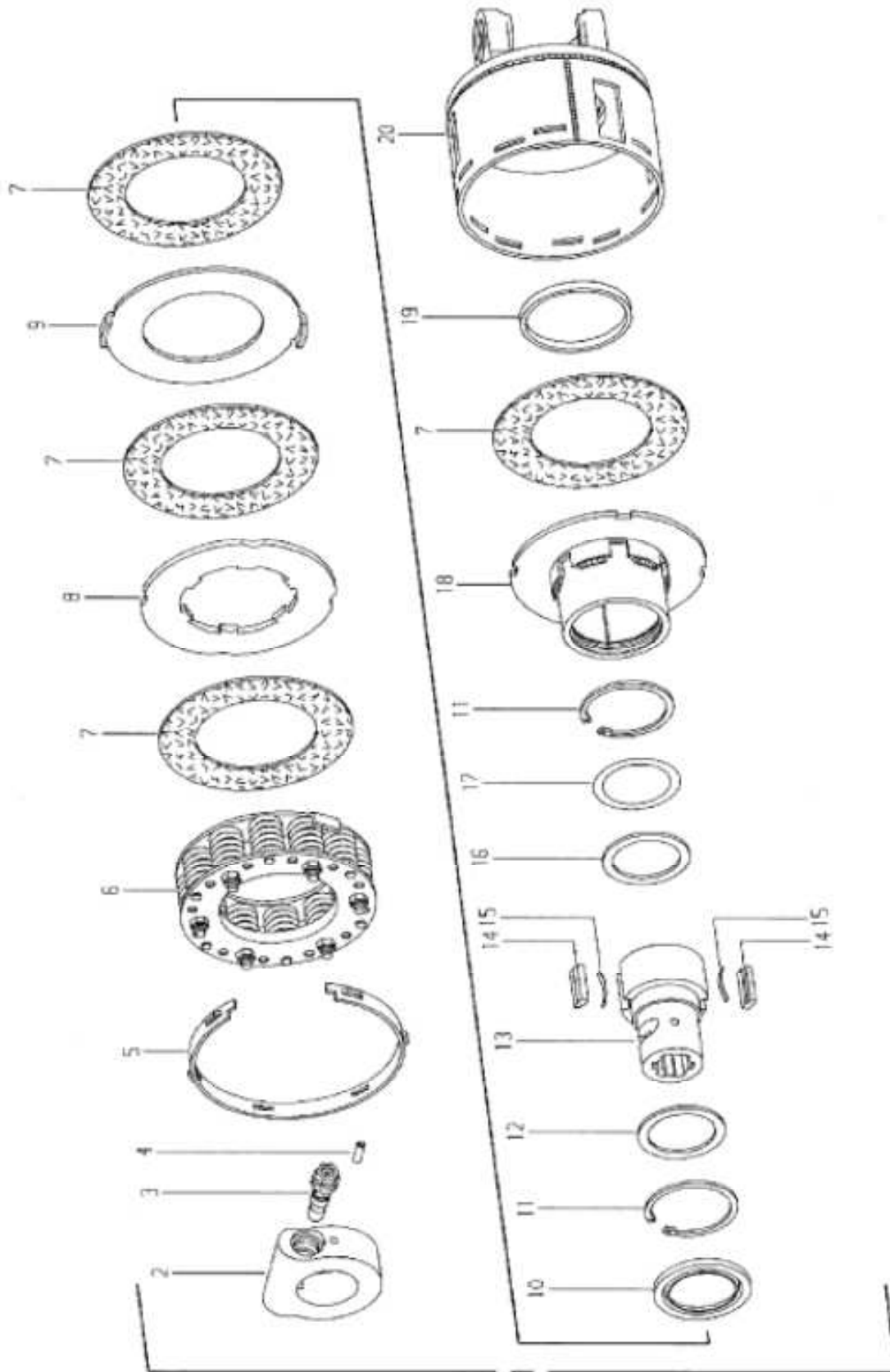
Trident 7600HD

LH/RH Wing Shaft Break-Down:

Ref.	Part No.	Quantity	German Description	English Description	comment
1	8535013.0	1	Gelenkwelle kpl.	Drive shaft cl.	
1	8535014.0	1	Gelenkwelle kpl.	Drive shaft cl.	
2	8535013.E	1	Innere Hälfte	Inner half	R Freilauf
2	8535014.E	1	Innere Hälfte	Inner half	L Freilauf
3	8535013.I	1	Äußere Hälfte	Outer half	
4	8535055.0	1	Äußere Schutzhälfte	outer guard half	
5	8535028.0	1	Innere Schutzhälfte	Inner guard half	
11	8535029.0	1	Reib Freilaufkupplung	Friction clutch	8535013.0
11	8535036.0	1	Reib Freilaufkupplung	Friction clutch	8535014.0
12	8535030.0	1	Aufsteckgabel kpl.	Clamp yoke cpl.	
21	8535031.0	2	Kreuz kpl.	Cross cpl.	
23	8535032.0	1	Rillengabel	Inboard yoke	
24		2	Spannstift ISO8752	Pin	10x80
25	8535033.0	1	Profilrohr	Profile tube	
26	8535034.0	1	Profilrohr	Profile tube	
27	8535035.0	1	Rillengabel	Inboard yoke	
51	8535038.0	2	Gleitring	Bearing ring	
53	8535039.0	1	Abdeckung	Cover	

Trident 7600HD

LH/RH Wing Shaft Clutch Break-Down:



Trident 7600HD

LH/RH Wing Shaft Clutch Break-Down:

Ref.	Part No.	Quantity	german Description	english Description	comment
1	8535036.0	1	Reibkupplung FK96/4R	Friction clutch	8535014.0
1	8535029.0	1	Reibkupplung FK96/4L	Friction clutch	8535013.0
2	8535058.0	1	Klemmring	Clamping collar	
3	8535059.0	1	Klemm-Konus	Clamping cone	
4		1	Spannstift ISO8752	Pin	6x22
5	8535060.0	1	Einstellring	Setting ring	
6	8535040.0	1	Federpaket	Spring pack	
7	8535041.0	4	Reibscheibe	Friction disk	
8	8535042.0	1	Mitnahmescheibe	Drive plate	
9	8535043.0	1	Mitnahmescheibe	Drive plate	
10	8535044.0	1	Dichtring	Sealing ring	
11	2771108	2	Sicherungsring	Retaining ring	
12	8535045.0	1	Stützscheibe	Supporting ring	
13	8535046.0	1	Nabe	Hub	
14	8535047.0	2	Sperrkeil	Key	
15	8535048.0	2	Blattfeder	Leaf spring	
16	8535049.0	1	Stützscheibe	Supporting ring	
17	8535050.0	1	Paßscheiben-Satz	Shim kit	
18	8535051.0	1	Mitnehmer FK96/4R	overrunning housing	8535036.0
18	8535052.0	1	Mitnehmer FK96/4L	overrunning housing	8535029.0
19	8535053.0	1	Lauftring	Ring	
20	8535054.0	1	Kupplungsgehäuse	Clutch housing	
	8535061.0	50g	Spezialfett	Special grease	

Trident 7600HD

Safety Decals:



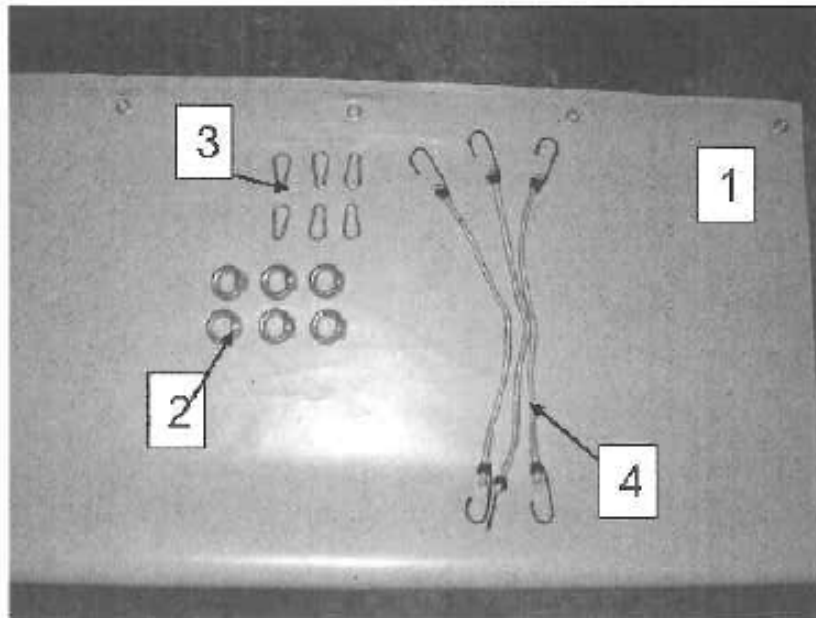
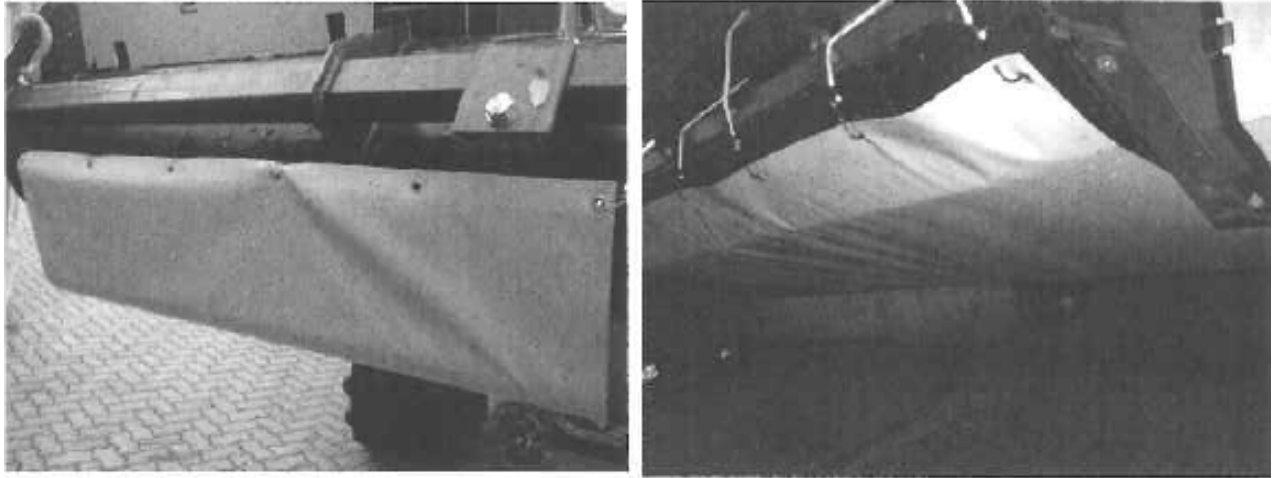
Ref.	Part No.	Quantity	English Description	German Description	comment
1	514 895.1	1	Sticker	Aufkleber	
2	514 946.1	1	Sticker	Aufkleber	
3	514 898.0	4	Sticker	Aufkleber	
4	516 254.0	2	Sticker	Aufkleber	
5	936 915.0	4	Sticker	Aufkleber	
6	515 380.0	4	Sticker	Aufkleber	

Trident 7600HD

Optional Equipment:

Trident 7600HD

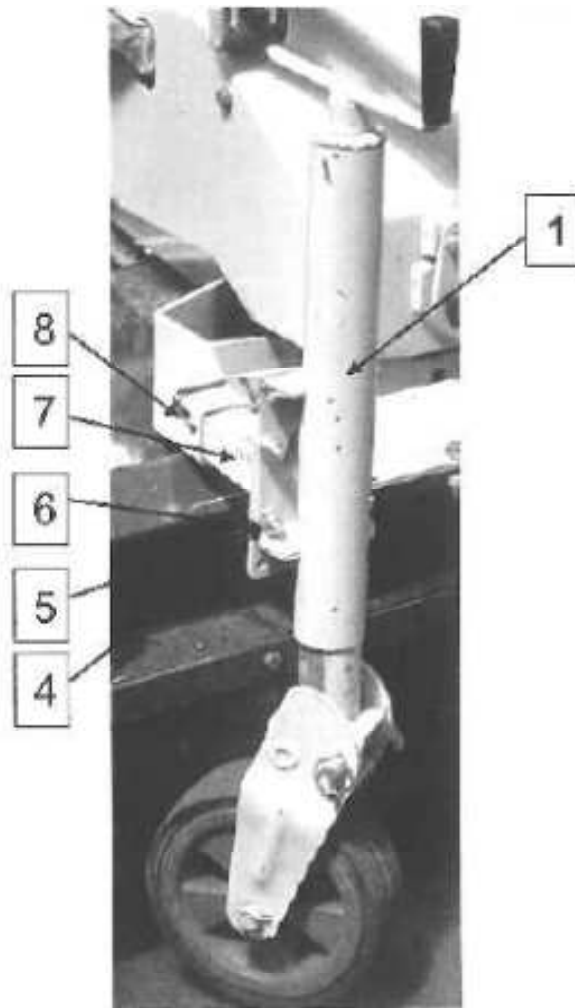
Transport Protection Kit:



Ref.	Part No.	Quantity	English Description	German Description	comment
1	8538002.0	1	plane	Schutzplane	
2	8532002.0	6	Ring nut	Ringmutter M10	
3	8536004.0	6	carabiner	Karabiner	
4	8538003.0	3	Tension band	Spannband	

Trident 7600HD

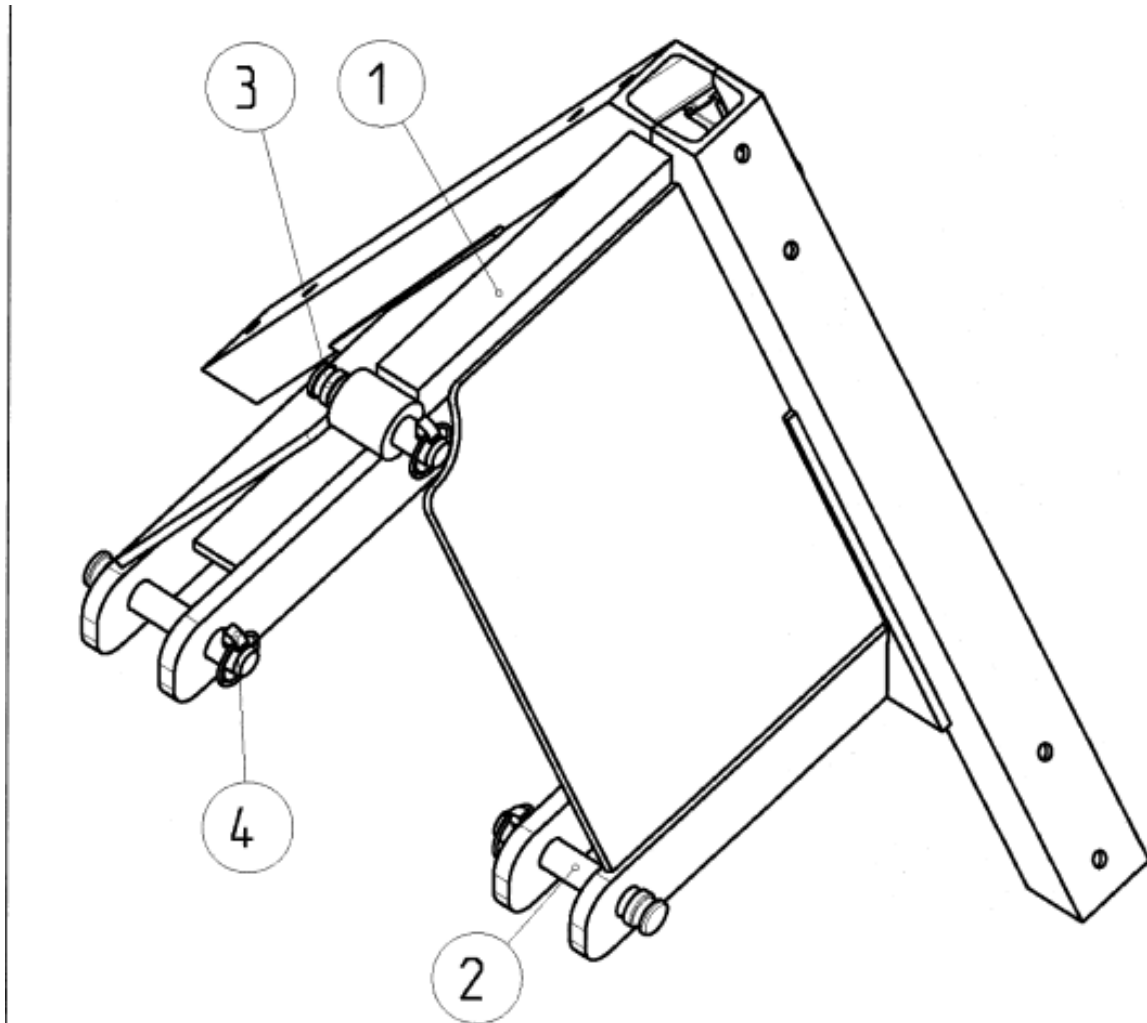
Jack Stand Wheel:



Ref.	Part No.	Quantity	English Description	German Description	comment
1	8536003.0	1	Stand wheel	Stützrad	
4	985122	4	Hexagon head nut	Sechskantmutter	
5	933120302	4	Hexagon head screw	Sechskantschraube	
6	125B122	8	Washer	Scheibe	
7	8531516.0	1	Adapter	Adapter	
8	8551006.0	1	Bolt spec.	Bolzen spez.	

Trident 7600HD

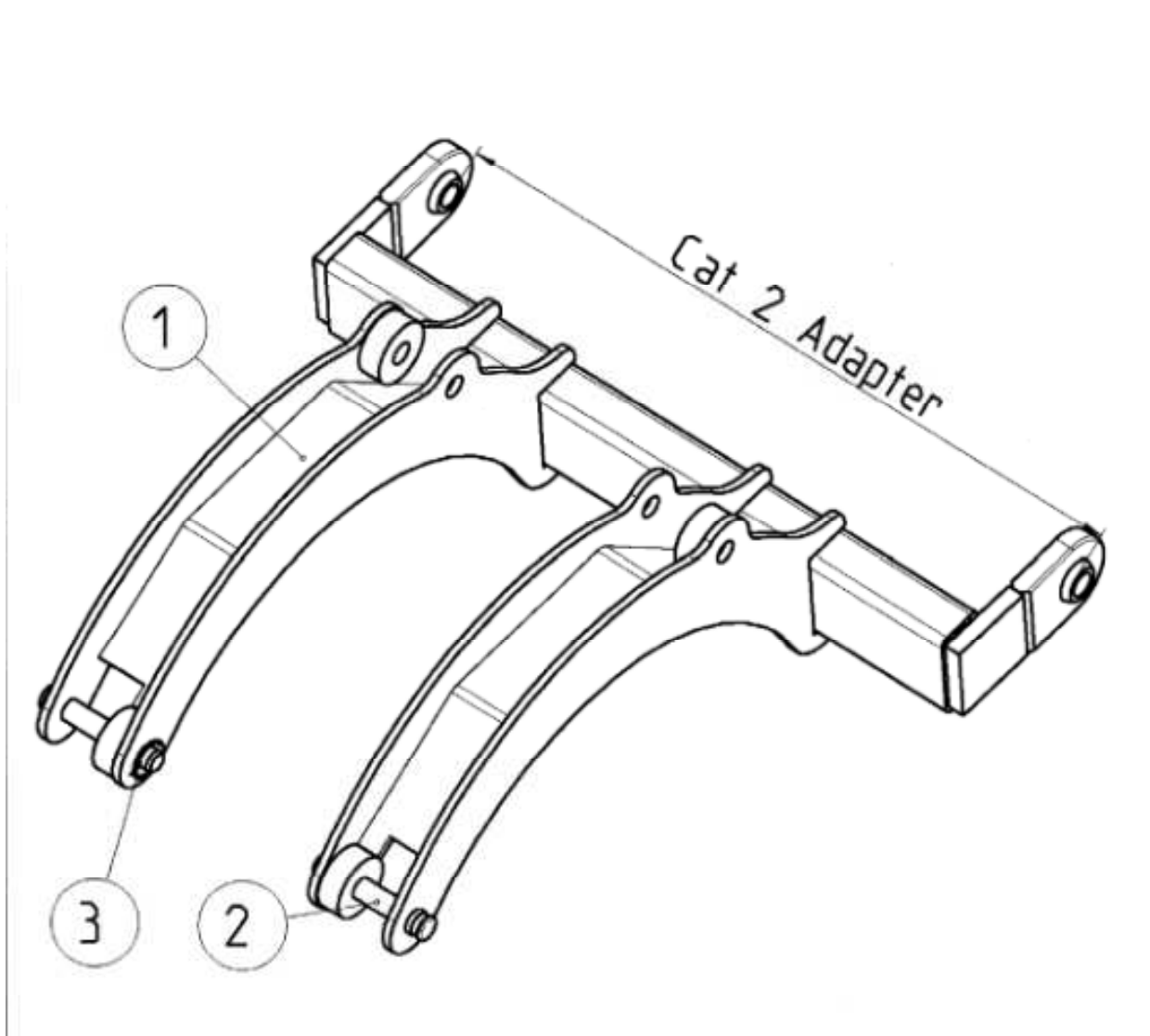
Rear Section Adaptor Frame (for rear mounting)



Ref.	Part No.	Quantity	English Description	German Description	comment
1	8531513.0	1	adapter	Adapter	100370
2	6310203	2	Bolt	Bolzen Ø25	
3	6310203A	1	Bolt	Bolzen Ø25	
4	6310206	3	Split pin	Splint Ø10	

Trident 7600HD

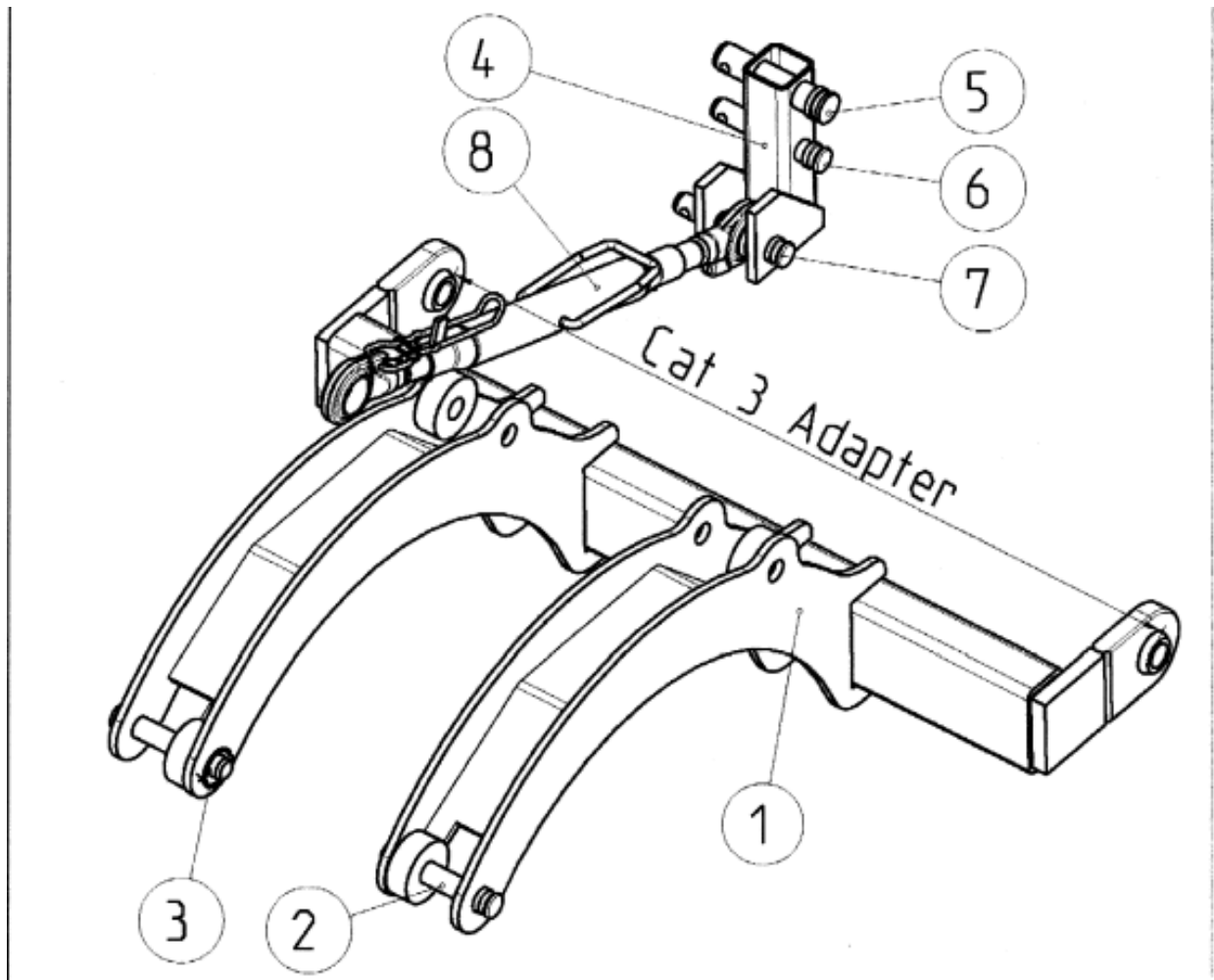
Rear Section Linkage Frame (for Cat 2 front/rear mounting)



Ref.	Part No.	Quantity	English Description	German Description	comment
1	8531512.0	1	adapter	Adapter	100338
2	6310203	2	Bolt	Bolzen Ø25	
3	6310206	2	Split pin	Splint Ø10	

Trident 7600HD

Rear Section Linkage Frame (for Cat 3 rear mounting)



Ref.	Part No.	Quantity	English Description	German Description	comment
1	8531511.0	1	adapter	Adapter	100300
2	6310203	2	Bolt	Bolzen Ø25	
3	6310206	5	Split pin	Splint Ø10	
4	8531515.0	1	Adapter	Adapter	100299
5	S3026	1	Bolt	Bolzen Ø32	
6	6310203	1	Bolt	Bolzen Ø25	
7	6310203	1	Bolt	Bolzen Ø25	
8	S99584	1	Top link	Oberlenker	

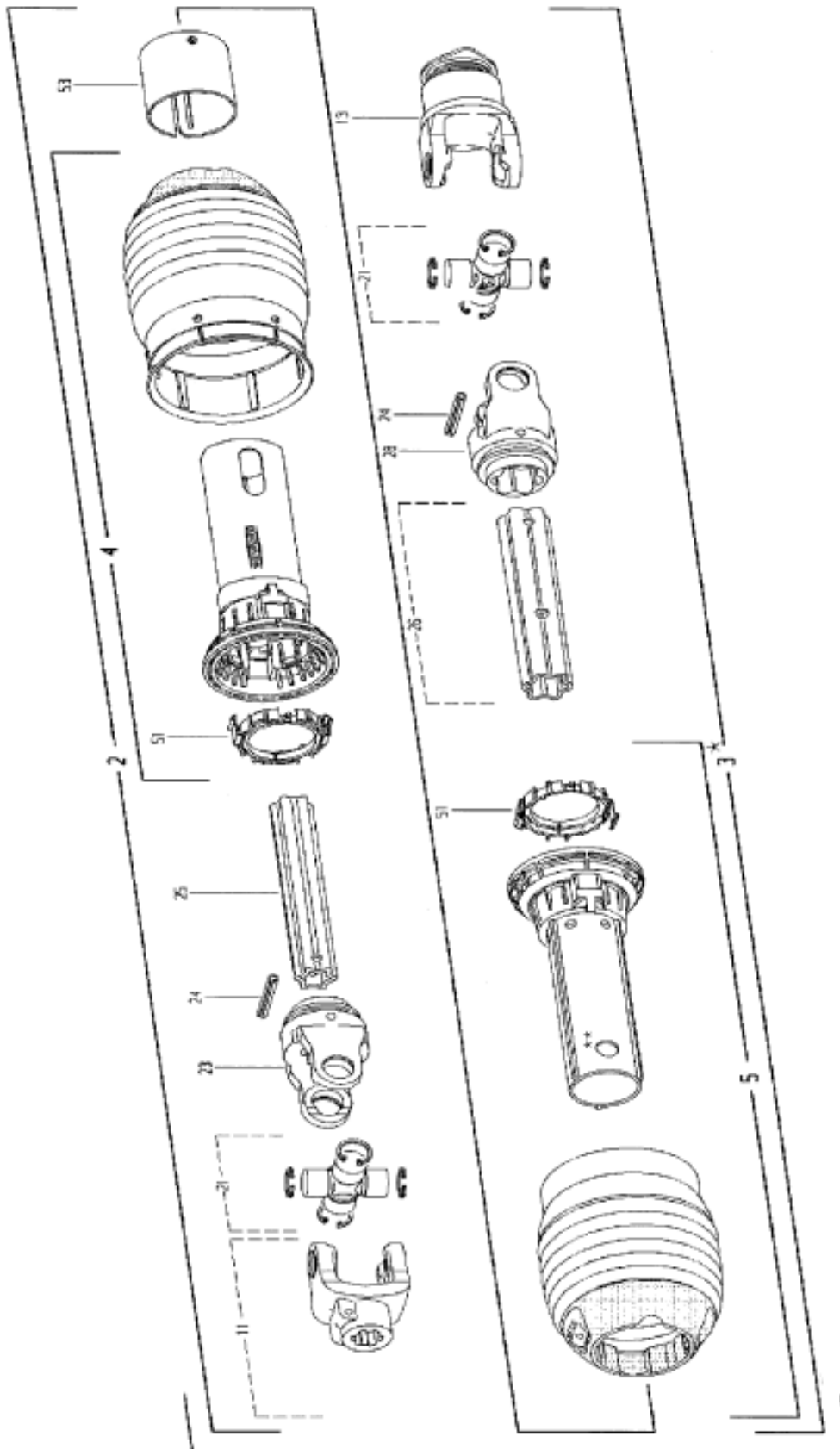
Trident 7600HD

Rear Section Linkage Assembly (for rear mounting)

Ref.	Part No.	Quantity	English Description	German Description	Comment
5	953 443.0	2	Hose pipe	Schlauchleitung	
6	922 830.0	2	Pull cylinder	Zugzylinder	
	138 591.0	1	Seal kit	Dichtsatz	
7	238 796.0	2	Angle union	Winkelstutzen	
9	937 460.0	1	Support	Träger	
10	238 047.0	8	Securing nut	Sicherungsmutter	
11	239 391.0	12	Contact washer	Kontaktscheibe	
14	237 888.0	4	Hexagonal bolt	Sechskantschraube	
15	215 165.0	1	Cover spring pin	Klappfederstecker	
16	925 393.1	1	Pin	Bolzen Geschw.	
17	937 343.1	2	Pin	Bolzen	
18	212 308.1	2	Fold pin	Sich.-Klappstecker	
19	235 590.0	4	Hexagonal bolt	Sechskantschraube	
20	937 276.1	2	Bar	Anschlagleiste	

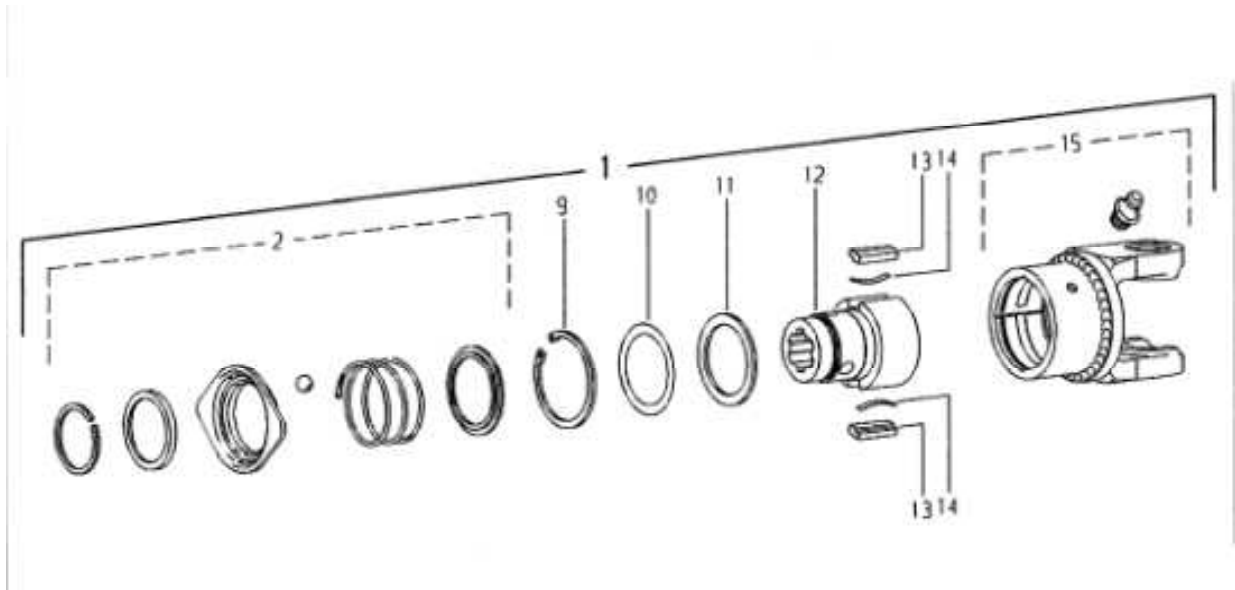
Trident 7600HD

Rear Section PTO Shaft Assembly (for front/rear mounting):



Trident 7600HD

Rear Section PTO Shaft Overrun Clutch Break-down:



Ref.	Part No.	Quantity	german Description	english Description	comment
1	8535066.0	1	Freilauf kpl.	overrunning cpl.	
2	8535069.0	1	Ziehverschluß kpl.	Quick lock ball Type	341953
9		1	Sicherungsring DIN472	Locking ring	72x2,50
10	8535070.0	1	Paßscheiben-Satz	Shim kit	116141
11		1	Stützscheibe DIN988	Supporting ring	S 56x72
12	8535071.0	1	Nabe	Hub	
13	8535072.0	2	Sperrkeil	Key	
14	8535073.0	2	Blattfeder	Leaf spring	
15	8535074.0	1	Kupplungsgehäuse kpl.	Clutch housing cpl.	
	8535061.0	50g	Spezialfett	Spezial grease	

Trident 7600HD

Spearhead Machinery Ltd
Green View
Salford Priors
Evesham
Worcestershire
WR11 8SW
Tel: 01789 491860
Fax: 01789 778683
www.spearheadmachinery.com
enquiries@spearheadmachinery.com