

Spearhead

STUBBLE
MASTER



Edition 1.3 - October 2014
Part No. 8999076

PARTS MANUAL

Contents

Ordering Your Parts.....	3
Centre Section - S180025.70.....	5
Wing Section - S180025.71/72.....	7
Centre Axle - S180025.110.....	9
Wing Axle - S180025.111.....	10
Std Drawbar - S180025.75.....	11
Tie-Bar Assembly - S180025.76.....	13
Stub Axles - S180025.99.....	14
Wheels and Tyres - S180025.24.....	14
Hydraulic Circuit - S180025.80.....	15
Wing Ram Assembly - S180025.21.....	17
Height Ram Assembly - S180025.20.....	18
Front Flap Kit - S180025.88.....	19
Mud Guard Kit - S180025.90.....	20
Euro Light Kit - S180025.62.....	21
French Light Kit - S180025.94.....	22
MP3 Blade Carrier Assembly - S180025.77.....	23
MP6 Blade Carrier Assembly - S180025.65.....	24
HD3 Blade Carrier Assembly - S180025.32.....	25
HD6 Blade Carrier Assembly - S180025.34.....	26
500 Decals - S180025.100.....	27
Rear Drawbar Assembly - S180025.27.....	28
Rear Drawbar C/W Hyd - S180025.102.....	29
Input Shaft - S180025.18/19.....	31
500 Driveline - S180025.16.....	32
Centre Shaft - 5770225.....	33
Wing Shaft - 5770230.....	35
Splitter Gearbox - 5769999A.....	37
Centre Rotor Gearbox - 5770005.....	39
RH Wing Gearbox - 5770006.....	41
LH Wing Gearbox - 5770007.....	43

Ordering Your Parts

When ordering parts please refer to your parts list to help your dealer with your order.

Part number and quantity
Description
Machine model number
Serial number of the machine
Delivery instructions (e.g. next day).

Delivery is normally via carrier direct to your dealer. Please check with your dealer for stock availability and arrangement of dispatch. Ensure you or your dealer has sufficient cover for parts requirement outside factory hours.

When ordering your seal kits please quote both codes stamped on the base of the cylinder.

Important Note

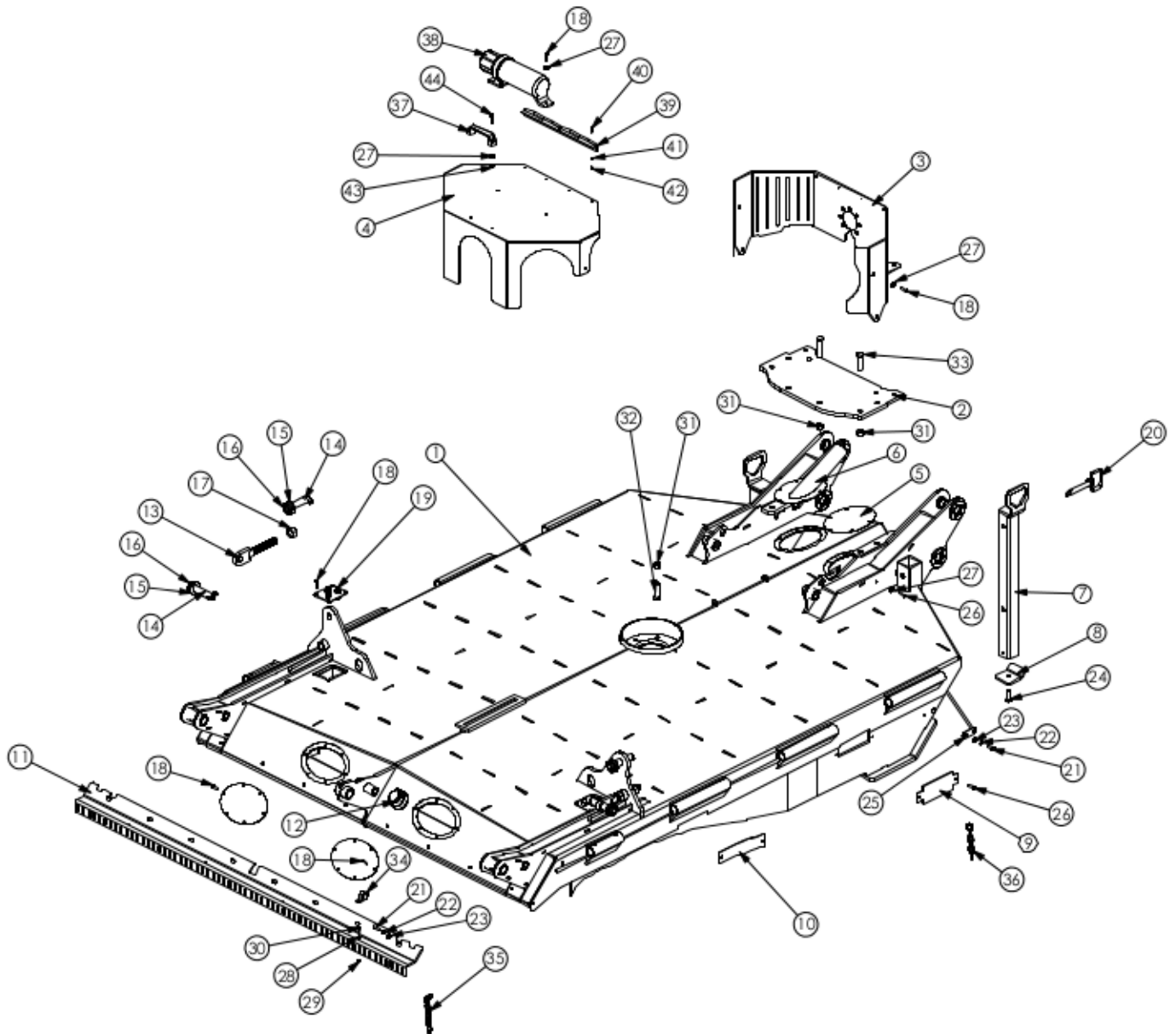
The information contained in this manual is correct at the time of publication. However, in the course of constant development, changes in specification are inevitable. Should you find the information given in this book different to the machine it relates to, please contact the "After Sales Department" for advise.

Key:

(LH) = Left hand
(RH) = *Right hand*

Notes:

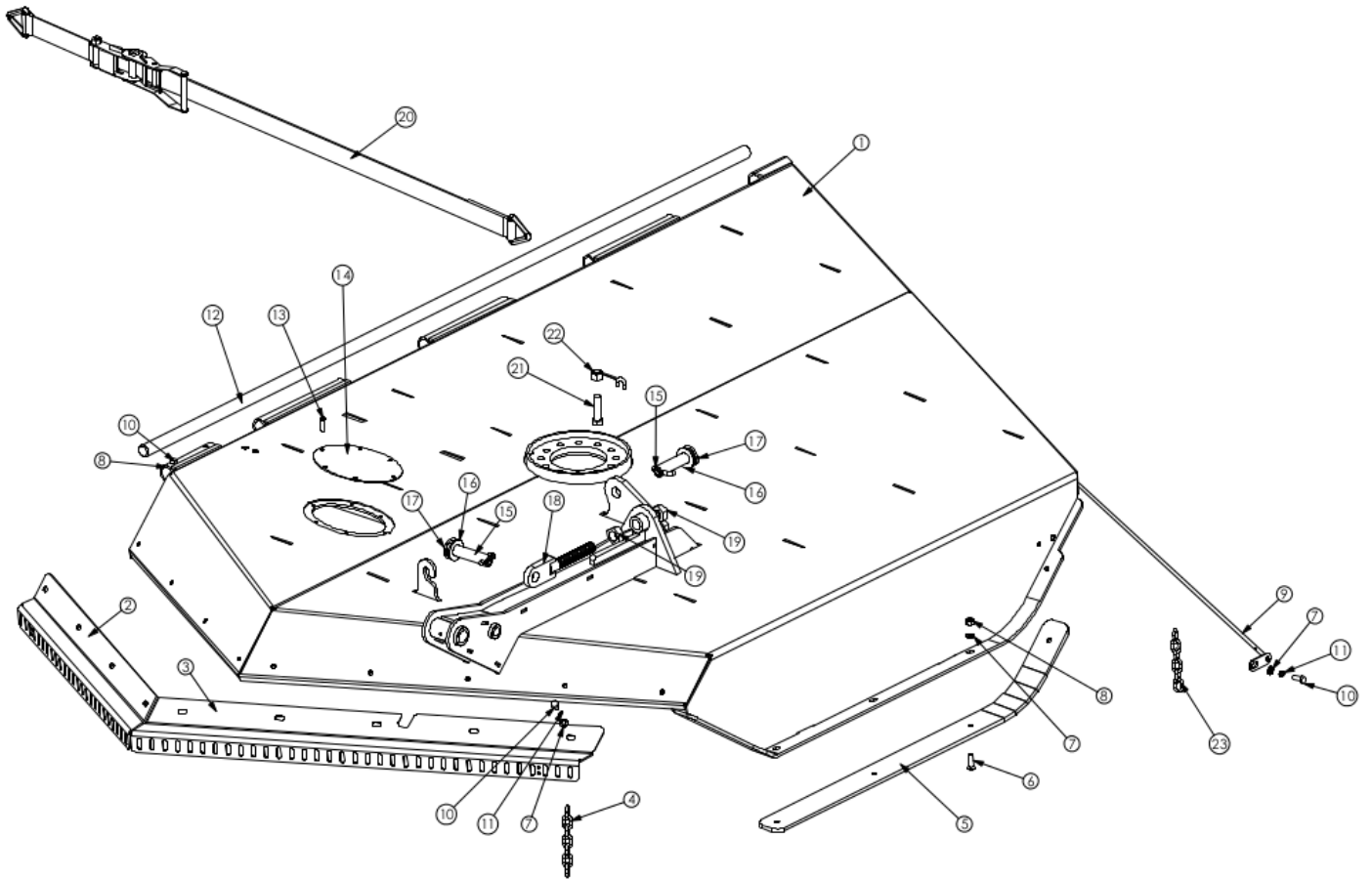
CENTRE SECTION - S180025.70



CENTRE SECTION - S180025.70

Ref No	Part No.	Qty	Description
1	180600	1	CENTRE DECK
2	180608	1	PLATE
3	180978	1	SPLITTER BOX GUARD MOUNT
4	180979	1	SPLITTER BOX GUARD
5	180603	3	COVER
6	180199	1	HOSE TUBE
7	180609	2	LEG BOX
8	180634	2	LEG PLATE
9	180780	2	PLATE
10	180781	2	PLATE
11	180658	1	CHAIN GUARD
12	8770740	1	LIGHT LOOM
13	180611	2	ADJUSTER BOLT
14	180602	4	PIN
15	05.281.16	4	WASHER
16	00.372.01	4	LYNCH PIN
17	2770460	4	NUT
18	2770370	40	BUTTON BOLT
19	180195	2	BULKHEAD ASSY
20	6310215	4	PIN
21	2770407	8	BOLT
22	2770469	8	WASHER
23	2770434	8	WASHER
24	2770461	2	CSK BOLT
25	180665	2	RETAIN BAR
26	2770402	8	BOLT
27	2771408	10	WASHER
28	2770432	12	WASHER
29	2770373	10	NUT
30	2770613	6	BOLT
31	2770447	14	NUT
32	2770563	12	BOLT
33	05.291.39	4	BOLT
34	3850103	3	P-CLIP
35	46943.21	94	CHAIN - 7 LINK
36	8770623	24	CHAIN - 6 LINK
37	8777513	1	HANDLE
38	46505.01	1	DOCUMENT FLASK
39	180607	1	HINGE
40	2770580	8	SCREW
41	2770391	8	WASHER
42	2770394	11	NUT
43	2770416	4	NUT
-	42654.08	4	BUSH

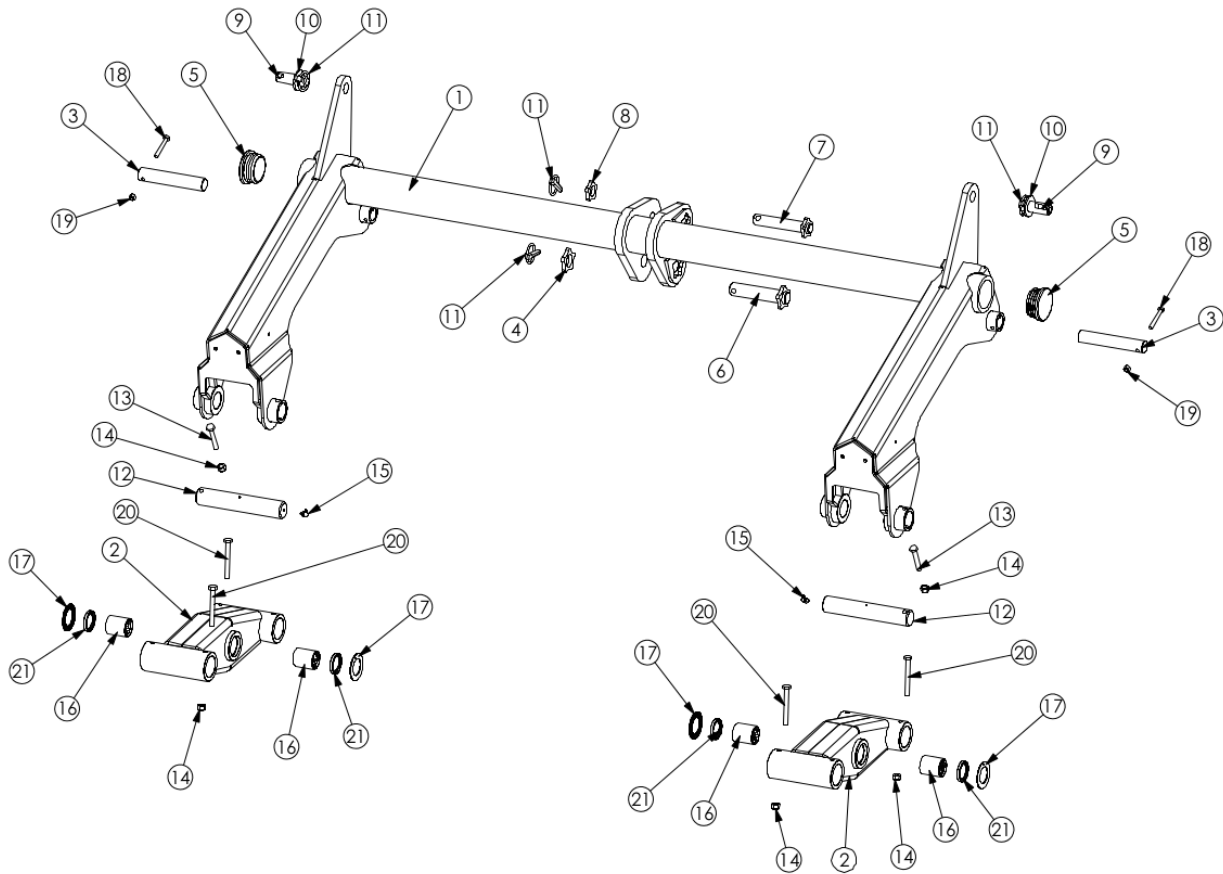
WING SECTION - S180025.71/72



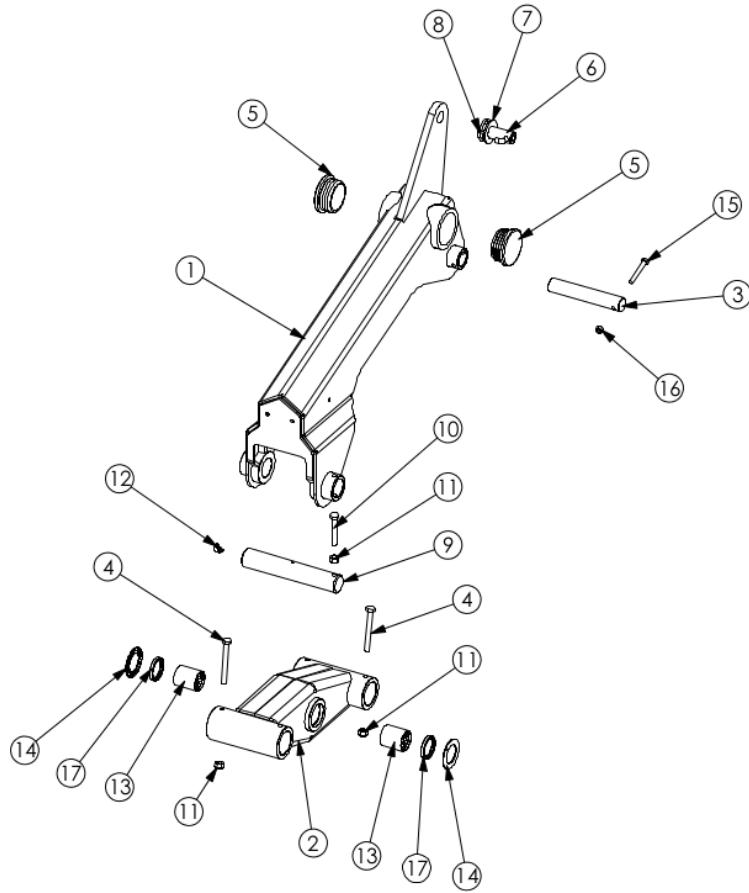
WING SECTION - S180025.71/72

Ref No	Part No.	Qty	Description
1	180922	1	RH WING DECK
	180921	1	LH WING DECK
2	180616	1	RH INNER GUARD
	180615	1	LH INNER GUARD
3	180618	1	RH OUTER GUARD
	180617	1	LH INNER GUARD
4	46943.21	111	CHAIN – 7 LINK
5	180619	1	SKID
6	2770509	5	CSK BOLT
7	2770434	5	WASHER
8	2770412	5	NUT
9	180621	1	RETAIN BAR
10	2770407	9	BOLT
11	2770469	9	WASHER
12	180614	1	HINGE BAR
13	2770370	6	BOLT
14	180603	1	COVER
15	180602	1	PIN
16	05.281.16	2	WASHER
17	00.372.01	2	LYNCH PIN
18	18 0611	1	ADJUSTER BOLT
19	2770460	2	NUT
20	6310256		RACHET STRAP
21	2770563	6	BOLT
22	2770447	6	NUT
23	8770623	15	CHAIN – 6 LINK
-	42654.08	2	BUSH

CENTRE AXLE - S180025.I10



Ref No	Part No.	Qty	Description
1	181521	1	CENTRE AXLE
2	181392	2	WHEEL BOGEY
3	03.654.89	2	PIN
4	180851	1	STAR WASHER - 30MM
5	8777512	2	PLASTIC CAP
6	180853	1	STAR PIN
7	180852	1	STAR PIN
8	180850	1	STAR WASHER- 25.4MM
9	180602	2	PIN
10	05.281.16	2	WASHER
11	00.372.01	4	LYNCH PIN
12	180626	2	PIN
13	05.291.20	2	BOLT
14	2770412	6	NUT
15	2770497	2	GREASE NIPPLE
16	4600156	4	BUSH
17	4600420	4	THRUST WASHER
18	2770430	2	BOLT
19	2770416	2	NUT
20	05.292.12	4	BOLT
21	4771505	4	GREASE SEAL

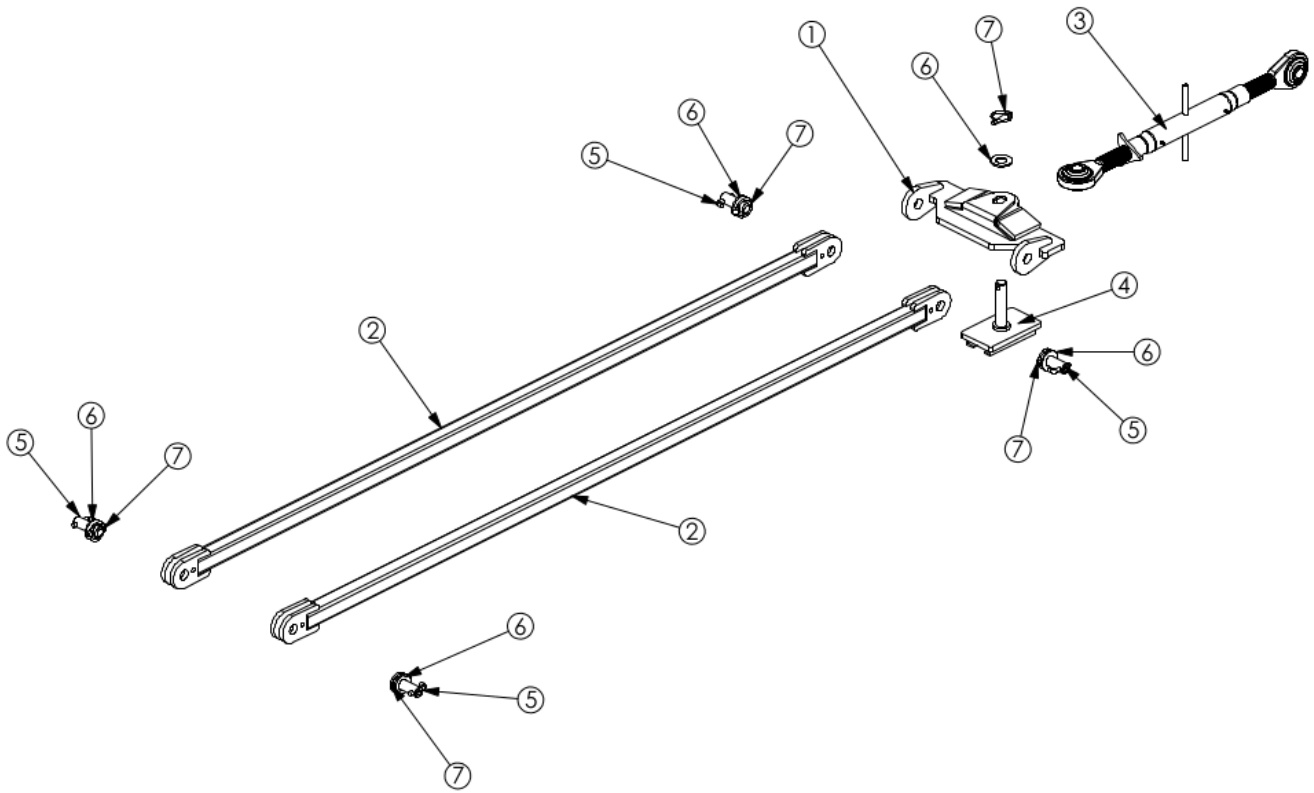


Ref No	Part No.	Qty	Description
1	181391	1	WING AXLE
2	181392	1	WHEEL BOGEY
3	03.654.89	1	PIN
4	05.292.12	2	BOLT
5	8777512	2	PLASTIC CAP
6	180602	1	PIN
7	05.281.16	1	WASHER
8	00.372.01	1	LYNCH PIN
9	180626	1	PIN
10	05.291.20	1	BOLT
11	2770412	2	NUT
12	2770497	1	GREASE NIPPLE
13	4600156	4	BUSH
14	4600420	4	THRUST WASHER
15	2770430	1	BOLT
16	2770416	1	NUT
17	4771505	2	GREASE SEAL

STD DRAWBAR - SI80025.75

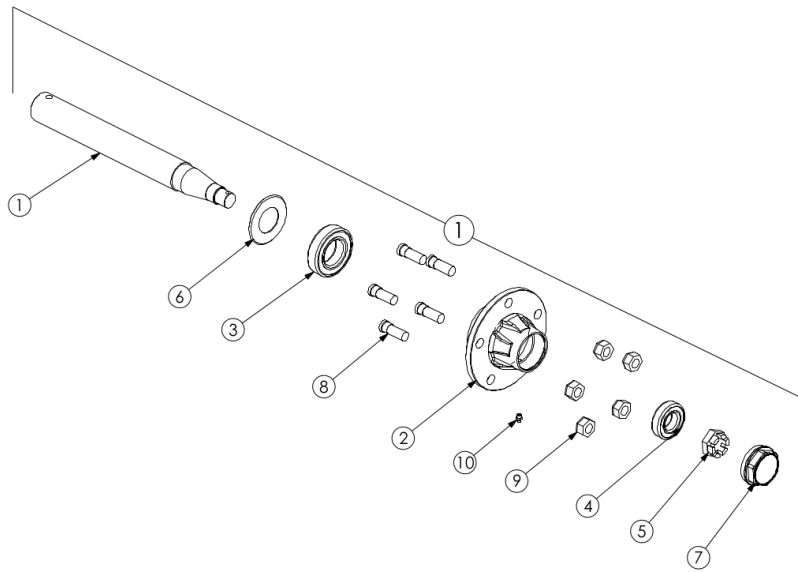
Ref No	Part No.	Qty	Description
1	180630	1	DRAWBAR
2	180174	1	PARALLEL LINK
3	180635	2	CONNECTING LINK
4	180632	2	DRAG LINK
5	180853	4	STAR PIN
6	180851	4	STAR WASHER
7	6310222	4	LYNCH PIN
8	00.372.01	6	LYNCH PIN
9	05.281.16	10	WASHER
10	2770467	4	GREASE NIPPLE
11	180625	2	PIN
12	180602	4	PIN
13	05.255.40	1	BOLT
13	0212569	1	BOLT
14	180620	4	WASHER
15	05.296.08	2	NUT
16	180629	1	STD TOWING EYE
16	180649	-	SWIVEL TOWING EYE
16	180664	-	SCHARMULLER K80 TOWING EYE
17	180620	2	SPACER
18	181020	1	PTO SUPPORT
19	4600139	1	THRUST WASHER
20	1770692	1	HOSE GUIDE
21	2770396	2	BOLT
22	2770412	2	NUT
23	8777512	2	PLASTIC CAP
24	2770481	1	BOLT
25	2770417	1	NUT

TIE-BAR ASSEMBLY - S180025.76



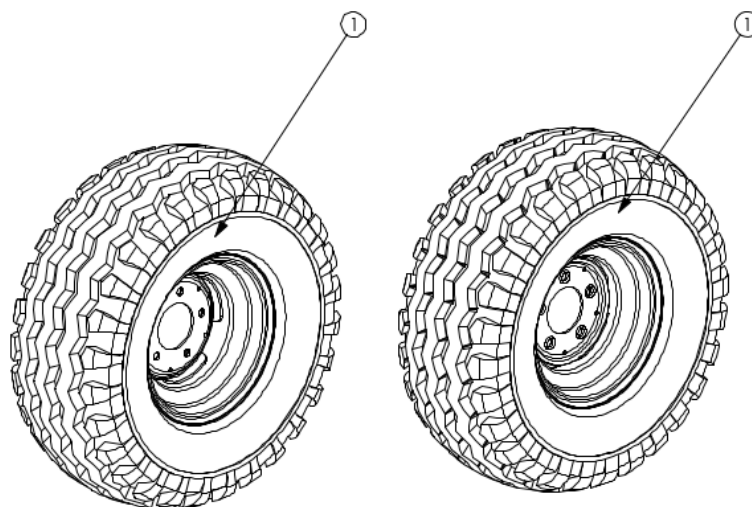
Ref No	Part No.	Qty	Description
1	180198	1	TIE BAR PLATE
2	180196	2	TIE BAR
3	6310257	1	TIE BAR ADJUSTER
4	180197	1	TIE BAR PIN
5	180602	4	PIN
6	05.281.16	6	WASHER
7	00.372.01	6	LYNCH PIN

STUB AXLES- SI80025.99



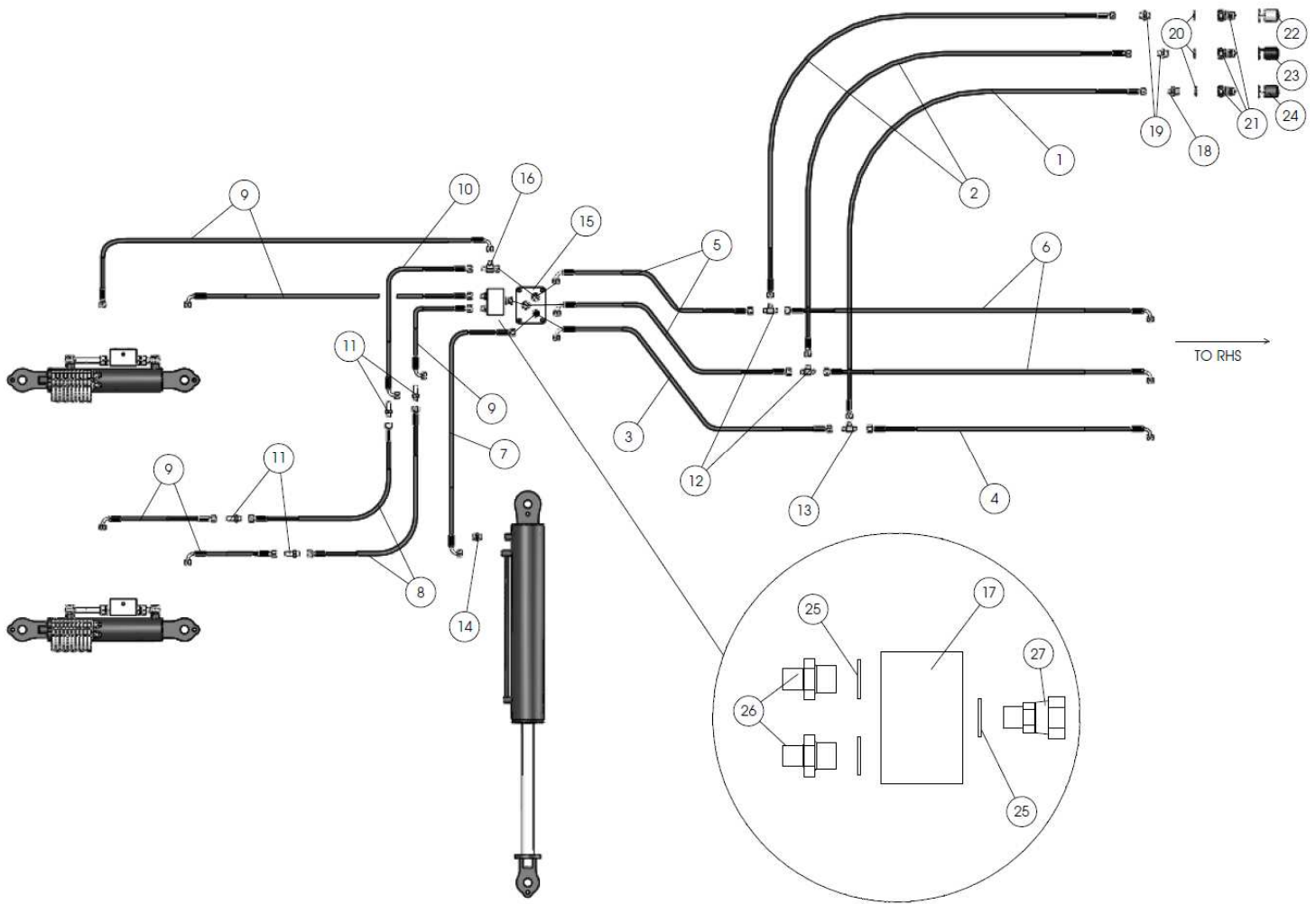
Ref No	Part No.	Qty	Description
1	6770596	2	STUB AXLE
1	6770596.01	1	AXLE
2	6770596.02	1	HUB
3	4770660	1	INNER BEARING
4	4770659	1	OUTER BEARING
5	6770583	1	CASTLE NUT
6	4770661	1	REAR SEAL
7	6770580	1	DUST CAP
8	6770579	5	STUD
9	6770578	5	NUT
10	-	1	GREASE NIPPLE

WHEELS AND TYRES- SI80025.24



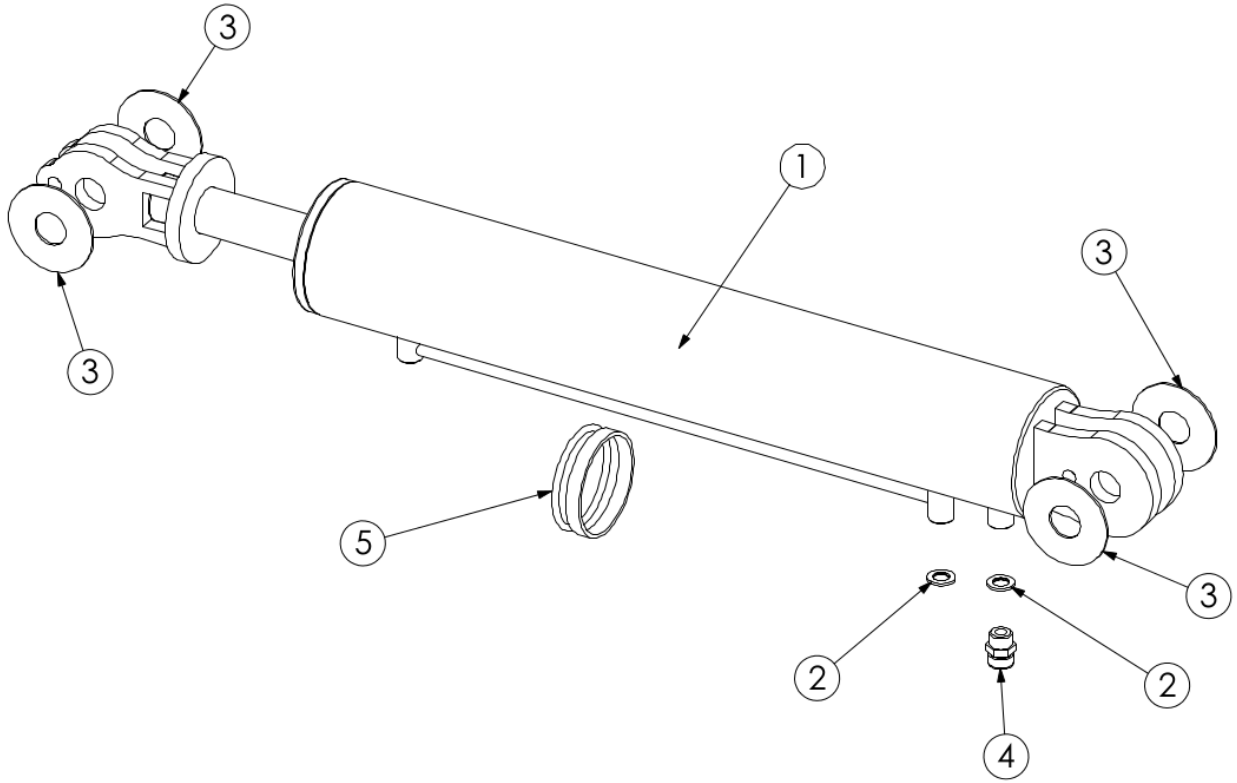
Ref No	Part No.	Qty	Description
1	6550142B	2	WHEEL AND TYRE ASSY

HYD CIRCUIT - S180025.80



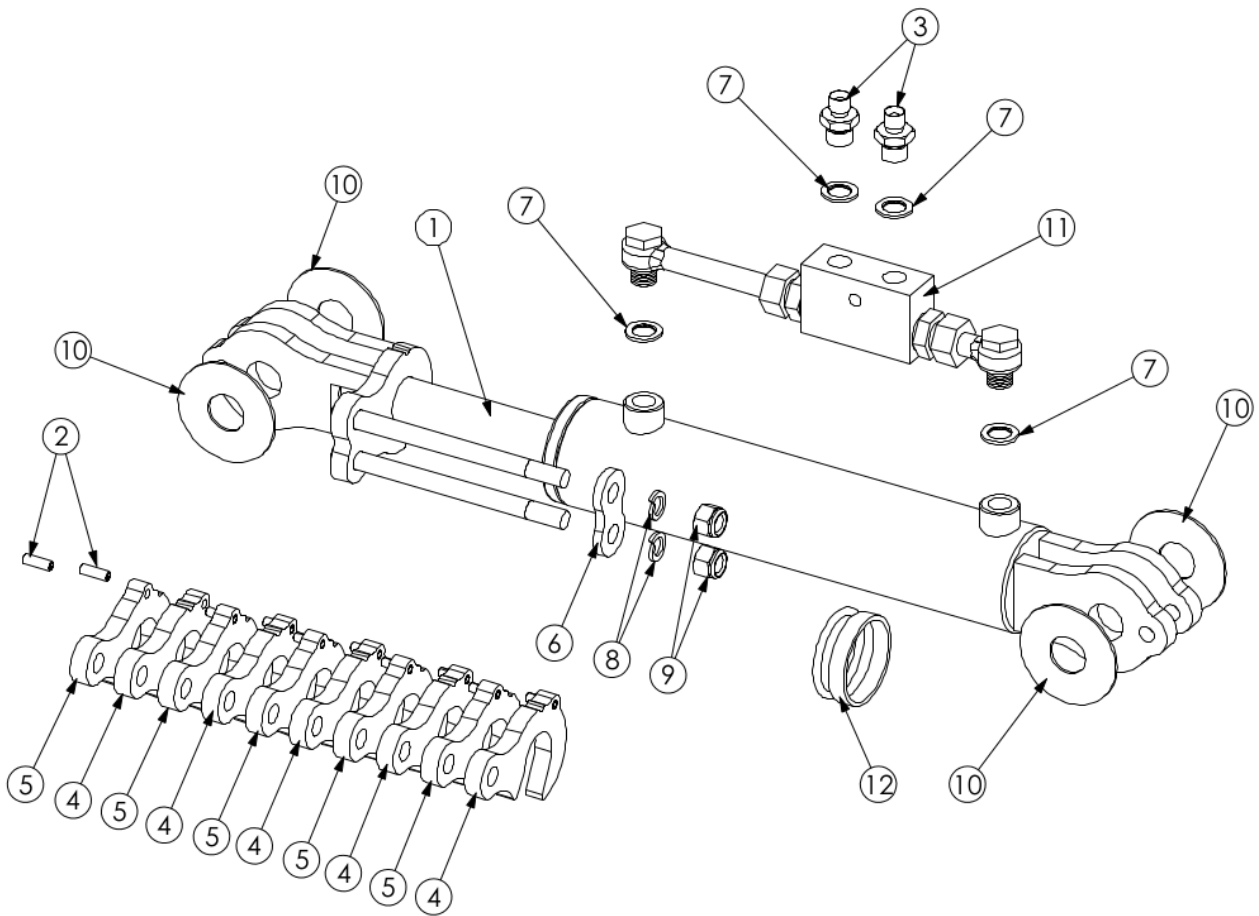
Ref No	Part No.	Qty	Description
-	3770648	-	HOSE KIT - 500
-	41.277.02	1	HOSE SLEEVE
1	3770648.01	1	HOSE - 5650MM
2	3770648.02	1	HOSE - 5650MM
3	3770640.04	1	HOSE - 700MM
4	3770640.09	1	HOSE - 1200MM
5	3770648.03	2	HOSE - 700MM
6	3770648.04	2	HOSE - 1200MM
7	3770640.11	2	HOSE - 635MM
8	3770640.03	4	HOSE - 1200MM
9	3770640.02	10	HOSE - 595MM
10	3770640.10	2	HOSE - 620MM
11	3460122	8	ADAPTOR
12	04.056.05	2	ADAPTOR
13	3460100	1	ADAPTOR
14	3570659	2	BREATHER
15	180195	-	BULKHEAD PLATE
16	04.056.29	2	ADAPTOR
17	3600128	2	FLOW DIVIDER
18	3750154A	1	RESTRICTOR
19	3360088	2	ADAPTOR
20	3260072	3	BONDED SEAL
21	8590074	3	MALE COUPLING
22	T5386	1	DUST CAP - YELLOW
23	3770236	1	DUST CAP - RED
24	3770237	1	DUST CAP - BLUE
25	3260071	6	BONDED SEAL
26	3360083	4	ADAPTOR
27	02.714.01	2	ADAPTOR
28	06.693.01	10	CABLE TIE - RED
29	06.693.02	10	CABLE TIE - BLUE
30	06.693.04	10	CABLE TIE - YELLOW

WING RAM ASSEMBLY - S180025.21



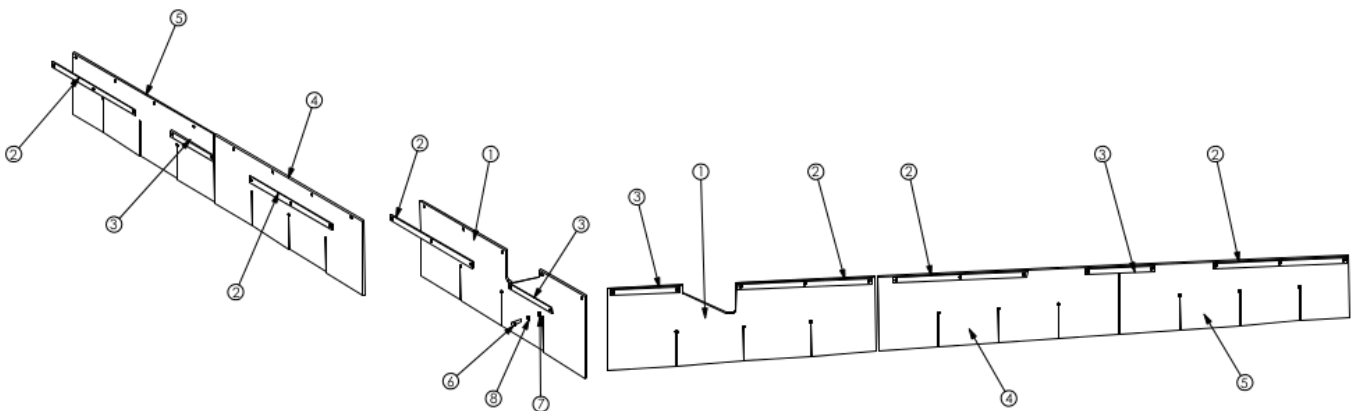
Ref No	Part No.	Qty	Description
1	3580672	2	RAM ASSEMBLY
2	3260070	4	BONDED SEAL
3	180620	8	SPACER
4	3570659	-	BREATHER
5	3580672.04	-	SEAL KIT

HEIGHT RAM ASSEMBLY - S180025.20



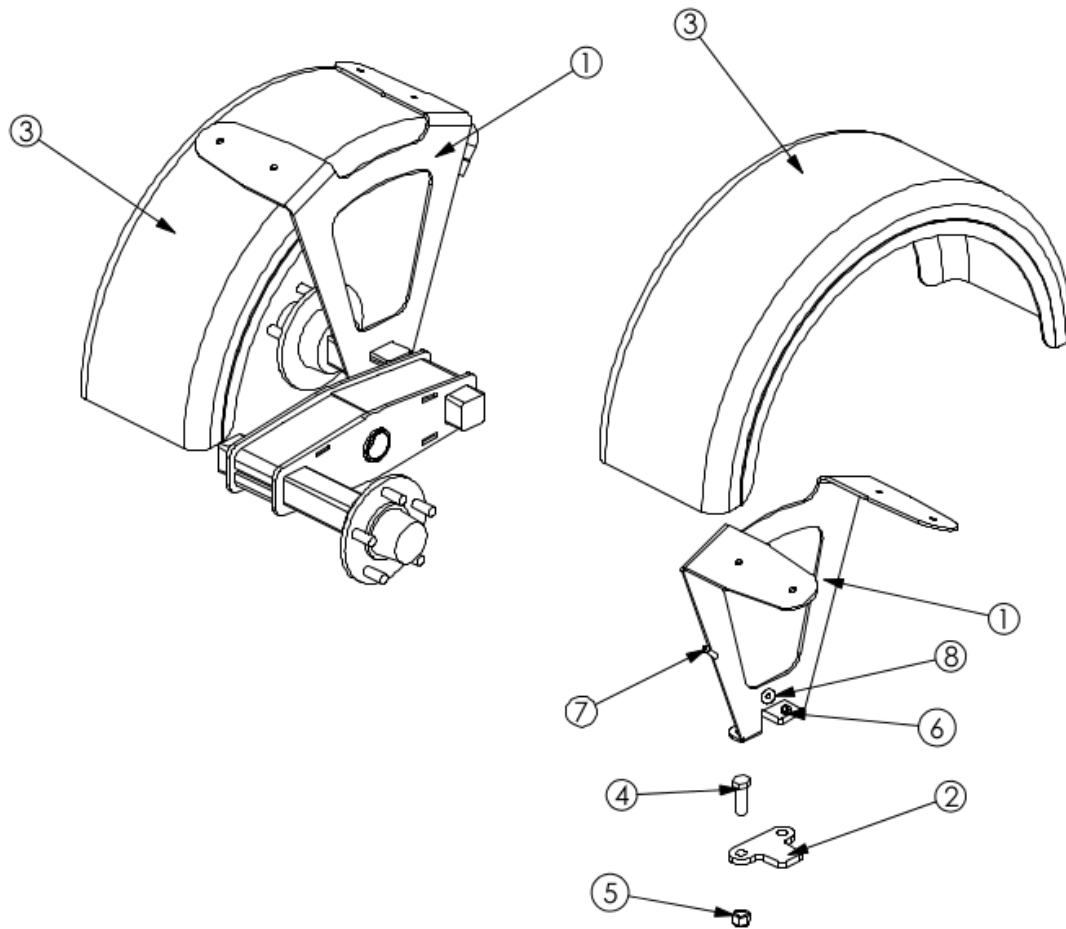
Ref No	Part No.	Qty	Description
1	3580703	1	RAM ASSEMBLY
2	2770526	10	ROLL PIN
3	3360083	2	ADAPTOR
4	180639	5	SPACER
5	180640	5	SPACER
6	180641	1	PLATE
7	3260071	4	BONDED SEAL
8	2770442	2	SPRING WASHER
9	2770417	2	NUT
10	180620	4	SPACER
11	3600147	-	DUAL PILOT CHECK VALVE
12	3580671.06	-	SEAL KIT

FRONT FLAP KIT - S180025.88



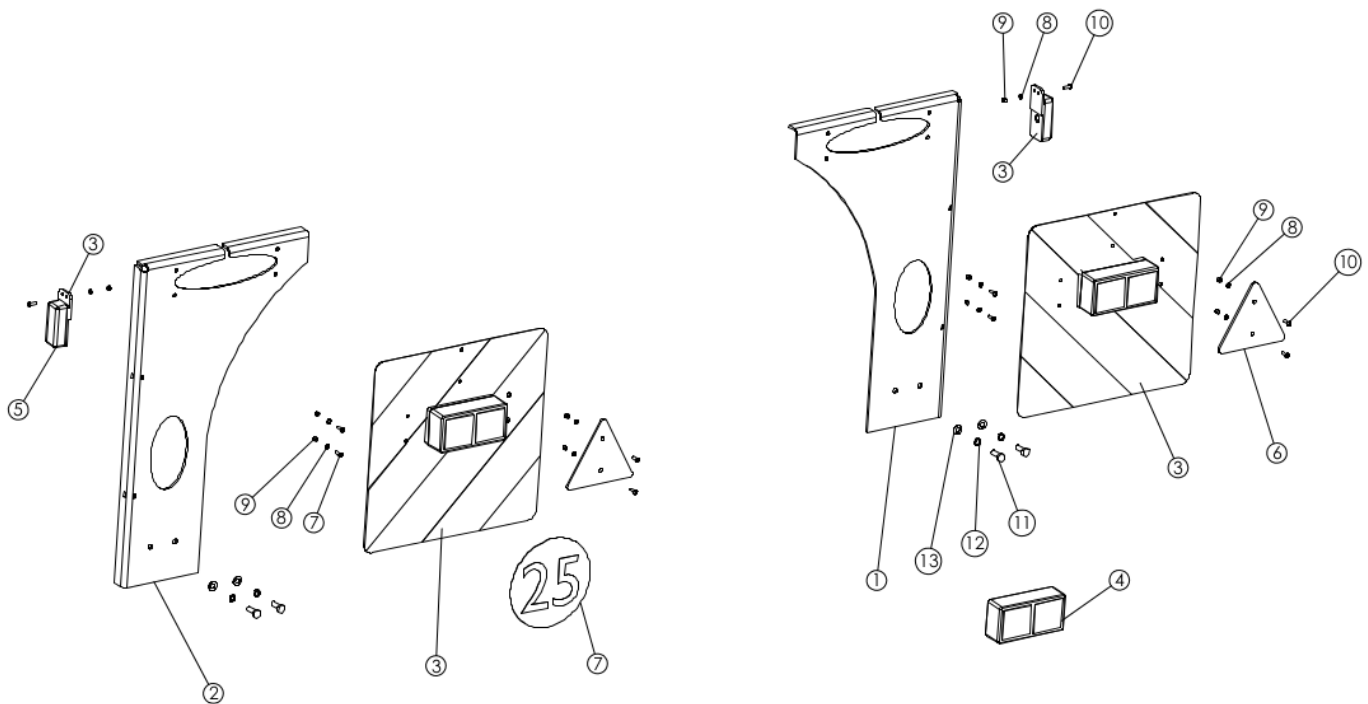
Ref No	Part No.	Qty	Description
1	8770440	2	CENTRE FLAP
2	180200	6	RETAINER STRIP
3	180201	4	RETAINER STRIP
4	8770441	2	MIDDLE FLAP
5	8770442	2	OUTER FLAP
6	2770396	26	BOLT
7	2770434	26	WASHER
8	2770469	26	SPRING WASHER

MUD GUARD KIT - SI80025.90



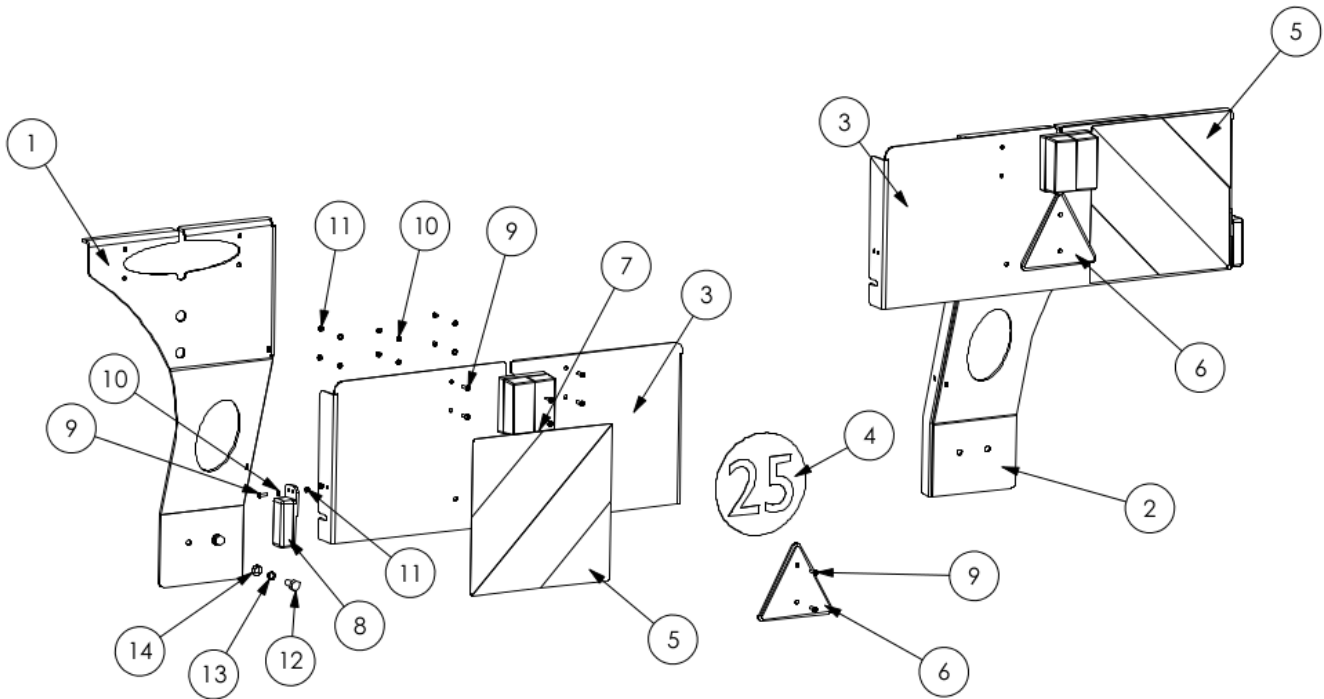
Ref No	Part No.	Qty	Description
1	180202	4	MUD GUARD BRACKET
2	180203	4	CLAMP PLATE
3	8770775	4	PLASTIC MUD GUARD
4	2770425	8	BOLT
5	2770447	8	NUT
6	2770416	16	NUT
7	2770589	16	BOLT
8	2770244	16	WASHER

EURO LIGHT KIT - S180025.62



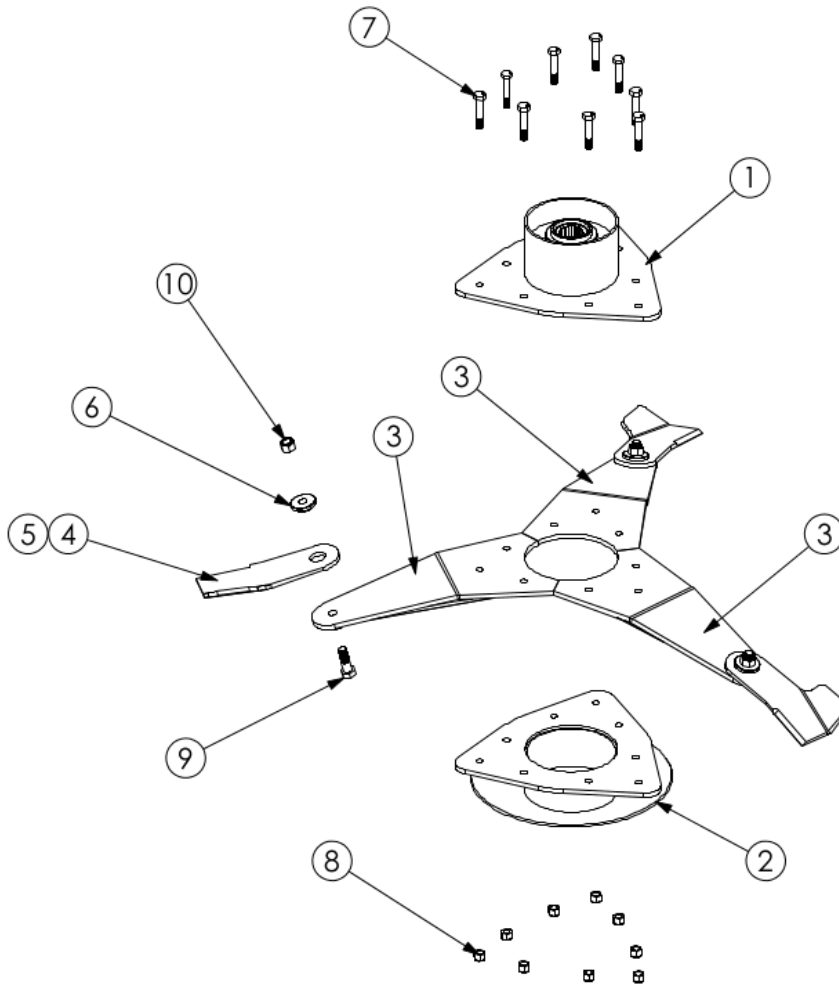
Ref No	Part No.	Qty	Description
1	180932	1	RH LIGHT ARM
2	180931	1	LH LIGHT ARM
3	8770742	1	REAR LIGHT LOOM
4	8770659A	2	REPLACEMENT LENS
5	8770745	2	SIDE-LIGHT LENS
-	8770744	2	COMPLETE UNIT
6	8770722	2	REFLECTOR - TRIANGLE
7	8770392	1	25K STICKER
8	2770391	16	WASHER
9	2770394	16	NUT
10	2770580	16	SCREW
11	2770407	4	BOLT
12	2770469	4	SPRING WASHER
13	2770434	4	WASHER
-	7560155	6	ADHESIVE REFLECTOR - YELLOW
-	3850103	10	P - CLIP
-	2770371	10	BOLT
-	2771408	10	WASHER

FRENCH LIGHT KIT - S180025.94



Ref.	Part No.	Qty.	Description.
1	181053	1	LH REAR LIGHT BRACKET
2	181054	1	RH REAR LIGHT BRACKET
3	180084	2	AGICUT MARKER LIGHT BOARD
4	8770392	1	25KPH DECAL
5	1290819	2	MARKER BOARD DECAL
6	8770722	2	WARNING TRIANGLE-REFLECTOR
7	8770747	1	LOOM AND LIGHT ASSEMBLY
-	8770817	2	REPLACEMENT LENS
8	8770745	2	SIDE-LIGHT LENS
-	8770744	2	COMPLETE UNIT
9	2770580	20	PAN HEAD SCREW
10	2770391	20	FLAT WASHER
11	2770394	20	NYLOCK NUT
12	2770407	4	BOLT
13	2770469	4	SPRING WASHER
14	2770434	4	FLAT WASHER
-	3580103	6	P CLAMP - 15MM
-	2770402	6	BOLT
-	2770432	6	FLAT WASHER
-	7560155	6	ADHESIVE REFLECTOR - YELLOW

MP3 BLADE CARRIER ASSEMBLY - S180025.77



Ref No	Part No.	Qty	Description
1	180764	3	UPPER - BLADER CARRIER
2	180765	3	LOWER - BLADE CARRIER
-	7770750	-	REPLACEABLE DISH - LARGE
-	7770732	-	REPLACEABLE DISH - SMALL
3	180204	9	BLADE HOLDER
-	180762.02	-	REPLACEABLE HEX WASHER
-	180204.03	-	REPLACEABLE BRACE PLATE
4	7770759	6	RH BLADE
5	7770758	3	LH BLADE
6	7770757	9	BLADE BUSH
7	2770638	27	BOLT
8	2770447	27	NUT
9	2770557	9	BLADE BOLT
10	2770409	9	NUT

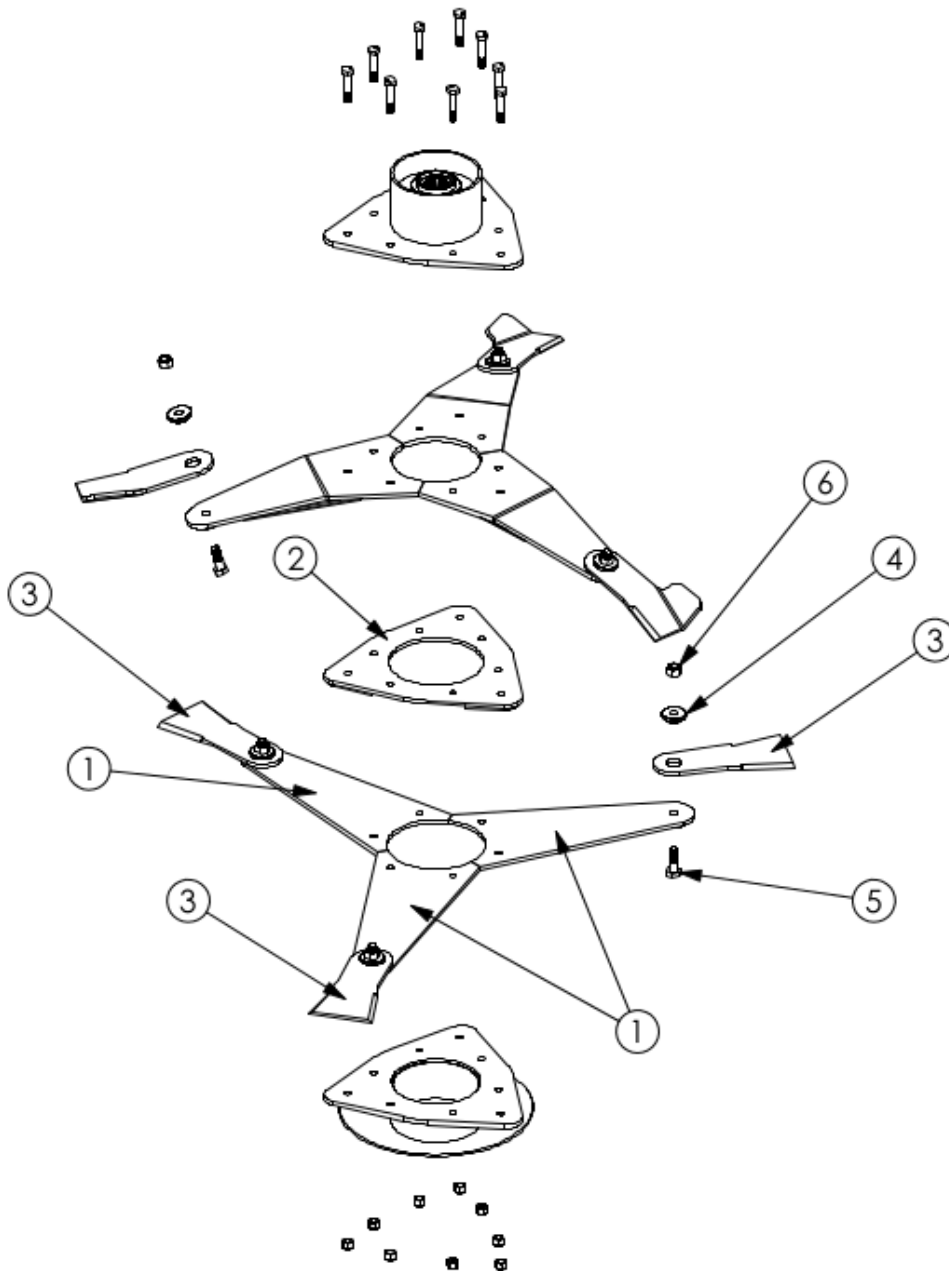
Note

Torque Settings

2770638 - (10.9) = 210Nm.

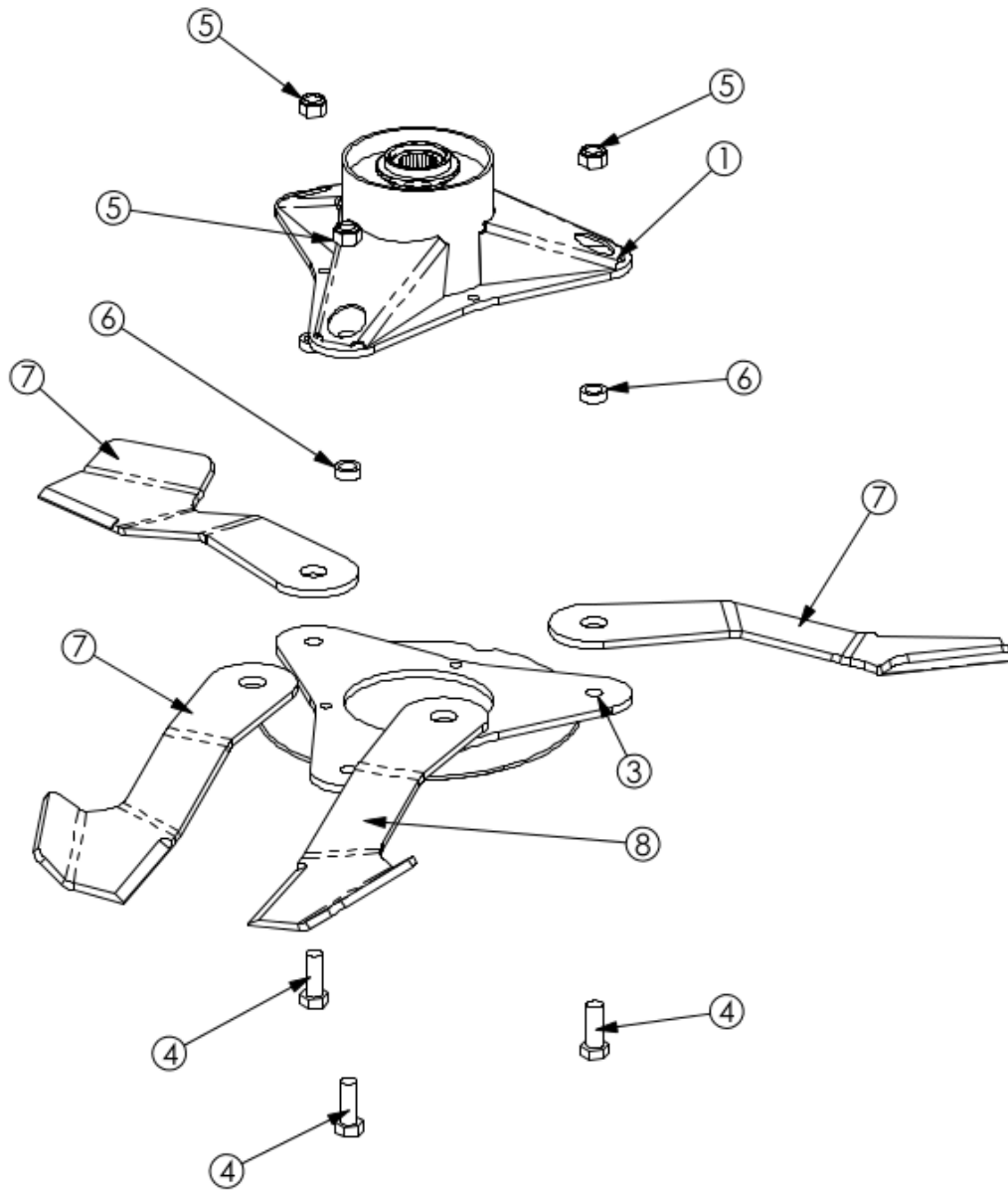
2770557 - (8.8) = 425Nm.

MP6 STARCUT BLADE CARRIER ASSEMBLY - S180025.65



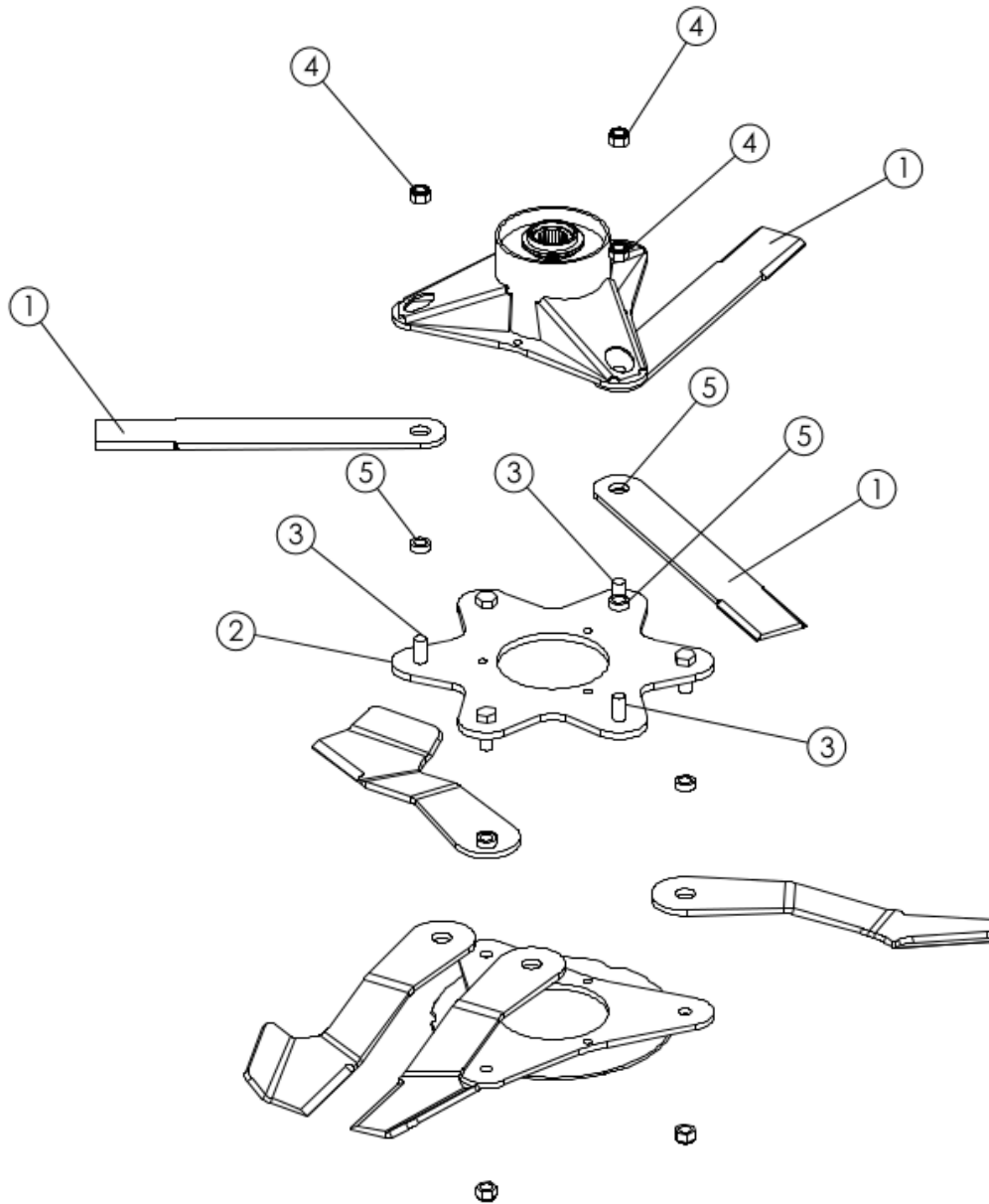
Ref No	Part No.	Qty	Description
1	180857	9	STARCUT BLADE CARRIER
2	180015	3	STARCUT SPACER PLATE
3	7770755	9	STARCUT BLADE
4	7770757	9	BLADE BUSH
5	2770557	9	BLADE BOLT
6	2770409	9	NUT

HD3 BLADE CARRIER ASSEMBLY - S180025.32



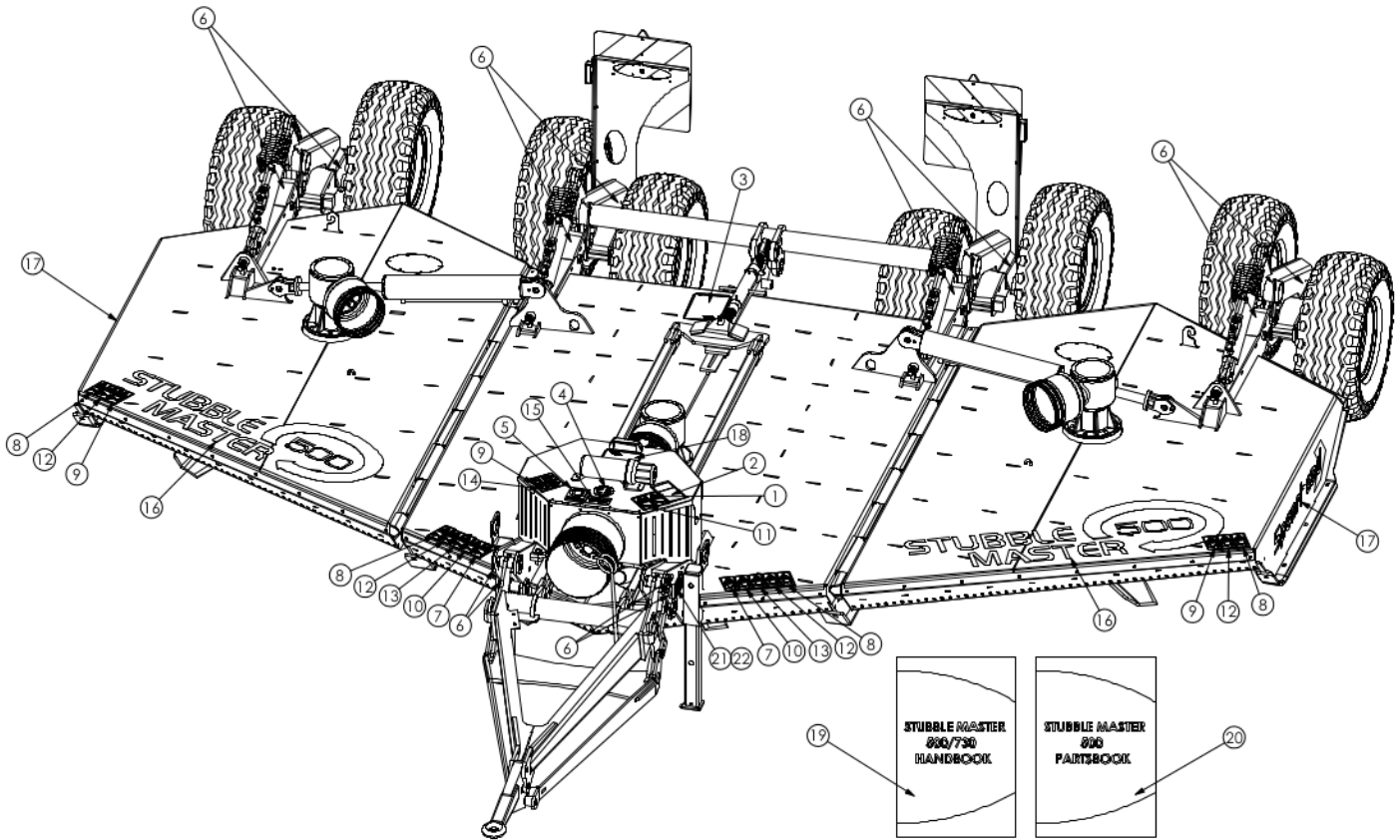
Ref No	Part No.	Qty	Description
1	180772	3	UPPER – BLADE CARRIER
2	180773	3	SPACER PLATE
3	180774	3	LOWER - BLADE CARRIER
4	2770339	9	BOLT
5	2770414	9	NUT
6	7770707	9	BLADE BUSH
7	7770752	6	RH HD BLADE
8	7770751	3	LH HD BLADE

HD6 STARCUT BLADE CARRIER ASSEMBLY - S180025.34



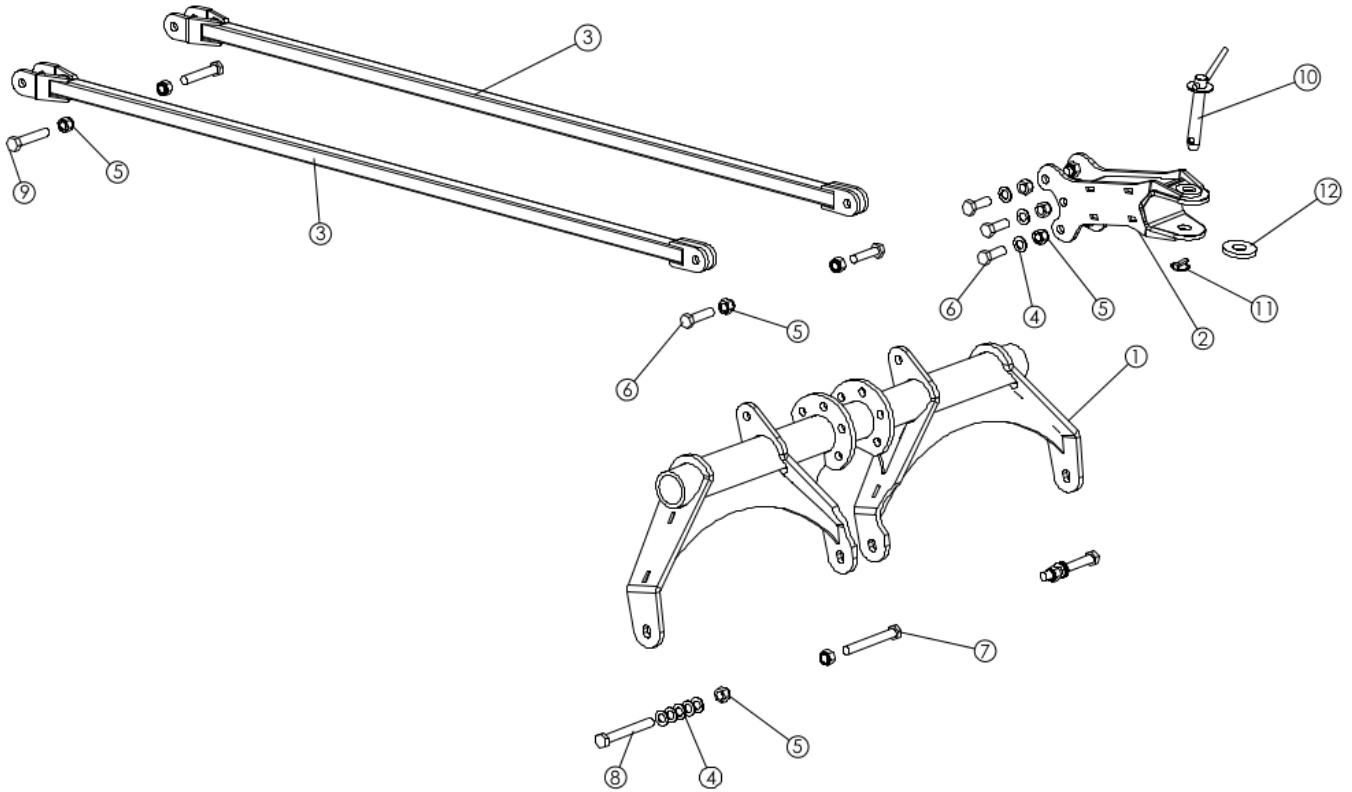
Ref No	Part No.	Qty	Description
1	046001	9	STARCUT BLADE
2	180778	3	STARCUT SPACER PLATE
3	2770339	9	BOLT
4	2770414	9	NUT
5	7770707	9	BLADE BUSH

500 DECALS - S180025.100



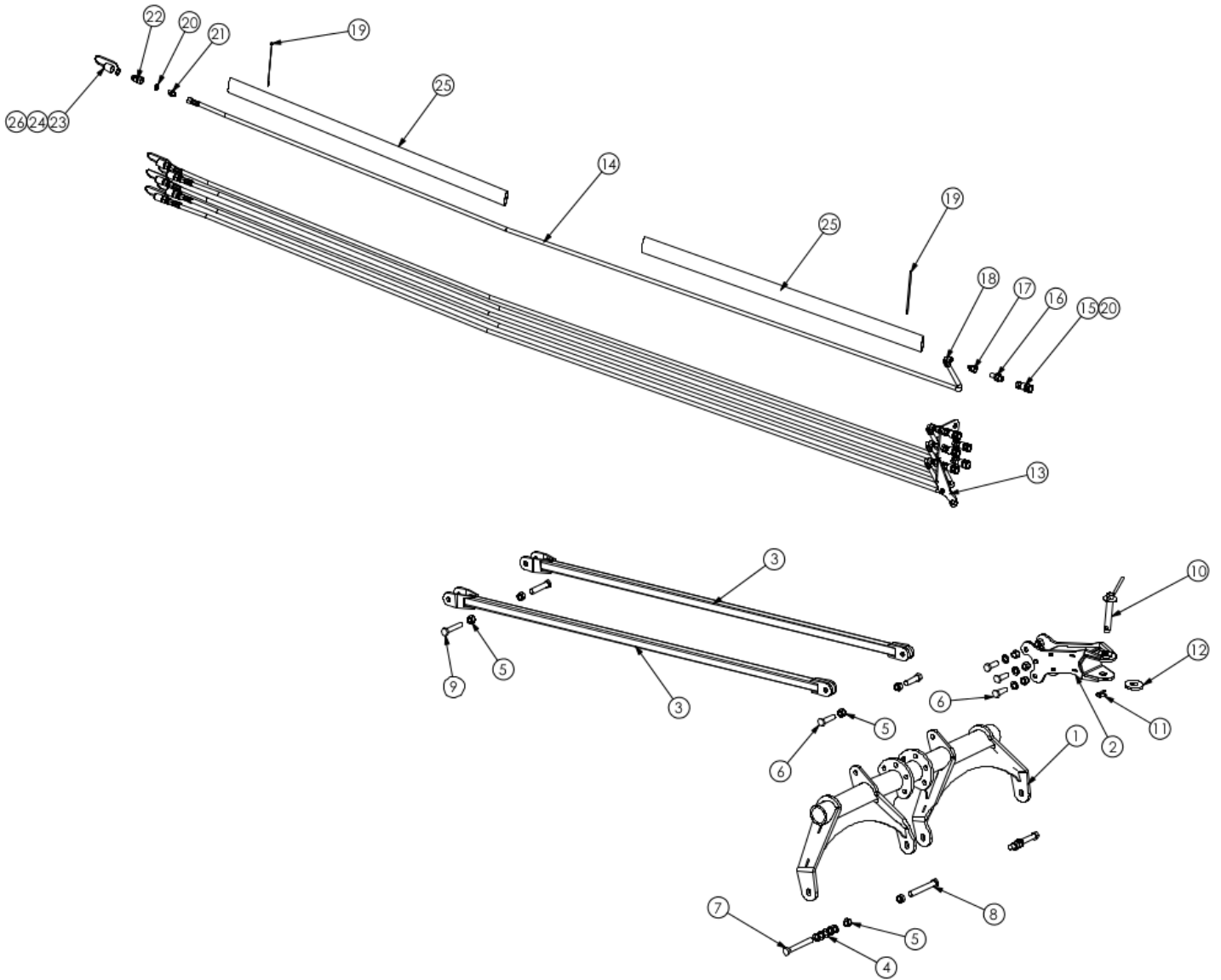
Ref No	Part No.	Qty	Description
1	8770363	1	READ OPERATORS MANUAL
2	8770367	1	LANGUAGES
3	8770351	1	RECCOMENDED CUTTING HEIGHTS
4	8770307	1	MANUFACTURED IN GB
5	8770439	1	HEARING PROTECTION
6	8770322	12	GREASE POINTS
7	8770451	2	NO RIDING ON MACHINE
8	8770361	4	STAY CLEAR OF MOWER
9	8770306	3	KEEP BOLTS TIGHT
10	8770355	2	SECURE LIFTING CYLINDERS
11	8770362	1	AVOID FLUID ESCAPING
12	8770357	4	KEEP A SAFE DISTANCE
13	8770368	2	DANGER FALLING WINGS
14	8770358	1	SHUT OFF ENGINE AND REMOVE KEY
15	8770323	1	RECCOMENDED PTO SPEED-1000
16	8770512	2	STUBBLE MASTER DECAL
17	8770371	2	SPEARHEAD - 840MM
18	8770455	1	SLIP CLUTCH WARNING DECAL
19	8999075	1	STUBBLE MASTER 500 - HANDBOOK
20	8999076	1	STUBBLE MASTER 500 - PARTS BOOK
21	8770330	1	SERIAL PLATE
22	2770200	4	RIVET

REAR DRAWBAR - S180025.27



Ref No	Part No.	Qty	Description
1	180667	1	DRAWBAR
2	180669	1	DRAWBAR - CLEVIS
3	181294	2	TIE BAR
4	2770517	13	WASHER
5	2770562	13	NUT
6	2770557	8	BOLT
7	05.292.48	1	BOLT
8	9213348	3	BOLT
9	05.292.44	2	BOLT
10	6310208	1	PIN
11	00.372.01	1	LYNCH PIN
12	4600139	2	WASHER

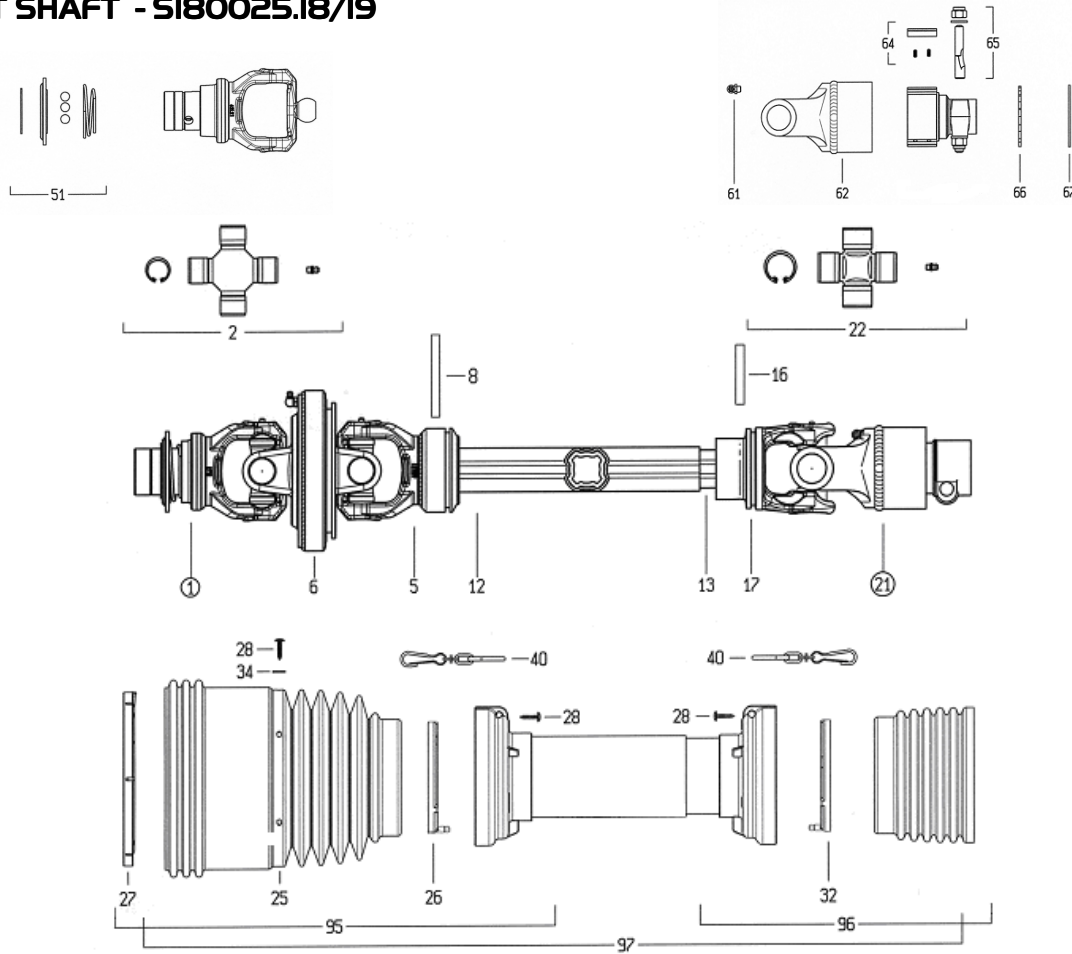
REAR DRAWBAR C/W HYD - S180025.102



REAR DRAWBAR C/W HYD - S180025.102

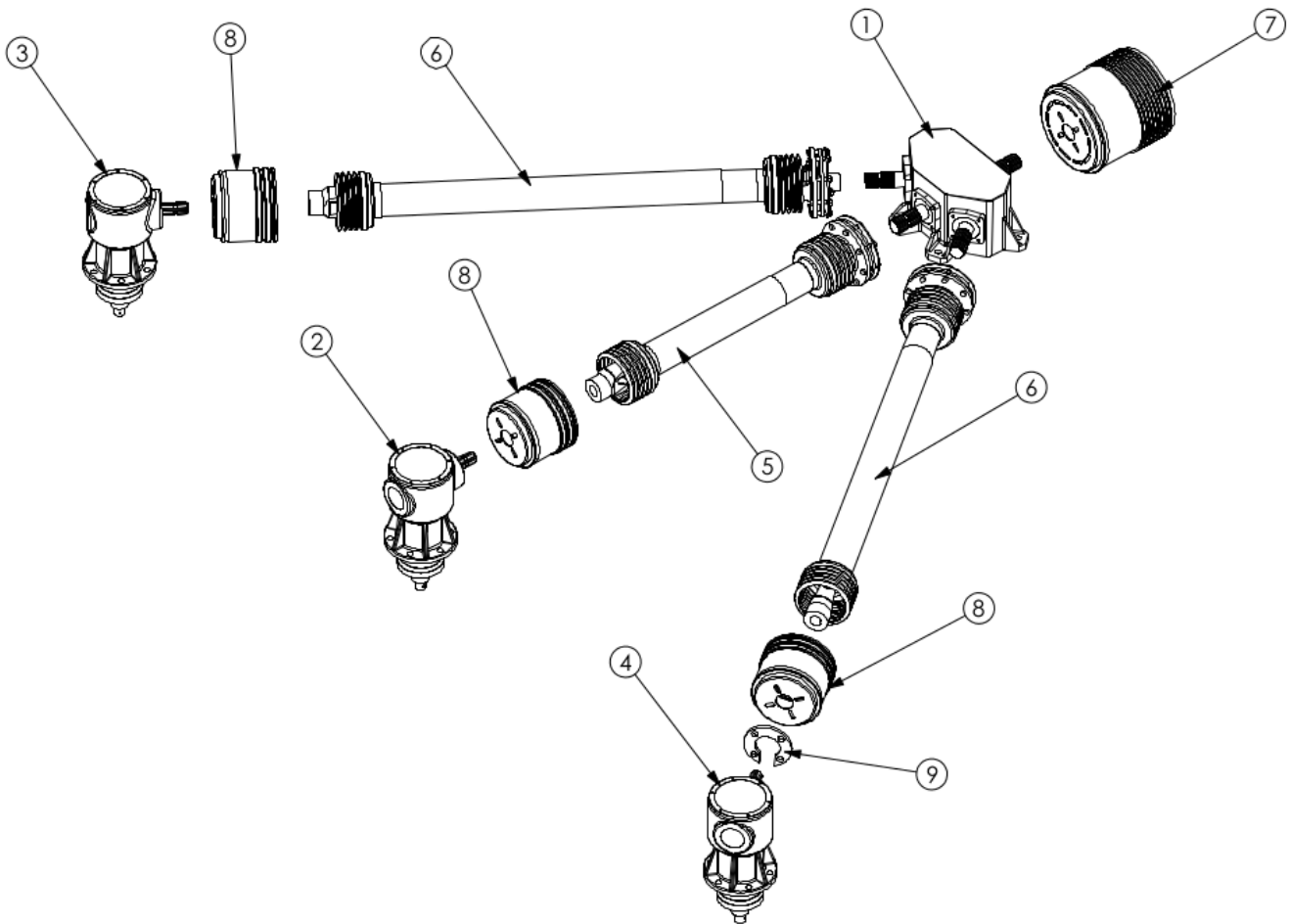
Ref No	Part No.	Qty	Description
1	180667	1	DRAWBAR
2	180669	1	DRAWBAR - CLEVIS
3	181294	2	TIE BAR
4	2770517	13	WASHER
5	2770562	13	NUT
6	2770557	8	BOLT
7	9213348	3	BOLT
8	05.292.48	1	BOLT
9	05.292.44	2	BOLT
10	6310208	1	PIN
11	00.372.01	1	LYNCH PIN
12	4600139	2	WASHER
13	180910	1	BRACKET
14	3770654	1	HOSE KIT
15	3750154	6	COUPLING
16	3700187	6	ADAPTOR
17	3360108	6	ADAPTOR
18	3770648.02	-	HOSE
19	06.023.01	20	CABLE TIE
20	3260072	12	BONDED SEAL
21	3360088	6	ADAPTOR
22	8590074	6	COUPLING
23	3700237	2	DUST CAP - BLUE
24	3700236	2	DUST CAP - RED
25	41.277.02	2	HOSE SLEEVING
26	T5386	2	DUST CAP - YELLOW

500 INPUT SHAFT - S180025.18/19



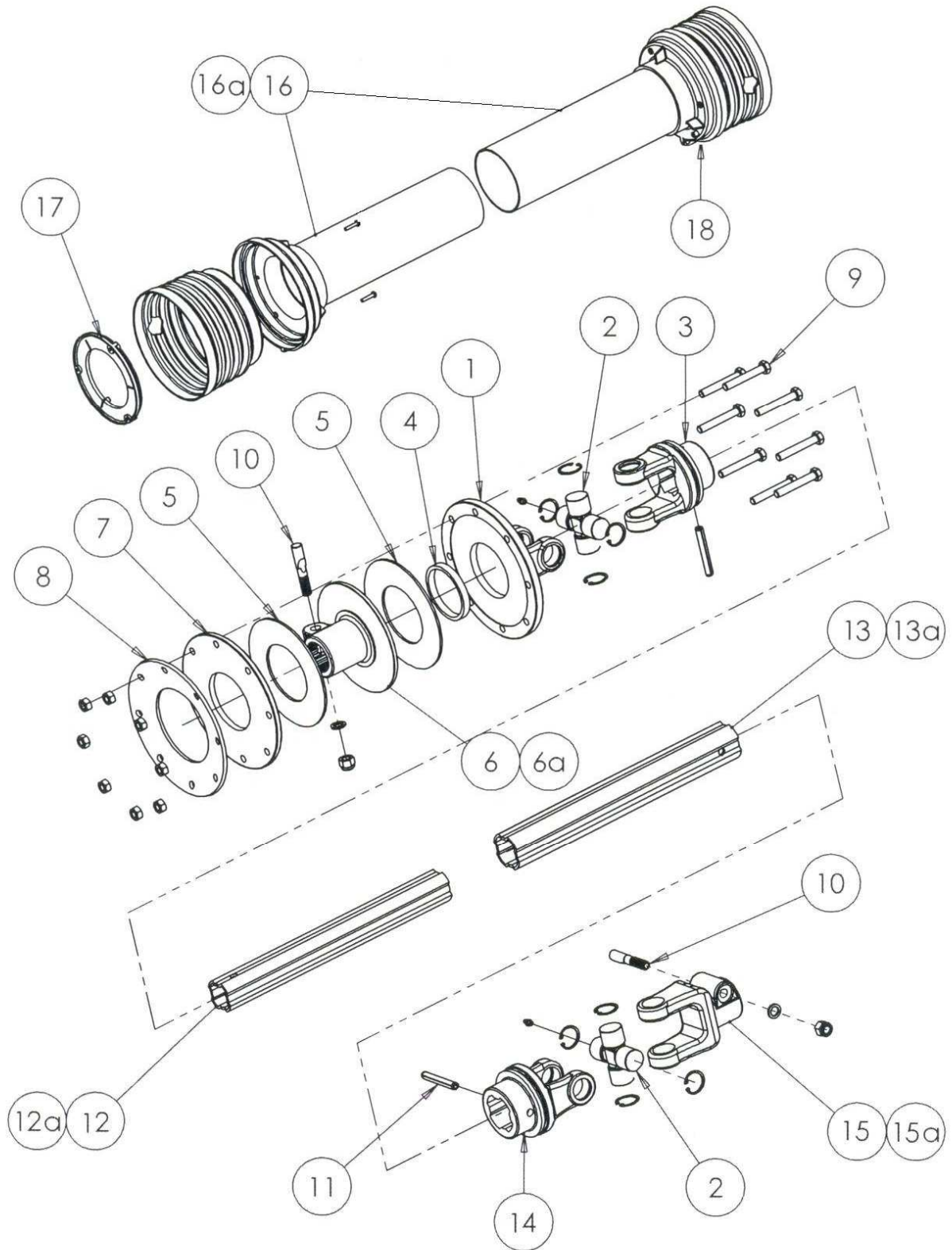
Ref No	Part No	Description
S180025.19	5792146	PTO ASSEMBLY 21 SPLINE (SFT 6)
S180025.18	5790646	PTO ASSEMBLY 6 SPLINE (SFT 6)
1	5790646/1	YOKE (6 SPLINE)
1	5792146/1	YOKE (21 SPLINE)
2	5792146/2	UJ (27MM)
5	5792146/3	YOKE
6	5792146/4	CENTRE BODY
12	5792146/5	EXTERNAL TUBE
13	5792146/6	INNER TUBE
17	5792146/7	YOKE
21	5792146/8	OVERRUN CLUTCH
22	5792146/9	UJ (30.2MM)
25	5792146/10	GUARD
26	5792146/11	OUTER BEARING
32	5792146/12	INNER BEARING
40	5792146/13	CHAIN
51	5792146/14	RELEASE RING
64	5792146/15	PAWL
65	5792146/16	TAPER PIN
95	5792146/17	HALF GUARD
96	5792146/18	HALF GUARD
97	5792146/19	COMPLETE GUARD

500 DRIVELINE - S180025.16



Ref No	Part No.	Qty	Description
1	5769999A	1	SPLITTER GEARBOX
2	5770005	1	CENTRE ROTOR GEARBOX
3	5770007	1	LH WING ROTOR GEARBOX
4	5770006	1	RH WING ROTOR GEARBOX
5	5770225	1	CENTRE SHAFT
6	5770230	2	WING SHAFT
7	21839.01	1	INPUT CONE
8	5770105A	3	ROTOR GEARBOX CONE
9	1800062	1	CONE SPACER PLATE

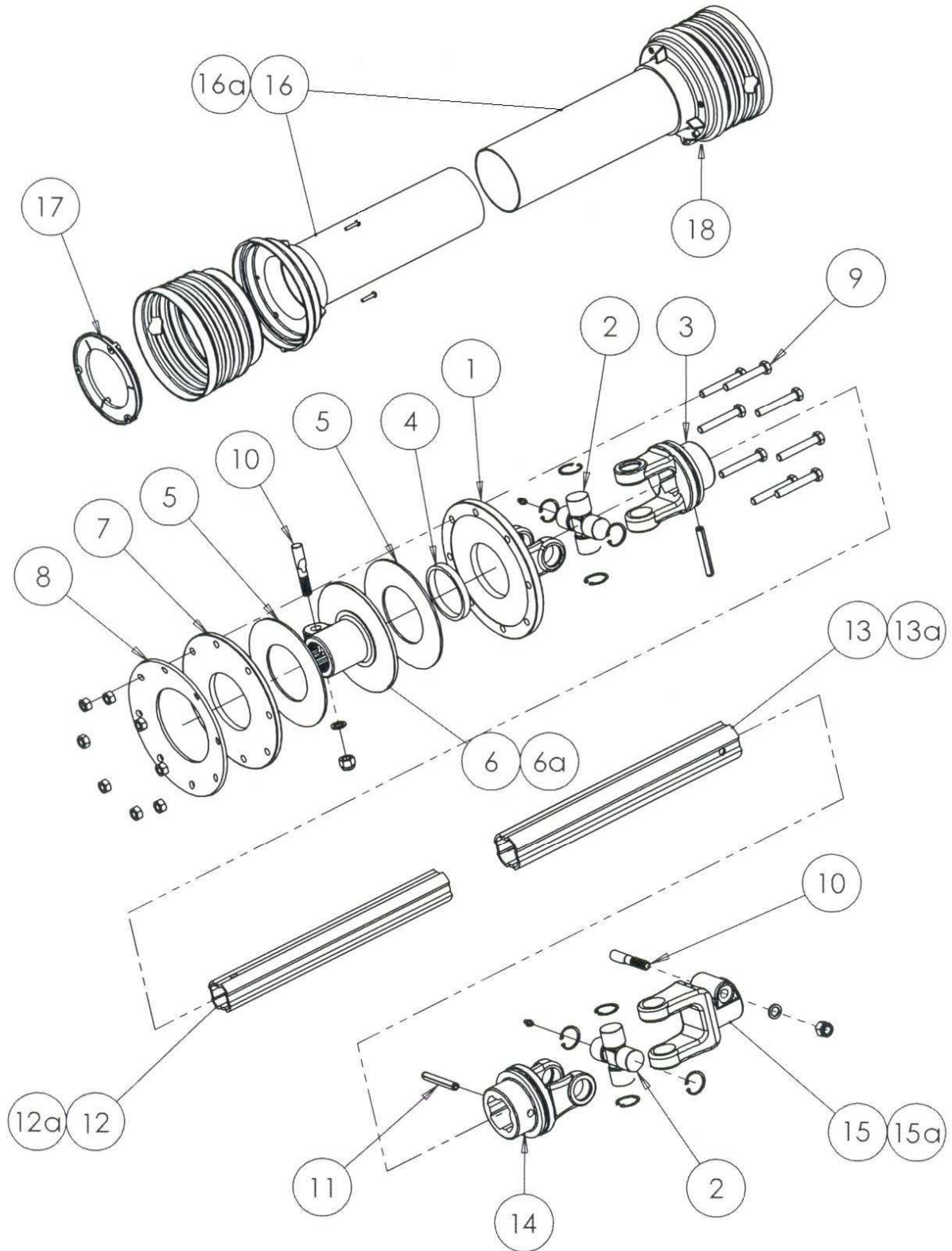
CENTRE SHAFT - 5770225



CENTRE SHAFT - 5770225

Ref No	Part No	Description
S180025.16	5770225	PTO ASSEMBLY
1	5770131	FLANGED YOKE
2	5770140	CROSS JOURNAL
3	5770145	INNER YOKE
-	5770143	TENSION PIN
4	5771319	BUSH
5	5771328	FRICTION DISC
6	5770225.01	HUB - 20 SPLINE 1"3/4
6a	5770158	HUB - 6 SPLINE 1"3/8
7	5770135	PRESSURE PLATE
8	5770136	SPRING PLATE
9	5770138A	CLUTCH BOLT + NUT
10	5771322A	TAPER PIN - CLUTCH
10	5771322	TAPER PIN - STD YOKE
11	5770144	TENSION PIN
12	5770141	INNER TUBE
12a	-	-
13	5770142	OUTER TUBE
13a	-	-
14	5770146	OUTER YOKE
15	5771310	YOKE - 6 SPLINE 1"3/8
15a	5770225.02	YOKE - 21 SPLINE 1"3/8
16	5771333	COMPLETE GUARD ASSY
16a	5771020	GUARD ANCHOR CHAIN
17	5792146/12	INNER GUARD BEARING
18	5792146/11	OUTER GUARD BEARING

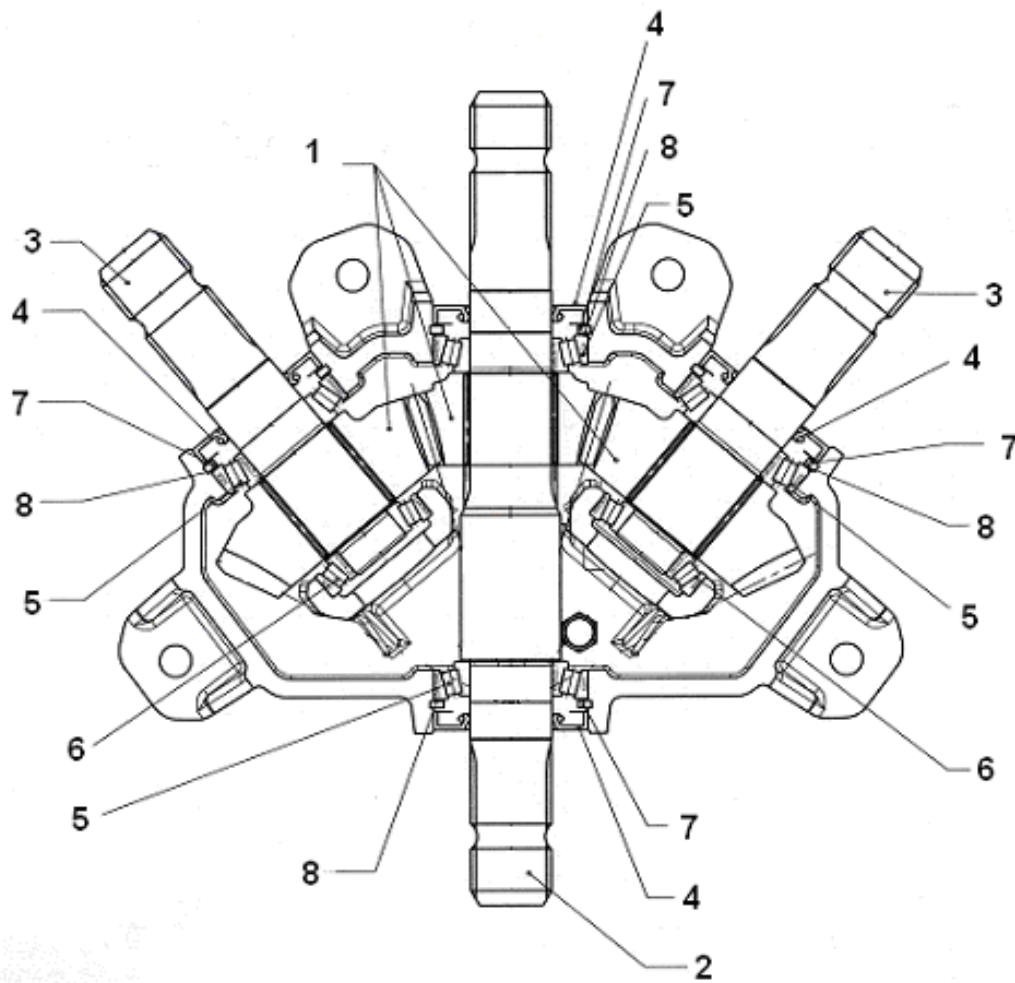
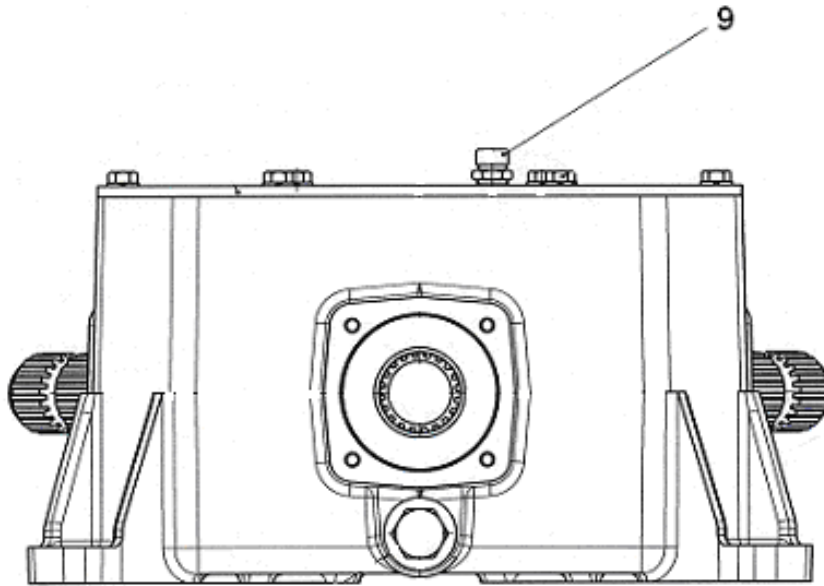
WING SHAFT - 5770230



WING SHAFT - 5770230

Ref No	Part No	Description
S180025.16	5770230	PTO ASSEMBLY
1	5770131	FLANGED YOKE
2	5770140	CROSS JOURNAL
3	5770145	INNER YOKE
-	5770143	TENSION PIN
4	5771319	BUSH
5	5771328	FRICTION DISC
6	5770225.01	HUB - 20 SPLINE 1"3/4
6a	5770158	HUB - 6 SPLINE 1"3/8
7	5770135	PRESSURE PLATE
8	5770136	SPRING PLATE
9	5770138A	CLUTCH BOLT + NUT
10	5771322A	TAPER PIN - CLUTCH
10	5771322	TAPER PIN - STD YOKE
11	5770144	TENSION PIN
12	5770230.01	INNER TUBE
12a	-	-
13	5770230.02	OUTER TUBE
13a	-	-
14	5770146	OUTER YOKE
15	5771310	YOKE - 6 SPLINE 1"3/8
15a	5770225.02	YOKE - 21 SPLINE 1"3/8
16	5770230.03	COMPLETE GUARD ASSY
16a	5771020	GUARD ANCHOR CHAIN
17	5792146/12	INNER GUARD BEARING
18	5792146/11	OUTER GUARD BEARING

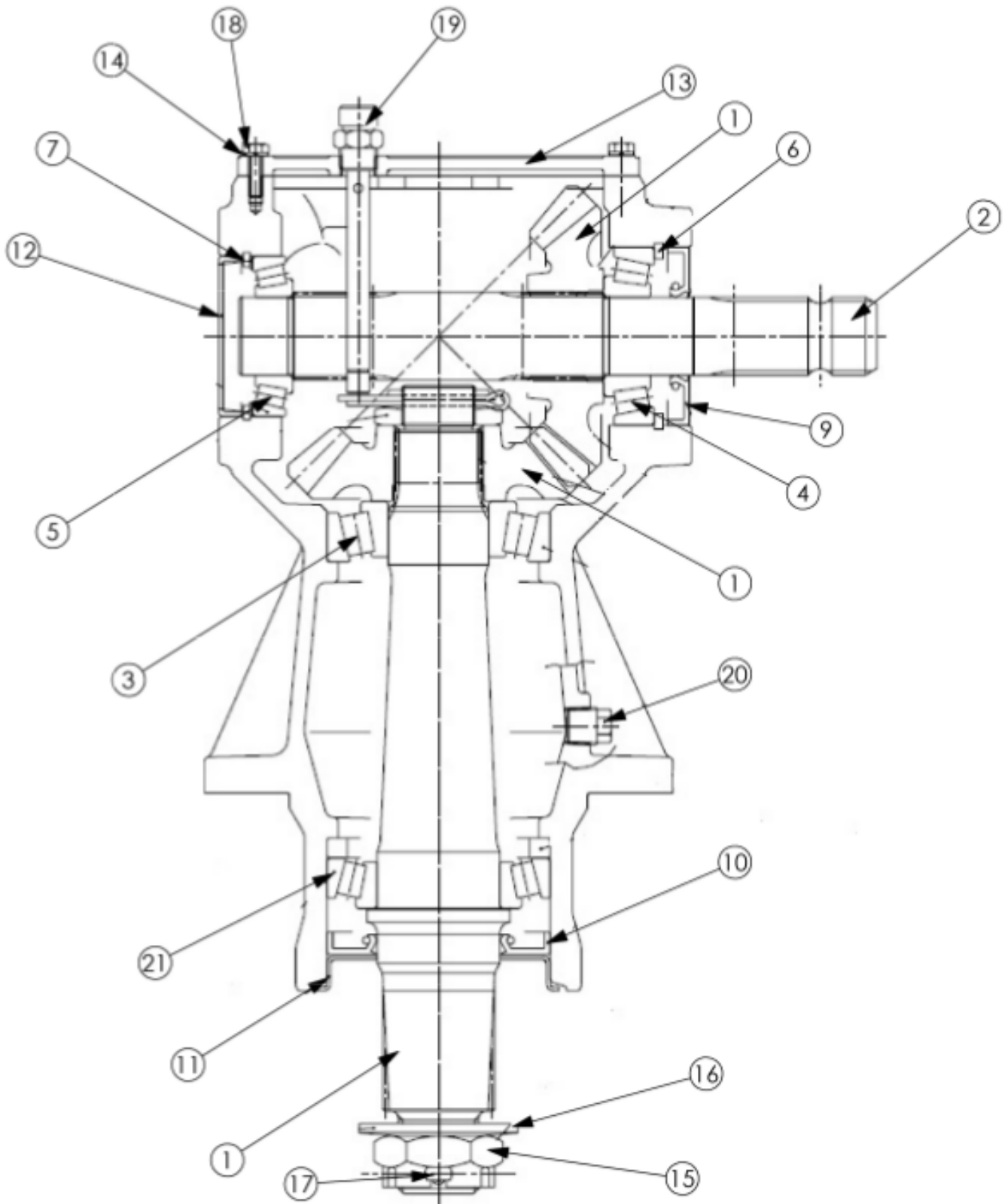
SPLITTER GEARBOX - 5769999A



SPLITTER GEARBOX - 5769999A

Ref No	Part No	Description
S180025.16	5769999A	SPLITTER GEARBOX
1	5760820	GEAR SET
2	5760820/1	INPUT SHAFT
3	5760820/2	OUTPUT SHAFT
4	4771507	SEAL
5	4770660	BEARING
6	4770658	BEARING
7	5760820/6	CIRCLIP
8	5760820/7	SHIM
9	5760820/8	DIPSTICK

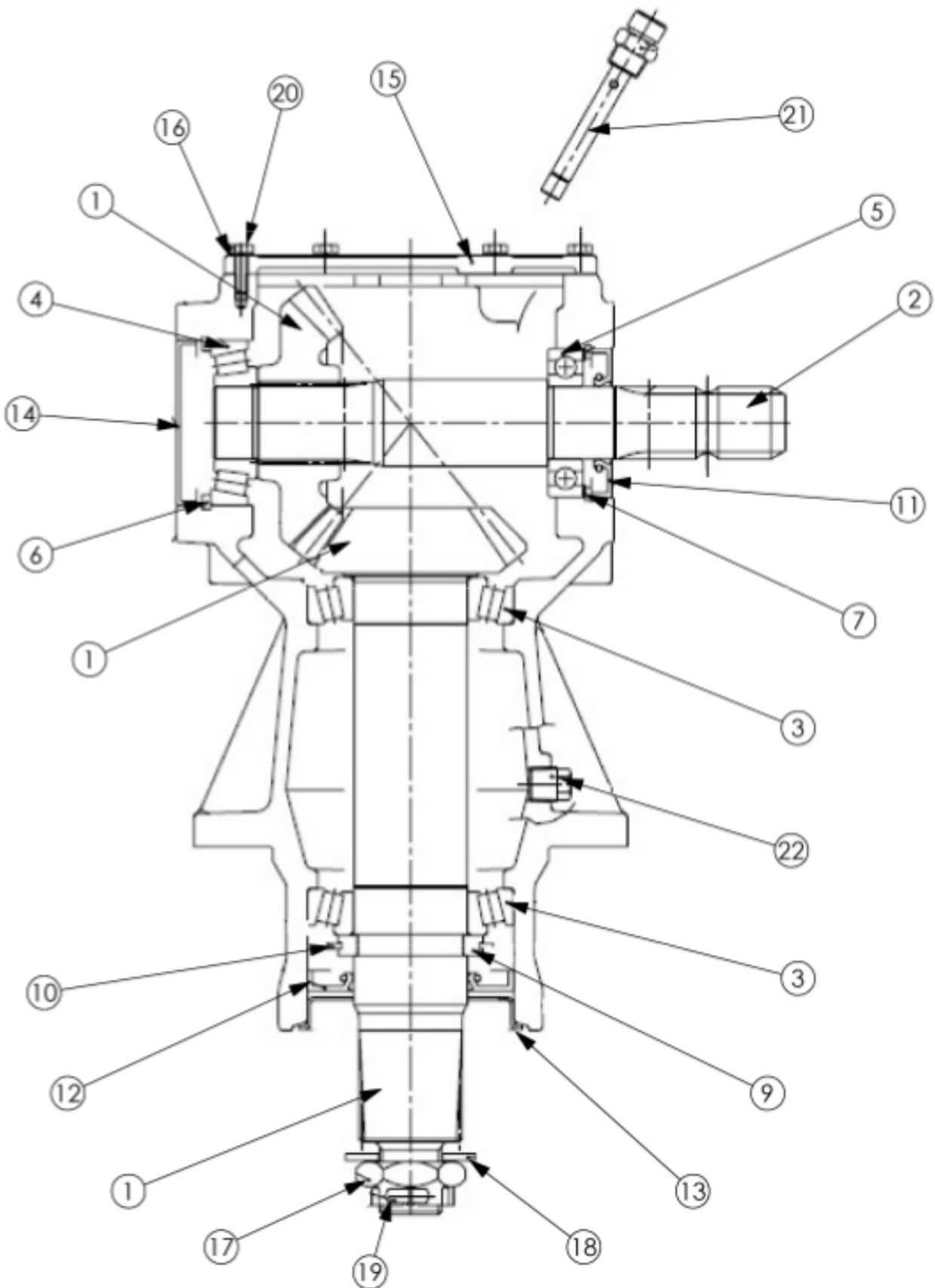
CENTRE ROTOR GEARBOX - 5770005



CENTRE ROTOR GEARBOX - 5770005

Ref No	Part No	Description
S180025.16	5770005	CENTRE GEARBOX ASSEMBLY
1	5771417	GEAR SET
2	5771403C	INPUT SHAFT
3	4771603	TOP BEARING
4	4771601	BEARING
5	4770658	BEARING
6	2771129	CIRCLIP
7	2771108	CIRCLIP
8	5771423	SHIM SET
9	4771124	SEAL
10	4771500	SEAL
11	5771406	SHEILD
12	5771503	CAP SEAL
13	5771481	LID
14	2771408	WASHER
15	5771411	CASTLE NUT
16	5771412	WASHER
17	2770477	SPLIT PIN
18	5771407	BOLT
19	5771482	DIPSTICK
20	5771415	PLUG
21	4771602	BEARING

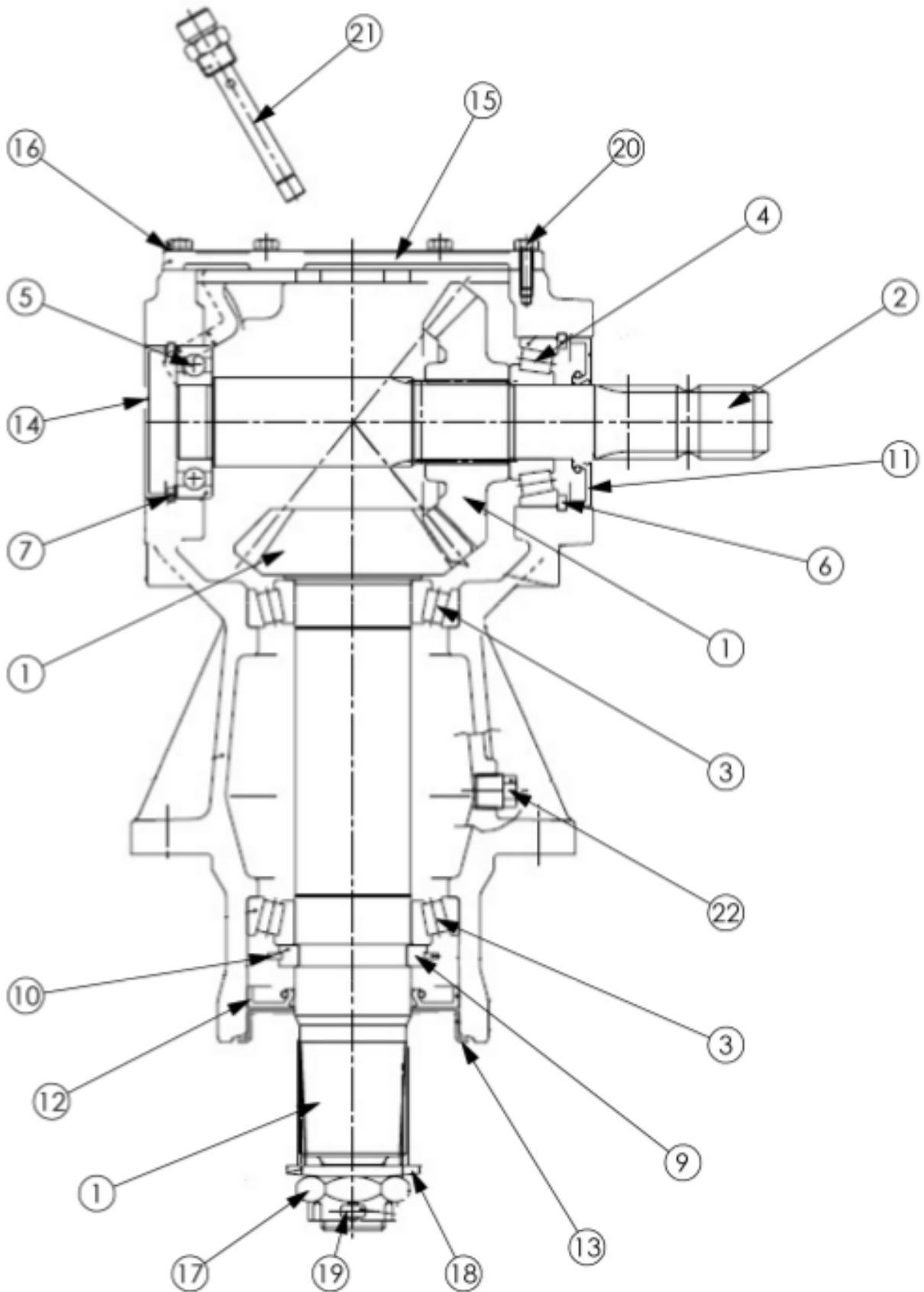
RH WING GEARBOX - 5770006



RH WING GEARBOX - 5770006

Ref No	Part No	Description
S180025.16	5770006	RH GEARBOX ASSEMBLY
1	5771420	GEAR SET
2	5771403F	INPUT SHAFT
3	4771602	TOP BEARING
4	4771601	BEARING
5	4771600	BEARING
6	2771129	CIRCLIP
7	2771108	CIRCLIP
8	5771423	SHIM SET
9	5771422	SPLIT COLLET
10	2771600	CIRCLIP
11	4771501	SEAL
12	4771500	SEAL
13	5771406	SHEILD
14	4771502	CAP SEAL
15	5771401	LID
16	2771408	WASHER
17	5771409	CASTLE NUT
18	5771410	WASHER
19	2770477	SPLIT PIN
20	5771407	BOLT
21	5771416	DIPSTICK
22	5771415	PLUG

LH WING GEARBOX - 5770007



LH WING GEARBOX - 5770007

Ref No	Part No	Description
S180025.16	5770007	LH GEARBOX ASSEMBLY
1	5771420	GEAR SET
2	5771403R	INPUT SHAFT
3	4771602	TOP BEARING
4	4771601	BEARING
5	4771600	BEARING
6	2771129	CIRCLIP
7	2771108	CIRCLIP
8	5771423	SHIM SET
9	5771422	SPLIT COLLET
10	2771600	CIRCLIP
11	4771124	SEAL
12	4771500	SEAL
13	5771406	SHEILD
14	4771503	CAP SEAL
15	5771401	LID
16	2771408	WASHER
17	5771409	CASTLE NUT
18	5771410	WASHER
19	2770477	SPLIT PIN
20	5771407	BOLT
21	5771416	DIPSTICK
22	5771415	PLUG

Spearhead Machinery Ltd
Green View
Salford Priors
Evesham
Worcestershire
WR11 8SW
Tel: 01789 491860
Fax: 01789 778683
www.spearheadmachinery.com
enquiries@spearheadmachinery.com