

# Spearhead

## TWIGA Reach Mower 320/420



Edition 1.8 – December 2015  
Part No. 8999060

## PARTS MANUAL

# Spearhead TWIGA 320/420

---

## Contents

Ordering Your Parts.....	3
A Frame.....	4
Tank.....	6
540/1000 RPM Hydraulic Drive.....	8
Electric Rotor Valve Assembly.....	10
Arm Float.....	11
MINIPILOT Controls.....	12
MINIPILOT Valve.....	14
Cab Guard Kit.....	15
Lift Frame.....	16
Main Arm.....	17
Tie Bar.....	18
320 Knuckle.....	19
Dipper Arm.....	20
420 Knuckle.....	21
Head Bracket.....	22
Head Ram.....	23
Lift / Reach Ram.....	23
Break Back Ram.....	24
Hose Blanking Caps.....	24
Cable Rotor Valve Assembly.....	25
Cable Control Valve.....	26
Cable Controls.....	27
MINIPILOT Base Hoses.....	28
Cable Base Hoses.....	29
MINIPILOT Arm Hoses.....	30
Cable Arm Hoses.....	32
Decals.....	34
Stabilisers.....	36
PTO Shaft.....	37

# Spearhead TWIGA 320/420

---

## Contents Cont.

0.9M Head Cowl.....	38
Boot Flail Rotor.....	40
Back to Back Flail Rotor.....	42
Roller.....	43
Rear Flap.....	44
Head Hoses.....	45
Head Decals.....	46
Front Hood.....	47
Motor.....	48
Cutter Bar.....	49
Tandem Pump.....	50
Motor.....	51
HXF Control Valve Bracket & Bulkhead.....	52
HXF Decals.....	54
Pump Station A Frame.....	56
Pump Station Hose Kit.....	57
Pump Station Bulkhead.....	58
Pump Station Decals.....	60
Oil Cooler.....	62
HXF Bulkhead.....	64
Ballast Weights.....	65
Electric Rotor Valve.....	66
Cable Rotor Valve.....	67
Head Crowd Bracket.....	68
Returns Filter.....	70

# Spearhead TWIGA 320/420

## Ordering Your Part's

When ordering parts please refer to your parts list to help your dealer with your order.

Part number and quantity

Description

Machine model number

Serial number of the machine

Delivery instructions (e.g. next day).

Delivery is normally via carrier direct to your dealer. Please check with your dealer for stock availability and arrangement of dispatch. Ensure you or your dealer has sufficient cover for parts requirement outside factory hours.

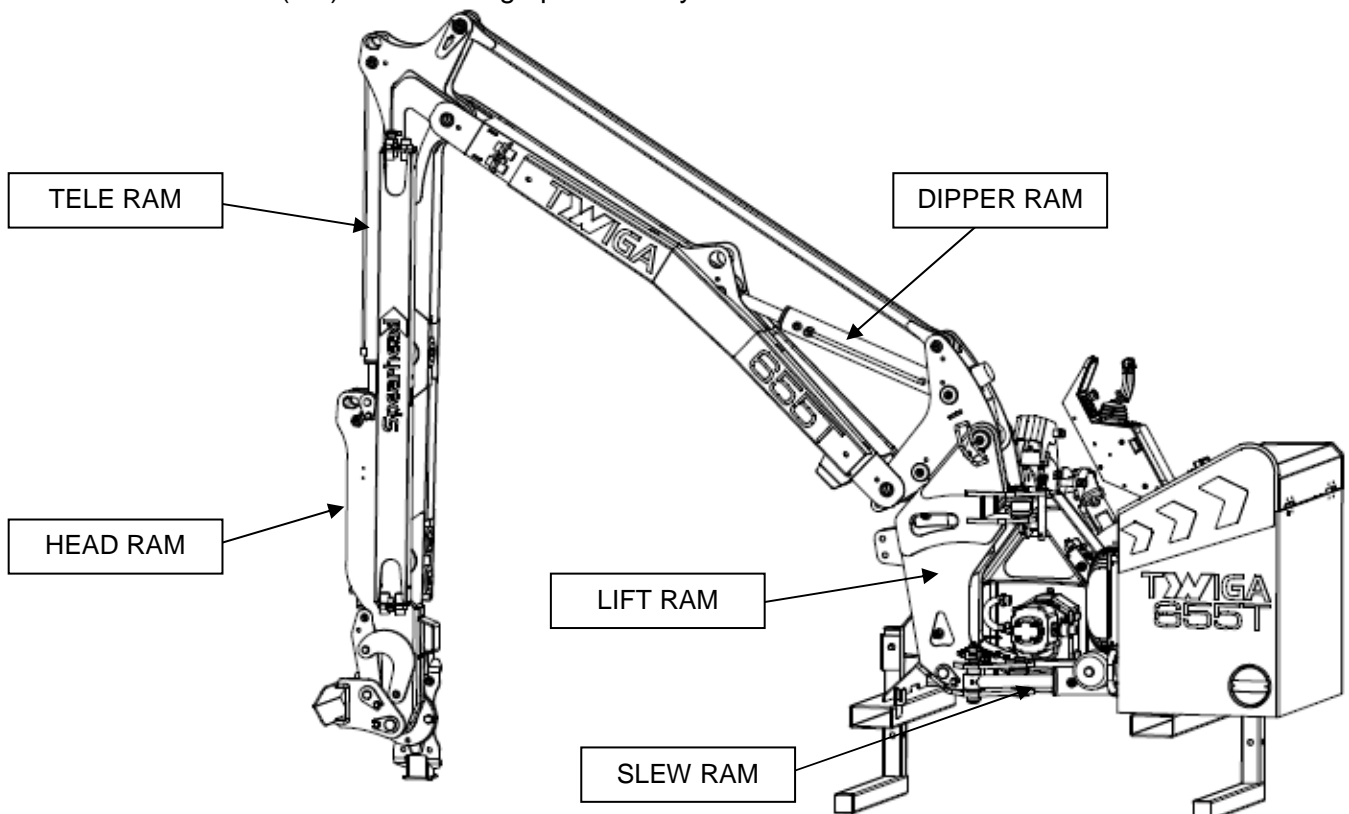
When ordering your seal kits please quote both codes stamped on the base of the cylinder.

## Important Note

The information contained in this manual is correct at the time of publication. However, in the course of constant development, changes in specification are inevitable. Should you find the information given in this book different to the machine it relates to, please contact the "After Sales Department" for advice.

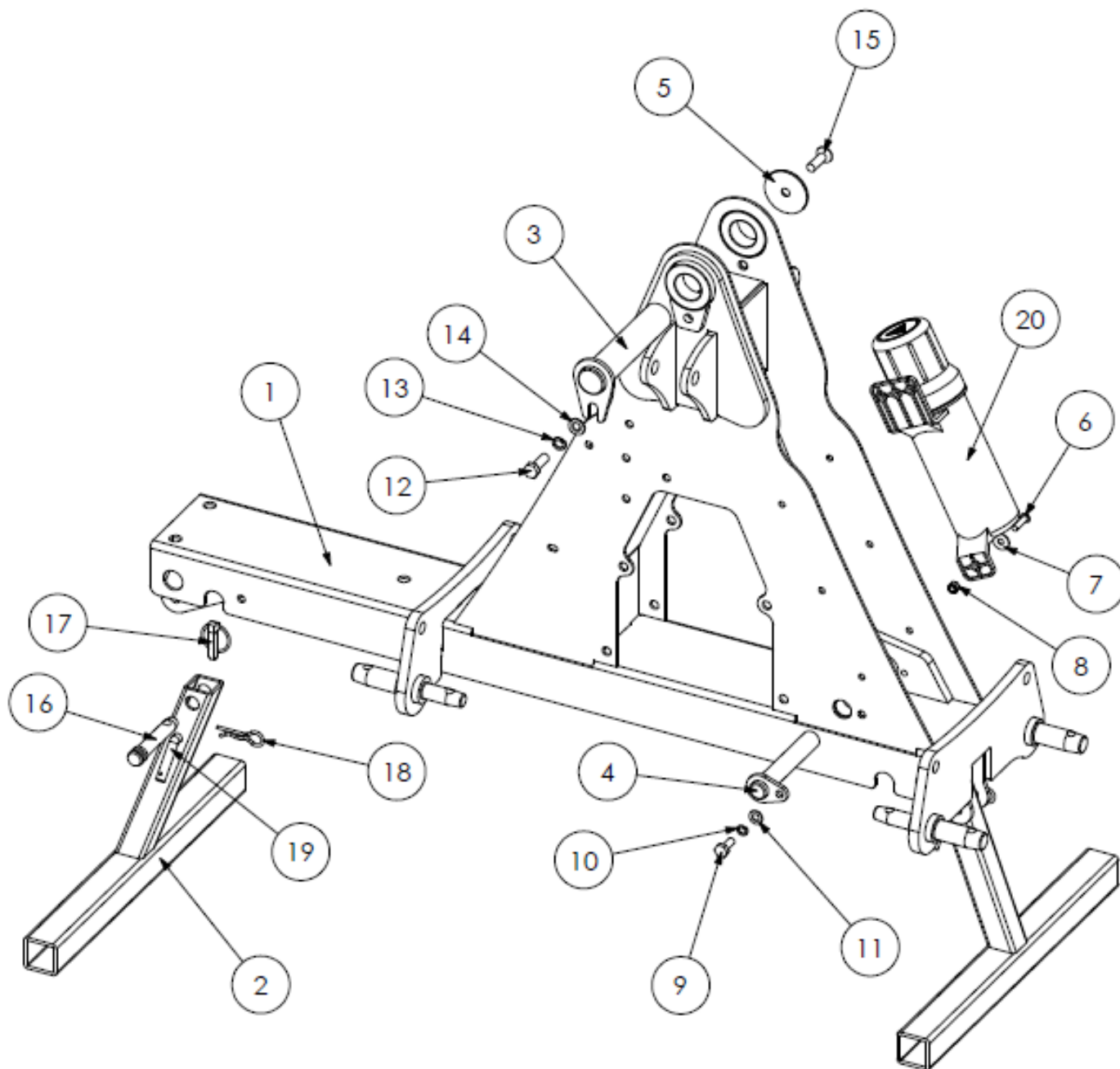
### Key:

- (LH) = Left hand
- (RH) = Right hand
- (LP) = Low pressure hydraulics
- (HP) = High pressure hydraulics



# Spearhead TWIGA 320/420

A FRAME – S180030.00



# Spearhead TWIGA 320/420

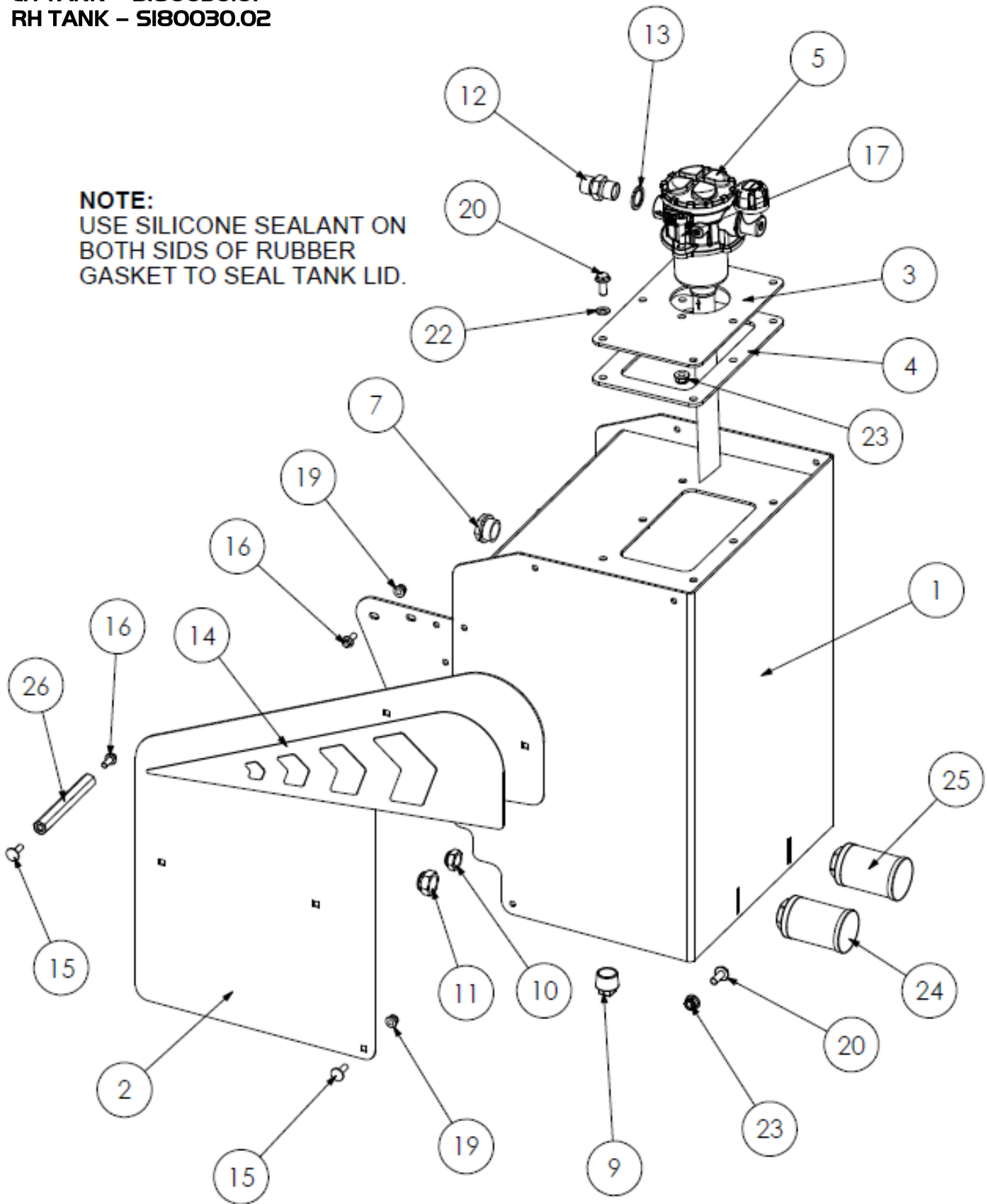
A FRAME – S180030.00

REF NO.	PART NO.	QTY.	DESCRIPTION
1	180210	1	A FRAME
2	41203.05	2	LEG
3	1782055	1	PEAR PIN: 40 X 185 mm
4	1782124	1	PEAR PIN: 25.4 X 145 mm
5	1777208	1	RETAINING WASHER - 65 mm
6	2770368	2	M8 X 30 SKT BUTTON SCREW
7	2770244	2	M8 REPAIR WASHER
8	2770416	2	M8 NYLOCK
9	2770407	1	M10 X 25 BOLT
10	2770469	1	M10 SPRING WASHER
11	2770434	1	M10 FLAT WASHER
12	2770535	1	M12 X 35 BOLT
13	2770442	1	M12 SPRING WASHER
14	2770436	1	M12 FLAT WASHER
15	2770398	1	M12 X 40 SKT CSK SCREW
16	T8117	2	PIN
17	00.372.01	2	LYNCH PIN
18	6310194	2	R CLIP
19	1090051	2	PIN
20	46505.01	1	DOCUMENTS FLASK

# Spearhead TWIGA 320/420

LH TANK - S180030.01  
RH TANK - S180030.02

**NOTE:**  
USE SILICONE SEALANT ON  
BOTH SIDES OF RUBBER  
GASKET TO SEAL TANK LID.



# Spearhead TWIGA 320/420

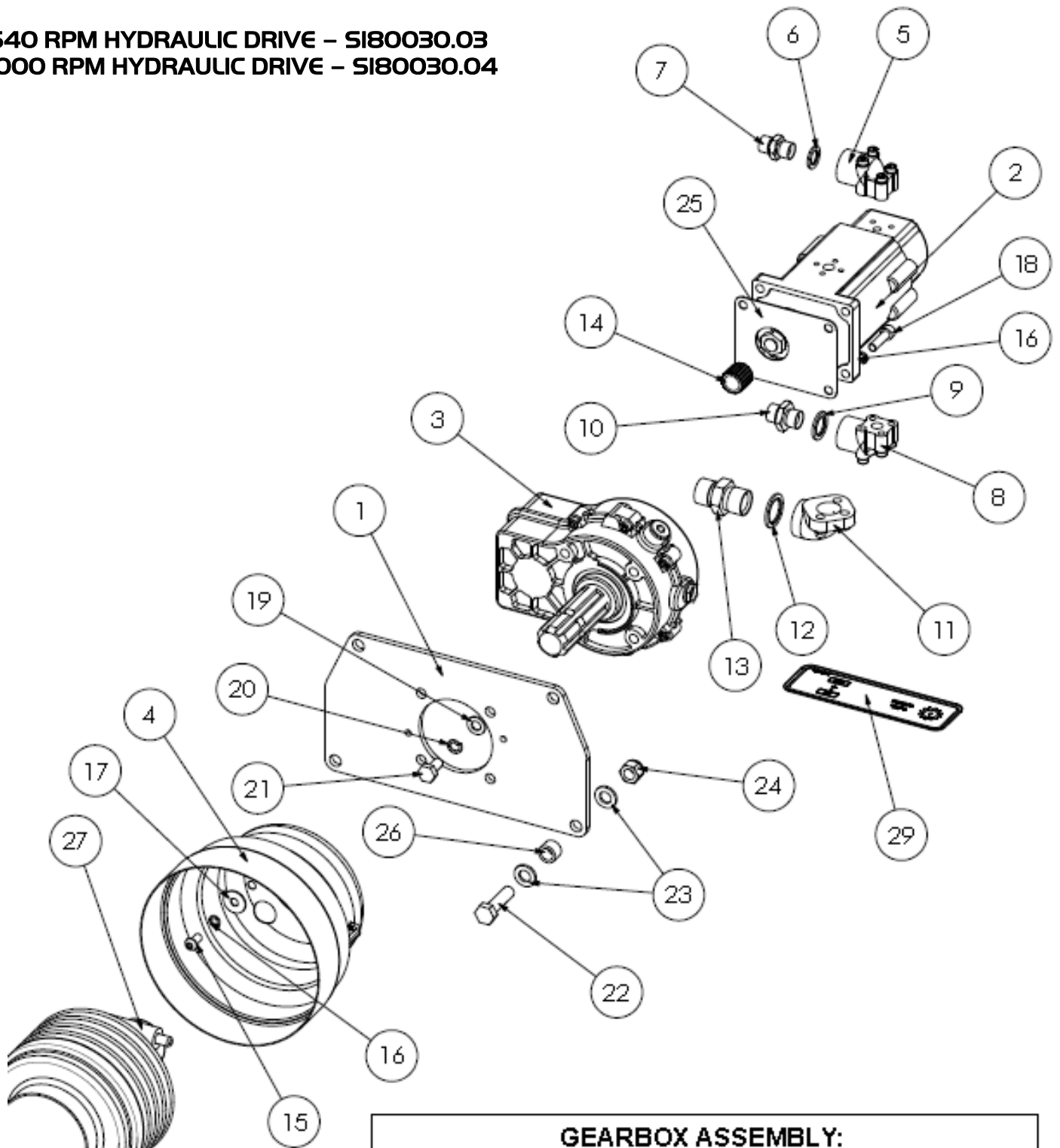
LH TANK – S180030.01  
RH TANK – S180030.02

REF NO.	PART NO.	QTY.	DESCRIPTION
1	180183	1	TANK
2	180323	1	BACK PANEL
3	181302	1	TANK LID
4	5771640	1	GASKET
5	3900083	1	FILTER (Pg 70)
7	3900063	1	LEVEL GAUGE
9	T1698	2	TANK BUNG
10	8582054	1	1/2" BLANKING CAP
11	3460117	1	3/4" BLANKING CAP
12	3360090	1	3/4" M-M ADAPTOR
13	3260073	1	3/4" BONDED SEAL
14	8770447	1	LH DECAL
14	8770448	-	RH DECAL
15	9293054	6	M8 X 25 COACH BOLT
16	05.839.49	3	M8 X 20 FLANGE BOLT
17	30.072.29	2	M10 X 45 SKT CAP SCREW
19	05.287.20	7	M8 FLANGE NUT
20	2770676	8	M10 X 25 FLANGE BOLT
22	2770353	6	M10 FIBRE WASHER
23	05.287.21	4	M10 FLANGE NYLOCK
24	3900087	1	1/2 SUCTION FILTER
25	3900088	1	3/4 SUCTION FILTER
26	181873	1	REAR GUARD SPACER



# Spearhead TWIGA 320/420

540 RPM HYDRAULIC DRIVE – S180030.03  
1000 RPM HYDRAULIC DRIVE – S180030.04



**GEARBOX ASSEMBLY:  
ENSURE THE BREATHER IS AT THE TOP**

BREATHER - RED

BUNG - CLEAR

BUNG - BLACK

A diagram of the gearbox assembly showing the breather and bungs. The breather is labeled 'BREATHER - RED' and is located at the top of the gearbox. The bungs are labeled 'BUNG - CLEAR' and 'BUNG - BLACK' and are located on the sides of the gearbox.

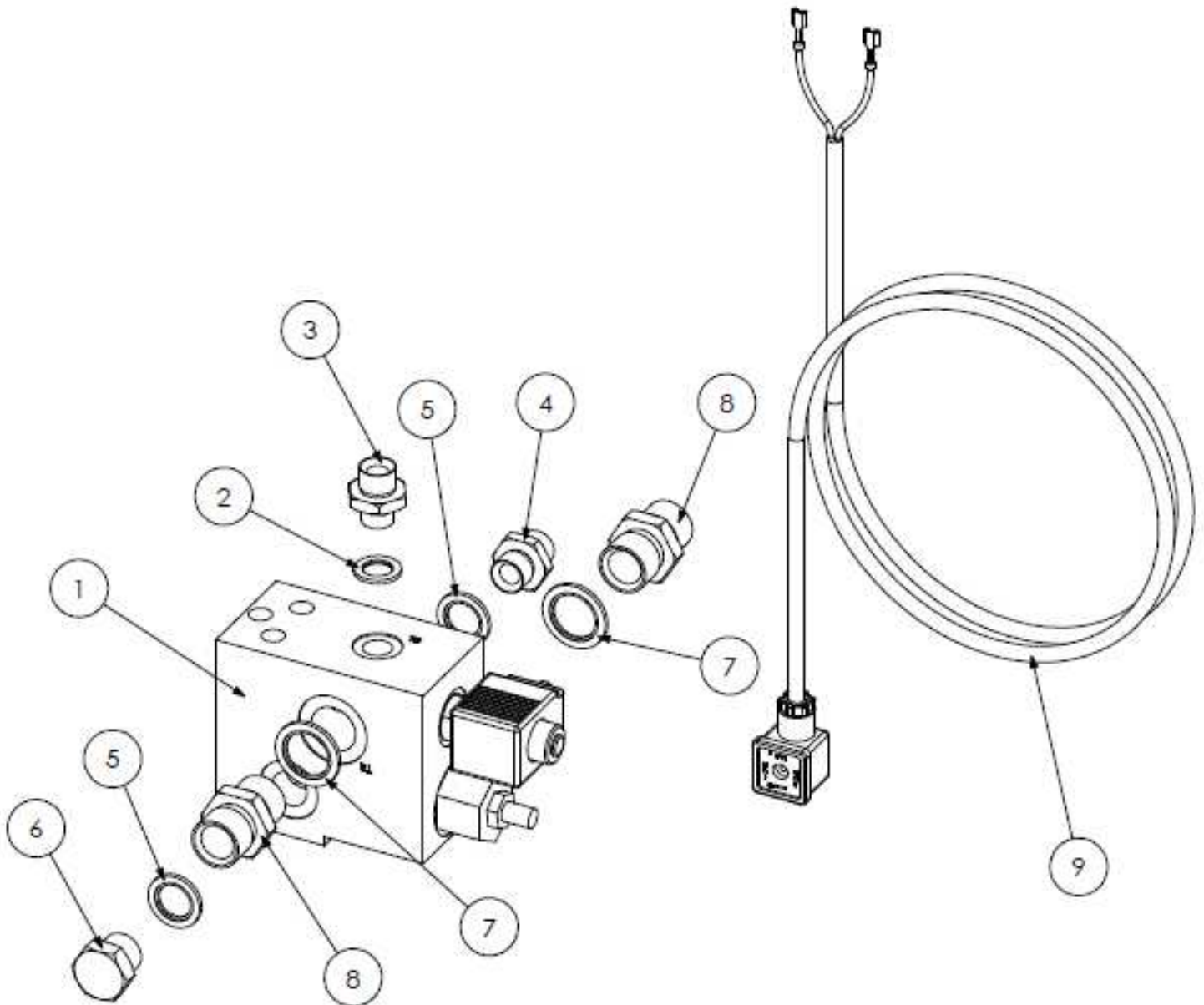
# Spearhead TWIGA 320/420

540 RPM HYDRAULIC DRIVE – S180030.03  
1000 RPM HYDRAULIC DRIVE – S180030.04

REF NO.	PART NO.	QTY.	DESCRIPTION
1	180211	1	MOUNT PLATE
2	3151073	1	TANDEM PUMP (Pg - 50)
3	3151070	1	GEARBOX - 540 RPM
3	3151069	1	GEARBOX - 100 RPM
4	5770118	1	CONE
5	3151058	1	3/8" PORT ELBOW
6	3260071	1	3/8" BONDED SEAL
7	3360086	1	3/8" M-M ADAPTOR
8	3151059	1	1/2" PORT ELBOW
9	3260072	1	1/2" BONDED SEAL
10	3460301	1	1/2" M-M ADAPTOR
11	3151007	1	3/4" PORT ELBOW
12	3260073	1	3/4" BONDED SEAL
13	3360090	1	3/4" M-M ADAPTOR
14	3151076	1	SPLINED HUB
15	2770370	2	M8 X 15 SKT BUTTON SCREW
16	2770433	6	M8 SPRING WASHER
17	2770244	2	M8 REPAIR WASHER
18	05.625.37	4	M8 X 30 SKT CAP BOLT
19	2770434	4	M10 FLAT WASHER
20	2770469	4	M10 SPRING WASHER
21	2770418	4	M10 X 20 BOLT
22	2770397	4	M12 X 45 BOLT
23	2770436	8	M12 FLAT WASHER
24	2770417	4	M12 NYLOCK
25	3151071	1	GASKET
26	06.788.01	4	SPACER
27	5770069	1	PTO SHAFT (Pg - 37)
28	8770305	1	540 RPM PTO SPEED DECAL
28	8770323	1	1000 RPM PTO SPEED DECAL
29	8770595	1	GEARBOX OIL LEVEL DECAL

# Spearhead TWIGA 320/420

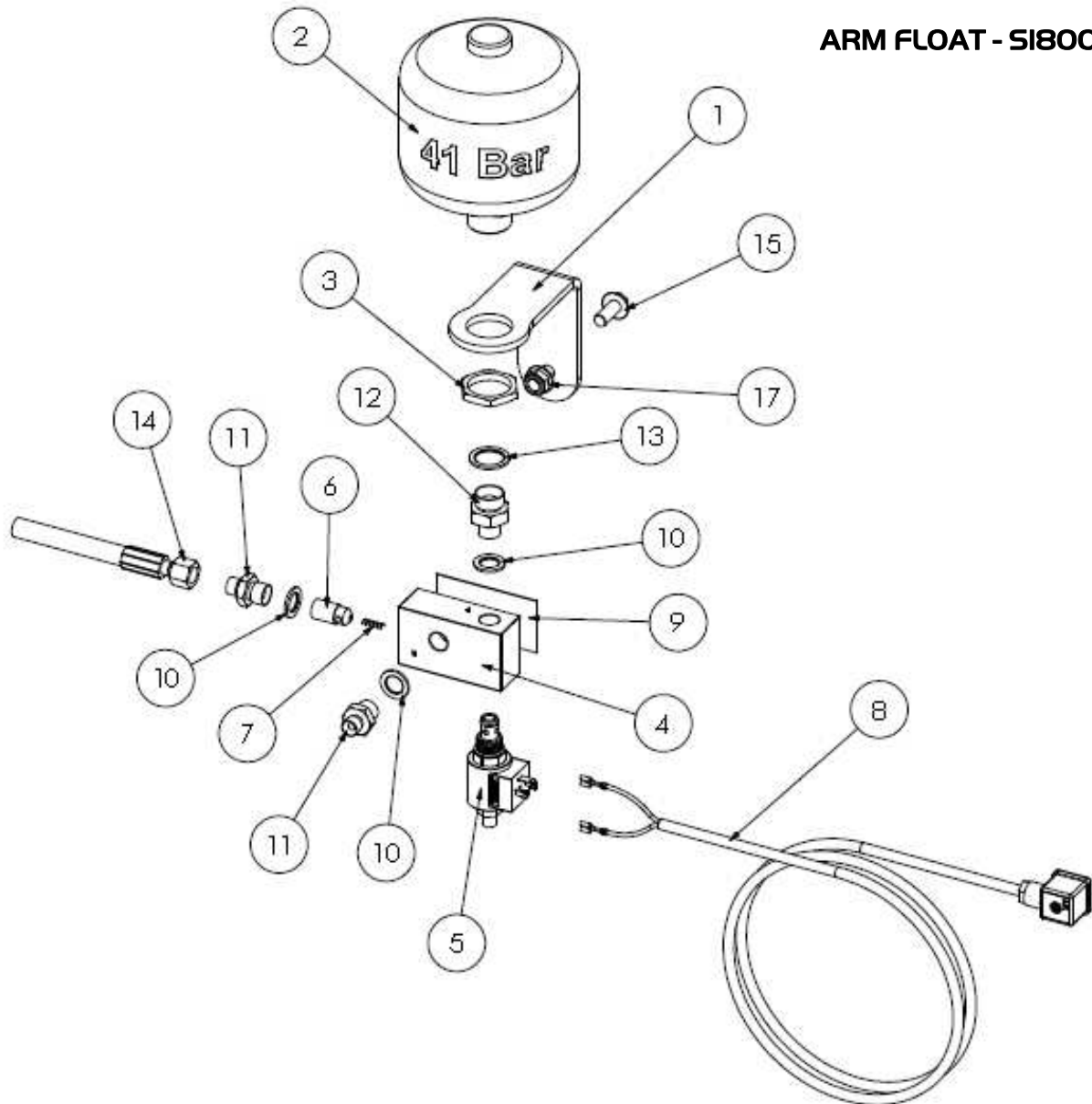
## ELECTRIC ROTOR VALVE ASSEMBLY- S180030.05



REF NO.	PART NO.	QTY.	DESCRIPTION
1	3610059	1	ROTOR VALVE (Pg - 66)
2	3260071	1	3/8" BONDED SEAL
3	3360088	1	3/8" M - 1/2" M ADAPTOR
4	3460301	1	1/2" M-M ADAPTOR
5	3260072	2	1/2" BONDED SEAL
6	3700214	1	1/2" BLANKING PLUG
7	3260073	2	3/4" BONDED SEAL
8	3360090	2	3/4" M-M ADAPTOR
9	43177.29	1	LOOM

# Spearhead TWIGA 320/420

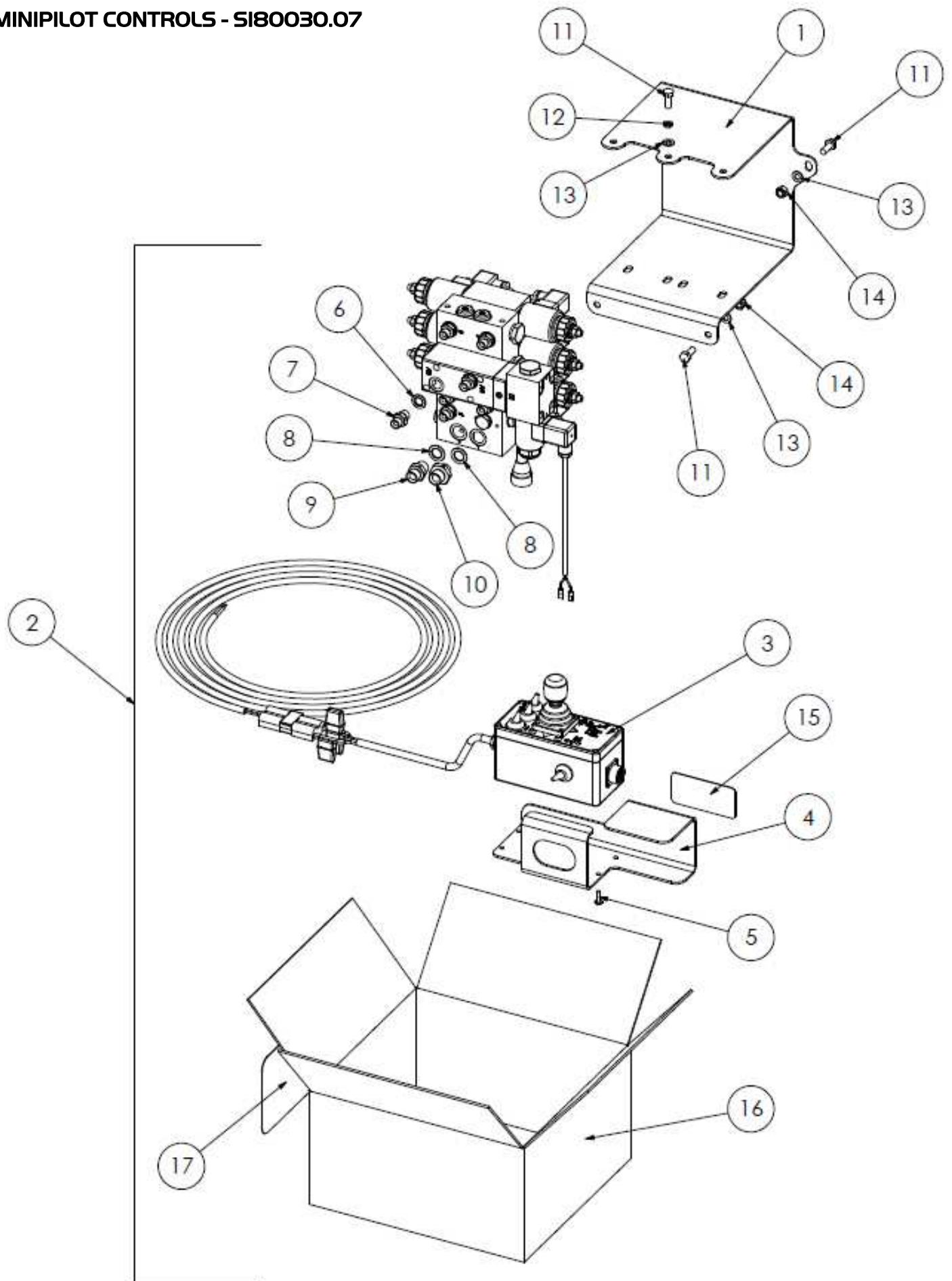
ARM FLOAT - S180030.06



REF NO.	PART NO.	QTY.	DESCRIPTION
1	180441	1	BRACKET
2	3900072	1	ACCUMULATOR - 41 BAR
3	8126035	1	M33 HALF NUT
4	8126287	1	VALVE BLOCK
5	8130183	1	POPPET VALVE
6	8126037	1	RESPONSE PISTON
7	8116011	1	SPRING
8	8770897	1	LOOM
9	1290061	1	DECAL
10	3260071	3	3/8" BONDED SEAL
11	3360083	2	1/4" M - 3/8" M ADAPTOR
12	G2410380	1	3/8" M - M22 M ADAPTOR
13	8650322	1	M22 BONDED SEAL
14	3760115	1	HOSE
15	2770676	2	M10 X 25 BOLT
17	05.287.21	2	M10 NYLOCK

# Spearhead TWIGA 320/420

MINIPILOT CONTROLS - S180030.07



# Spearhead TWIGA 320/420

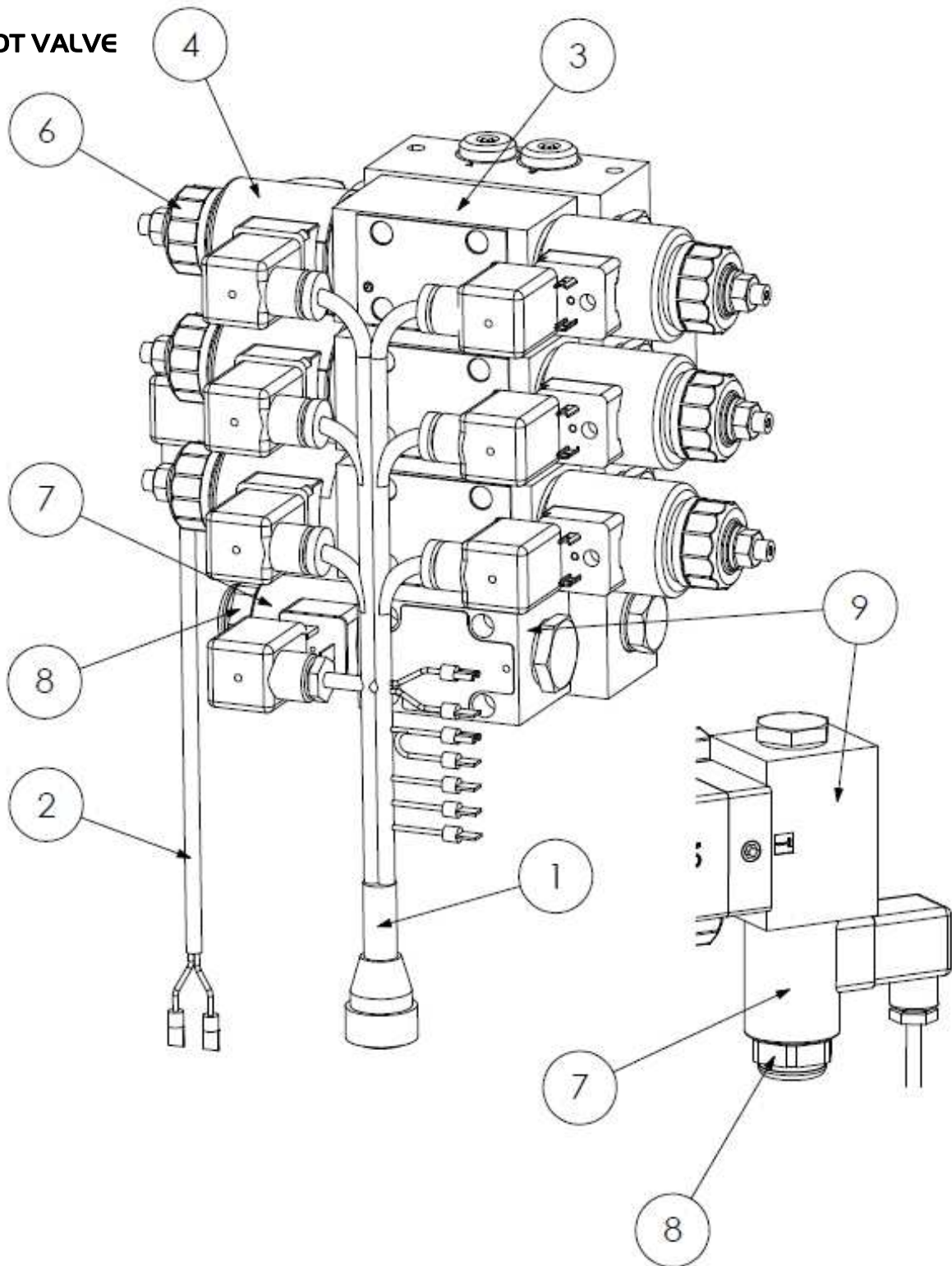
---

MINIPILOT CONTROLS - S180030.07

REF NO.	PART NO.	QTY.	DESCRIPTION
1	180212	1	BRACKET
2	8402930	1	CONTROLS PACKAGE
3	8402404	-	JOYSTICK BOX
4	42442.03	-	BRACKET
5	2800243	-	SCREW
6	3260070	-	1/4" BONDED SEAL
7	3360080	-	1/4" M-M ADAPTOR
8	3260071	-	3/8" BONDED SEAL
9	3360086	-	3/8" M-M ADAPTOR
10	3360088	-	3/8" M - 1/2" M ADAPTOR
11	2770402	7	M8 X 20 BOLT
12	2770433	4	M8 SPRING WASHER
13	2770432	7	M8 FLAT WASHER
14	2770416	3	M8 NYLOCK
15	8770464	1	MINI PILOT DECAL
16	8402701	1	PACKING BOX
17	1290717	1	DECAL

# Spearhead TWIGA 320/420

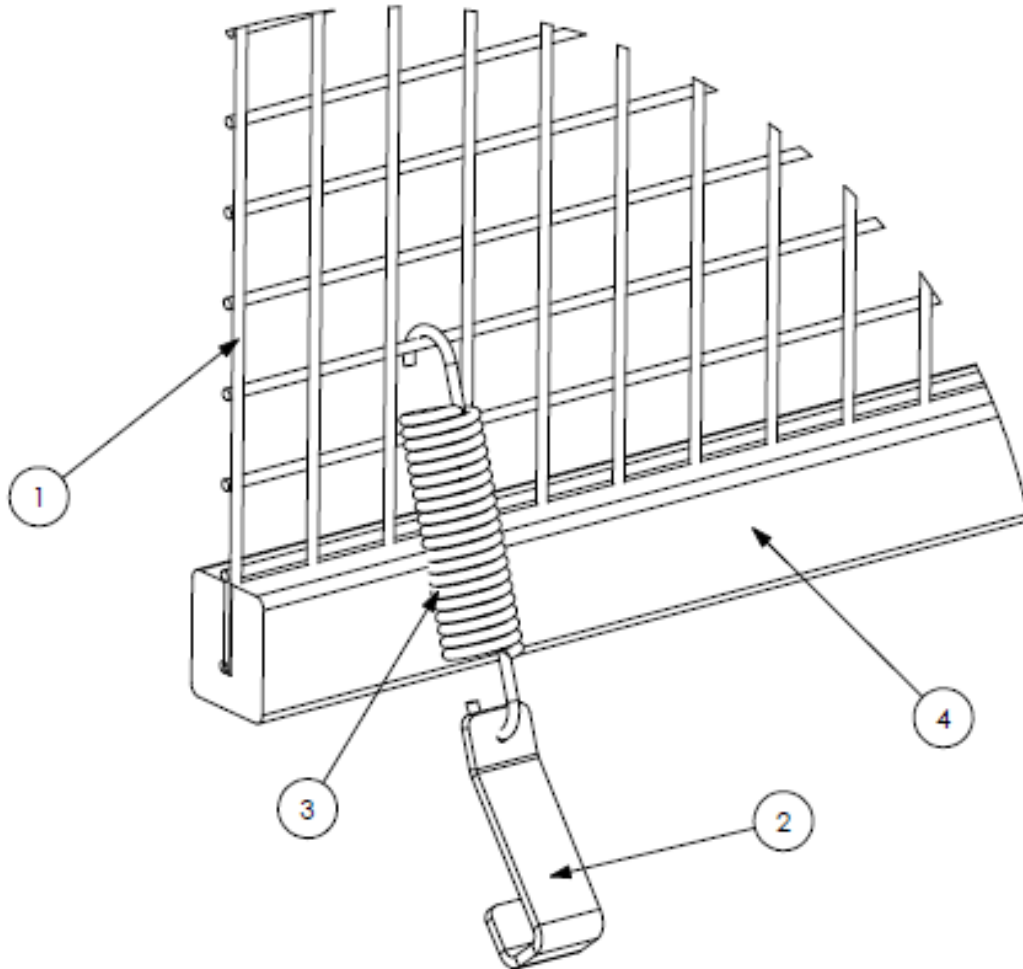
## MINIPILOT VALVE



REF NO.	PART NO.	QTY.	DESCRIPTION
1	41844.02	1	MAIN LOOM
2	8402338	1	HEAD FLOAT LOOM
3	23550.32	3	SEAL KIT
4	23550.31	6	COIL
6	23550.35	6	COIL NUT
7	23550.33	2	COIL
8	23550.36	2	COIL NUT
9	23550.34	2	SEAL KIT

# Spearhead TWIGA 320/420

CAB GUARD KIT – S180028.53

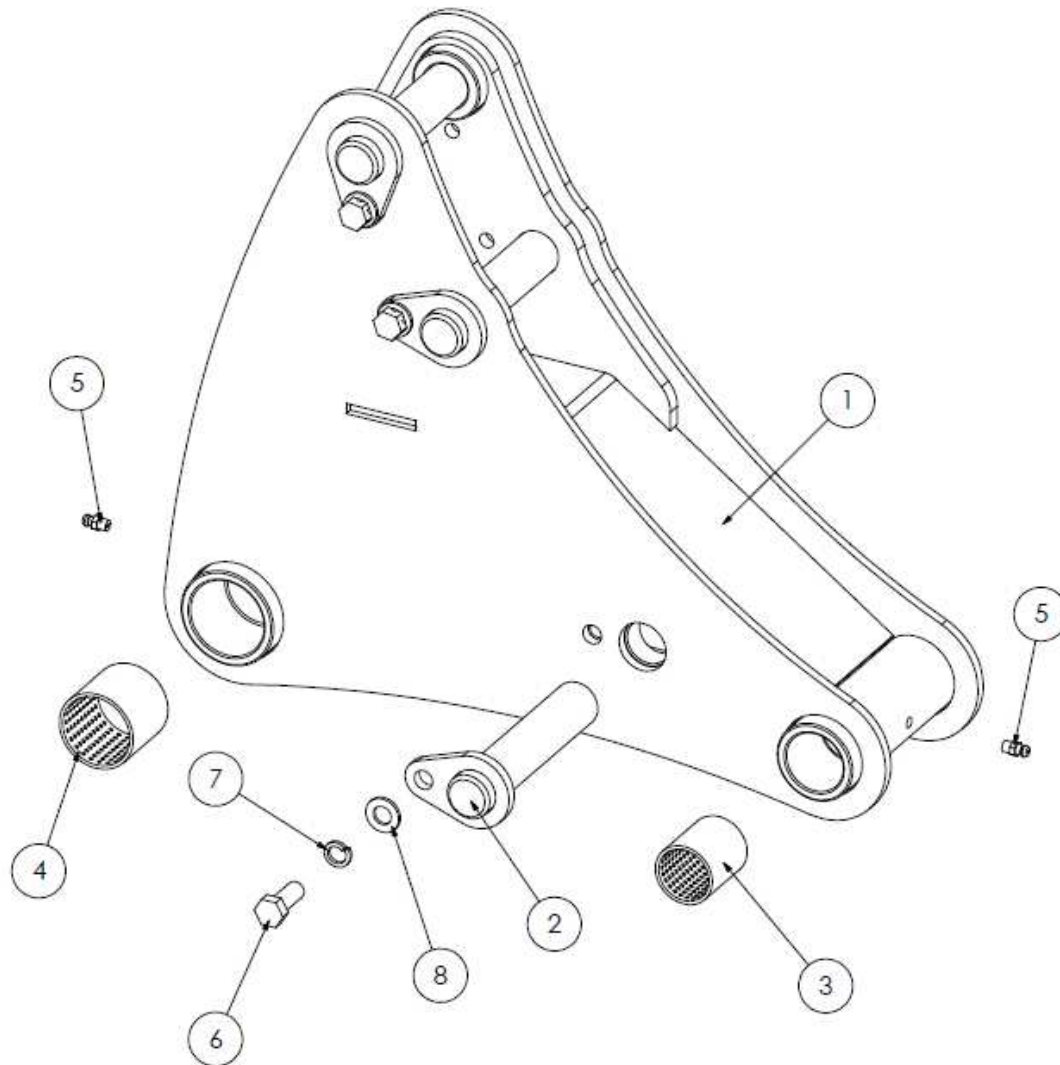


REF NO.	PART NO.	QTY.	DESCRIPTION
	OPT0603	1	CAB GUARD KIT
1	1777140	2	MESH PANEL
2	41745.01	10	HOOK
3	6310209	10	SPRING
4	8550134	1	FOAM - 5M



# Spearhead TWIGA 320/420

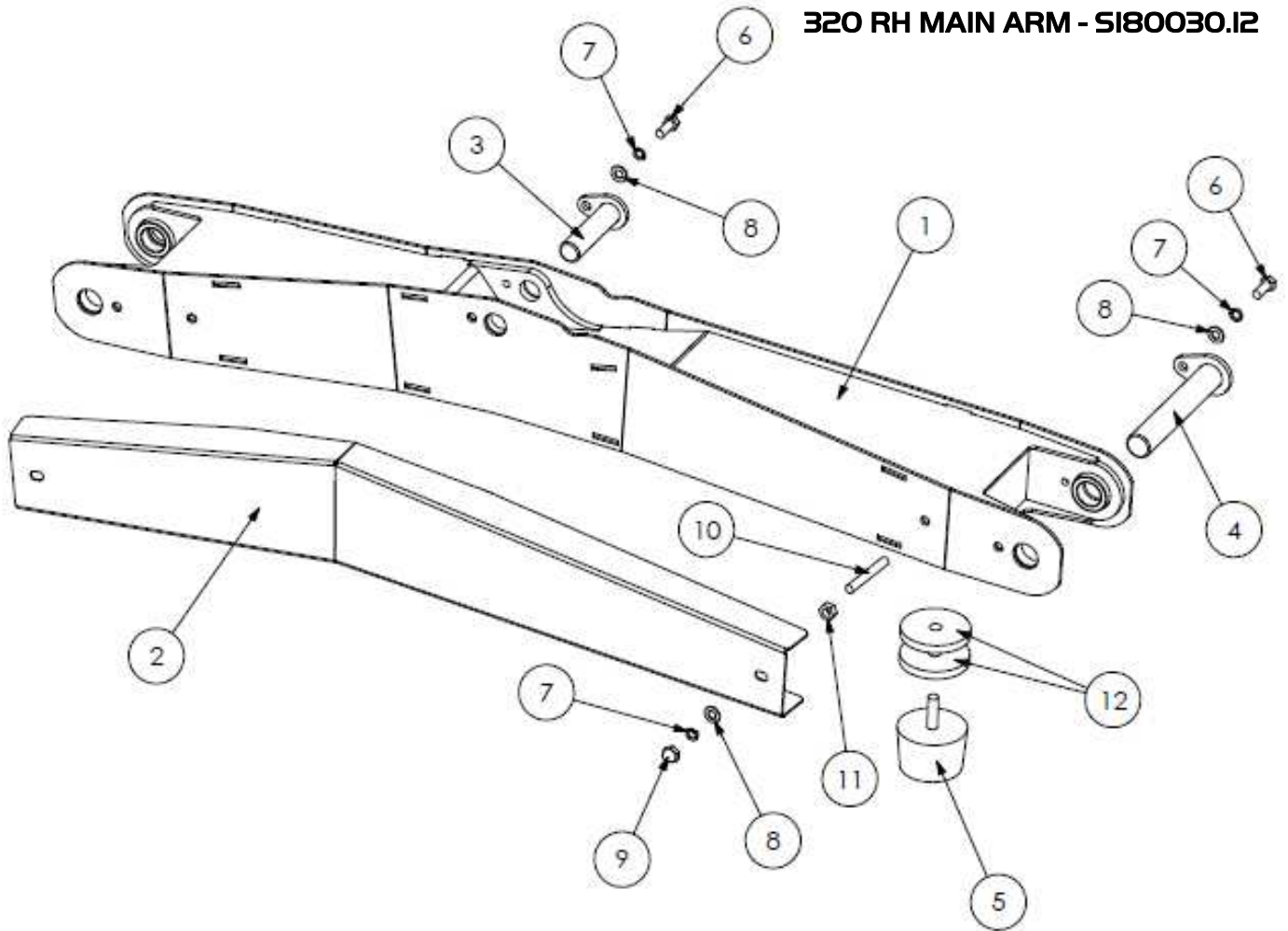
## LIFT FRAME - S180030.08



REF NO.	PART NO.	QTY.	DESCRIPTION
1	180312	1	LIFT FRAME
2	1782127	3	PEAR PIN: 25.4 X 114 mm
3	42654.08	2	BUSH
4	7115208	2	BUSH
5	2770467	2	M6 ST GREASE NIPPLE
6	2770407	3	M10 X 25 BOLT
7	2770469	3	M10 SPRING WASHER
8	2770434	3	M10 FLAT WASHER

# Spearhead TWIGA 320/420

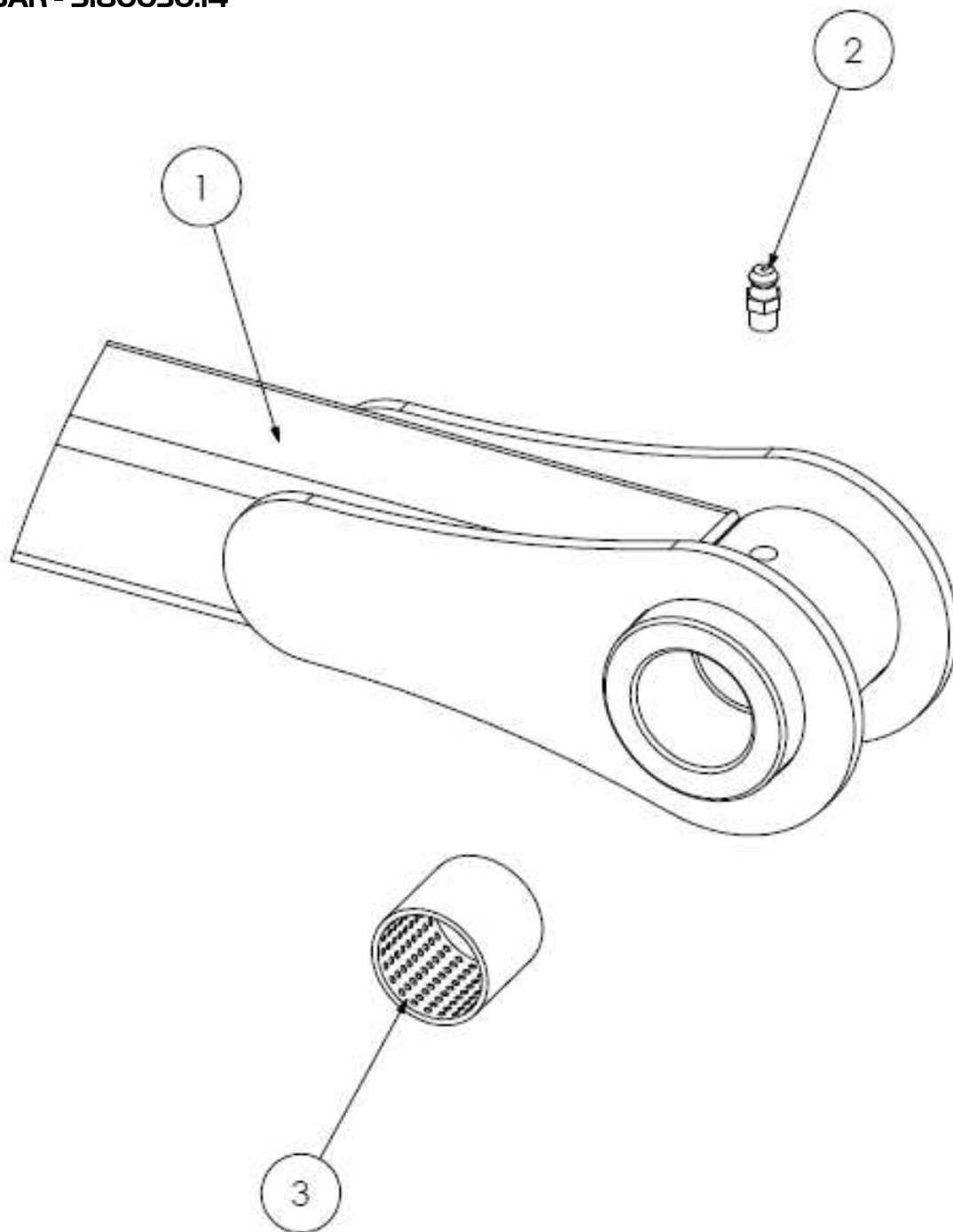
420 LH MAIN ARM - S180030.09  
 420 RH MAIN ARM - S180030.10  
 320 LH MAIN ARM - S180030.11  
 320 RH MAIN ARM - S180030.12



REF NO.	PART NO.	QTY.	DESCRIPTION
1	180302	1	MAIN ARM - 320
1	180206	1	MAIN ARM - 420
2	181074	1	LH MAIN ARM GUARD - 320
2	181075	1	RH MAIN ARM GUARD - 320
2	181076	1	LH MAIN ARM GUARD - 420
2	181077	1	RH MAIN ARM GUARD - 420
3	1782108	1	PEAR PIN: 25.4 X 99 mm
4	1782126	2	PEAR PIN: 30 X 176 mm
5	8770634	1	RUBBER CUSHION
6	2770407	3	M10 X 25 BOLT
7	2770469	5	M10 SPRING WASHER
8	2770434	5	M10 FLAT WASHER
9	9100025	2	M10 DOMED NUT
10	04.282.09	2	M10 X 85 STUD
11	05.286.02	2	M10 FULL NUT
12	1777029	2	SPACER

# Spearhead TWIGA 320/420

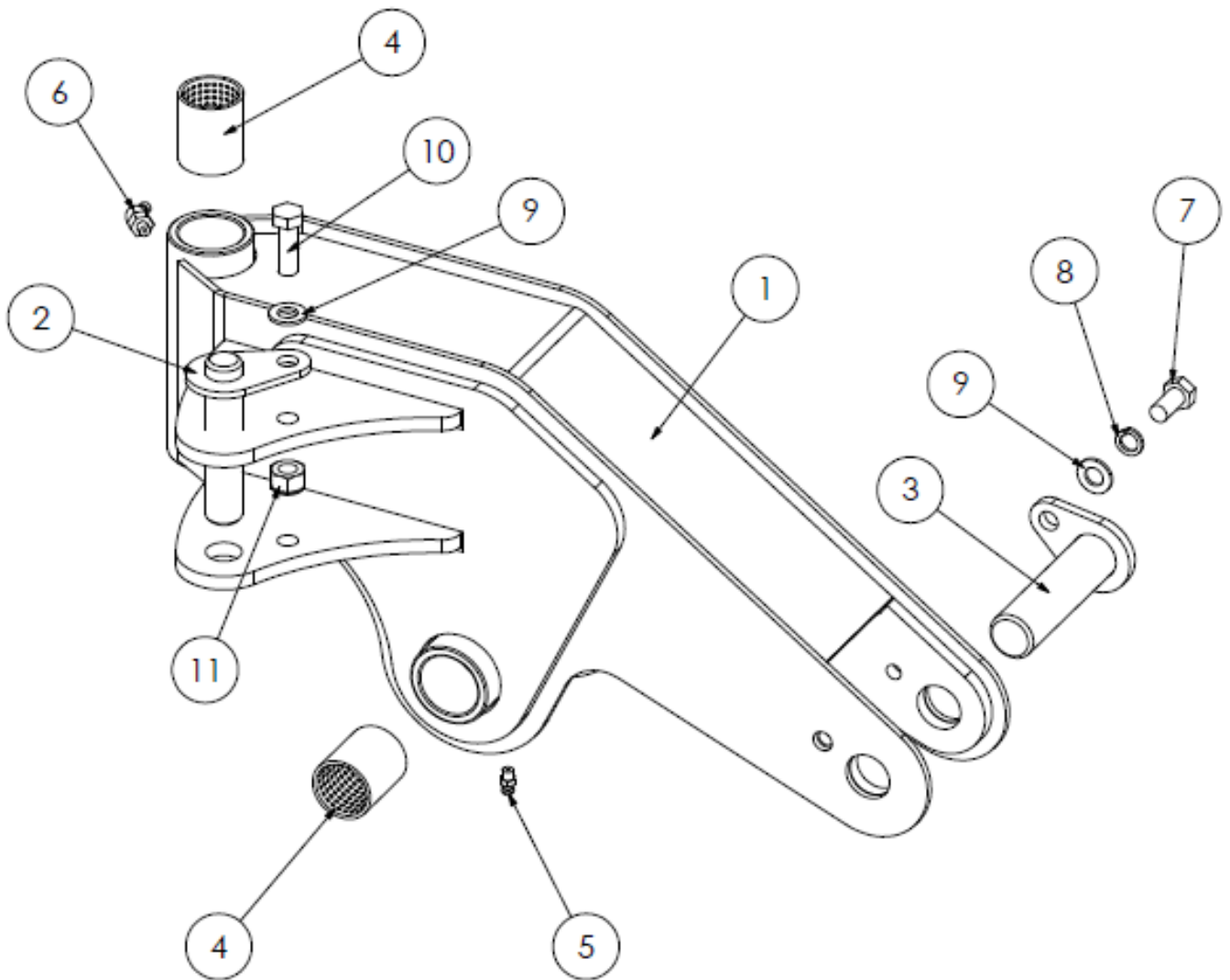
420 TIE BAR - S180030.I3  
320 TIE BAR - S180030.I4



REF NO.	PART NO.	QTY.	DESCRIPTION
1	180207	1	TIE BAR - 420
1	180313	1	TIE BAR - 320
2	2770467	2	M6 ST GREASE NIPPLE
3	4600417	4	BUSH

# Spearhead TWIGA 320/420

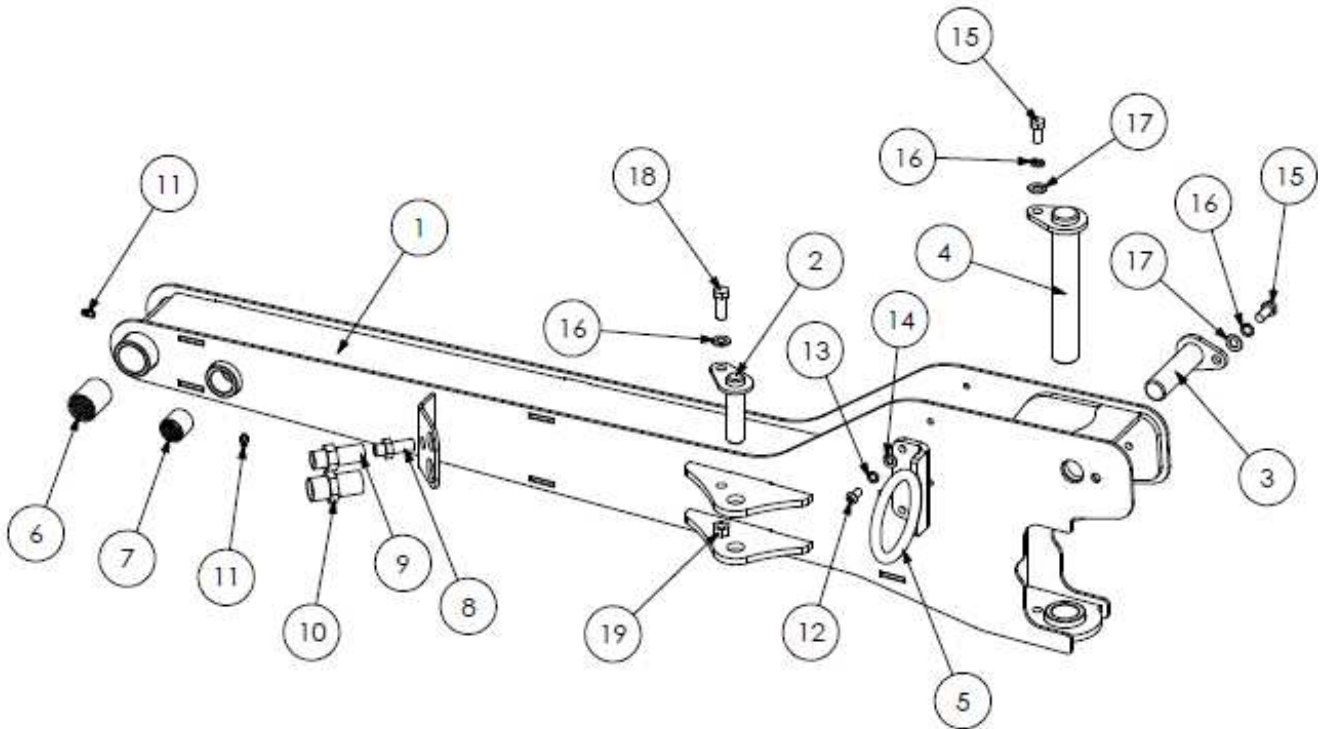
LH 320 KNUCKLE – S180030.I5  
RH 320 KNUCKLE – S180030.I6



REF NO.	PART NO.	QTY.	DESCRIPTION
1	180184	1	LH KNUCKLE
1	180186	1	RH KNUCKLE
2	1782085	1	PEAR PIN: 19 X 84 mm
3	1782125	1	PEAR PIN: 25.4 X 93 mm
4	42654.08	4	BUSH
5	2770467	1	M6 ST GREASE NIPPLE
6	2770459	1	M6 45° GREASE NIPPLE
7	277418	1	M10 X 20 BOLT
8	2770469	1	M10 SPRING WASHER
9	2770434	2	M10 FLAT WASHER
10	2770421	1	M10 X 30 BOLT

# Spearhead TWIGA 320/420

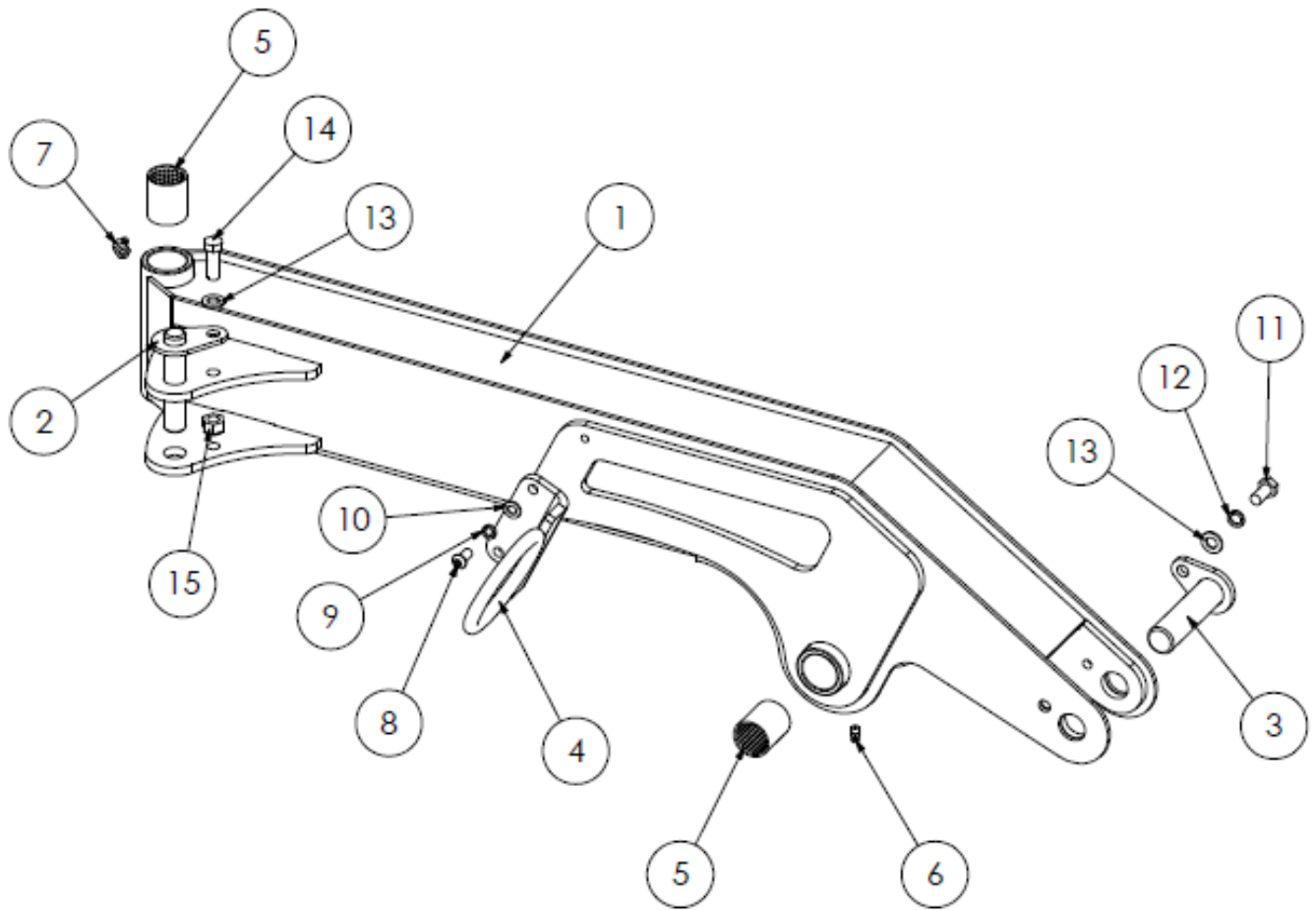
LH DIPPER ARM - S180030.17  
RH DIPPER ARM - S180030.18



REF NO.	PART NO.	QTY.	DESCRIPTION
1	180185	1	LH DIPPER ARM
1	180187	1	RH DIPPER ARM
2	1782086	1	PEAR PIN: 19 X 72 mm
3	1782125	1	PEAR PIN: 25.4 X 93 mm
4	1782126	1	PEAR PIN: 30 X 176 mm
5	21844.02	1	HOSE RING
6	42654.08	2	BUSH
7	4600417	2	BUSH
8	3460122	1	1/4" BULKHEAD
9	3700187	1	1/2" BULKHEAD
10	3460130	1	3/4" BULKHEAD
11	2770467	2	M6 ST GREASE NIPPLE
12	2770370	2	M8 X 15 SKT BUTTON SCREW
13	2770433	2	M8 SPRING WASHER
14	2770432	2	M8 FLAT WASHER
15	2770418	2	M10 X 20 BOLT
16	2770469	2	M10 SPRING WASHER
17	2770434	3	M10 FLAT WASHER
18	2770421	1	M10 X 30 BOLT
19	2770412	1	M10 NYLOCK

# Spearhead TWIGA 320/420

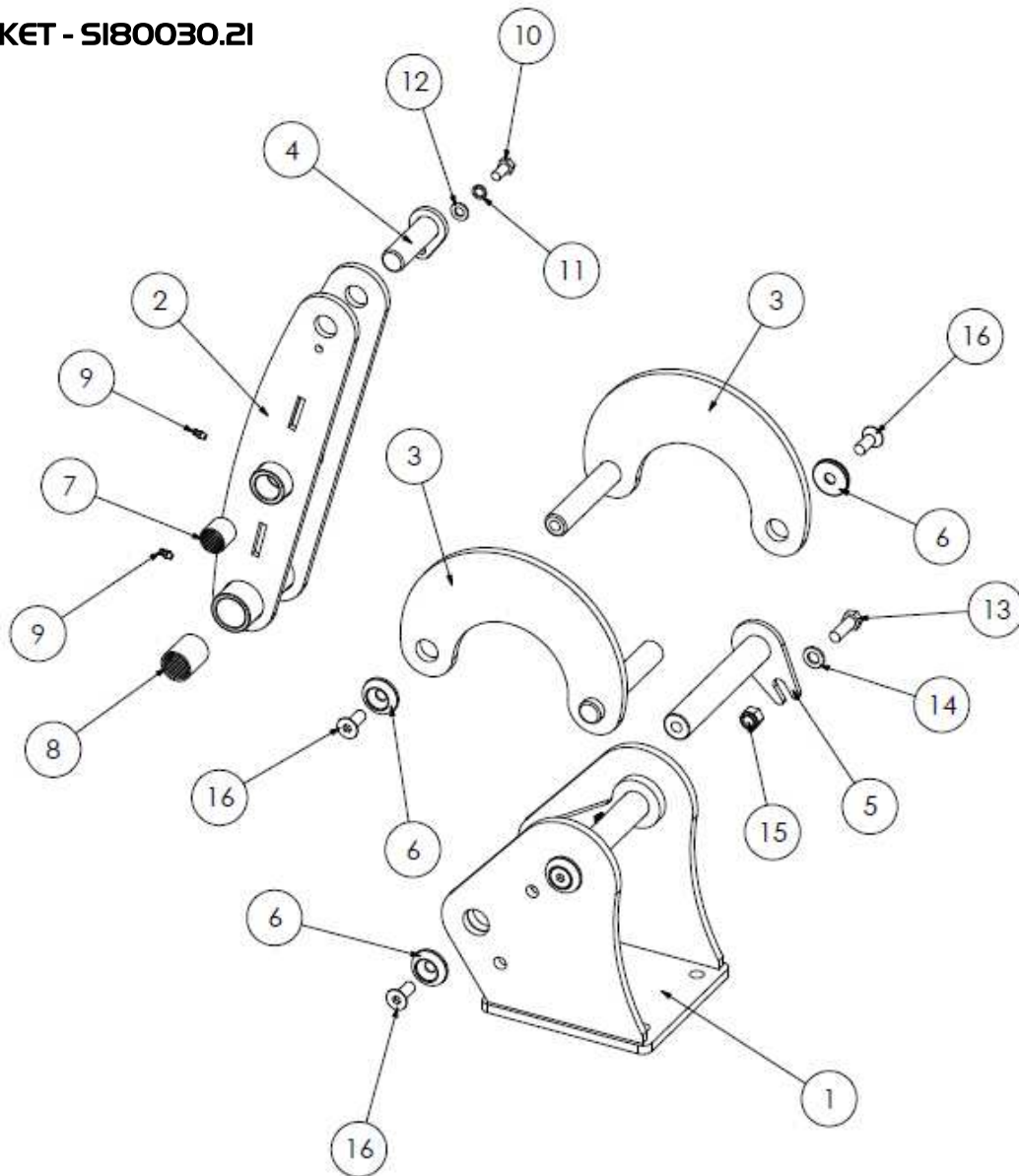
LH 420 KNUCKLE – S180030.19  
RH 420 KNUCKLE – S180030.20



REF NO.	PART NO.	QTY.	DESCRIPTION
1	180314	1	LH KNUCKLE
1	180315	-	RH KNUCKLE
2	1782085	1	PEAR PIN: 19 X 84 mm
3	1782125	1	PEAR PIN: 25.4 X 93 mm
4	21844.02	1	HOSE RING
5	42654.08	4	BUSH
6	2770467	1	M6 ST GREASE NIPPLE
7	2770459	1	M6 45° GREASE NIPPLE
8	2770370	2	M8 X 15 SKT BUTTON SCREW
9	2770433	2	M8 SPRING WASHER
10	2770432	2	M8 FLAT WASHER
11	2770418	1	M10 X 20 BOLT
12	2770469	1	M10 SPRING WASHER
13	2770434	2	M10 FLAT WASHER
14	2770421	1	M10 X 30 BOLT
15	2770412	1	M10 NYLOCK

# Spearhead TWIGA 320/420

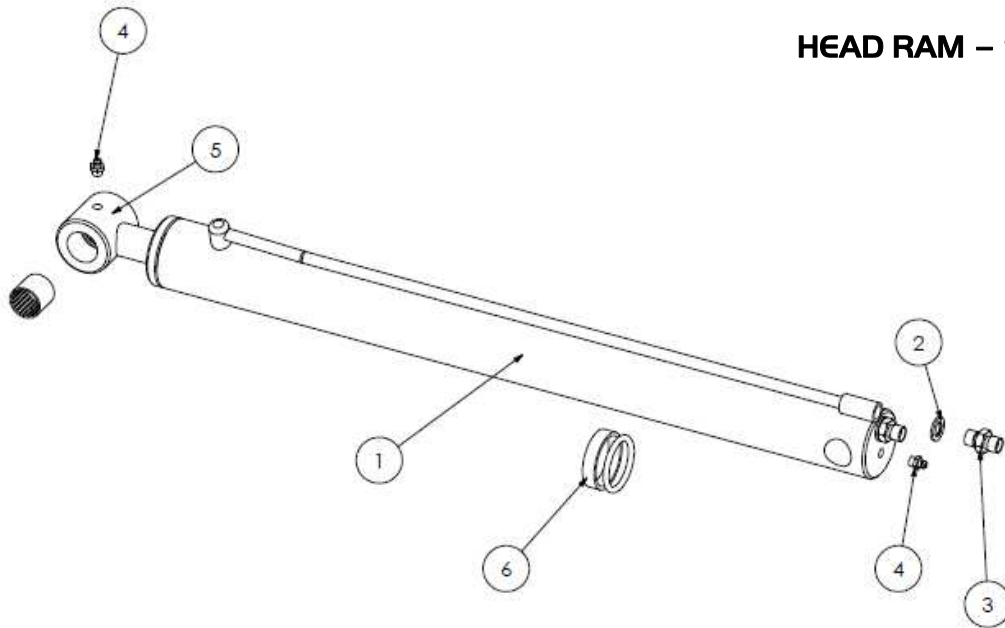
## HEAD BRACKET - SI80030.2I



REF NO.	PART NO.	QTY.	DESCRIPTION
1	1778013	1	HEAD BRACKET
2	180310	1	HEAD CROWD LINK
3	180311	2	CURVED LINK
4	1782128	1	PEAR PIN: 25.4 X 78 mm
5	1777483	2	PEAR PIN: 30 X 179 mm
6	1777209	4	RETAINING WASHER - 40 mm
7	4600417	2	BUSH
8	42654.08	2	BUSH
9	2770467	2	M6 ST GREASE NIPPLE
10	2770418	1	M10 X 20 BOLT
11	2770469	1	M10 SPRING WASHER
12	2770434	1	M10 FLAT WASHER
13	2770535	2	M12 X 35 BOLT
14	2770436	2	M12 FLAT WASHER
15	2770417	2	M12 NYLOCK
16	2770506	4	M12 X 30 SKT CSK SCREW

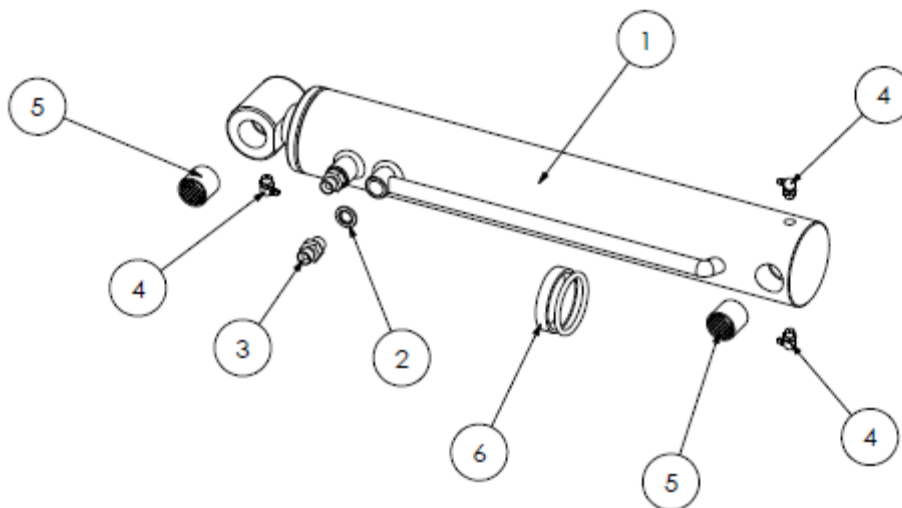
# Spearhead TWIGA 320/420

## HEAD RAM – S180030.22



REF NO.	PART NO.	QTY.	DESCRIPTION
1	3580644	1	RAM
2	3260070	2	1/4" BONDED SEAL
3	3360080	2	1/4" M-M ADAPTOR
4	01.070.04	2	1/8" ST GREASE NIPPLE
5	4600417	2	BUSH
6	3580665W	1	SEAL KIT

## LIFT/REACH RAM – S180030.23

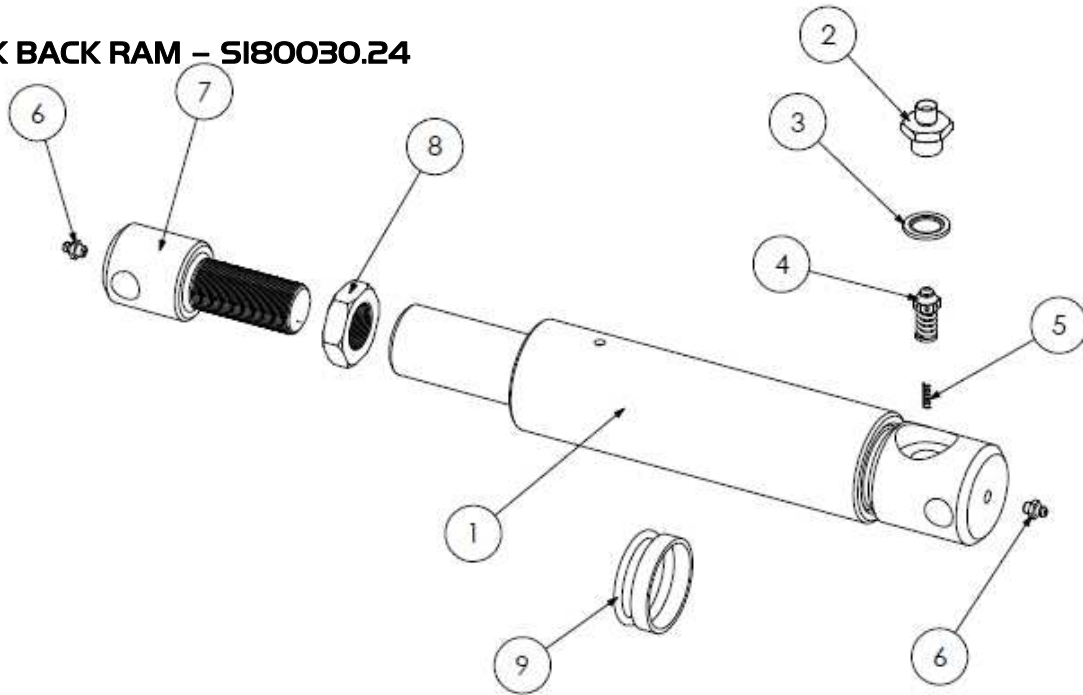


REF NO.	PART NO.	QTY.	DESCRIPTION
1	3580680	1	RAM
2	3260070	2	1/4" BONDED SEAL
3	3360080	2	1/4" M-M ADAPTOR
4	2770502	3	1/8" 90° GREASE NIPPLE
5	4600417	4	BUSH
6	3580680.01	1	SEAL KIT



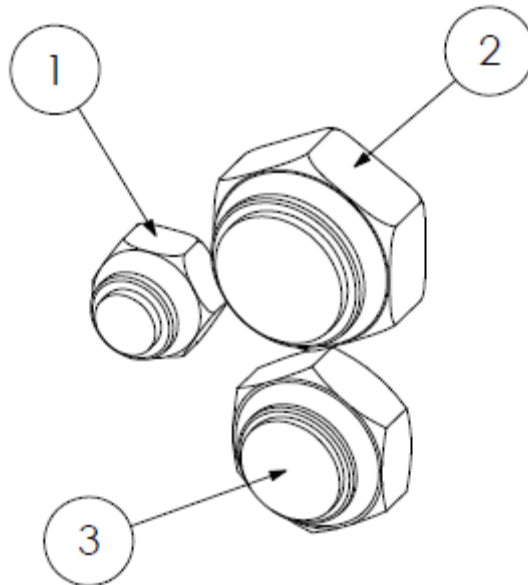
# Spearhead TWIGA 320/420

## BREAK BACK RAM - S180030.24



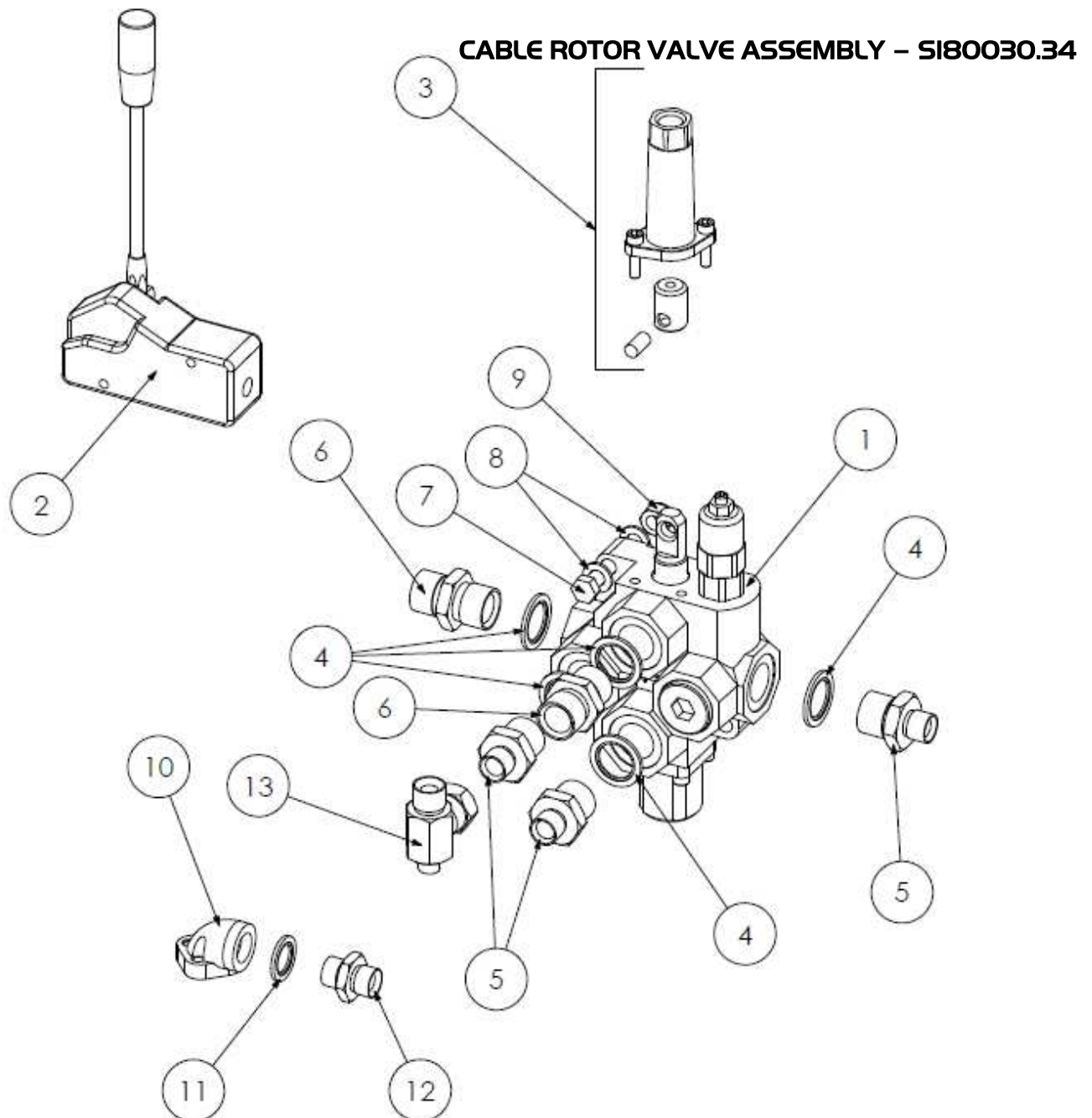
REF NO.	PART NO.	QTY.	DESCRIPTION
1	3580714	1	RAM
2	8130083	1	1/4" M - 1/2" M ADAPTOR
3	3360074	1	1/2" BONDED SEAL
4	8130189	1	RELIEF VALVE
5	8116011	1	SPRING
6	01.070.04	2	1/8" ST GREASE NIPPLE
7	3580714.03	1	THREADED ROD END
8	2770644	1	LOCKING NUT
9	41322.02SK	1	SEAL KIT

## HOSE BLANKING CAPS - S180030.31



REF NO.	PART NO.	QTY.	DESCRIPTION
1	3460104	1	1/4" BLANKING CAP
2	3460117	1	3/4" BLANKING CAP
3	8582054	1	1/2" BLANKING CAP

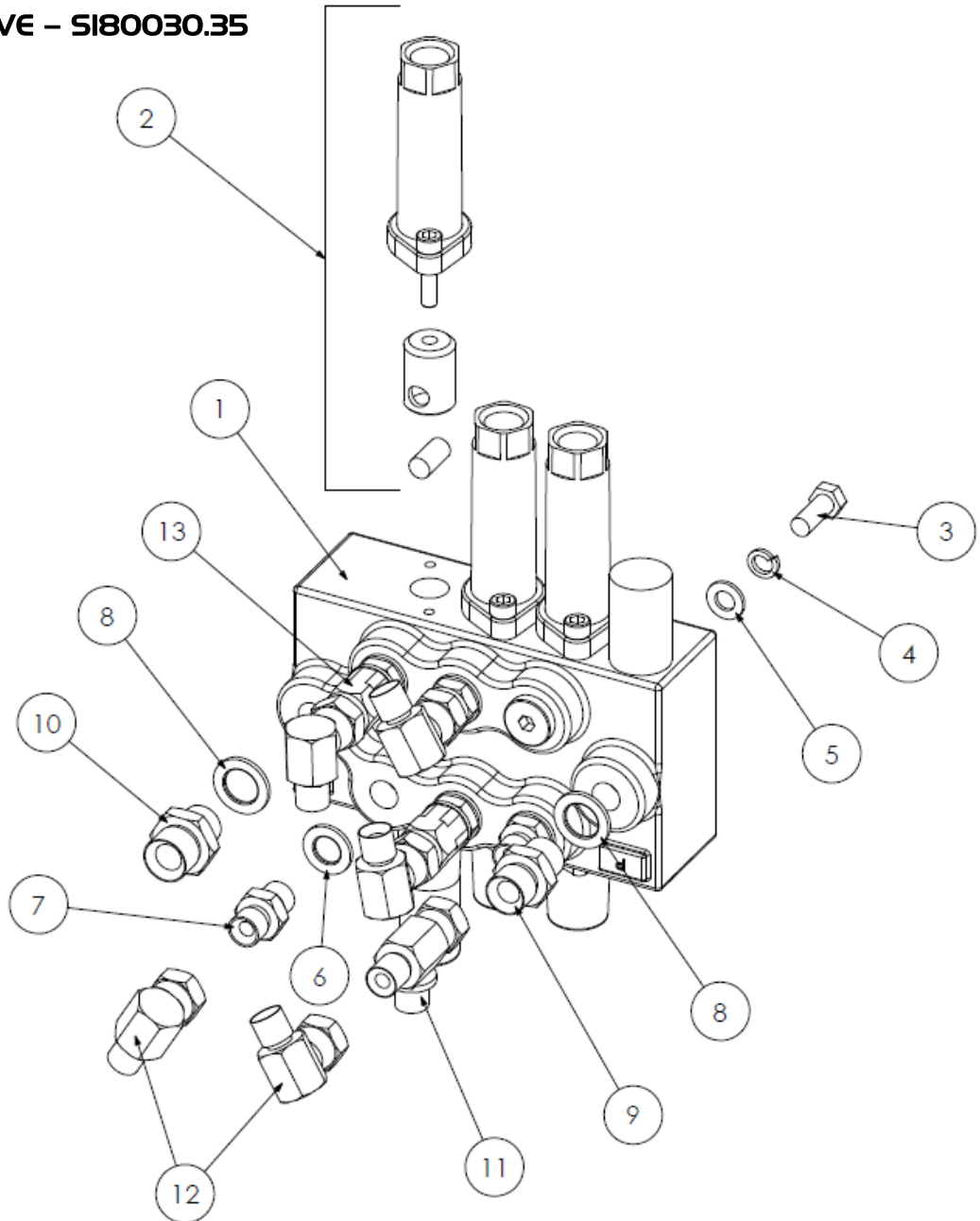
# Spearhead TWIGA 320/420



REF NO.	PART NO.	QTY.	DESCRIPTION
1	48033.02	1	VALVE (Pg - 67)
2	47531.05	1	CABLE AND LEVER ASSEMBLY
3	47539.01	1	CABLE FITTING KIT
4	3260073	5	3/4" BONDED SEAL
5	3360089	3	1/2" M - 3/4" M ADAPTOR
6	3360090	2	3/4" M-M ADAPTOR
7	2772283	2	M10 X 45 BOLT
8	2770434	4	M10 FLAT WASHER
9	2770412	2	M10 NYLOCK
10	3151057	1	1/2" PORT ELBOW
11	3260072	1	1/2" BONDED SEAL
12	3460301	1	1/2" M-M ADAPTOR
13	04.056.49	1	1/2" M/FM - 1/4" M TEE

# Spearhead TWIGA 320/420

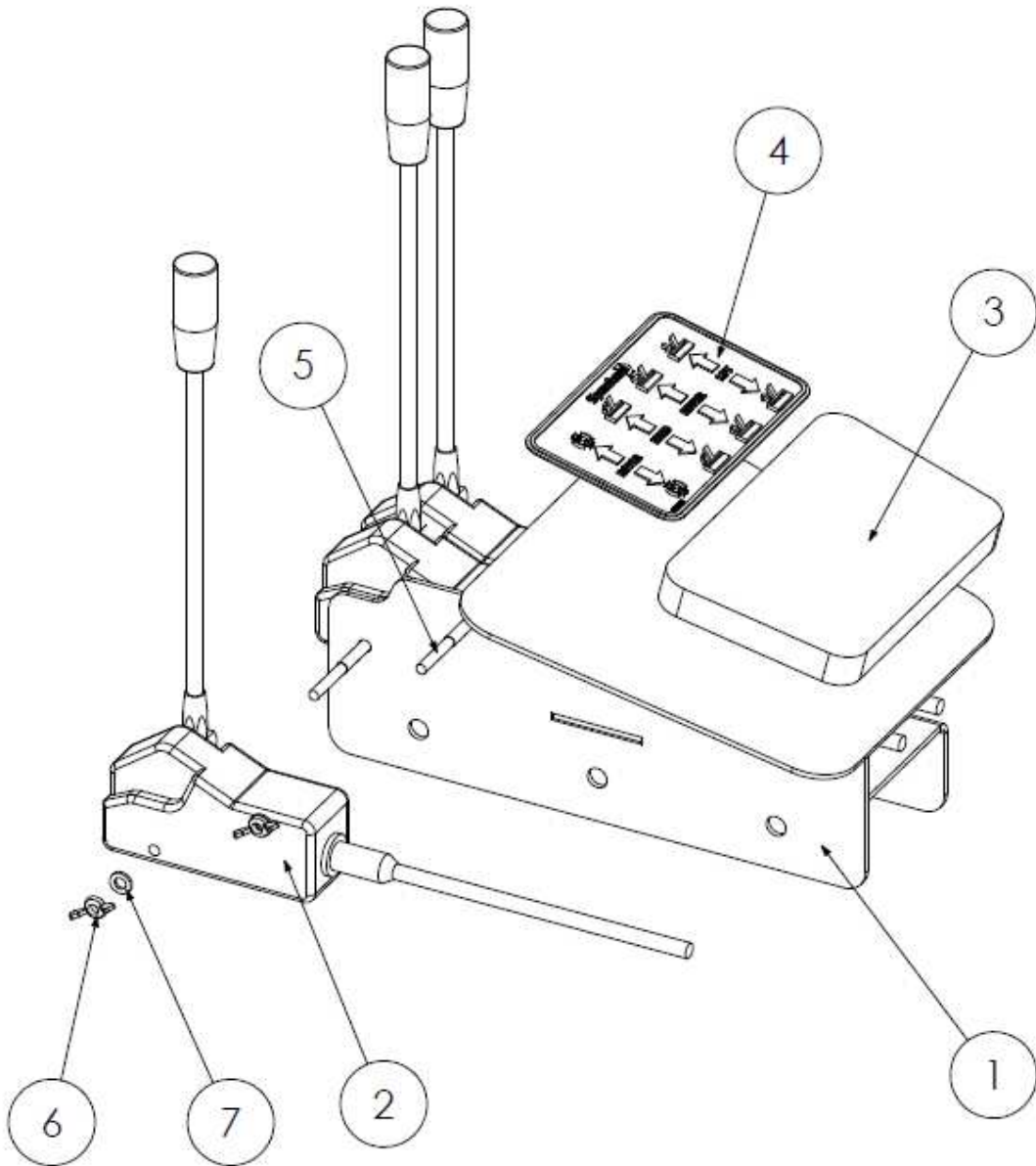
## CABLE CONTROL VALVE – S180030.35



REF NO.	PART NO.	QTY.	DESCRIPTION
1	8136250	1	VALVE
2	47532.01	3	CABLE FITTING KIT
3	2770402	3	M8 X 20 BOLT
4	2770433	3	M8 SPRING WASHER
5	2770432	3	M8 FLAT WASHER
6	3260070	5	1/4" BONDED SEAL
7	3360080	7	1/4" M-M ADAPTOR
8	3260071	2	3/8" BONDED SEAL
9	3360086	1	3/8" M-M ADAPTOR
10	3360088	1	3/8" M - 1/2" M ADAPTOR
11	3460300	1	1/4" TEE
12	3460107	5	1/4" COMP 90°
13	3250148	2	1/4" FM-M FIXED

# Spearhead TWIGA 320/420

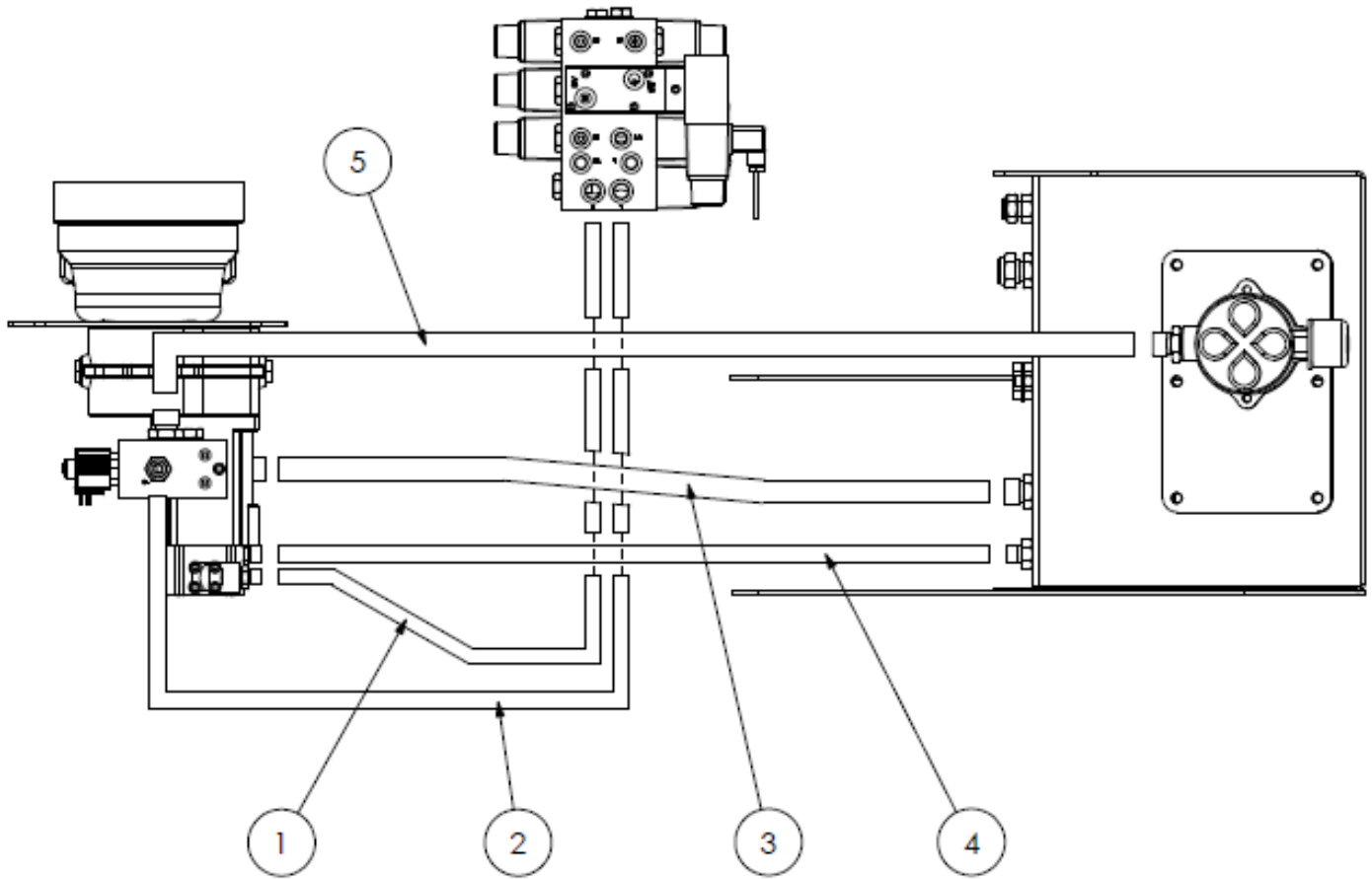
LH CABLE CONTROLS – S180030.36  
RH CABLE CONTROLS – S180030.38



REF NO.	PART NO.	QTY.	DESCRIPTION
1	180325	1	BRACKET
2	47531.01	3	LEVER ASSEMBLY
3	5771642	1	FOAM PAD
4	8770465	1	LH DECAL
4	8770466	-	RH DECAL
5	04.282.70	2	M6 X 191 STUD
6	05.948.37	4	M6 WING NUT
7	2771408	4	M6 FLAT WASHER

# Spearhead TWIGA 320/420

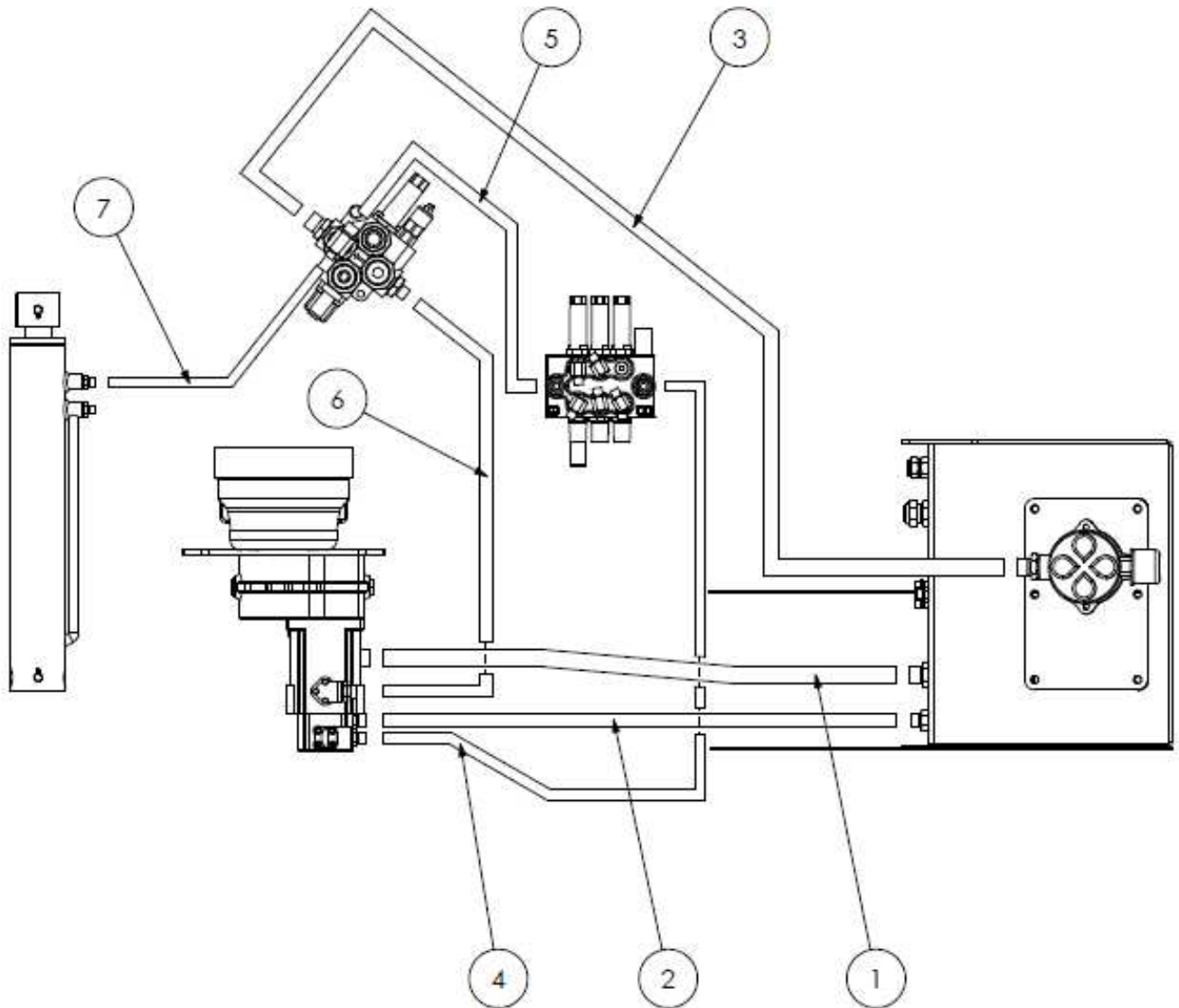
RH MINIPILOT BASE HOSE KIT – S180030.25  
 LH MINIPILOT BASE HOSE KIT – S180030.32



REF NO.	PART NO.	QTY. RH	QTY. LH	DESCRIPTION
-	3751037	1	-	RH HOSE KIT
-	3751064	-	1	LH HOSE KIT
1	3751037.01	1	1	3/8" HOSE - 500mm
2	3751037.02	1	1	1/2" HOSE - 480mm
3	3751037.03	1	-	3/4" HOSE - 485mm
3	3751064.01	-	1	3/4" HOSE - 365mm
4	3751037.04	1	-	1/2" HOSE - 480mm
4	3751064.02	-	1	1/2" HOSE - 360mm
5	3751037.05	1	1	3/4" HOSE - 790mm
6	06.023.01	15	15	LARGE CABLE TIE
7	30.058.66	15	15	SMALL CABLE TIE

# Spearhead TWIGA 320/420

RH CABLE BASE HOSE KIT – S180030.26  
 LH CABLE BASE HOSE KIT – S180030.48



REF NO.	PART NO.	QTY. RH	QTY. LH	DESCRIPTION
-	3751065	1	-	RH HOSE KIT
-	3751070	-	1	LH HOSE KIT
1	3751037.03	1	-	3/4" HOSE - 485mm
1	3751064.01	-	1	3/4" HOSE - 365mm
2	3751037.04	1	-	1/2" HOSE - 480mm
2	3751064.02	-	1	1/2" HOSE - 360mm
3	3751037.05	1	1	3/4" HOSE - 790mm
4	3751065.01	1	1	3/8" HOSE - 450mm
5	3751065.02	1	1	1/2" HOSE - 550mm
6	3751065.03	1	1	1/2" HOSE - 530mm
7	3751065.04	1	1	1/4" HOSE - 900mm
9	06.023.01	15	15	LARGE CABLE TIE
10	30.058.66	15	15	SMALL CABLE TIE

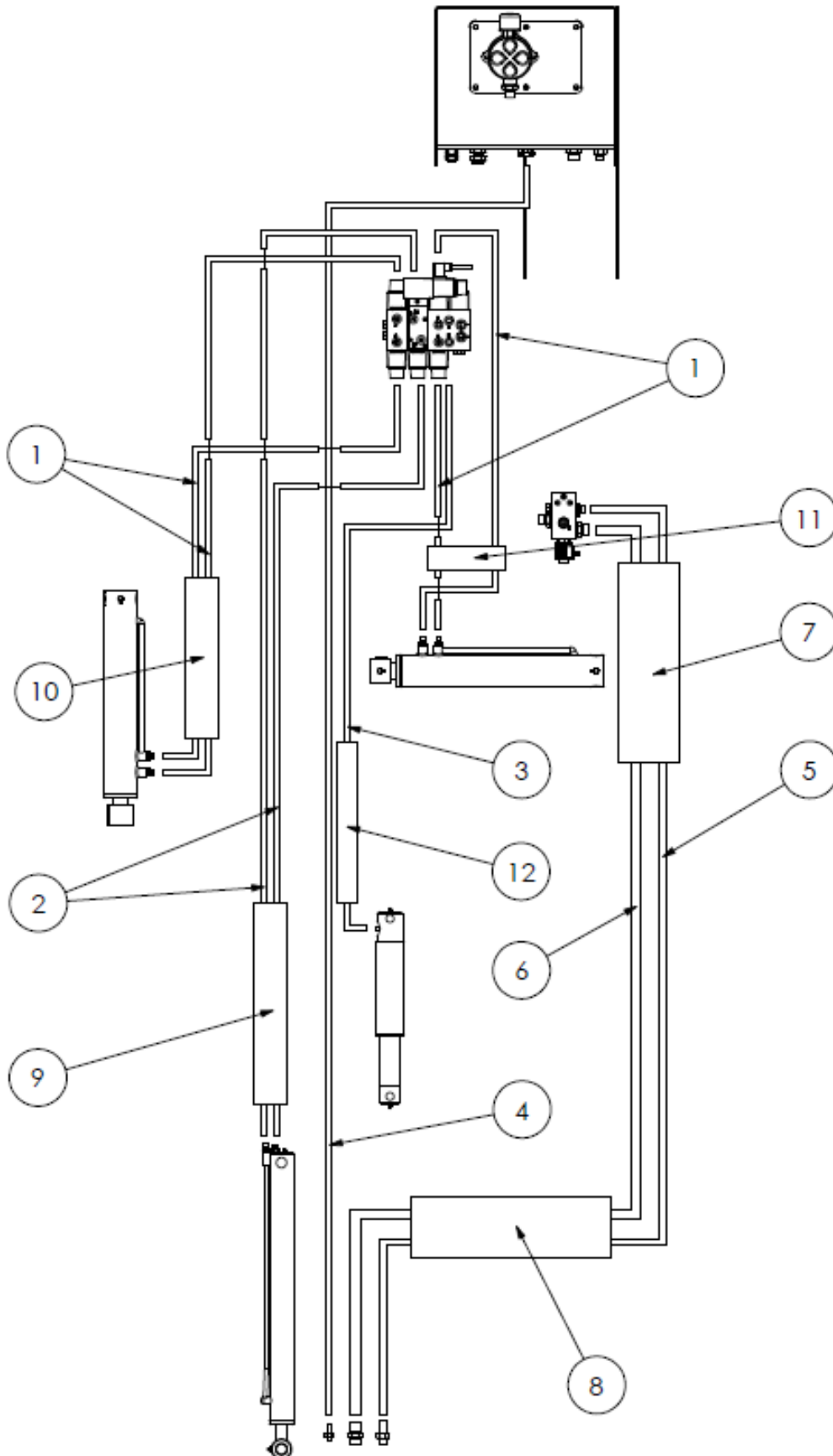
# Spearhead TWIGA 320/420

320 MINIPILOT ARM HOSE KIT - S180030.27

420 MINIPILOT ARM HOSE KIT - S180030.28

320 HXF MINIPILOT ARM HOSE KIT - S180030.33

420 HXF MINIPILOT ARM HOSE KIT - S180030.40



# Spearhead TWIGA 320/420

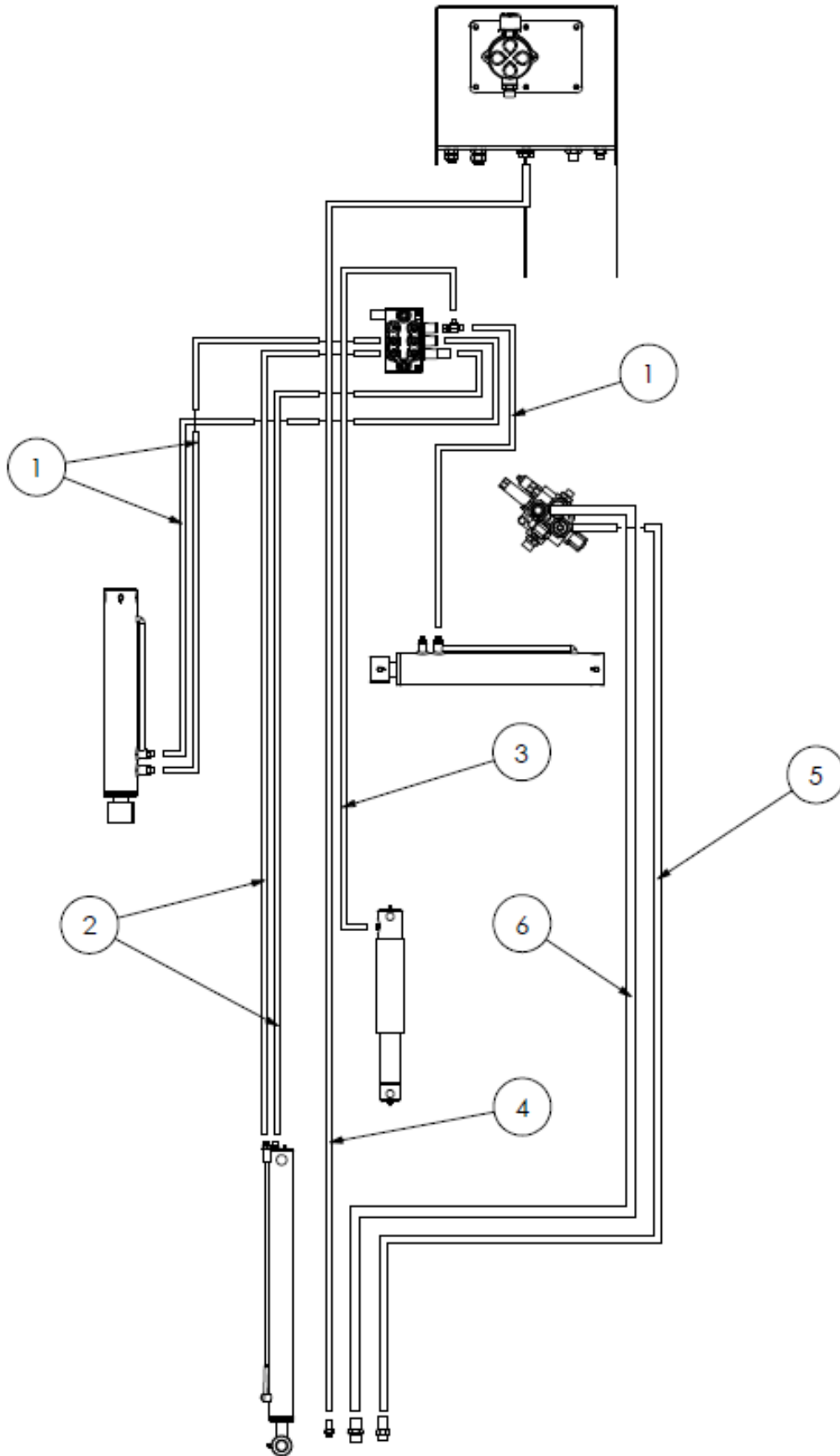
**320 MINIPILOT ARM HOSE KIT - S180030.27**  
**420 MINIPILOT ARM HOSE KIT - S180030.28**  
**320 HXF MINIPILOT ARM HOSE KIT - S180030.33**  
**420 HXF MINIPILOT ARM HOSE KIT - S180030.40**

REF NO.	PART NO.	QTY. 320	QTY. 420	QTY. 320HXF	QTY. 420HXF	DESCRIPTION
-	3751320	1	-	-	-	320 HOSE KIT
-	3751420	-	1	-	-	420 HOSE KIT
-	3751321	-	-	1	-	320 HXF HOSE KIT
-	3751421	-	-	-	1	420 HXF HOSE KIT
1	3751320.01	4	4	4	4	1/4" HOSE - 1400mm
2	3751320.02	2	-	2	-	1/4" HOSE - 2600mm
2	3751420.01	-	2	-	2	1/4" HOSE - 3600mm
3	3751320.03	1	-	-	-	1/4" HOSE - 2500mm
3	3751420.02	-	1	-	-	1/4" HOSE - 3500mm
3	3751321.01	-	-	1	-	1/4" HOSE - 3300mm
3	3751421.01	-	-	-	1	1/4" HOSE - 4300mm
4	3751320.04	1	-	1	-	1/4" HOSE - 3500mm
4	3751420.03	-	1	-	1	1/4" HOSE - 4500mm
5	3751320.05	1	-	-	-	1/2" HOSE - 3280mm
5	3751420.04	-	1	-	-	1/2" HOSE - 4280mm
5	3751321.02	-	-	1	-	1/2" HOSE - 4080mm
5	3751421.02	-	-	-	1	1/2" HOSE - 5080mm
6	3751320.06	1	-	-	-	3/4" HOSE - 3180mm
6	3751420.05	-	1	-	-	3/4" HOSE - 4180mm
6	3751321.03	-	-	1	-	3/4" HOSE - 3980mm
6	3751421.03	-	-	-	1	3/4" HOSE - 4980mm
7	43542.05	1	1	1	1	HOSE SLEEVE: 1500mm LRG
8	43542.19	1	-	1	-	HOSE SLEEVE: 1800mm LRG
8	43542.09	-	1	-	1	HOSE SLEEVE: 2200mm LRG
9	43543.03	1	-	1	-	HOSE SLEEVE: 1000mm SM
9	43543.04	-	1	-	1	HOSE SLEEVE: 1700mm SM
10	43543.09	1	1	1	1	HOSE SLEEVE: 1500mm SM
11	43543.11	1	1	1	1	HOSE SLEEVE: 700mm SM
12	43543.12	1	-	1	-	HOSE SLEEVE: 400mm SM
12	43543.05	-	1	-	1	HOSE SLEEVE: 800mm SM
13	06.023.01	5	5	5	5	LARGE CABLE TIE
14	30.058.66	10	10	10	10	SMALL CABLE TIE



# Spearhead TWIGA 320/420

320 CABLE ARM HOSE KIT - S180030.27  
420 CABLE ARM HOSE KIT - S180030.28



# Spearhead TWIGA 320/420

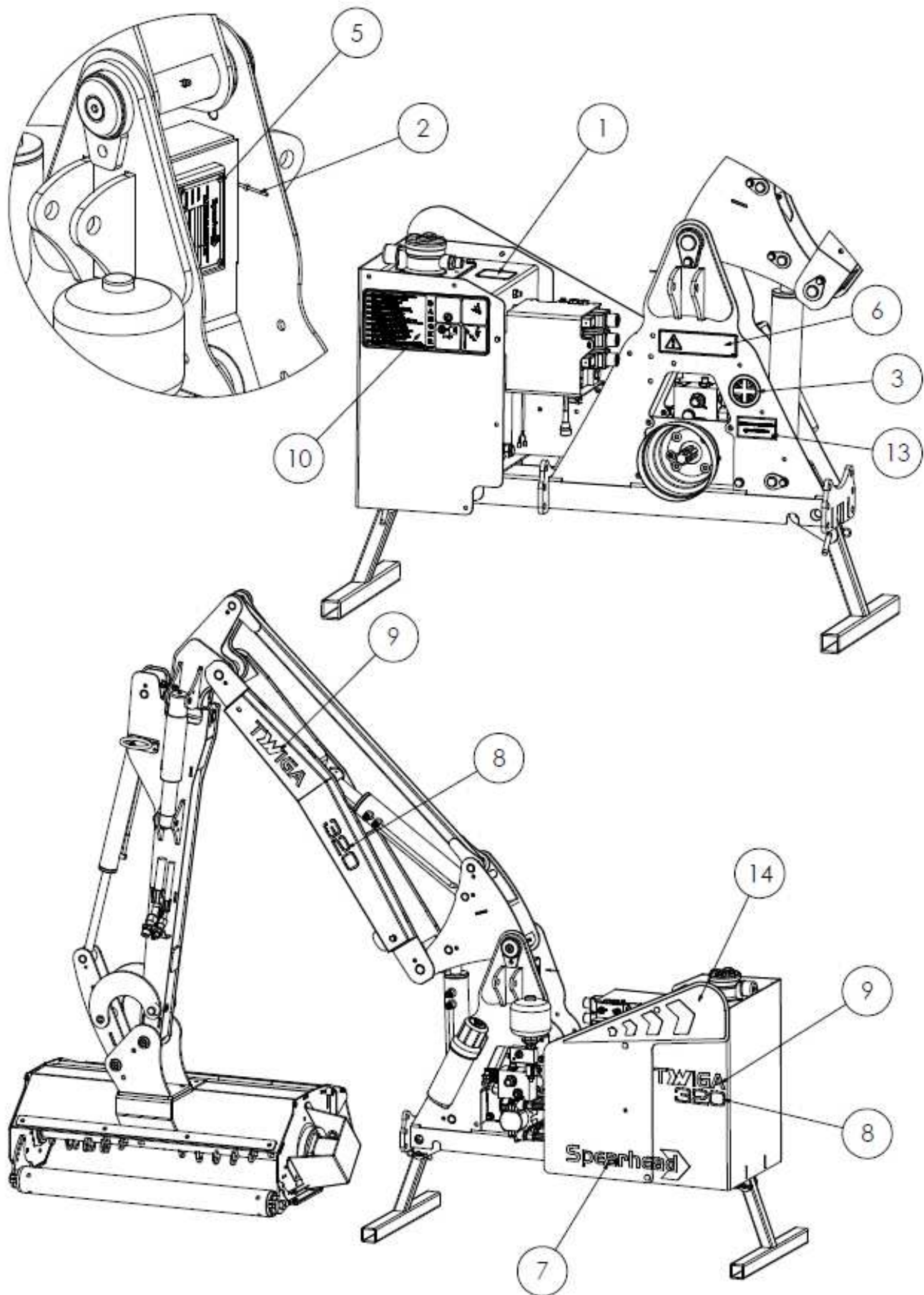
320 CABLE ARM HOSE KIT – S180030.27  
 420 CABLE ARM HOSE KIT - S180030.28

REF NO.	PART NO.	QTY. 320	QTY. 420	DESCRIPTION
-	3751320	1	-	320 HOSE KIT
-	3751420	-	1	420 HOSE KIT
1	3751320.01	4	4	1/4" HOSE - 1400mm
2	3751320.02	2	-	1/4" HOSE - 2600mm
2	3751420.01	-	2	1/4" HOSE - 3600mm
3	3751320.03	1	-	1/4" HOSE - 2500mm
3	3751420.02	-	1	1/4" HOSE - 3500mm
4	3751320.04	1	-	1/4" HOSE - 3500mm
4	3751420.03	-	1	1/4" HOSE - 4500mm
5	3751320.05	1	-	1/2" HOSE - 3280mm
5	3751420.04	-	1	1/2" HOSE - 4280mm
6	3751320.06	1	-	3/4" HOSE - 3180mm
6	3751420.05	-	1	3/4" HOSE - 4180mm
7	43542.05	1	1	HOSE SLEEVE: 1500mm LRG
8	43542.19	1	-	HOSE SLEEVE: 1800mm LRG
8	43542.09	-	1	HOSE SLEEVE: 2200mm LRG
9	43543.03	1	-	HOSE SLEEVE: 1000mm SM
9	43543.04	-	1	HOSE SLEEVE: 1700mm SM
10	43543.09	1	1	HOSE SLEEVE: 1500mm SM
11	43543.11	1	1	HOSE SLEEVE: 700mm SM
12	43543.12	1	-	HOSE SLEEVE: 400mm SM
12	43543.05	-	1	HOSE SLEEVE: 800mm SM
13	06.023.01	5	5	LARGE CABLE TIE
14	30.058.66	10	10	SMALL CABLE TIE

# Spearhead TWIGA 320/420

420 DECALS - S180030.29

320 DECALS - S180030.30



# Spearhead TWIGA 320/420

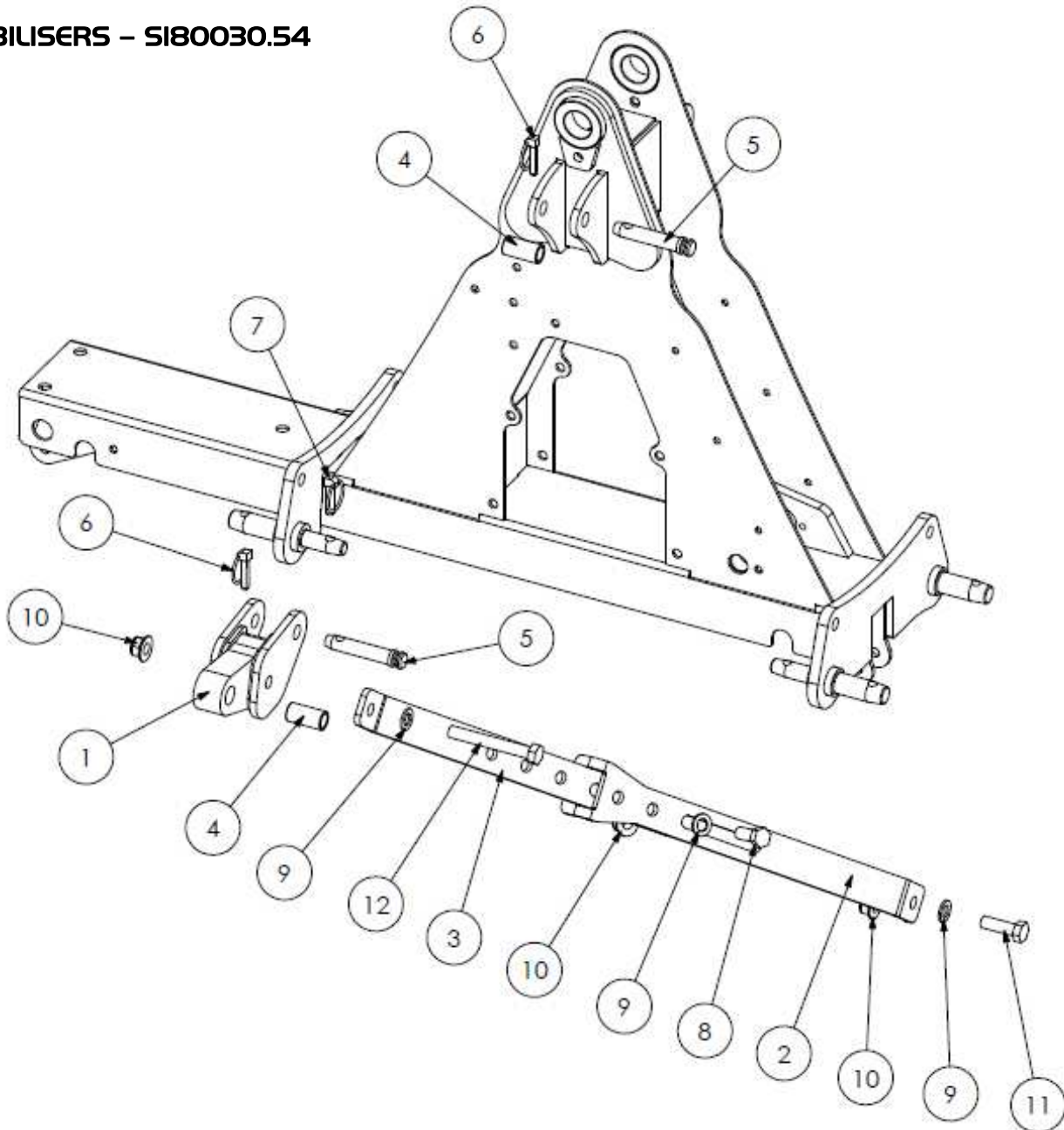
---

420 DECALS – S180030.29  
320 DECALS – S180030.30

REF NO.	PART NO.	QTY.	DESCRIPTION
1	8770550	1	FILTER CHANGE DECAL
2	7103230	4	RIVET
3	8770307	1	MADE IN GB DECAL
4	8770322	18	GREASE POINT DECAL
5	8770330	1	SERIAL NUMBER PLATE
6	8770346	1	CHECK CHAINS DECAL
7	8770374	1	SPEARHEAD DECAL
8	8770446	2	420 DECAL
8	8770445	2	320 DECAL
9	8770449	2	TWIGA DECAL
10	8770470	1	SAFETY DECAL
11	8999059	1	HANDBOOK
12	8999060	1	PARTS MANUAL
13	8770305	-	540RPM DECAL
13	8770323	-	1000RPM DECAL
14	8770447	-	LH TANK DECAL
14	8770448	-	RH TANK DECAL

# Spearhead TWIGA 320/420

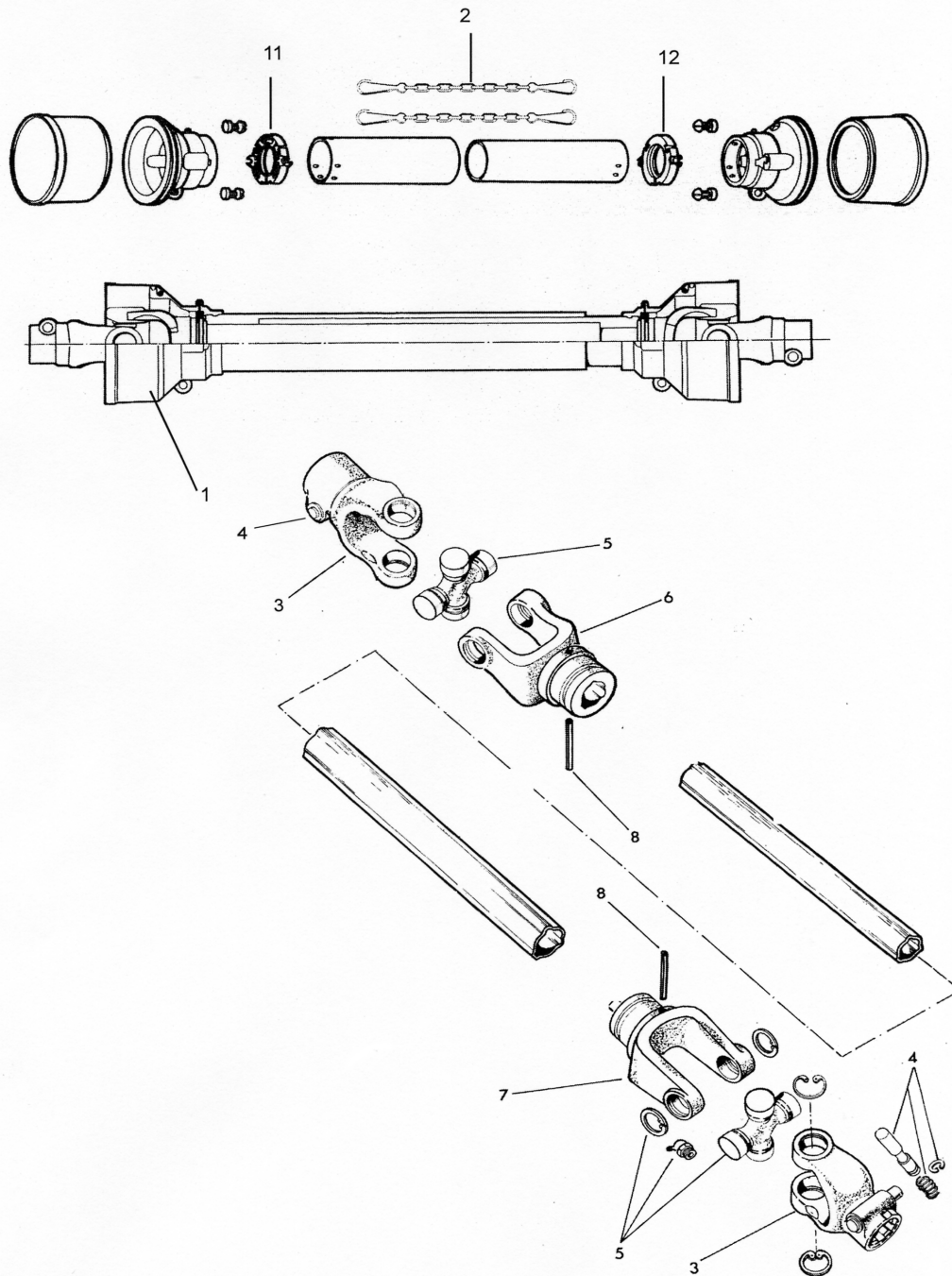
## STABILISERS – S180030.54



REF NO.	PART NO.	QTY.	DESCRIPTION
1	180324	1	STABILISER TONGUE
2	181612	2	OUTER STABILISER
3	181613	2	INNER STABILISER
4	1467063	2	CONVERSION BUSH
5	T8117	2	PIN
6	6310207	2	LYNCH PIN - 8mm
7	00.372.01	2	LYNCH PIN - 11mm
8	05.264.35	4	M16 X 40 BOLT
9	2770454	7	M16 FLAT WASHER
10	05.287.24	7	M16 FLANGE NYLOCK
11	2770425	2	M16 X 50 BOLT
12	2770399	1	M16 X 120 BOLT

# Spearhead TWIGA 320/420

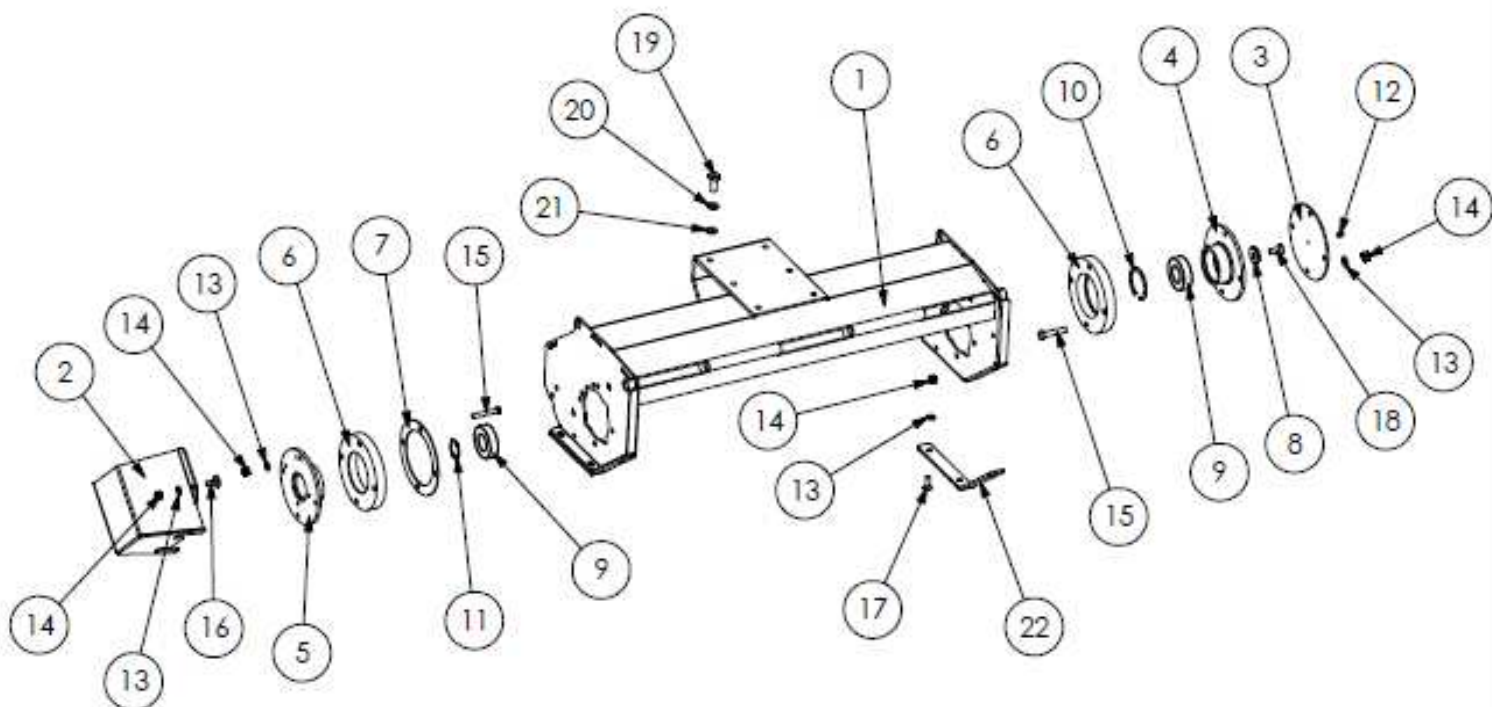
PTO SHAFT



REF NO.	PART NO.	QTY.	DESCRIPTION
	5770069	-	P.T.O. SHAFT
1	5772259	1	COMPLETE GUARD
2	5771020	2	RETAINING CHAIN
3	5770112	2	YOKE
4	5771023	2	RELEASE BUTTON
5	5770113	2	CROSS JOURNAL
6	5772273	1	INNER TUBE YOKE
7	5772274	1	OUTER TUBE YOKE
8	2770515	2	ROLL PIN
11	5771336	1	OUTER BEARING
12	5771337	1	INNER BEARING

# Spearhead TWIGA 320/420

0.9m HEAD COWL - S1800II.II



# Spearhead TWIGA 320/420

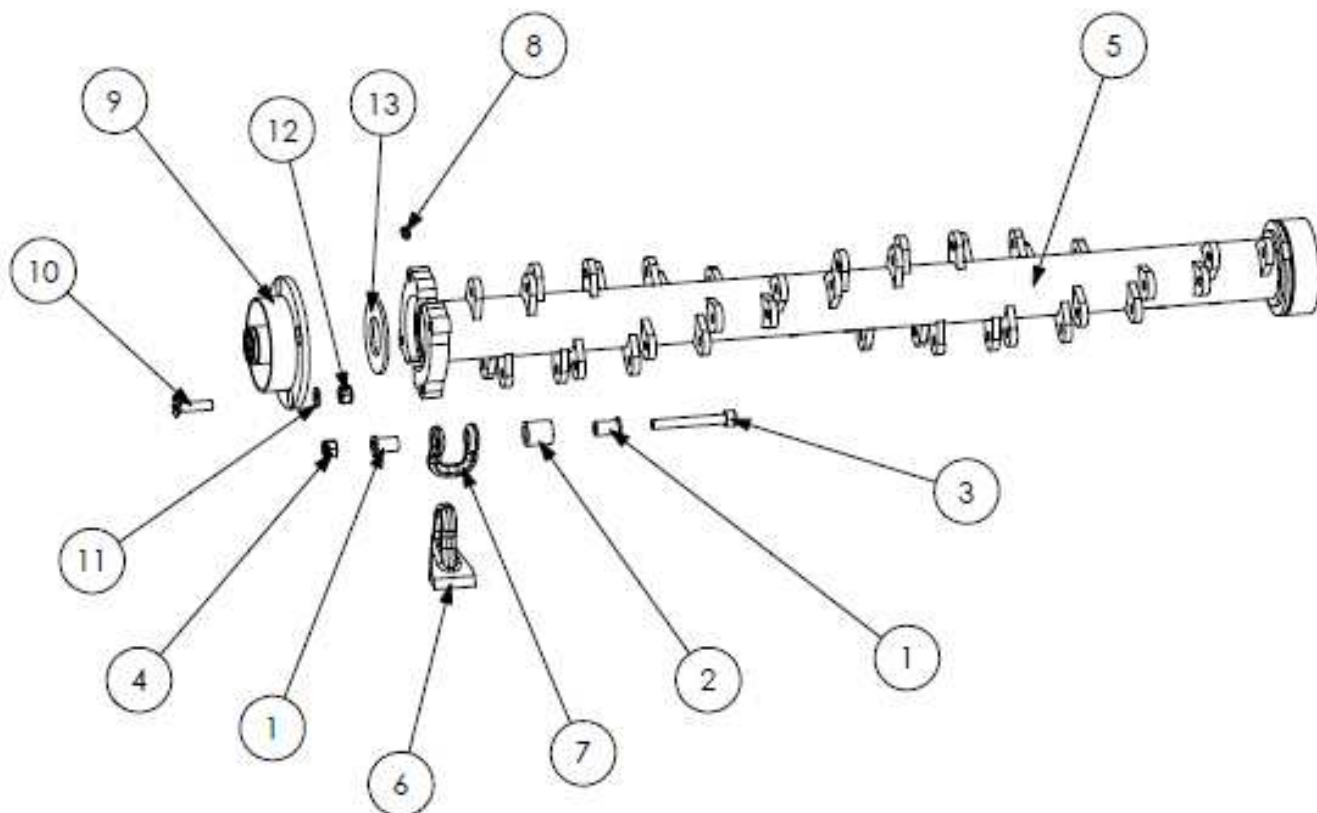
0.9m HEAD COWL – S1800II.II

REF.	PART NO.	QTY.	DESCRIPTION
1	180350	1	HEAD SHELL
2	180352	1	MOTOR GUARD
3	1778022	1	NON-DRIVE END COVER
4	1778010	1	DRIVE END BEARING HOUSING
5	1778011	1	NON-DRIVE END BEARING HOUSING
6	180355	2	ROTOR SPACER
7	180575	2	2mm SPACER SHIM
8	1777209	1	RETAINING WASHER - 40 mm
9	4770817	2	ROTOR BEARING
10	2771129	1	CIRCLIP
11	2777512	1	CIRCLIP
12	2770467	1	M6 ST GREASE NIPPLE
13	2770434	16	M10 FLAT WASHER
14	2770412	16	M10 NYLOCK
15	05.291.17	8	M10 X 60 BOLT
16	2770255	2	M10 X 25 COACH BOLT
17	2770520	6	M10 X 30 SKT CSK BOLT
18	2770506	1	M12 X 30 SKT CSK SCREW
19	2770453	4	M14 X 35 BOLT
20	2770457	4	M14 SPRING WASHER
21	2770455	4	M14 FLAT WASHER
22	1778021	2	HEAD SKID

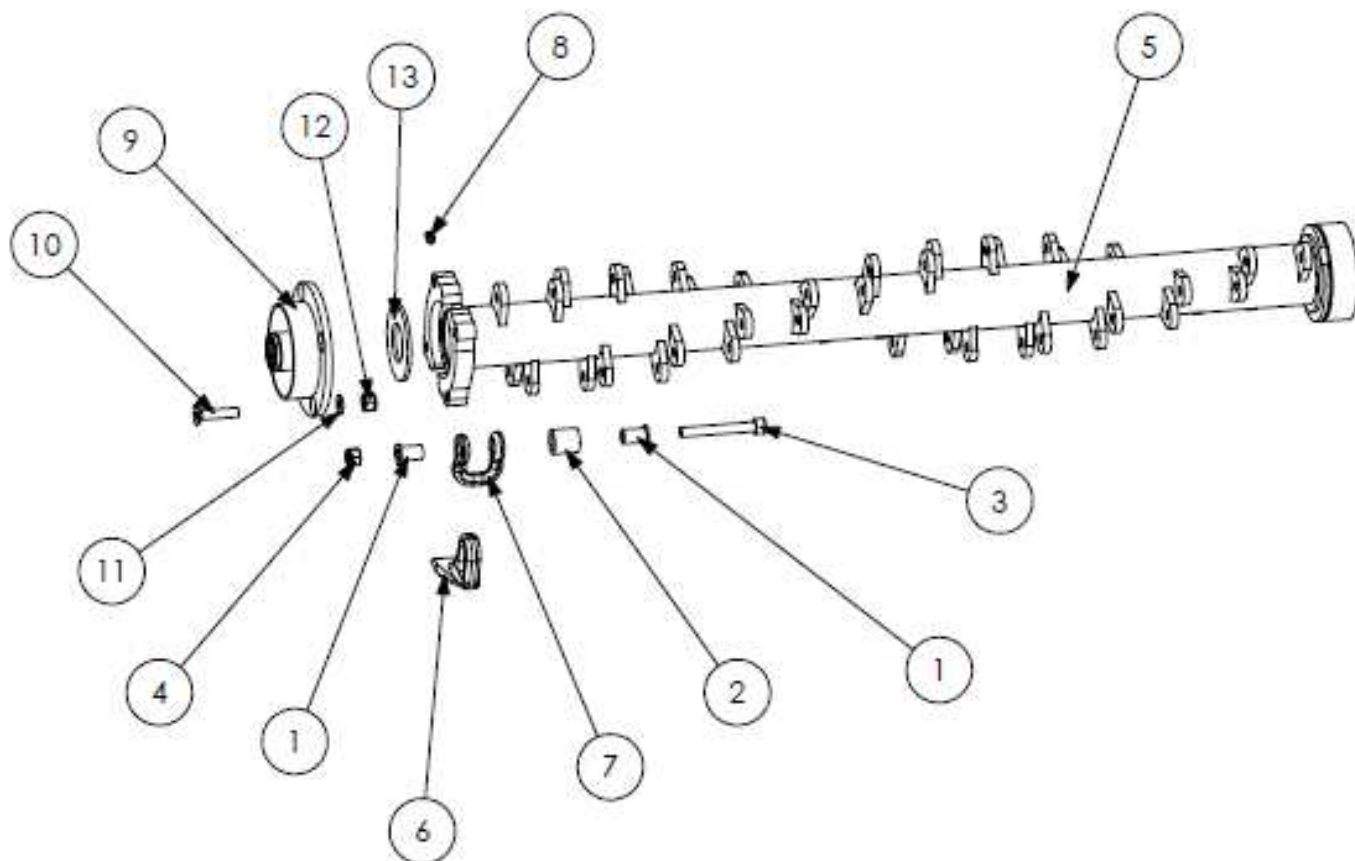


# Spearhead TWIGA 320/420

## RH BOOT FLAIL ROTOR - S1800II.I3



## LH BOOT FLAIL ROTOR - S1800II.I4



# Spearhead TWIGA 320/420

## RH BOOT FLAIL ROTOR - S1800II.I3

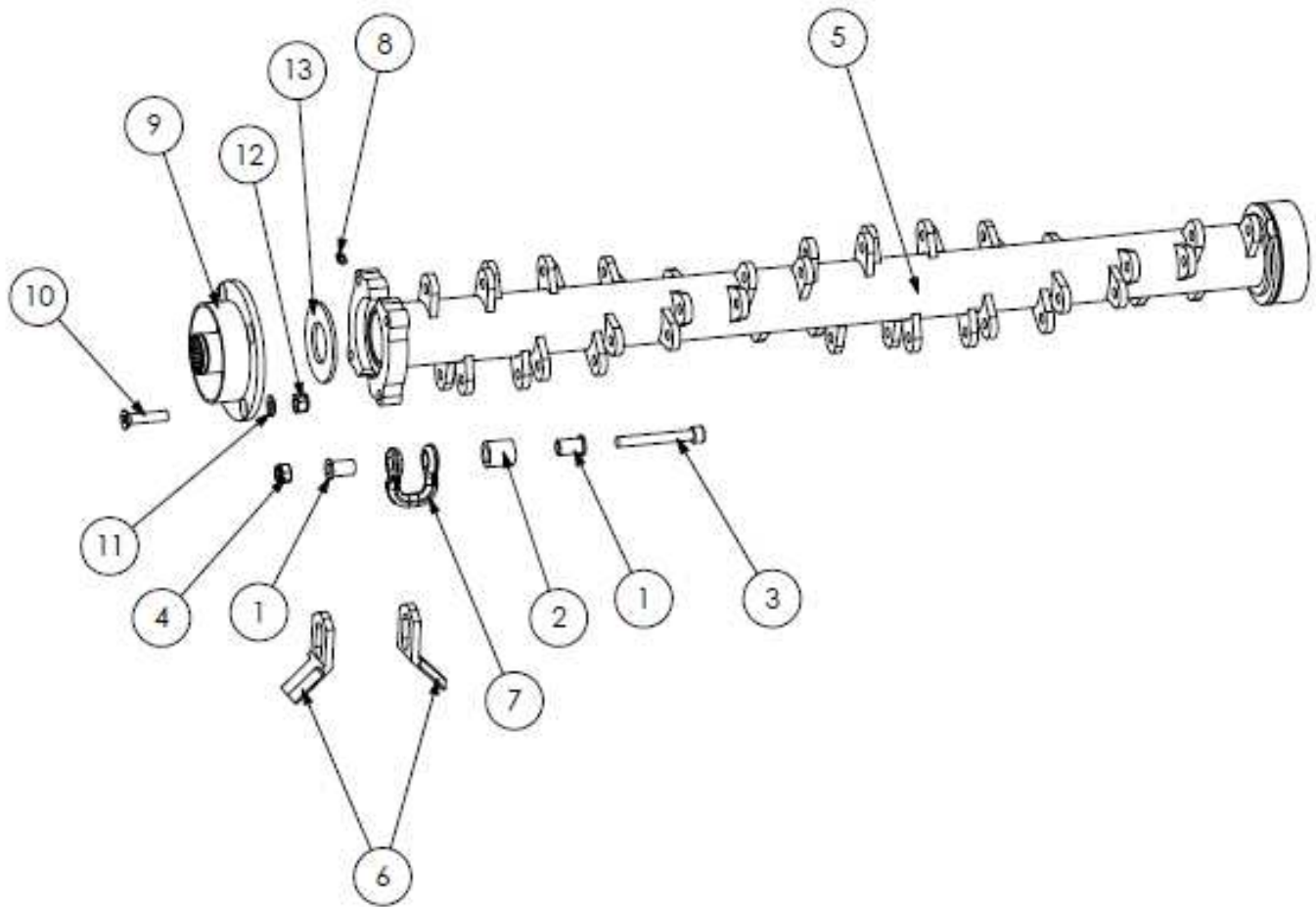
REF NO.	PART NO.	QTY.	DESCRIPTION
1	02.801.01	48	BUSH
2	02.807.01	24	SPACER
3	2770629	24	FLAIL BOLT
4	05.287.02	24	FLAIL NUT
5	180353	1	RH BOOT FLAIL ROTOR
6	7770740	24	BOOT FLAIL
7	7770741	24	SHACKLE
8	2770468	1	M8 GREASE NIPPLE
9	180449	1	DRIVE FLANGE
10	2770422	4	M10 X 40 SKT CSK SCREW
11	2770434	4	M10 FLAT WASHER
12	2770412	4	M10 NYLOCK
13	5771644	1	RUBBER SEAL

## LH BOOT FLAIL ROTOR - S1800II.I4

REF NO.	PART NO.	QTY.	DESCRIPTION
1	02.801.01	48	BUSH
2	02.807.01	24	SPACER
3	2770629	24	FLAIL BOLT
4	05.287.02	24	FLAIL NUT
5	180356	1	LH BOOT FLAIL ROTOR
6	7770740	24	BOOT FLAIL
7	7770741	24	SHACKLE
8	2770468	1	M8 GREASE NIPPLE
9	180449	1	DRIVE FLANGE
10	2770422	4	M10 X 40 SKT CSK SCREW
11	2770434	4	M10 FLAT WASHER
12	2770412	4	M10 NYLOCK
13	5771644	1	RUBBER SEAL

# Spearhead TWIGA 320/420

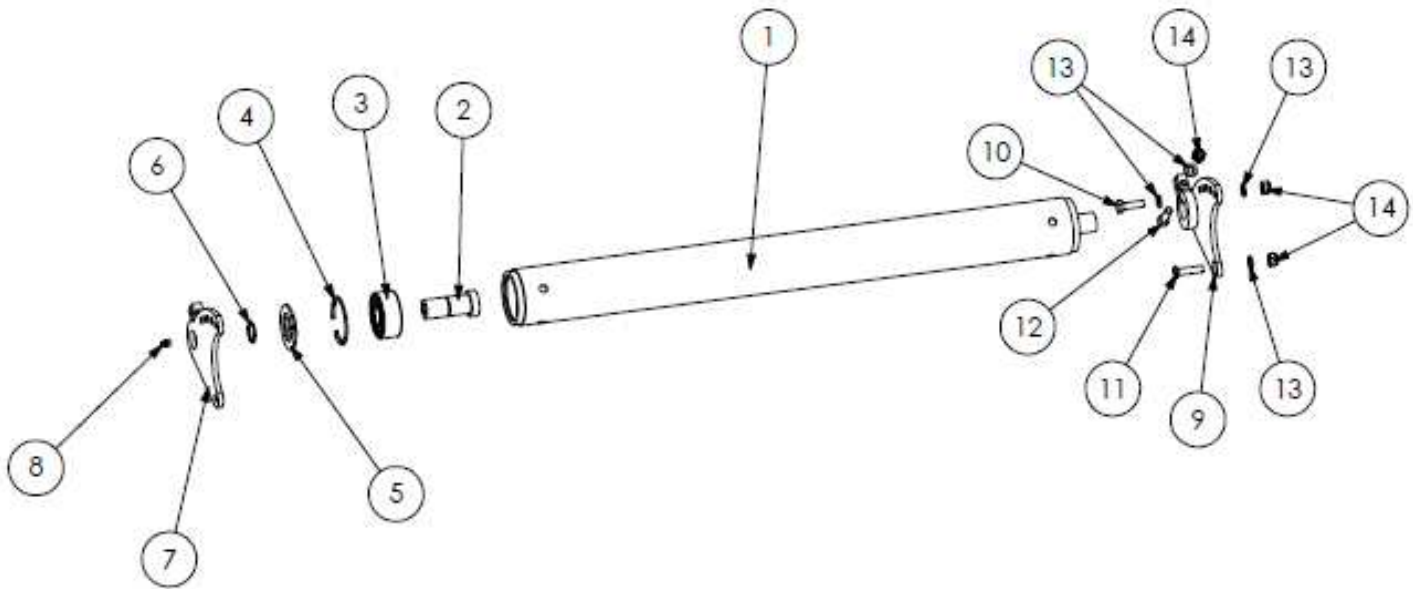
## BACK TO BACK ROTOR – S1800II.20



REF NO.	PART NO.	QTY.	DESCRIPTION
1	02.801.01	48	BUSH
2	02.807.01	24	SPACER
3	2770629	24	FLAIL BOLT
4	05.287.02	24	FLAIL NUT
5	180357	1	BACK TO BACK FLAIL ROTOR
6	7190166	48	BACK TO BACK FLAIL
7	7770741	24	SHACKLE
8	2770468	1	M8 GREASE NIPPLE
9	180449	1	DRIVE FLANGE
10	2770422	4	M10 X 40 SKT CSK SCREW
11	2770434	4	M10 FLAT WASHER
12	2770412	4	M10 NYLOCK
13	5771644	1	RUBBER SEAL

# Spearhead TWIGA 320/420

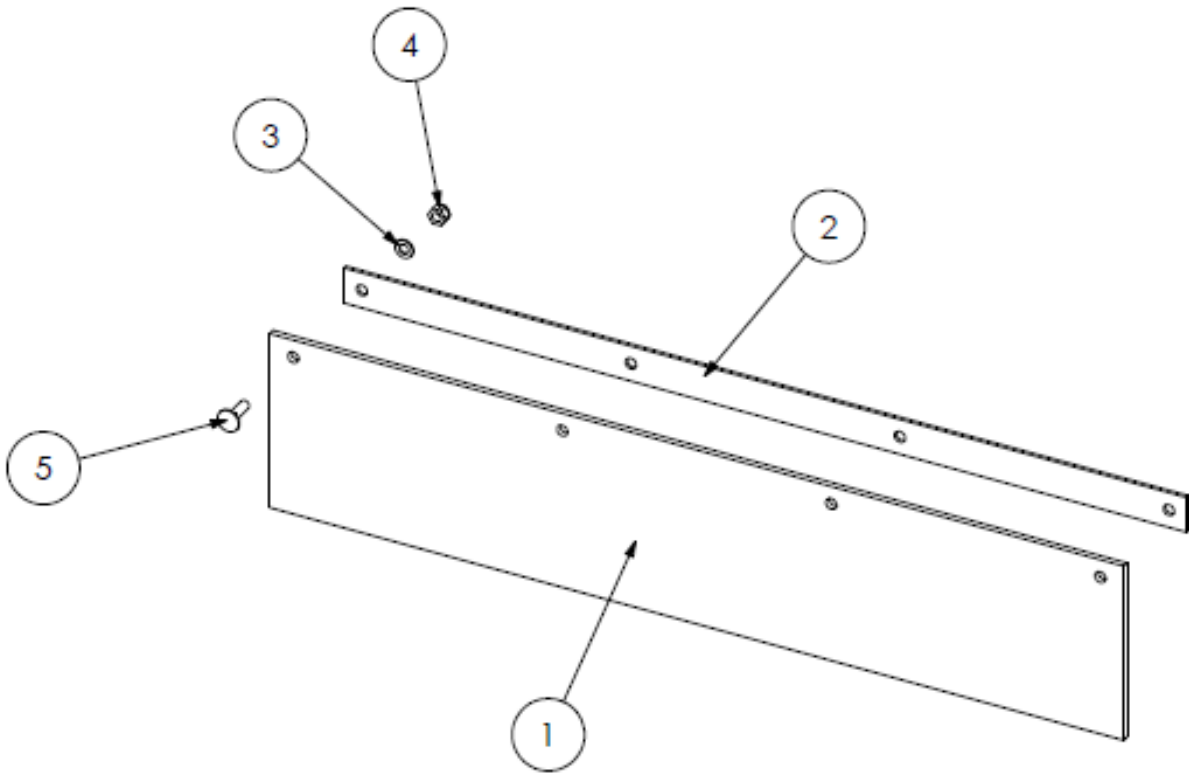
ROLLER - S1800II.15



REF NO.	PART NO.	QTY.	DESCRIPTION
1	180354	1	REAR ROLLER
2	180105	2	STUB SHAFT
3	4771604	2	BEARING
4	2771108	2	CIRCLIP
5	1777231A	2	HUB COVER
6	2777519	2	CIRCLIP
7	1778017	1	LH ROLLER PLATE
8	2770468	2	M8 ST GREASE NIPPLE
9	1778018	1	RH ROLLER PLATE
10	2770396	2	M10 X 35 BOLT
11	2770509	2	M10 X 40 SKT CSK SCREW
12	30.072.27	2	M10 X 35 SKT CAP BOLT
13	2770434	8	M10 FLAT WASHER
14	2770412	6	M10 NYLOCK

# Spearhead TWIGA 320/420

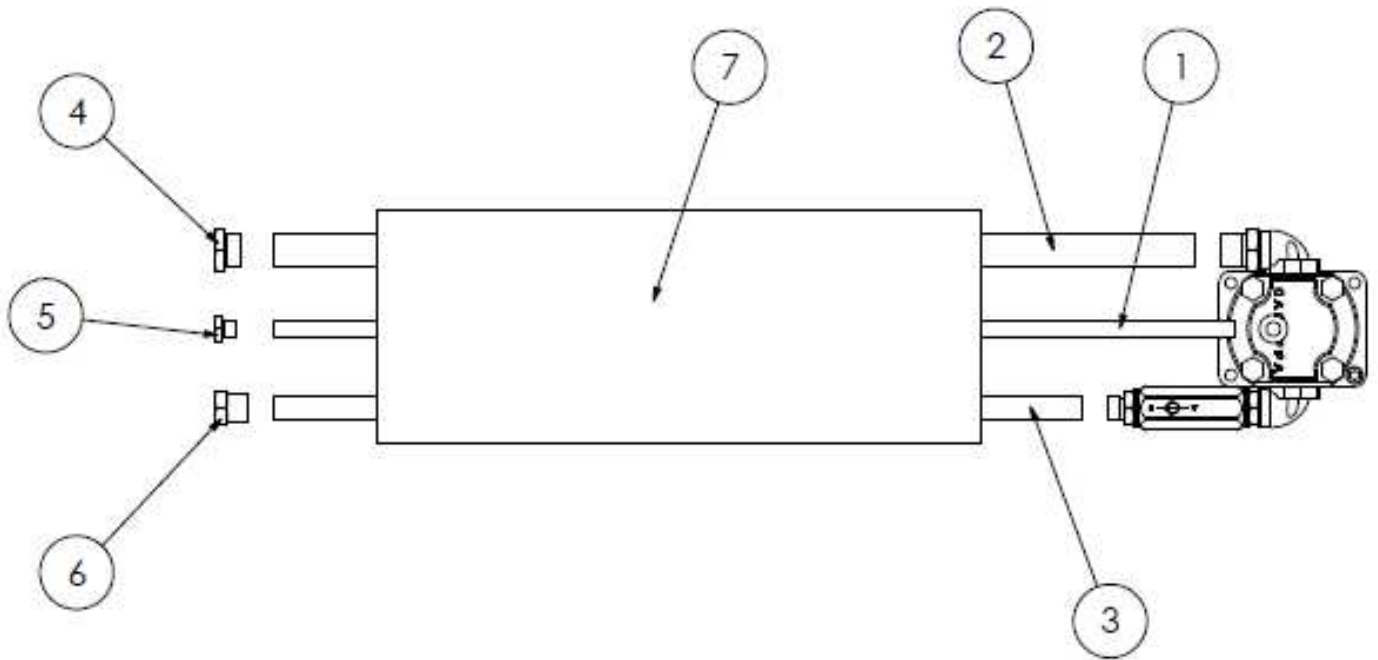
## REAR FLAP – S1800II.I6



REF NO.	PART NO.	QTY.	DESCRIPTION
1	8550128R	1	RUBBER FLAP
2	1778067	1	RETAINING STRIP
3	2770434	4	M10 FLAT WASHER
4	2770412	4	M10 NYLOCK
5	2770615	4	M10 X 35 COACH BOLT

# Spearhead TWIGA 320/420

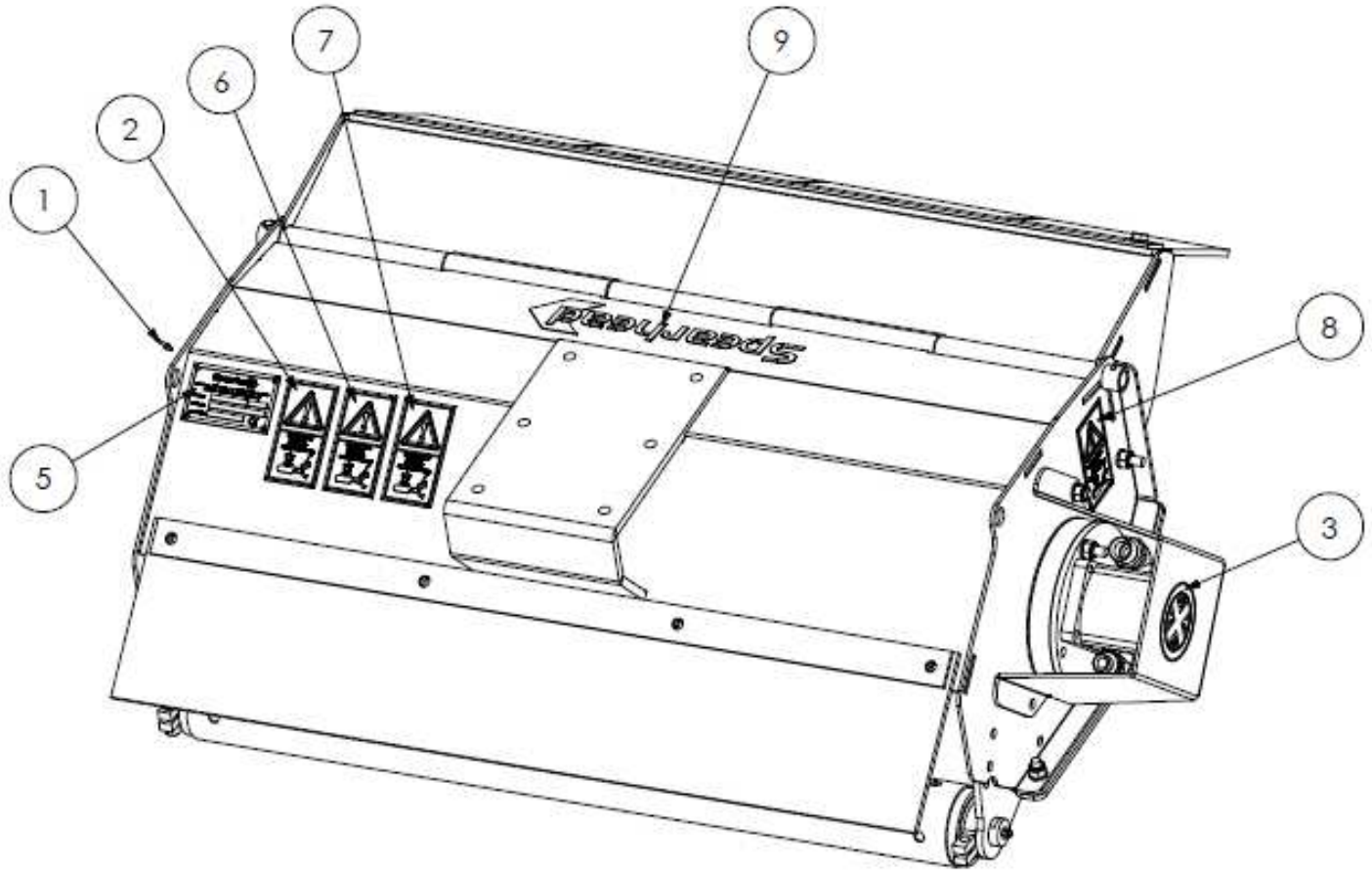
HEAD HOSES - S180011.26



REF NO.	PART NO.	QTY.	DESCRIPTION
-	3750321	1	HOSE KIT
1	3750320.06	1	1/2" HOSE - 1830mm
2	3750320.08	1	3/4" HOSE - 1830mm
3	3750320.11	1	1/4" HOSE - 2000mm
4	3460106	1	3/4" BLANKING PLUG
5	3460108	1	1/4" BLANKING PLUG
6	3700214	1	1/2" BLANKING PLUG
7	43542.05	1	HOSE SLEEVE: 1500 mm LRG
8	06.023.01	8	CABLE TIE - LRG

# Spearhead TWIGA 320/420

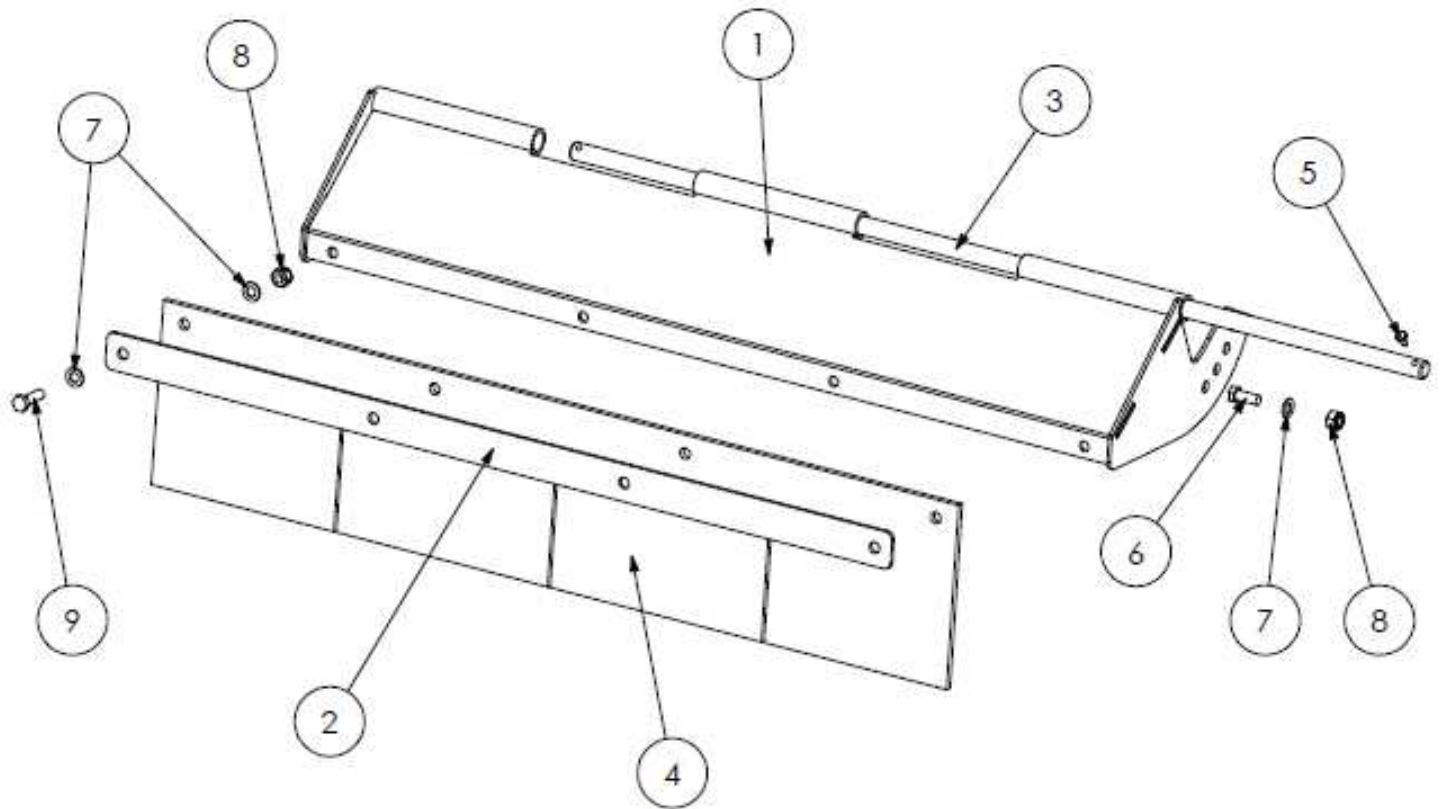
## HEAD DECALS - SI800II.27



REF NO.	PART NO.	QTY.	DESCRIPTION
1	7103230	4	RIVET
2	8770306	1	BOLTS TIGHT DECAL
3	8770307	1	MADE IN GB DECAL
4	8770322	4	GREASE POINT DECAL
5	8770330	1	SERIAL NUMBER PLATE
6	8770357	1	KEEP A SAFE DISTANCE DECAL
7	8770359	1	AVOID POWER LINES DECAL
8	8770360	2	DANGER MOWER BLADES DECAL
9	8770388	1	SPEARHEAD DECAL

# Spearhead TWIGA 320/420

FRONT HOOD – S180011.28

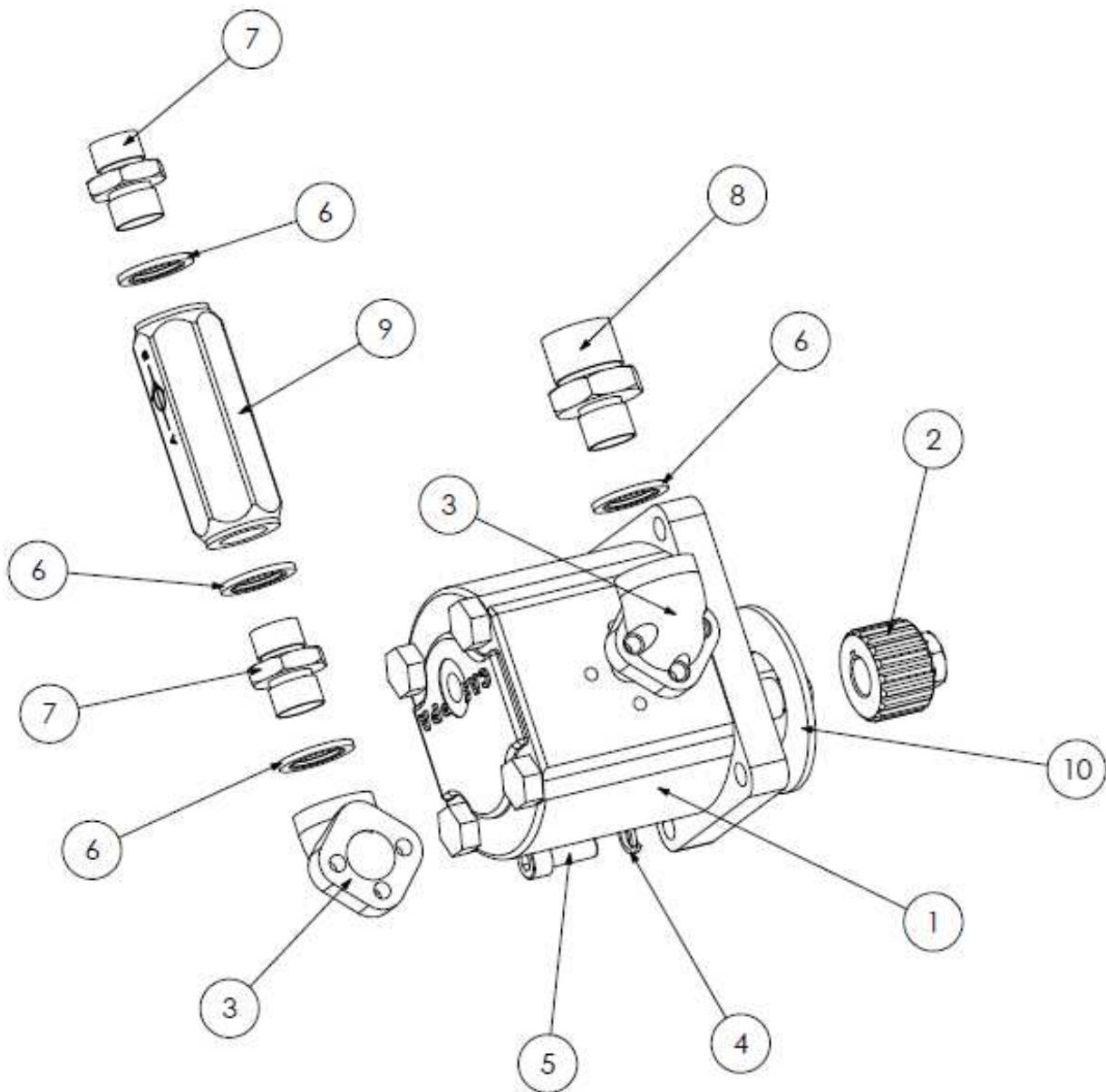


REF NO.	PART NO.	QTY.	DESCRIPTION
1	180351	1	FRONT HOOD
2	1778067	1	RETAINING STRIP
3	1778019	1	HINGE BAR
4	8550128	1	RUBBER FLAP
5	05.969.02	1	SCREW
6	2770407	2	M10 X 25 BOLT
7	2770434	10	M10 FLAT
8	2770412	6	M10 NYLOCK
9	2770396	4	M10 X 35 BOLT



# Spearhead TWIGA 320/420

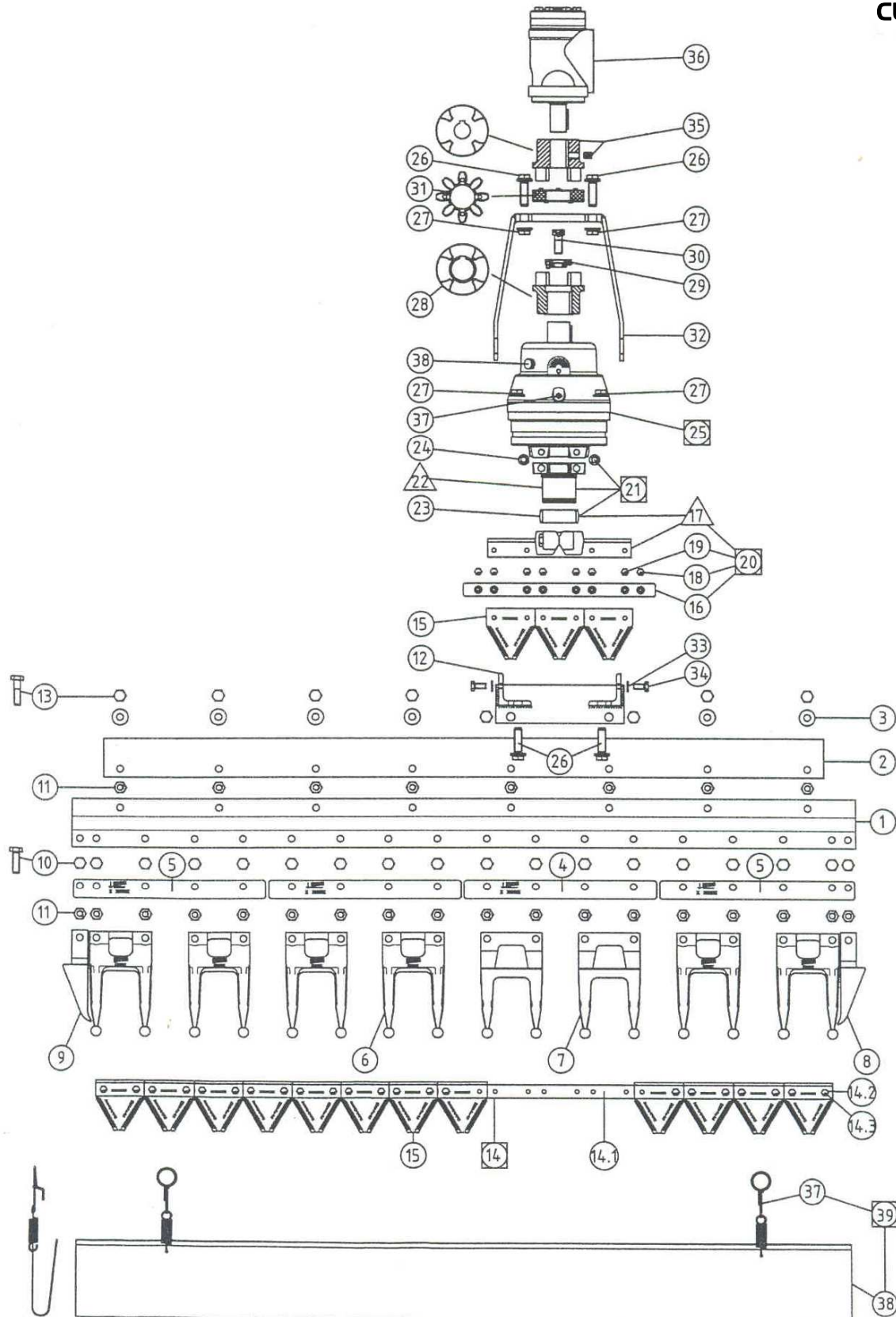
MOTOR - S1800II.30



REF NO.	PART NO.	QTY.	DESCRIPTION
1	5770036	1	MOTOR (Pg - 51)
2	3151077	1	SPLINED BUSH
3	3151057	2	1/2" PORT ELBOW
4	2770433	4	M8 SPRING WASHER
5	05.625.03	4	M8 X 25 SKT CAP SCREW
6	3260072	4	1/2" BONDED SEAL
7	3460301	2	1/2" M-M ADAPTOR
8	3360089	1	1/2" M - 3/4" M ADAPTOR
9	3610039	1	CHECK VALVE
10	1778026	1	SPIGGOT WASHER

# Spearhead TWIGA 320/420

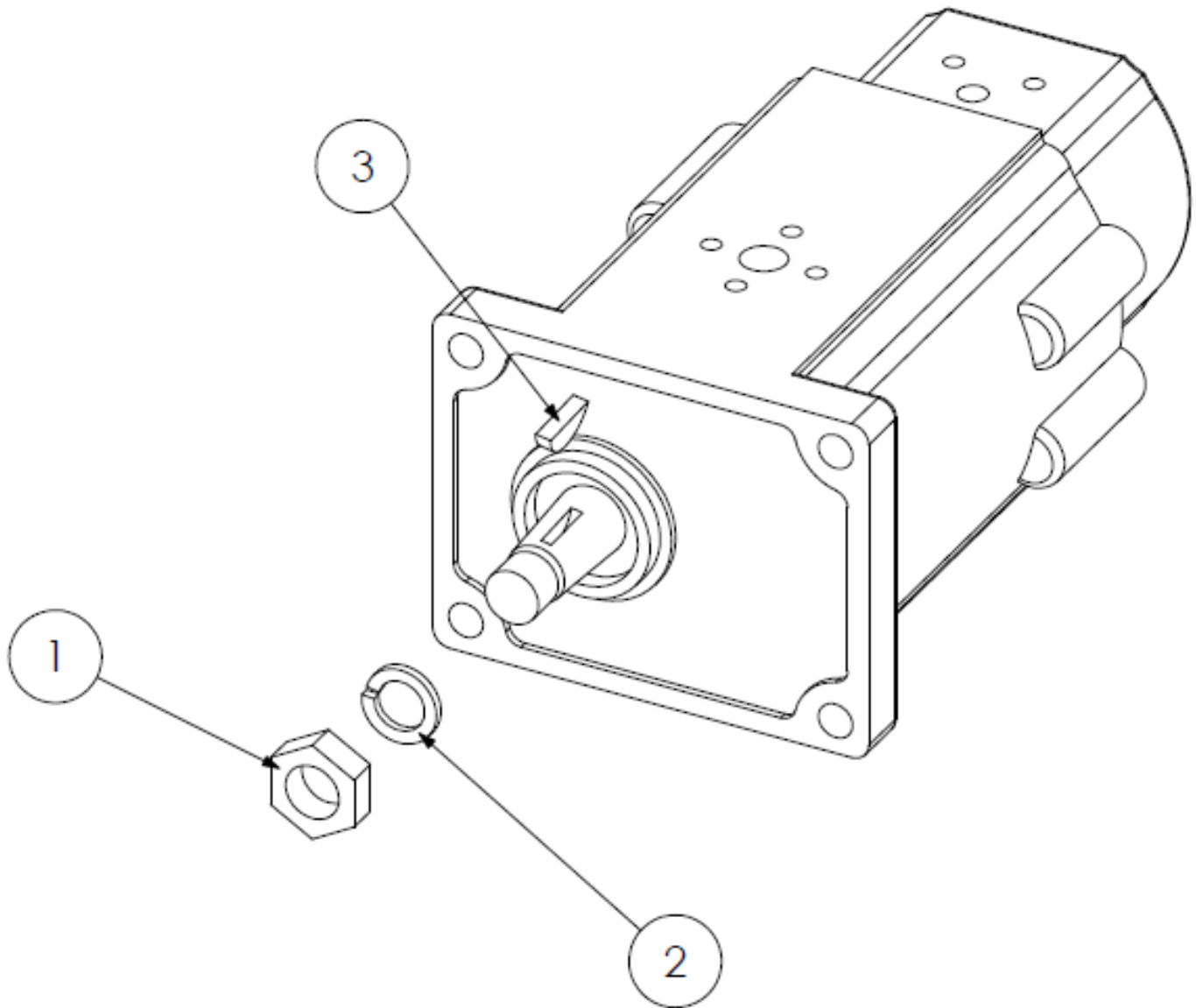
## CUTTER BAR



REF NO.	PART NO.	QTY.	DESCRIPTION
	5777400	-	CUTTER BAR
15	7770737	-	KNIFE SECTION
6	7770739	-	FINGER

# Spearhead TWIGA 320/420

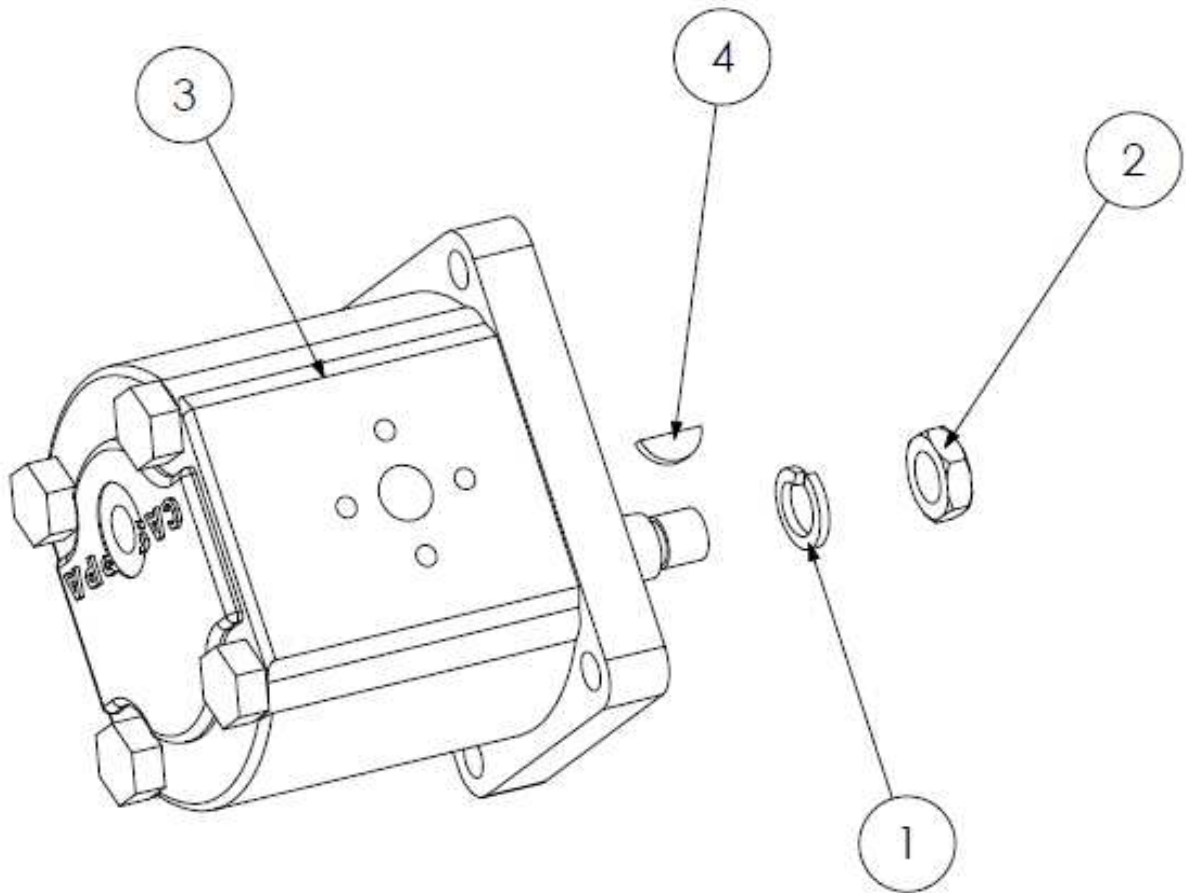
## 3151073 - TANDEM PUMP



REF NO.	PART NO.	QTY.	DESCRIPTION
	3151073	-	TANDEM PUMP
1	2770350	1	M14 HALF NUT
2	2770457	1	M14 SPRING WASHER
3	4772227	1	WOODRUFF KEY

# Spearhead TWIGA 320/420

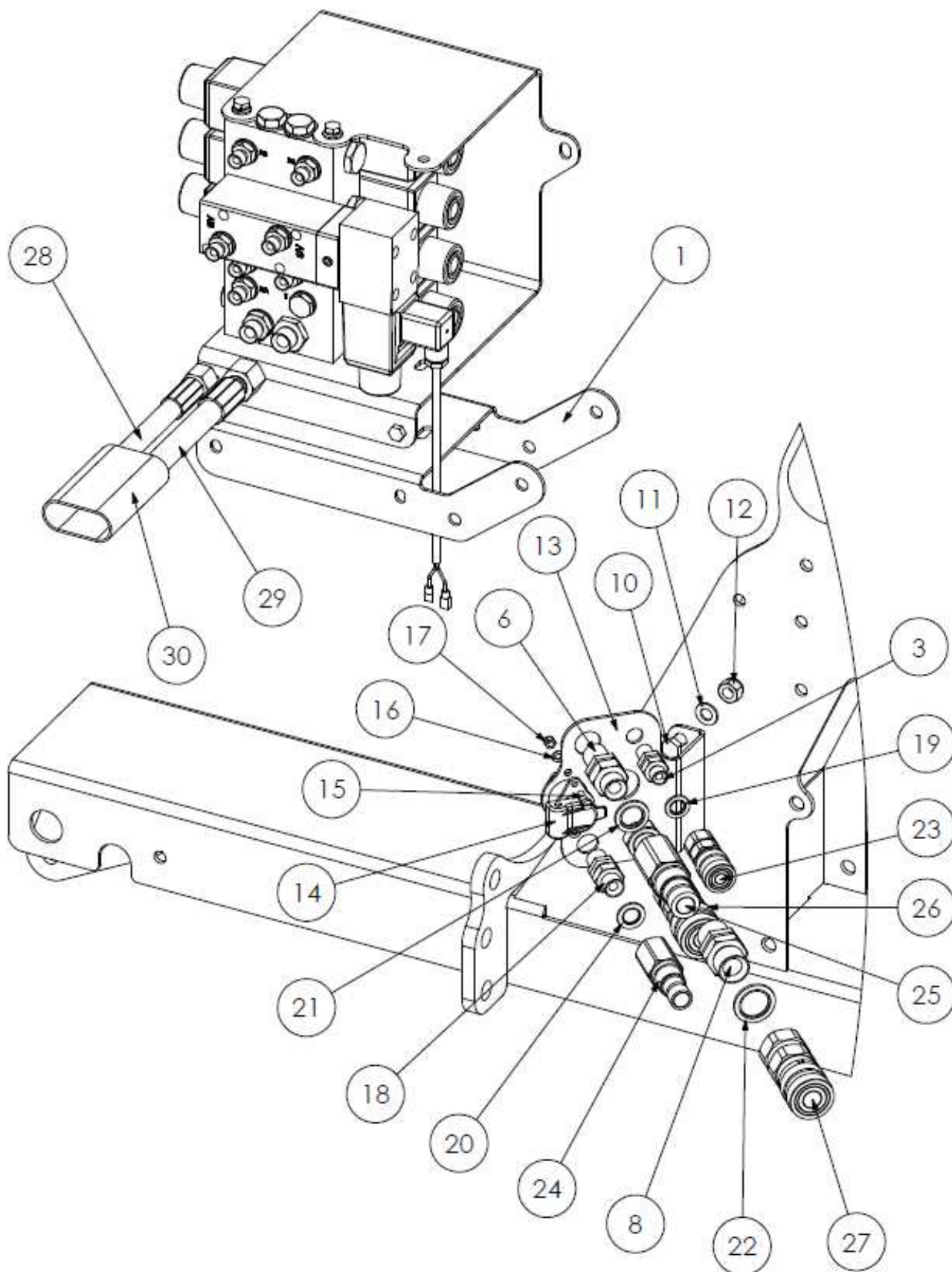
5770036 - MOTOR



REF NO.	PART NO.	QTY.	DESCRIPTION
	5770036	-	MOTOR
1	2770442	1	M12 SPRING WASHER
2	2770527	1	M12 HALF NUT
3	3151066	1	SEAL KIT
4	4772227	1	WOODRUFF KEY

# Spearhead TWIGA 320/420

## HXF CONTROL VALVE BRACKET AND BULKHEAD - S180030.41



# Spearhead TWIGA 320/420

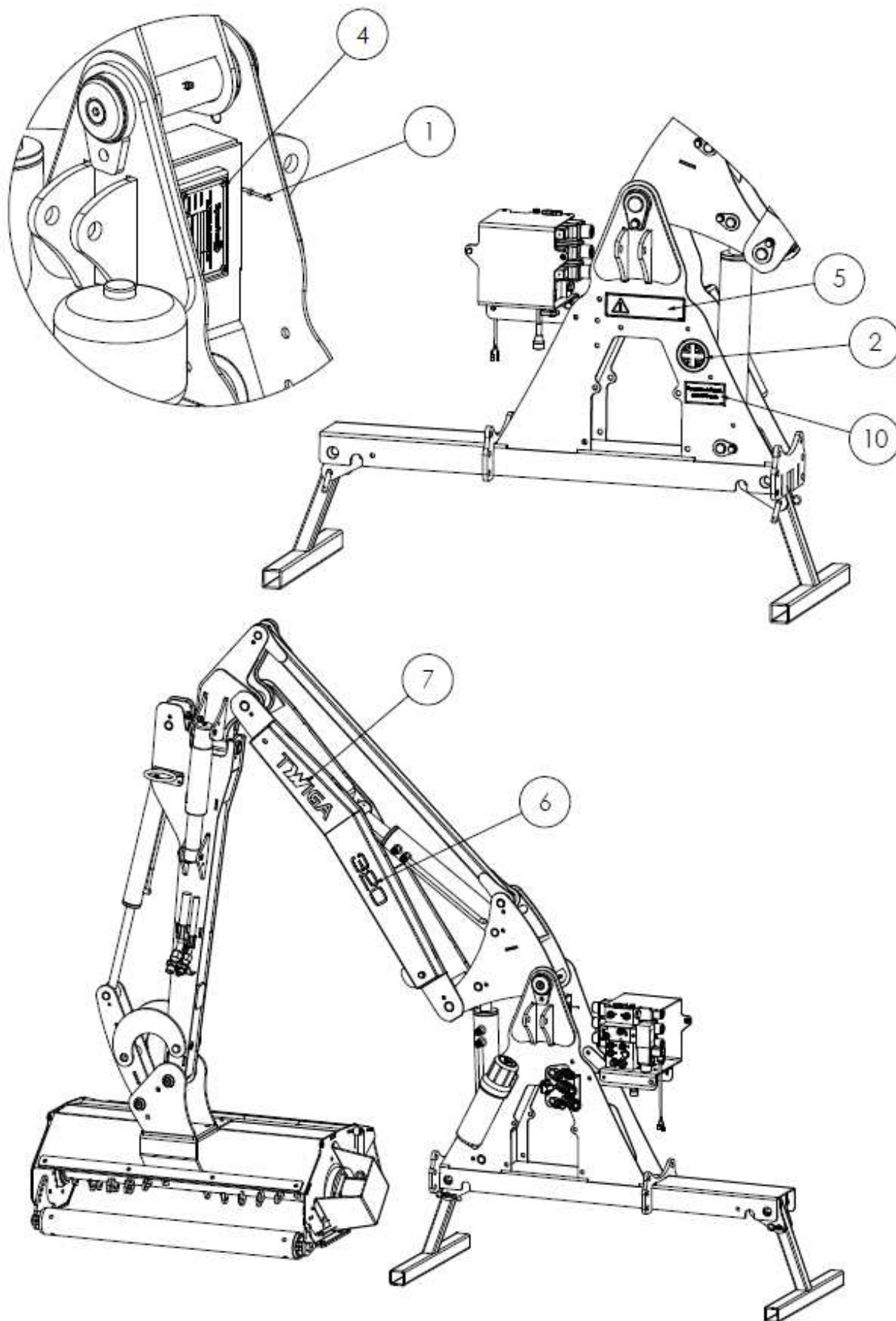
## HXF CONTROL VALVE BRACKET AND BULKHEAD - S180030.4I

REF NO.	PART NO.	QTY.	DESCRIPTION
1	181135	1	VALVE MOUNT BRACKET
3	3460122	1	1/4" BULKHEAD ADAPTOR
6	3700187	2	1/2" BULKHEAD ADAPTOR
8	3460130	1	3/4" BULKHEAD ADAPTOR
10	2770407	6	M10 X 25 BOLT
11	2770434	6	M10 FLAT WASHER
12	2770412	6	M10 NYLOCK
13	181260	1	BULKHEAD
14	8770803	1	ROTOR POWER LEAD
15	2770580	2	M5 X 16 SCREW
16	2770391	2	M5 FLAT WASHER
17	2770394	2	M5 NYLOCK
18	3700228	1	3/8" BULKHEAD ADAPTOR
19	3260070	1	1/4" BONDED SEAL
20	3260071	1	3/8" BONDED SEAL
21	3260072	2	1/2" BONDED SEAL
22	3260073	1	3/4" BONDED SEAL
23	3151112	1	1/4" FM QUICK RELEASE COUPLING
24	3151107	1	3/8" M QUICK RELEASE COUPLING
25	3151109	1	1/2" M QUICK RELEASE COUPLING
26	3151110	1	1/2" FM QUICK RELEASE COUPLING
27	3151122	1	3/4" FM QUICK RELEASE COUPLING
28	3751321.04	1	3/8" HOSE - 1000mm
29	3751321.05	1	1/2" HOSE - 1000mm
30	43543.14	1	HOSE SLEEVE: 900mm SM

# Spearhead TWIGA 320/420

320 HXF DECALS – S180030.42

420 HXF DECALS – S180030.43



# Spearhead TWIGA 320/420

---

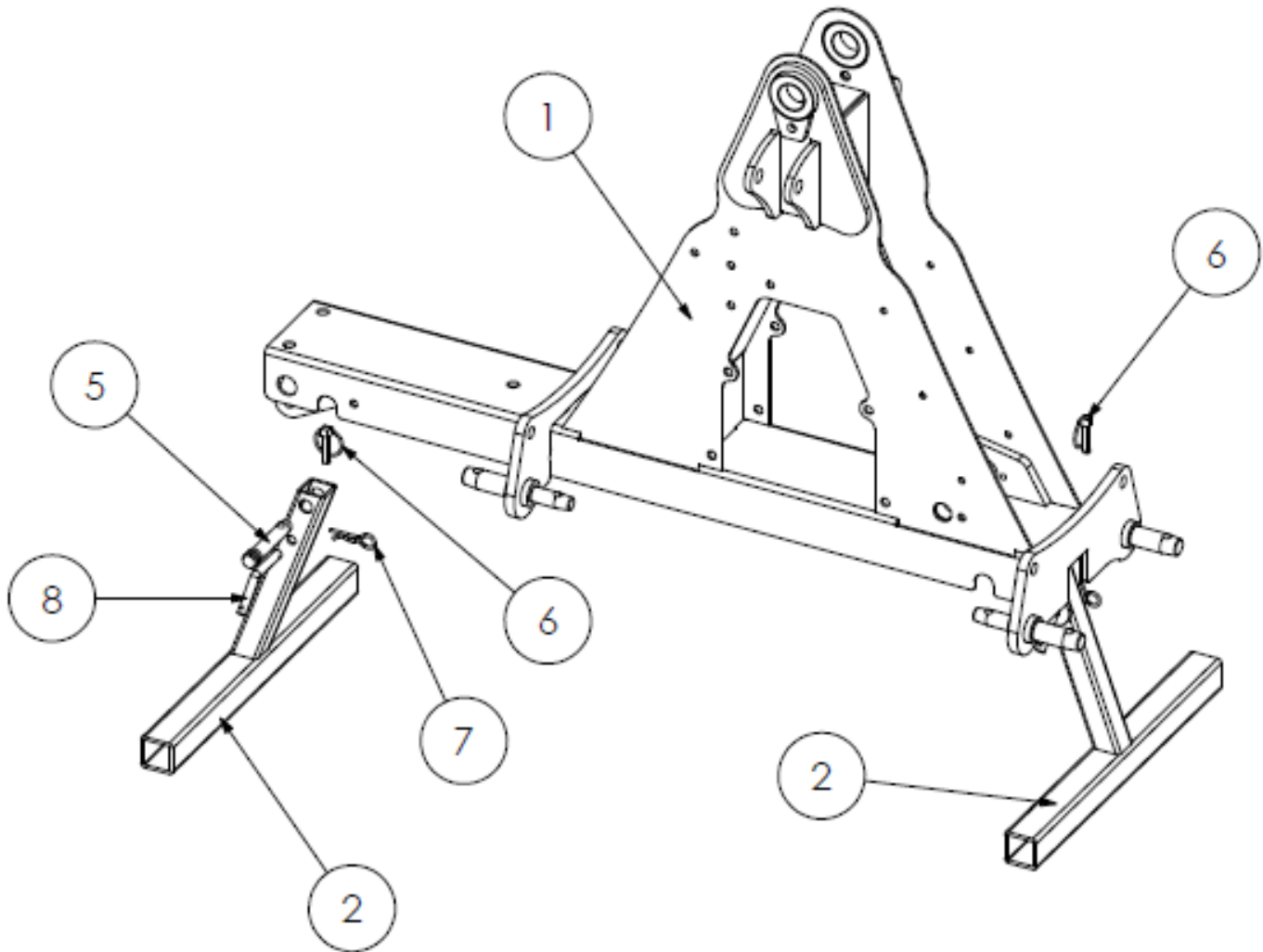
320 HXF DECALS – S180030.42  
420 HXF DECALS – S180030.43

REF NO.	PART NO.	QTY.	DESCRIPTION
1	7103230	4	RIVET
2	8770307	1	MADE IN GB DECAL
3	8770322	18	GREASE POINT DECAL
4	8770330	1	SERIAL NUMBER PLATE
5	8770346	1	CHECK CHAINS DECAL
6	8770446	1	420 DECAL
6	8770445	1	320 DECAL
7	8770449	1	TWIGA DECAL
8	8999059	1	HANDBOOK
9	8999060	1	PARTS MANUAL
10	8770305	-	540RPM DECAL
10	8770323	-	1000RPM DECAL



# Spearhead TWIGA 320/420

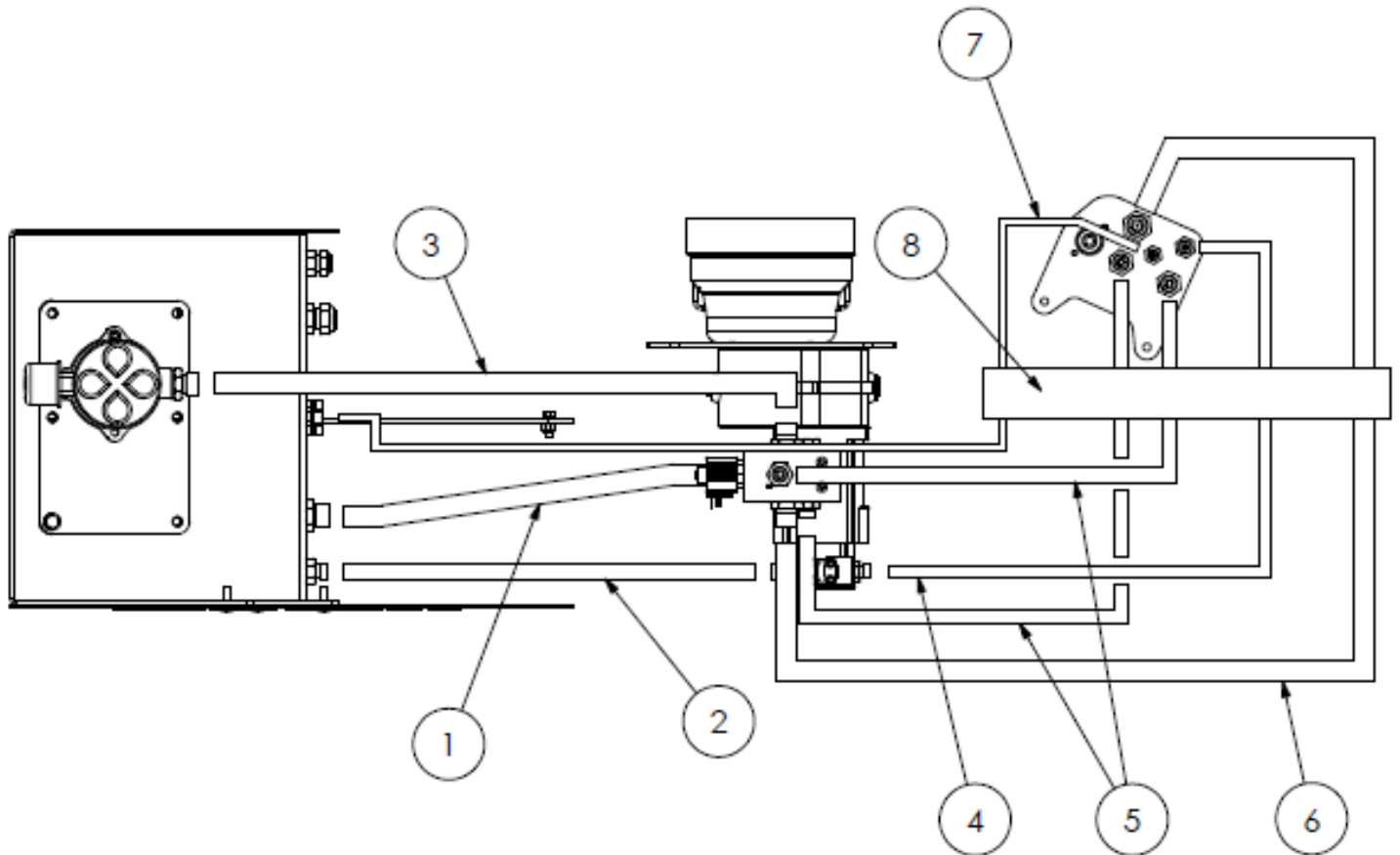
## PUMP STATION A FRAME - S180030.44



REF NO.	PART NO.	QTY.	DESCRIPTION
1	180210	1	A FRAME
2	41203.05	2	LEG
5	T8117	2	PIN
6	00.372.01	2	LYNCH PIN - 11mm
7	6310194	2	R CLIP
8	1090051	2	PIN

# Spearhead TWIGA 320/420

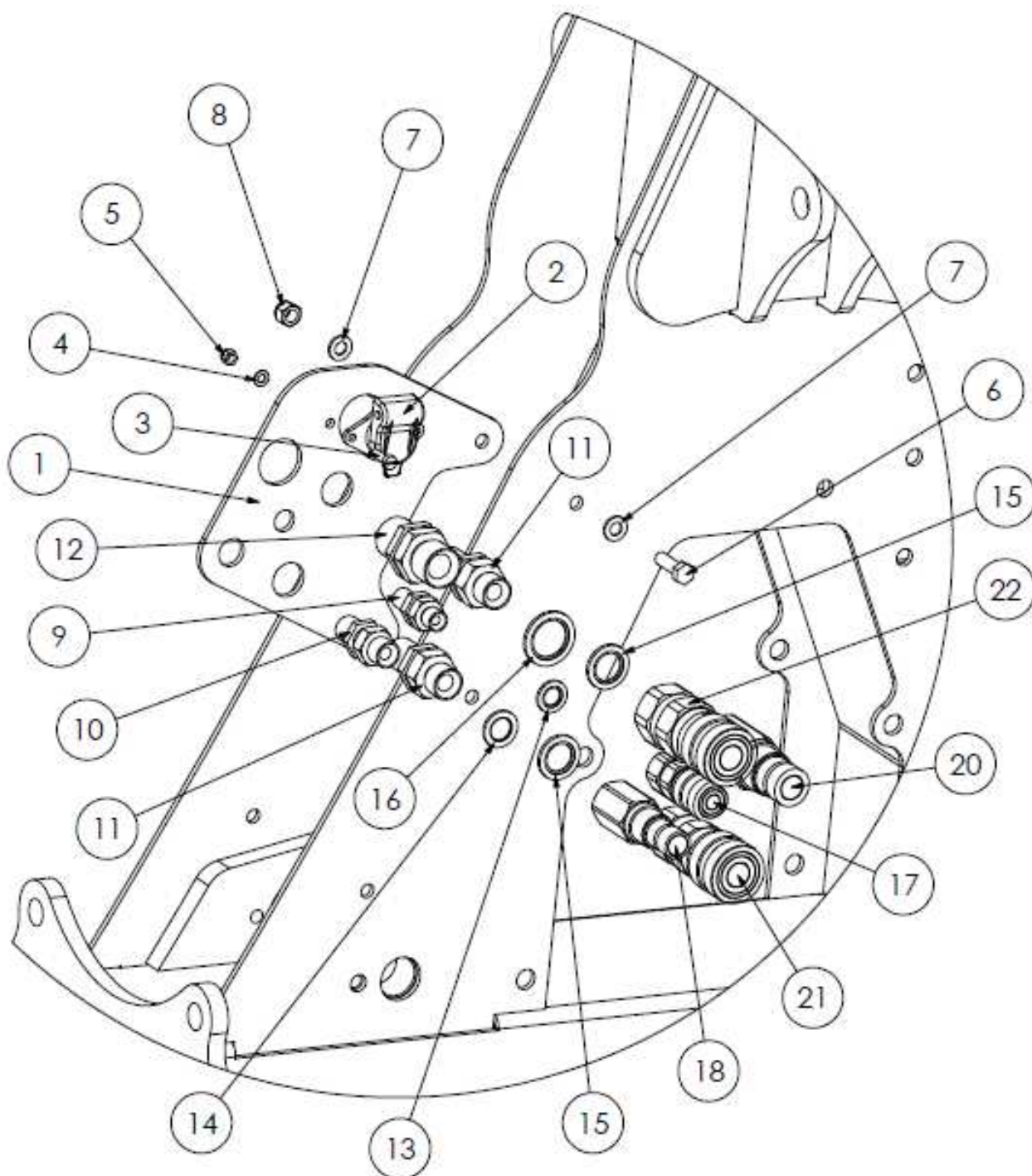
## PUMP STATION HOSE KIT - S180030.47



REF NO.	PART NO.	QTY.	DESCRIPTION
	3751069	-	HOSE KIT
1	3751037.03	1	3/4" HOSE - 485mm
2	3751037.04	1	1/2" HOSE - 480mm
3	3751037.05	1	3/4" HOSE - 790mm
4	3751069.01	1	3/8" HOSE - 520mm
5	3751069.02	2	1/2" HOSE - 530mm
6	3751069.03	1	3/4" HOSE - 510mm
7	3751069.04	1	1/4" HOSE - 1250mm
8	43542.11	1	HOSE SLEEVE: 700mm LRG
9	06.023.01	4	LARGE CABLE TIE

# Spearhead TWIGA 320/420

## PUMP STATION BULKHEAD - S180030.45



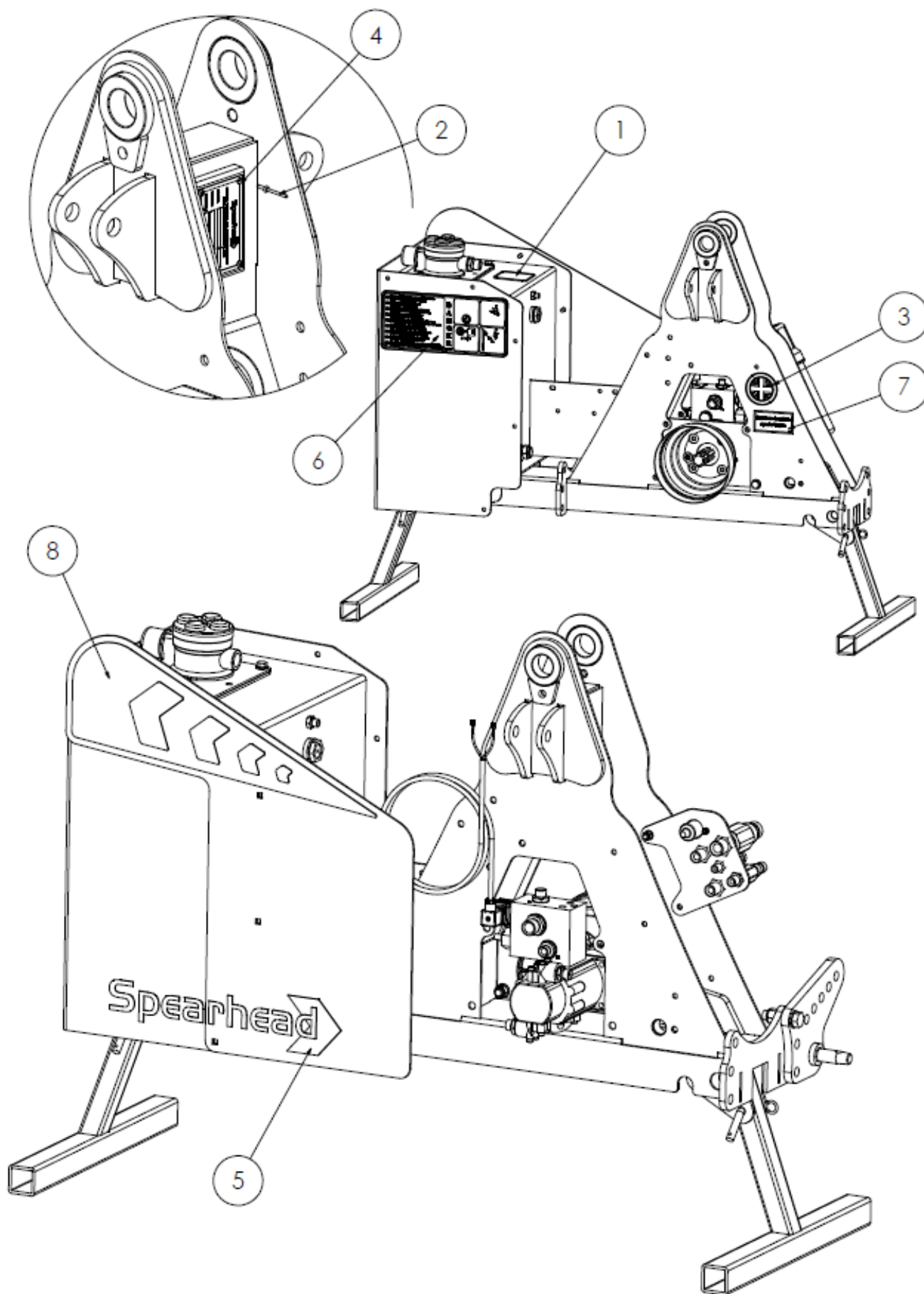
# Spearhead TWIGA 320/420

## PUMP STATION BULKHEAD - S180030.45

REF NO.	PART NO.	QTY.	DESCRIPTION
1	181249	1	BULKHEAD PLATE
2	8400173	1	3 PIN SOCKET
3	2770580	2	M5 X 16 SCREW
4	2770391	2	M5 FLAT WASHER
5	2770394	2	M5 NYLOCK
6	2770415	2	M8 X 25 BOLT
7	2770432	4	M8 FLAT WASHER
8	2770416	2	M8 NYLOCK
9	3460122	1	1/4" BULKHEAD ADAPTOR
10	3700228	1	3/8" BULKHEAD ADAPTOR
11	3700187	2	1/2" BULKHEAD ADAPTOR
12	3460130	1	3/4" BULKHEAD ADAPTOR
13	3260070	1	1/4" BONDED SEAL
14	3260071	1	3/8" BONDED SEAL
15	3260072	2	1/2" BONDED SEAL
16	3260073	1	3/4" BONDED SEAL
17	3151112	1	1/4" FM QUICK RELEASE COUPLING
18	3151107	1	3/8" M QUICK RELEASE COUPLING
19	3151109	1	1/2" M QUICK RELEASE COUPLING
20	3151110	1	1/2" FM QUICK RELEASE COUPLING
21	3151122	1	3/4" FM QUICK RELEASE COUPLING
22	03.231.01	160	EDGING STRIP

# Spearhead TWIGA 320/420

PUMP STATION DECALS - S180030.46



# Spearhead TWIGA 320/420

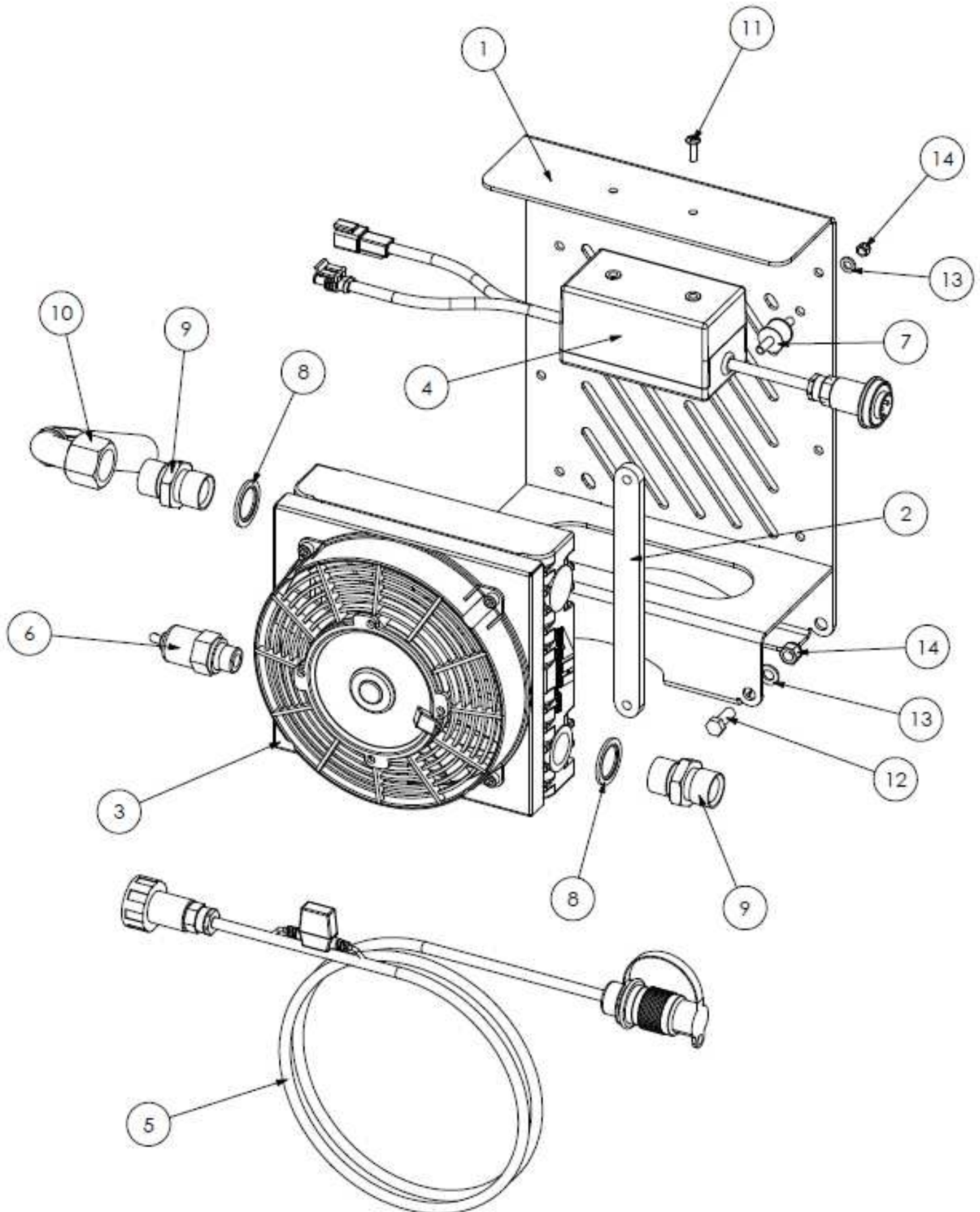
---

PUMP STATION DECALS - S180030.46

REF NO.	PART NO.	QTY.	DESCRIPTION
1	8770550	1	FILTER CHANGE DECAL
2	7103230	4	RIVET
3	8770307	1	MADE IN GB DECAL
4	8770330	1	SERIAL NUMBER PLATE
5	8770374	1	SPEARHEAD DECAL
6	8770470	1	SAFETY DECAL
7	8770305	-	540RPM DECAL
7	8770323	-	1000RPM DECAL
8	8770447	-	LH TANK DECAL
8	8770448	-	RH TANK DECAL

# Spearhead TWIGA 320/420

OIL COOLER - S180030.39



# Spearhead TWIGA 320/420

---

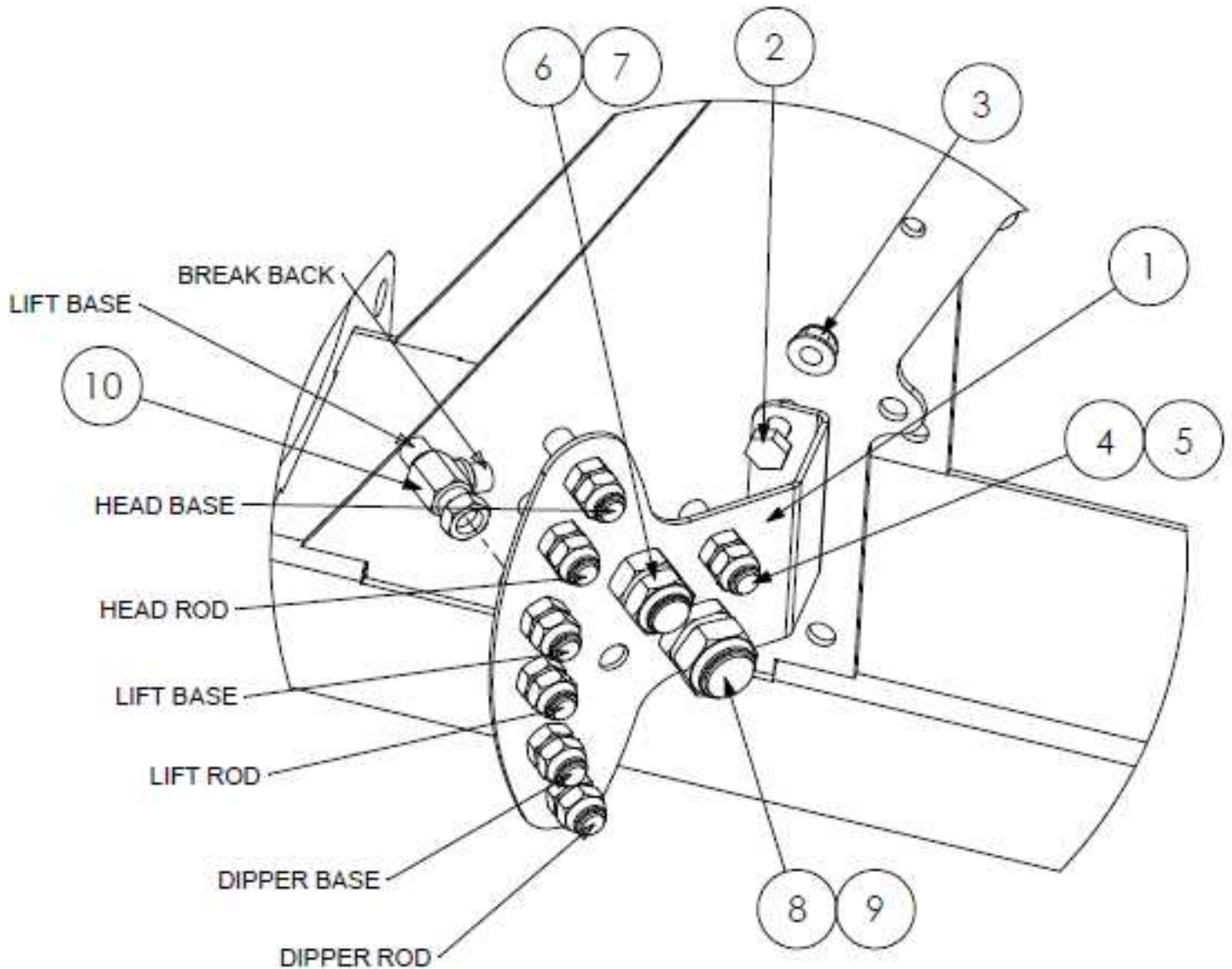
OIL COOLER - S180030.39

REF NO.	PART NO.	QTY.	DESCRIPTION
1	181369	1	OIL COOLER BRACKET
2	181370	2	SPACER PLATE
3	47313.05	1	OIL COOLER
4	8770711	1	CONTROL BOX
5	8770712	1	POWER LEAD
6	47313.03	1	THERMOSTAT
7	8770602	4	RUBBER MOUNT
8	3260073	2	3/4" BONDED SEAL
9	3360090	2	3/4" M-M ADAPTOR
10	3760101	1	HOSE
11	2770580	2	M5 X 16 SCREW
12	2770402	2	M8 X 20 BOLT
13	2770432	6	M8 FLAT WASHER
14	2770416	6	M8 NYLOCK NUT
15	30.058.66	5	CABLE TIE - SM



# Spearhead TWIGA 320/420

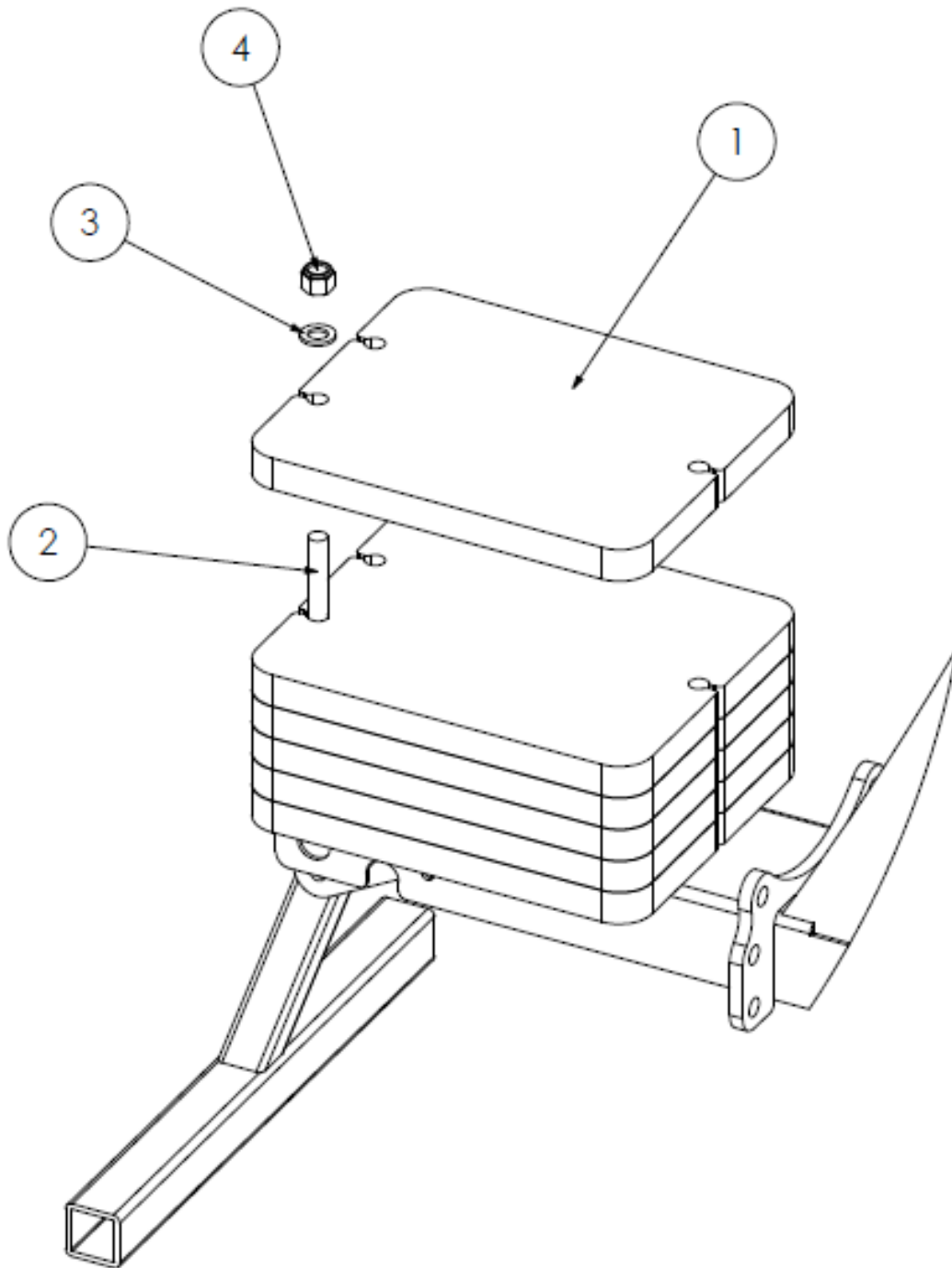
HXF BULKHEAD - S180030.53



REF NO.	PART NO.	QTY.	DESCRIPTION
1	181279	1	BULKHEAD
2	2770407	2	M10 X 25 BOLT
3	05.287.21	2	M10 FLANGE BOLT
4	3460122	8	1/4" BULKHEAD
5	3460104	8	1/4" BLANKING CAP
6	3700187	1	1/2" BULKHEAD
7	8582054	1	1/2" BLANKING CAP
8	3460130	1	3/4" BULKHEAD
9	3460117	1	3/4" BLANKING CAP
10	3460300	1	1/4" TEE

# Spearhead TWIGA 320/420

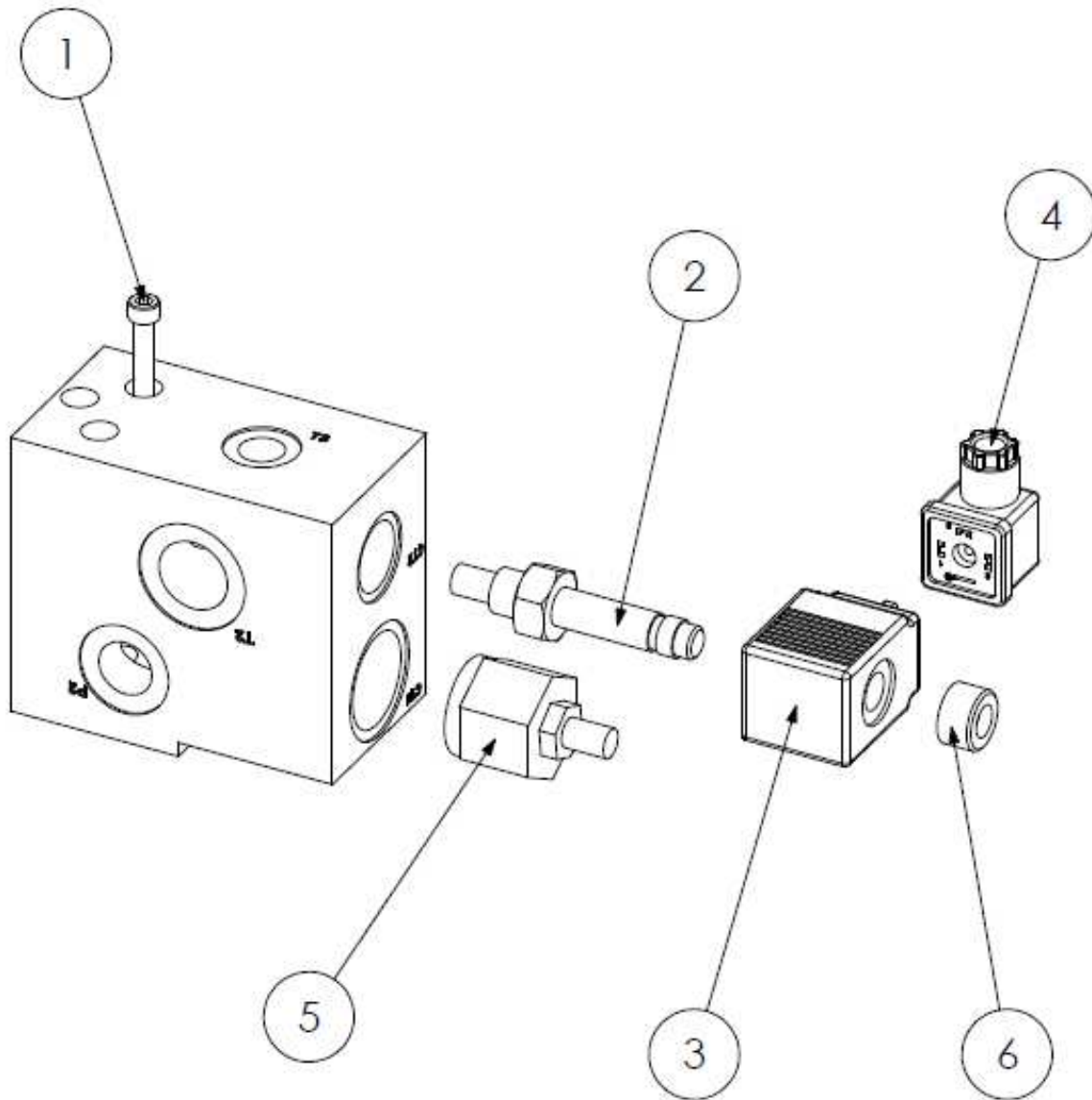
BALLAST WEIGHTS - S180030.52



REF NO.	PART NO.	QTY.	DESCRIPTION
1	181371	6	WEIGHT BLOCK
2	2770627	3	M16 X 230 BOLT
3	2770454	3	M16 FLAT WASHER
4	2770447	3	M16 NYLOCK

# Spearhead TWIGA 320/420

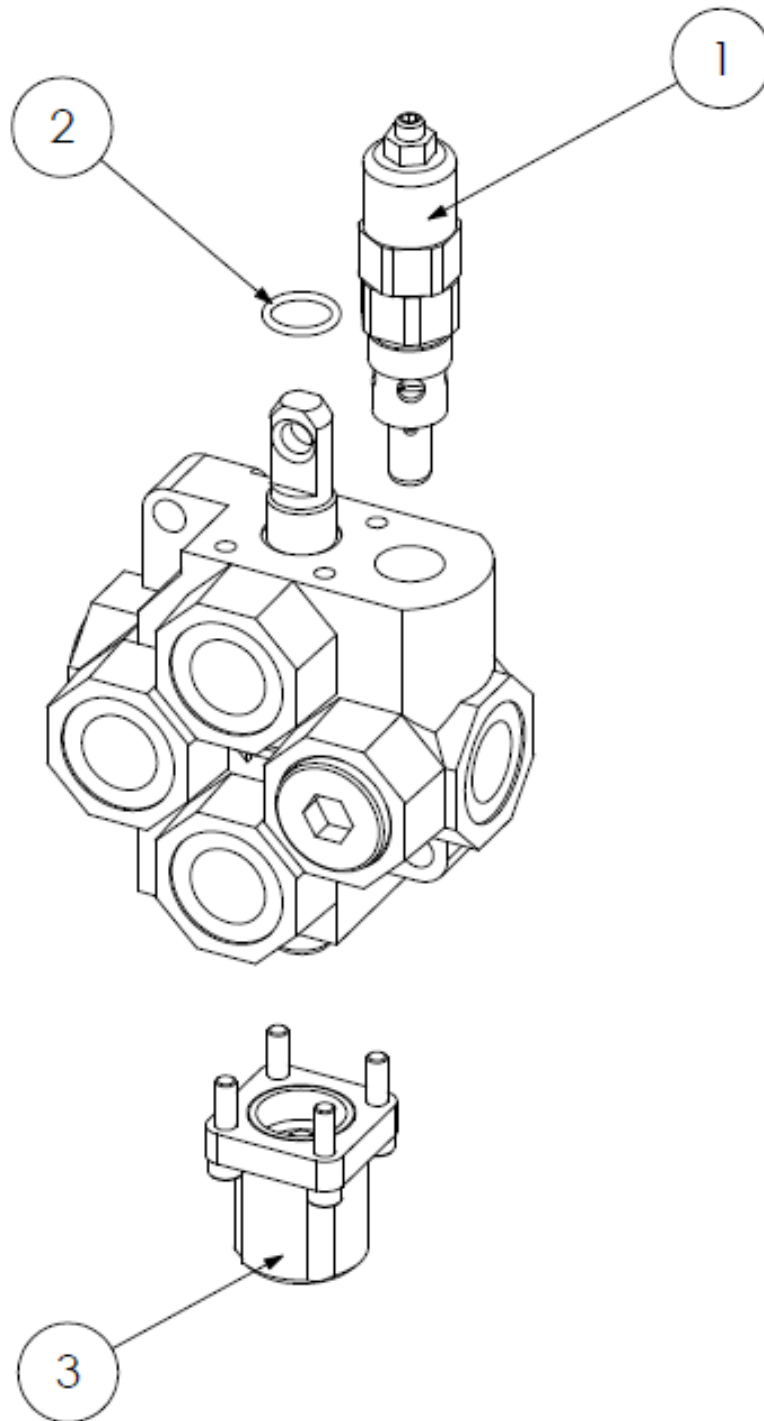
## ELECTRIC ROTOR VALVE - 3610059



REF NO.	PART NO.	QTY.	DESCRIPTION
	3610059	-	ROTOR VALVE
1	2770643	3	M6 X 60 SKT CAP SCREW
2	3600142A	1	SINGLE POPPET VALVE
3	3610030A	1	COIL
4	3610048	1	CONNECTOR
5	3610062	1	RELIEF VALVE
6	N/A	1	NUT

# Spearhead TWIGA 320/420

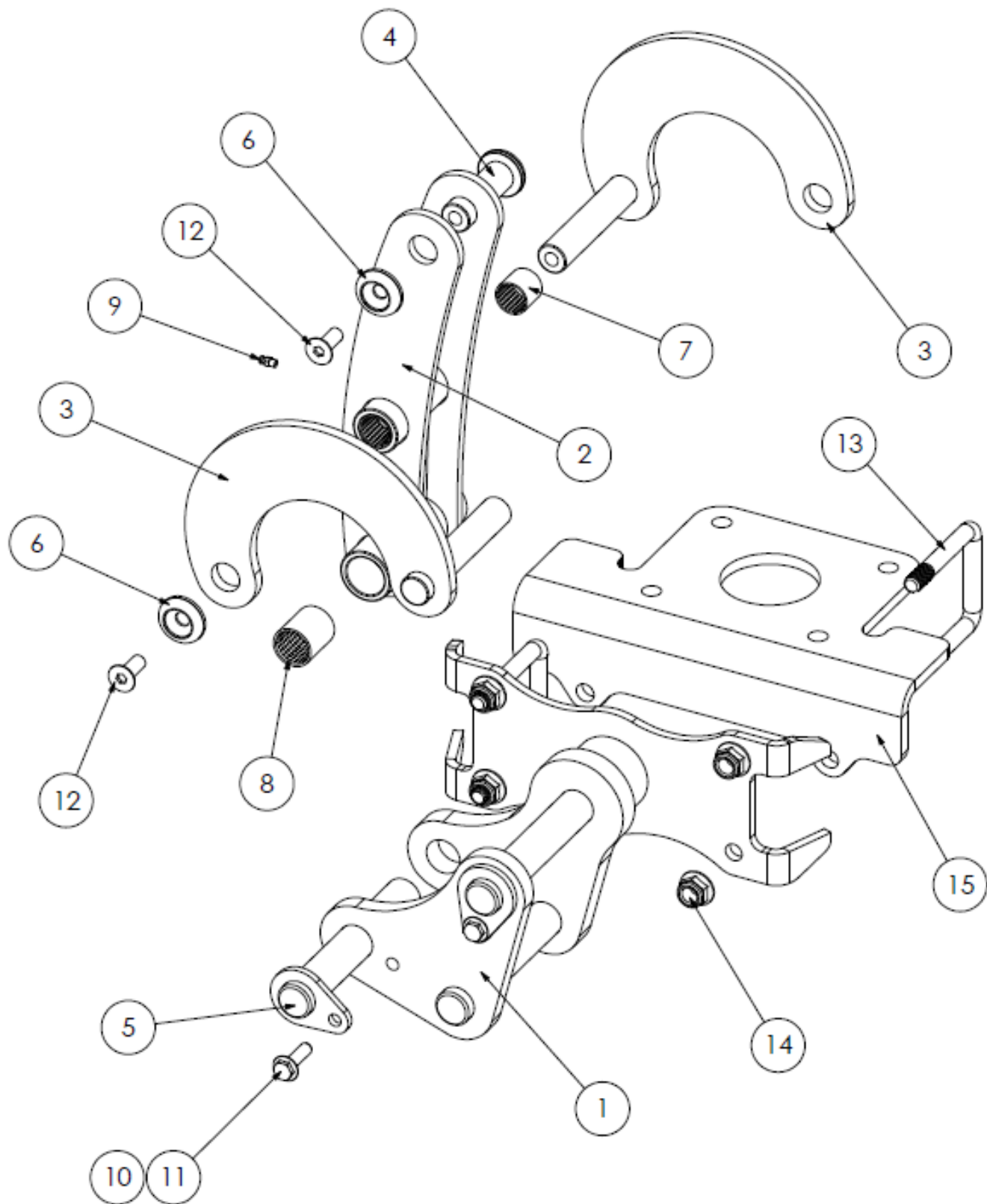
CABLE ROTOR VALVE - 48033.02



REF NO.	PART NO.	QTY.	DESCRIPTION
	48033.02	1	VALVE
1	3600080	-	VALVE CARTRIDGE
2	3600101S	-	O RING
3	3610081A	-	SPOOL DETENT KIT

# Spearhead TWIGA 320/420

LH HEAD CROWD BRACKET - S180030.50



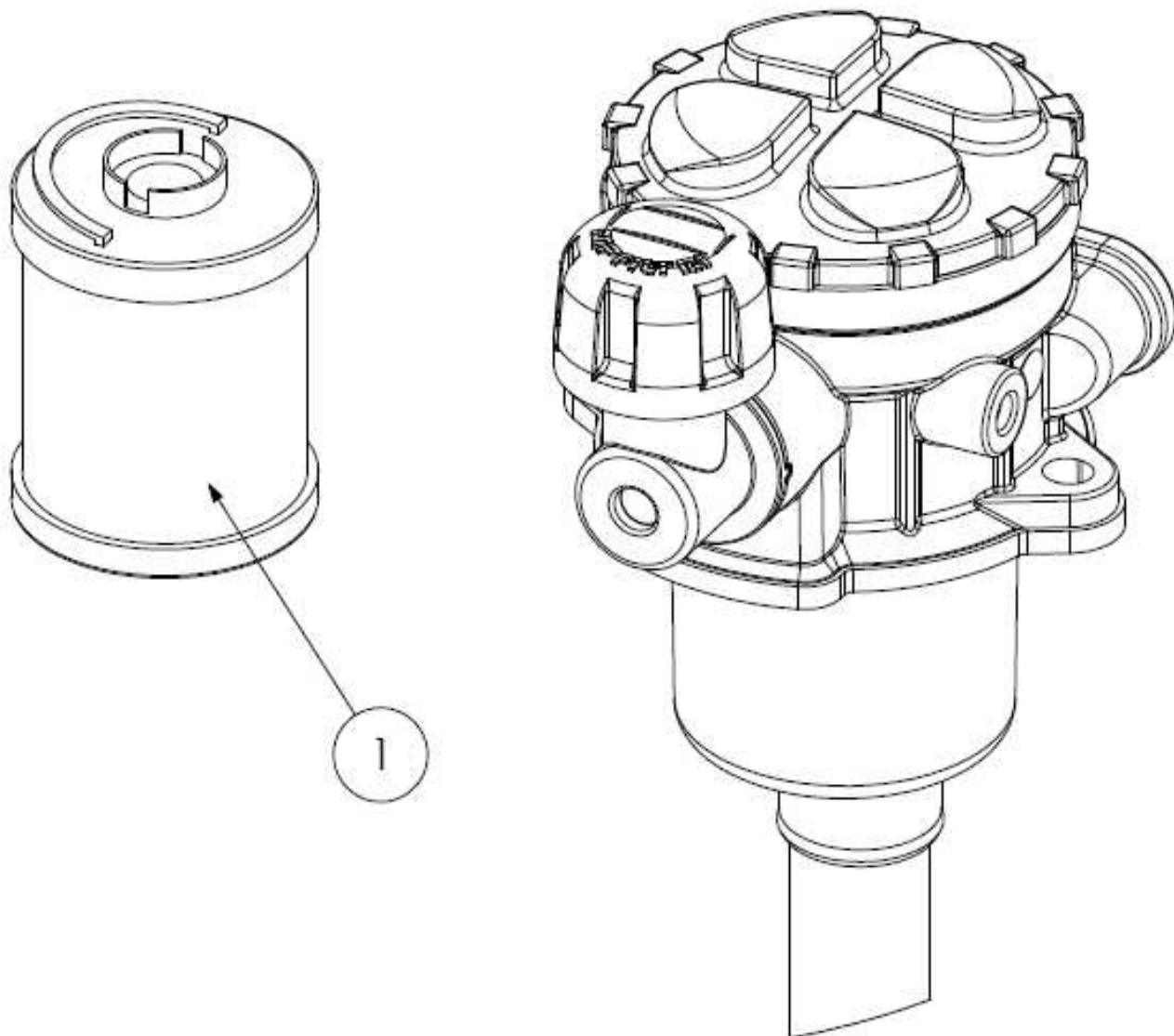
# Spearhead TWIGA 320/420

LH HEAD CROWD BRACKET - S180030.50

REF NO.	PART NO.	QTY.	DESCRIPTION
1	181355	1	HEAD CROWD BRACKET
2	181356	1	HEAD CROWD LINK
3	181357	2	CURVED LINK
4	1778039	1	PIN: 25.4 X 76 mm
5	1782126	2	PEAR PIN: 30 X 176 mm
6	1777209	4	RETAINING WASHER - 40 OD
7	4600417	2	BUSH
8	42654.08	2	BUSH
9	2770467	2	M6 ST GREASE NIPPLE
10	2770671	2	M10 X 25 FLANGE BOLT
11	05.287.21	2	M10 FLANGE NYLOCK
12	2770506	4	M12 X 30 SKT CSK SCREW
13	2770675	2	M14 U BOLT
14	05.287.23	4	M14 FLANGE NYLOCK
15	181874	1	HEAD MOUNT BRACKET

# Spearhead TWIGA 320/420

## RETURNS FILTER - 3900083



REF NO.	PART NO.	QTY.	DESCRIPTION
	3900083	-	RETURNS FILTER
1	3900084	1	ELEMENT





Spearhead Machinery Ltd  
Green View  
Salford Priors  
Evesham  
Worcestershire  
WR11 8SW  
Tel: 01789 491860  
Fax: 01789 778683  
[www.spearheadmachinery.com](http://www.spearheadmachinery.com)  
[enquiries@spearheadmachinery.com](mailto:enquiries@spearheadmachinery.com)