

Spearhead

TWIGA Reach Mower 555/600/655T/700T 555FR/600FR



Edition 2.5 – June 2014
Part No. 8999057

PARTS MANUAL

Spearhead TWIGA

Contents

Ordering Your Parts.....	3
A Frame.....	4
Tank.....	6
Slew Post.....	8
Lift Frame.....	10
Tank Lid.....	12
Rear Panel.....	13
Stabiliser Brackets.....	14
Oil Cooler.....	16
Main Arm – 555/600/655T/700T.....	18
Dipper Arm – 555/600.....	20
Outer Dipper Arm - 655T/700T.....	22
Inner Dipper Arm - 655T/700T.....	24
Forward Reach Knuckle.....	26
Dipper arm – 555FR/600FR.....	27
Tie Bar – 555/600/655T/700T.....	28
Head Mount Bracket.....	29
LH Head Crowd Bracket.....	30
RH Head Crowd Bracket.....	32
Hydraulic Drive.....	34
Auto Reset Valve Assembly.....	35
Hydraulic Proportional Controls.....	36
Electric Proportional Pro Pilot Controls.....	38
Hydraulic Proportional Pro Pilot Controls.....	40
Cable Rotor Valve Assembly.....	42
Hyd. Control Valve Assembly.....	44
Head Float Valve Assembly.....	46
Arm Float Valve Assembly.....	47
Autopilot.....	48
Forward Reach Ram.....	50
Slew Ram.....	51
Lift Ram.....	52
Dipper Ram.....	53
Head Ram.....	54
Tele Ram.....	55
Electric Rotor Valve Assembly.....	56
SDS100 Valve Mount plate.....	57
Lift Ram Shut Off Valve.....	58
Cab Guard.....	59
Decals.....	60

Spearhead TWIGA

Contents cont.

Safety Decals.....	62
Axle Mount Sub Frame.....	64
Light Circuit.....	65
Joystick Hose Kit.....	66
Tandem Pump.....	67
Gearbox.....	68
P.T.O.....	69
Auto Reset Valve.....	70
2SV Joystick.....	71
2SV Control Valve.....	72
Cable Rotor Valve.....	73
Pilot Valve.....	74
Head Float Valve.....	75
Arm Float Valve.....	76
Electric Rotor Valve.....	77
Shock Absorber.....	78
Hose Blanking Caps.....	79
Pressure Filter.....	79
Narrow Lane Bracket.....	80
Narrow Lane Bracket Hoses.....	82
Narrow Lane Bracket Ram.....	83
Debris Blower.....	84
Cable Controls.....	85
Cable Control Valve Assembly.....	86
Break Back Valve Assembly.....	87
Hyd. SD5 Base Hose Kit.....	88
Cable SD5 Base Hose Kit.....	90
SDS100 Base Hose Kit.....	92
Arm Hose Kit - 500/600.....	94
Arm Hose Kit - 500FR/600FR.....	96
Arm Hose Kit - 655T/700T.....	98

Spearhead TWIGA

Ordering Your Part's

When ordering parts please refer to your parts list to help your dealer with your order.

- Part number and quantity
- Description
- Machine model number
- Serial number of the machine
- Delivery instructions (e.g. next day).

Delivery is normally via carrier direct to your dealer. Please check with your dealer for stock availability and arrangement of dispatch. Ensure you or your dealer has sufficient cover for parts requirement outside factory hours.

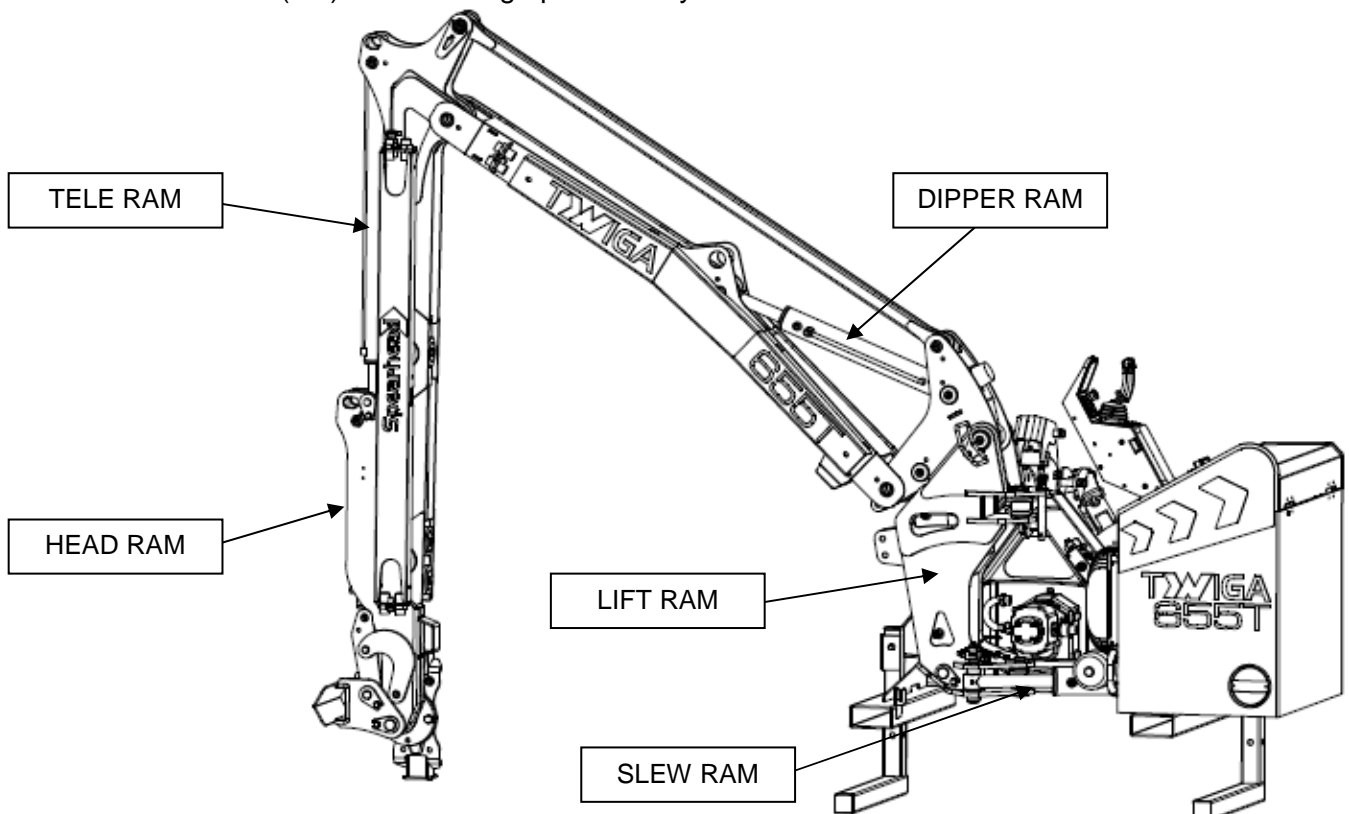
When ordering your seal kits please quote both codes stamped on the base of the cylinder.

Important Note

The information contained in this manual is correct at the time of publication. However, in the course of constant development, changes in specification are inevitable. Should you find the information given in this book different to the machine it relates to, please contact the "After Sales Department" for advice.

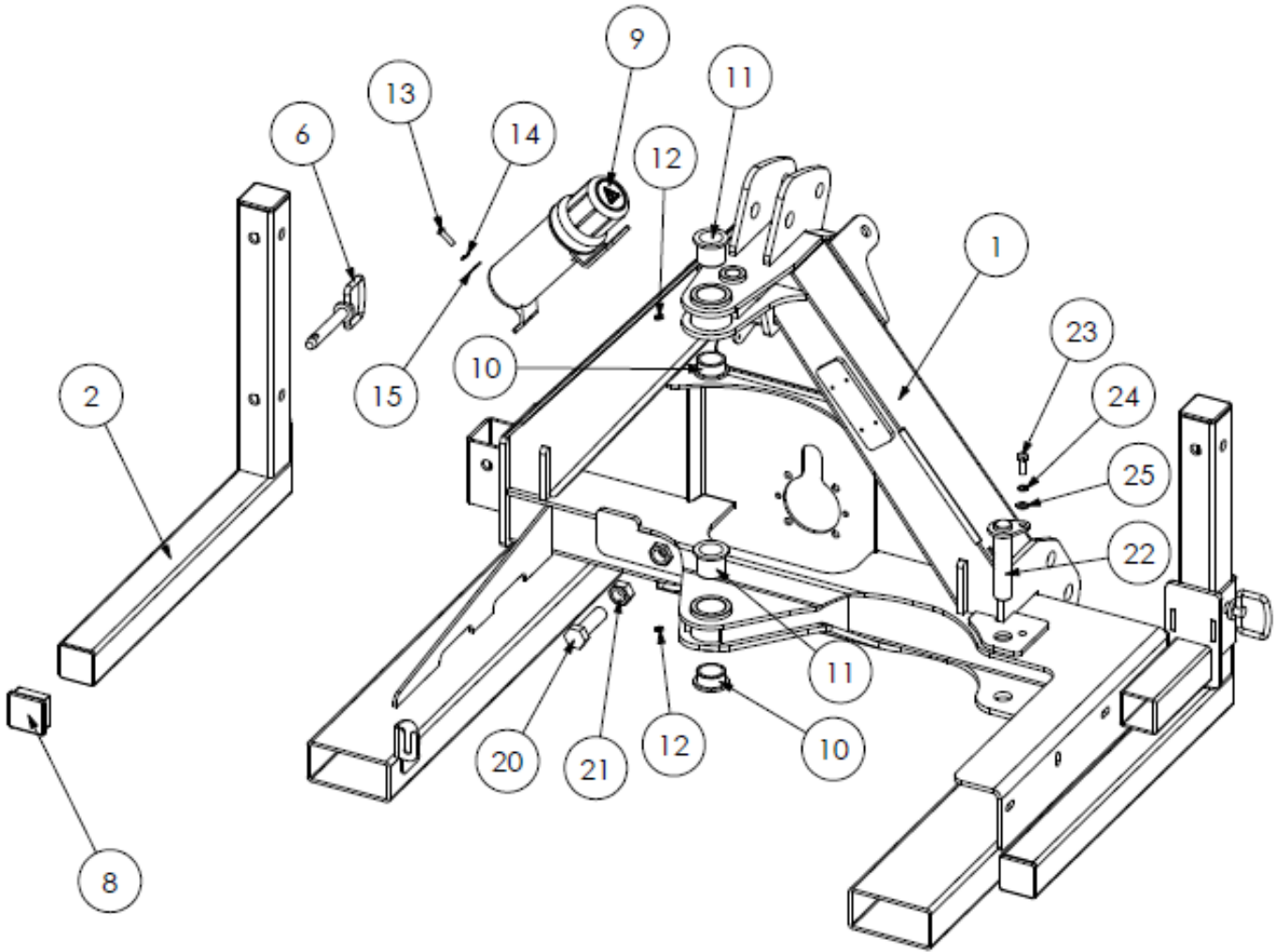
Key:

- (LH) = Left hand
- (RH) = Right hand
- (LP) = Low pressure hydraulics
- (HP) = High pressure hydraulics



Spearhead TWIGA

LH A FRAME - S180032.00
RH A FRAME - S180032.39



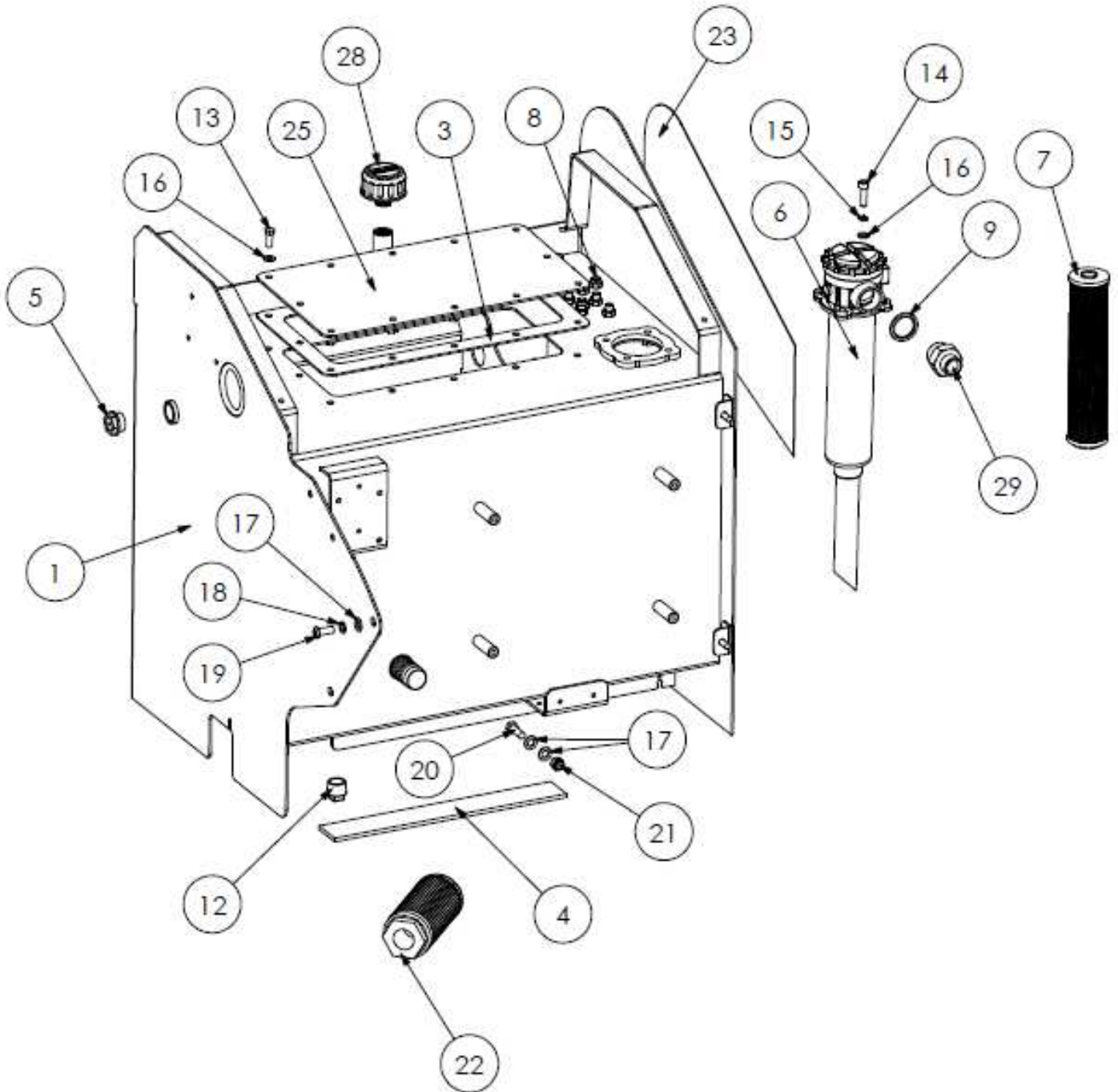
Spearhead TWIGA

LH MAIN FRAME - S180032.00
RH MAIN FRAME - S180032.39

REF NO.	PART NO.	QTY.	DESCRIPTION
1	1800100	1	LH MAIN FRAME
1	1800120	1	RH MAIN FRAME
2	180720	2	LEG STAND
6	6310215	2	CAT I PIN
8	45210.01	4	PLASTIC CAP
9	46505.01	1	DOCUMENTS TUBE
10	4600126	2	BUSH
11	4600127-A	2	BUSH
12	2770467	2	M6 ST GREASE NIPPLE
13	2770589	2	M8 X 20 SKT BUTTON SCREW
14	2770323	2	M8 SHAKE PROOF WASHER
15	2770244	2	M8 REPAIR WASHER
20	2770551	1	M24 X 80 BOLT
21	2770460	1	M24 FULL NUT
22	1782100	1	PEAR PIN: 30 X 132 mm
23	2770421	1	M10 X 30 BOLT
24	2770469	1	M10 SPRING WASHER
25	2770434	1	M10 FLAT WASHER

Spearhead TWIGA

LH TANK - S180032.01
RH TANK - S180032.40



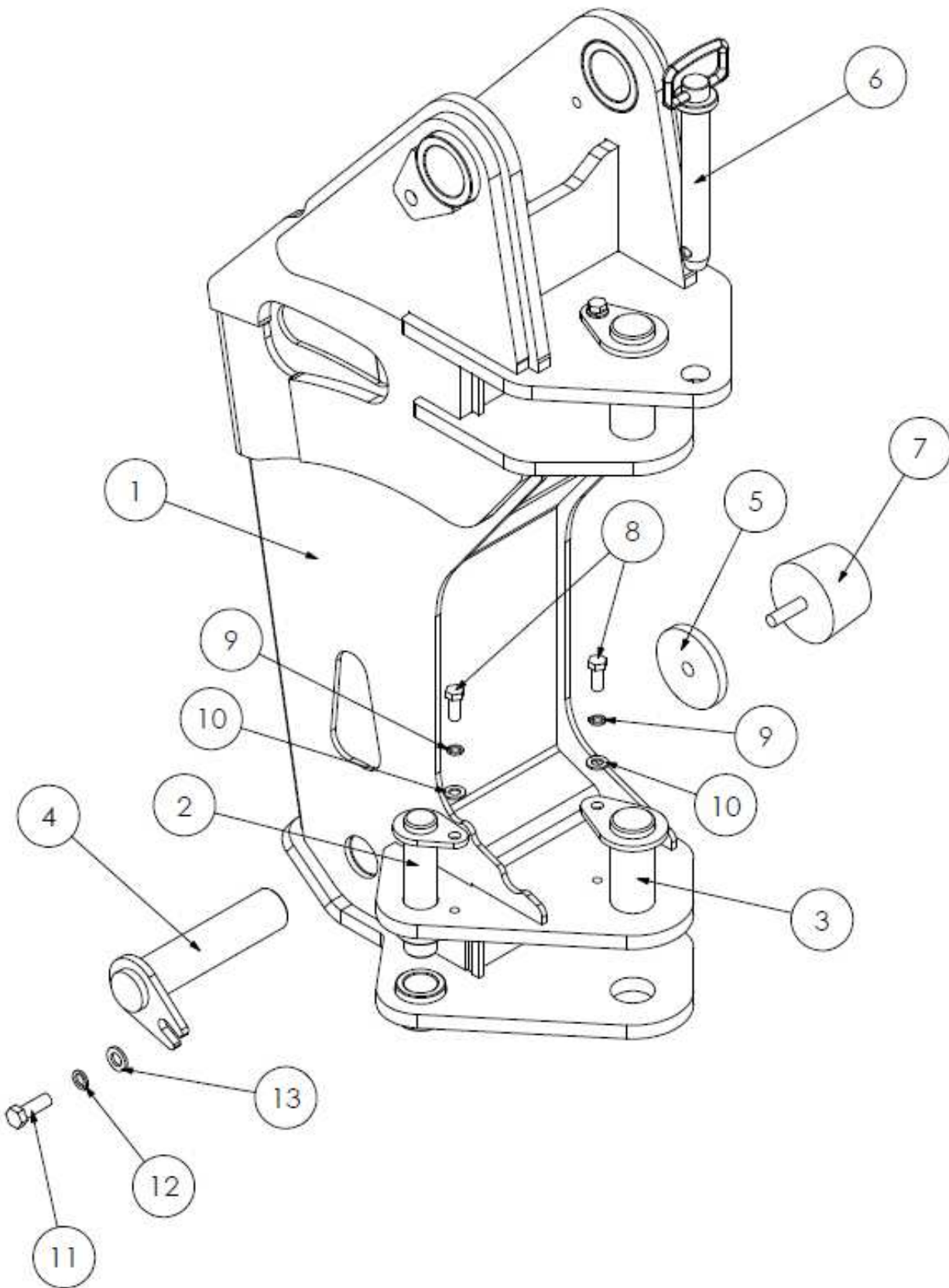
Spearhead TWIGA

LH TANK - S180032.01
RH TANK - S180032.40

REF NO.	PART NO.	QTY.	DESCRIPTION
1	180450	1	LH TANK
1	180442	1	RH TANK
3	5771637	1	GASKET
4	8400213	1	TANK MOUNT FLAP
5	3900063	1	LEVEL GAUGE
6	3900045	1	FILTER
7	3900079	-	FILTER ELEMENT
8	3460104	2	1/4" FM CAP
9	3260075	1	1 1/4" BONDED SEAL
12	T1698	2	TANK BUNG
13	2770418	10	M10 X 20 BOLT
14	30.072.27	4	M10 X 35 SKT CAP
15	2770469	4	M10 SPRING WASHER
16	2770434	14	M10 FLAT WASHER
17	2770436	6	M12 FLAT WASHER
18	2770442	2	M12 SPRING WASHER
19	05.625.10	2	M12 X 30 SKT CSK SCREW
20	2770535	2	M12 X 35 BOLT
21	2770417	2	M12 NYLOCK
22	8401047	1	SUCTION FILTER
23	8770417	1	LH DECAL
23	8770421	1	RH DECAL
25	180191	1	TANK COVER PLATE
28	8401063	1	BREATHER
29	3360078	1	1 1/4" M - 1" M ADAPTOR

Spearhead TWIGA

LH SLEW POST - S180032.68
RH SLEW POST - S180032.69



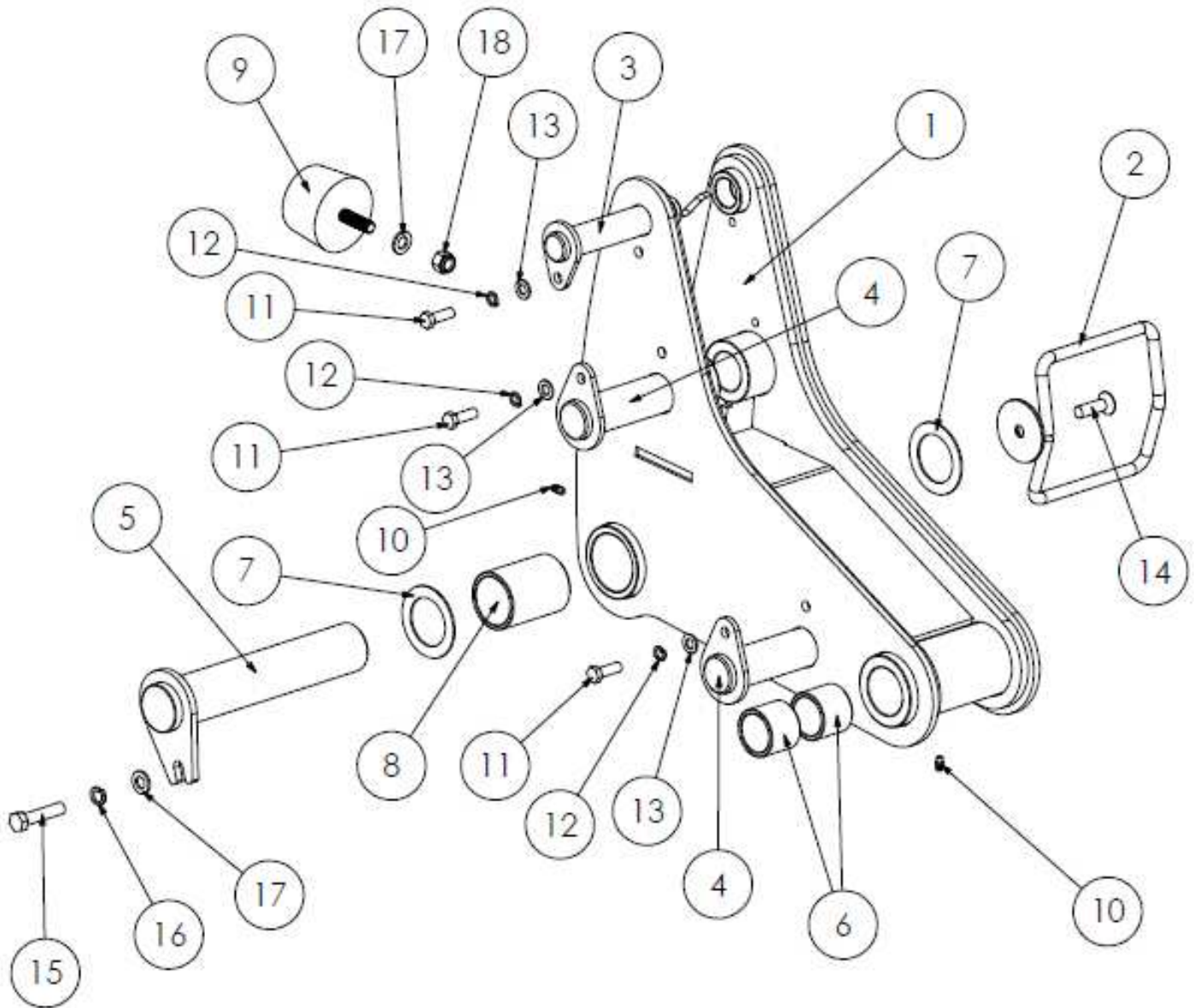
Spearhead TWIGA

LH SLEW POST – S180032.68
RH SLEW POST – S180032.69

REF NO.	PART NO.	QTY.	DESCRIPTION
1	180965	1	LH SLEW POST
1	180586	1	RH SLEW POST
2	1782100	1	PEAR PIN: 30 X 132 mm
3	1782115	2	PEAR PIN: 40 X 116 mm
4	1777977	1	PEAR PIN: 40 X 170 mm
5	1777029	1	SPACER
6	6310239	1	SLEW LOCK PIN
7	8770634	1	RUBBER CUSHION
8	2770407	3	M10 X 25 BOLT
9	2770469	3	M10 SPRING WASHER
10	2770434	3	M10 FLAT WASHER
11	2770442	4	M12 SPRING WASHER
12	2770436	4	M12 FLAT WASHER
13	2770535	1	M12 X 30 BOLT

Spearhead TWIGA

LIFT FRAME - S180032.70



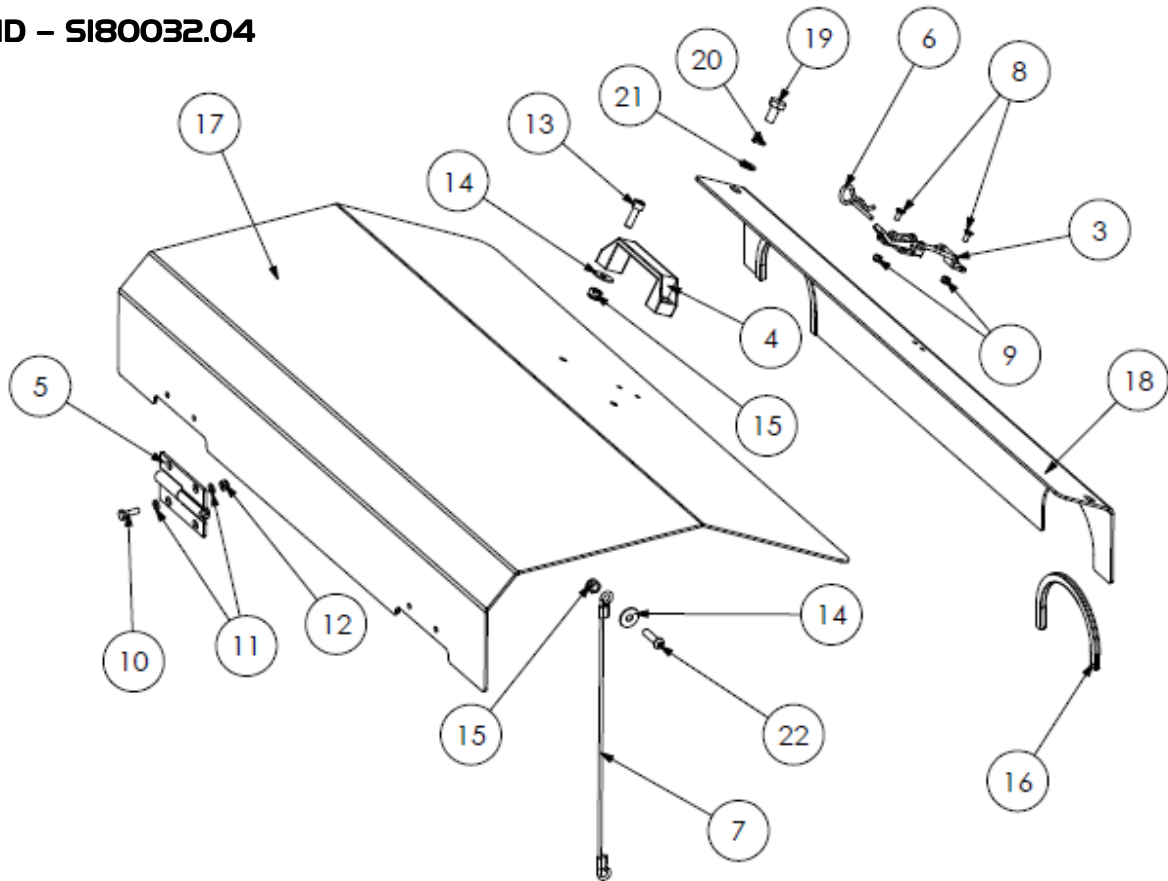
Spearhead TWIGA

LIFT FRAME – S180032.70

REF NO.	PART NO.	QTY.	DESCRIPTION
1	180964	1	LIFT FRAME
2	1770693	1	HOSE GUIDE BRACKET
3	1782130	1	PEAR PIN: 30 X 150mm
4	1782129	2	PEAR PIN: 40 X 150mm
5	1782072	1	PEAR PIN: 50 X 250mm
6	4600125	4	BUSH - 40mm
7	4600137	2	SPACER
8	4600143	2	BUSH - 50mm
9	8770634	1	RUBBER CUSHION
10	2770467	2	M6 ST GREASE NIPPLE
11	2770421	3	M10 X 30 BOLT
12	2770469	3	M10 SPRING WASHER
13	2770434	3	M10 FLAT WASHER
14	2770398	1	M12 X 40 SKT CAP SCREW
15	2770450	1	M12 X 55 BOLT
16	2770442	1	M12 SPRING WASHER
17	2770436	1	M12 FLAT
18	2770417	1	M12 NYLOCK

Spearhead TWIGA

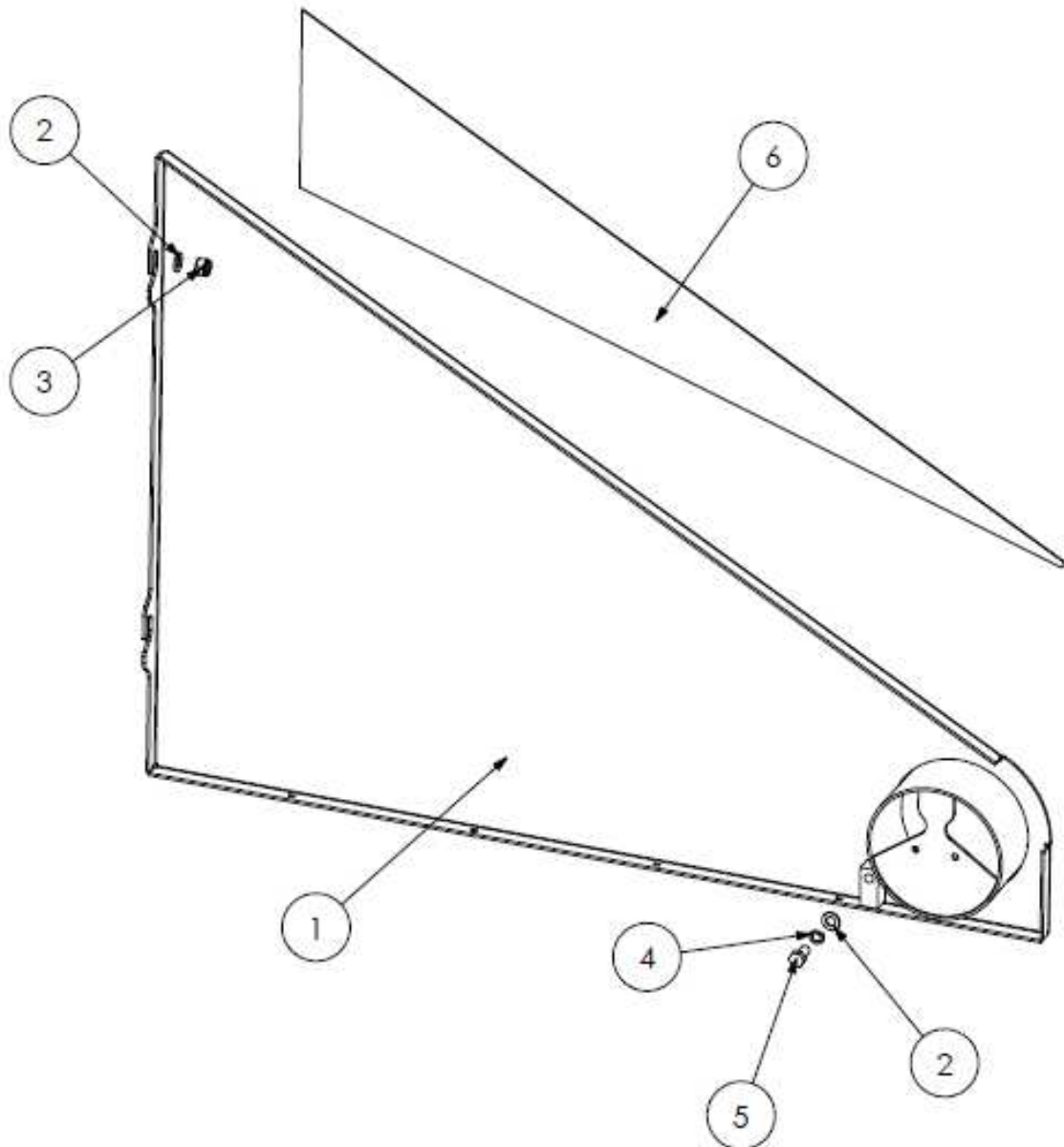
TANK LID – S180032.04



REF NO.	PART NO.	QTY.	DESCRIPTION
3	8550142	1	LATCH & CLASP
4	8777513	1	HANDLE
5	46065.01	1	HINGE
5	46065.02	1	HINGE
6	6310194	1	R CLIP
7	6770939	1	WIRE ROPE
8	9353022	4	M5 X 12 SKT CSK BOLT
9	2770394	4	M5 NYLOCK
10	30.068.83	8	M6 X 20 BOLT
11	2771408	16	M6 FLAT WASHER
12	2770373	8	M6 NYLOCK
13	2770612	3	M8 X 25 SKT CAP
14	2770244	3	M8 REPAIR WASHER
15	2770416	3	M8 NYLOCK
16	03.231.01	240	RUBBER EDGING STRIP
17	180190	1	TANK LID
18	181323	1	SLAM PANEL
19	2770418	2	M10 X 20 BOLT
20	2770469	2	M10 SPRING WASHER
21	2770434	2	M10 FLAT WASHER
22	2770368	1	M8 X 30 SKT BUTTON SCREW

Spearhead TWIGA

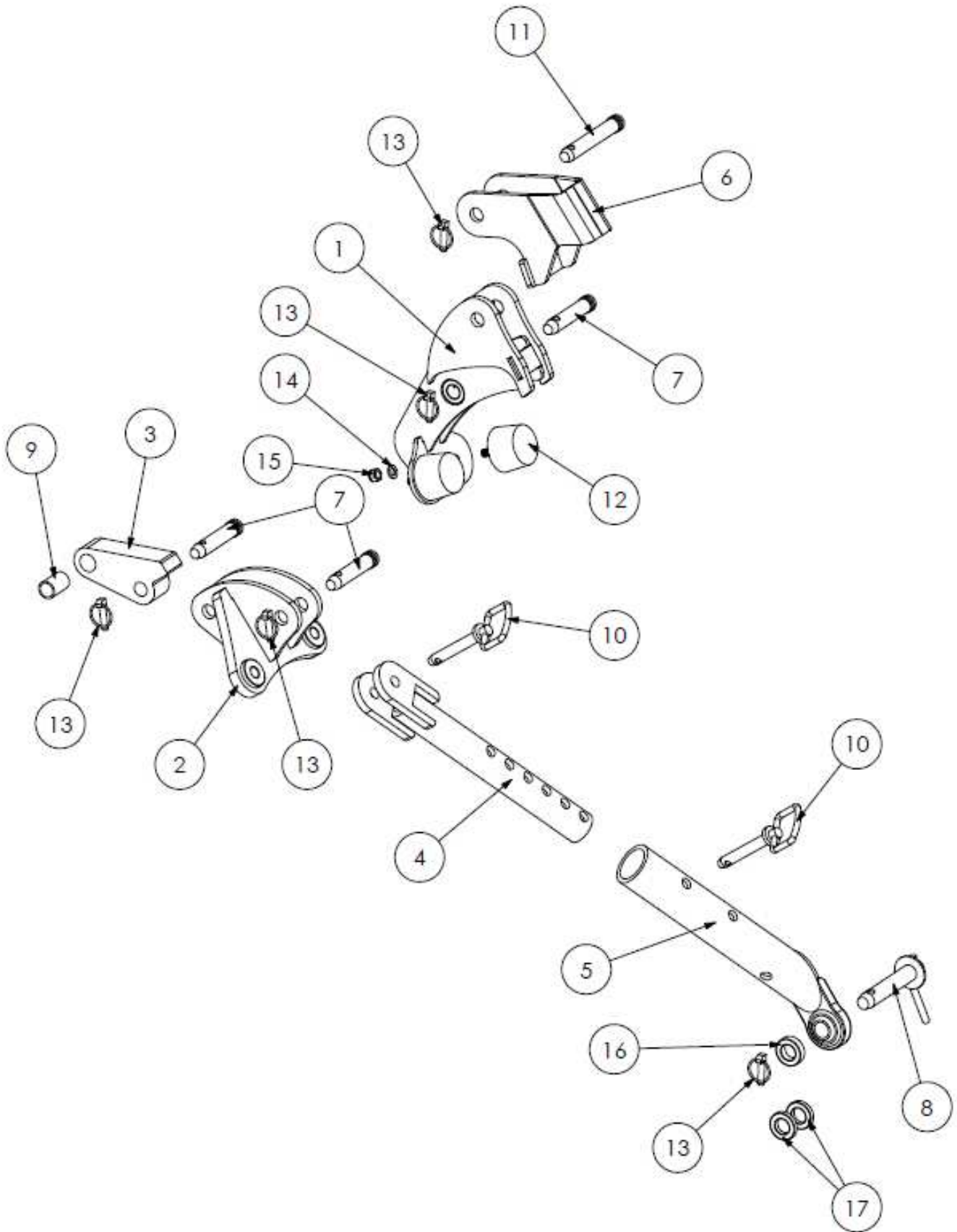
LH REAR PANEL – S180032.05
RH REAR PANEL – S180032.42



REF NO.	PART NO.	QTY.	DESCRIPTION
1	180451	1	LH REAR PANEL
1	180443	1	RH REAR PANEL
2	2770437	3	M10 FLAT WASHER
3	2770412	2	M10 NYLOCK
4	2770469	1	M10 SPRING WASHER
5	2770418	1	M10 X 20 BOLT
6	8770418	1	LH DECAL
6	8770422	1	RH DECAL

Spearhead TWIGA

STABILISER BRACKETS - S180032.06



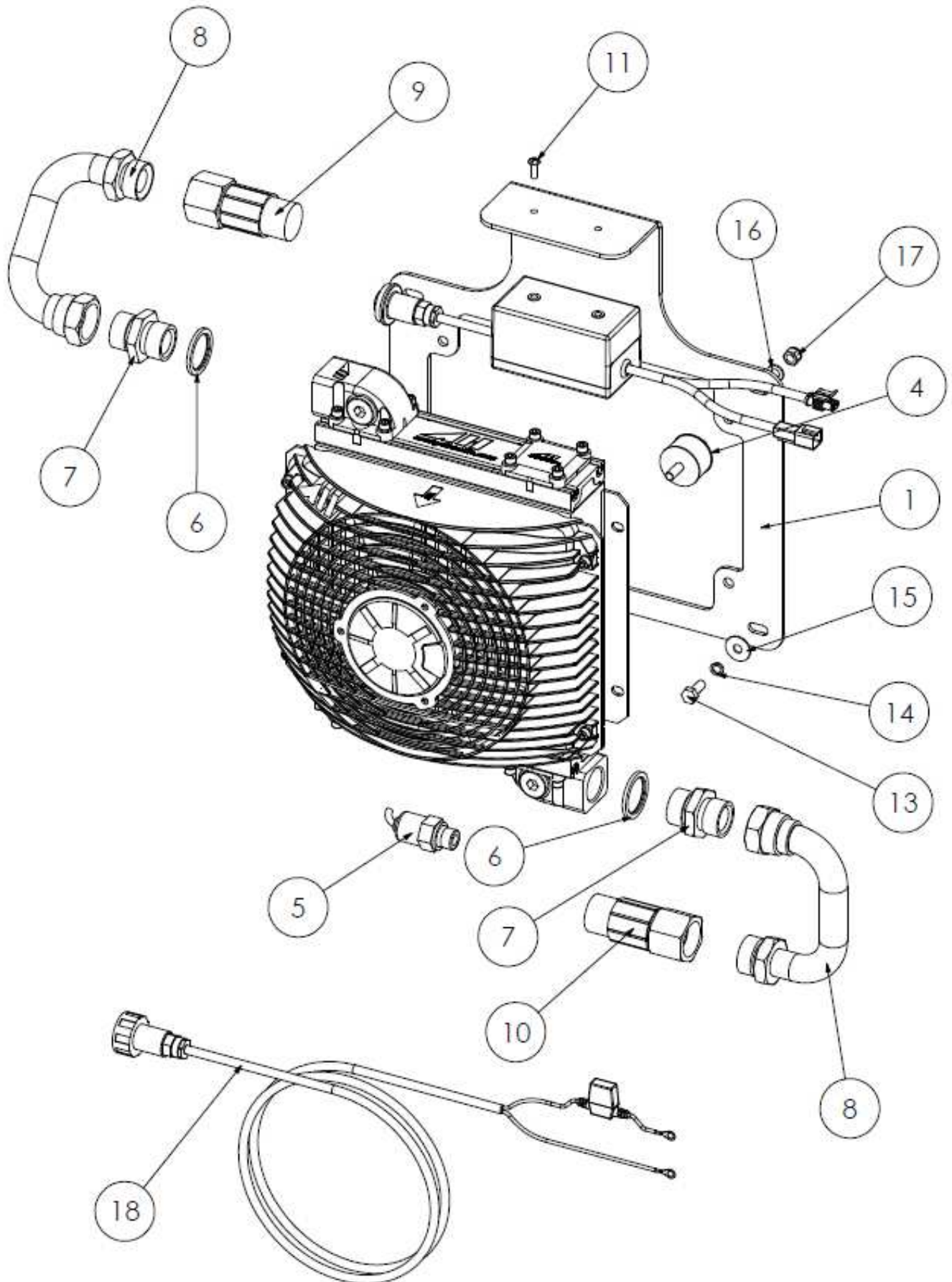
Spearhead TWIGA

STABILISER BRACKETS – S180032.06

REF NO.	PART NO.	QTY.	DESCRIPTION
1	1800331	1	TOP LINK CUSHION BRACKET
2	1800289	1	STABILISER BRACKET
3	181353	1	STABILISER TONGUE - STD
3	1777873N	OPT	STABILISER TONGUE - NEW HOLLAND LONG
3	1777873NS	OPT	STABILISER TONGUE - NEW HOLLAND STD
4	1777532	2	INNER STABILISER
5	1777533A	2	OUTER STABILISER
6	1777887	1	OVER CENTRE BRACKET
7	6310203	3	TOP LINK PIN
8	6310208	4	LOWER LINK PIN
9	6310214	1	CONVERSION BUSH
10	6310215	4	PIN
11	6310235	1	TOP LINK PIN
12	8770634	2	RUBBER CUSHION
13	00.372.01	8	LYNCH PIN
14	2770436	2	M12 FLAT WASHER
15	2770417	2	M12 NYLOCK
16	43332.01	2	SPACER - 15mm
17	43332.02	4	SPACER - 10mm

Spearhead TWIGA

OIL COOLER - S180032.102



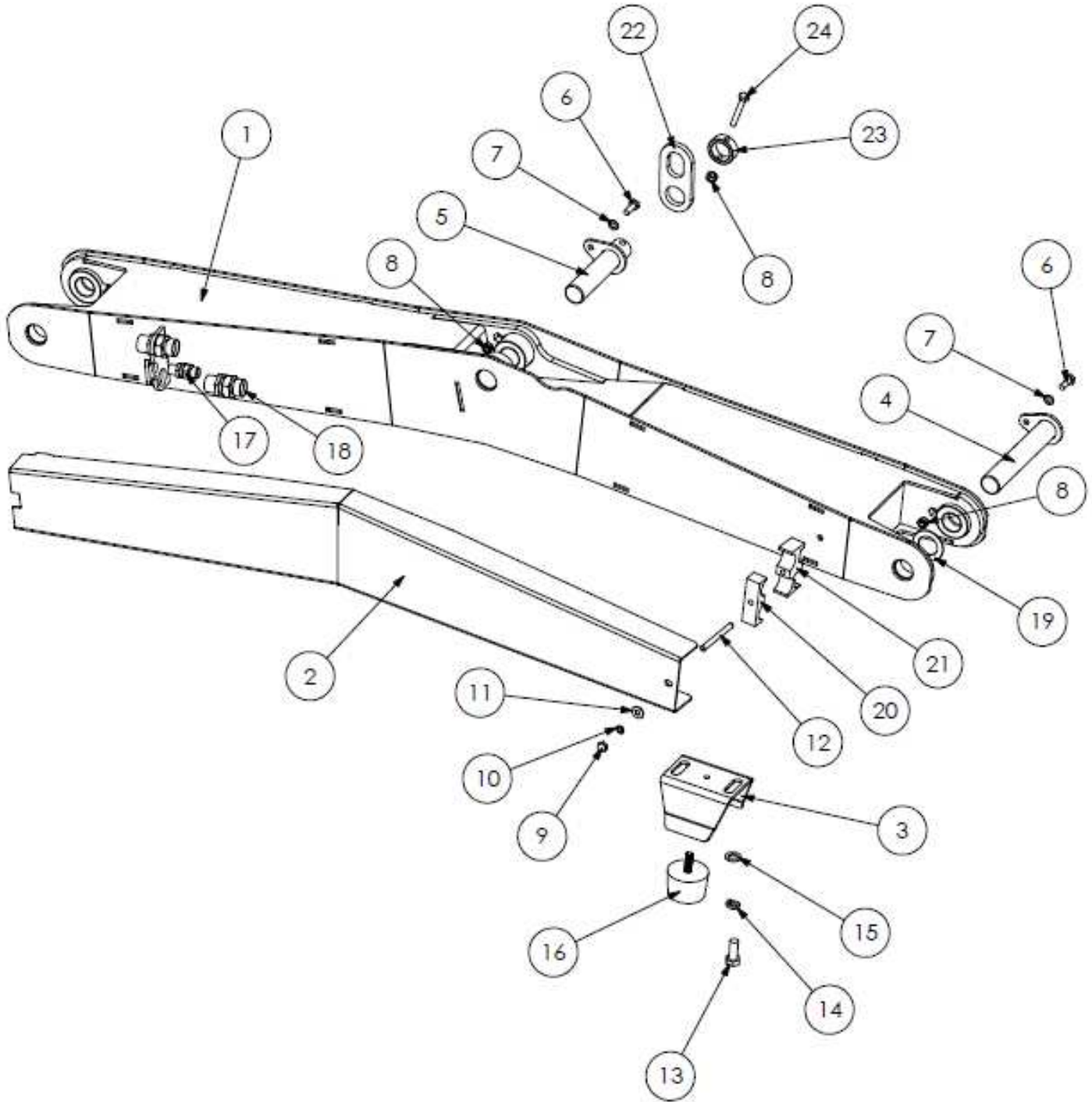
Spearhead TWIGA

OIL COOLER – S180032.I02

REF NO.	PART NO.	QTY.	DESCRIPTION
1	180042	1	OIL COOLER MOUNT PLATE
2	3151068	1	OIL COOLER
3	8770711	1	CONTROL BOX
4	8770603	4	RUBBER MOUNT
5	47313.03	1	THERMOSTAT
6	3260074	2	1" BONDED SEAL
7	3360092	2	1" M-M ADAPTOR
8	46127.02	2	1" 180° U BEND
9	3760105	1	OUTLET HOSE: 390mm
10	3760106	1	INLET HOSE: 1120mm
11	2770580	2	M5 X 15 SCREW
12	2770207	2	M5 RIVNUT
13	2770402	4	M8 X 20 BOLT
14	2770433	4	M8 SPRING WASHER
15	2770244	4	M8 REPAIR WASHER
16	2770432	8	M8 FLAT WASHER
17	2770416	8	M8 NYLOCK
18	8770713	1	POWER LEAD

Spearhead TWIGA

- 555 LH MAIN ARM - S180032.71
- 555 RH MAIN ARM - S180032.72
- 600/655T LH MAIN ARM - S180032.73
- 600/655T RH MAIN ARM - S180032.74
- 700T LH MAIN ARM - S180032.90
- 700T RH MAIN ARM - S180032.91



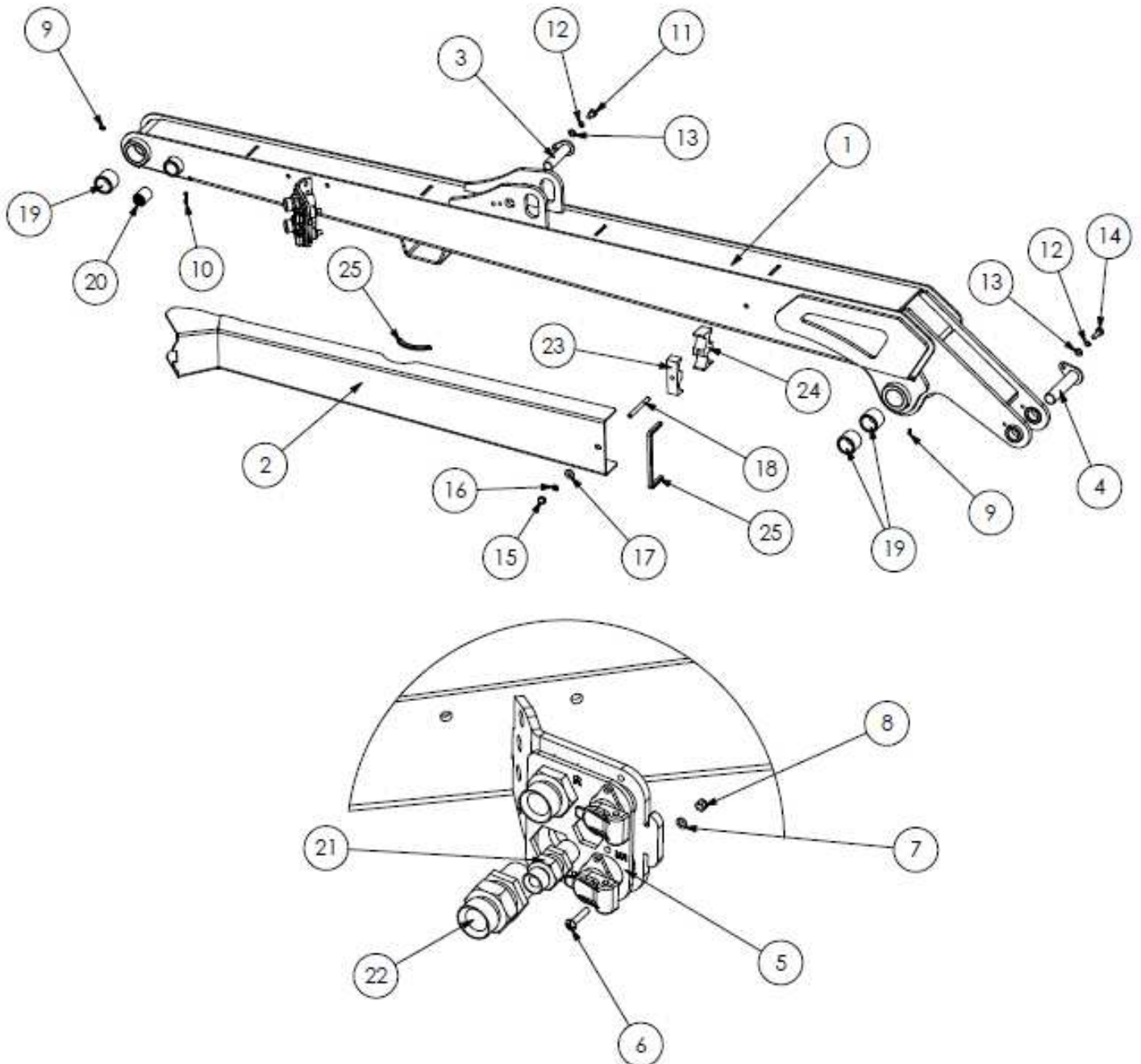
Spearhead TWIGA

555 LH MAIN ARM – S180032.71
555 RH MAIN ARM – S180032.72
600/655T LH MAIN ARM – S180032.73
600/655T RH MAIN ARM – S180032.74
700T LH MAIN ARM - S180032.90
700T RH MAIN ARM - S180032.91

REF NO.	PART NO.	QTY.	DESCRIPTION
1	180966	1	LH MAIN ARM - 555
1	180967	1	RH MAIN ARM - 555
1	180968	1	LH MAIN ARM - 600/655T
1	180969	1	RH MAIN ARM - 600/655T
1	181145	1	LH MAIN ARM - 700T
1	181173	1	RH MAIN ARM - 700T
2	180237	1	LH MAIN ARM GUARD - 555
2	180238	1	RH MAIN ARM GUARD - 555
2	180596	1	LH MAIN ARM GUARD - 600/655T
2	180597	1	RH MAIN ARM GUARD - 600/655T
2	181146	1	LH MAIN ARM GUARD - 700T
2	181174	1	RH MAIN ARM GUARD - 700T
3	1777144	1	BUMP STOP PLATE
4	1782133	2	PEAR PIN: 40 X 235 mm
5	1782136	1	PEAR PIN: 40 X 150 mm
6	2770421	3	M10 X 30 BOLT
7	2770434	3	M10 FLAT WASHER
8	2770412	4	M10 NYLOCK
9	9100025	1	M10 DOMED NUT
10	05.283.02	1	M10 SHAKE PROOF WASHER
11	2770437	1	M10 REPAIR WASHER
12	04.282.69	1	M10 X 105 STUD
13	05.264.35	2	M16 X 40 BOLT
14	2770456	2	M16 SPRING WASHER
15	2770454	2	M16 FLAT WASHER
16	8770634	1	RUBBER CUSHION
17	3700187	1	1/2" BULKHEAD
18	3460115	2	1" BULKHEAD
19	191.067	4	SPACER
20	06.430.17	1	UPPER HOSE CLAMP
21	06.430.18	1	LOWER HOSE CLAMP
22	180007	1	LIFTING EYE
23	46194.02	1	COLLAR
24	05.291.19	1	M10 X 70 BOLT

Spearhead TWIGA

555 LH DIPPER ARM - S180032.85
555 RH DIPPER ARM - S180032.86
600 LH DIPPER ARM - S180032.87
600 RH DIPPER ARM - S180032.88



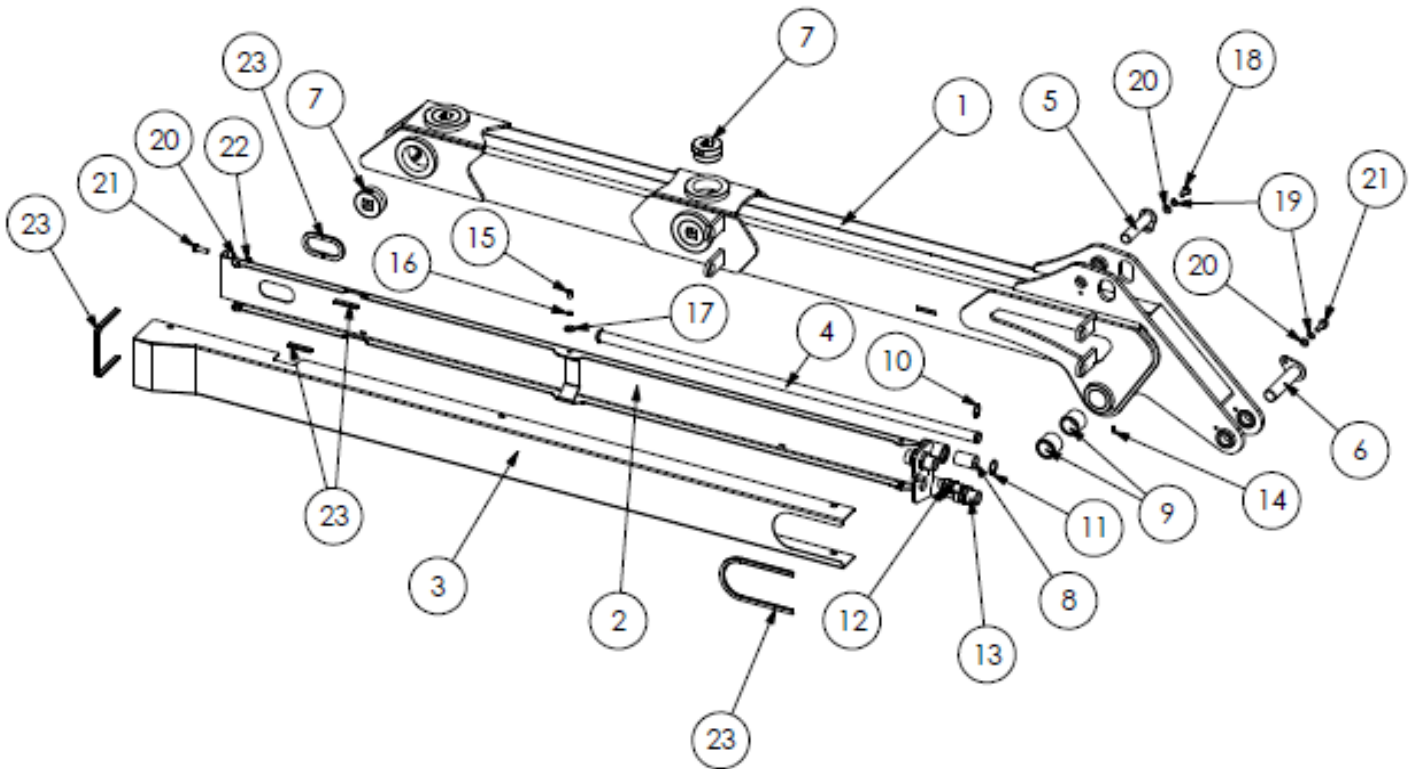
Spearhead TWIGA

555 LH DIPPER ARM – S180032.85
555 RH DIPPER ARM – S180032.86
600 LH DIPPER ARM – S180032.87
600 RH DIPPER ARM – S180032.88

REF NO.	PART NO.	QTY.	DESCRIPTION
1	181082	1	LH DIPPER ARM - 555
1	181083	1	RH DIPPER ARM - 555
1	181084	1	LH DIPPER ARM - 600
1	181085	1	RH DIPPER ARM - 600
2	181342	1	DIPPER ARM GUARD - 555
2	181343	1	DIPPER ARM GUARD - 600
3	1782132	1	PEAR PIN: 25.4 X 102 mm
4	1782100	1	PEAR PIN: 30 X 132 mm
5	180818	1	LH BULKHEAD RETAINING PLATE
5	180876	1	RH BULKHEAD RETAINING PLATE
6	2770249	5	M5 X 25 SCREW
7	2770391	5	M5 FLAT WASHER
8	2770394	5	M5 NYLOCK
9	2770467	2	M6 ST GREASE NIPPLE
10	2770639	1	M6 EXTENDED GREASE NIPPLE
11	2770418	1	M10 X 20 BOLT
12	2770469	2	M10 SPRING WASHER
13	2770434	2	M10 FLAT WASHER
14	2770421	1	M10 X 30 BOLT
15	9100025	1	M10 DOMED NUT
16	05.283.02	1	M10 SHAKE PROOF WASHER
17	2770437	1	M10 REPAIR WASHER
18	04.282.10	1	M10 X 100 STUD
19	4600125	6	BUSH
20	42654.08	2	BUSH
21	3700228	1	1/2" BULKHEAD
22	3460115	2	1" BULKHEAD
23	06.430.17	1	UPPER HOSE CLAMP
24	06.430.18	1	LOWER HOSE CLAMP
25	03.231.01	240	RUBBER EDGING STRIP

Spearhead TWIGA

655T LH OUTER DIPPER ARM - S180032.108
655T RH OUTER DIPPER ARM - S180032.109
700T LH OUTER DIPPER ARM - S180032.93
700T RH OUTER DIPPER ARM - S180032.94



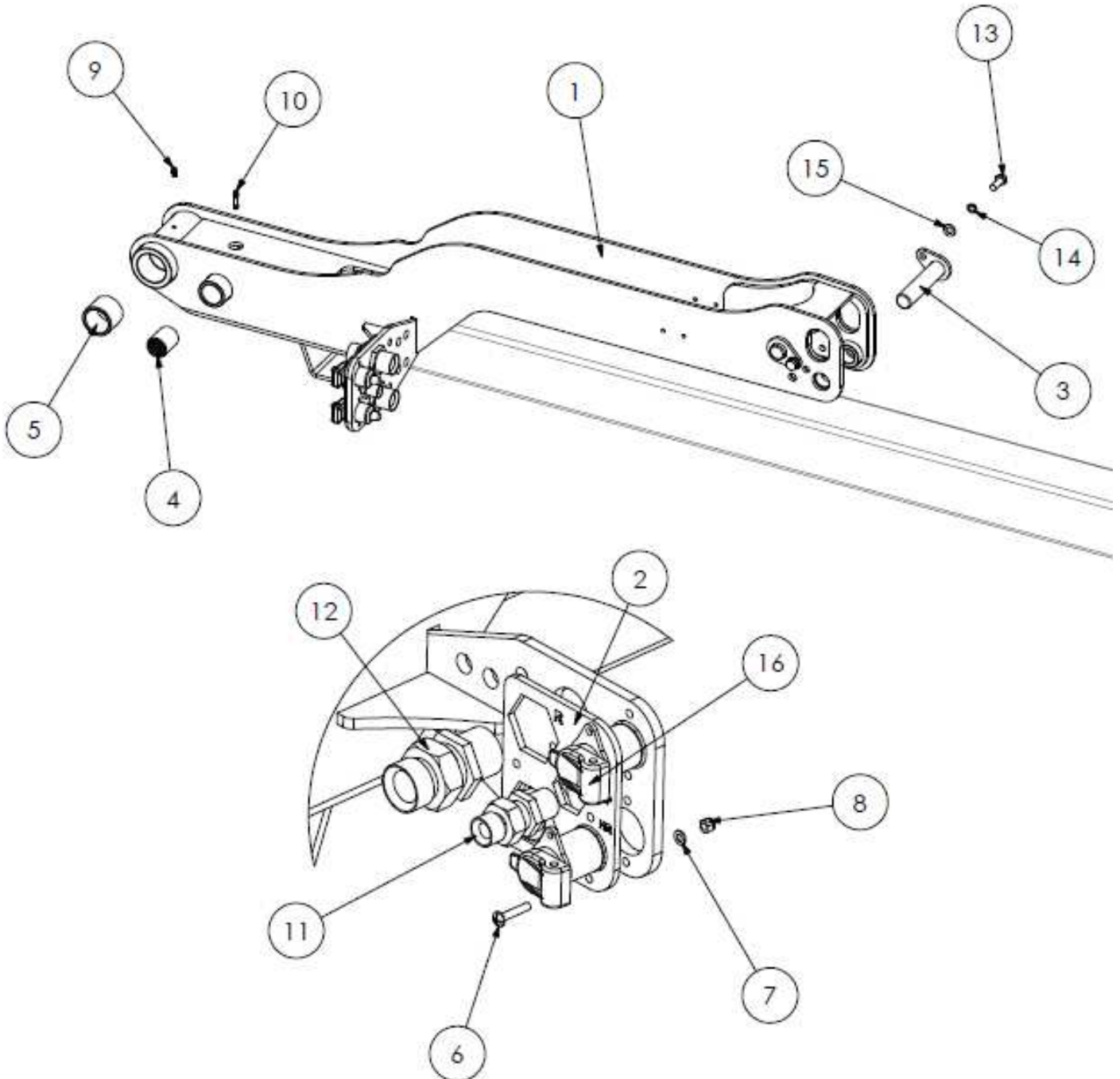
Spearhead TWIGA

655T LH OUTER DIPPER ARM – S180032.108
655T RH OUTER DIPPER ARM – S180032.109
700T LH OUTER DIPPER ARM – S180032.93
700T RH OUTER DIPPER ARM – S180032.94

REF NO.	PART NO.	QTY.	DESCRIPTION
1	181345	1	LH OUTER DIPPER ARM - 655T
1	181347	1	RH OUTER DIPPER ARM - 655T
1	181148	1	LH OUTER DIPPER ARM - 700T
1	181175	1	RH OUTER DIPPER ARM - 700T
2	181349	1	LH DIPPER ARM HOSE CHANNEL - 655T
2	181351	1	RH DIPPER ARM HOSE CHANNEL - 655T
2	181150	1	LH DIPPER ARM HOSE CHANNEL - 700T
2	181177	1	RH DIPPER ARM HOSE CHANNEL - 700T
3	181350	1	HOSE GUARD - 655T
3	181132	1	HOSE GUARD - 700T
4	1778303	2	HOSE GUARD RAIL
5	1782127	1	PEAR PIN: 25.4 X 114 mm
6	1782100	1	PEAR PIN: 30 X 132 mm
7	4600121A	9	WEAR PAD
8	4600124	2	BUSH
9	4600125	4	BUSH
10	2771111	4	EXTERNAL CIRCLIP
11	2771112	2	INTERNAL CIRCLIP
12	3700187	1	1/2" BULKHEAD
13	3460115	2	1" BULKHEAD
14	2770467	1	M6 ST GREASE NIPPLE
15	2770370	6	M8 X 15 SKT BUTTON BOLT
16	05.283.01	6	M8 SHAKE PROOF WASHER
17	2770244	6	M8 REPAIR WASHER
18	2770418	1	M10 X 20 BOLT
19	2770469	2	M10 SPRING WASHER
20	2770434	4	M10 FLAT WASHER
21	2770421	3	M10 X 30 BOLT
22	2770412	2	M10 NYLOCK
23	03.231.01	600	EDGING STRIP

Spearhead TWIGA

655T LH INNER DIPPER ARM - S180032.110
655T RH INNER DIPPER ARM - S180032.111
700T LH INNER DIPPER ARM - S180032.95
700T RH INNER DIPPER ARM - S180032.96



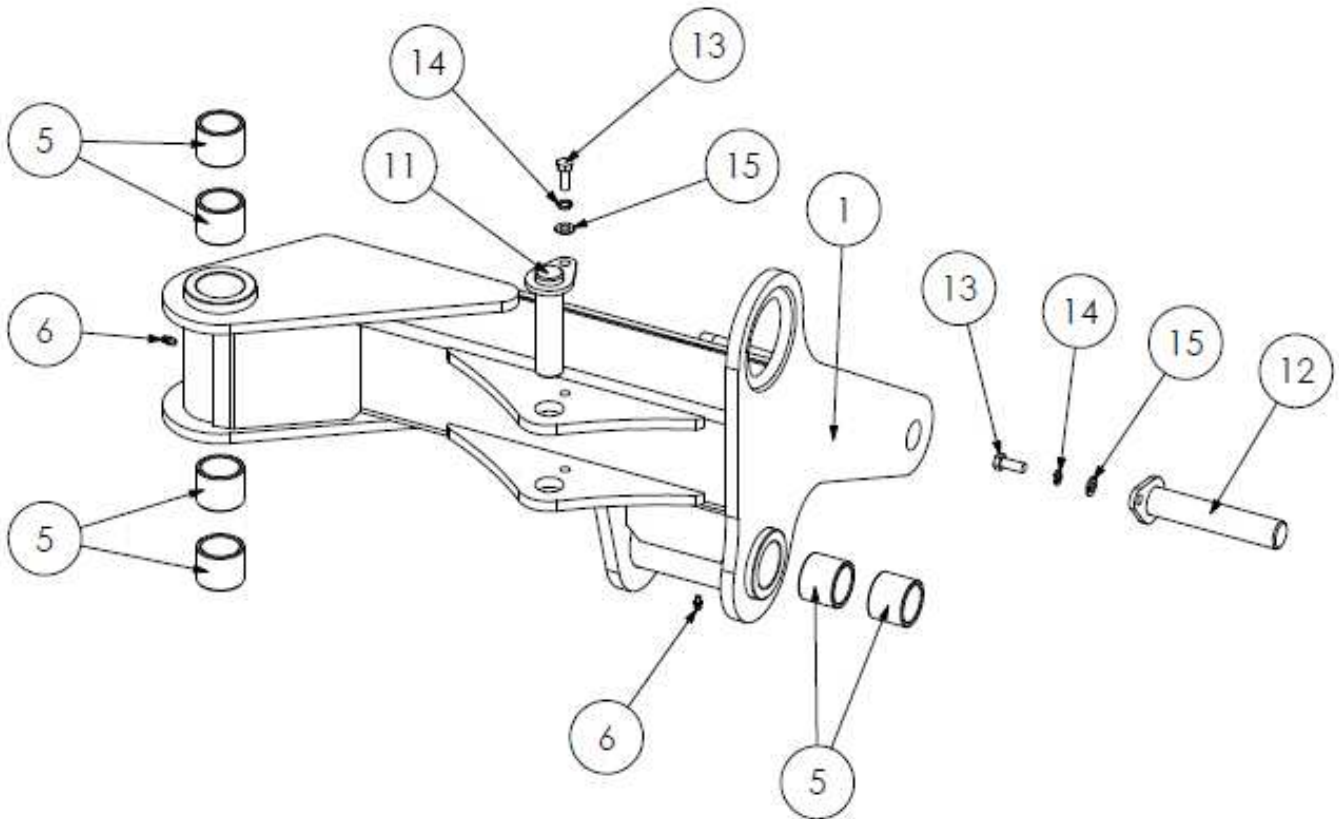
Spearhead TWIGA

655T LH INNER DIPPER ARM – S180032.II0
655T RH INNER DIPPER ARM – S180032.III
700T LH INNER DIPPER ARM – S180032.95
700T RH INNER DIPPER ARM – S180032.96

REF NO.	PART NO.	QTY.	DESCRIPTION
1	181346	1	LH INNER DIPPER ARM - 655T
1	181348	1	RH INNER DIPPER ARM - 655T
1	181149	1	LH INNER DIPPER ARM - 700T
1	181176	1	RH INNER DIPPER ARM - 700T
2	180818	1	LH BULKHEAD RETAINING PLATE
2	180876	1	RH BULKHEAD RETAINING PLATE
3	1782127	2	PEAR PIN: 25.4 X 114 mm
4	42654.08	2	BUSH
5	4600125	2	BUSH
6	2770249	5	M5 X 25 SCREW
7	2770391	5	M5 FLAT WASHER
8	2770394	5	M5 NYLOCK
9	2770467	1	M6 ST GREASE NIPPLE
10	2770639	1	M6 EXTENDED GREASE NIPPLE
11	3700187	1	1/2" BULKHEAD
12	3460115	2	1" BULKHEAD
13	2770407	2	M10 X 25 BOLT
14	2770469	2	M10 SPRING WASHER
15	2770434	2	M10 FLAT WASHER

Spearhead TWIGA

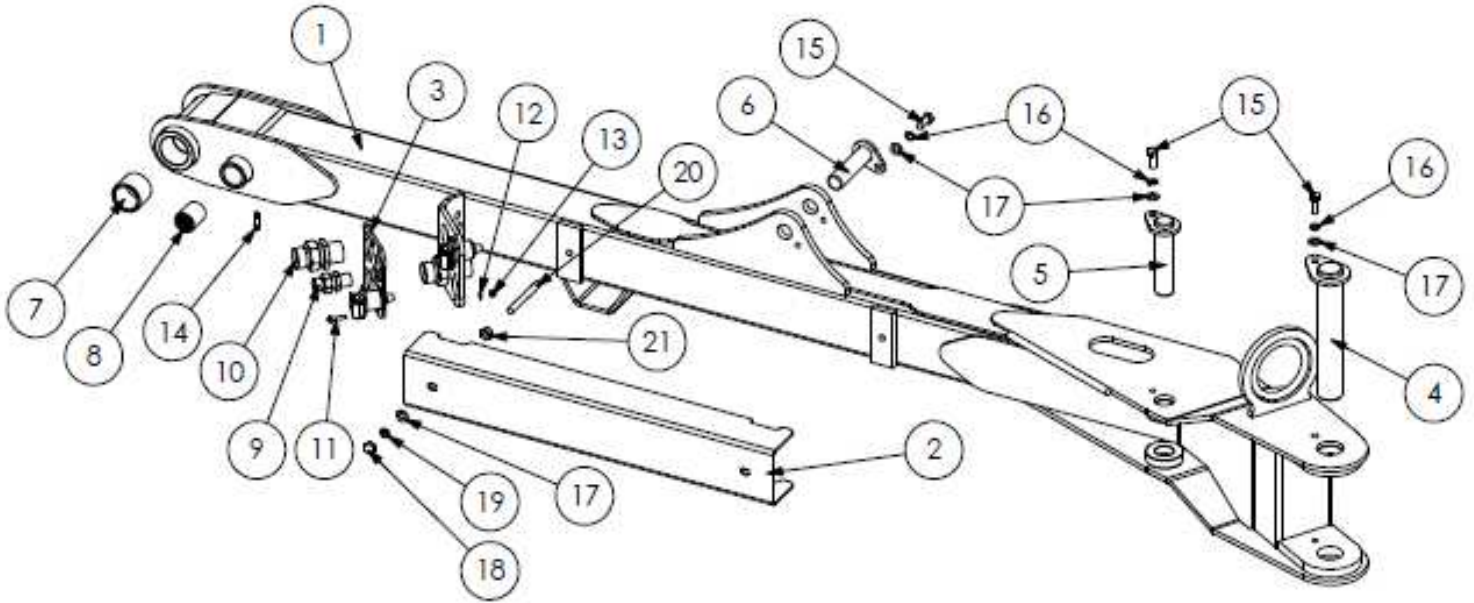
S180032.50 – LH FR KNUCKLE
S180032.52 – RH FR KNUCKLE



REF NO.	PART NO.	QTY.	DESCRIPTION
1	180944	1	LH KNUCKLE
1	180945	1	RH KNUCKLE
5	4600125	8	BUSH
6	2770467	2	M6 ST GREASE NIPPLE
11	1782106	1	PEAR PIN: 30 X 106mm
12	1782130	1	PEAR PIN: 30 X 150mm
13	2770407	2	M10 X 25 BOLT
14	2770469	2	M10 SPRING WASHER
15	2770434	2	M10 FLAT WASHER

Spearhead TWIGA

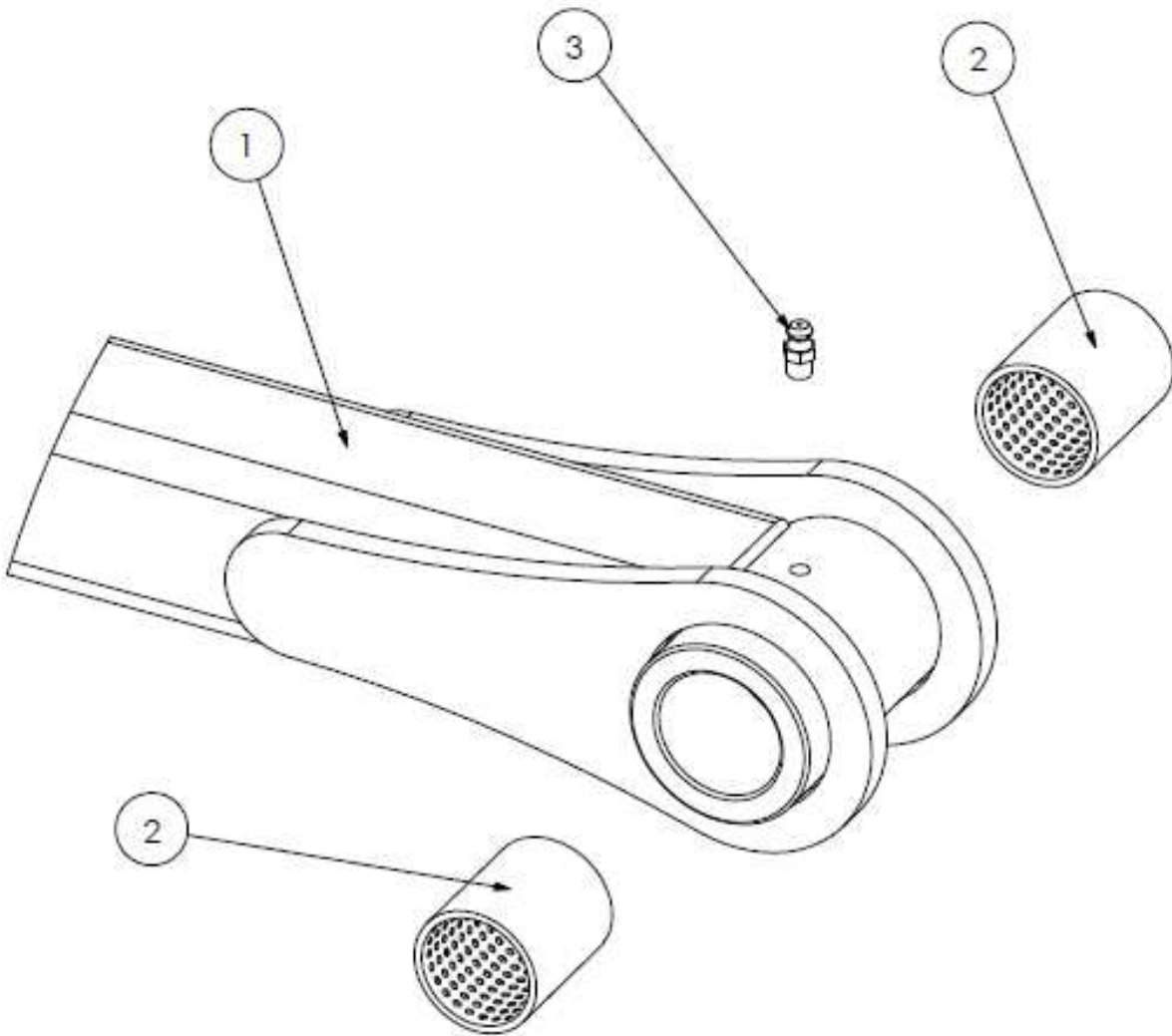
555FR LH DIPPER ARM - S180032.77
 555FR RH DIPPER ARM - S180032.78
 600FR LH DIPPER ARM - S180032.79
 600FR RH DIPPER ARM - S180032.80



REF NO.	PART NO.	QTY.	DESCRIPTION
1	180119	1	LH 555FR DIPPER ARM
1	180121	1	RH 555FR DIPPER ARM
1	180175	1	LH 600FR DIPPER ARM
1	180177	1	RH 600FR DIPPER ARM
2	180120	1	555FR HOSE GUARD
2	180176	1	600FR HOSE GUARD
3	180818	1	LH BULKHEAD RETAINING PLATE
3	180876	1	RH BULKHEAD RETAINING PLATE
4	1782118	1	PEAR PIN: 40 X 220 mm
5	1782131	1	PEAR PIN: 30 X 118 mm
6	1782132	1	PEAR PIN: 25.4 X 102 mm
7	4600125	2	BUSH
8	42654.08	2	BUSH
9	3700187	1	1/2" BULKHEAD
10	3460115	2	1" BULKHEAD
11	2770249	5	M5 X 25 SCREW
12	2770391	5	M5 FLAT WASHER
13	2770394	5	M5 NYLOCK
14	2770639	1	M6 EXTENDED GREASE NIPPLE
15	2770407	3	M10 X 25 BOLT
16	2770469	3	M10 SPRING WASHER
17	2770434	5	M10 FLAT WASHER
18	9100025	2	M10 DOMED NUT
19	05.283.02	2	M10 SHAKE PROOF WASHER
20	04.282.69	2	M10 X 105 STUD
21	05.286.02	2	M10 FULL NUT

Spearhead TWIGA

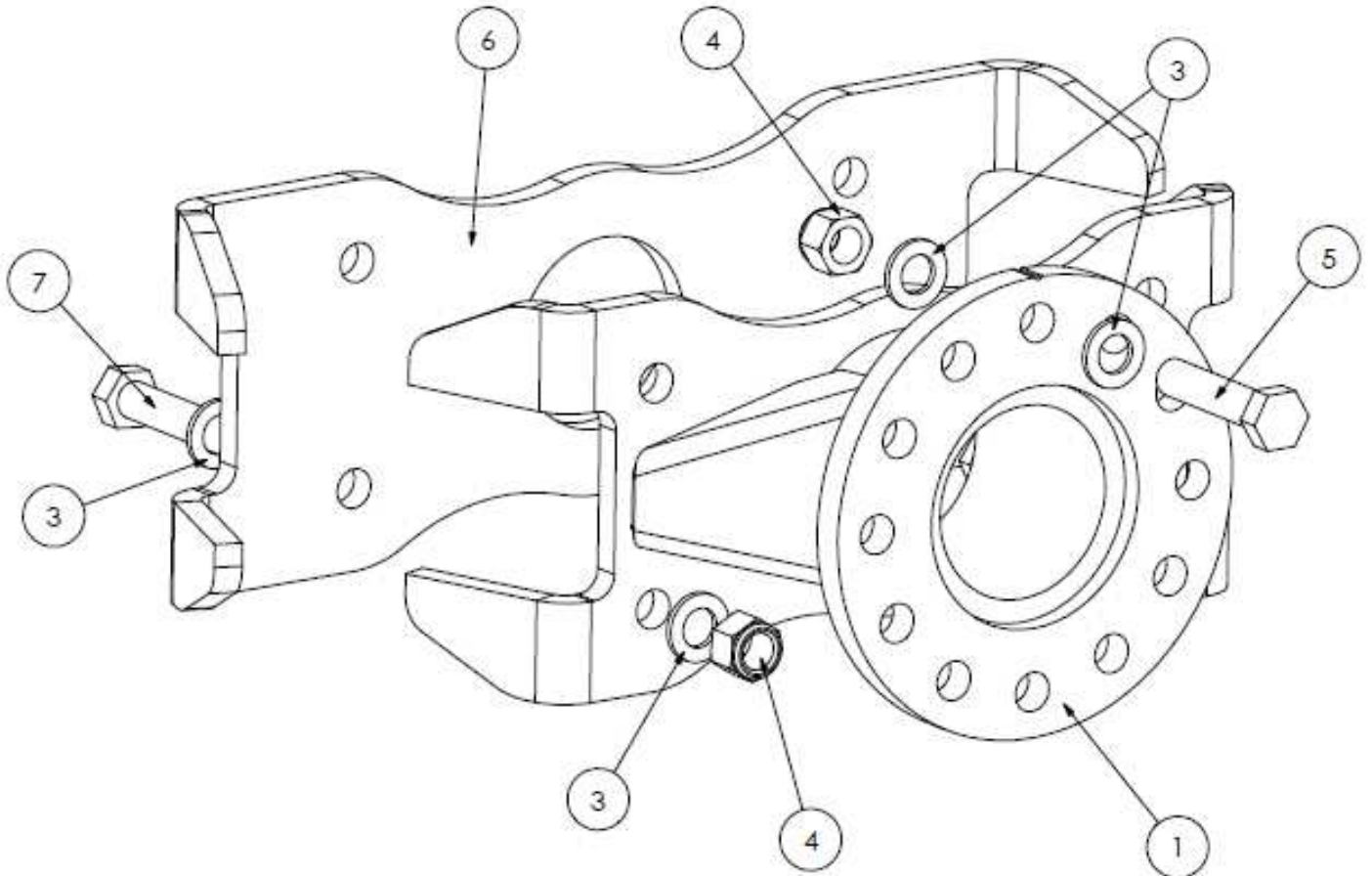
555 TIE BAR – S180032.10
600/655T TIE BAR – S180032.23
700T TIE BAR - S180032.92



REF NO.	PART NO.	QTY.	DESCRIPTION
1	1800144	1	TIE BAR 555
1	1800333	1	TIE BAR 600/655T
1	181147	1	TIE BAR 700T
2	42654.08	4	BUSH: 30X40
3	2770467	2	M6 ST GREASE NIPPLE

Spearhead TWIGA

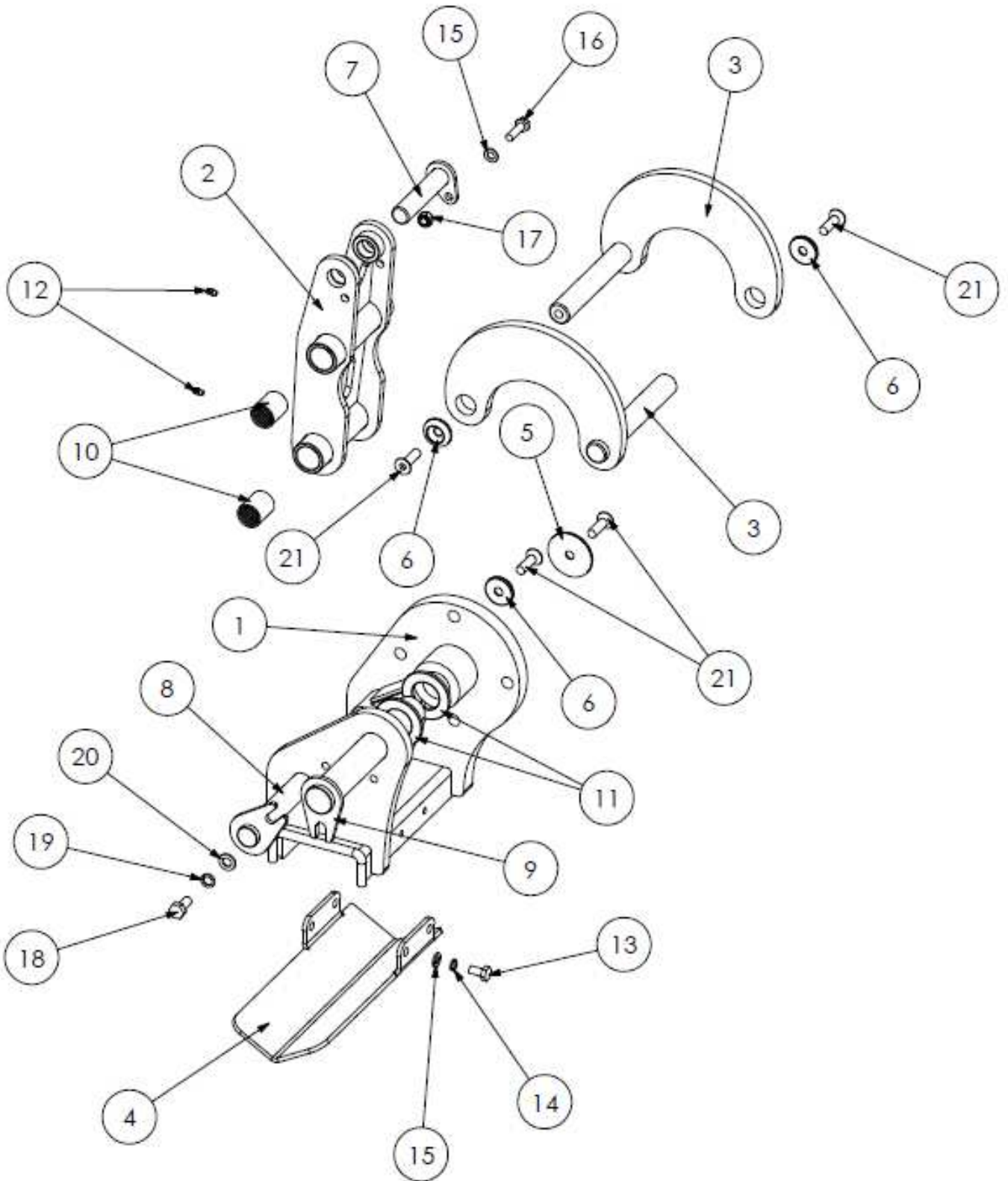
HEAD MOUNT BRACKET – S180028.II



REF NO.	PART NO.	QTY.	DESCRIPTION
1	180233	1	HEAD MOUNT BRACKET
3	2770454	16	M16 FLAT WASHER
4	2770447	8	M16 NYLOCK
5	05.291.39	4	M16 X 70 BOLT
6	181417	1	HEAD CLAMP PLATE
7	2770346	4	M16 X 140 BOLT

Spearhead TWIGA

LH HEAD CROWD BRACKET - S180032.I18



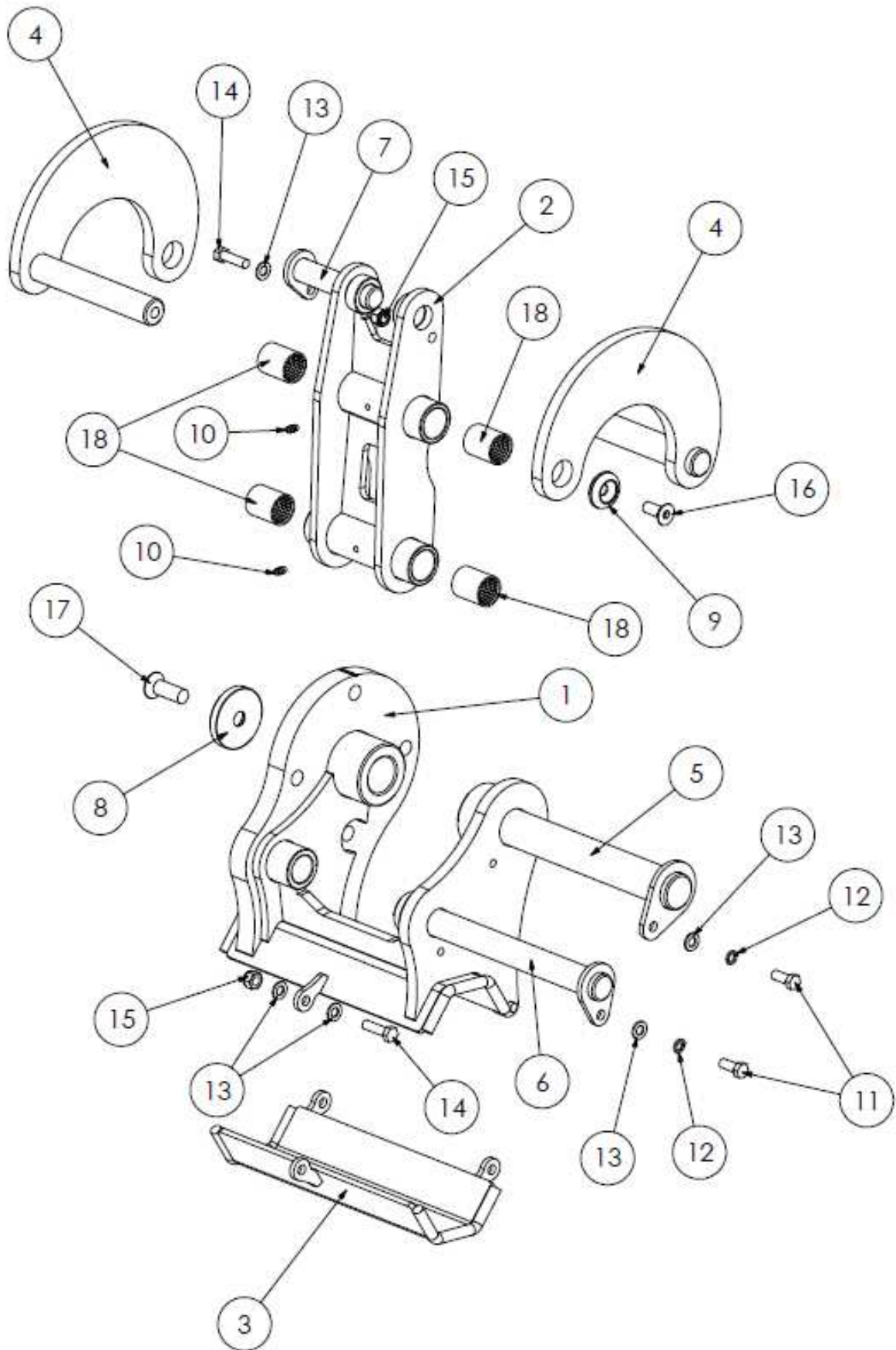
Spearhead TWIGA

LH HEAD CROWD BRACKET – S180032.I18

REF NO.	PART NO.	QTY.	DESCRIPTION
1	1777316E	1	LH BRACKET
2	180235	1	CROWD LINK
3	180714	2	CURVED LINK
4	1777879	1	HOSE CARRIER PLATE
5	1777208	1	RETAINING WASHER - 65mm
6	1777209	3	RETAINING WASHER - 40mm
7	1782127	1	PEAR PIN: 25.4 X 114 mm
8	1777914A	1	PEAR PIN: 30 X 251 mm
9	1777911A	1	PEAR PIN: 40 X 251 mm
10	42654.08	4	BUSH
11	181611	2	THRUST WASHER
12	2770467	2	M6 ST GREASE NIPPLE
13	2770418	4	M10 X 20 BOLT
14	2770469	4	M10 SPRING WASHER
15	2770434	5	M10 FLAT WASHER
16	2770396	1	M10 X 35 BOLT
17	2770412	1	M10 NYLOCK NUT
18	2770420	2	M12 X 25 BOLT
19	2770442	2	M12 SPRING WASHER
20	2770436	2	M12 FLAT WASHER
21	2770398	4	M12 X 40 SKT CSK SCREW

Spearhead TWIGA

RH HEAD CROWD BRACKET - S180032.76



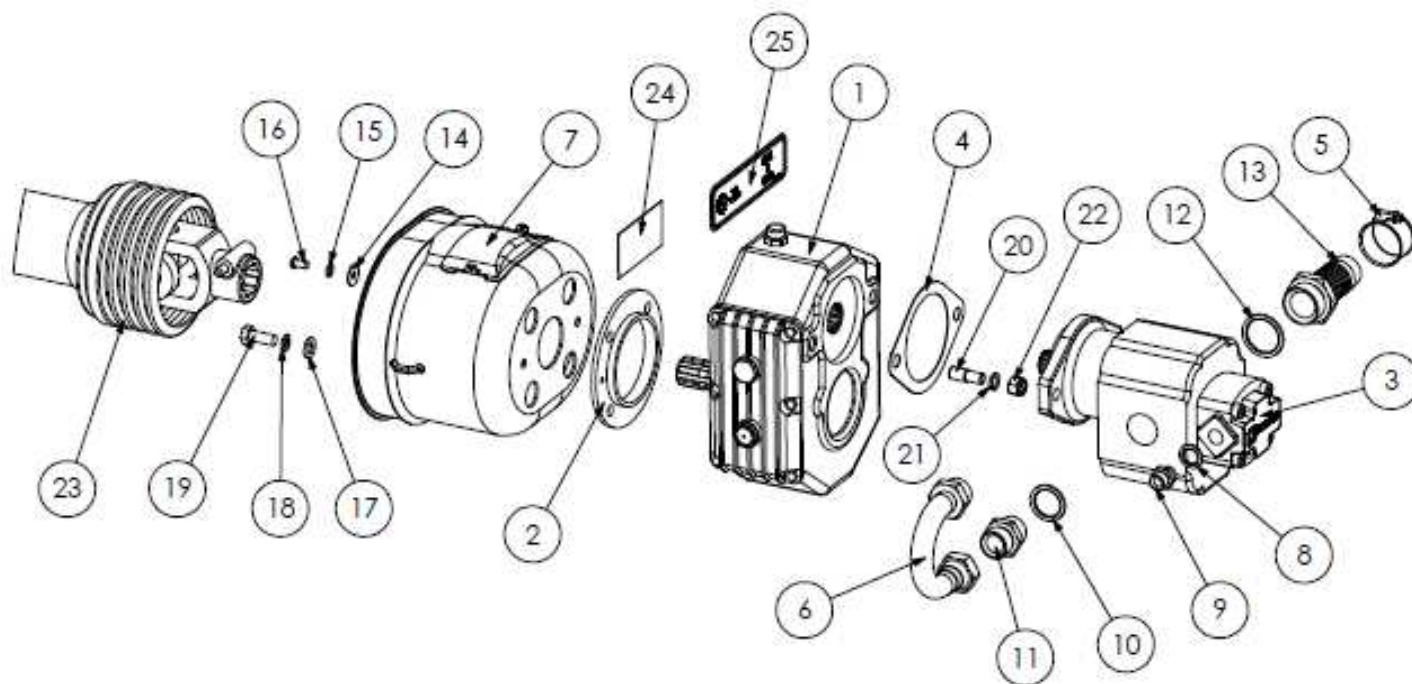
Spearhead TWIGA

RH HEAD CROWD BRACKET – S180032.76

REF NO.	PART NO.	QTY.	DESCRIPTION
1	180234	1	LH HEAD CROWD BRACKET
1	180236	1	RH HEAD CROWD BRACKET
2	180235	1	HEAD CROWD LINK
3	180225	1	HOSE TRAY
4	180714	2	CURVED LINK
5	1782088	1	PEAR PIN: 40 X 294 mm
6	1782107	1	PEAR PIN: 30 X 277 mm
7	1782127	1	PEAR PIN: 25.4 X 114 mm
8	1777850	1	RETAINING WASHER - 68mm
9	1777209	2	RETAINING WASHER - 40mm
10	2770467	2	M6 ST GREASE NIPPLE
11	2770407	2	M10 X 25 BOLT
12	2770469	2	M10 SPRING WASHER
13	2770434	5	M10 FLAT WASHER
14	2770396	2	M10 X 35 BOLT
15	2770412	2	M10 NYLOCK
16	2770506	2	M12 X 30 SKT CSK SCREW
17	2770461	1	M16 X 45 SKT CSK SCREW
18	42654.08	4	BUSH

Spearhead TWIGA

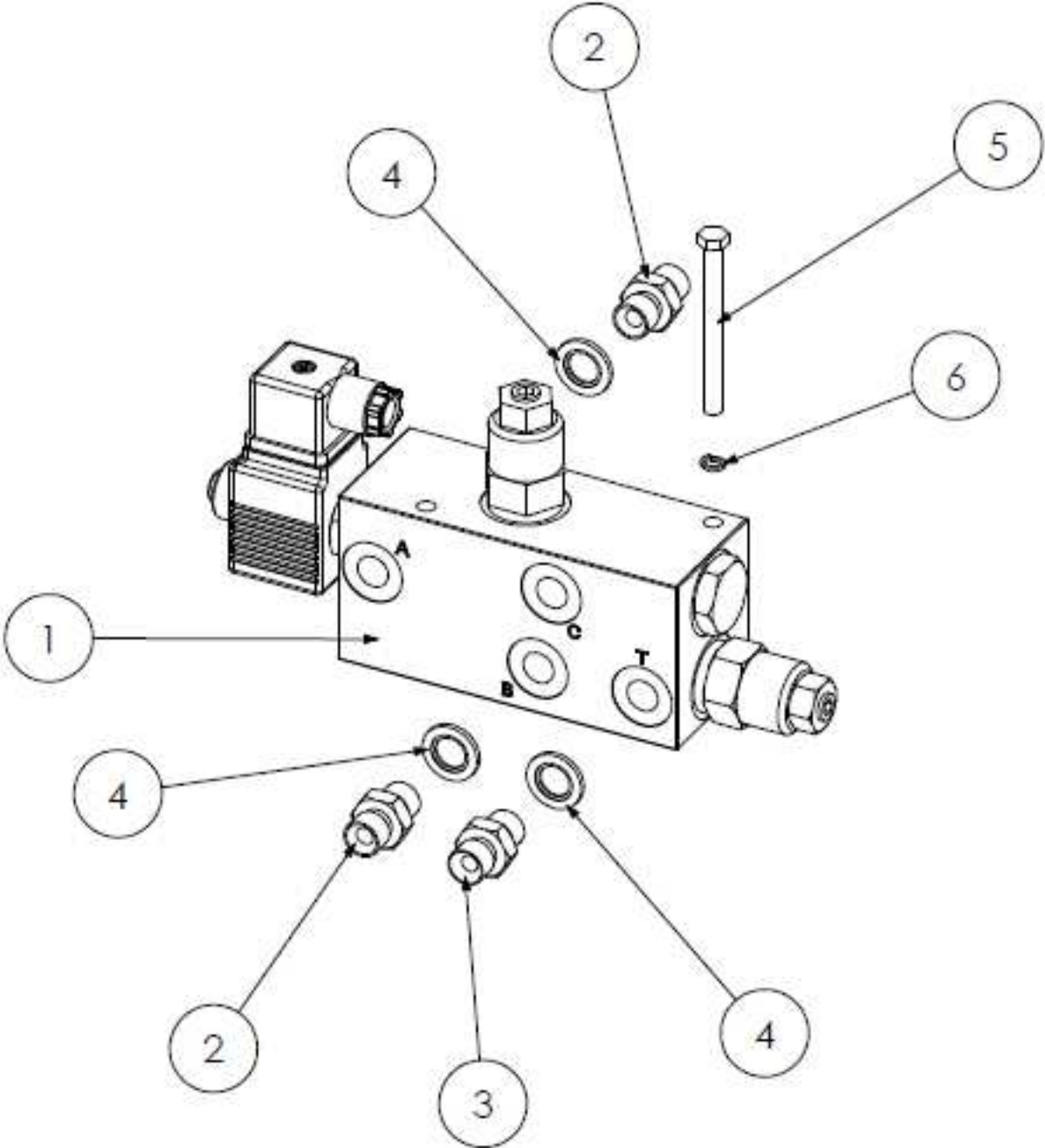
HYDRAULIC DRIVE – S180028.I3



REF NO.	PART NO.	QTY.	DESCRIPTION
1	3151080	1	GEARBOX (Pg 68)
2	1778200	1	GEARBOX SUPPORT RING
3	3151096	1	TANDEM PUMP (Pg 67)
4	3151032G	1	GASKET
5	47603.01	2	CLAMP
6	46043.01	1	U BEND
7	5770116	1	CONE
8	3260072	1	½" BONDED SEAL
9	3360088	1	3/8" X ½" M-M
10	3260074	2	1" BONDED SEAL
11	3360092	1	1" M-M ADAPTOR
12	3700226	1	1 ½" BONDED SEAL
13	3761006	1	1 ½" MALE INSERT
14	2770244	2	M8 REPAIR WASHER
15	2770433	2	M8 SPRING WASHER
16	2770370	2	M8 X 16 SKT BUTTON
17	2770436	4	M12 FLAT WASHER
18	2770442	4	M12 SPRING WASHER
19	2770420	4	M12 X 30 BOLT
20	47591.02	2	M12 X 14 STUD
21	05.283.03	2	M12 SHAKE PROOF
22	05.287.03	2	M12 V LOCK
23	5770084C	1	P.T.O. (Pg 69)
24	8770305	1	RECOMMENDED PTO DECAL
25	8770419	1	GEARBOX OIL LEVEL DECAL

Spearhead TWIGA

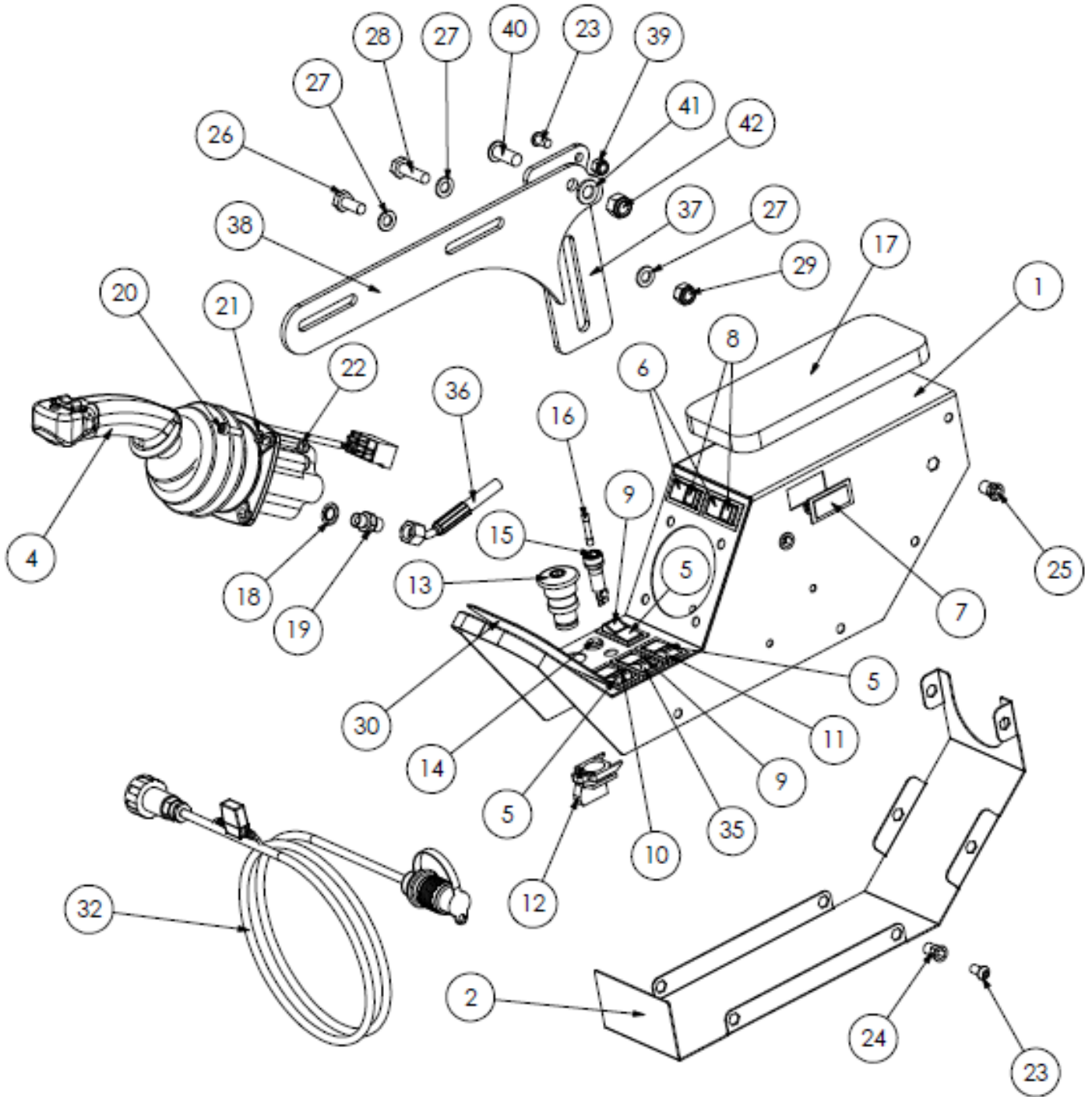
AUTO RESET VALVE ASSEMBLY – S180028.4I



REF NO.	PART NO.	QTY.	DESCRIPTION
1	3610057	1	VALVE ASSEMBLY (Pg 70)
2	3360080	6	¼" M-M
3	3360097	1	¼" M-M R1
4	3260070	7	¼" BONDED SEAL
5	30.068.93	2	M6 X 70 BOLT
6	05.282.07	2	M6 SPRING WASHER

Spearhead TWIGA

LH HYDRAULIC PROPORTIONAL CONTROLS – S180032.15
RH HYDRAULIC PROPORTIONAL CONTROLS – S180032.47



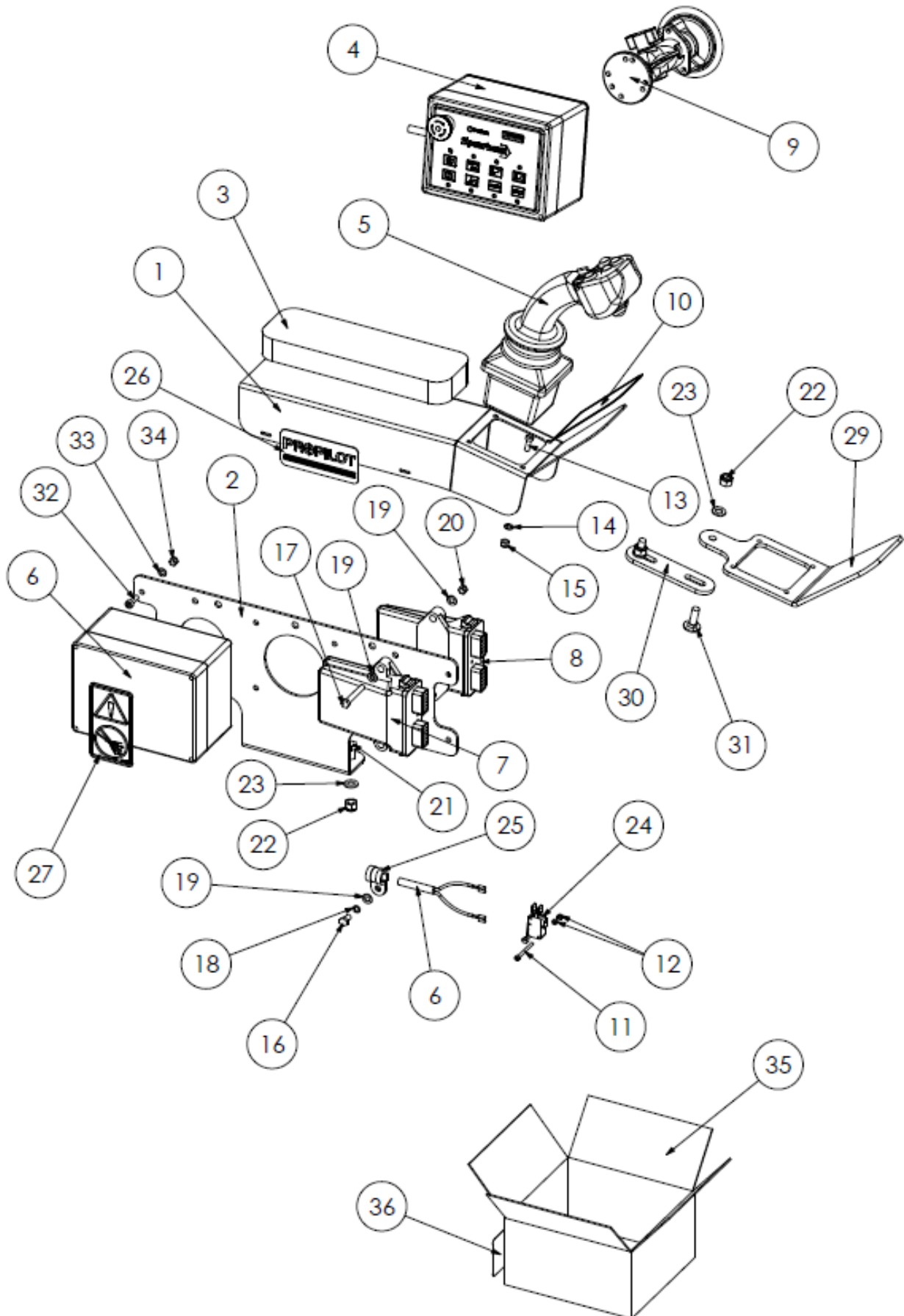
Spearhead TWIGA

LH HYDRAULIC PROPORTIONAL CONTROLS – S180032.15
RH HYDRAULIC PROPORTIONAL CONTROLS – S180032.47

REF NO.	PART NO.	QTY.	DESCRIPTION
1	1777028A	1	ARMREST
2	1777033	1	ARMREST COVER
4	3910228A	1	JOYSTICK (Pg 71)
5	3910276	3	SWITCH - ON/OFF
6	8400160	2	SWITCH - ON/OFF/ON
7	8400162	1	SWITCH BLANK
8	8400163B	2	SWITCH INSERT - BLANK
9	8400163G	2	SWITCH INSERT - GREEN
10	8400163R	1	SWITCH INSERT - RED
11	8400163Y	1	SWITCH INSERT - YELLOW
12	8400166	1	ROTOR SWITCH
13	8400167	1	ROTOR KNOB
14	8400168	1	POWER LIGHT
15	8400183	1	FUSE HOLDER
16	8400184	1	FUSE
17	5771634	1	FOAM PAD
18	3260070	6	1/4" BONDED SEAL
19	3360080	6	1/4" M-M
20	2770336	4	M6 X 25 SKT CAP BOLT
21	2771408	4	M6 FLAT WASHER
22	2770373	4	M6 NYLOCK NUT
23	2770370	9	M8 X 15 SKT BUTTON BOLT
24	2770206	8	M8 RIVNUT
25	2770202	4	M10 RIVNUT
26	2770407	2	M10 X 25 BOLT
27	2770434	6	M10 FLAT WASHER
28	2770396	2	M10 X 35 BOLT
29	2770412	2	M10 NYLOCK
30	8770456	1	LH DECAL
30	8770457	1	RH DECAL
31	8770748	1	CONTROL LOOM
32	8770712	1	POWER LEAD
33	43542.21	1	LARGE HOSE SLEEVE
34	30.058.66	12	SMALL CABLE TIE
35	8400035	1	SWITCH - OFF/ON/ON
36	3750561	1	HOSE KIT (Pg 60)
37	181284	1	SEAT BRACKET
38	181285	1	ARM REST BRACKET
39	2770416	1	M8 NYLOCK NUT
40	05.625.10	1	M12 X 30 SKT BUTTON SCREW
41	2770436	1	M12 FLAT WASHER
42	2770417	1	M12 NYLOCK NUT

Spearhead TWIGA

LH ELECTRIC PROPORTIONAL PRO PILOT CONTROLS – S180028.48
RH ELECTRIC PROPORTIONAL PRO PILOT CONTROLS – S180028.I16



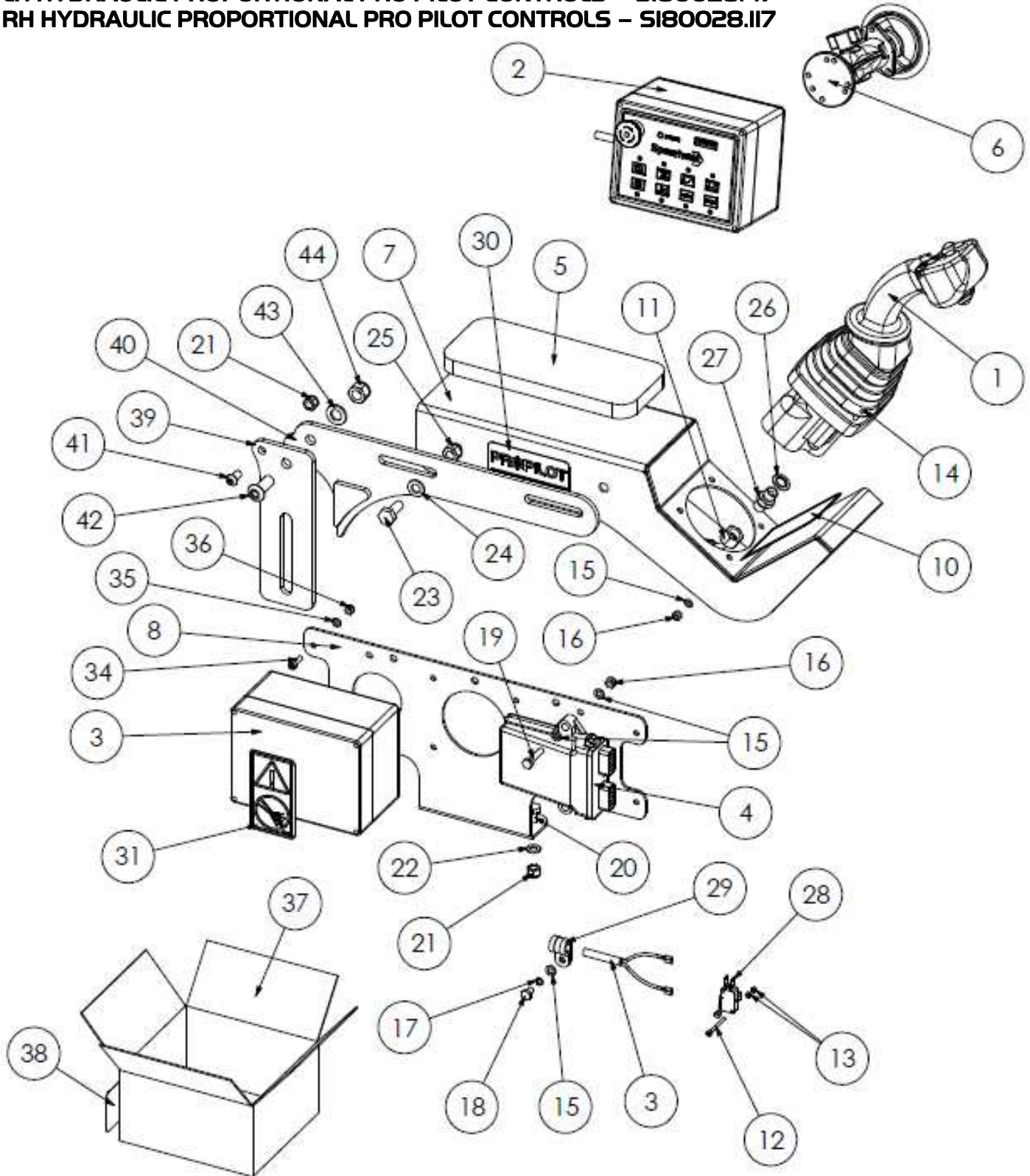
Spearhead TWIGA

LH ELECTRIC PROPORTIONAL PRO PILOT CONTROLS – S180028.48
RH ELECTRIC PROPORTIONAL PRO PILOT CONTROLS – S180028.I16

REF NO.	PART NO.	QTY. LH	QTY. RH	DESCRIPTION
1	180729	1	-	JOYSTICK ARM REST
2	180216	1	1	JUNCTION BOX BRACKET
3	22073.45	1	-	FOAM PAD
4	8770702	1	1	SWITCH BOX
5	8770737	1	1	ELECTRIC PROP JOYSTICK
6	8770772	1	1	CONTROL LOOM
7	8770746	1	1	CONTROL BOX 1
8	8770773	1	1	CONTROL BOX 2
9	22073.09	1	1	SUCTION PAD
10	8770435	1	-	LH DECAL
10	8770437	-	1	RH DECAL
11	9300108	2	2	M3 X 20 SCREW
12	2770233	4	4	M3 FULL NUT
13	9300133	4	4	M4 X 25 SCREW
14	30.074.95	4	4	M4 FLAT WASHER
15	05.948.33	4	4	M4 NYLOCK NUT
16	30.068.83	3	3	M6 X 20 BOLT
17	30.068.90	2	2	M6 X 55 BOLT
18	05.282.07	3	3	M6 SPRING WASHER
19	2771408	4	4	M6 FLAT WASHER
20	2770373	2	2	M6 NYLOCK NUT
21	2770402	2	2	M8 X 20 BOLT
22	2770416	2	4	M8 NYLOCK
23	2770432	2	4	M8 FLAT WASHER
24	3910275	1	1	SWITCH
25	3850103	3	3	P CLIP
26	8770453	2	-	PRO PILOT DECAL
27	8770454	1	1	DON'T WASH DECAL
28	30.058.66	10	10	CABLE TIE - SM
29	180228	-	1	JOYSTICK MOUNT BRACKET
30	180229	-	1	JOYSTICK MOUNT ARM
31	9293054	-	2	M8 X 25 COACH BOLT
34	9343032	4	4	M5 X 16 SKT CAP SCREW
35	2770391	4	4	M5 FLAT WASHER
36	2770394	4	4	M5 NYLOCK
37	8402701	1	1	PACKING BOX
38	1290717	1	1	DECAL

Spearhead TWIGA

LH HYDRAULIC PROPORTIONAL PRO PILOT CONTROLS – S180028.47
 RH HYDRAULIC PROPORTIONAL PRO PILOT CONTROLS – S180028.I17



REF NO.	PART NO.	QTY. LH	QTY. RH	DESCRIPTION
1	3910097	1	1	HYD PROP JOYSTICK
2	8770702	1	1	SWITCH BOX
3	8770772	1	1	LOOM
4	8770746	1	1	CONTROL BOX 1
5	5771634	1	1	FOAM PAD

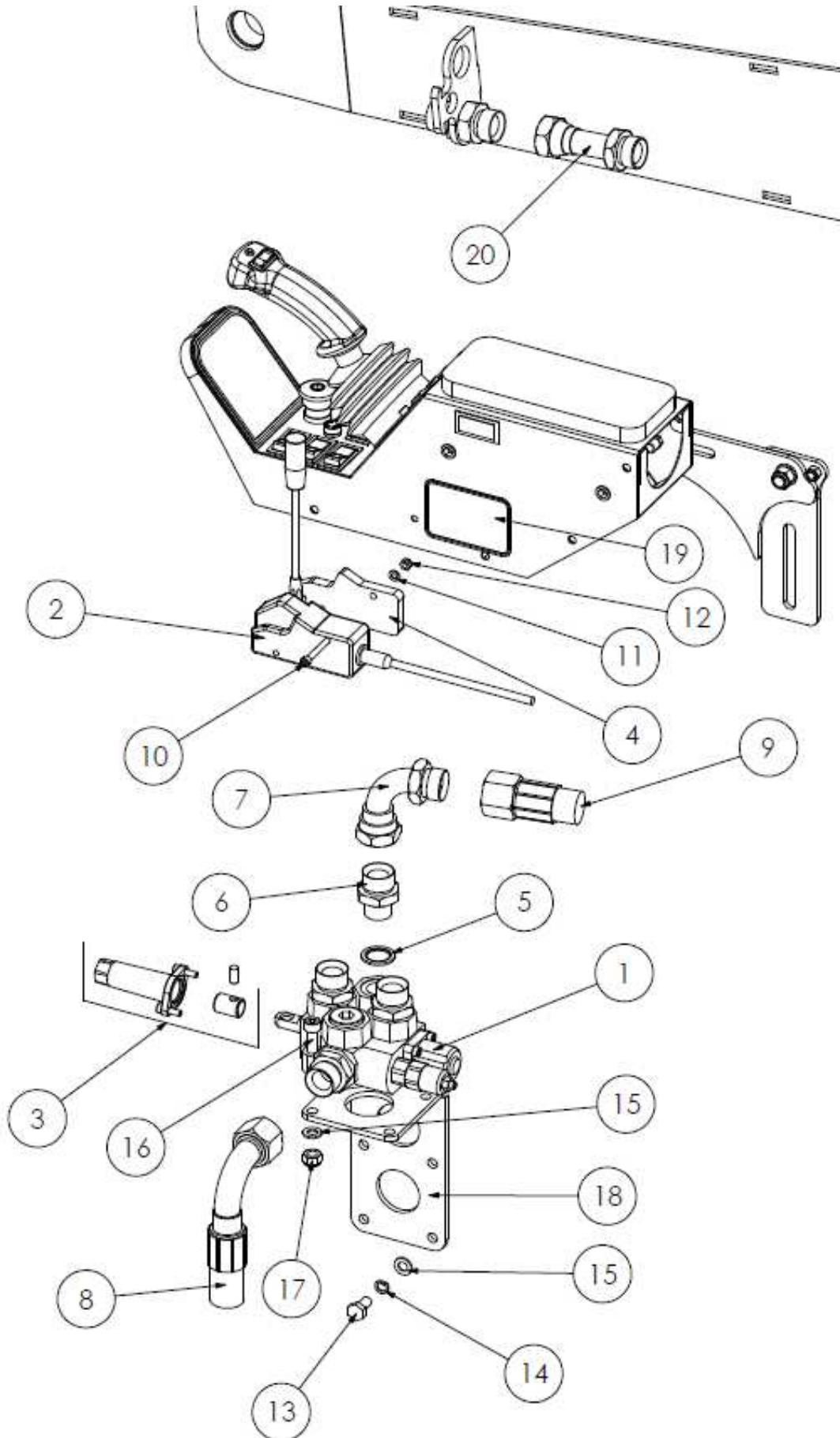
Spearhead TWIGA

LH HYDRAULIC PROPORTIONAL PRO PILOT CONTROLS – S180028.47
RH HYDRAULIC PROPORTIONAL PRO PILOT CONTROLS – S180028.I17

REF NO.	PART NO.	QTY. LH	QTY. RH	DESCRIPTION
6	22073.09	1	1	SUCTION PAD
7	180050	1	1	JOYSTICK ARM REST
8	180216	1	1	JUNCTION BOX BRACKET
10	8770435	1	-	LH DECAL
10	8770437	-	1	RH DECAL
11	3750561	1	1	CONTROL HOSE KIT
12	9300108	2	2	M3 X 20 SCREW
13	2770233	4	4	M3 FULL NUT
14	2770336	4	4	M6 X 25 SKT CAP BOLT
15	2771408	11	11	M6 FLAT WASHER
16	2770373	6	6	M6 NYLOCK
17	05.282.07	3	3	M6 SPRING WASHER
18	30.068.83	3	3	M6 X 20 BOLT
19	2770486	2	2	M6 X 30 BOLT
20	2770402	2	2	M8 X 20 BOLT
21	2770416	3	3	M8 NYLOCK
22	2770432	2	2	M8 FLAT WASHER
23	2770407	2	2	M10 X 25 BOLT
24	2770434	2	2	M10 FLAT WASHER
25	2770412	2	2	M10 NYLOCK
26	3260070	6	6	1/4" BONDED SEAL
27	3360080	6	6	1/4" M-M
28	3910275	1	1	SWITCH
29	3850103	3	3	P CLIP
30	8770452	2	2	PRO PILOT DECAL
31	8770454	1	1	DON'T WASH DECAL
32	30.058.66	8	8	CABLE TIE - SM
33	43542.21	1	1	HOSE SLEEVE: 3100mm - LRG
34	9343032	4	4	M5 X 16 SKT CAP SCREW
35	2770391	4	4	M5 FLAT WASHER
36	2770394	4	4	M5 NYLOCK
37	8402701	1	1	PACKING BOX
38	1290717	1	1	DECAL
39	181284	1	1	SEAT BRACKET
40	181285	1	1	ARM REST BRACKET
41	2770370	1	1	M8 X 15 SKT BUTTON SCREW
42	05.625.10	1	1	M12 X 30 SKT BUTTON SCREW
43	2770436	1	1	M12 FLAT WASHER
44	2770417	1	1	M12 NYLOCK NUT

Spearhead TWIGA

CABLE ROTOR VALVE ASSEMBLY – S180032.101



Spearhead TWIGA

CABLE ROTOR VALVE ASSEMBLY – S180032.I01

REF NO.	PART NO.	QTY.	DESCRIPTION
1	48033.02	1	SD14 VALVE (Pg 73)
2	47531.05	1	LEVER AND CABLE ASSEMBLY
3	47539.01	1	CABLE FITTING KIT
4	1800334	1	SPACER PLATE
5	3260073	4	3/4" BONDED SEAL
6	3360091	4	3/4"-1" M-M
7	3460109	1	1" SWEPT ELBOW
8	3760103	1	INLET HOSE - 800mm
9	3760104	1	OUTLET HOSE - 600mm
9	3760105	-	OUTLET HOSE - 390mm (OIL COOLER)
10	30.072.08	2	M6 X 65 SKT CAP BOLT
11	2771408	2	M6 FLAT WASHER
12	2770373	2	M6 NYLOCK
13	2770418	4	M10 X 20 BOLT
14	2770469	4	M10 SPRING WASHER
15	2770434	6	M10 FLAT WASHER
16	30.072.29	2	M10 X 45 SKT CAP SCREW
17	2770412	2	M10 NYLOCK
18	181293	1	BRACKET
19	8770489	1	ROTOR CONTROL DECAL
20	45527.03	1	1" RISER PIPE

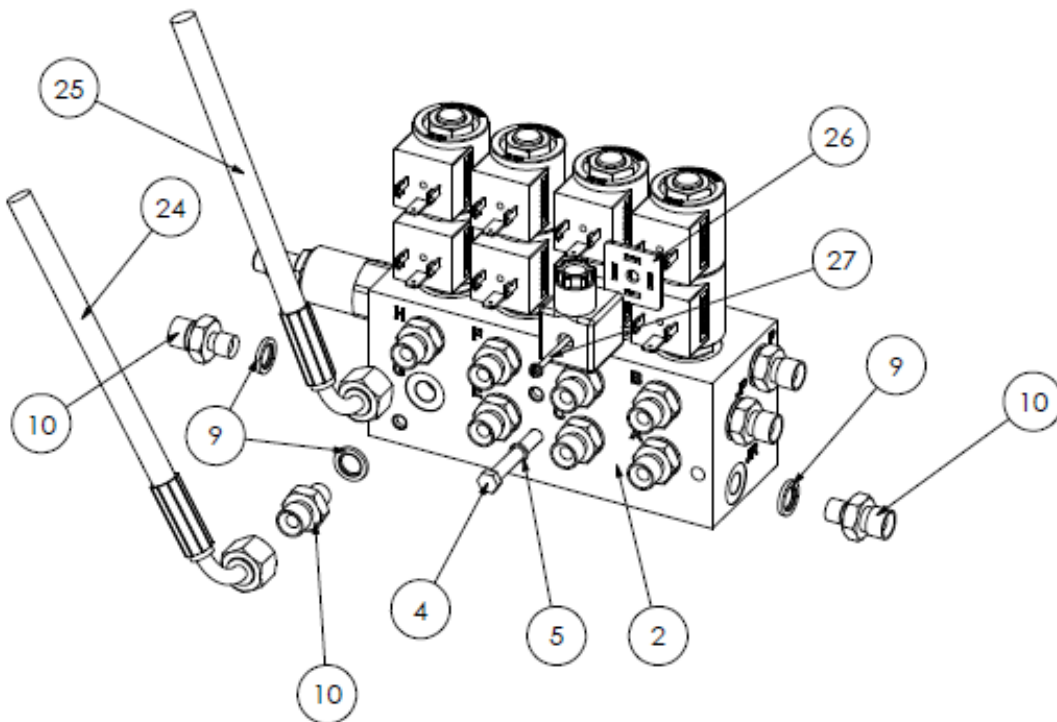
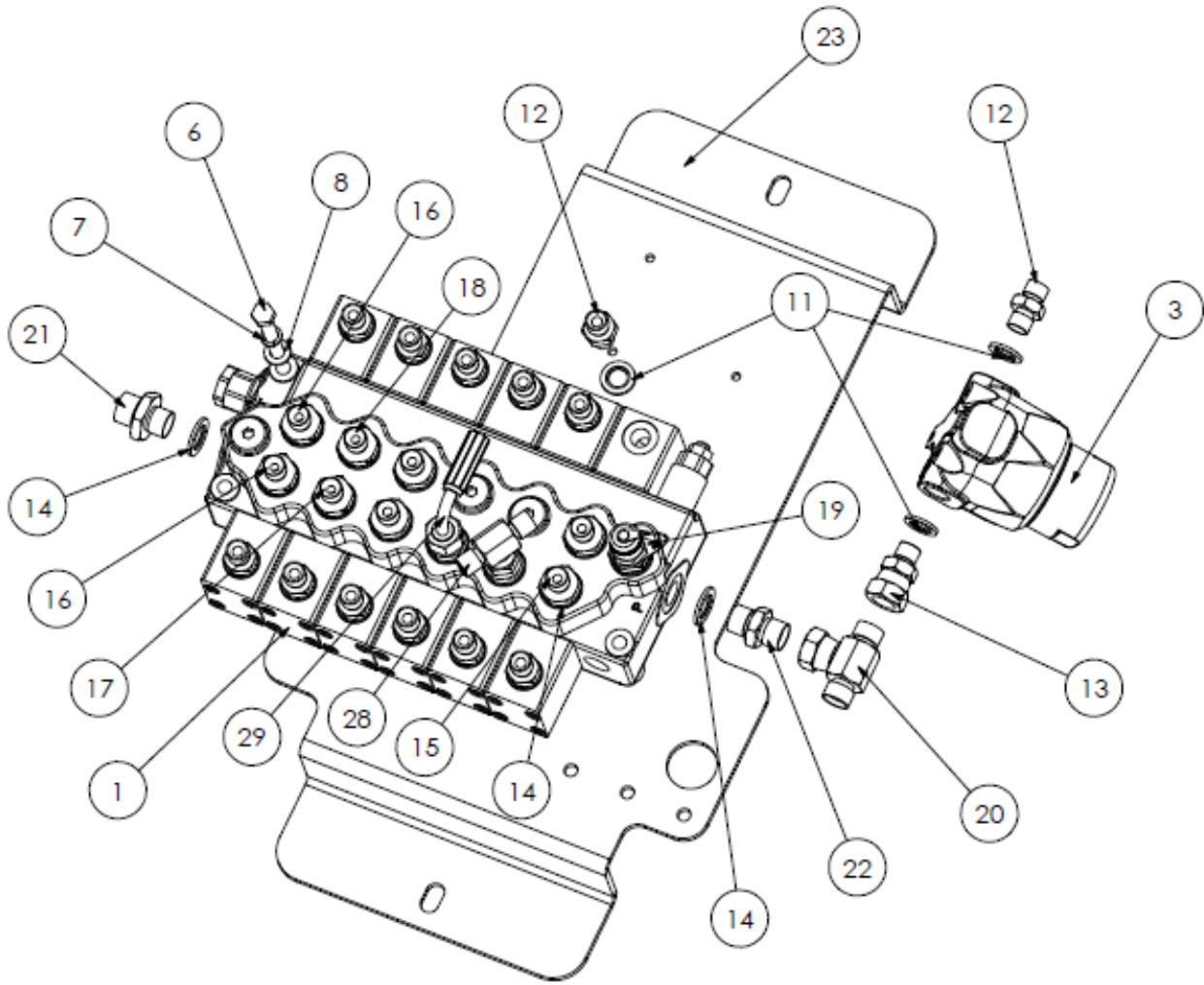
Spearhead TWIGA

CONTROL VALVE: 4 BANK – S180032.17

CONTROL VALVE: 5 BANK TELE – S180032.18

CONTROL VALVE: 5 BANK AUTOPILOT – S180032.19

CONTROL VALVE: 6 BANK TELE + AUTOPILOT – S180032.20



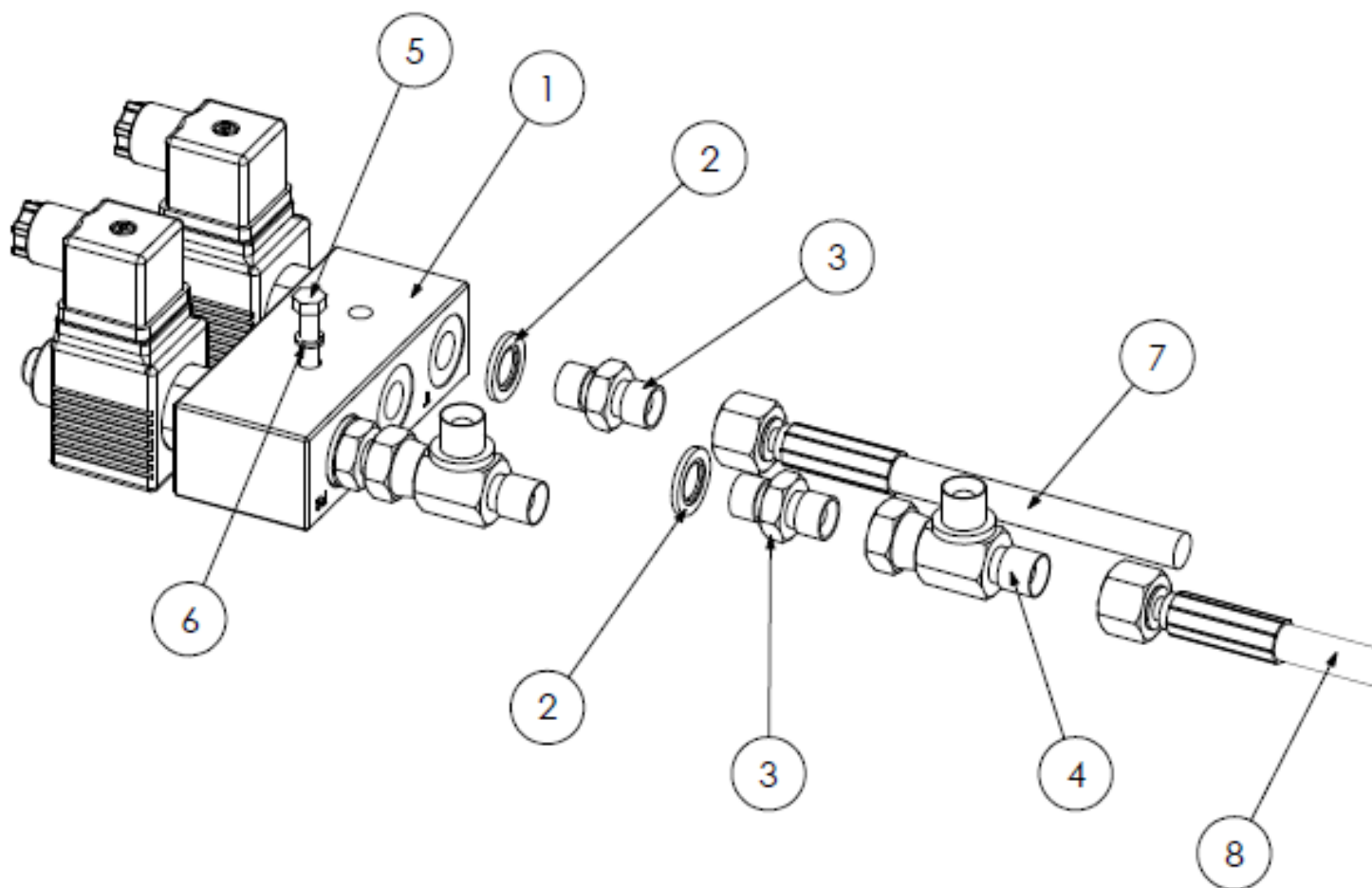
Spearhead TWIGA

CONTROL VALVE: 4 BANK – S180032.17
CONTROL VALVE: 5 BANK TELE – S180032.18
CONTROL VALVE: 5 BANK AUTOPILOT – S180032.19
CONTROL VALVE: 6 BANK TELE + AUTOPILOT – S180032.20

REF NO.	PART NO.	32.17	32.18	32.19	32.20	DESCRIPTION
1	3910295	1	-	-	-	4 BANK SD5 (Pg 72)
1	3910298	-	1	-	-	5 BANK TELE SD5 (Pg 72)
1	3910291	-	-	1	-	5 BANK AUTOPILOT SD5 (Pg 72)
1	3910269	-	-	-	1	6 BANK TELE & AUTOPILOT VALVE (Pg 72)
2	3610102	1	-	-	-	2 BANK PILOT VALVE (Pg 74)
2	3610103	-	1	1	-	3 BANK PILOT VALVE (Pg 74)
2	3610104	-	-	-	1	4 BANK PILOT VALVE (Pg 74)
3	3900081	1	1	1	1	FILTER (Pg 79)
4	30.068.93	2	2	2	2	M6 X 70 BOLT
5	05.282.07	2	2	2	2	M6 SPRING WASHER
6	2770430	2	2	2	2	M8 X 60 BOLT
7	2770433	2	2	2	2	M8 SPRING WASHER
8	2770432	2	2	2	2	M8 FLAT WASHER
9	3260069	8	10	10	12	1/8" BONDED SEAL
10	3250150	8	10	10	12	1/8"-1/4" M-M
11	3260070	10	12	12	14	1/4" BONDED SEAL
12	3360080	9	11	11	13	1/4" M-M
13	3360079	1	1	1	1	3/8" FM - 1/4" M SW
14	3260071	9	11	11	13	3/8" BONDED SEAL
15	3360083	4	6	6	8	1/4"-3/8" M-M
16	3360098	2	2	2	2	1/4"-3/8" M-M R 1.0mm
17	3360107	1	1	1	1	1/4"-3/8" M-M R 1.5mm
18	3360104	1	1	1	1	1/4"-3/8" M-M R 2.0mm
19	3360111	1	1	1	1	3/8" TEST PORT
20	3460099	1	1	1	1	3/8" M-FM-M TEE
21	3360088	1	1	1	1	3/8"-1/2" M-M
22	3360086	1	1	1	1	3/8" M-M
23	180193	1	1	1	1	VALVE MOUNT PLATE
24	3760456	-	1	1	2	LINK HOSE: 1/4" X 210mm
25	3760457	-	1	1	2	LINK HOSE: 1/4" X 410mm
26	07.835.02	4	6	6	8	HIRSCHMANN GASKET
27	07.835.03	4	6	6	8	HIRSCHMANN SCREW
28	3460101	-	-	1	1	1/4" M/M/FM TEE
29	3760123	-	-	1	1	AUTOPILOT HOSE: 1/4" X 430mm

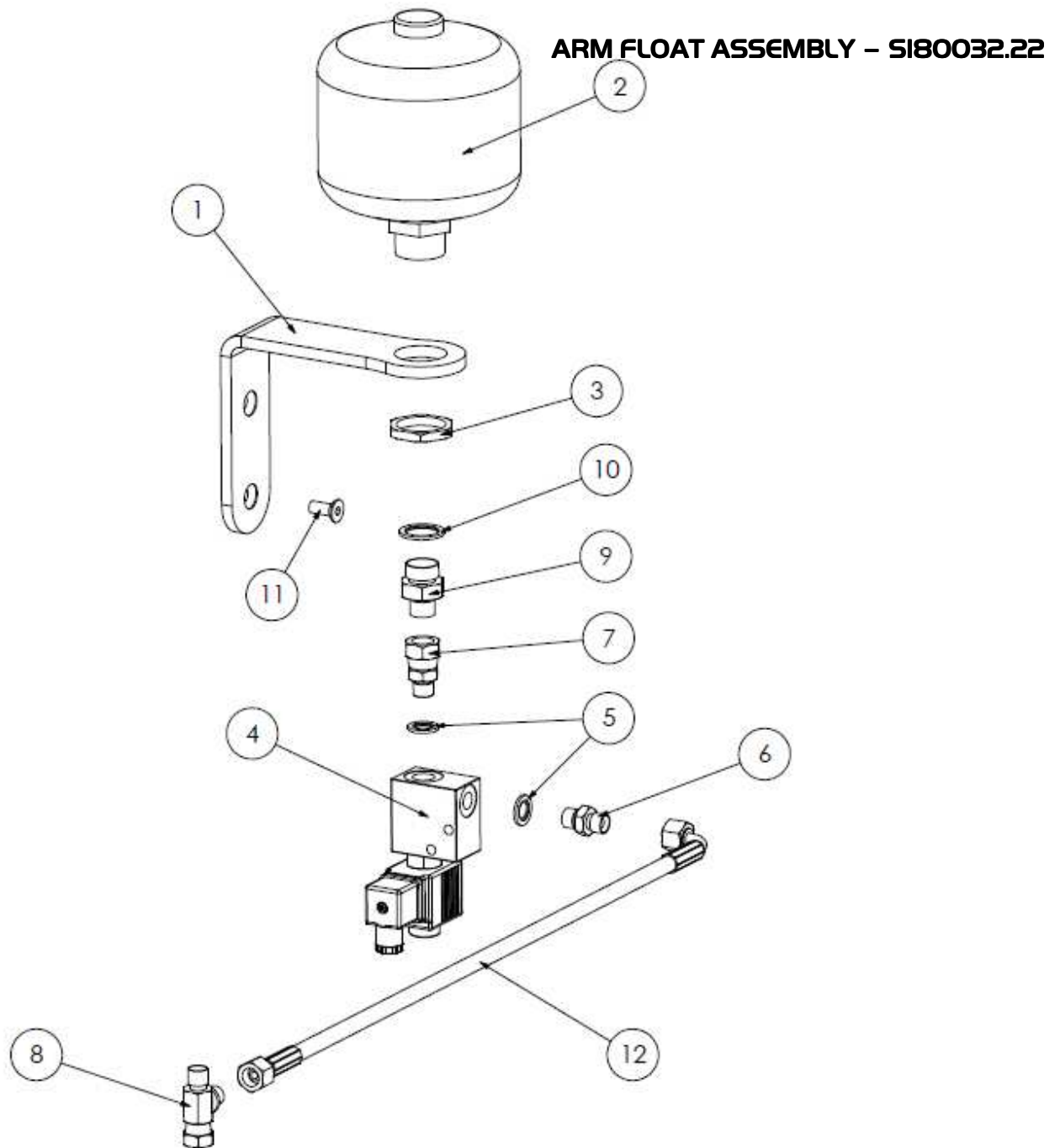
Spearhead TWIGA

HEAD FLOAT ASSEMBLY – S180032.21



REF NO.	PART NO.	QTY.	DESCRIPTION
1	3600132	1	HEAD FLOAT VALVE (Pg 75)
2	3260070	3	1/4" BONDED SEAL
3	3360080	3	1/4" M-M
4	3460300	2	1/4" FM/M/M TEE
5	2770485	2	M6 X 40 BOLT
6	05.282.07	2	M6 SPRING WASHER
7	3760121	1	HOSE: 1/4" X 1400mm
8	3760122	2	HOSE: 1/4" X 330mm

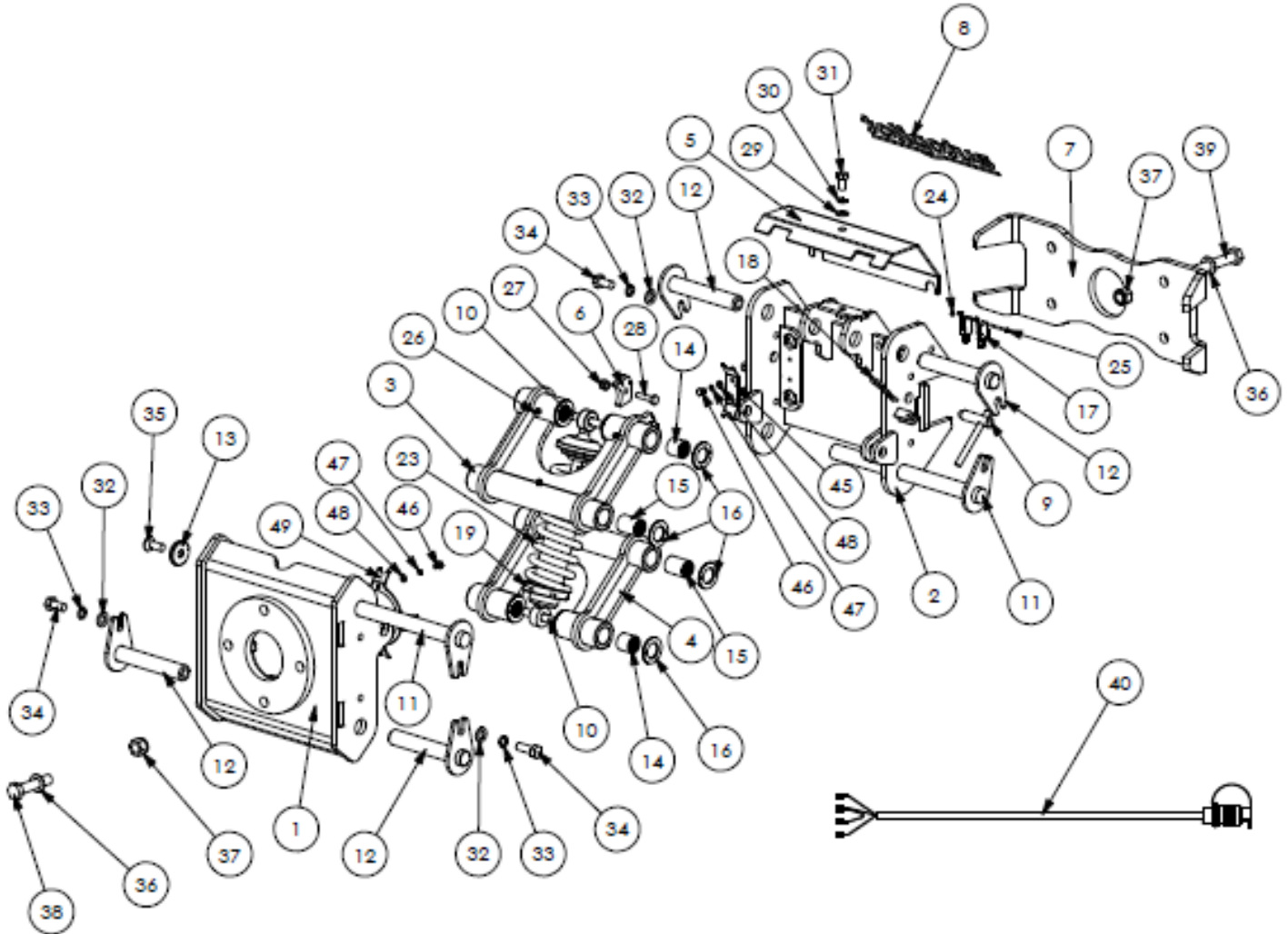
Spearhead TWIGA



REF NO.	PART NO.	QTY.	DESCRIPTION
1	180917	1	BRACKET
2	3900071	1	ACCUMULATOR BOTTLE - 32 Bar
3	8126035	1	M33 NUT
4	3610053	1	ELECTRONIC VALVE (Pg 76)
5	3260070	2	1/4" BONDED SEAL
6	3360080	1	1/4" M-M
7	3360079	1	1/4"-3/8" M-FM SW
8	3460300	1	1/4" FM/M/M TEE
9	G2410380	1	3/8"-M22 M-M
10	8650322	1	M22 BONDED SEAL
11	2770435	2	M8 X 20 CSK SCREW
12	3760129	1	HOSE

Spearhead TWIGA

AUTOPILOT - S180032.55



REF NO.	PART NO.	QTY.	DESCRIPTION
1	1777816A	1	BACK PLATE
2	1777817A	1	FRONT PLATE
3	1777818A	1	FLOAT LINK + CAM
4	1777818B	1	FLOAT LINK
5	1777748A	1	CAM GUARD

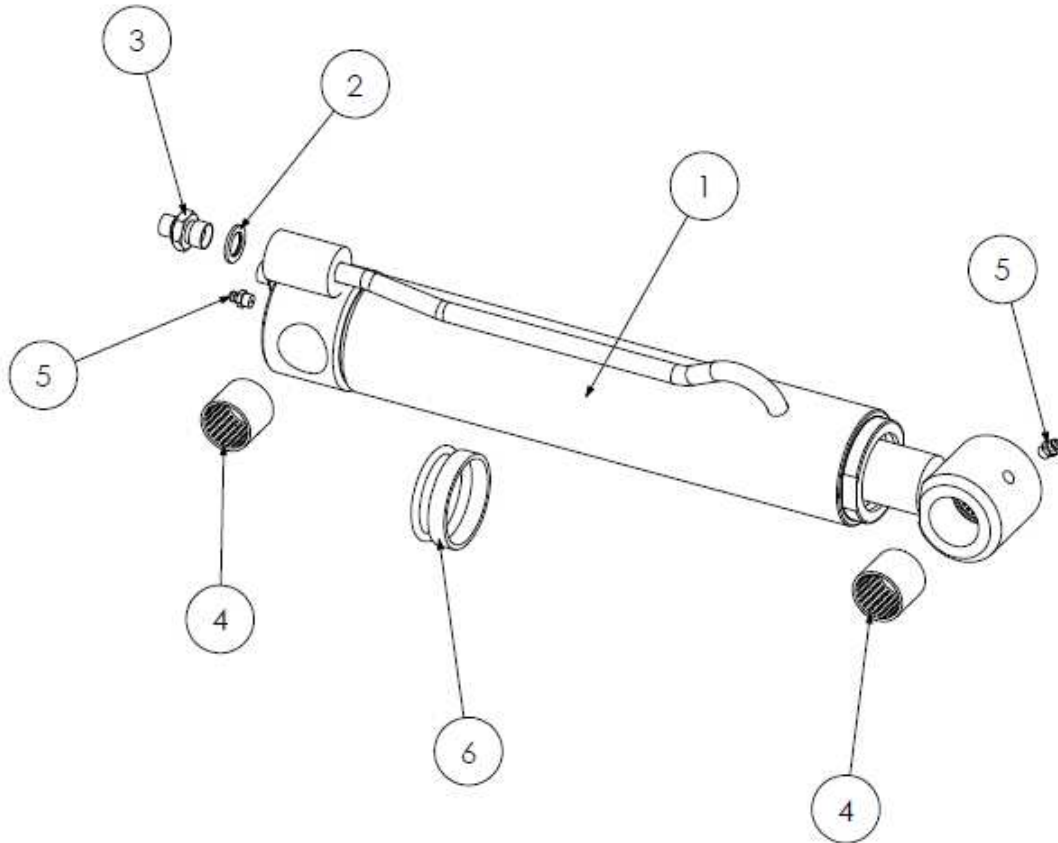
Spearhead TWIGA

AUTOPILOT – S180032.55

REF NO.	PART NO.	QTY.	DESCRIPTION
6	1777848A	1	CAM
7	181417	1	HEAD CLAMP PLATE
8	8770696	1	DECAL
9	1777749	2	LOCKING PIN
10	1777822	2	PIN
11	1777941	2	PEAR PIN: 25.4 X 310 mm
12	1777942	4	PEAR PIN: 25.4 X 145 mm
13	1777209	2	RETAINING WASHER - 40mm
14	4600417	8	BUSH - SHORT
15	4600418	4	BUSH - LONG
16	4600419	8	THRUST WASHER
17	3910275	2	SWITCH
18	6310194	2	R CLIP
19	8770600	1	SHOCK ABSORBER (Pg 78)
23	8770601	1	SPRING
24	2770233	4	M3 FULL NUT
25	2770237	2	M3 X 35 BOLT
26	2770467	6	M6 ST GREASE NIPPLE
27	2770416	1	M8 NYLOCK
28	2770488	1	M8 X 35 BOLT
29	2770434	1	M10 FLAT WASHER
30	2770469	1	M10 SPRING WASHER
31	2770407	1	M10 X 25 BOLT
32	2770436	6	M12 FLAT WASHER
33	2770442	6	M12 SPRING WASHER
34	2770484	6	M12 X 25 BOLT
35	2770506	2	M12 X 30 SKT CSK SCREW
36	2770454	8	M16 FLAT WASHER
37	2770447	8	M16 NYLOCK
38	05.291.39	4	M16 X 70 BOLT
39	2770346	4	M16 X 140 BOLT
40	8770782	1	AUTOPILOT LOOM
41	3760123	1	HOSE: 1/4" X 430mm
45	180223	2	NUT RETAINING PLATE
46	2770385	8	M6 X 10 BOLT
47	05.282.07	8	M6 SPRING WASHER
48	2771408	8	M6 FLAT WASHER
49	181378	1	NUT RETAINING RING

Spearhead TWIGA

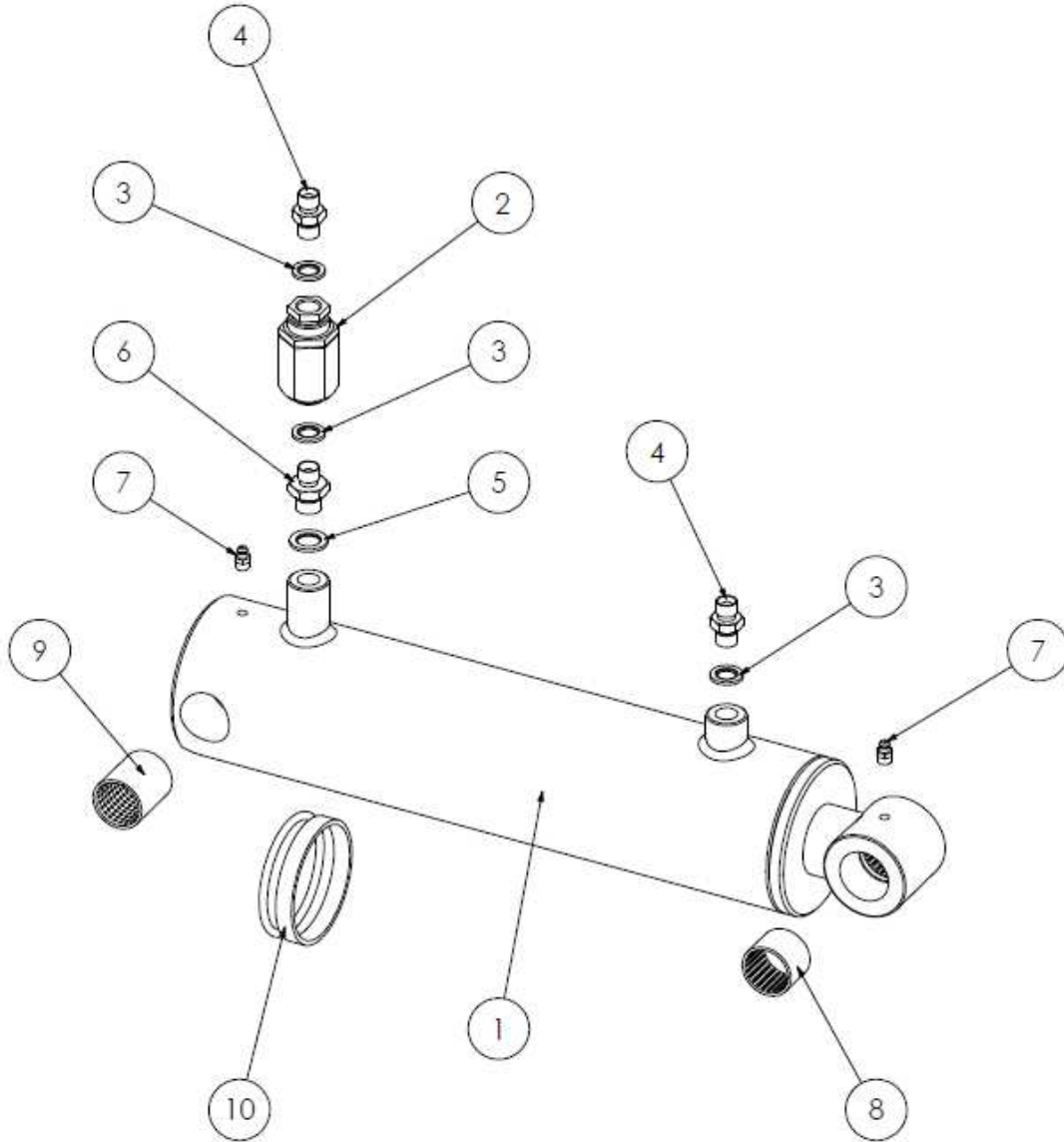
FORWARD REACH RAM – S180032.25



REF NO.	PART NO.	QTY.	DESCRIPTION
1	3580691	1	FORWARD REACH RAM
2	3260071	2	3/8" BONDED SEAL
3	3360083	2	3/8" M - 1/4" M ADAPTOR
4	42654.01	4	BUSH
5	01.070.04	2	1/8" GREASE NIPPLE
6	42664.08	1	SEAL KIT

Spearhead TWIGA

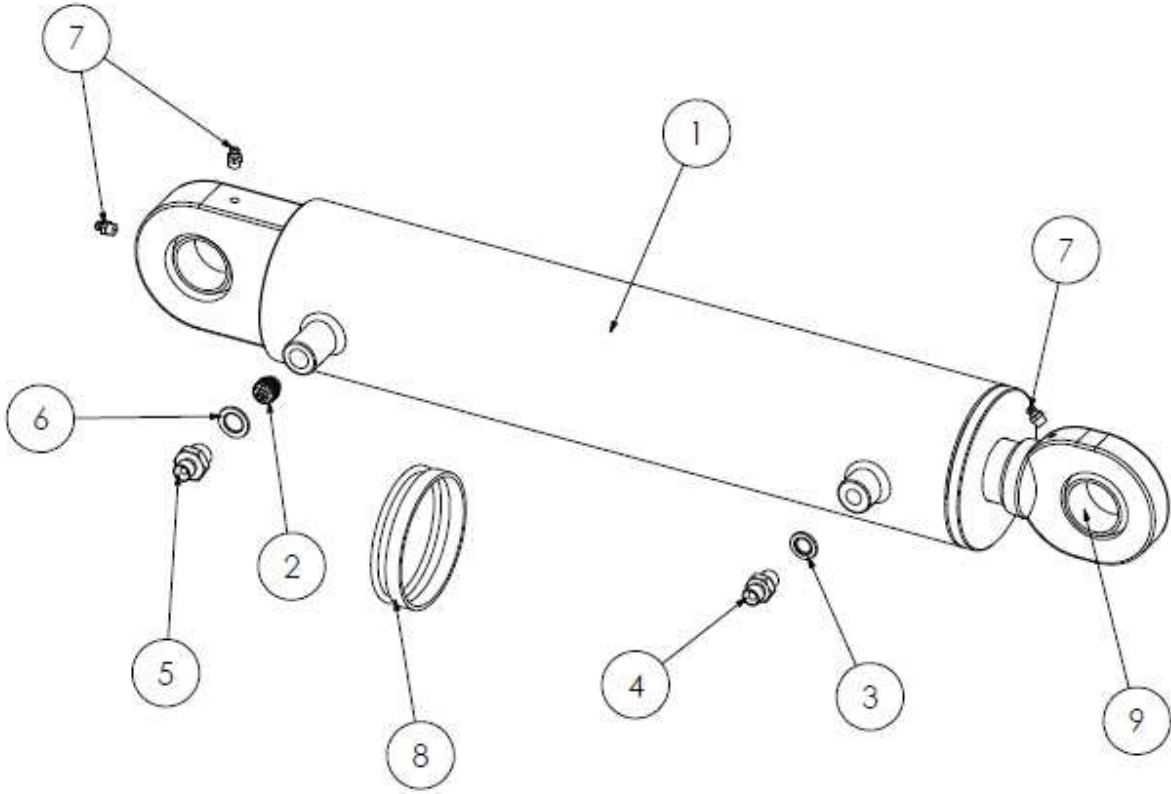
SLEW RAM – S180032.26



REF NO.	PART NO.	QTY.	DESCRIPTION
1	3580666	1	SLEW RAM
2	3900010	1	VARIABLE RESTRICTOR
3	3260070	3	1/4" BONDED SEAL
4	3360080	2	1/4" M-M ADAPTOR
5	3260071	1	3/8" BONDED SEAL
6	3360083	1	3/8" M - 1/4" M ADAPTOR
7	01.070.04	2	1/8 ST GREASE NIPPLE
8	4600412	2	BUSH
9	4600414	2	BUSH
10	3570667HP	1	SEAL KIT

Spearhead TWIGA

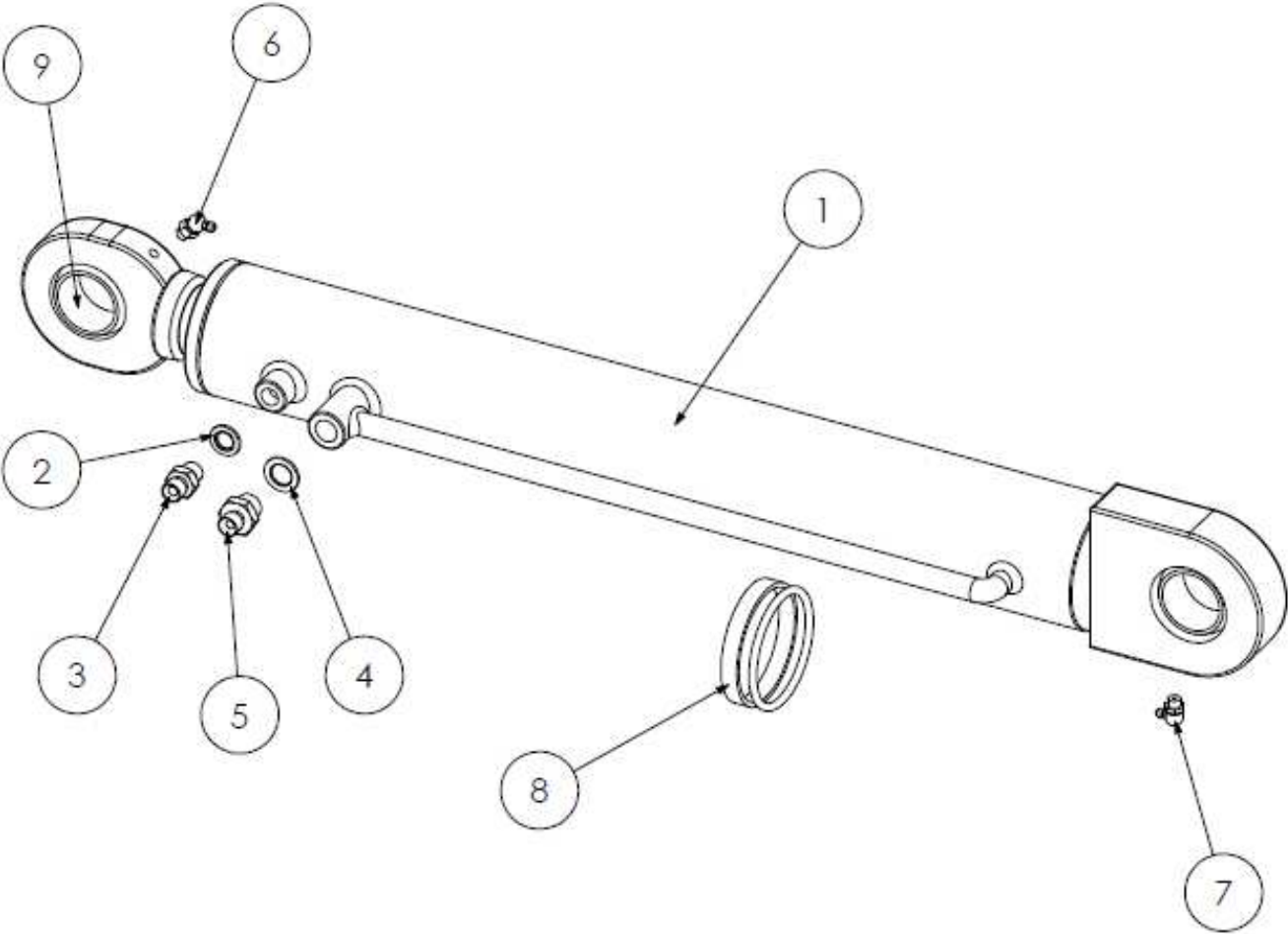
LIFT RAM – S180032.27



REF NO.	PART NO.	QTY.	DESCRIPTION
1	3580660B	1	LIFT RAM
2	3600118	1	HOSE BURST
3	3260070	1	1/4" BONDED SEAL
4	3360080	1	1/4" M-M ADAPTOR
5	3360083	1	3/8" M - 1/4" M ADAPTOR
6	3260071	1	3/8" BONDED SEAL
7	01.070.01	3	1/8 ST GREASE NIPPLE
8	3570668HP	1	SEAL KIT
9	3580660B.01	1	WELD ON BALL END

Spearhead TWIGA

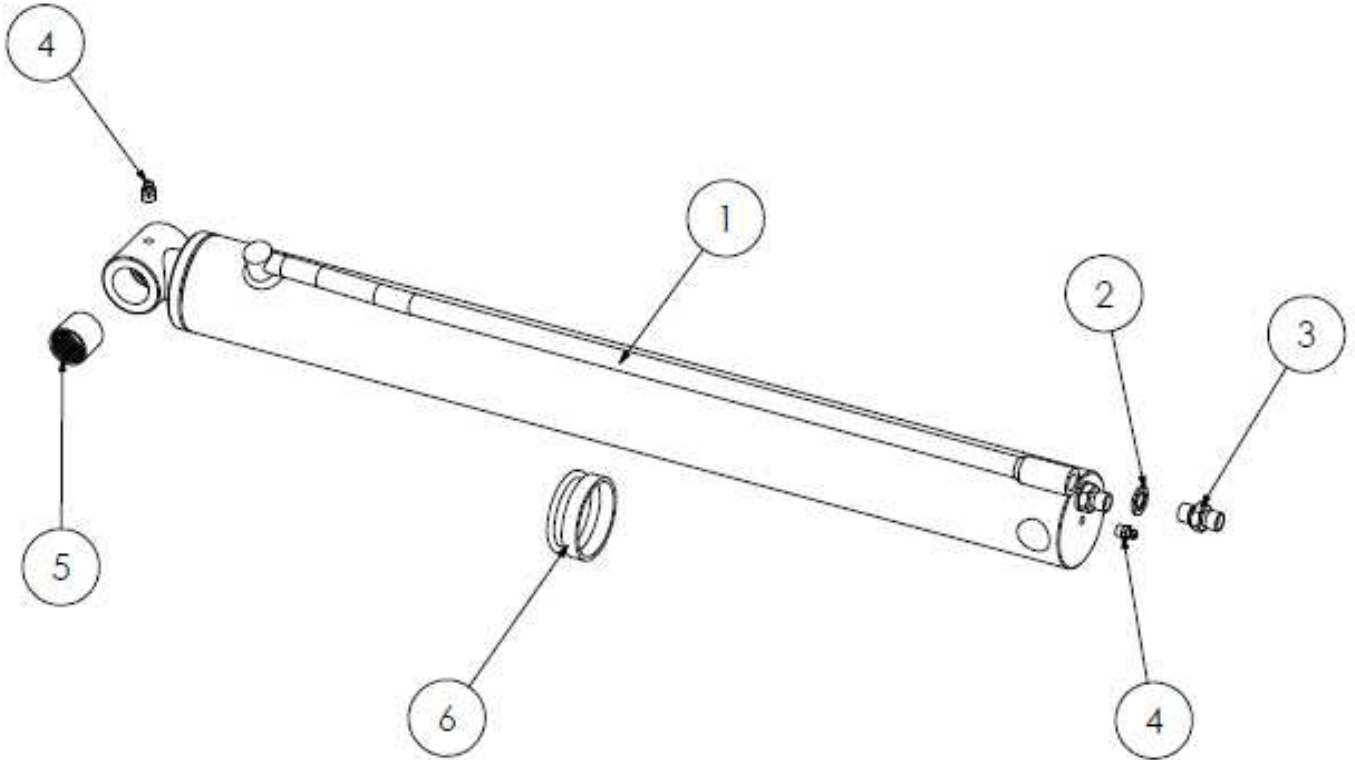
DIPPER RAM – S180032.28



REF NO.	PART NO.	QTY.	DESCRIPTION
1	3580640H	1	DIPPER RAM
2	3260070	1	1/4" BONDED SEAL
3	3360080	1	1/4" M-M ADAPTOR
4	3260071	1	3/8" BONDED SEAL
5	3360083	1	3/8" M - 1/4" M ADAPTOR
6	2770462	1	M6 45° GREASE NIPPLE
7	2770502	1	M6 90° GREASE NIPPLE
8	3580640H.01	1	SEAL KIT
9	3580660B.01	1	WELD ON BALL END

Spearhead TWIGA

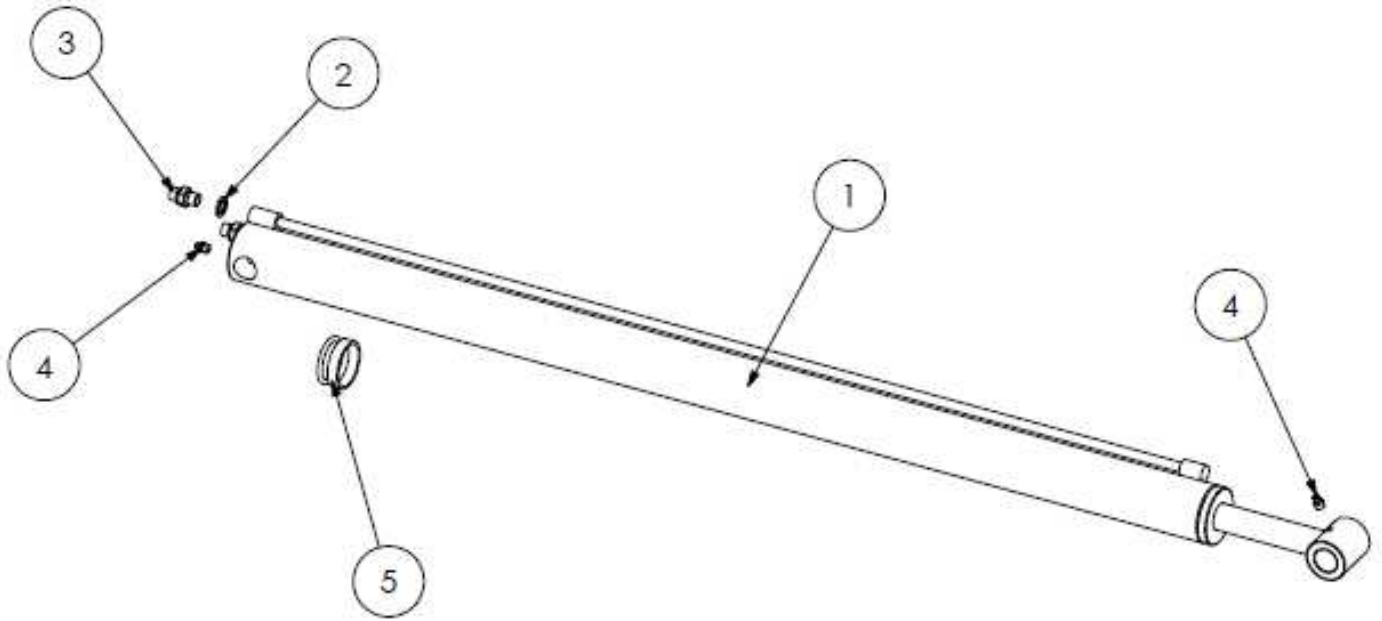
HEAD RAM – S180032.29



REF NO.	PART NO.	QTY.	DESCRIPTION
1	3580636	1	HEAD RAM
2	3260070	2	1/4" BONDED SEAL
3	3360080	2	1/4" M-M ADAPTOR
4	01.070.04	2	1/8 ST GREASE NIPPLE
5	4600413	2	BUSH
6	3570666HP	1	SEAL KIT

Spearhead TWIGA

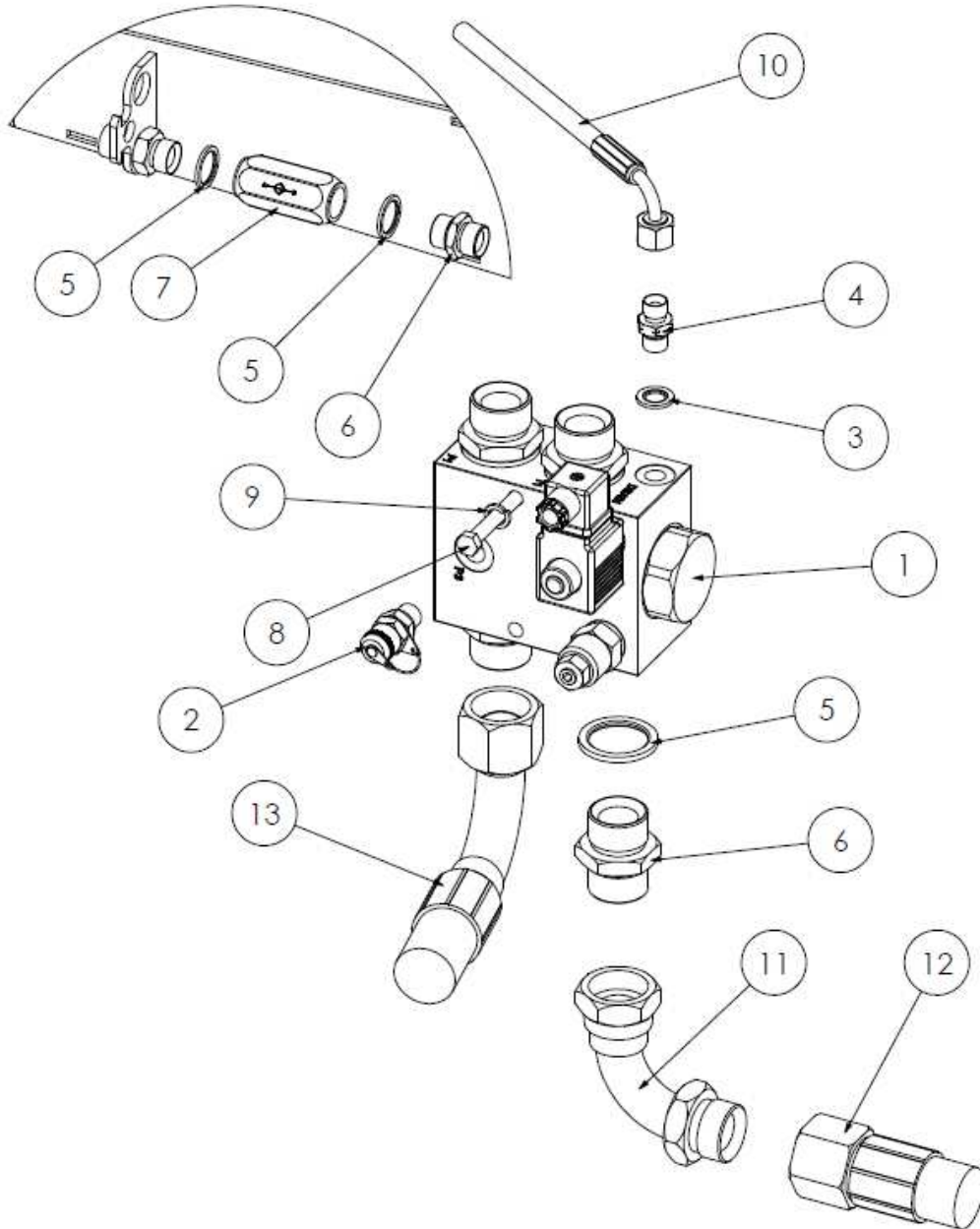
TELE RAM – S180032.30



REF NO.	PART NO.	QTY.	DESCRIPTION
1	3580653A	1	TELE RAM
2	3260070	2	1/4" BONDED SEAL
3	3360080	2	1/4" M-M ADAPTOR
4	01.070.04	2	1/8 ST GREASE NIPPLE
5	3570665HP	1	SEAL KIT

Spearhead TWIGA

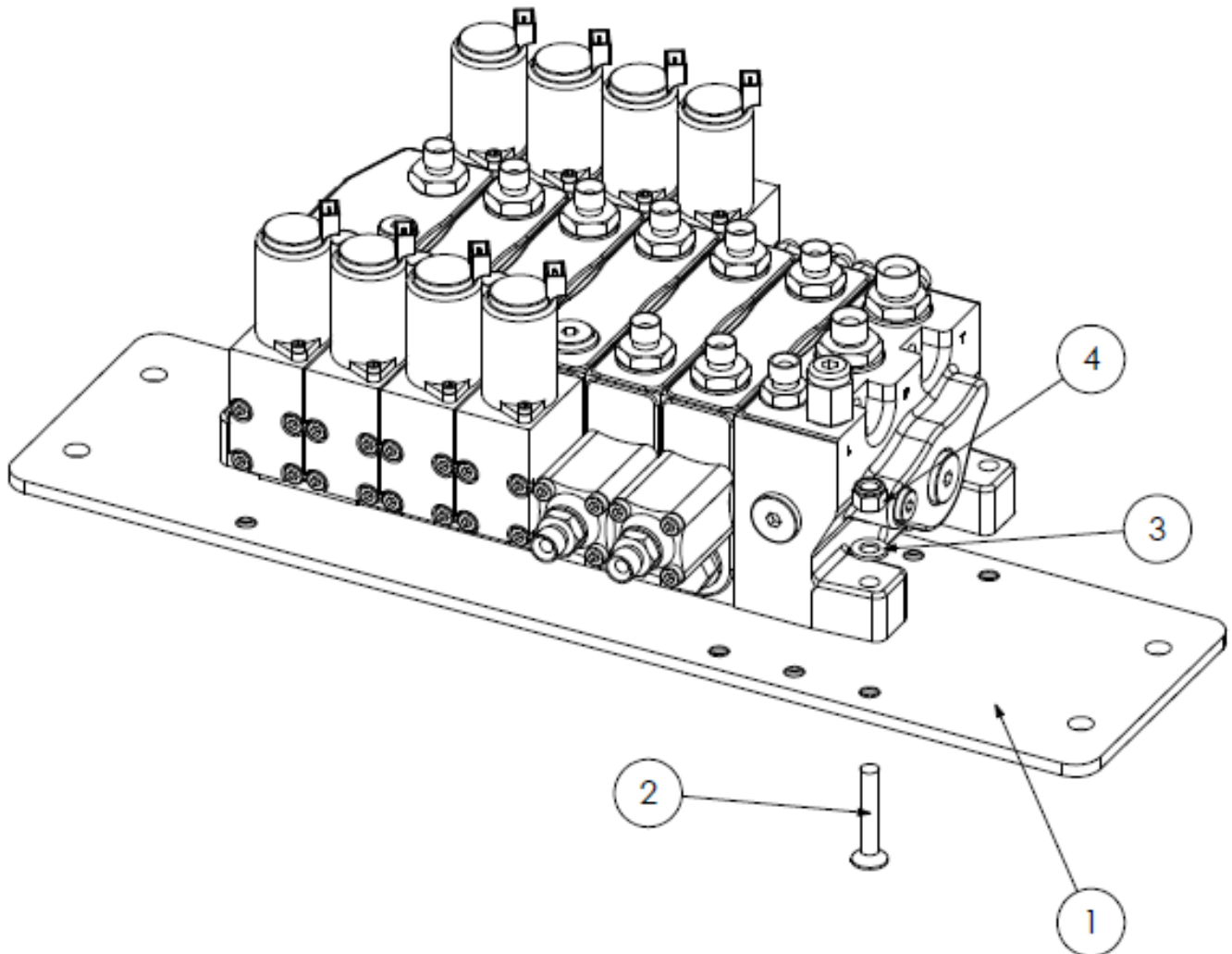
ELECTRIC ROTOR VALVE ASSEMBLY - S180032.I03



REF NO.	PART NO.	QTY.	DESCRIPTION
1	3600099A	1	ROTOR VALVE (Pg 77)
2	3360110	1	1/4" TEST PORT
3	3260070	1	1/4" BONDED SEAL
4	3360100	1	1/4" M-M R1.5 ADAPTOR
5	3360092	6	1" M-M ADAPTOR
6	3260074	5	1" BONDED SEAL
7	3600089	1	CHECK VALVE
8	2772289	2	M8 X 80 BOLT
9	2770433	2	M8 SPRING WASHER
10	3760127	1	HOSE: 1/4" X 2000mm
11	3460109	1	1" 90 SWEPT ELBOW
12	3760103	1	OUTLET HOSE - 800mm
13	3760104	1	INLET HOSE - 600mm

Spearhead TWIGA

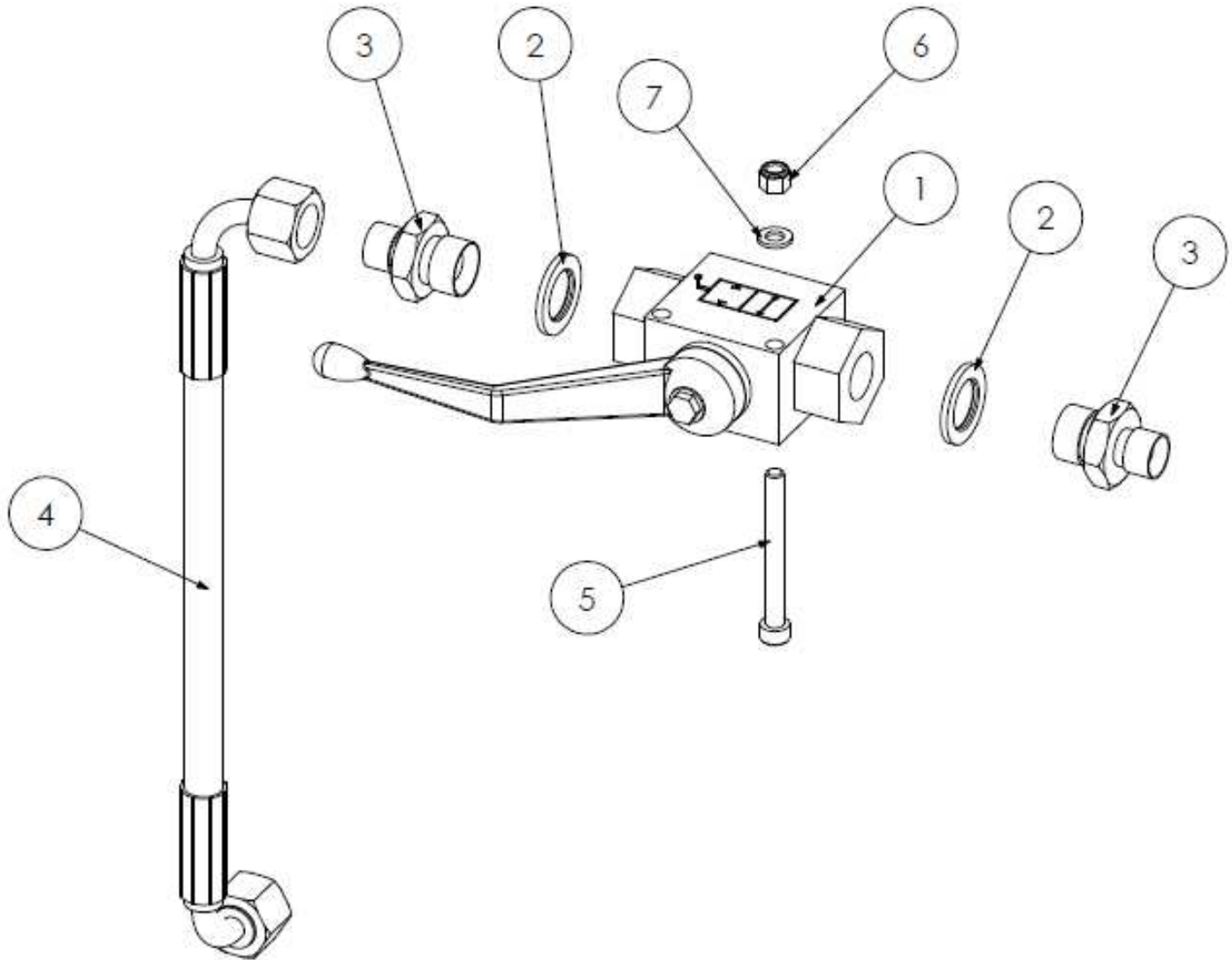
SDS100 VALVE MOUNTING PLATE - S180032.65



REF NO.	PART NO.	QTY.	DESCRIPTION
1	180192	1	MOUNT PLATE
2	2770637	4	M8 X 45 SKT CSK SCREW
3	2770432	4	M8 FLAT WASHER
4	2770416	4	M8 NYLOCK

Spearhead TWIGA

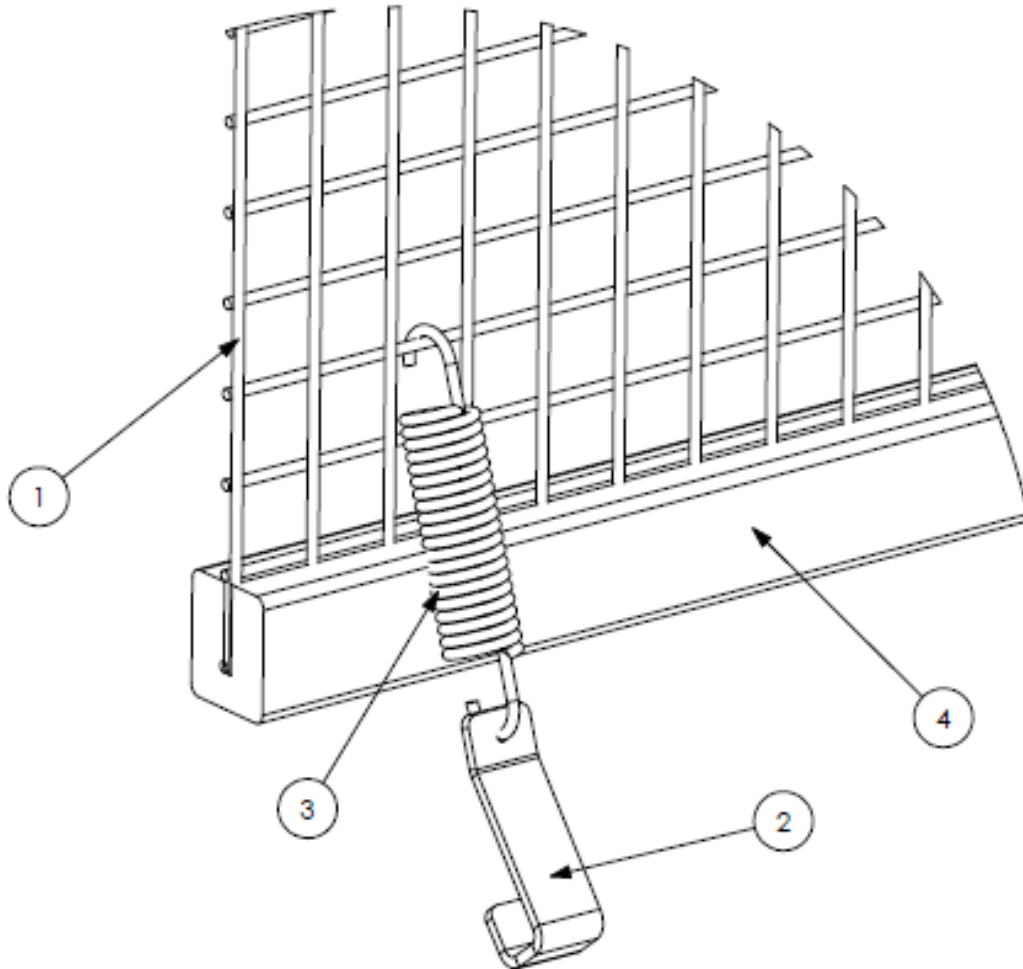
LIFT RAM SHUT OFF VALVE - 5180028.86



REF NO.	PART NO.	QTY.	DESCRIPTION
1	3600129	1	2 WAY BALL VALVE
2	3260071	2	3/8" BONDED SEAL
3	3360083	2	1/4"-3/8" M-M
4	3760116	1	1/4" HOSE - 250mm
5	9243102	2	M5 X 50 SKT CAP SCREW
6	2770394	2	M5 NYLOCK
7	2770391	2	M5 FLAT WASHER
8	8770416	1	DECAL

Spearhead TWIGA

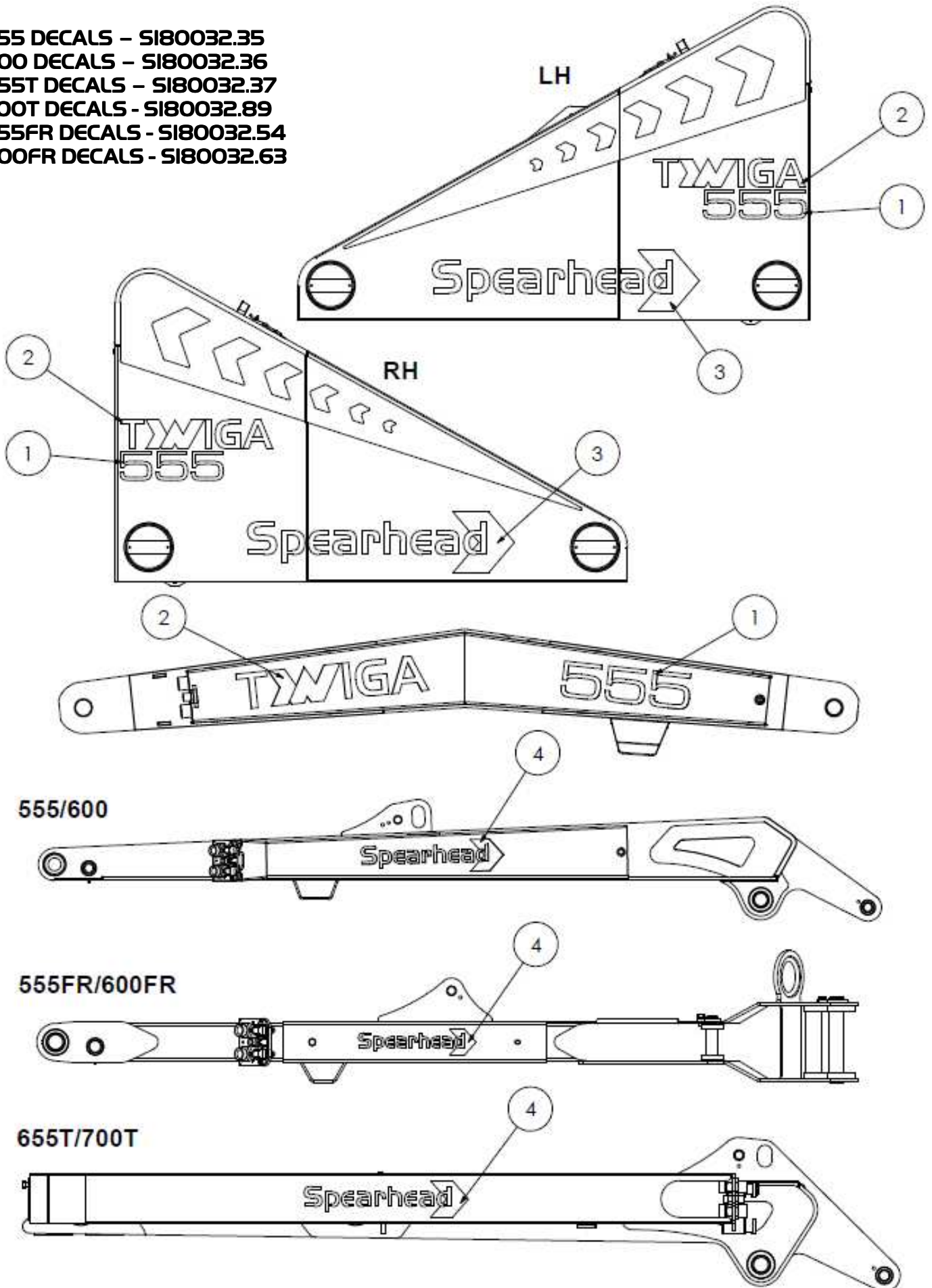
CAB GUARD KIT – S180028.53



REF NO.	PART NO.	QTY.	DESCRIPTION
	OPT0603	1	CAB GUARD KIT
1	1777140	2	MESH PANEL
2	41745.01	10	HOOK
3	6310209	10	SPRING
4	8550134	1	FOAM - 5M

Spearhead TWIGA

- 555 DECALS - S180032.35
- 600 DECALS - S180032.36
- 655T DECALS - S180032.37
- 700T DECALS - S180032.89
- 555FR DECALS - S180032.54
- 600FR DECALS - S180032.63



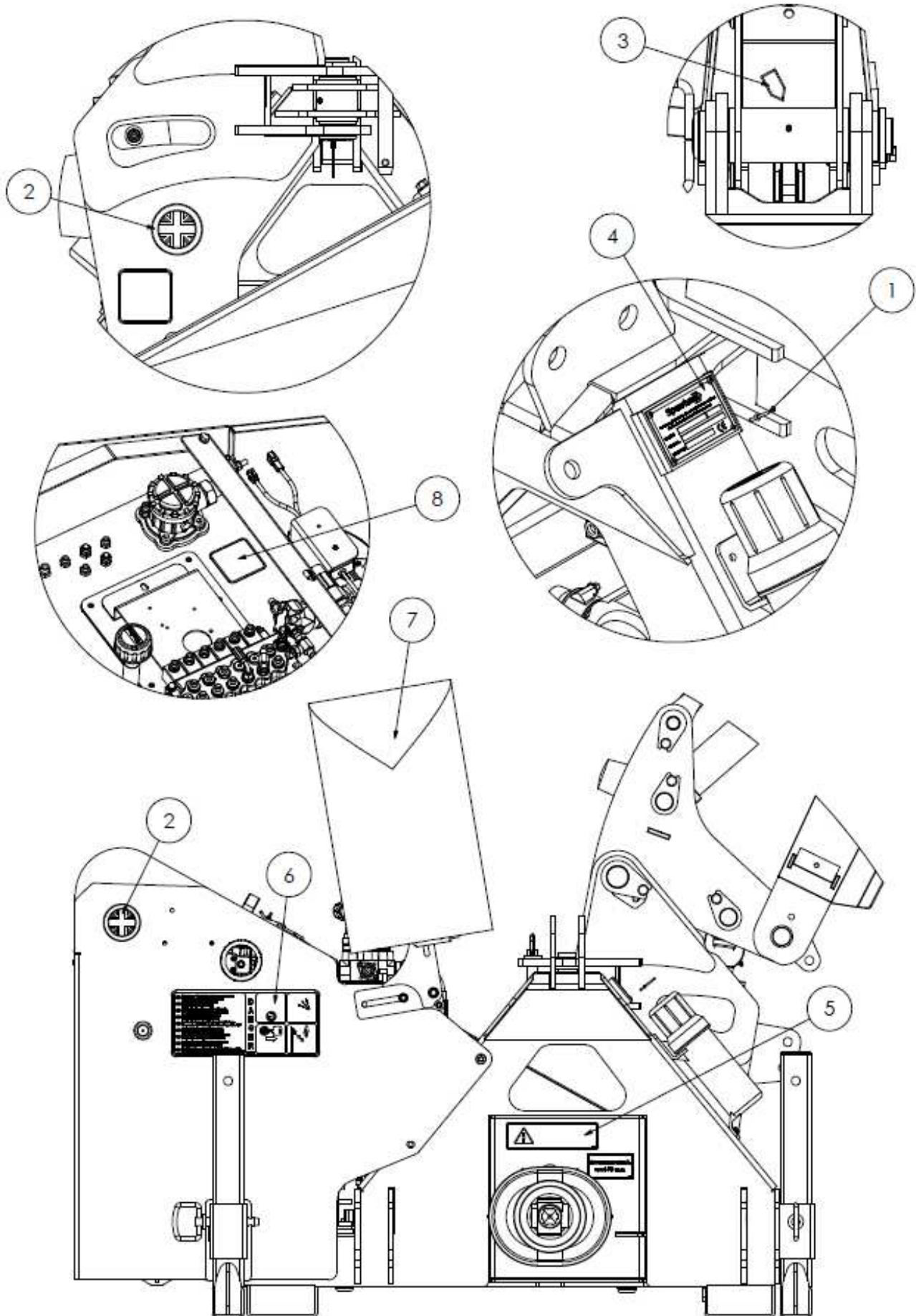
Spearhead TWIGA

555 DECALS – SI80032.35
600 DECALS – SI80032.36
655T DECALS – SI80032.37
700T DECALS – SI80032.89
555FR DECALS – SI80032.54
600FR DECALS – SI80032.63

REF NO.	PART NO.	555	600	655T	700T	555FR	600FR	DESCRIPTION
1	8770423	2	-	-	-	-	-	555 DECAL
1	8770424	-	2	-	-	-	-	600 DECAL
1	8770432	-	-	2	-	-	-	655T DECAL
1	8770408	-	-	-	2	-	-	700T DECAL
1	8770429	-	-	-	-	2	-	555FR DECAL
1	8770433	-	-	-	-	-	2	600FR DECAL
2	8770376	2	2	2	2	2	2	TWIGA DECAL
3	8770371	1	1	1	1	1	1	SPEARHEAD DECAL
4	8770374	1	1	1	1	-	-	SPEARHEAD DECAL
4	8770338	-	-	-	-	1	1	SPEARHEAD DECAL

Spearhead TWIGA

SAFETY DECALS – S180032.I16



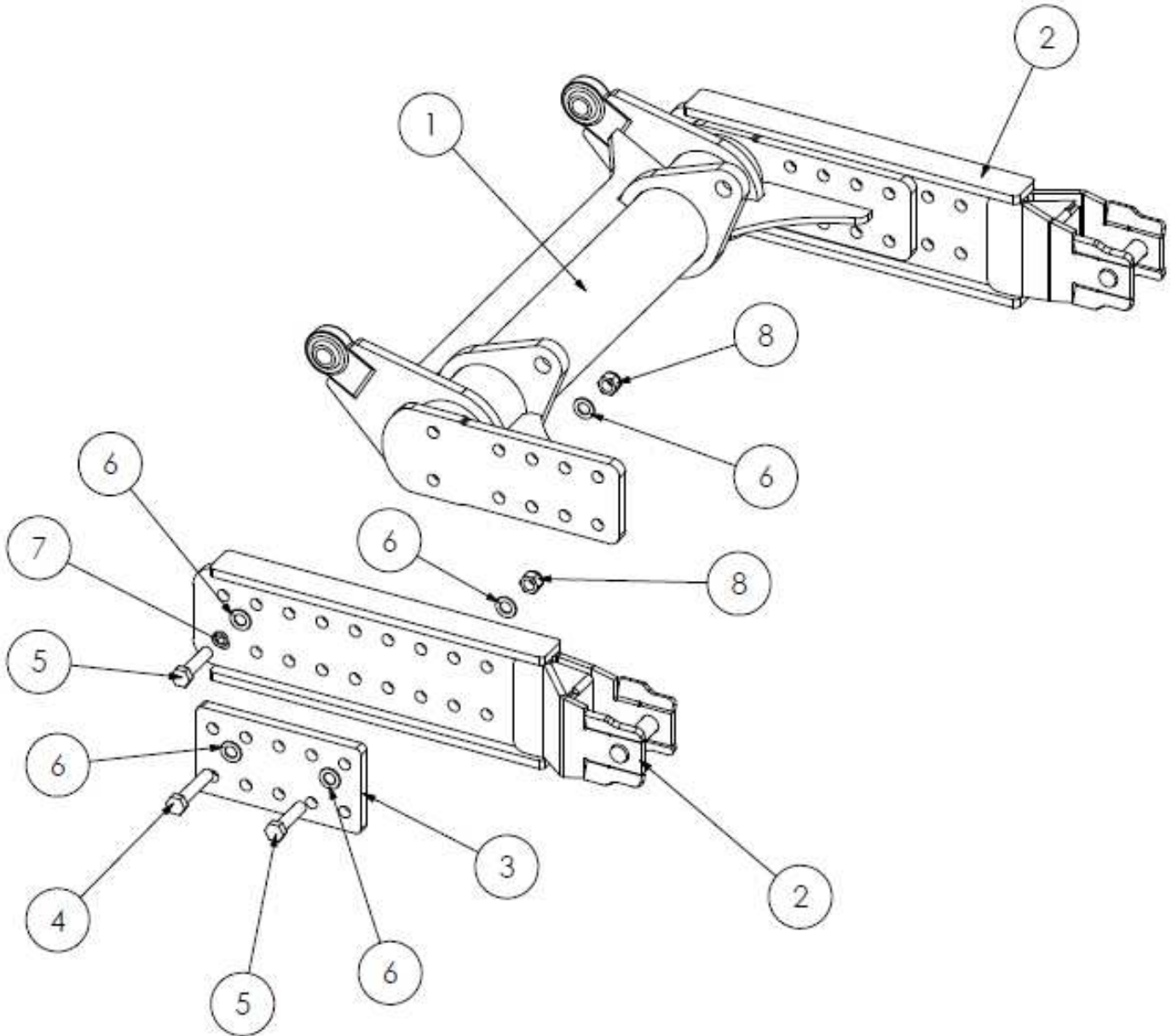
Spearhead TWIGA

SAFETY DECALS – S180032.I16

REF NO.	PART NO.	QTY.	DESCRIPTION
1	7103230	4	RIVET
2	8770307	2	MADE IN GB DECAL
3	8770322	20	GREASE POINT DECAL
4	8770330	1	SERIAL NUMBER PLATE
5	8770346	1	CHECK CHAINS DECAL
6	8770470	1	SAFETY DECAL
7	8770518	1	CONTROLS COVER
8	8770549	1	FILTER CHANGE DECAL

Spearhead TWIGA

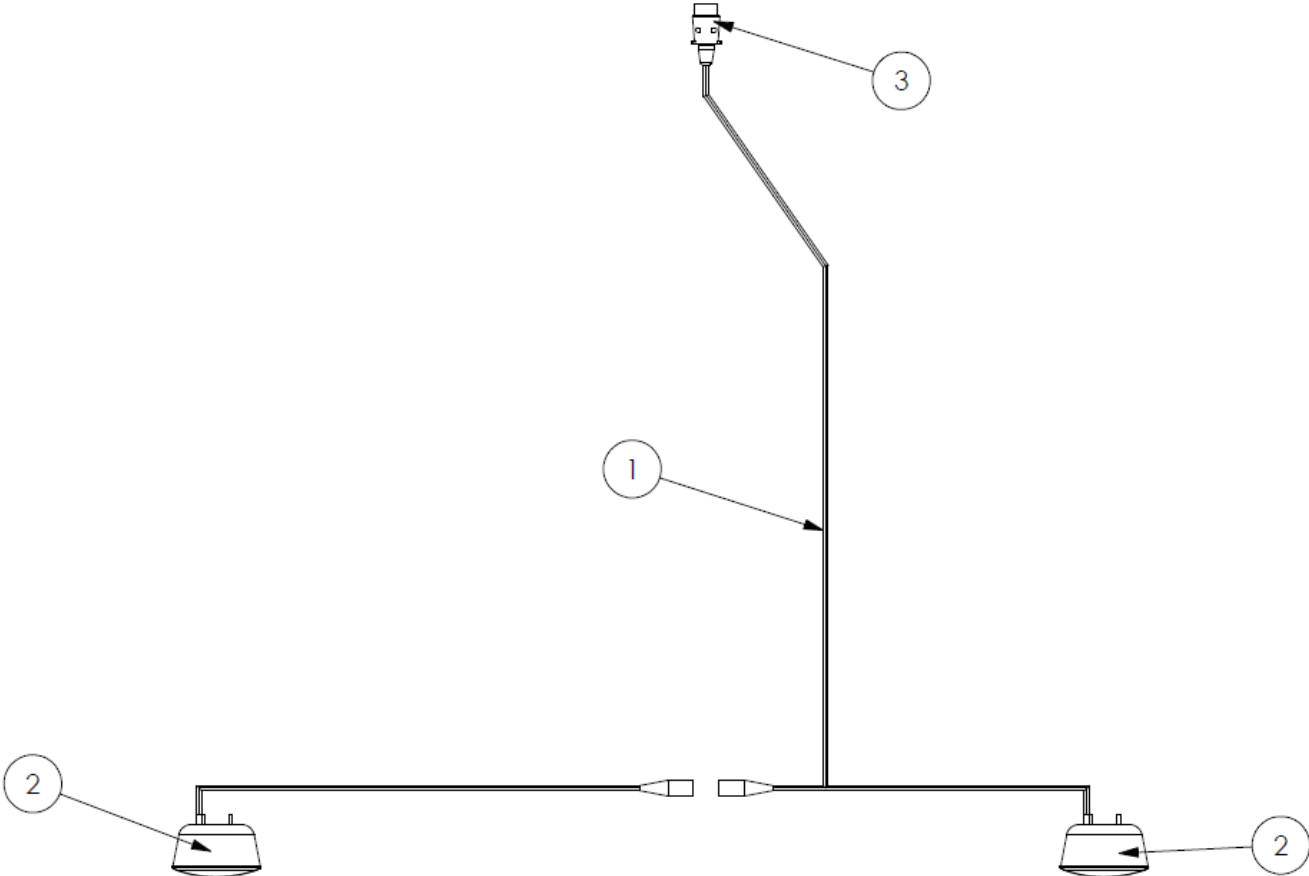
AXLE MOUNT SUB FRAME KIT – OPT0201



REF NO.	PART NO.	QTY.	DESCRIPTION
	OPT0201	1	AXLE MOUNT SUB FRAME KIT
1	1777030A	1	SUB FRAME
2	1777032A	2	ARM
3	1777035	2	BRACE PLATE
4	2770549	16	M20 X 100 BOLT
5	2770550	8	M20 X 80
6	2770517	44	M20 FLAT WASHER
7	05.282.05	4	M20 SPRING WASHER
8	2770409	20	M20 NYLOCK

Spearhead TWIGA

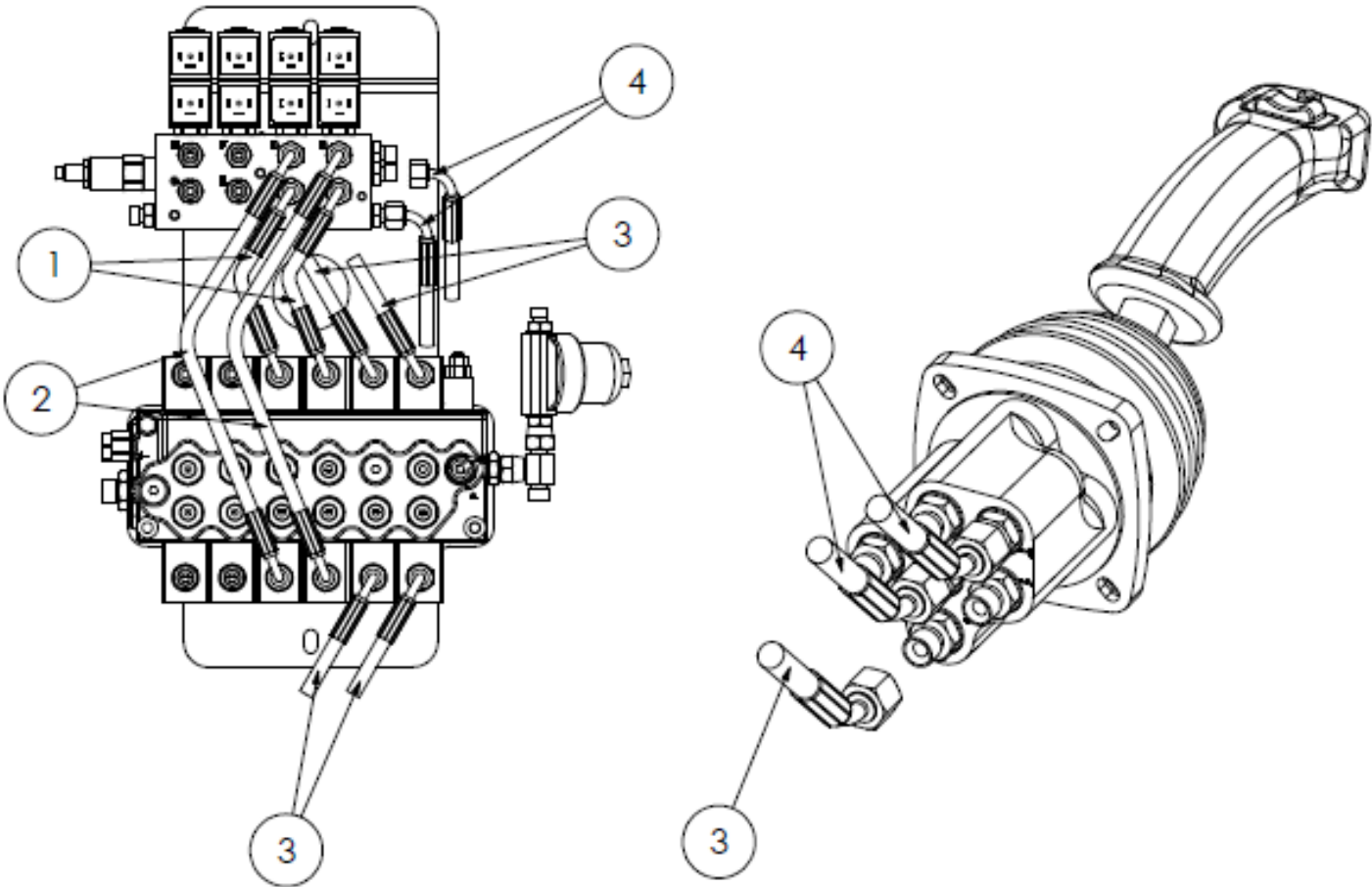
LIGHT CIRCUIT - S180032.38



REF NO.	PART NO.	QTY.	DESCRIPTION
1	8770656	1	LIGHT LOOM
2	8770658	-	LIGHT UNIT
3	8770657	-	7 PIN PLUG

Spearhead TWIGA

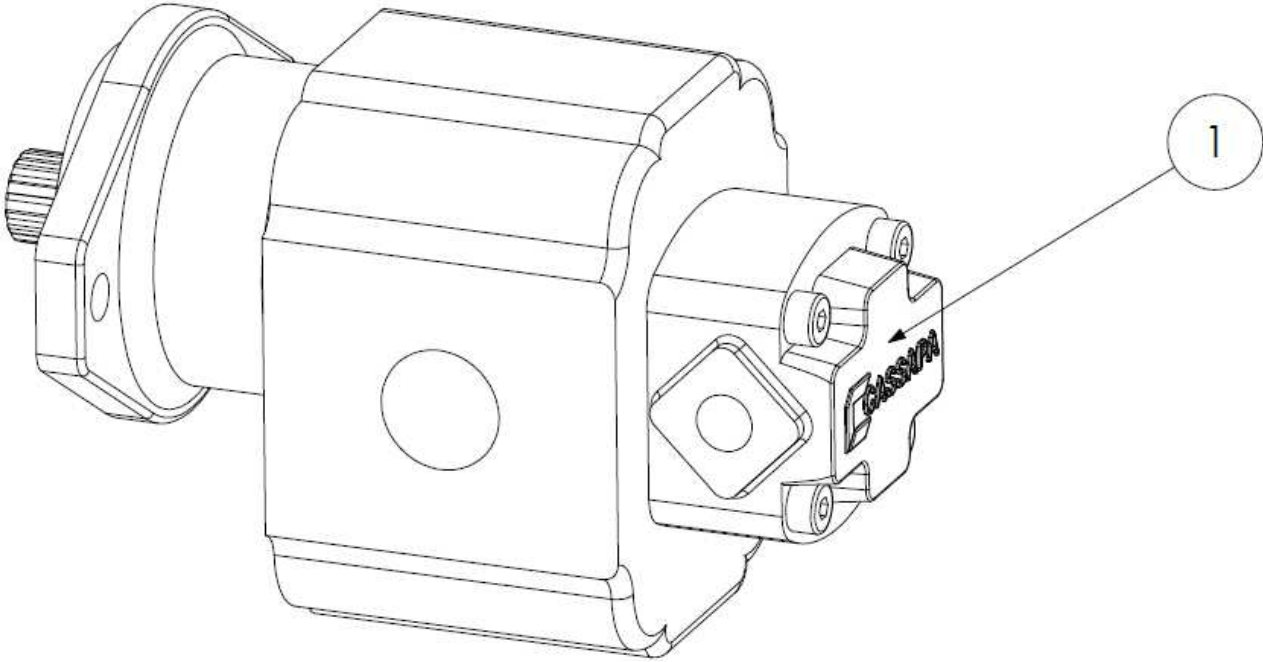
JOYSTICK HOSE KIT - 3750561



REF NO.	PART NO.	QTY.	DESCRIPTION
	3750561		HOSE KIT
1	3760456	2	HOSE: 1/4" - 210mm
2	3760457	2	HOSE: 1/4" - 410mm
3	3760517	4	HOSE: 1/4" - 3900mm
4	3760518	2	HOSE: 1/4" - 4000mm

Spearhead TWIGA

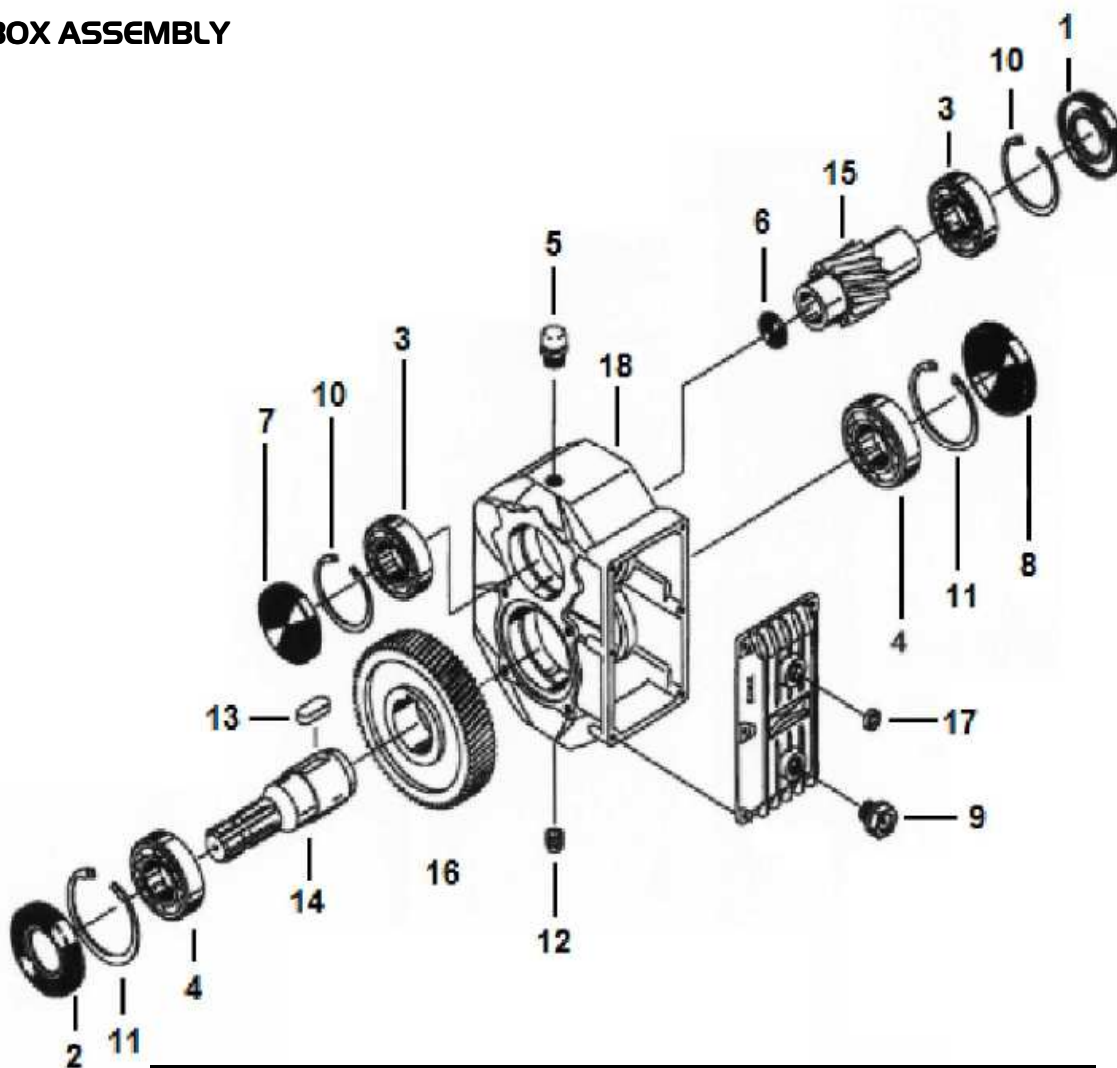
TANDEM PUMP - 3151096



REF NO.	PART NO.	QTY.	DESCRIPTION
	3151096		TANDEM PUMP
1	3151045	1	SERVICE PUMP - 16cc

Spearhead TWIGA

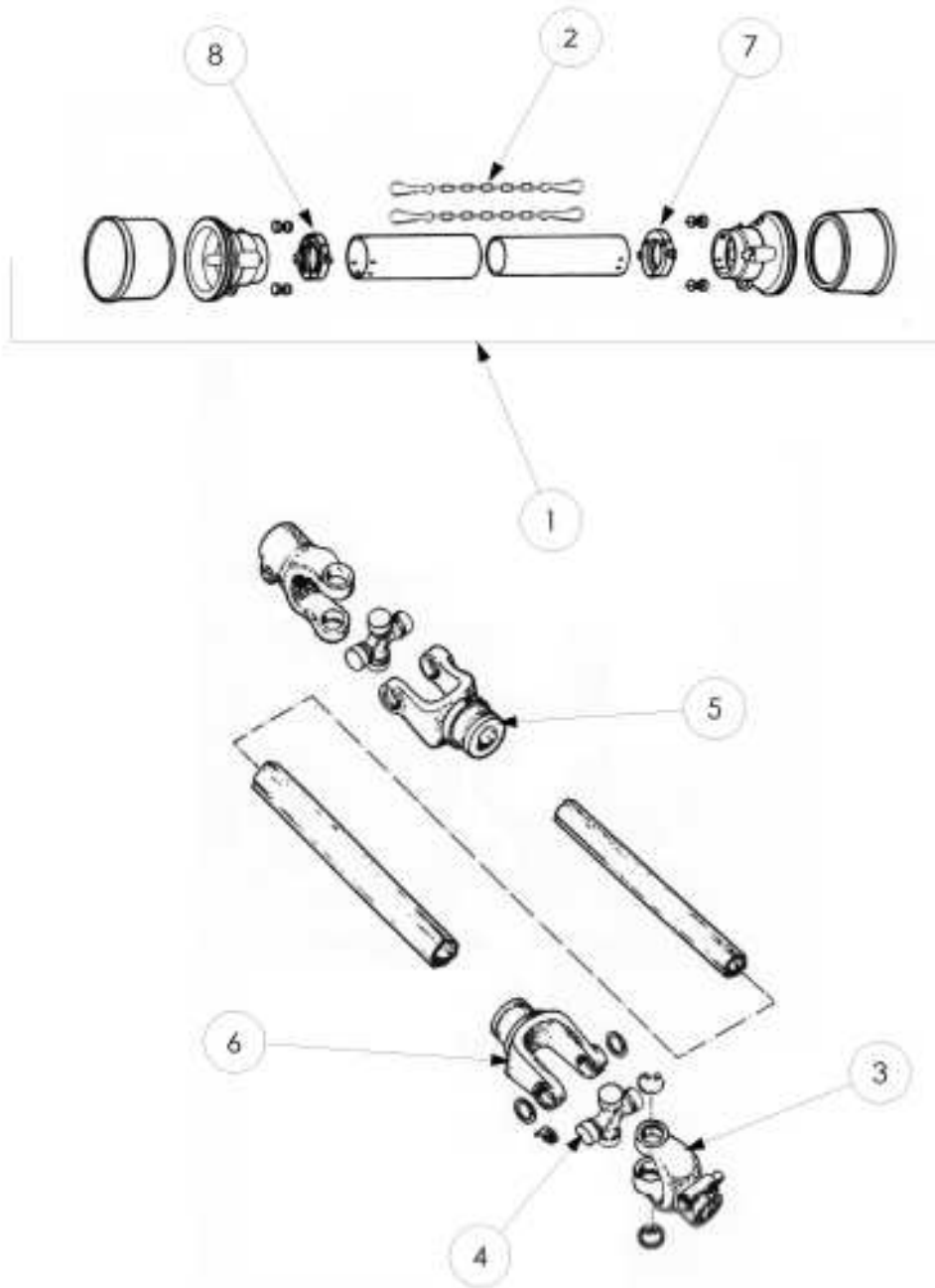
GEARBOX ASSEMBLY



REF NO.	PART NO.	QTY.	DESCRIPTION
	3151080	-	GEARBOX ASSEMBLY
1	4771119	1	OIL SEAL
2	5771613	1	OIL SEAL
3	4771605	2	BEARING
4	4771607	2	BEARING
5	5771124	1	BREATHER
6	5771123	1	END CAP
7	5771615	1	END CAP
8	5771614	1	END CAP
9	8013592	1	LEVEL GAUGE
10	8013529	2	CIRCLIP
11	8013525	2	CIRCLIP
12	8013533	1	DRAIN PLUG
13	8013586	1	KEY
14	8013522	1	INPUT SHAFT
15	8013614	1	OUTPUT SHAFT
16	8013615	1	GEAR
17	8013535	1	OIL PLUG
18	8013598	1	CASING

Spearhead TWIGA

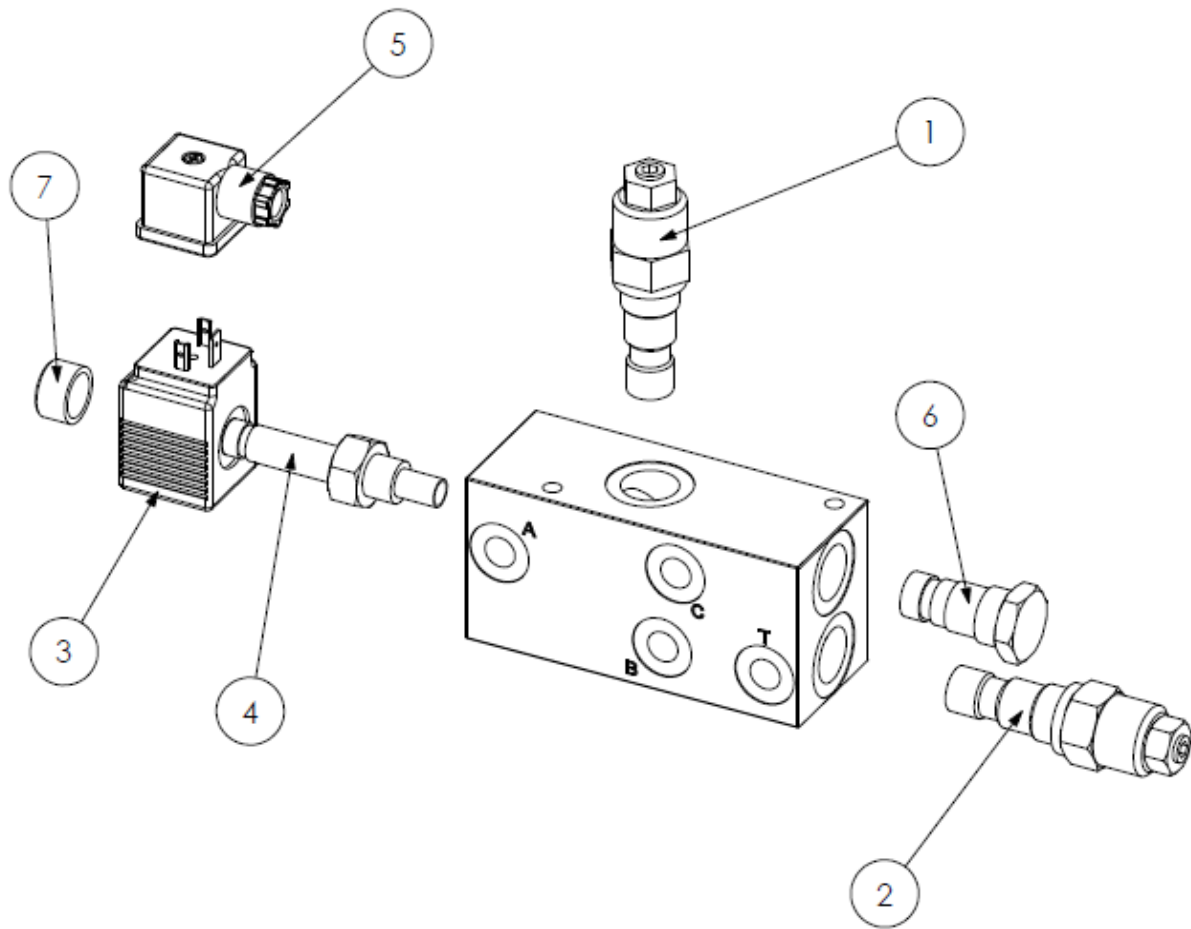
PTO ASSEMBLY



REF NO.	PART NO.	QTY.	DESCRIPTION
	5770084C	-	PTO ASSEMBLY
1	5772263	-	GUARD
2	5771020	-	CHAIN
3	5772240	-	YOKE – 6 SPLINE
3	5772241	-	YOKE – 21 SPLINE
4	5772242	-	CROSS JOURNAL
5	5772244	-	INNER YOKE
6	5772264	-	OUTER YOKE
7	4770814	-	OUTER BEARING
8	4770815	-	INNER BEARING

Spearhead TWIGA

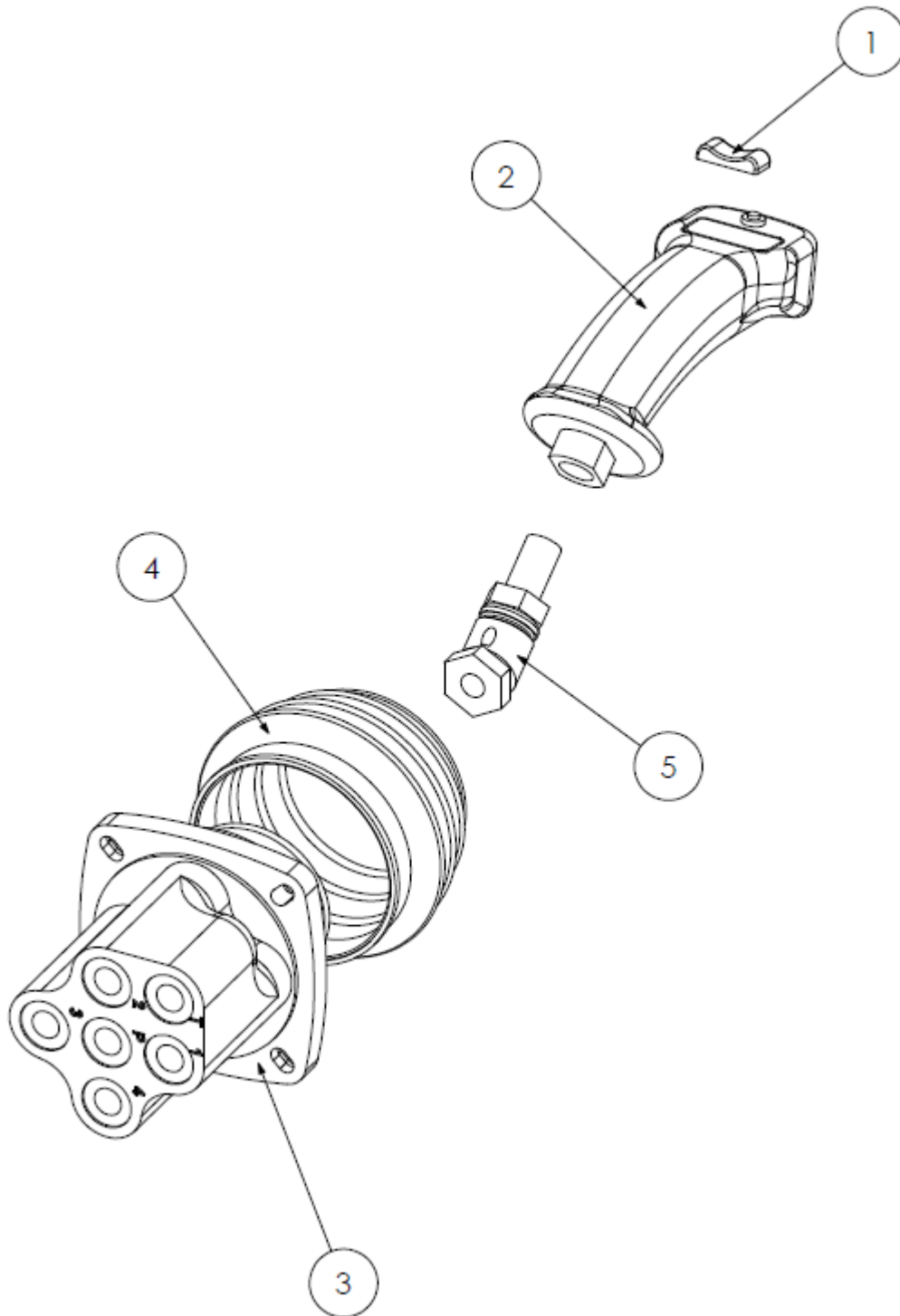
AUTO RESET VALVE - 3610057



REF NO.	PART NO.	QTY.	DESCRIPTION
	3610057	-	VALVE ASSEMBLY
1	3600137	1	SEQUENCE VALVE
2	3600144	1	RELIEF VALVE
3	3610052	1	COIL
4	3610032A	1	SOLENOID
5	3610048	1	CONNECTOR
6	3610054	1	PO CHECK CARTRIDGE
7	N/A	1	NUT

Spearhead TWIGA

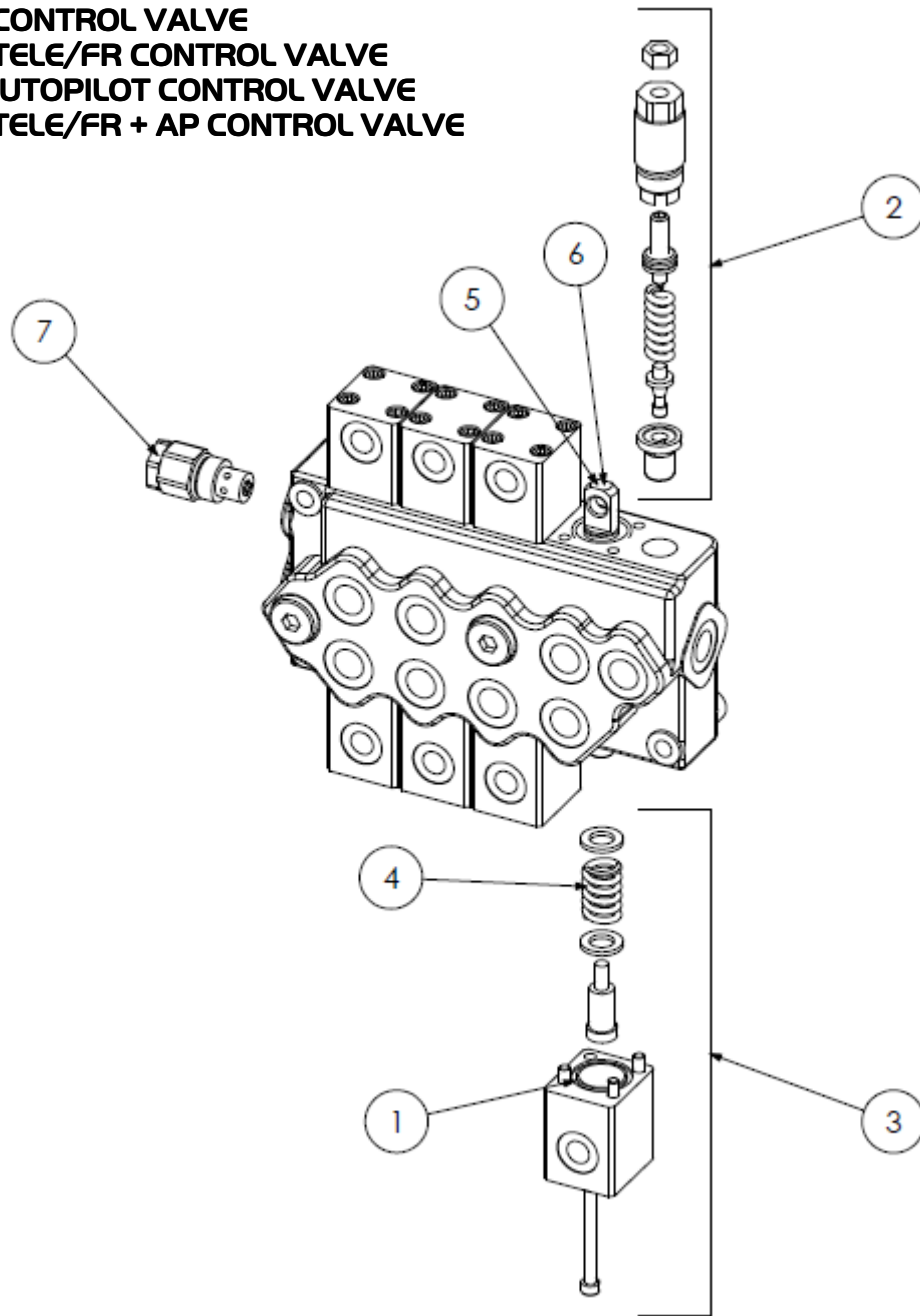
3910228A - JOYSTICK



REF NO.	PART NO.	QTY.	DESCRIPTION
	3910228A	-	JOYSTICK ASSEMBLY
1	3910303	1	HEAD ANGLE SWITCH
2	3910225	1	HANDLE ASSEMBLY
3	3910226	1	BASE
4	3910270	1	GAITER
5	3910271	1	MOUNTING STUD

Spearhead TWIGA

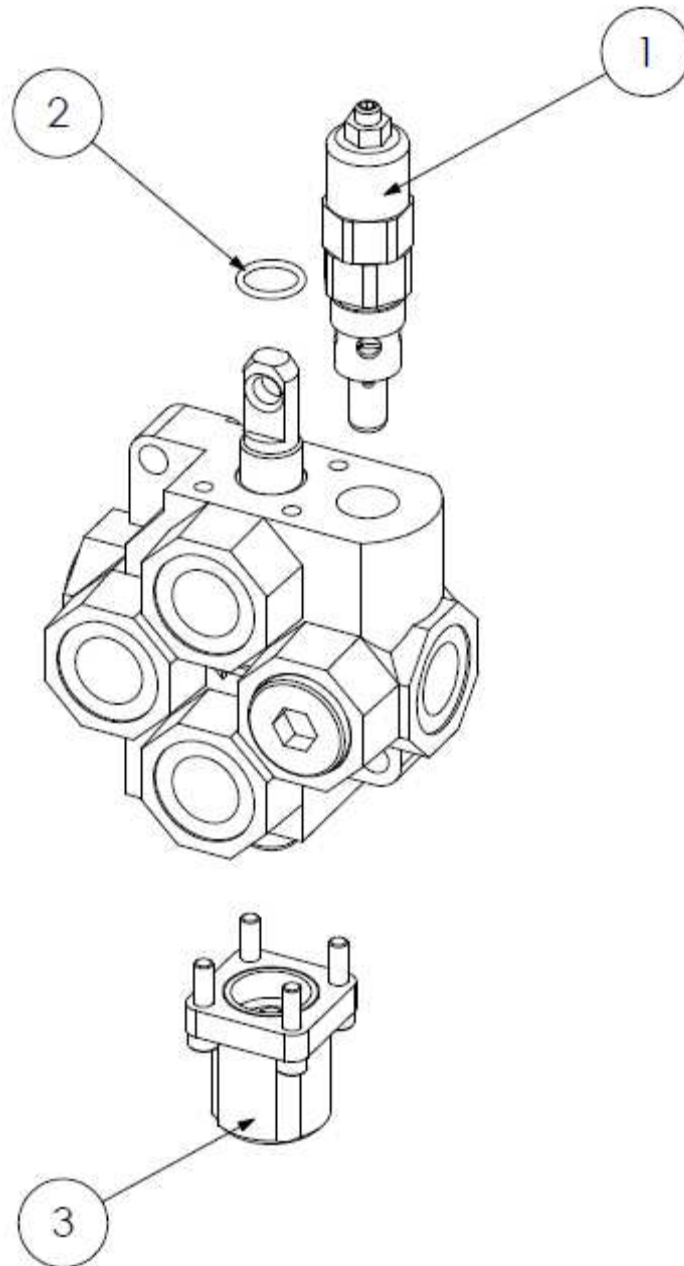
3910295 - 4 BANK CONTROL VALVE
3910298 - 5 BANK TELE/FR CONTROL VALVE
3910291 - 5 BANK AUTOPILOT CONTROL VALVE
3910269 - 6 BANK TELE/FR + AP CONTROL VALVE



REF NO.	PART NO.	QTY. 295	QTY. 298	QTY. 291	QTY. 269	DESCRIPTION
	3910295	1	-	-	-	4 BANK VALVE ASSEMBLY
	3910298	-	1	-	-	5 BANK VALVE ASSEMBLY
	3910291	-	-	1	-	5 BANK VALVE ASSEMBLY
	3910269	-	-	-	1	6 BANK VALVE ASSEMBLY
1	3261005	8	10	10	12	O RING
2	3600093	1	1	1	1	RELIEF VALVE
3	3610003	8	10	10	12	HYDRAULIC PROP. KIT
4	3610003S	8	10	10	12	SPRING
5	3610096	3	4	3	4	DOUBLE ACTING SPOOL
6	3610098	1	1	2	2	SINGLE ACTING SPOOL
7	5770300	1	1	1	1	CARTRIDGE

Spearhead TWIGA

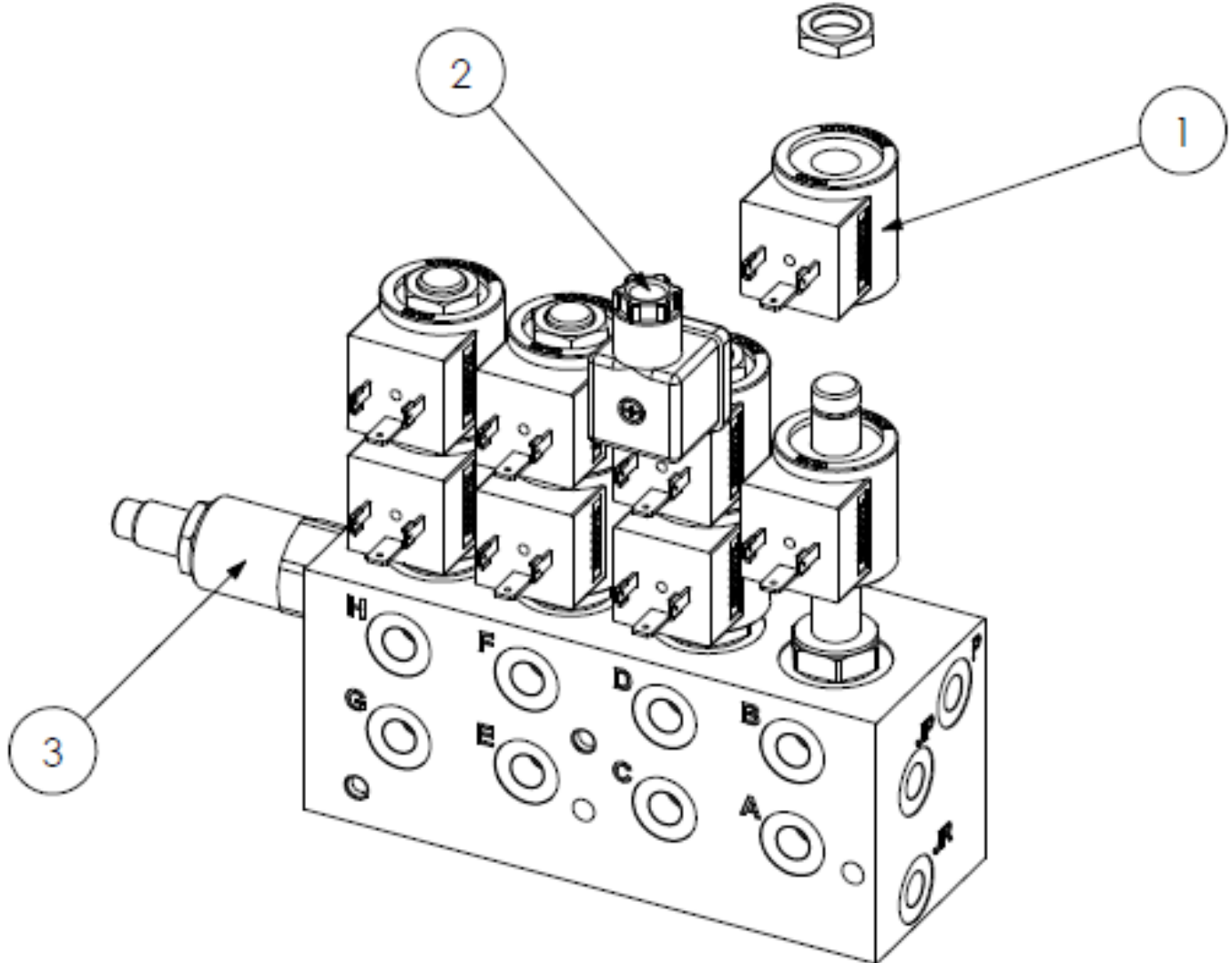
48033.02 - CABLE ROTOR VALVE



REF NO.	PART NO.	QTY.	DESCRIPTION
	48033.02	-	VALVE ASSEMBLY
1	3600080	1	VALVE CARTRIDGE
2	3600101S	1	O RING
3	3610081A	1	SPOOL DETENT KIT

Spearhead TWIGA

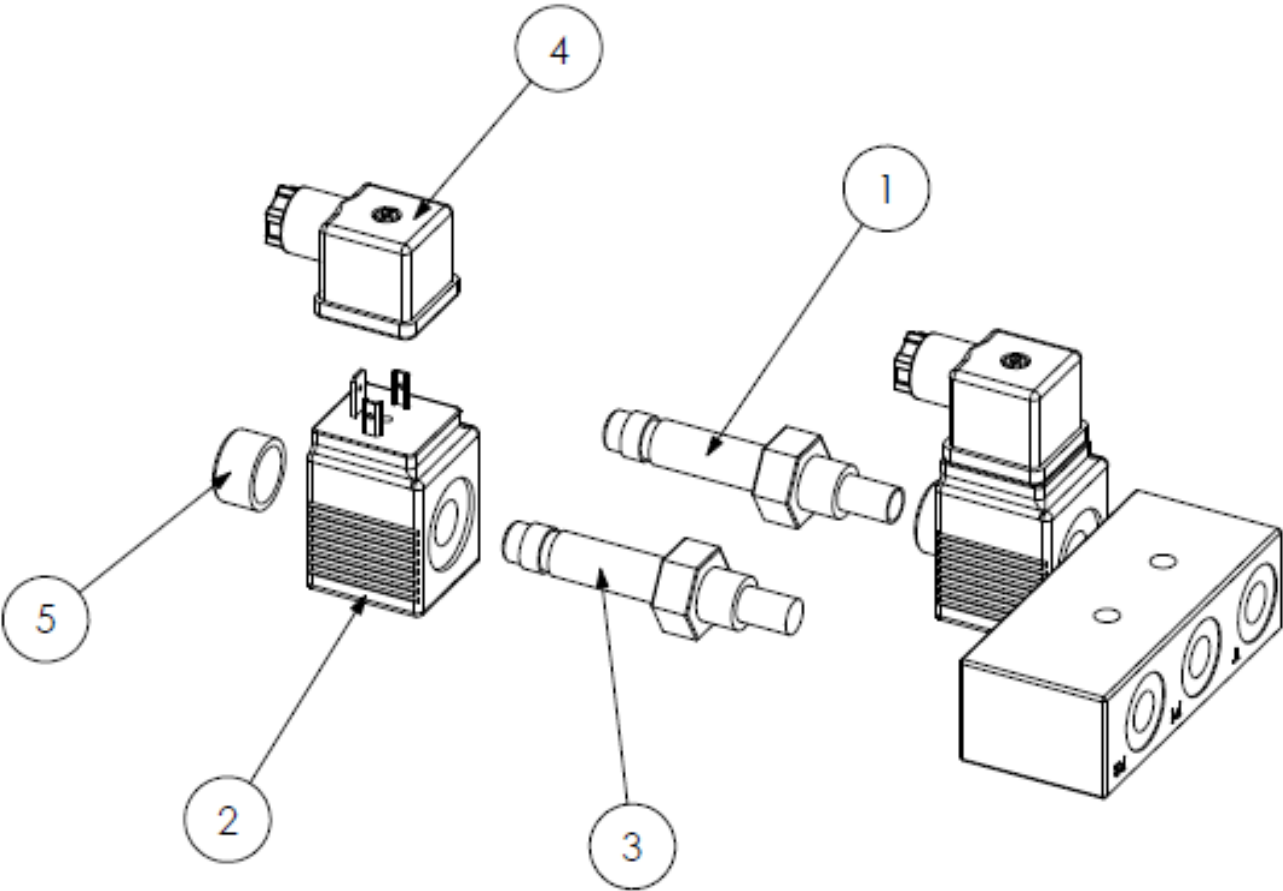
3610102 - 2 BANK PILOT VALVE
 3610103 - 3 BANK PILOT VALVE
 3610104 - 4 BANK PILOT VALVE



REF NO.	PART NO.	QTY. 2	QTY. 3	QTY. 4	DESCRIPTION
	3610102	1	-	-	2 BANK VALVE ASSEMBLY
	3610103	-	1	-	3 BANK VALVE ASSEMBLY
	3610104	-	-	1	4 BANK VALVE ASSEMBLY
1	22677.36	4	6	8	COIL
2	3610048	4	6	8	CONNECTOR
3	3610102.02	1	1	1	PRESSURE RELIEF CARTRIDGE

Spearhead TWIGA

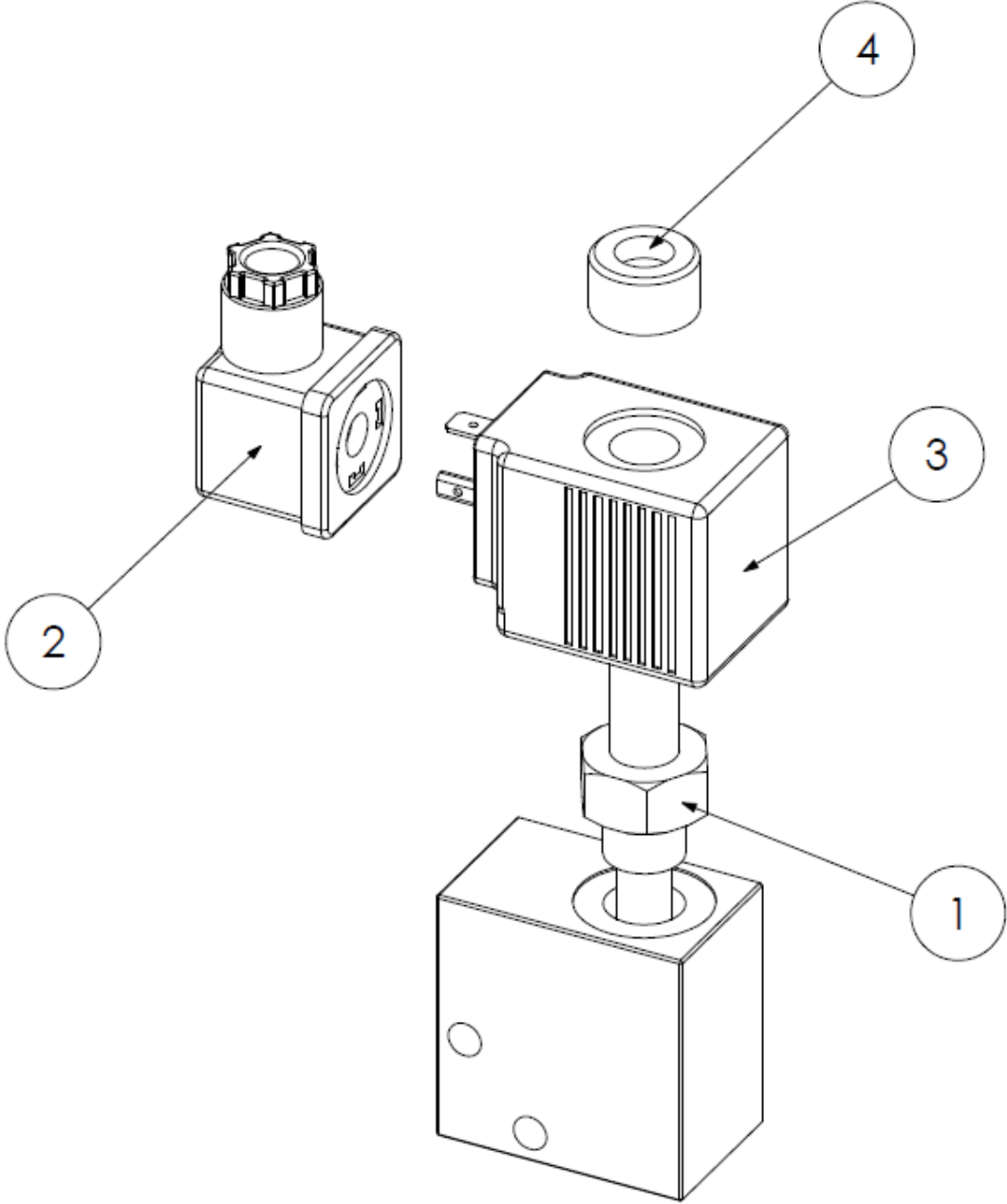
3600132 - HEAD FLOAT VALVE



REF NO.	PART NO.	QTY.	DESCRIPTION
	3600132	-	VALVE ASSEMBLY
1	3600142	1	CARTRIDGE
2	3610030A	2	COIL
3	3610032A	1	SOLENOID
4	3610048	2	CONNECTOR
5	N/A	2	NUT

Spearhead TWIGA

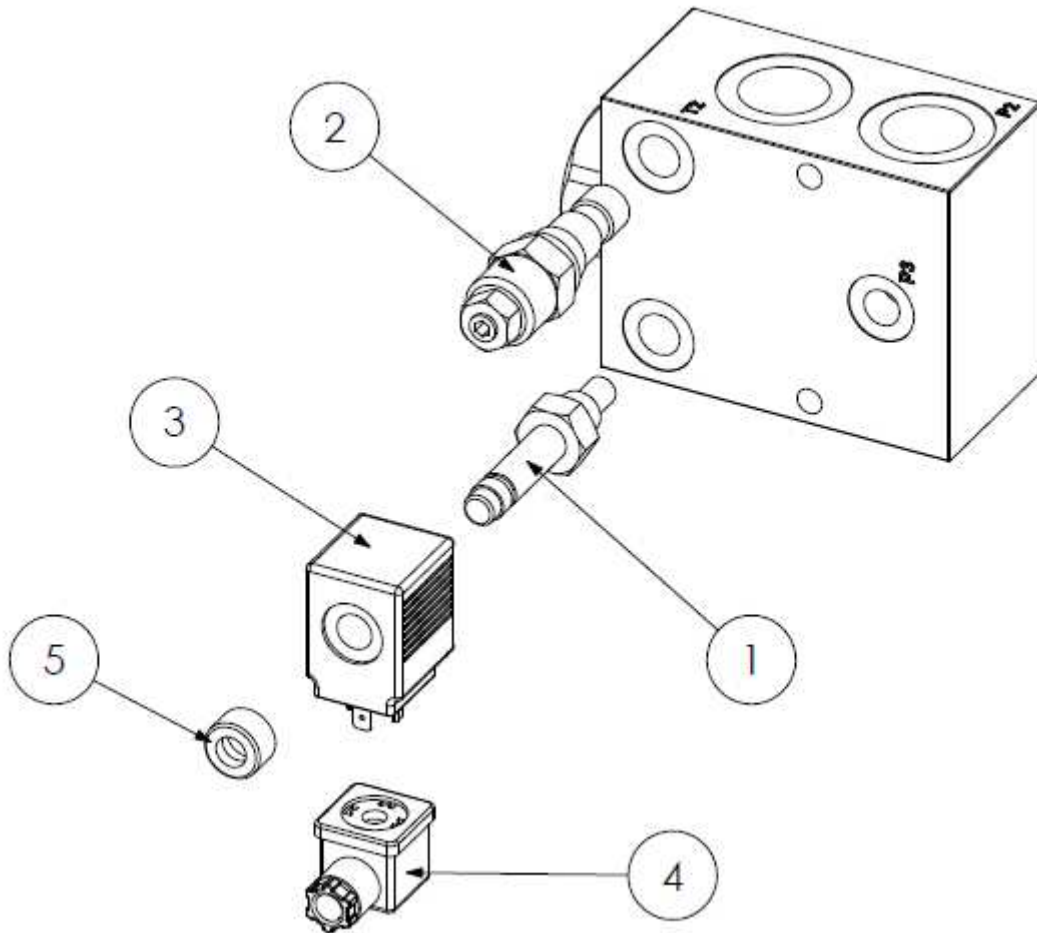
3610053 - ARM FLOAT VALVE



REF NO.	PART NO.	QTY.	DESCRIPTION
	3610053	-	VALVE ASSEMBLY
1	3610036	1	SOLENOID
2	3610048	1	CONNECTOR
3	3610052	1	COIL
4	N/A	1	NUT

Spearhead TWIGA

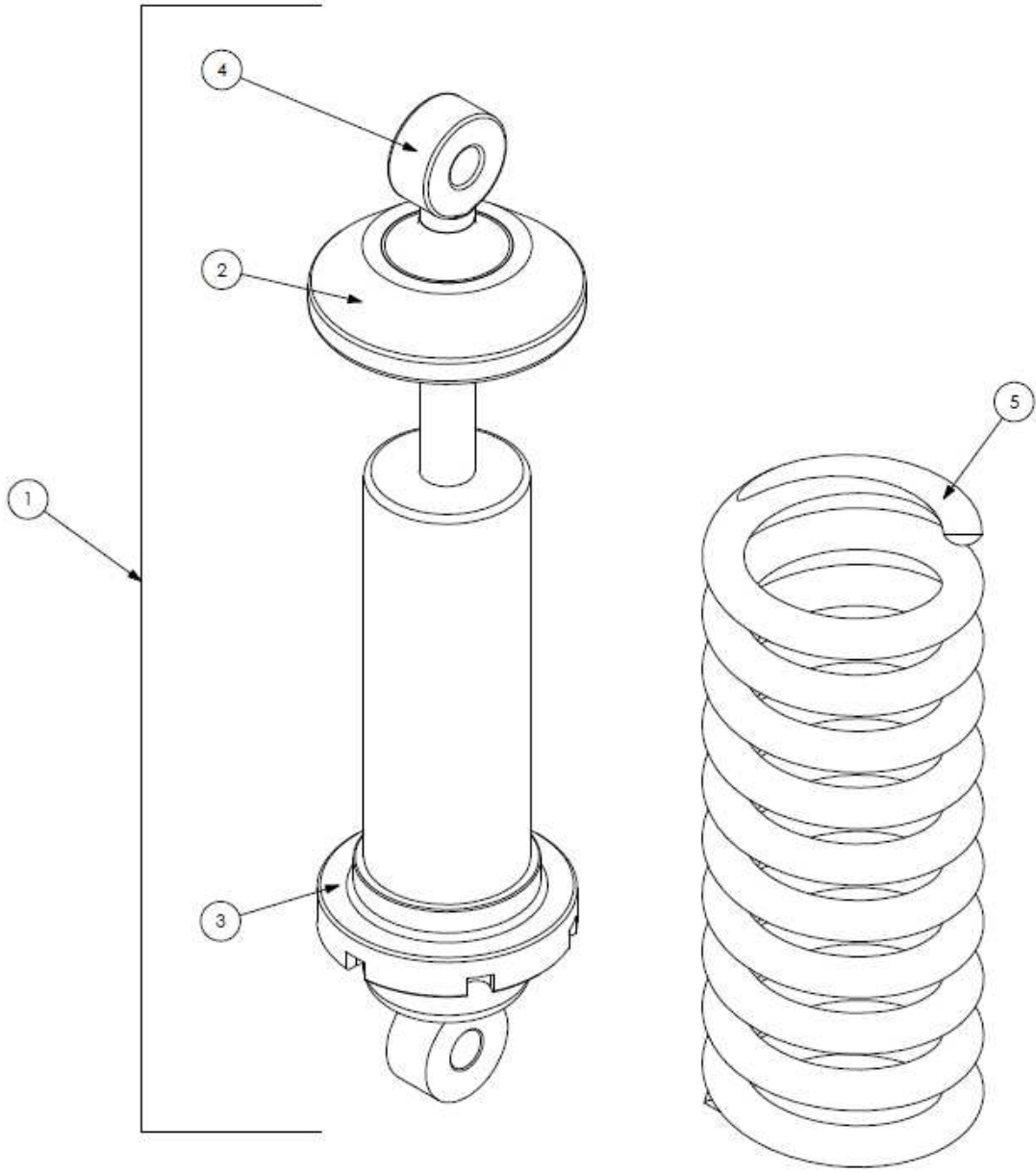
3600099A - LP ELECTRIC ROTOR VALVE
3600099B - HP ELECTRIC ROTOR VALVE



REF NO.	PART NO.	QTY.	DESCRIPTION
	3600099A	-	VALVE ASSEMBLY - 220 BAR
	3600099B	-	VALVE ASSEMBLY - 300 BAR
1	3600142B	1	SINGLE POPPET VALVE
2	3600144A	1	RELIEF VALVE
3	3610052	1	COIL
4	3610048	1	CONNECTOR
5	N/A	1	NUT

Spearhead TWIGA

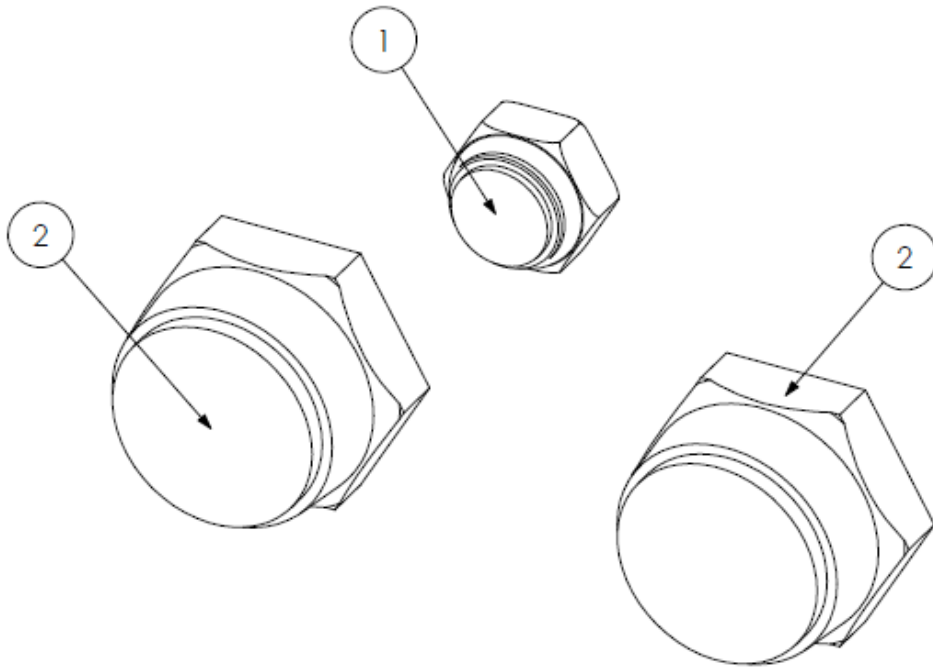
8770600 - SHOCK ABSORBER



REF NO.	PART NO.	QTY.	DESCRIPTION
1	8770600	-	SHOCK ABSORBER (NO SPRING)
2	8770600/1	1	TOP COLLET
3	8770600/2	1	BOTTOM COLLET
4	8770600/3	1	BALL END
5	8770601	1	SPRING

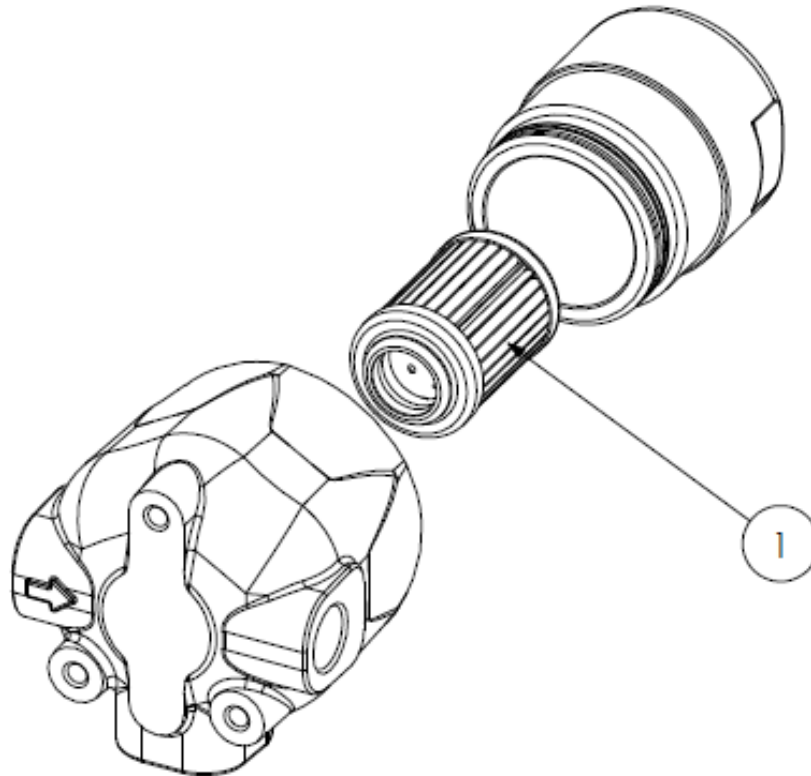
Spearhead TWIGA

HOSE BLANKING CAPS – S180028.67



REF NO.	PART NO.	QTY.	DESCRIPTION
1	07.082.01	1	3/8" BLANKING CAP
2	05.433.08	2	1" BLANKING CAP

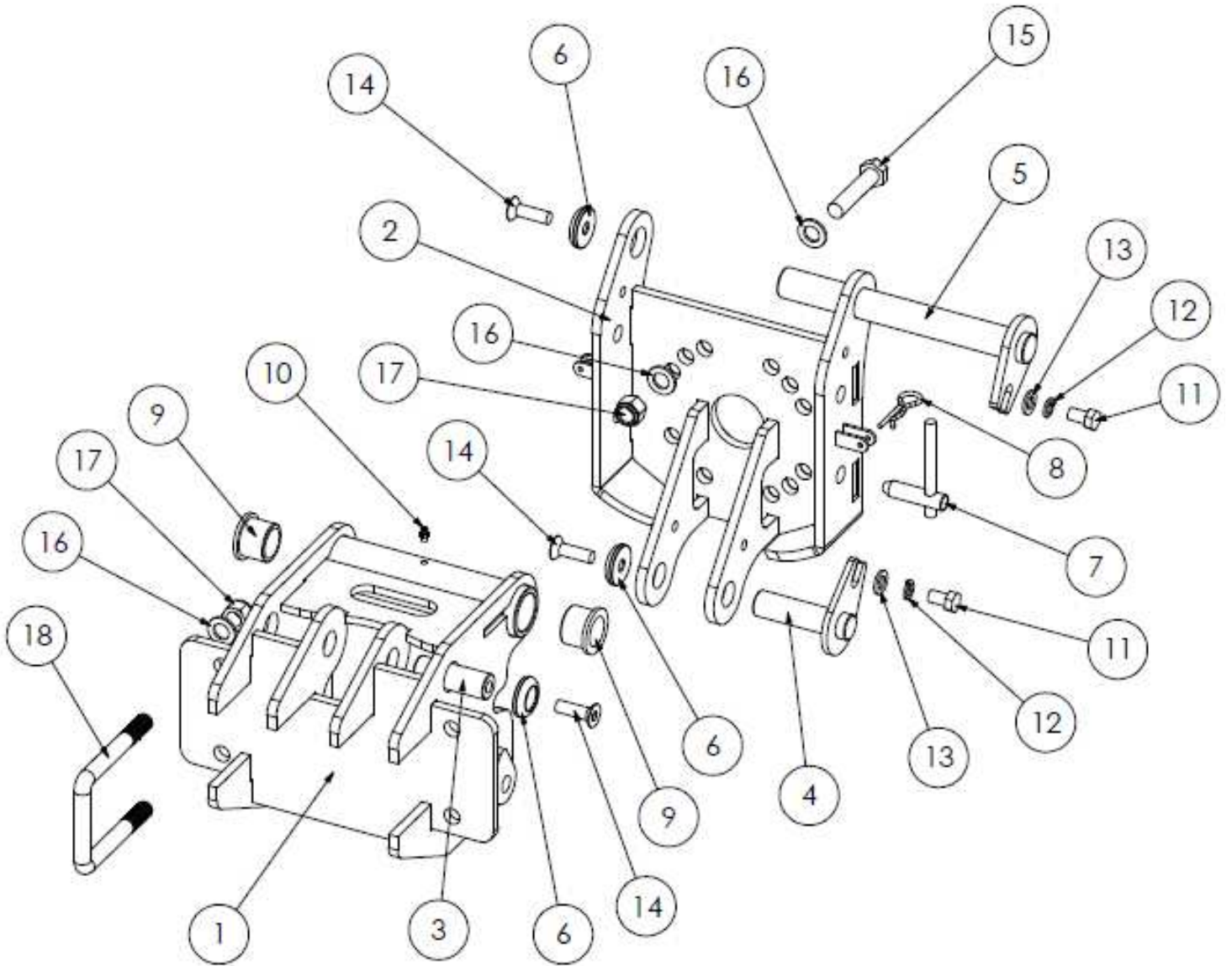
3900081 - PRESSURE FILTER



REF NO.	PART NO.	QTY.	DESCRIPTION
	3900081	-	FILTER
1	3900082	1	ELEMENT

Spearhead TWIGA

NARROW LANE BRACKET - S180032.98



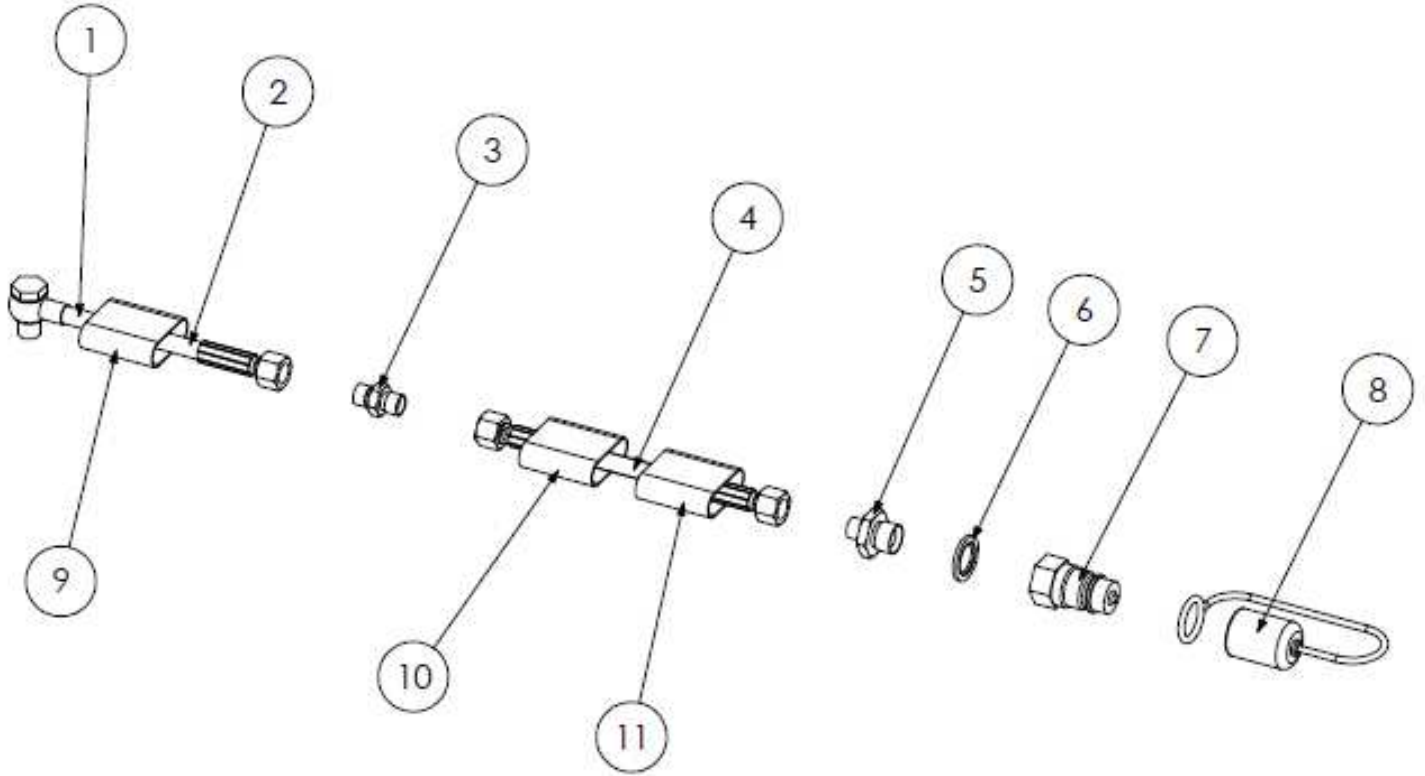
Spearhead TWIGA

NARROW LANE BRACKET - S180032.98

REF NO.	PART NO.	QTY.	DESCRIPTION
1	180444	1	FRONT BRACKET
2	180445	1	REAR BRACKET
3	1778039	1	PIN: 25.4 X 76 mm
4	1771550	1	PEAR PIN: 25.4 X 84 mm
5	1777914A	1	PEAR PIN: 30 X 251 mm
6	1777209	4	PIN RETAINING WASHER - 40mm
7	1777749	2	LOCKING PIN
8	6310194	2	R CLIP
9	4600135B	2	BUSH
10	2770467	1	M6 ST GREASE NIPPLE
11	05.264.21	2	M12 X 20 BOLT
12	2770442	2	M12 SPRING WASHER
13	2770436	2	M12 FLAT WASHER
14	2770506	4	M12 X 30 SKT CSK SCREW
15	05.291.40	4	M16 X 75 BOLT
16	2770454	12	M16 FLAT WASHER
17	2770447	8	M16 NYLOCK
18	2770625	2	M16 U BOLT

Spearhead TWIGA

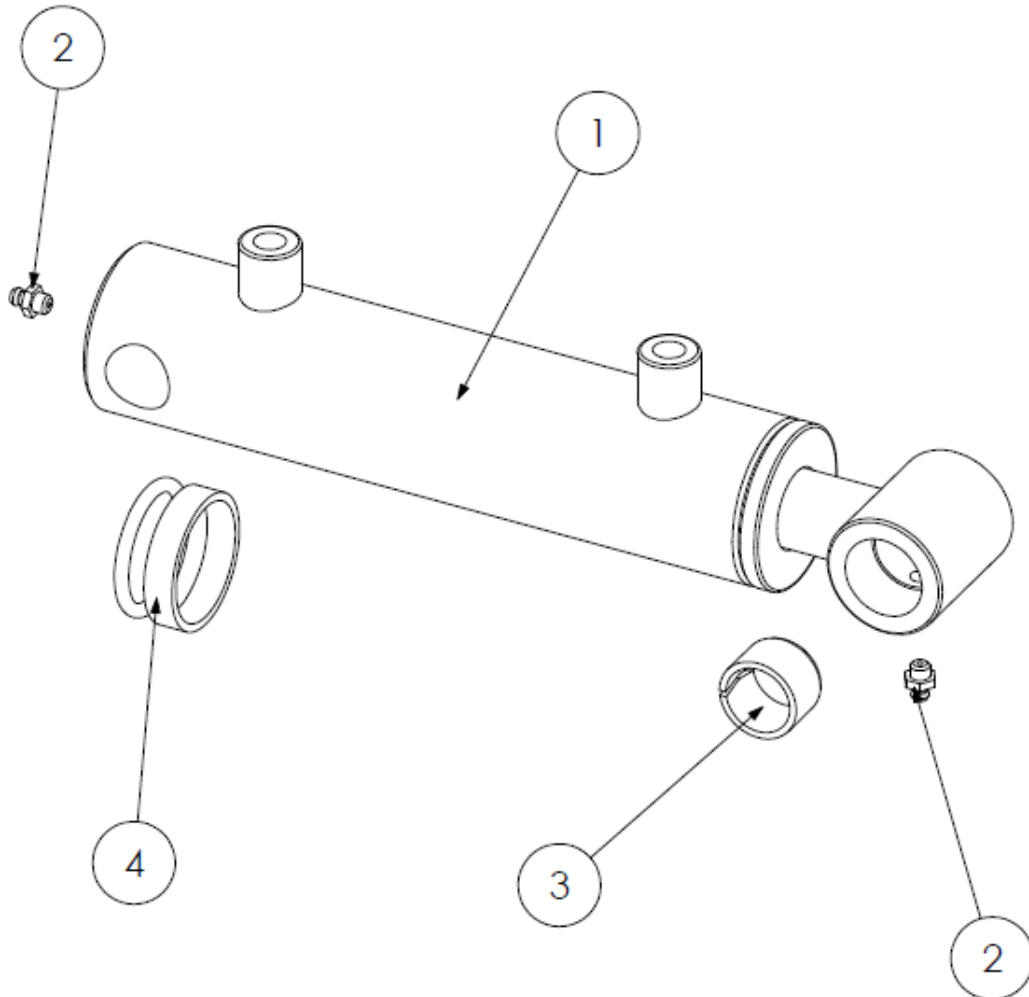
555 NARROW LANE BRACKET HOSES - S180032.99



REF NO.	PART NO.	QTY.	DESCRIPTION
1	3760509	1	HOSE: 1/4" - 1755mm
2	3760512	1	HOSE: 1/4" - 1600mm
3	3360080	2	1/4" M-M ADAPTOR
4	3760508	2	HOSE: 1/4" - 7000mm
5	3250154	2	1/4" M - 1/2" M ADAPTOR - R1.0mm
6	3260072	2	1/2" BONDED SEAL
7	3750153	2	1/2" MALE QUICK RELEASE COUPLING
8	3700236	2	DUST CAP - RED
9	43543.08	1	HOSE SLEEVE: 1800mm SM
10	43543.10	1	HOSE SLEEVE: 1200mm SM
11	43543.16	1	HOSE SLEEVE: 2500mm SM

Spearhead TWIGA

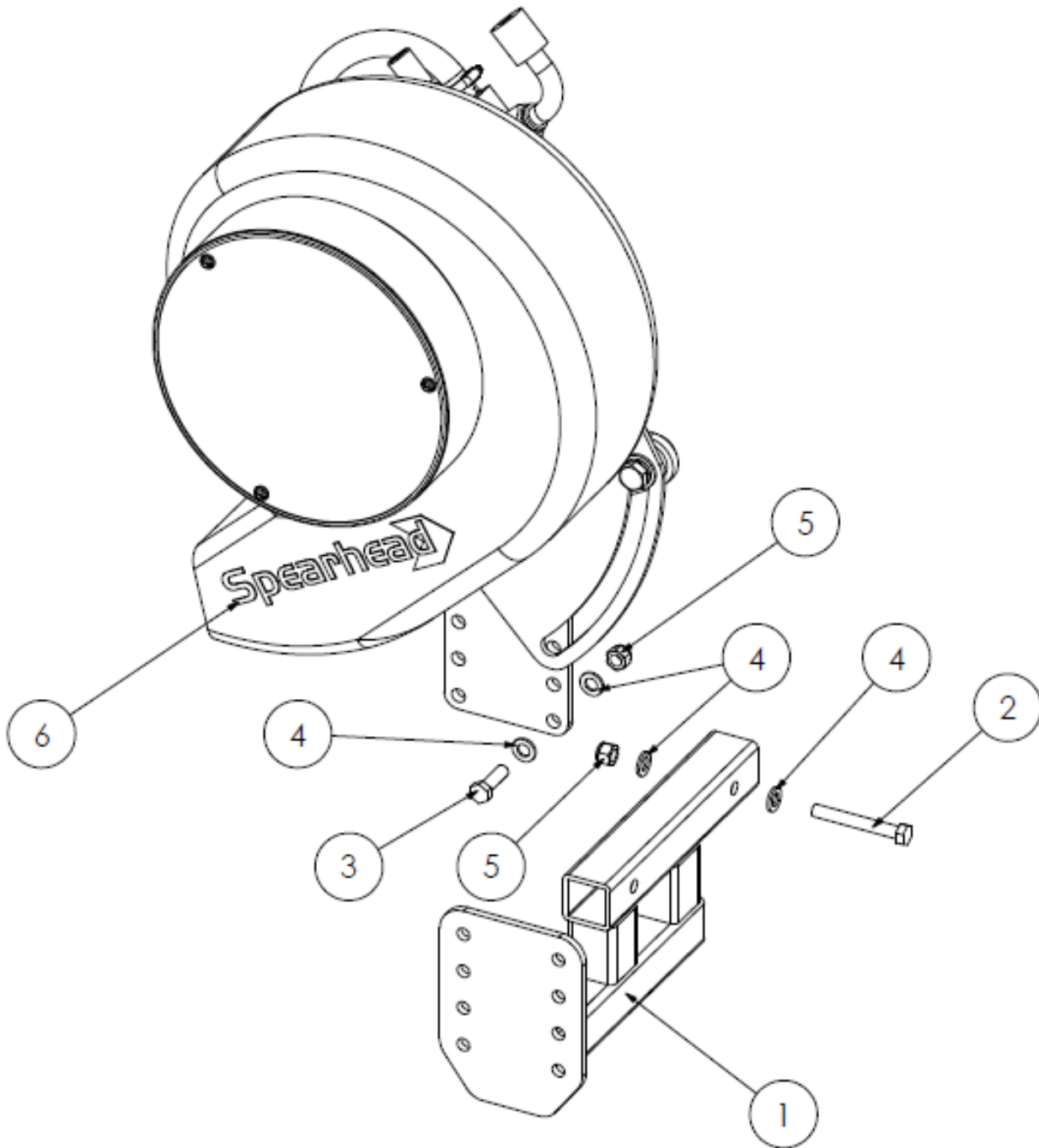
NARROW LANE BRACKET RAM - S180032.100



REF NO.	PART NO.	QTY.	DESCRIPTION
1	3580645	1	RAM
2	01.070.04	2	1/8" ST GREASE NIPPLE
3	4600415	2	BUSH
4	3580665W	1	SEAL KIT

Spearhead TWIGA

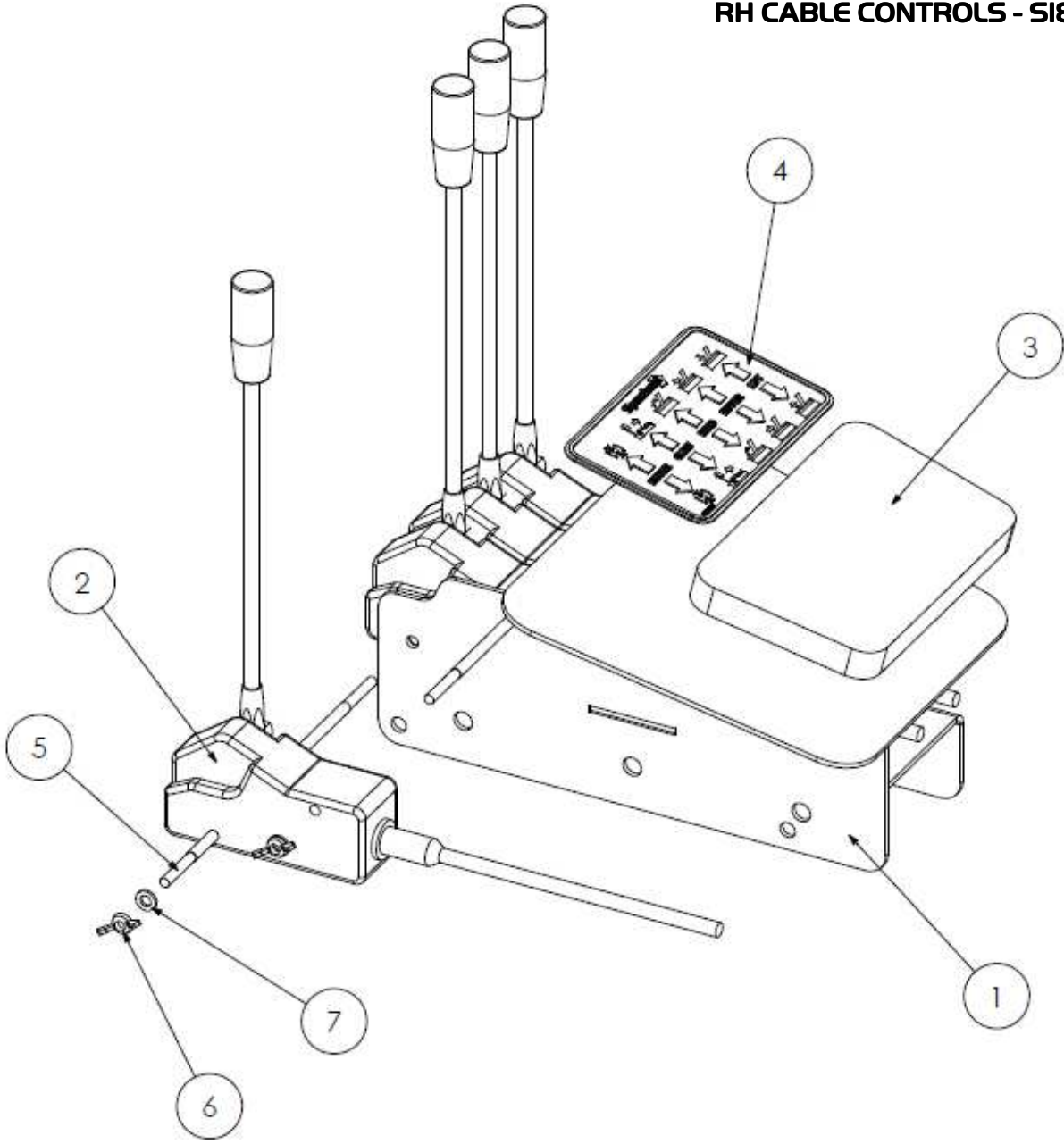
LH DEBRIS BLOWER - OPT0204
RH DEBRIS BLOWER - OPT0205



REF NO.	PART NO.	QTY.	DESCRIPTION
1	180227	1	BRACKET
2	2770481	2	M12 X 90 BOLT
3	2770443	4	M12 X 40 BOLT
4	2770436	12	M12 FLAT WASHER
5	2770417	6	M12 NYLOCK

Spearhead TWIGA

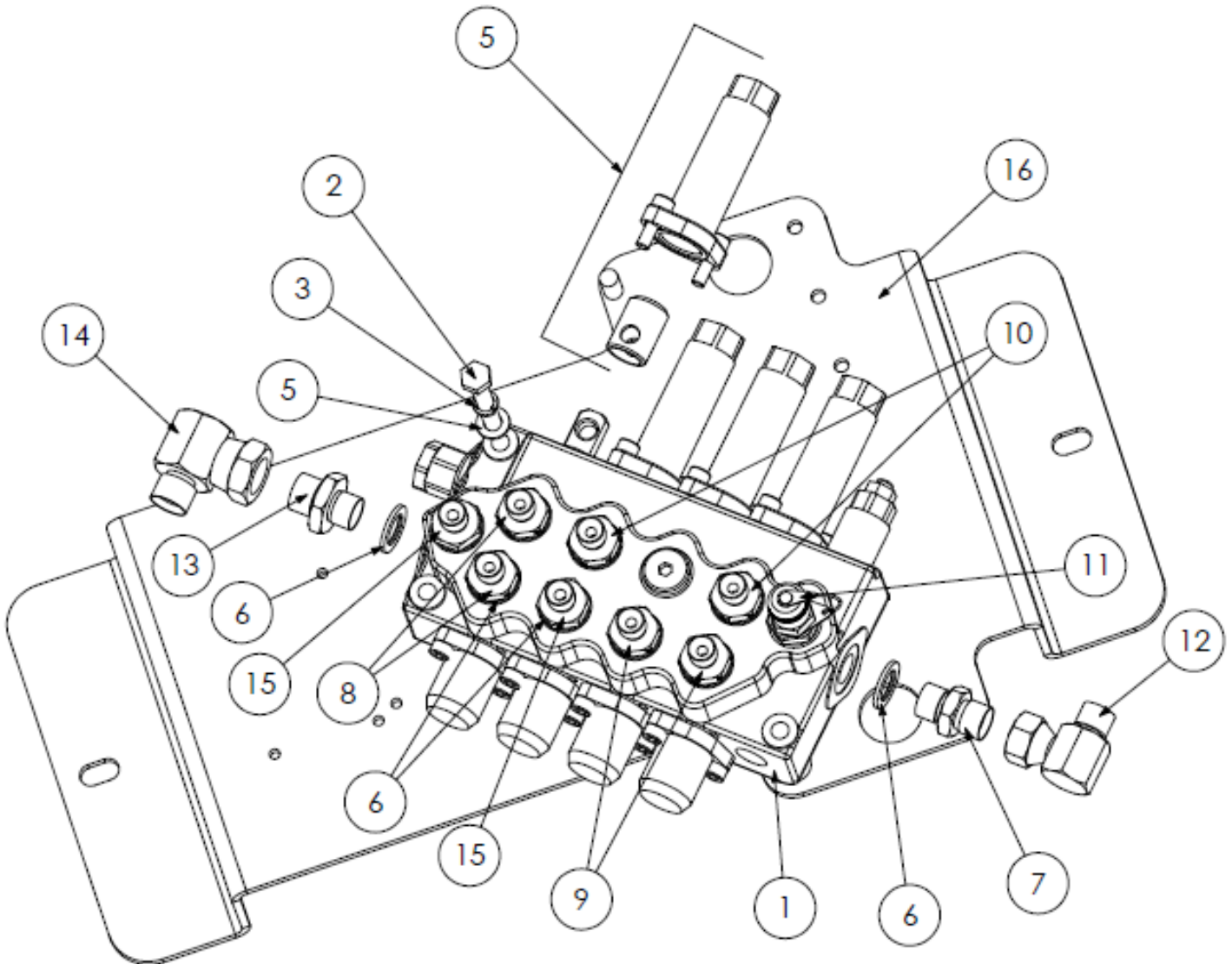
LH CABLE CONTROLS - S180014.68
RH CABLE CONTROLS - S180014.76



REF NO.	PART NO.	QTY.	DESCRIPTION
1	180325	1	CABLE MOUNT BRACKET
2	47531.01	4	CABLE ASSEMBLY - 3M
3	5771642	1	FOAM PAD
4	8770436	1	LH DECAL
4	8770437	1	RH DECAL
5	04.282.71	2	M6 X 233 STUD
6	05.948.37	4	M6 WING NUT
7	2771408	4	M6 FLAT WASHER

Spearhead TWIGA

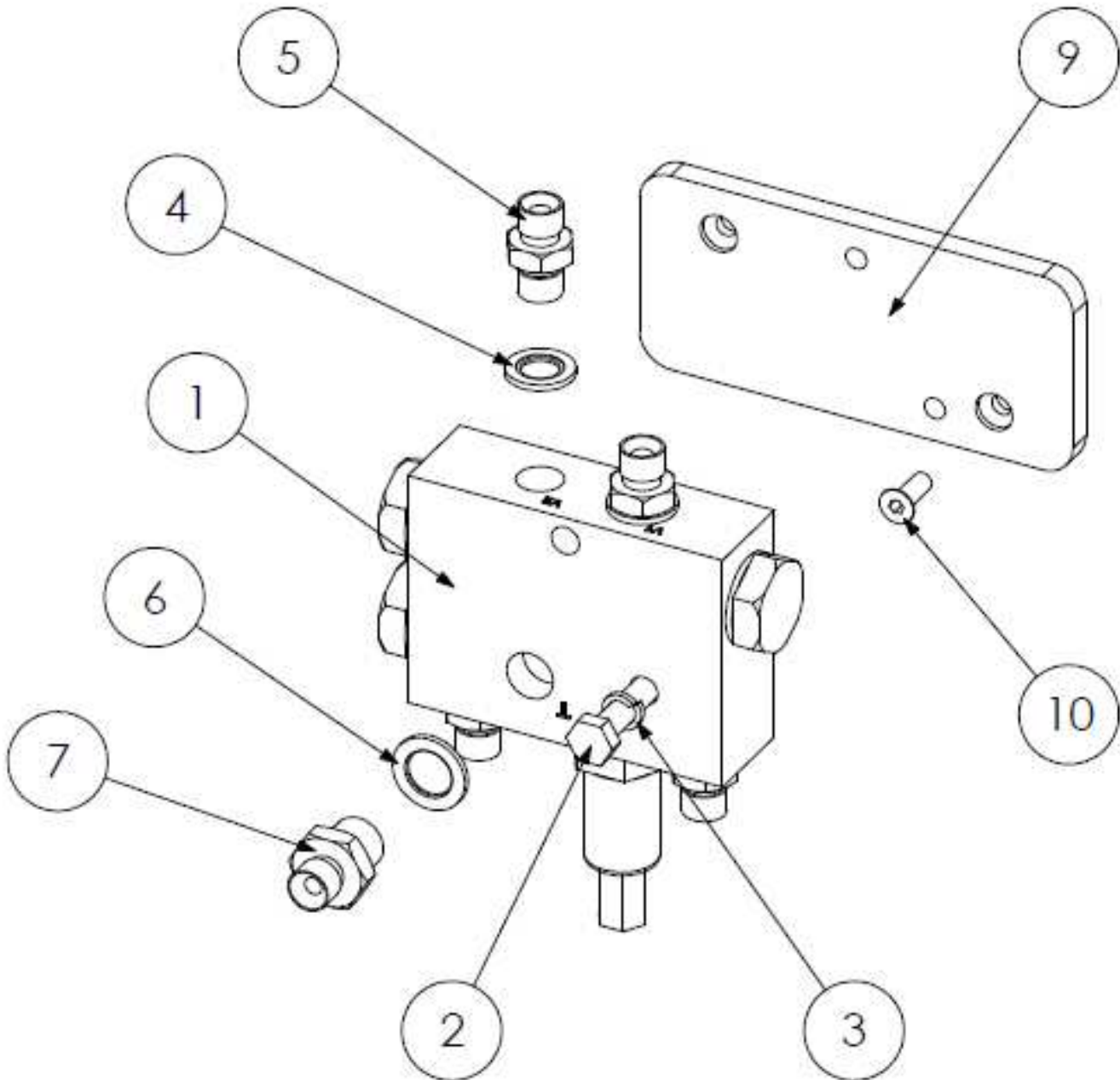
CABLE CONTROL VALVE ASSEMBLY - S180032.I13



REF NO.	PART NO.	QTY.	DESCRIPTION
1	3600105	1	VALVE
2	2770430	2	M8 X 60 BOLT
3	2770433	2	M8 SPRING WASHER
4	2770432	2	M8 FLAT WASHER
5	47540.01	4	FITTING KIT
6	3260071	10	3/8" BONDED SEAL
7	3360086	1	3/8" M-M ADAPTOR
8	3360098	2	1/4" M - 3/8" M R 1.0mm
9	3360107	3	1/4" M - 3/8" M R 1.5mm
10	3360104	2	1/4" M - 3/8" M R 2.0mm
11	3360111	1	3/8" TEST PORT
12	3450157	1	3/8" COMPACT 90
13	3360088	1	3/8 M - 1/2" M ADAPTOR
14	3700193	1	1/2" COMPACT 90
15	3360083	2	1/4" M - 3/8" M ADAPTOR
16	180193	1	MOUNT PLATE

Spearhead TWIGA

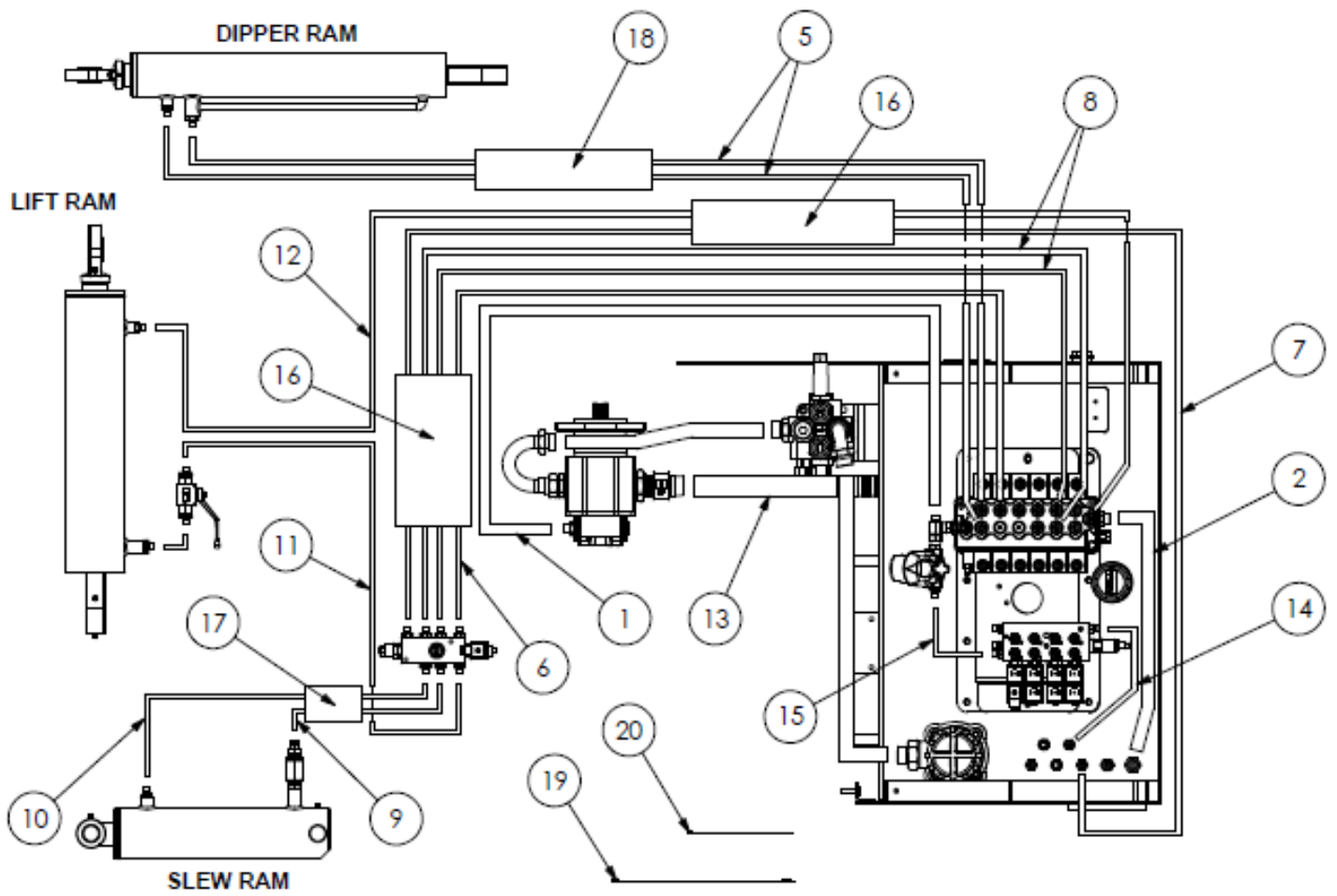
BREAK BACK VALVE ASSEMBLY - S180010.62



REF NO.	PART NO.	QTY.	DESCRIPTION
1	3610056A	1	VALVE
2	05.291.03	2	M8 X 40 BOLT
3	2770433	2	M8 SPRING WASHER
4	3260070	4	1/4" BONDED SEAL
5	3360080	4	1/4" M-M ADAPTOR
6	3260071	1	3/8" BONDED SEAL
7	3360083	1	1/4" M - 3/8" M ADAPTOR
9	181522	1	MOUNT PLATE
10	05.345.14	2	M6 X 16 SKT CSK SCREW

Spearhead TWIGA

LH SD5 BASE HOSE KIT - S180032.31
RH SD5 BASE HOSE KIT - S180032.56



Spearhead TWIGA

LH SD5 BASE HOSE KIT - S180032.31
RH SD5 BASE HOSE KIT - S180032.56

REF NO.	PART NO.	QTY. LH	QTY. RH	DESCRIPTION
	3751100	1	-	LH BASE HOSE KIT
	3751101	-	1	RH BASE HOSE KIT
1	3751100.01	1	1	HOSE: 3/8" - 1650mm
2	3751100.02	1	1	HOSE: 1/2" - 500mm
5	3751100.05	2	2	HOSE: 1/4" - 2800mm
6	3751100.06	1	1	HOSE: 1/4" - 1280mm
7	3751100.07	1	1	HOSE: 1/4" - 2600mm
8	3751100.08	2	2	HOSE: 1/4" - 1380mm
9	3751100.09	1	1	HOSE: 1/4" - 800mm
10	3751100.10	1	1	HOSE: 1/4" - 650mm
11	3751100.11	1	1	HOSE: 1/4" - 850mm
12	3751100.12	1	1	HOSE: 1/4" - 2800mm
13	3751100.13	1	1	HOSE: 1 1/2" - 420mm
14	3751100.14	1	-	HOSE: 1/4" - 500mm
14	3751101.01	-	1	HOSE: 1/4" - 850mm
15	3751100.15	1	-	HOSE: 1/4" - 220mm
15	3751101.02	-	1	HOSE: 1/4" - 370mm
16	43543.10	2	2	HOSE SLEEVE: 1200mm SM
17	43543.12	1	1	HOSE SLEEVE: 400mm SM
18	43543.16	1	1	HOSE SLEEVE: 2500mm SM
19	06.023.01	15	15	CABLE TIE - LRG
20	30.058.66	10	10	CABLE TIE - SM

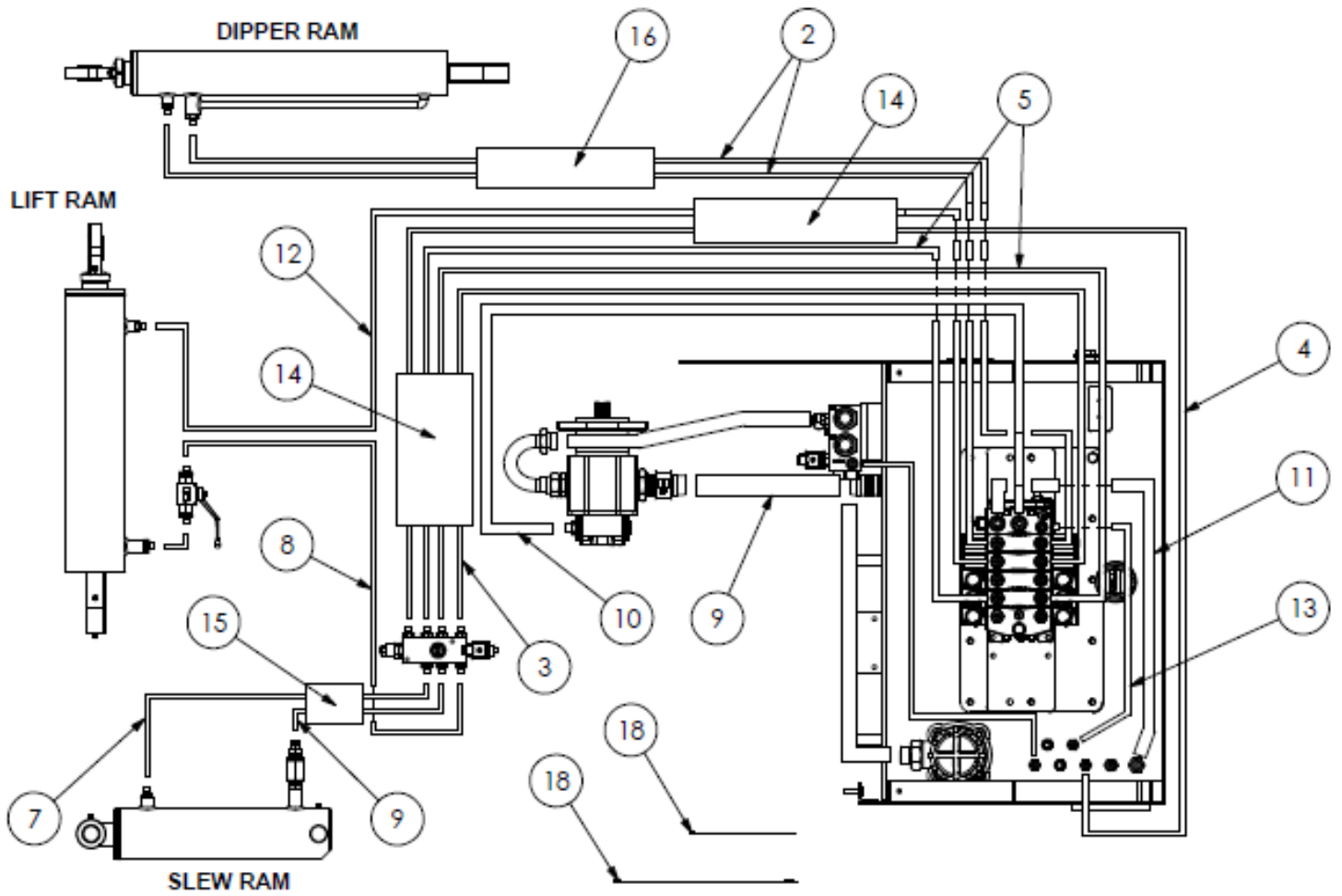
Spearhead TWIGA

CABLE SD5 BASE HOSE KIT - S180032.I15

REF NO.	PART NO.	QTY. LH	DESCRIPTION
	3751103	1	BASE HOSE KIT
1	3751100.01	1	HOSE: 3/8" - 1650mm
2	3751100.05	2	HOSE: 1/4" - 2800mm
3	3751100.07	1	HOSE: 1/4" - 2600mm
4	3751100.08	2	HOSE: 1/4" - 1380mm
5	3751100.09	1	HOSE: 1/4" - 800mm
6	3751100.10	1	HOSE: 1/4" - 650mm
7	3751100.12	1	HOSE: 1/4" - 2800mm
8	3751100.13	1	HOSE: 1 1/2" - 420mm
9	3751103.01	1	HOSE: 1/4" - 2130mm
10	3751103.02	1	HOSE: 1/2" - 400mm
11	43543.10	2	HOSE SLEEVE: 1200mm SM
12	43543.12	1	HOSE SLEEVE: 400mm SM
13	43543.16	1	HOSE SLEEVE: 2500mm SM
14	06.023.01	15	CABLE TIE - LRG
15	30.058.66	10	CABLE TIE - SM

Spearhead TWIGA

SDS100 BASE HOSE KIT - S180032.66



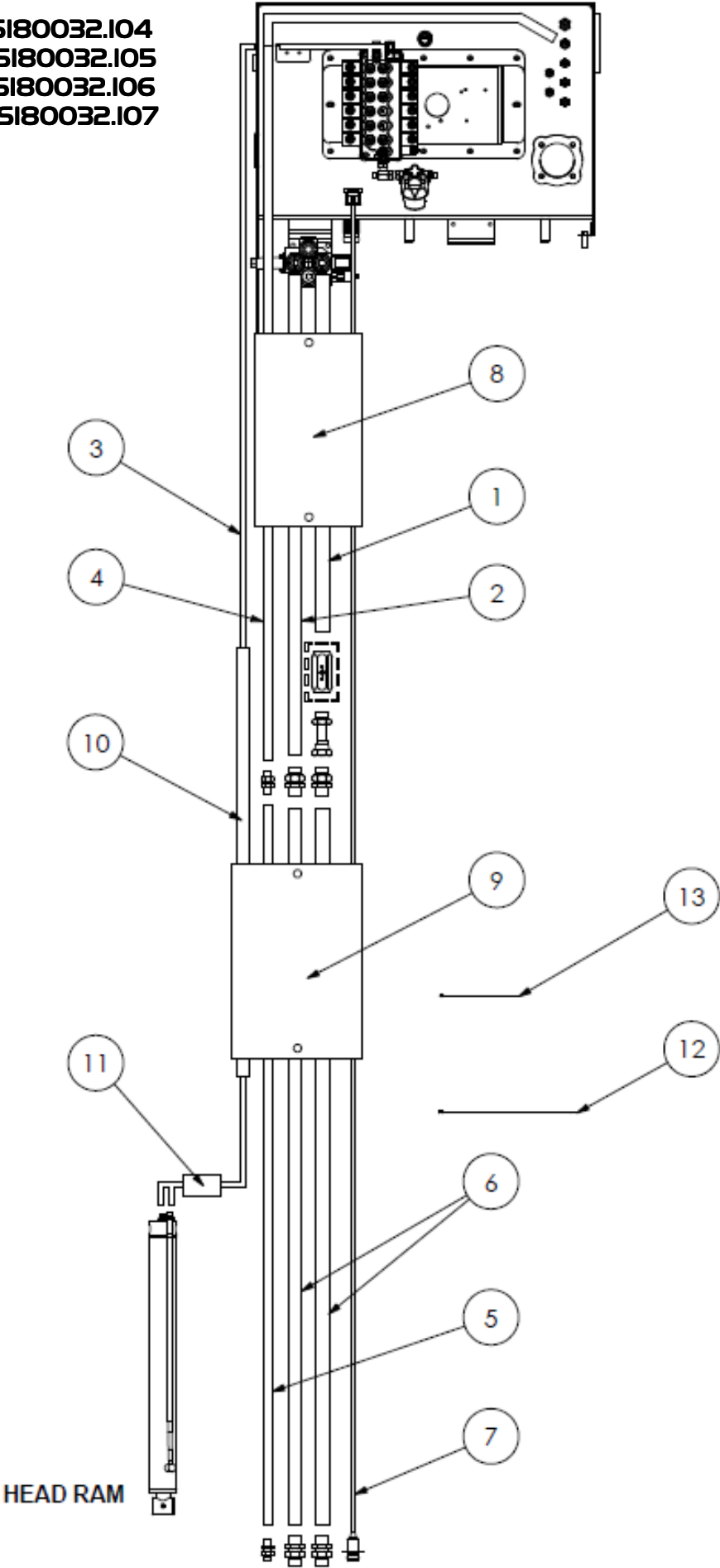
Spearhead TWIGA

SDS100 BASE HOSE KIT - S180032.66

REF NO.	PART NO.	QTY. LH	DESCRIPTION
	3751102	1	BASE HOSE KIT
2	3751100.05	2	HOSE: 1/4" - 2800mm
3	3751100.06	1	HOSE: 1/4" - 1280mm
4	3751100.07	1	HOSE: 1/4" - 2600mm
5	3751100.08	2	HOSE: 1/4" - 1380mm
6	3751100.09	1	HOSE: 1/4" - 800mm
7	3751100.10	1	HOSE: 1/4" - 650mm
8	3751100.11	1	HOSE: 1/4" - 850mm
9	3751100.13	1	HOSE: 1 1/2" - 420mm
10	3751102.01	1	HOSE: 3/8" - 1650mm
11	3751102.02	1	HOSE: 1/2" - 700mm
12	3751102.03	1	HOSE: 1/4" - 2600mm
13	3751102.04	1	HOSE: 1/4" - 220mm
14	43543.10	2	HOSE SLEEVE: 1200mm SM
15	43543.12	1	HOSE SLEEVE: 400mm SM
16	43543.16	1	HOSE SLEEVE: 2500mm SM
17	06.023.01	15	CABLE TIE - LRG
18	30.058.66	10	CABLE TIE - SM

Spearhead TWIGA

- LH 555 ARM HOSE KIT - SI80032.104
- RH 555 ARM HOSE KIT - SI80032.105
- LH 600 ARM HOSE KIT - SI80032.106
- RH 600 ARM HOSE KIT - SI80032.107



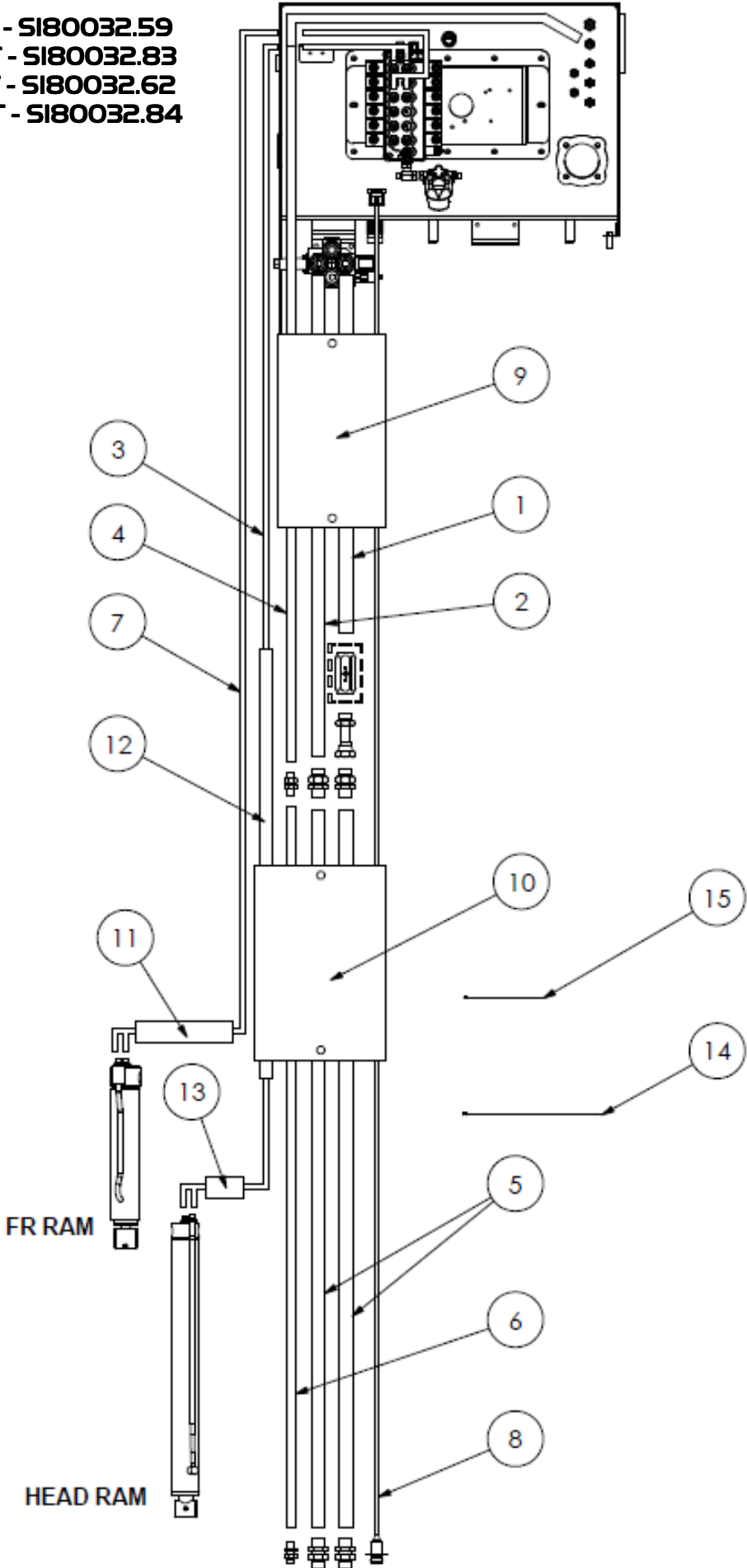
Spearhead TWIGA

LH 555 ARM HOSE KIT - S180032.I04
 RH 555 ARM HOSE KIT - S180032.I05
 LH 600 ARM HOSE KIT - S180032.I06
 RH 600 ARM HOSE KIT - S180032.I07

REF NO.	PART NO.	32.104	32.105	32.106	32.107	DESCRIPTION
	3751557	1	-	-	-	LH 555 ARM HOSE KIT
	3751558	-	1	-	-	RH 555 ARM HOSE KIT
	3751603	-	-	1	-	LH 600 ARM HOSE KIT
	3751604	-	-	-	1	RH 600 ARM HOSE KIT
1	3751555.01	1	1	-	-	HOSE: 1" - 2960mm
1	3751601.01	-	-	1	1	HOSE: 1" - 3160mm
2	3751555.02	1	1	-	-	HOSE: 1" - 2830mm
2	3751601.02	-	-	1	1	HOSE: 1" - 3030mm
3	3751557.01	2	2	-	-	HOSE: 1/4" - 6000mm
3	3751603.01	-	-	2	2	HOSE: 1/4" - 6400mm
4	3751557.02	1	1	-	-	HOSE: 1/2" - 4500mm
4	3751603.02	-	-	1	1	HOSE: 1/2" - 4800mm
5	3751557.03	1	-	-	-	HOSE: 1/2" - 2410mm
5	3751558.01	-	1	-	-	HOSE: 1/2" - 2410mm
5	3751603.03	-	-	1	-	HOSE: 1/2" - 2610mm
5	3751604.01	-	-	-	1	HOSE: 1/2" - 2610mm
6	3751557.02	1	-	-	-	HOSE: 1" - 2410mm
6	3751558.02	-	1	-	-	HOSE: 1" - 2410mm
6	3751603.04	-	-	1		HOSE: 1" - 2610mm
6	3751604.02	-	-	-	1	HOSE: 1" - 2610mm
7	8770780	1	1	1	1	ARM LOOM
8	3870501	1	1	1	1	HOSE SLEEVE: 1500mm LRG
9	3870502	1	1	1	1	HOSE SLEEVE: 1200mm LRG
10	43543.08	1	1	1	1	HOSE SLEEVE: 1800mm SM
11	43543.12	1	1	1	1	HOSE SLEEVE: 400mm SM
12	06.023.01	10	10	10	10	CABLE TIE - LRG
13	30.058.66	5	5	5	5	CABLE TIE - SM

Spearhead TWIGA

LH 555FR ARM HOSE KIT - S180032.59
RH 555FR ARM HOSE KIT - S180032.83
LH 600FR ARM HOSE KIT - S180032.62
RH 600FR ARM HOSE KIT - S180032.84



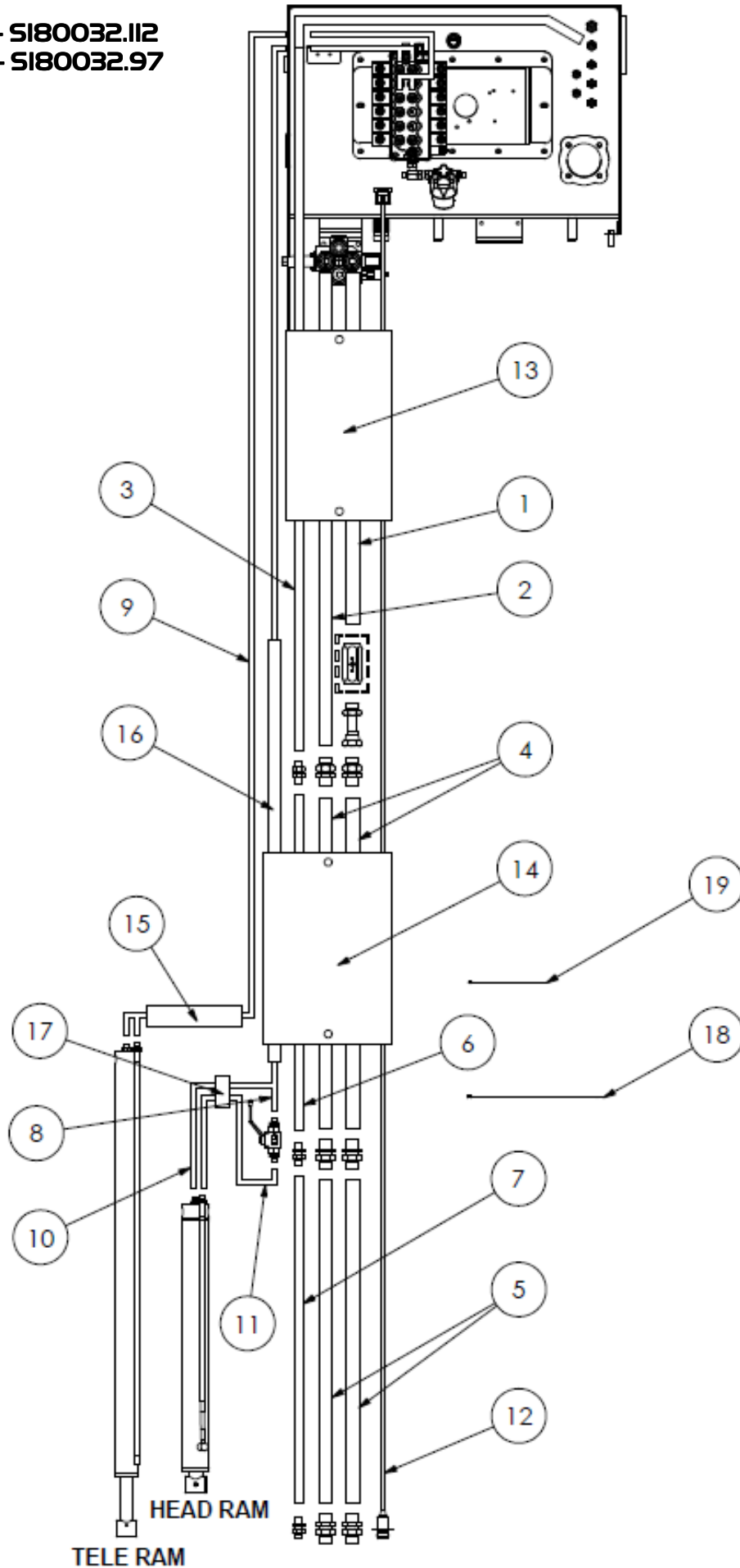
Spearhead TWIGA

LH 555FR ARM HOSE KIT - SI80032.59
 RH 555FR ARM HOSE KIT - SI80032.83
 LH 600FR ARM HOSE KIT - SI80032.62
 RH 600FR ARM HOSE KIT - SI80032.84

REF NO.	PART NO.	32.59	32.83	32.62	32.84	DESCRIPTION
	3751559	1	-	-	-	LH 555FR ARM HOSE KIT
	3751554	-	1	-	-	RH 555FR ARM HOSE KIT
	3751602	-	-	1	-	LH 600FR ARM HOSE KIT
	3751608	-	-	-	1	RH 600FR ARM HOSE KIT
1	3751555.01	1	1	-	-	HOSE: 1" - 2960mm
1	3751601.01	-	-	1	1	HOSE: 1" - 3160mm
2	3751555.02	1	1	-	-	HOSE: 1" - 2830mm
2	3751601.02	-	-	1	1	HOSE: 1" - 3030mm
3	3751556.03	2	2	-	-	HOSE: 1/4" - 6650mm
3	3751602.03	-	-	2	2	HOSE: 1/4" - 6850mm
4	3751557.02	1	1	-	-	HOSE: 1/2" - 4500mm
4	3751603.02	-	-	1	1	HOSE: 1/2" - 4800mm
5	3751559.01	1	-	-	-	HOSE: 1" - 3160mm
5	3751554.01	-	1	-	-	HOSE: 1" - 3160mm
5	3751602.01	-	-	1		HOSE: 1" - 3360mm
5	3751608.01	-	-	-	1	HOSE: 1" - 3360mm
6	3751559.02	1	-	-	-	HOSE: 1/2" - 3160mm
6	3751554.02	-	1	-	-	HOSE: 1/2" - 3160mm
6	3751602.02	-	-	1	-	HOSE: 1/2" - 3360mm
6	3751608.02	-	-	-	1	HOSE: 1/2" - 3360mm
7	3751655.06	2	2	2	2	HOSE: 1/4" - 4700mm
8	8770780	1	1	1	1	ARM LOOM
9	3870501	1	1	1	1	HOSE SLEEVE: 1500mm LRG
10	3870503	1	1	1	1	HOSE SLEEVE: 2000mm LRG
11	43543.05	1	1	1	1	HOSE SLEEVE: 800mm SM
12	43543.08	1	1	1	1	HOSE SLEEVE: 1800mm SM
13	43543.12	1	1	1	1	HOSE SLEEVE: 400mm SM
14	06.023.01	10	10	10	10	CABLE TIE - LRG
15	30.058.66	5	5	5	5	CABLE TIE - SM

Spearhead TWIGA

655T ARM HOSE KIT - S180032.112
700T ARM HOSE KIT - S180032.97



Spearhead TWIGA

655T ARM HOSE KIT - S180032.112
700T ARM HOSE KIT - S180032.97

REF NO.	PART NO.	655T	700T	DESCRIPTION
	3751656	1	-	655T ARM HOSE KIT
	3751701	-	1	700T ARM HOSE KIT
1	3751601.01	1	-	HOSE: 1" - 3160mm
1	3751701.01	-	1	HOSE: 1" - 3440mm
2	3751601.02	1	-	HOSE: 1" - 3030mm
2	3751701.02	-	1	HOSE: 1" - 3310mm
3	3751603.02	1	-	HOSE: 1/2" - 4800mm
3	3751701.03	-	1	HOSE: 1/2" - 4780mm
4	3751655.01	2	2	HOSE: 1" - 1330mm
5	3751655.02	1	-	HOSE: 1" - 1575mm
5	3751701.04	-	1	HOSE: 1" - 1850mm
6	3751701.05	1	1	HOSE: 1/2" - 1360mm
7	3751656.01	1	-	HOSE: 1/2" - 1575mm
7	3751701.06	-	1	HOSE: 1/2" - 1900mm
8	3751656.02	1	-	HOSE: 1/4" - 6800mm
8	3751701.07	-	1	HOSE: 1/4" - 7350mm
9	3751655.06	2	-	HOSE: 1/4" - 4700mm
9	3751701.08	-	2	HOSE: 1/4" - 4980mm
10	3751656.03	1	-	HOSE: 1/4" - 7300mm
10	3751701.09	-	1	HOSE: 1/4" - 7850mm
11	3751890.12	1	1	HOSE: 1/4" - 340mm
12	8770780	1	1	ARM LOOM
13	3870501	1	1	HOSE SLEEVE: 1500mm LRG
14	3870502	1	1	HOSE SLEEVE: 1200mm LRG
15	43543.05	1	1	HOSE SLEEVE: 800mm SM
16	43543.08	1	1	HOSE SLEEVE: 1800mm SM
17	43543.12	1	1	HOSE SLEEVE: 400mm SM
18	06.023.01	10	10	CABLE TIE - LRG
19	30.058.66	5	5	CABLE TIE - SM

Spearhead Machinery Ltd
Green View
Salford Priors
Evesham
Worcestershire
WR11 8SW
Tel: 01789 491860
Fax: 01789 778683
www.spearheadmachinery.com
enquiries@spearheadmachinery.com