

# Spearhead

## STARCUT 910/1210



FOR BONDIOLI & WALTERSCHEID DRIVELINES

Edition 1.0 - September 2010  
Part No. 8999055

## PARTS MANUAL

**Spearhead**  
**Starcut 1210**  
**Parts Book**

**BONDIOLI/WALTERSCHEID**

**1<sup>st</sup> Edition – September 2010**

Spearhead Machinery Ltd  
Green View  
Salford Priors  
Evesham  
Worcestershire  
WR11 8SW  
Tel: 01789 491860  
Fax: 01789 778683  
[enquiries@spearheadmachinery.com](mailto:enquiries@spearheadmachinery.com)  
[www.spearheadmachinery.com](http://www.spearheadmachinery.com)

# Spearhead Starcut 1210

---

## Contents

Ordering Your Parts	3
Centre Section	4
Inner Wing Section	6
Middle Wing Section	8
Outer Wing Section	10
Centre Axle	12
Wing Axle	14
Std Drawbar	16
Tie-Bar Assembly	18
Inner Wing Ram Assembly	20
Middle Wing Ram Assembly	21
Outer Wing Ram Assembly	22
Axle Ram Assembly	23
Wing Ram Assembly	23
Height Ram Assembly	24
Euro Light Kit	26
Std Blade Carrier Assembly	28
HD Blade Carrier Assembly	36
Replaceable Blade Carrier Parts	43
Input Shaft	44
Centre Shaft	46
Outer Wing Shaft	48
Inner Wing Shaft	50
Clutch	52
Splitter Gearbox	54
Centre Gearbox	56
Inner Wing Gearbox	58
RH Outer Wing Gearbox	60
Decals	62

# Spearhead Starcut 1210

---

## Ordering Your Part's

When ordering parts please refer to your parts list to help your dealer with your order.

Part number and quantity  
Description  
Machine model number  
Serial number of the machine  
Delivery instructions (e.g. next day).

Delivery is normally via carrier direct to your dealer. Please check with your dealer for stock availability and arrangement of dispatch. Ensure you or your dealer has sufficient cover for parts requirement outside factory hours.

When ordering your seal kits please quote both codes stamped on the base of the cylinder.

## Important Note

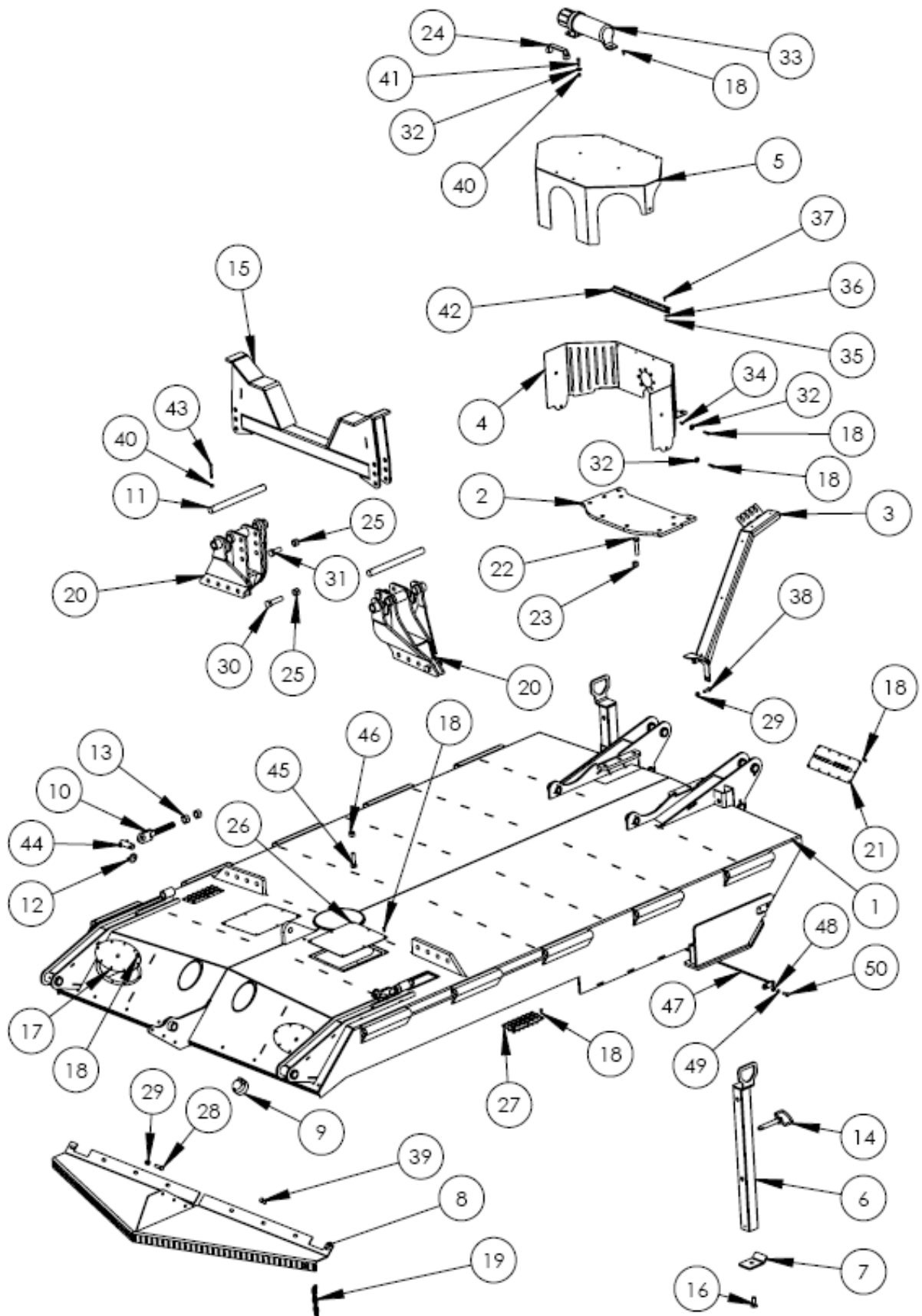
The information contained in this manual is correct at the time of publication. However, in the course of constant development, changes in specification are inevitable. Should you find the information given in this book different to the machine it relates to, please contact the "After Sales Department" for advise.

### Key:

(LH) = Left hand  
(RH) = *Right hand*

# Spearhead Starcut 1210

## CENTRE SECTION



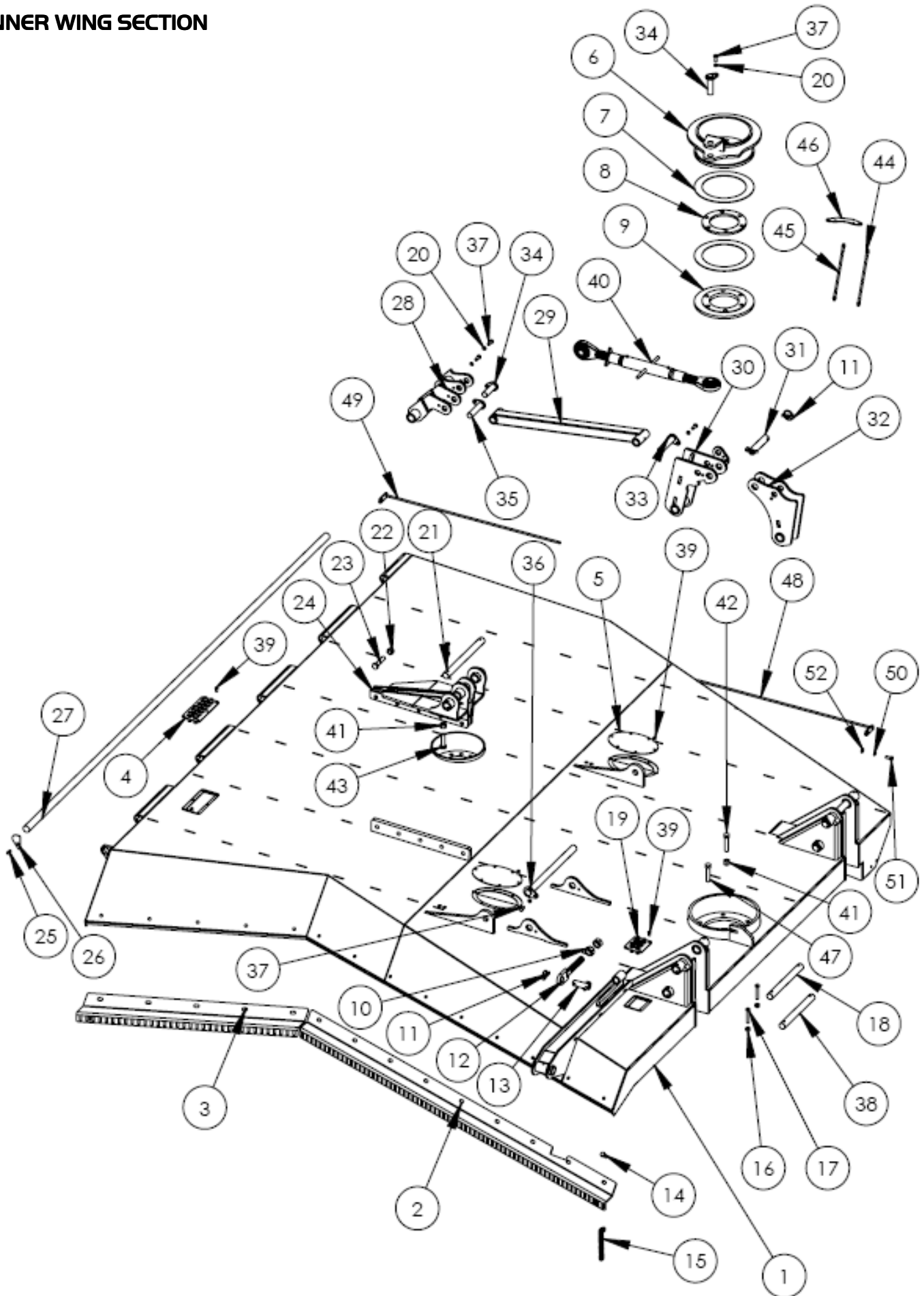
# Spearhead Starcut 1210

## CENTRE SECTION

REF NO	PART NO.	QTY	DESCRIPTION
1	180670	1	CENTRE DECK
2	180608	1	PLATE
3	180601	1	HOSE BRACKET
4	180674	1	GUARD MOUNT
5	180675	1	GUARD
6	180753	2	LEG BOX
7	180634	2	LEG PLATE
8	180676	1	CHAIN GUARD
9	8770771	1	LIGHT LOOM
10	180611	2	ADJUSTER BOLT
11	0022027	2	PIN
12	00.372.01	4	LYNCH PIN
13	2770460	4	NUT
14	6310215	2	PIN
15	180673	1	BRIDGE
16	2770461	2	CSK BOLT
17	180677	2	COVER
18	2770368	56	BOLT
19	46943.21	66	CHAIN - 7 LINK
20	180671	2	RAM MOUNT
21	180679	1	BULKHEAD FRONT
22	05.291.39	4	BOLT
23	2770447	4	NUT
24	8777513	1	HANDLE
25	2770409	24	NUT
26	180066	2	INSPECTION COVER
27	180678	2	BULKHEAD PLATE
28	2770458	3	BOLT
29	2770417	3	NUT
30	05.291.49	8	BOLT
31	05.264.47	12	BOLT
32	2770432	6	WASHER
33	46505.01	1	DOCUMENT FLASK
34	30.216.54	2	RIVNUT M8
35	2770394	8	NUT
36	2770391	8	WASHER
37	2770580	8	SCREW
38	05.264.13	2	BOLT
39	2770484	8	BOLT
40	2770416	6	NUT
41	2770368	2	BOLT
42	180607	1	HINGE
43	2770379	4	BOLT
44	180602	2	PIN
45	2770563	6	BOLT
46	2770447	6	NUT
47	180070	1	CHAIN BAR
48	2770434	1	WASHER
49	2770469	1	SPRING WASHER
50	2770407	1	BOLT

# Spearhead Starcut 1210

## INNER WING SECTION



# Spearhead Starcut 1210

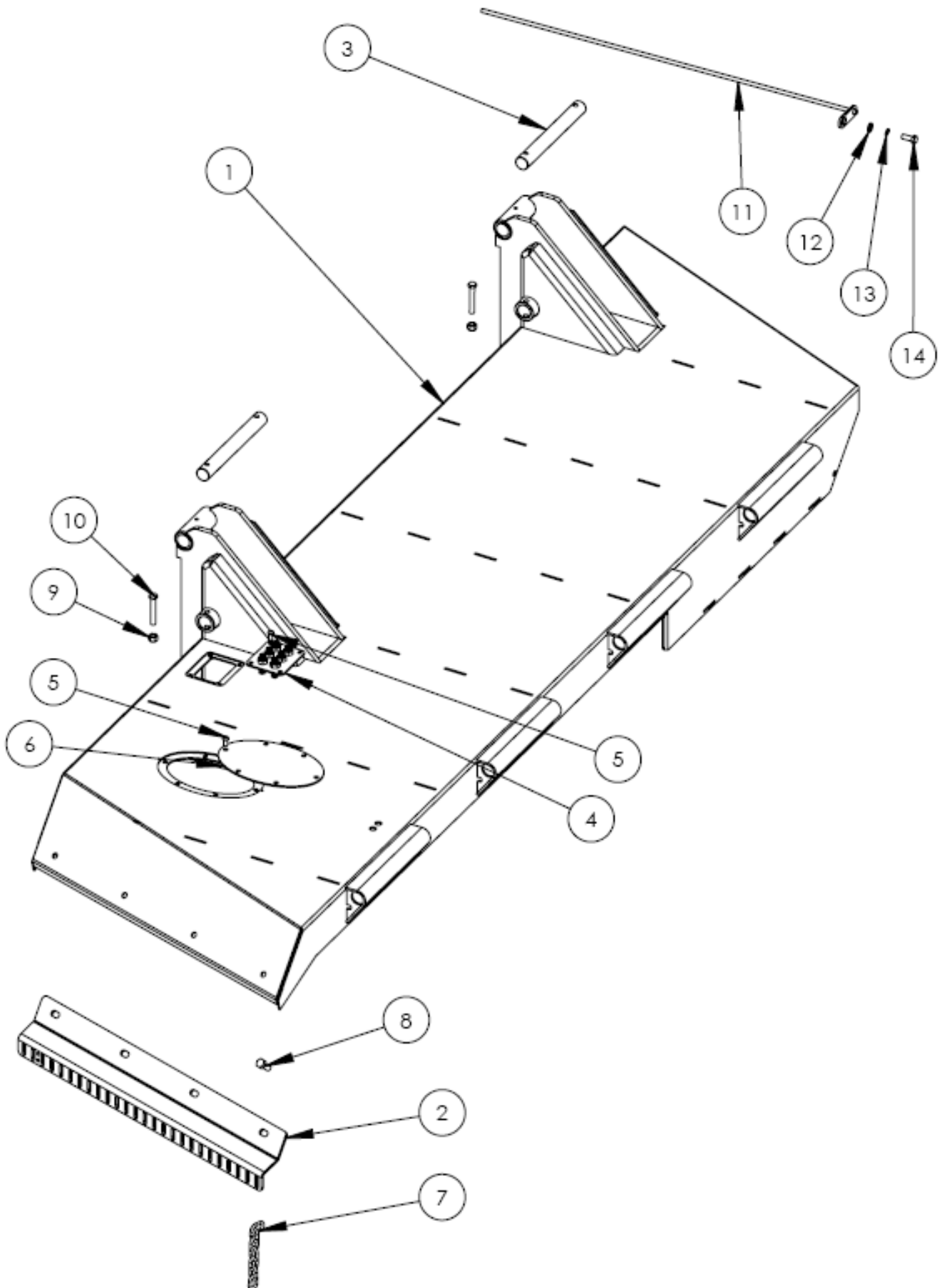
## INNER WING SECTION

REF NO	PART NO.	QTY	DESCRIPTION
1	180681	1	LH INNER WING DECK
	180687	1	RH INNER WING DECK
2	180682	1	LH CHAIN GUARD 1
	180688	1	RH CHAIN GUARD 1
3	180754	1	LH CHAIN GUARD 2
	180689	1	RH CHAIN GUARD 2
4	180678	1	BULKHEAD PLATE
5	180603	2	COVER
6	180685	1	LH SWIVEL PLATE TOP
	180691	1	RH SWIVEL PLATE TOP
7	4600150	2	NYLON PAD
8	180067	1	SPACER
9	180686	1	SWIVEL PLATE BOTTOM
10	2770460	2	NUT
11	00.372.01	1	LYNCH PIN
12	180611	1	ADJUSTER BOLT
13	180602	1	PIN
14	2770484	14	BOLT
15	46943.21	103	CHAIN - 7 LINK
16	2770412	8	NUT
17	05.291.18	8	BOLT
18	0022024	4	PIN
19	180610	1	BULKHEAD PLATE
20	2770469	5	SPRING WASHER
21	0022027	1	PIN
22	2770447	5	NUT
23	2770404	5	BOLT
24	180672	1	WING RAM BRACKET
25	2770431	1	BOLT
26	180865	1	HINGE BAR COVER
27	0022013	1	HINGE BAR
28	180680	1	LH LINKAGE BRACKET
	180696	1	RH LINKAGE BRACKET
29	180692	1	LINKAGE TIE BAR
30	180684	1	LH INNER WING LINK
	180690	1	RH INNER WING LINK
31	180018	1	PIN
32	180695	1	MIDDLE WING LINK
33	180977	1	PIN
34	180975	1	PIN
35	180976	1	PIN
36	180974	1	PIN
37	2770407	5	BOLT
38	0022025	2	PIN
39	2770368	22	BOLT
40	6310245	1	TIE BAR
41	2770447	12	NUT
42	2770635	4	BOLT
43	2770563	6	BOLT
44	45677.01	1	GREASE TUBE LONG
45	45677.01	1	GREASE TUBE SHORT
46	180675	1	GREASE BRACKET
47	2770636	2	GREASE BOLT
48	180071	1	CHAIN BAR 1
49	180072	1	CHAIN BAR 2
50	2770469	2	SPRING WASHER
51	2770407	2	BOLT
52	2770434	2	WASHER



# Spearhead Starcut 1210

## MIDDLE WING SECTION -



# Spearhead Starcut 1210

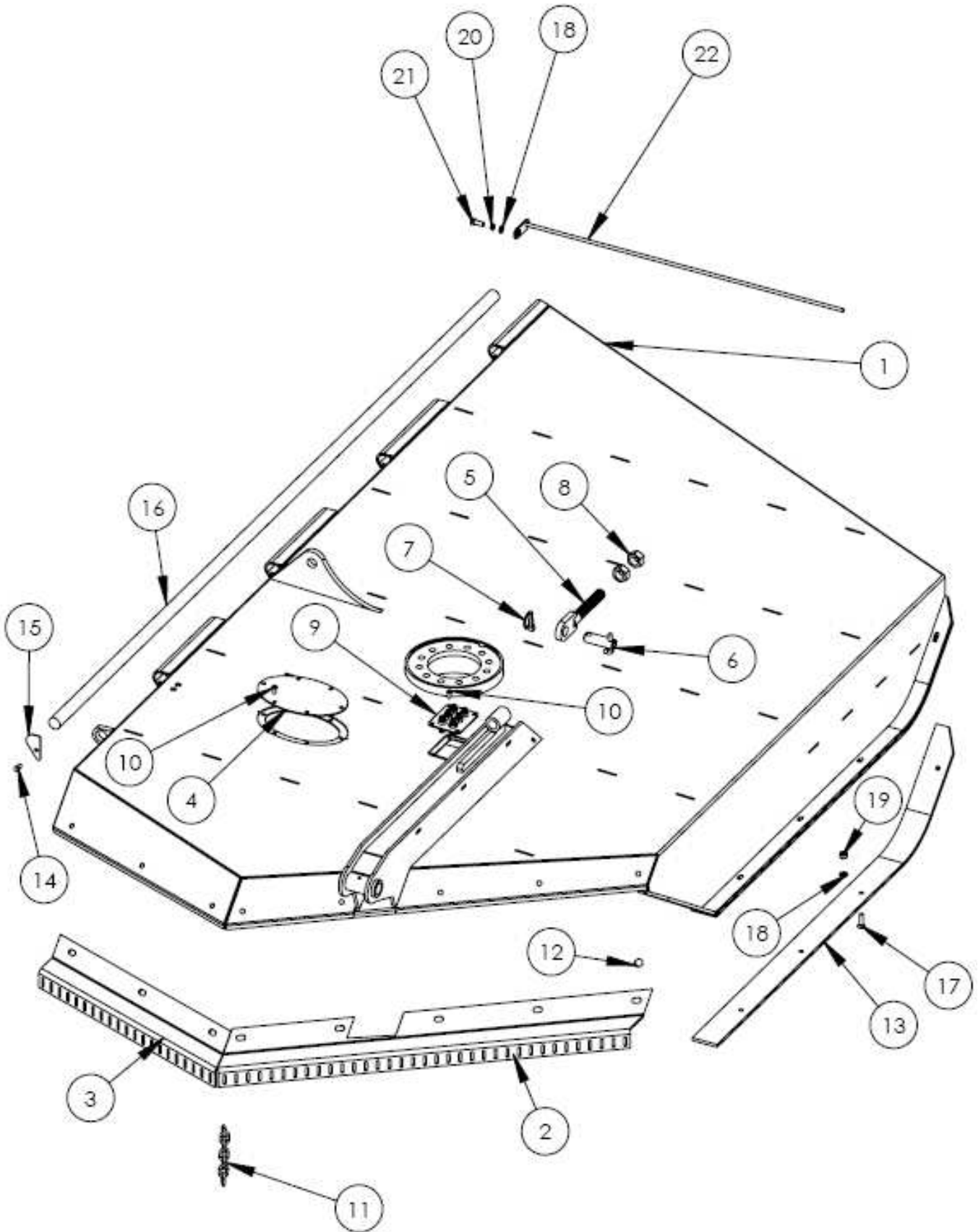
---

## MIDDLE WING SECTION

REF NO	PART NO.	QTY	DESCRIPTION
1	180693	1	LH CENTRE WING DECK
	180697	1	RH CENTRE WING DECK
2	180694	1	LH CHAIN GUARD
	180698	1	RH CHAIN GUARD
3	0022026	2	PIN
4	180610	1	BULKHEAD PLATE
5	2770368	6	BOLT
6	180603	1	COVER
7	46943.21	26	CHAIN - 7 LINK
8	2770484	4	BOLT
9	2770412	2	NUT
10	05.291.18	2	BOLT
11	180073	1	CHAIN BAR
12	2770434	1	WASHER
13	2770469	1	SPRING WASHER
14	2770407	1	BOLT

# Spearhead Starcut 1210

## OUTER WING SECTION



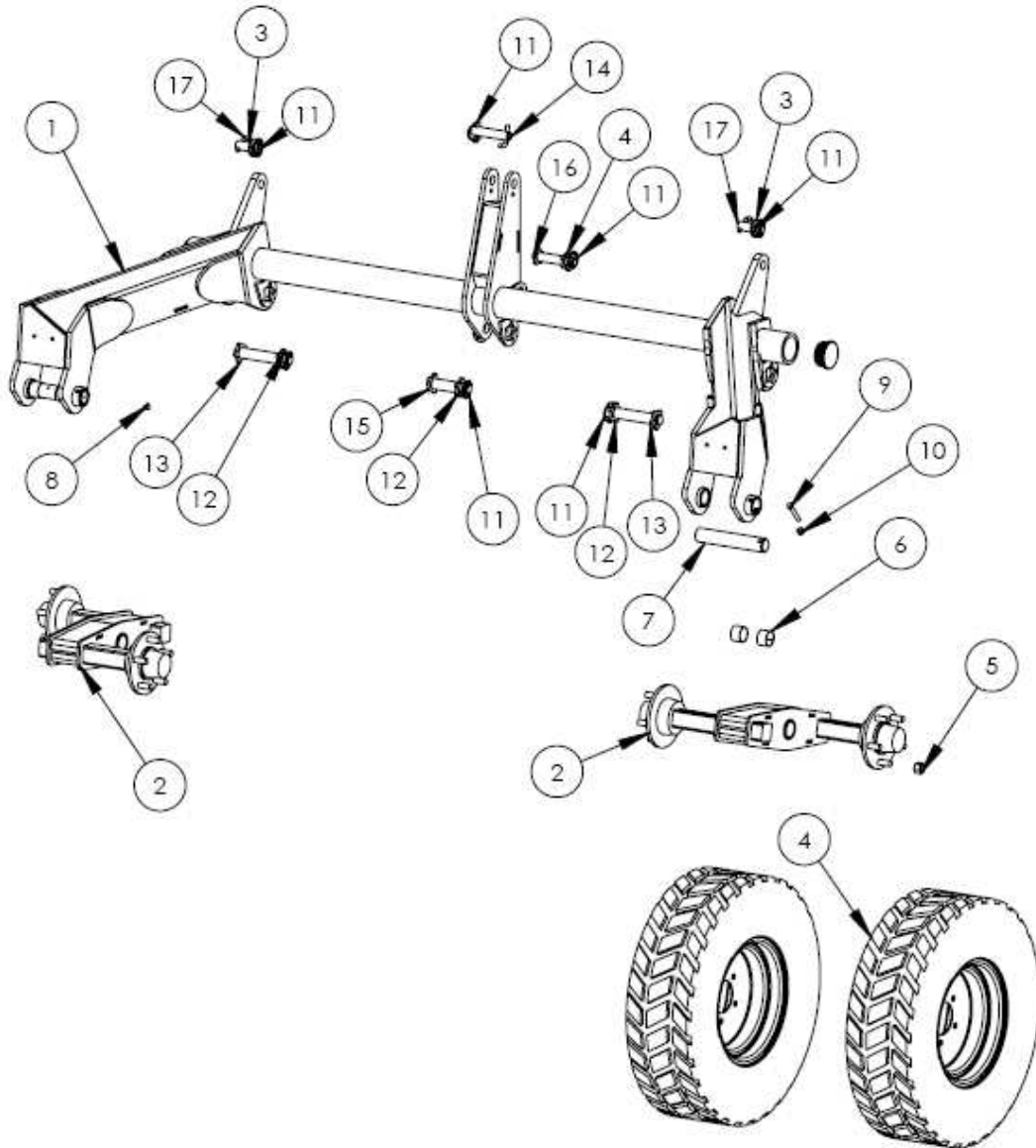
# Spearhead Starcut 1210

## OUTER WING SECTION

REF NO	PART NO.	QTY	DESCRIPTION
1	180750	1	LH OUTER WING DECK
	180755	1	RH OUTER WING DECK
2	180751	1	LH CHAIN GUARD 1
	180756	1	RH CHAIN GUARD 1
3	180752	1	LH CHAIN GUARD 2
	180757	1	RH CHAIN GUARD 2
4	180603	1	COVER
5	180611	1	ADJUSTER BOLT
6	180602	1	PIN
7	00.372.01	1	LYNCH PIN
8	2770460	2	NUT
9	180610	1	BULK HEAD PLATE
10	2770368	10	BOLT
11	46943.21	56	CHAIN - 7 LINK
12	2770484	8	BOLT
13	180068	1	SKID LH
	180069	1	SKID RH
14	2770368	1	BOLT
15	180865	1	HINGE BAR COVER
16	0022014	1	HINGE BAR
17	2770509	4	BOLT
18	2770434	4	WASHER
19	2770412	4	NUT
20	2770407	1	BOLT
21	2770469	1	SPRING WASHER
22	180074	1	CHAIN BAR

# Spearhead Starcut 1210

## CENTRE AXLE



# Spearhead Starcut 1210

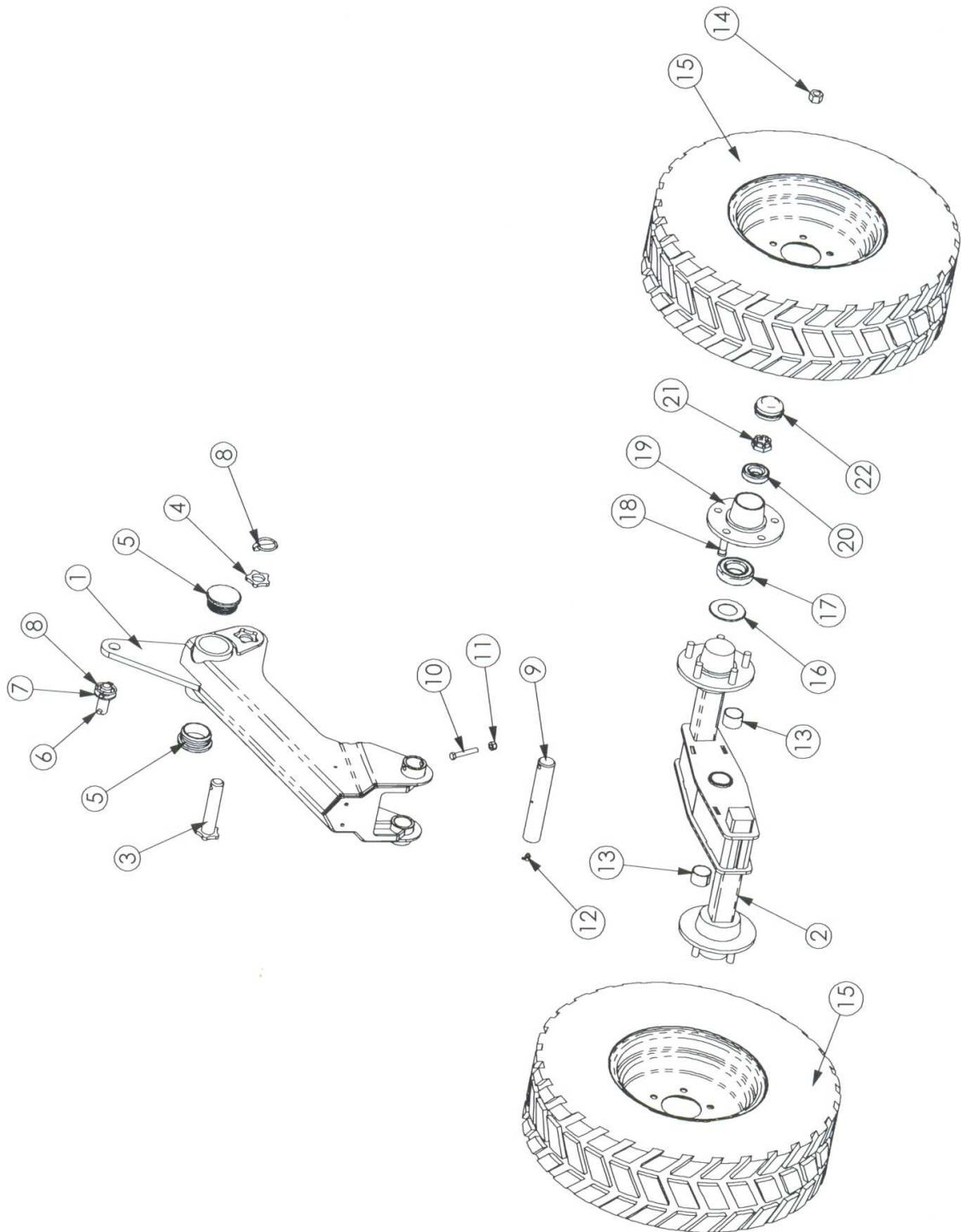
---

## CENTRE AXLE

REF NO	PART NO.	QTY	DESCRIPTION
1	22017	1	CENTER AXLE
2	180627	2	WHEEL AXLE
3	2770470	2	WASHER
4	6550142	4	WHEEL ASSEMBLY
5	6770578	20	WHEEL NUT
6	4600148	4	BUSH
7	180626	2	PIN
8	2770497	2	GREASE NIPPLE
9	05.291.18	2	BOLT
10	2770412	2	NUT
11	00.372.01	7	1/2 INCH PIN
12	180851	3	STAR WASHER
13	180028	3	STAR PIN
14	180625	1	PIN
15	180038	1	STAR PIN
16	180039	1	STAR PIN
17	180602	2	PIN

# Spearhead Starcut 1210

## WING AXLE



# Spearhead Starcut 1210

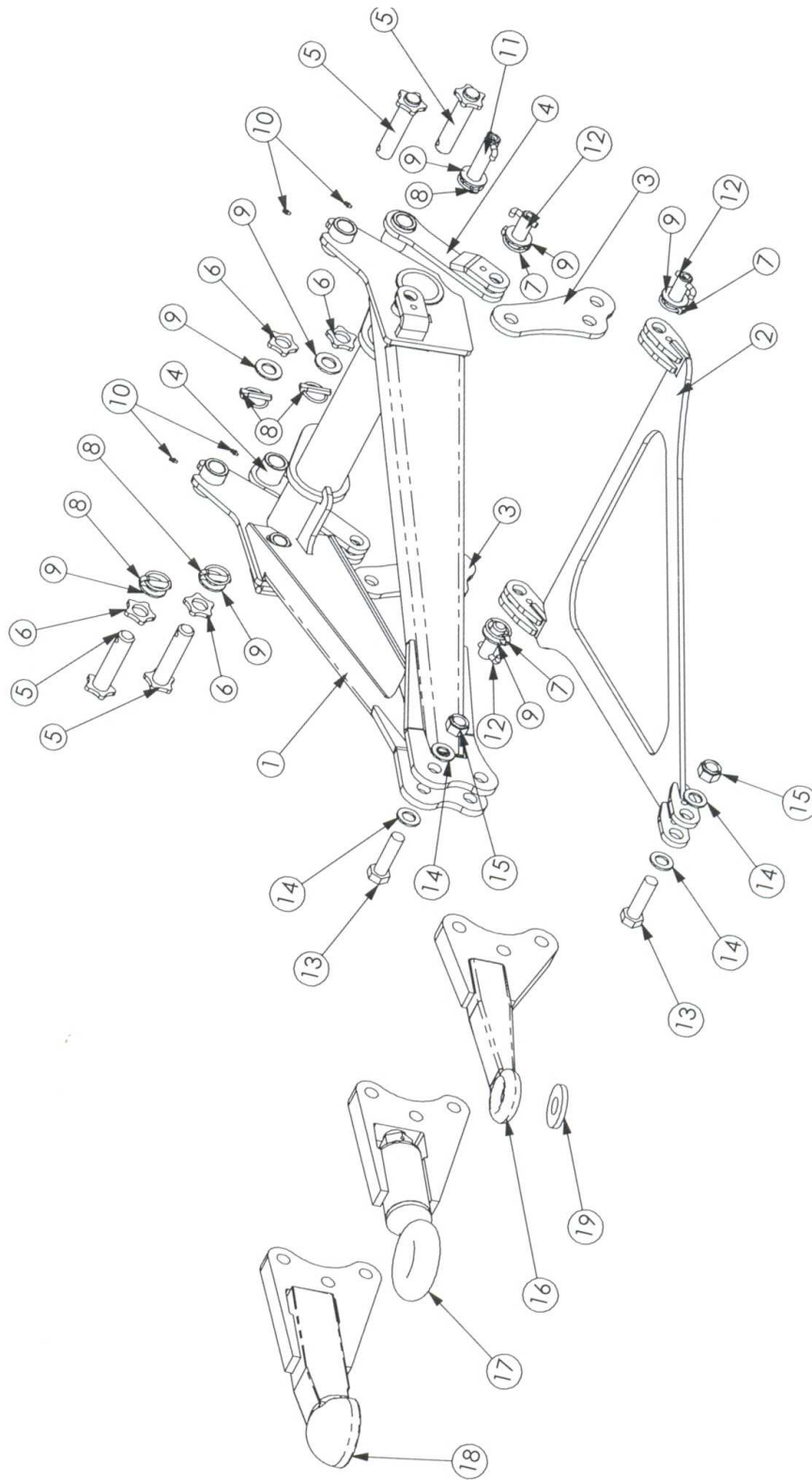
## WING AXLE

REF NO	PART NO.	QTY	DESCRIPTION
1	180628	1	WING AXLE
2	180627	1	WHEEL AXLE
3	180854	1	STAR PIN
4	180851	1	STAR WASHER
5	8777512	2	PLASTIC CAP
6	180602	1	PIN
7	05.281.16	1	WASHER
8	00.372.01	2	LYNCH PIN
9	180626	1	PIN
10	05.291.20	1	BOLT
11	2770412	1	NUT
12	2770497	1	GREASE NIPPLE
13	4600148	2	BUSH
14	6770578	10	WHEEL NUT
15	6550142	2	WHEEL ASSEMBLY
16	4770661	-	SEAL
17	4770660	-	INNER BEARING
18	6770579	-	WHEEL STUD 5 PER WHEEL
19	6770582	-	COMPLETE HUB ASSEMBLY
20	4770659	-	OUTER BEARING
21	6770583	-	CASTLE NUT
22	6770582.01	-	DUST CAP ROC



# Spearhead Starcut 1210

## STD DRAWBAR



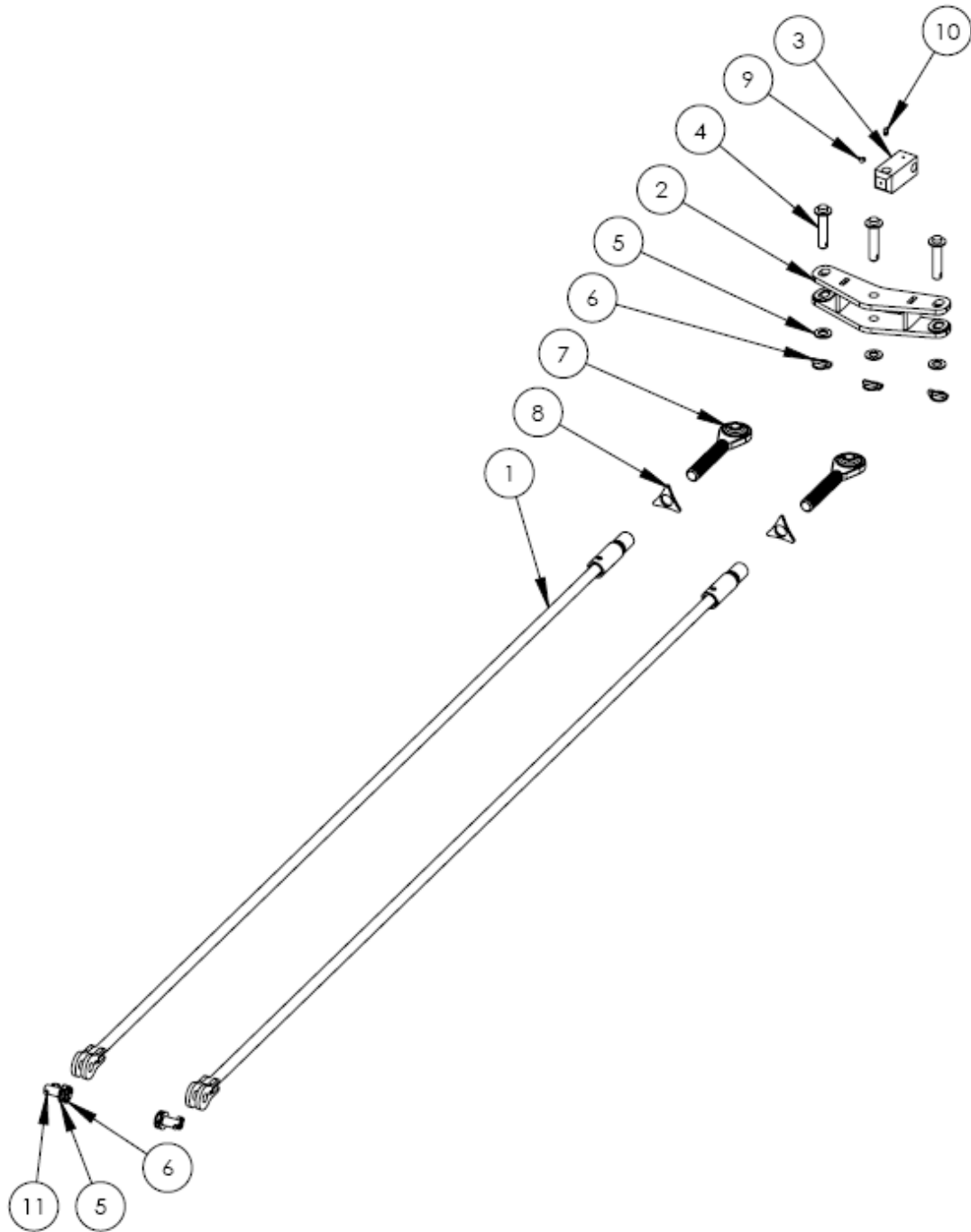
# Spearhead Starcut 1210

## STD DRAWBAR

REF NO	PART NO.	QTY	DESCRIPTION
1	180630	1	DRAWBAR
2	180631	1	PARALLEL LINK
3	180635	2	CONNECTING LINK
4	180632	2	DRAG LINK
5	180853	4	STAR PIN
6	180851	4	STAR WASHER
7	6310222	4	LYNCH PIN
8	00.372.01	6	LYNCH PIN
9	05.281.16	10	WASHER
10	2770467	4	GREASE NIPPLE
11	180625	2	PIN
12	180602	4	PIN
13	05.285.04	2	BOLT
14	2770464	4	WASHER
15	2770414	2	NUT
16	180629	1	STD TOWING EYE
17	180649	-	SWIVEL TOWING EYE
18	180664	-	SCHARMULLER K80 TOWING EYE
19	4600139	1	THRUST WASHER
N/S	180620	2	SHIM WASHER 2x70x26

# Spearhead Starcut 1210

## TIE-BAR ASSEMBLY



# Spearhead Starcut 1210

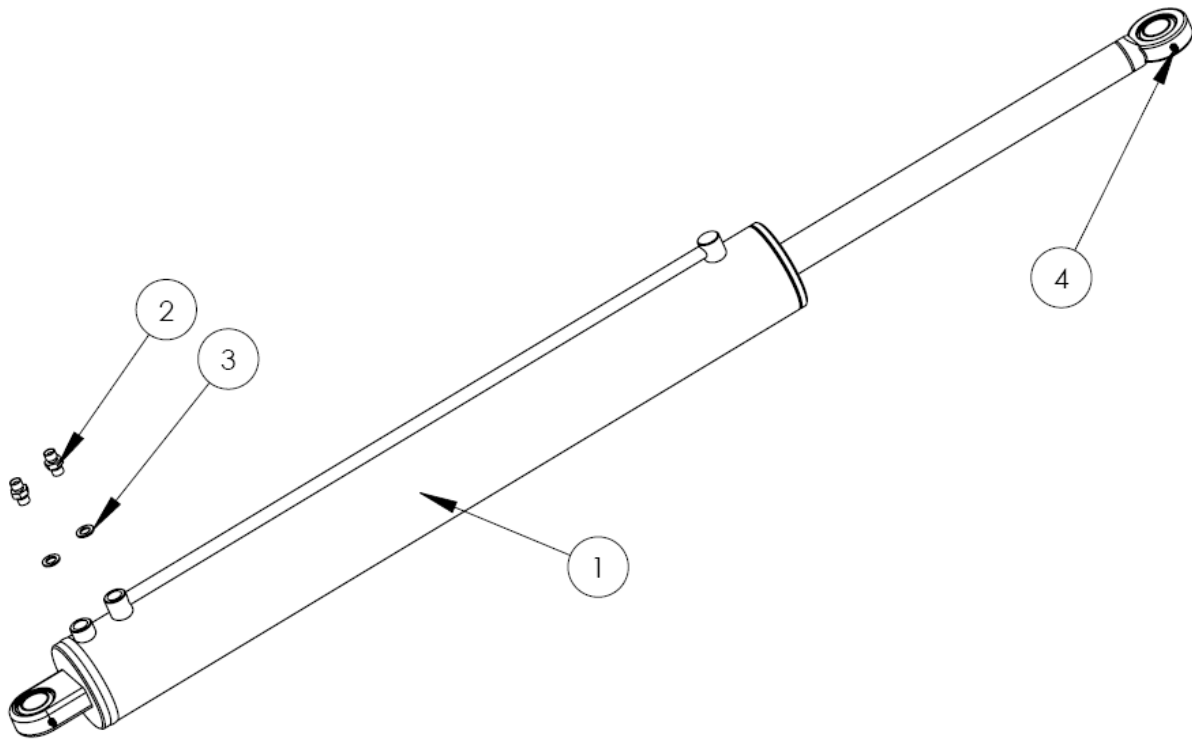
---

## TIE-BAR ASSEMBLY

REF NO	PART NO.	QTY	DESCRIPTION
1	180760	2	TIE BAR
2	180761	1	TIE BAR BRACKET
3	180759	1	CENTRE AXLE BLOCK
4	180991	3	PIN
5	05.281.16	5	WASHER
6	00.372.01	5	LYNCH PIN
7	6310252.01	2	BALL END
8	6310252.02	2	COLAR
9	2770497	1	GREASE NIPPLE
10	2770495	1	GREASE NIPPLE
11	180602	2	PIN

# Spearhead Starcut 1210

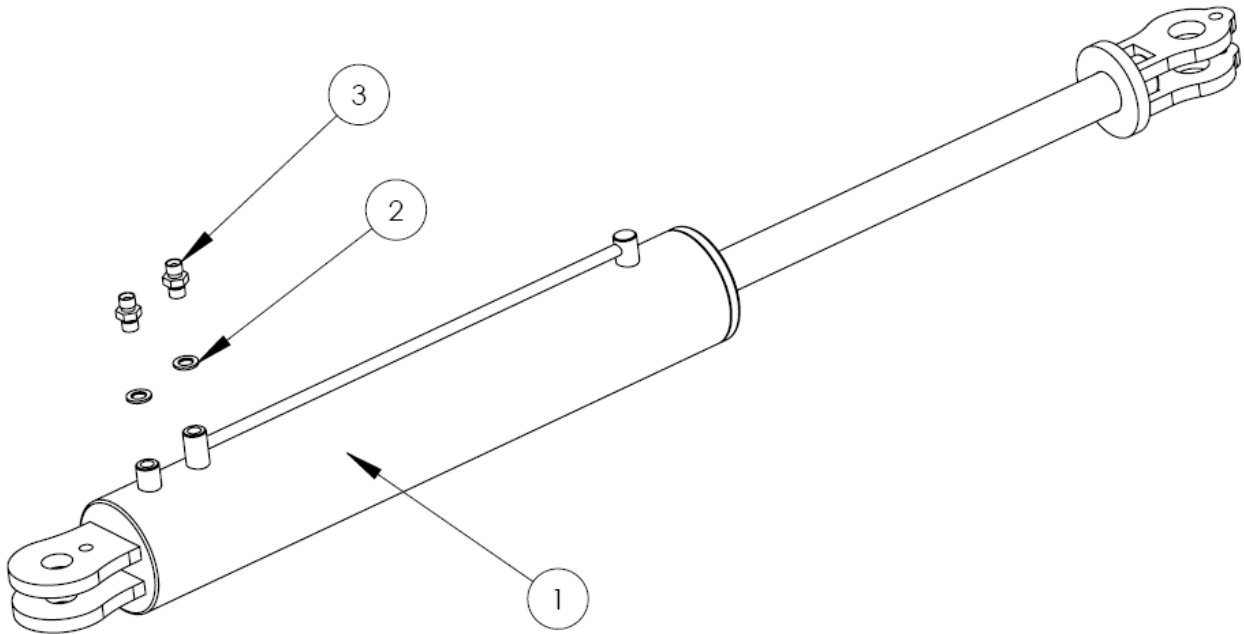
## INNER WING RAM ASSEMBLY



REF NO	PART NO.	QTY	DESCRIPTION
1	3580685	1	RAM
2	3360083	2	ADAPTOR
3	3260071	2	DOWTY
4	01.070.04	2	GREASE NIPPLE
-	3580685.04	1	RAM SEAL KIT

# Spearhead Starcut 1210

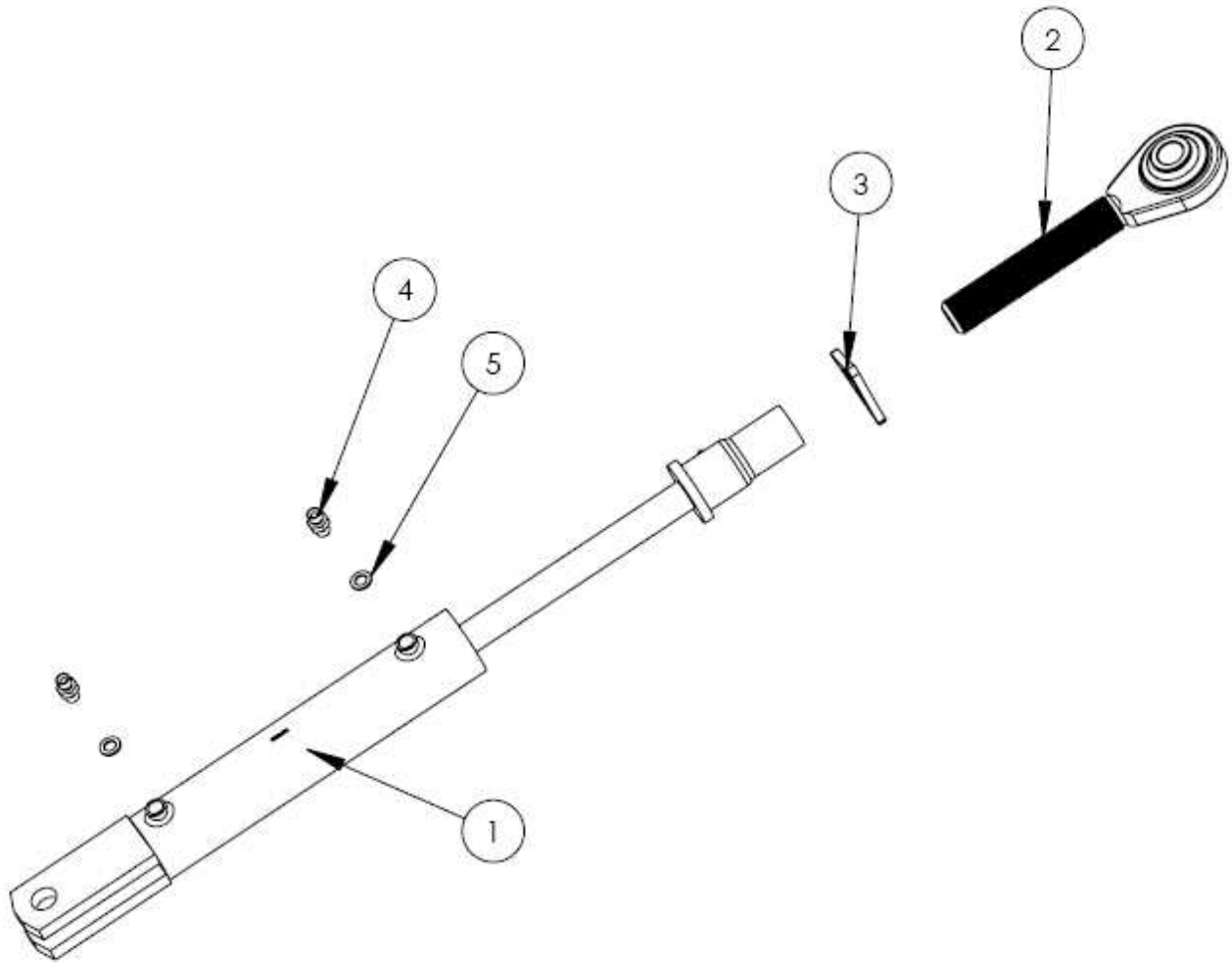
## MIDDLE WING RAM ASSEMBLY



REF NO	PART NO.	QTY	DESCRIPTION
1	3580692	1	RAM
2	3260071	2	DOWTY
3	3360083	2	ADAPTOR
-	3580692.01	1	RAM SEAL KIT

# Spearhead Starcut 1210

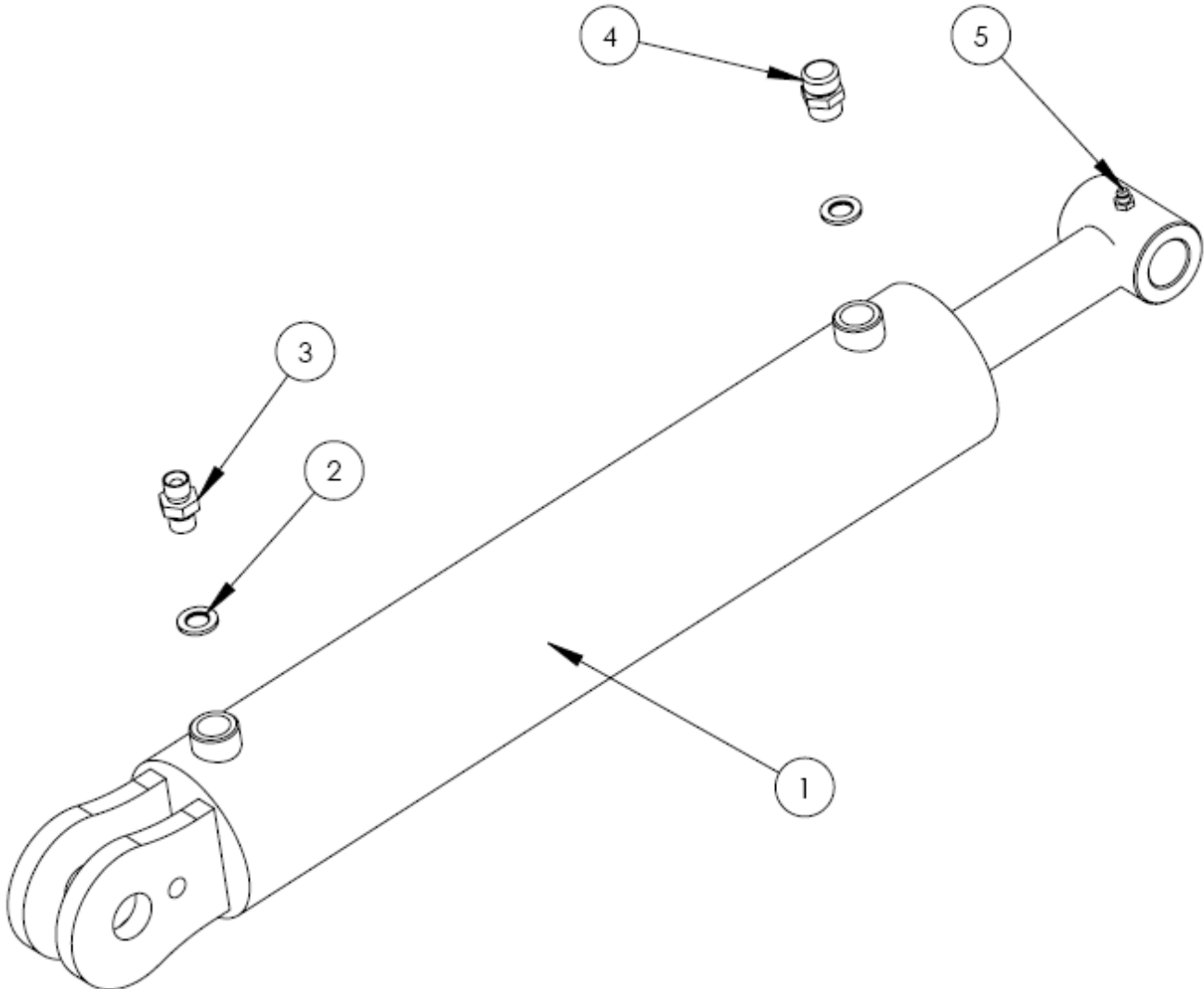
## OUTER WING RAM ASSEMBLY



REF NO	PART NO.	QTY	DESCRIPTION
1	3580693	1	RAM
2	6310252.01	1	BALL END
3	6310252.02	1	COLLAR
4	3360083	2	ADAPTOR
5	3260071	2	DOWTY
-	3580693.01	1	RAM SEAL KIT

# Spearhead Starcut 1210

## AXLE RAM ASSEMBLY

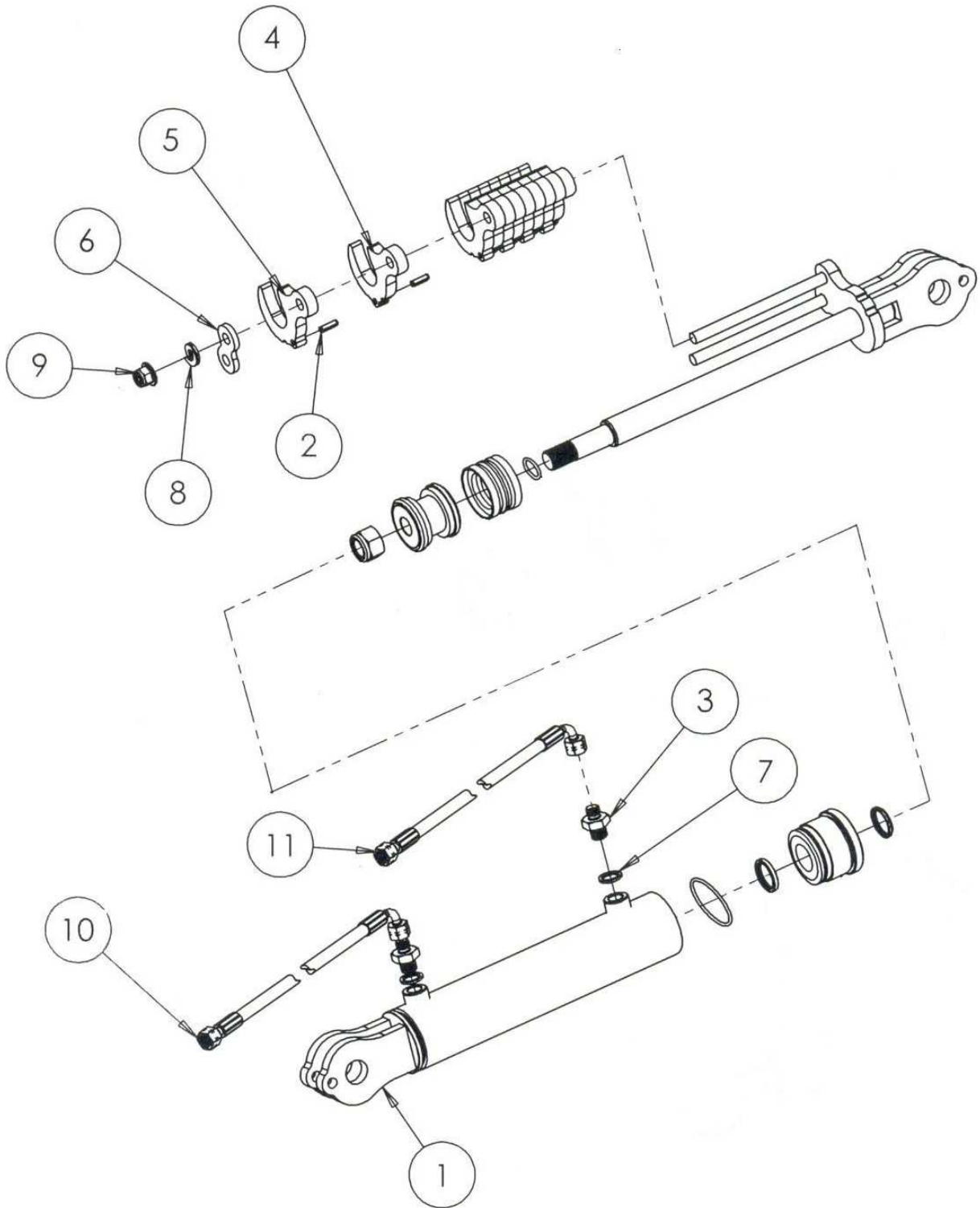


REF NO	PART NO.	QTY	DESCRIPTION
1	3580694	1	RAM
2	3260071	2	DOWTY
3	3360083	1	ADAPTOR
4	3570659	1	BREATHER
5	01.070.04	1	GREASE NIPPLE
-	3580694.01	1	RAM SEAL KIT



# Spearhead Starcut 1210

## HEIGHT RAM ASSEMBLY



# Spearhead Starcut 1210

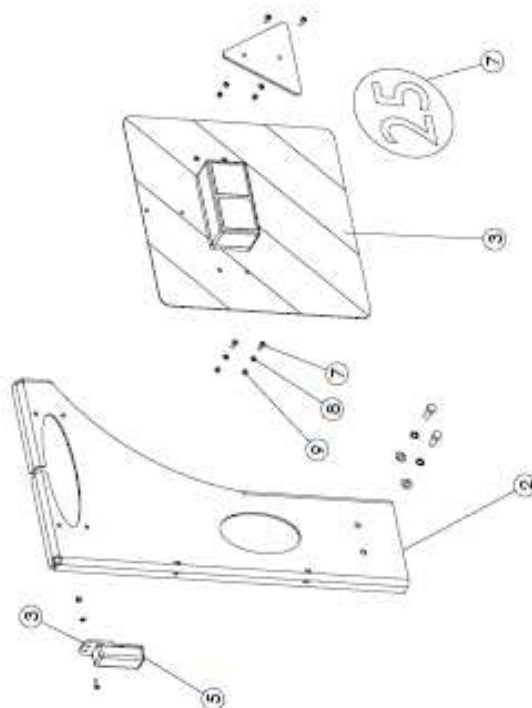
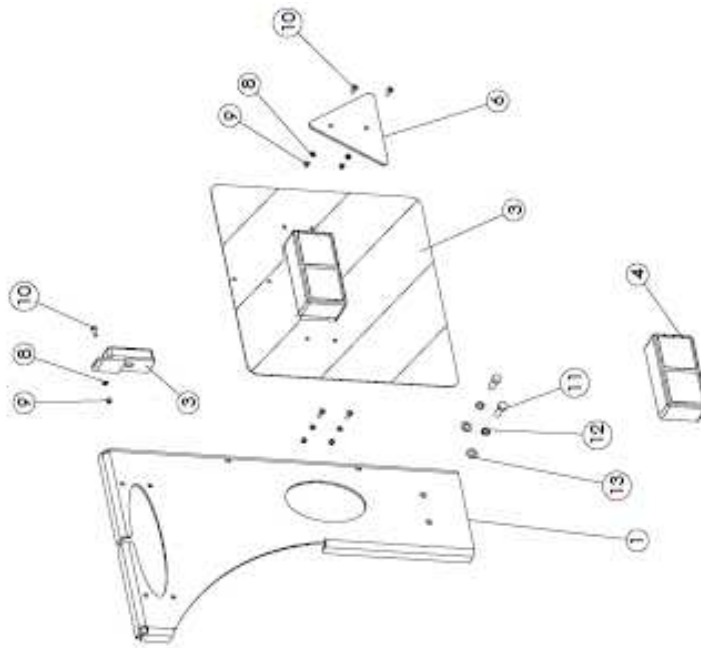
---

## HEIGHT RAM ASSEMBLY

REF NO	PART NO.	QTY	DESCRIPTION
1	3580671	1	RAM ASSEMBLY
2	2770526	10	ROLL PIN
3	3360083	2	ADAPTOR
4	180639	5	SPACER
5	180640	5	SPACER
6	180641	1	PLATE
7	3260071	2	BONDED SEAL
8	2770442	1	SPRING WASHER
9	2770417	2	NUT
10	3770640.01	1	HOSE
11	3770640.02	1	HOSE
-	3580671.06	1	RAM SEAL KIT

# Spearhead Starcut 1210

EURO LIGHT KIT - SI80025.62



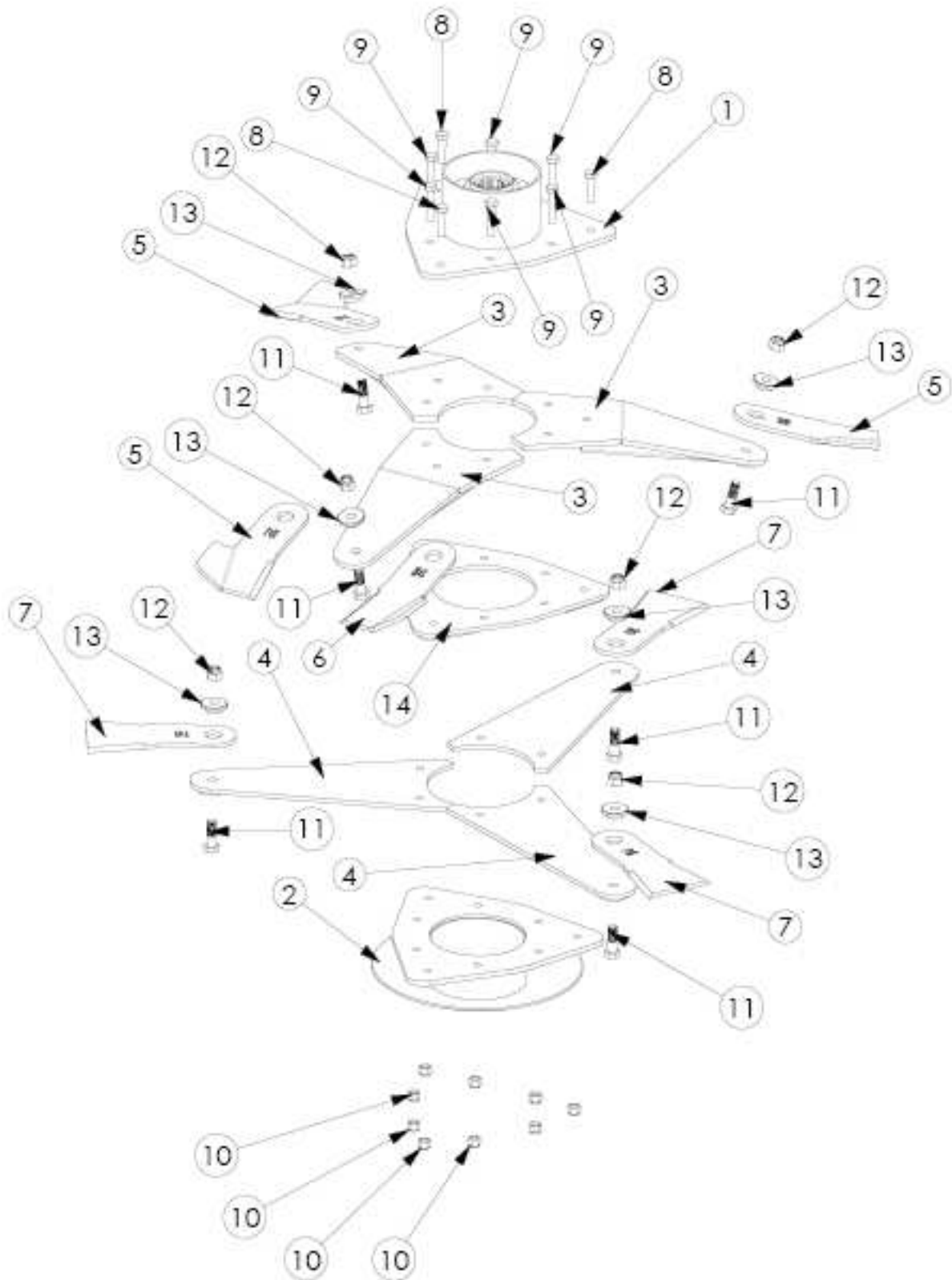
# Spearhead Starcut 1210

EURO LIGHT KIT - S180025.62

Ref No	Part No.	Qty	Description
1	180932	1	RH LIGHT ARM
2	180931	1	LH LIGHT ARM
3	8770742	1	REAR LIGHT LOOM
4	8770659A	2	LENS
5	8770742.01	2	SIDELIGHT LENS
6	8770722	2	REFLECTOR - TRIANGLE
7	8770392	1	25K STICKER
8	2770391	16	WASHER
9	2770394	16	NUT
10	2770580	16	SCREW
11	2770407	4	BOLT
12	2770469	4	SPRING WASHER
13	2770434	4	WASHER
-	7560093	6	REFLECTOR – RECTANGLE (NS)
-	3850103	10	P – CLIP (NS)
-	2770371	10	BOLT (NS)
-	2771408	10	WASHER (NS)

# Spearhead Starcut 1210

## STD BLADE CARRIER ASSEMBLY - CENTRE ROTOR



# Spearhead Starcut 1210

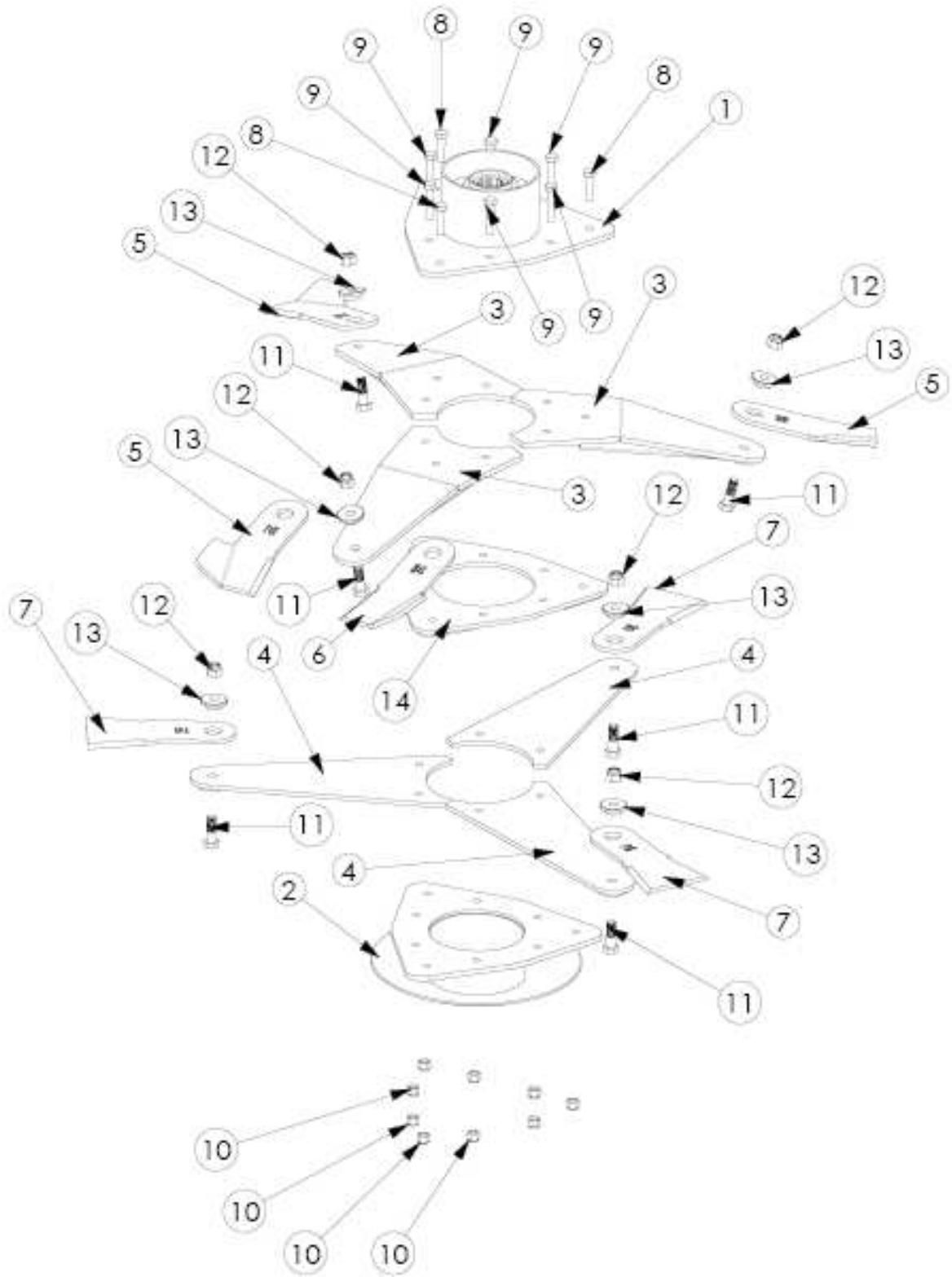
---

## STD BLADE CARRIER ASSEMBLY - CENTRE ROTOR

REF NO	PART NO.	QTY	DESCRIPTION
1	180988	1	UPPER - BLADER CARRIER
2	180765	1	LOWER - BLADE CARRIER
3	180035	3	BLADE HOLDER
4	180990	3	STARCUT BLADE HOLDER
5	7770759	3	RH BLADE
6	-	-	-
7	7770755	3	STARCUT BLADE
8	05.291.37	3	BOLT
9	2770633	6	BOLT
10	2770447	9	NUT
11	2770557	6	BOLT
12	2770409	6	NUT
13	7770757	6	BLADE BUSH
14	180034	1	SPACER

# Spearhead Starcut 1210

## STD BLADE CARRIER ASSEMBLY - INNER ROTOR



# Spearhead Starcut 1210

---

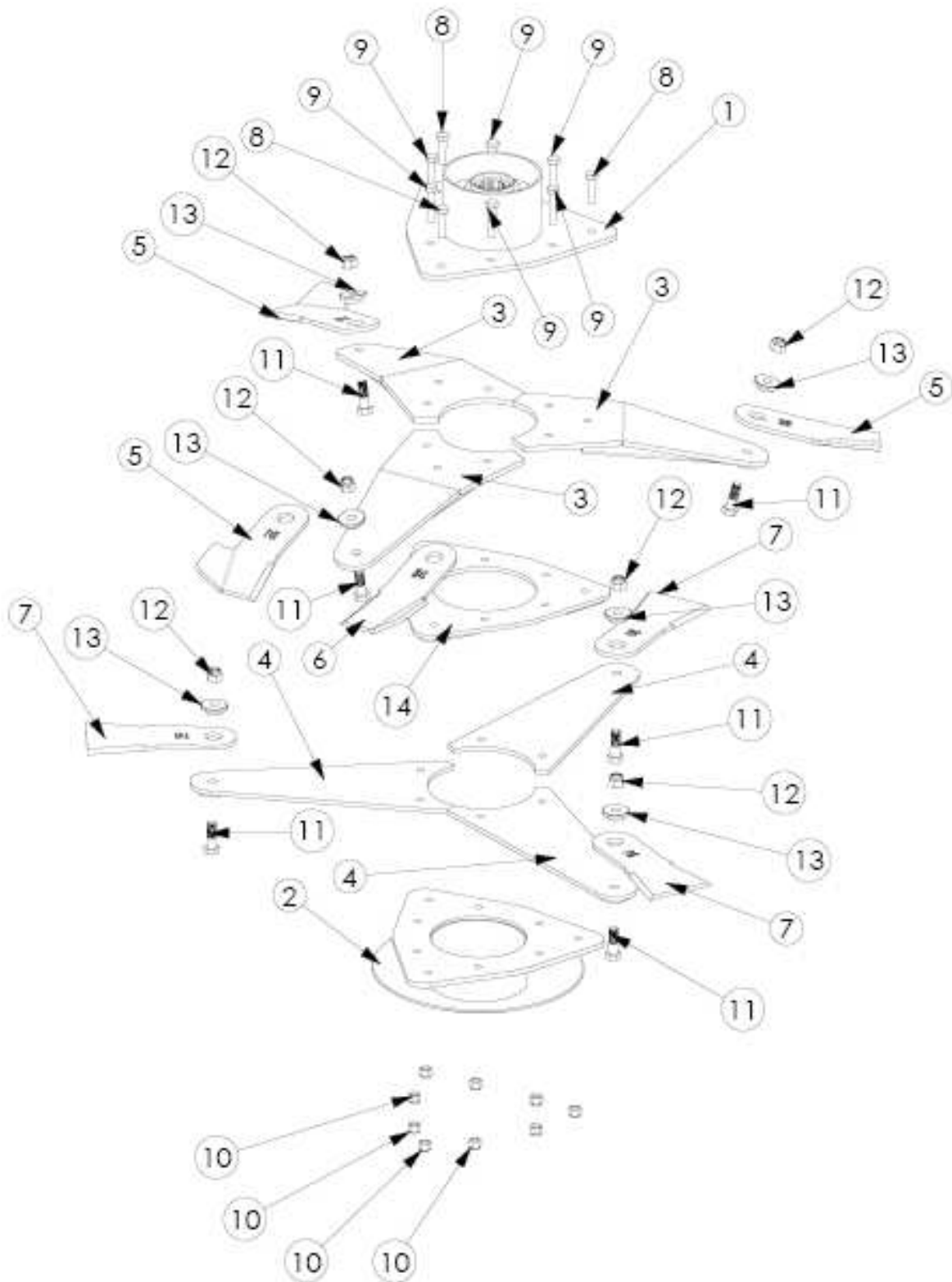
## STD BLADE CARRIER ASSEMBLY - INNER ROTOR

REF NO	PART NO.	QTY	DESCRIPTION
1	180994	2	UPPER - BLADER CARRIER
2	180765	2	LOWER - BLADE CARRIER
3	180036	6	BLADE HOLDER
4	180993	6	STARCUT BLADE HOLDER
5	7770759	3	RH BLADE
6	7770758	3	LH BLADE
7	7770755	6	STARCUT BLADE
8	05.291.37	6	BOLT
9	2770633	12	BOLT
10	2770447	18	NUT
11	2770557	12	BOLT
12	2770409	12	NUT
13	7770757	12	BLADE BUSH
14	180034	1	SPACER



# Spearhead Starcut 1210

## STD BLADE CARRIER ASSEMBLY - MIDDLE ROTOR



# Spearhead Starcut 1210

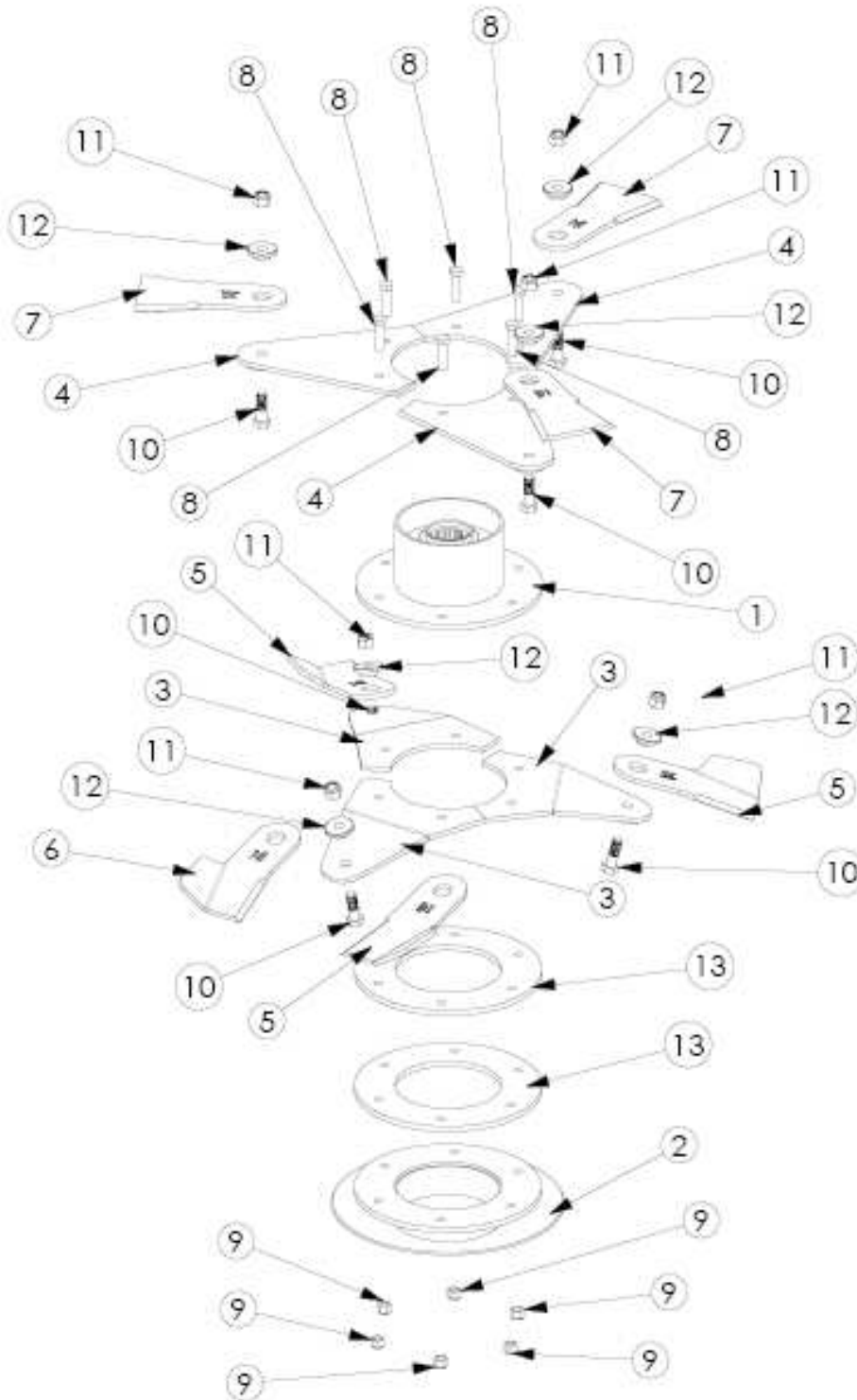
---

## STD BLADE CARRIER ASSEMBLY - MIDDLE ROTOR

REF NO	PART NO.	QTY	DESCRIPTION
1	180764	2	UPPER - BLADER CARRIER
2	180765	2	LOWER - BLADE CARRIER
3	180036	6	BLADE HOLDER
4	180993	6	STARCUT BLADE HOLDER
5	7770759	3	RH BLADE
6	7770758	3	LH BLADE
7	7770755	6	STARCUT BLADE
8	05.291.37	6	BOLT
9	2770633	12	BOLT
10	2770447	18	NUT
11	2770557	12	BOLT
12	2770409	12	NUT
13	7770757	12	BLADE BUSH
14	180034	1	SPACER

# Spearhead Starcut 1210

## STD BLADE CARRIER ASSEMBLY - OUTER ROTOR



# Spearhead Starcut 1210

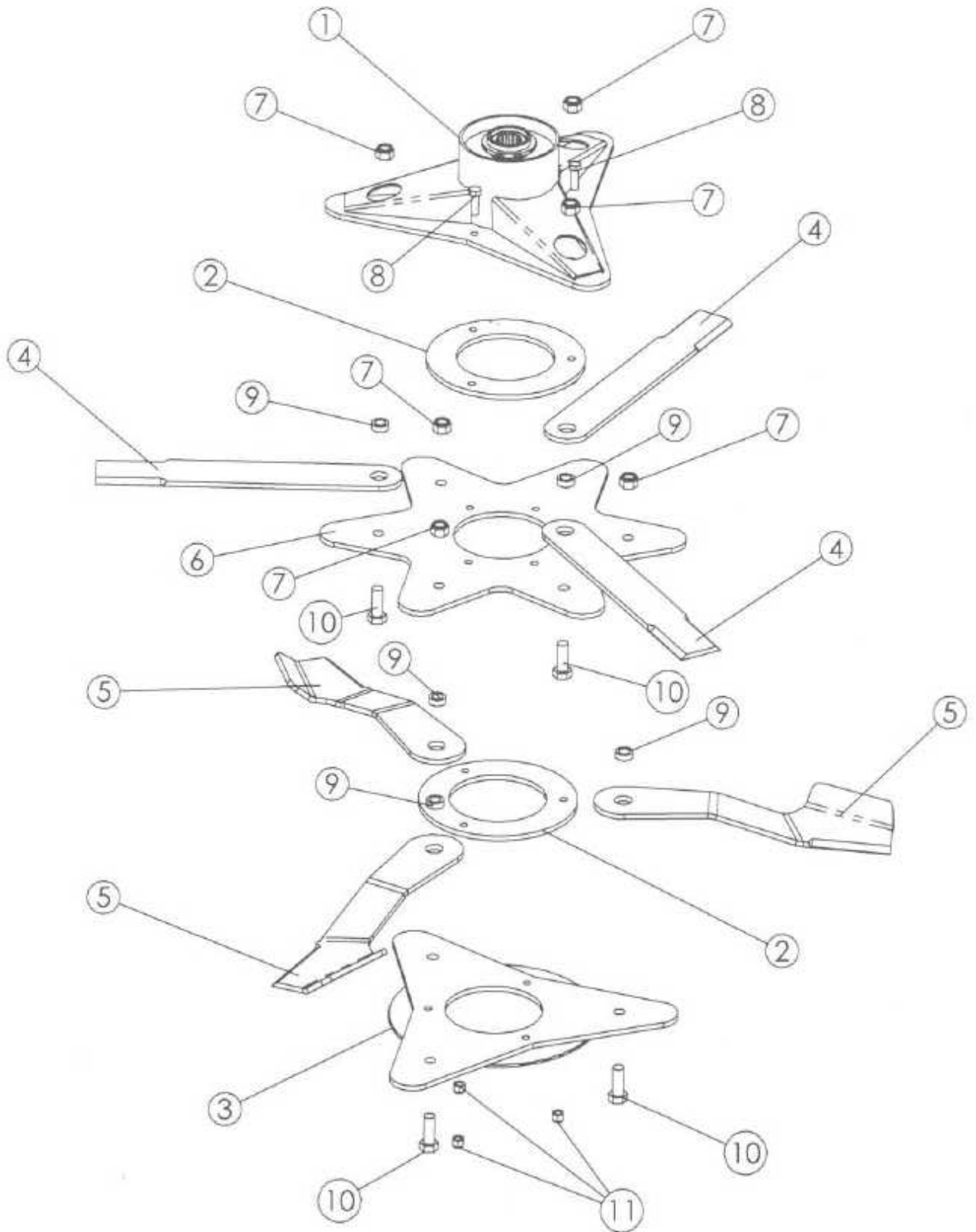
---

## STD BLADE CARRIER ASSEMBLY - OUTER ROTOR

REF NO	PART NO.	QTY	DESCRIPTION
1	180995	2	UPPER – BLADE CARRIER
2	180996	2	LOWER – BLADE CARRIER
3	180037	6	BLADE HOLDER
4	180998	6	STARCUT HOLDER
5	7770758	3	LH BLADE
6	7770759	3	RH BLADE
7	7770755	6	STARCUT BLADE
8	2770633	12	BOLT
9	2770447	12	NUT
10	2770557	12	BOLT
11	2770409	12	NUT
12	7770757	12	BLADE BUSH
13		2	SPACER

# Spearhead Starcut 1210

## HD BLADE CARRIER ASSEMBLY – CENTRE ROTOR



# Spearhead Starcut 1210

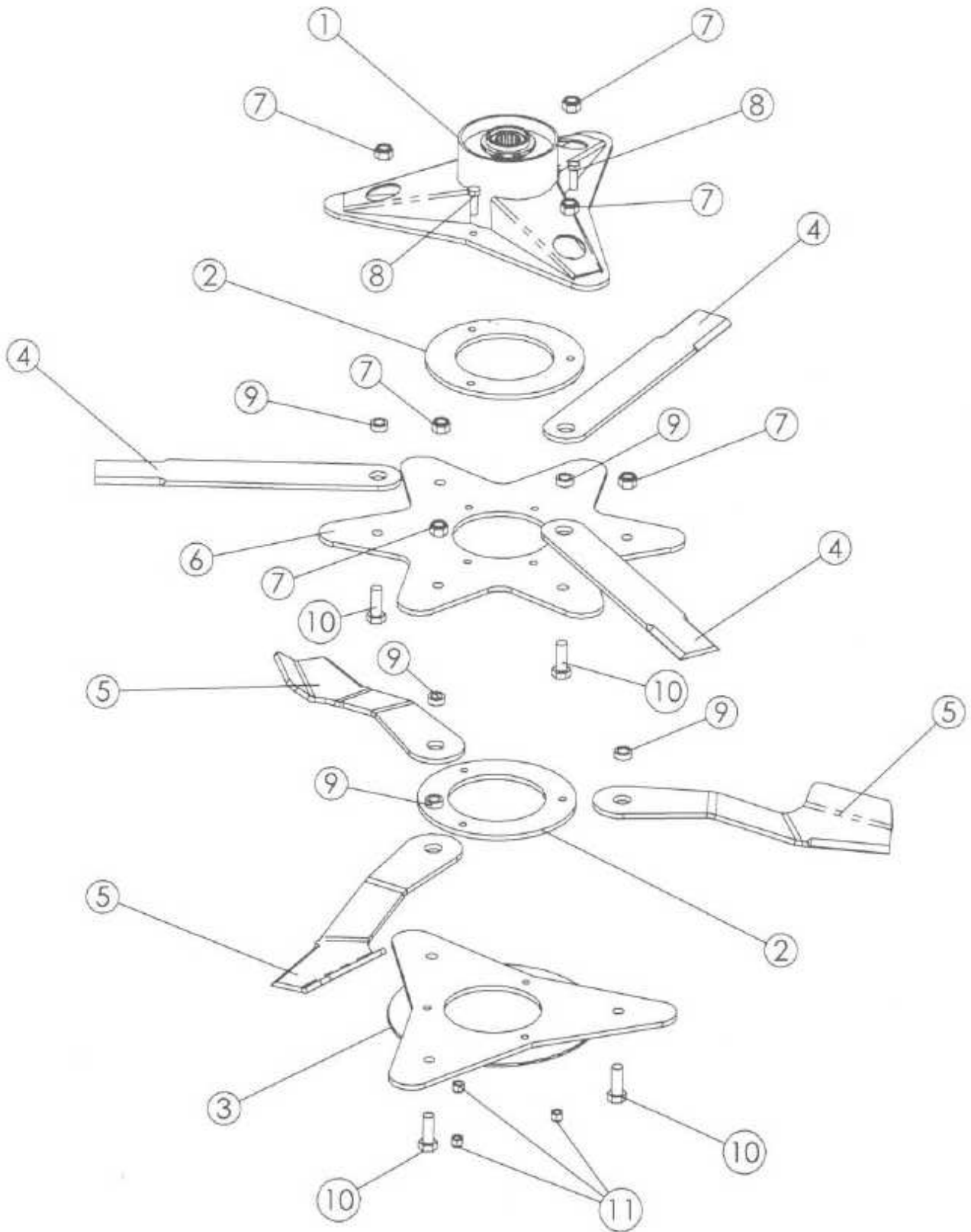
---

## HD BLADE CARRIER ASSEMBLY – CENTRE ROTOR

REF NO	PART NO.	QTY	DESCRIPTION
1	180023	1	UPPER – BLADE CARRIER
2	180773	2	SPACER PLATE
3	180024	1	LOWER - BLADE CARRIER
4	046001	3	STARCUT BLADE
5	7770700	3	RH HD BLADE
6	180031	1	STARCUT PLATE
7	2770414	3	NUT
8	2770423	3	BOLT
9	7770707	3	BLADE BUSH
10	2770339	3	BOLT
11	2770447	3	NUT

# Spearhead Starcut 1210

## HD BLADE CARRIER ASSEMBLY - INNER ROTOR



# Spearhead Starcut 1210

---

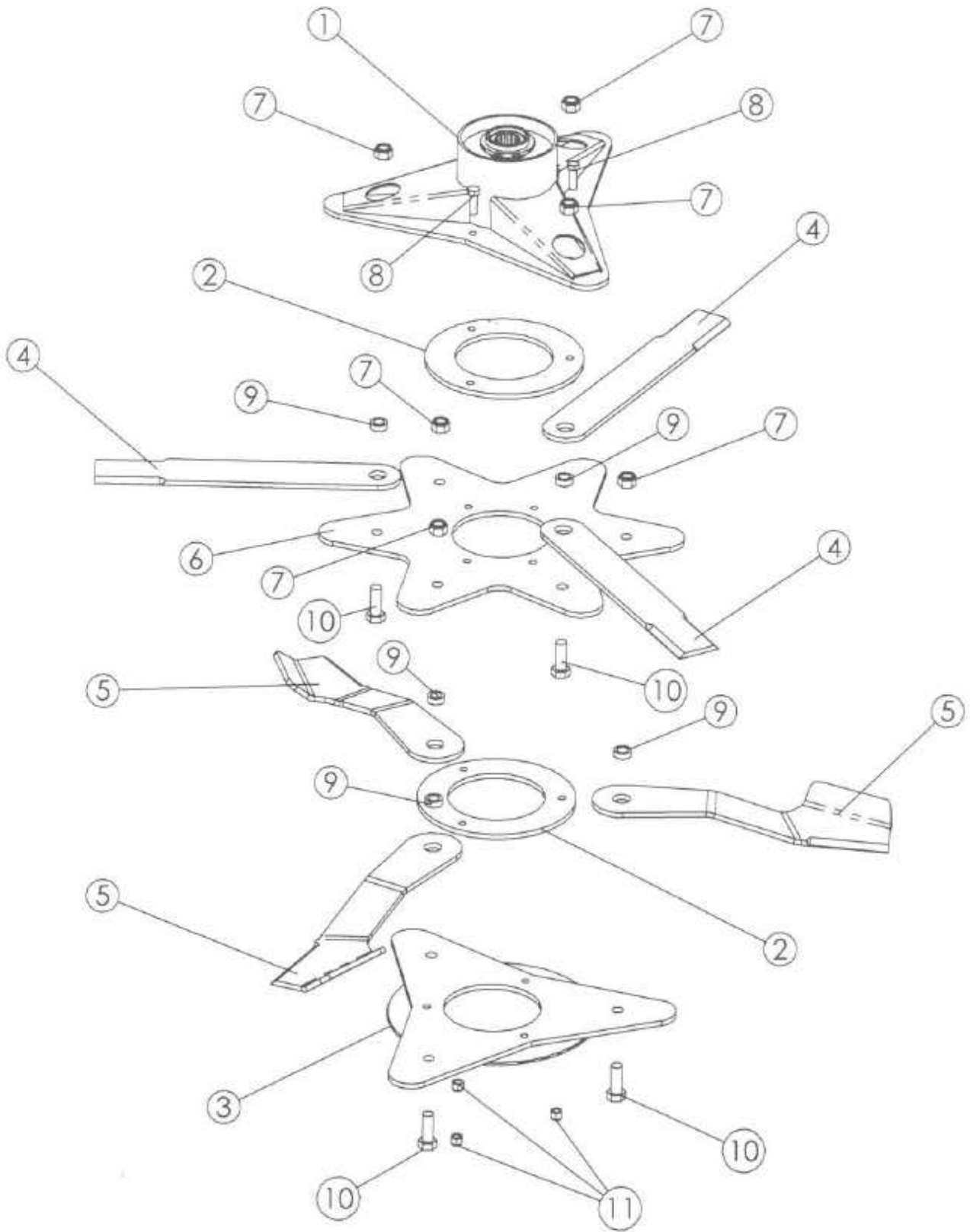
## HD BLADE CARRIER ASSEMBLY – INNER ROTOR

REF NO	PART NO.	QTY	DESCRIPTION
1	180025	2	UPPER – BLADE CARRIER
2	180773	2	SPACER PLATE
3	180026	2	LOWER - BLADE CARRIER
4	046001	3	STARCUT BLADE (NS)
5	7770701	3	LH HD BLADE
	7770700	3	RH HD BLADE (NS)
6	180032	2	STARCUT PLATE (NS)
7	2770414	6	NUT
8	2770423	3	BOLT
9	7770707	6	BLADE BUSH
10	2770339	6	BOLT
11	2770447	3	NUT



# Spearhead Starcut 1210

## HD BLADE CARRIER ASSEMBLY – MIDDLE ROTOR



# Spearhead Starcut 1210

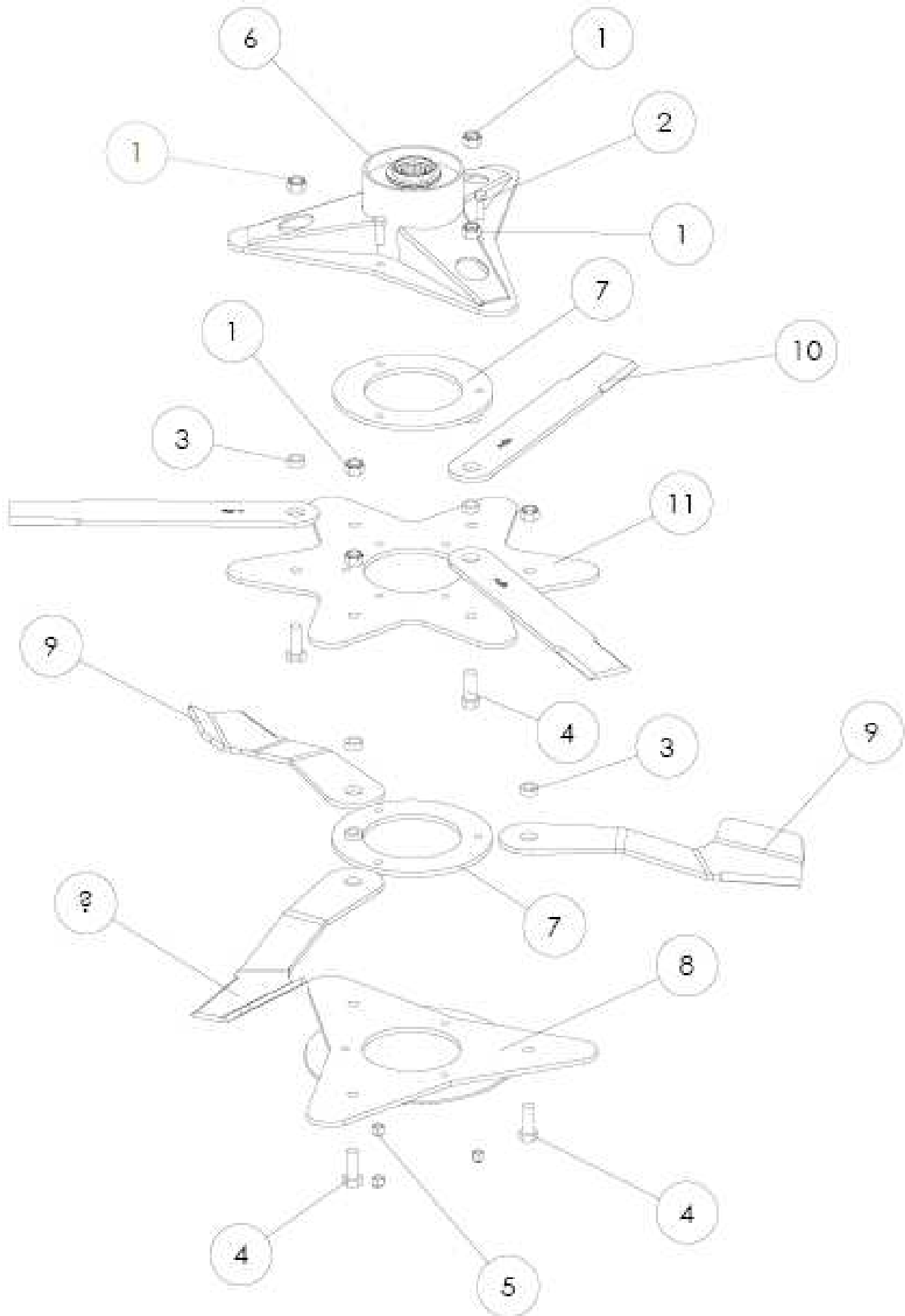
---

## HD BLADE CARRIER ASSEMBLY – MIDDLE ROTOR

REF NO	PART NO.	QTY	DESCRIPTION
1	180027	1	UPPER – BLADE CARRIER
2	180773	2	SPACER PLATE
3	180026	1	LOWER - BLADE CARRIER
4	046001	6	STARCUT BLADE
5	7770701	3	LH HD BLADE
	7770700	3	RH HD BLADE
6	180032	2	STARCUT PLATE
7	2770414	6	NUT
8	2770423	3	BOLT
9	7770707	6	BLADE BUSH
10	2770339	6	BOLT
11	2770447	3	NUT

# Spearhead Starcut 1210

## HD BLADE CARRIER ASSEMBLY – OUTER ROTOR

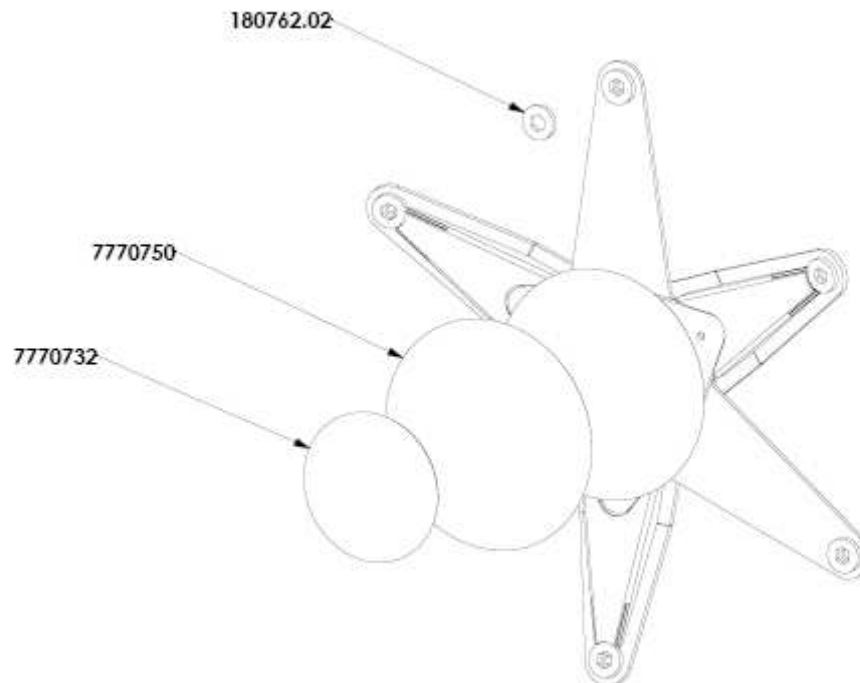


# Spearhead Starcut 1210

## HD BLADE CARRIER ASSEMBLY – OUTER ROTOR

REF NO	PART NO.	QTY	DESCRIPTION
1	2770414	6	NUT
2	2770423	3	BOLT
3	7770707	6	BLADE BUSH
4	2770339	6	BOLT
5	2770447	3	NUT
6	180029	2	UPPER – BLADE CARRIER
7	180777	2	SPACER
8	180030	2	LOWER- BLADE CARRIER
9	7770731	3	LH BLADE
	7770730	3	RH BLADE
10	062001	3	STARCUT BLADE
11	180033	1	STARCUT PLATE

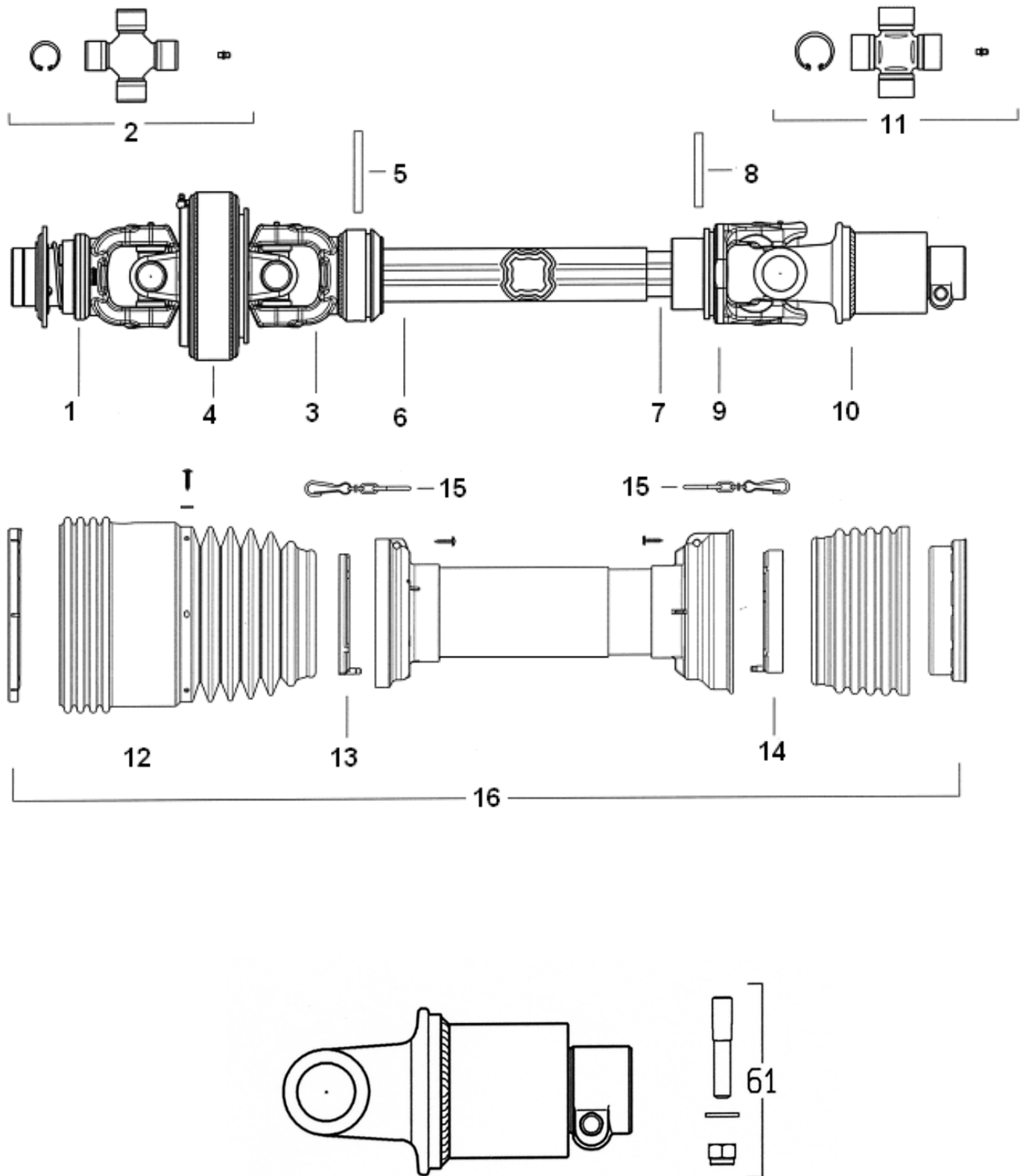
### Replaceable Blade Carrier Parts



Part No.	Quantity
180762.02	6
7770750	1
7770732	1

# Spearhead Starcut 1210

## INPUT SHAFT - (BONDIOLI)



# Spearhead Starcut 1210

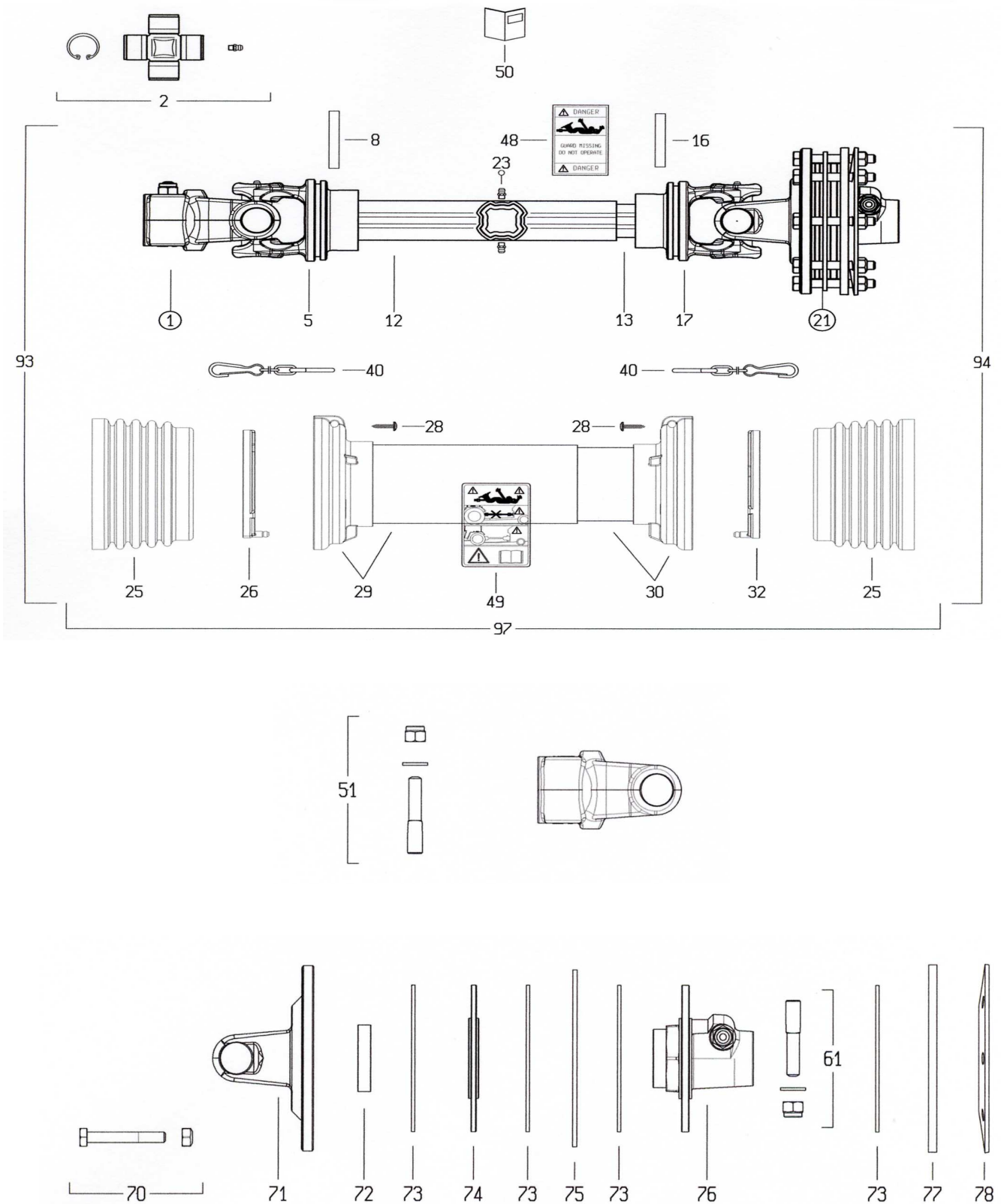
---

## INPUT SHAFT - (BONDIOLI)

REF. NO	PART NO.	DESCRIPTION
	5770211	ASSEMBLY
1	5770211.01	YOKE 1 3/8 X 21 SPLINE
1	5770211.02	YOKE 1 3/4 X 20 SPLINE
2	5770211.03	UJ
3	5770211.04	YOKE
4	5770211.05	CENTRE BODY
5	5770211.06	ROLL PIN
6	5770211.07	OUTER TUBE
7	5770211.08	INNER TUBE
8	5770211.09	ROLL PIN
9	5770211.10	YOKE
10	5770211.11	OVERRUN CLUTCH
11	5770211.12	UJ
12	5770211.18	GUARD
13	5770211.13	OUTER BEARING RING
14	5770211.14	INNER BEARING RING
15	5770211.15	CHAIN
16	5770211.17	GUARD
17	5770211.16	TAPER PIN

# Spearhead Starcut 1210

## CENTRE SHAFT - (BONDIOLI)



# Spearhead Starcut 1210

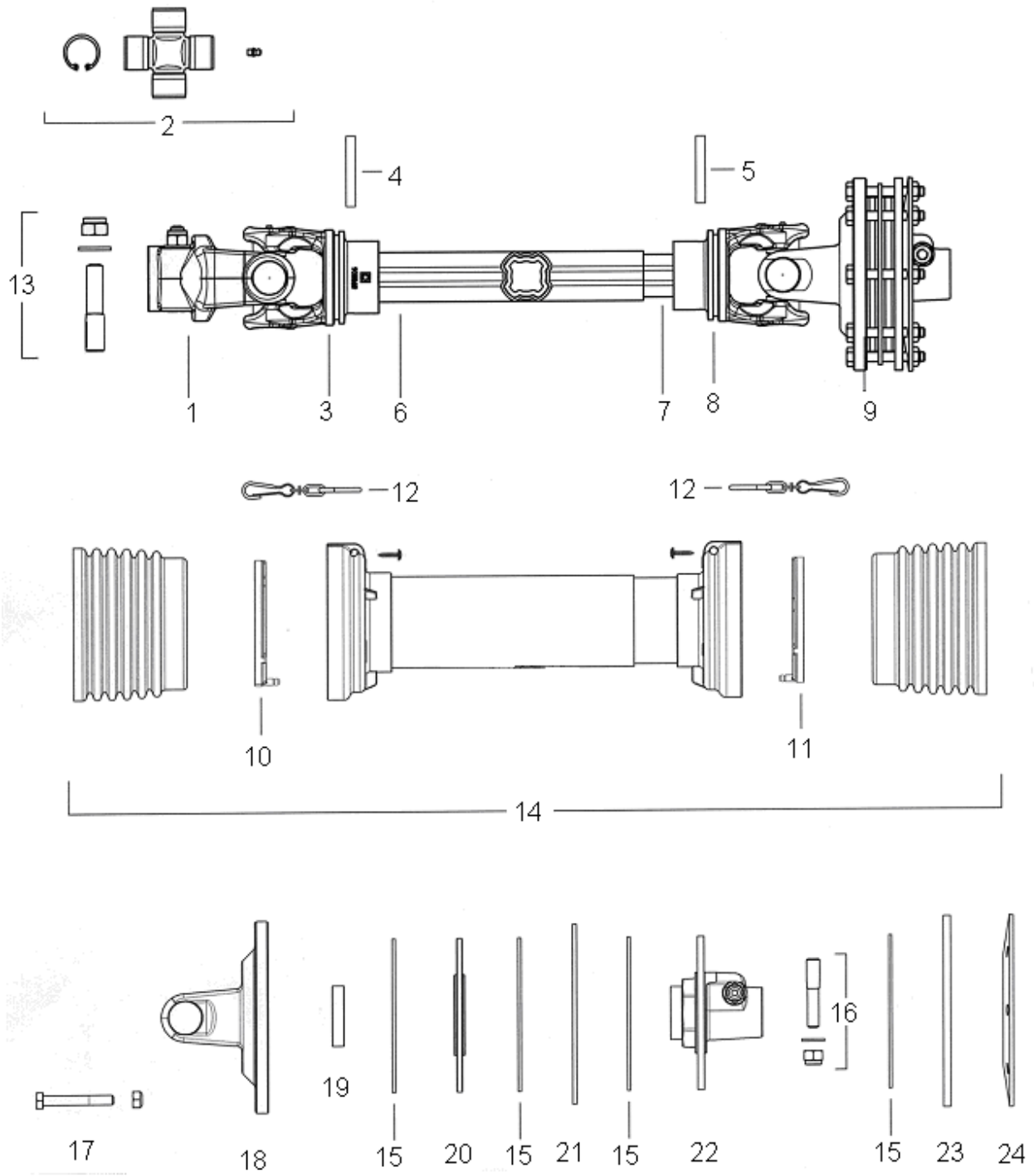
## CENTRE SHAFT - (BONDIOLI)

Ref. No	Part No.	Description
	5770215	P.T.O ASSEMBLY
1	5770215/1	YOKE 20 SPLINE
2	5770140	CROSS JOURNAL
5	5770146	OUTER YOKE
8	5770144	PIN
16	5770144	PIN
17	5770145	INNER YOKE
26	5792146/11	OUTER BEARING
32	5792146/12	INNER BEARING
40	5771020	CHAIN
51	5771322	TAPER PIN
61	5771322A	TAPER PIN
70	5772329B	BOLT AND NUT
71	5771035	FLANGE YOKE
72	5771319	BUSH
73	5772317	FRICITION DISC
74	5771039	DRIVE PLATE
75	5771040	INNER PLATE
76	5771043	HUB WITH TAPER PIN
77	5770135A	INNER PLATE
78	5770136A	BELLEVILLE SPRING
97	5771333	GUARD ASSEMBLY



# Spearhead Starcut 1210

## INNER WING SHAFT - (BONDIOLI)



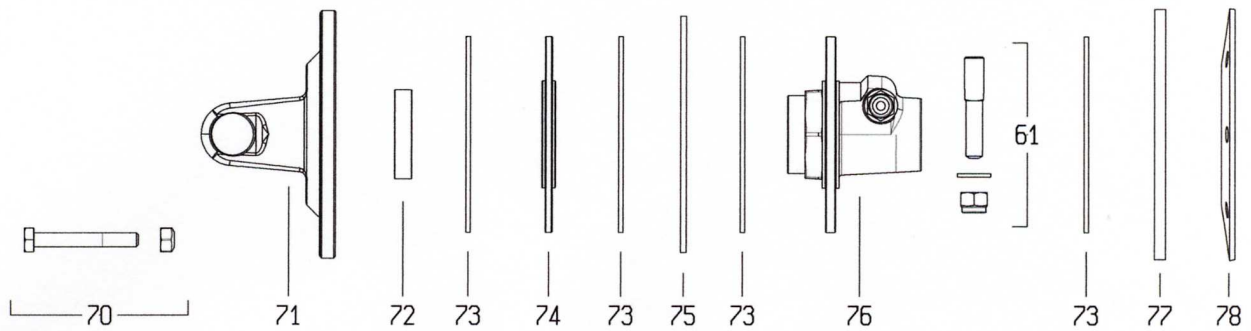
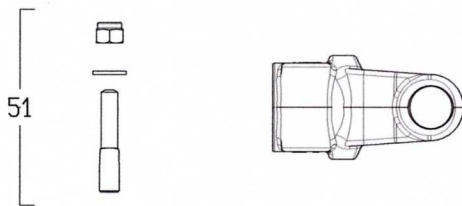
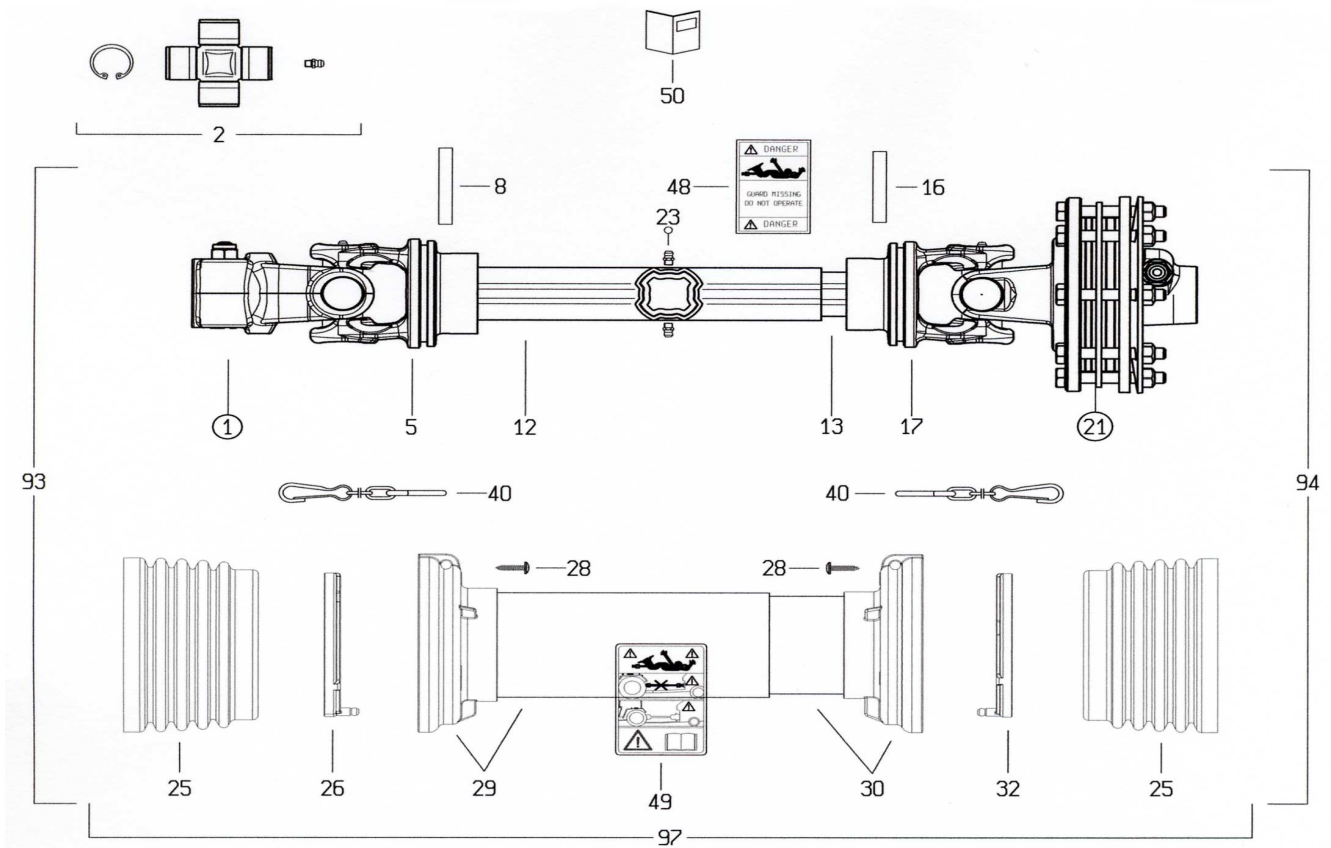
# Spearhead Starcut 1210

## INNER WING SHAFT - (BONDIOLI)

REF. NO	PART NO.	DESCRIPTION
	5770229	ASSEMBLY
1	5770229.01	YOKE
2	5770213/2	UJ
3	5770213/3	YOKE
4	N/A	ROLL PIN
5	N/A	ROLL PIN
6	5770213/4	OUTER TUBE
7	5770213/5	INNER TUBE
8	5792162/7	YOKE
9	5770213/6	CLUTCH
10	5792162/11	OUTER BEARING RING
11	5792162/13	INNER BEARING RING
12	5792162/14	CHAIN
13	5770213/11	TAPER PIN
14	5770213/10	GUARD
15	5771328	FRICTION LINING
16	5771322A	TAPER PIN
17	5772629B	BOLT
18	5770043/4	FLANGE
19	5771319	BUSH
20	5770213/7	PLATE
21	5770213/8	PLATE
22	5770229.02	HUB
23	5770135	PLATE
24	5770136	SPRING

# Spearhead Starcut 1210

## MIDDLE WING SHAFT - (BONDIOLI)



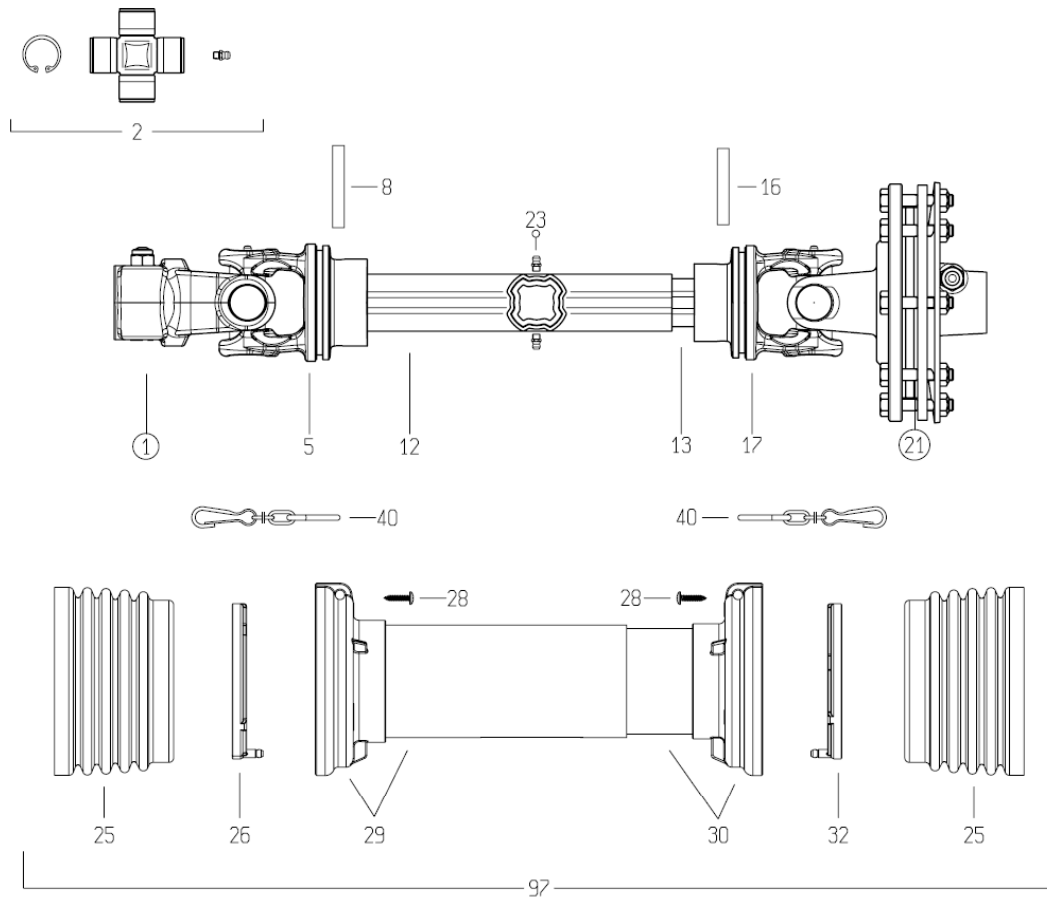
# Spearhead Starcut 1210

MIDDLE WING SHAFT - (BONDIC

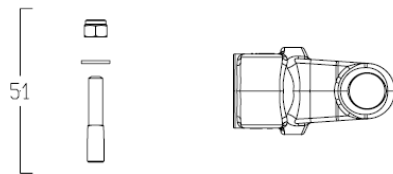
Ref. No	Part No.	Description
	5770206	P.T.O ASSEMBLY
1		YOKE 6 SPLINE
2	5770140	CROSS JOURNAL
5	5770146	OUTER YOKE
8	5770144	PIN
16	5770144	PIN
17	5770145	INNER YOKE
26	5792146/11	OUTER BEARING
32	5792146/12	INNER BEARING
40	5771020	CHAIN
51	5771322	TAPER PIN
61	5771322A	TAPER PIN
70	5772329B	BOLT AND NUT
71	5771035	FLANGE YOKE
72	5771319	BUSH
73	5772317	FRICTION DISC
74	5771039	DRIVE PLATE
75	5771040	INNER PLATE
76	5771043	HUB WITH TAPER PIN
77	5770135A	INNER PLATE

# Spearhead Starcut 1210

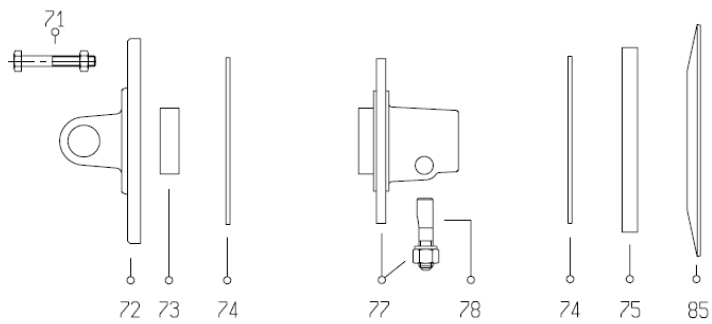
## OUTER WING SHAFT - (BONDIOLI)



①



②①



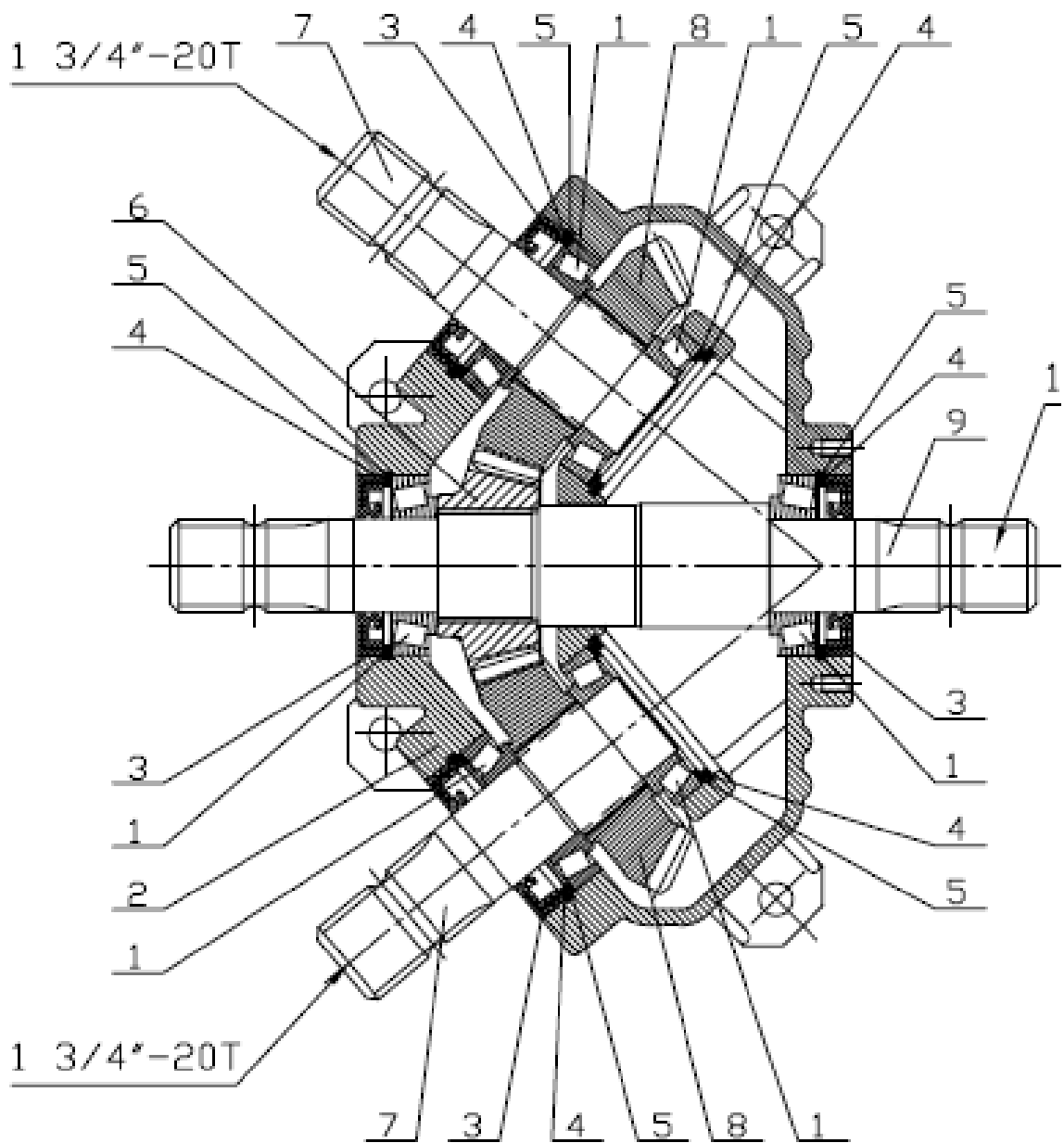
# Spearhead Starcut 1210

## OUTER WING SHAFT - (BONDIOLI)

Ref. No	Part No.	Description
	5770039A	WING SHAFT
1	5771310	YOKE 1 3/8"X 6 SPL
2	5770140	CROSS JOURNAL
5	5770146	OUTER YOKE
8	5770144	TENSION PIN
12	5770142	OUTER TUBE
13	5770141	INNER TUBE
16	5770143	TENSION PIN
17	5770145	INNER YOKE
21	5781111	CLUTCH ASSEMBLY (6 SPL)
25	N/A	CONE
26	5792146/11	BEARING - OUTER
28	N/A	SCREW
29	N/A	½ GUARD
30	N/A	½ GUARD
32	5792146/12	BEARING - INNER
40	5771020	CHAIN
51	5771322	TAPER PIN
71	5770138A	CLUTCH BOLT
72	5770131	FLANGED YOKE
73	5771319	BUSH
74	5771328	FRICTION DISC
75	5770135	PRESSURE PLATE
77	5770158	HUB 6 SPLINE
78	5771322A	TAPER PIN
85	5770136	SPRING
97	5771333	GUARD ASSEMBLY

# Spearhead Starcut 1210

## SPLITTER GEARBOX - (WALTERSCHEID)



# Spearhead Starcut 1210

---

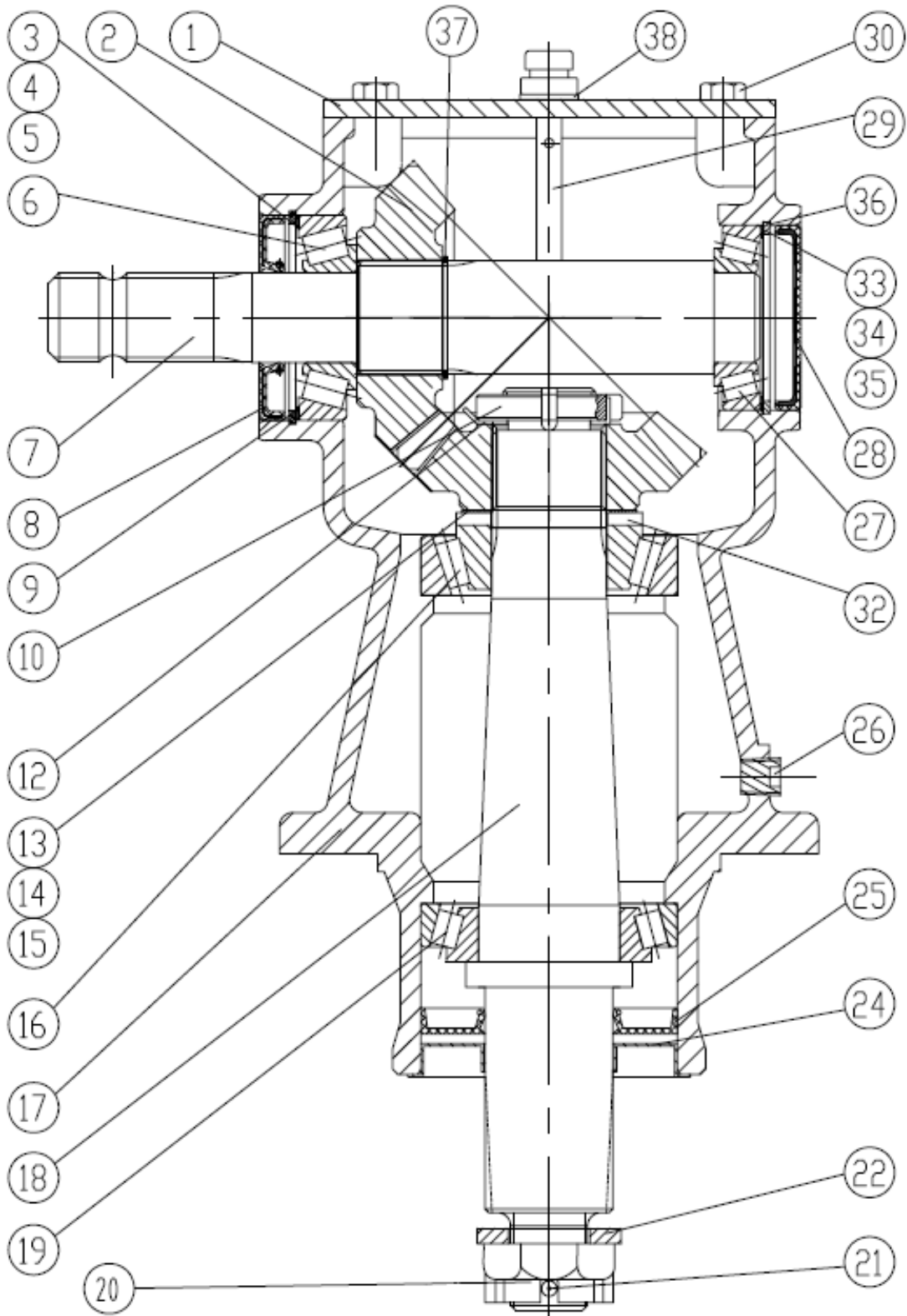
## SPLITTER GEARBOX - (WALTERSCHEID)

REF. NO	PART NO.	DESCRIPTION
	5770432	SPLITTER GEARBOX
1	4770660	BEARING
2	N/A	HOUSING
3	5770432.05	SEAL
4	2777517	CIRCLIP
5	N/A	SHIM
6	5770432.01	GEAR
7	5770432.02	OUTPUT SHAFT
8	5770432.03	GEAR
9	5770432.04	INPUT SHAFT



# Spearhead Starcut 1210

## CENTRE GEARBOX - (WALTERSCHEID)



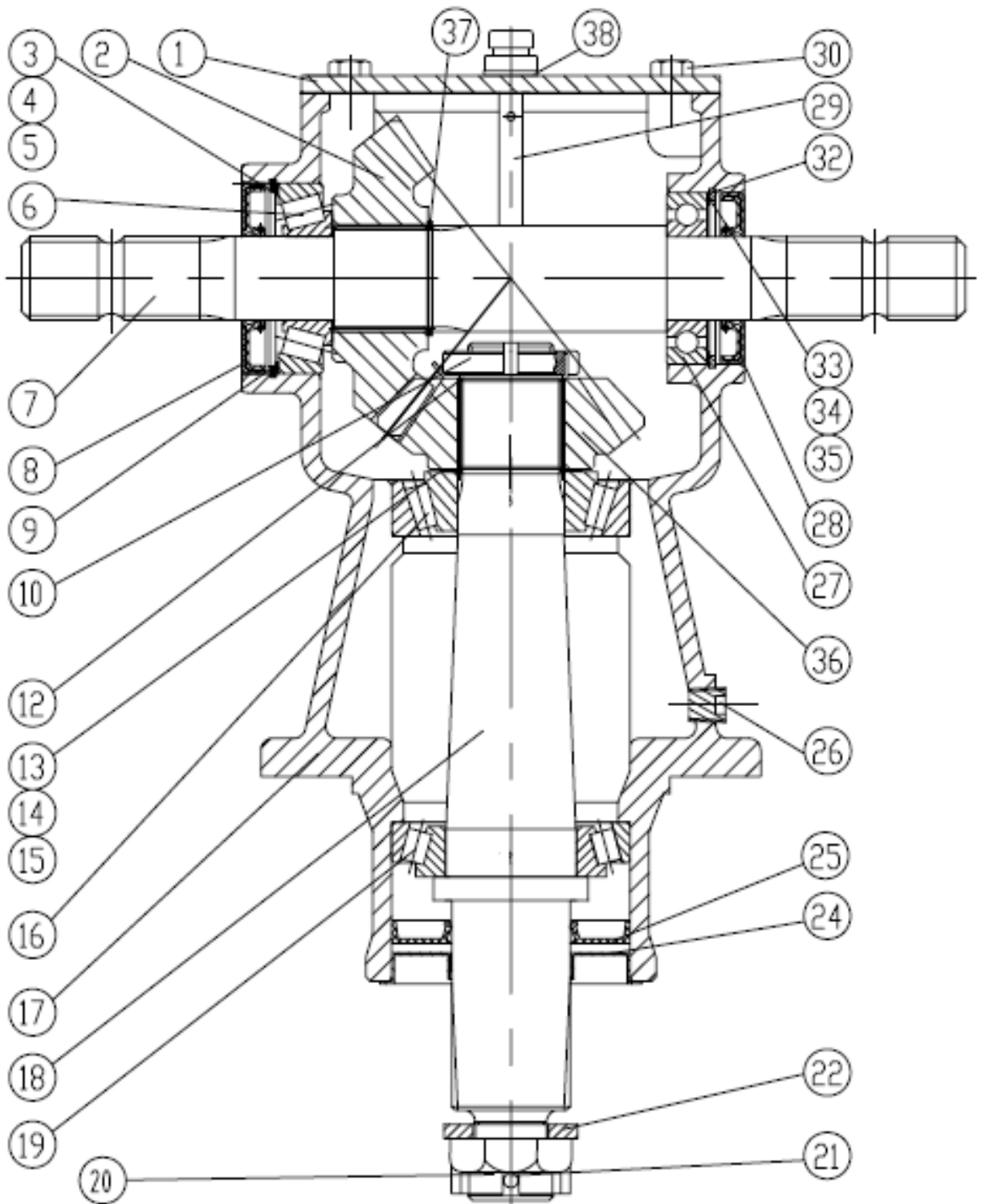
# Spearhead Starcut 1210

## CENTRE GEARBOX - (WALTERSCHEID)

REF. NO	PART NO.	DESCRIPTION
	5770480	CENTRE GEARBOX ASSEMBLY
1	N/A	COVER
2	N/A	GEAR
3	N/A	SHIM
4	N/A	SHIM
5	N/A	SHIM
6	4771601	BEARING
7	5770412.03	SHAFT
8	4771124	SEAL
9	N/A	CIRCLIP
10	N/A	NUT
12	N/A	WASHER
13	N/A	SHIM
14	N/A	SHIM
15	N/A	SHIM
16	4771603	BEARING
17	N/A	HOUSING
18	5770420.05	SHAFT
19	4771602	BEARING
20	N/A	NUT
21	N/A	PIN
22	30.214.47	BELLEVILLE WASHER
24	5770420.01	SHEILD
25	5770420.02	SEAL
26	N/A	PLUG
27	4770658	BEARING
28	4771503	CAP
29	5770420.06	DIPSTICK
30	N/A	BOLT
31	N/A	IDENTIFICATION
32	N/A	SHIM
33	N/A	SHIM
34	N/A	SHIM
35	N/A	SHIM
36	N/A	CIRCLIP
37	N/A	CIRCLIP
38	N/A	WASHER

# Spearhead Starcut 1210

## INNER WING GEARBOX - (WALTERSCHEID)



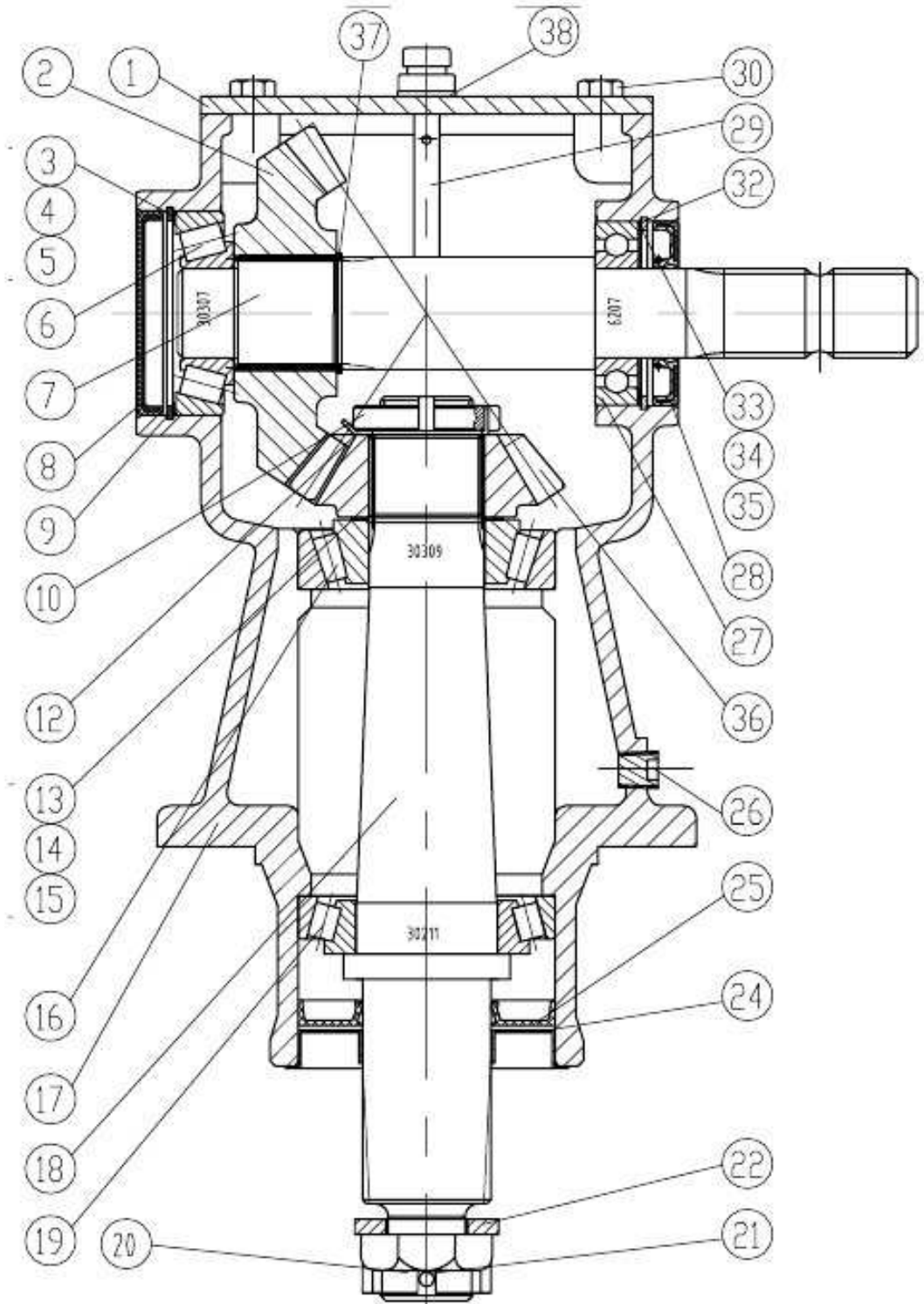
# Spearhead Starcut 1210

## INNER WING GEARBOX - (WALTERSCHEID)

REF. NO	PART NO.	DESCRIPTION
	5770420	ASSEMBLY
1	N/A	COVER
2	5770420.03	GEAR SET
3	N/A	SHIM
4	N/A	SHIM
5	N/A	SHIM
6	4771601	BEARING
7	5770420.04	INPUT SHAFT
8	4771124	SEAL
9	N/A	CIRCLIP
10	N/A	NUT
12	N/A	WASHER
13	N/A	SHIM
14	N/A	SHIM
15	N/A	SHIM
16	4771603	BEARING
17	N/A	HOUSING
18	5770420.05	OUTPUT SHAFT
19	4771602	BEARING
20	N/A	NUT
21	N/A	PIN
22	30.214.47	BELLEVILLE WASHER
24	5770420.01	SHIELD
25	5770420.02	SEAL
26	N/A	PLUG
27	4771600	BEARING
28	4771501	SEAL
29	5770420.06	DIPSTICK
30	N/A	BOLT
32	N/A	CIRCLIP
33	N/A	SHIM
34	N/A	SHIM
35	N/A	SHIM
36	5770420.07	GEAR SET
37	N/A	CIRCLIP
38	N/A	WASHER

# Spearhead Starcut 1210

## RH OUTER WING GEARBOX - (WALTERSCHEID)



# Spearhead Starcut 1210

## RH OUTER WING GEARBOX - (WALTERSCHEID)

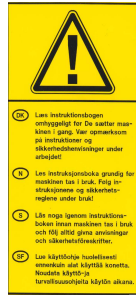
REF. NO	PART NO.RHW	PART NO.LHW	DESCRIPTION
	5770431	5770430	ASSEMBLY
1	N/A		COVER
2	5770430.01		GEAR SET
3	N/A		SHIM
4	N/A		SHIM
5	N/A		SHIM
6	4771601		BEARING
7	5770431.02	5770413.01	INPUT SHAFT
8	4771502		SEAL
9	N/A		CIRCLIP
10	N/A		NUT
12	N/A		WASHER
13	N/A		SHIM
14	N/A		SHIM
15	N/A		SHIM
16	4771603		BEARING
17	N/A		HOUSING
18	5770430.02		OUTPUT SHAFT
19	4771602		BEARING
20	N/A		NUT
21	N/A		PIN
22	30.214.47	30.214.47	BELLEVILLE WASHER
24	5770420.01		SHIELD
25	5770420.02		SEAL
26	N/A		PLUG
27	4771600		BEARING
28	4771501		SEAL
29	5770420.06		DIPSTICK
30	N/A		BOLT
32	N/A		CIRCLIP
33	N/A		SHIM
34	N/A		SHIM
35	N/A		SHIM
36	5770430.03		GEAR SET
37	N/A		CIRCLIP
38	N/A		WASHER

# Spearhead Starcut 1210

## DECALS



1



2



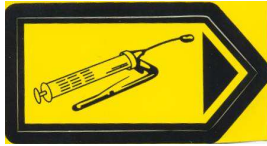
3



4



5



6



7



8



9



10



11



12



13



14



15

# Spearhead Starcut 1210

---

## DECALS

REF. NO	PART NO.	DESCRIPTION
1	8770363	READ MANUAL
2	8770367	READ MANUAL
3	8770342	LIFT POINT
4	8770307	GB STICKER
5	8770381	HEIGHT GAUGE
6	8770322	GREASE POINT
7	8770340	READ MANUAL
8	8770361	MOVING BLADES
9	8770306	KEEP BOLTS TIGHT
10	8770355	RAM STOP
11	8770362	ESCAPING FLUID
12	8770357	KEEP YOUR DISTANCE
13	8770368	DANGER UN-PROPED
14	8770358	REMOVE KEY
15	8770323	1000 PTO
16	8770351	CROP HEIGHT
17	8770430	SLIP CLUTCH
18	8770670	STARCUT 1210
19	8770371	SPEARHEAD