

Spearhead

TWIGA PRO Reach Mower 560/650T/700T/800T 600VFR/650VFR



Edition 3.5 – April 2015
Part No. 8999050

PARTS MANUAL

Spearhead TWIGA PRO

Contents

Ordering Your Parts.....	3
Main Frame.....	4
Slew Post.....	6
Lift Frame.....	8
Tank Lid.....	9
Rear Panel.....	10
Stabiliser Brackets.....	11
Oil Cooler.....	12
Main Arm.....	14
Dipper Arm - 560.....	15
Telescopic Outer Dipper Arm - 650T / 700T / 800T.....	16
Telescopic Inner Dipper Arm - 650T / 700T / 800T.....	18
VFR Dipper Arm - 600VFR / 650VFR.....	20
Tie Bar.....	22
LH Head Crowd Bracket.....	23
RH Head Crowd Bracket.....	24
Head Mount Bracket.....	25
Main Pivot Pin.....	26
Arm Bump Stop Bracket.....	27
LP Hydraulic Drive.....	28
HP Hydraulic Drive.....	29
2SV Hydraulic Control Valve Assembly.....	30
3 Stage Auto Reset.....	33
Slew Ram.....	34
Lift Ram.....	35
Dipper Ram.....	36
Head Ram.....	37
Tele Ram.....	38
VFR Ram.....	39
Auto Reset Valve Assembly.....	40
Head Float Assembly.....	41
LP / HP Rotor Valve Assembly.....	42
LP Rotor Reverse Valve Assembly.....	44
HP Rotor Reverse Valve Assembly.....	45
Single Bottle Arm Float.....	46
Twin Bottle Arm Float.....	47
Autopilot.....	48
Lift Ram Shut Off Valve.....	50
Cab Guard.....	51
Decals.....	52
Safety Decals.....	54
Axle Mount Sub Frame.....	56

Spearhead TWIGA PRO

Contents Cont.

Light Circuit.....	57
Gearbox.....	58
PTO.....	59
Debris Blower.....	60
Hose Blanking Caps.....	61
Quick release Couplings.....	61
2SV Hydraulic Proportional Controls.....	62
Electronic Proportional Pro Pilot Controls.....	64
Hydraulic Proportional Pro Pilot Controls.....	66
STD Bracket Mounting Arms.....	68
Floating Bracket Mounting Arms.....	69
Narrow Lane Bracket.....	70
Narrow Lane Bracket Hoses.....	72
Narrow Lane Bracket Ram.....	73
3SV Hydraulic Control Valve.....	74
3SV Electric Control Valve.....	77
Control Valve.....	80
Auto Reset Valve.....	82
2SV Joystick.....	83
Head Float Valve.....	84
Arm Float Valve.....	85
Rotor Valve.....	86
Shock Absorber.....	87
LP Rotor Reverse Valve.....	88
HP Rotor Reverse Valve.....	89
LP / HP Base Hose Kits.....	90
LP / HP Rotor Reverse Base Hose Kits.....	92
560 Arm Hose Kits.....	94
650T Arm Hose Kits.....	96
700T Arm Hose Kits.....	98
800T Arm Hose Kits.....	100
600VFR Arm Hose Kits.....	102
650VFR Arm Hose Kits.....	104

Spearhead TWIGA PRO

Ordering Your Part's

When ordering parts please refer to your parts list to help your dealer with your order.

Part number and quantity

Description

Machine model number

Serial number of the machine

Delivery instructions (e.g. next day).

Delivery is normally via carrier direct to your dealer. Please check with your dealer for stock availability and arrangement of dispatch. Ensure you or your dealer has sufficient cover for parts requirement outside factory hours.

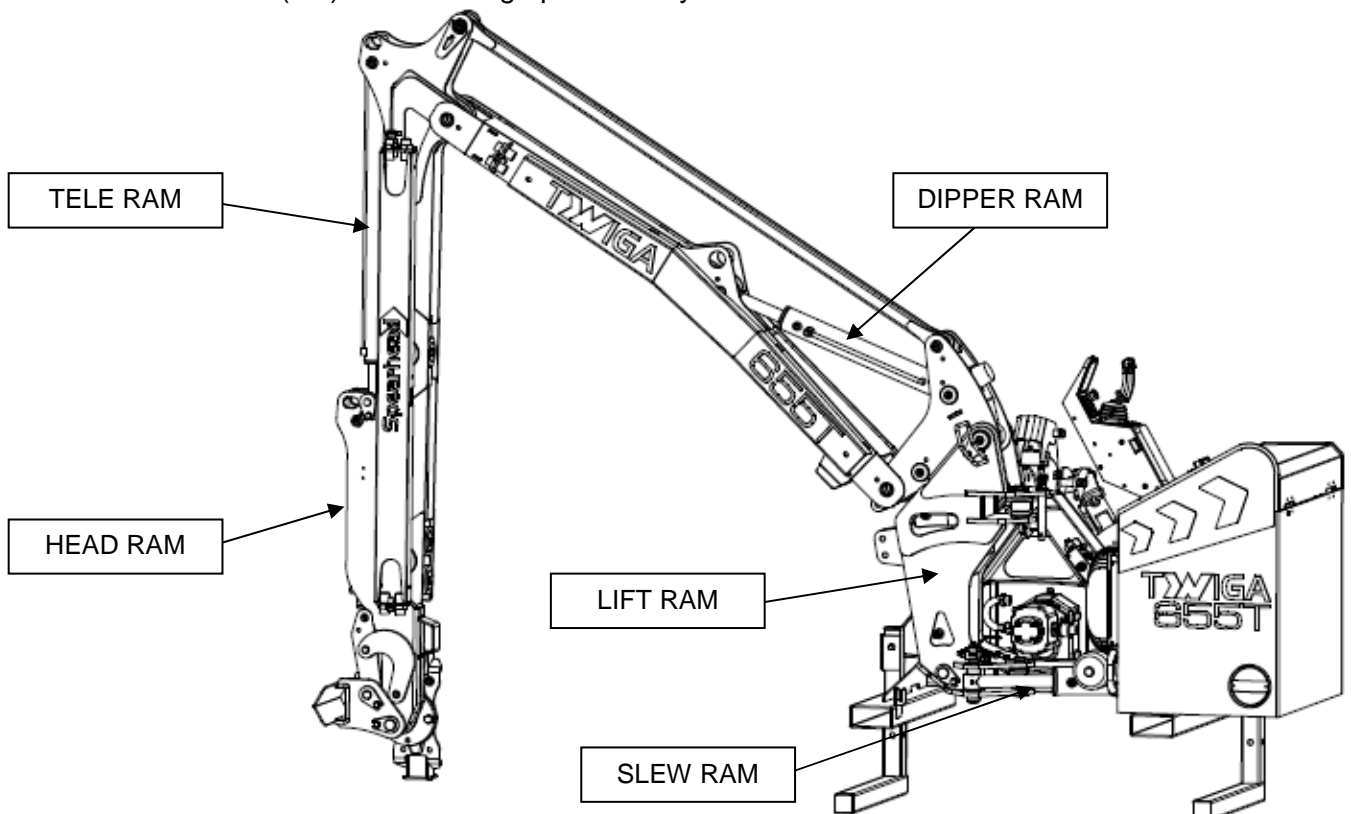
When ordering your seal kits please quote both codes stamped on the base of the cylinder.

Important Note

The information contained in this manual is correct at the time of publication. However, in the course of constant development, changes in specification are inevitable. Should you find the information given in this book different to the machine it relates to, please contact the "After Sales Department" for advice.

Key:

- (LH) = Left hand
- (RH) = Right hand
- (LP) = Low pressure hydraulics
- (HP) = High pressure hydraulics



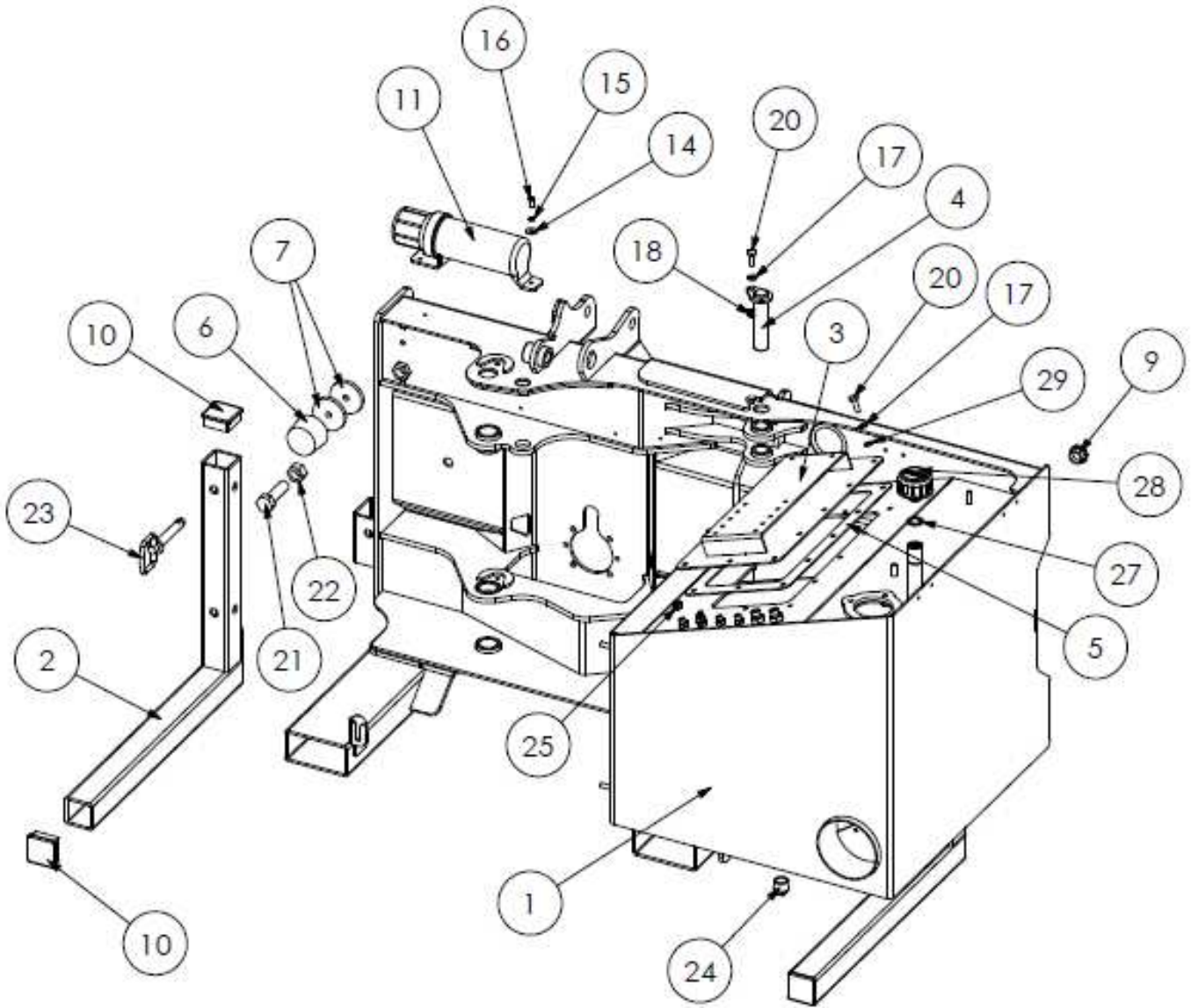
Spearhead TWIGA PRO

LH MAIN FRAME - S180028.00

RH MAIN FRAME - S180028.68

LH BRACKET MOUNTED MAIN FRAME - S180028.21

RH BRACKET MOUNTED MAIN FRAME - S180028.III



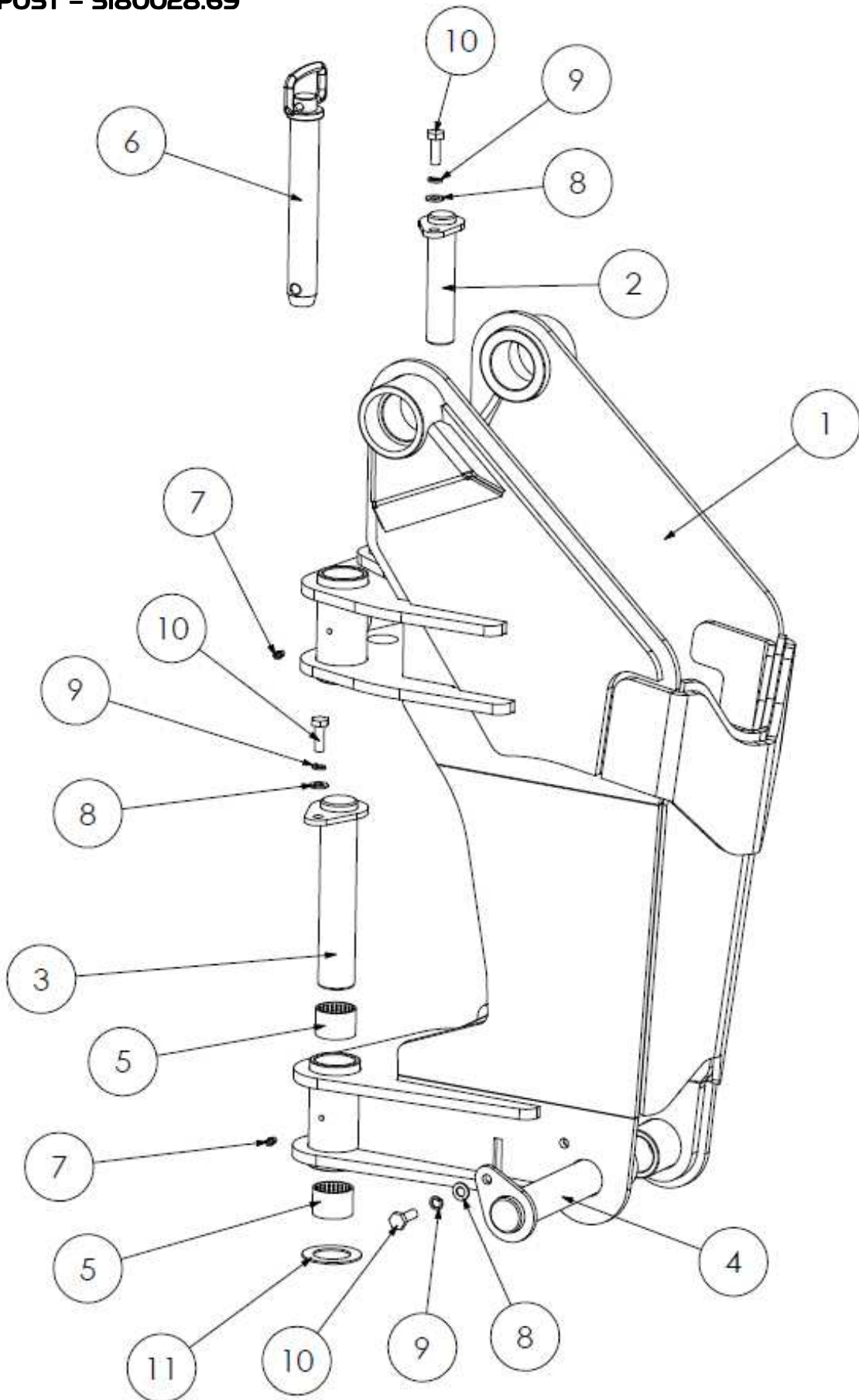
Spearhead TWIGA PRO

LH MAIN FRAME - S180028.00
RH MAIN FRAME - S180028.68
LH BRACKET MOUNTED MAIN FRAME - S180028.21
RH BRACKET MOUNTED MAIN FRAME - S180028.III

REF NO.	PART NO.	QTY.	DESCRIPTION
1	180700	1	LH MAIN FRAME
1	180882	1	RH MAIN FRAME
1	180080	1	LH BRACKET MOUNTED MAIN FRAME
1	180081	1	RH BRACKET MOUNTED MAIN FRAME
2	180720	2	LEG STAND
3	180705	1	TANK COVER
4	1782100	1	PEAR PIN: 30 X 132 mm
5	5771637	1	TANK COVER GASKET
6	8770634	1	RUBBER CUSHION
7	1777029	2	SPACER
9	3900063	1	LEVEL GAUGE
10	8777526	4	CAP
11	46505.01	1	DOCUMENTS FLASK
14	2770244	2	M8 REPAIR WASHER
15	2770323	2	M8 SHAKE PROOF WASHER
16	2770589	2	M8 X 20 BUTTON
17	2770434	13	M10 FLAT WASHER
18	2770412	1	M10 NYLOCK
20	2770421	13	M10 X 30 BOLT
21	2770551	1	M24 X 80 BOLT
22	2770460	1	M24 FULL NUT
23	6310215	2	PIN
24	T1698	2	BUNG
25	3460104	2	1/4" BLANKING CAP
27	3260073	1	3/4" BONDED SEAL
28	8401063	1	BREATHER
29	2770353	12	M10 FIBRE WASHER

Spearhead TWIGA PRO

LH SLEW POST - S180028.01
RH SLEW POST - S180028.69



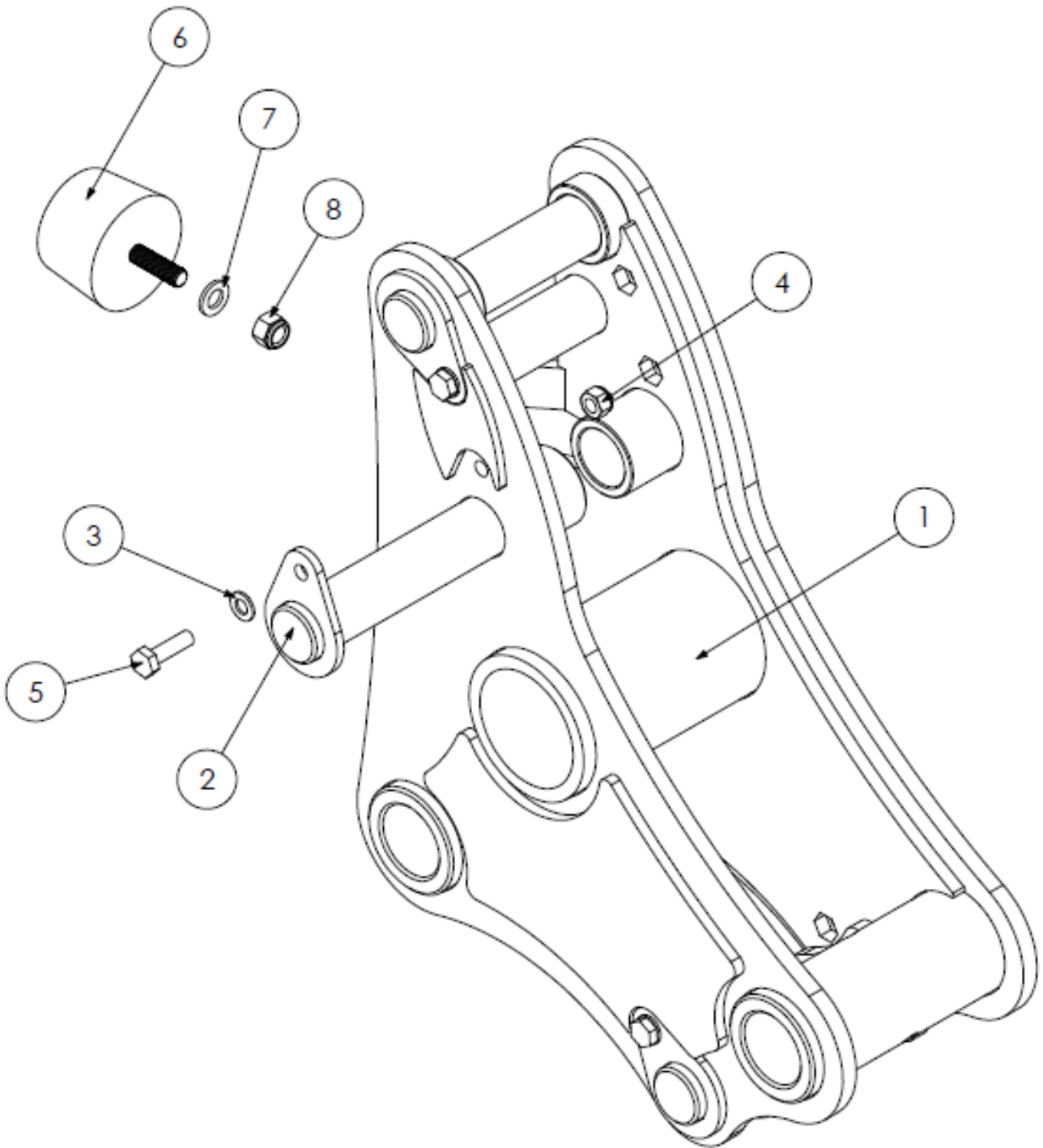
Spearhead TWIGA PRO

LH SLEW POST – S180028.01
RH SLEW POST – S180028.69

REF NO.	PART NO.	QTY.	DESCRIPTION
1	180701	1	LH SLEW POST
1	180883	1	RH SLEW POST
2	1782100	1	PEAR PIN: 30 X 132 mm
3	1782102	2	PEAR PIN: 40 X 198 mm
4	1782104	1	PEAR PIN: 40 X 174 mm
5	4600148	4	BUSH
6	6310230	1	TRANSPORT LOCK PIN
7	2770467	2	M6 ST GREASE NIPPLE
8	2770434	4	M10 FLAT WASHER
9	2770469	4	M10 SPRING WASHER
10	2770421	4	M10 X 30 BOLT
11	191.067	2	THRUST WASHER

Spearhead TWIGA PRO

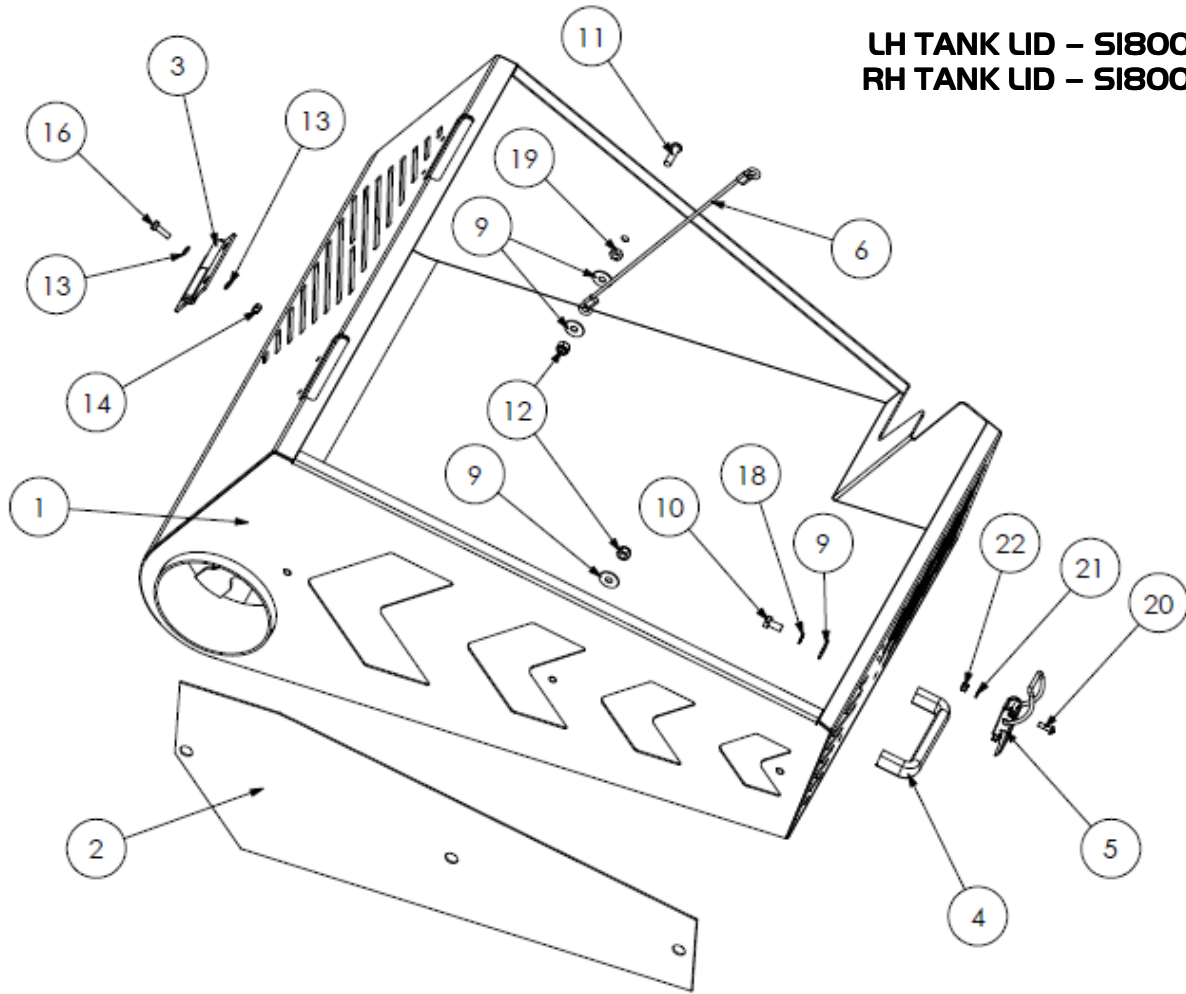
LIFT FRAME - 5180028.02



REF NO.	PART NO.	QTY	DESCRIPTION
1	180272	1	LIFT FRAME
2	1782104	3	PEAR PIN: 40 X 154mm
3	2770434	3	M10 FLAT WASHER
4	2770412	3	M10 NYLOCK
5	2770396	3	M10 X 35 BOLT
6	8770634	1	RUBBER CUSHION
7	2770436	1	M12 FLAT WASHER
8	2770417	1	M12 NYLOCK NUT

Spearhead TWIGA PRO

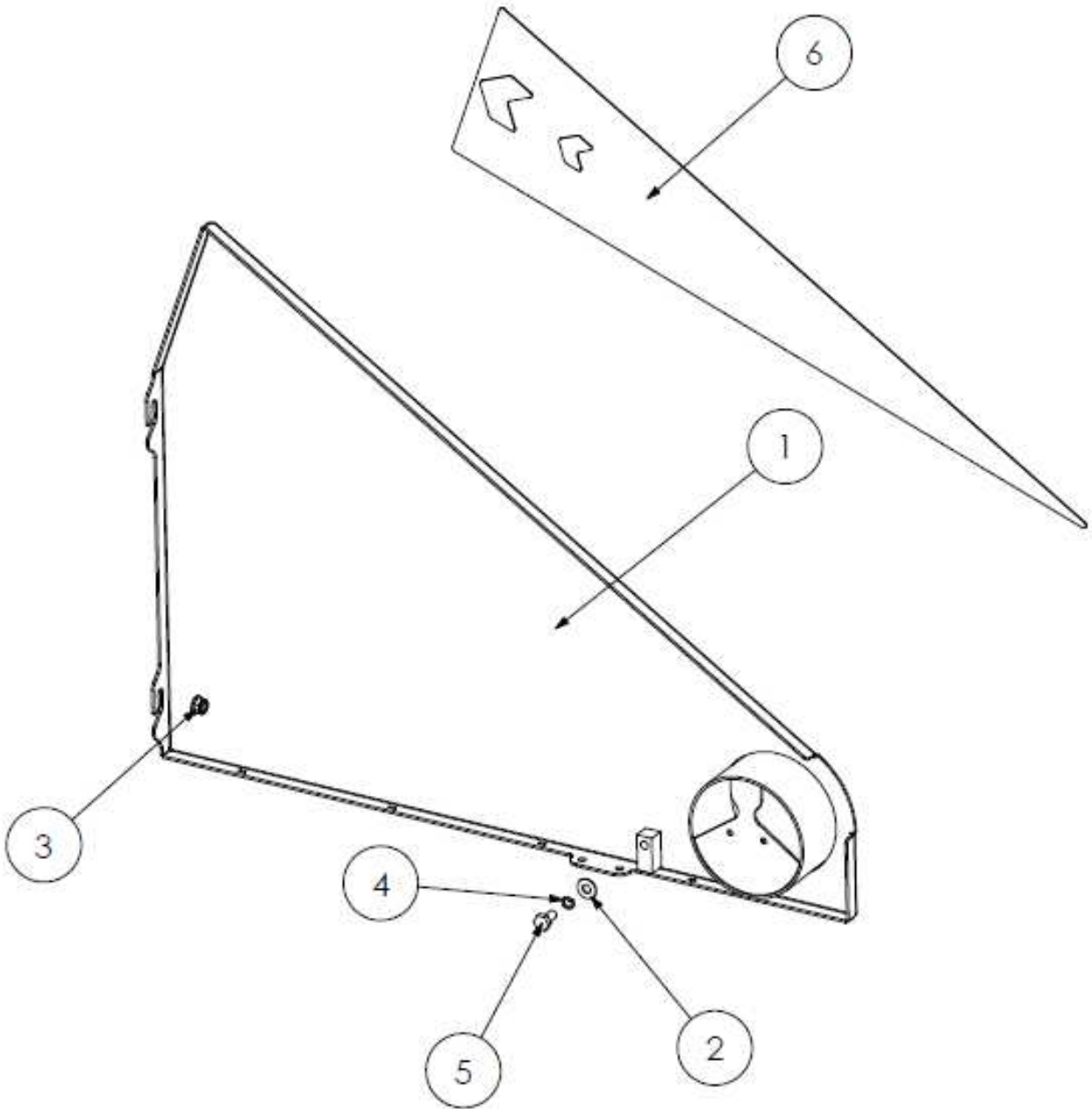
LH TANK LID – S180028.03
RH TANK LID – S180028.70



REF NO.	PART NO.	QTY.	DESCRIPTION
1	180703	1	LH TANK LID
1	180884	1	RH TANK LID
2	180717	1	TANK LID MESH
3	46065.01	2	HINGE
3	46065.02	2	HINGE
4	21313.01	1	HANDLE
5	6310262	1	LATCH
6	6770939	1	WIRE ROPE
9	2770244	7	M8 REPAIR WASHER
10	2770402	2	M8 X 20 BOLT
11	2770589	2	M8 X 20 BUTTON
12	2770416	7	M8 NYLOCK
13	2771408	16	M6 FLAT WASHER
14	2770373	8	M6 NYLOCK
18	05.283.01	2	M8 SHAKE PROOF WASHER
19	2770491	2	M8 FULL NUT
20	2770580	2	M5 X 16 SCREW
21	2770391	2	M5 FLAT WASHER
22	2770394	2	M5 NYLOCK

Spearhead TWIGA PRO

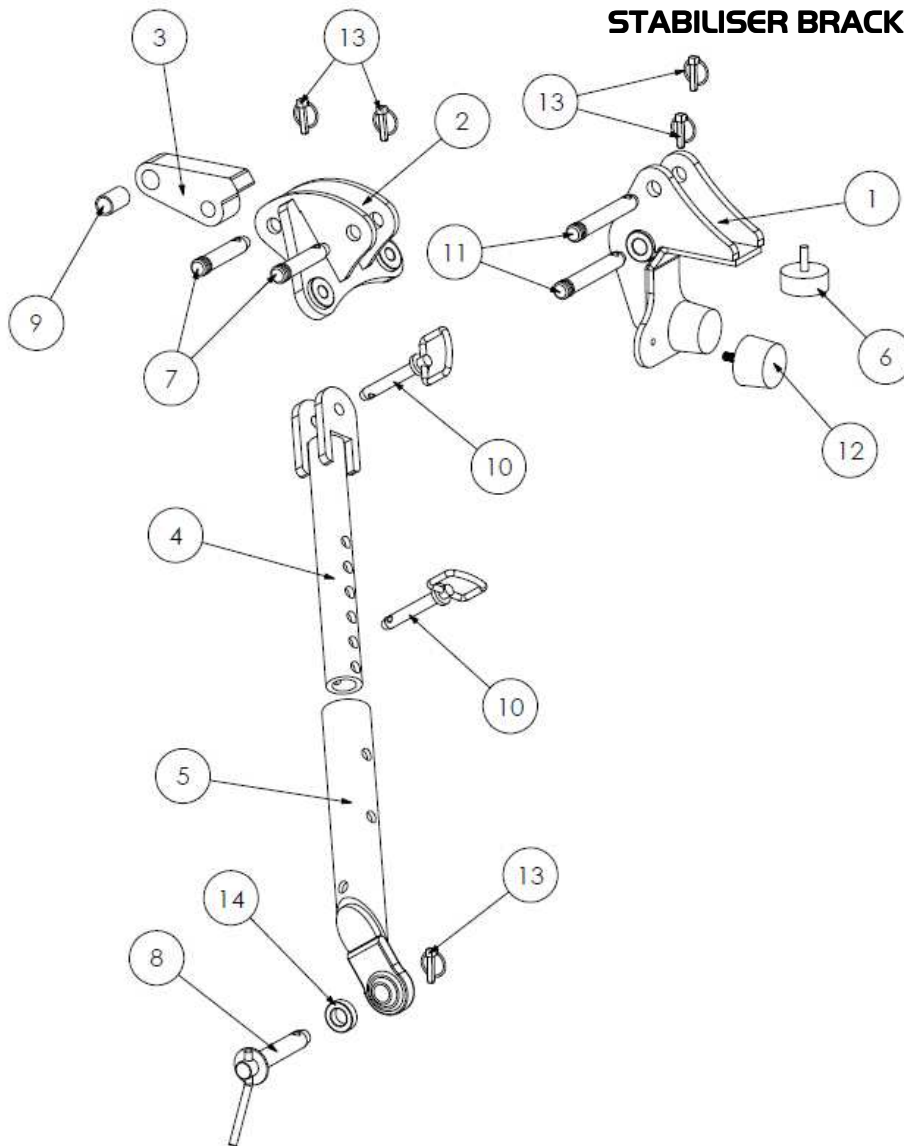
LH REAR PANEL – S180028.04
RH REAR PANEL – S180028.71



REF NO.	PART NO.	QTY.	DESCRIPTION
1	180704	1	LH REAR PANEL
1	180885	1	RH REAR PANEL
2	2770437	1	M10 REPAIR WASHER
3	05.287.21	2	M10 FLANGE NYLOCK
4	2770469	1	M10 SPRING WASHER
5	2770418	1	M10 X 20 BOLT
6	8770404	1	LH DECAL
6	8770405	1	RH DECAL

Spearhead TWIGA PRO

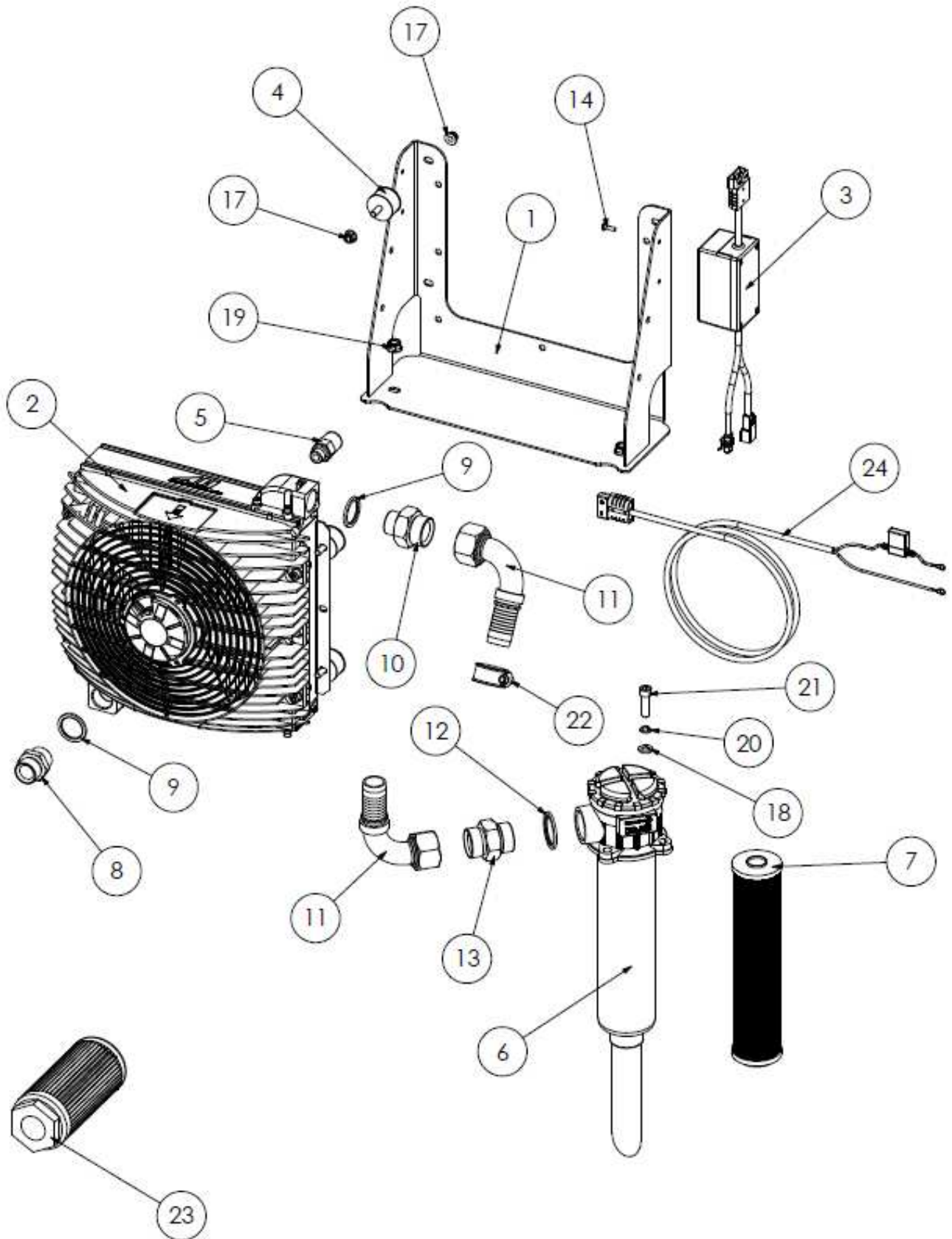
STABILISER BRACKETS – S180028.05



REF NO.	PART NO.	QTY.	DESCRIPTION
1	180509	1	CAT II TOP LINK CUSHION BRACKET
1	180958	OPT	CAT III TOP LINK CUSHION BRACKET
2	1800289	1	STABILISER BRACKET
3	181353	1	STABILISER TONGUE - STD
3	1777873NS	OPT	STABILISER TONGUE - NEW HOLLAND STD
3	1777873N	OPT	STABILISER TONGUE - NEW HOLLAND LONG
4	1777532	2	INNER STABILISER
5	1777533A	2	OUTER STABILISER
6	45987.01	1	RUBBER CUSHION
7	6310203	2	TOP LINK PIN - SHORT
8	6310208	4	LOWER LINK PIN
9	6310214	1	CONVERSION BUSH
10	6310215	4	PIN
11	6310235	2	TOP LINK PIN - LONG
12	8770634	2	RUBBER CUSHION
13	00.372.01	8	LYNCH PIN
14	43332.01	4	SPACER - 15mm

Spearhead TWIGA PRO

OIL COOLER - SI80028.06



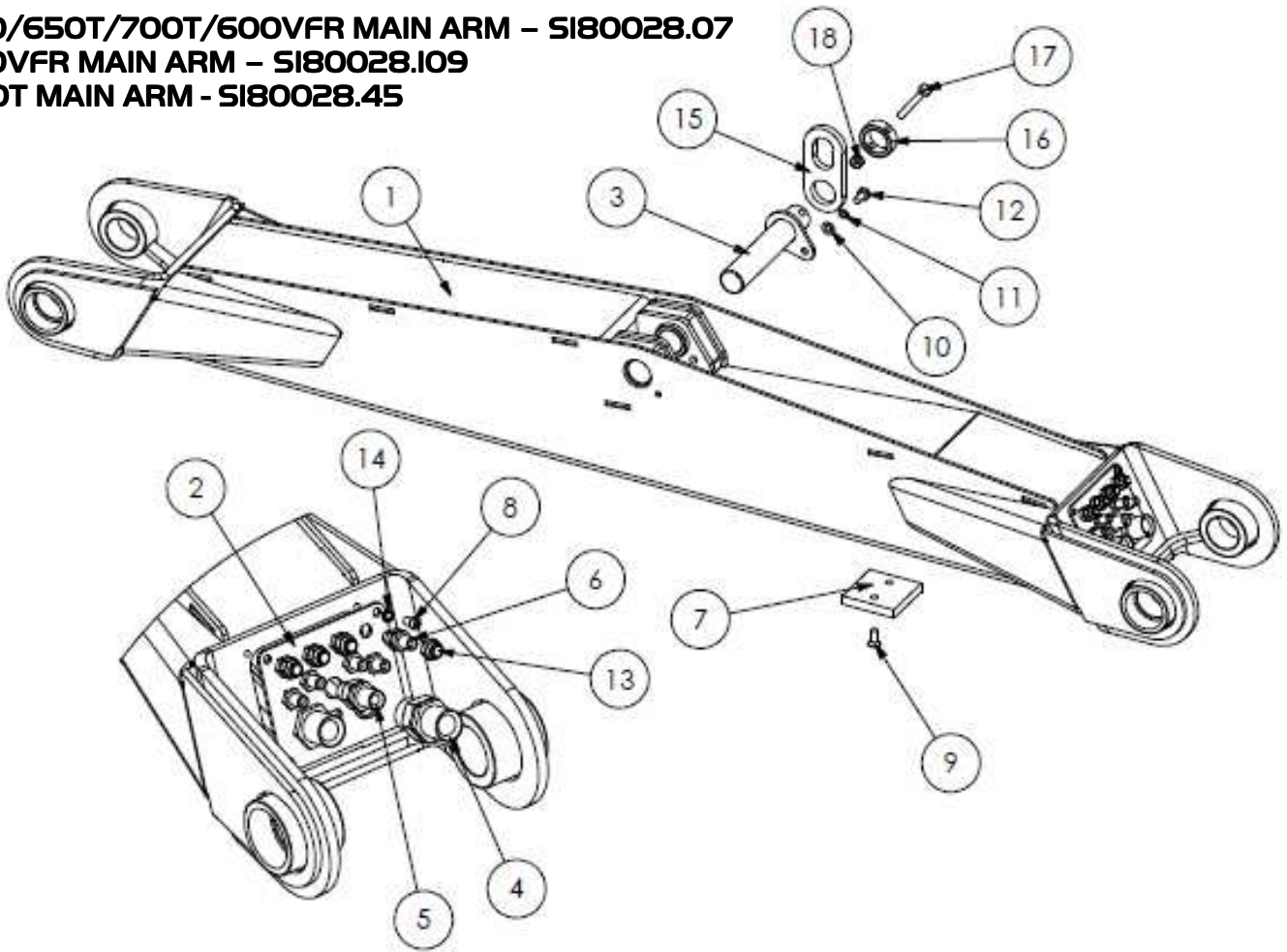
Spearhead TWIGA PRO

OIL COOLER – S180028.06

REF NO.	PART NO.	QTY.	DESCRIPTION
1	180706	1	OIL COOLER BRACKET
2	3151084	1	OIL COOLER
3	8770843	1	CONTROL BOX
4	8770603	4	RUBBER MOUNT
5	47313.03	1	THERMOSTAT
6	3900045	1	RETURNS FILTER
7	3900079	-	FILTER ELEMENT
8	3360092	1	1" M-M ADAPTOR
9	3260074	2	1" BONDED SEAL
10	3360078	1	1" X 1 ¼" M-M
11	3761004	2	1 ¼" FM SWEPT HOSE TAIL
12	3260075	1	1 ¼" BONDED SEAL
13	3360095	1	1 ¼" M-M
14	2770580	2	M5 X 15 SCREW
17	05.284.20	8	M8 NYLOCK
18	2770434	4	M10 FLAT WASHER
19	05.284.21	2	M10 NYLOCK
20	2770469	4	M10 SPRING WASHER
21	30.072.27	4	M10 X 35 SKT CAP
22	3700241	4	HOSE CLAMP
23	8401047	1	SUCTION FILTER
24	8770844	1	OIL COOLER POWER LEAD

Spearhead TWIGA PRO

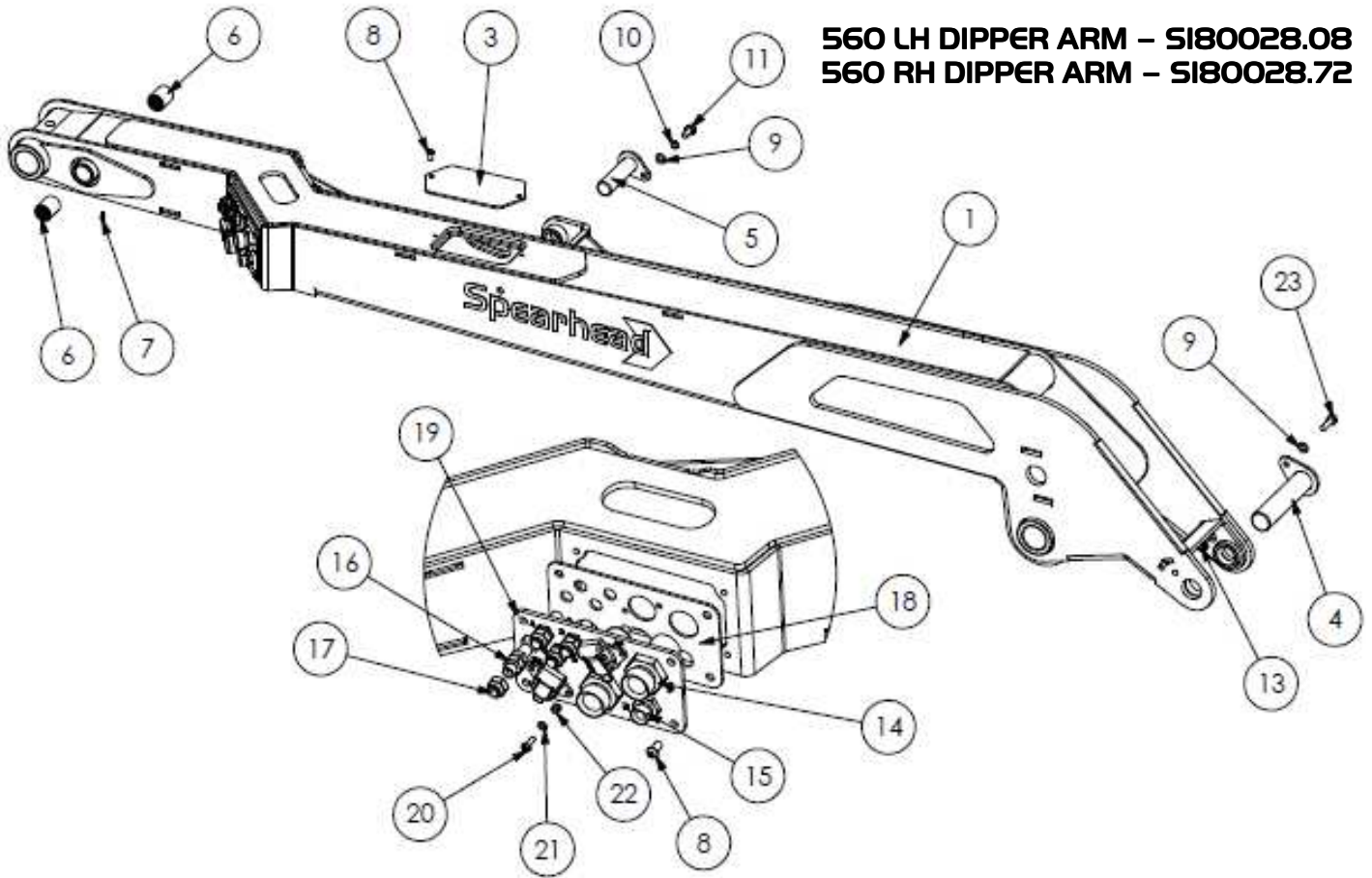
560/650T/700T/600VFR MAIN ARM – S180028.07
 650VFR MAIN ARM – S180028.109
 800T MAIN ARM - S180028.45



REF NO.	PART NO.	QTY.	DESCRIPTION
1	181102	1	MAIN ARM – 560/650T/700T/600VFR
1	181376	1	MAIN ARM – 650VFR
1	180721	1	MAIN ARM - 800T
2	181105	1	BULKHEAD
3	1782121	1	PEAR PIN: 40 X 174 mm
3	1782138	1	PEAR PIN: 40 X 214 mm - 800T
4	3460115	2	1" BULKHEAD
5	3700187	1	½" BULKHEAD
6	3460122	8	¼" BULKHEAD
7	8770637	1	NYLON PAD
8	2770370	4	M8 X 15 BUTTON
9	2770554	2	M10 X 25 SKT CSK SCREW
10	2770434	1	M10 FLAT WASHER
11	2770469	1	M10 SPRING WASHER
12	2770418	1	M10 X 20 BOLT
13	3460104	6	¼" BLANKING CAP
14	05.283.01	4	M8 SHAKE PROOF WASHER
15	180007	1	LIFTING EYE
16	46194.02	1	COLLAR
17	05.291.19	1	M10 X 70 BOLT
18	2770412	1	M10 NYLOCK

Spearhead TWIGA PRO

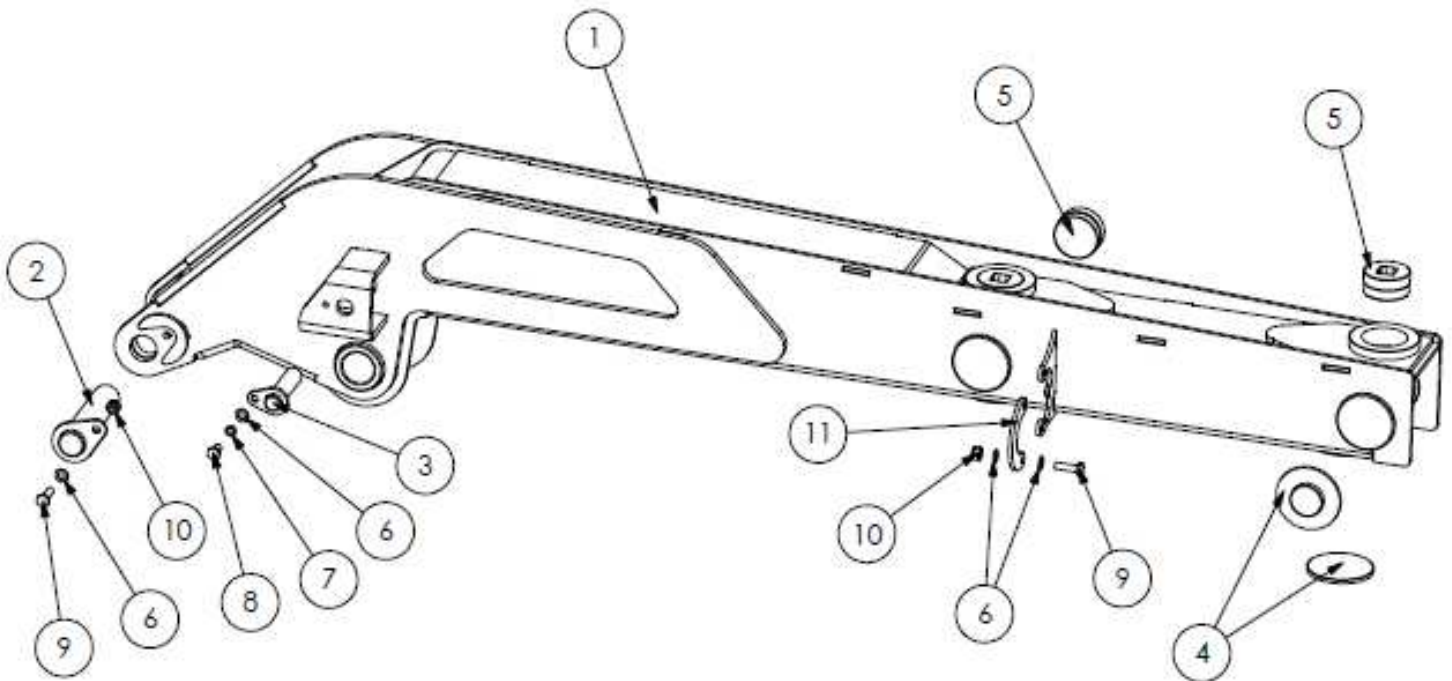
560 LH DIPPER ARM – S180028.08
 560 RH DIPPER ARM – S180028.72



REF NO.	PART NO.	QTY.	DESCRIPTION
1	180274	1	LH DIPPER ARM
1	180276	1	RH DIPPER ARM
3	180715	1	TOP ACCESS PLATE
4	1782104	1	PEAR PIN: 40 X 174 mm
5	1782106	1	PEAR PIN: 30 X 106 mm
6	42654.08	2	BUSH
7	2770639	1	M6 EXTENDED GREASE NIPPLE
8	2770370	6	M8 X 15 BUTTON
9	2770434	2	M10 FLAT WASHER
10	2770469	1	M10 SPRING WASHER
11	2770418	1	M10 X 20 BOLT
13	2770412	1	M10 NYLOCK
14	3460115	2	1" BULKHEAD
15	3700187	1	½" BULKHEAD
16	3460122	4	¼" BULKHEAD
17	3460104	4	¼" BLANKING CAP
18	180275	1	BULKHEAD PLATE
19	180278	1	LH BULKHEAD RETAINING PLATE
19	180279	1	RH BULKHEAD RETAINING PLATE
20	05.961.03	4	M5 X 20 SCREW
21	2770391	4	M5 FLAT WASHER
22	2770394	4	M5 NYLOCK
23	2770396	1	M10 X 35 BOLT

Spearhead TWIGA PRO

- LH 650T OUTER DIPPER ARM – S180028.55
- RH 650T OUTER DIPPER ARM – S180028.74
- LH 700T OUTER DIPPER ARM – S180028.57
- RH 700T OUTER DIPPER ARM – S180028.76
- LH 800T OUTER DIPPER ARM – S180028.59
- RH 800T OUTER DIPPER ARM – S180028.78



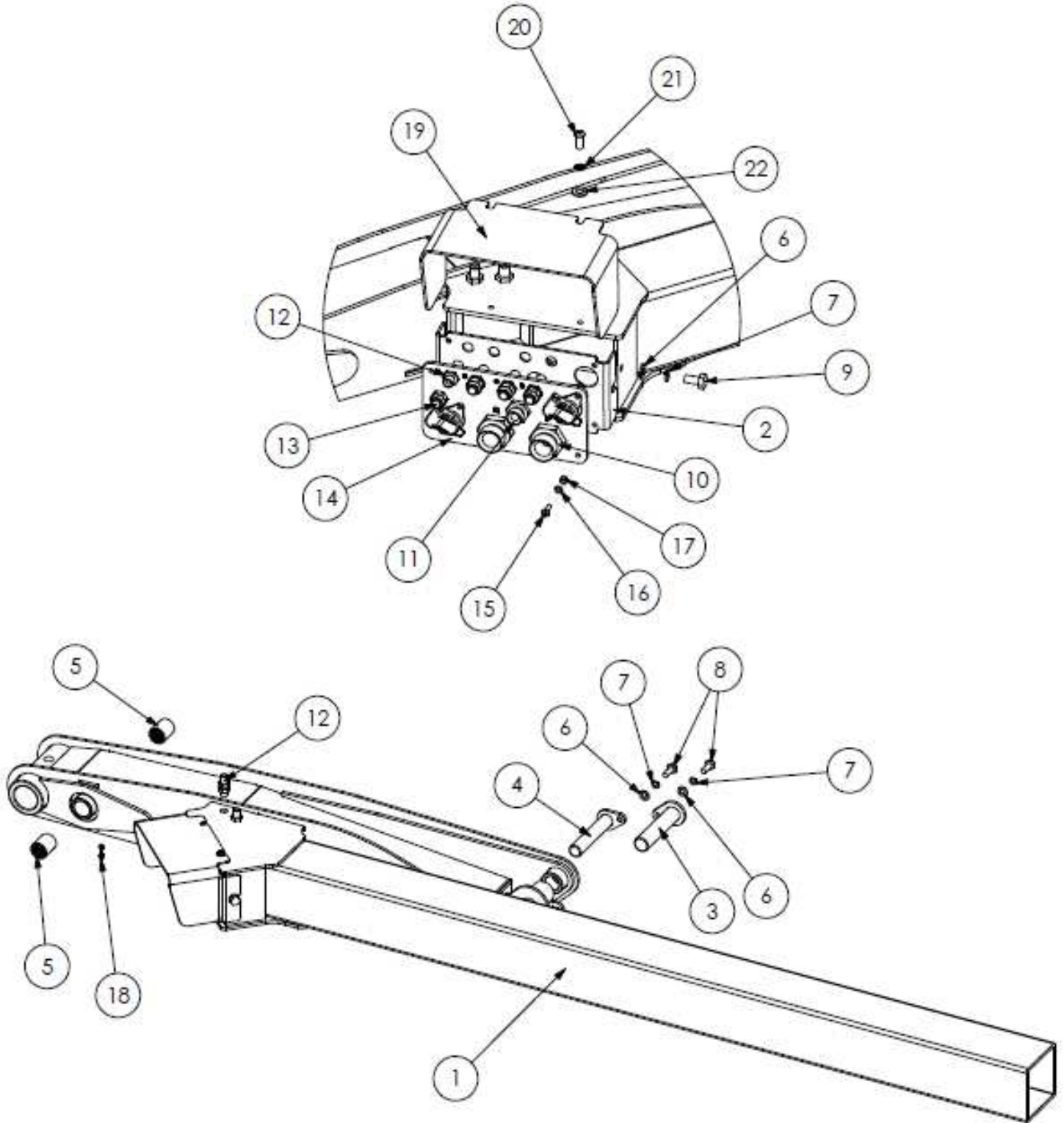
Spearhead TWIGA PRO

LH 650T OUTER DIPPER ARM – S180028.55
RH 650T OUTER DIPPER ARM – S180028.74
LH 700T OUTER DIPPER ARM – S180028.57
RH 700T OUTER DIPPER ARM – S180028.76
LH 800T OUTER DIPPER ARM – S180028.59
RH 800T OUTER DIPPER ARM – S180028.78

REF NO.	PART NO.	QTY.	DESCRIPTION
1	180250	1	LH OUTER DIPPER ARM - 650T
1	180252	1	RH OUTER DIPPER ARM - 650T
1	180254	1	LH OUTER DIPPER ARM - 700T
1	180256	1	RH OUTER DIPPER ARM - 700T
1	180889	1	LH OUTER DIPPER ARM - 800T
1	180918	1	RH OUTER DIPPER ARM - 800T
2	1782104	1	PEAR PIN: 40 X 174 mm
3	1782108	1	PEAR PIN: 25.4 X 99 mm
4	4600152	4	WEAR PAD - 650T / 700T
4	4600152	6	WEAR PAD - 800T
5	4600121A	4	ADJUSTABLE WEAR PAD
5	4600121A	6	ADJUSTABLE WEAR PAD - 800T
6	2770434	6	M10 FLAT WASHER
7	2770469	1	M10 SPRING WASHER
8	2770418	1	M10 X 20 BOLT
9	2770396	2	M10 X 35 BOLT
10	2770412	3	M10 NYLOCK
11	181078	1	RAM GUIDE

Spearhead TWIGA PRO

LH 650T INNER DIPPER ARM – S180028.56
RH 650T INNER DIPPER ARM – S180028.75
LH 700T INNER DIPPER ARM – S180028.58
RH 700T INNER DIPPER ARM – S180028.77
LH 800T INNER DIPPER ARM – S180028.60
RH 800T INNER DIPPER ARM – S180028.79



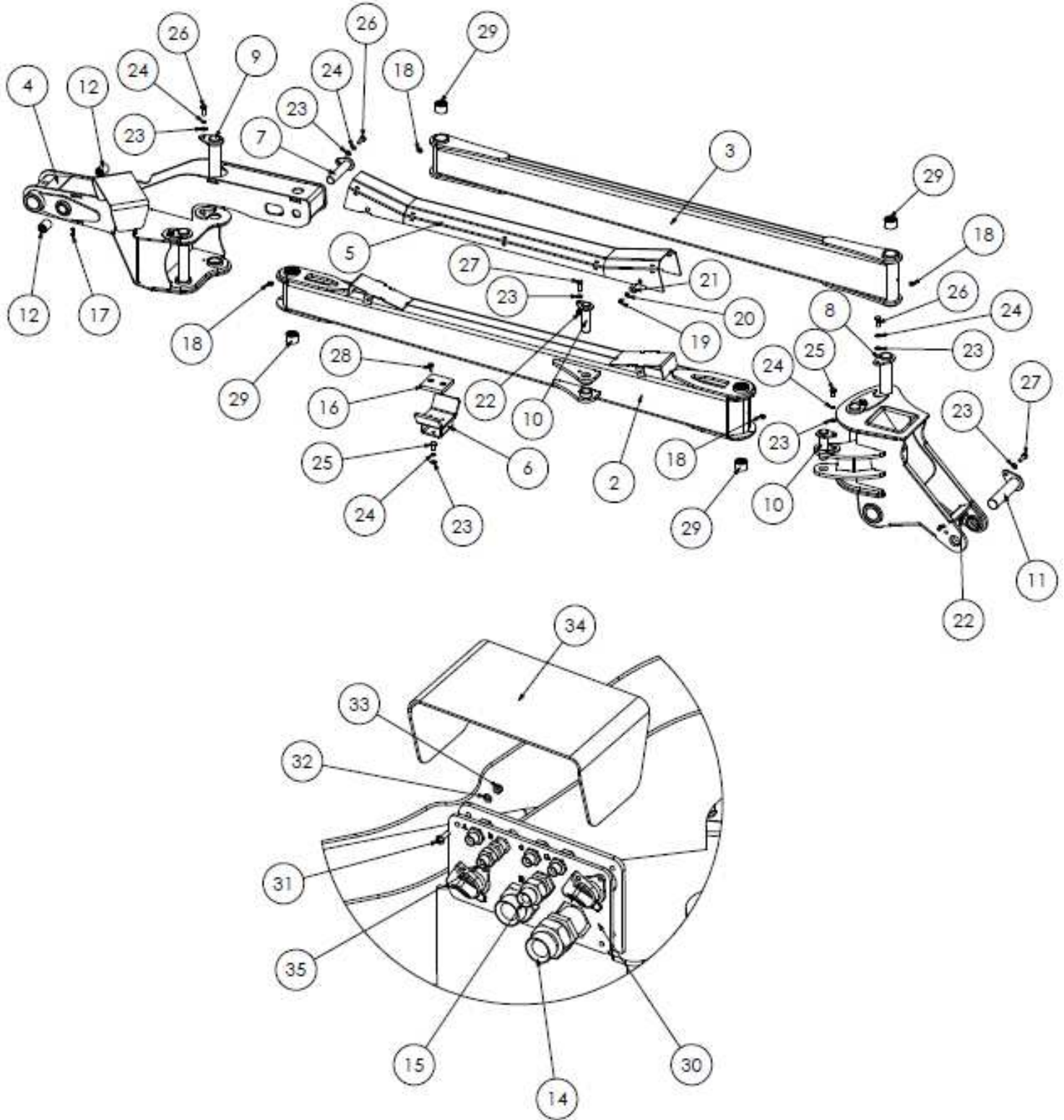
Spearhead TWIGA PRO

LH 650T INNER DIPPER ARM – S180028.56
RH 650T INNER DIPPER ARM – S180028.75
LH 700T INNER DIPPER ARM – S180028.58
RH 700T INNER DIPPER ARM – S180028.77
LH 800T INNER DIPPER ARM – S180028.60
RH 800T INNER DIPPER ARM – S180028.79

REF NO.	PART NO.	QTY.	DESCRIPTION
1	180251	1	LH INNER DIPPER ARM - 650T
1	180253	1	RH INNER DIPPER ARM - 650T
1	180255	1	LH INNER DIPPER ARM - 700T
1	180257	1	RH INNER DIPPER ARM - 700T
1	180890	1	LH INNER DIPPER ARM - 800T
1	180919	1	RH INNER DIPPER ARM - 800T
2	180083	1	LH BULKHEAD
2	180099	1	RH BULKHEAD
3	1782100	1	PEAR PIN: 30 X 132 mm
4	1782109	1	PEAR PIN: 25.4 X 132 mm
5	42654.08	2	BUSH
6	2770434	4	M10 FLAT WASHER
7	2770469	4	M10 SPRING WASHER
8	2770407	2	M10 X 25 BOLT
9	2770418	2	M10 X 20 BOLT
10	3460115	2	1" BULKHEAD
11	3700187	1	1/2" BULKHEAD
12	3460122	6	1/4" BULKHEAD
13	3460104	4	1/4" BLANKING CAP
14	180263	1	LH BULKHEAD RETAINING PLATE
14	180264	1	RH BULKHEAD RETAINING PLATE
15	05.961.03	6	M5 X 20 SCREW
16	2770391	6	M5 FLAT WASHER
17	2770394	6	M5 NYLOCK
18	2770639	1	M6 EXTENDED GREASE NIPPLE
19	181492	1	BULKHEAD COVER
20	2770370	2	M8 X 15 SKT BUTTON SCREW
21	05.283.01	2	M8 SHAKE PROOF WASHER
22	2770432	2	M8 FLAT WASHER

Spearhead TWIGA PRO

LH 600VFR DIPPER ARM – S180028.97
RH 600VFR DIPPER ARM – S180028.102
LH 650VFR DIPPER ARM – S180028.104
RH 650VFR DIPPER ARM – S180028.105



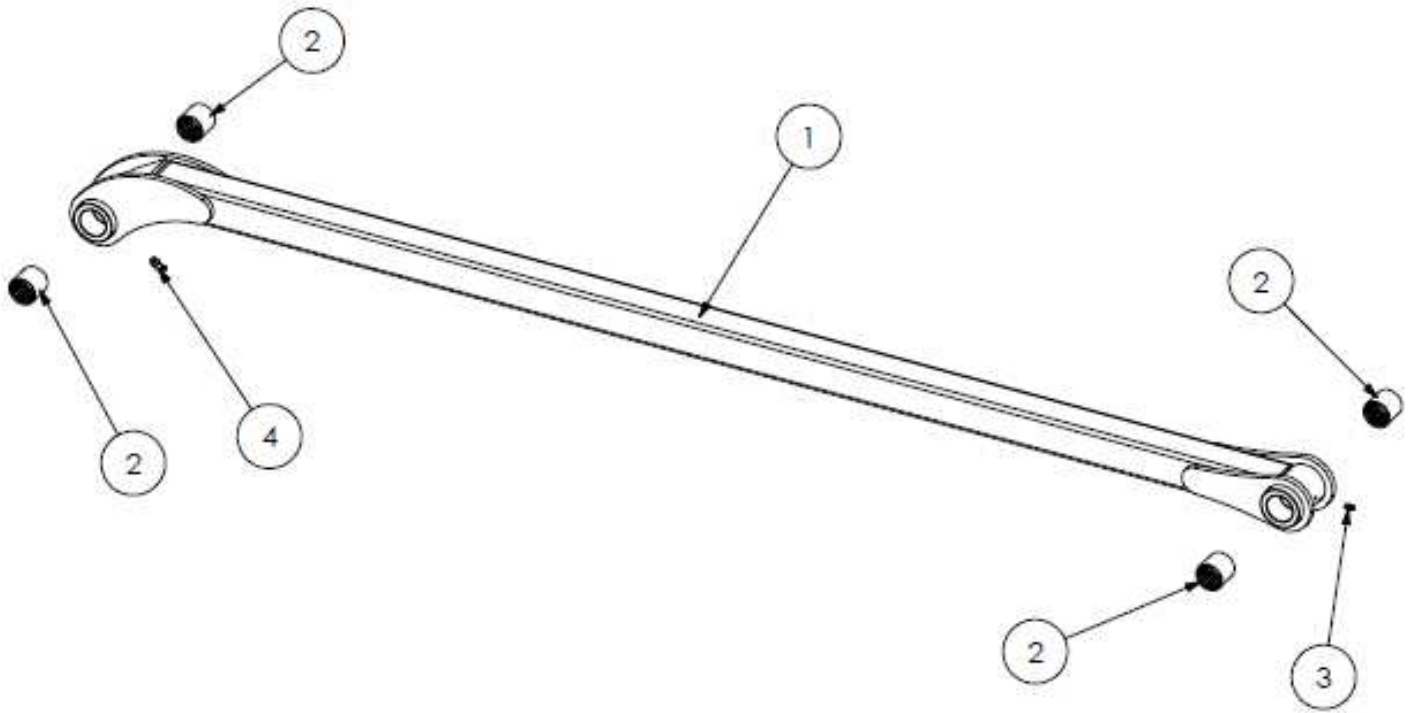
Spearhead TWIGA PRO

LH 600VFR DIPPER ARM – S180028.97
 RH 600VFR DIPPER ARM – S180028.102
 LH 650VFR DIPPER ARM – S180028.104
 RH 650VFR DIPPER ARM – S180028.105

REF NO.	PART NO.	QTY.	DESCRIPTION
1	180892	1	LH KNUCKLE
1	180003	1	RH KNUCKLE
2	180893	1	LH PARALLEL ARM
2	180004	1	RH PARALLEL ARM
3	180894	1	TIE BAR
4	180298	1	LH DIPPER ARM - 600VFR
4	180299	1	RH DIPPER ARM - 600VFR
4	180300	1	LH DIPPER ARM - 650VFR
4	180301	1	RH DIPPER ARM - 650VFR
5	180983	1	PARALLEL ARM HOSE GUARD
6	180984	1	BUMP STOP
7	1782100	1	PEAR PIN: 30 X 132 mm
8	1782117	2	PEAR PIN: 40 X 274 mm
9	1782118	2	PEAR PIN: 40 X 220 mm
10	1782119	2	PEAR PIN: 30 X 100 mm
11	1782104	1	PEAR PIN: 40 X 174 mm
12	42654.08	2	BUSH
14	3460115	2	1" BULKHEAD
15	3700187	1	1/2" BULKHEAD
16	8770637	1	NYLON PAD
17	2770639	1	M6 EXTENDED GREASE NIPPLE
18	2770497	4	M6 90 GREASE NIPPLE
19	2770370	4	M8 X 16 BUTTON BOLT
20	2770323	4	M8 SHAKE PROOF WASHER
21	2770244	4	M8 FLAT WASHER
22	2770412	2	M10 NYLOCK
23	2770434	10	M10 FLAT WASHER
24	2770469	8	M10 SPRING WASHER
25	2770418	3	M10 X 20 BOLT
26	2770421	5	M10 X 30 BOLT
27	2770396	2	M10 X 35 BOLT
28	2770554	2	M10 X 20 SKT CSK SCREW
29	4600148	8	BUSH
30	180263	1	LH BULKHEAD RETAINING PLATE
30	180264	1	RH BULKHEAD RETAINING PLATE
31	05.961.03	6	M5 X 20 SCREW
32	2770391	6	M5 FLAT WASHER
33	2770394	6	M5 NYLOCK
34	181304	1	LH BULKHEAD COVER
34	181303	1	RH BULKHEAD COVER
35	3460122	4	1/4" BULKHEAD

Spearhead TWIGA PRO

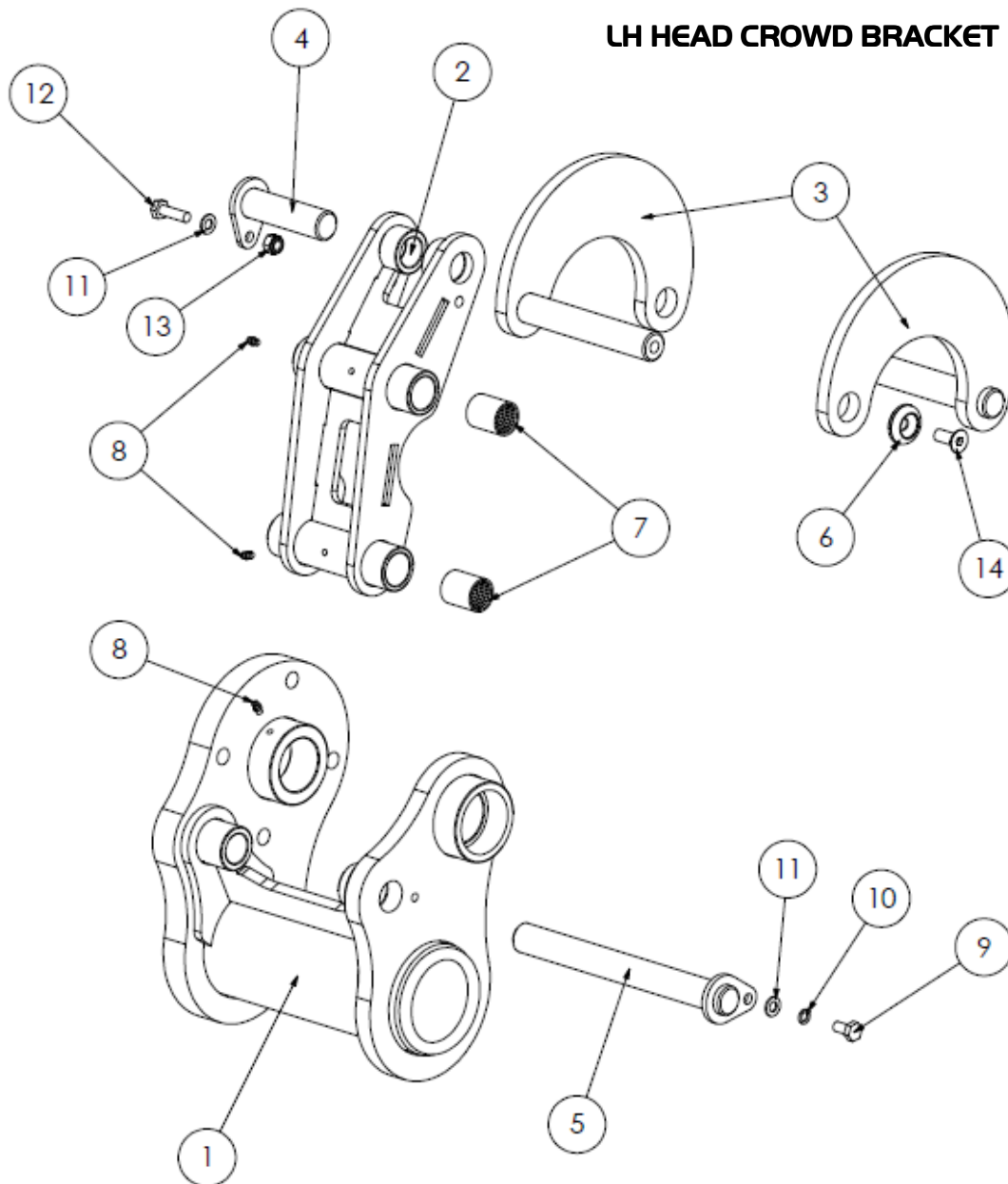
560/650T/700T/600VFR TIE BAR – S180028.09
650VFR TIE BAR – S180028.110
800T TIE BAR - S180028.46



REF NO.	PART NO.	QTY.	DESCRIPTION
1	180709	1	TIE BAR - 560/650T/700T/600VFR
1	180001	1	TIE BAR - 650VFR
1	180723	1	TIE BAR - 800T
2	7115208	4	BUSH
3	2770467	1	M6 ST GREASE NIPPLE
4	2770459	1	M6 45° GREASE NIPPLE

Spearhead TWIGA PRO

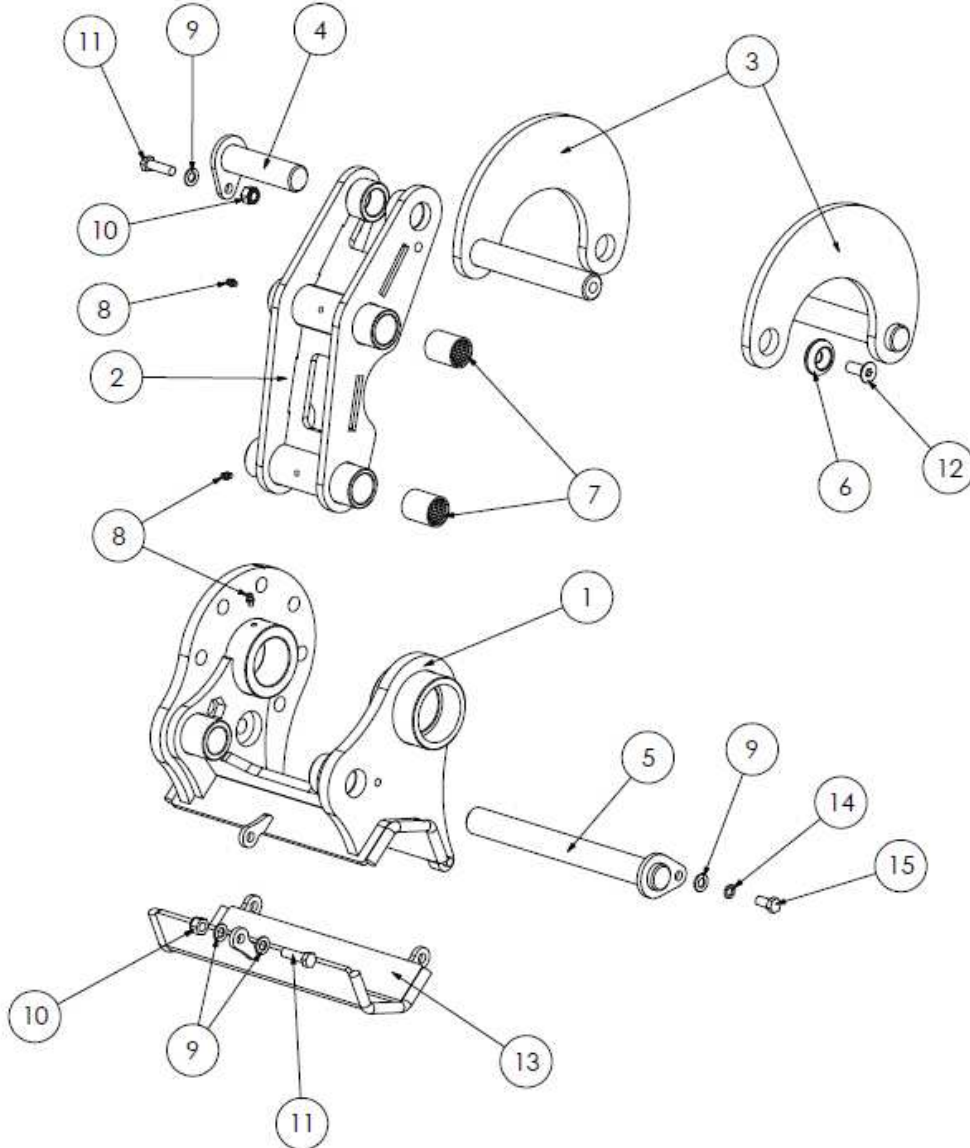
LH HEAD CROWD BRACKET – S180028.140



REF NO.	PART NO.	QTY.	DESCRIPTION
1	180963	1	LH HEAD CROWD BRKT
2	180713	1	HEAD CROWD LINK
3	180714	2	CURVED LINK
4	1782106	1	PEAR PIN: 30 X 106 mm
5	1782107	1	PEAR PIN: 30 X 277 mm
6	1777209	2	RETAINING WASHER - 40mm
7	42654.08	4	BUSH
8	2770467	3	M6 ST GREASE NIPPLE
9	2770418	1	M10 X 20 BOLT
10	2770469	1	M10 SPRING WASHER
11	2770434	4	M10 FLAT WASHER
12	2770396	1	M10 X 35 BOLT
13	2770412	2	M10 NYLOCK
14	2770506	2	M12 X 30 SKT CSK SCREW

Spearhead TWIGA PRO

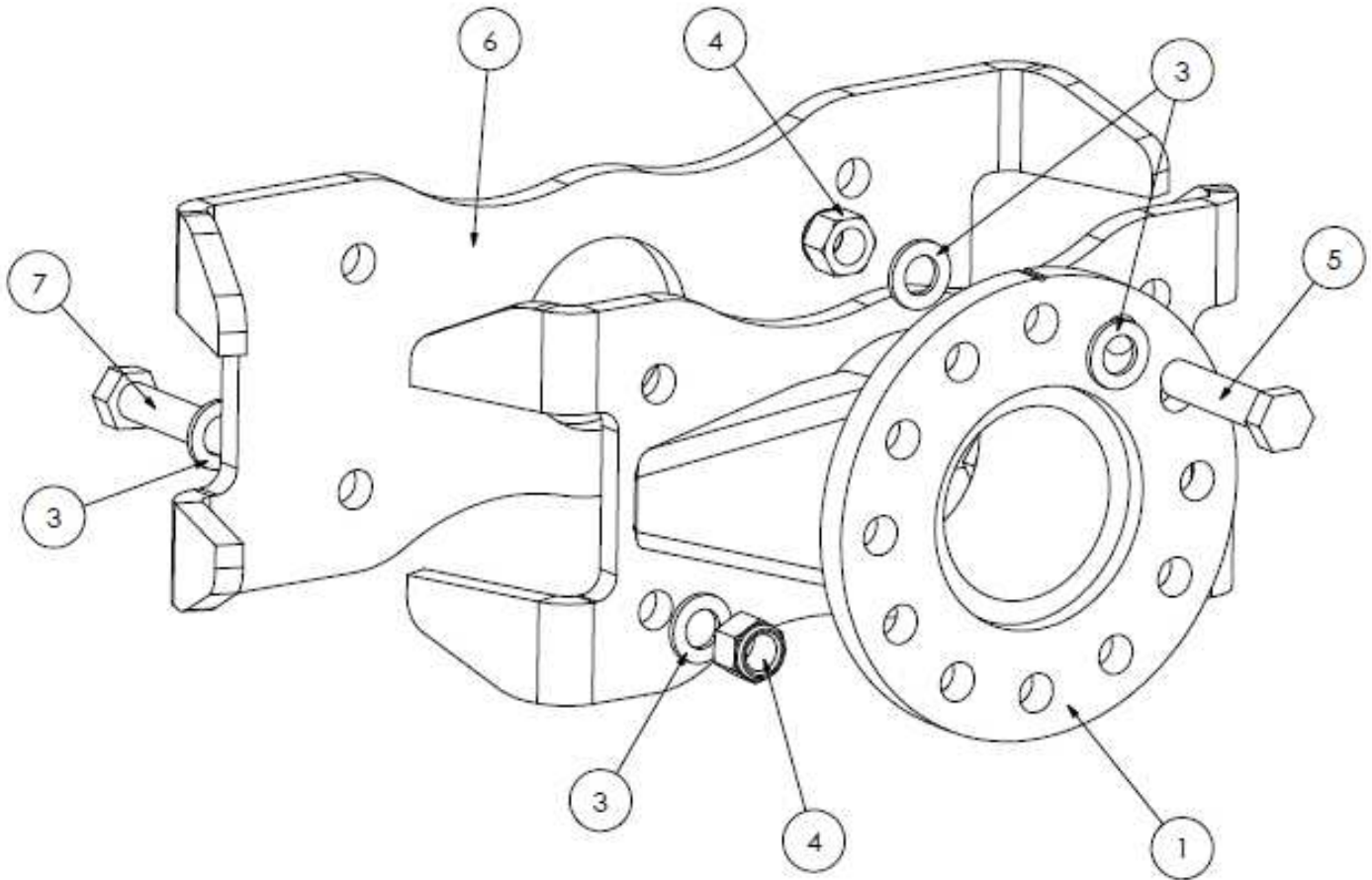
RH HEAD CROWD BRACKET - S180028.73



REF NO.	PART NO.	QTY.	DESCRIPTION
1	180226	1	RH HEAD CROWD BRKT
2	180713	1	HEAD CROWD LINK
3	180714	2	CURVED LINK
4	1782106	1	PEAR PIN: 30 X 106 mm
5	1782107	1	PEAR PIN: 30 X 277 mm
6	1777209	2	RETAINING WASHER - 40mm
7	42654.08	4	BUSH
8	2770467	3	M6 ST GREASE NIPPLE
9	2770434	4	M10 FLAT WASHER
10	2770412	2	M10 NYLOCK
11	2770396	2	M10 X 35 BOLT
12	2770506	2	M12 X 30 SKT CSK SCREW
13	180225	1	HOSE TRAY
14	2770469	1	M10 SPRING WASHER
15	2770418	1	M10 X 20 BOLT

Spearhead TWIGA PRO

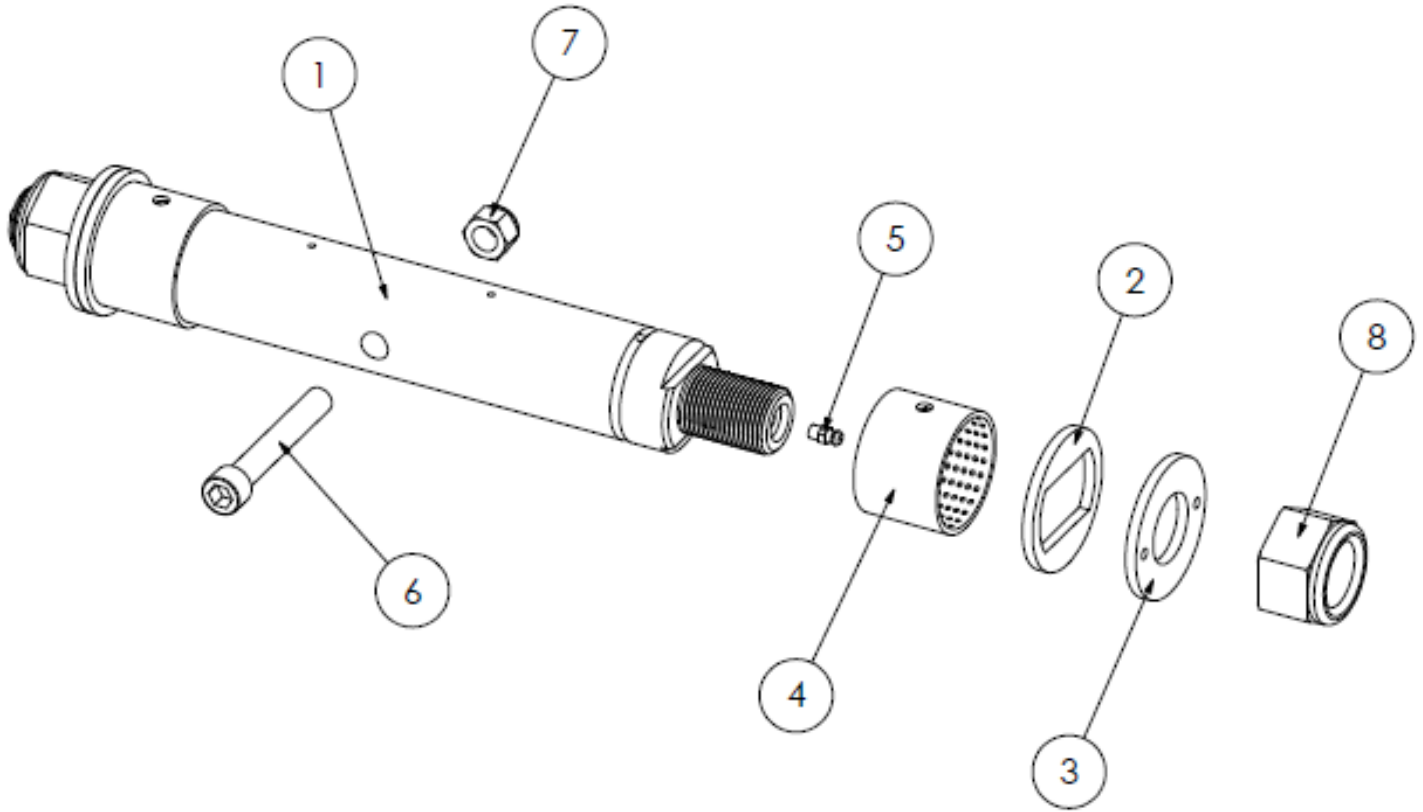
HEAD MOUNT BRACKET – S180028.II



REF NO.	PART NO.	QTY.	DESCRIPTION
1	180233	1	HEAD MOUNT BRACKET
3	2770454	16	M16 FLAT WASHER
4	2770447	8	M16 NYLOCK
5	05.291.39	4	M16 X 70 BOLT
6	181417	1	HEAD CLAMP PLATE
7	2770346	4	M16 X 140 BOLT

Spearhead TWIGA PRO

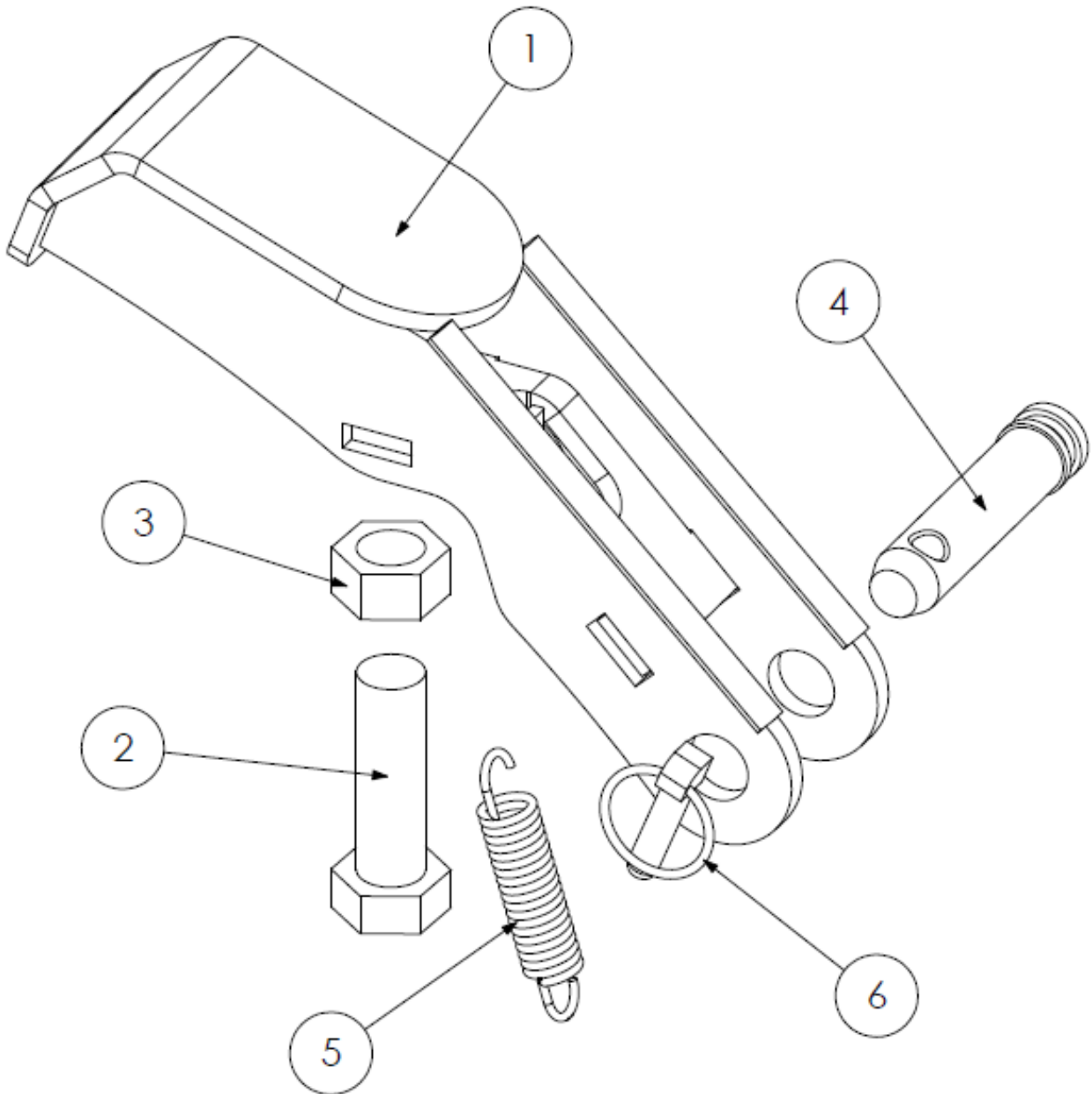
MAIN PIVOT PIN – S180028.I2



REF NO.	PART NO.	QTY.	DESCRIPTION
1	1782077	1	PIVOT PIN
2	180718	2	LOCKING WASHER
3	180719	2	FLOATING WASHER
4	4600149	2	BUSH
5	2770467	2	M6 ST GREASE NIPPLE
6	2770347	1	M12 X 80 SKT CAP
7	2770417	1	M12 NYLOCK
8	05.287.07	2	M30 NYLOCK

Spearhead TWIGA PRO

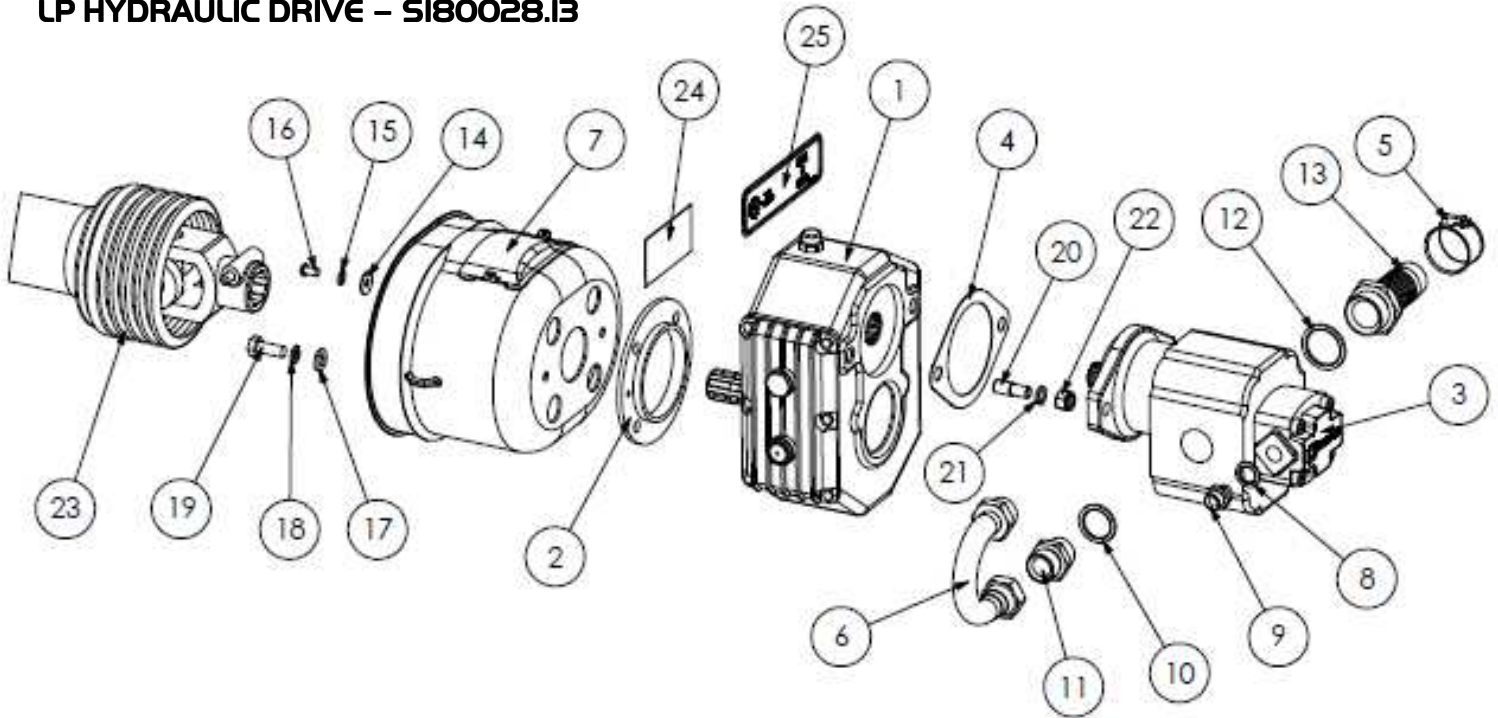
ARM BUMP STOP BRACKET - S180028.I4I



REF NO.	PART NO.	QTY.	DESCRIPTION
1	181418	1	ARM STOP BRACKET
2	2770551	1	M24 X 80 BOLT
3	2770460	1	M24 FULL NUT
4	6310203A	1	PIN
5	6310209	1	SPRING
6	00.372.01	1	LYNCH PIN

Spearhead TWIGA PRO

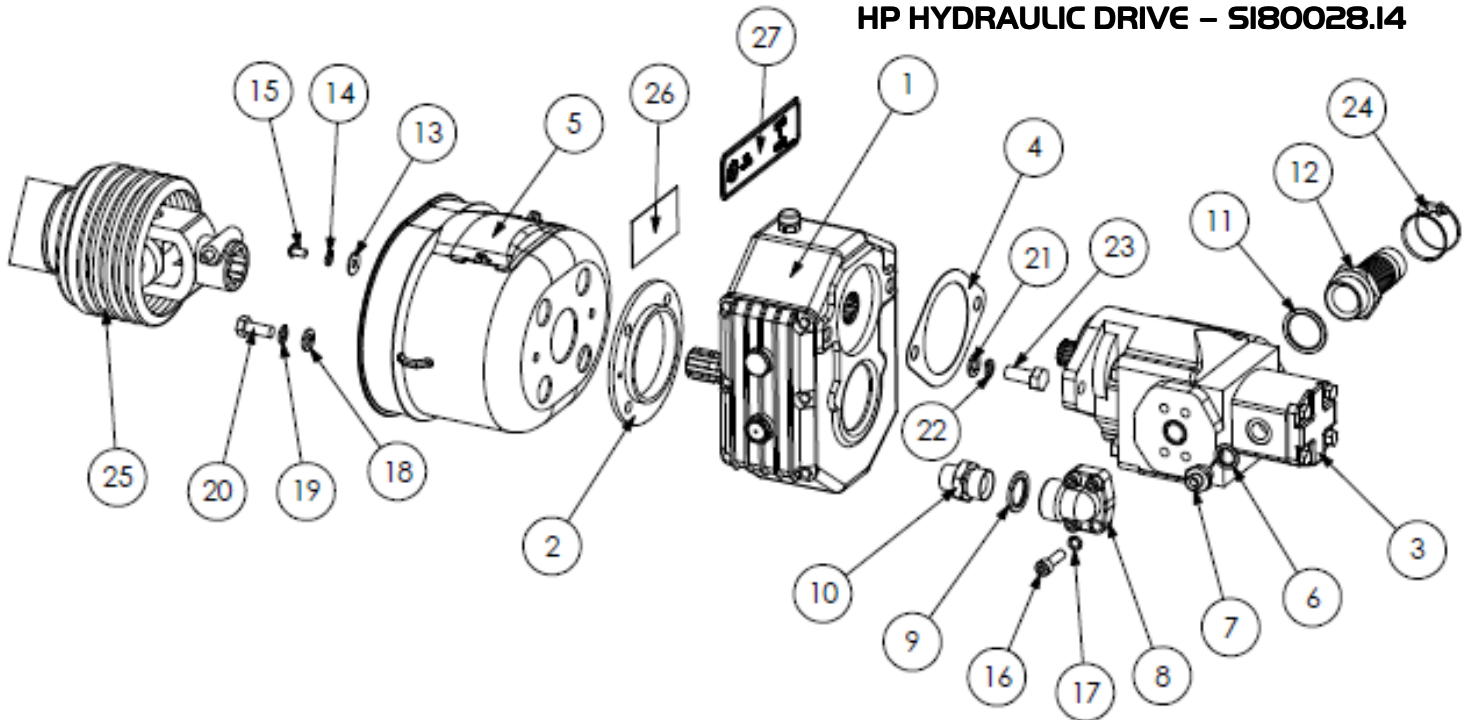
LP HYDRAULIC DRIVE – S180028.I3



REF NO.	PART NO.	QTY.	DESCRIPTION
1	3151080	1	GEARBOX (Pg 58)
2	1778200	1	GEARBOX SUPPORT RING
3	3151096	1	TANDEM PUMP
3	3151045	-	SERVICE PUMP
4	3151032G	1	GASKET
5	47603.01	2	CLAMP
6	46043.01	1	U BEND
7	5770116	1	CONE
8	3260072	1	½" BONDED SEAL
9	3360088	1	3/8" X ½" M-M
10	3260074	2	1" BONDED SEAL
11	3360092	1	1" M-M ADAPTOR
12	3700226	1	1 ½" BONDED SEAL
13	3761006	1	1 ½" MALE INSERT
14	2770244	2	M8 REPAIR WASHER
15	2770433	2	M8 SPRING WASHER
16	2770370	2	M8 X 16 SKT BUTTON
17	2770436	4	M12 FLAT WASHER
18	2770442	4	M12 SPRING WASHER
19	2770420	4	M12 X 30 BOLT
20	47591.02	2	M12 X 14 STUD
21	05.283.03	2	M12 SHAKE PROOF
22	05.287.03	2	M12 V LOCK NUT
23	5770084C	1	PTO (Pg 59)
24	8770305	1	RECOMMENDED PTO DECAL
25	8770419	1	GEARBOX OIL LEVEL DECAL

Spearhead TWIGA PRO

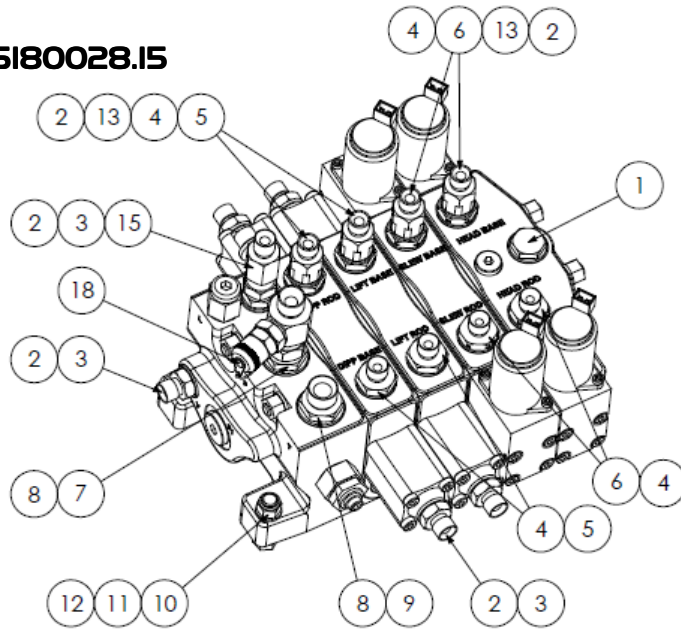
HP HYDRAULIC DRIVE – S180028.14



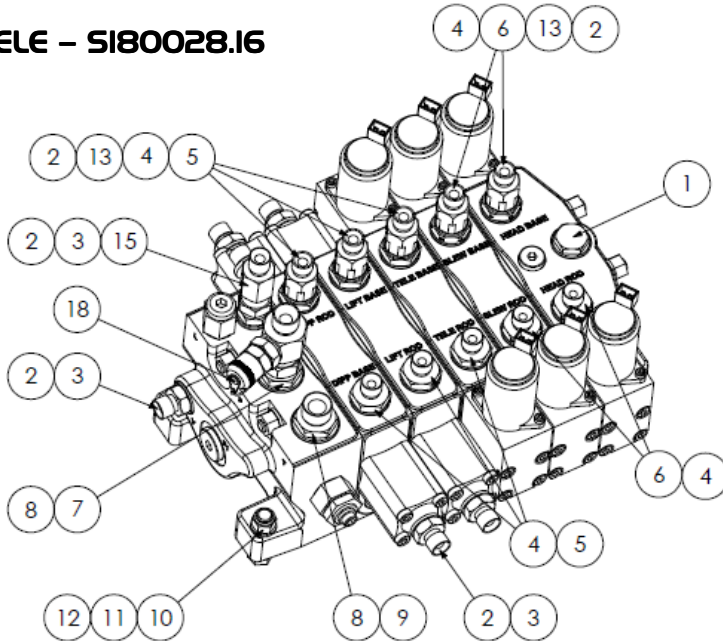
REF NO.	PART NO.	QTY.	DESCRIPTION
1	3151080	1	GEARBOX (Pg 58)
2	1778200	1	GEARBOX SUPPORT RING
3	3151090	1	TANDEM PUMP
4	3151032G	1	GASKET
5	5770116	1	CONE
6	3260072	1	½" BONDED SEAL
7	3360088	1	½" M-M
8	3151097	1	¾ PORT ELBOW
9	3260074	1	1 BONDED SEAL
10	3360091	1	1"-¾" M-M
11	3700226	1	1 ½" BONDED SEAL
12	3761006	1	1 ½" MALE INSERT
13	2770244	2	M8 REPAIR WASHER
14	2770433	2	M8 SPRING WASHER
15	2770370	2	M8 X 16 SKT BUTTON
16	2770396	4	M10 X 35 SKT CAP
17	2770469	4	M10 SPRING WASHER
18	2770436	4	M12 FLAT WASHER
19	2770442	4	M12 SPRING WASHER
20	2770420	4	M12 X 30 BOLT
21	2770455	2	M14 FLAT
22	2770457	2	M14 SPRING
23	2770453	2	M14 X 35 BOLT
24	47603.01	2	CLAMP
25	5770084C	1	PTO (Pg 59)
26	8770305	1	RECOMMENDED PTO DECAL
27	8770419	1	GEARBOX OIL LEVEL DECAL

Spearhead TWIGA PRO

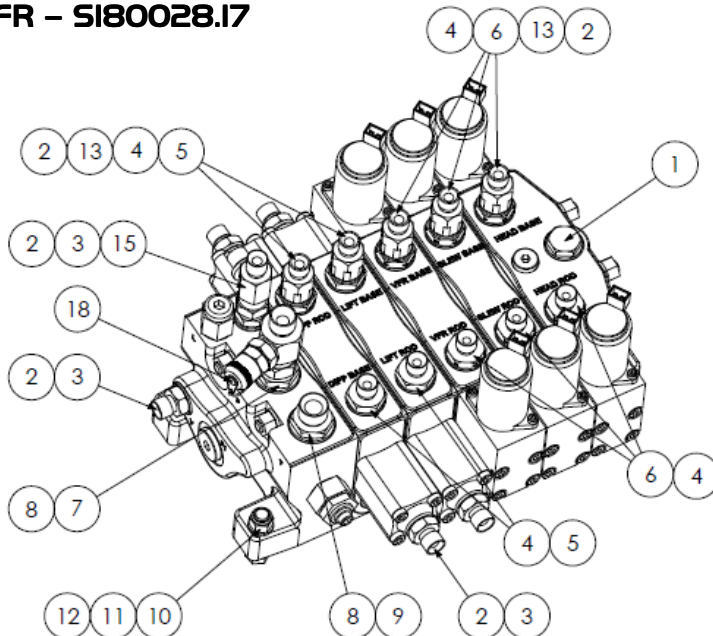
CONTROL VALVE: 4 BANK – S180028.I5



CONTROL VALVE: 5 BANK TELE – S180028.I6

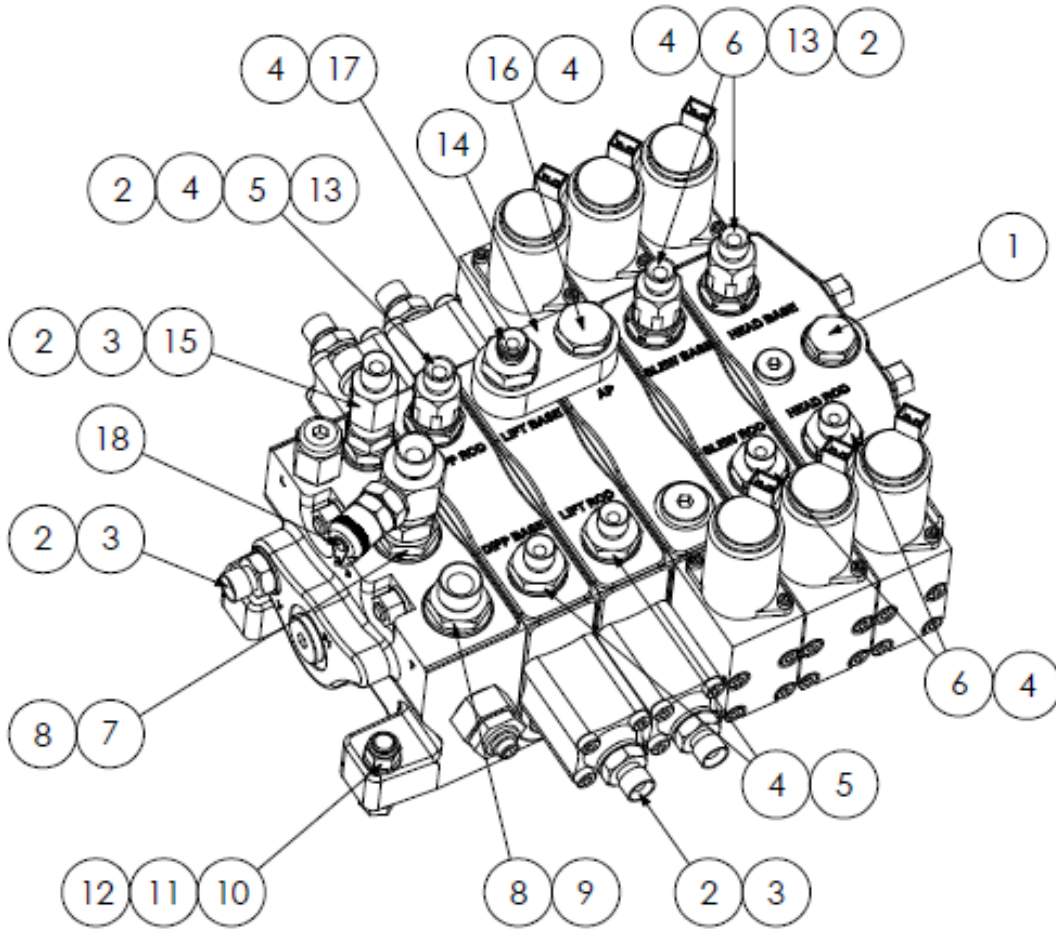


CONTROL VALVE: 5 BANK VFR – S180028.I7



Spearhead TWIGA PRO

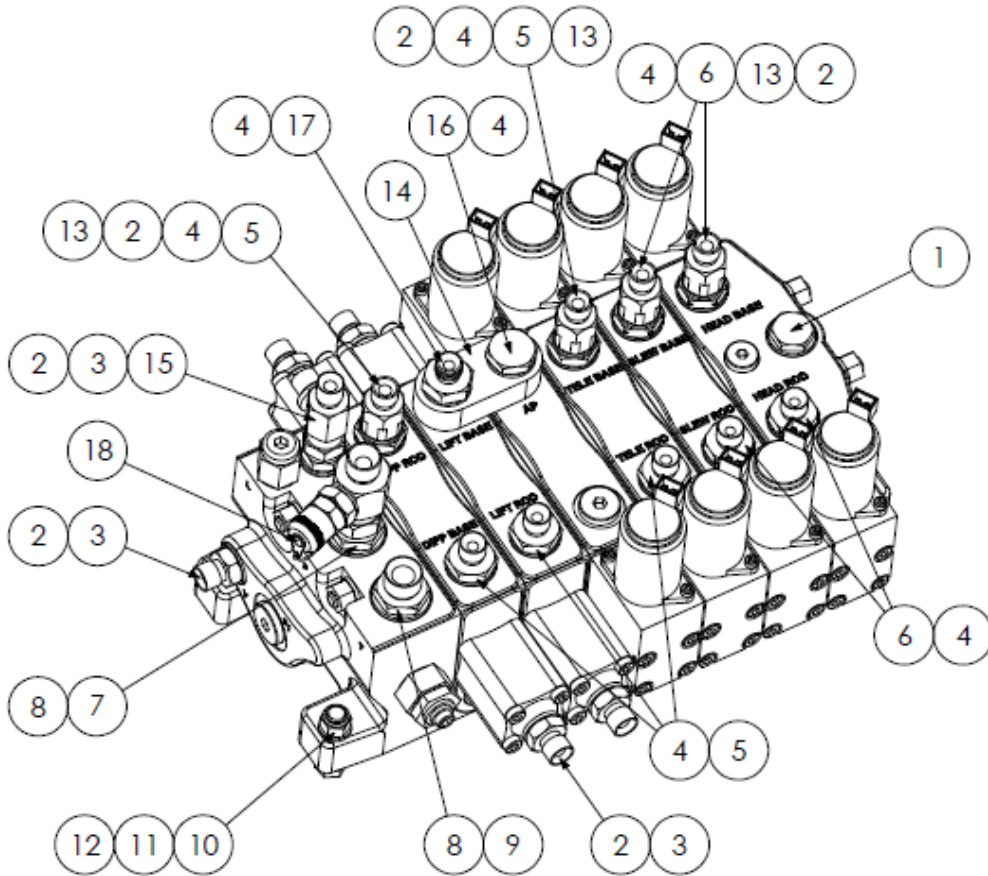
CONTROL VALVE: 5 BANK AUTOPILOT – 5180028.18



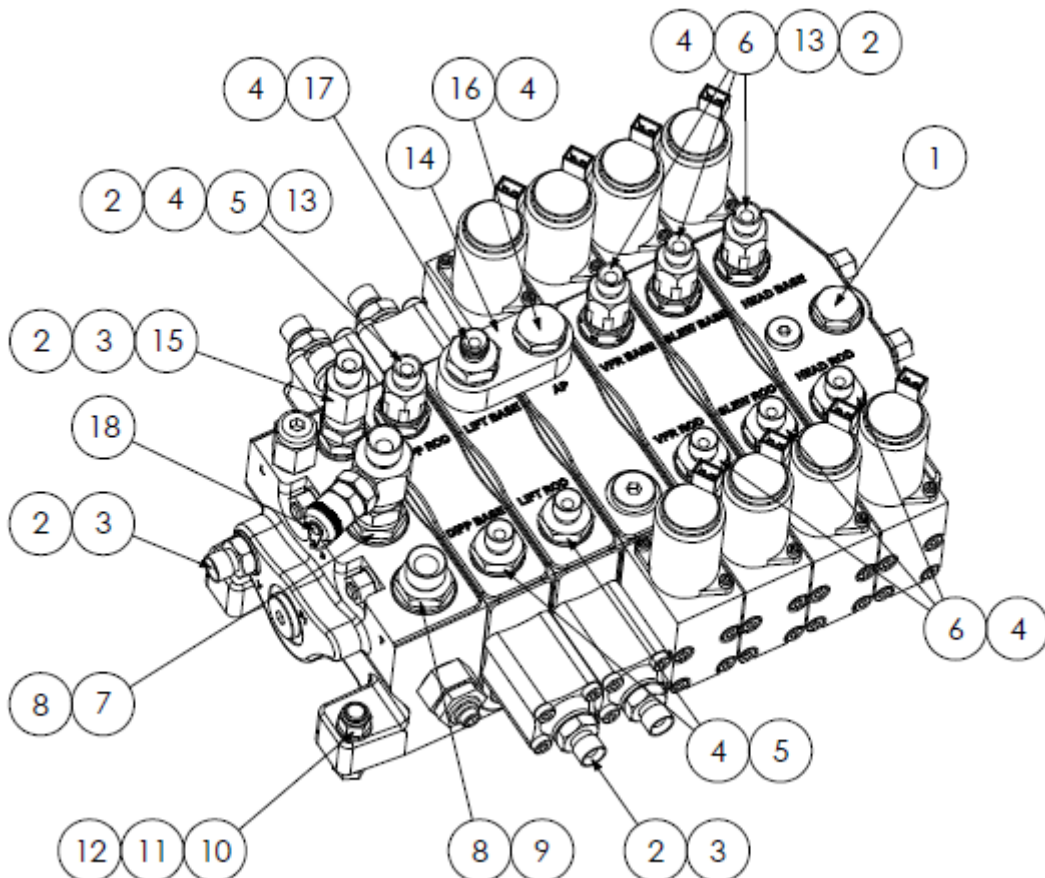
REF NO.	PART NO.	28.15	28.16	28.17	28.18	28.19	28.20	DESCRIPTION
1	3910325B	1	-	-	-	-	-	4 BANK VALVE ASSEMBLY
1	3910299B	-	1	1	-	-	-	5 BANK VALVE ASSEMBLY
1	3910326B	-	-	-	1	-	-	5 BANK VALVE ASSEMBLY
1	3910327B	-	-	-	-	1	1	6 BANK VALVE ASSEMBLY
2	3260070	10	11	6	9	10	10	1/4" BONDED SEAL
3	3360080	6	6	6	6	6	6	1/4" M-M
4	3260071	8	10	10	11	13	13	3/8" BONDED SEAL
5	3360083	4	6	4	3	5	3	1/4"-3/8" M-M
6	3360098	4	4	6	4	4	6	1/4"-3/8" M-M R1
7	3360088	1	1	1	1	1	1	3/8"-1/2" M-M
8	3260072	2	2	2	2	2	2	1/2" BONDED SEAL
9	3460301	1	1	1	1	1	1	1/2" M-M
10	05.291.03	4	4	4	4	4	4	M8 X 40 BOLT
11	2770432	4	4	4	4	4	4	M8 FLAT WASHER
12	2770416	4	4	4	4	4	4	M8 NYLOCK
13	3250148	4	5	5	3	4	4	1/4" M-FM FIXED
14	181620	-	-	-	1	1	1	AUTOPILOT LINK
15	3460300	1	1	1	1	1	1	1/4" TEE
16	3700248	-	-	-	1	1	1	3/8" BANJO BOLT
17	3700254	-	-	-	1	1	1	3/8" ADAPTOR
18	8131004	1	1	1	1	1	1	3/8" TEST POINT TEE

Spearhead TWIGA PRO

CONTROL VALVE: 6 BANK TELE + AUTOPILOT – S180028.19

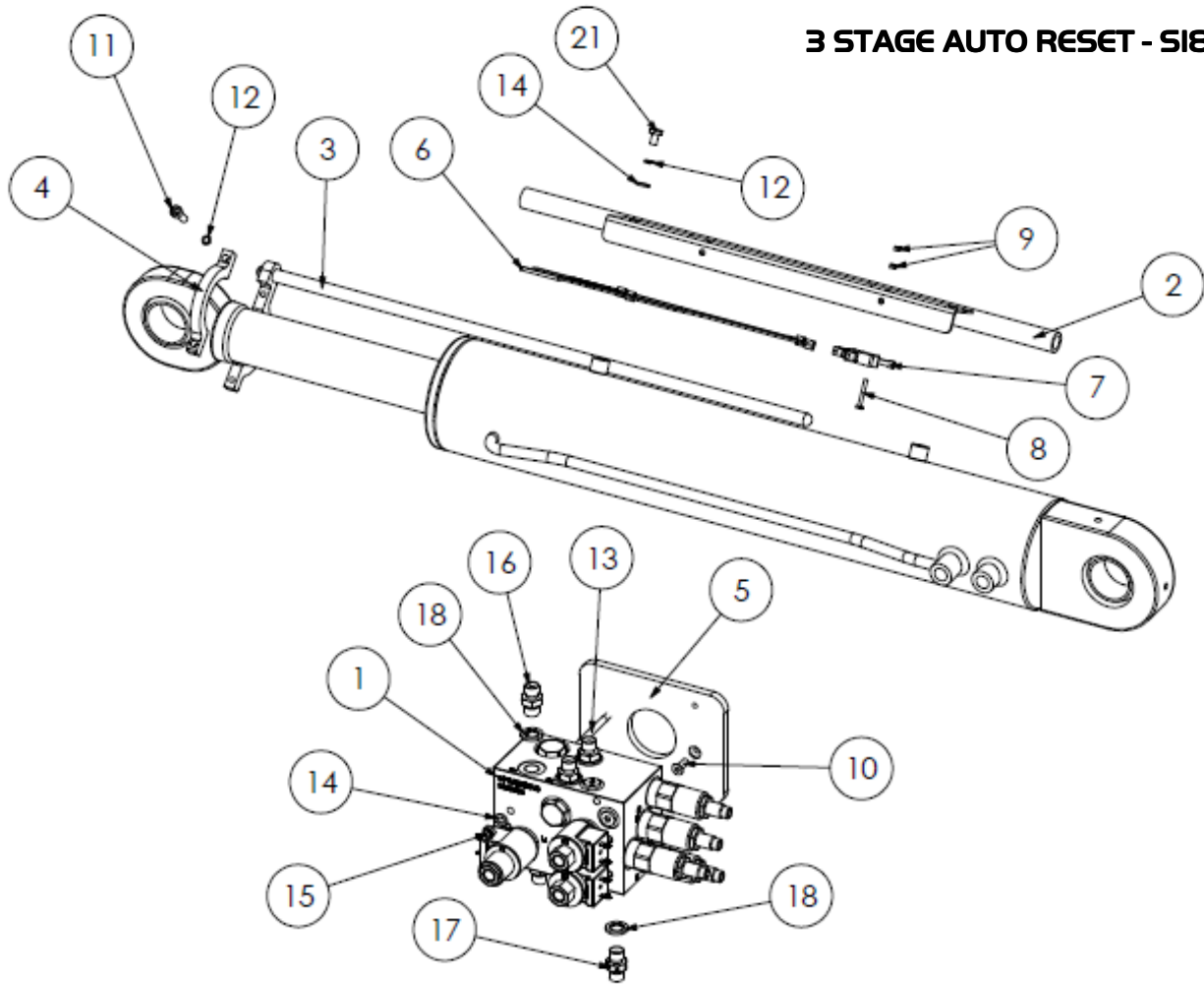


CONTROL VALVE: 6 BANK VFR + AUTOPILOT – S180028.20



Spearhead TWIGA PRO

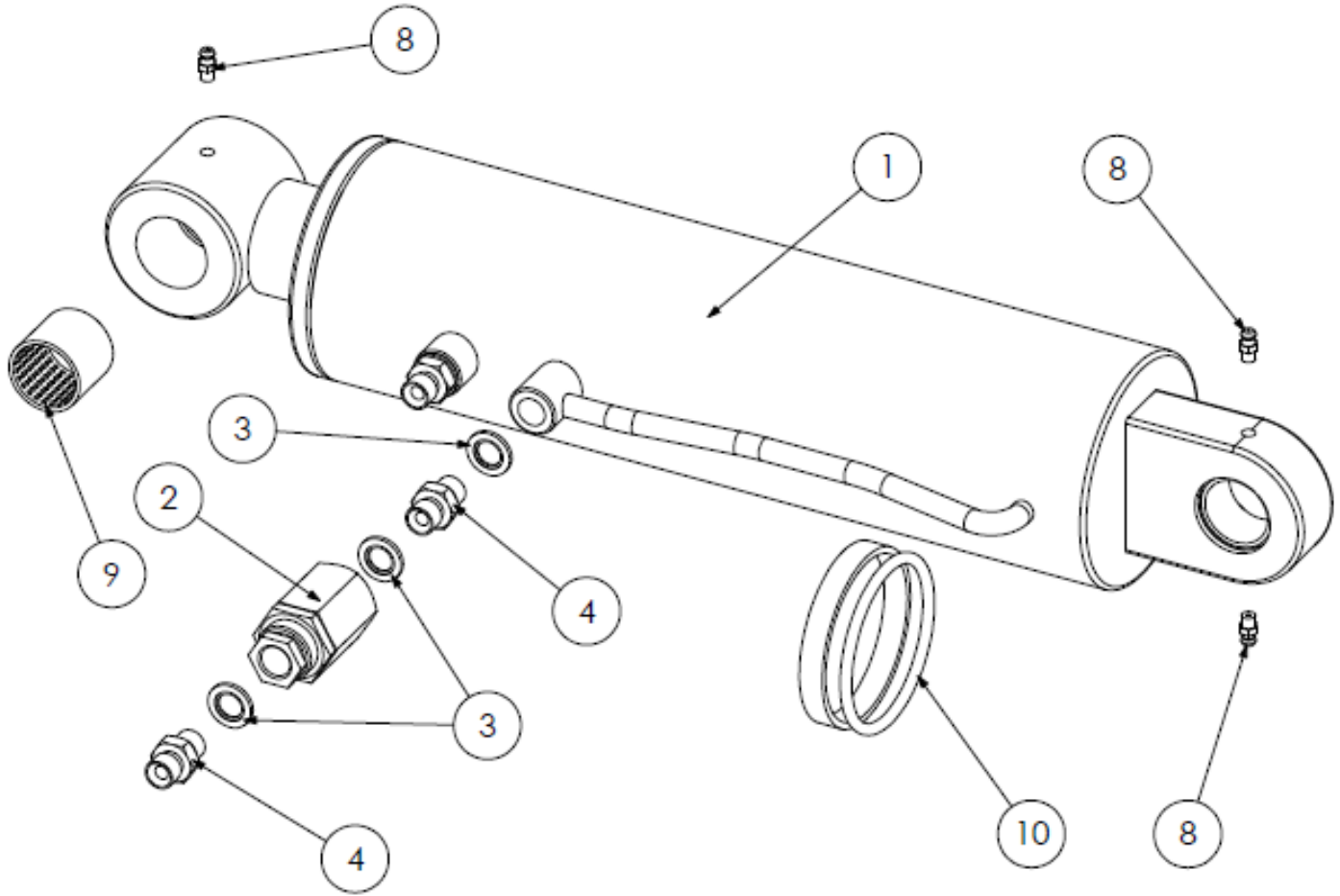
3 STAGE AUTO RESET - S180028.I12



REF NO.	PART NO.	QTY.	DESCRIPTION
1	3610109	1	VALVE
2	180102	1	DIPPER RAM SENSOR BRACKET
3	180103	1	DIPPER RAM SENSOR ROD
4	180104	1	DIPPER RAM SENSOR CLAMP
5	180194	1	VALVE MOUNT PLATE
6	8770774	1	LOOM
7	3910275	2	SWITCH
8	9300108	4	M3 X 20 SCREW
9	2770233	8	M3 NUT
10	05.345.14	2	M6 X 16 SKT CSK SCREW
11	2770371	2	M6 X 20 SKT CAP BOLT
12	05.282.07	4	M6 SPRING WASHER
13	04.282.78	2	M6 X 95 STUD
14	2771408	4	M6 FLAT WASHER
15	2770373	2	M6 NYLOCK
16	3360080	6	1/4" M-M ADAPTOR
17	3360097	1	1/4" M-M ADAPTOR - R1.0 mm
18	3260070	7	1/4" BONDED SEAL
20	30.058.66	8	CABLE TIE - SM
21	2770385	2	M6 X 10 BOLT

Spearhead TWIGA PRO

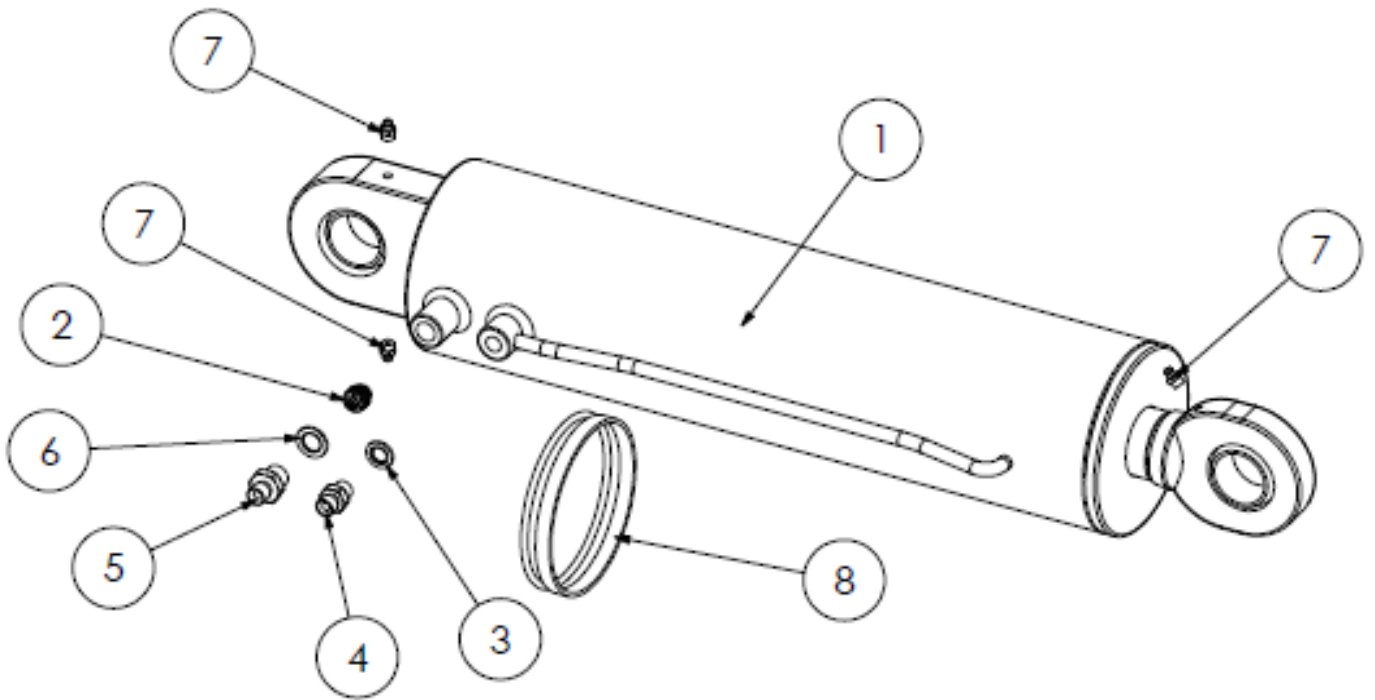
SLEW RAM – S180028.23



REF NO.	PART NO.	QTY.	DESCRIPTION
1	3580702	1	SLEW RAM
2	3900010	1	VARIABLE RESTRICTOR
3	3260070	4	1/4" BONDED SEAL
4	3360080	2	1/4" M-M ADAPTOR
8	2770467	3	M6 ST GREASE NIPPLE
9	42654.01	2	BUSH
10	3580690.01	1	SEAL KIT

Spearhead TWIGA PRO

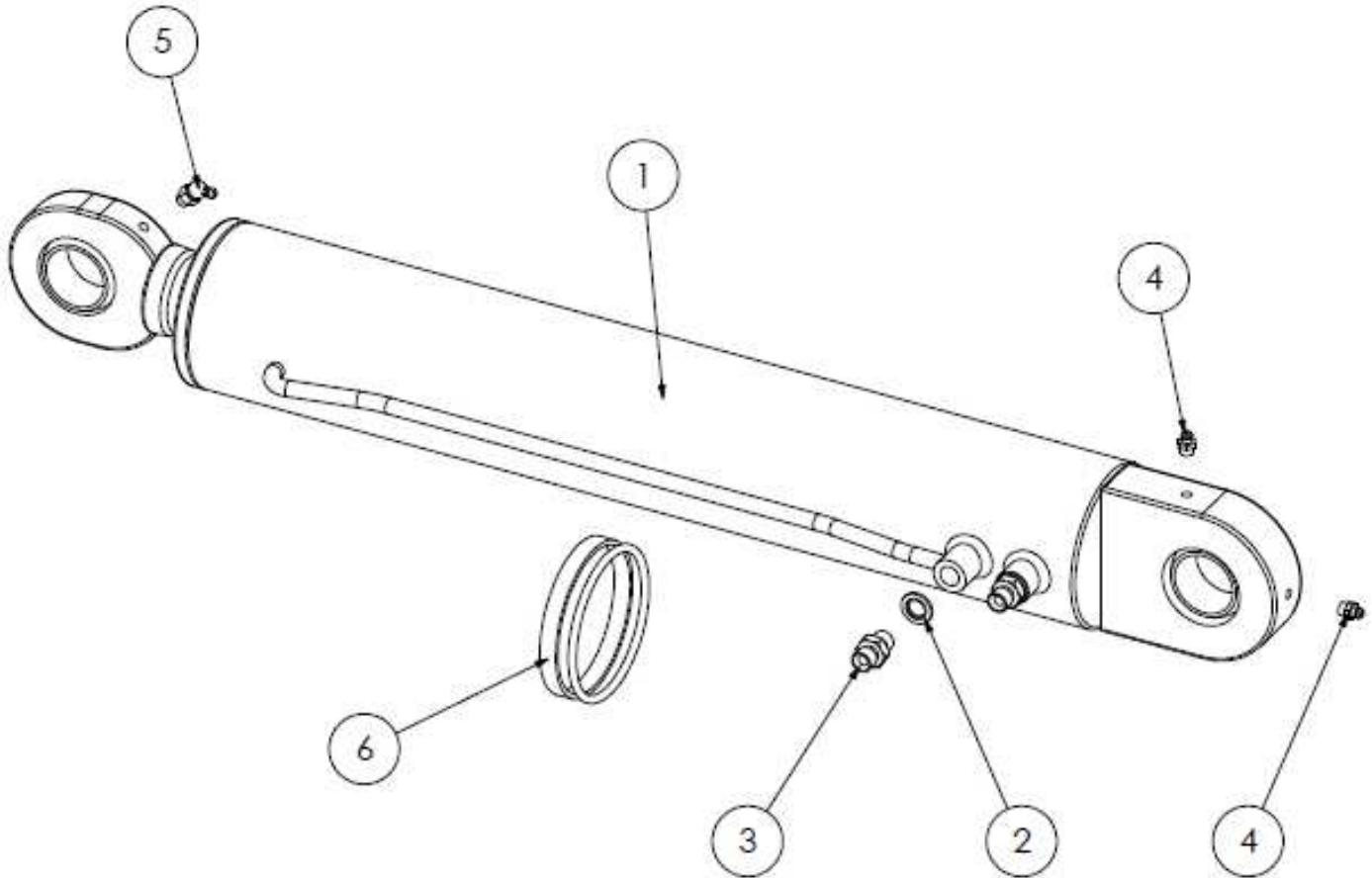
LIFT RAM – S180028.24



REF NO.	PART NO.	QTY.	DESCRIPTION
1	3580677	1	LIFT RAM
2	3600118	1	HOSE BURST
3	3260070	1	1/4" BONDED SEAL
4	3360080	1	1/4" M-M ADAPTOR
5	3360083	1	3/8" M - 1/4" M ADAPTOR
6	3260071	1	3/8" BONDED SEAL
7	01.070.04	3	1/8 ST GREASE NIPPLE
8	3580677.01	1	SEAL KIT

Spearhead TWIGA PRO

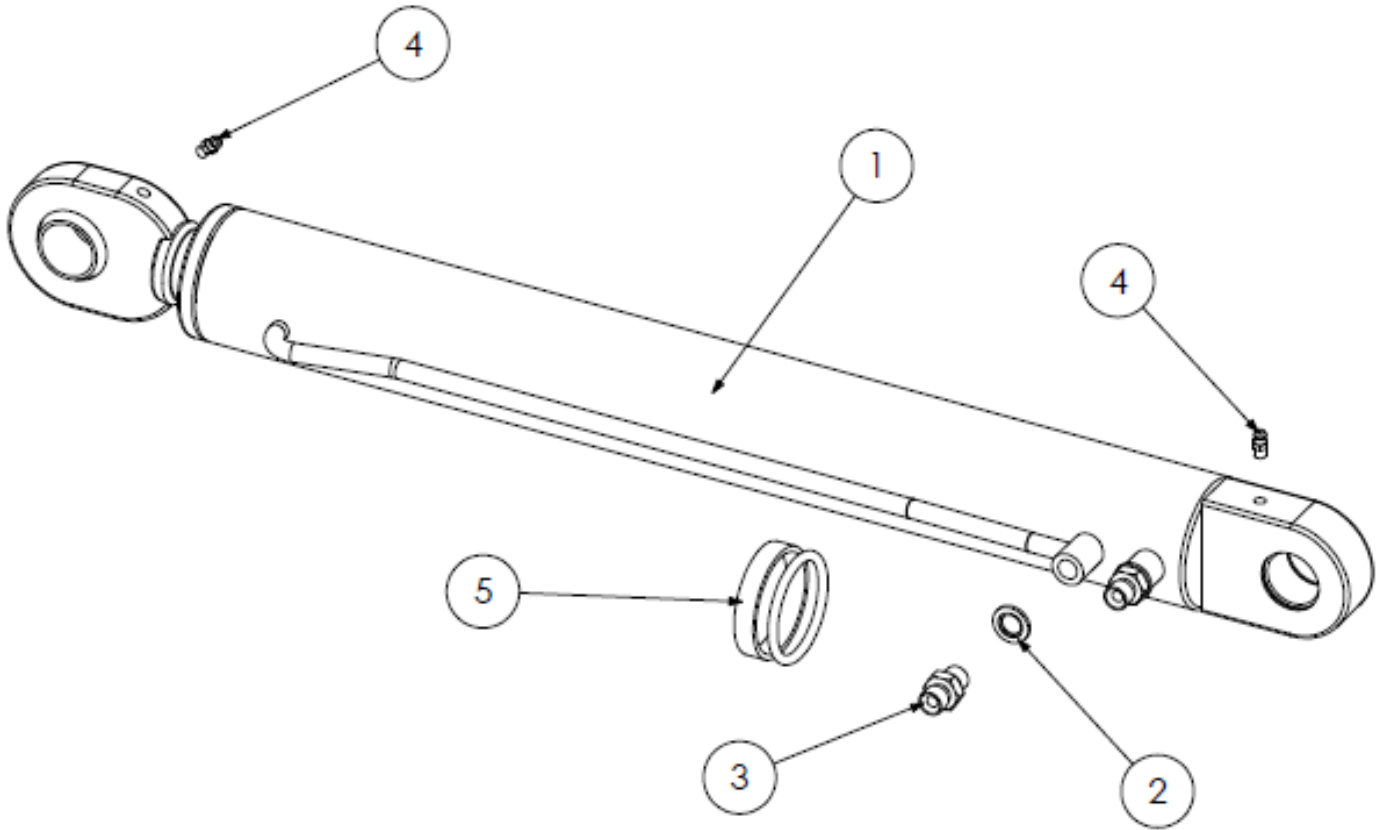
DIPPER RAM - S180028.25



REF NO.	PART NO.	QTY.	DESCRIPTION
1	3580683	1	DIPPER RAM
2	3260070	2	1/4" BONDED SEAL
3	3360080	2	1/4" M-M ADAPTOR
4	01.070.04	2	1/8 ST GREASE NIPPLE
5	2770462	1	1/8 45° GREASE NIPPLE
6	3580683.01	1	SEAL KIT

Spearhead TWIGA PRO

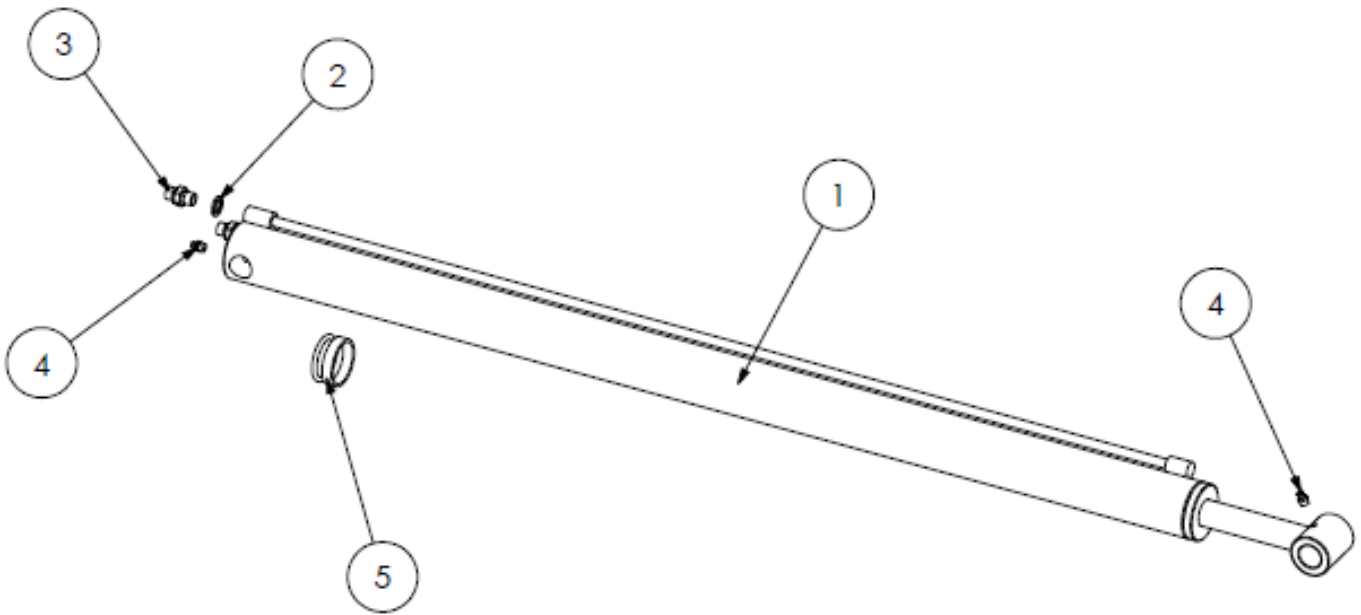
HEAD RAM – S180028.26



REF NO.	PART NO.	QTY.	DESCRIPTION
1	3580704	1	HEAD RAM
2	3260070	2	1/4" BONDED SEAL
3	3360080	2	1/4" M-M ADAPTOR
4	2770467	2	M6 ST GREASE NIPPLE
5	3580674.01	1	SEAL KIT

Spearhead TWIGA PRO

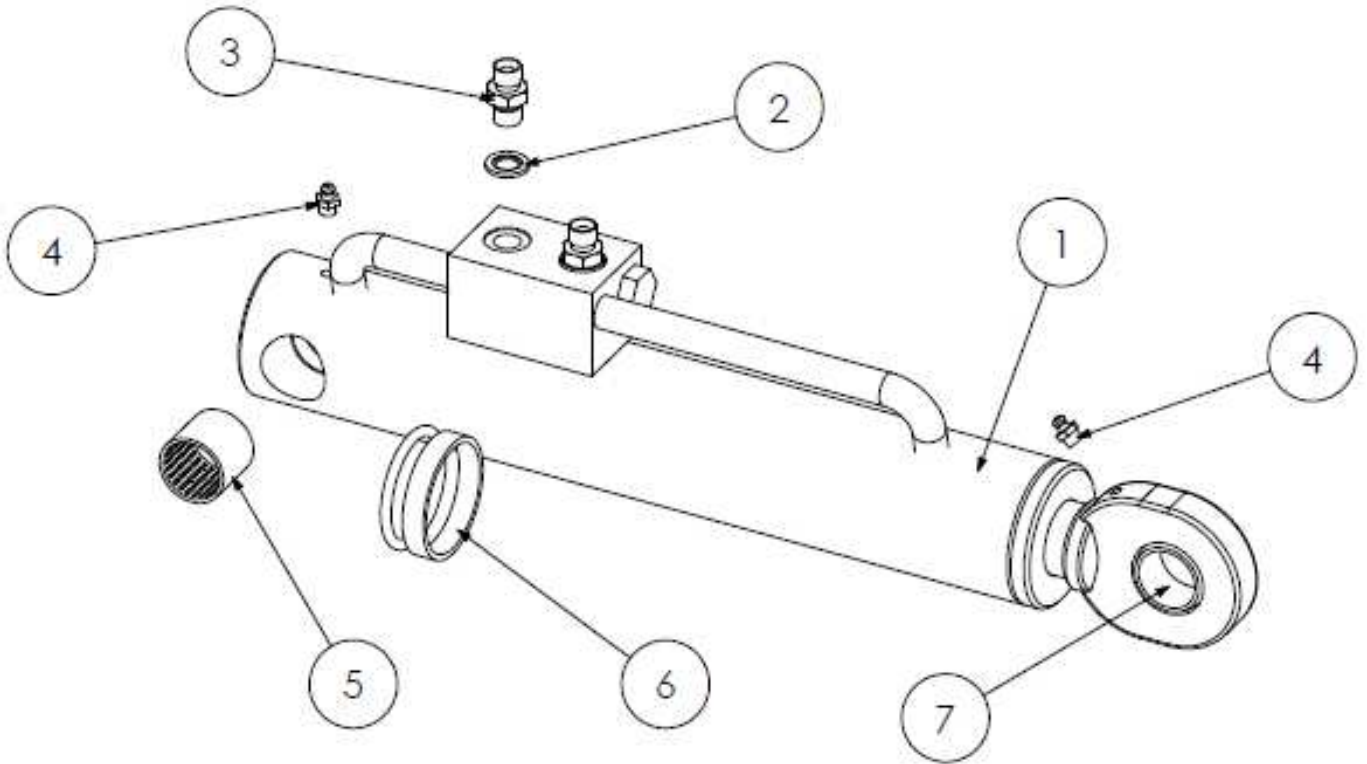
650T TELE RAM – S180028.27
 700T TELE RAM – S180028.28
 800T TELE RAM - S180028.29



REF NO.	PART NO.	QTY.	DESCRIPTION
1	3580653A	1	650T RAM
1	3580654A	1	700T RAM
1	3580684	1	800T RAM
2	3260070	2	1/4" BONDED SEAL
3	3360080	2	1/4" M-M ADAPTOR
4	01.070.04	2	1/8 ST GREASE NIPPLE
5	3570665HP	1	650T/700T SEAL KIT
5	3580684.02	1	800T SEAL KIT

Spearhead TWIGA PRO

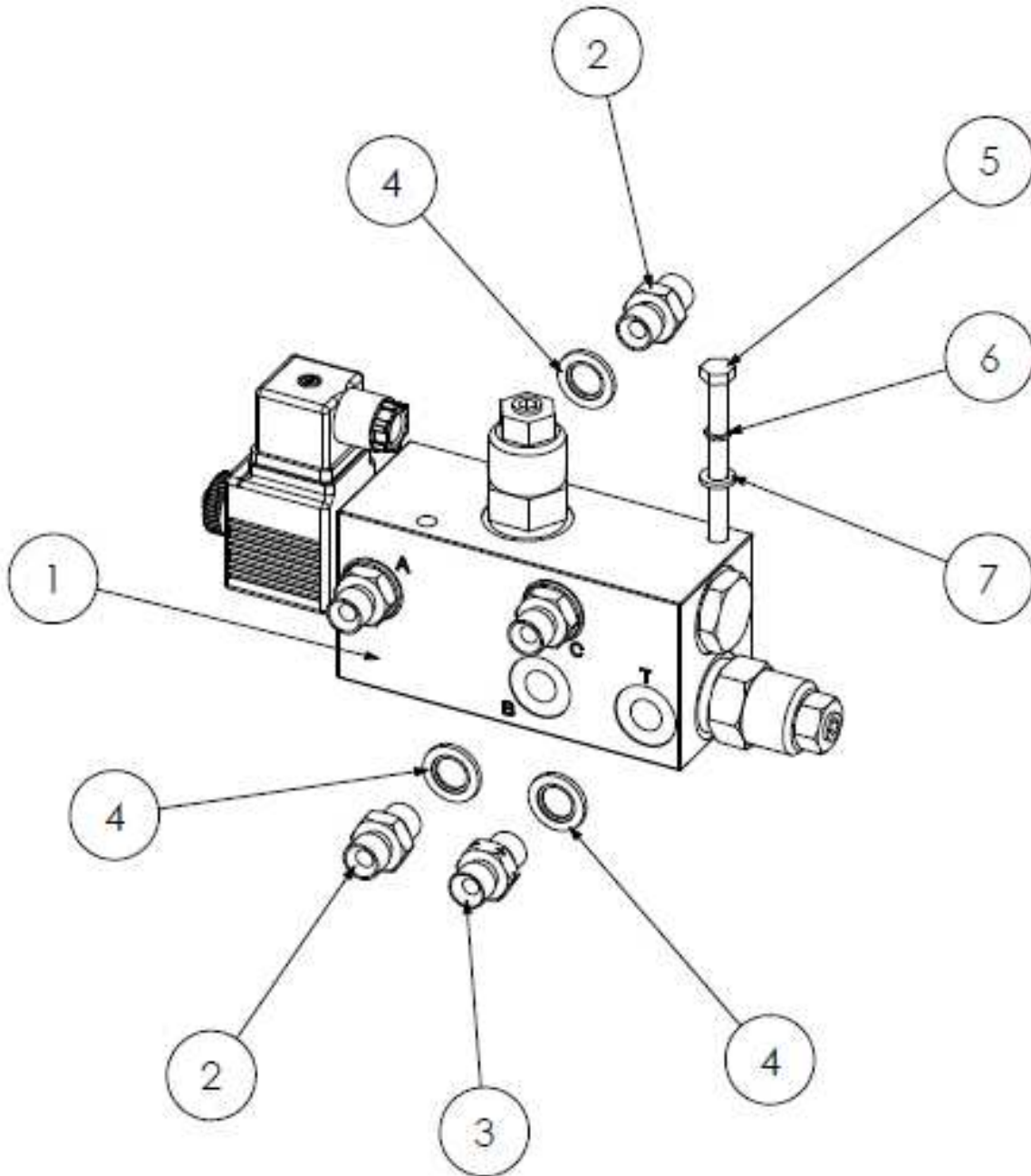
VFR RAM – S180028.30



REF NO.	PART NO.	QTY.	DESCRIPTION
1	3580695	1	RAM
2	3260070	2	1/4" BONDED SEAL
3	3360080	2	1/4" M-M
4	01.070.04	2	1/8 ST GREASE NIPPLE
5	42654.01	2	BUSH
6	3580695.01	1	SEAL KIT

Spearhead TWIGA PRO

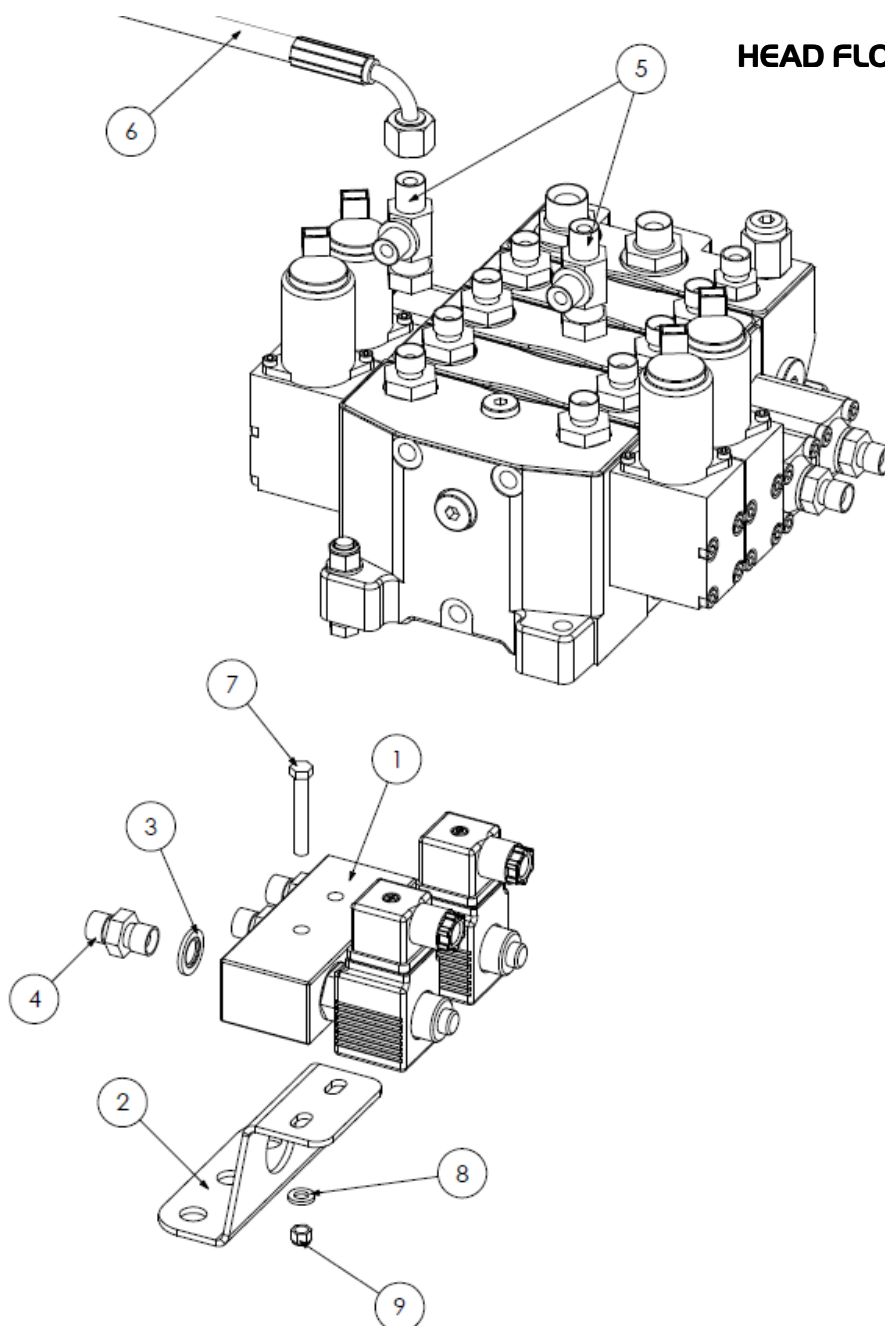
AUTO RESET VALVE ASSEMBLY – S180028.4I



REF NO.	PART NO.	QTY.	DESCRIPTION
1	3610057	1	VALVE ASSEMBLY (Pg 82)
2	3360080	6	¼" M-M
3	3360097	1	¼" M-M R1
4	3260070	7	¼" BONDED SEAL
5	2772313	2	M6 X 75 BOLT
6	05.282.07	2	M6 SPRING WASHER
7	2771408	2	M6 FLAT WASHER

Spearhead TWIGA PRO

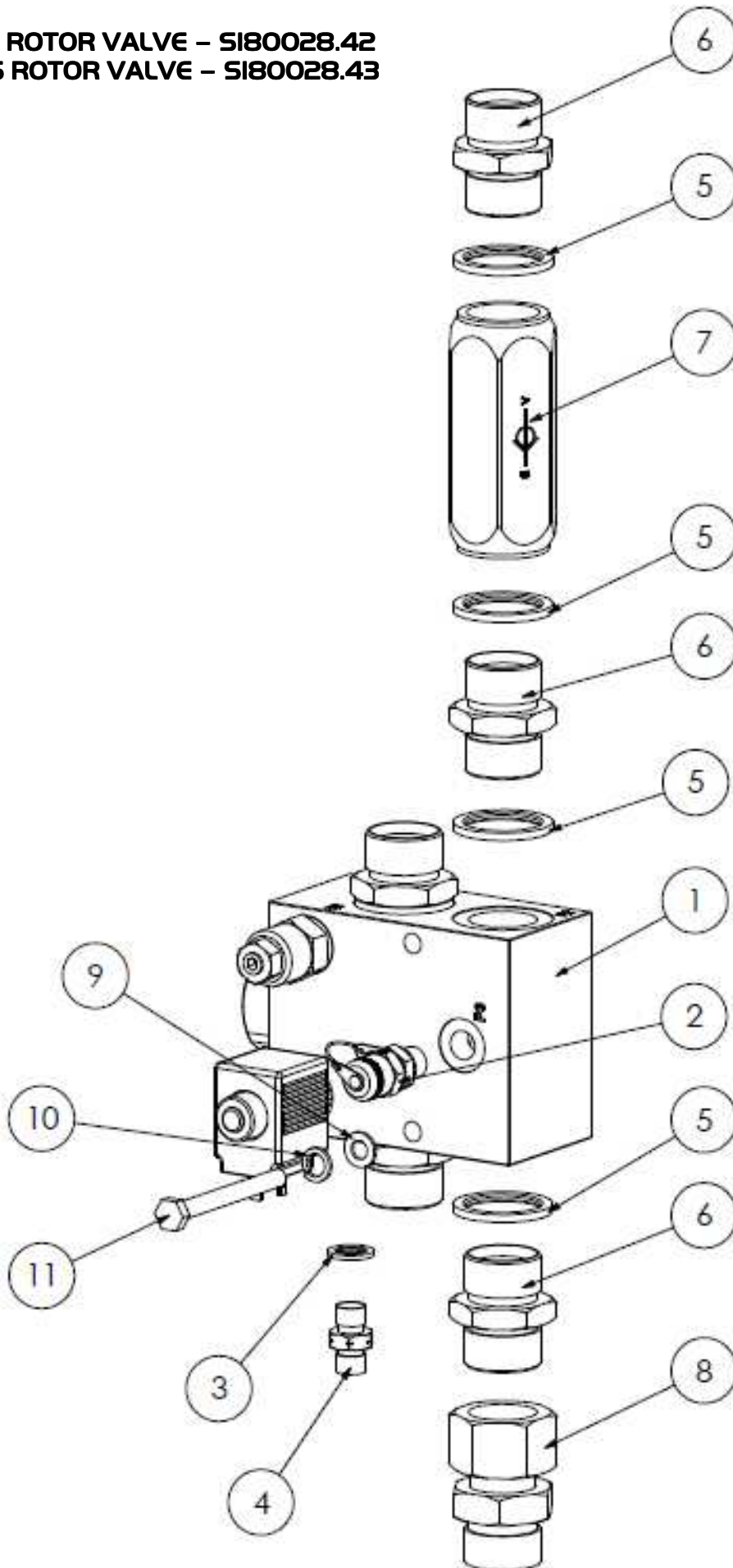
HEAD FLOAT - S180028.83



REF NO.	PART NO.	QTY.	DESCRIPTION
1	3600132	1	VALVE (Pg 84)
2	1800286	1	VALVE BRACKET
3	3260070	3	1/4 BONDED SEAL
4	3360080	3	1/4 M-M ADAPTOR
5	3460300	2	1/4 FM-M-M TEE
6	3760115	1	1/4 HOSE - 600mm LONG
7	30.068.88	2	M6 X 45 BOLT
8	2771408	2	M6 FLAT WASHER
9	2770373	2	M6 NYLOCK NUT
10	8400035	1	OFF/ON/ON SWITCH
11	8400163G	1	GREEN SWITCH WINDOW
12	3760110	1	1/4 HOSE - 650mm LONG
13	3760129	1	1/4 HOSE - 800mm LONG

Spearhead TWIGA PRO

LP HYDRAULICS ROTOR VALVE - S180028.42
HP HYDRAULICS ROTOR VALVE - S180028.43



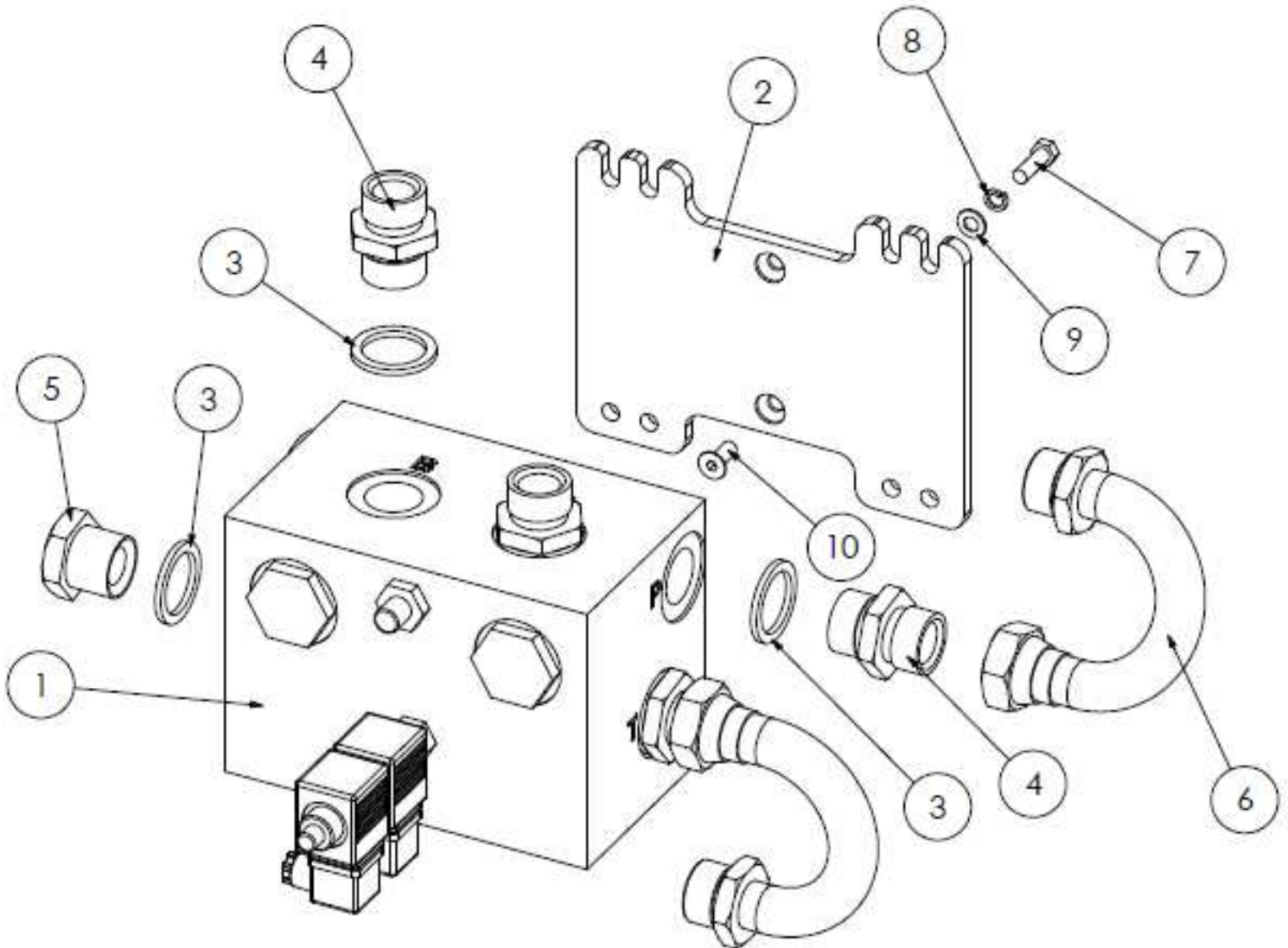
Spearhead TWIGA PRO

LP HYDRAULICS ROTOR VALVE – S180028.42
HP HYDRAULICS ROTOR VALVE – S180028.43

REF NO.	PART NO.	QTY.	DESCRIPTION
1	3600099A	1	LP VALVE ASSEMBLY (Pg 86)
1	3600099B	1	HP VALVE ASSEMBLY (Pg 86)
2	3360110	1	¼" TEST PORT
3	3260070	1	¼" BONDED SEAL
4	3360100	1	¼" M-M ADAPTOR R1.5 mm
5	3360092	6	1" BONDED SEAL
6	3260074	5	1" M-M ADAPTOR
7	3600089	1	CHECK VALVE
8	3360093	1	1" M-FM ADAPTOR
9	2770432	2	M8 FLAT WASHER
10	2770433	2	M8 SPRING WASHER
11	2772289	2	M8 X 80 BOLT

Spearhead TWIGA PRO

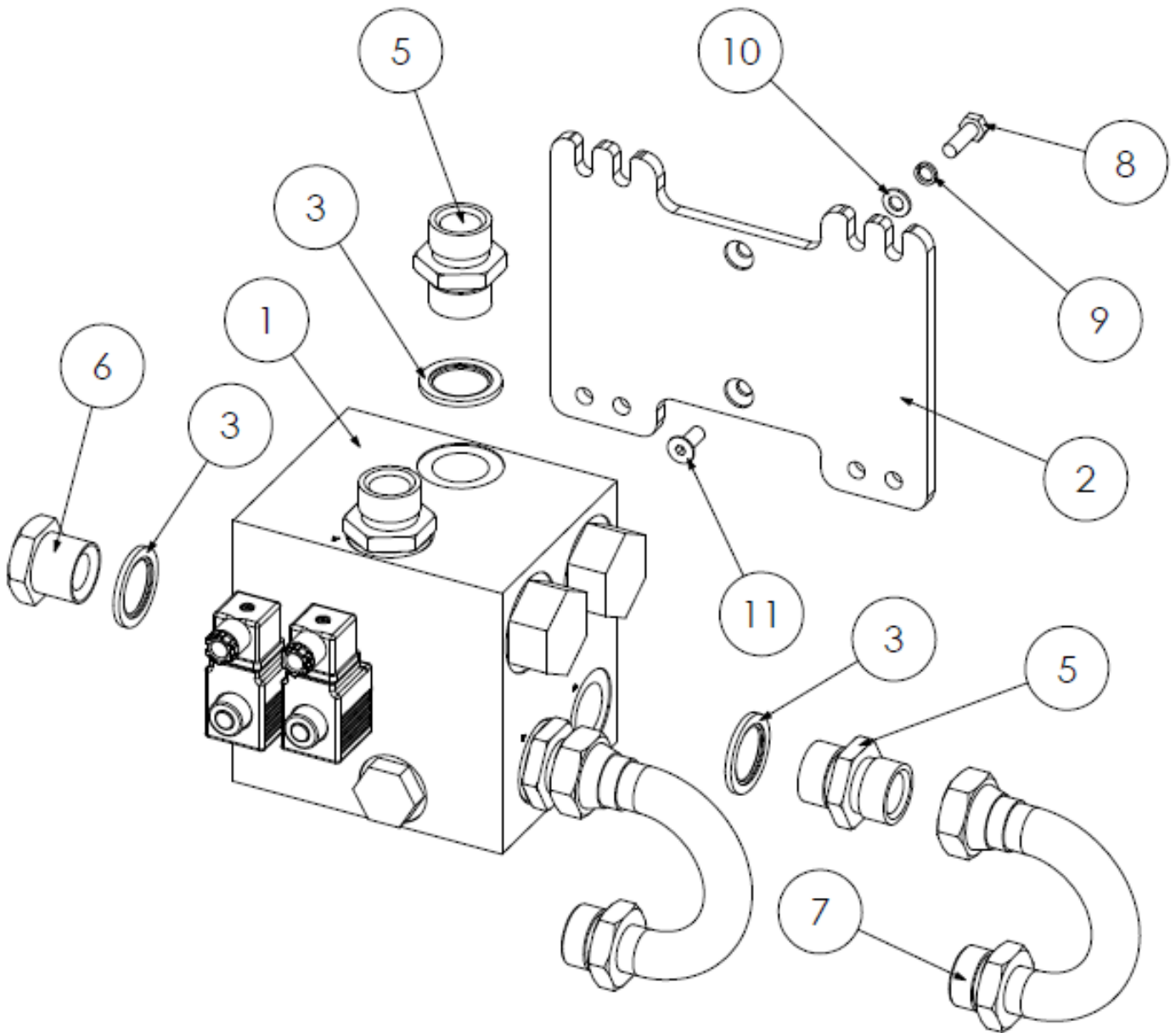
LP HYDRAULICS REVERSE ROTOR VALVE – 5180028.44



REF NO.	PART NO.	QTY.	DESCRIPTION
1	42768.01	1	VALVE ASSEMBLY (Pg 88)
2	180727	1	MOUNT PLATE
3	3260074	6	1" BONDED SEAL
4	3360092	4	1" M-M ADAPTOR
5	05.433.03	2	1" BLANKING PLUG
6	46043.01	2	1" 180° U BEND
7	2770415	4	M8 X 25 BOLT
8	2770433	4	M8 SPRING WASHER
9	2770432	4	M8 FLAT WASHER
10	2770435	2	M8 X 20 SKT CSK SCREW

Spearhead TWIGA PRO

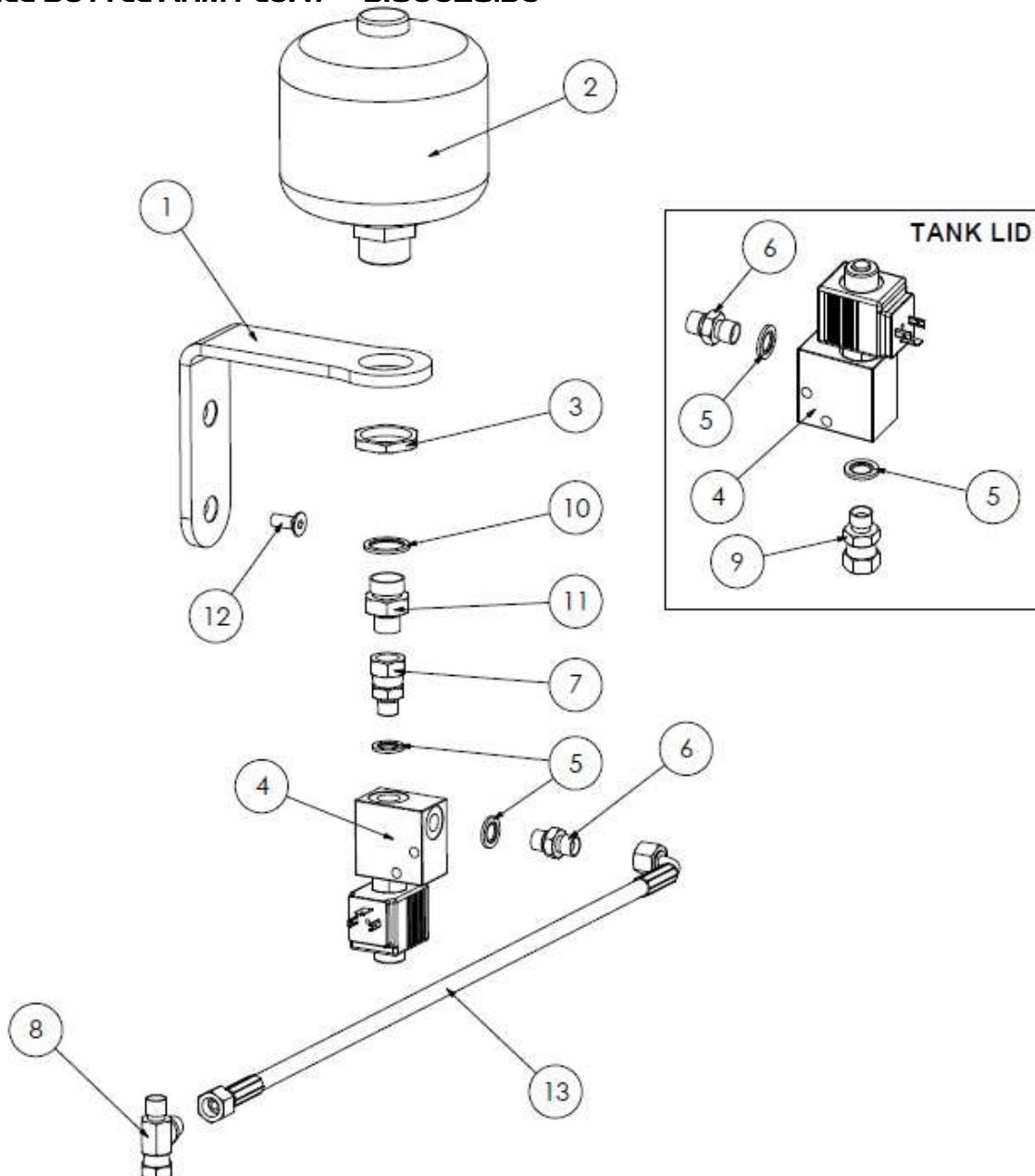
HP HYDRAULICS REVERSE ROTOR VALVE – 5180028.80



REF NO.	PART NO.	QTY.	DESCRIPTION
1	42768.08	1	VALVE ASSEMBLY (Pg 89)
2	180727	1	MOUNT PLATE
3	3260074	6	1" BONDED SEAL
5	3360092	4	1" M-M ADAPTOR
6	05.433.03	2	1" BLANKING PLUG
7	46043.01	2	1" 180° U BEND
8	2770415	4	M8 X 25 BOLT
9	2770433	4	M8 SPRING WASHER
10	2770432	4	M8 FLAT WASHER
11	2770435	2	M8 X 20 SKT CSK SCREW

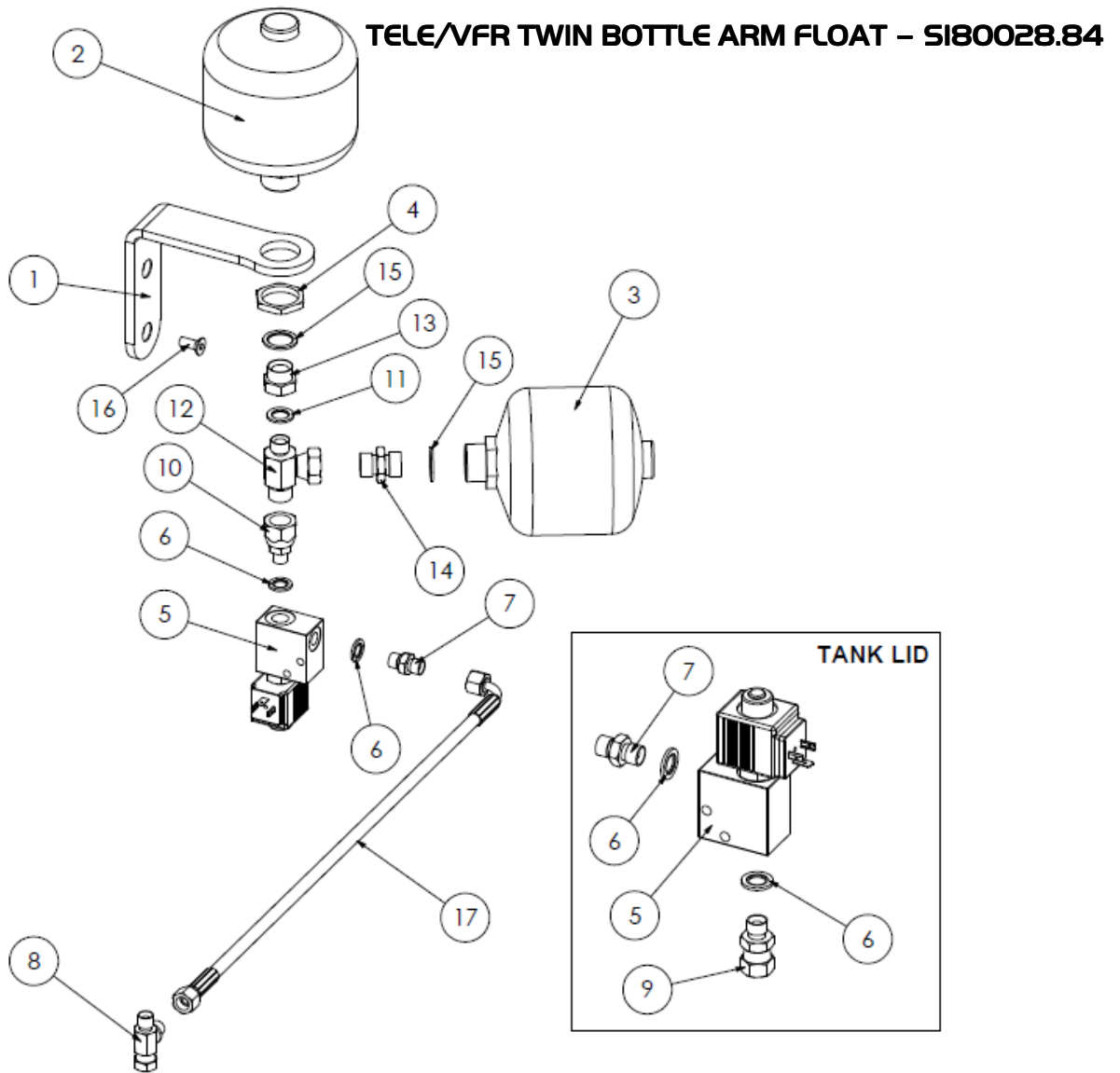
Spearhead TWIGA PRO

560 SINGLE BOTTLE ARM FLOAT - S180028.50



REF NO.	PART NO.	QTY.	DESCRIPTION
1	180917	1	BRACKET
2	3900071	1	ACCUMULATOR BOTTLE - 32 Bar
3	8126035	1	M33 NUT
4	3610053	2	ELECTRONIC VALVE (Pg 85)
5	3260070	4	1/4" BONDED SEAL
6	3360080	2	1/4" M-M
7	3360079	1	1/4"-3/8" M-FM SW
8	3460300	2	1/4" FM/M/M TEE
9	3360081	1	1/4" M-FM SW
10	8650322	1	M22 BONDED SEAL
11	G2410380	1	3/8"-M22 M-M
12	2770435	2	M8 X 20 CSK SCREW
13	3760115	2	HOSE

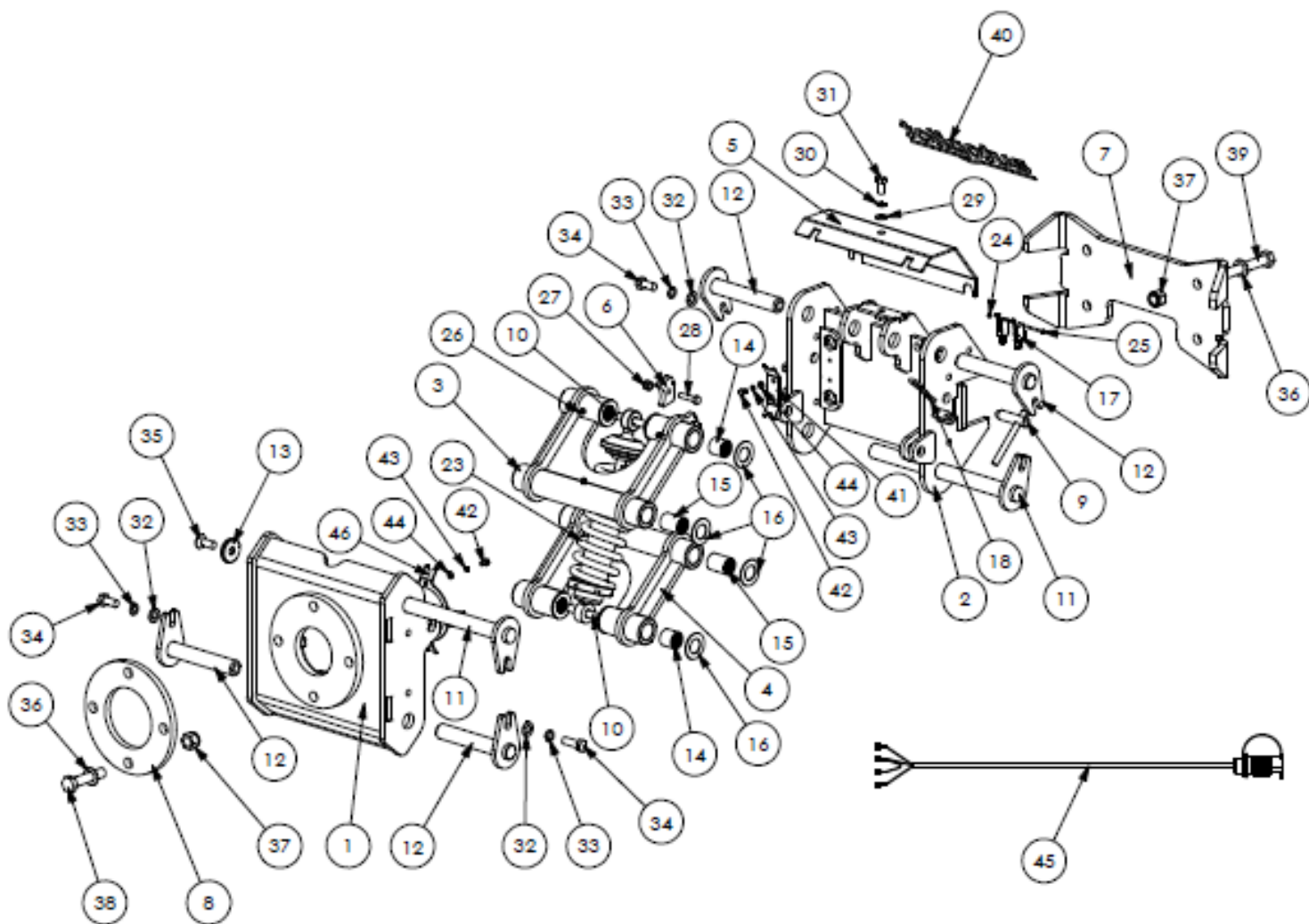
Spearhead TWIGA PRO



REF NO.	PART NO.	QTY.	DESCRIPTION
1	180917	1	BRACKET
2	3900071	1	ACCUMULATOR - 32 Bar
3	3900074	1	ACCUMULATOR - 80 Bar
4	8126035	1	M33 NUT
5	3610053	2	ELECTRONIC VALVE (Pg 85)
6	3260070	4	1/4" BONDED SEAL
7	3360080	2	1/4" M-M
8	3460300	2	1/4" FM/M/M TEE
9	3360081	1	1/4" M-FM SW
10	3490003	1	1/4" M - 1/2" FM SW
11	3260071	1	3/8" BONDED SEAL
12	04.056.50	1	3/8" M - 1/2" M - 1/2" FM SW
13	8581284	1	3/8" FM - M22 M
14	3460120	1	1/2"-M22 M-M
15	8650322	2	M22 BONDED SEAL
16	2770435	2	M8 X 20 CSK SCREW
17	3760115	2	HOSE

Spearhead TWIGA PRO

AUTOPILOT – S180028.52



REF NO.	PART NO.	QTY.	DESCRIPTION
1	1777816A	1	BACK PLATE
2	1777817A	1	FRONT PLATE
3	1777818A	1	FLOAT LINK + CAM
4	1777818B	1	FLOAT LINK
5	1777748A	1	CAM GUARD
6	1777848A	1	CAM
7	1777325B	1	CLAMP PLATE
8	180896	1	SPACER PLATE
9	1777749	2	LOCKING PIN
10	1777822	2	PIN
11	1777941	2	PEAR PIN: 25.4 X 310 mm
12	1777942	4	PEAR PIN: 25.4 X 145 mm

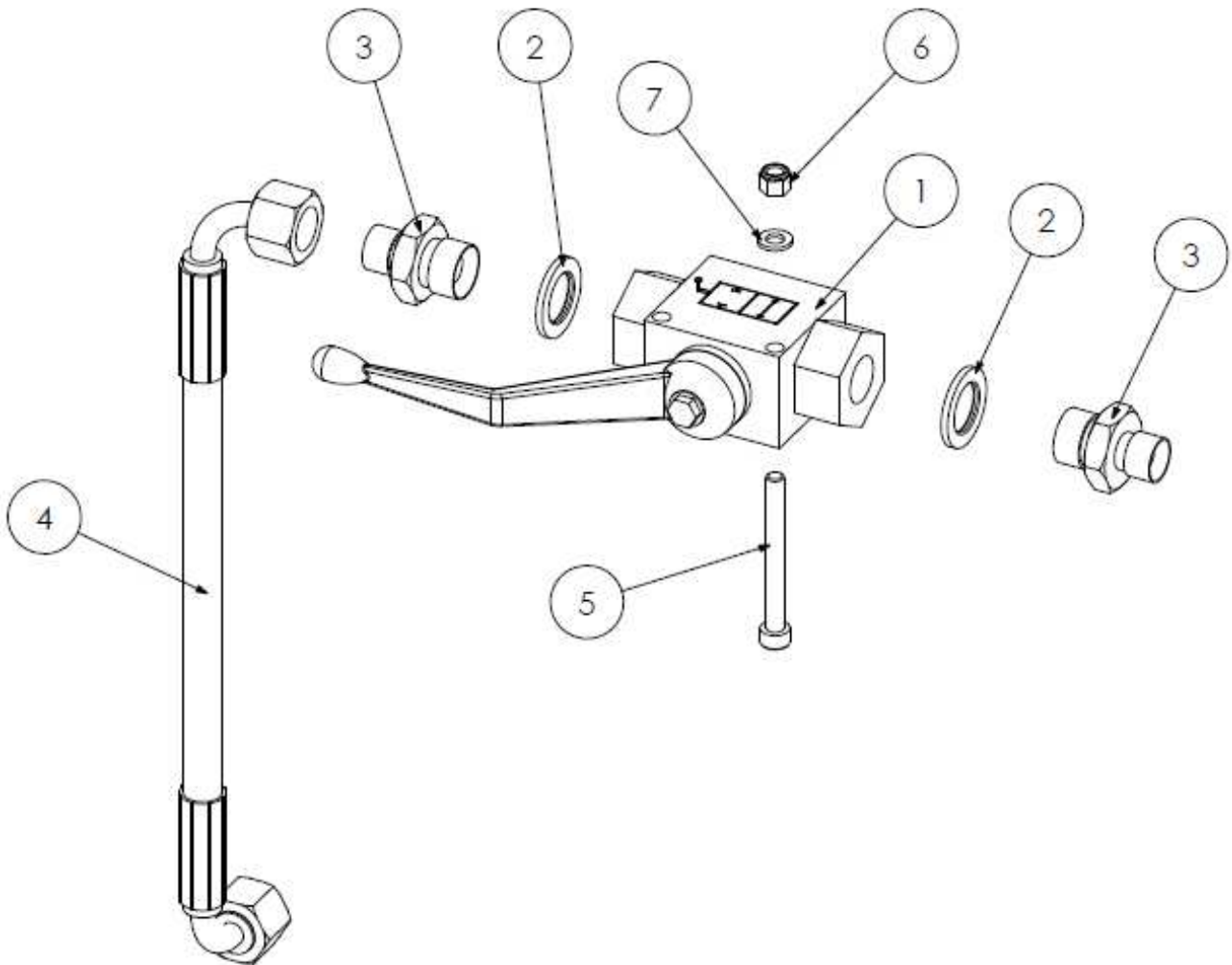
Spearhead TWIGA PRO

AUTOPILOT – S180028.52

REF NO.	PART NO.	QTY.	DESCRIPTION
13	1777209	2	RETAINING WASHER - 40mm
14	4600417	8	BUSH - SHORT
15	4600418	4	BUSH - LONG
16	4600419	8	THRUST WASHER
17	3910275	2	SWITCH
18	6310194	2	R CLIP
19	8770600	1	SHOCK ABSORBER (Pg 87)
23	8770601	1	SPRING
24	2770236	2	M3 NYLOCK
25	2770237	2	M3 X 35 BOLT
26	2770467	6	M6 ST GREASE NIPPLE
27	2770416	1	M8 NYLOCK
28	2770488	1	M8 X 35 BOLT
29	2770434	1	M10 FLAT WASHER
30	2770469	1	M10 SPRING WASHER
31	2770407	1	M10 X 25 BOLT
32	2770436	6	M12 FLAT WASHER
33	2770442	6	M12 SPRING WASHER
34	2770484	6	M12 X 25 BOLT
35	2770506	2	M12 X 30 SKT CSK SCREW
36	2770454	8	M16 FLAT WASHER
37	2770447	8	M16 NYLOCK
38	05.291.39	4	M16 X 70 BOLT
39	2770346	4	M16 X 140 BOLT
40	8770696	1	DECAL
41	180223	2	NUT RETAINING PLATE
42	2770385	8	M6 X 10 BOLT
43	2771408	8	M6 FLAT WASHER
44	05.282.07	8	M6 SPRING WASHER
45	8770782	1	LOOM
46	181378	1	NUT RETAINING RING

Spearhead TWIGA PRO

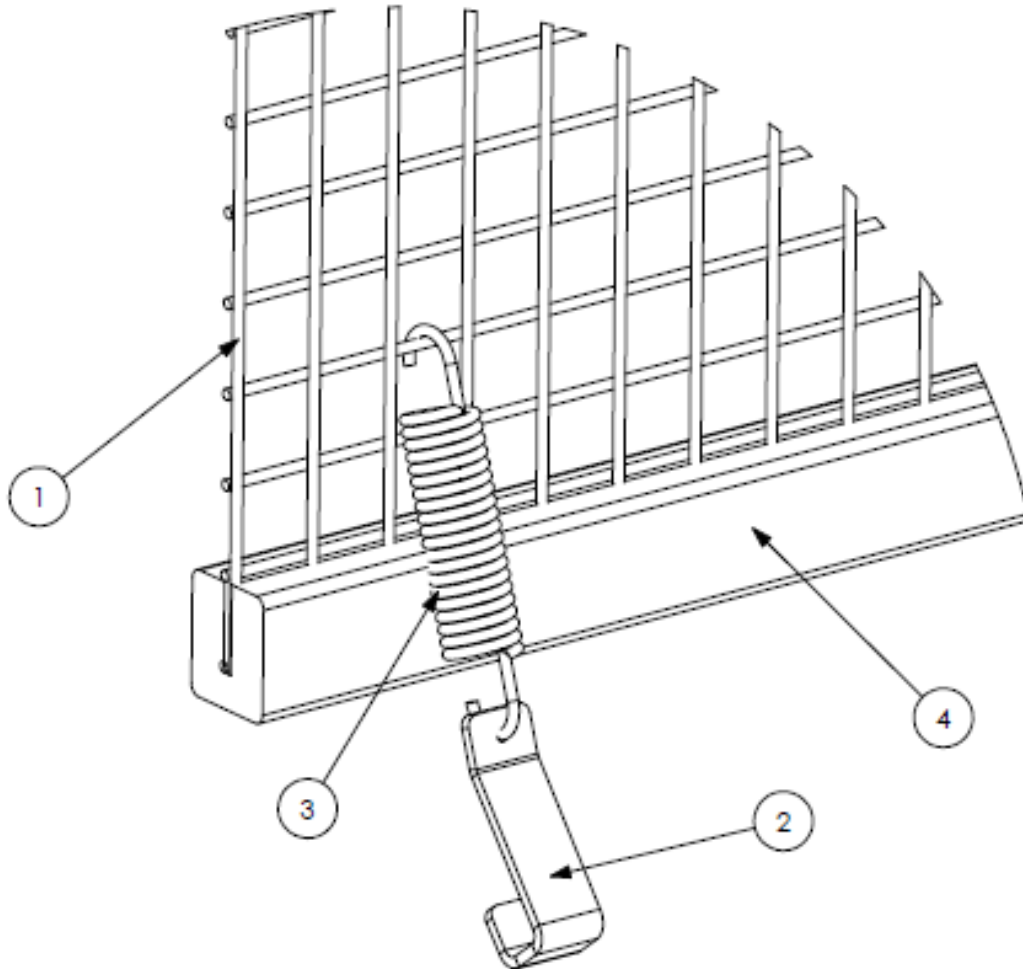
LIFT RAM SHUT OFF VALVE – S180028.86



REF NO.	PART NO.	QTY.	DESCRIPTION
1	3600129	1	2 WAY BALL VALVE
2	3260071	2	3/8" BONDED SEAL
3	3360083	2	1/4"-3/8" M-M
4	3760116	1	1/4" HOSE - 250mm
5	9243102	2	M5 X 50 SKT CAP SCREW
6	2770394	2	M5 NYLOCK
7	2770391	2	M5 FLAT WASHER
8	8770416	1	DECAL

Spearhead TWIGA PRO

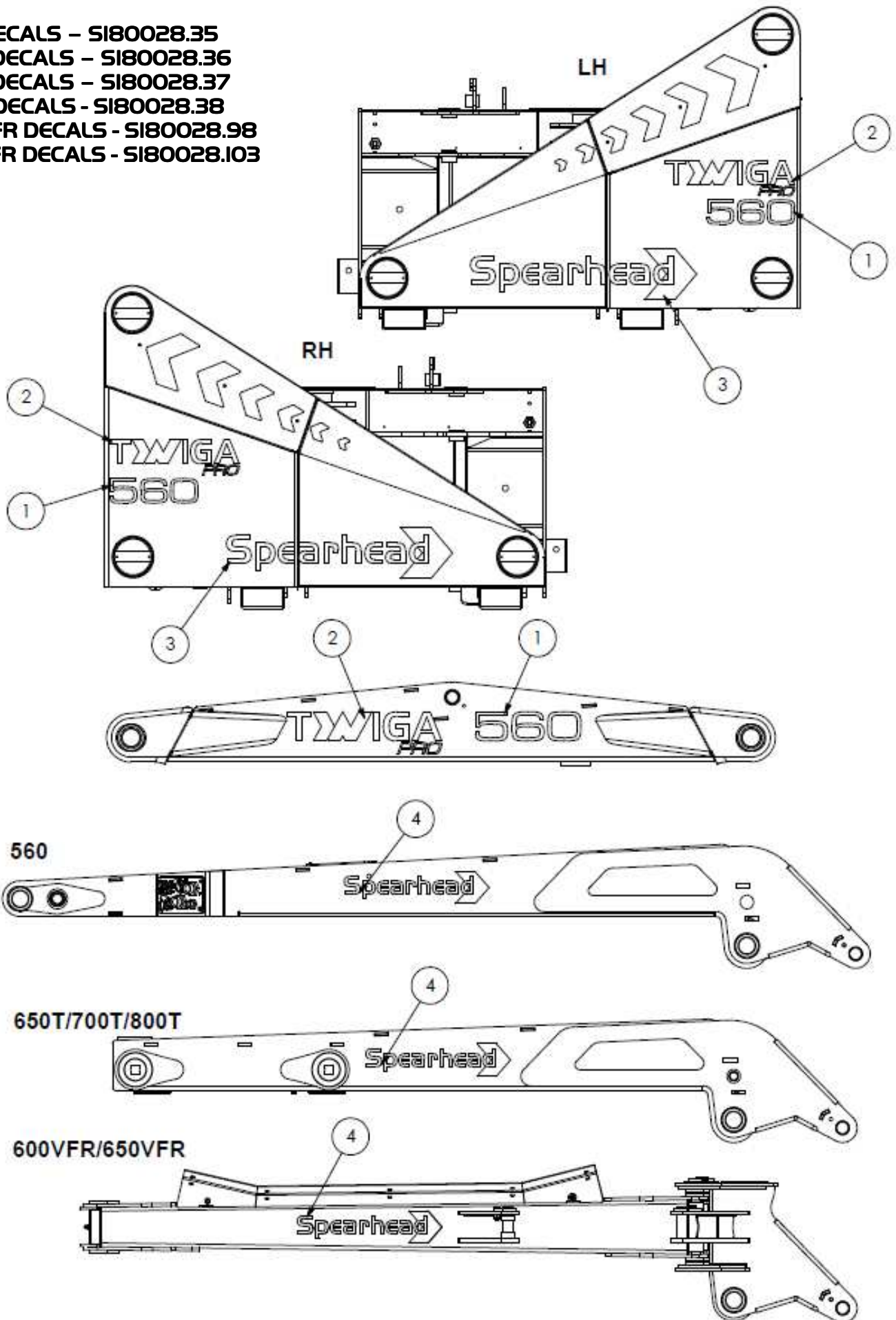
CAB GUARD KIT – S180028.53



REF NO.	PART NO.	QTY.	DESCRIPTION
	OPT0603	1	CAB GUARD KIT
1	1777140	2	MESH PANEL
2	41745.01	10	HOOK
3	6310209	10	SPRING
4	8550134	1	FOAM - 5M

Spearhead TWIGA PRO

- 560 DECALS - S180028.35
- 650T DECALS - S180028.36
- 700T DECALS - S180028.37
- 800T DECALS - S180028.38
- 600VFR DECALS - S180028.98
- 650VFR DECALS - S180028.103



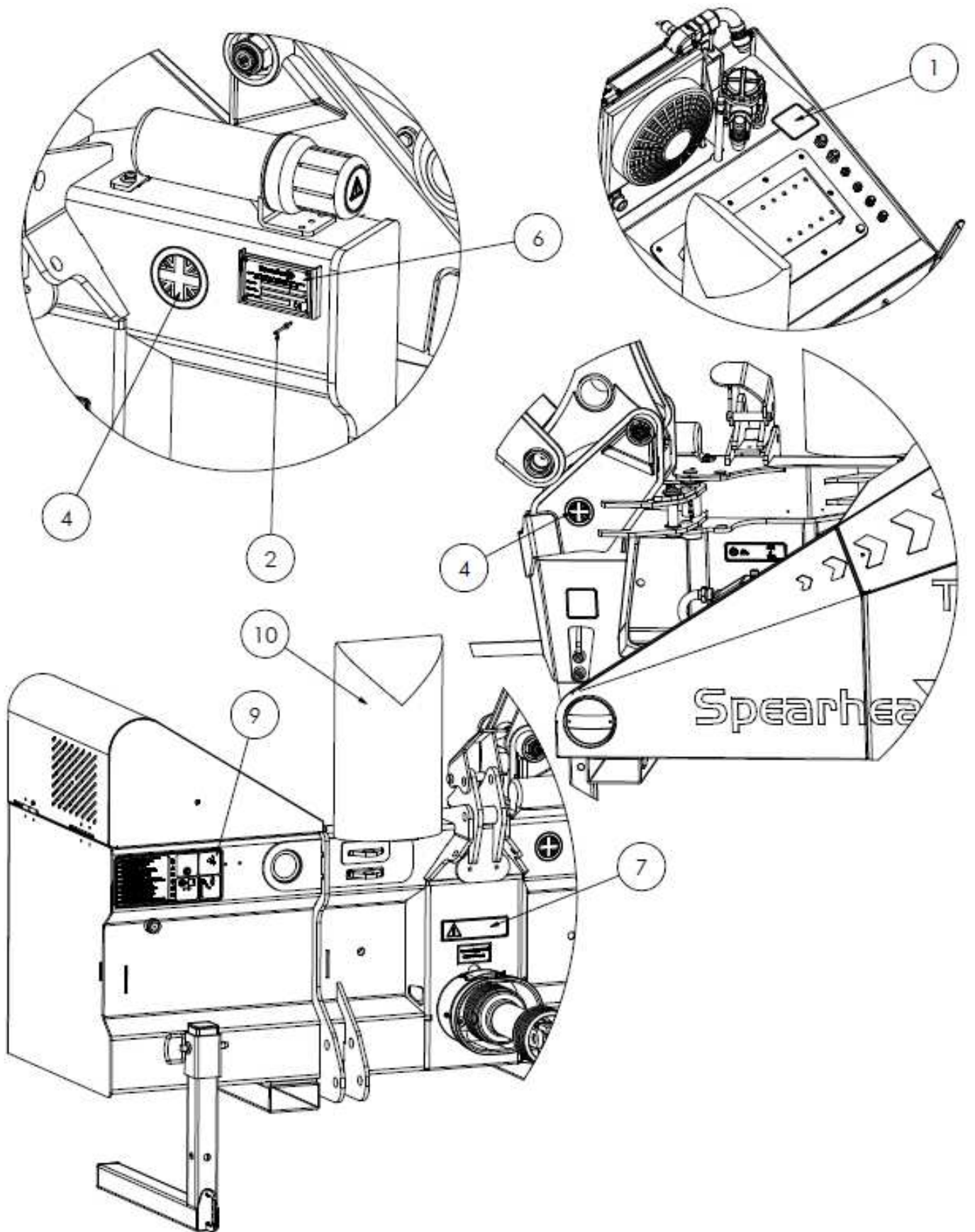
Spearhead TWIGA PRO

560 DECALS - S180028.35
650T DECALS - S180028.36
700T DECALS - S180028.37
800T DECALS - S180028.38
600VFR DECALS - S180028.98
650VFR DECALS - S180028.103

REF NO.	PART NO.	560	650T	700T	800T	600VFR	650VFR	DESCRIPTION
1	8770406	2	-	-	-	-	-	560 DECAL
1	8770407	-	2	-	-	-	-	650T DECAL
1	8770408	-	-	2	-	-	-	700T DECAL
1	8770409	-	-	-	2	-	-	800T DECAL
1	8770411	-	-	-	-	2	-	600VFR DECAL
1	8770412	-	-	-	-	-	2	650VFR DECAL
2	8770420	2	2	2	2	2	2	TWIGA PRO DECAL
3	8770371	1	1	1	1	1	1	SPEARHEAD DECAL
4	8770374	1	-	1	1	1	1	SPEARHEAD DECAL

Spearhead TWIGA PRO

SAFETY DECALS – S180028.49



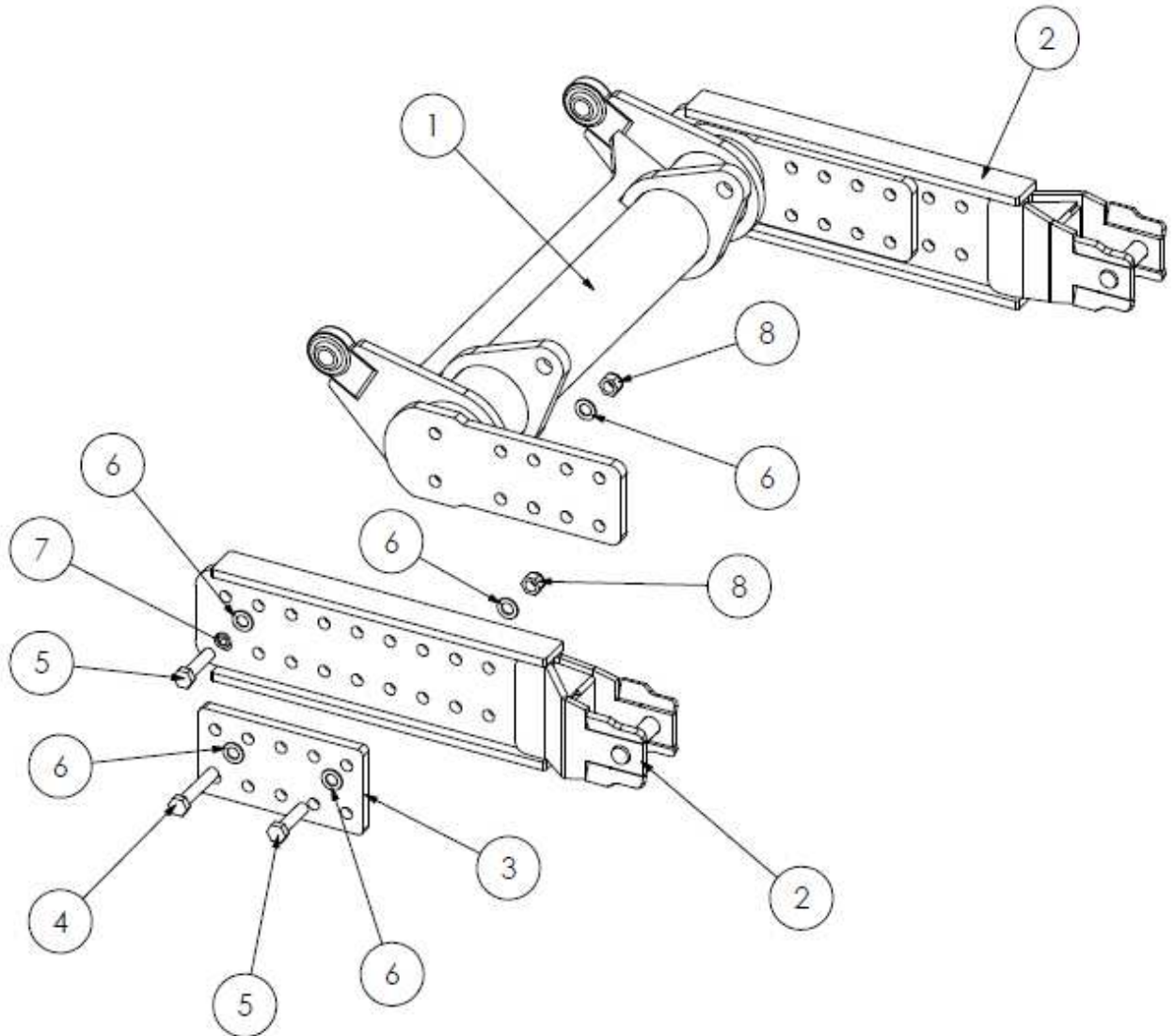
Spearhead TWIGA PRO

SAFETY DECALS – S180028.49

REF NO.	PART NO.	QTY.	DESCRIPTION
1	8770549	1	FILTER CHANGE DECAL
2	7103230	4	RIVET
4	8770307	2	MADE IN GB DECAL
5	8770322	20	GREASE POINT DECAL
6	8770330	1	SERIAL NUMBER PLATE
7	8770346	1	CHECK CHAINS DECAL
9	8770470	1	SAFETY DECAL
10	8770518	1	CONTROLS COVER

Spearhead TWIGA PRO

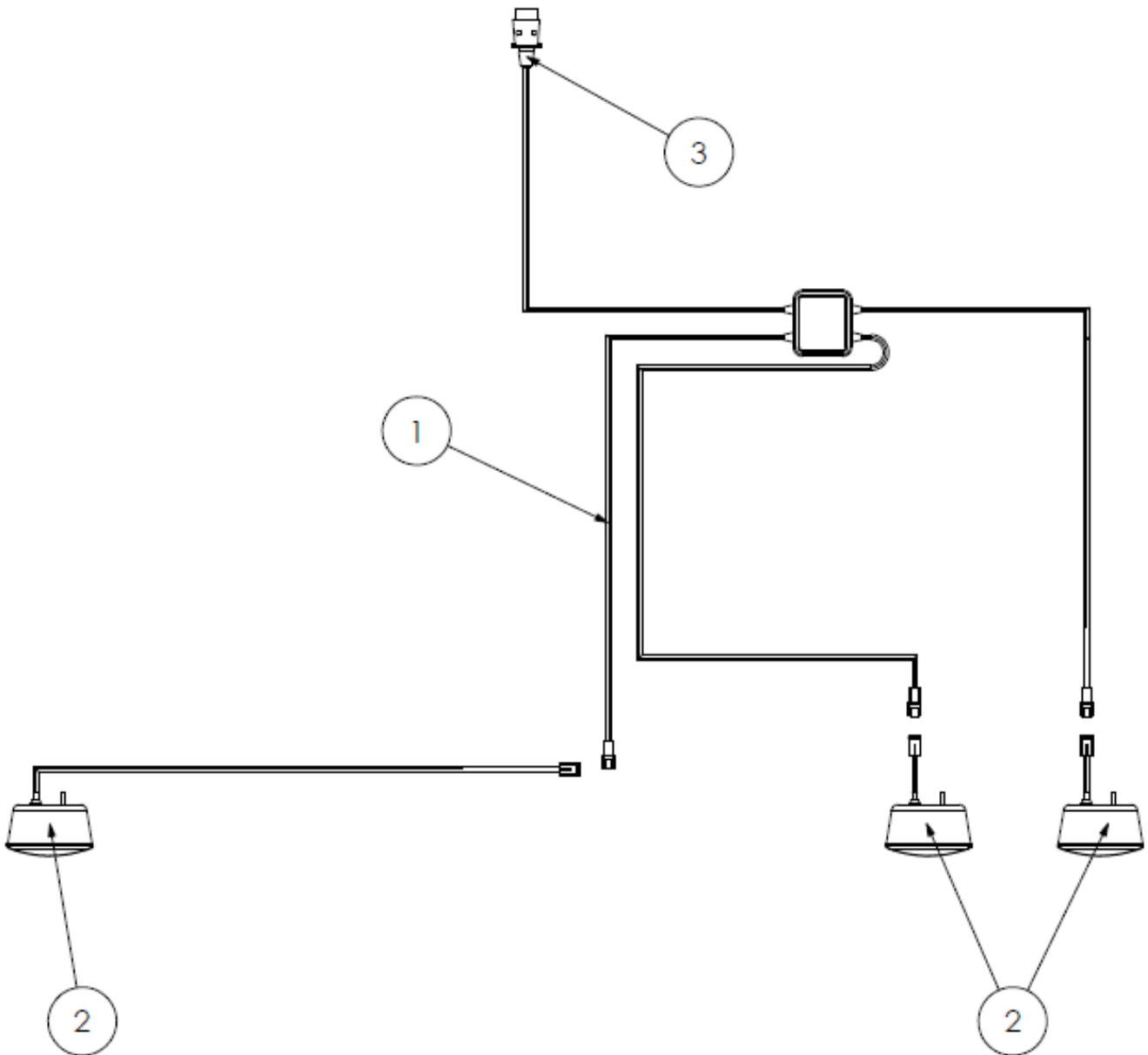
AXLE MOUNT SUB FRAME KIT – OPT0201



REF NO.	PART NO.	QTY.	DESCRIPTION
	OPT0201	1	AXLE MOUNT SUB FRAME KIT
1	1777030A	1	SUB FRAME
2	1777032A	2	ARM
3	1777035	2	BRACE PLATE
4	05.292.44	16	M20 X 110 BOLT
5	2770550	8	M20 X 80
6	2770517	44	M20 FLAT WASHER
7	05.282.05	4	M20 SPRING WASHER
8	2770409	20	M20 NYLOCK

Spearhead TWIGA PRO

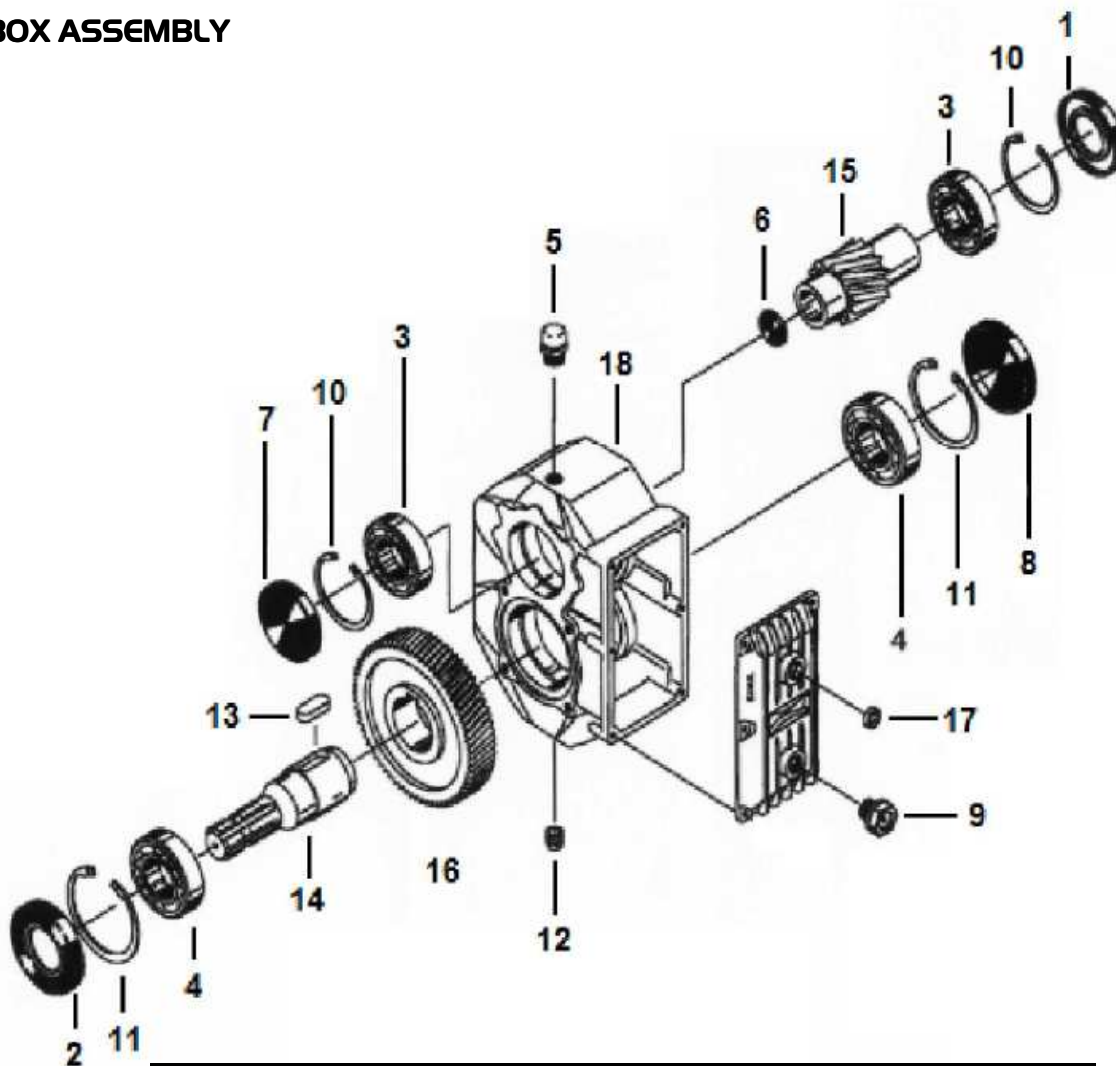
LIGHT CIRCUIT - S180028.39



REF NO.	PART NO.	QTY.	DESCRIPTION
1	8770845	1	LIGHT LOOM
2	8770658	3	LIGHT UNIT
3	8770657	1	7 PIN PLUG

Spearhead TWIGA PRO

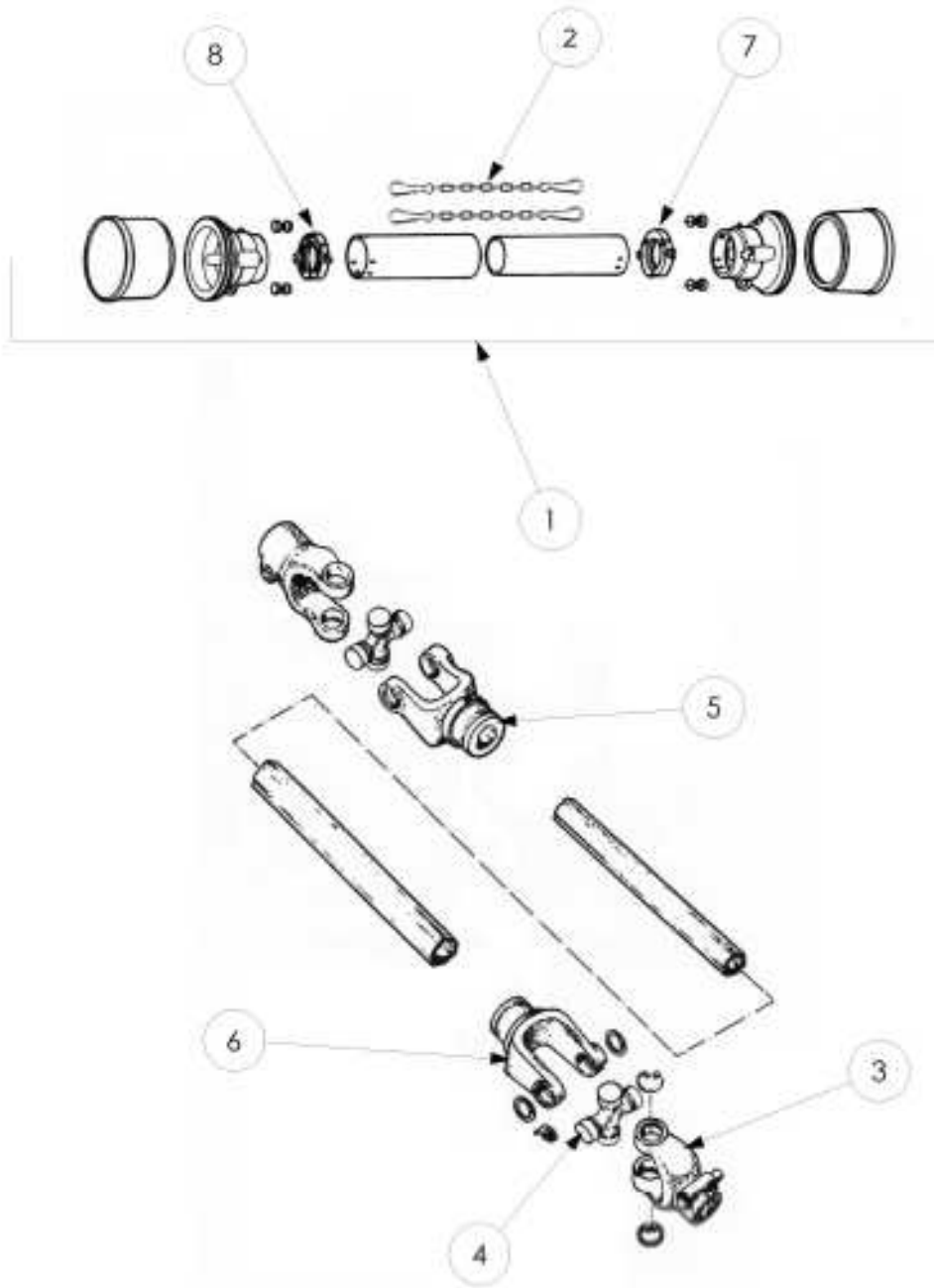
GEARBOX ASSEMBLY



REF NO.	PART NO.	QTY.	DESCRIPTION
	3151080	-	GEARBOX ASSEMBLY
1	4771119	1	OIL SEAL
2	5771613	1	OIL SEAL
3	4771605	2	BEARING
4	4771607	2	BEARING
5	5771124	1	BREATHER
6	5771123	1	END CAP
7	5771615	1	END CAP
8	5771614	1	END CAP
9	8013592	1	LEVEL GAUGE
10	8013529	2	CIRCLIP
11	8013525	2	CIRCLIP
12	8013533	1	DRAIN PLUG
13	8013586	1	KEY
14	8013522	1	INPUT SHAFT
15	8013614	1	OUTPUT SHAFT
16	8013615	1	GEAR
17	8013535	1	OIL PLUG
18	8013598	1	CASING

Spearhead TWIGA PRO

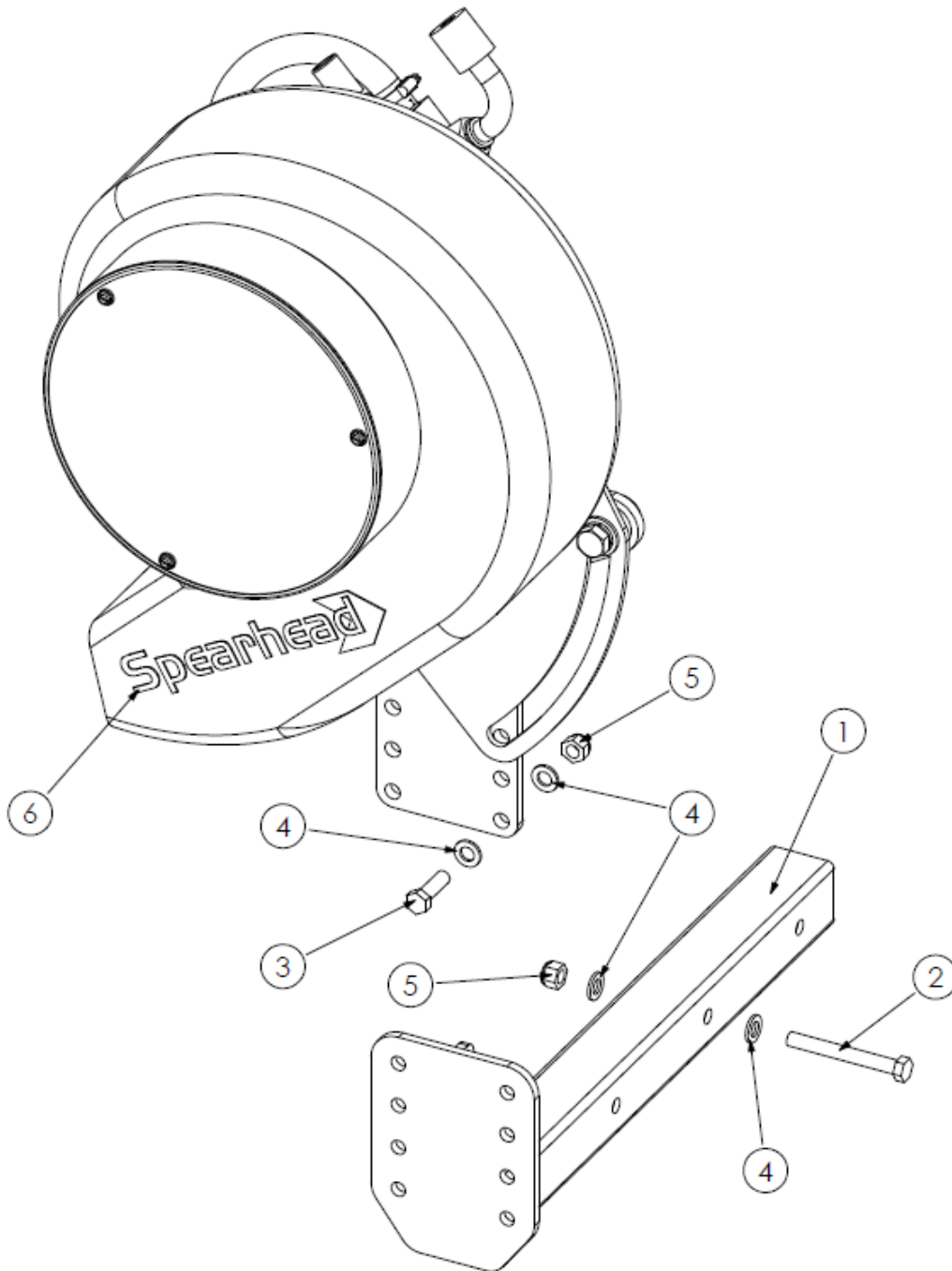
PTO ASSEMBLY



REF NO.	PART NO.	QTY.	DESCRIPTION
	5770084C	1	PTO ASSEMBLY
1	5772263	-	GUARD
2	5771020	-	CHAIN
3	5772240	-	YOKE – 6 SPLINE
3	5772241	-	YOKE – 21 SPLINE
4	5772242	-	CROSS JOURNAL
5	5772244	-	INNER YOKE
6	5772264	-	OUTER YOKE
7	4770814	-	INNER BEARING
8	4770815	-	OUTER BEARING

Spearhead TWIGA PRO

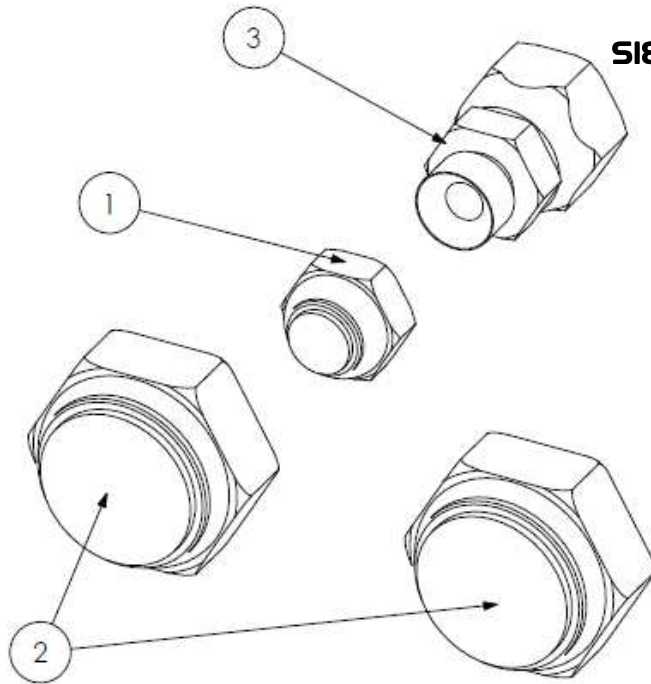
LH DEBRIS BLOWER – OPT0698
RH DEBRIS BLOWER – OPT0699



REF NO.	PART NO.	QTY.	DESCRIPTION
1	180891	1	BRACKET
2	2770471	3	M12 X 100 BOLT
3	2770443	4	M12 X 40 BOLT
4	2770436	14	M12 FLAT WASHER
5	2770417	7	M12 NYLOCK
6	8770688	1	DECAL

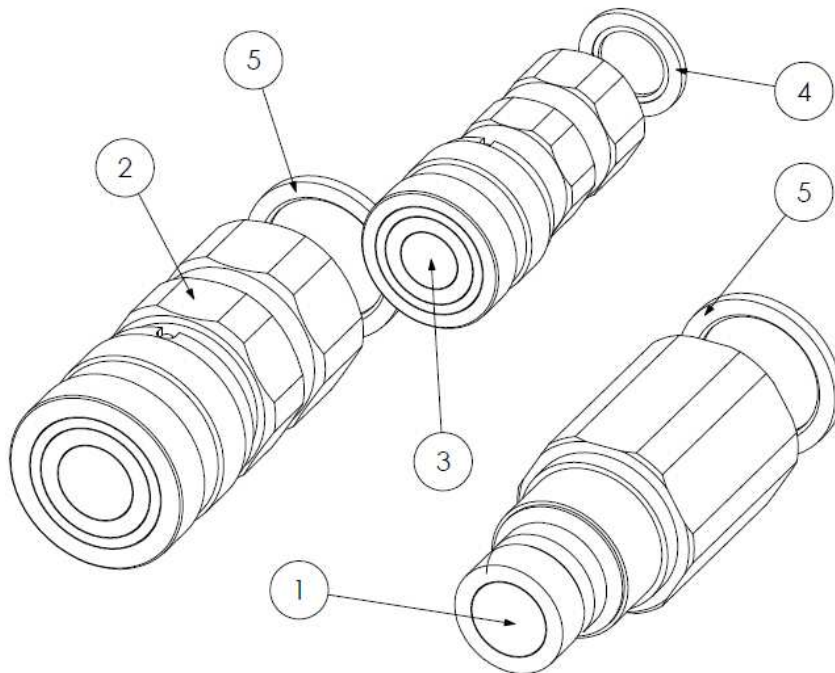
Spearhead TWIGA PRO

S180028.67 - HOSE BLANKING CAPS



REF NO.	PART NO.	QTY.	DESCRIPTION
1	07.082.01	1	3/8" BLANKING CAP
2	05.433.08	2	1" BLANKING CAP
3	3360108	1	1/2" FM - 3/8 M SWIVEL ADAPTOR

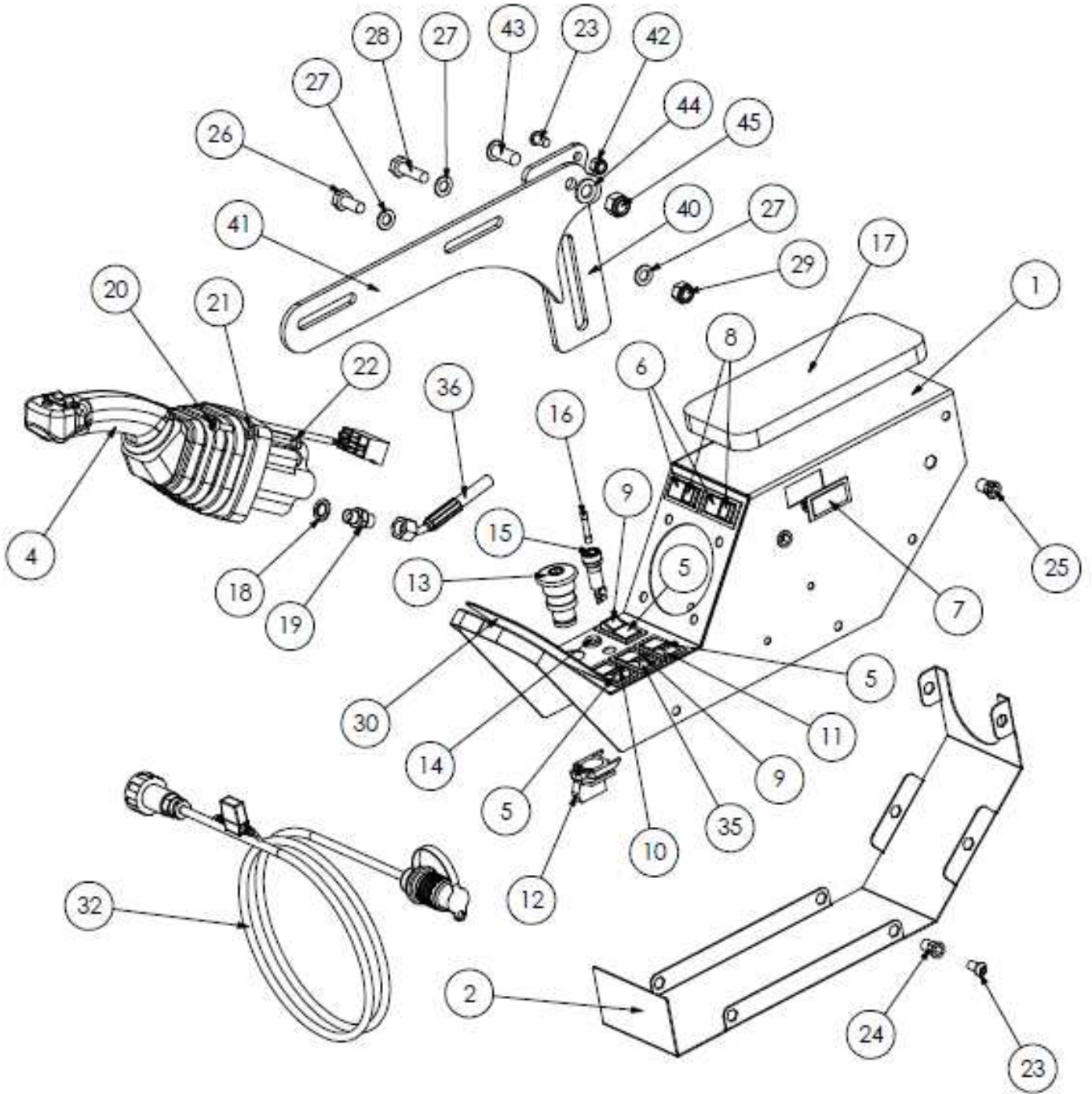
S180028.II4 - QUICK RELEASE COUPLINGS



REF NO.	PART NO.	QTY.	DESCRIPTION
1	3151105	1	1" MALE QR COUPLING
2	3151106	1	1" FEMALE QR COUPLING
3	3151110	1	1/2" FEMALE QR COUPLING
4	3260072	1	1/2" BONDED SEAL
5	3260074	2	1" BONDED SEAL
-	3151109	OPT	1/2" MALE QR COUPLING

Spearhead TWIGA PRO

LH HYDRAULIC PROPORTIONAL CONTROLS – S180028.47C
RH HYDRAULIC PROPORTIONAL CONTROLS – S180028.47R



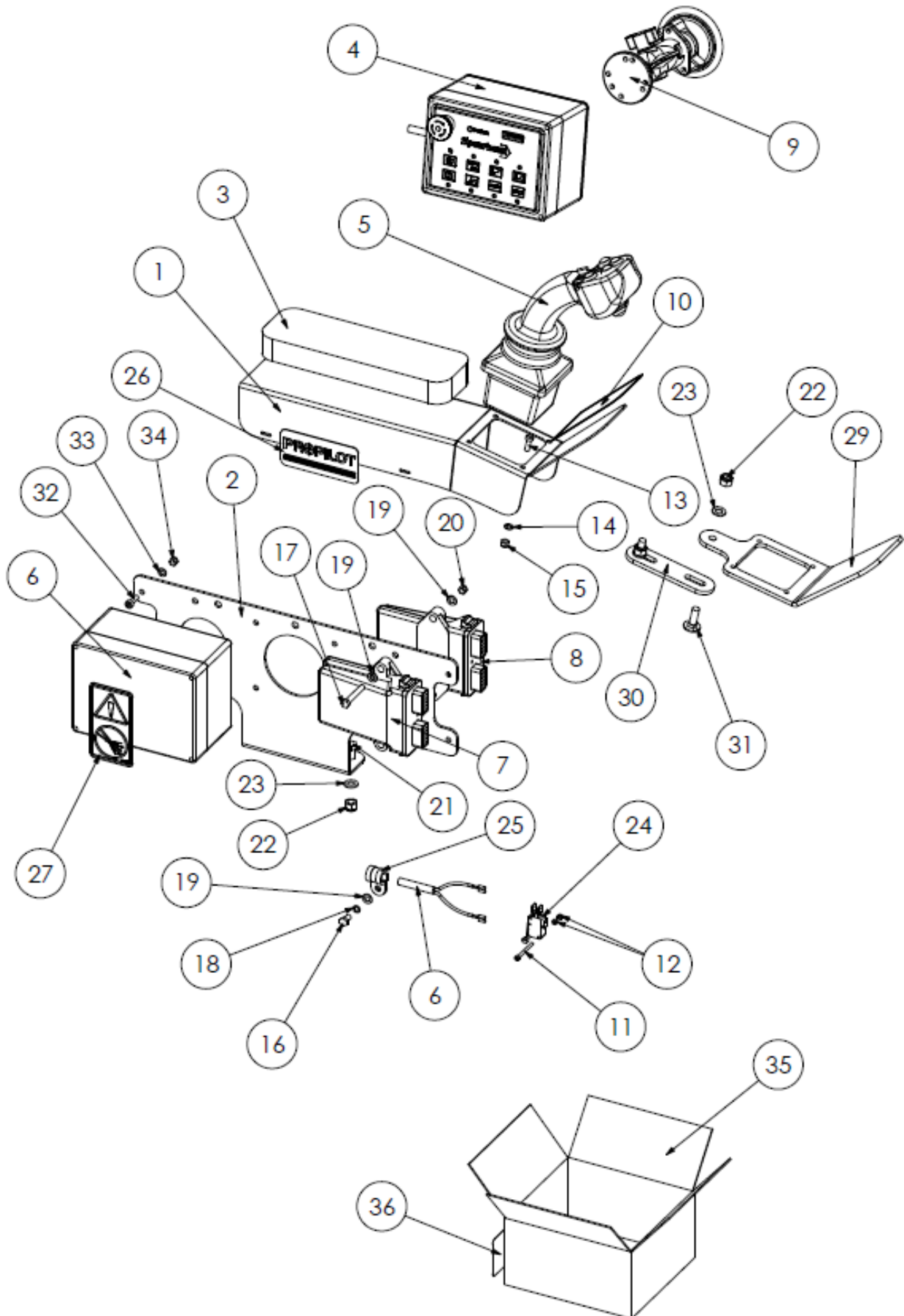
Spearhead TWIGA PRO

LH HYDRAULIC PROPORTIONAL CONTROLS – S180028.47C
RH HYDRAULIC PROPORTIONAL CONTROLS – S180028.47R

REF NO.	PART NO.	QTY.	DESCRIPTION
1	1777028A	1	ARMREST
2	1777033	1	ARMREST COVER
4	3910229	1	JOYSTICK (Pg 83)
5	3910276	3	SWITCH - ON/OFF
6	8400160	2	SWITCH - ON/OFF/ON
7	8400162	1	SWITCH BLANK
8	8400163B	2	SWITCH INSERT - BLANK
9	8400163G	2	SWITCH INSERT - GREEN
10	8400163R	1	SWITCH INSERT - RED
11	8400163Y	1	SWITCH INSERT - YELLOW
12	8400166	1	ROTOR SWITCH
13	8400167	1	ROTOR KNOB
14	8400168	1	POWER LIGHT
15	8400183	1	FUSE HOLDER
16	8400184	1	FUSE
17	5771634	1	FOAM PAD
18	3260070	6	1/4" BONDED SEAL
19	3360080	6	1/4" M-M
20	2770336	4	M6 X 25 SKT CAP BOLT
21	2771408	4	M6 FLAT WASHER
22	2770373	4	M6 NYLOCK NUT
23	2770370	9	M8 X 15 SKT BUTTON BOLT
24	2770206	8	M8 RIVNUT
25	2770202	4	M10 RIVNUT
26	2770407	2	M10 X 25 BOLT
27	2770434	6	M10 FLAT WASHER
28	2770396	2	M10 X 35 BOLT
29	2770412	2	M10 NYLOCK
30	8770456	1	LH DECAL
30	8770457	-	RH DECAL
31	8770715	1	CONTROL LOOM
32	8770712	1	POWER LEAD
33	43542.21	1	LARGE HOSE SLEEVE
34	30.058.66	12	SMALL CABLE TIE
37	8400035	1	SWITCH - OFF/ON/ON
39	3750561	1	HOSE KIT
40	181284	1	SEAT BRACKET
41	181285	1	ARM REST BRACKET
42	2770416	1	M8 NYLOCK NUT
43	05.625.10	1	M12 X 30 SKT BUTTON SCREW
44	2770436	1	M12 FLAT WASHER
45	2770417	1	M12 NYLOCK NUT

Spearhead TWIGA PRO

LH ELECTRIC PROPORTIONAL PRO PILOT CONTROLS – S180028.48
RH ELECTRIC PROPORTIONAL PRO PILOT CONTROLS – S180028.I16



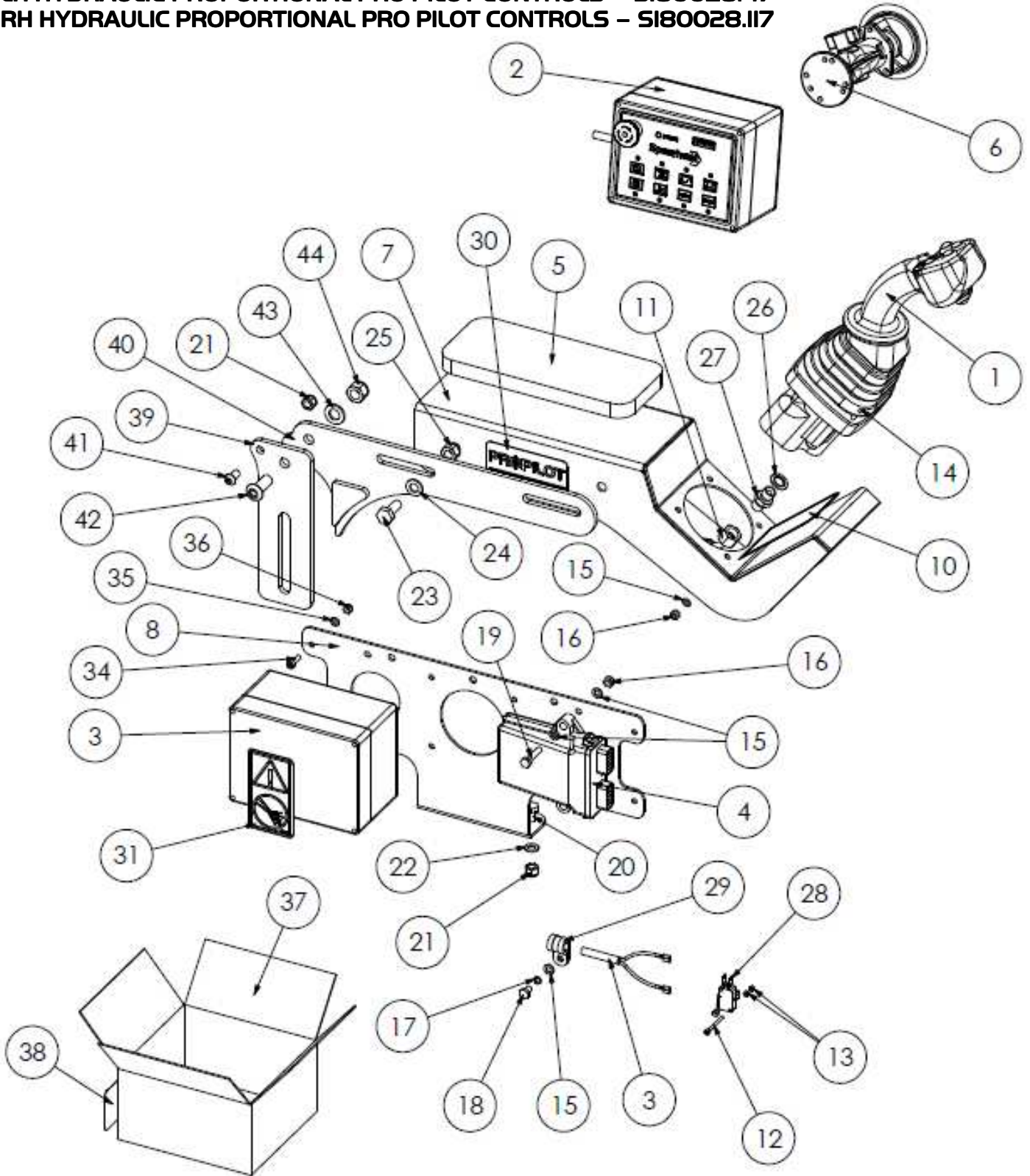
Spearhead TWIGA PRO

LH ELECTRIC PROPORTIONAL PRO PILOT CONTROLS – S180028.48
RH ELECTRIC PROPORTIONAL PRO PILOT CONTROLS – S180028.I16

REF NO.	PART NO.	QTY. LH	QTY. RH	DESCRIPTION
1	180729	1	-	JOYSTICK ARM REST
2	180216	1	1	JUNCTION BOX BRACKET
3	22073.45	1	-	FOAM PAD
4	8770702	1	1	SWITCH BOX
5	8770737	1	1	ELECTRIC PROP JOYSTICK
6	8770772	1	1	CONTROL LOOM
7	8770746	1	1	CONTROL BOX 1
8	8770773	1	1	CONTROL BOX 2
9	22073.09	1	1	SUCTION PAD
10	8770435	1	-	LH DECAL
10	8770437	-	1	RH DECAL
11	9300108	2	2	M3 X 20 SCREW
12	2770233	4	4	M3 FULL NUT
13	9300133	4	4	M4 X 25 SCREW
14	30.074.95	4	4	M4 FLAT WASHER
15	05.948.33	4	4	M4 NYLOCK NUT
16	30.068.83	3	3	M6 X 20 BOLT
17	30.068.90	2	2	M6 X 55 BOLT
18	05.282.07	3	3	M6 SPRING WASHER
19	2771408	4	4	M6 FLAT WASHER
20	2770373	2	2	M6 NYLOCK NUT
21	2770402	2	2	M8 X 20 BOLT
22	2770416	2	4	M8 NYLOCK
23	2770432	2	4	M8 FLAT WASHER
24	3910275	1	1	SWITCH
25	3850103	3	3	P CLIP
26	8770453	2	-	PRO PILOT DECAL
27	8770454	1	1	DON'T WASH DECAL
28	30.058.66	10	10	CABLE TIE - SM
29	180228	-	1	JOYSTICK MOUNT BRACKET
30	180229	-	1	JOYSTICK MOUNT ARM
31	9293054	-	2	M8 X 25 COACH BOLT
32	9343032	4	4	M5 X 16 SKT CAP SCREW
33	2770391	4	4	M5 FLAT WASHER
34	2770394	4	4	M5 NYLOCK
35	8402701	1	1	PACKING BOX
36	1290717	1	1	DECAL

Spearhead TWIGA PRO

LH HYDRAULIC PROPORTIONAL PRO PILOT CONTROLS – S180028.47
 RH HYDRAULIC PROPORTIONAL PRO PILOT CONTROLS – S180028.I17



REF NO.	PART NO.	QTY. LH	QTY. RH	DESCRIPTION
1	3910097	1	1	HYD PROP JOYSTICK
2	8770702	1	1	SWITCH BOX
3	8770772	1	1	LOOM
4	8770746	1	1	CONTROL BOX 1
5	5771634	1	1	FOAM PAD

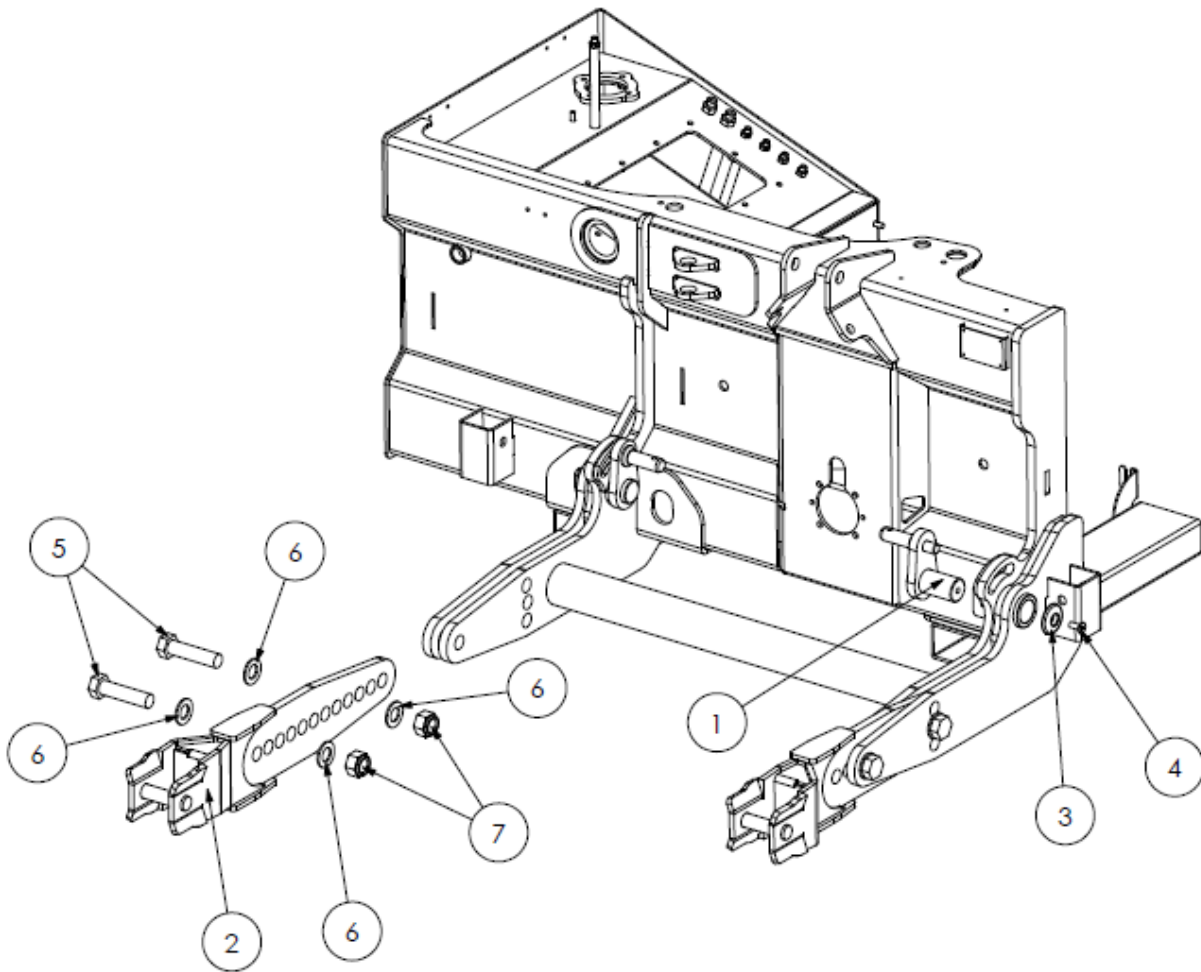
Spearhead TWIGA PRO

LH HYDRAULIC PROPORTIONAL PRO PILOT CONTROLS – S180028.47
RH HYDRAULIC PROPORTIONAL PRO PILOT CONTROLS – S180028.I17

REF NO.	PART NO.	QTY. LH	QTY. RH	DESCRIPTION
6	22073.09	1	1	SUCTION PAD
7	180050	1	1	JOYSTICK ARM REST
8	180216	1	1	JUNCTION BOX BRACKET
10	8770435	1	-	LH DECAL
10	8770437	-	1	RH DECAL
11	3750561	1	1	CONTROL HOSE KIT
12	9300108	2	2	M3 X 20 SCREW
13	2770233	4	4	M3 FULL NUT
14	2770336	4	4	M6 X 25 SKT CAP BOLT
15	2771408	11	11	M6 FLAT WASHER
16	2770373	6	6	M6 NYLOCK
17	05.282.07	3	3	M6 SPRING WASHER
18	30.068.83	3	3	M6 X 20 BOLT
19	2770486	2	2	M6 X 30 BOLT
20	2770402	2	2	M8 X 20 BOLT
21	2770416	3	3	M8 NYLOCK
22	2770432	2	2	M8 FLAT WASHER
23	2770407	2	2	M10 X 25 BOLT
24	2770434	2	2	M10 FLAT WASHER
25	2770412	2	2	M10 NYLOCK
26	3260070	6	6	1/4" BONDED SEAL
27	3360080	6	6	1/4" M-M
28	3910275	1	1	SWITCH
29	3850103	3	3	P CLIP
30	8770452	2	2	PRO PILOT DECAL
31	8770454	1	1	DON'T WASH DECAL
32	30.058.66	8	8	CABLE TIE - SM
33	43542.21	1	1	HOSE SLEEVE: 3100mm - LRG
34	9343032	4	4	M5 X 16 SKT CAP SCREW
35	2770391	4	4	M5 FLAT WASHER
36	2770394	4	4	M5 NYLOCK
37	8402701	1	1	PACKING BOX
38	1290717	1	1	DECAL
39	181284	1	1	SEAT BRACKET
40	181285	1	1	ARM REST BRACKET
41	2770370	1	1	M8 X 15 SKT BUTTON SCREW
42	05.625.10	1	1	M12 X 30 SKT BUTTON SCREW
43	2770436	1	1	M12 FLAT WASHER
44	2770417	1	1	M12 NYLOCK NUT

Spearhead TWIGA PRO

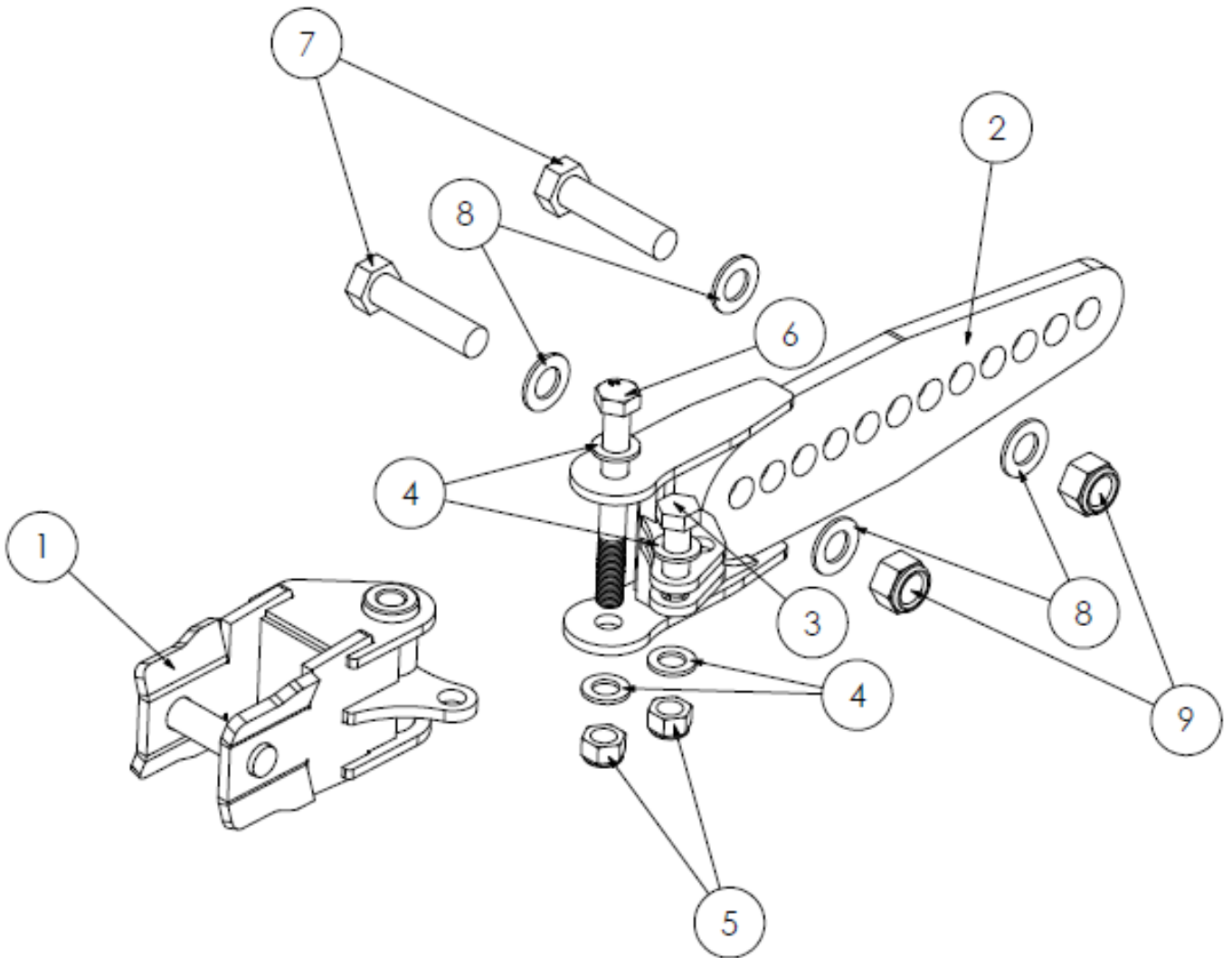
STD BRACKET MOUNTING ARMS - S180028.22



REF NO.	PART NO.	QTY.	DESCRIPTION
1	180082	2	CAT II FLOATING LOWER LINK
1	180959	OPT	CAT III FLOATING LOWER LINK
2	180508	2	FIXED AXLE MOUNT ARM
3	1777208	2	RETAINING WASHER - 65 mm
4	2770506	2	M12 X 30 SKT CSK SCREW
5	2770426	4	M30 X 120 BOLT
6	05.281.18	8	M30 FLAT WASHER
7	2770427	4	M30 NYLOCK NUT

Spearhead TWIGA PRO

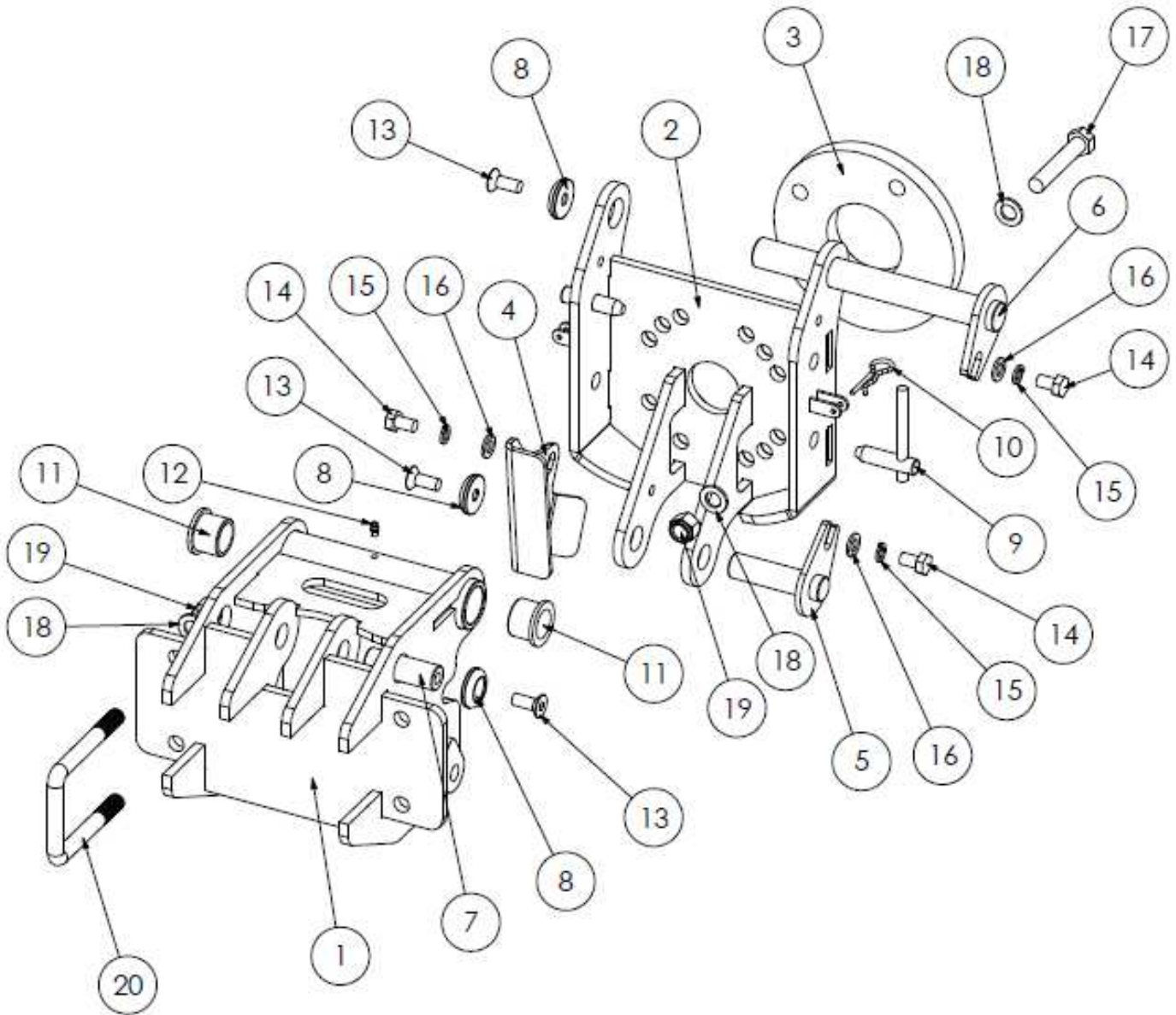
BRACKET MOUNTING FLOATING ARMS - OPT0778



REF NO.	PART NO.	QTY.	DESCRIPTION
1	180261	2	FLOATING BRACKET
2	180262	2	FLOATING ARM
3	2770413	2	M24 X 75 BOLT
4	2770464	8	M24 FLAT WASHER
5	2770414	4	M24 NYLOCK NUT
6	9213449	2	M24 X 220 BOLT
7	2770426	4	M30 X 120 BOLT
8	05.281.18	8	M30 FLAT WASHER
9	2770427	4	M30 NYLOCK NUT

Spearhead TWIGA PRO

NARROW LANE BRACKET - S180028.I33



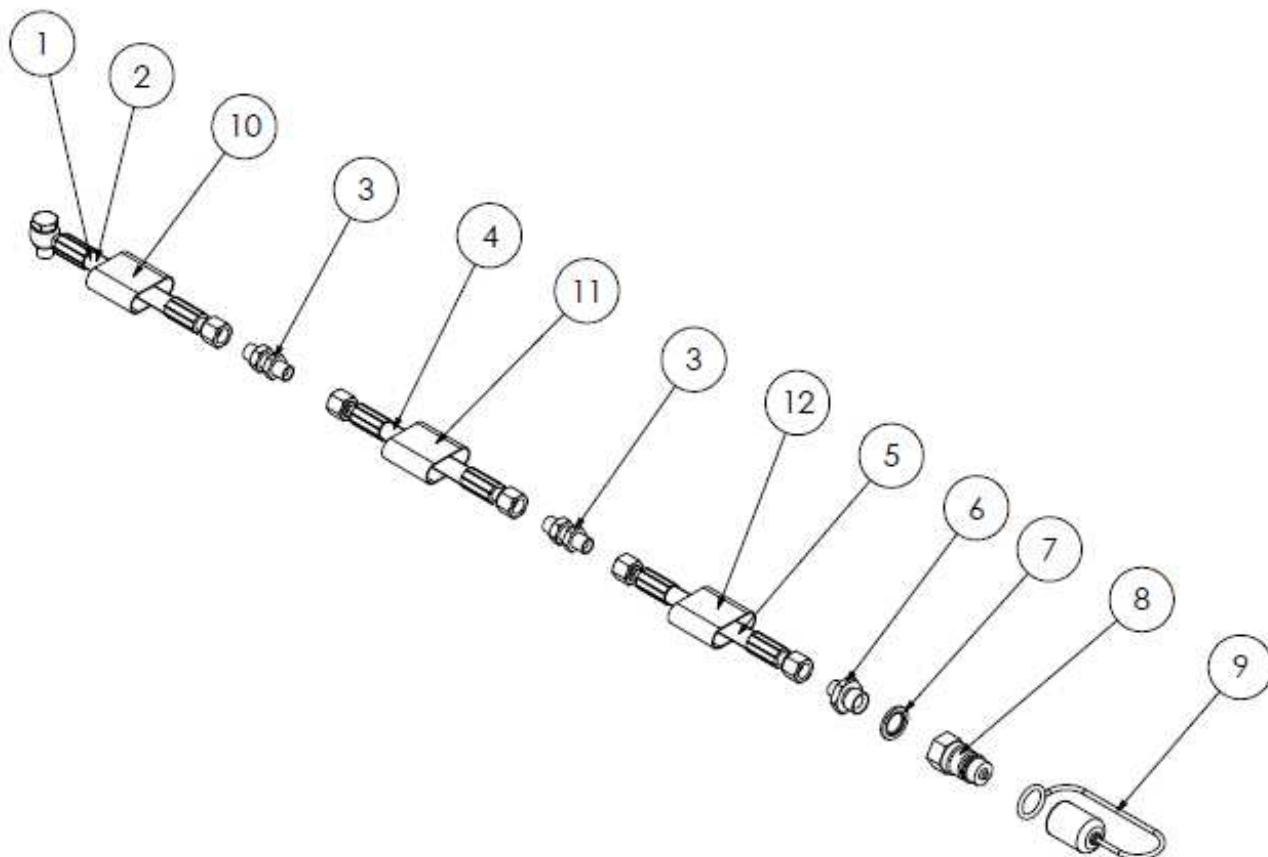
Spearhead TWIGA PRO

NARROW LANE BRACKET - S180028.I33

REF NO.	PART NO.	QTY.	DESCRIPTION
1	180444	1	FRONT BRACKET
2	180445	1	REAR BRACKET
3	181388	1	SPACER
4	181283	1	HOSE GUIDE
5	1771550	1	PEAR PIN: 25.4 X 84 mm
6	1777914A	1	PEAR PIN: 30 X 251 mm
7	1778039	1	PIN: 25.4 X 76 mm
8	1777209	4	RETAINING WASHER - 40 OD
9	1777749	2	LOCKING PIN
10	6310194	2	R CLIP
11	4600135B	2	BUSH
12	2770467	1	M6 ST GREASE NIPPLE
13	2770506	4	M12 X 30 SKT CSK SCREW
14	05.264.21	3	M12 X 20 BOLT
15	2770442	3	M12 SPRING WASHER
16	2770436	3	M12 FLAT WASHER
17	2770635	4	M16 X 90 BOLT
18	2770454	12	M16 FLAT WASHER
19	2770447	8	M16 NYLOCK NUT
20	27470625	2	M16 U BOLT

Spearhead TWIGA PRO

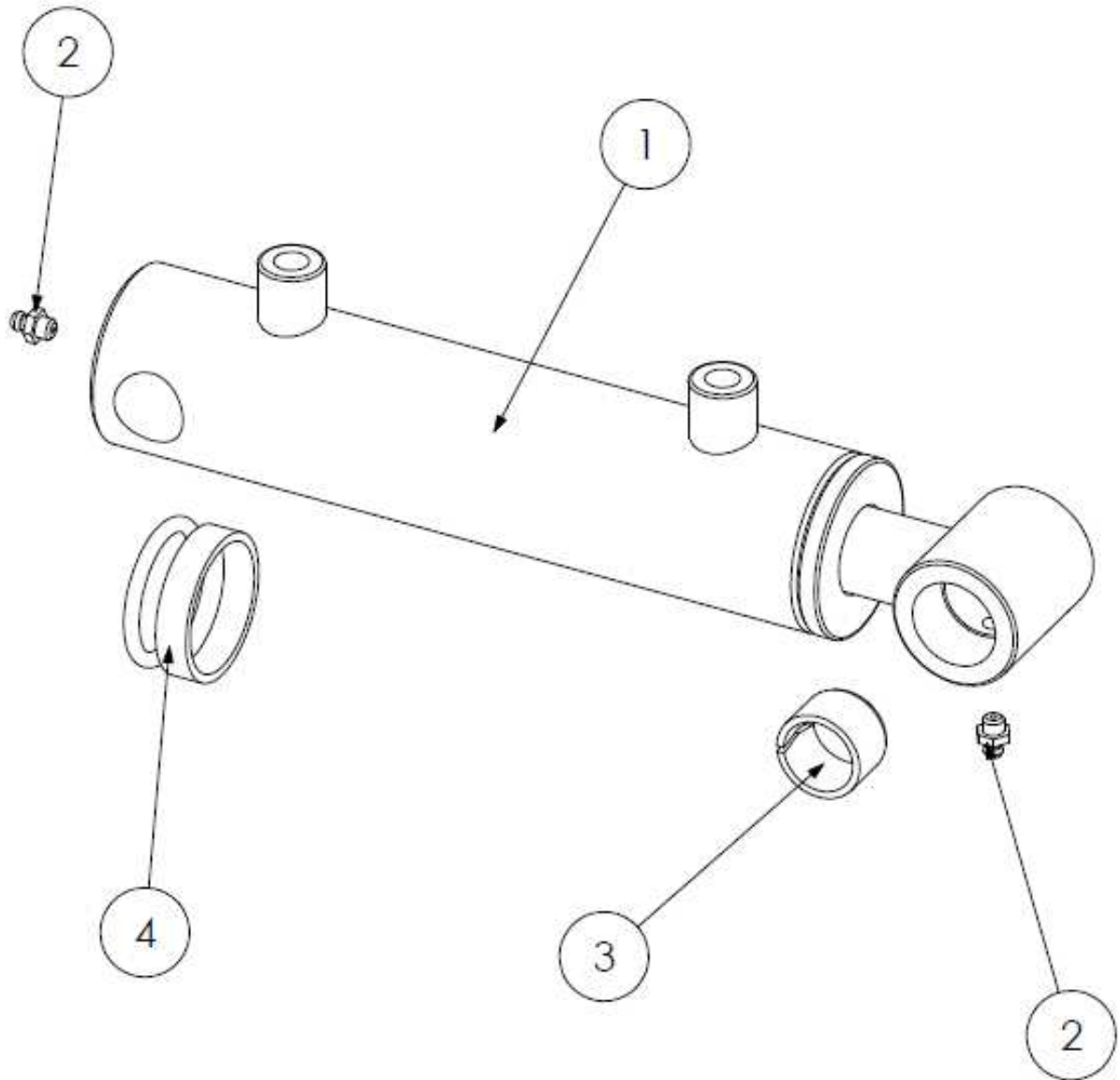
650T NARROW LANE BRACKET HOSES - 5180028.I34



REF NO.	PART NO.	QTY.	DESCRIPTION
1	3760509	1	1/4" HOSE - 1755mm
2	3760512	1	1/4" HOSE - 1600mm
3	3460122	4	1/4" BULKHEAD ADAPTOR
4	3760520	2	1/4" HOSE - 5000mm
5	3760513	2	1/4" HOSE - 4500mm
6	3250154	2	1/4" M - 1/2" ADAPTOR R1.0mm
7	3260072	2	1/2" BONDED SEAL
8	3750153	2	1/2" QUICK RELEASE COUPLING
9	3700236	2	DUST CAP
10	43543.08	1	HOSE SLEEVE: 1800mm SM
11	43543.10	1	HOSE SLEEVE: 1200mm SM
12	43543.13	1	HOSE SLEEVE: 3100mm SM

Spearhead TWIGA PRO

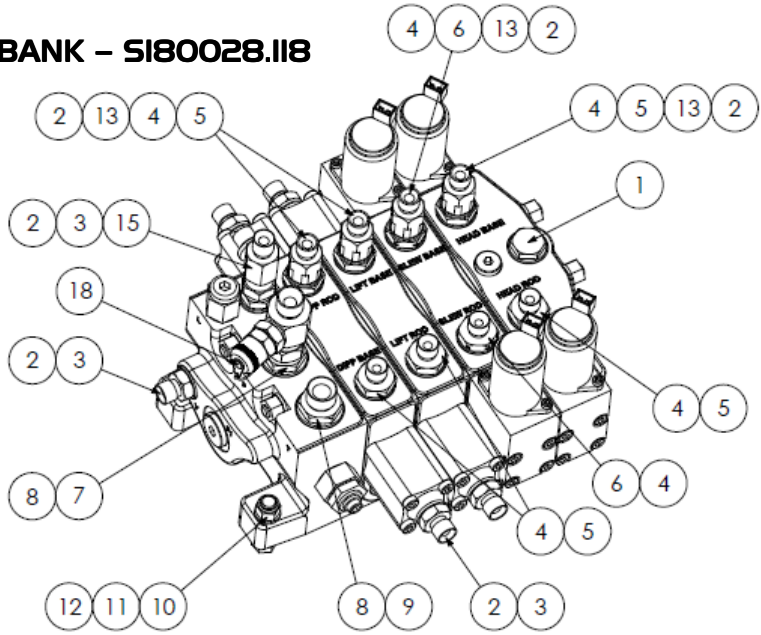
NARROW LANE BRACKET RAM - S180032.100



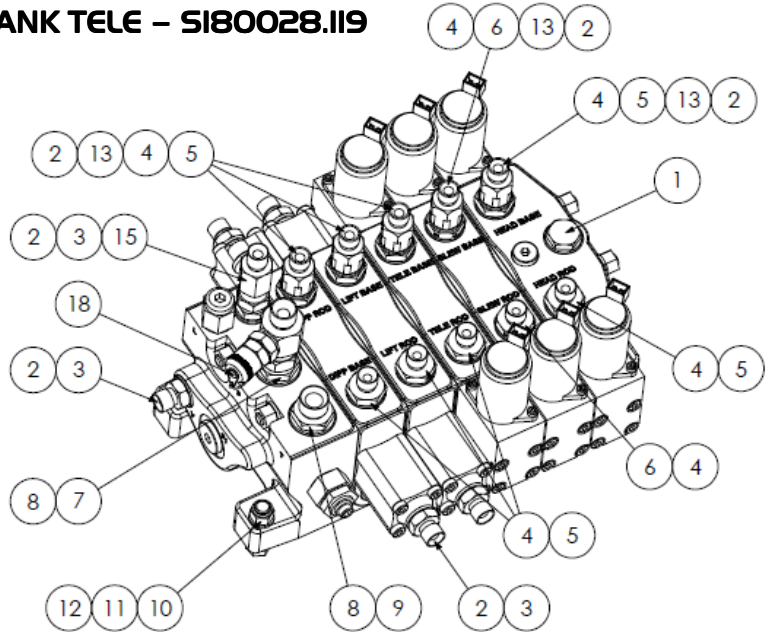
REF NO.	PART NO.	QTY.	DESCRIPTION
1	3580645	1	RAM
2	01.070.04	2	1/8 ST GREASE NIPPLE
3	4600415	2	BUSH
4	3580665W	1	SEAL KIT

Spearhead TWIGA PRO

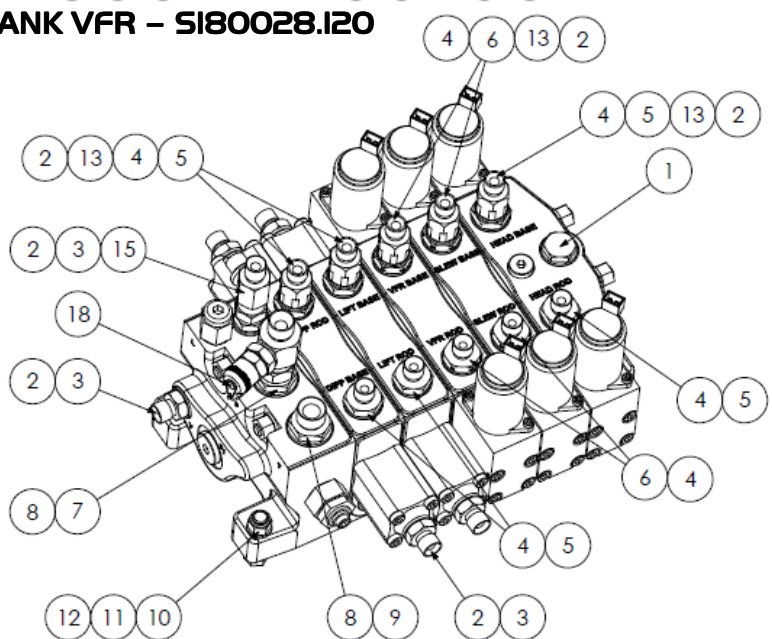
PRO PILOT HYD CONTROL VALVE: 4 BANK – S180028.I18



PRO PILOT HYD CONTROL VALVE: 5 BANK TELE – S180028.I19

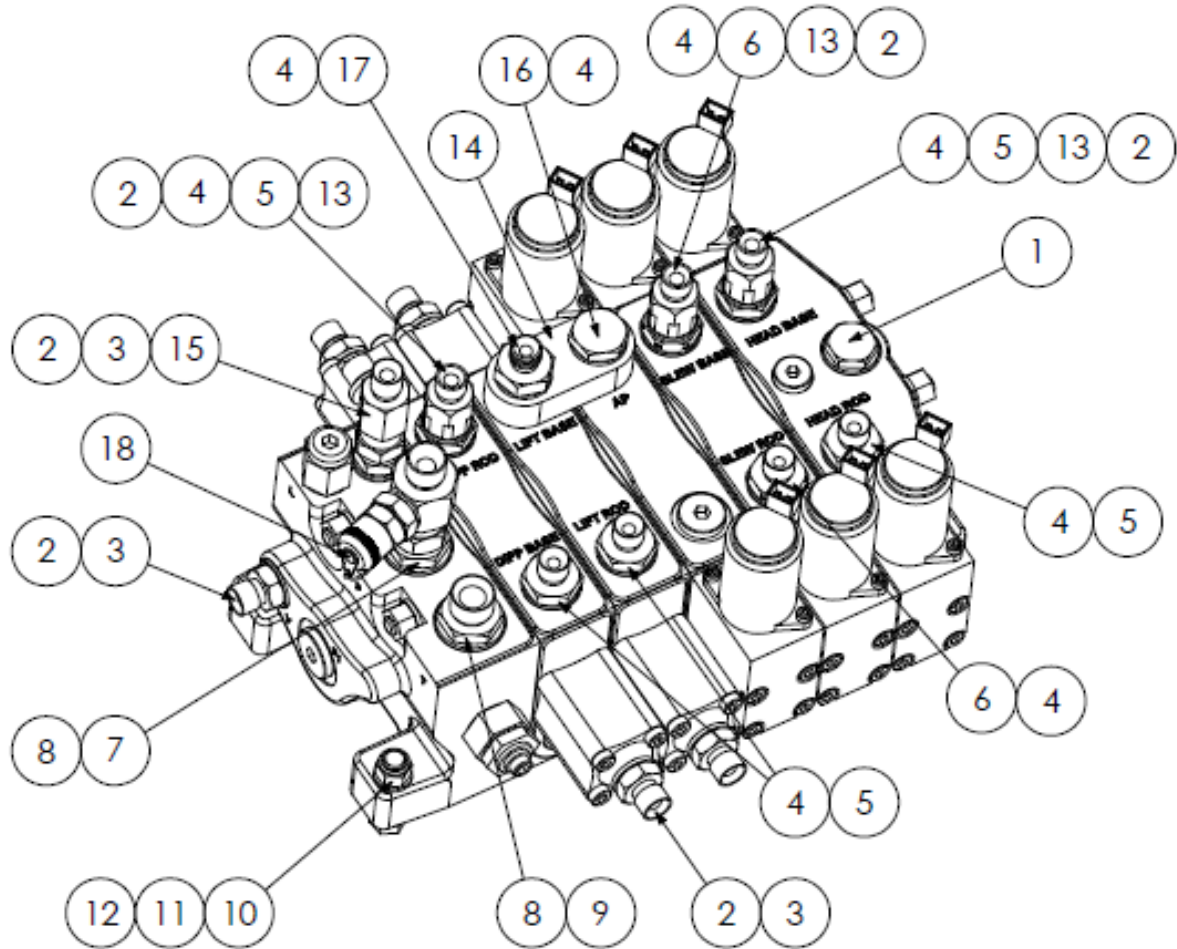


PRO PILOT HYD CONTROL VALVE: 5 BANK VFR – S180028.I20



Spearhead TWIGA PRO

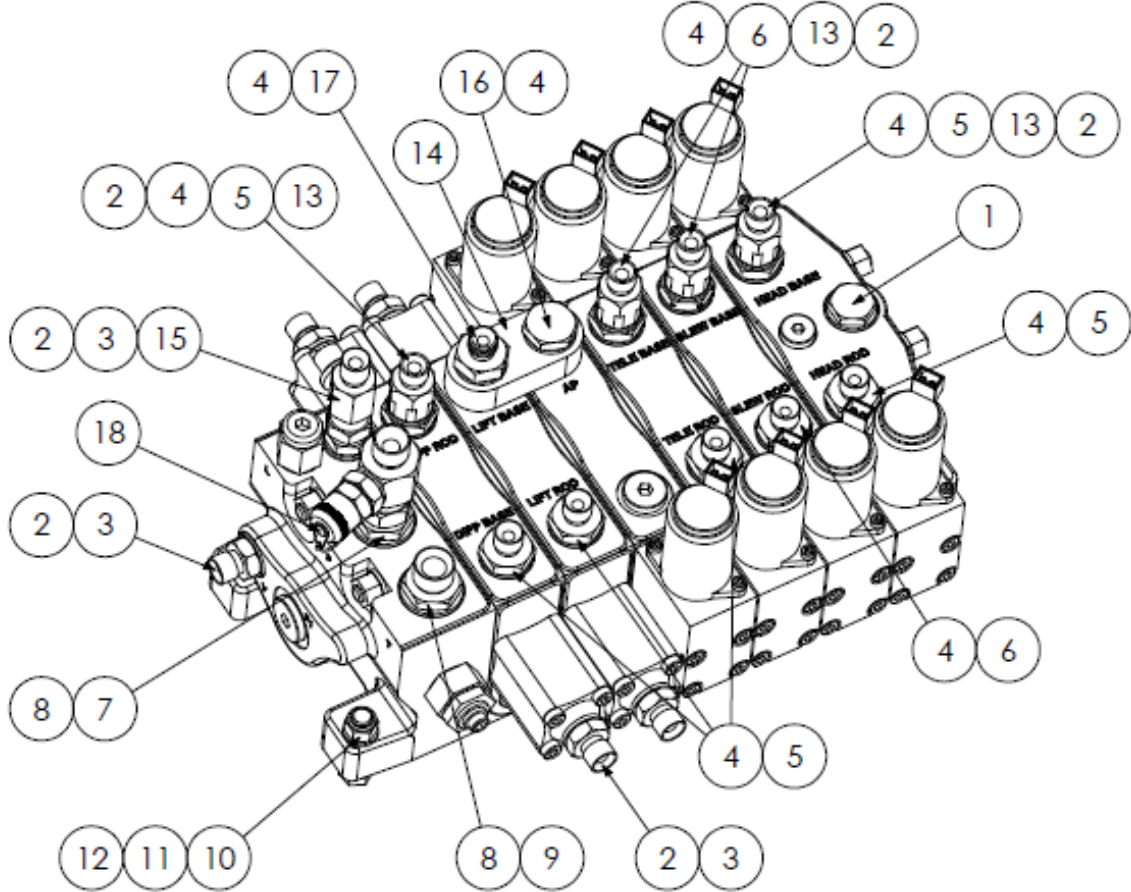
PRO PILOT HYD CONTROL VALVE: 5 BANK AUTOPILOT – S180028.I21



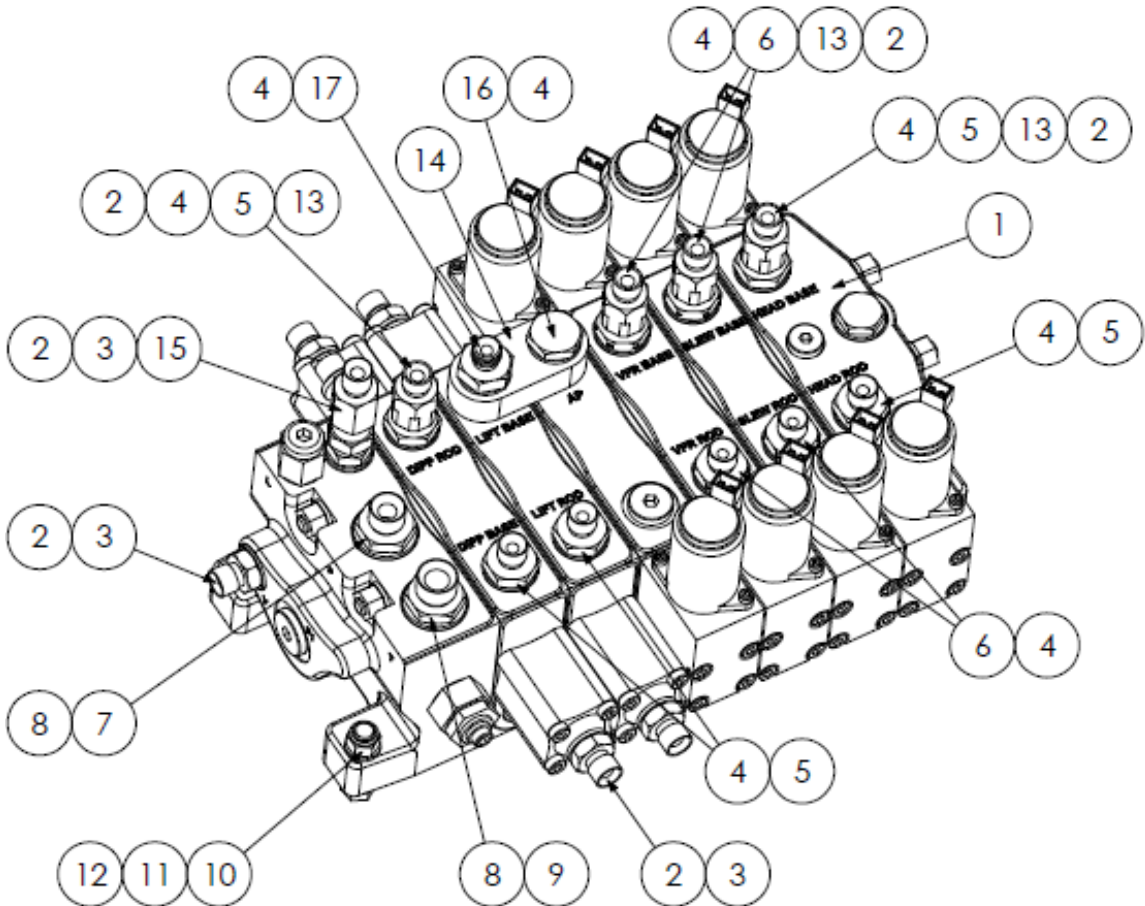
REF NO.	PART NO.	28.118	28.119	28.120	28.121	28.122	28.123	DESCRIPTION
1	3910331	1	-	-	-	-	-	4 BANK VALVE ASSEMBLY
1	3910332	-	1	1	-	-	-	5 BANK VALVE ASSEMBLY
1	3910333	-	-	-	1	-	-	5 BANK VALVE ASSEMBLY
1	3910334	-	-	-	-	1	1	6 BANK VALVE ASSEMBLY
2	3260070	10	11	11	9	10	10	1/4" BONDED SEAL
3	3360080	6	6	6	6	6	6	1/4" M-M
4	3260071	8	10	10	11	13	13	3/8" BONDED SEAL
5	3360083	6	8	6	5	8	5	1/4"-3/8" M-M
6	3360098	2	2	4	2	2	4	1/4"-3/8" M-M R1
7	3360088	1	1	1	1	1	1	3/8"-1/2" M-M
8	3260072	2	2	2	2	2	2	1/2" BONDED SEAL
9	3460301	1	1	1	1	1	1	1/2" M-M
10	05.291.03	4	4	4	4	4	4	M8 X 40 BOLT
11	2770432	4	4	4	4	4	4	M8 FLAT WASHER
12	2770416	4	4	4	4	4	4	M8 NYLOCK
13	3250148	4	5	5	3	4	4	1/4" M-FM FIXED
14	181620	-	-	-	1	1	1	AUTOPILOT LINK
15	3460300	1	1	1	1	1	1	1/4" TEE
16	3700248	-	-	-	1	1	1	3/8" BANJO BOLT
17	3700254	-	-	-	1	1	1	3/8" ADAPTOR
18	8131004	1	1	1	1	1	1	3/8" TEST POINT TEE

Spearhead TWIGA PRO

PRO PILOT HYD CONTROL VALVE: 6 BANK TELE + AUTOPILOT – S180028.122

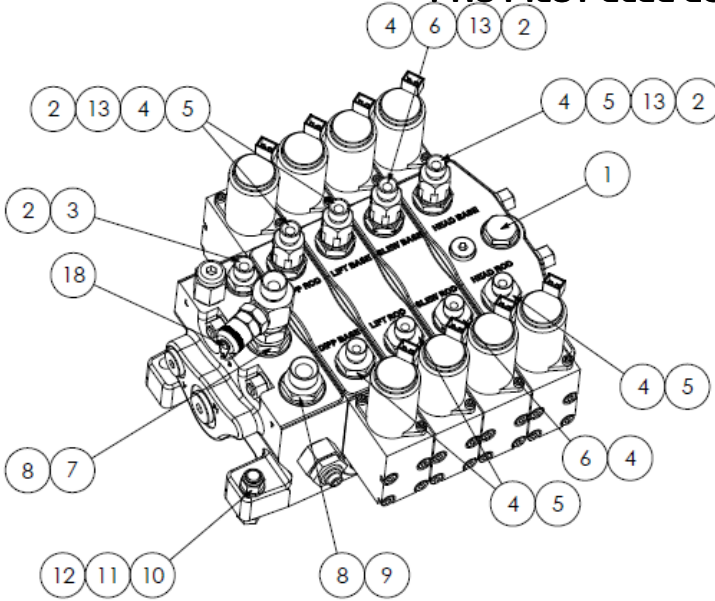


PRO PILOT HYD CONTROL VALVE: 6 BANK VFR + AUTOPILOT – S180028.123

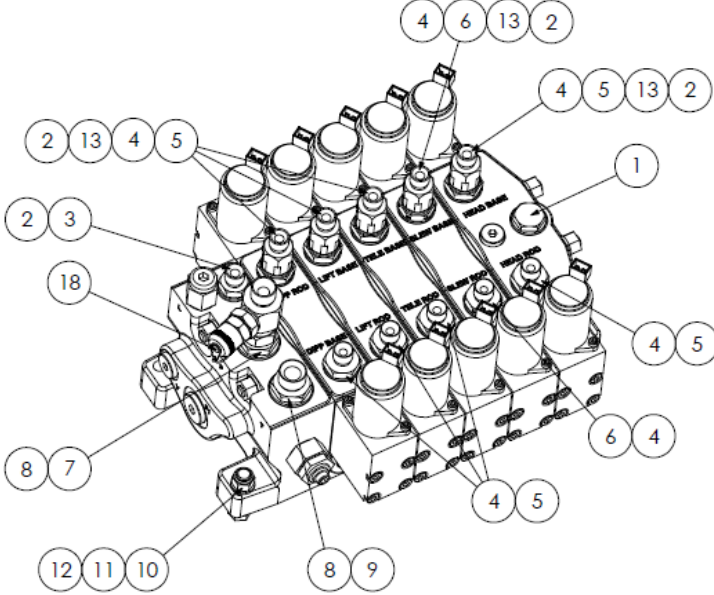


Spearhead TWIGA PRO

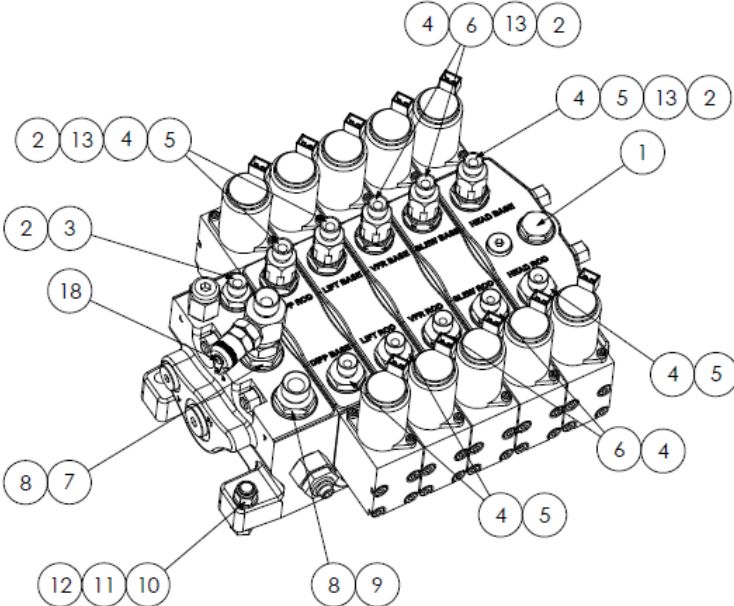
PRO PILOT ELEC CONTROL VALVE: 4 BANK – S180028.61



PRO PILOT ELEC CONTROL VALVE: 5 BANK TELE – S180028.62

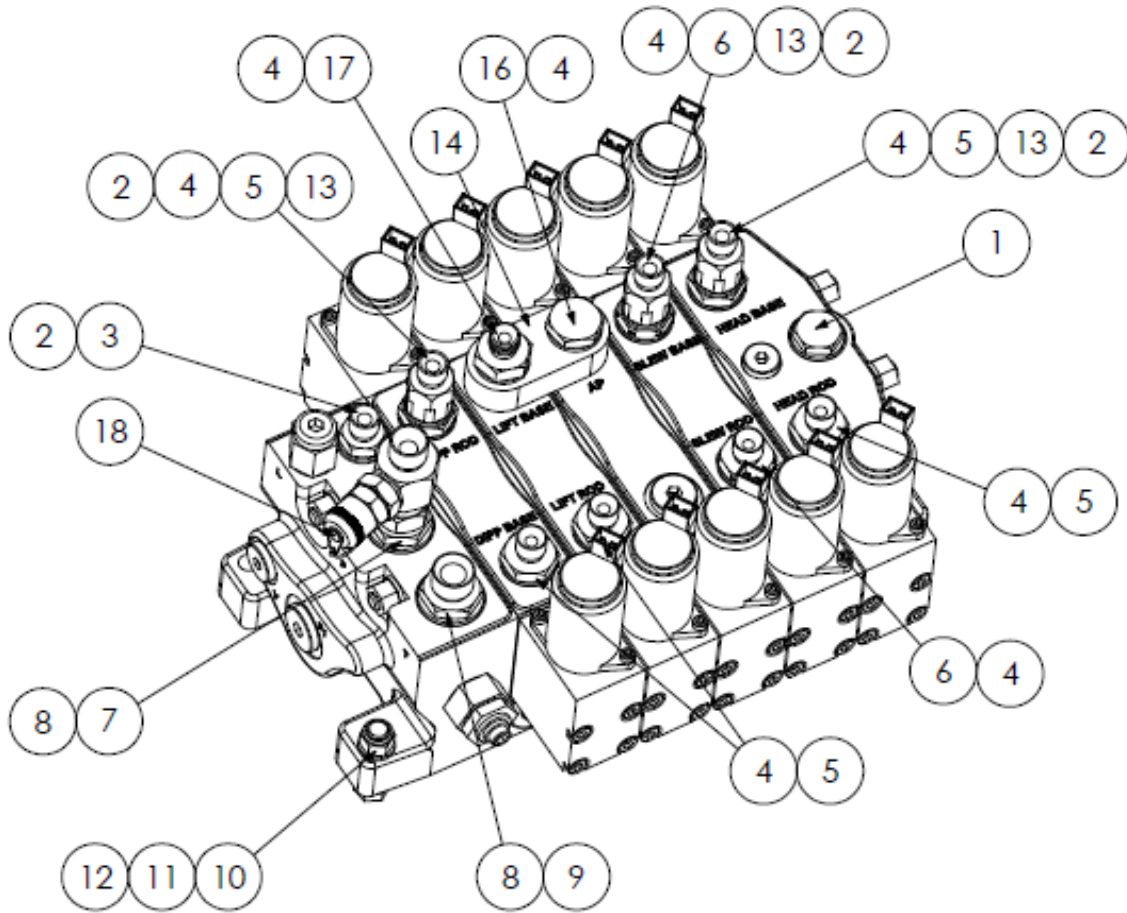


PRO PILOT ELEC CONTROL VALVE: 5 BANK VFR – S180028.63



Spearhead TWIGA PRO

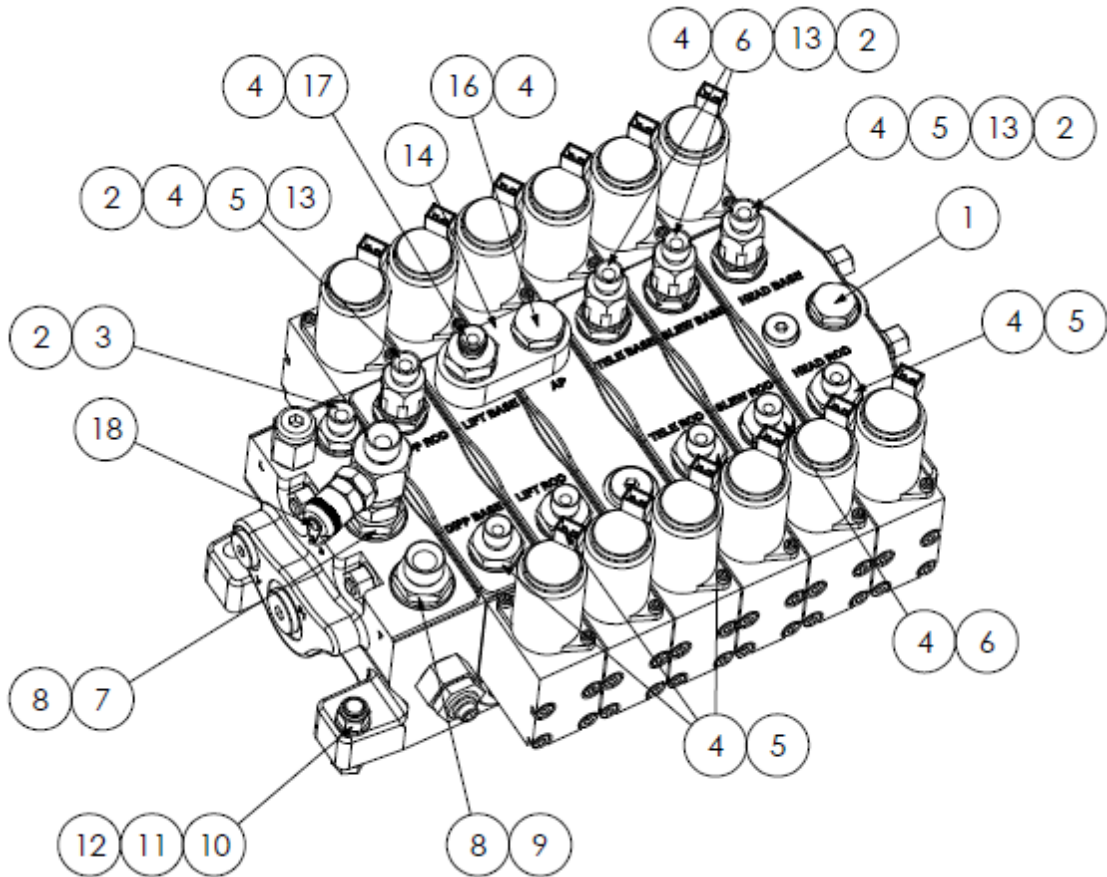
PRO PILOT ELEC CONTROL VALVE: 5 BANK AUTOPILOT – S180028.64



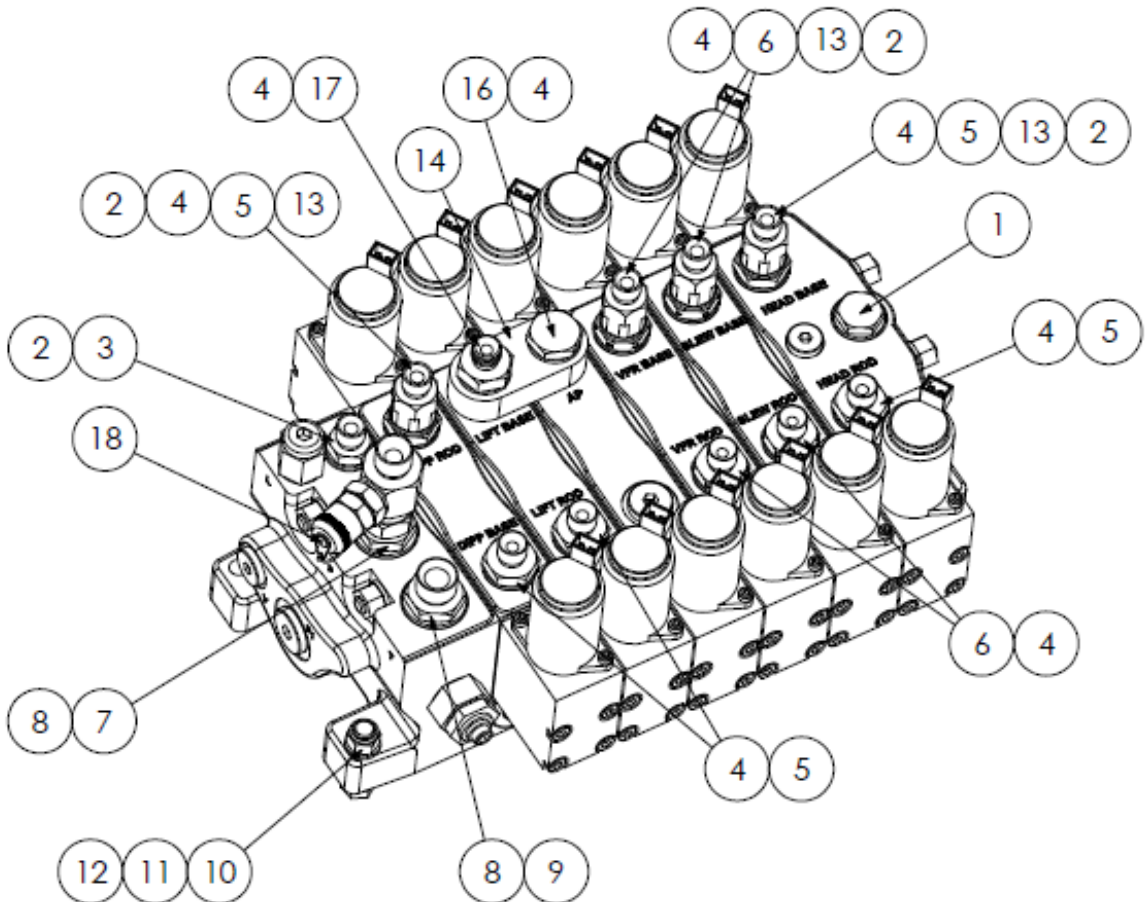
REF NO.	PART NO.	28.61	28.62	28.63	28.64	28.65	28.66	DESCRIPTION
1	3910335	1	-	-	-	-	-	4 BANK VALVE ASSEMBLY
1	3910330	-	1	1	-	-	-	5 BANK VALVE ASSEMBLY
1	3910336	-	-	-	1	-	-	5 BANK VALVE ASSEMBLY
1	3910337	-	-	-	-	1	1	6 BANK VALVE ASSEMBLY
2	3260070	5	6	6	4	5	5	1/4" BONDED SEAL
3	3360080	1	1	1	1	1	1	1/4" M-M
4	3260071	8	10	10	11	13	13	3/8" BONDED SEAL
5	3360083	6	8	6	5	7	5	1/4"-3/8" M-M
6	3360098	2	2	4	2	2	4	1/4"-3/8" M-M R1
7	3360088	1	1	1	1	1	1	3/8"-1/2" M-M
8	3260072	2	2	2	2	2	2	1/2" BONDED SEAL
9	3460301	1	1	1	1	1	1	1/2" M-M
10	05.291.03	4	4	4	4	4	4	M8 X 40 BOLT
11	2770432	4	4	4	4	4	4	M8 FLAT WASHER
12	2770416	4	4	4	4	4	4	M8 NYLOCK
13	3250148	4	5	5	3	4	4	1/4" M-FM FIXED
14	3590005.01	-	-	-	1	1	1	LINK HOSE: 400mm
15	3460300	-	-	-	1	1	1	1/4" TEE
16	3700248	-	-	-	1	1	1	3/8" BANJO BOLT
17	3700254	-	-	-	1	1	1	3/8" ADAPTOR
18	8131004	1	1	1	1	1	1	3/8" TEST POINT TEE

Spearhead TWIGA PRO

PRO PILOT ELEC CONTROL VALVE: 6 BANK TELE + AUTOPILOT – S180028.65

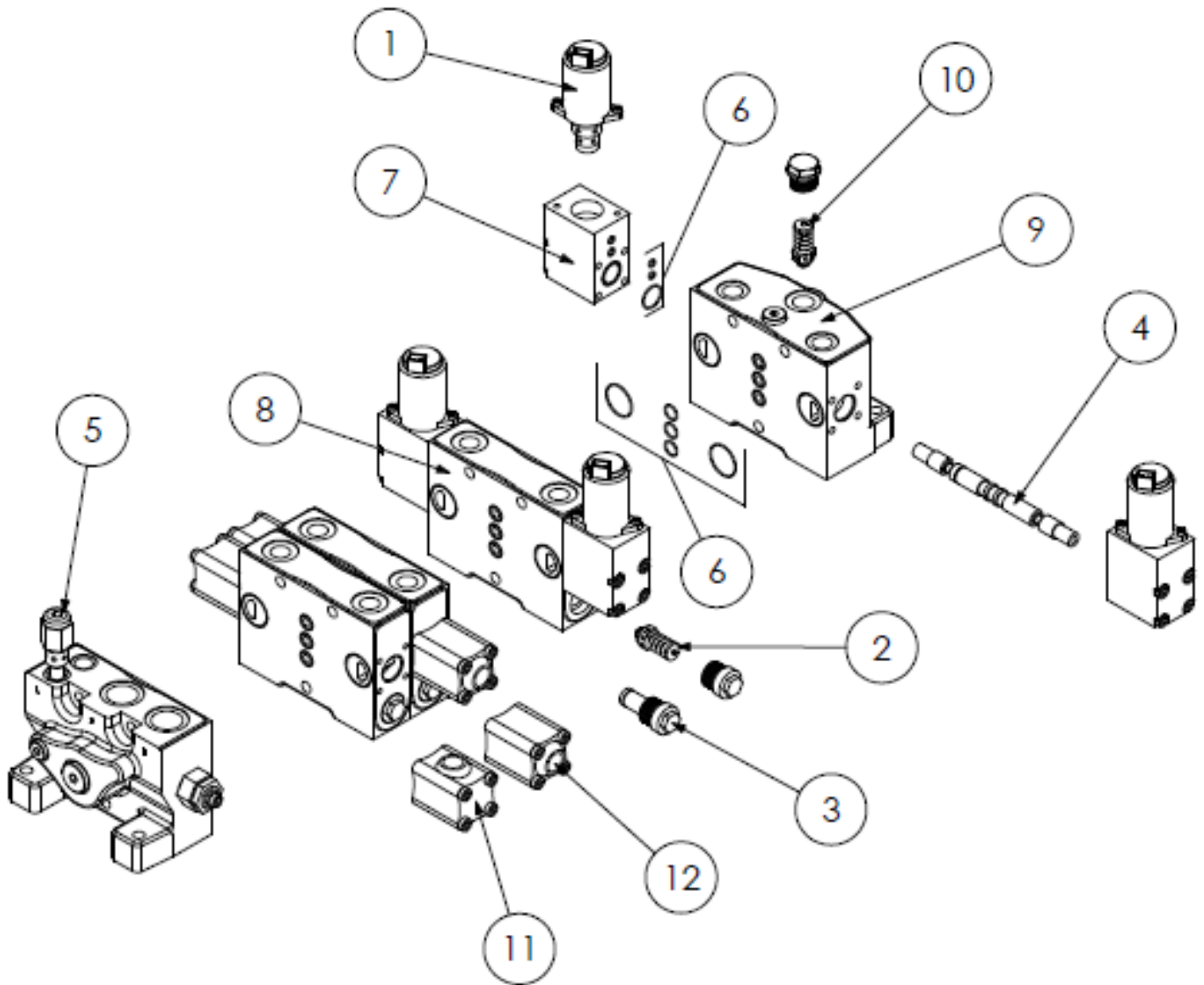


PRO PILOT ELEC CONTROL VALVE: 6 BANK VFR + AUTOPILOT – S180028.66



Spearhead TWIGA PRO

CONTROL VALVE



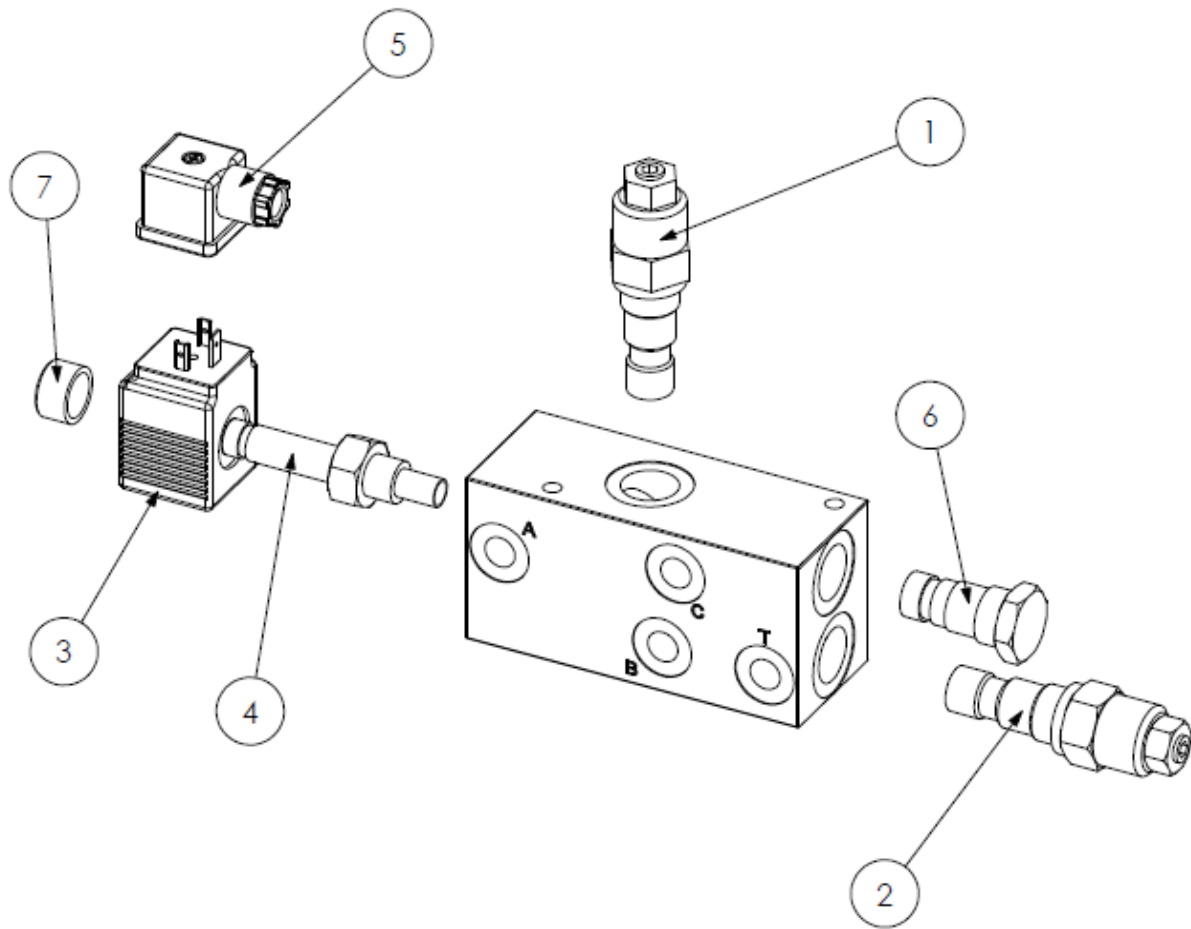
Spearhead TWIGA PRO

CONTROL VALVE

STANDARD 2 SERVICE HYDRAULIC PROPORTIONAL VALVES			
	3910325B		2SV 4 BANK VALVE - STD
	3910299B		2SV 5 BANK VALVE - TELE/VFR
	3910326B		2SV 5 BANK VALVE - AUTOPILOT
	3910327B		2SV 6 BANK VALVE - TELE/VFR + AP
PRO PILOT 3 SERVICE HYDRAULIC PROPORTIONAL VALVES			
	3910331		3SV HYD. 4 BANK VALVE - STD
	3910332		3SV HYD. 5 BANK VALVE - TELE/VFR
	3910333		3SV HYD. 5 BANK VALVE - AUTOPILOT
	3910334		3SV HYD. 6 BANK VALVE - TELE/VFR + AP
PRO PILOT 3 SERVICE ELECTRIC PROPORTIONAL VALVES			
	3910335		3SV HYD. 4 BANK VALVE - STD
	3910336		3SV HYD. 5 BANK VALVE - AUTOPILOT
	3910330		3SV HYD. 5 BANK VALVE - TELE/VFR
	3910337		3SV HYD. 6 BANK VALVE - TELE/VFR + AP
REF NO.	PART NO.	QTY.	DESCRIPTION
1	47645.05	-	ELECTRIC VALVE
2	3910299/6	-	CARTRIDGE VALVE - 175 BAR
2	3910299/7	-	CARTRIDGE VALVE - 250 BAR
2	3910299/11	-	CARTRIDGE VALVE - 25 BAR
2	3910299/12	-	CARTRIDGE VALVE - 50 BAR
2	3910299/16	-	CARTRIDGE VALVE - 100 BAR
2	3910299/17	-	CARTRIDGE VALVE - 210 BAR
3	3910299/10	-	BLANKING PLUG
4	3910299/1	-	DOUBLE ACTING SPOOL: 20-40 l/min
4	3910299/2	-	SPOOL
4	3910299/3	-	SINGLE ACTING SPOOL: 20-40 l/min
4	3910299/4	-	SINGLE ACTING SPOOL: 20-40 l/min
5	3910299/8	-	PRESSURE REDUCING VALVE
6	3910299/9	-	O RING KIT
7	3910299/14	-	SPOOL CAP
8	3910299/15	-	STD DOUBLE ACTING VALVE SECTION
8	3910299/21	-	AUTOPILOT VALVE SECTION
9	3910299/18	-	END SECTION
9	3910299/20	-	END SECTION - C/W FLOAT
10	3910299/19	-	BACK PRESSURE CARTRIDGE - 20 BAR
11	3910299/13	-	TOP EXIT PORT
12	3910299/22	-	SIDE EXIT PORT
	3910299/23	-	SEAL KIT FOR 3910299/8
	3910299/24	-	FLOAT SPOOL SPRING
	3910299/25	-	6 BANK STUD KIT
	3910299/26	-	DIPPER (1st) SLICE
	3910299/27	-	LIFT (2nd) SLICE

Spearhead TWIGA PRO

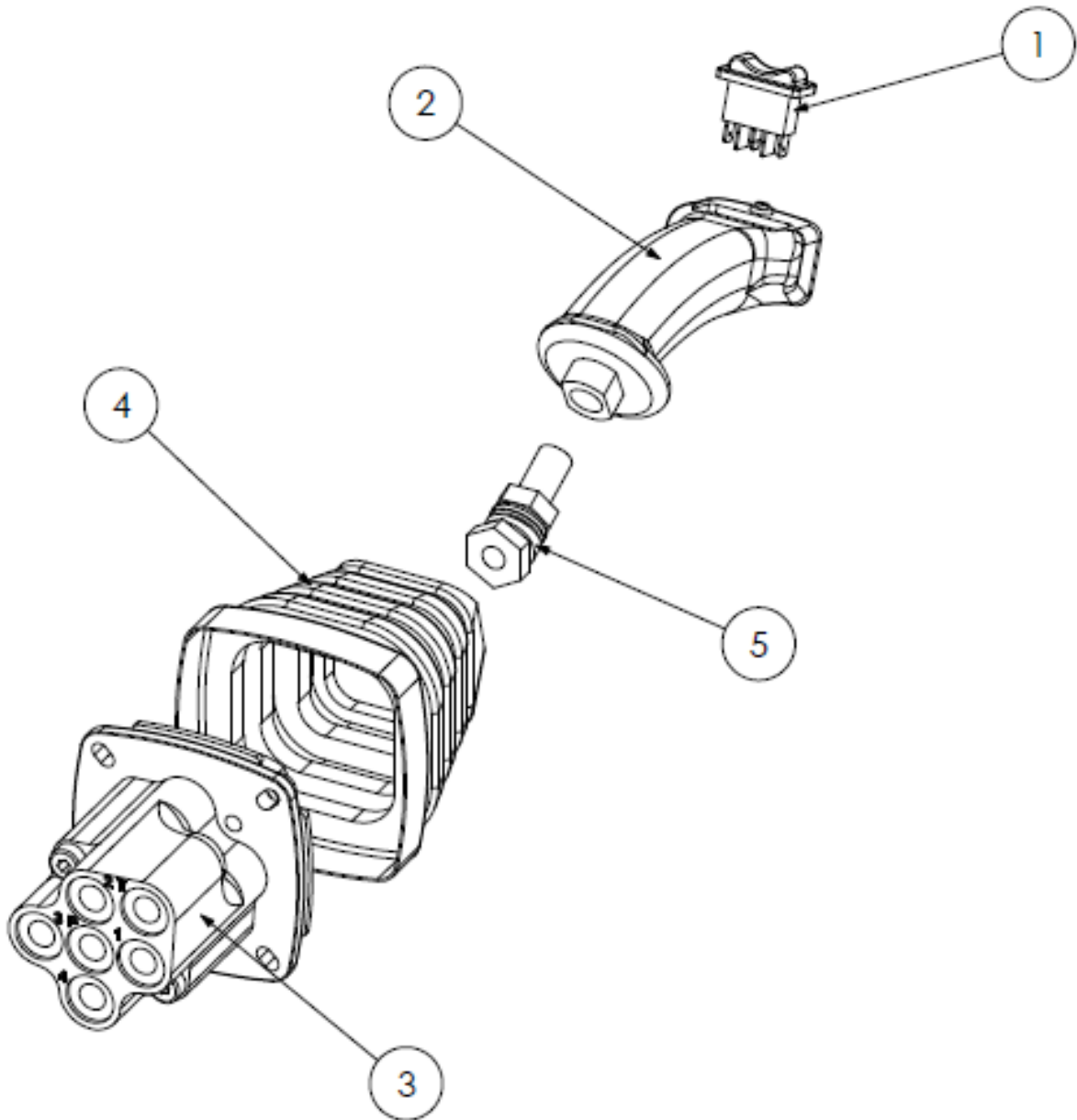
AUTO RESET VALVE - 3610057



REF NO.	PART NO.	QTY.	DESCRIPTION
	3610057	-	VALVE ASSEMBLY
1	3600137	1	SEQUENCE VALVE
2	3600144	1	RELIEF VALVE
3	3610052	1	COIL
4	3610032A	1	SOLENOID CARTRIDGE
5	3610048	1	CONNECTOR
6	3610054	1	PO CHECK CARTRIDGE
7	N/A	1	NUT

Spearhead TWIGA PRO

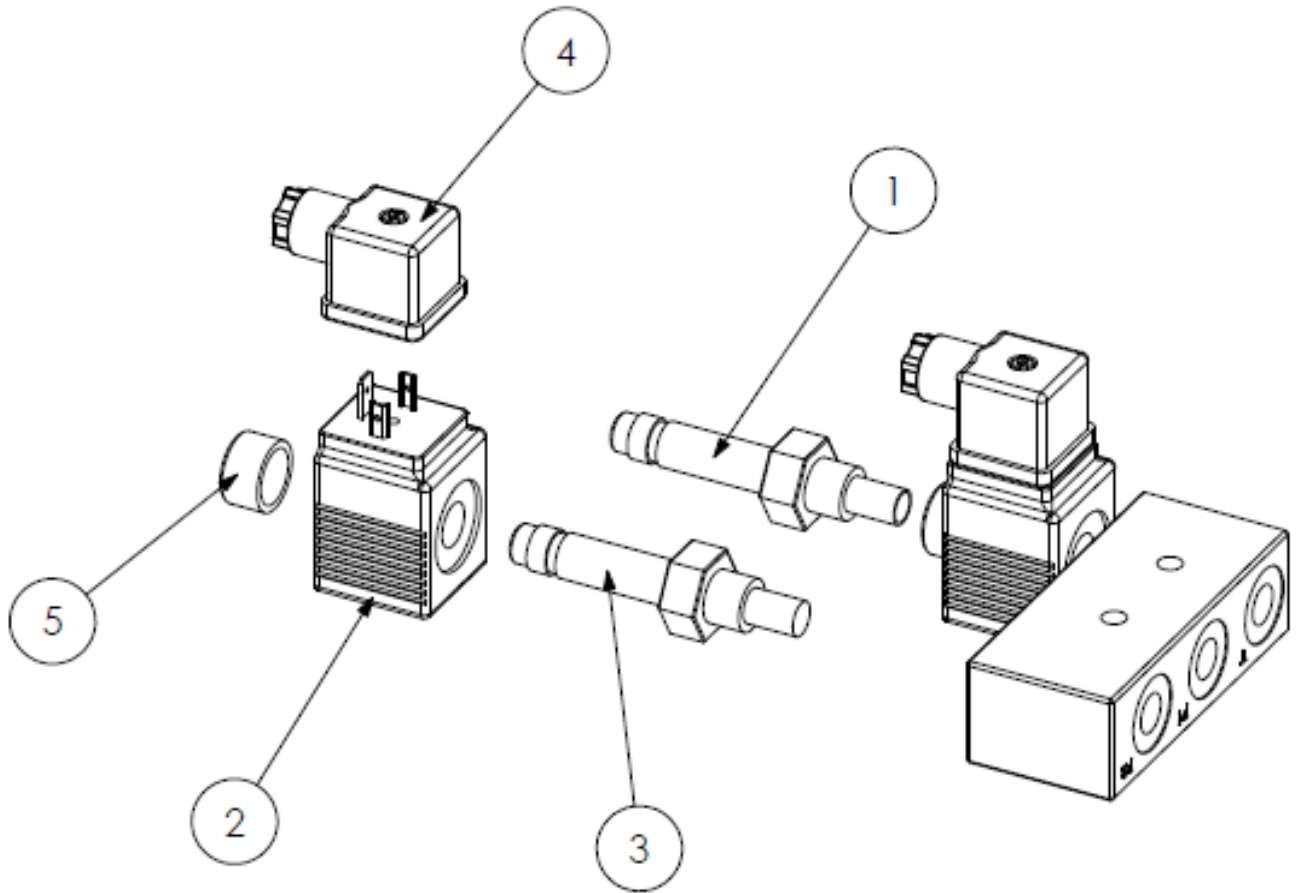
3910229 - JOYSTICK



REF NO.	PART NO.	QTY.	DESCRIPTION
	3910229	-	JOYSTICK ASSEMBLY
1	3910303	1	HEAD ANGLE SWITCH
2	3910225	1	HANDLE ASSEMBLY
3	-	1	BASE
4	3910301	1	GAITER
5	3910271	1	MOUNTING STUD

Spearhead TWIGA PRO

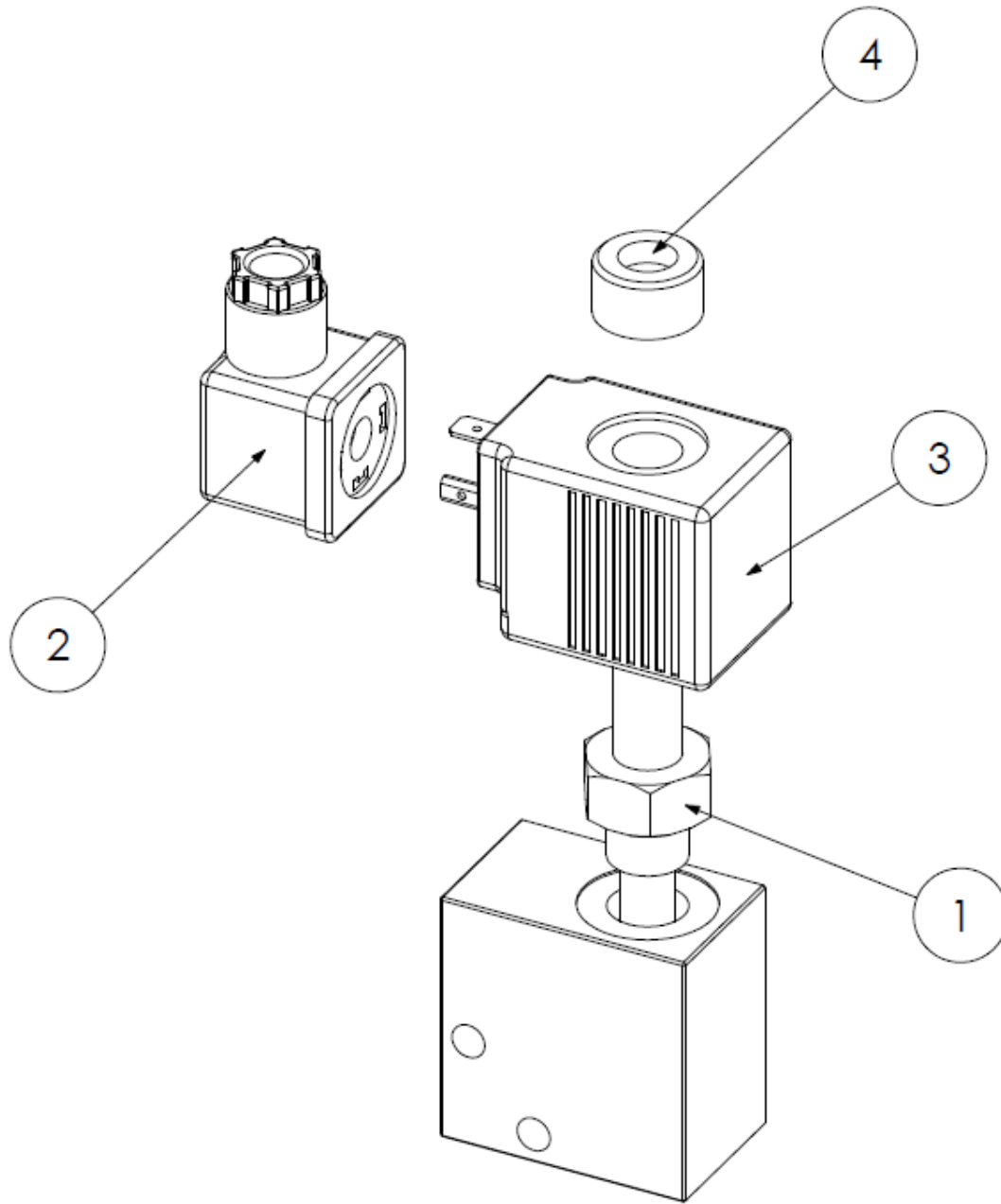
3600132 - HEAD FLOAT VALVE



REF NO.	PART NO.	QTY.	DESCRIPTION
	3600132	-	VALVE ASSEMBLY
1	3600142	1	SOLENOID CARTRIDGE
2	3610030A	2	COIL
3	3610032A	1	SOLENOID CARTRIDGE
4	3610048	2	CONNECTOR
5	N/A	2	NUT

Spearhead TWIGA PRO

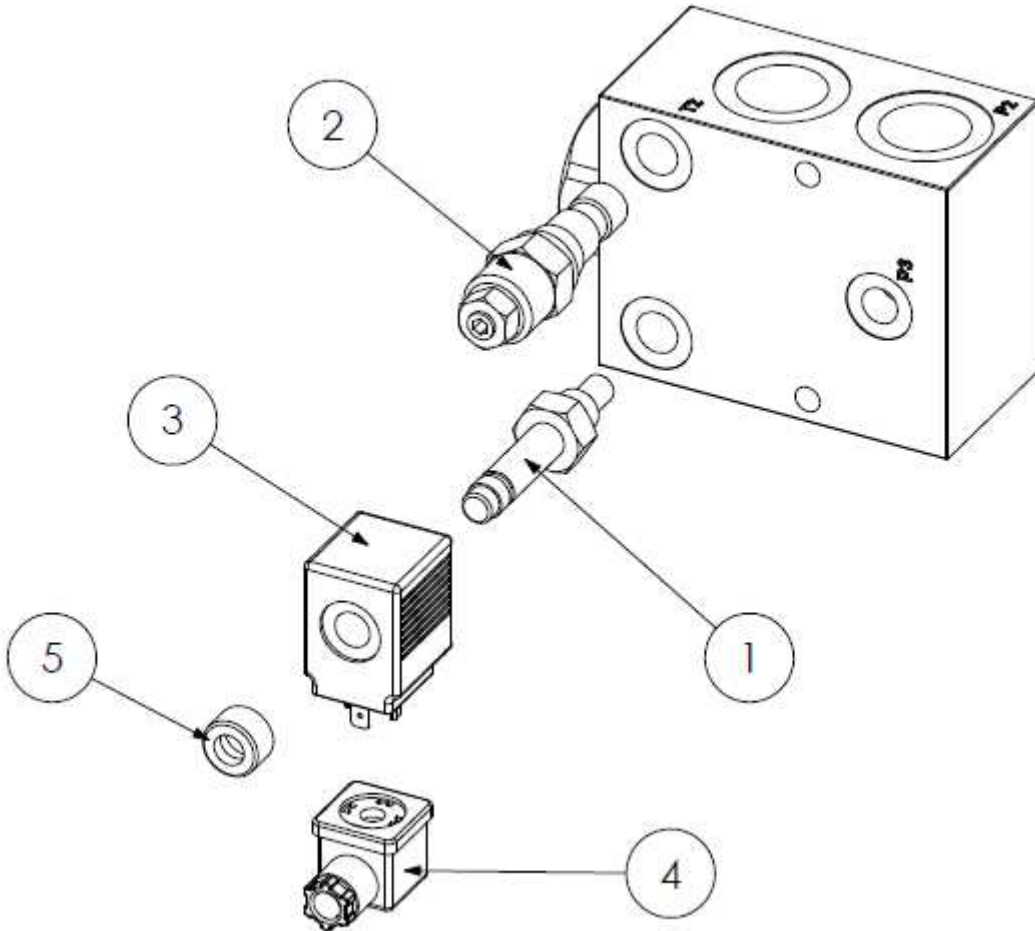
3610053 - ARM FLOAT VALVE



REF NO.	PART NO.	QTY.	DESCRIPTION
	3610053	-	VALVE ASSEMBLY
1	3610036	1	SOLENOID CARTRIDGE
2	3610048	1	CONNECTOR
3	3610052	1	COIL
4	N/A	1	NUT

Spearhead TWIGA PRO

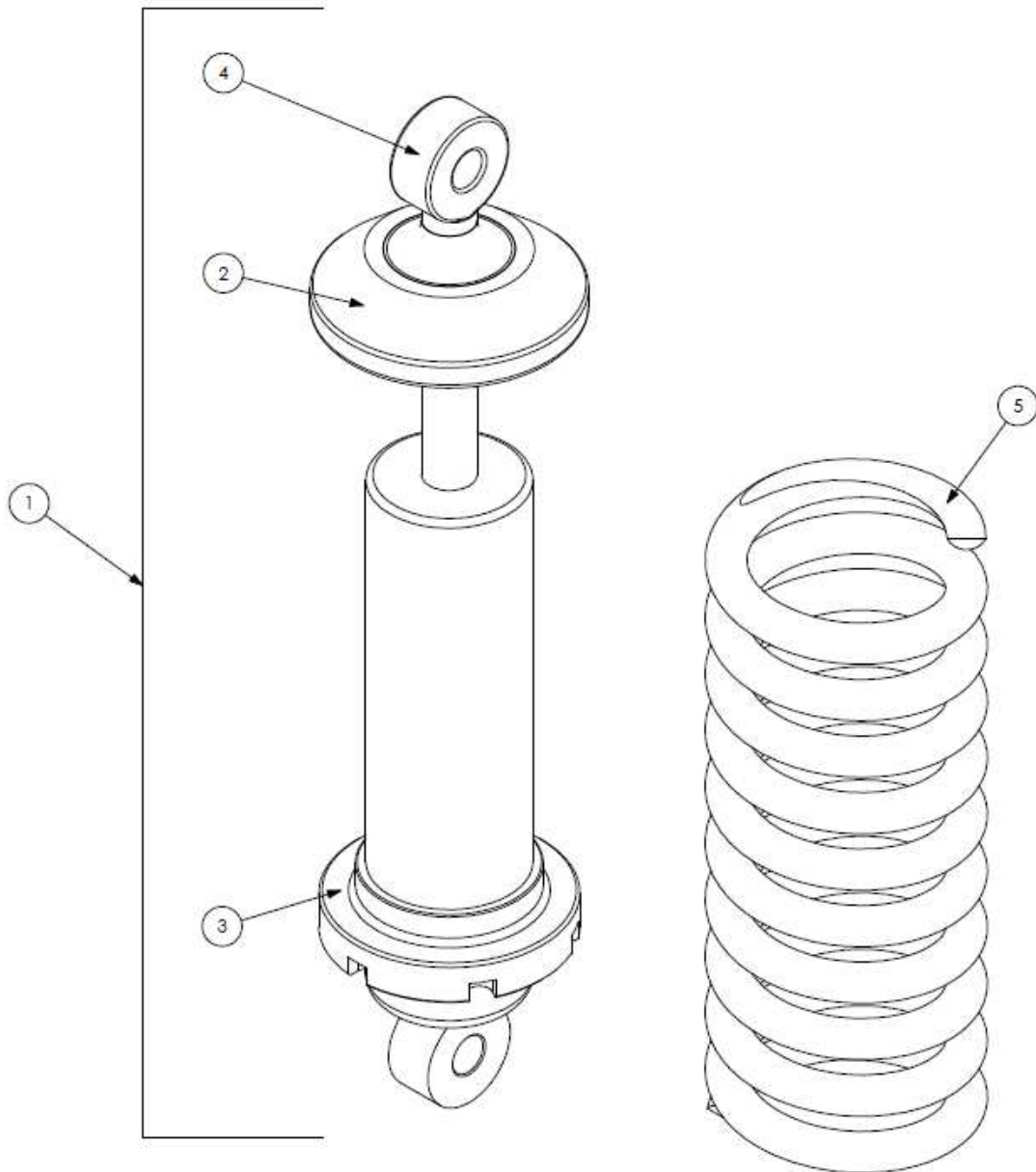
3600099A - LP ELECTRIC ROTOR VALVE
 3600099B - HP ELECTRIC ROTOR VALVE



REF NO.	PART NO.	QTY.	DESCRIPTION
	3600099A	-	VALVE ASSEMBLY - 220 BAR
	3600099B	-	VALVE ASSEMBLY - 300 BAR
1	3600142B	1	SOLENOID CARTRIDGE
2	3600144A	1	RELIEF VALVE
3	3610052	1	COIL
4	3610048	1	CONNECTOR
5	N/A	1	NUT

Spearhead TWIGA PRO

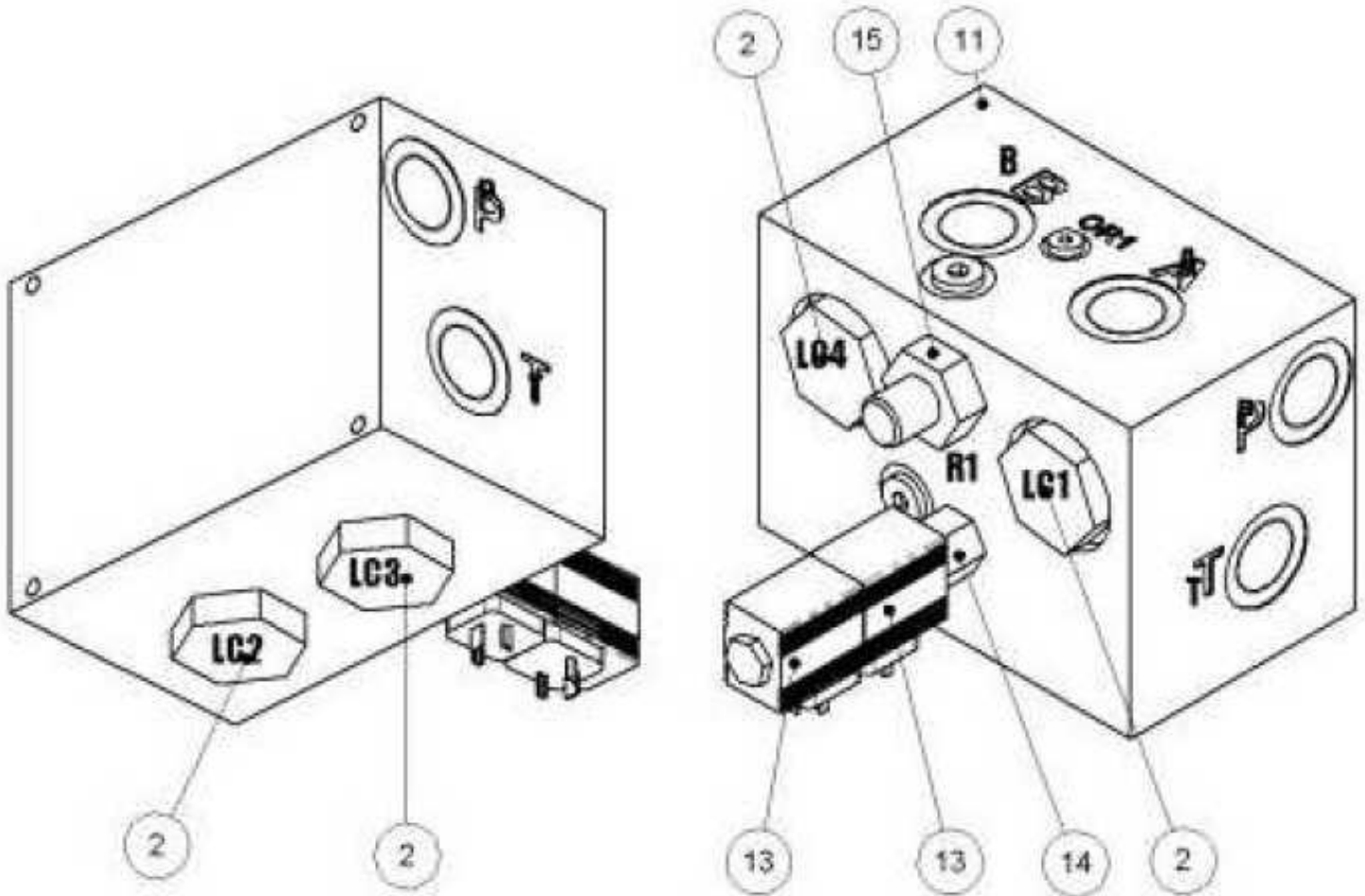
8770600 - SHOCK ABSORBER



REF NO.	PART NO.	QTY.	DESCRIPTION
1	8770600	-	SHOCK ABSORBER (NO SPRING)
2	8770600/1	1	TOP COLLET
3	8770600/2	1	BOTTOM COLLET
4	8770600/3	1	BALL END
5	8770601	1	SPRING

Spearhead TWIGA PRO

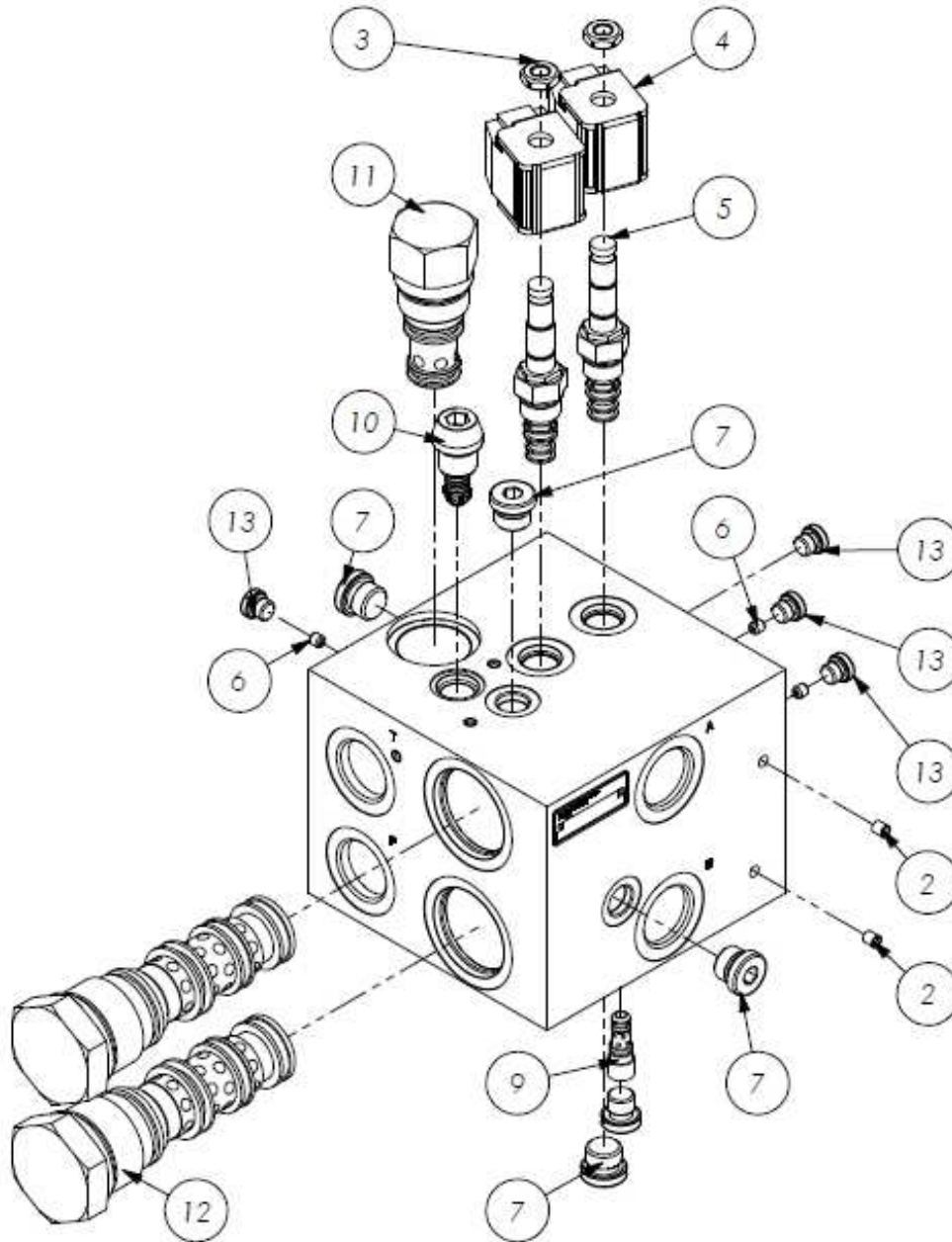
42768.OI - LP ROTOR REVERSE VALVE



REF NO.	PART NO.	QTY.	DESCRIPTION
1	8600920	4	O RING
2	42768.32	4	LOGIC ELEMENT
3	42768.33	1	RELIEF VALVE
4	42768.34	1	CARTRIDGE VALVE
5	42768.35	1	SOLENOID
6	42768.36	1	ORIFICE PLUG
11	42768.40	1	MANIFOLD
12	42768.41	1	RELIEF VALVE
13	42768.43	2	COIL
14	42768.49	1	CARTRIDGE SPOOL VALVE
15	42768.45	1	RELIEF VALVE
16	8699260	1	SEAL KIT

Spearhead TWIGA PRO

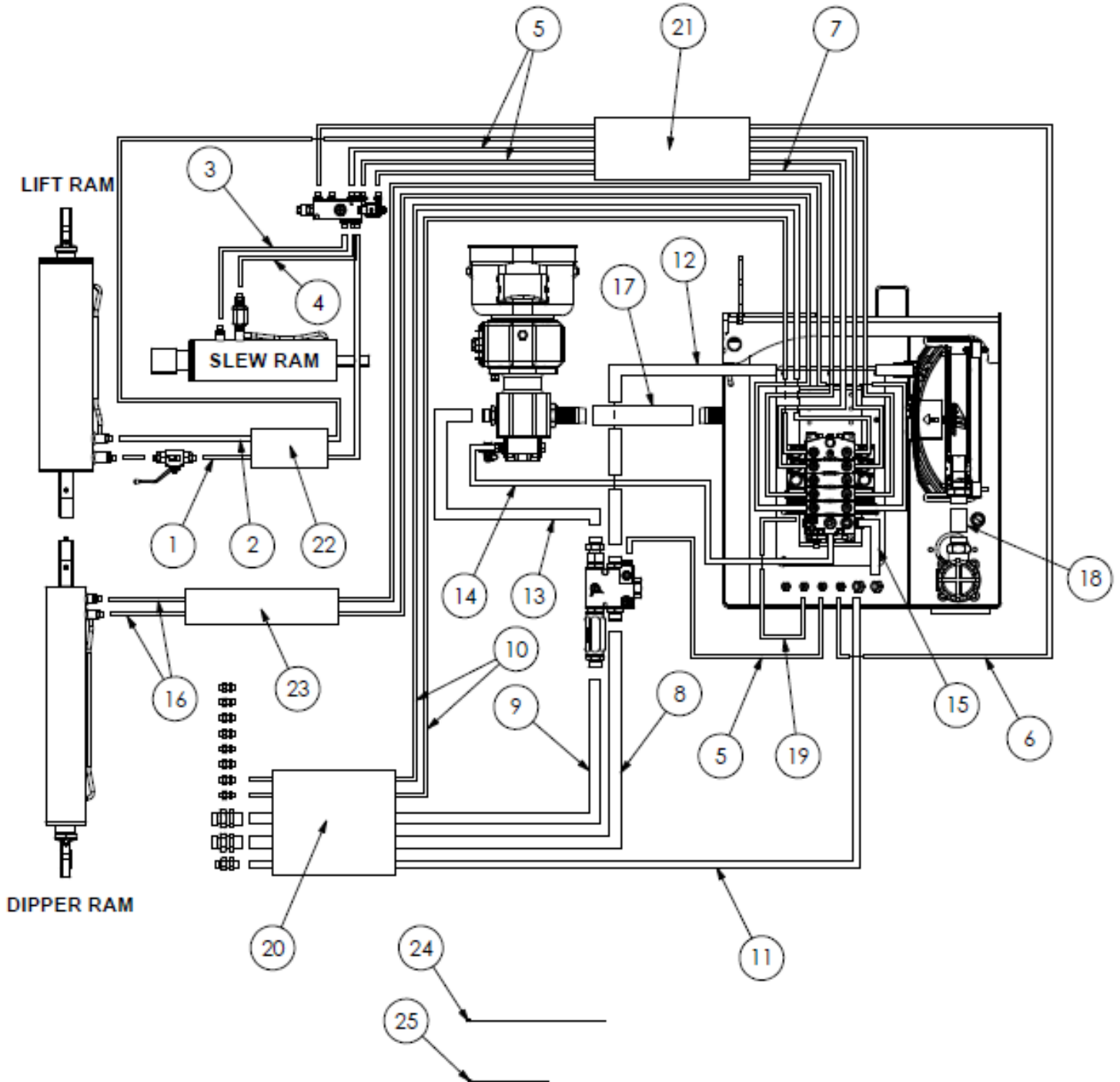
42768.08 - HP ROTOR REVERSE VALVE



REF NO.	PART NO.	QTY.	DESCRIPTION
1	42768.80	1	STEEL MANIFOLD
2	42768.87	9	CORE PLUG
3	42768.88	2	COIL NUT
4	42768.86	2	COIL
5	42768.84	2	SPOOL
6	42768.89	3	ORIFICE PLUG
7	42768.91	4	BLANKING PLUG
8	42768.90	1	BLANKING PLUG
9	42768.83	1	SHUTTLE VALVE
10	42768.81	1	RELIEF VALVE AND PLUG
11	42768.85	1	LOGIC/DIVERTER VALVE
12	42768.82	2	PILOT OPERATED DIRECTIONAL VALVE
13	42768.92	4	BLANKING PLUG

Spearhead TWIGA PRO

LP BASE HOSE KIT - SI80028.51
HP BASE HOSE KIT - SI80028.54



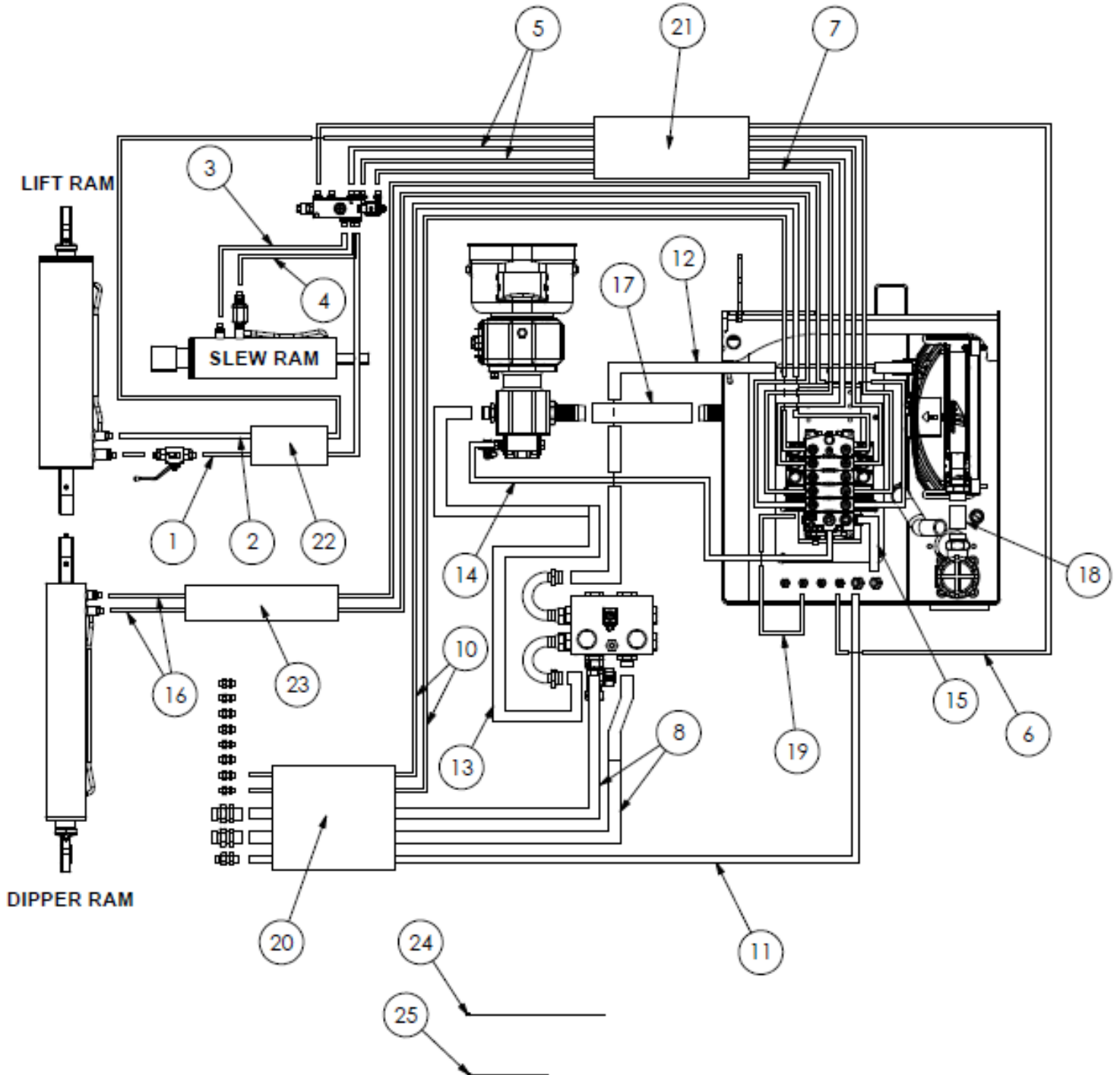
Spearhead TWIGA PRO

LP BASE HOSE KIT - S180028.51
 HP BASE HOSE KIT - S180028.54

REF NO.	PART NO.	QTY. LP	QTY. HP	DESCRIPTION
	3751000	1	-	LP BASE HOSE KIT
	3751003	-	1	HP BASE HOSE KIT
1	3751000.01	1	1	HOSE: 1/4" - 950mm
2	3751000.02	1	1	HOSE: 1/4" - 2380mm
3	3751000.03	1	1	HOSE: 1/4" - 555mm
4	3751000.21	1	1	HOSE: 1/4" - 400mm
5	3751000.05	3	3	HOSE: 1/4" - 1500mm
6	3751000.06	1	1	HOSE: 1/4" - 1590mm
7	3751000.07	1	1	HOSE: 1/4" - 1425mm
8	3751000.08	1	-	HOSE: 1" - 1530mm
8	3751003.05	-	1	HOSE: 1" - 1530mm
9	3751000.09	1	-	HOSE: 1" - 1400mm
9	3751003.06	-	1	HOSE: 1" - 1400mm
10	3751000.10	2	2	HOSE: 1/4" - 3080mm
11	3751000.22	1	1	HOSE: 1/2" - 3200mm
12	3751000.12	1	1	HOSE: 1" - 1200mm
13	3751000.13	1	-	HOSE: 1" - 925mm
13	3751003.02	-	1	HOSE: 1" - 1250mm
14	3751000.14	1	-	HOSE: 3/8" - 1400mm
14	3751003.03	-	1	HOSE: 3/8" - 1400mm
15	3751000.15	1	1	HOSE: 1/2" - 1030mm
16	3751000.16	2	2	HOSE: 1/4" - 3140mm
17	3751000.17	1	-	HOSE: 1 1/2" - 335mm
17	3751003.04	-	1	HOSE: 1 1/2" - 320mm
18	3751000.18	1	1	HOSE: 1 1/4" - 320mm
19	3751000.19	1	1	HOSE: 1/4" - 1000mm
20	43542.20	1	1	HOSE SLEEVE: 1500mm LRG
21	43542.11	1	1	HOSE SLEEVE: 700mm LRG
22	43543.14	1	1	HOSE SLEEVE: 900mm SM
23	43543.18	1	1	HOSE SLEEVE: 2900mm SM
24	06.023.01	15	15	CABLE TIE - LRG
25	30.058.66	10	10	CABLE TIE - SM

Spearhead TWIGA PRO

LP ROTOR REVERSE BASE HOSE KIT - S180028.81
HP ROTOR REVERSE BASE HOSE KIT - S180028.82



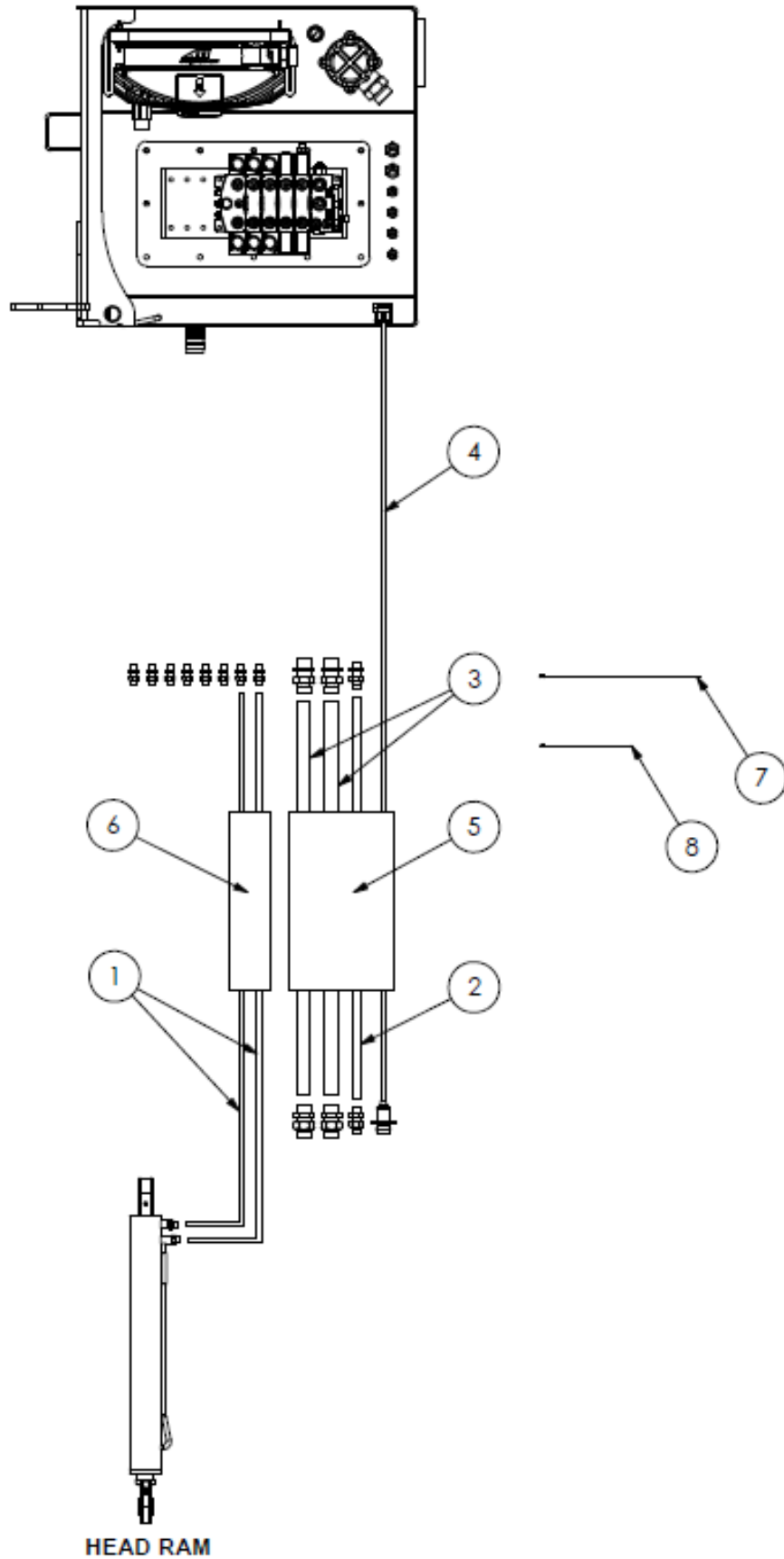
Spearhead TWIGA PRO

LP ROTOR REVERSE BASE HOSE KIT - S180028.81
 HP ROTOR REVERSE BASE HOSE KIT - S180028.82

REF NO.	PART NO.	QTY. LP	QTY. HP	DESCRIPTION
	3751002	1	-	LP RR BASE HOSE KIT
	3751004	-	1	HP RR BASE HOSE KIT
1	3751000.01	1	1	HOSE: 1/4" - 950mm
2	3751000.02	1	1	HOSE: 1/4" - 2380mm
3	3751000.03	1	1	HOSE: 1/4" - 555mm
4	3751000.21	1	1	HOSE: 1/4" - 400mm
5	3751000.05	2	2	HOSE: 1/4" - 1500mm
6	3751000.06	1	1	HOSE: 1/4" - 1590mm
7	3751000.07	1	1	HOSE: 1/4" - 1425mm
8	3751000.08	2	-	HOSE: 1" - 1530mm
8	3751003.05	-	2	HOSE: 1" - 1530mm
10	3751000.10	2	2	HOSE: 1/4" - 3080mm
11	3751000.22	1	1	HOSE: 1/2" - 3200mm
12	3751002.01	1	-	HOSE: 1" - 1350mm
12	3751004.01	-	1	HOSE: 1" - 1350mm
13	3751002.02	1	-	HOSE: 1" - 850mm
13	3751004.02	-	1	HOSE: 1" - 1250mm
14	3751000.14	1	-	HOSE: 3/8" - 1400mm
14	3751003.03	-	1	HOSE: 3/8" - 1400mm
15	3751000.15	1	1	HOSE: 1/2" - 1030mm
16	3751000.16	2	2	HOSE: 1/4" - 3140mm
17	3751000.17	1	-	HOSE: 1 1/2" - 335mm
17	3751003.04	-	1	HOSE: 1 1/2" - 320mm
18	3751000.18	1	1	HOSE: 1 1/4" - 320mm
19	3751000.19	1	1	HOSE: 1/4" - 1000mm
20	43542.20	1	1	HOSE SLEEVE: 1500mm LRG
21	43542.11	1	1	HOSE SLEEVE: 700mm LRG
22	43543.14	1	1	HOSE SLEEVE: 900mm SM
23	43543.18	1	1	HOSE SLEEVE: 2900mm SM
24	06.023.01	15	15	CABLE TIE - LRG
25	30.058.66	10	10	CABLE TIE - SM

Spearhead TWIGA PRO

- LH LP 560 ARM HOSE KIT - S180028.31
- RH LP 560 ARM HOSE KIT - S180028.85
- LH HP 560 ARM HOSE KIT - S180028.87
- RH HP 560 ARM HOSE KIT - S180028.96



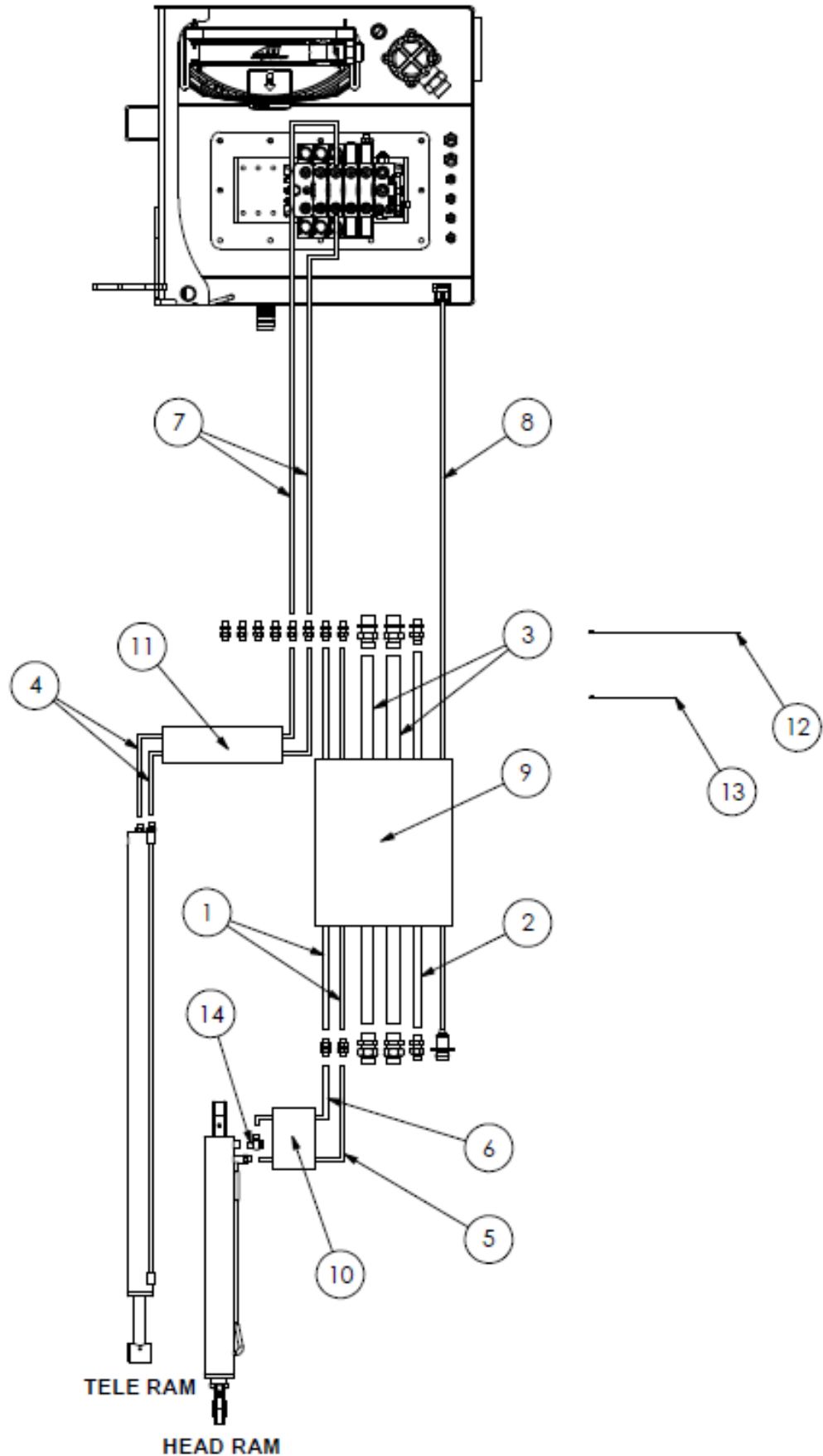
Spearhead TWIGA PRO

LH LP 560 ARM HOSE KIT - S180028.31
 RH LP 560 ARM HOSE KIT - S180028.85
 LH HP 560 ARM HOSE KIT - S180028.87
 RH HP 560 ARM HOSE KIT - S180028.96

REF NO.	PART NO.	28.31	28.85	28.87	28.96	DESCRIPTION
	3751040	1	-	-	-	LH LP 560 ARM HOSE KIT
	3751041	-	1	-	-	RH LP 560 ARM HOSE KIT
	3751042	-	-	1	-	LH HP 560 ARM HOSE KIT
	3751043	-	-	-	1	RH HP 560 ARM HOSE KIT
1	3751040.01	2	2	2	2	HOSE: 1/4" - 3610mm
2	3751040.02	1	1	-	-	HOSE: 1/2" - 4110mm
2	3751041.01	-	-	1	1	HOSE: 1/2" - 4110mm
3	3751040.03	2	-	-	-	HOSE: 1" - 4110mm
3	3751041.02	-	2	-	-	HOSE: 1" - 4110mm
3	3751042.01	-	-	2	-	HOSE: 1" - 4110mm
3	3751043.01	-	-	-	2	HOSE: 1" - 4110mm
4	8770780	1	1	1	1	ARM LOOM
5	3870400	3	3	3	3	HOSE SLEEVE: 4000mm LRG
6	43543.16	1	1	1	1	HOSE SLEEVE: 2500mm SM
7	06.023.01	10	10	10	10	CABLE TIE - LRG
8	30.058.66	5	5	5	5	CABLE TIE - SM

Spearhead TWIGA PRO

- LH LP 650T ARM HOSE KIT - S180028.32
- RH LP 650T ARM HOSE KIT - S180028.88
- LH HP 650T ARM HOSE KIT - S180028.93
- RH HP 650T ARM HOSE KIT - S180028.124



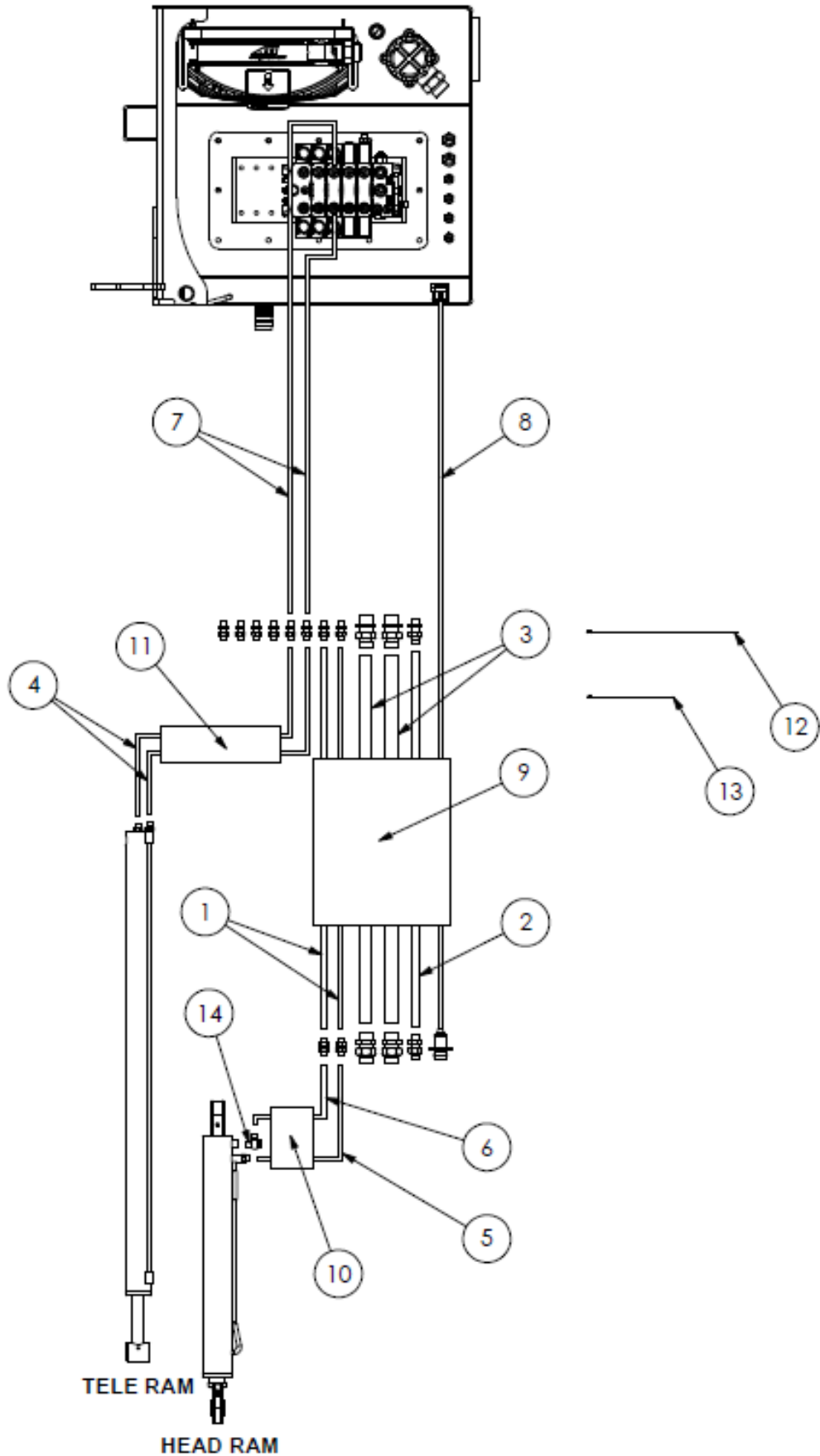
Spearhead TWIGA PRO

LH LP 650T ARM HOSE KIT - S180028.32
 RH LP 650T ARM HOSE KIT - S180028.88
 LH HP 650T ARM HOSE KIT - S180028.93
 RH HP 650T ARM HOSE KIT - S180028.124

REF NO.	PART NO.	28.32	28.88	28.93	28.124	DESCRIPTION
	3751044	1	-	-	-	LH LP 650T ARM HOSE KIT
	3751045	-	1	-	-	RH LP 650T ARM HOSE KIT
	3751046	-	-	1	-	LH HP 650T ARM HOSE KIT
	3751047	-	-	-	1	RH HP 650T ARM HOSE KIT
1	3751044.01	2	2	2	2	HOSE: 1/4" - 4980mm
2	3751044.02	1	-	1	-	HOSE: 1/2" - 5050mm
2	3751045.01	-	1	-	1	HOSE: 1/2" - 5050mm
3	3751044.03	2	-	-	-	HOSE: 1" - 5050mm
3	3751045.02	-	2	-	-	HOSE: 1" - 5050mm
3	3751046.01	-	-	2	-	HOSE: 1" - 5050mm
3	3751047.01	-	-	-	2	HOSE: 1" - 5050mm
4	3751044.04	2	2	2	2	HOSE: 1/4" - 2765mm
5	3751044.05	1	1	1	1	HOSE: 1/4" - 550mm
6	3751044.06	1	1	1	1	HOSE: 1/4" - 550mm
7	3751000.10	2	2	2	2	HOSE: 1/4" - 3080mm
8	8770780	1	1	1	1	ARM LOOM
9	3870401	3	3	3	3	HOSE SLEEVE: 5000mm LRG
10	43543.06	1	1	1	1	HOSE SLEEVE: 500mm SM
11	43543.16	1	1	1	1	HOSE SLEEVE: 2500mm SM
12	06.023.01	10	10	10	10	CABLE TIE - LRG
13	30.058.66	5	5	5	5	CABLE TIE - SM
14	3460118	1	1	1	1	1/4" BANJO ASSEMBLY

Spearhead TWIGA PRO

- LH LP 700T ARM HOSE KIT - S180028.33
- RH LP 700T ARM HOSE KIT - S180028.89
- LH HP 700T ARM HOSE KIT - S180028.94
- RH HP 700T ARM HOSE KIT - S180028.125



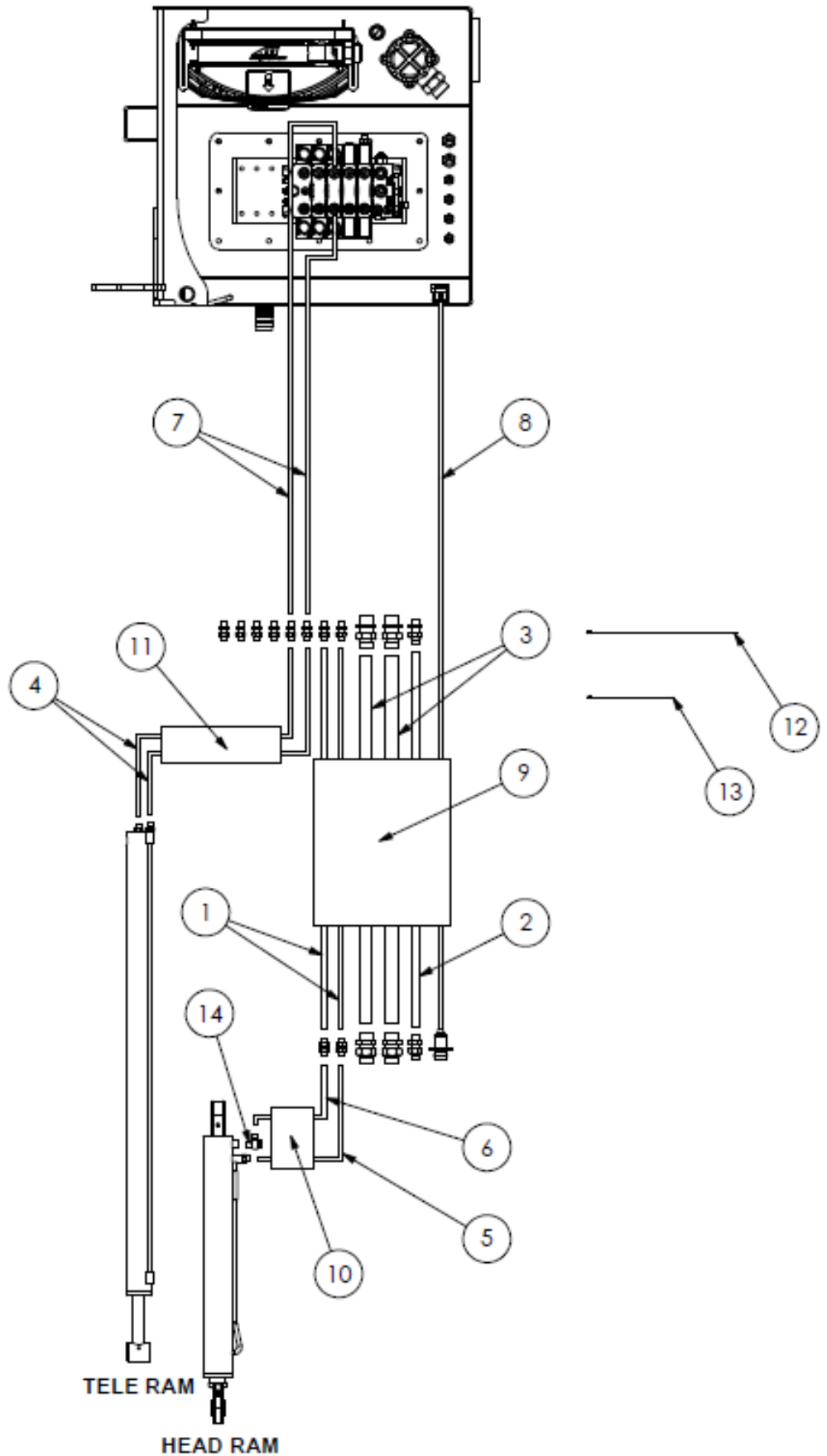
Spearhead TWIGA PRO

LH LP 700T ARM HOSE KIT - S180028.33
 RH LP 700T ARM HOSE KIT - S180028.89
 LH HP 700T ARM HOSE KIT - S180028.94
 RH HP 700T ARM HOSE KIT - S180028.125

REF NO.	PART NO.	28.33	28.89	28.94	28.125	DESCRIPTION
	3751048	1	-	-	-	LH LP 700T ARM HOSE KIT
	3751049	-	1	-	-	RH LP 700T ARM HOSE KIT
	3751050	-	-	1	-	LH HP 700T ARM HOSE KIT
	3751051	-	-	-	1	RH HP 700T ARM HOSE KIT
1	3751048.01	2	2	2	2	HOSE: 1/4" - 5280mm
2	3751048.02	1	-	1	-	HOSE: 1/2" - 5350mm
2	3751049.01	-	1	-	1	HOSE: 1/2" - 5350mm
3	3751048.03	2	-	-	-	HOSE: 1" - 5350mm
3	3751049.02	-	2	-	-	HOSE: 1" - 5350mm
3	3751050.01	-	-	2	-	HOSE: 1" - 5350mm
3	3751051.01	-	-	-	2	HOSE: 1" - 5350mm
4	3751044.04	2	2	2	2	HOSE: 1/4" - 2765mm
5	3751044.05	1	1	1	1	HOSE: 1/4" - 550mm
6	3751044.06	1	1	1	1	HOSE: 1/4" - 550mm
7	3751000.10	2	2	2	2	HOSE: 1/4" - 3080mm
8	8770781	1	1	1	1	ARM LOOM
9	3870402	3	3	3	3	HOSE SLEEVE: 5300mm LRG
10	43543.06	1	1	1	1	HOSE SLEEVE: 500mm SM
11	43543.16	1	1	1	1	HOSE SLEEVE: 2500mm SM
12	06.023.01	10	10	10	10	CABLE TIE - LRG
13	30.058.66	5	5	5	5	CABLE TIE - SM
14	3460118	1	1	1	1	1/4" BANJO ASSEMBLY

Spearhead TWIGA PRO

- LH LP 800T ARM HOSE KIT - S180028.34
- RH LP 800T ARM HOSE KIT - S180028.90
- LH HP 800T ARM HOSE KIT - S180028.95
- RH HP 800T ARM HOSE KIT - S180028.126



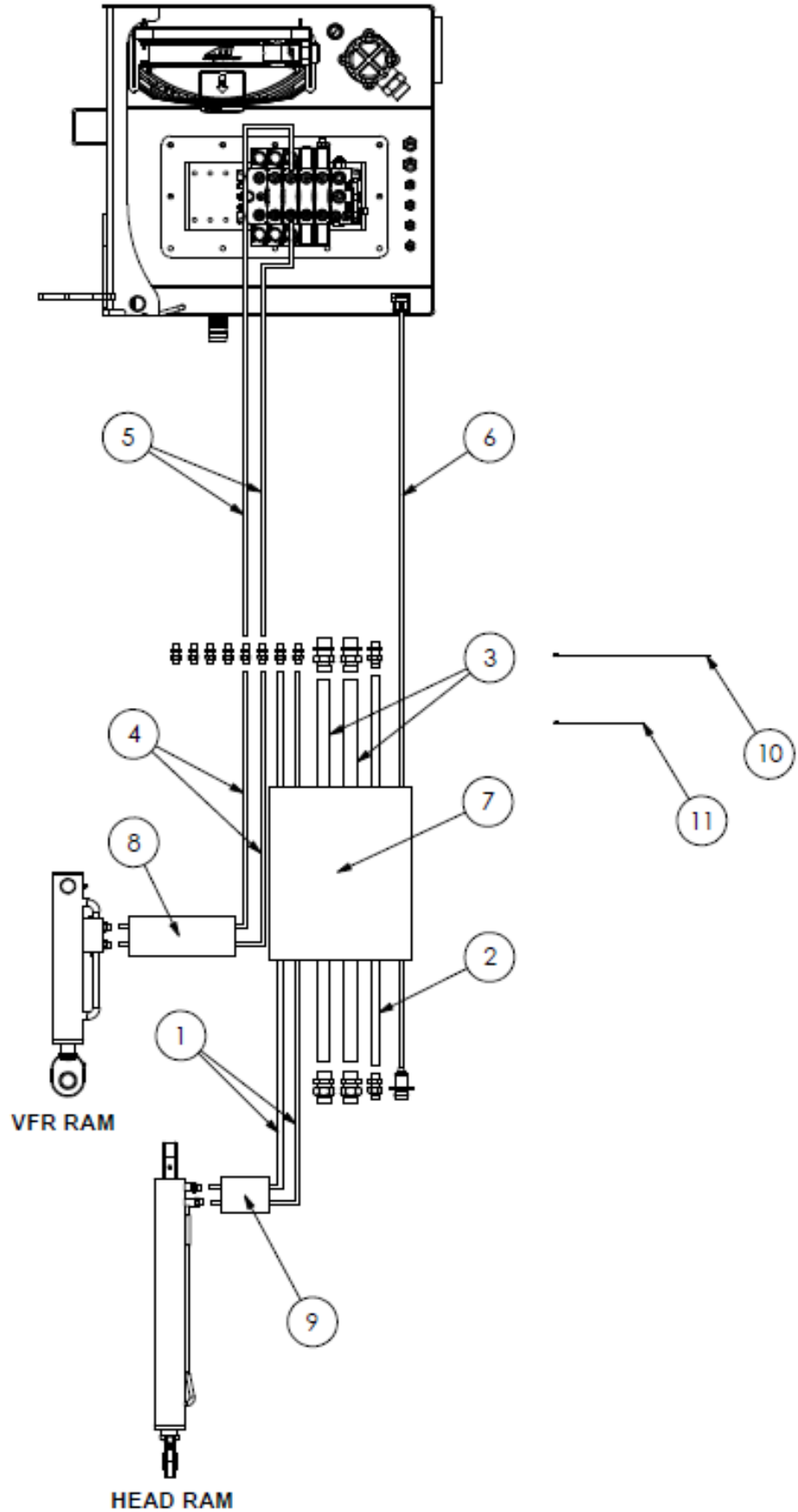
Spearhead TWIGA PRO

LH LP 800T ARM HOSE KIT - S180028.34
 RH LP 800T ARM HOSE KIT - S180028.90
 LH HP 800T ARM HOSE KIT - S180028.95
 RH HP 800T ARM HOSE KIT - S180028.126

REF NO.	PART NO.	28.34	28.60	28.95	28.126	DESCRIPTION
	3751052	1	-	-	-	LH LP 800T ARM HOSE KIT
	3751053	-	1	-	-	RH LP 800T ARM HOSE KIT
	3751054	-	-	1	-	LH HP 800T ARM HOSE KIT
	3751055	-	-	-	1	RH HP 800T ARM HOSE KIT
1	3751052.01	2	2	2	2	HOSE: 1/4" - 6180mm
2	3751052.02	1	-	1	-	HOSE: 1/2" - 6250mm
2	3751053.01	-	1	-	1	HOSE: 1/2" - 6250mm
3	3751052.03	2	-	-	-	HOSE: 1" - 6250mm
3	3751053.02	-	2	-	-	HOSE: 1" - 6250mm
3	3751054.01	-	-	2	-	HOSE: 1" - 6250mm
3	3751055.01	-	-	-	2	HOSE: 1" - 6250mm
4	3751044.04	2	2	2	2	HOSE: 1/4" - 2765mm
5	3751044.05	1	1	1	1	HOSE: 1/4" - 550mm
6	3751044.06	1	1	1	1	HOSE: 1/4" - 550mm
7	3751000.10	2	2	2	2	HOSE: 1/4" - 3080mm
8	8770787	1	1	1	1	ARM LOOM
9	3870403	3	3	3	3	HOSE SLEEVE: 6200mm LRG
10	43543.06	1	1	1	1	HOSE SLEEVE: 500mm SM
11	43543.16	1	1	1	1	HOSE SLEEVE: 2500mm SM
12	06.023.01	10	10	10	10	CABLE TIE - LRG
13	30.058.66	5	5	5	5	CABLE TIE - SM
14	3460118	1	1	1	1	1/4" BANJO ASSEMBLY

Spearhead TWIGA PRO

- LH LP 600VFR ARM HOSE KIT - S180028.99
- RH LP 600VFR ARM HOSE KIT - S180028.100
- LH HP 600VFR ARM HOSE KIT - S180028.101
- RH HP 600VFR ARM HOSE KIT - S180028.127



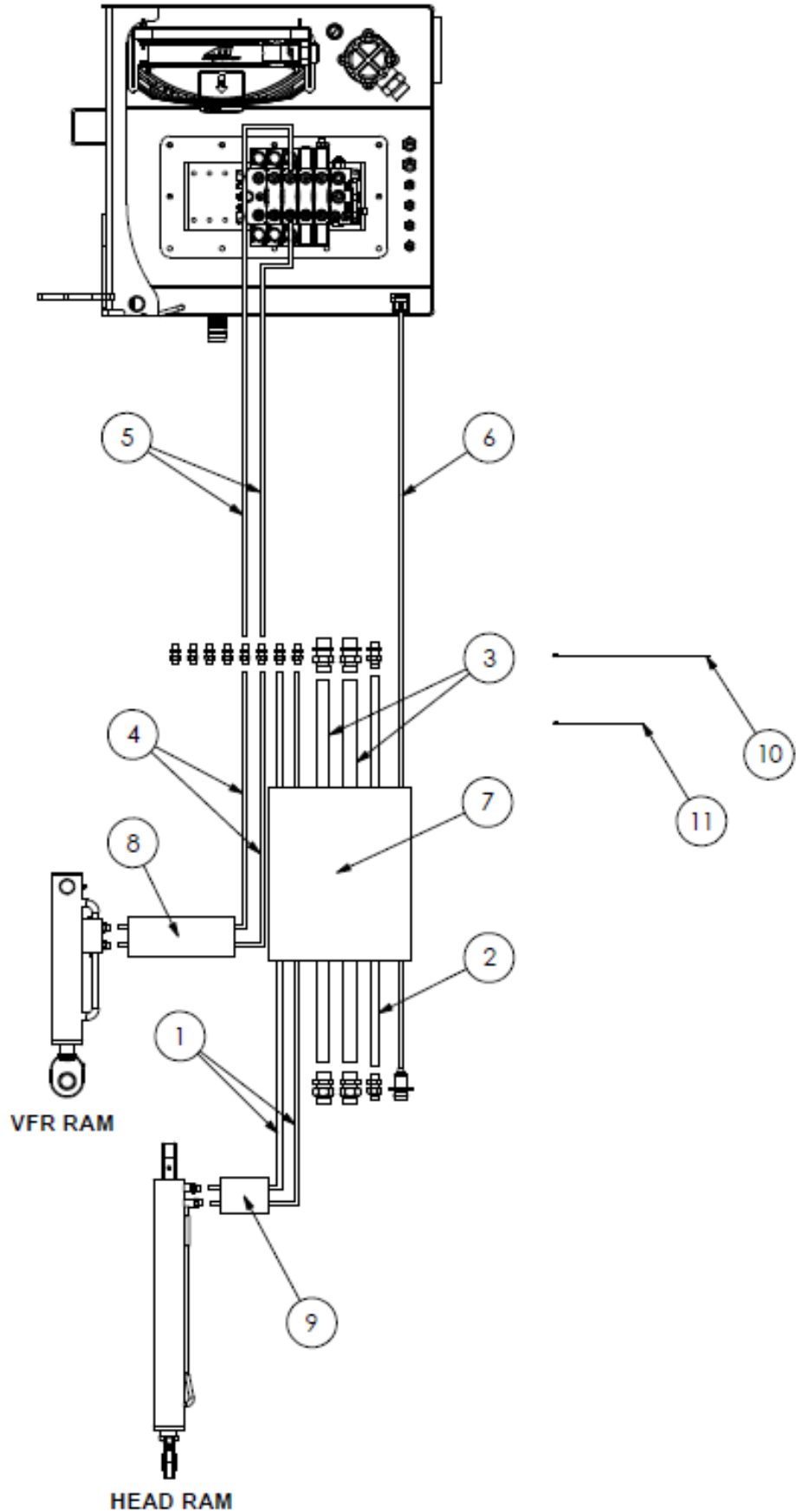
Spearhead TWIGA PRO

LH LP 600VFR ARM HOSE KIT - S180028.99
 RH LP 600VFR ARM HOSE KIT - S180028.100
 LH HP 600VFR ARM HOSE KIT - S180028.101
 RH HP 600VFR ARM HOSE KIT - S180028.127

REF NO.	PART NO.	28.99	28.100	28.101	28.127	DESCRIPTION
	3751056	1	-	-	-	LH LP 600VFR ARM HOSE KIT
	3751057	-	1	-	-	RH LP 600VFR ARM HOSE KIT
	3751058	-	-	1	-	LH HP 600VFR ARM HOSE KIT
	3751059	-	-	-	1	RH HP 600VFR ARM HOSE KIT
1	3751056.01	2	2	2	2	HOSE: 1/4" - 5400mm
2	3751044.02	1	-	1	-	HOSE: 1/2" - 5050mm
2	3751045.01	-	1	-	1	HOSE: 1/2" - 5050mm
3	3751044.03	2	-	-	-	HOSE: 1" - 5050mm
3	3751045.02	-	2	-	-	HOSE: 1" - 5050mm
3	3751046.01	-	-	2	-	HOSE: 1" - 5050mm
3	3751047.01	-	-	-	2	HOSE: 1" - 5050mm
4	3751056.02	2	2	2	2	HOSE: 1/4" - 3200mm
5	3751000.10	2	2	2	2	HOSE: 1/4" - 3080mm
6	8770780	1	1	1	1	ARM LOOM
7	3870401	3	3	3	3	HOSE SLEEVE: 5000mm LRG
8	43543.16	1	1	1	1	HOSE SLEEVE: 2500mm SM
9	43543.14	1	1	1	1	HOSE SLEEVE: 900mm SM
10	06.023.01	10	10	10	10	CABLE TIE - LRG
11	30.058.66	8	8	8	8	CABLE TIE - SM

Spearhead TWIGA PRO

- LH LP 650VFR ARM HOSE KIT - S180028.106
- RH LP 650VFR ARM HOSE KIT - S180028.107
- LH HP 650VFR ARM HOSE KIT - S180028.108
- RH HP 650VFR ARM HOSE KIT - S180028.128



Spearhead TWIGA PRO

LH LP 650VFR ARM HOSE KIT - S180028.106
 RH LP 650VFR ARM HOSE KIT - S180028.107
 LH HP 650VFR ARM HOSE KIT - S180028.108
 RH HP 650VFR ARM HOSE KIT - S180028.128

REF NO.	PART NO.	28.106	28.107	28.108	28.128	DESCRIPTION
	3751060	1	-	-	-	LH LP 650VFR ARM HOSE KIT
	3751061	-	1	-	-	RH LP 650VFR ARM HOSE KIT
	3751062	-	-	1	-	LH HP 650VFR ARM HOSE KIT
	3751063	-	-	-	1	RH HP 650VFR ARM HOSE KIT
1	3751060.01	2	2	2	2	HOSE: 1/4" - 6100mm
2	3751060.02	1	-	1	-	HOSE: 1/2" - 5850mm
2	3751061.01	-	1	-	1	HOSE: 1/2" - 5850mm
3	3751060.03	2	-	-	-	HOSE: 1" - 5850mm
3	3751061.02	-	2	-	-	HOSE: 1" - 5850mm
3	3751062.01	-	-	2	-	HOSE: 1" - 5850mm
3	3751063.01	-	-	-	2	HOSE: 1" - 5850mm
4	3751060.04	2	2	2	2	HOSE: 1/4" - 3550mm
5	3751000.10	2	2	2	2	HOSE: 1/4" - 3080mm
6	8770781	1	1	1	1	ARM LOOM
7	3870404	3	3	3	3	HOSE SLEEVE: 3100mm LRG
8	43543.16	1	1	1	1	HOSE SLEEVE: 2500mm SM
9	43543.14	1	1	1	1	HOSE SLEEVE: 900mm SM
10	06.023.01	10	10	10	10	CABLE TIE - LRG
11	30.058.66	8	8	8	8	CABLE TIE - SM

Spearhead Machinery Ltd
Green View
Salford Priors
Evesham
Worcestershire
WR11 8SW
Tel: 01789 491860
Fax: 01789 778683
www.spearheadmachinery.com
enquiries@spearheadmachinery.com