

Spearhead

STARCUT 730



Edition 1.4 - March 2013
Post Serial No. S1 14637
Part No. 8999042

PARTS MANUAL

Spearhead STARCUT 730

Contents

Ordering Your Parts	3
Centre Section	4
Wing Section-Starcut 730	6
Centre Axle	8
Wing Axle	10
Std Drawbar	12
Tie-Bar Assembly	14
Front Flap Kit	16
Mud Guard Kit	17
Wing Ram Assembly	18
Height Ram Assembly	20
Euro Light Kit/French Light Kit	22
Std Blade Carrier Assembly	24
Std Blade Carrier Assembly	26
Replaceable Blade Carrier Parts	27
HD Blade Carrier Assembly	28
HD Blade Carrier Assembly	30
Rear Drawbar Assembly	32
Input Shaft	34
Centre Shaft	36
Inner Wing Shaft	38
Outer Wing Shaft	40
Clutch	42
Splitter Gearbox	44
Centre Gearbox	46
Inner Wing Gearbox	48
RH Outer Wing Gearbox	50
LH Outer Wing Gearbox	52
PTO Cones and Adaptors	54
Decals	55

Spearhead STARCUT 730

Ordering Your Part's

When ordering parts please refer to your parts list to help your dealer with your order.

Part number and quantity
Description
Machine model number
Serial number of the machine
Delivery instructions (e.g. next day).

Delivery is normally via carrier direct to your dealer. Please check with your dealer for stock availability and arrangement of dispatch. Ensure you or your dealer has sufficient cover for parts requirement outside factory hours.

When ordering your seal kits please quote both codes stamped on the base of the cylinder.

Important Note

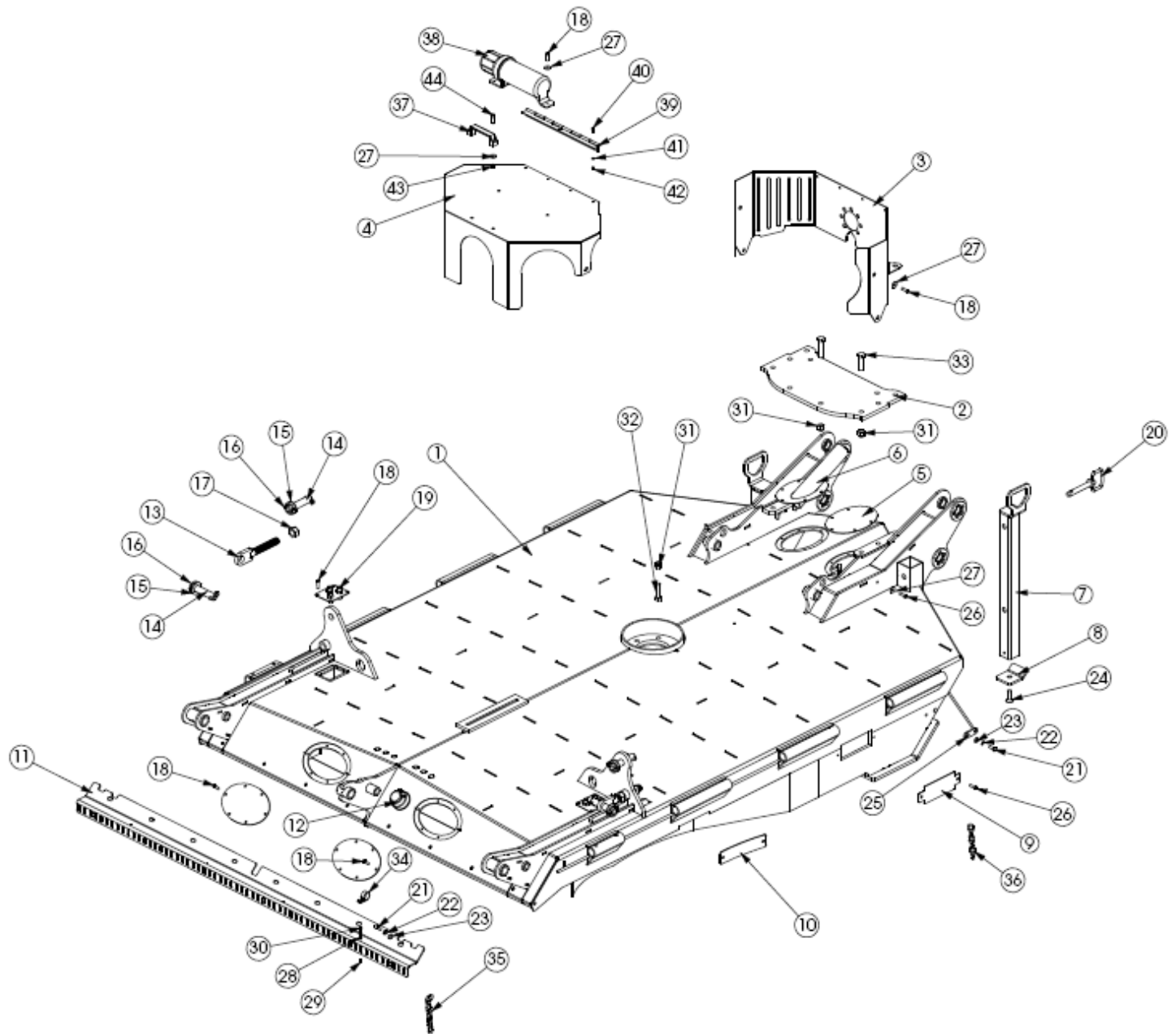
The information contained in this manual is correct at the time of publication. However, in the course of constant development, changes in specification are inevitable. Should you find the information given in this book different to the machine it relates to, please contact the "After Sales Department" for advise.

Key:

(LH) = Left hand
(RH) = *Right hand*

Spearhead STARCUT 730

CENTRE SECTION - S180025.70



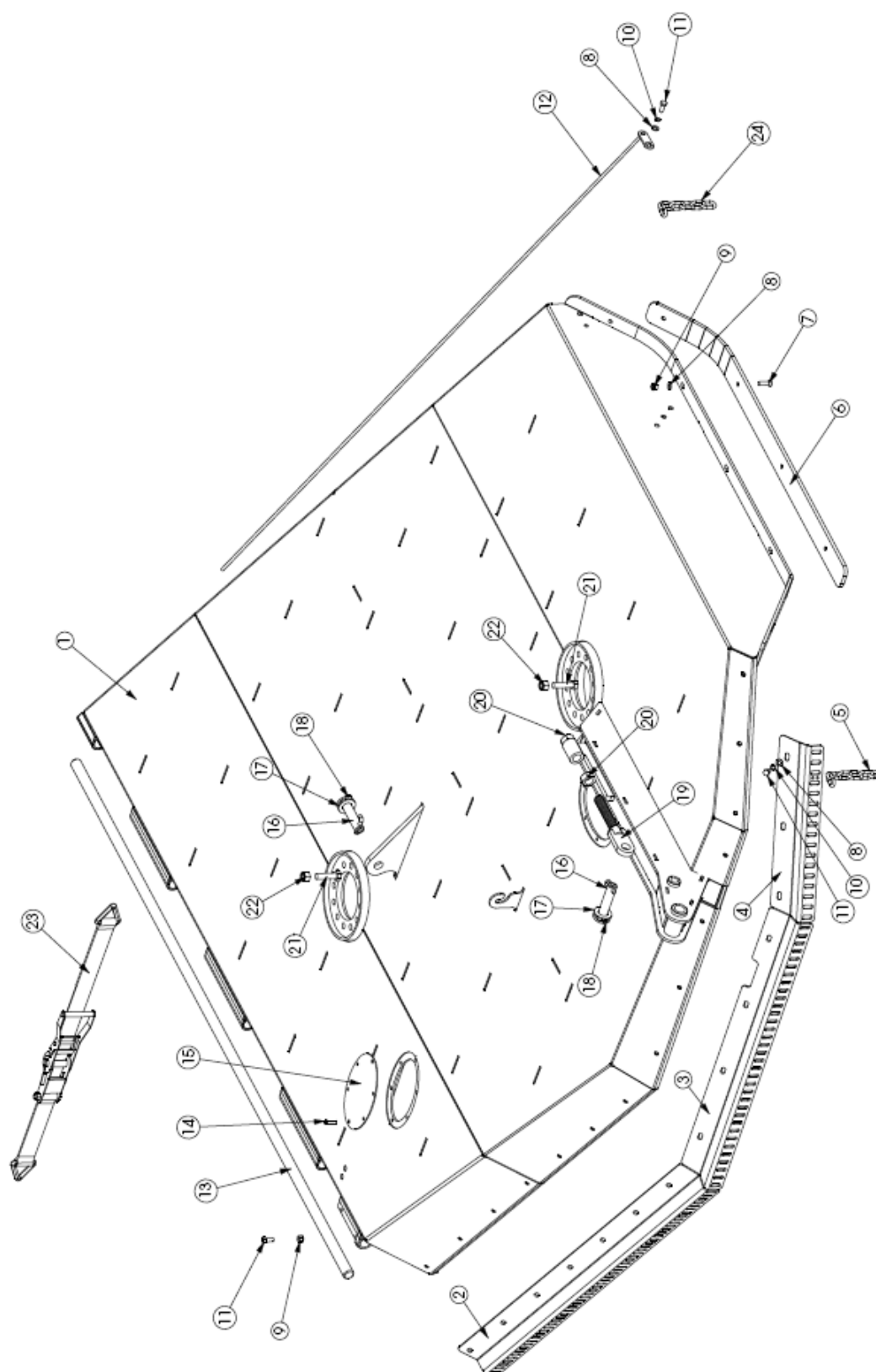
Spearhead STARCUT 730

CENTRE SECTION - S180025.70

Ref No	Part No.	Qty	Description
1	180600	1	CENTRE DECK
2	180608	1	PLATE
3	180978	1	SPLITTER BOX GUARD MOUNT
4	180979	1	SPLITTER BOX GUARD
5	180603	3	COVER
6	180199	1	HOSE TUBE
7	180609	2	LEG BOX
8	180634	2	LEG PLATE
9	180780	2	PLATE
10	180781	2	PLATE
11	180658	1	CHAIN GUARD
12	8770740	1	LIGHT LOOM
13	180611	2	ADJUSTER BOLT
14	180602	4	PIN
15	05.281.16	4	WASHER
16	00.372.01	4	LYNCH PIN
17	2770460	4	NUT
18	2770370	40	BUTTON BOLT
19	180195	2	BULKHEAD ASSY
20	6310215	4	PIN
21	2770407	8	BOLT
22	2770469	8	WASHER
23	2770434	8	WASHER
24	2770461	2	CSK BOLT
25	180665	2	RETAIN BAR
26	2770402	8	BOLT
27	2771408	10	WASHER
28	2770432	12	WASHER
29	2770373	10	NUT
30	2770613	6	BOLT
31	2770447	14	NUT
32	2770563	12	BOLT
33	05.291.39	4	BOLT
34	3850103	3	P-CLIP
35	46943.21	94	CHAIN - 7 LINK
36	8770623	24	CHAIN - 6 LINK
37	8777513	1	HANDLE
38	46505.01	1	DOCUMENT FLASK
39	180607	1	HINGE
40	2770580	8	SCREW
41	2770391	8	WASHER
42	2770394	11	NUT
43	2770416	4	NUT

Spearhead STARCUT 730

WING SECTION - I80025.73/74



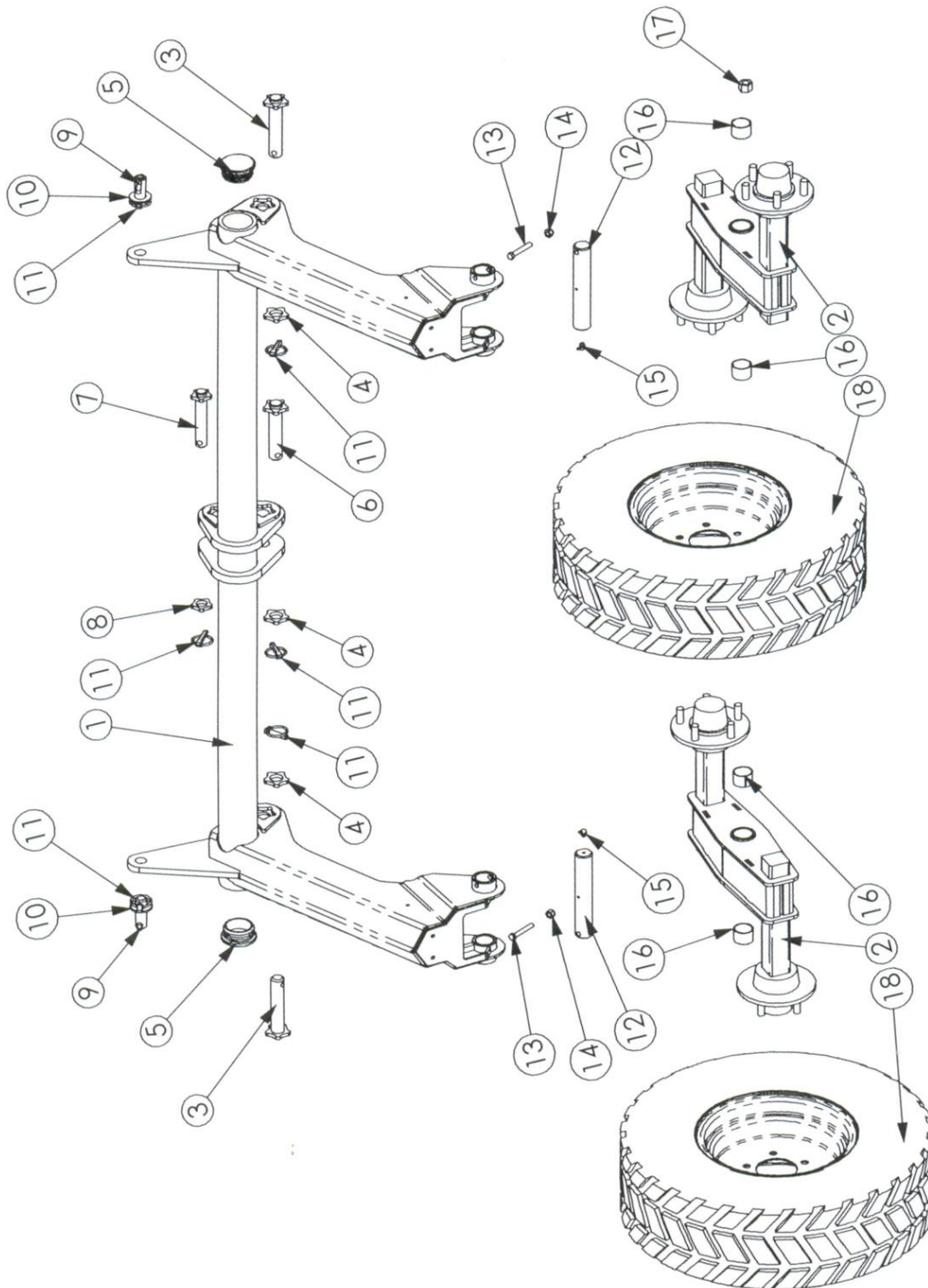
Spearhead STARCUT 730

WING SECTION - SI80025.73/74

Ref No	Part No.	Qty	Description
1	180913	1	RH WING DECK
	180912	1	LH WING DECK
2	180653	1	RH INNER GUARD
	180652	1	LH INNER GUARD
3	180657		RH MIDDLE GUARD
	180656		LH MIDDLE GUARD
4	180655	1	RH OUTER GUARD
	180654	1	LH OUTER GUARD
5	46943.21	111	CHAIN – 7 LINK
6	180619	1	SKID
7	2770509	5	CSK BOLT
8	2770434	5	WASHER
9	2770412	5	NUT
10	2770469	15	WASHER
11	2770407	14	BOLT
12	180666	1	RETAIN BAR
13	180614	1	HINGE BAR
14	2770370	12	BOLT
15	180603	1	COVER
16	180602	1	PIN
17	05.281.16	2	WASHER
18	00.372.01	2	LYNCH PIN
19	18 0611	1	ADJUSTER BOLT
20	2770460	2	NUT
21	2770563	12	BOLT
22	2770447	12	NUT
23	6310256	1	RACHET STRAP
24	8770623	15	CHAIN – 6 LINK

Spearhead STARCUT 730

CENTRE AXLE - S180025.06



Spearhead STARCUT 730

CENTRE AXLE - S180025.06

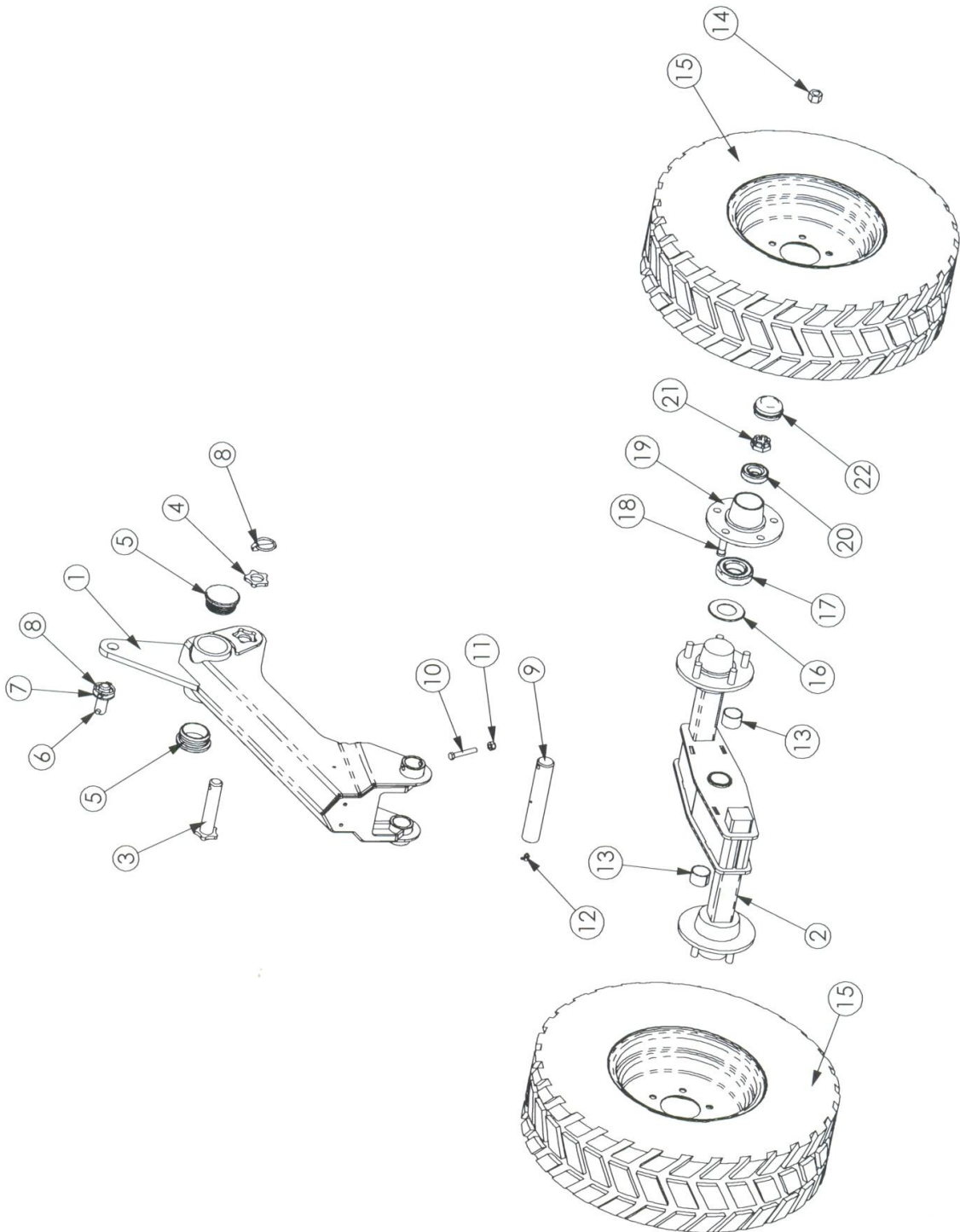
REF NO	PART NO.	QTY	DESCRIPTION
1	180622	1	CENTRE AXLE
2	180627	2	WHEEL AXLE
3	180854	2	STAR PIN
4	180851	3	STAR WASHER
5	8777512	2	PLASTIC CAP
6	180853	1	STAR PIN
7	180852	1	STAR PIN
8	180850	1	STAR WASHER
9	180602	2	PIN
10	05.281.16	6	WASHER
11	00.372.01	6	LYNCH PIN
12	180626	2	PIN
13	05.291.20	2	BOLT
14	2770412	2	NUT
15	2770497	2	GREASE NIPPLE
16	4600148	4	BUSH
17	6770578	20	WHEEL NUT
18	6550142B	4	WHEEL ASSEMBLY

BRAKED CENTRE AXLE - S180025.47

REF NO	PART NO.	QTY	DESCRIPTION
2	180981	2	BRAKED WHEEL AXLE

Spearhead STARCUT 730

WING AXLE - S180025.07



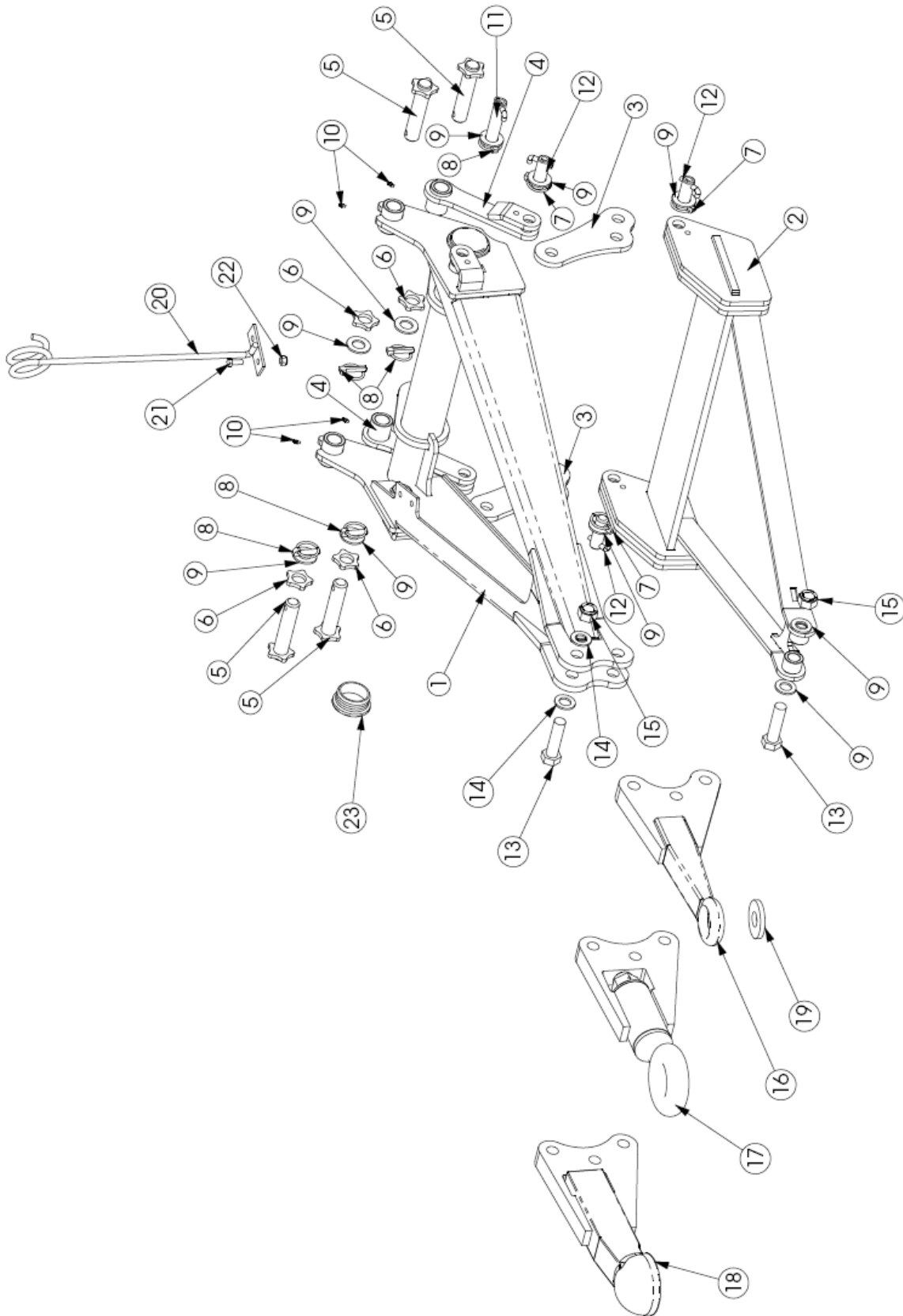
Spearhead STARCUT 730

WING AXLE - S180025.07

REF NO	PART NO.	QTY	DESCRIPTION
1	180628	1	WING AXLE
2	180627	1	WHEEL AXLE
3	180854	1	STAR PIN
4	180851	1	STAR WASHER
5	8777512	2	PLASTIC CAP
6	180602	1	PIN
7	05.281.16	1	WASHER
8	00.372.01	2	LYNCH PIN
9	180626	1	PIN
10	05.291.20	1	BOLT
11	2770412	1	NUT
12	2770497	1	GREASE NIPPLE
13	4600148	2	BUSH
14	6770578	10	WHEEL NUT
15	6550142B	2	WHEEL ASSEMBLY
16	4770661	-	SEAL - WHEEL SOLUTIONS
16	6770587.03	-	SEAL - ROC AXLE
-	6770587.04	-	OUTER SEAL - ROC AXLE
17	4770660	-	INNER BEARING
18	6770579	-	WHEEL STUD
19	-	-	HUB
20	4770659	-	OUTER BEARING - WHEEL SOLUTIONS
20	6770587.02	-	OUTER BEARING - ROC AXLE
21	6770583	-	CASTLE NUT - WHEEL SOLUTIONS
21	6770587.06	-	CASTLE NUT - ROC AXLE
22	6770580	-	DUST CAP-UPTO MAY 2010
22	6770587.01	-	DUST CAP-FROM MAY 2010

Spearhead STARCUT 730

STD DRAWBAR - S180025.75



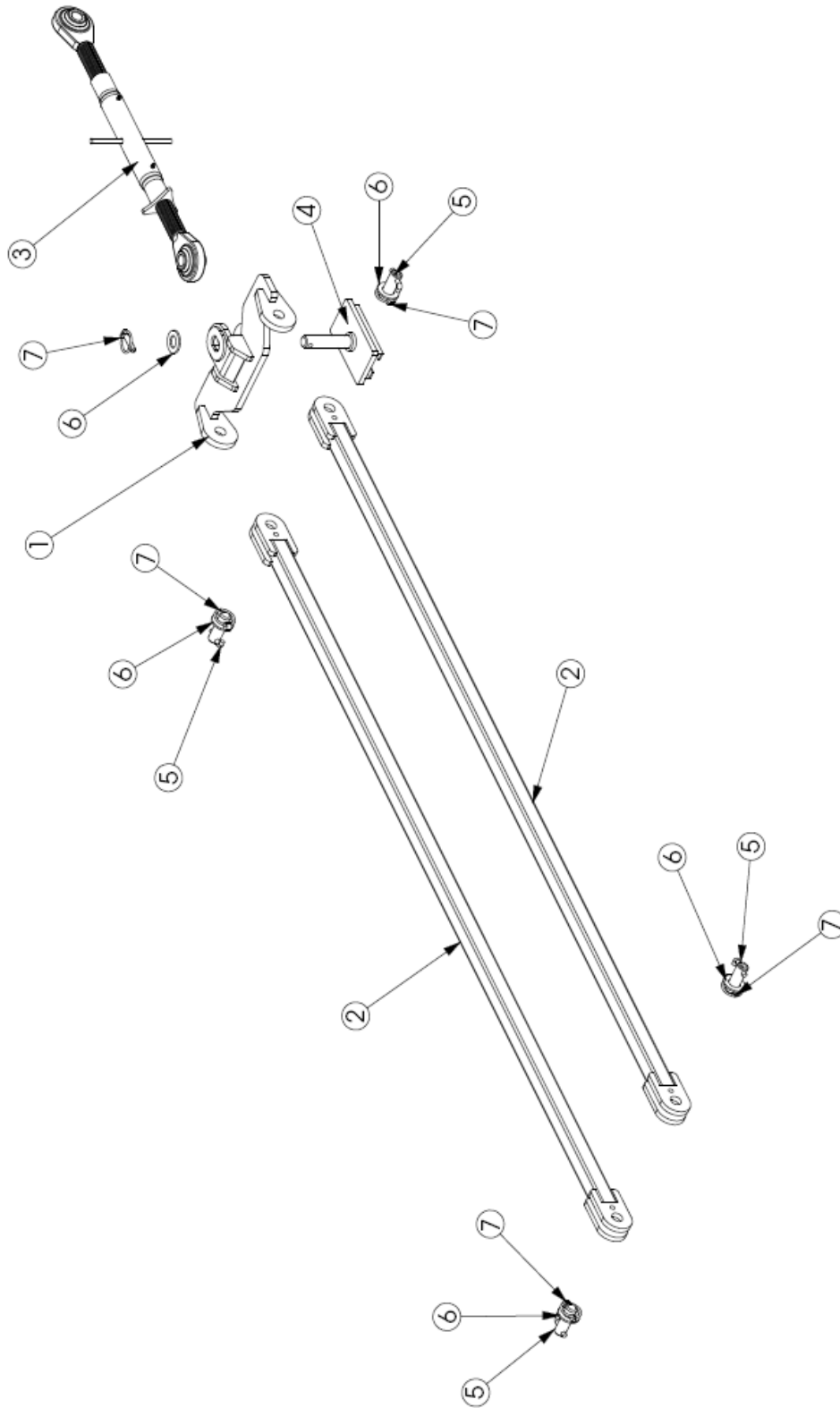
Spearhead STARCUT 730

STD DRAWBAR - S180025.75

Ref No	Part No.	Qty	Description
1	180630	1	DRAWBAR
2	180174	1	PARALLEL LINK
3	180635	2	CONNECTING LINK
4	180632	2	DRAG LINK
5	180853	4	STAR PIN
6	180851	4	STAR WASHER
7	6310222	4	LYNCH PIN
8	00.372.01	6	LYNCH PIN
9	05.281.16	10	WASHER
10	2770467	4	GREASE NIPPLE
11	180625	2	PIN
12	180602	4	PIN
13	05.255.40	2	BOLT
13	0212569	1	BOLT
14	180620	4	WASHER
15	05.296.08	2	NUT
16	180629	1	STD TOWING EYE
17	180649	-	SWIVEL TOWING EYE
18	180664	-	SCHARMULLER K80 TOWING EYE
19	4600139	1	THRUST WASHER
20	1770692	1	HOSE GUIDE
21	2770396	2	BOLT
22	2770412	2	NUT
23	8777512	2	PLASTIC INSERT

Spearhead STARCUT 730

TIE-BAR ASSEMBLY - SI80025.76



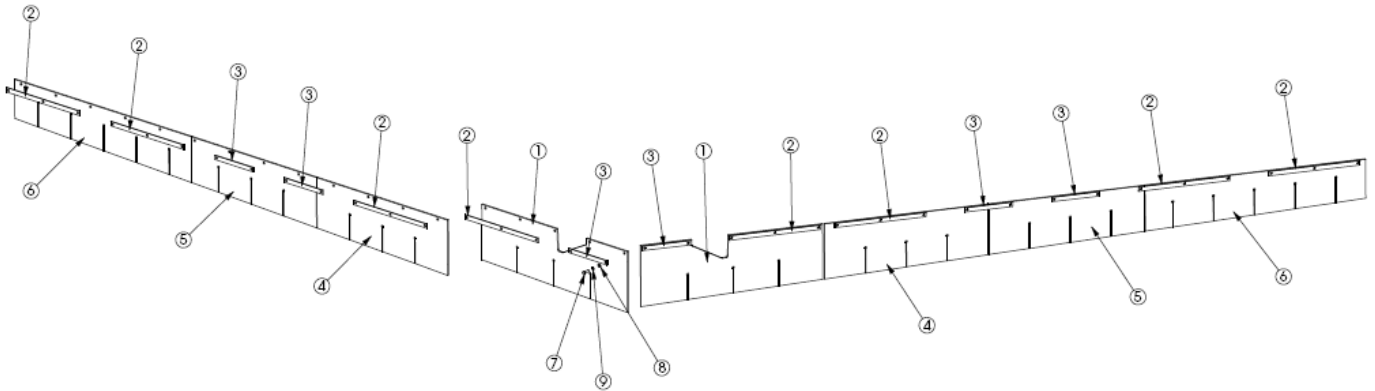
Spearhead STARCUT 730

TIE-BAR ASSEMBLY - S180025.76

Ref No	Part No.	Qty	Description
1	180198	1	TIE BAR PLATE
2	180196	2	TIE BAR
3	6310245	1	TIE BAR ADJUSTER
4	180197	1	TIE BAR PIN
5	180602	4	PIN
6	05.281.16	6	WASHER
7	00.372.01	6	LYNCH PIN

Spearhead STARCUT 730

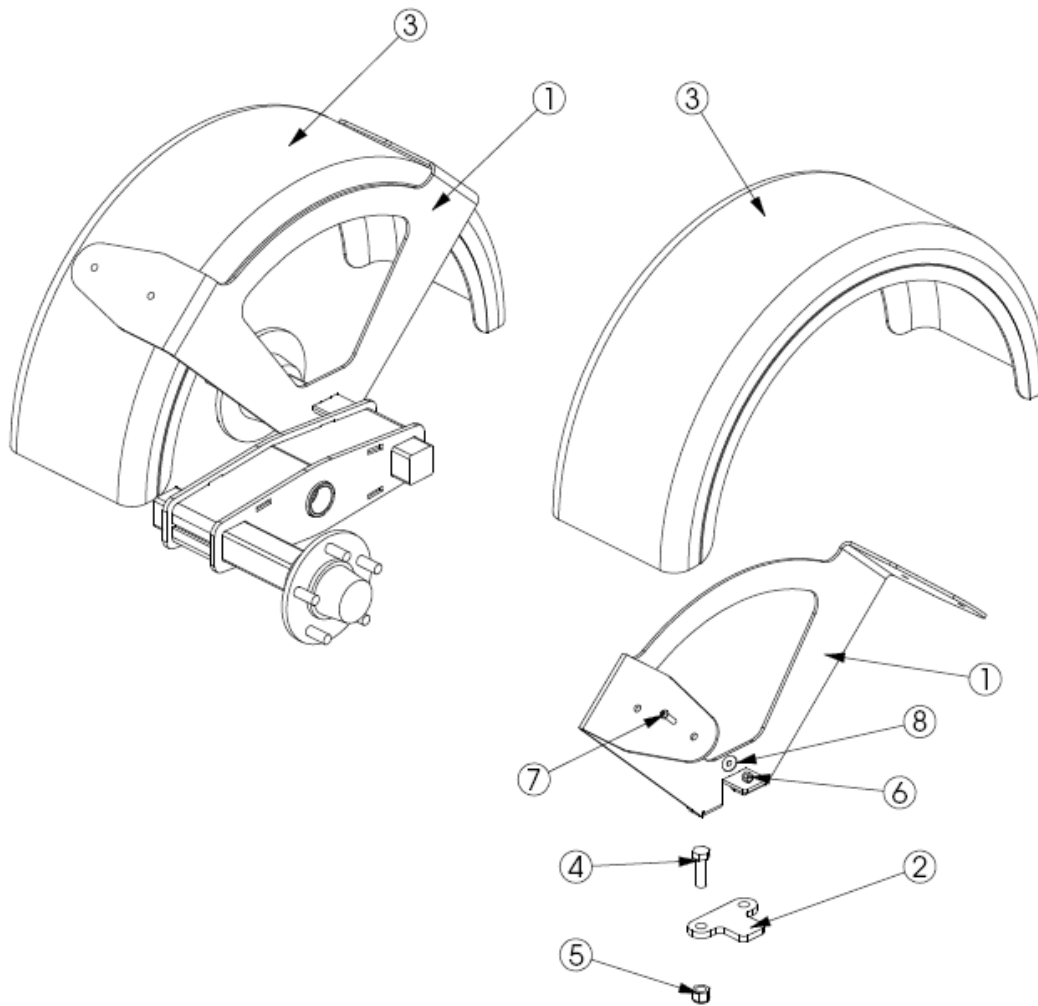
FRONT FLAP KIT - S180025.89



Ref No	Part No.	Qty	Description
1	2770440	2	CENTRE FLAP
2	180200	8	RETAINER STRIP
3	180201	6	RETAINER STRIP
4	8770441	2	MIDDLE FLAP
5	8770442	2	MIDDLE OUTER FLAP
6	8770443	2	OUTER FLAP
7	2770396	36	BOLT
8	2770434	36	WASHER
9	2770469	36	SPRING WASHER

Spearhead STARCUT 730

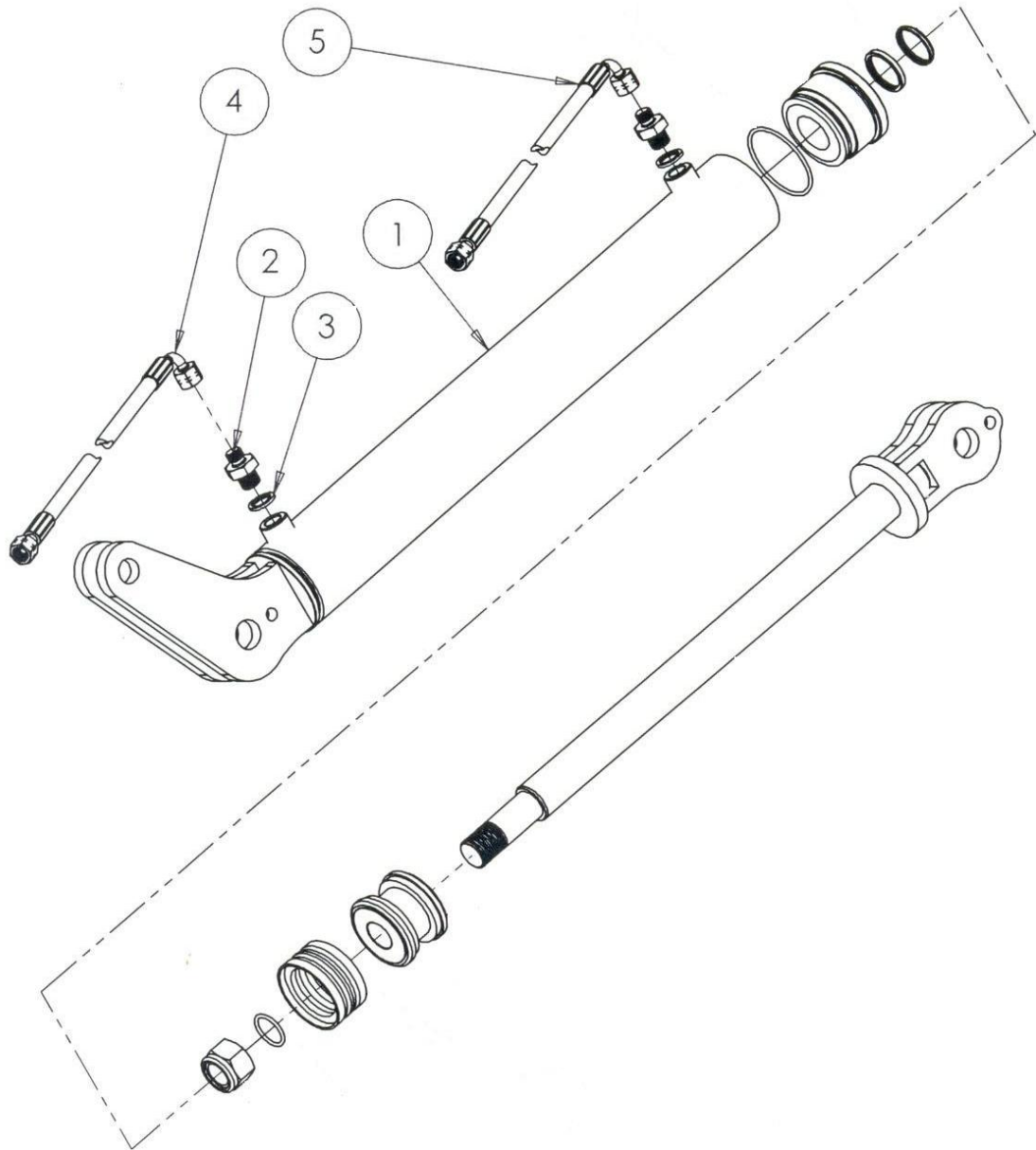
MUD GUARD KIT - S180025.90



Ref No	Part No.	Qty	Description
1	180202	4	MUD GUARD BRACKET
2	180203	4	CLAMP PLATE
3	8770775	4	PLASTIC MUD GUARD
4	2770425	8	BOLT
5	2770447	8	NUT
6	2770416	16	NUT
7	2770589	16	BOLT
8	2770244	16	WASHER

Spearhead STARCUT 730

WING RAM ASSEMBLY - S180025.21



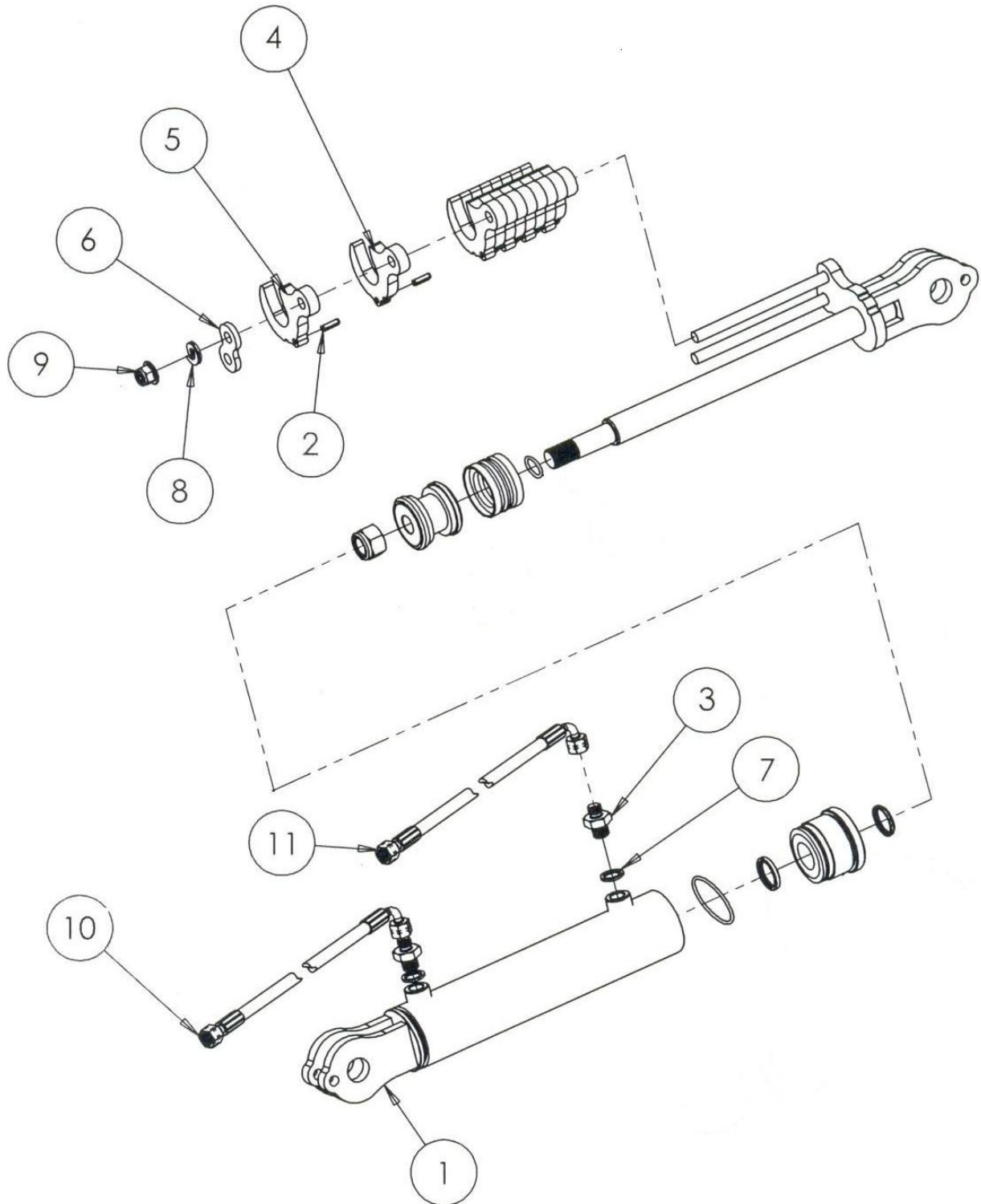
Spearhead STARCUT 730

WING RAM ASSEMBLY - S180025.21

REF NO	PART NO.	QTY	DESCRIPTION
1	3580672	1	RAM ASSEMBLY
2	3360083	2	ADAPTOR
3	3260071	2	BONDED SEAL
4	3770640.01	1	HOSE
5	3770640.11	1	HOSE
	3570659	1	BREATHER/VENT
6	3580672.04	-	SEAL KIT

Spearhead STARCUT 730

HEIGHT RAM ASSEMBLY - S180025.20



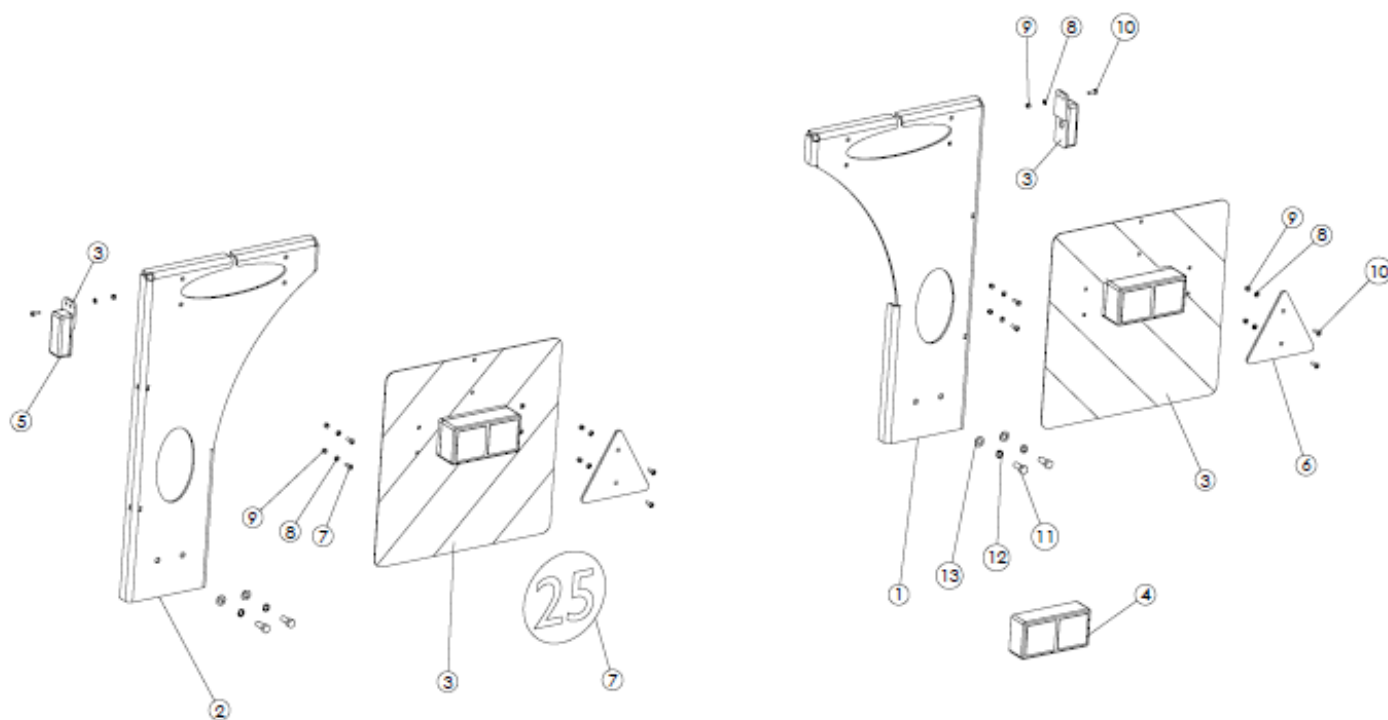
Spearhead STARCUT 730

HEIGHT RAM ASSEMBLY - S180025.20

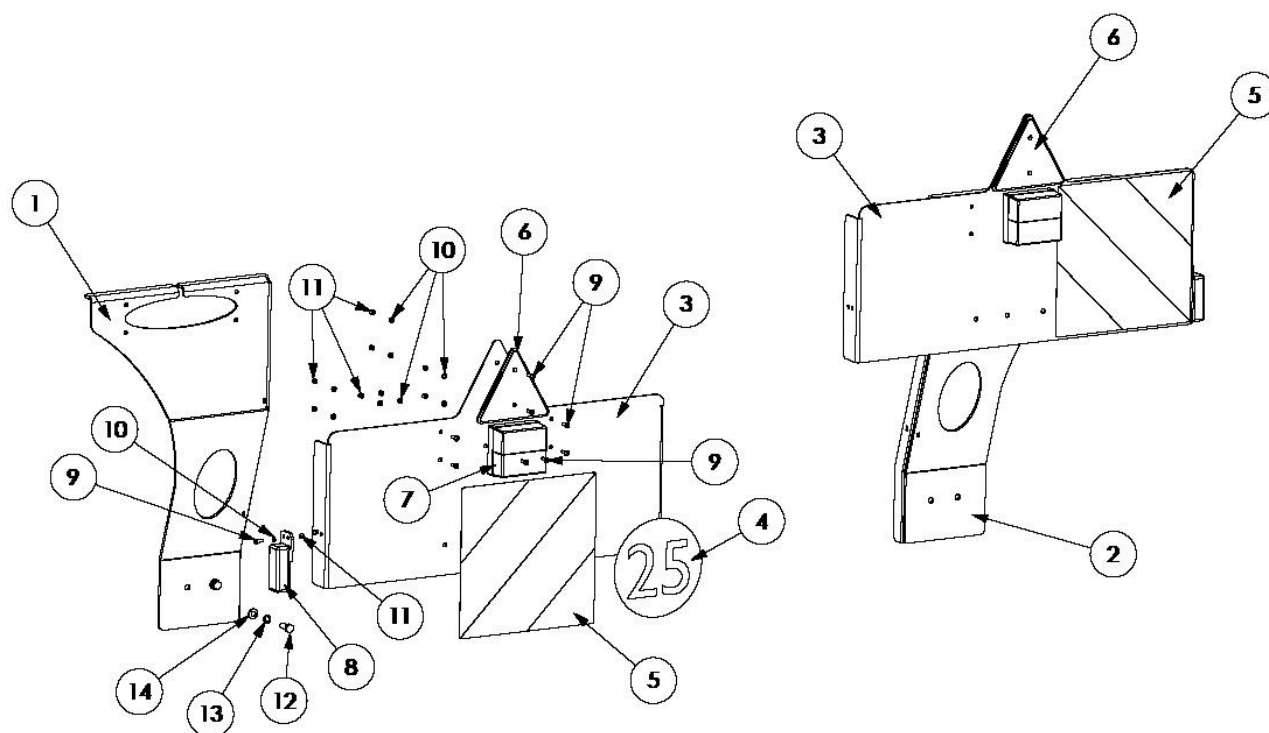
REF NO	PART NO.	QTY	DESCRIPTION
1	3580671	1	RAM ASSEMBLY
2	2770526	10	ROLL PIN
3	3360083	2	ADAPTOR
4	180639	5	SPACER
5	180640	5	SPACER
6	180641	1	PLATE
7	3260071	2	BONDED SEAL
8	2770442	1	SPRING WASHER
9	2770417	2	NUT
10	3770640.01	1	HOSE
11	3770640.02	1	HOSE
12	3580671.06	-	SEAL KIT

Spearhead STARCUT 730

EURO LIGHT KIT - SI80025.62



FRENCH LIGHT KIT - SI80025.94



Spearhead STARCUT 730

EURO LIGHT KIT - S180025.62

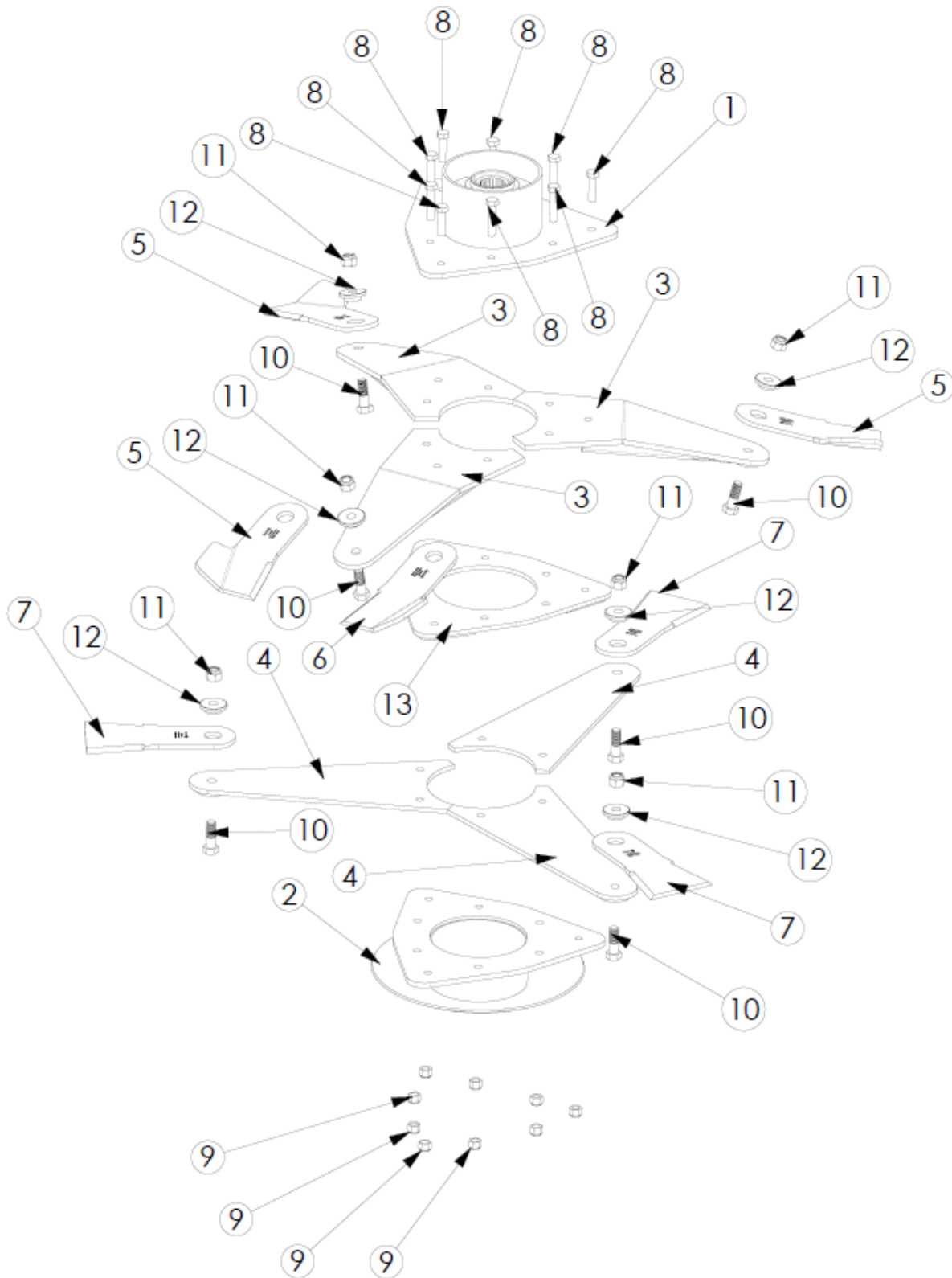
REF NO	PART NO.	QTY	DESCRIPTION
1	180932	1	RH LIGHT ARM
2	180931	1	LH LIGHT ARM
3	8770742	1	REAR LIGHT LOOM
4	8770659A	2	LENS
5	8770742.01	2	SIDELIGHT LENS
6	8770722	2	REFLECTOR - TRIANGLE
7	8770392	1	25K STICKER
8	2770391	16	WASHER
9	2770394	16	NUT
10	2770580	16	SCREW
11	2770407	4	BOLT
12	2770469	4	SPRING WASHER
13	2770434	4	WASHER
-	7560093	6	REFLECTOR - RECTANGLE
-	3850103	10	P - CLIP
-	2770371	10	BOLT
-	2771408	10	WASHER

FRENCH LIGHT KIT - S180025.94

Ref.	Part No.	Qty.	Description.
1	181053	1	LH REAR LIGHT BRACKET
2	181054	1	RH REAR LIGHT BRACKET
3	180084	2	AGICUT MARKER LIGHT BOARD
4	8770392	1	25KPH DECAL
5	1290819	2	MARKER BOARD DECAL
6	8770722	2	WARNING TRIANGLE- REFLECTOR
7	8770747	1	LOOM AND LIGHT ASSEMBLY
8	8770666.03	0	SIDE MARKER LIGHT
9	2770580	20	PAN HEAD SCREW
10	2770391	20	FLAT WASHER
11	2770394	20	NYLOCK NUT
12	2770407	4	BOLT
13	2770469	4	SPRING WASHER
14	2770434	4	FLAT WASHER
15	3580103	6	P CLAMP - 15MM
16	2770402	6	BOLT
17	2770432	6	FLAT WASHER
18	7560093	6	ADHESIVE REFLECTOR - RED

Spearhead STARCUT 730

STD INNER BLADE CARRIER ASSEMBLY - S180025.77/65



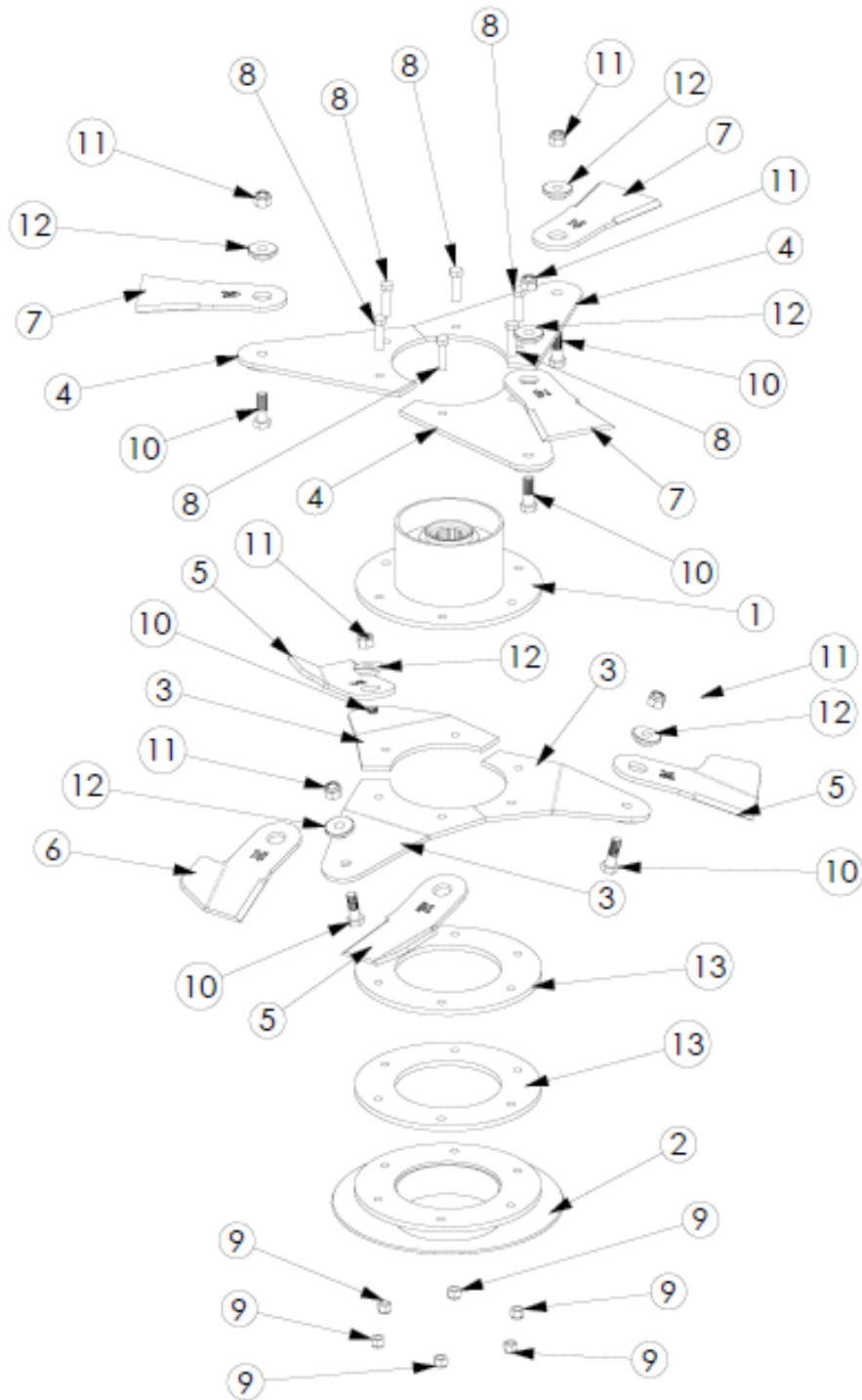
Spearhead STARCUT 730

STD INNER BLADE CARRIER ASSEMBLY - S180025.77/65

REF NO	PART NO.	QTY	DESCRIPTION
1	180764	3	UPPER - BLADER CARRIER
2	180765	3	LOWER - BLADE CARRIER
3	180204	9	BLADE HOLDER
4	180857	9	STARCUT BLADE HOLDER
5	7770759	6	RH STANDARD BLADE
	7770769	6	RH MAIZE BLADE (12mm) (OPTIONAL)
6	7770758	3	LH BLADE
	7770768	3	LH MAIZE BLADE (12mm) (OPTIONAL)
7	7770755	9	STARCUT BLADE
8	2770635	27	BOLT
9	2770447	27	NUT
10	2770557	18	BOLT
11	2770409	18	NUT
12	7770757	18	BLADE BUSH STANDARD
	7770762	18	BLADE BUSH (12mm) (OPTIONAL)
13	180015	3	BLADE SPACER PLATE

Spearhead STARCUT 730

STD OUTER BLADE CARRIER ASSEMBLY - S180025.78/66

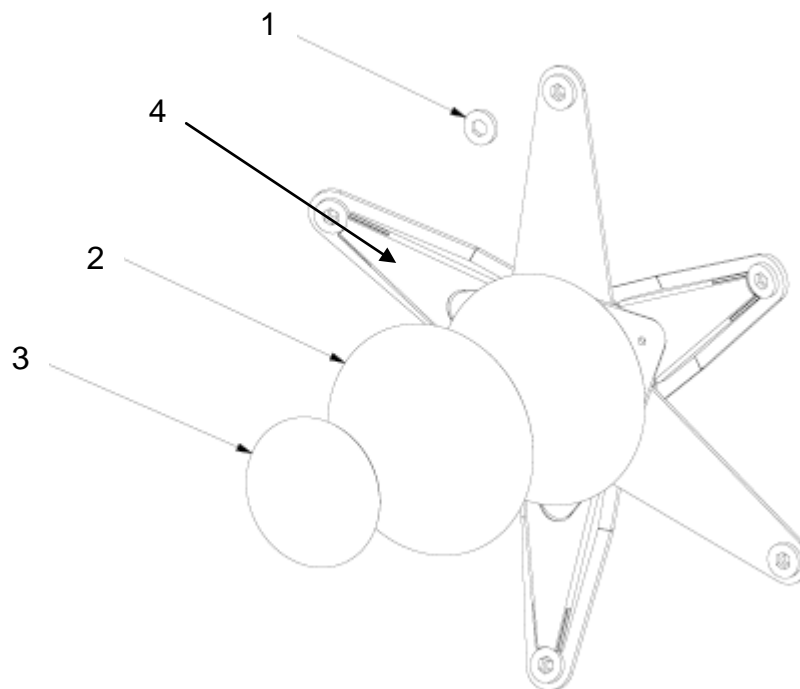


Spearhead STARCUT 730

STD OUTER BLADE CARRIER ASSEMBLY - S180025.78/66

REF NO	PART NO.	QTY	DESCRIPTION
1	180769	2	UPPER – BLADE CARRIER
2	180770	2	LOWER – BLADE CARRIER
3	180205	6	BLADE HOLDER
4	180858	6	STARCUT HOLDER
5	7770760	3	LH STANDARD BLADE
	7770770	3	LH MAIZE BLADE (12mm) (OPTIONAL)
6	7770761	3	RH STANDARD BLADE
	7770771	3	RH MAIZE BLADE (12mm) (OPTIONAL)
7	7770756	6	STARCUT BLADE
8	2770633	12	BOLT
9	2770447	12	NUT
10	2770557	12	BOLT
11	2770409	12	NUT
12	7770757	12	BLADE BUSH
	7770762	12	BLADE BUSH (12mm) (OPTIONAL)

REPLACEABLE BLADE CARRIER PARTS



Ref.No.	Part No.	Quantity
1	180762.02	6
2	7770750	1
3	7770732	1
4	180204.03	3

Note

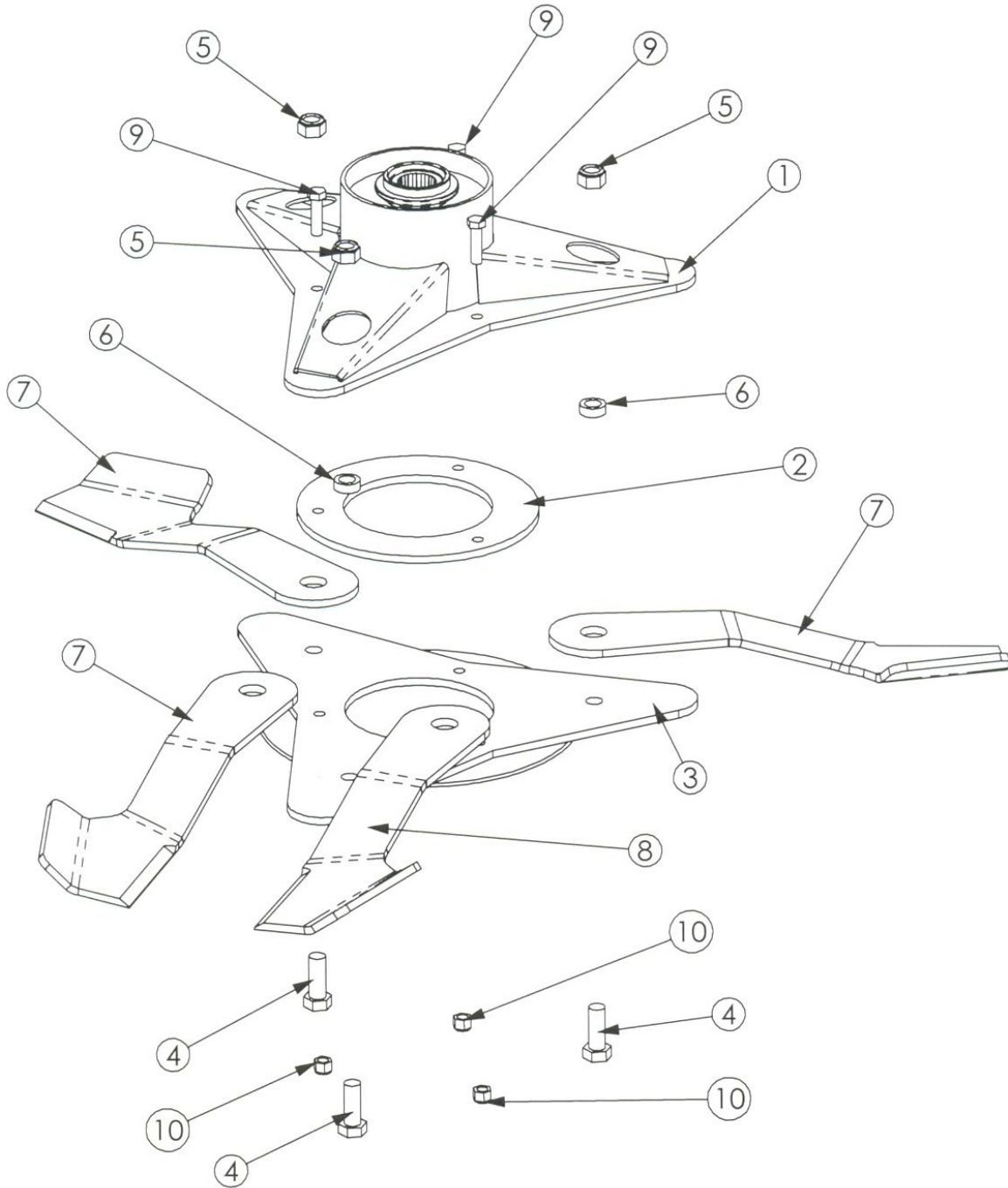
Torque settings

2770638 M16 x 89mm (10.9) = 210Nm

2770557 M20 x 60mm (8.8) = 425Nm

Spearhead STARCUT 730

HD BLADE CARRIER ASSEMBLY - S180025.32



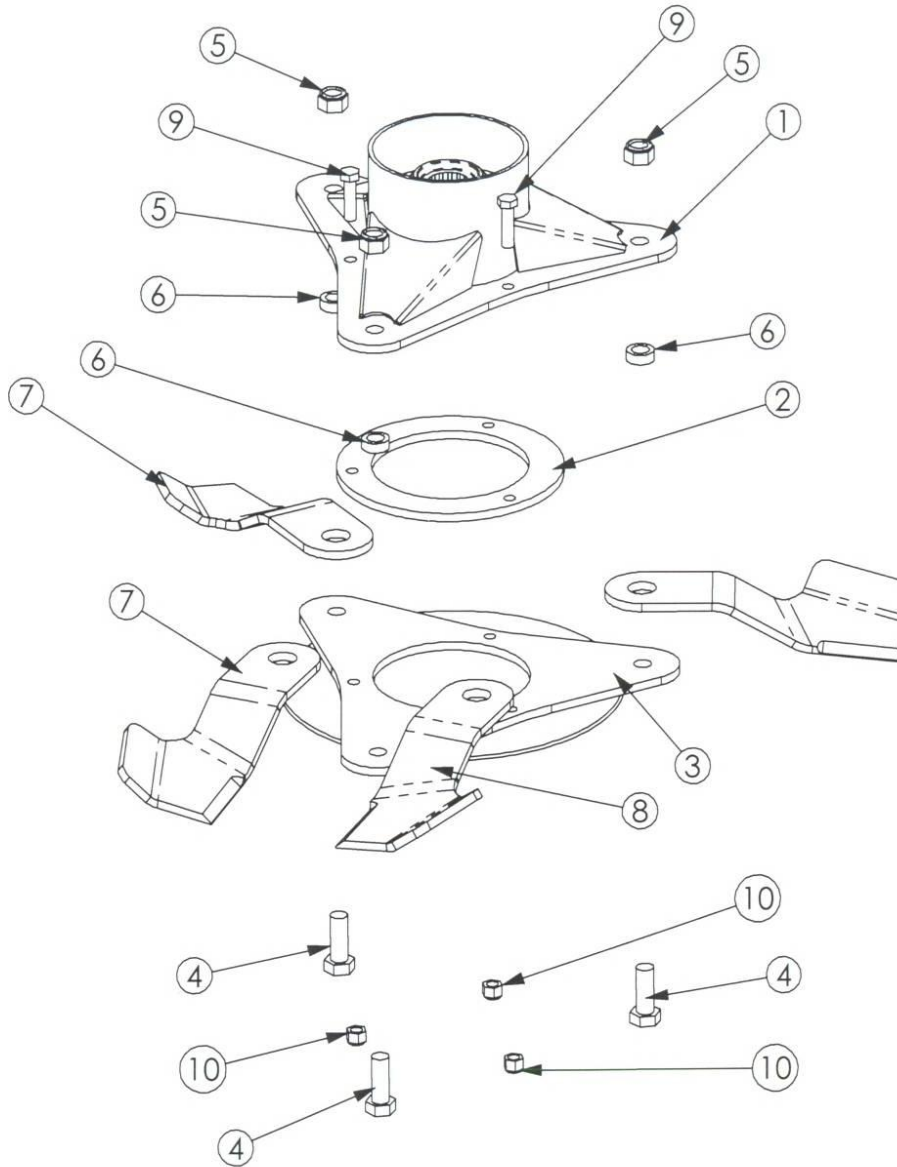
Spearhead STARCUT 730

HD BLADE CARRIER ASSEMBLY - S180025.32

REF NO	PART NO.	QTY	DESCRIPTION
1	180772	3	UPPER – BLADE CARRIER
2	180773	3	SPACER PLATE
3	180774	3	LOWER - BLADE CARRIER
4	2770339	9	BOLT
5	2770414	9	NUT
6	7770707	9	BLADE BUSH
7	7770752	6	RH HD BLADE
8	7770751	3	LH HD BLADE
9	2770423	9	BOLT
10	2770447	9	NUT

Spearhead STARCUT 730

HD BLADE CARRIER ASSEMBLY - S180025.33



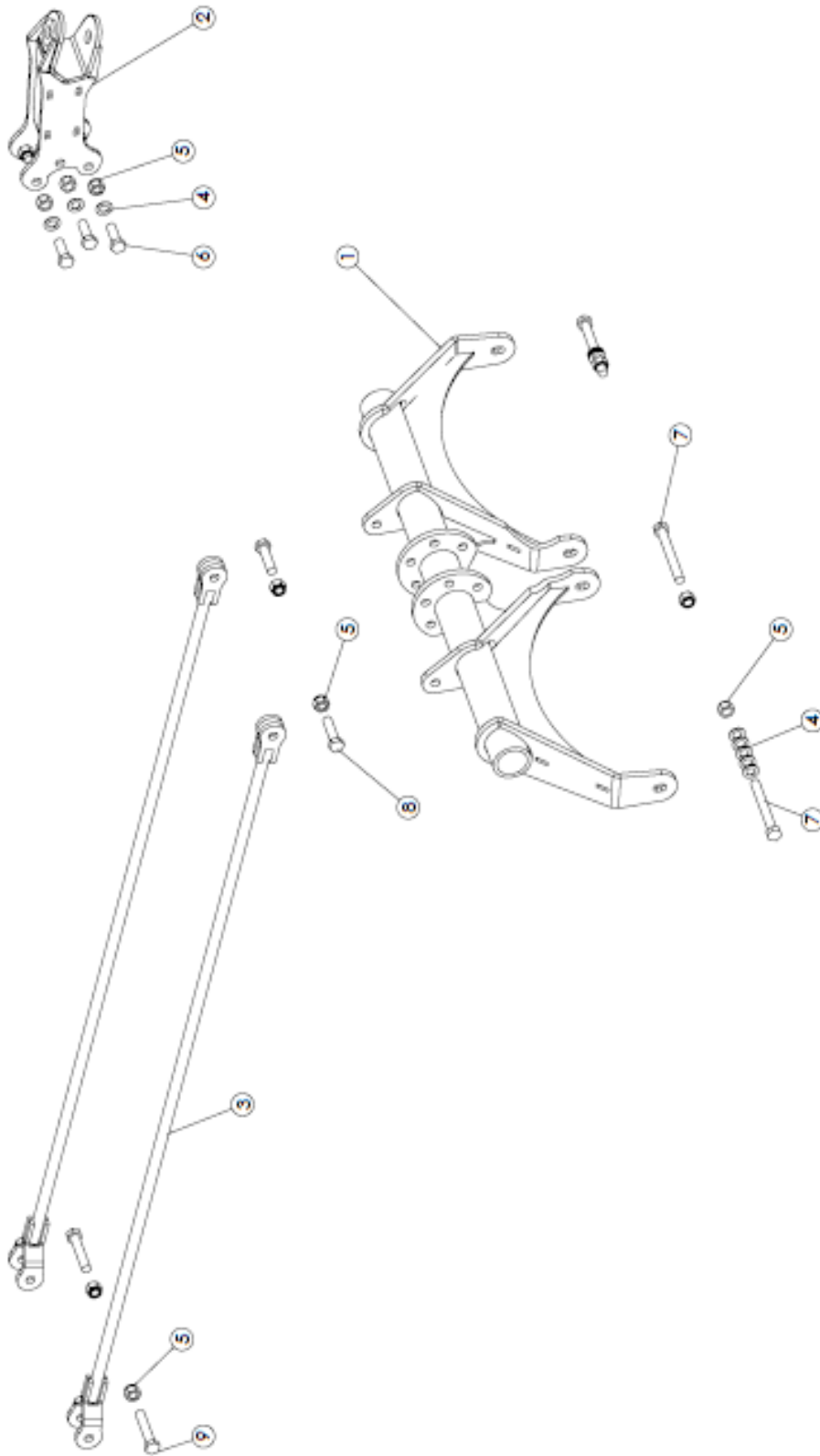
Spearhead STARCUT 730

HD BLADE CARRIER ASSEMBLY - 5180025.33

REF NO	PART NO.	QTY	DESCRIPTION
1	180775	2	UPPER – BLADE CARRIER
2	180777	2	SPACER
3	180776	2	LOWER- BLADE CARRIER
4	2770339	6	BOLT
5	2770414	6	NUT
6	7770707	6	BLADE BUSH
7	7770753	3	LH BLADE
8	7770754	3	RH BLADE
9	2770423	6	BOLT
10	2770447	6	NUT

Spearhead STARCUT 730

REAR DRAWBAR SCHEDULE - S180025.27



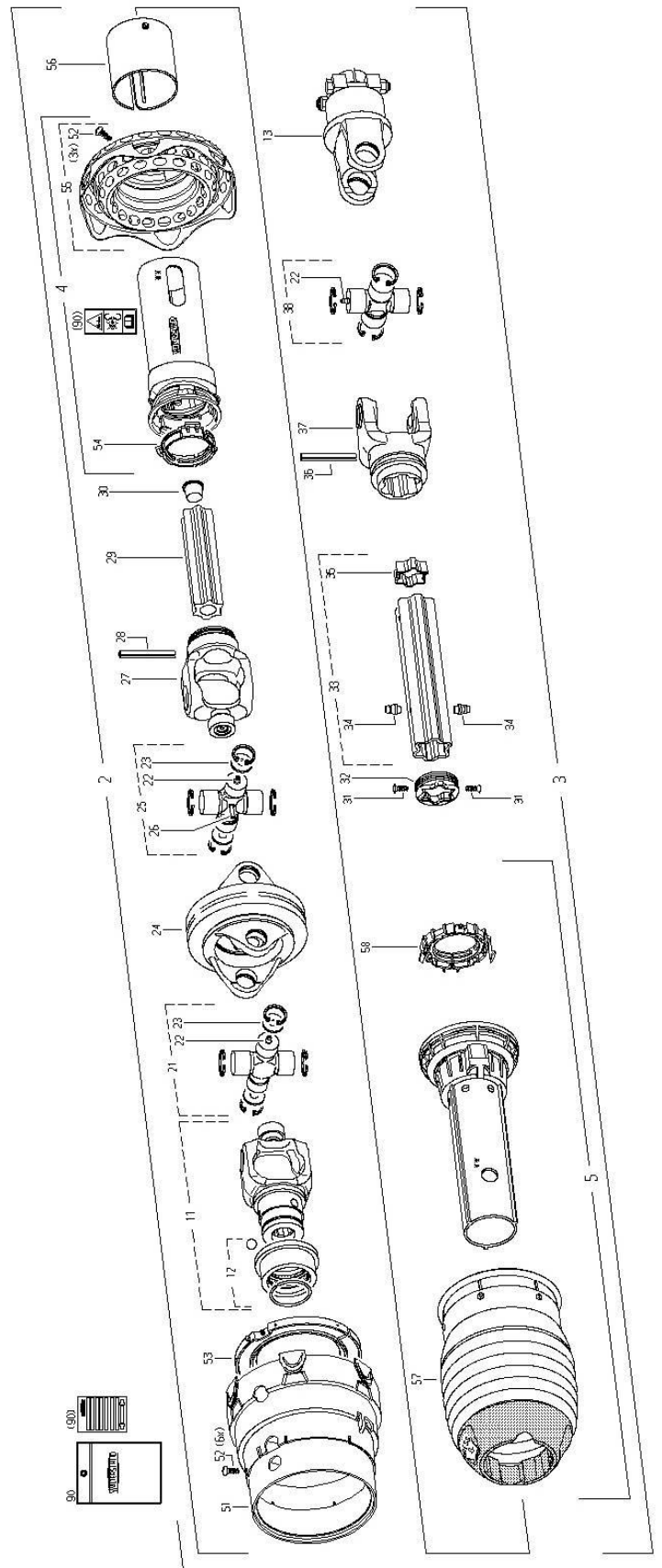
Spearhead STARCUT 730

REAR DRAWBAR SCHEDULE - S180025.27

REF NO	PART NO.	QTY	DESCRIPTION
1	180669	1	REAR FRAME
2	180667	1	DRAWBAR
3	180668	2	TIE BAR
4	2770517	16	WASHER
5	2770562	13	NUT
6	2770557	6	BOLT
7	9213348	3	BOLT
8	05.291.49	2	BOLT
9	05.292.44	2	BOLT

Spearhead STARCUT 730

INPUT SHAFT - (WALTERSCHEID)



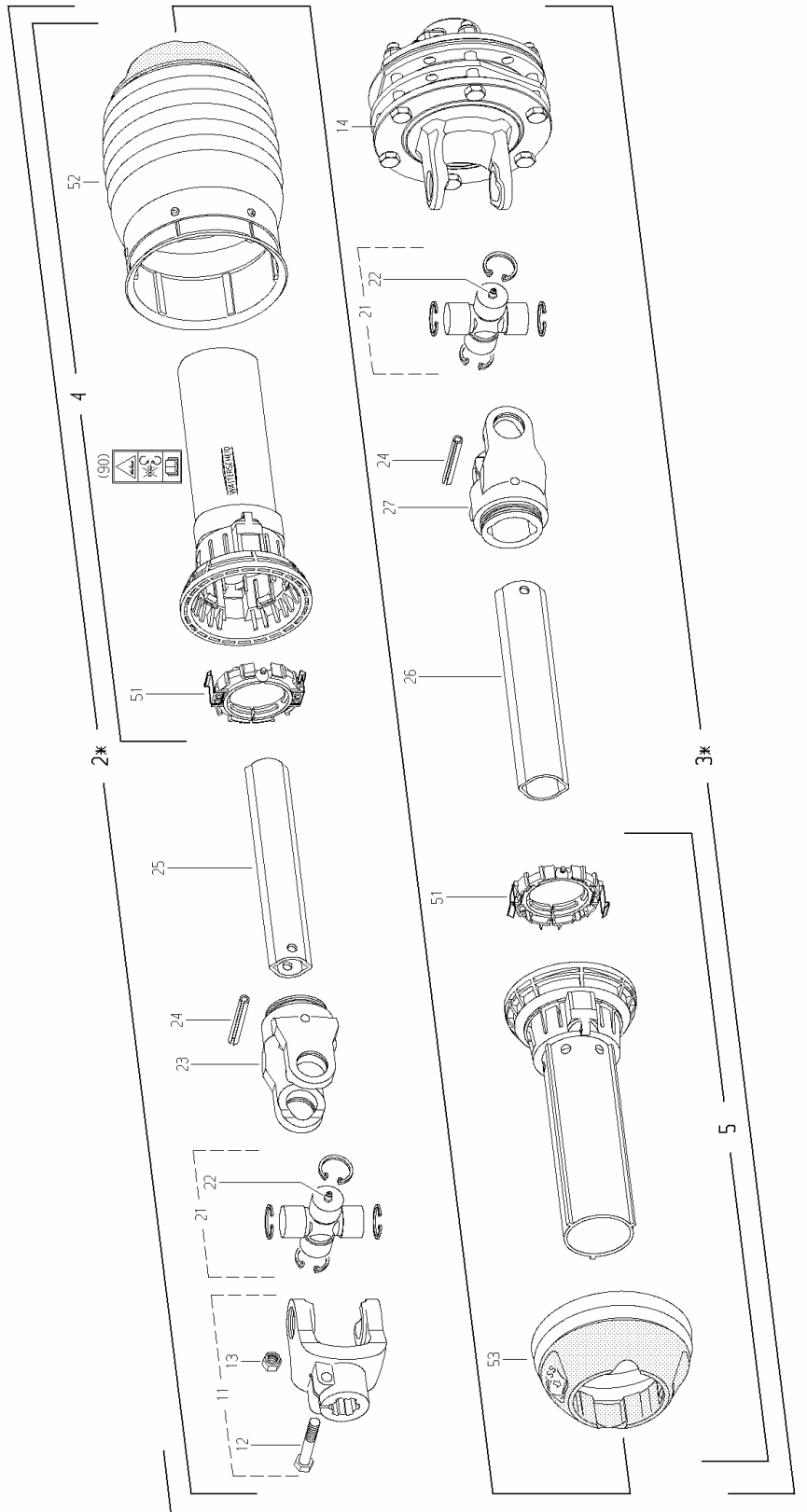
Spearhead STARCUT 730

INPUT SHAFT - (WALTERSCHEID)

REF. NO	PART NO.	DESCRIPTION
	5770493	PTO ASSEMBLY 6 SPLINE 1"3/8
	5770507	PTO ASSEMBLY 21 SPLINE 1"3/8
	5770521	PTO ASSEMBLY 6 SPLINE 1"3/4
	5770522	PTO ASSEMBLY 20 SPLINE 1"3/4
	5770493.01	FULL GUARD
2	-	½ PTO
3	-	½ PTO
4	-	½ GUARD
5	-	½ GUARD
11	5770455.02	YOKE Z6 X 1 3/8"
11	5770418.01	YOKE Z21 X 1 3/8"
12	5770459.14	LOCK RING
13	5770444.05	OVERRUN YOKE
21	5770455.05	UJ
24	5770459.04	CENTRE BODY
25	-	UJ
26	-	-
27	5770440.07	YOKE
28	N/A	TENSION PIN 10X80
29	5770493.03	INNER TUBE
30	5770490.04	TUBE CAP
31	5770490.05	SCREW
32	5770493.04	WIPER SEAL
33	5770493.02	OUTER TUBE
36	N/A	TENSION PIN
37	5770490.12	YOKE
38	5770441.14	UJ
51	5770449.11	GUARD
52	N/A	SCREW X 10
53	5770440.14	BEARING RING
54	-	-
55	5770455.06	GUARD
56	5770493.05	GUARD
57	5770490.09	GUARD
58	5770459.09	BEARING RING

Spearhead STARCUT 730

CENTRE SHAFT - (WALTERSCHEID)



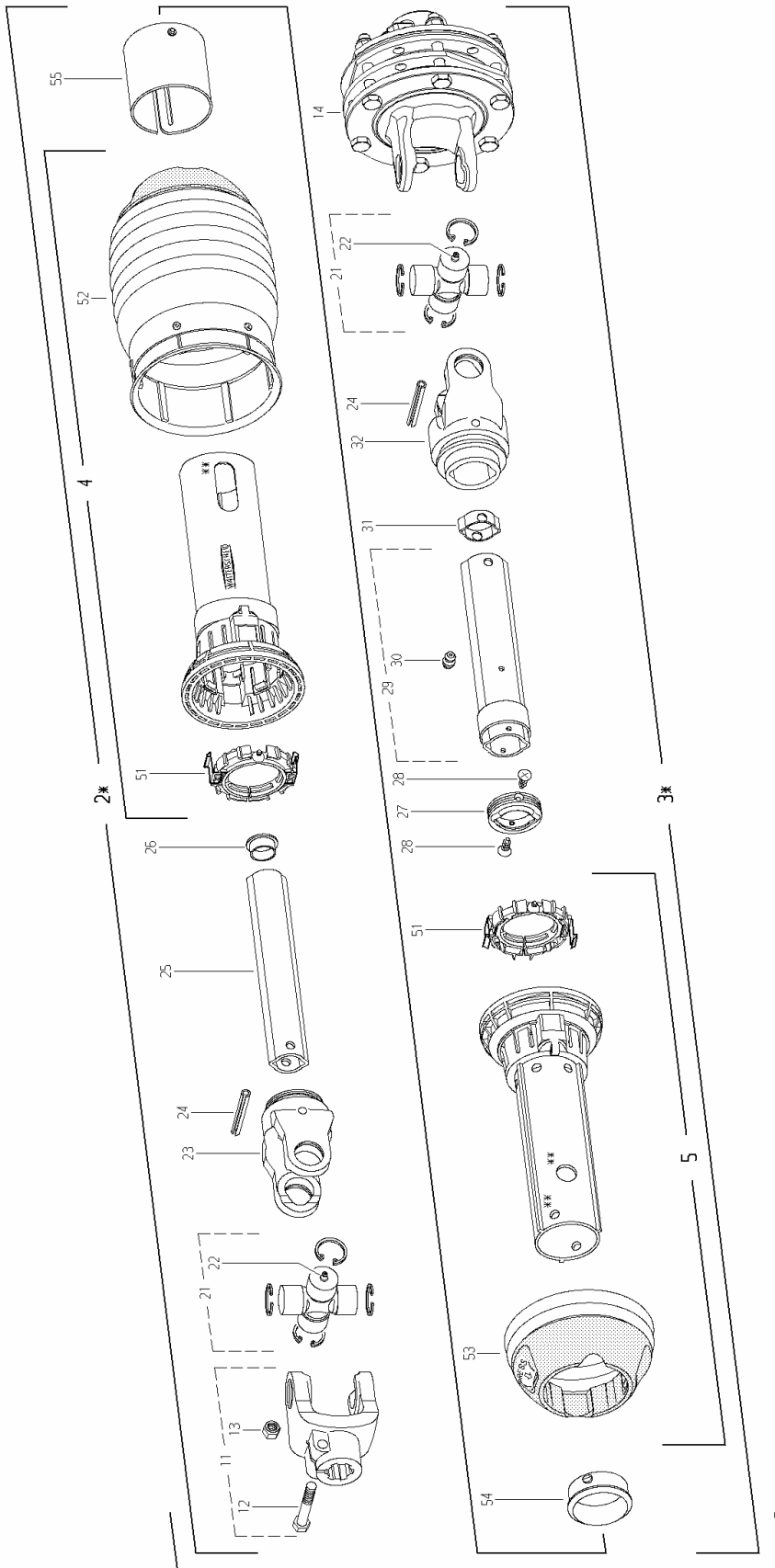
Spearhead STARCUT 730

CENTRE SHAFT - (WALTERSCHEID)

REF. NO	PART NO. 1000	DESCRIPTION
1	5770500	CENTRE SHAFT ASSY
	-	FULL GUARD
2	N/A	INNER ½ PTO
3	N/A	OUTER ½ PTO
4	5770456.03	OUTER GUARD ½
5	5770456.04	INNER GUARD ½
11	5770456.02	YOKE (21 SPLINE)
12	N/A	BOLT
13	N/A	NUT
14	-	CLUTCH ASSY
21	5770441.12	UJ
22	N/A	GREASE NIPPLE
23	5770443.02	YOKE
24	N/A	TENSION PIN 10 X 80
25	5770425.03	INNER TUBE
26	5770425.05	OUTER TUBE
27	5770458.04	YOKE
51	5770459.09	BEARING RING
52	5770456.06	GUARD
53	5770456.07	GUARD

Spearhead STARCUT 730

INNER WING SHAFT - (WALTERSCHEID)



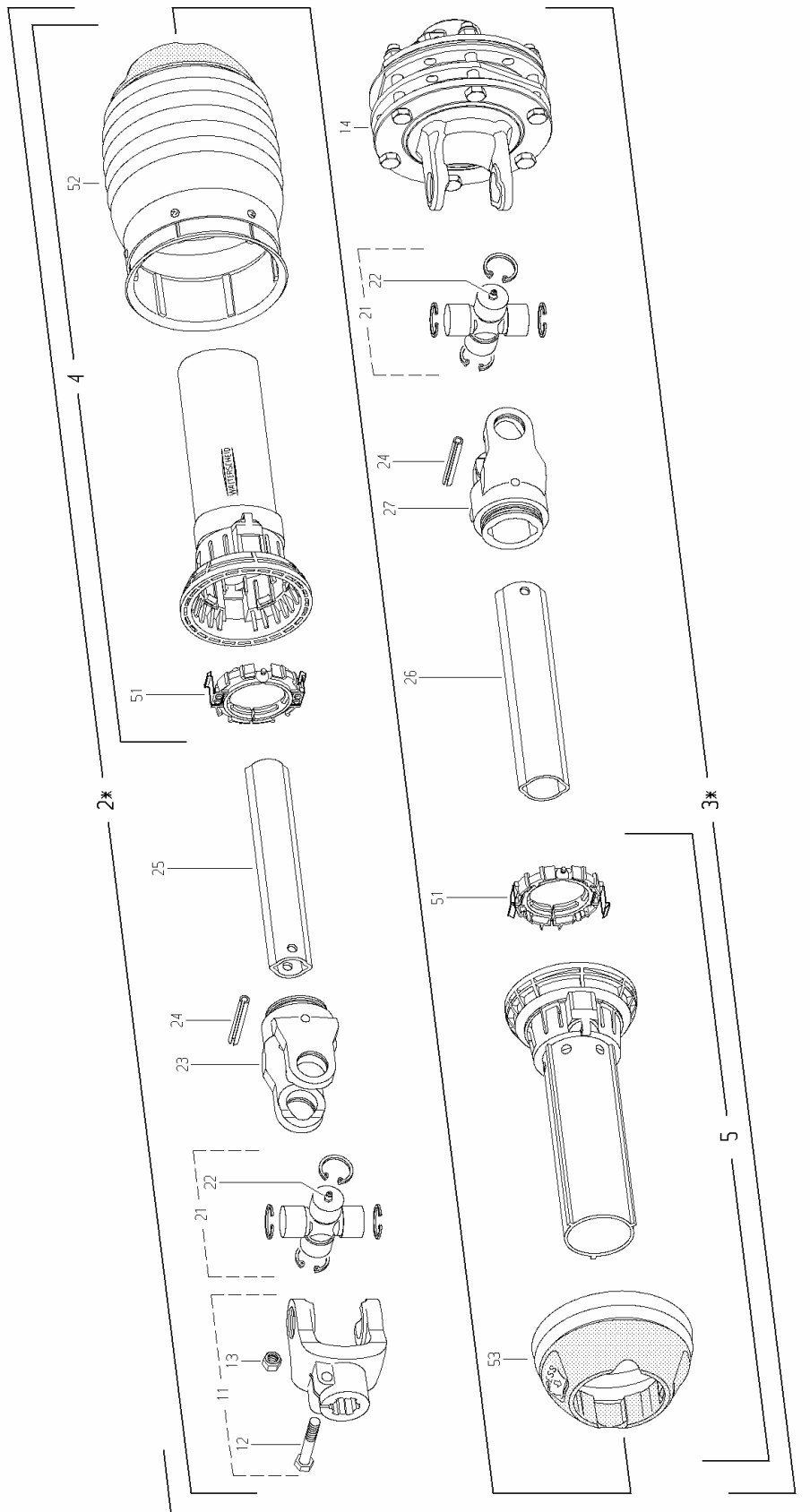
Spearhead STARCUT 730

INNER WING SHAFT - (WALTERSCHEID)

Ref. No	Part No.	Description
1	5770502	POWERDRIVE WING SHAFT ASSY
	5770492.01	FULL GUARD
2	N/A	INNER ½ PTO
3	N/A	OUTER ½ PTO
4	N/A	OUTER GUARD ½
5	N/A	INNER GUARD ½
11	5770455.03	YOKE (6 SPLINE)
12	N/A	BOLT
13	N/A	NUT
14	N/A	CLUTCH ASSY
21	5770441.12	UJ
22	N/A	GREASE NIPPLE
23	5770443.02	YOKE
24	N/A	TENSION PIN 10 X 80
25	5770492.02	INNER TUBE
26	N/A	TUBE CAP
27	5770492.03	WIPER SEAL
28	5770492.04	SCREW
29	5770492.05	OUTER TUBE
31	5770492.06	TUBE - INNER PIECE
32	5770443.09	YOKE
51	5770459.09	BEARING RING
52	5770456.06	GUARD
53	5770456.07	GUARD
54	5770460.05	GUARD
55	5770440.13	GUARD

Spearhead STARCUT 730

OUTER WING SHAFT - (WALTERSCHEID)



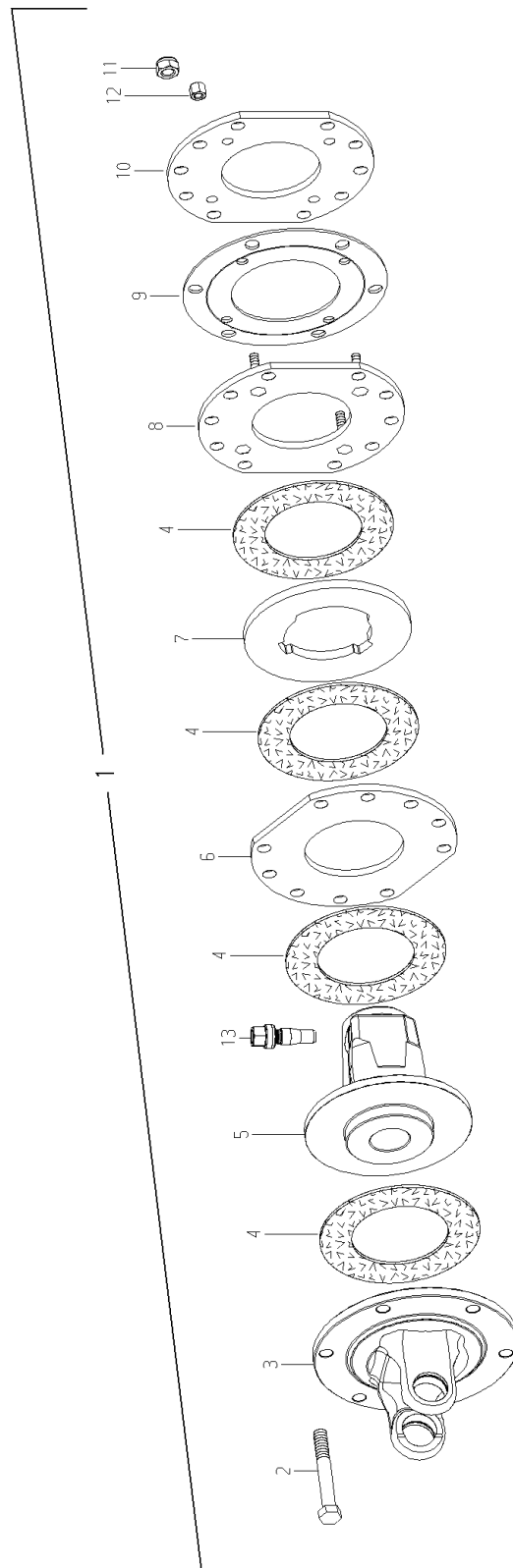
Spearhead STARCUT 730

OUTER WING SHAFT - (WALTERSCHEID)

REF. NO	PART NO.	DESCRIPTION
1	5770503	CENTRE SHAFT ASSY
	5770495.01	FULL GUARD
2	N/A	INNER ½ PTO
3	N/A	OUTER ½ PTO
4	5770458.03	OUTER GUARD ½
5	5770456.04	INNER GUARD ½
11	5770416.06	YOKE
12	N/A	BOLT
13	N/A	NUT
14	-	CLUTCH ASSY
21	5770441.12	UJ
22	N/A	GREASE NIPPLE
23	5770443.02	YOKE
24	N/A	TENSION PIN 10 X 80
25	5770425.03	INNER TUBE
26	5770425.05	OUTER TUBE
27	5770458.04	YOKE
51	5770459.09	BEARING RING
52	5770456.06	GUARD
53	5770456.07	GUARD

Spearhead STARCUT 730

CLUTCH - (WALTERSCHEID)



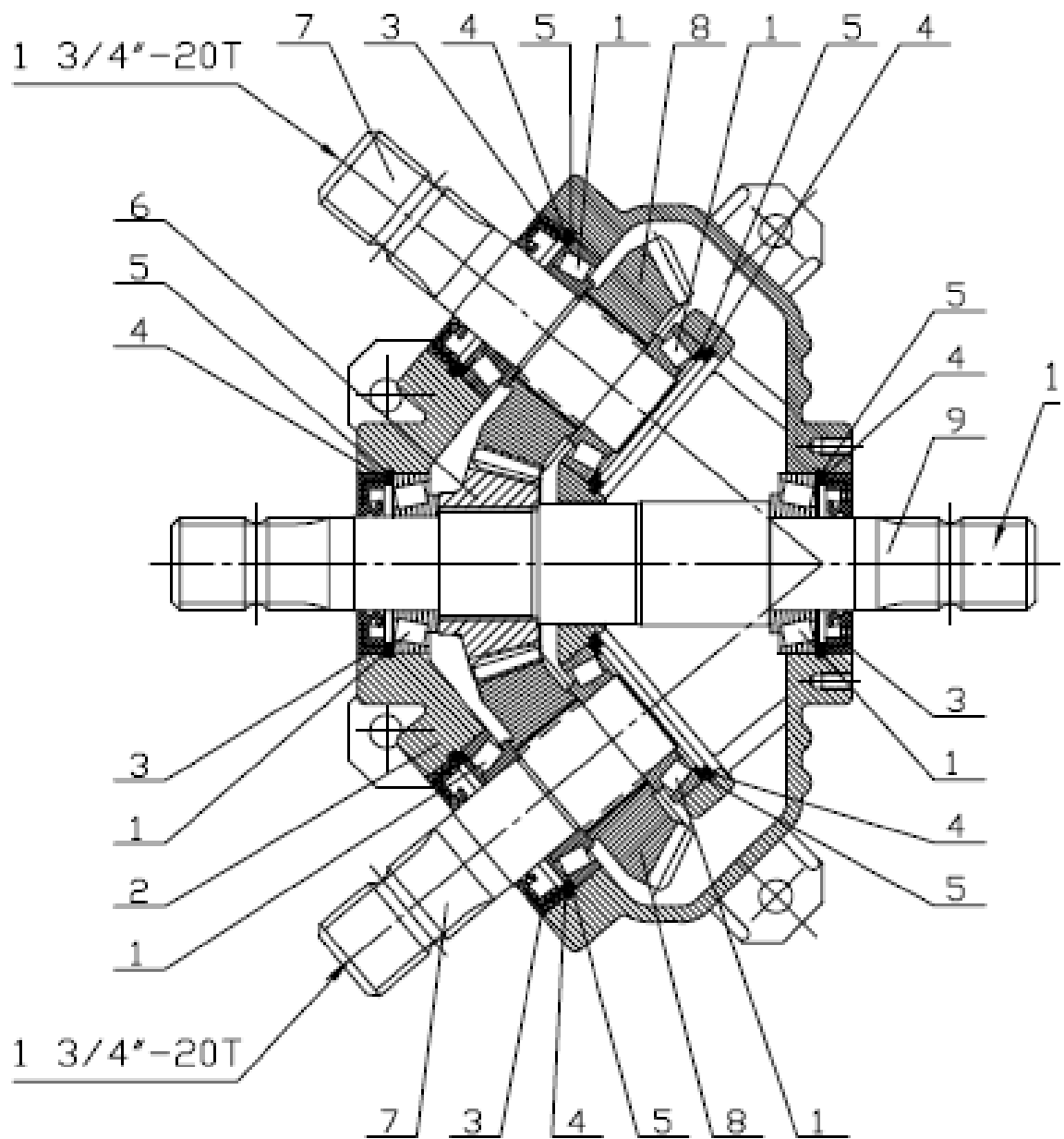
Spearhead STARCUT 730

CLUTCH - (WALTERSCHEID)

Ref.No	Part.No	Description
1	-	CLUTCH ASSEMBLY
2	5770491.01	BOLT
3	5770491.02	FLANGE YOKE
4	5770441.03	FRICTION DISK
5	5770491.03	HUB Z20 X 1"3/4
6	5770445.03	DRIVE PLATE
7	5770491.04	DRIVE PLATE
8	5770491.05	THRUST FLANGE
9	5770491.06	SPRING PLATE
10	5770491.07	CLAMP PLATE
11	5770491.08	NUT
12	5770491.09	NUT
13	5770491.10	YOKE - CLAMP BOLT - 1"3/4 Z20
13	5770491.12	YOKE - CLAMP BOLT - 1"3/8 Z6

Spearhead STARCUT 730

SPLITTER GEARBOX - (WALTERSCHEID)



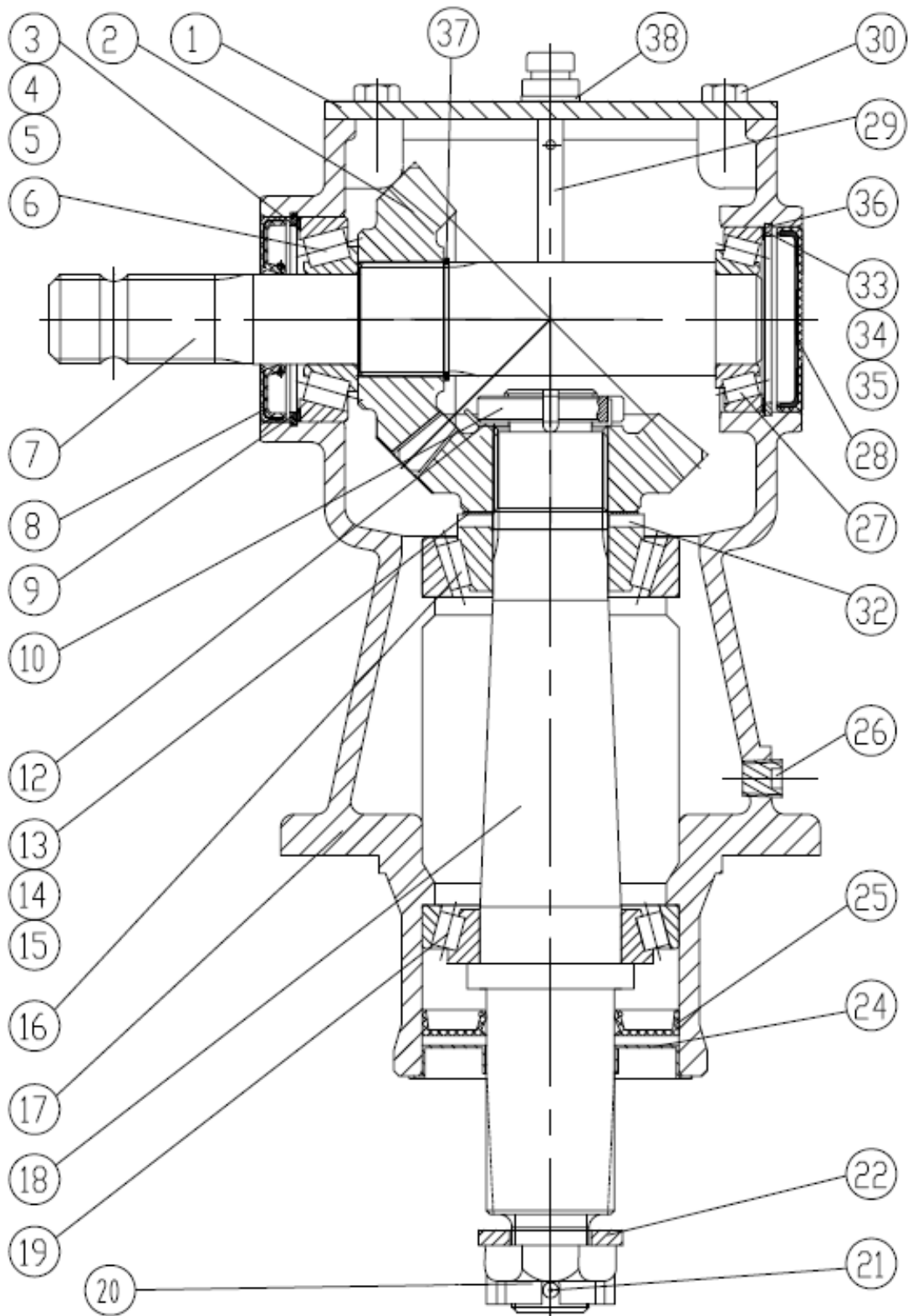
Spearhead STARCUT 730

SPLITTER GEARBOX - (WALTERSCHEID)

Ref. No	Part No.	Description
	5770432	SPLITTER GEARBOX
1	4770660	BEARING
2	N/A	HOUSING
3	5770432.05	SEAL
4	2777517	CIRCLIP
5	N/A	SHIM
6	5770432.01	GEAR
7	5770432.02	OUTPUT SHAFT
8	5770432.03	GEAR
9	5770432.04	INPUT SHAFT
10	N/A	COVER
11	N/A	BOLT
12	N/A	SPRING WASHER
13	N/A	PLUG
14	5770432.06	DIPSTICK

Spearhead STARCUT 730

CENTRE GEARBOX - (WALTERSCHEID)



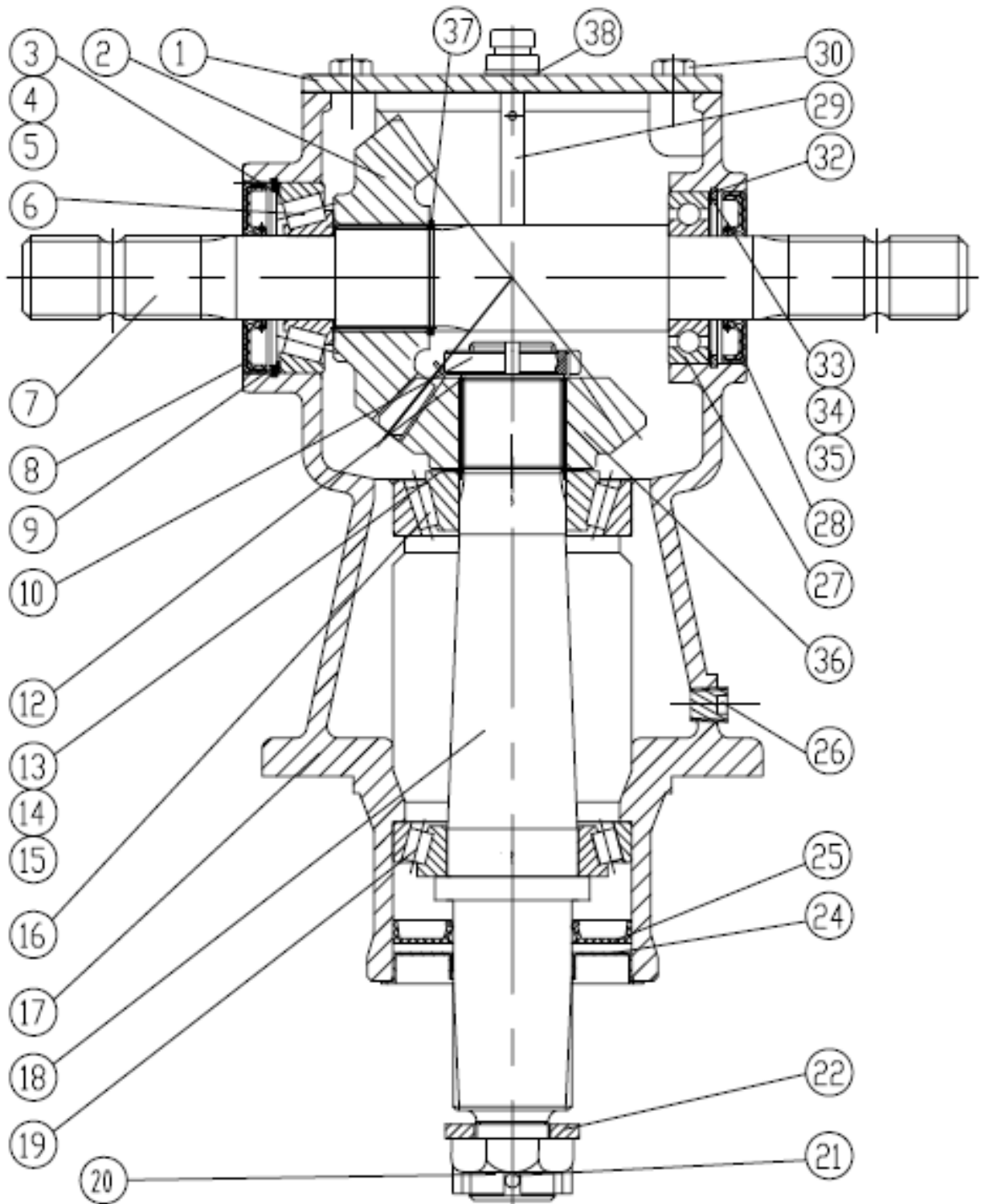
Spearhead STARCUT 730

CENTRE GEARBOX - (WALTERSCHEID)

Ref. No	Part No.	Description
	5770412	CENTRE GEARBOX ASSEMBLY
1	-	COVER
2	5770412.01	GEAR Z19
3	-	SHIM
4	-	SHIM
5	-	SHIM
6	4771601	BEARING
7	5770412.03	SHAFT
8	4771124	SEAL
9	-	CIRCLIP
10	-	NUT
12	-	WASHER
13	-	SHIM
14	-	SHIM
15	-	SHIM
16	4771603	BEARING
17	-	HOUSING
18	5770420.05	SHAFT
19	4771602	BEARING
20	-	NUT
21	-	PIN
22	-	WASHER
24	5770420.01	SHEILD
25	5770420.02	SEAL
26	-	PLUG
27	4770658	BEARING
28	4771503	CAP
29	5770420.06	DIPSTICK
30	-	BOLT
31	-	IDENTIFICATION
32	-	SHIM
33	-	SHIM
34	-	SHIM
35	-	SHIM
36	-	CIRCLIP
37	-	CIRCLIP
38	-	WASHER

Spearhead STARCUT 730

INNER WING GEARBOX - (WALTERSCHEID)



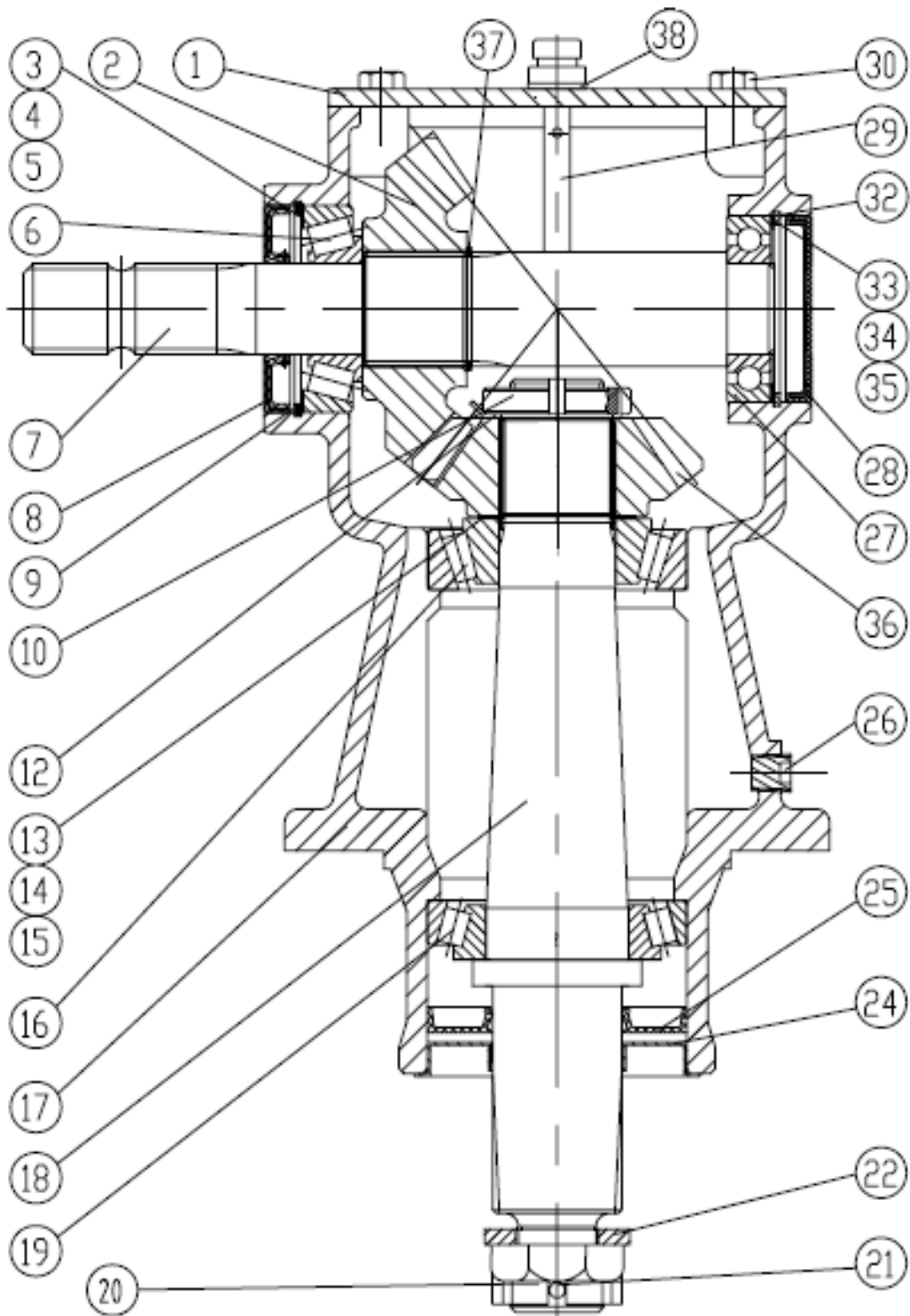
Spearhead STARCUT 730

INNER WING GEARBOX - (WALTERSCHEID)

Ref. No	Part no.	Description
	5770420	WING ROTOR GEARBOX
1		COVER
2	5770420.03	GEAR Z20
3	-	SHIM 0.1MM
4	-	SHIM 0.3MM
5	-	SHIM 0.5MM
6	4771601	BEARING
7	5770420.04	SHAFT Z6
8	4771124	SEAL
9	-	CIRCLIP
10	-	NUT
11	-	N/A
12	-	WASHER
13	-	SHIM 0.1MM
14	-	SHIM 0.3MM
15	-	SHIM 0.5MM
16	4771603	BEARING
17	N/A	HOUSING
18	5770420.05	SHAFT
19	4771602	BEARING
20	-	NUT
21	-	PIN
22	-	WASHER
23	-	N/A
24	5770420.01	SHEILD
25	5770420.02	SEAL
26	-	PLUG
27	4771600	BEARING
28	4771501	SEAL
29	5770420.06	DIPSTICK
30	-	BOLT
31	-	IDENTIFICATION
32	-	CIRCLIP
33	-	SHIM 0.1MM
34	-	SHIM 0.3MM
35	-	SHIM 0.5MM
36	5770420.07	GEAR Z16
37	-	CIRCLIP
38	-	WASHER

Spearhead STARCUT 730

RH OUTER WING GEARBOX - (WALTERSCHEID)



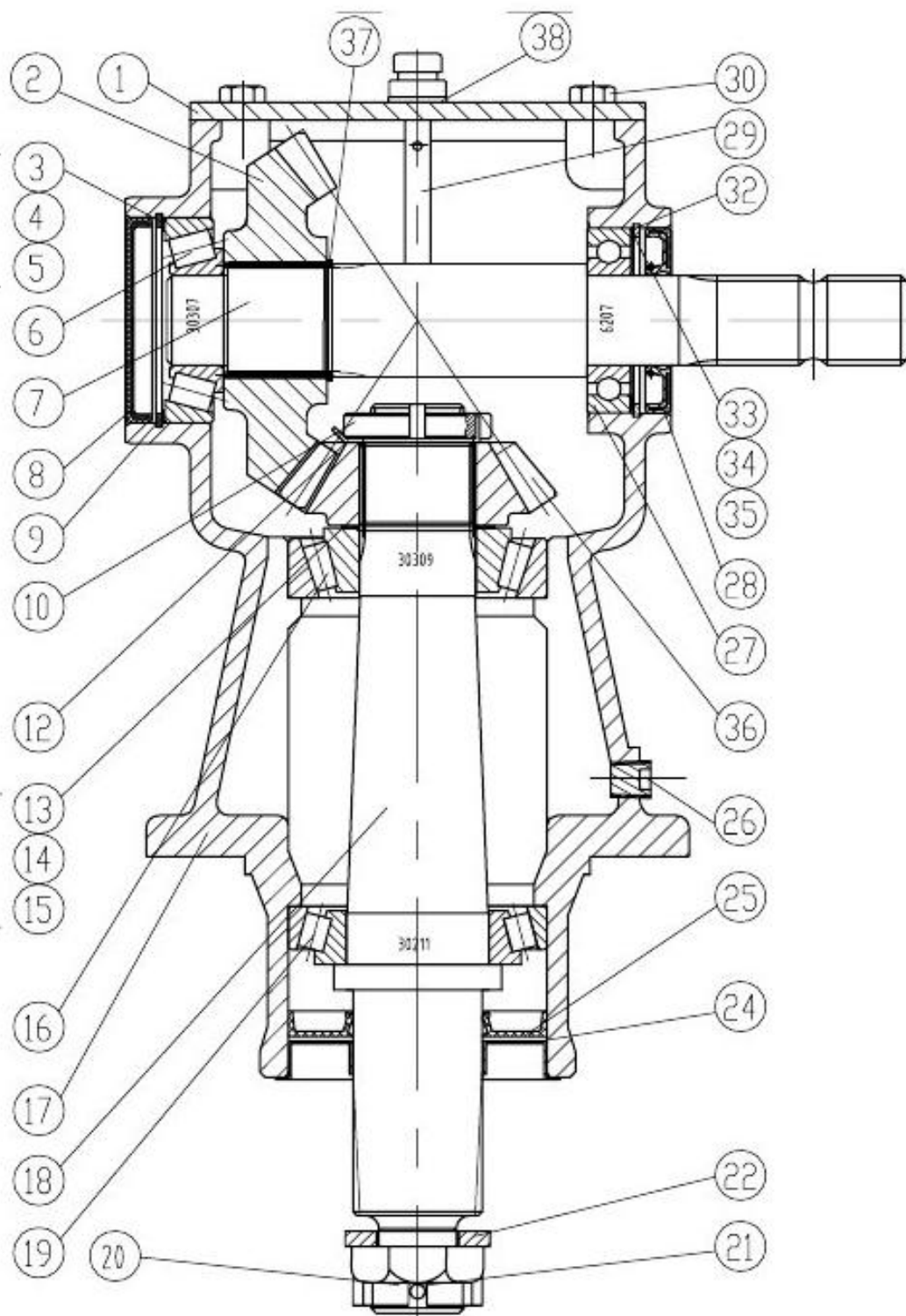
Spearhead STARCUT 730

RH OUTER WING GEARBOX - (WALTERSCHEID)

REF. NO	PART NO.	DESCRIPTION
	5770430	ASSEMBLY
1	N/A	COVER
2	5770430.01	GEAR SET
3	N/A	SHIM
4	N/A	SHIM
5	N/A	SHIM
6	4771601	BEARING
7	5770413.01	INPUT SHAFT
8	4771502	SEAL
9	N/A	CIRCLIP
10	N/A	NUT
12	N/A	WASHER
13	N/A	SHIM
14	N/A	SHIM
15	N/A	SHIM
16	4771603	BEARING
17	N/A	HOUSING
18	5770430.02	OUTPUT SHAFT
19	4771602	BEARING
20	N/A	NUT
21	N/A	PIN
22	30.214.47	BELLEVILLE WASHER
24	5770420.01	SHIELD
25	5770420.02	SEAL
26	N/A	PLUG
27	4771600	BEARING
28	4771501	SEAL
29	5770420.06	DIPSTICK
30	N/A	BOLT
32	N/A	CIRCLIP
33	N/A	SHIM
34	N/A	SHIM
35	N/A	SHIM
36	5770430.03	GEAR SET
37	N/A	CIRCLIP
38	N/A	WASHER

Spearhead STARCUT 730

LH OUTER WING GEARBOX - (WALTERSCHEID)



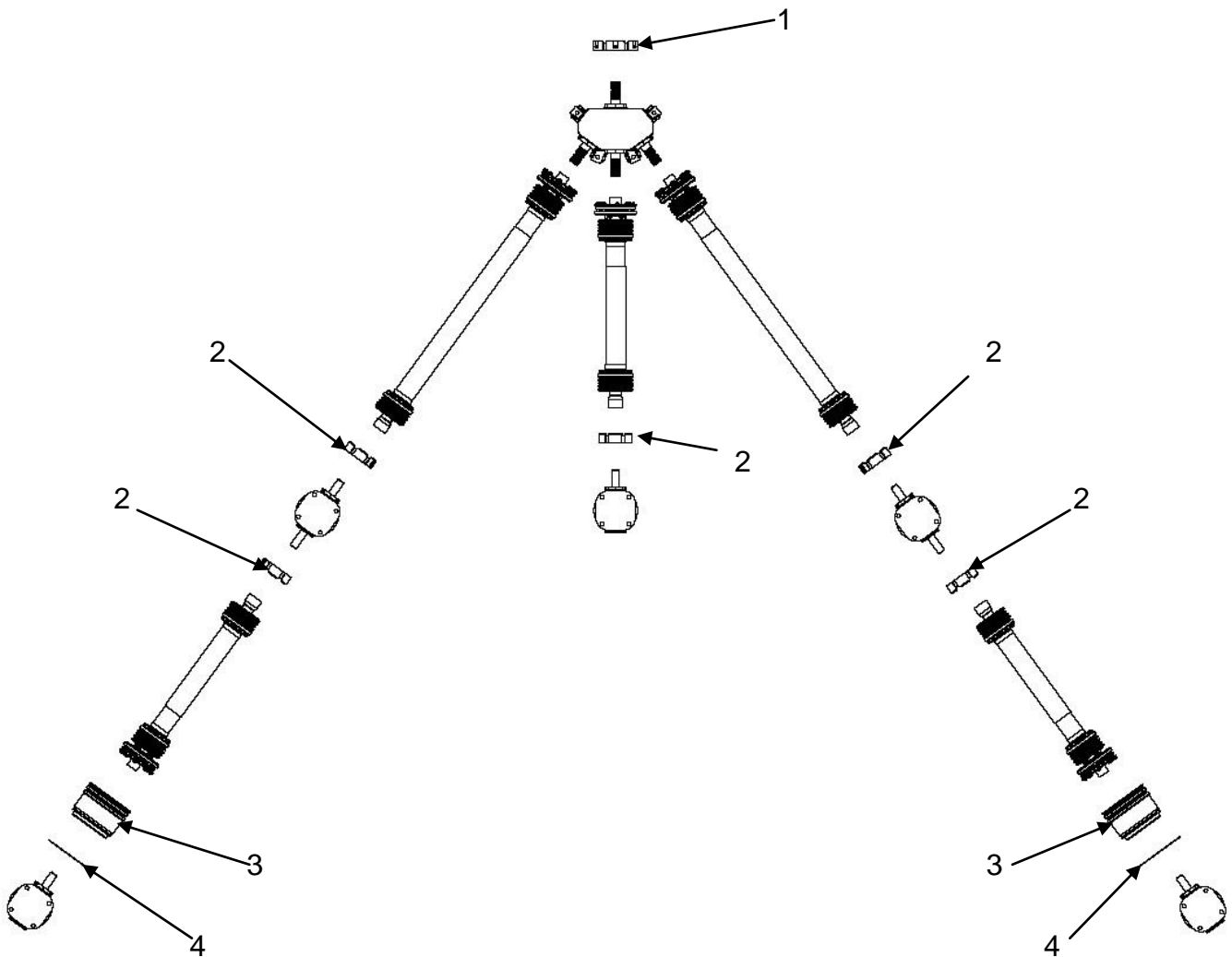
Spearhead STARCUT 730

LH OUTER WING GEARBOX - (WALTERSCHEID)

REF. NO	PART NO.	DESCRIPTION
	5770431	ASSEMBLY
1	N/A	COVER
2	5770430.01	GEAR SET
3	N/A	SHIM
4	N/A	SHIM
5	N/A	SHIM
6	4771601	BEARING
7	5770431.02	INPUT SHAFT
8	4771502	SEAL
9	N/A	CIRCLIP
10	N/A	NUT
12	N/A	WASHER
13	N/A	SHIM
14	N/A	SHIM
15	N/A	SHIM
16	4771603	BEARING
17	N/A	HOUSING
18	5770430.02	OUTPUT SHAFT
19	4771602	BEARING
20	N/A	NUT
21	N/A	PIN
22	30.214.47	BELLEVILLE WASHER
24	5770420.01	SHIELD
25	5770420.02	SEAL
26	N/A	PLUG
27	4771600	BEARING
28	4771501	SEAL
29	5770420.06	DIPSTICK
30	N/A	BOLT
32	N/A	CIRCLIP
33	N/A	SHIM
34	N/A	SHIM
35	N/A	SHIM
36	5770430.03	GEAR SET
37	N/A	CIRCLIP
38	N/A	WASHER

Spearhead STARCUT 730

PTO CONES AND ADAPTORS



Ref.No	Part.No	Description
1	5770511	ADAPTOR FOR INPUT SHAFT
2	5770472	ADAPTOR FOR WING SHAFT
3	21839.01	QUICK RELEASE CONE
4	180065	CONE COVER PLATE

Spearhead STARCUT 730

DECALS - S180025.26



1



2



3



4



5



6



7



8



9



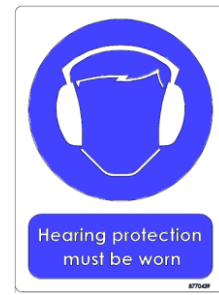
10



11



12



18



13



14



15



16



17



19

Spearhead STARCUT 730

DECALS - S180025.26

REF. NO	PART NO.	DESCRIPTION
1	8770363	READ MANUAL
2	8770367	READ MANUAL
3	8770342	LIFT POINT
4	8770307	GB STICKER
5	8770381	HEIGHT GAUGE
6	8770322	GREASE POINT
7	8770340	READ MANUAL
8	8770361	MOVING BLADES
9	8770306	KEEP BOLTS TIGHT
10	8770355	RAM STOP
11	8770362	ESCAPING FLUID
12	8770357	KEEP YOUR DISTANCE
13	8770368	DANGER UN-PROPED
14	8770358	REMOVE KEY
15	8770305	540 PTO
16	8770323	1000 PTO
-	8770372	STARCUT 730
-	8770371	SPEARHEAD
17	8770455	SLIP CLUTCH STICKER
18	8770439	WEAR HEARING PROTECTION
19	8770451	NO RIDING ON MACHINE