

Spearhead

STARCUT 500



Edition 2.0 - Jan 2013
Post Serial No. S136498
Part No. 8999040

PARTS MANUAL

Spearhead STARCUT 500

Contents

| | |
|---------------------------------|----|
| Ordering Your Parts | 3 |
| Centre Section | 4 |
| Wing Section | 6 |
| Centre Axle | 8 |
| Wing Axle | 10 |
| Std Drawbar | 12 |
| Tie-Bar Assembly | 14 |
| Front Flap Kit | 16 |
| Mud Guard Kit | 17 |
| Wing Ram Assembly | 18 |
| Height Ram Assembly | 20 |
| Euro Light Kit/French Light Kit | 22 |
| Std Blade Carrier Assembly | 24 |
| Replaceable Blade Carrier Parts | 25 |
| HD6 Blade Carrier Assembly | 26 |
| HD6 Blade Carrier Assembly | 28 |
| Rear Drawbar Assembly | 30 |
| Input Shaft | 32 |
| Centre Shaft | 34 |
| Wing Shaft | 36 |
| Splitter Gearbox | 38 |
| Centre Rotor Gearbox | 40 |
| RH Wing Gearbox | 42 |
| LH Wing Gearbox | 44 |
| PTO Cones and Adaptors | 46 |
| Decals | 47 |

Spearhead STARCUT 500

Ordering Your Part's

When ordering parts please refer to your parts list to help your dealer with your order.

Part number and quantity
Description
Machine model number
Serial number of the machine
Delivery instructions (e.g. next day).

Delivery is normally via carrier direct to your dealer. Please check with your dealer for stock availability and arrangement of dispatch. Ensure you or your dealer has sufficient cover for parts requirement outside factory hours.

When ordering your seal kits please quote both codes stamped on the base of the cylinder.

Important Note

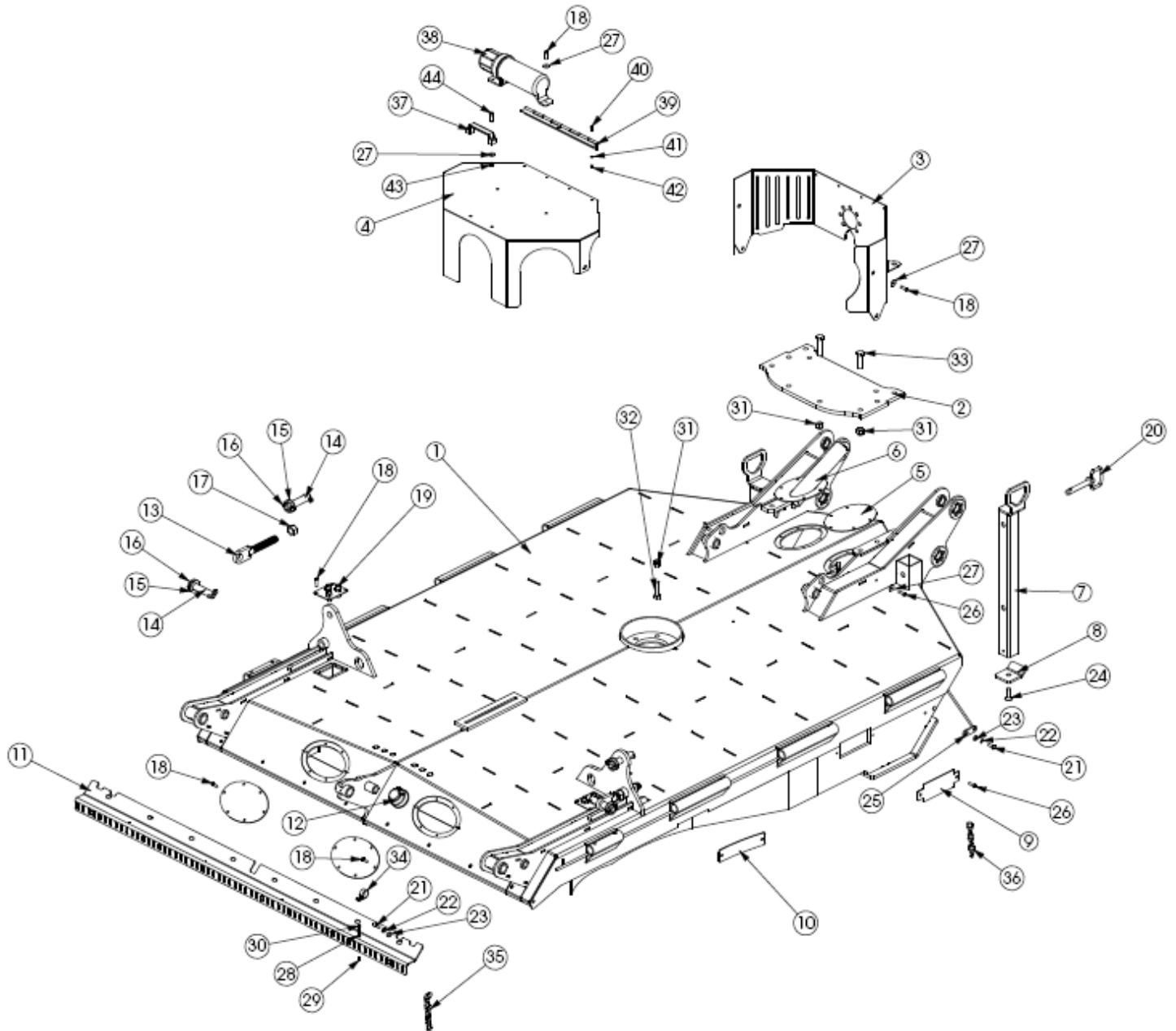
The information contained in this manual is correct at the time of publication. However, in the course of constant development, changes in specification are inevitable. Should you find the information given in this book different to the machine it relates to, please contact the "After Sales Department" for advise.

Key:

(LH) = Left hand
(RH) = *Right hand*

Spearhead STARCUT 500

CENTRE SECTION - S180025.70



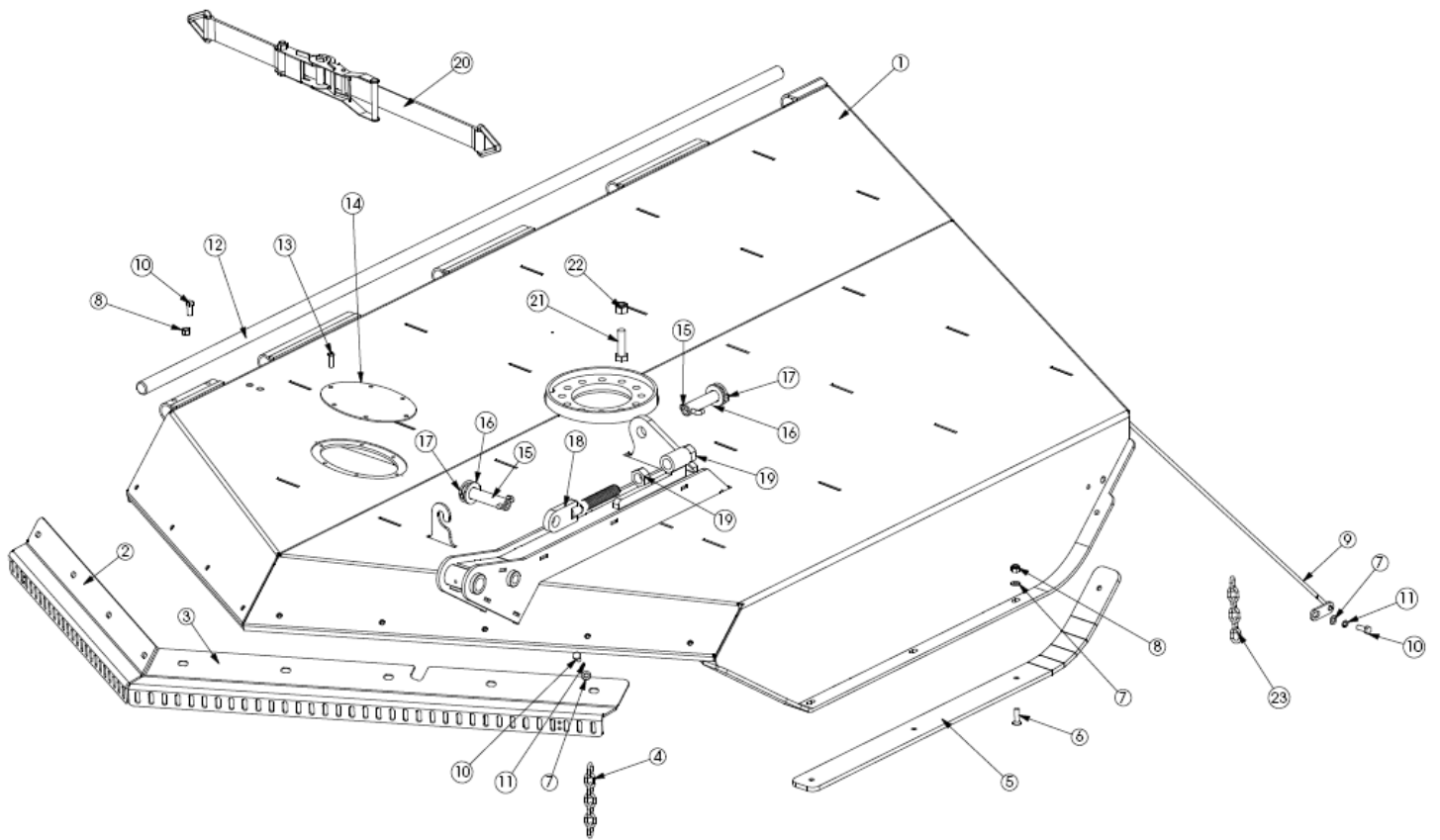
Spearhead STARCUT 500

CENTRE SECTION - S180025.70

| Ref No | Part No. | Qty | Description |
|--------|-----------|-----|--------------------------|
| | | | |
| 1 | 180600 | 1 | CENTRE DECK |
| 2 | 180608 | 1 | PLATE |
| 3 | 180978 | 1 | SPLITTER BOX GUARD MOUNT |
| 4 | 180979 | 1 | SPLITTER BOX GUARD |
| 5 | 180603 | 3 | COVER |
| 6 | 180199 | 1 | HOSE TUBE |
| 7 | 180609 | 2 | LEG BOX |
| 8 | 180634 | 2 | LEG PLATE |
| 9 | 180780 | 2 | PLATE |
| 10 | 180781 | 2 | PLATE |
| 11 | 180658 | 1 | CHAIN GUARD |
| 12 | 8770740 | 1 | LIGHT LOOM |
| 13 | 180611 | 2 | ADJUSTER BOLT |
| 14 | 180602 | 4 | PIN |
| 15 | 05.281.16 | 4 | WASHER |
| 16 | 00.372.01 | 4 | LYNCH PIN |
| 17 | 2770460 | 4 | NUT |
| 18 | 2770370 | 40 | BUTTON BOLT |
| 19 | 180195 | 2 | BULKHEAD ASSY |
| 20 | 6310215 | 4 | PIN |
| 21 | 2770407 | 8 | BOLT |
| 22 | 2770469 | 8 | WASHER |
| 23 | 2770434 | 8 | WASHER |
| 24 | 2770461 | 2 | CSK BOLT |
| 25 | 180665 | 2 | RETAIN BAR |
| 26 | 2770402 | 8 | BOLT |
| 27 | 2771408 | 10 | WASHER |
| 28 | 2770432 | 12 | WASHER |
| 29 | 2770373 | 10 | NUT |
| 30 | 2770613 | 6 | BOLT |
| 31 | 2770447 | 14 | NUT |
| 32 | 2770563 | 12 | BOLT |
| 33 | 05.291.39 | 4 | BOLT |
| 34 | 3850103 | 3 | P-CLIP |
| 35 | 46943.21 | 94 | CHAIN - 7 LINK |
| 36 | 8770623 | 24 | CHAIN - 6 LINK |
| 37 | 8777513 | 1 | HANDLE |
| 38 | 46505.01 | 1 | DOCUMENT FLASK |
| 39 | 180607 | 1 | HINGE |
| 40 | 2770580 | 8 | SCREW |
| 41 | 2770391 | 8 | WASHER |
| 42 | 2770394 | 11 | NUT |
| 43 | 2770416 | 4 | NUT |

Spearhead STARCUT 500

WING SECTION - S180025.71/72



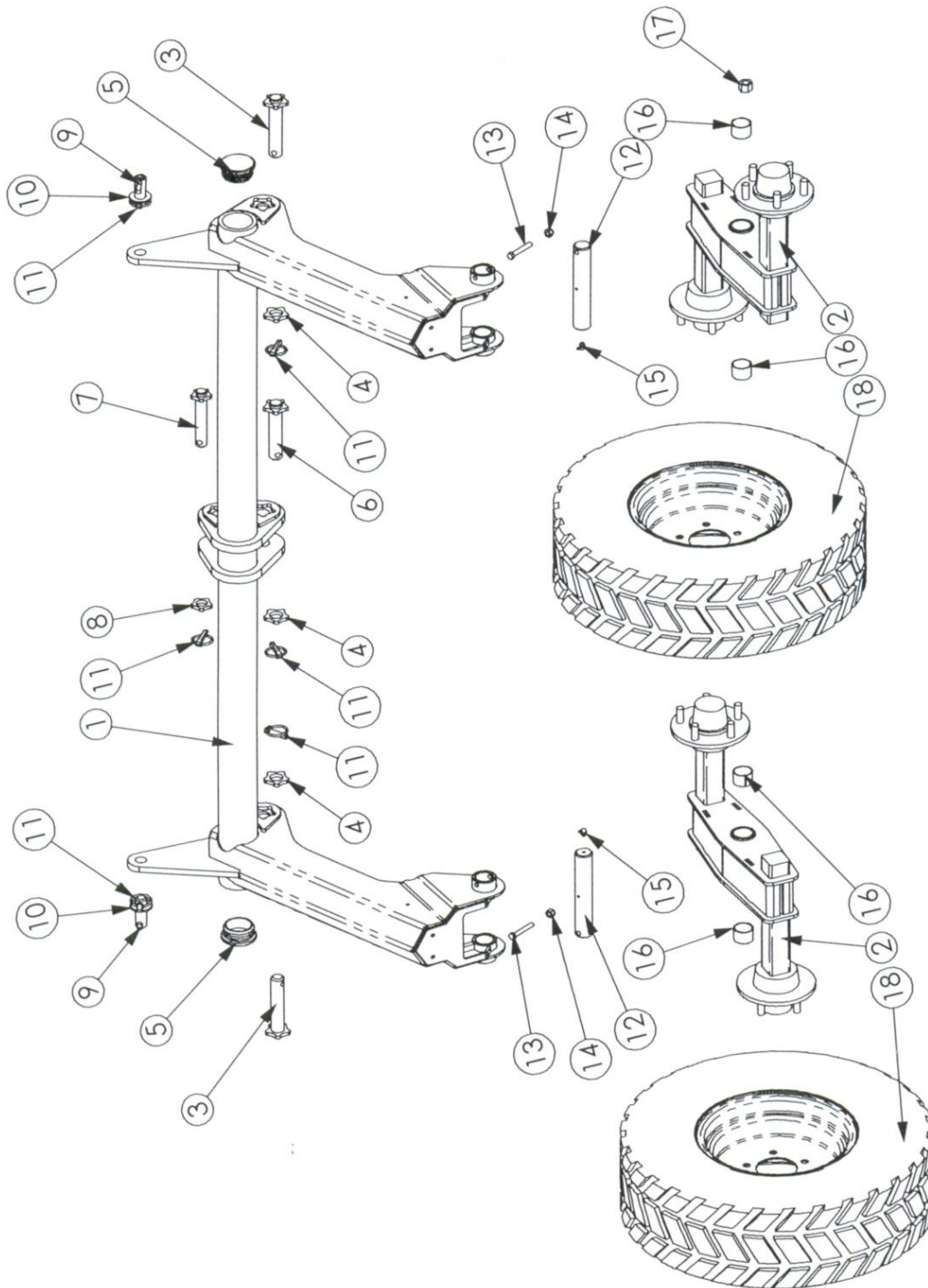
Spearhead STARCUT 500

WING SECTION - S180025.71/72

| Ref No | Part No. | Qty | Description |
|--------|-----------|-----|----------------|
| | | | |
| 1 | 180922 | 1 | RH WING DECK |
| | 180921 | 1 | LH WING DECK |
| 2 | 180616 | 1 | RH INNER GUARD |
| | 180615 | 1 | LH INNER GUARD |
| 3 | 180618 | 1 | RH OUTER GUARD |
| | 180617 | 1 | LH INNER GUARD |
| 4 | 46943.21 | 111 | CHAIN – 7 LINK |
| 5 | 180619 | 1 | SKID |
| 6 | 2770509 | 5 | CSK BOLT |
| 7 | 2770434 | 5 | WASHER |
| 8 | 2770412 | 5 | NUT |
| 9 | 180621 | 1 | RETAIN BAR |
| 10 | 2770407 | 9 | BOLT |
| 11 | 2770469 | 9 | WASHER |
| 12 | 180614 | 1 | HINGE BAR |
| 13 | 2770370 | 6 | BOLT |
| 14 | 180603 | 1 | COVER |
| 15 | 180602 | 1 | PIN |
| 16 | 05.281.16 | 2 | WASHER |
| 17 | 00.372.01 | 2 | LYNCH PIN |
| 18 | 18 0611 | 1 | ADJUSTER BOLT |
| 19 | 2770460 | 2 | NUT |
| 20 | 6310256 | | RACHET STRAP |
| 21 | 2770563 | 6 | BOLT |
| 22 | 2770447 | 6 | NUT |
| 23 | 8770623 | 15 | CHAIN – 6 LINK |

Spearhead STARCUT 500

CENTRE AXLE - S180025.06



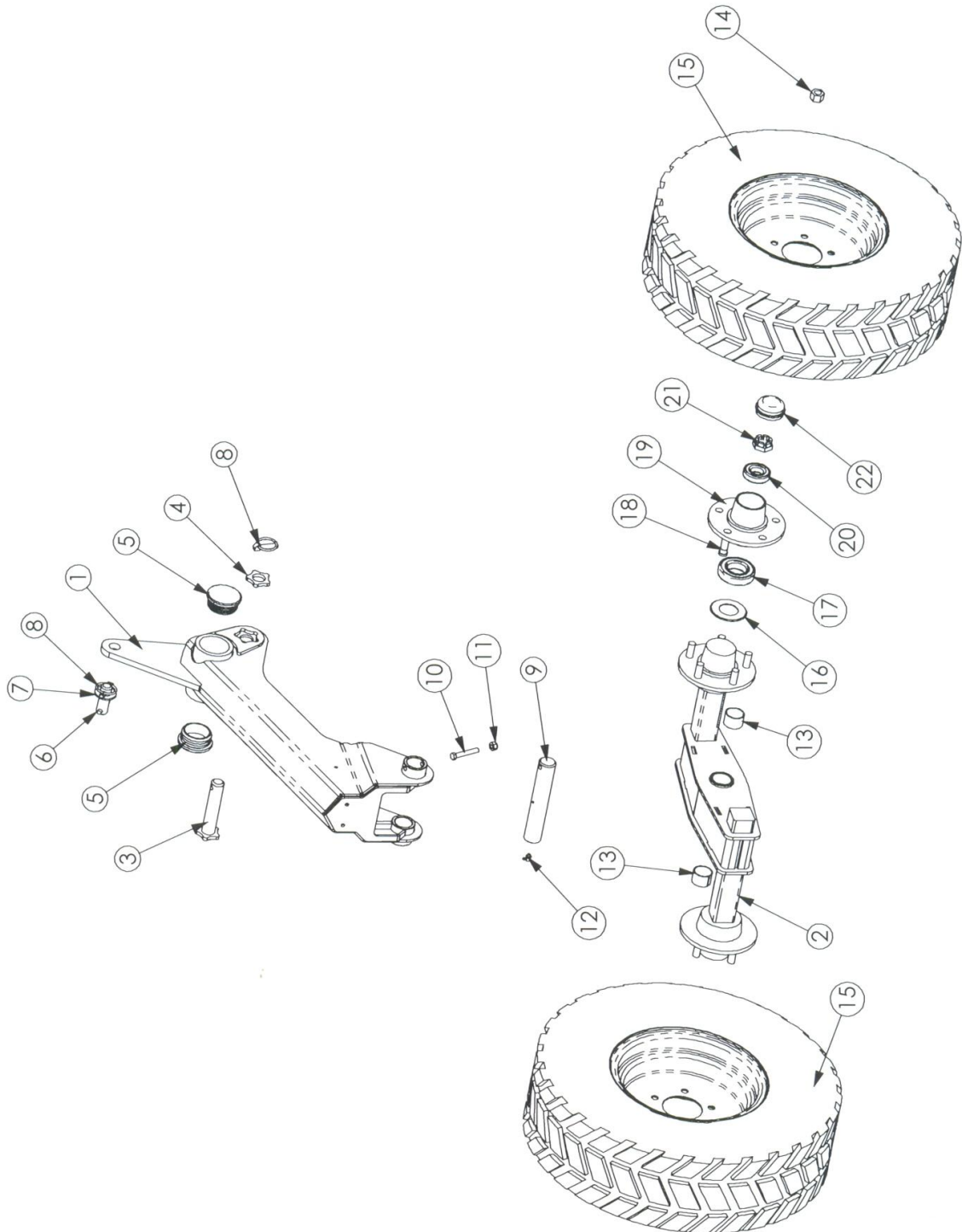
Spearhead STARCUT 500

CENTRE AXLE - S180025.06

| Ref No | Part No. | Qty | Description |
|--------|-----------|-----|----------------|
| | | | |
| 1 | 180622 | 1 | CENTRE AXLE |
| 2 | 180627 | 2 | WHEEL AXLE |
| 3 | 180854 | 2 | STAR PIN |
| 4 | 180851 | 3 | STAR WASHER |
| 5 | 8777512 | 2 | PLASTIC CAP |
| 6 | 180853 | 1 | STAR PIN |
| 7 | 180852 | 1 | STAR PIN |
| 8 | 180850 | 1 | STAR WASHER |
| 9 | 180602 | 2 | PIN |
| 10 | 05.281.16 | 6 | WASHER |
| 11 | 00.372.01 | 6 | LYNCH PIN |
| 12 | 180626 | 2 | PIN |
| 13 | 05.291.20 | 2 | BOLT |
| 14 | 2770412 | 2 | NUT |
| 15 | 2770497 | 2 | GREASE NIPPLE |
| 16 | 4600148 | 4 | BUSH |
| 17 | 6770578 | 20 | WHEEL NUT |
| 18 | 6550142B | 4 | WHEEL ASSEMBLY |

Spearhead STARCUT 500

WING AXLE - S180025.07



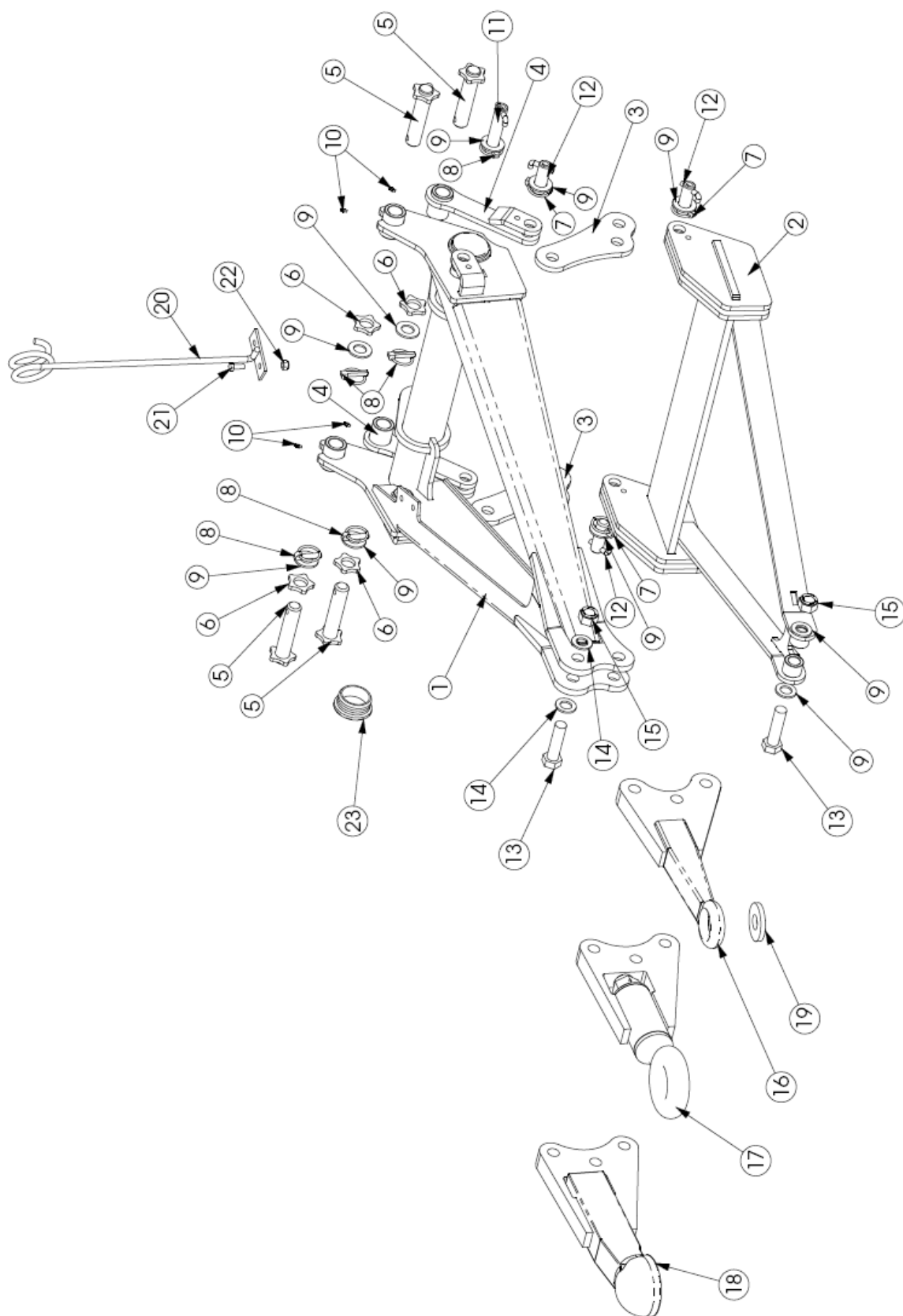
Spearhead STARCUT 500

WING AXLE - S180025.07

| Ref No | Part No. | Qty | Description |
|--------|------------|-----|---------------------------------|
| | | | |
| 1 | 180628 | 1 | WING AXLE |
| 2 | 180627 | 1 | WHEEL AXLE |
| 3 | 180854 | 1 | STAR PIN |
| 4 | 180851 | 1 | STAR WASHER |
| 5 | 8777512 | 2 | PLASTIC CAP |
| 6 | 180602 | 1 | PIN |
| 7 | 05.281.16 | 1 | WASHER |
| 8 | 00.372.01 | 2 | LYNCH PIN |
| 9 | 180626 | 1 | PIN |
| 10 | 05.291.20 | 1 | BOLT |
| 11 | 2770412 | 1 | NUT |
| 12 | 2770497 | 1 | GREASE NIPPLE |
| 13 | 4600148 | 2 | BUSH |
| 14 | 6770578 | 10 | WHEEL NUT |
| 15 | 6550142B | 2 | WHEEL ASSEMBLY |
| 16 | 4770661 | - | SEAL - WHEEL SOLUTIONS |
| 16 | 6770587.03 | - | SEAL - ROC AXLE |
| - | 6770587.04 | - | OUTER SEAL - ROC AXLE |
| 17 | 4770660 | - | INNER BEARING |
| 18 | 6770579 | - | WHEEL STUD |
| 19 | - | - | HUB |
| 20 | 4770659 | - | OUTER BEARING - WHEEL SOLUTIONS |
| 20 | 6770587.02 | - | OUTER BEARING - ROC AXLE |
| 21 | 6770583 | - | CASTLE NUT - WHEEL SOLUTIONS |
| 21 | 6770587.06 | - | CASTLE NUT - ROC AXLE |
| 22 | 6770580 | - | DUST CAP - WHEEL SOLUTIONS |
| 22 | 6770587.01 | - | DUST CAP - ROC AXLE (SCREW-ON) |

Spearhead STARCUT 500

STD DRAWBAR - SI80025.75



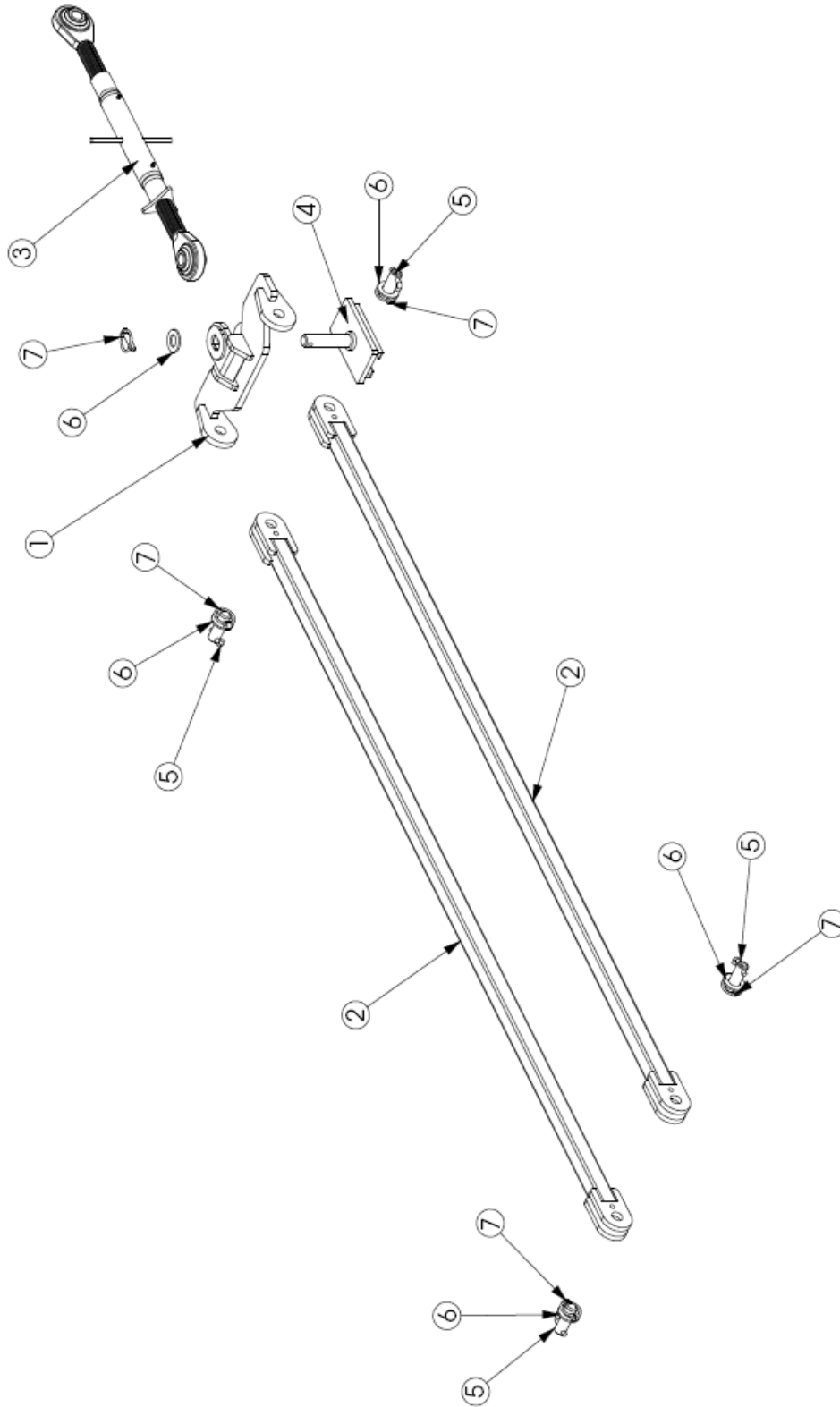
Spearhead STARCUT 500

STD DRAWBAR - SI80025.75

| Ref No | Part No. | Qty | Description |
|--------|-----------|-----|----------------------------|
| | | | |
| 1 | 180630 | 1 | DRAWBAR |
| 2 | 180174 | 1 | PARALLEL LINK |
| 3 | 180635 | 2 | CONNECTING LINK |
| 4 | 180632 | 2 | DRAG LINK |
| 5 | 180853 | 4 | STAR PIN |
| 6 | 180851 | 4 | STAR WASHER |
| 7 | 6310222 | 4 | LYNCH PIN |
| 8 | 00.372.01 | 6 | LYNCH PIN |
| 9 | 05.281.16 | 10 | WASHER |
| 10 | 2770467 | 4 | GREASE NIPPLE |
| 11 | 180625 | 2 | PIN |
| 12 | 180602 | 4 | PIN |
| 13 | 05.255.40 | 1 | BOLT |
| 13 | 0212569 | 1 | BOLT |
| 14 | 180620 | 4 | WASHER |
| 15 | 05.296.08 | 2 | NUT |
| 16 | 180629 | 1 | STD TOWING EYE |
| 17 | 180649 | - | SWIVEL TOWING EYE |
| 18 | 180664 | - | SCHARMULLER K80 TOWING EYE |
| 19 | 4600139 | 1 | THRUST WASHER |
| 20 | 1770692 | 1 | HOSE GUIDE |
| 21 | 2770396 | 2 | BOLT |
| 22 | 2770412 | 2 | NUT |
| 23 | - | - | - |

Spearhead STARCUT 500

TIE-BAR ASSEMBLY - S180025.76



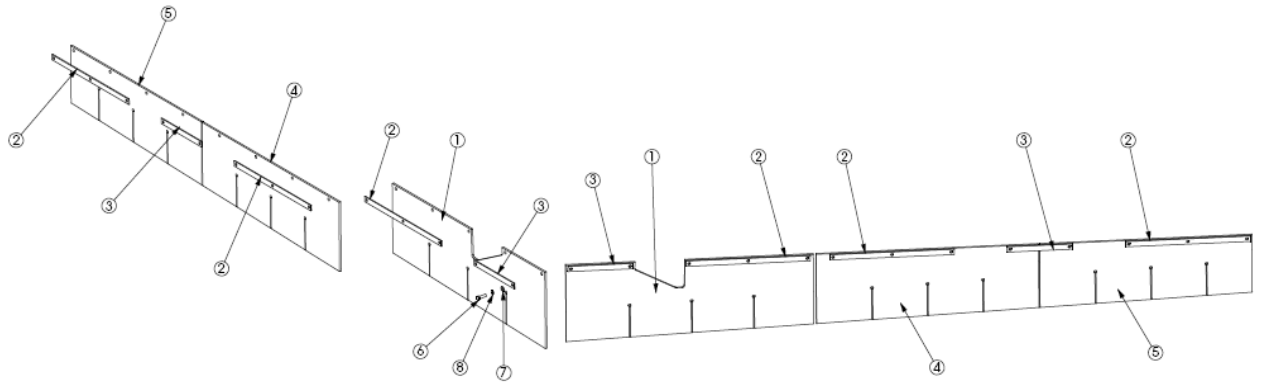
Spearhead STARCUT 500

TIE-BAR ASSEMBLY - S180025.76

| Ref No | Part No. | Qty | Description |
|--------|-----------|-----|------------------|
| | | | |
| 1 | 180198 | 1 | TIE BAR PLATE |
| 2 | 180196 | 2 | TIE BAR |
| 3 | 6310257 | 1 | TIE BAR ADJUSTER |
| 4 | 180197 | 1 | TIE BAR PIN |
| 5 | 180602 | 4 | PIN |
| 6 | 05.281.16 | 6 | WASHER |
| 7 | 00.372.01 | 6 | LYNCH PIN |

Spearhead STARCUT 500

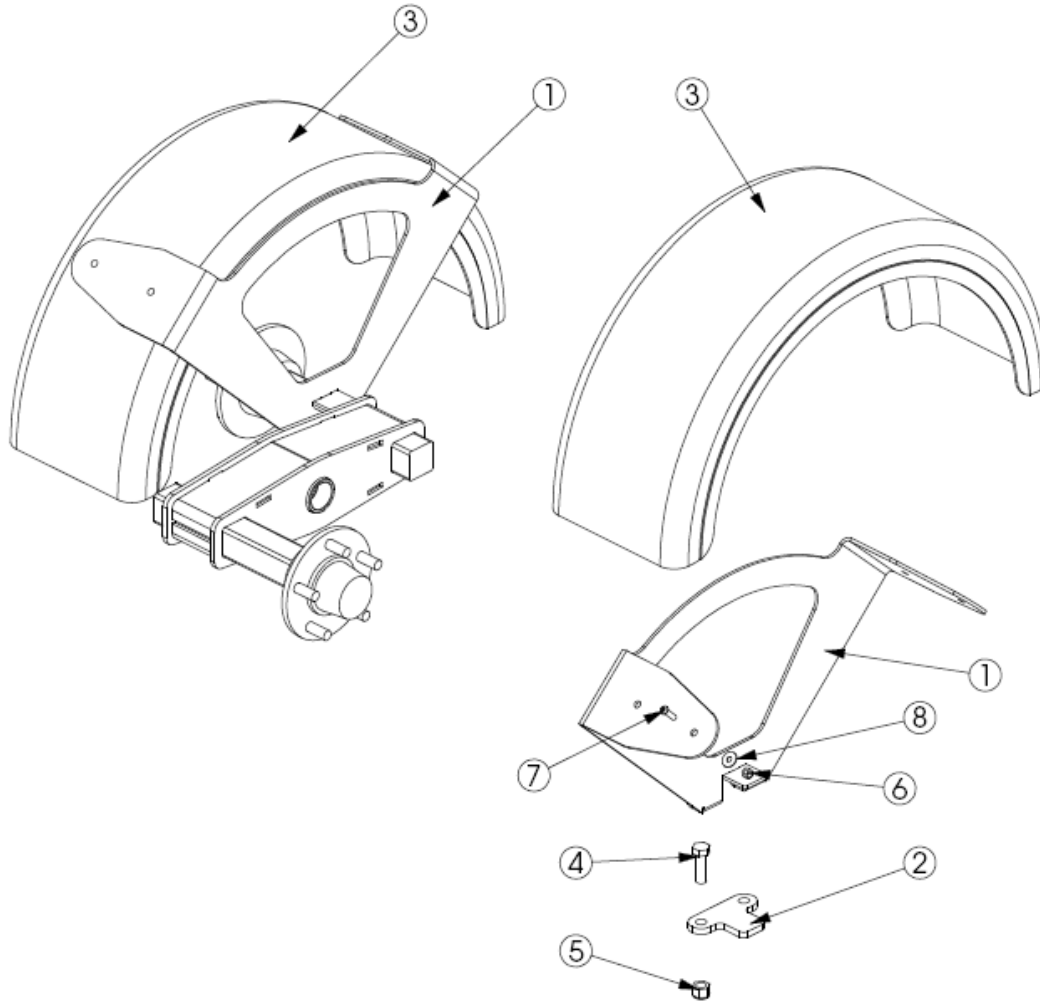
FRONT FLAP KIT - SI80025.88



| Ref No | Part No. | Qty | Description |
|--------|----------|-----|----------------|
| 1 | 8770440 | 2 | CENTRE FLAP |
| 2 | 180200 | 6 | RETAINER STRIP |
| 3 | 180201 | 4 | RETAINER STRIP |
| 4 | 8770441 | 2 | MIDDLE FLAP |
| 5 | 8770442 | 2 | OUTER FLAP |
| 6 | 2770396 | 26 | BOLT |
| 7 | 2770434 | 26 | WASHER |
| 8 | 2770469 | 26 | SPRING WASHER |

Spearhead STARCUT 500

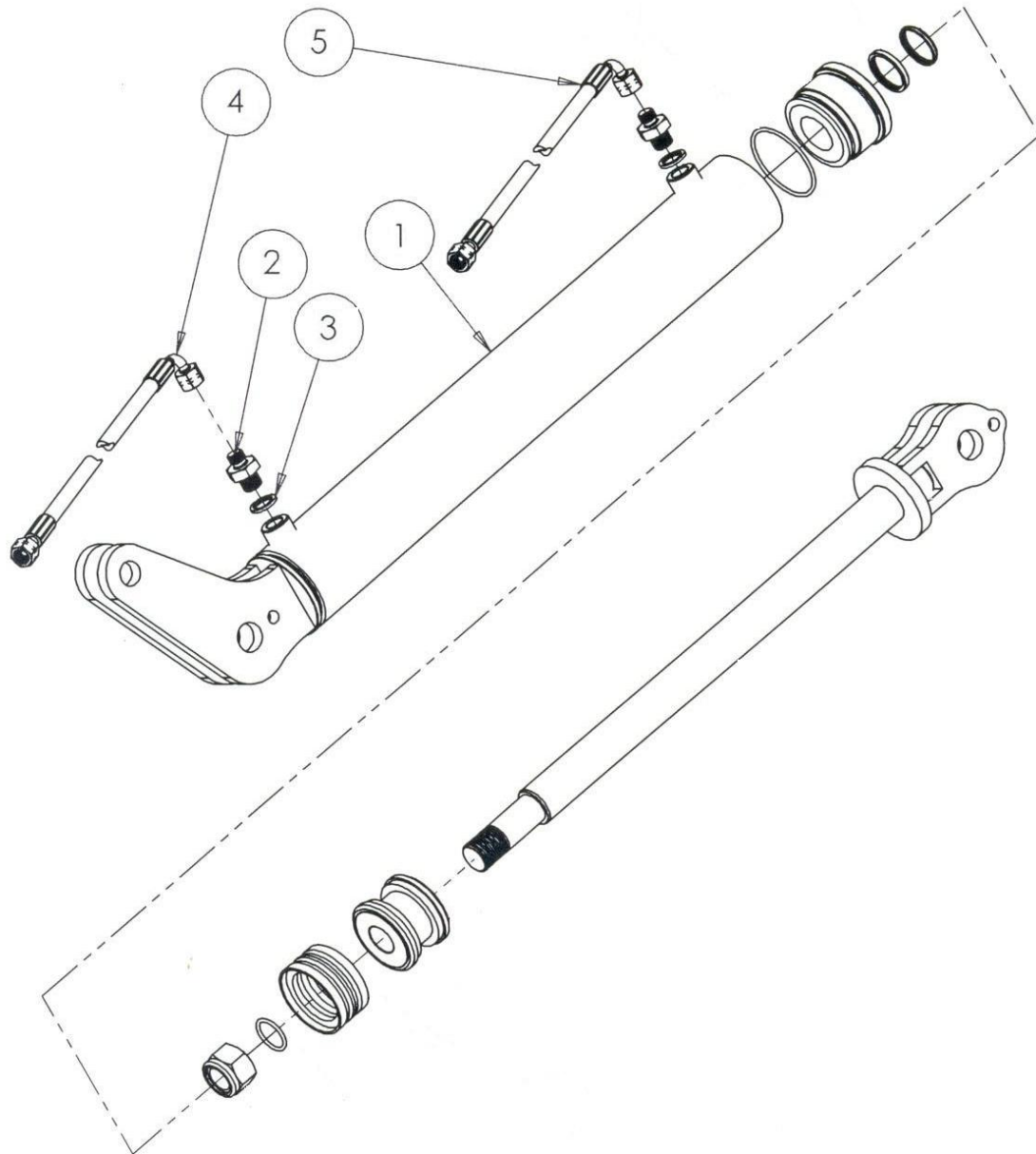
MUD GUARD KIT - SI80025.90



| Ref No | Part No. | Qty | Description |
|--------|----------|-----|-------------------|
| 1 | 180202 | 4 | MUD GUARD BRACKET |
| 2 | 180203 | 4 | CLAMP PLATE |
| 3 | 8770775 | 4 | PLASTIC MUD GUARD |
| 4 | 2770425 | 8 | BOLT |
| 5 | 2770447 | 8 | NUT |
| 6 | 2770416 | 16 | NUT |
| 7 | 2770589 | 16 | BOLT |
| 8 | 2770244 | 16 | WASHER |

Spearhead STARCUT 500

WING RAM ASSEMBLY - S180025.21



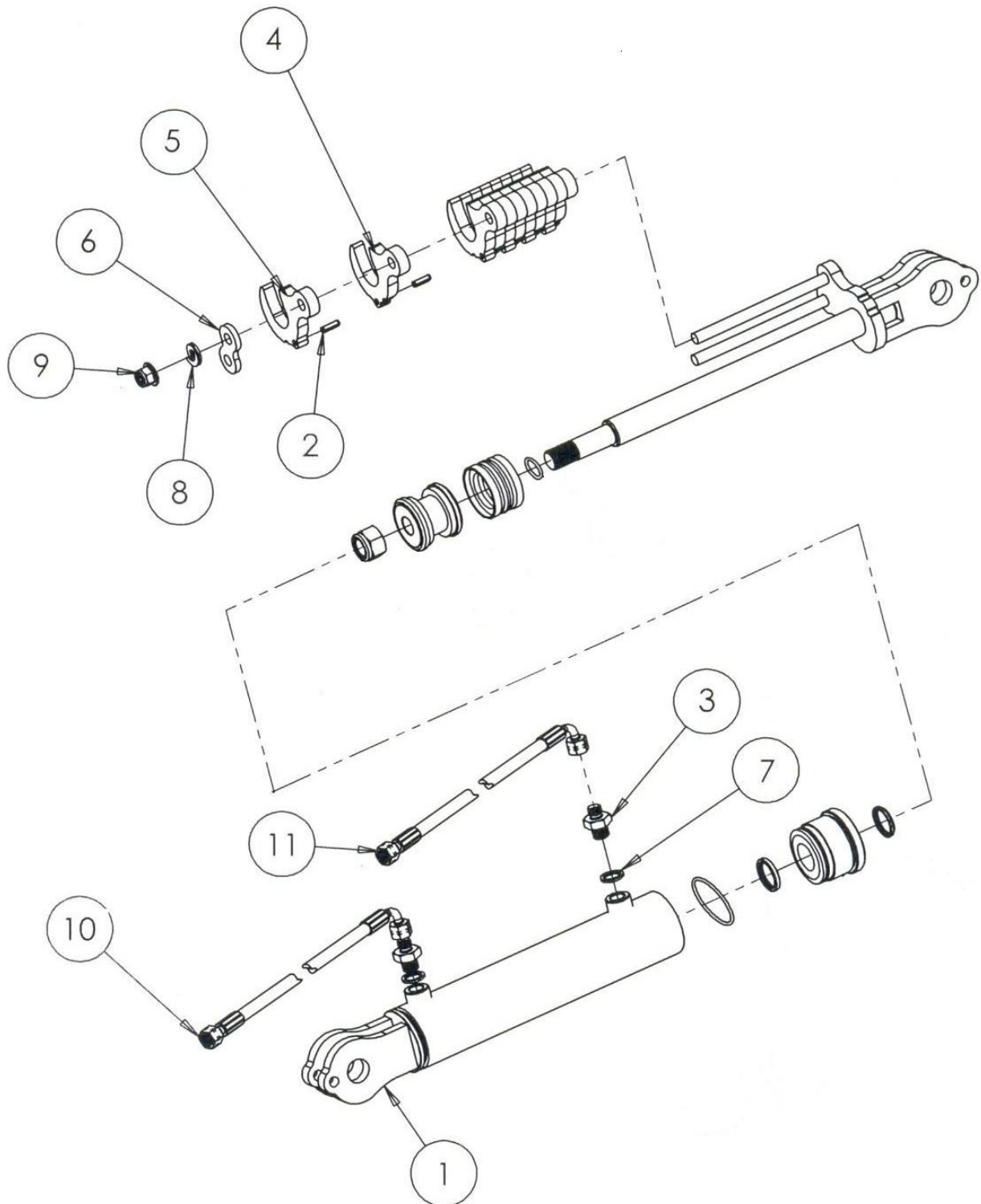
Spearhead STARCUT 500

WING RAM ASSEMBLY - S180025.21

| Ref No | Part No. | Qty | Description |
|--------|------------|-----|------------------|
| 1 | 3580672 | 1 | RAM ASSEMBLY |
| 2 | 3360083 | 2 | ADAPTOR |
| 3 | 3260071 | 2 | BONDED SEAL |
| 4 | 3770640.01 | 1 | HOSE |
| 5 | 3770640.11 | 1 | HOSE |
| 5 | 3570659 | 1 | VENT (NOT SHOWN) |
| 6 | 3580672.04 | - | SEAL KIT |

Spearhead STARCUT 500

HEIGHT RAM ASSEMBLY - SI80025.20



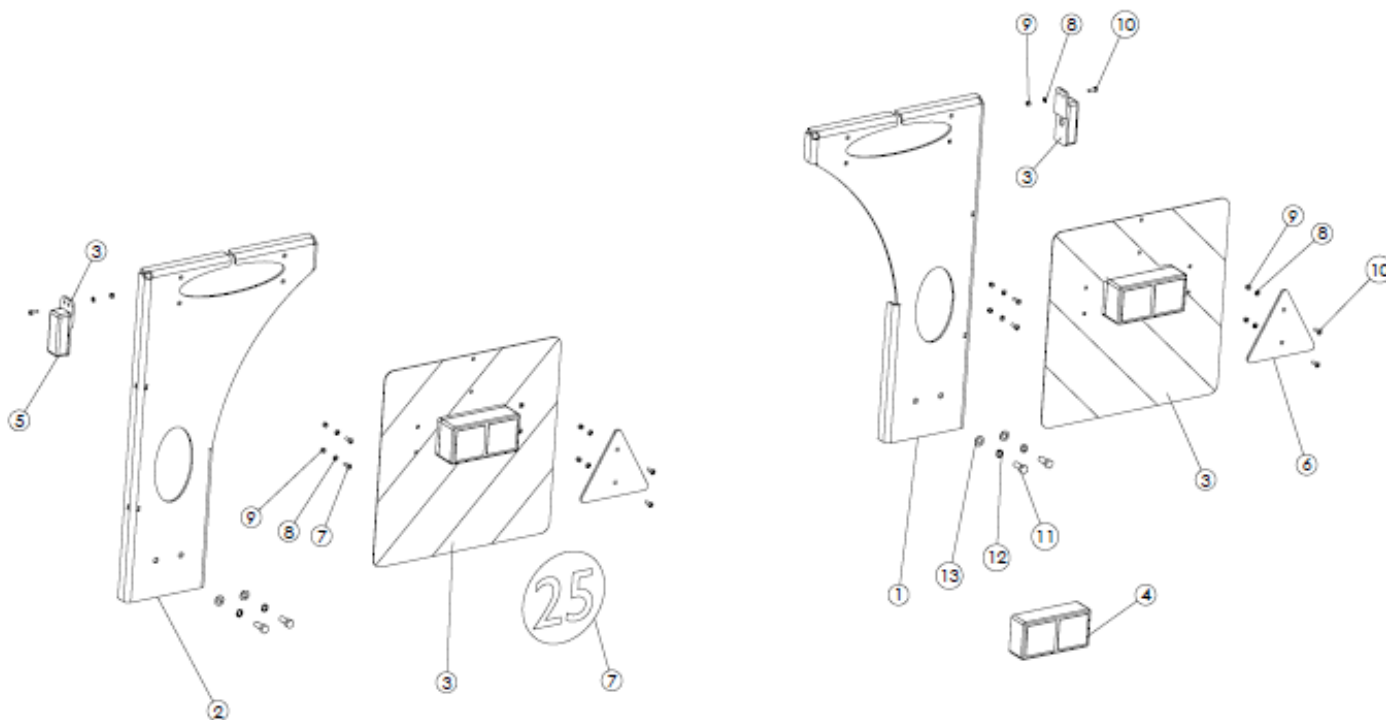
Spearhead STARCUT 500

HEIGHT RAM ASSEMBLY - SI80025.20

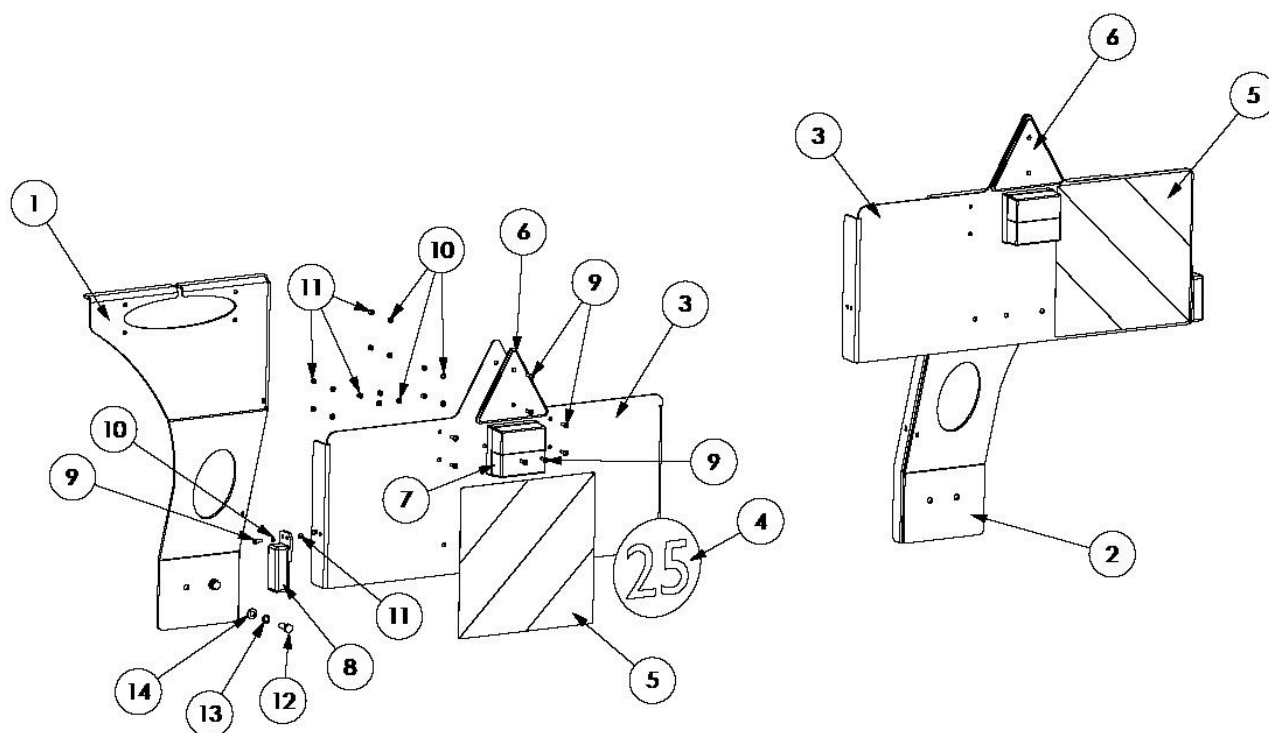
| Ref No | Part No. | Qty | Description |
|--------|------------|-----|---------------|
| | | | |
| 1 | 3580671 | 1 | RAM ASSEMBLY |
| 2 | 2770526 | 10 | ROLL PIN |
| 3 | 3360083 | 2 | ADAPTOR |
| 4 | 180639 | 5 | SPACER |
| 5 | 180640 | 5 | SPACER |
| 6 | 180641 | 1 | PLATE |
| 7 | 3260071 | 2 | BONDED SEAL |
| 8 | 2770442 | 1 | SPRING WASHER |
| 9 | 2770417 | 2 | NUT |
| 10 | 3770640.01 | 1 | HOSE |
| 11 | 3770640.02 | 1 | HOSE |
| 12 | 3580671.06 | - | SEAL KIT |

Spearhead STARCUT 500

EURO LIGHT KIT - S180025.62



FRENCH LIGHT KIT - S180025.94



Spearhead STARCUT 500

EURO LIGHT KIT - SI80025.62

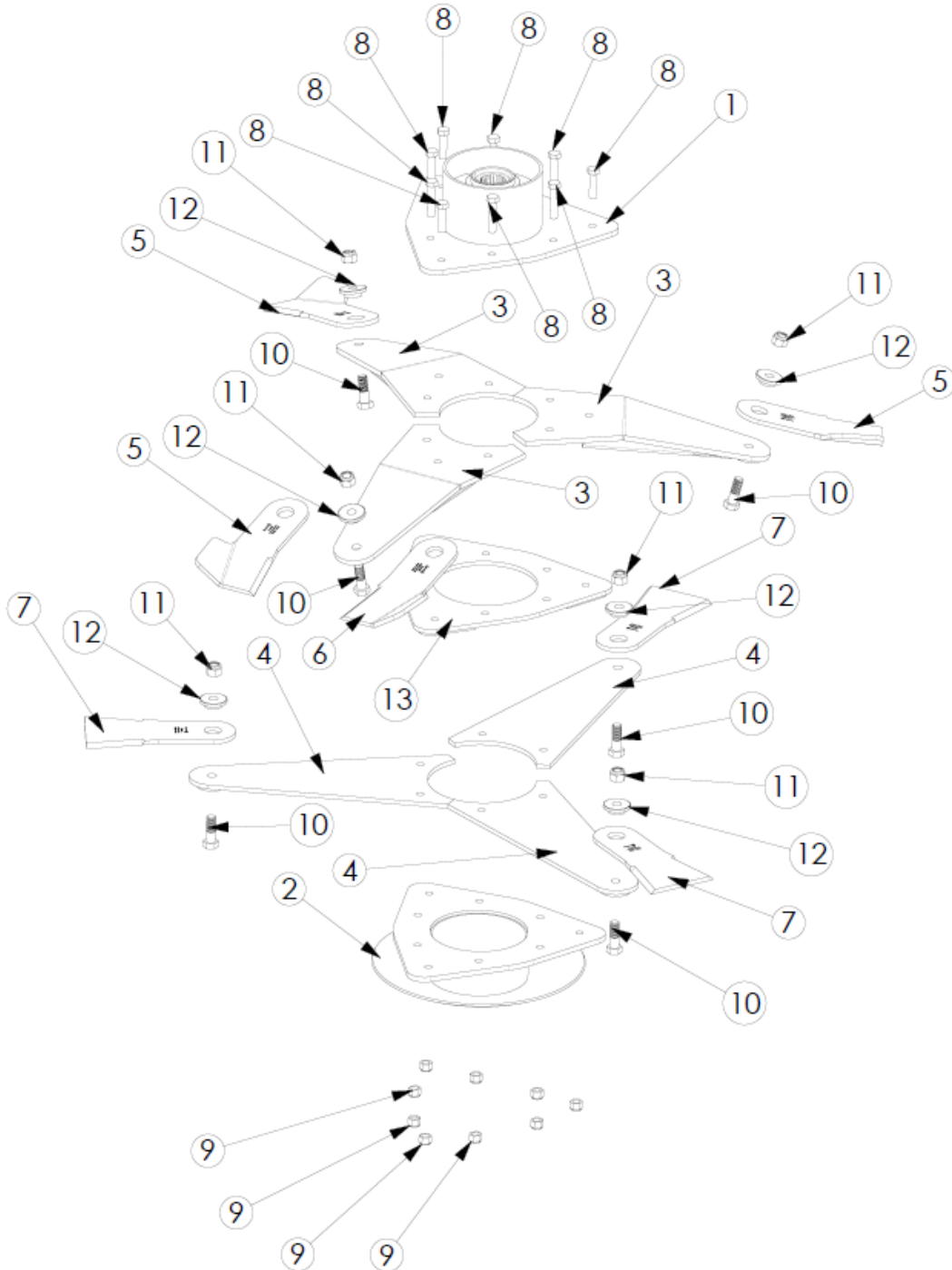
| Ref No | Part No. | Qty | Description |
|--------|------------|-----|-----------------------|
| 1 | 180932 | 1 | RH LIGHT ARM |
| 2 | 180931 | 1 | LH LIGHT ARM |
| 3 | 8770742 | 1 | REAR LIGHT LOOM |
| 4 | 8770659A | 2 | LENS |
| 5 | 8770742.01 | 2 | SIDELIGHT LENS |
| 6 | 8770722 | 2 | REFLECTOR - TRIANGLE |
| 7 | 8770392 | 1 | 25K STICKER |
| 8 | 2770391 | 16 | WASHER |
| 9 | 2770394 | 16 | NUT |
| 10 | 2770580 | 16 | SCREW |
| 11 | 2770407 | 4 | BOLT |
| 12 | 2770469 | 4 | SPRING WASHER |
| 13 | 2770434 | 4 | WASHER |
| - | 7560093 | 6 | REFLECTOR - RECTANGLE |
| - | 3850103 | 10 | P - CLIP |
| - | 2770371 | 10 | BOLT |
| - | 2771408 | 10 | WASHER |

FRENCH LIGHT KIT - SI80025.94

| Ref. | Part No. | Qty. | Description. |
|------|------------|------|--------------------------------|
| 1 | 181053 | 1 | LH REAR LIGHT BRACKET |
| 2 | 181054 | 1 | RH REAR LIGHT BRACKET |
| 3 | 180084 | 2 | AGICUT MARKER LIGHT BOARD |
| 4 | 8770392 | 1 | 25KPH DECAL |
| 5 | 1290819 | 2 | MARKER BOARD DECAL |
| 6 | 8770722 | 2 | WARNING TRIANGLE- REFLECTOR |
| 7 | 8770747 | 1 | LOOM AND LIGHT ASSEMBLY |
| 8 | 8770666.03 | 0 | SIDE MARKER LIGHT |
| 9 | 2770580 | 20 | PAN HEAD SCREW |
| 10 | 2770391 | 20 | FLAT WASHER |
| 11 | 2770394 | 20 | NYLOCK NUT |
| 12 | 2770407 | 4 | BOLT |
| 13 | 2770469 | 4 | SPRING WASHER |
| 14 | 2770434 | 4 | FLAT WASHER |
| 15 | 3580103 | 6 | P CLAMP - 15MM |
| 16 | 2770402 | 6 | BOLT |
| 17 | 2770432 | 6 | FLAT WASHER |
| 18 | 7560093 | 6 | ADHESIVE REFLECTOR - RED |

Spearhead STARCUT 500

STD BLADE CARRIER ASSEMBLY C/W STARCUT - S180025.77/65



Spearhead STARCUT 500

STD BLADE CARRIER ASSEMBLY C/W STARCUT - S180025.77/65

| Ref No | Part No. | Qty | Description |
|--------|----------|-----|-------------------------------------|
| 1 | 180764 | 3 | UPPER - BLADER CARRIER |
| 2 | 180765 | 3 | LOWER - BLADE CARRIER |
| 3 | 180204 | 9 | BLADE HOLDER |
| 4 | 180857 | 9 | STAR-CUT BLADE HOLDER |
| 5 | 7770759 | 6 | RH STANDARD BLADE |
| | 7770769 | 6 | RH MAIZE BLADE (12mm) (OPTIONAL) |
| 6 | 7770758 | 3 | LH STANDARD BLADE |
| | 7770768 | 3 | LH MAIZE BLADE (12mm) (OPTIONAL) |
| 7 | 7770755 | 9 | STAR-CUT BLADE |
| 8 | 2770638 | 27 | BOLT |
| 9 | 2770447 | 27 | NUT |
| 10 | 2770557 | 18 | BOLT |
| 11 | 2770409 | 18 | NUT |
| 12 | 7770757 | 18 | BLADE BUSH |
| 13 | 7770762 | 18 | BLADE BUSH (12MM) (OPTIONAL) |
| | 180015 | 3 | BLADE SPACER ASSEMBLY |

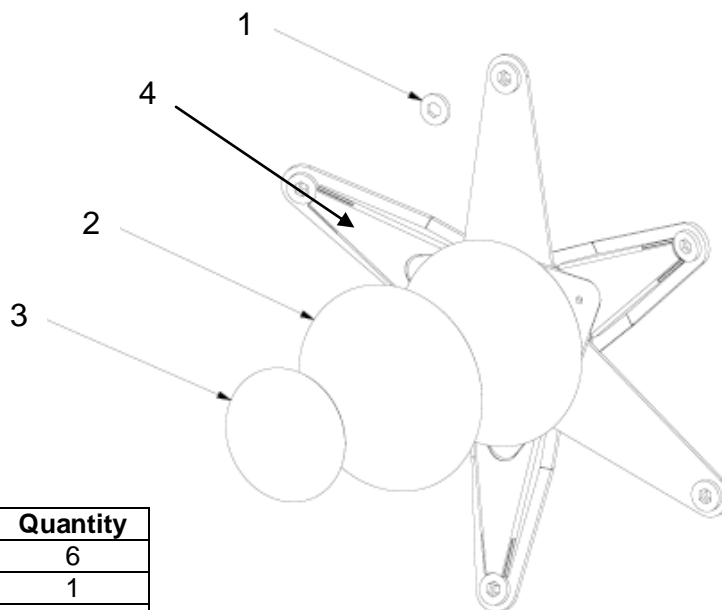
Note

Torque Settings

2770638 M16 x 80mm (10.9) = 210Nm.

2770557 M20 x 60mm (8.8) = 425Nm.

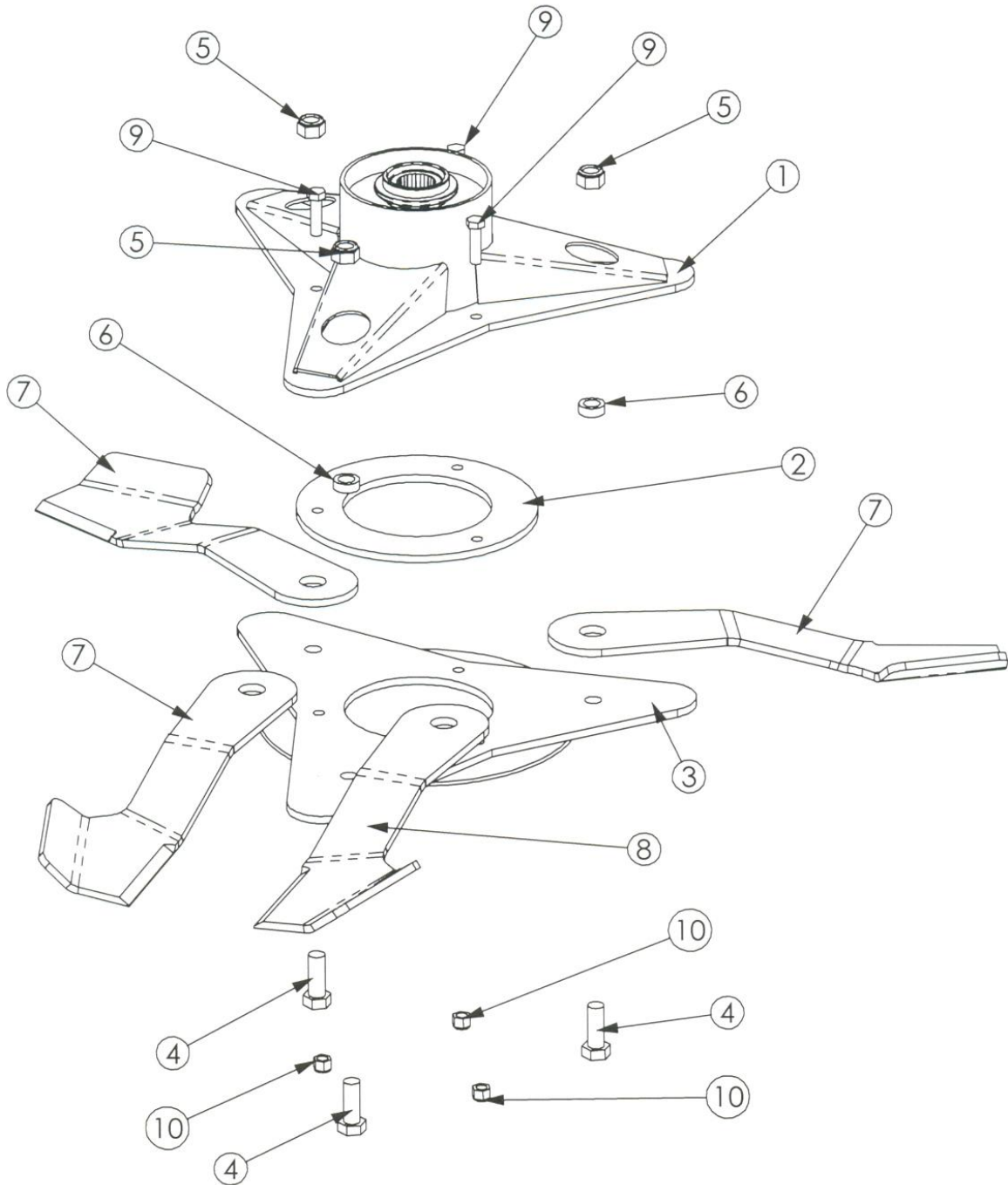
REPLACEABLE BLADE CARRIER PARTS



| Ref No. | Part No. | Quantity |
|---------|-----------|----------|
| 1 | 180762.02 | 6 |
| 2 | 7770750 | 1 |
| 3 | 7770732 | 1 |
| 4 | 180204.03 | 3 |

Spearhead STARCUT 500

HD BLADE CARRIER ASSEMBLY - S180025.32



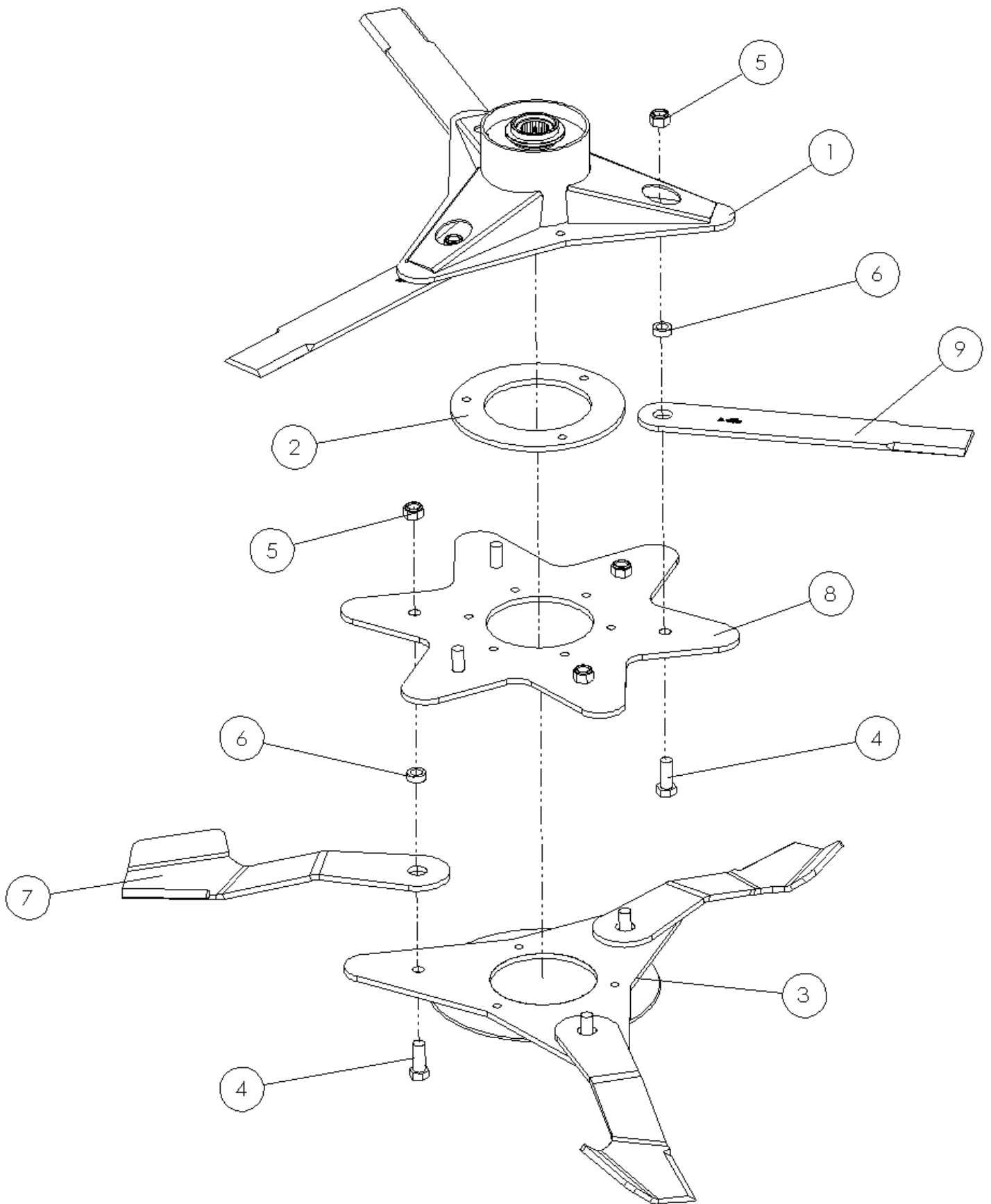
Spearhead STARCUT 500

HD BLADE CARRIER ASSEMBLY - S180025.32

| Ref No | Part No. | Qty | Description |
|--------|----------|-----|-----------------------|
| 1 | 180772 | 3 | UPPER – BLADE CARRIER |
| 2 | 180773 | 3 | SPACER PLATE |
| 3 | 180774 | 3 | LOWER - BLADE CARRIER |
| 4 | 2770339 | 9 | BOLT |
| 5 | 2770414 | 9 | NUT |
| 6 | 7770707 | 9 | BLADE BUSH |
| 7 | 7770752 | 6 | RH HD BLADE |
| 8 | 7770751 | 3 | LH HD BLADE |
| 9 | 2770423 | 9 | BOLT |
| 10 | 2770447 | 9 | NUT |

Spearhead STARCUT 500

HD6 BLADE CARRIER ASSEMBLY



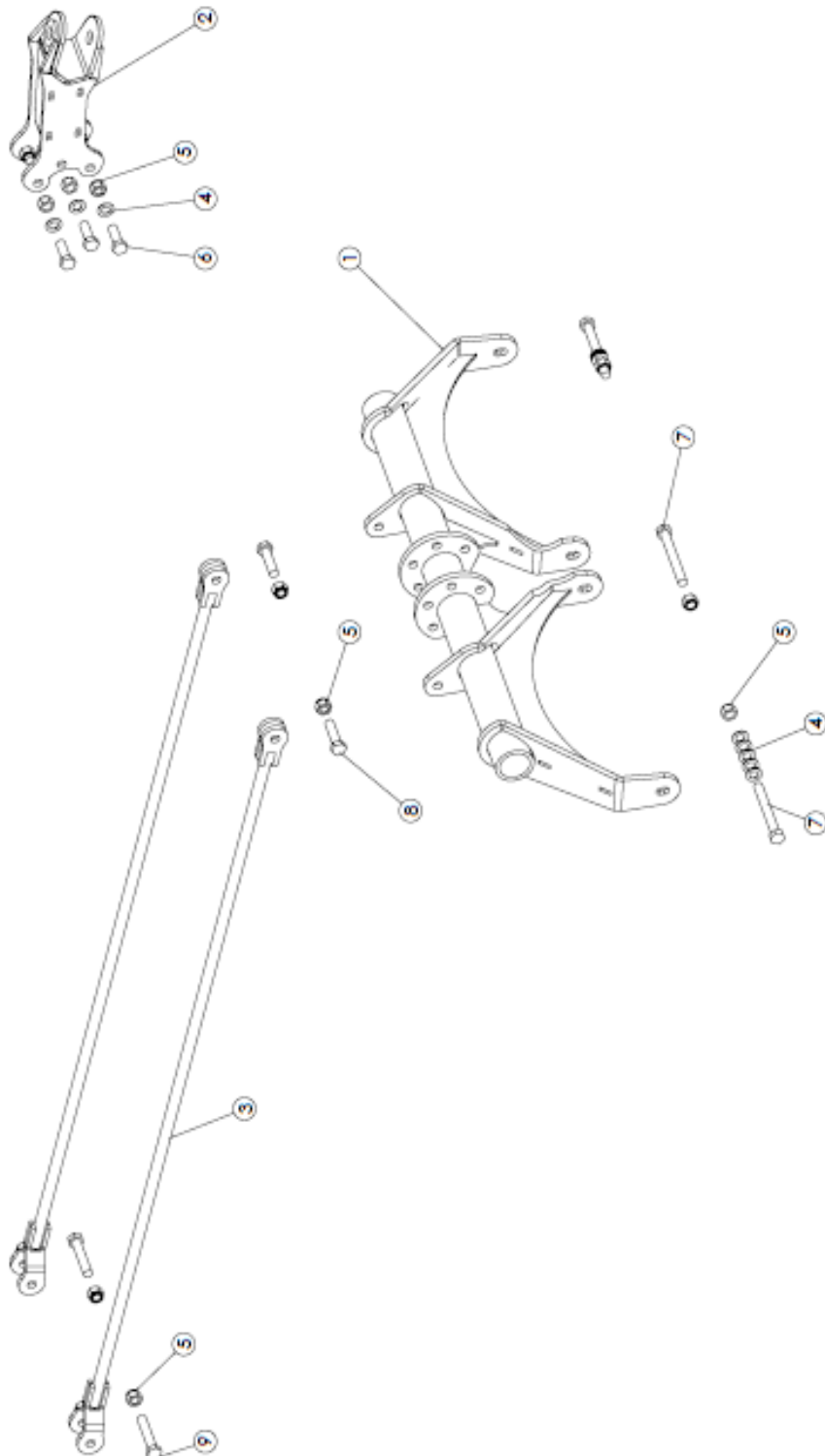
Spearhead STARCUT 500

HD6 BLADE CARRIER ASSEMBLY

| Ref No | Part No. | Qty | Description |
|--------|----------|-----|-----------------------|
| 1 | 180772 | 3 | UPPER – BLADE CARRIER |
| 2 | 180773 | 3 | SPACER PLATE |
| 3 | 180774 | 3 | LOWER - BLADE CARRIER |
| 4 | 2770339 | 18 | BOLT |
| 5 | 2770414 | 18 | NUT |
| 6 | 7770707 | 18 | BLADE BUSH |
| 7 | 7770752 | 6 | RH HD BLADE |
| | 7770751 | 3 | LH HD BLADE |
| 8 | 180778 | 3 | STARCUT PLATE |
| 9 | 046001 | 9 | STARCUT BLADE |

Spearhead STARCUT 500

REAR DRAWBAR SCHEDULE - S180025.27



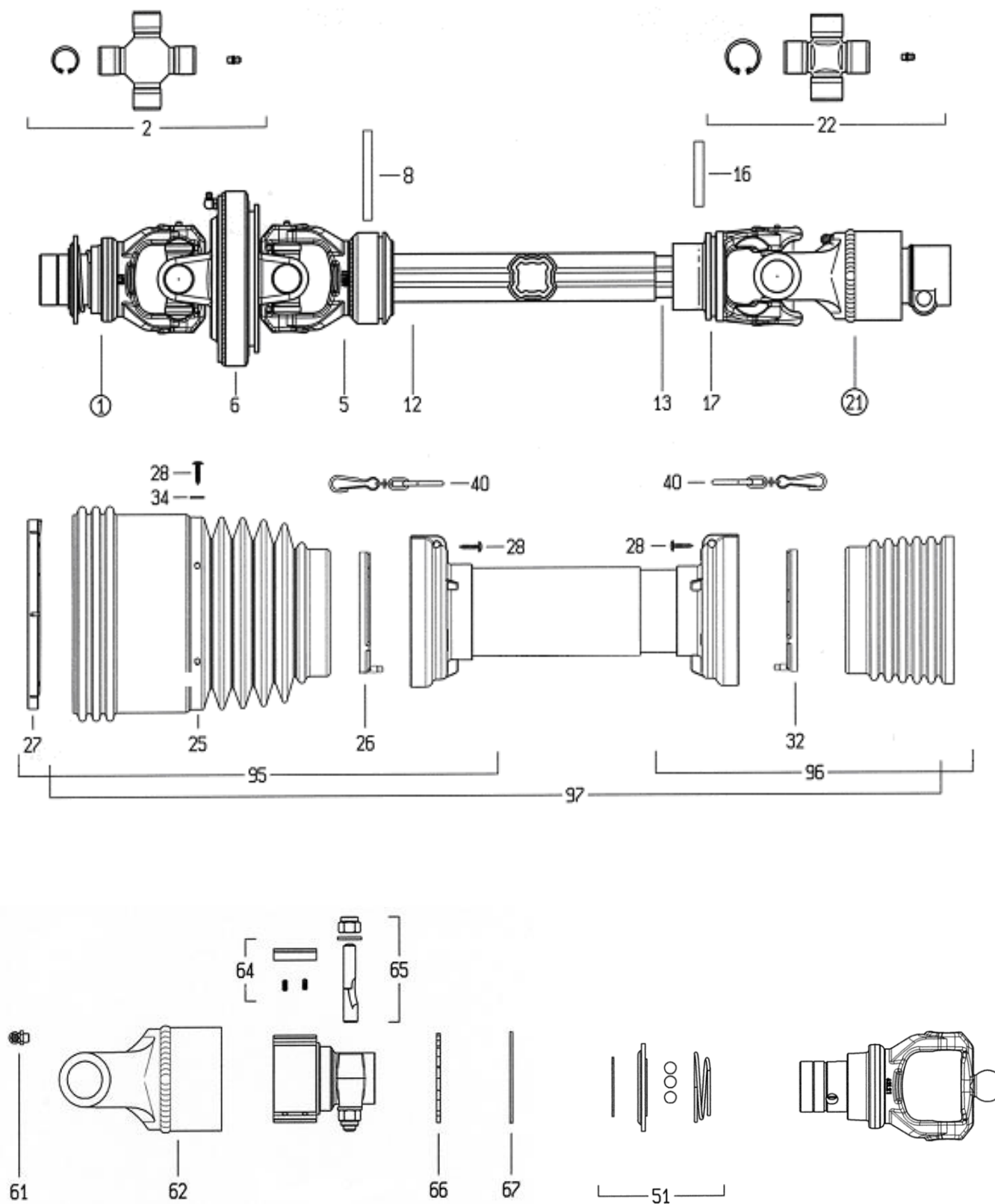
Spearhead STARCUT 500

REAR DRAWBAR SCHEDULE - S180025.27

| Ref No | Part No. | Qty | Description |
|--------|-----------|-----|-------------|
| 1 | 180669 | 1 | REAR FRAME |
| 2 | 180667 | 1 | DRAWBAR |
| 3 | 180668 | 2 | TIE BAR |
| 4 | 2770517 | 16 | WASHER |
| 5 | 2770562 | 13 | NUT |
| 6 | 2770557 | 6 | BOLT |
| 7 | 9213348 | 3 | BOLT |
| 8 | 05.291.49 | 2 | BOLT |
| 9 | 05.292.44 | 2 | BOLT |

Spearhead STARCUT 500

INPUT SHAFT - (BONDIOLI)



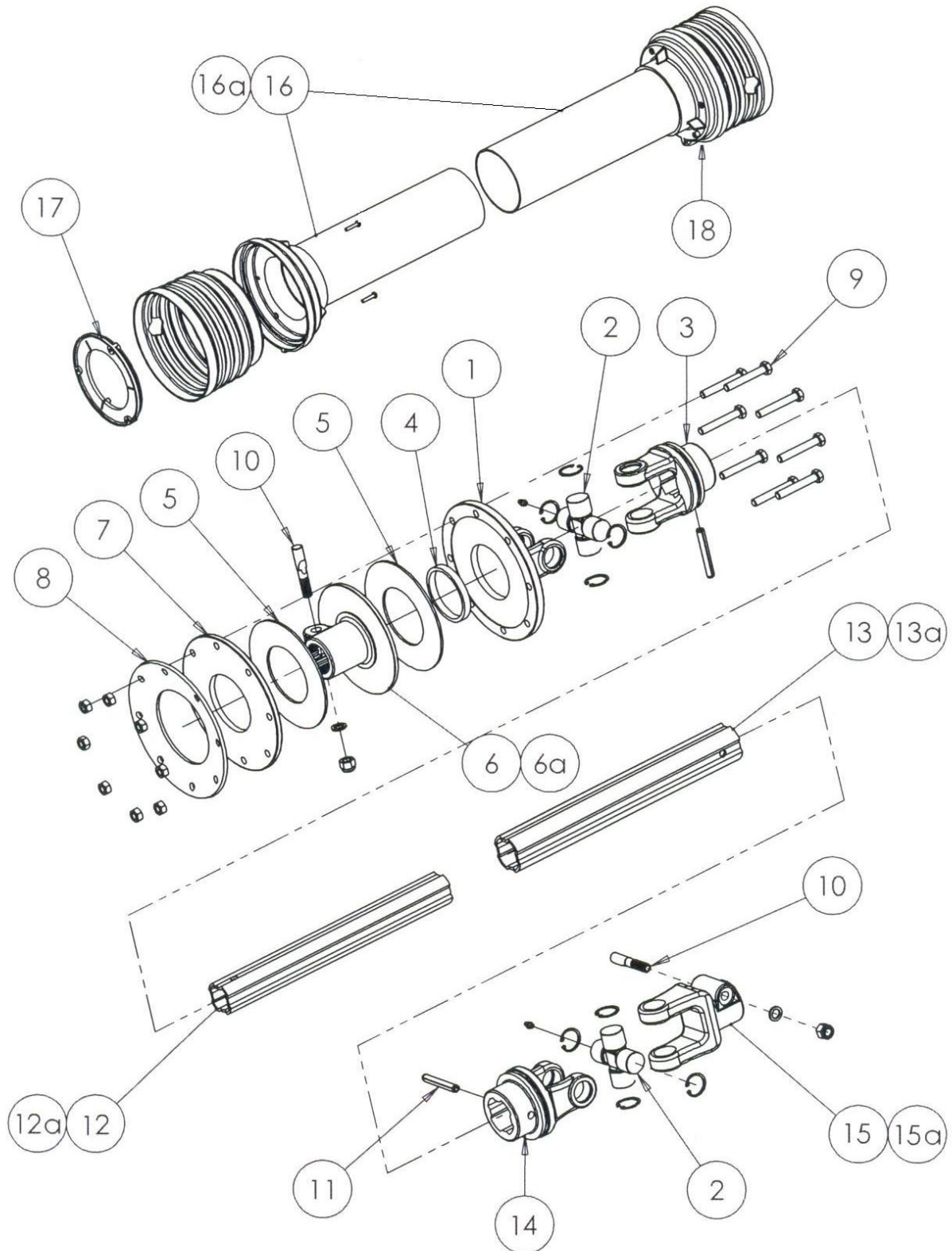
Spearhead STARCUT 500

INPUT SHAFT - 1000RPM - (BONDIOLI)

| Ref No | Part No | Description |
|--------|----------------|---------------------------------------|
| | 5792146 | PTO ASSEMBLY 21 SPLINE (SFT 6) |
| | 5790646 | PTO ASSEMBLY 6 SPLINE (SFT 6) |
| 1 | 5790646/1 | YOKE (6 SPLINE) |
| 1 | 5792146/1 | YOKE (21 SPLINE) |
| 2 | 5792146/2 | UJ (27MM) |
| 5 | 5792146/3 | YOKE |
| 6 | 5792146/4 | CENTRE BODY |
| 12 | 5792146/5 | EXTERNAL TUBE |
| 13 | 5792146/6 | INNER TUBE |
| 17 | 5792146/7 | YOKE |
| 21 | 5792146/8 | OVERRUN CLUTCH |
| 22 | 5792146/9 | UJ (30.2MM) |
| 25 | 5792146/10 | GUARD |
| 26 | 5792146/11 | OUTER BEARING |
| 32 | 5792146/12 | INNER BEARING |
| 40 | 5792146/13 | CHAIN |
| 51 | 5792146/14 | RELEASE RING |
| 64 | 5792146/15 | PAWL |
| 65 | 5792146/16 | TAPER PIN |
| 95 | 5792146/17 | HALF GUARD |
| 96 | 5792146/18 | HALF GUARD |
| 97 | 5792146/19 | COMPLETE GUARD |

Spearhead STARCUT 500

CENTRE SHAFT - (BONDIOLI)



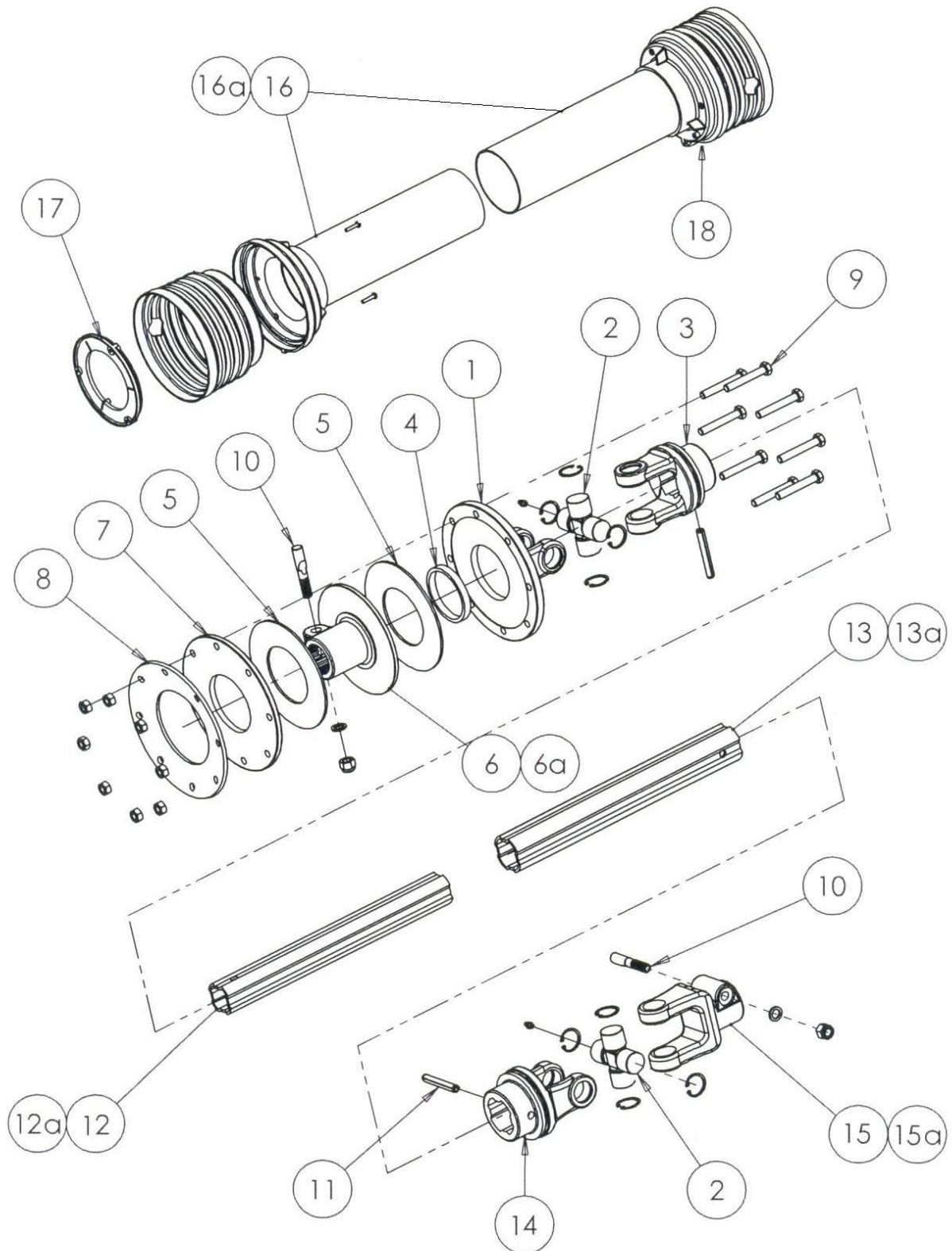
Spearhead STARCUT 500

CENTRE SHAFT - (BONDIOLI)

| Ref No | Part No | Description |
|--------|----------------|------------------------|
| | 5770225 | PTO ASSEMBLY |
| 1 | 5770131 | FLANGED YOKE |
| 2 | 5770140 | CROSS JOURNAL |
| 3 | 5770145 | INNER YOKE |
| | 5770143 | TENSION PIN |
| 4 | 5771319 | BUSH |
| 5 | 5771328 | FRICTION DISC |
| 6 | 5770225.01 | HUB - 20 SPLINE 1"3/4 |
| 6a | 5770158 | HUB - 6 SPLINE 1"3/8 |
| 7 | 5770135 | PRESSURE PLATE |
| 8 | 5770136 | SPRING PLATE |
| 9 | 5770138A | CLUTCH BOLT + NUT |
| 10 | 5771322A | TAPER PIN |
| 11 | 5770144 | TENSION PIN |
| 12 | 5770141 | INNER TUBE |
| 12a | - | - |
| 13 | 5770142 | OUTER TUBE |
| 13a | - | - |
| 14 | 5770146 | OUTER YOKE |
| 15 | 5771310 | YOKE - 6 SPLINE 1"3/8 |
| 15a | 5770225.02 | YOKE - 21 SPLINE 1"3/8 |
| 16 | 5771333 | COMPLETE GUARD ASSY |
| 16a | 5771020 | GUARD ANCHOR CHAIN |
| 17 | 5792146/12 | INNER GUARD BEARING |
| 18 | 5792146/11 | OUTER GUARD BEARING |

Spearhead STARCUT 500

WING SHAFT - (BONDIOLI)



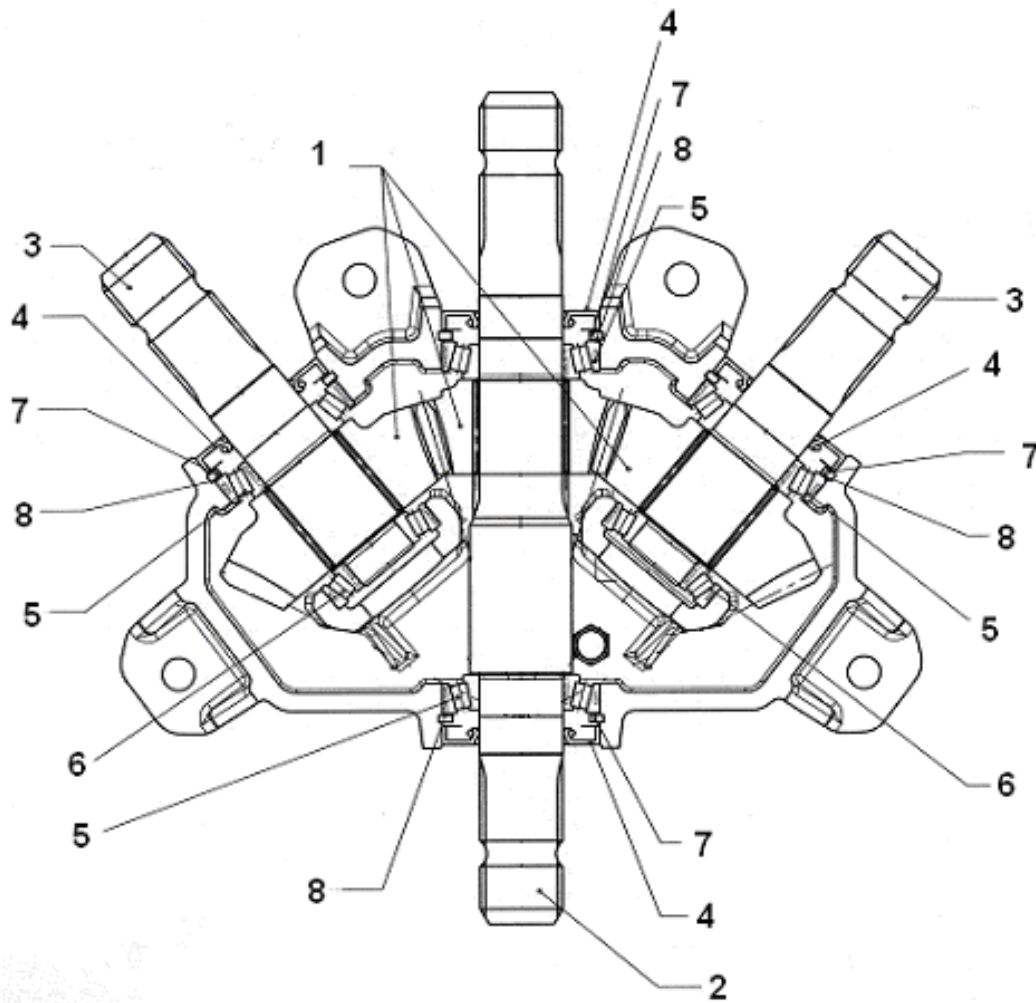
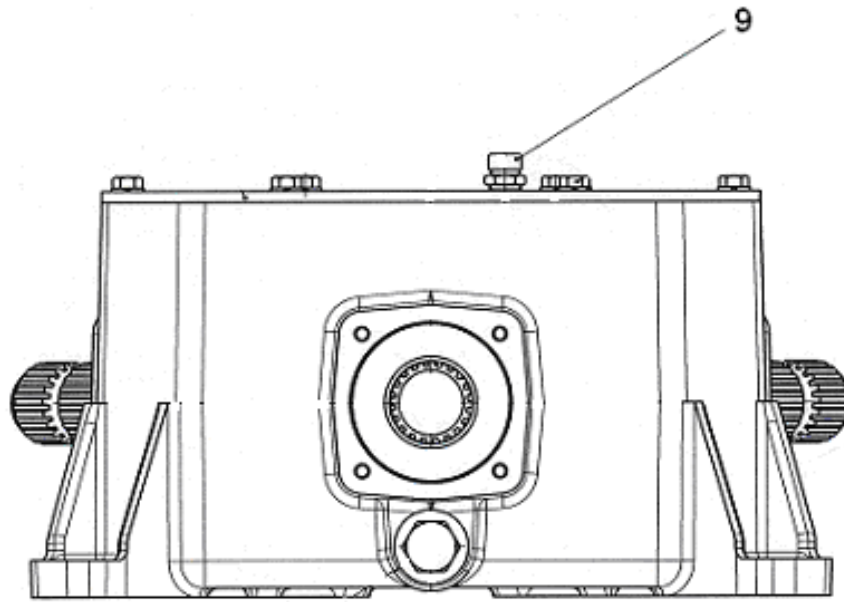
Spearhead STARCUT 500

WING SHAFT - (BONDIOLI)

| Ref No | Part No | Description |
|--------|----------------|------------------------|
| | 5770230 | PTO ASSEMBLY |
| 1 | 5770131 | FLANGED YOKE |
| 2 | 5770140 | CROSS JOURNAL |
| 3 | 5770145 | INNER YOKE |
| | 5770143 | TENSION PIN |
| 4 | 5771319 | BUSH |
| 5 | 5771328 | FRICTION DISC |
| 6 | 5770225.01 | HUB - 20 SPLINE 1"3/4 |
| 6a | 5770158 | HUB - 6 SPLINE 1"3/8 |
| 7 | 5770135 | PRESSURE PLATE |
| 8 | 5770136 | SPRING PLATE |
| 9 | 5770138A | CLUTCH BOLT + NUT |
| 10 | 5771322A | TAPER PIN |
| 11 | 5770144 | TENSION PIN |
| 12 | 5770230.01 | INNER TUBE |
| 12a | - | - |
| 13 | 5770230.02 | OUTER TUBE |
| 13a | - | - |
| 14 | 5770146 | OUTER YOKE |
| 15 | 5771310 | YOKE - 6 SPLINE 1"3/8 |
| 15a | 5770225.02 | YOKE - 21 SPLINE 1"3/8 |
| 16 | 5770230.03 | COMPLETE GUARD ASSY |
| 16a | 5771020 | GUARD ANCHOR CHAIN |
| 17 | 5792146/12 | INNER GUARD BEARING |
| 18 | 5792146/11 | OUTER GUARD BEARING |

Spearhead STARCUT 500

SPLITTER GEARBOX - (BONDIOLI)



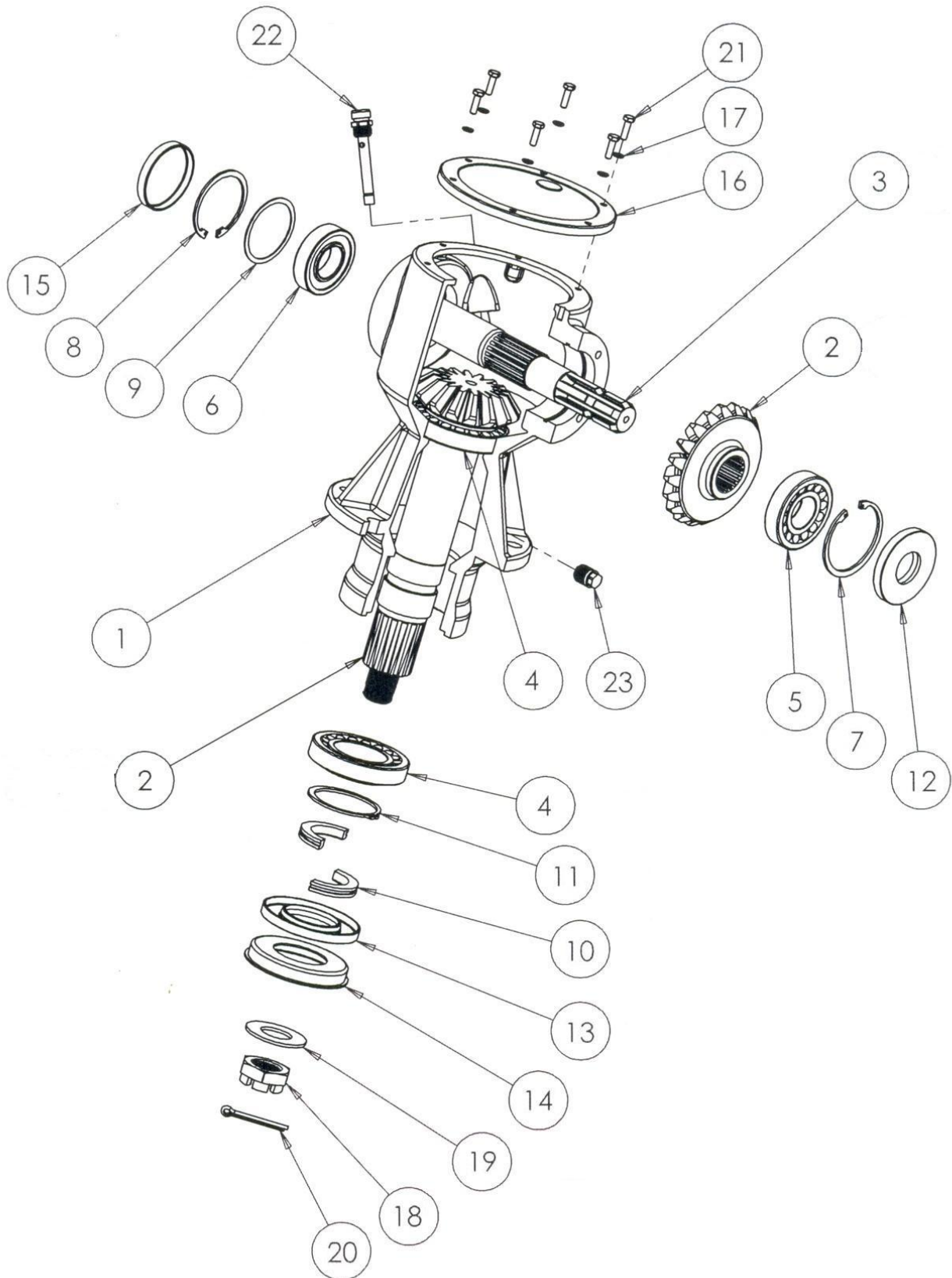
Spearhead STARCUT 500

SPLITTER GEARBOX - (BONDIOLI)

| Ref No | Part No | Description |
|--------|-----------------|-------------------------|
| | 5769999A | SPLITTER GEARBOX |
| 1 | 5760820 | GEAR SET |
| 2 | 5760820/1 | INPUT SHAFT |
| 3 | 5760820/2 | OUTPUT SHAFT |
| 4 | 4771507 | SEAL |
| 5 | 4770660 | BEARING |
| 6 | 4770658 | BEARING |
| 7 | 5760820/6 | CIRCLIP |
| 8 | 5760820/7 | SHIM |
| 9 | 5760820/8 | DIPSTICK |

Spearhead STARCUT 500

CENTRE ROTOR GEARBOX - (BONDIOLI)



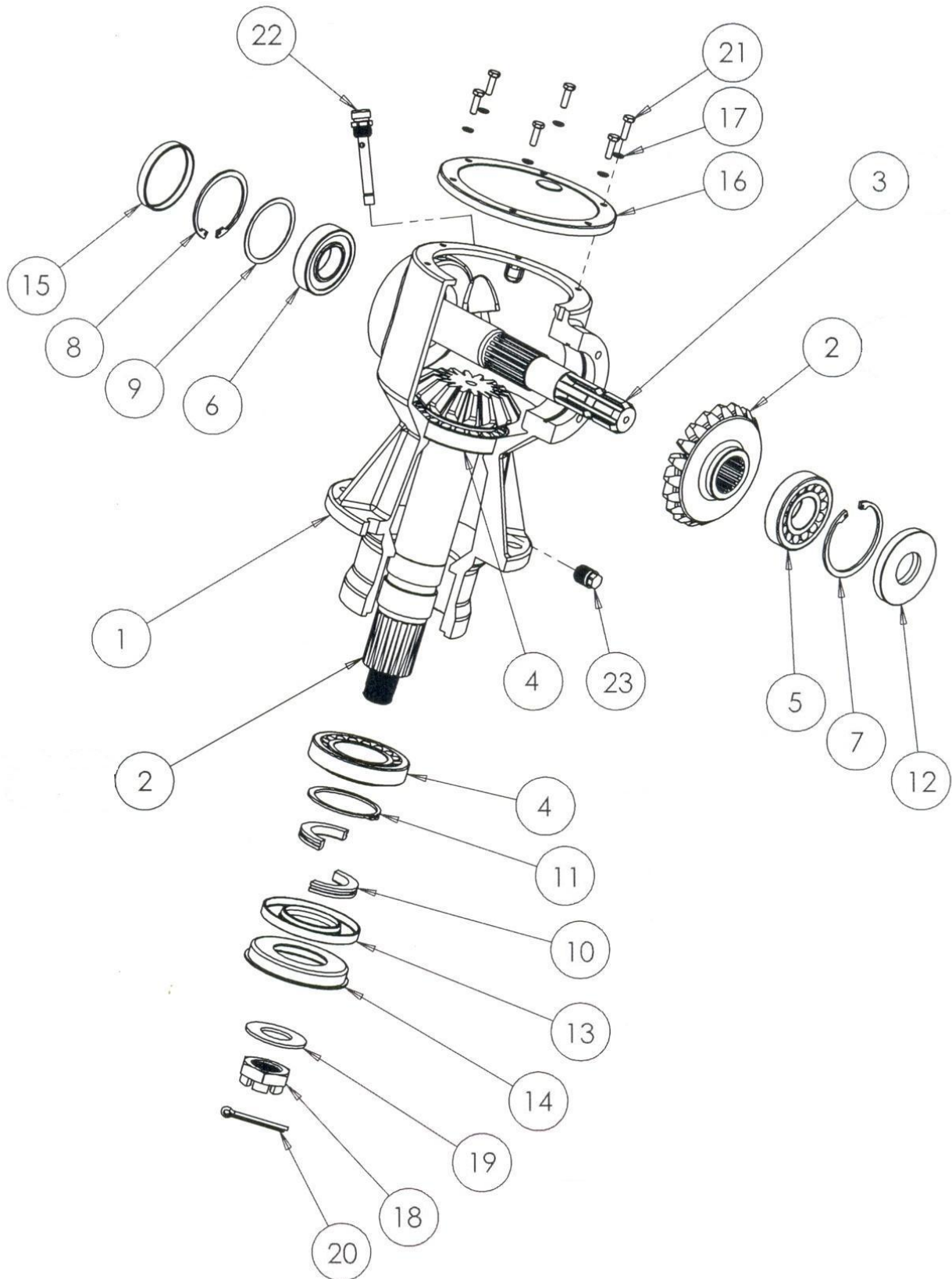
Spearhead STARCUT 500

CENTRE ROTOR GEARBOX - (BONDIOLI)

| Ref No | Part No | Description |
|--------|----------------|--------------------------------|
| | 5770005 | CENTRE GEARBOX ASSEMBLY |
| 1 | - | - |
| 2 | 5771417 | GEAR SET |
| 3 | 5771403C | INPUT SHAFT |
| 4 | 4771603 | TOP BEARING |
| 5 | 4770658 | BEARING |
| 6 | 4771601 | BEARING |
| 7 | 2771108 | CIRCLIP |
| 8 | 2771129 | CIRCLIP |
| 9 | 5771423 | SHIM SET |
| 10 | - | - |
| 11 | - | - |
| 12 | 4771124 | SEAL |
| 13 | 4771500 | SEAL |
| 14 | 5771406 | SHEILD |
| 15 | 5771503 | CAP SEAL |
| 16 | 5771481 | LID |
| 17 | 2771408 | WASHER |
| 18 | 5771411 | CASTLE NUT |
| 19 | 5771412 | WASHER |
| 20 | 2770477 | SPLIT PIN |
| 21 | 5771407 | BOLT |
| 22 | 5771482 | DIPSTICK |
| 23 | 5771415 | PLUG |

Spearhead STARCUT 500

RH WING GEARBOX - (BONDIOLI)



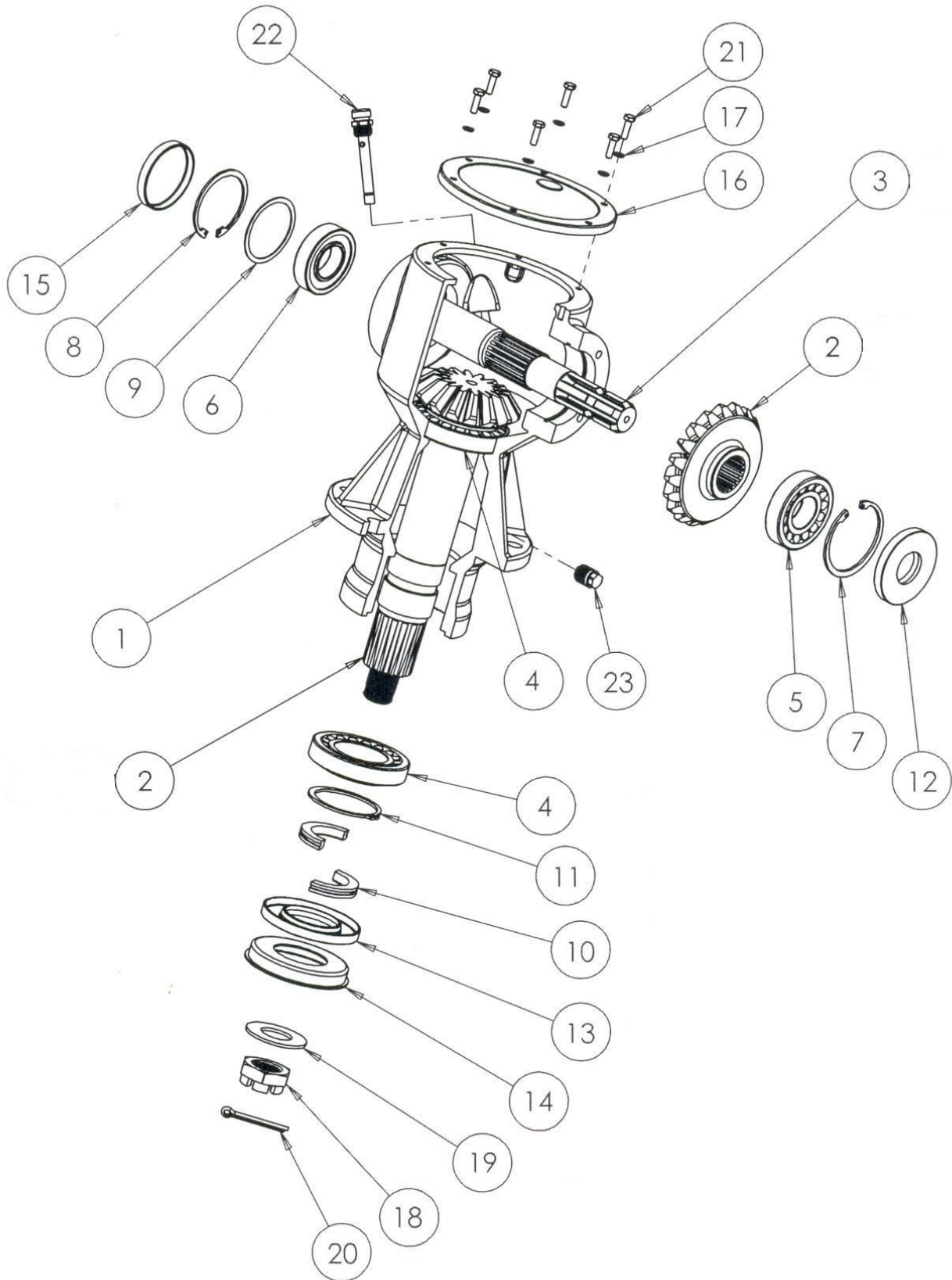
Spearhead STARCUT 500

RH WING GEARBOX - (BONDIOLI)

| Ref No | Part No | Description |
|--------|----------------|----------------------------|
| | 5770006 | RH GEARBOX ASSEMBLY |
| 1 | - | - |
| 2 | 5771420 | GEAR SET |
| 3 | 5771403F | INPUT SHAFT |
| 4 | 4771603 | TOP BEARING |
| 5 | 4771600 | BEARING |
| 6 | 4771601 | BEARING |
| 7 | 2771108 | CIRCLIP |
| 8 | 2771129 | CIRCLIP |
| 9 | 5771423 | SHIM SET |
| 10 | 5771422 | SPLIT COLLET |
| 11 | 2771600 | CIRCLIP |
| 12 | 4771501 | SEAL |
| 13 | 4771500 | SEAL |
| 14 | 5771406 | SHEILD |
| 15 | 5771502 | CAP SEAL |
| 16 | 5771401 | LID |
| 17 | 2771408 | WASHER |
| 18 | 5771409 | CASTLE NUT |
| 19 | 5771410 | WASHER |
| 20 | 2770477 | SPLIT PIN |
| 21 | 5771407 | BOLT |
| 22 | 5771416 | DIPSTICK |
| 23 | 5771415 | PLUG |

Spearhead STARCUT 500

LH WING GEARBOX - (BONDIOLI)



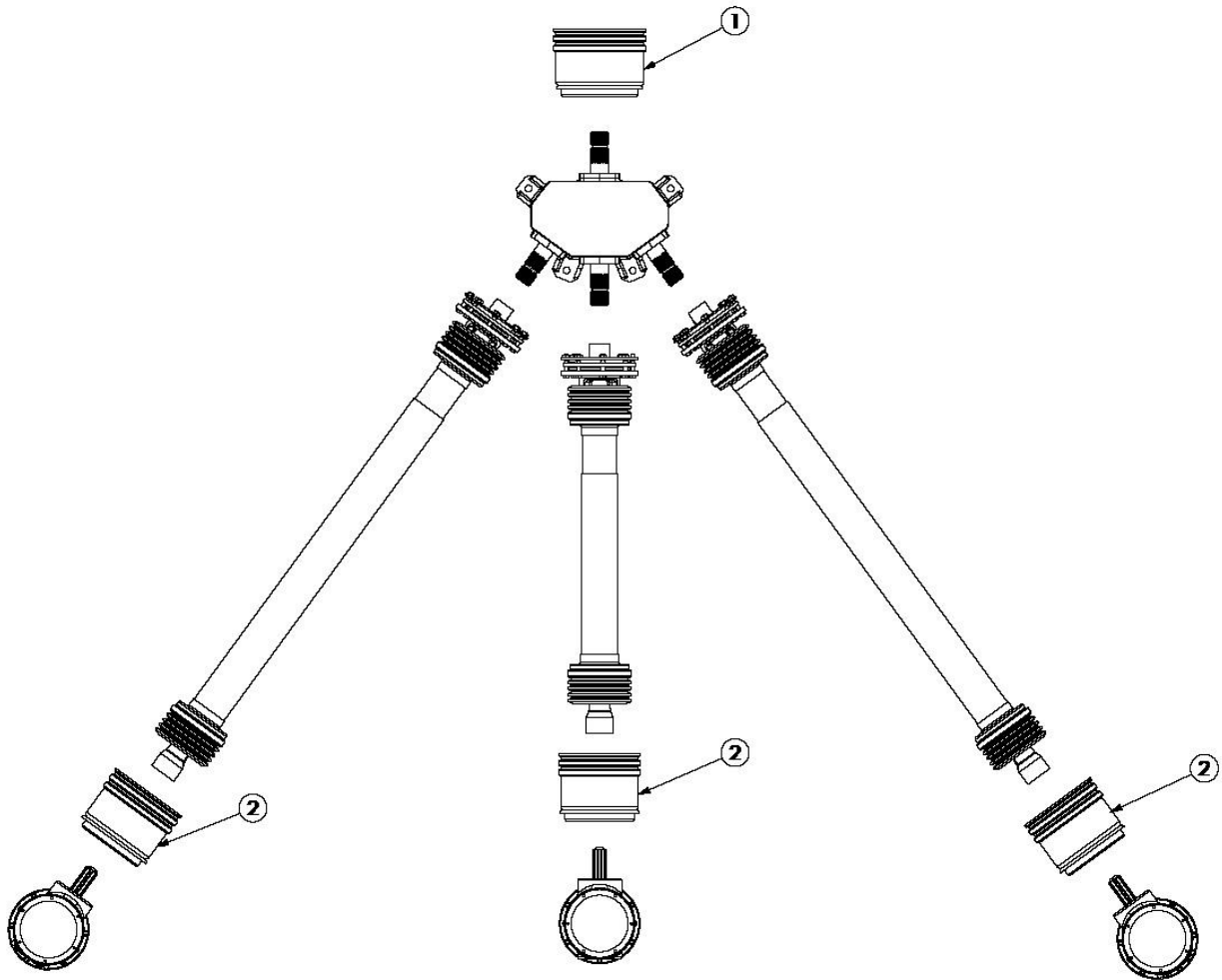
Spearhead STARCUT 500

LH WING GEARBOX - (BONDIOLI)

| Ref No | Part No | Description |
|--------|----------------|----------------------------|
| | 5770007 | LH GEARBOX ASSEMBLY |
| 1 | - | - |
| 2 | 5771420 | GEAR SET |
| 3 | 5771403R | INPUT SHAFT |
| 4 | 4771603 | TOP BEARING |
| 5 | 4771600 | BEARING |
| 6 | 4771601 | BEARING |
| 7 | 2771108 | CIRCLIP |
| 8 | 2771129 | CIRCLIP |
| 9 | 5771423 | SHIM SET |
| 10 | 5771422 | SPLIT COLLET |
| 11 | 2771600 | CIRCLIP |
| 12 | 4771124 | SEAL |
| 13 | 4771500 | SEAL |
| 14 | 5771406 | SHEILD |
| 15 | 5771503 | CAP SEAL |
| 16 | 5771401 | LID |
| 17 | 2771408 | WASHER |
| 18 | 5771409 | CASTLE NUT |
| 19 | 5771410 | WASHER |
| 20 | 2770477 | SPLIT PIN |
| 21 | 5771407 | BOLT |
| 22 | 5771416 | DIPSTICK |
| 23 | 5771415 | PLUG |

Spearhead STARCUT 500

PTO CONES AND ADAPTORS



| Ref.No | Part.No | Description |
|--------|----------|----------------|
| 1 | 21839.01 | PTO GUARD ASSY |
| 2 | 5770105A | PTO GUARD ASSY |

Spearhead STARCUT 500

DECALS - S180025.25



1



2



3



4



5



6



7



8



9



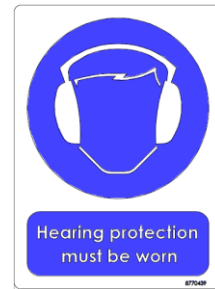
10



11



12



18



13



14



15



16



17



19

Spearhead STARCUT 500

DECALS - S180025.25

| Ref. No | Part No. | Description |
|---------|----------|-------------------------|
| 1 | 8770363 | READ MANUAL |
| 2 | 8770367 | READ MANUAL |
| 3 | 8770342 | LIFT POINT |
| 4 | 8770307 | GB STICKER |
| 5 | 8770381 | HEIGHT GAUGE |
| 6 | 8770322 | GREASE POINT |
| 7 | 8770340 | READ MANUAL |
| 8 | 8770361 | MOVING BLADES |
| 9 | 8770306 | KEEP BOLTS TIGHT |
| 10 | 8770355 | RAM STOP |
| 11 | 8770362 | ESCAPING FLUID |
| 12 | 8770357 | KEEP YOUR DISTANCE |
| 13 | 8770368 | DANGER UN-PROPED |
| 14 | 8770358 | REMOVE KEY |
| 15 | 8770305 | 540 PTO |
| 16 | 8770323 | 1000 PTO |
| - | 8770370 | STARCUT 500 |
| - | 8770371 | SPEARHEAD |
| 17 | 8770455 | SLIP CLUTCH STICKER |
| 18 | 8770439 | WEAR HEARING PROTECTION |
| 19 | 8770451 | NO RIDING ON MACHINE |

Spearhead STARCUT 500

Spearhead Machinery Ltd
Green View
Salford Priors
Evesham
Worcestershire
WR11 8SW
Tel: 01789 491860
Fax: 01789 778683
www.spearheadmachinery.com
enquiries@spearheadmachinery.com