

# Spearhead

**Swipe**  
**€150/ €180/€210**



**Edition 1.0 – April 2009**  
**Part No. 8999070**

**PARTS MANUAL**



# Swipe

## €150/€180/€210

### Parts Book

1.0 Edition – April 2009

Please ensure that this manual is handed to the operator before using the machine for the first time. The operator must fully understand the contents of this manual before using this machine.

(If the machine is resold the Manual must be given to the new owner.)

#### **Important Note**

The information contained in this manual is correct at the time of publication. However, in the course of constant development, changes in specification are inevitable. Should you find the information given in this book different to the machine it relates to please contact the "After Sales Department" for advice.

Spearhead Machinery  
Green View  
Salford Priors  
Evesham  
Worcestershire  
WR11 8SW  
Tel: 01789 491860  
Fax: 01789 778683  
[snel@spearhead.uk.com](mailto:snel@spearhead.uk.com)  
[www.spearheadmachinery.com](http://www.spearheadmachinery.com)

## Ordering Parts

When ordering parts please refer to your parts list to help your dealer with your order.

Part number and quantity  
Description  
Machine model number  
Serial number of the machine  
Delivery instructions (e.g. next day).

Delivery is normally via carrier direct to your dealer. Please check with your dealer for stock availability and arrangement of dispatch. Ensure you or your dealer has sufficient cover for parts requirement outside factory hours.

When ordering your ram seal kits please quote both codes stamped on the base of the cylinder.

## Important Note

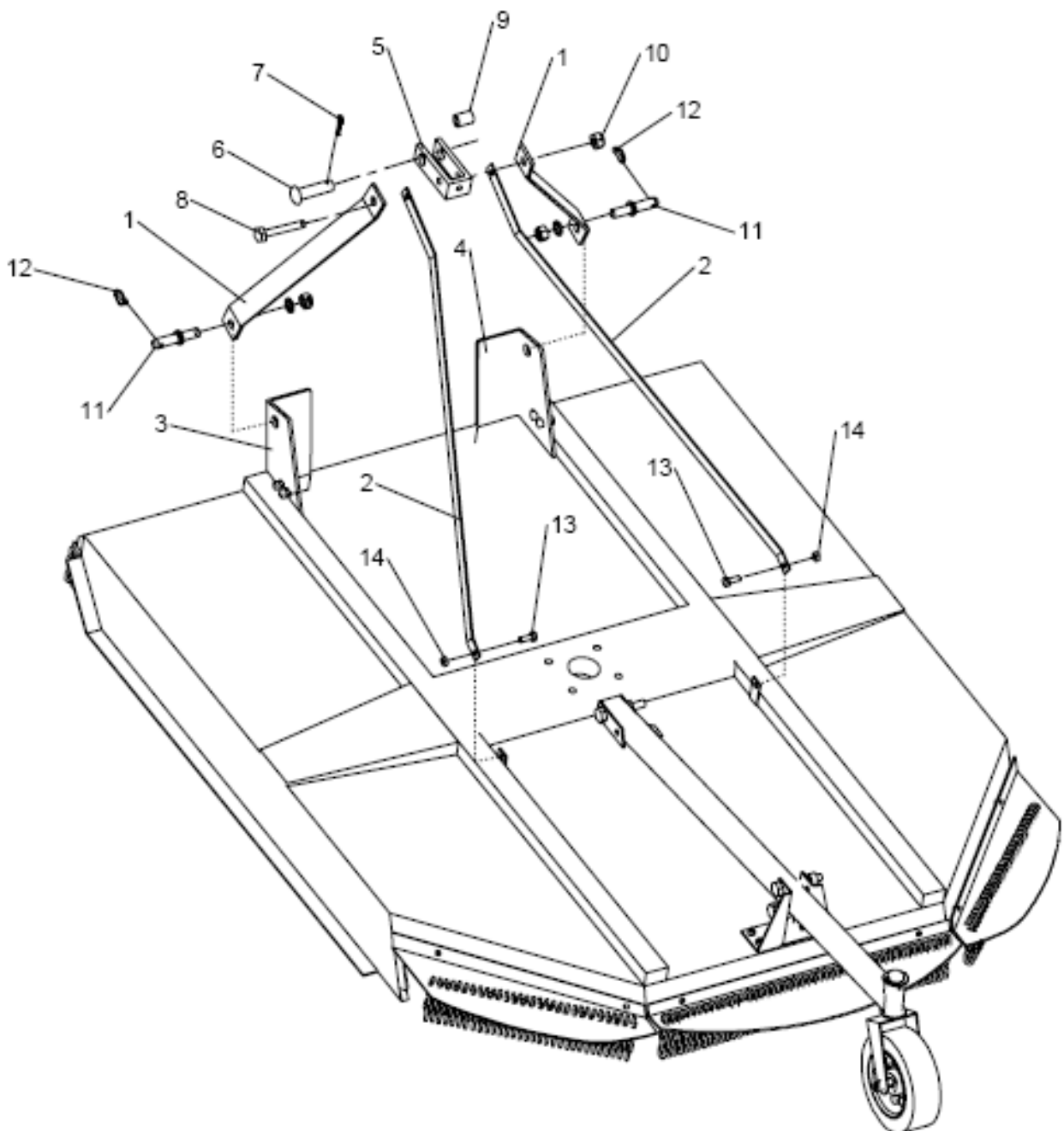
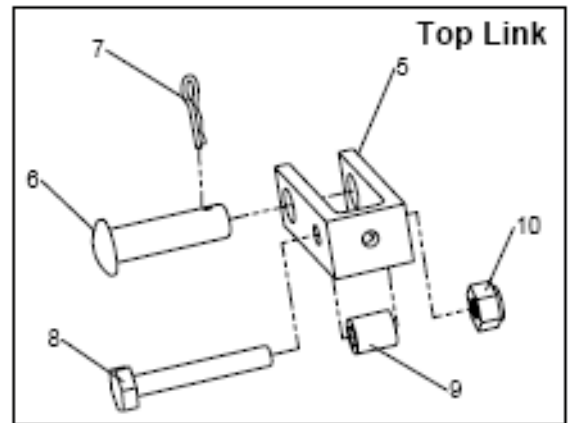
The information contained in this manual is correct at the time of publication. However, in the course of constant development, changes in specification are inevitable. Should you find the information given in this book different to the machine it relates to, please contact the "After Sales Department" for advise.

### Key:

(LH) = Left hand  
(RH) = *Right hand*

# Spearhead Swipe €150, €180 & €210

## €150/180 - 'A' Frame Assembly



# Spearhead Swipe €150, €180 & €210

---

## €150/180 - 'A' Frame Assembly

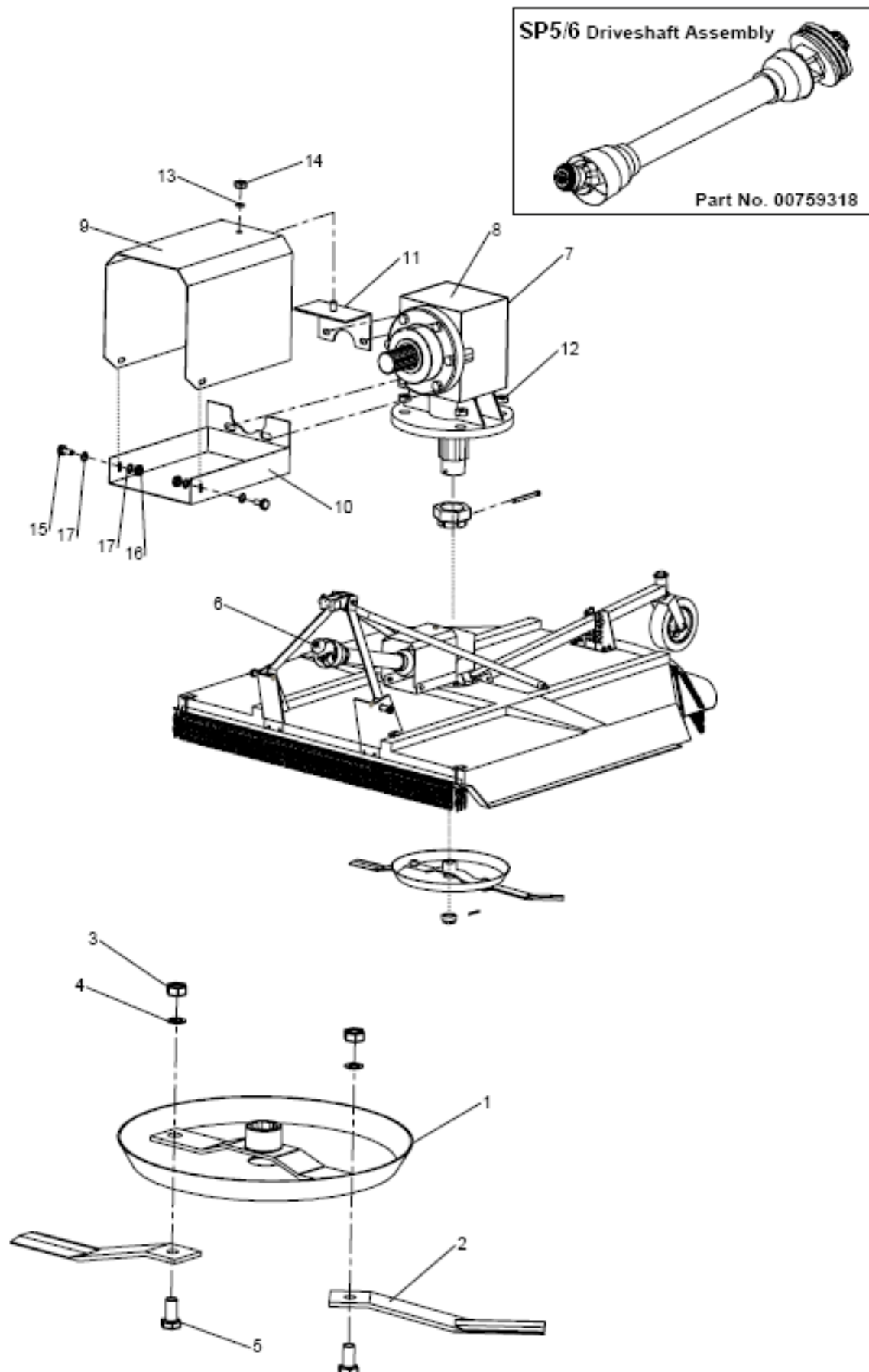
REF. NO	QTY.	PART NO.	DESCRIPTION
1	2	00766505	A FRAME HALF
2	2	00766506	TIE BAR
3	1	00766586	LH BRACKET
4	1	00766587	RH BRACKET
5	1	00766540	TOP LINK
6	1	37107B12	PIN
7	1	05.964.01	R CLIP
8	1	05.292.47	BOLT
9	1	00766542	BUSH
10	1	05.287.05	LOCKNUT
11	2	00609500	LINKAGE PIN
12	2	0431217	LYNCH PIN
13	2	9313086	BOLT
14	2	9143006	NUT

## €150/180 - 'A' Frame Assembly

REF. NO	QTY.	PART NO.	DESCRIPTION
1	2	00766595	A FRAME HALF
2	2	00766591	TIE BAR
3	1	00766586	LH BRACKET
4	1	00766587	RH BRACKET
5	1	00766540	TOP LINK
6	1	37107B12	PIN
7	1	05.964.01	R CLIP
8	1	05.292.47	BOLT
9	1	00766542	BUSH
10	1	05.287.05	LOCKNUT
11	2	00603500	LINKAGE PIN
12	2	0431217	LYNCH PIN
13	2	9313086	BOLT
14	2	9143006	NUT

# Spearhead Swipe €150, €180 & €210

## €150/180 - Guarding & Blades



# Spearhead Swipe €150, €180 & €210

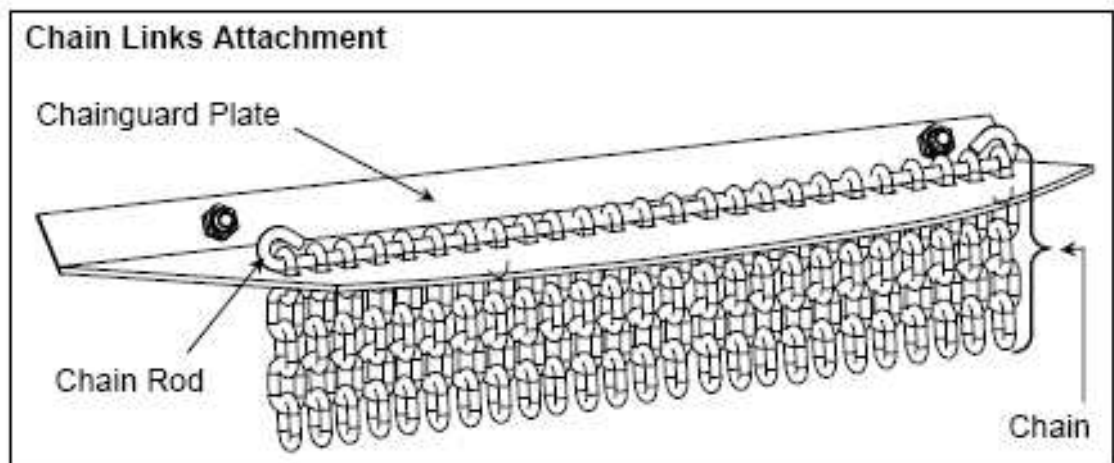
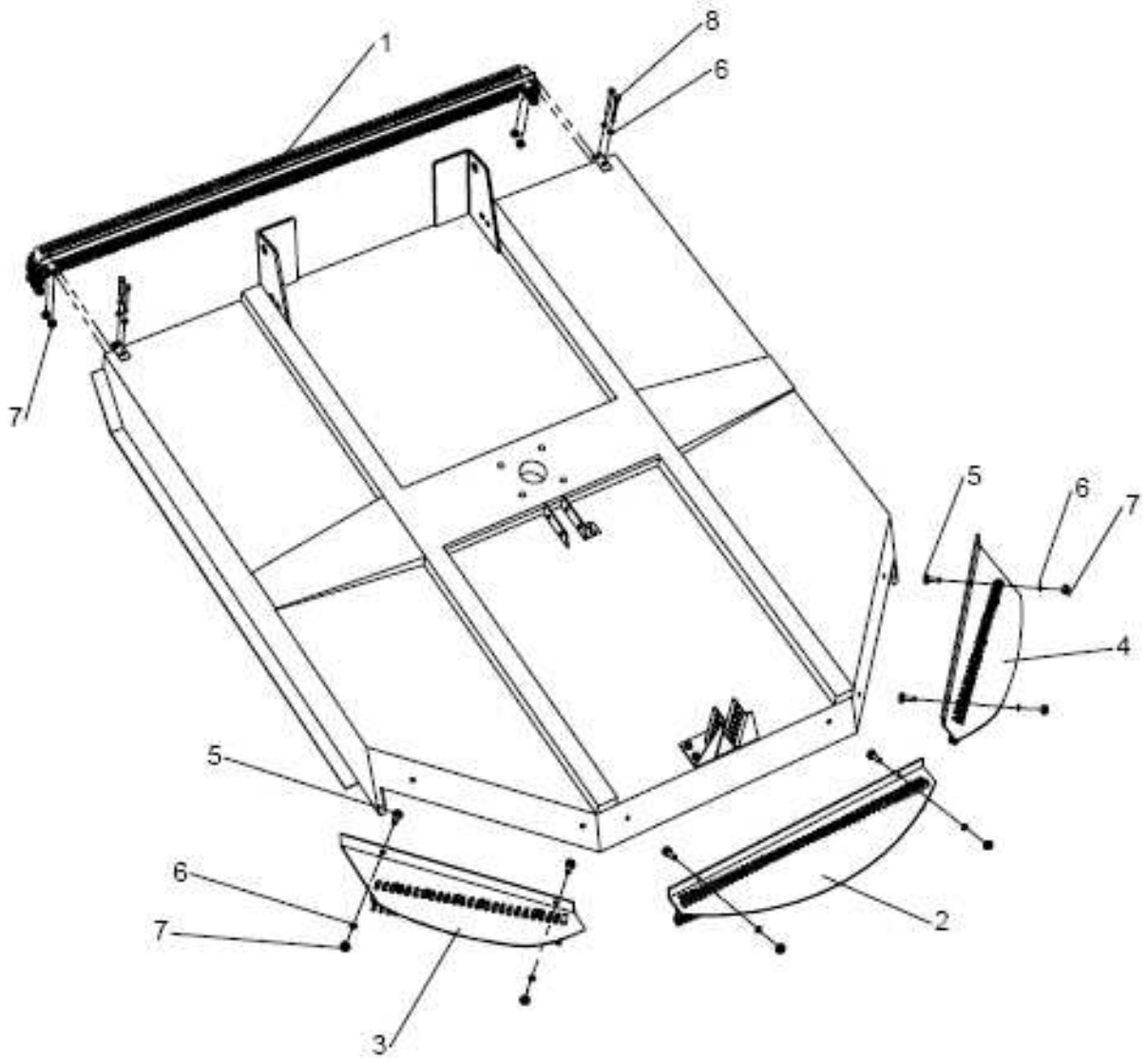
---

## €150/180 - Guarding & Blades

REF. NO	QTY	PART NO.	DESCRIPTION
1	1	00766590	BLADE PAN SP5
	1	00770064	BLADE PAN SP6
2	2	00764665	BLADE SP5
	2	1046006	BLADE SP6
3	2	00761402	BOLT
4	2	00761535	WASHER
5	2	014008	NUT
6	1	00759318	PTO SHAFT
7	1	00758654	BREATHER
8	1	0711050100	GEARBOX ASSEMBLY
9	1	45641.01	UPPER GUARD
10	1	00762985A	LOWER GUARD
11	1	45641.12	BRACKET
12	4	9100028	LOCKNUT
13	1	9100006	WASHER
14	1	9143006	LOCKNUT
15	2	9300122	BOLT
16	2	9100030	NUT
17	4	9100106	WASHER

# Spearhead Swipe €150, €180 & €210

## €150/180 - Chain Guards





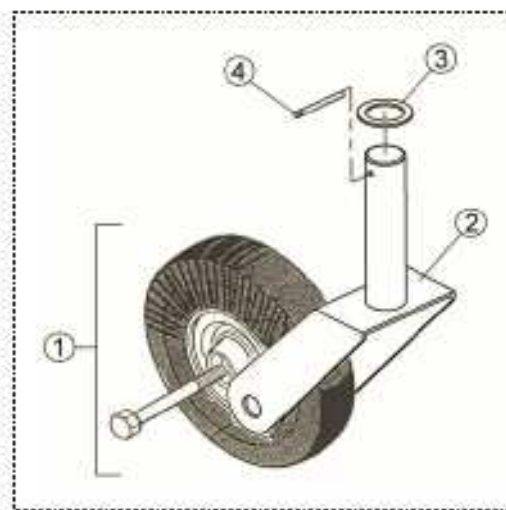
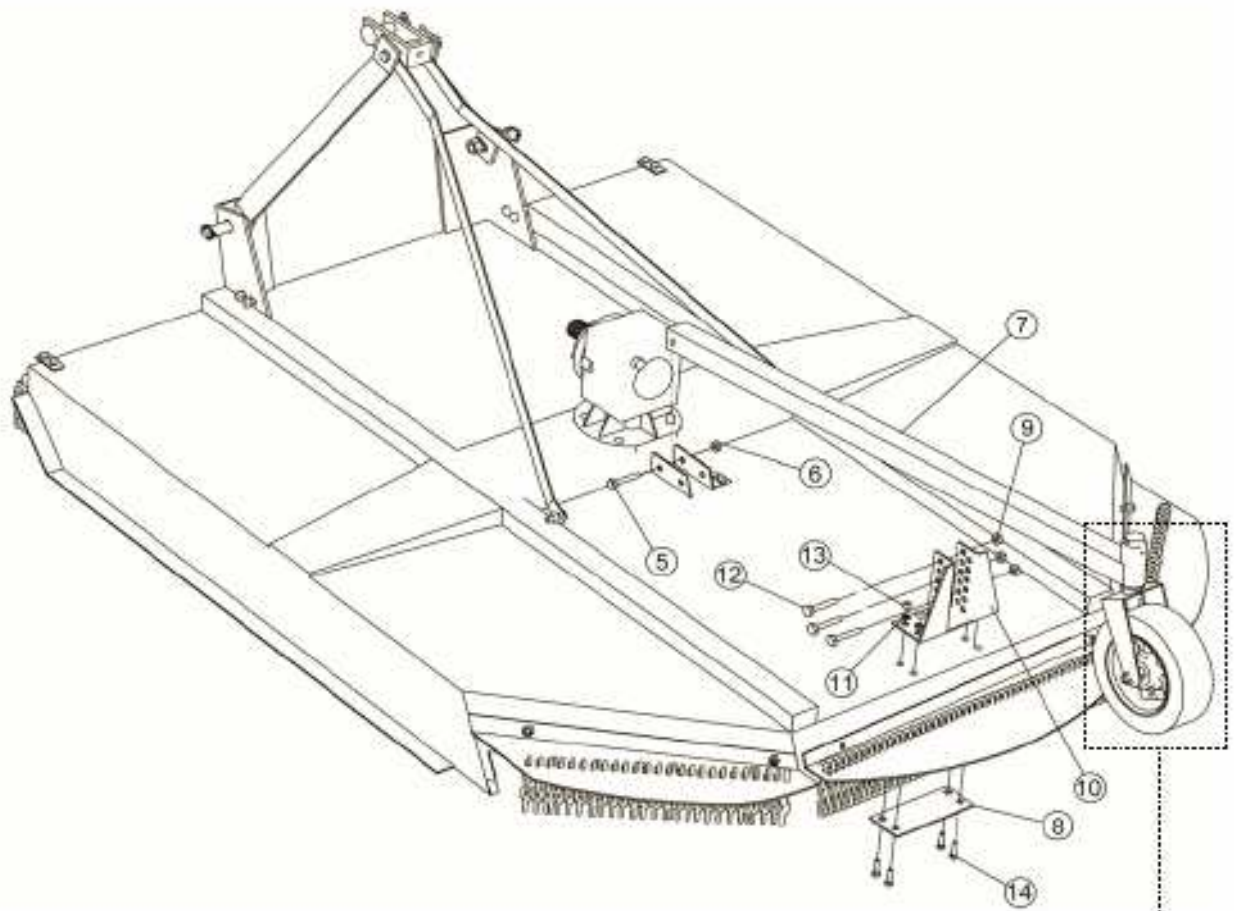
# Spearhead Swipe €150, €180 & €210

## €150/180 - Chain Guards

REF. NO	QTY.	PART NO.	DESCRIPTION
1	1	00766575	SP5 CHAIN-GUARD ASSEMBLY
	1	00766538	PLATE
	51	00766578	CHAIN - 5 LINK
	1	00766534	ROD
	1	00766539	SP6 CHAIN-GUARD ASSEMBLY
	1	00766538	PLATE
	61	00766578	CHAIN - 5 LINK
	1	0652100202	ROD
2	1	00766560	SP5 CHAIN-GUARD ASSEMBLY
	1	00766561	PLATE
	24	0766578	CHAIN - 5 LINK
	1	0652100102	ROD
	1	00766529	SP6 CHAIN-GUARD ASSEMBLY
	1	00766530	PLATE
	28	00766578	CHAIN - 5 LINK
	1	00766531	ROD
3	1	00766567	SP5 CHAIN-GUARD LH ASSEMBLY
	1	00766568	PLATE
	20	00766578	CHAIN - 5 LINK
	1	00766565	ROD
	1	00766527	SP6 CHAIN-GUARD LH ASSEMBLY
	1	00766528	PLATE
	23	00766578	CHAIN - 5 LINK
	1	00766525	ROD
4	1	00766564	SP5 CHAIN-GUARD RH ASSEMBLY
	1	00766566	PLATE
	20	00766578	CHAIN - 5 LINK
	1	00766565	ROD
	1	00766522	SP6 CHAIN-GUARD RH ASSEMBLY
	1	00766524	PLATE
	23	00766578	CHAIN - 5 LINK
	1	00766525	ROD
5	6	9313086	BOLT
6	10	9100106	WASHER
7	10	9143006	LOCKNUT
8	4	9213266	BOLT

# Spearhead Swipe €150, €180 & €210

## €150/180 - Height-Wheel



# Spearhead Swipe €150, €180 & €210

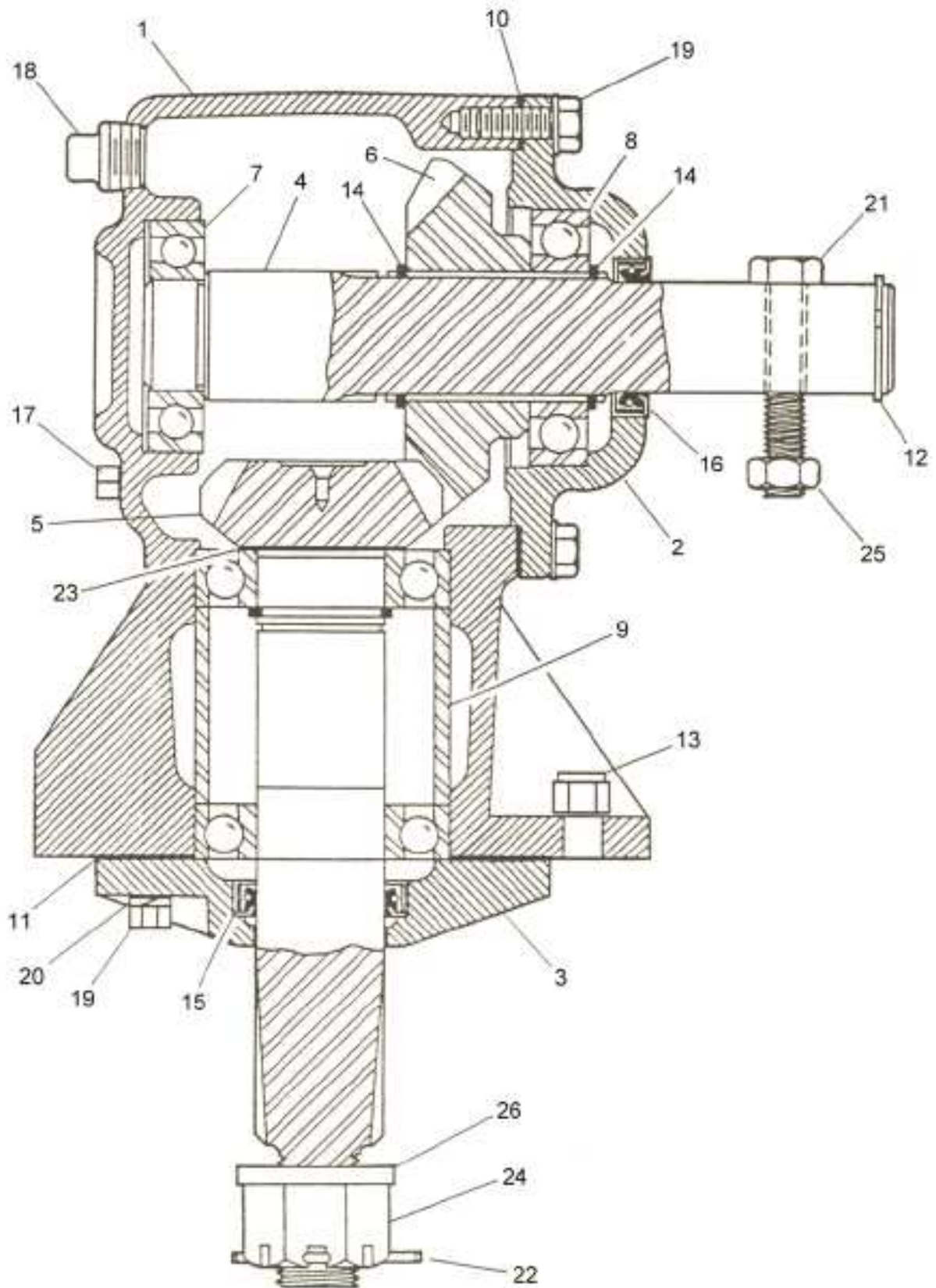
---

## €150/180 - Height-Wheel

REF. NO	QTY.	PART NO.	DESCRIPTION
1	1	1020519	WHEEL ASSEMBLY
	1	1020531	WHEEL
	1	1020532	HUB
2	1	1028308	WHEEL FORK
3	1	15B2400	WASHER
4	1	00758899	SPLIT PIN
5	1	9213187	BOLT
6	1	9143009	LOCKNUT
7	1	00766517	SP5 WHEEL ARM
	1	00771599	SP6 WHEEL ARM
8	1	00766610	PLATE
9	3	9143006	LOCKNUT
10	1	00766611	BRACKET
11	4	9100020	WASHER
12	3	9213166	BOLT
13	4	9100022	LOCKNUT
14	4	9200016	SETSCREW

# Spearhead Swipe €150, €180 & €210

## €150/180 - Gearbox



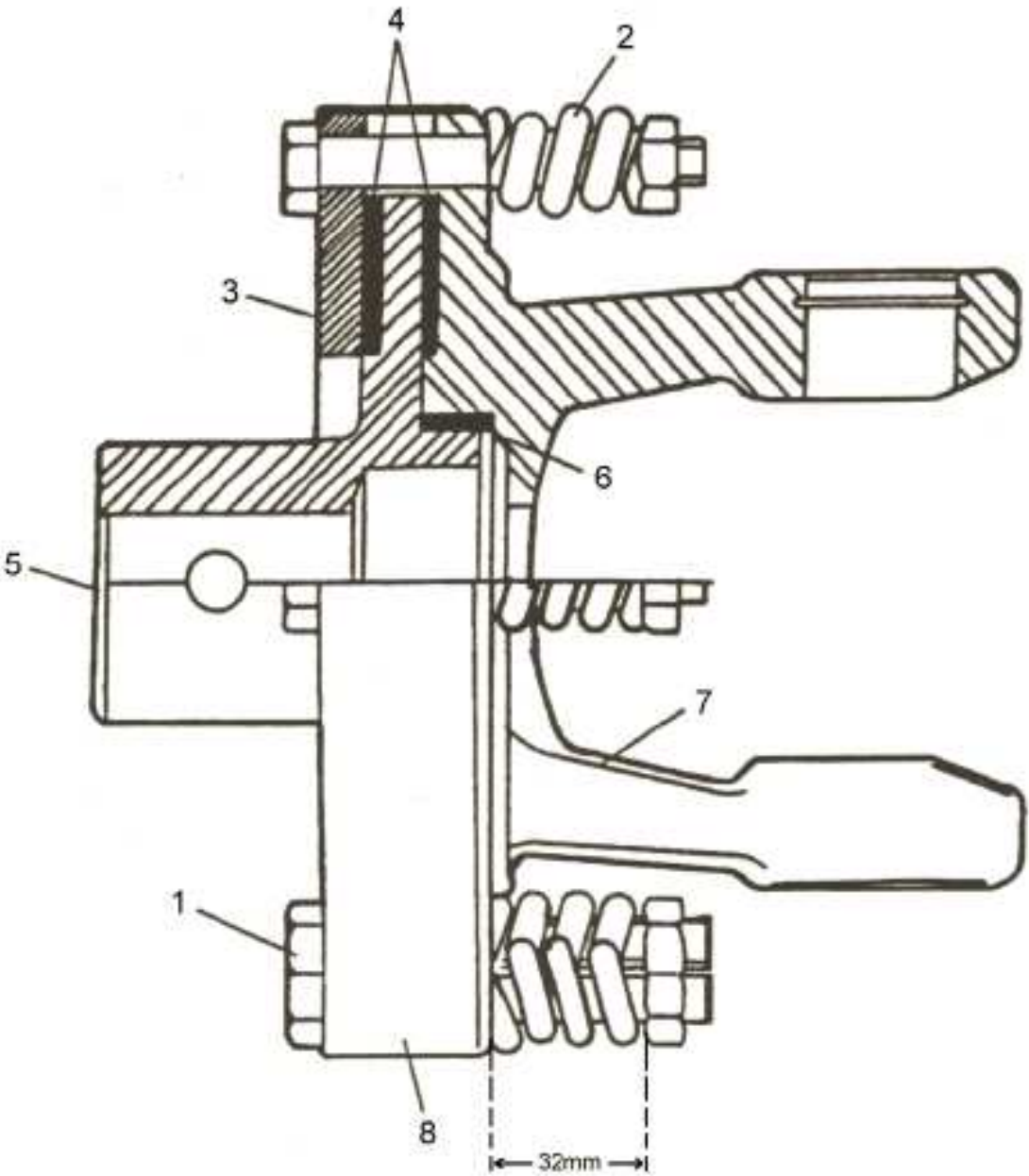
# Spearhead Swipe €150, €180 & €210

€150/180 - Gearbox

REF. NO	QTY	PART NO.	DESCRIPTION
		0711050100	GEARBOX ASSEMBLY
1	1	00563900	HOUSING
2	1	00564300	PLATE
3	1	00757683	PLATE
4	1	00564700	INPUT SHAFT
5	1	00564000	OUTPUT SHAFT
6	1	00564600	GEAR
7	1	00564800	BEARING
8	3	00563700	BEARING
9	1	00757682	SPACER
10		00564400	SHIM
11		00760929	SHIM 0.25
		00760928	SHIM 0.10
12	1	7192	CIRCLIP
13	4	02956948	LOCKNUT
14	3	00564100	CIRCLIP
15	1	00563500	OIL SEAL
16	1	00564200	OIL SEAL
17	1	00565000	PLUG
18	1	00749508	PLUG
19	6	00011400	BOLT
20	10	02161100	WASHER
21	1	02-12-245	BOLT
22	1	05-03-245	SPLIT PIN
23		00758671	SHIM
24	1	7202	NUT
25	1	00001800	LOCKNUT
26	1	6192	WASHER

# Spearhead Swipe €150, €180 & €210

## €150/180 - Slip Clutch



# Spearhead Swipe €150, €180 & €210

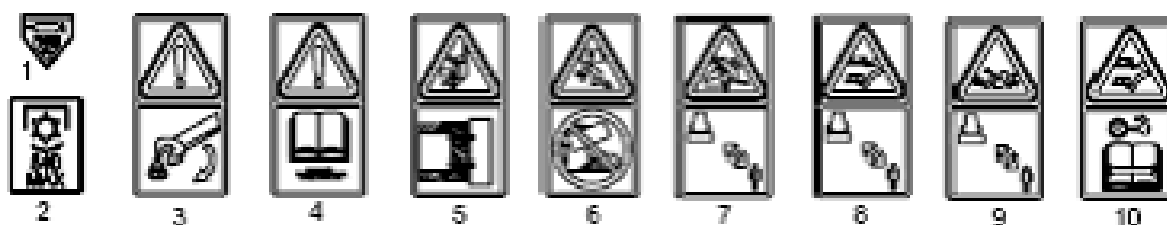
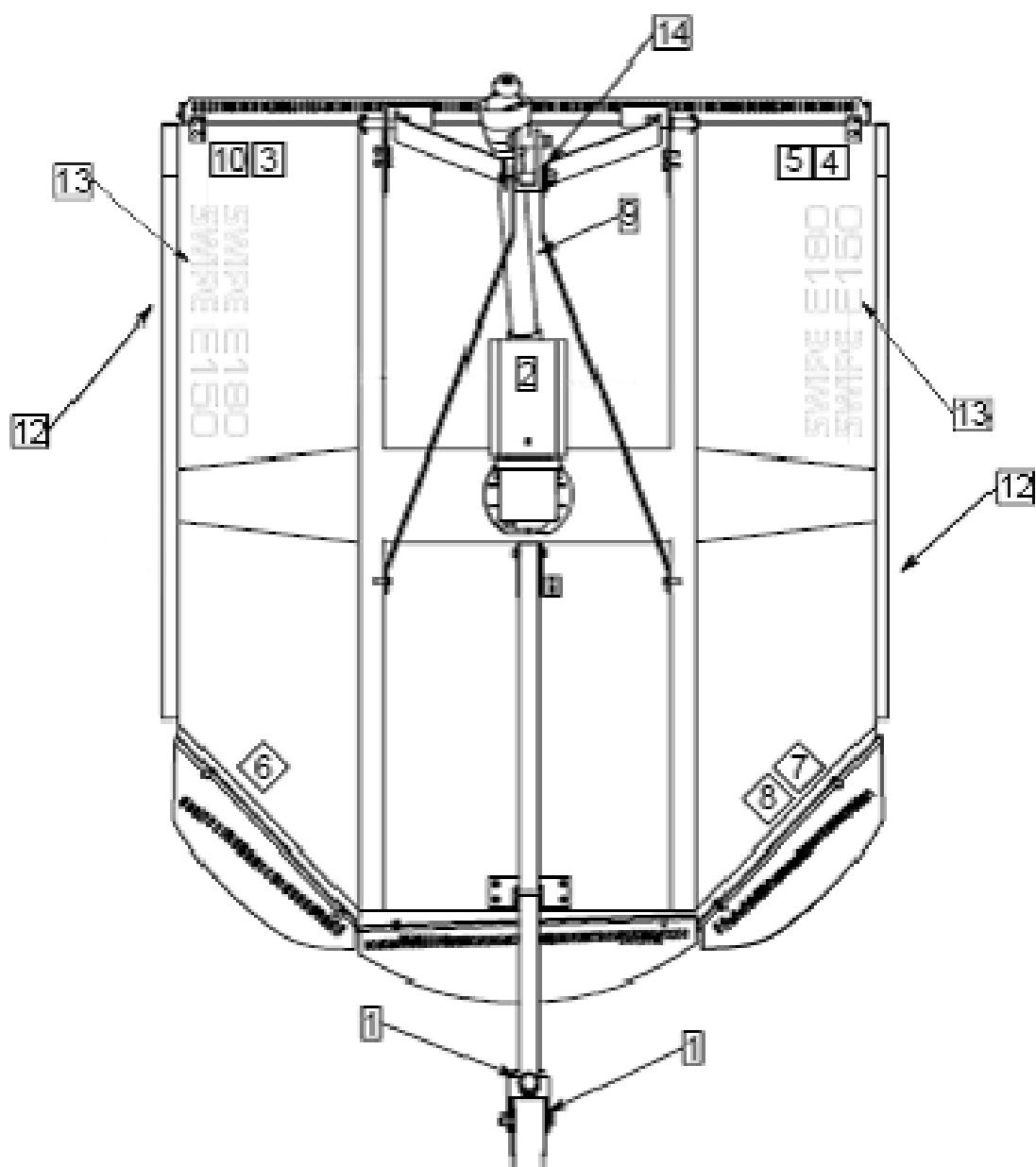
---

€150/180 - Slip Clutch

REF. NO	QTY.	PART NO.	DESCRIPTION
1	8	00762249	BOLT
2	8	00762250	SPRING
3	1	00762247	PLATE
4	2	00762248	FRICTION DISC
5	1	0072243	HUB
6	1	00762251	RING
7	1	00762244	FLANGE YOKE
8	1	00762252	COVER

# Spearhead Swipe €150, €180 & €210

## €150/180 - Decals





# Spearhead Swipe €150, €180 & €210

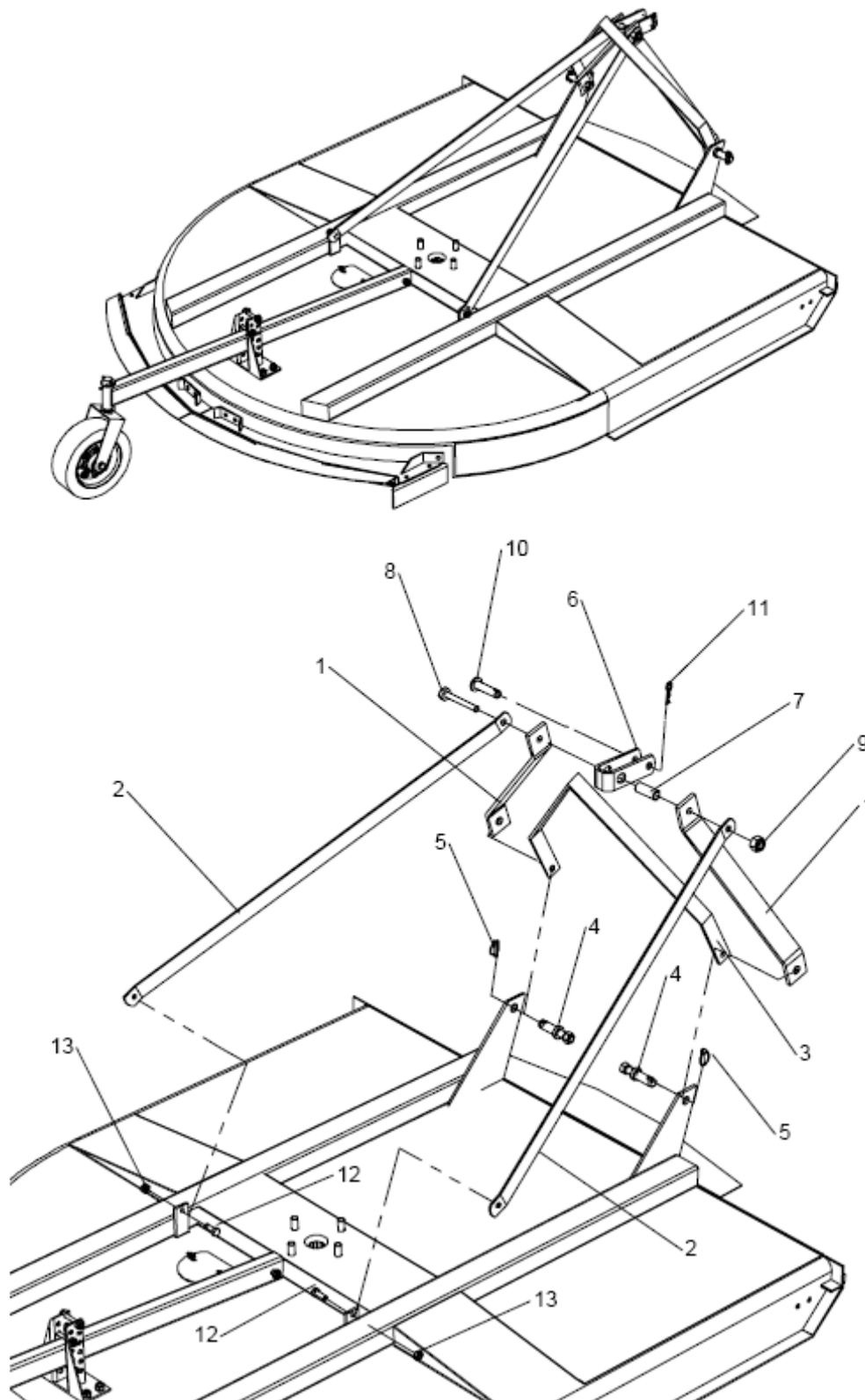
---

## €150/180 - Decals

REF. NO	QTY.	PART NO.	DESCRIPTION
1	2	09.810.03	GREASE
2	1	09.811.04	540 PTO
3	1	09.821.10	KEEP BOLTS TIGHT
4	1	09.821.15	READ INSTRUCTION BOOK
5	1	09.821.16	DANGER AREA
6	1	09.821.17	UNSUPPORTED MACHINE
7	1	09.821.18	THROWN DEBRIS
8	1	09.821.19	ROTARY HEAD DANGER
9	1	09.821.20	SHAFT ENTANGLEMENT
10	1	09.821.22	UNBLOCK HEAD (ROTARY)
12	2	8770373	SPEARHEAD DECAL
13	2	8770389	SWIPE E 150 DECAL
		8770661	SWIPE E 180 DECAL

# Spearhead Swipe €150, €180 & €210

## €210 – 'A' Frame Assembly



# Spearhead Swipe €150, €180 & €210

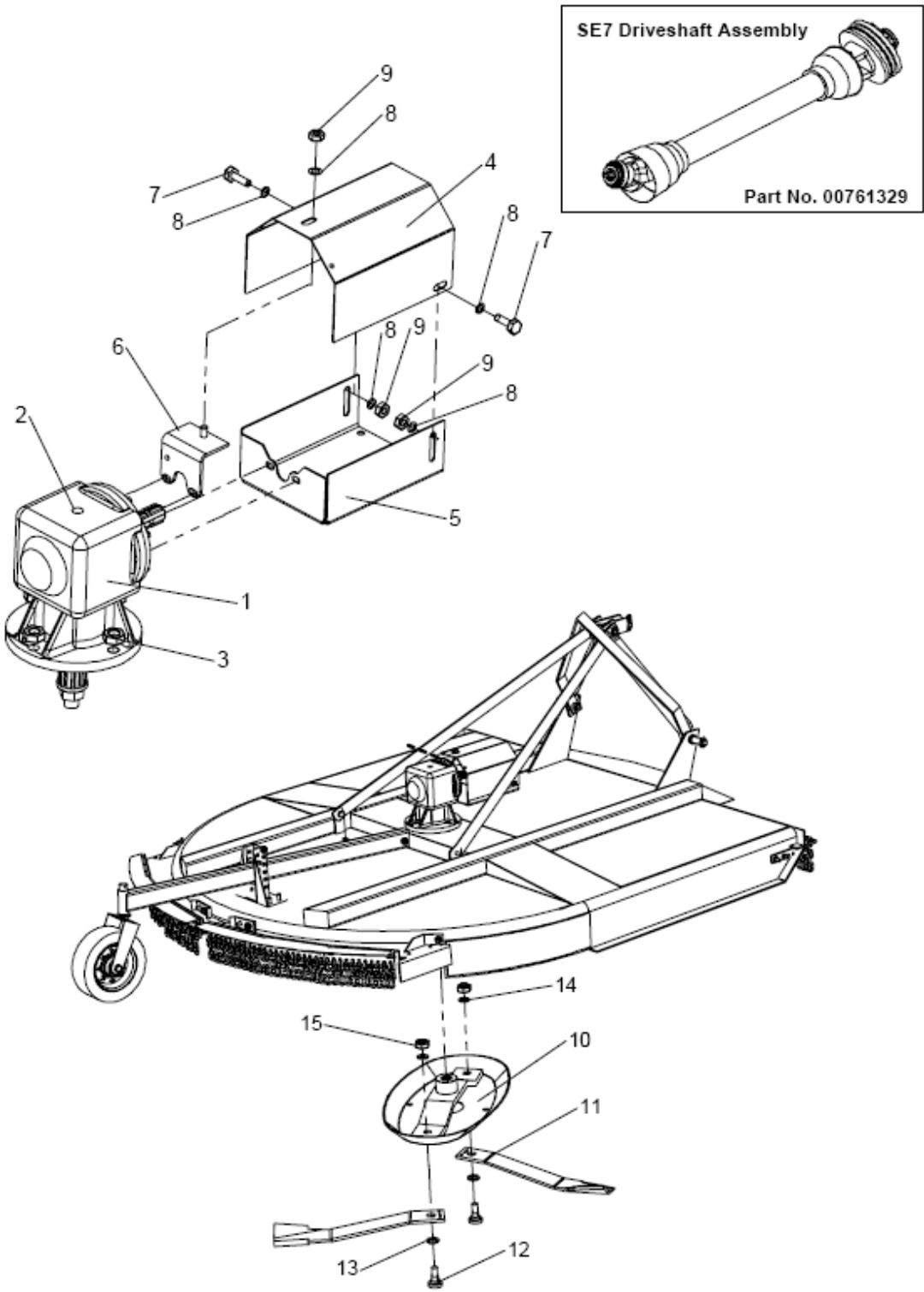
---

## €210 – 'A' Frame Assembly

REF. NO	QTY.	PART NO.	DESCRIPTION
1	2	00776052	BAR – A FRAME HALF
2	2	00776050	LIFT STRAP BAR
3	1	45867.01	TRANSPORT STRAP
4	2	441027	CAT II LINCH PIN C/W NUT & SPRING WASHER
5	2	0431217	LINCH PIN
6	1	00757949	TOP LINK
7	1	00766542	BUSHING
8	1	9213308	BOLT
9	1	9143008	SELF LOCKING NUT
10	1	37107B12	TOP LINK PIN
11	1	05.964.01	SPRING COTTER
12	2	931076	SETSCREW
13	2	9143006	SELF LOCKING NUT

# Spearhead Swipe €150, €180 & €210

## €210 - Guarding & Blades



# Spearhead Swipe €150, €180 & €210

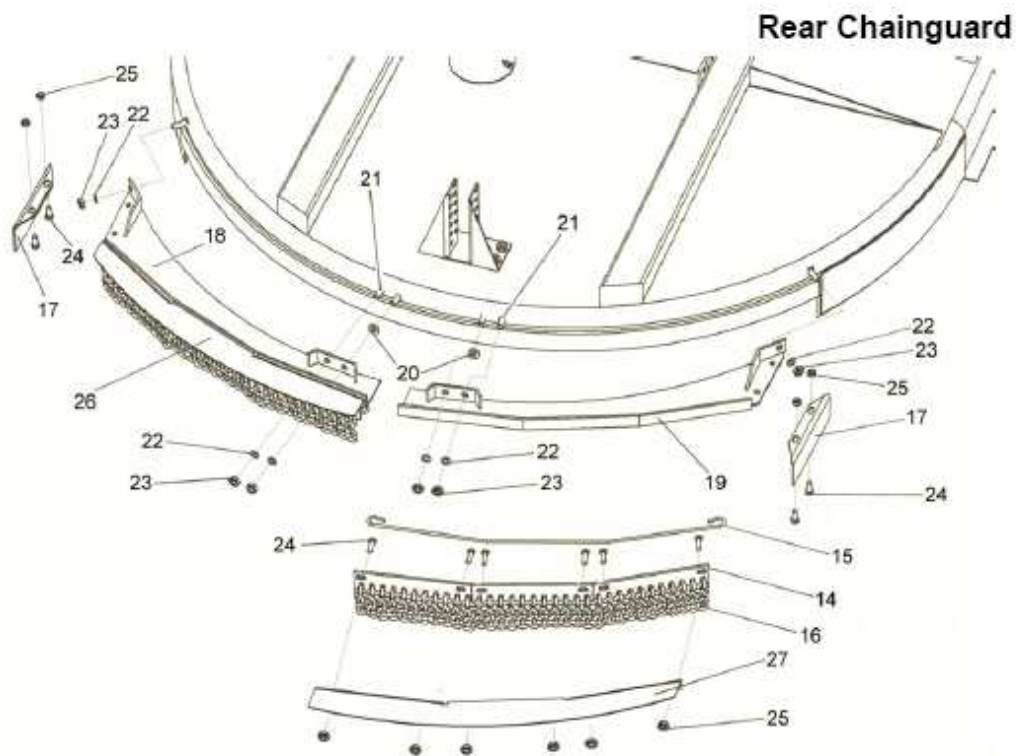
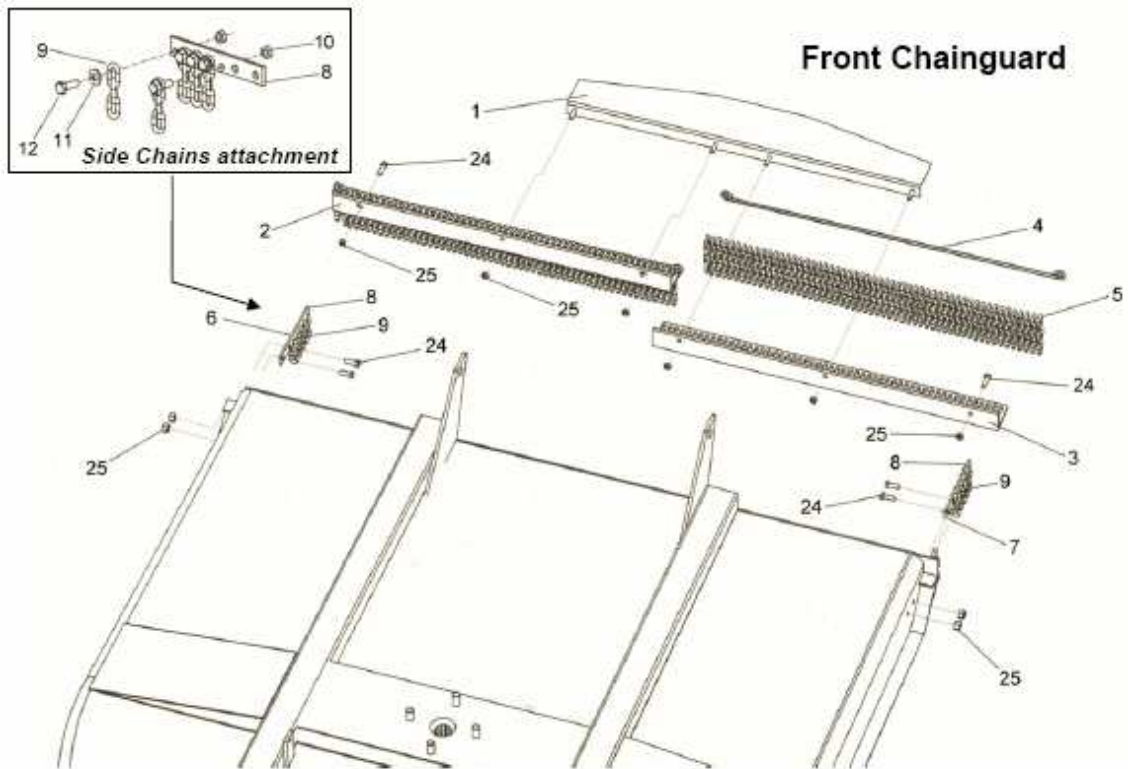
---

## €210 – Guarding & Blades

REF. NO	QTY.	PART NO.	DESCRIPTION
1	1	741031M	GEARBOX – SE 7
2	1	00758654	GEARBOX BREATHER
3	4	0142007	CLEVELOC NUTS – UNF
4	1	45641.01	PLATE SHIELD
5	1	00762985A	PLATE BRACKET – BOTTOM
6	1	4561.12	SHIELD BRACKET
7	2	931056	SETSREW
8	5	9100106	WASHER
9	3	9143006	SELF LOCKING NUT
10	1	00776060	BLADE PAN
11	2	00764669	BLADE
12	2	8251	BLADE BOLT
13	2	0100109	FLAT WASHER – PLATED
14	2	00758579	SPECIAL WASHER
15	2	5JRC16140	LOCKNUT – BLADE BOLT

# Spearhead Swipe €150, €180 & €210

## €210 – Chain Guard Assemblies



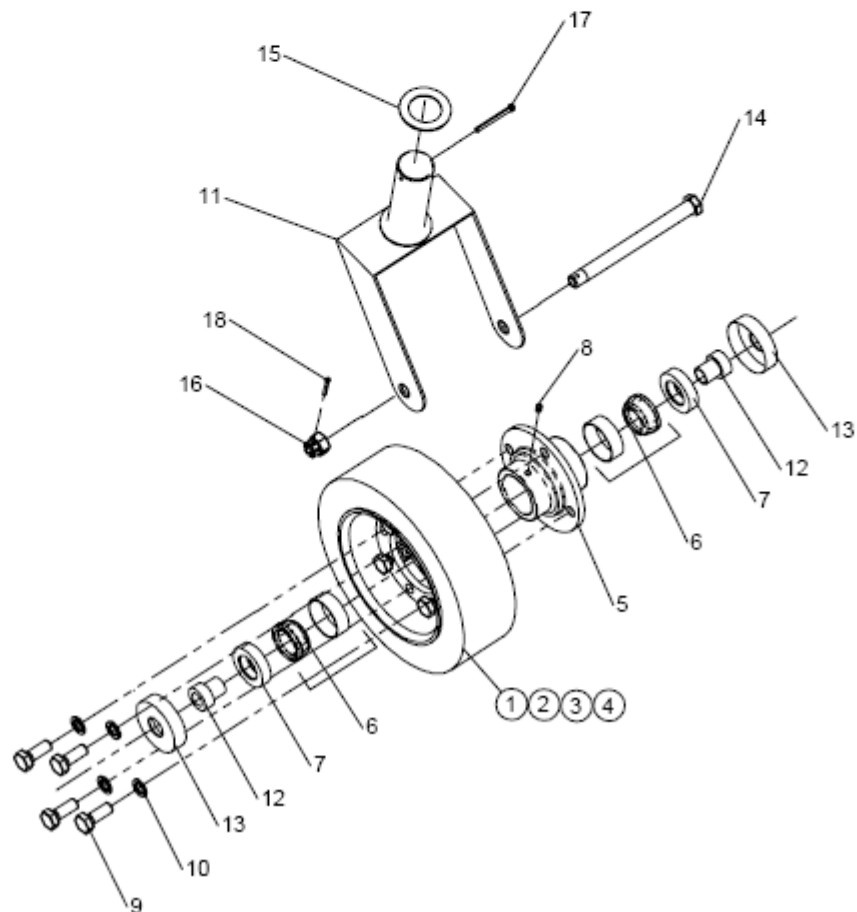
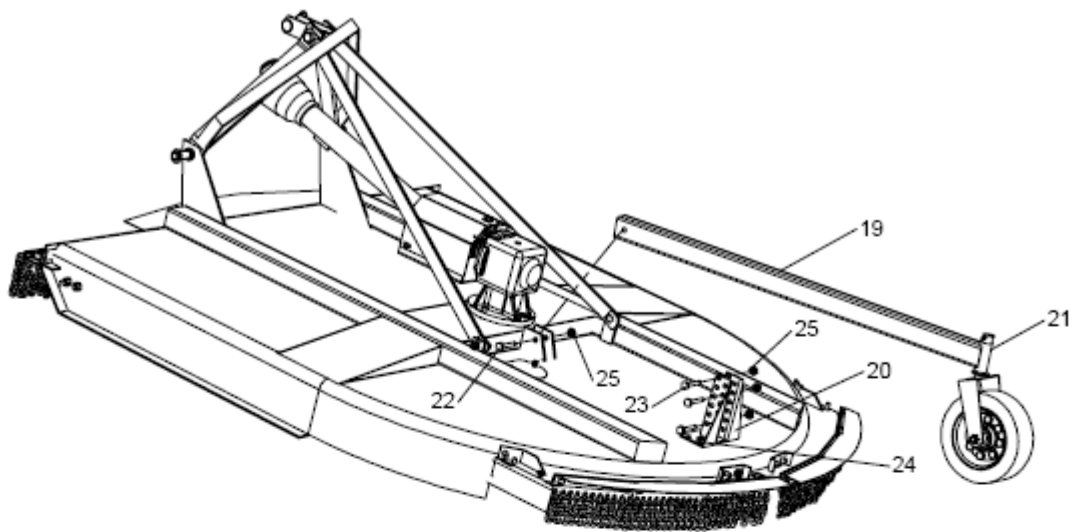
# Spearhead Swipe €150, €180 & €210

## €210 – Chain Guard Assemblies

REF. NO	QTY.	PART NO.	DESCRIPTION
		<b>00776026</b>	<b>FRONT CHAIN GUARD ASSEMBLY C/O</b>
1	1	45799.01	FRONT GUARD ASSEMBLY
2	2	00776078	FRONT CHAIN GUARD HALF C/W
3	1	00775260	PLATE – SLOTTED
4	1	0371200102	CHAIN GUARD ROD
5	78	007005090	CHAIN – 5 LINK
6	1	00776066	SIDE CHAIN GUARD ASSEMBLY L/H
7	1	00776067	SIDE CHAIN GUARD ASSEMBLY R/H
8	1	00776058	SIDE PLATE C/W
9	5	0652130101	CHAIN – 3 LINK
10	5	00015800	LOCKNUT
11	5	00011100	WASHER
12	5	02961677	BOLT
		<b>00776027</b>	<b>REAR CHAIN GUARD ASSEMBLY C/O</b>
13	2	00776065	REAR CHAIN GUARD C/W
14	1	00774000	CHAIN GUARD PLATE
15	1	00959900	CHAIN GUARD ROD
16	33	0731361104	CHAIN – 4 LINK
17	2	00776055	SIDE SHIELD
18	1	00773997	DEFLECTOR MOUNT L/H
19	1	00773998	DEFLECTOR MOUNT R/H
20	2	00776072	SPACER
21	6	931086	SETSCREW
22	6	9100106	WASHER
23	6	9143006	SELF LOCKING NUT
24	22	9313066	SET SCREW
25	26	9143006	SELF LOCKING NUT
26	1	45799.31	SKIRT EXTENSION L/H
27	1	45799.32	SKIRT EXTENSION R/H

# Spearhead Swipe €150, €180 & €210

## €210 – Tail Wheel Assembly





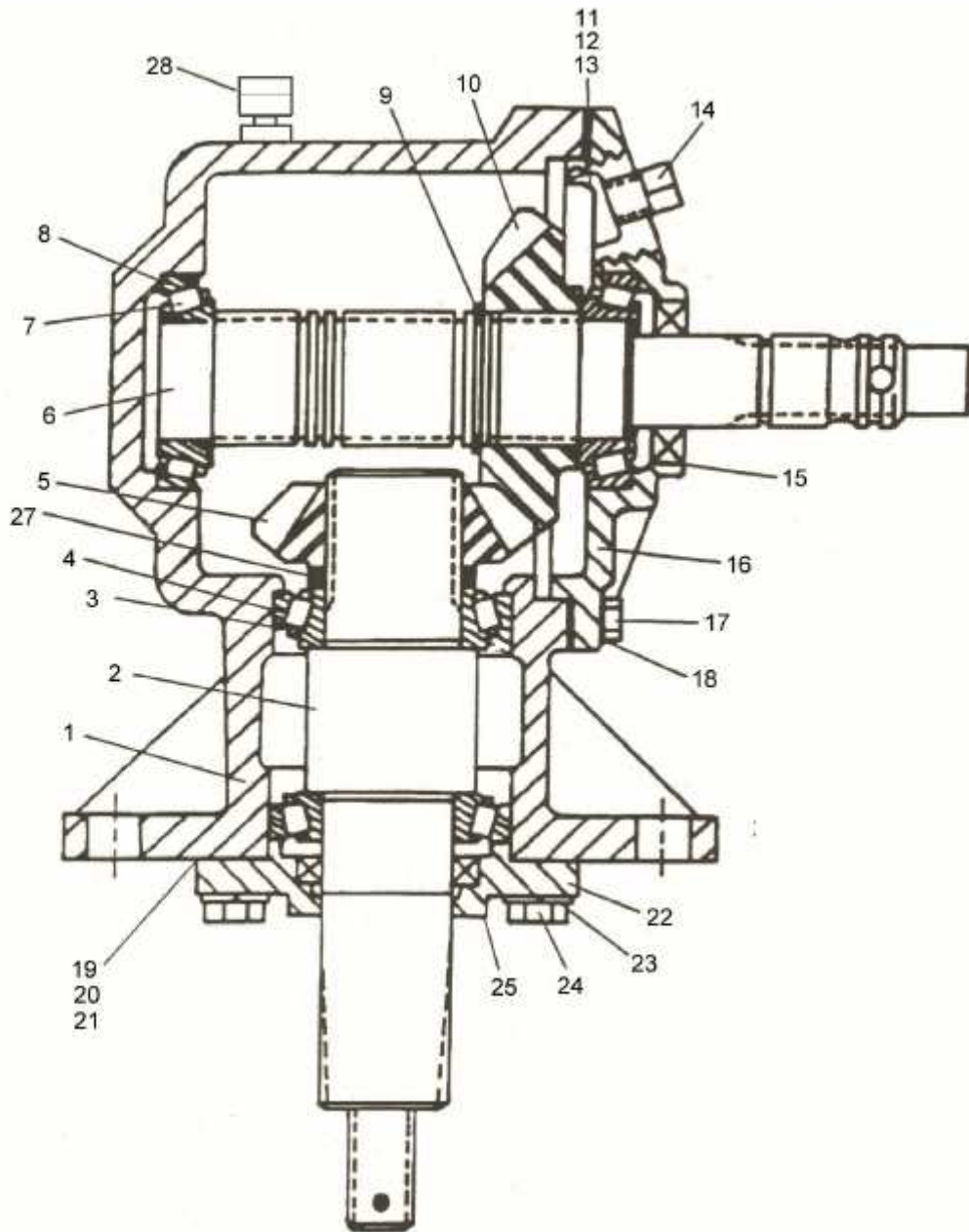
# Spearhead Swipe €150, €180 & €210

## €210 – Tail Wheel Assembly

REF. NO	QTY.	PART NO.	DESCRIPTION
		<b>00776210</b>	<b>TAIL WHEEL COMPLETE ASSEMBLY</b>
1	1	373024H	TYRE & WHEEL (BOLTED ASSEMBLY ONLY – LESS HUB)
2	1	373024	WHEEL ASSEMBLY C/W *
3	1	303024A	* TYRE
4	1	373024B	* WHEEL ONLY – 8" DIAMETER BOLTED ASSEMBLY
5	1	00776214	HUB
6	2	00776213	BEARING & CUP
7	2	00776219	SEAL – GREASE
8	1	00772082	GREASE FITTING
9	4	00776214	SCREW – HEX HEADED
10	4	00776215	LUG WASHER
11	1	00776224	FORK
12	2	00772017	SLEEVE (SHOULDER)
13	2	00772018	DUST CUP
14	1	00776211	SPINDLE BOLT
15	2	15B2000	PLAIN WASHER
16	1	00776212	NUT
17	1	00036900	COTTER PIN
18	1	00771620	ROLL PIN
19	1	00776059	TAIL WHEEL BEAM
20	1	00766611	TAIL WHEEL BRACKET
21	1	00772082	GREASE FITTING
22	1	9213187	BOLT
23	3	9213166	BOLT
24	4	9313076	SET SCREW
25	4	9143006	SELF LOCKING NUT

# Spearhead Swipe €150, €180 & €210

## €210 Gearbox Assembly



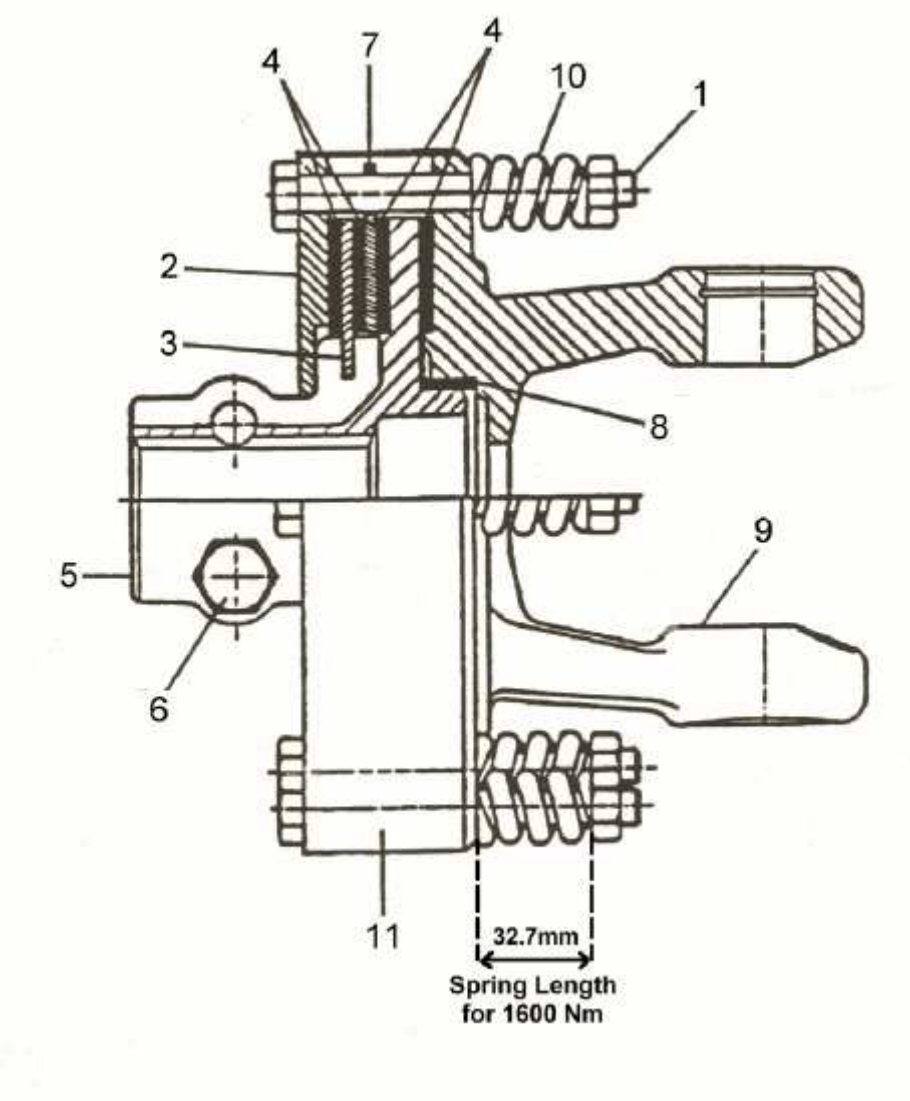
# Spearhead Swipe €150, €180 & €210

## €210 Gearbox Assembly

REF. NO	QTY.	PART NO.	DESCRIPTION
		<b>741031M</b>	<b>SE7 GEARBOX ASSEMBLY</b>
1	1	00758989	HOUSING
2	1	00758990	OUTPUT SHAFT
3	2	00748522	BEARING CONE
4	2	00020600	BEARING CUP
5	1	00759055	OUTPUT GEAR – 17 TEETH
6	1	00758991	INPUT SHAFT
7	2	00748527	BEARING CONE
8	2	00748525	BEARING CUP
9	1	00748526	RETAINING RING
10	1	00759054	INPUT GEAR – 17 TEETH
11	AS REQ	7010420	GASKET 0.3
12	AS REQ	7010420	GASKET 0.15
13	AS REQ	7010420	GASKET 0.1
14	2	00753630	PIPE PLUG
15	1	00753644	SEAL
16	1	741035	UNPUT CAP
17	8	00753642	CAP SCREW
18	8	00753633	LOCK WASHER
19	AS REQ	00748520	GASKET 0.3
20	AS REQ	00748520	GASKET 0.15
21	AS REQ	00748520	GASKET 0.1
22	1	00752155	OUTPUT CAP
23	4	00753743	LOCK WASHER
24	4	00748823	CAP SCREW
25	1	00753634	SEAL
26	1	00753631	PIPE PLUG – NOT ILLUSTRATED
27	1	00759053	SPACER
28	1	00758654	BREATHER

# Spearhead Swipe €150, €180 & €210

## €210 – Slip Clutch Assembly



# Spearhead Swipe €150, €180 & €210

---

## €210 – Slip Clutch Assembly

REF. NO	QTY.	PART NO.	DESCRIPTION
		<b>00754200</b>	<b>SLIP CLUTCH ASSEMBLY</b>
1	8	00754199	NUT & BOLT
2	1	00754203	PRESSURE PLATE
3	1	00754201	INNER PLATE
4	4	00754202	CLUTCH LINING
5	1	00754300	CLUTCH BODY
6	2	00752903	BOLT & NUT SET
7	1	00754314	PLATE WITH HOLES
8	2	00754301	SPACER
9	1	00754302	YOKE
10	8	00754303	CLUTCH SPRING
11	1	0075403	DIRT SHIELD

# Spearhead Swipe €150, €180 & €210

## €210 - Decals



Spearhead  SWIPE E210



12

13

14

# Spearhead Swipe €150, €180 & €210

---

## €210 - Decals

REF. NO	QTY.	PART NO.	DESCRIPTION
1	2	09.810.03	GREASE 100 HRS
2	1	09.811.04	PTO SPEED 540 RPM
3	1	09.821.10	KEEP NUTS TIGHT
4	1	09.821.15	READ INSTRUCTION MANUAL
5	1	09.821.16	KEEP OUT ZONE
6	1	09.821.17	UNSUPPORTED MACHINE
7	1	09.821.18	THROWN DEBRIS
8	1	09.821.19	ROTARY HEAD DANGER
9	1	09.821.20	SHAFT ENTANGLEMENT
10	1	09.821.22	UNBLOCK HEAD (ROTARY)
12	2	8770373	SPEARHEAD DECAL
13	2	8770662	E210 DECAL
14	2	09.843.03	LIFT POINT 500KG

Spearhead Machinery  
Green View,  
Salford Priors,  
Evesham,  
Worcestershire,  
WR11 8SW

Tel: 01789 491860

Fax: 01789 778683

[www.spearheadmachinery.com](http://www.spearheadmachinery.com)  
[enquiries@spearheadmachinery.com](mailto:enquiries@spearheadmachinery.com)