

Spearhead

Trident 4000 & 5000 Flail Mowers



8999032

9th Edition - July 2014

PARTS MANUAL

Spearhead Trident 4000 & 5000

Contents

Ordering Your Part's	3
Drawbar Assembly	4
Main Frame Assembly	6
Drive Link Assembly – Main	8
Wing Arm Assembly	10
Wing Body	12
Rear Linkage Assembly	14
Head Stock Assembly	16
Rear Mower Assembly	18
Rotor Assembly	22
Roller Assembly	22
Wheel Assembly	24
Hydraulic Cylinder Assembly	26
Auxiliary Valve Assembly	28
Control Lever Assembly	30
Input P.T.O.	32
Wing P.T.O. Shaft Assembly	34
Rear P.T.O. Shaft Assembly	35
Cross Shaft Assembly - Rear Body	36
Wing Gearbox Assembly - Non-disengage	37
Wing Gearbox Assembly - Disengage	39
Decals	41

Spearhead Trident 4000 & 5000

Ordering Your Part's

When ordering parts please refer to your parts list to help your dealer with your order.

Part number and quantity
Description
Machine model number
Serial number of the machine
Delivery instructions (e.g. next day).

Delivery is normally via carrier direct to your dealer. Please check with your dealer for stock availability and arrangement of dispatch. Ensure you or your dealer has sufficient cover for parts requirement outside factory hours.

When ordering your seal kits please quote both codes stamped on the base of the cylinder.

Important Note

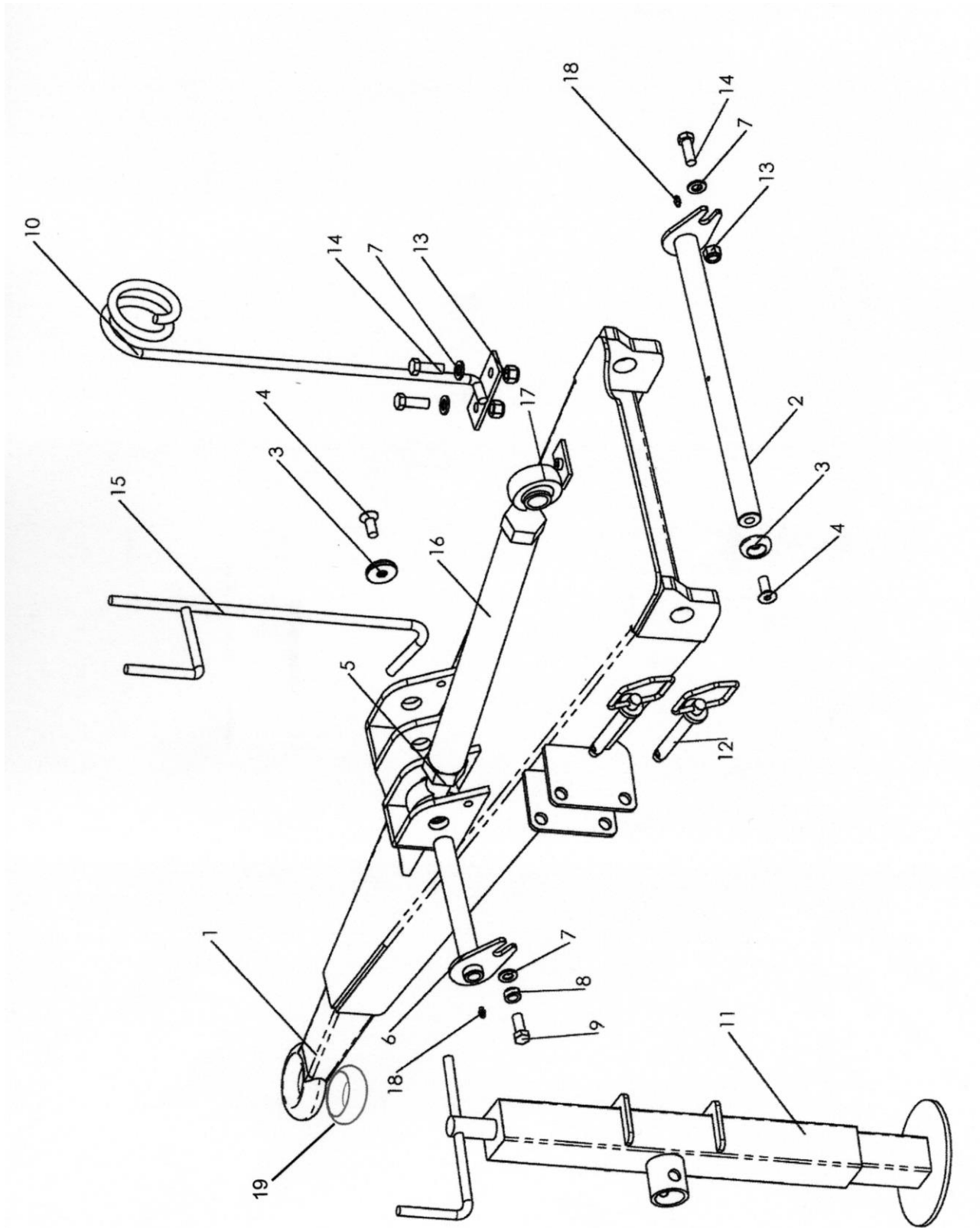
The information contained in this manual is correct at the time of publication. However, in the course of constant development, changes in specification are inevitable. Should you find the information given in this book different to the machine it relates to, please contact the "After Sales Department" for advise.

Key:

(LH) = Left hand
(RH) = *Right hand*

Spearhead Trident 4000 & 5000

Drawbar Assembly



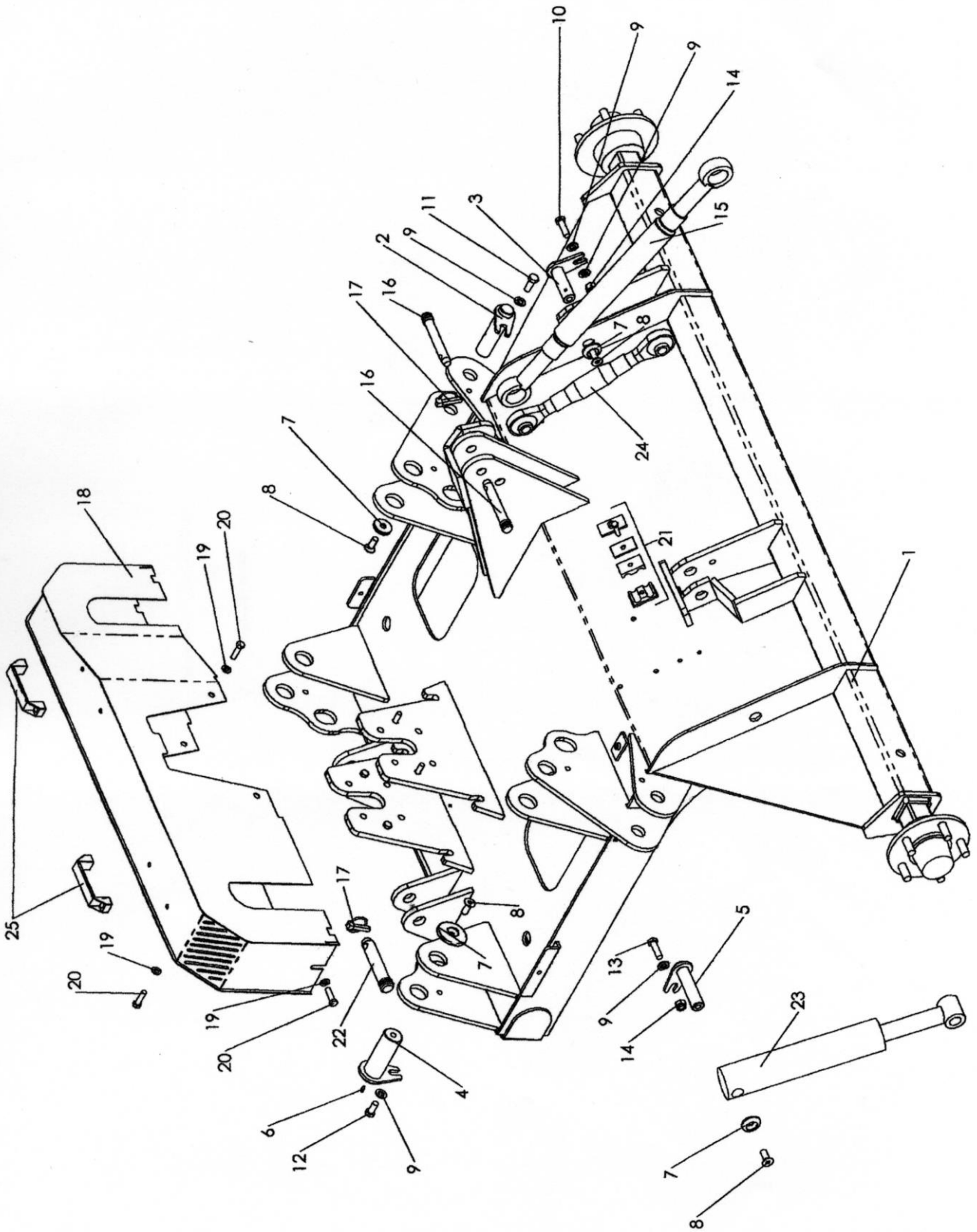
Spearhead Trident 4000 & 5000

Drawbar Assembly

REF. NO	PART NO.	DESCRIPTION
1	1771540A-A	DRAWBAR ASSEMBLY
	1771540E	DRAWBAR – EURO ASSEMBLY
	6770627	WELD IN TOWING EYE
2	1771549	PIN
3	1777209	RETAINING WASHER
4	2770506	BOLT
5	6770638	LH LINKAGE END
6	1771561	PIN
7	2770436	FLAT WASHER
8	2770442	SPRING WASHER
9	2770420	BOLT
10	1770692	HOSE GUIDE BRACKET
11	1771555A	STD JACK
	1800089	EURO JACK
12	6310220	PIN WITH HANDLE
13	2770417	NUT
14	2770535	BOLT
15	1771560	P.T.O. SUPPORT BRACKET
16	1771562	TIE BAR
17	6770631	RH LINKAGE END
18	2770467	GREASE NIPPLE
19	4600139	PLASTIC SPACER
20	6310216	LOCKING TAB (NOT SHOWN)

Spearhead Trident 4000 & 5000

Main Frame Assembly



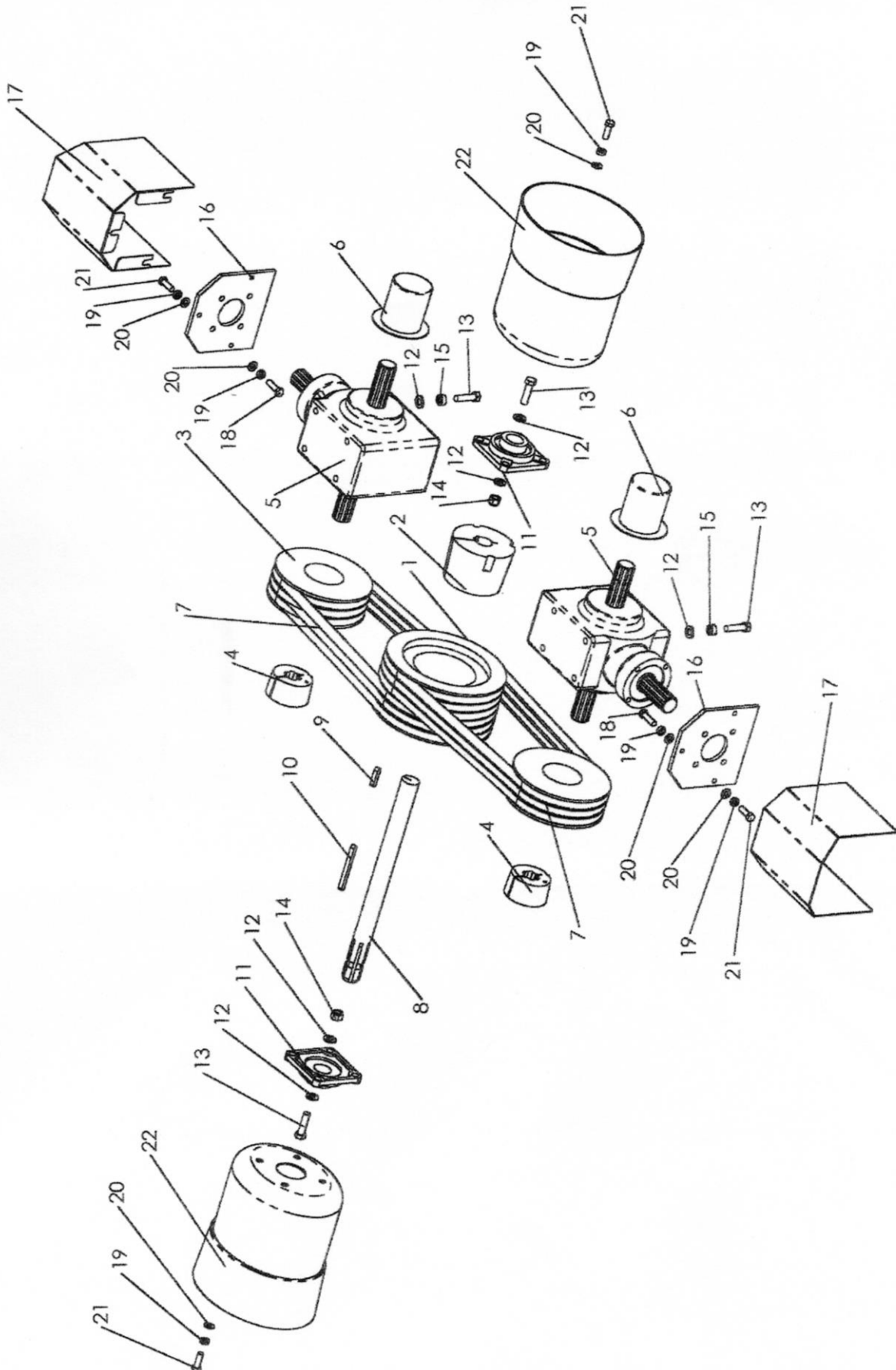
Spearhead Trident 4000 & 5000

Main Frame Assembly

REF. NO	PART NO.	DESCRIPTION
1	1771539	MAIN FRAME
2	1777468	PIN
3	1777226	PIN
4	1777760	PIN
5	1777761	PIN
6	2770467	GREASE NIPPLE
7	1777209	WASHER 40MM
7A	1777208	WASHER 65MM
7B	1777207	WASHER 75MM
8	2770506	BOLT
9	2770436	FLAT WASHER
10	2770458	BOLT
11	2770420	BOLT
12	2770484	BOLT
13	2770443	BOLT
14	2770417	NUT
15	6310177	CAT. 1 TOP LINK
16	6310202A	CAT. 1 TOP LINK PIN
17	6310206	LYNCH PIN
18	1771542	MAIN DRIVE GUARD
19	2770434	FLAT WASHER
20	2770396	BOLT
21	3870632	HOSE CLAMP
22	6310203	CAT. 2 TOP LINK PIN
23	3580656	RAM
	3570666HP	SEAL KIT
24	6310175	CAT. 1 TOP LINK
25	8777513	HANDLE
26	3570659	RAM BREATHER (NOT SHOWN)

Spearhead Trident 4000 & 5000

Drive Link Assembly - Main



Spearhead Trident 4000 & 5000

Drive Link Assembly - Main

REF. NO	PART NO.	DESCRIPTION
1	4770909	PULLEY
2	4770910	TAPER LOCK
3	4770829	PULLEY
4	4770895	TAPER LOCK
5	5770028	GEARBOX – CONSTANT
	5770032	GEARBOX – DISENGAGE
6	1777602	SHAFT COVER
7	4770843	MAIN DRIVE BELT X 6
8	5770047	THROUGH SHAFT
8A	1800090	BUSH 20MM
8B	1800091	BUSH 10MM
9	4772229	KEY
10	4772235	KEY
11	4770860EC	BEARING
12	2770436	FLAT WASHER
13	2770397	BOLT
14	2770417	NUT
15	2770442	SPRING WASHER
16	1771558	BELT TENSIONED PLATE
17	1771574	WING P.T.O. GUARD
18	2770396	BOLT
19	2770469	SPRING WASHER
20	2770434	FLAT WASHER
21	2770421	BOLT
22	5770106	CONE WITH WINDOW

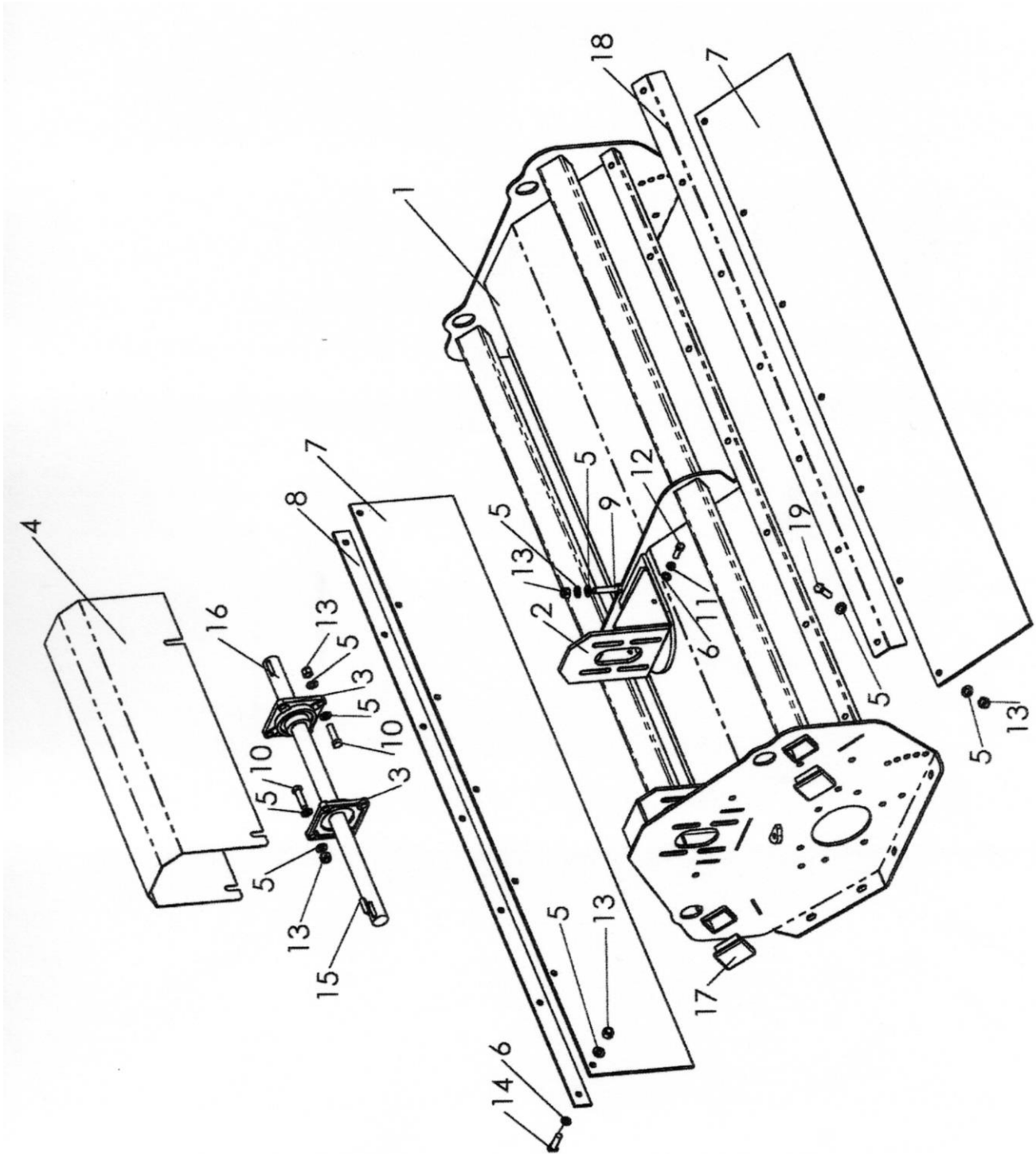
Spearhead Trident 4000 & 5000

Wing Arm Assembly

REF. NO	PART NO.	DESCRIPTION
	1771569	WING ARM - LH T4000
1	1771569R	WING ARM - RH T4000
	1771541	WING ARM - LH T5000
	1771541R	WING ARM - RH T5000
2	4600127A	FLANGE BUSH
3	1771554A	MOUNT CLAMP
4	1771552A	FLAIL MOUNTING CLAMP
5	1777483	PIN
6	1777760	PIN
7	2770442	SPRING WASHER
8	3580657	RAM
	3570664HP	SEAL KIT
9	1777208	RETAINING WASHER 65MM
10	2770506	BOLT
11	2770467	GREASE NIPPLE
12	2770436	FLAT WASHER
13	2770454	FLAT WASHER
14	2770456	SPRING WASHER
15	2770536	FULL NUT
16	2770393	BOLT
17	2770420	BOLT
18	2770425	BOLT
19	6310225	TRANSPORT STRAP
20	1771551	RATCHET PIVOT
21	3570659	RAM BREATHER (NOT SHOWN)

Spearhead Trident 4000 & 5000

Wing Body



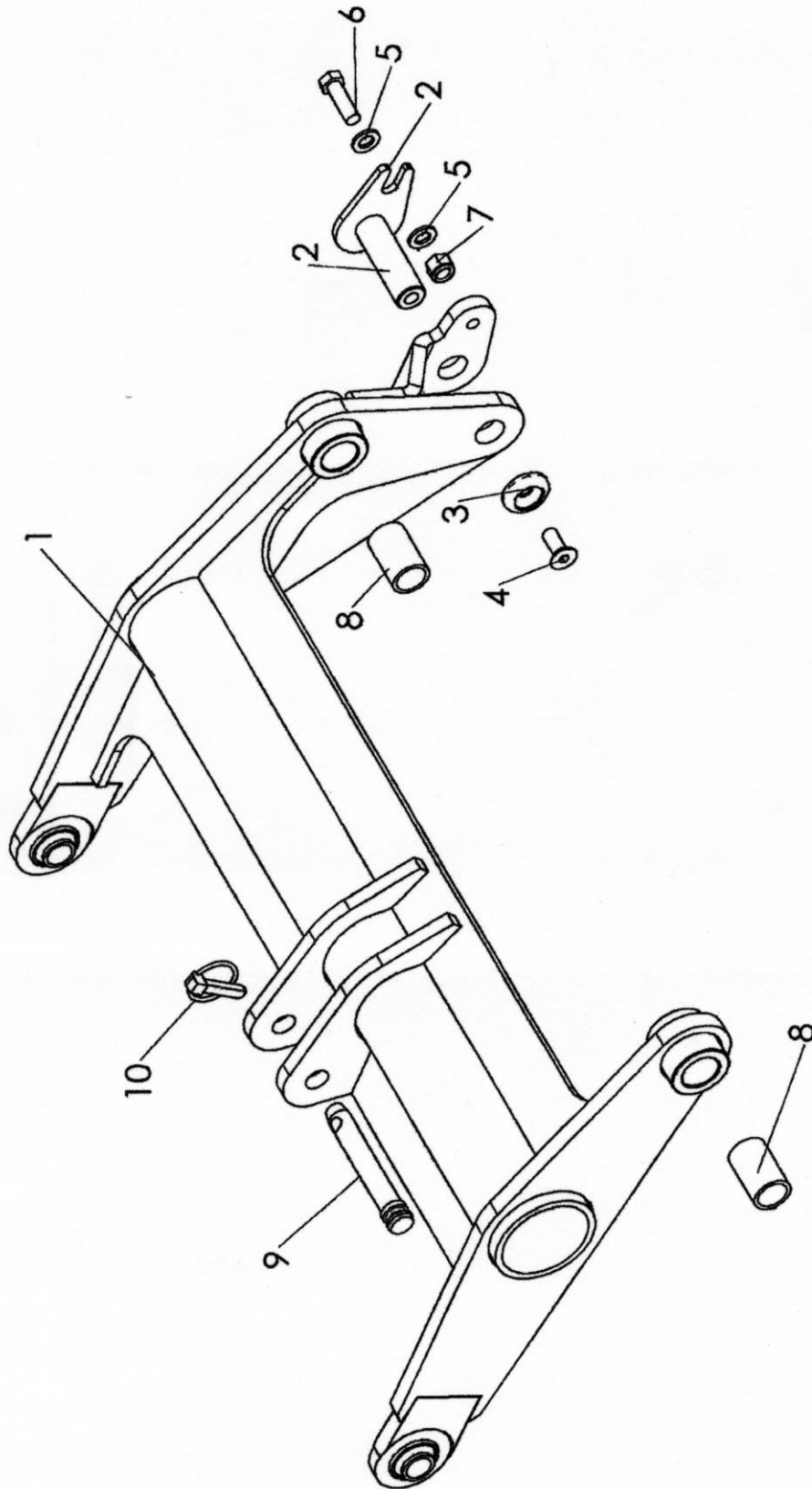
Spearhead Trident 4000 & 5000

Wing Body

REF. NO	PART NO.	DESCRIPTION
	1771591	WING BODY – LH – T4000
	1771591R	WING BODY – RH – T4000
1	1771538B	WING BODY – LH – T5000
	1771538BR	WING BODY – RH – T5000
2	1771546A	LAY SHAFT SUPPORT
3	4770860EC	BEARING
4	1771570	SHAFT GUARD – T4000
	1771537	SHAFT GUARD – T5000
5	2770436	FLAT WASHER
6	2770434	FLAT WASHER
7	8550130	1.5M RUBBER FLAP
	8400205	1.8M RUBBER FLAP
8	1771534	1.5M RETAINING STRIP
	1771531	1.8M RETAINING STRIP
9	2770450	BOLT
10	2770397	BOLT
11	2770469	SPRING WASHER
12	2770421	BOLT
13	2770417	NUT
14	2770458	BOLT
15	4772229	KEY
16	1771571	WING LAY SHAFT - T4000
	1771543	WING LAY SHAFT – T5000
17	8777516	END CAP
18	1771508	RETAINING STRIP – T4000
	1771575	RETAINING STRIP – T5000
19	2770443	BOLT

Spearhead Trident 4000 & 5000

Rear Linkage Assembly



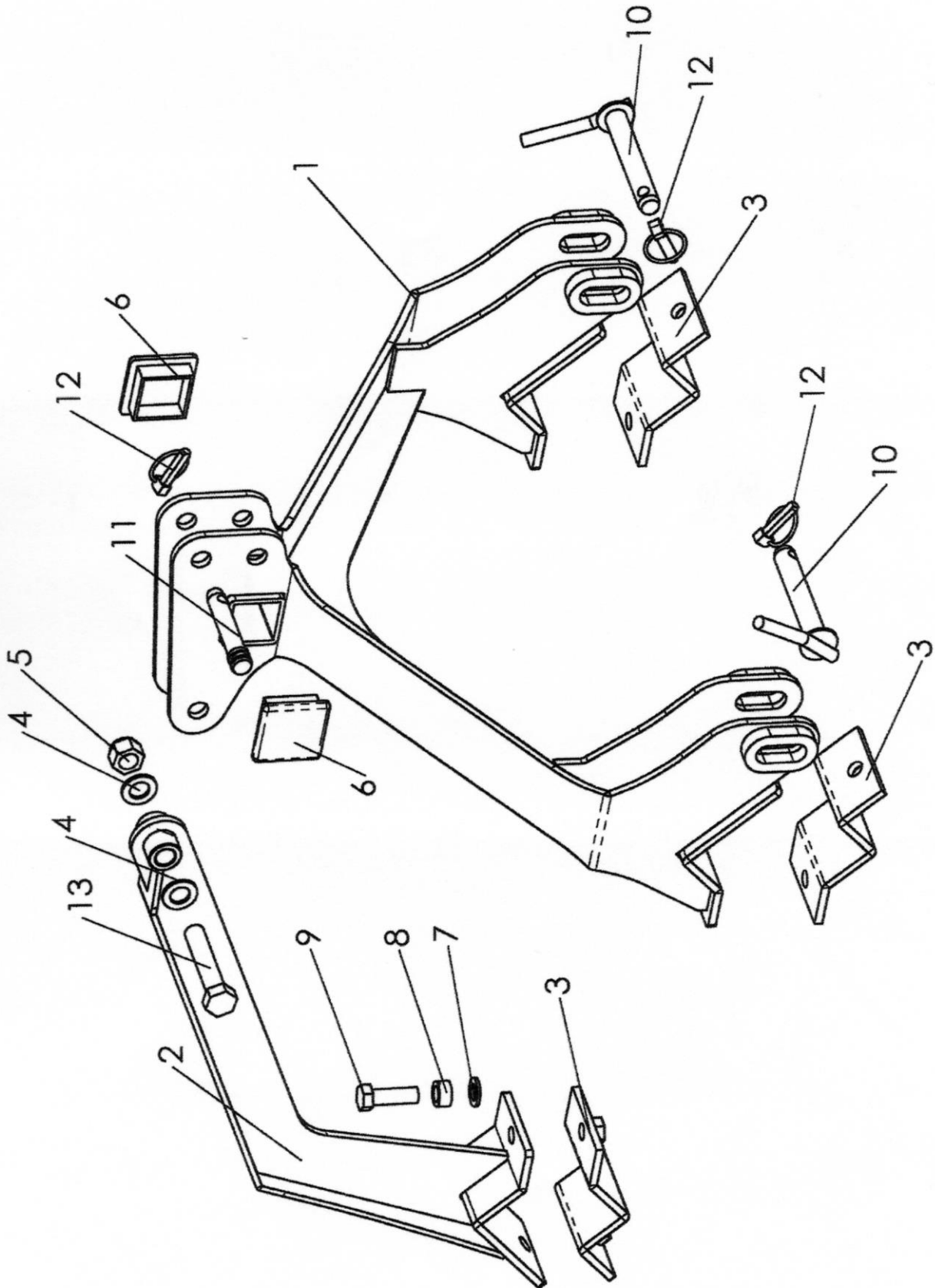
Spearhead Trident 4000 & 5000

Rear Linkage Assembly

REF. NO	PART NO.	DESCRIPTION
1	1771544	REAR LINKAGE
2	1778036	PIN
3	1777209	RETAINING WASHER
4	2770506	BOLT
5	2770436	FLAT WASHER
6	2770443	BOLT
7	2770417	NUT
8	4600124	PLAIN BUSH
9	6310202A	CAT.1 TOP LINK PIN
10	6310206	LYNCH PIN

Spearhead Trident 4000 & 5000

Head Stock Assembly



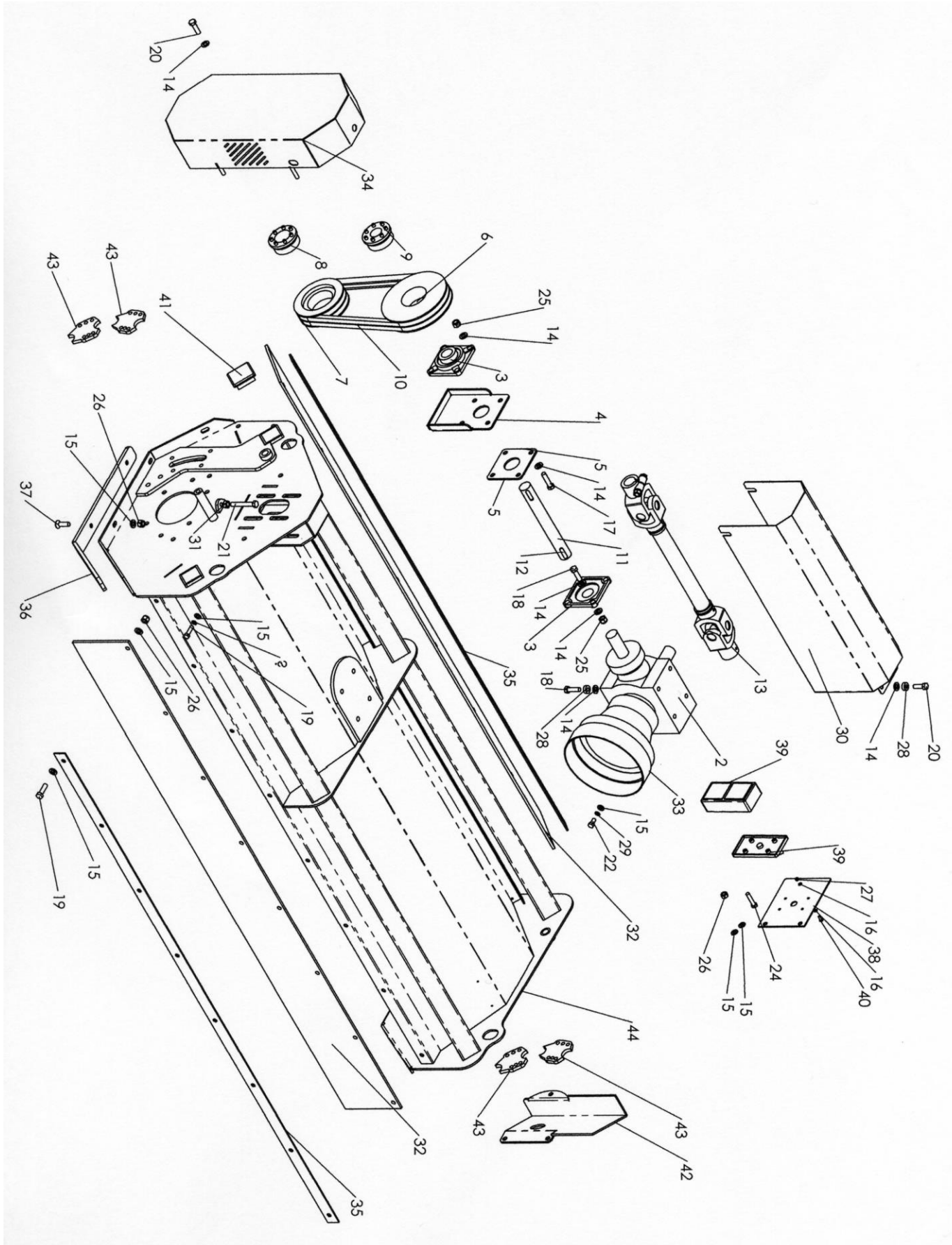
Spearhead Trident 4000 & 5000

Head Stock Assembly

REF. NO	PART NO.	DESCRIPTION
1	1771524A	HEADSTOCK
2	1771573	HEADSTOCK REAR LINK
3	1771503A	HEADSTOCK CLAMP
4	2770517	FLAT WASHER
5	2770409	NUT
6	8777516	END CAP
7	2770454	FLAT WASHER
8	2770456	SPRING WASHER
9	2770425	BOLT
10	6310229	LOWER LINK PIN
11	6310202A	TOP LINK PIN
12	6310206	PIN
13	2770549	BOLT

Spearhead Trident 4000 & 5000

Rear Mower Assembly



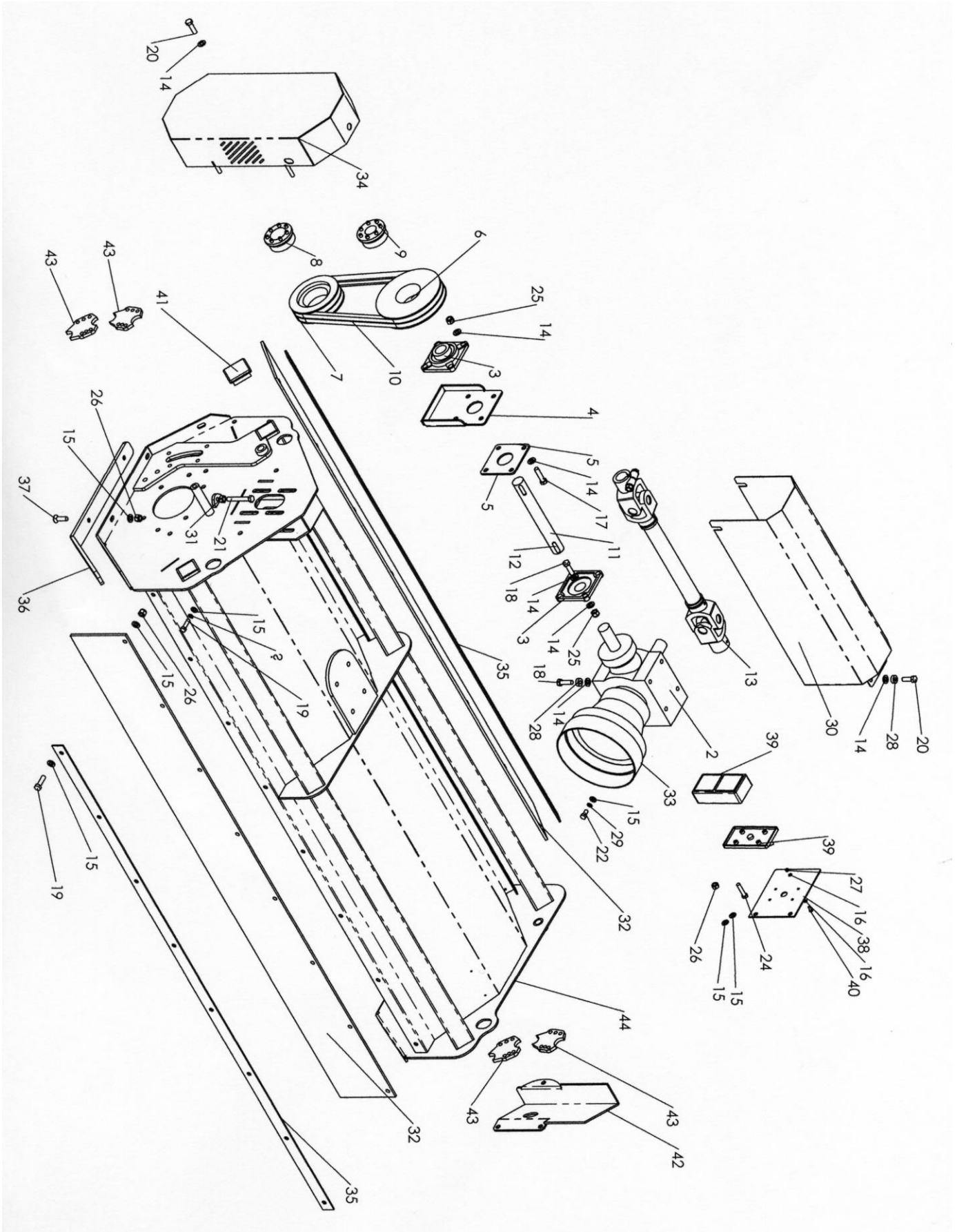
Spearhead Trident 4000 & 5000

Rear Mower Assembly

REF. NO	PART NO.	DESCRIPTION
1	1771538B	1.8M MAIN BODY
2	5770010	GEARBOX
3	4770860EC	BEARING
4	1771513	TENSIONED BRACKET
5	1771520	BACKING PLATE
6	4770926	PULLEY - 2 X 200MM
	4770972	PULLEY - 3 X 200MM
7	4770927	PULLEY - 2 X 150MM
	4770924	PULLEY - 3 X 150MM
8	4770922	CLAMPING ELEMENT
9	4770923	CLAMPING ELEMENT
10	4770870	DRIVE BELT ORIGINAL
	4770952	NEW DRIVE BELT (GATES)
11	1772211	LAY SHAFT
12	4772229	KEY
13	5770066	CROSS SHAFT
14	2770436	WASHER
15	2770434	WASHER
16	2770391	WASHER
17	2770419	BOLT
18	2770443	BOLT
19	2770396	SCREW
20	2770535	SCREW
21	2770393	BOLT
22	2770418	SCREW
23		
24	2772283	BOLT
25	2770417	NUT
26	2770412	NUT
27	2770394	NUT
28	2770442	WASHER
29	2770469	SPRING WASHER
30	1771511A	CROSS SHAFT GUARD
31	2770536	NUT
32	8400205	RUBBER FLAP 1.8M
33	5770107	GUARD
34	1771514C	BELT GUARD

Spearhead Trident 4000 & 5000

Rear Mower Assembly



Spearhead Trident 4000 & 5000

Rear Mower Assembly

REF. NO	PART NO.	DESCRIPTION
35	1771531	RETAINING STRIP 1.8M
36	1771530	SKID
37	2770509	SCREW
38	1777482	LIGHT BRACKET- TRIDENT
39	8770659	REAR LIGHT
	8770659A	LENS
40	2770243	BOLT
41	8777516	END CAP
42	1771509R	RAM GUARD RH
	1771509L	RAM GUARD LH
43	1778063	ADJ STOP PLATE

Spearhead Trident 4000 & 5000

Rotor Assembly & Roller Assembly

REF. NO	PART NO.	DESCRIPTION
1	SA00092	ROTOR ASSY 1.5M
	SA00102	ROTOR ASSY 1.8M
2	7770715	TWISTED FLAIL
3	1777310	BEARING HOUSING
4	1771529	BEARING HOUSING
5	4770891	BEARING
6	1777208	RETAINING WASHER
7	4771123	SEAL
8	1777312	END COVER
9	2770467	GREASE NIPPLE
10	1771526BR	ROLLER BRACKET RH
11	1771526B	ROLLER BRACKET LH
12	1777719	ROTOR SHIELD
13	3580664	RAM
	3580664W	SEAL KIT
14	040000D	CLAMP
	1800030	LH CLAMP (SCRAPER)
	1800031	RH CLAMP (SCRAPER)
	2770347	M12 X 80 BOLT
15	2772309	RAM PIN
16	2770344	NUT
17	1778062	BUSH
18	2772308	RAM PIN
19	SA02015	ROLLER - 1.5M
	SA02018	ROLLER - 1.8M
	SA02021	ROLLER - 2.1M
20	4771604	BEARING
21	1777314A	SHAFT
22	2770468	GREASE NIPPLE
23	1777231A	HUB COVER
24	2771610	CIRCLIP
25	2771108	CIRCLIP
26	2770506	SCREW
27	2770364	BOLT
28	2770574	LOCK NUT
29	2770436	WASHER
30	2770397	BOLT
31	2777519	CIRCLIP
32	-	SEE REF: 19
33	6770933	SCRAPER WIRE - 1.5M
	6770932	SCRAPER WIRE - 1.8M
34	2770259	CUP SQUARE BOLT

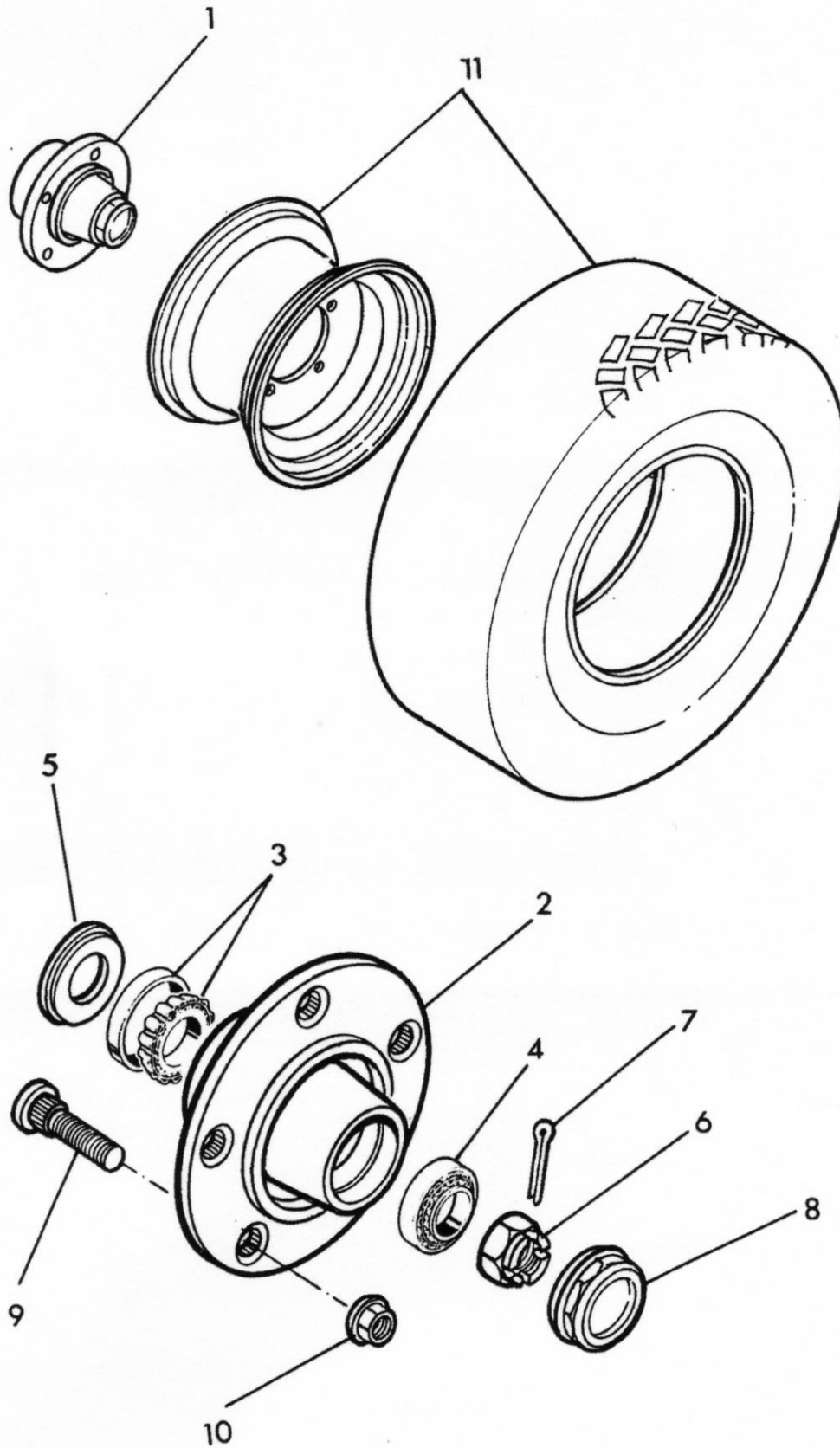
Note

Trident 4000 = 156 Blades

Trident 5000 = 180 Blades

Spearhead Trident 4000 & 5000

Wheel Assembly



Spearhead Trident 4000 & 5000

Wheel Assembly

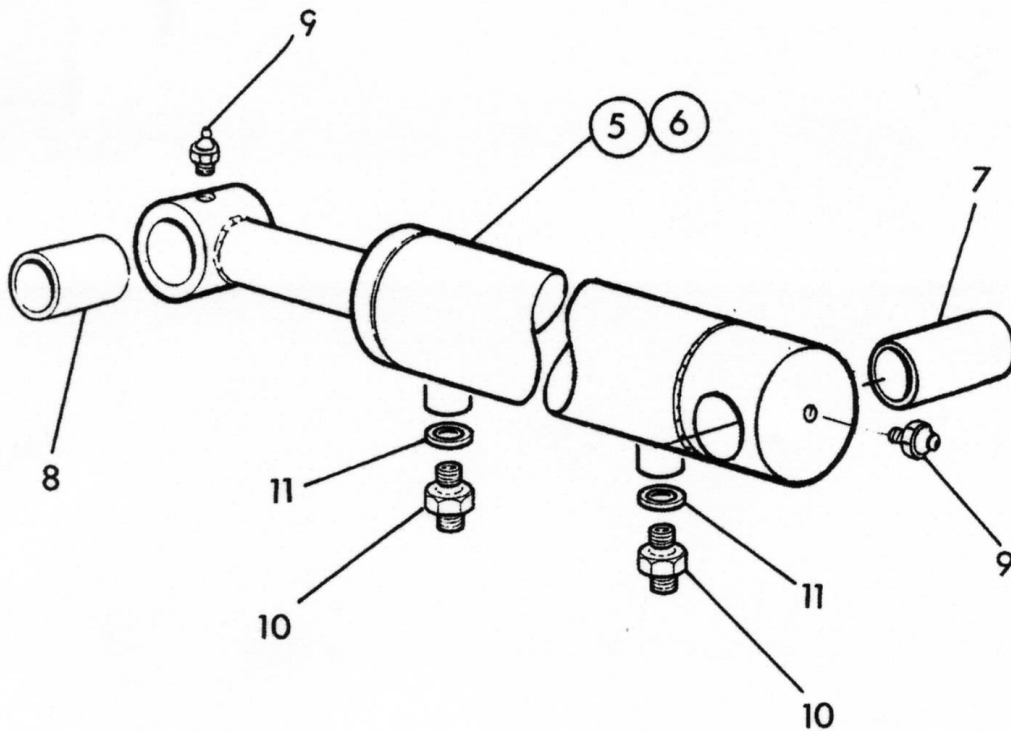
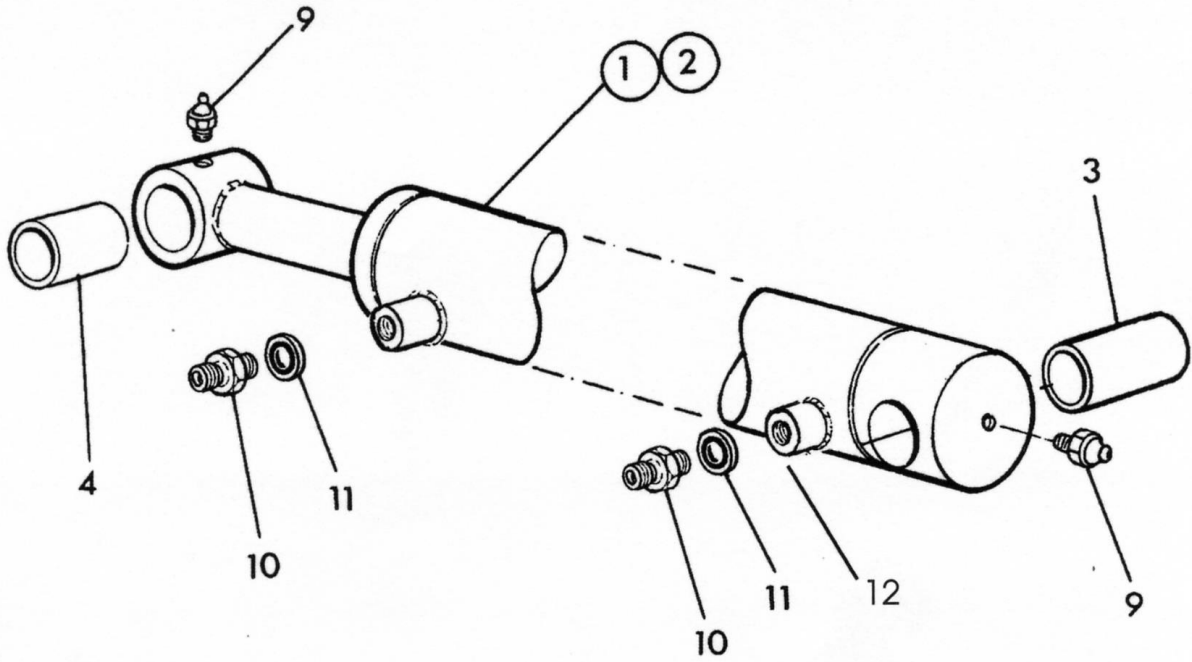
REF. NO	PART NO.	DESCRIPTION
1	6770582	HUB CW STUB AXLE
2	6770581	HUB
3	4770660	INNER BEARING
4	4770659	OUTER BEARING
5	4770661	SEAL
6	6770583	CASTLE NUT
7	6770584	SPLIT PIN
8	6770580	HUB CAP
9	6770579	STUD
10	6770578	WHEEL NUT
11	6550141B	COMPLETE WHEEL – TURF
	6550142B	COMPLETE WHEEL - ROAD

TYRE PRESSURES

- TURF TYRE FITTED (6550141B) – INFLATE TO **26 PSI**
- ROAD TYRE FITTED (6550142B) – INFLATE TO **23 PSI**

Spearhead Trident 4000 & 5000

Hydraulic Cylinder Assembly



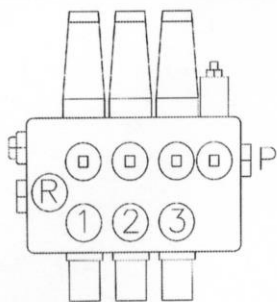
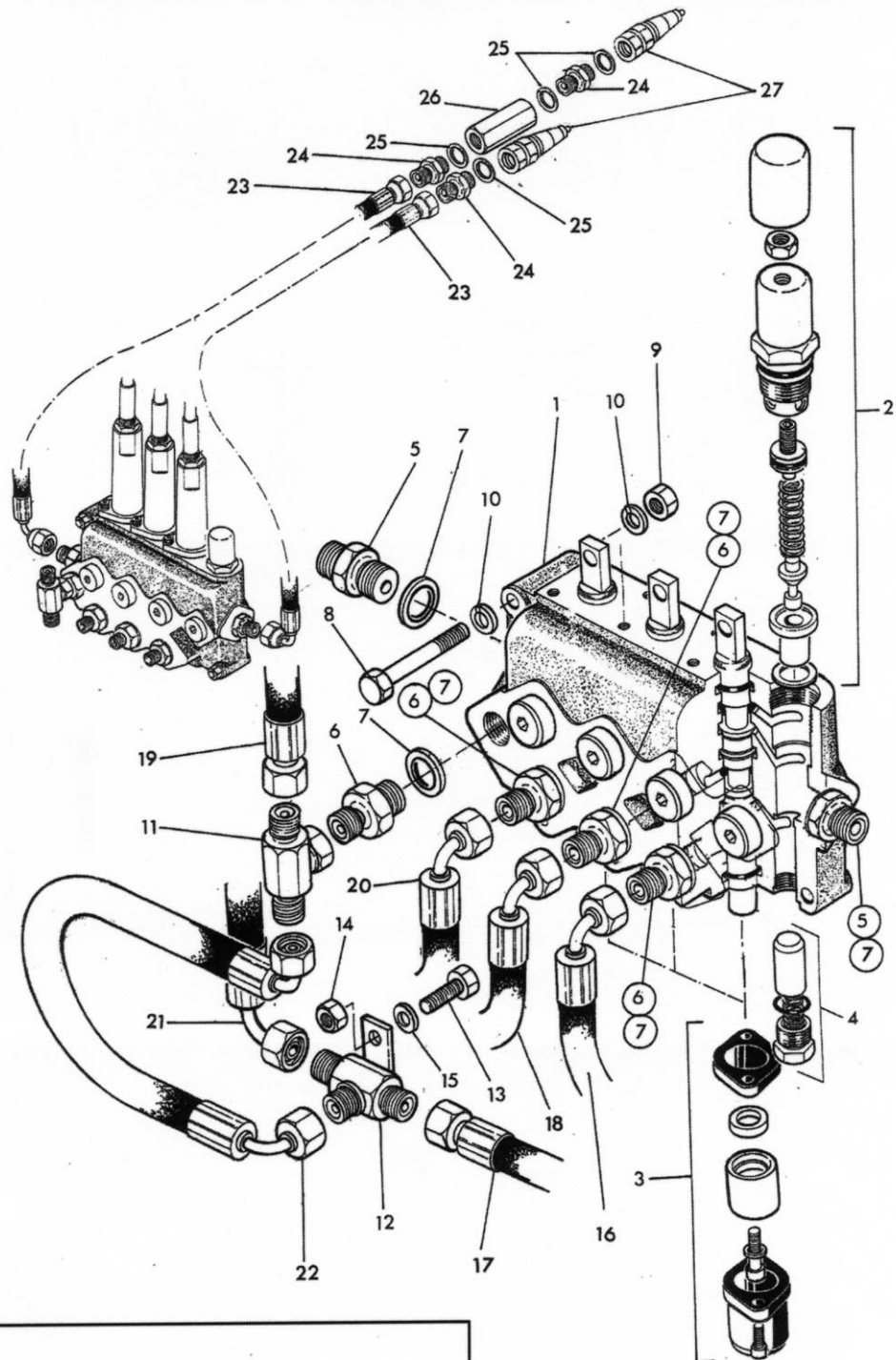
Spearhead Trident 4000 & 5000

Hydraulic Cylinder Assembly

REF. NO	PART NO.	DESCRIPTION
1	3580657	RAM – WING
2	3570664HP	SEAL KIT
3	4600414	BUSH
4	4600412	BUSH
5	3580656	RAM
6	3570666HP	SEAL KIT
7	4600400	BUSH
8	4600400	BUSH
9	2770468	GREASE NIPPLE
10	3360080	ADAPTOR
11	3260070	BONDED SEAL
12	3600118	VALVE
	3570659	BREATHER
	3600120	TAP

Spearhead Trident 4000 & 5000

Auxiliary Valve Assembly



- 1 Left hand wing
- 2 Rear mower
- 3 Right hand wing
- R Returns
- P Pressure

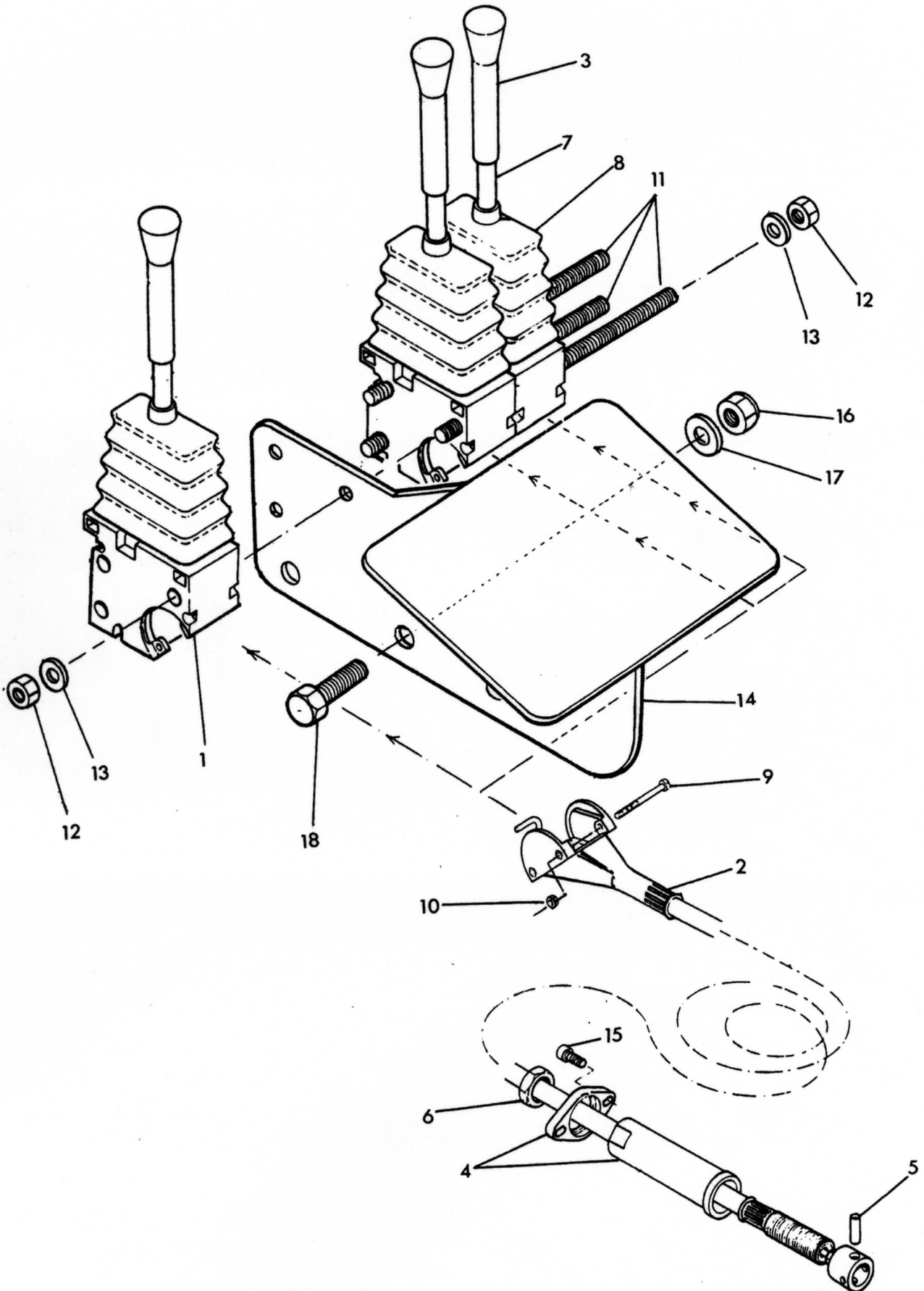
Spearhead Trident 4000 & 5000

Auxiliary Valve Assembly

REF. NO	PART NO.	DESCRIPTION
1	3600097	SPOOL BLOCK
	3600097/1	SPOOL
2	3600093	RELIEF VALVE CARTRIDGE
3	3610014	SPRING KIT
4	3610002	VALVE KIT
5	3360086	ADAPTOR
6	3360098	RESTRICTOR
7	3260071	SEAL
8	2770430	BOLT
9	2770412	NUT
10	2770442	SPRING WASHER
11	3460101	"T" ADAPTOR
12	1800084	ADAPTOR
13	2770415	BOLT
14	2770412	NUT
15	2770433	SPRING WASHER
16	3760344	HOSE
17	3760345	HOSE
18	3760339	HOSE
19	3760340	HOSE
20	3760342	HOSE
21	3760343	HOSE
22	3760338	HOSE
23	3760341	HOSE
	3760341A	HOSE
24	3360088	ADAPTOR
25	3260072	BONDED SEAL
26	3610039	NON RETURN VALVE
27	3750153	QUICK RELEASE COUPLING

Spearhead Trident 4000 & 5000

Control Lever Assembly



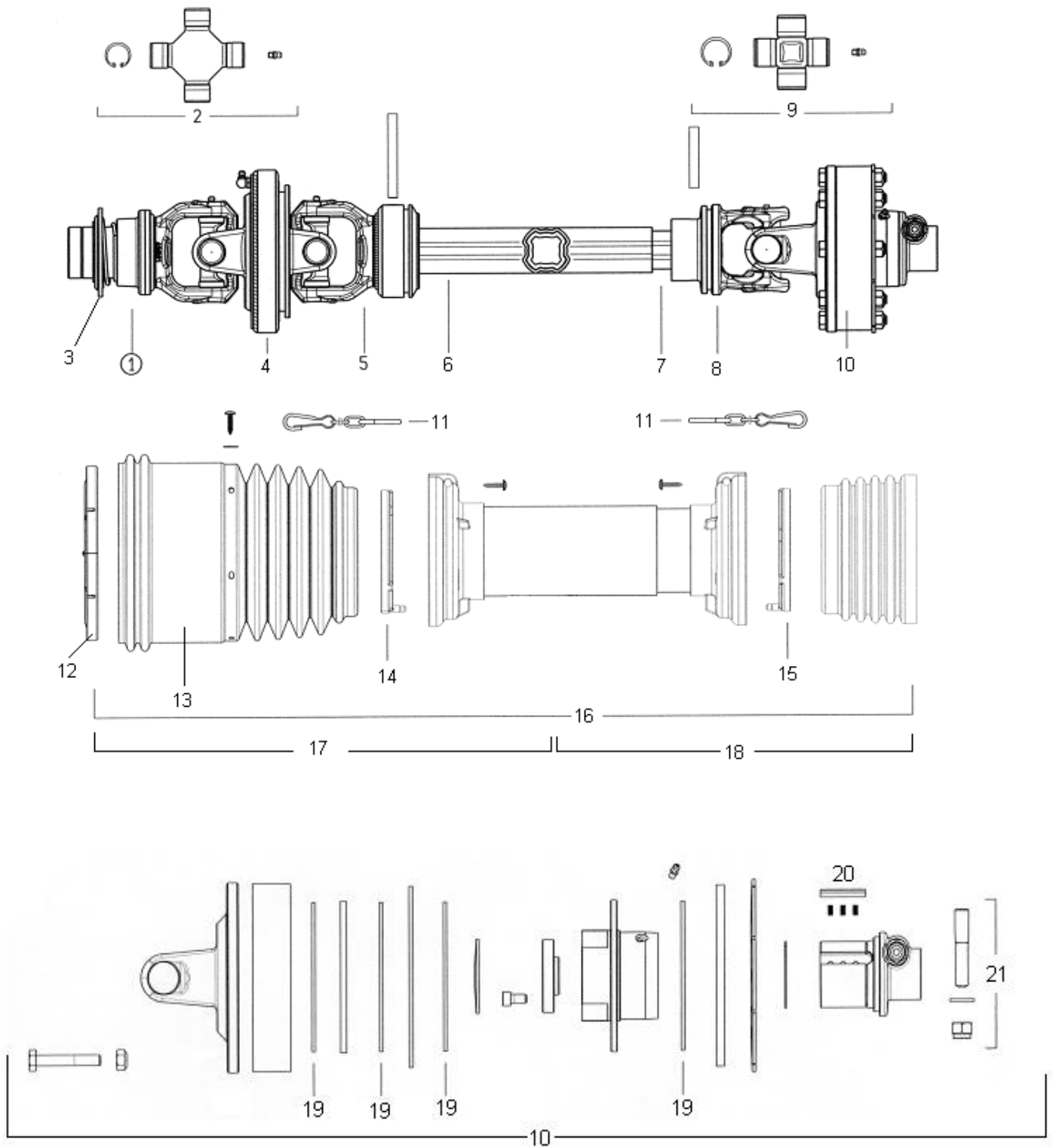
Spearhead Trident 4000 & 5000

Control Lever Assembly

REF. NO	PART NO.	DESCRIPTION
1	3910305	LEVER & CABLE ASSEMBLY - 4M
2	3910307	CABLE – 4M
3	3910314	BLACK COVER
4	3910319	CABLE SUPPORT – SPOOL VALVE
5	3910322	CABLE PIN
6	2770449	NUT
7	3910316	LEVER
8	3910315	RUBBER COVER
9	2770252	BOLT NUT
10	2770251	NYLOCK NUT
11	2770576	BOLT
12	2770373	NUT
13	2771408	WASHER
14	1777073	CONTROL BRACKET
15	1770243	CAP BOLT
16	2770417	NUT
17	2770436	WASHER
18	2770484	SET SCREW

Spearhead Trident 4000 & 5000

Input P.T.O 5790650



Note 2005 onwards

Please identify this shaft by star shaped telescopic tubes

Spearhead Trident 4000 & 5000

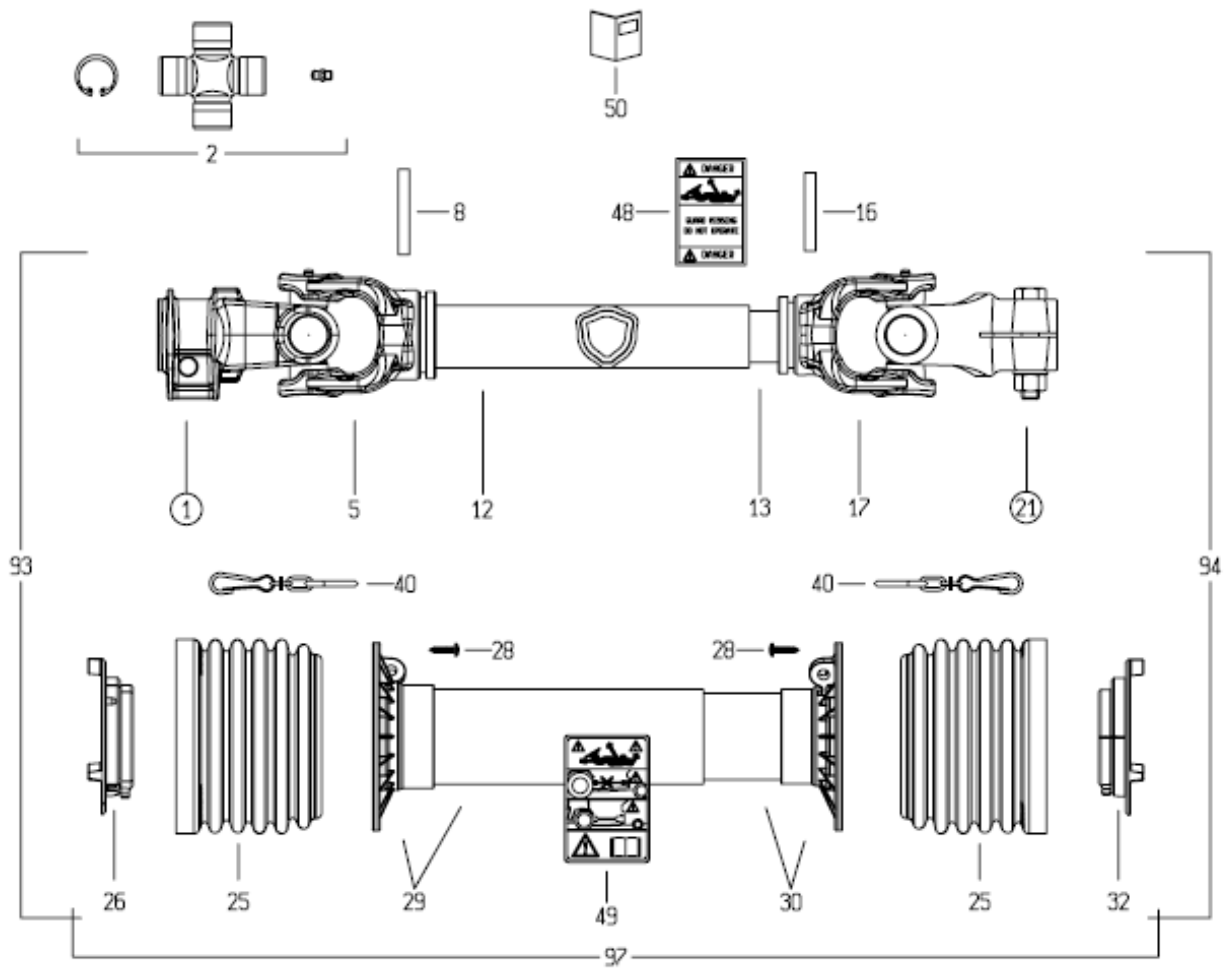
Input P.T.O 5790650

2005 Onwards

REF. NO	PART NO.	DESCRIPTION
	5790650	P.T.O ASSEMBLY
1	5790646/1	YOKE 6 SPLINE
2	5792146/2	CROSS JOURNAL
3	5771024A	RELEASE RING
4	5792146/4	CENTRE BODY
5	5792146/3	YOKE
6	5792146/5	EXTERNAL TUBE
7	5792146/6	INNER TUBE
8	5792146/7	YOKE
9	5792146/9	CROSS JOURNAL
10	5790650/1	OVERRUN CLUTCH ASSEMBLY
11	5792146/13	CHAIN
12	5792146/20	BEARING RING
13	5792146/10	GUARD
14	5792146/11	OUTER BEARING RING
15	5792146/12	INNER BEARING RING
16	5792146/19	COMPLETE GUARD
17	5792146/17	HALF GUARD
18	5792146/18	HALF GUARD
19	5781204	FRICTION DISK
20	5770127A	PAWL
21	5771322B	TAPER PIN

Spearhead Trident 4000 & 5000

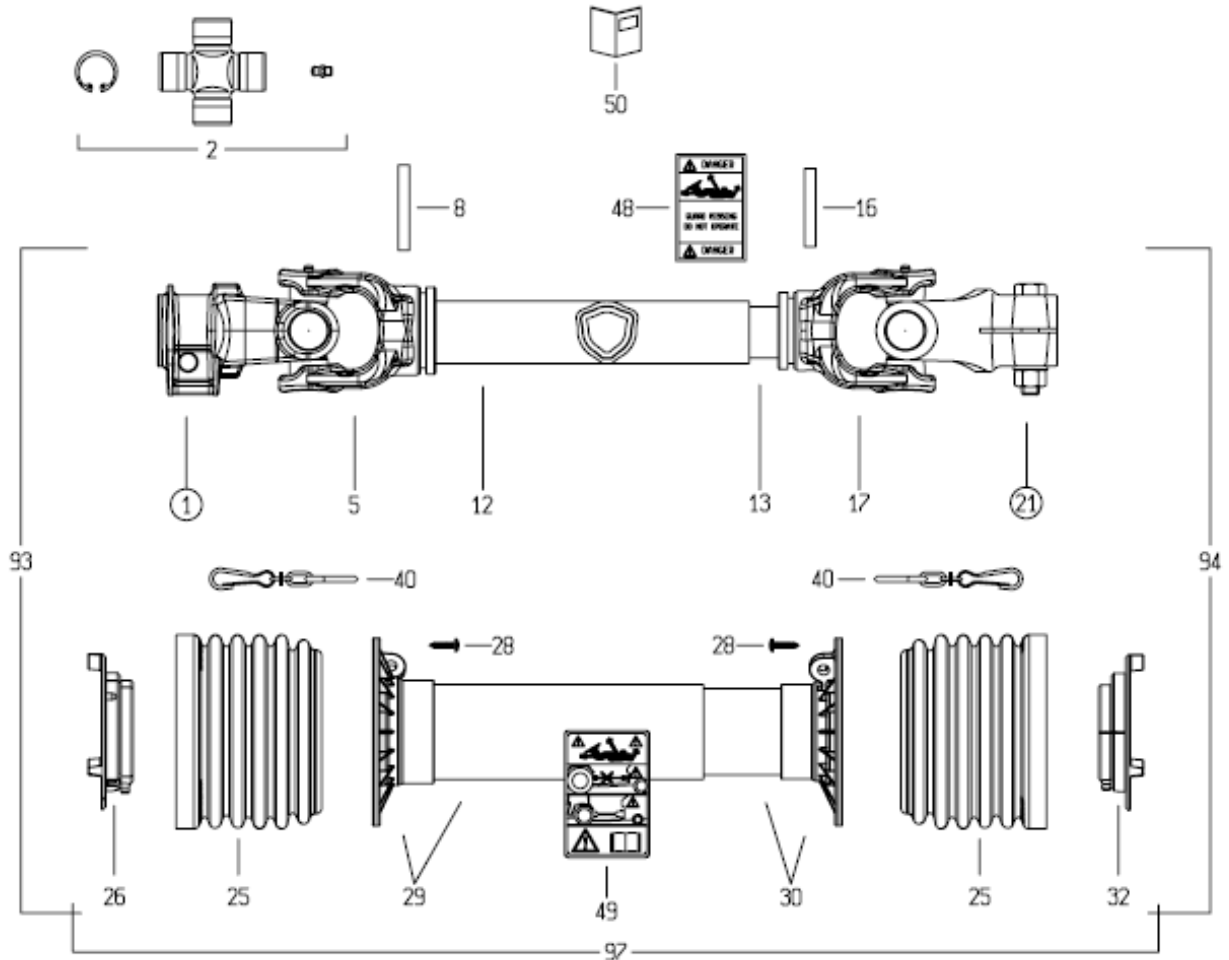
Wing P.T.O. Shaft 5770532



REF. NO	PART NO.	DESCRIPTION
	5770532	WING PTO SHAFT - TRIDENT
1	5770532.01	YOKE - GEARBOX END
2	5770532.02	CROSS JOURNAL
5	5770532.03	YOKE - IN-BOARD OUTER
8	5770532.04	PIN
12	5770532.05	TUBE - OUTER
13	5770532.06	TUBE - INNER
16	5770532.07	PIN
17	5770532.08	YOKE - IN-BOARD INNER
21	5770532.09	YOKE - C/W CLAMP BOLT
97	5770532.10	GUARD KIT - COMPLETE

Spearhead Trident 4000 & 5000

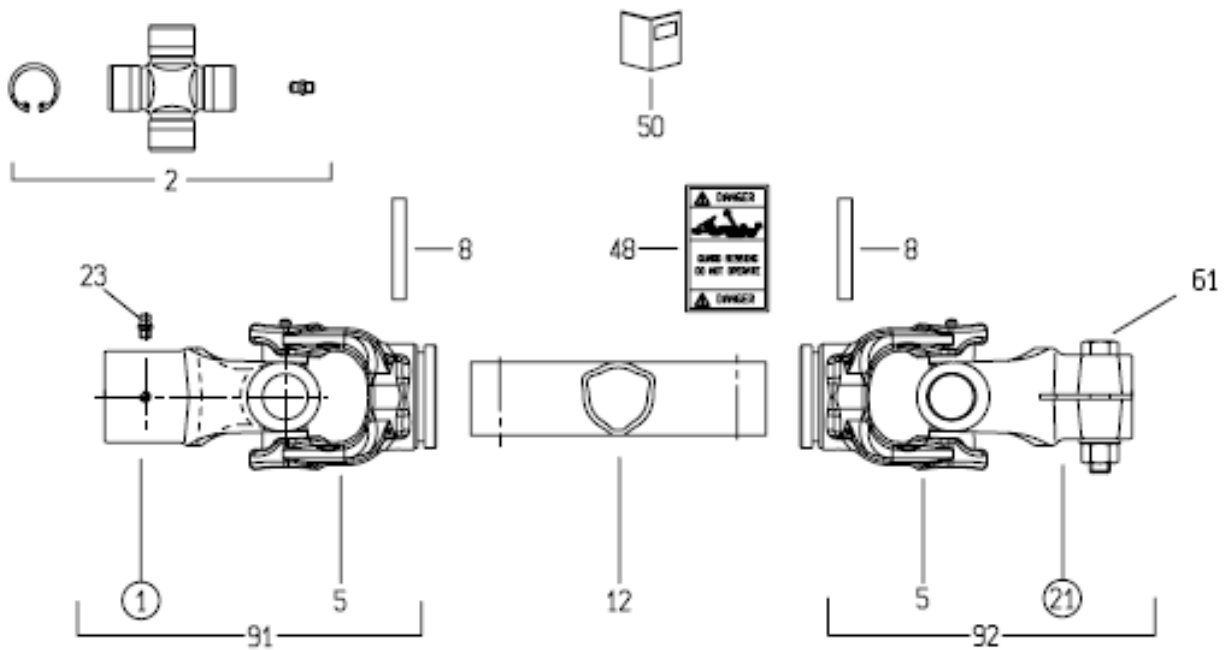
Rear P.T.O. Shaft 5770526



REF. NO	PART NO.	DESCRIPTION
	5770526	REAR PTO SHAFT - TRIDENT
1	5770526.01	YOKE - GEARBOX END
2	5770526.02	CROSS JOURNAL
5	5770526.03	YOKE - IN-BOARD OUTER
8	5770526.04	PIN
12	5770526.05	TUBE - OUTER
13	5770526.06	TUBE - INNER
16	5770526.07	PIN
17	5770526.08	YOKE - IN-BOARD INNER
21	5770526.09	YOKE - C/W CLAMP BOLT
97	5770526.10	GUARD KIT - COMPLETE

Spearhead Trident 4000 & 5000

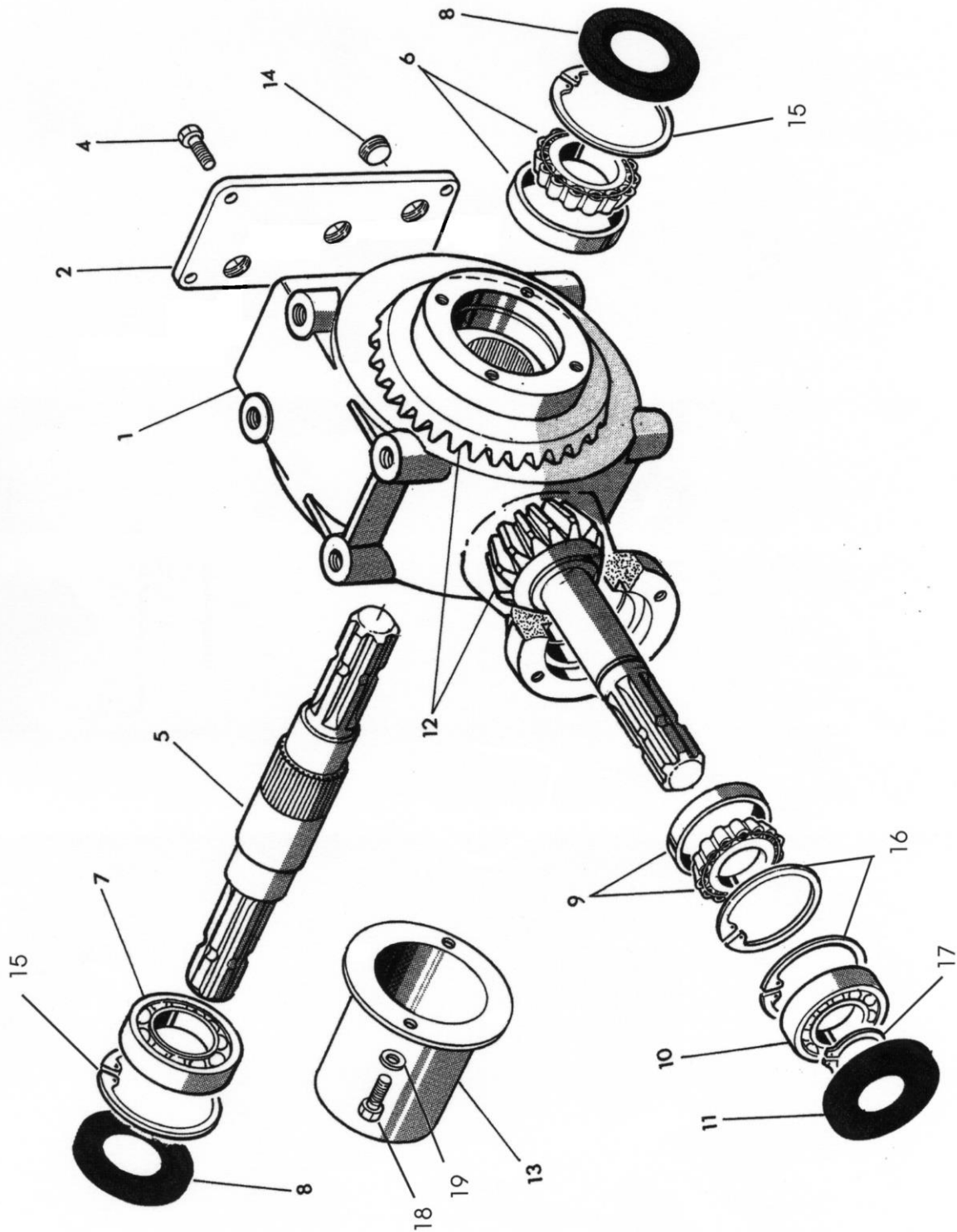
Cross Shaft Assembly Rear Body 5770529



REF NO.	PART NO.	DESCRIPTION.
	5770529	CROSS SHAFT - TRIDENT
1	5770529.01	YOKE - GEARBOX END
2	5770529.02	CROSS JOURNAL
5	5770529.03	YOKE - IN-BOARD OUTER
8	5770529.04	PIN
12	5770529.05	TUBE
21	5770529.06	YOKE - PULLEY END
23	5770529.07	GREASE NIPPLE
61	5770529.08	NUT AND BOLT

Spearhead Trident 4000 & 5000

Wing Gearbox Assembly-Non-disengage



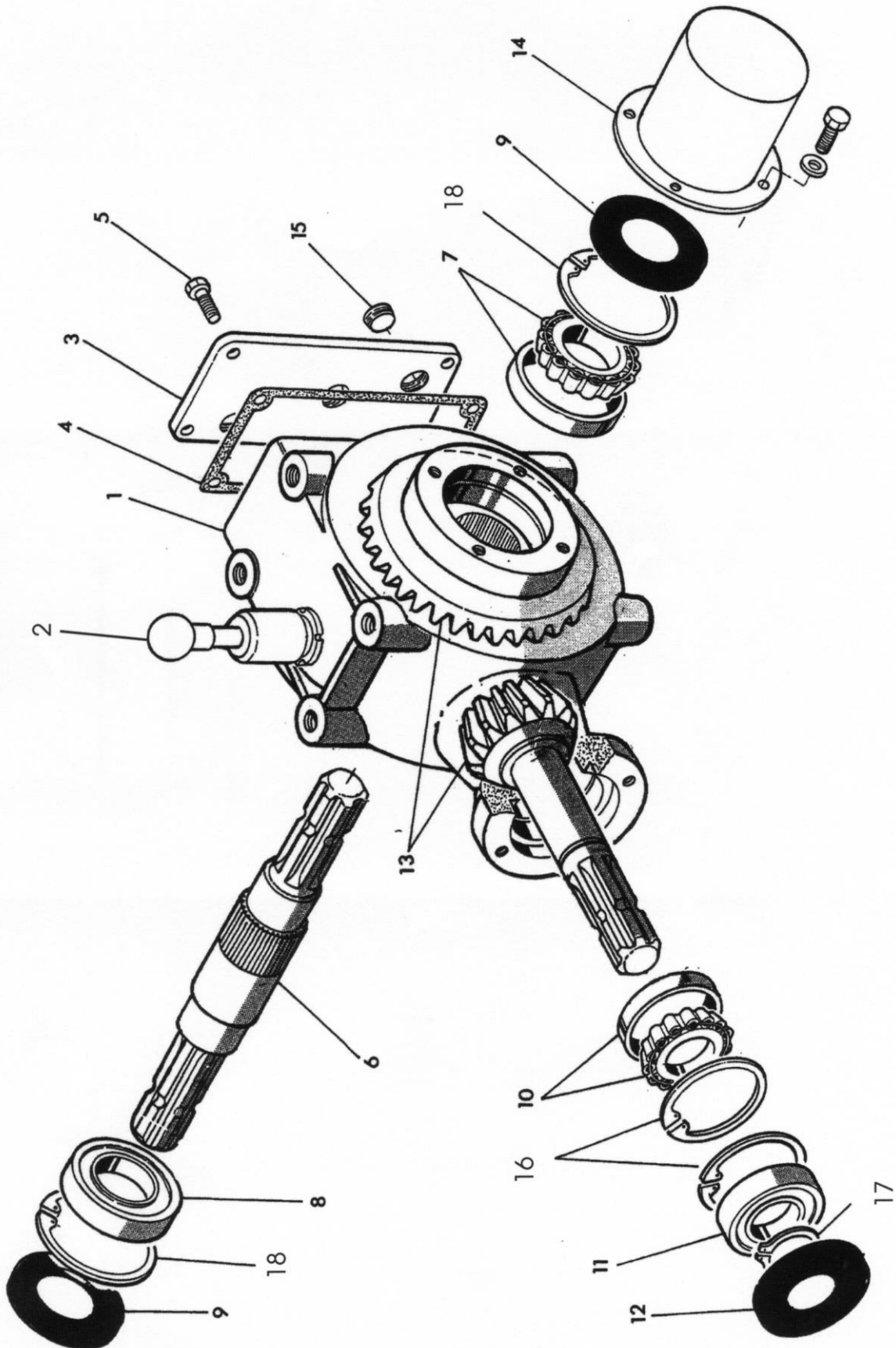
Spearhead Trident 4000 & 5000

Wing Gearbox Assembly-Non-disengage

REF. NO	PART NO.	DESCRIPTION
1	5770028	GEARBOX ASSEMBLY
2	5777201	COVER
3	N/A	-
4	2770402	COVER BOLT
5	5777202	SHAFT
6	4777205	BEARING
7	4771620	BEARING
8	4771506	OIL SEAL
9	4777201	BEARING
10	4771600	BEARING
11	4771124	OIL SEAL
12	5777209	GEARWHEEL & PINION
13	1777602	REAR SHAFT GUARD
14	5777208	PLUG
15	2771129	CIRCLIP
16	2771108	CIRCLIP
17	2771107	CIRCLIP
18	2770407	BOLT
19	2770434	WASHER

Spearhead Trident 4000 & 5000

Wing Gearbox Disengage



Spearhead Trident 4000 & 5000

Wing Gearbox Disengage

REF. NO	PART NO.	DESCRIPTION
1	5770032	GEARBOX MESH DISENGAGE ASSEMBLY
2	5772330	LEVER
3	5777201	COVER
4	N/A	-
5	2770402	COVER BOLT
6	5777202	SHAFT
7	4777205	BEARING
8	4771620	BEARING
9	4771506	OIL SEAL
10	4777201	BEARING
11	4771600	BEARING
12	4771124	OIL SEAL
13	577209A	GEAR WHEEL & PINION
14	1777602	REAR SHAFT GUARD
15	5777208	PLUG
16	2771108	CIRCLIP
17	5772299	CIRCLIP
18	2771129	CIRCLIP

Spearhead Trident 4000 & 5000

Decals



1



2



3



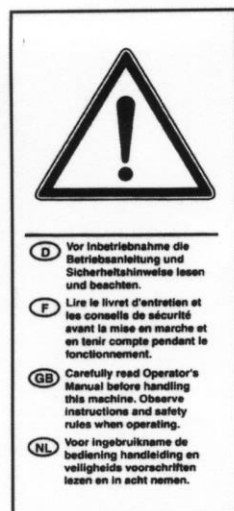
4



5



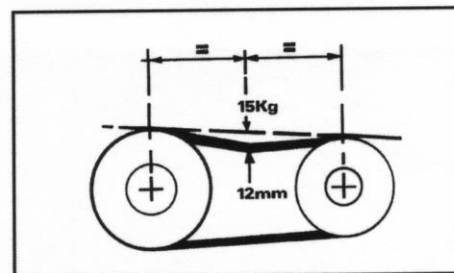
6



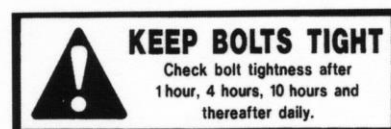
7



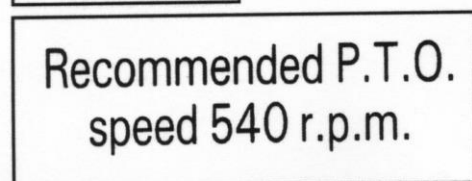
8



9



10



11



12



13

Spearhead Trident 4000 & 5000

Decals

REF. NO	PART NO.	DESCRIPTION
1	8770360	STICKER
2	8770355	STICKER
3	8770368	STICKER
4	8770357	STICKER
5	8770356	STICKER
6	8770358	STICKER
7	8770363	STICKER
8	8770340	STICKER
9	8770305	STICKER
10	8770306	STICKER
11	8770341	STICKER
12	8770322	STICKER
13	8770307	STICKER

Spearhead Trident 4000 & 5000

Spearhead Machinery Ltd
Green View
Station Road
Salford Priors
Evesham
Worcestershire
WR11 8SW

Tel: 01789 491860

Fax: 01789 778683

enquiries@spearheadmachinery.com

www.spearheadmachinery.com