

Spearhead

ORBITAL Reach Mower 606/686/726T/836T



Edition 4.3 – September 2014
Part No. 8999031

PARTS MANUAL

Spearhead ORBITAL

Contents

| | |
|-----------------------------------|----|
| Ordering Your Parts..... | 3 |
| Main Frame..... | 4 |
| Tank..... | 6 |
| Tank Cover..... | 8 |
| Oil Cooler..... | 10 |
| Slew Post..... | 12 |
| Lift frame..... | 14 |
| Stabiliser Brackets..... | 16 |
| Hydraulics..... | 18 |
| Wheel Carriage..... | 20 |
| Main Arm - 606/686/726T/836T..... | 22 |
| Dipper Arm - 606/686..... | 24 |
| Outer Dipper Arm - 726T/836T..... | 26 |
| Inner Dipper Arm - 726T/836T..... | 28 |
| Head Slew Bracket..... | 30 |
| Autopilot..... | 32 |
| Head Mount Bracket..... | 34 |
| Tie Bar..... | 36 |
| Slew Ram..... | 37 |
| Lift Ram..... | 38 |
| Dipper Ram..... | 39 |
| Head Ram..... | 40 |
| Telescopic Ram..... | 41 |
| Head Slew Ram..... | 42 |
| Wheel Carriage Ram..... | 43 |
| Head Angle Ram..... | 44 |
| Autopilot Damper..... | 45 |
| Head Shell..... | 46 |
| Belt Drive..... | 48 |

Spearhead ORBITAL

Contents Cont.

| | |
|-------------------------------------------|----|
| Fixed Front Hood..... | 50 |
| Adjustable Front Hood..... | 51 |
| Rear Roller..... | 52 |
| Hydraulic Rear Roller..... | 53 |
| Hydraulic Rear Roller Valve Assembly..... | 54 |
| Hydraulic Rear Roller Valve..... | 55 |
| Head Ram Shut-Off Tap..... | 56 |
| Head Motor..... | 57 |
| Head Bump Stop Bracket..... | 58 |
| Cab Guard..... | 59 |
| Gearbox..... | 60 |
| P.T.O. Shaft..... | 61 |
| Auto Reset Valve Assembly..... | 62 |
| Auto Reset Valve..... | 63 |
| Head Float Valve Assembly..... | 64 |
| Head Float Valve..... | 65 |
| Arm Float..... | 66 |
| Arm Float Valve..... | 67 |
| Axle Mount Sub-Frame..... | 68 |
| Tandem Piston Pump..... | 69 |
| Piston Motor..... | 70 |
| Hydraulic Control Valve Breakdown..... | 71 |
| Hydraulic Proportional Controls..... | 72 |
| Control Valve..... | 74 |
| Safety Decals..... | 76 |
| Base Decals..... | 78 |
| Head Decals..... | 80 |
| Rear Rubber Flap..... | 81 |
| Light Loom..... | 82 |
| Transport Link..... | 83 |
| Joystick..... | 84 |

Spearhead ORBITAL

Ordering Your Part's

When ordering parts please refer to your parts list to help your dealer with your order.

Part number and quantity

Description

Machine model number

Serial number of the machine

Delivery instructions (e.g. next day).

Delivery is normally via carrier direct to your dealer. Please check with your dealer for stock availability and arrangement of dispatch. Ensure you or your dealer has sufficient cover for parts requirement outside factory hours.

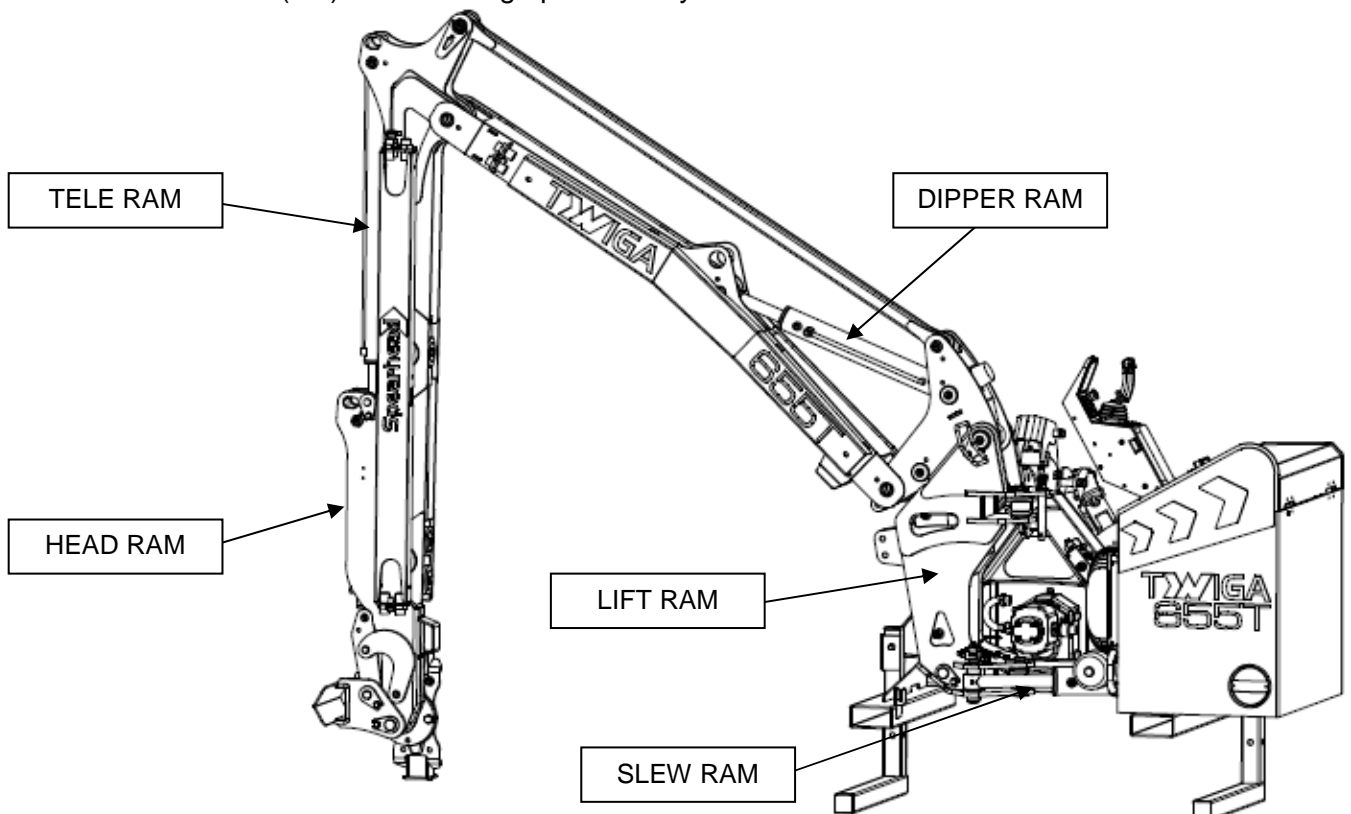
When ordering your seal kits please quote both codes stamped on the base of the cylinder.

Important Note

The information contained in this manual is correct at the time of publication. However, in the course of constant development, changes in specification are inevitable. Should you find the information given in this book different to the machine it relates to, please contact the "After Sales Department" for advice.

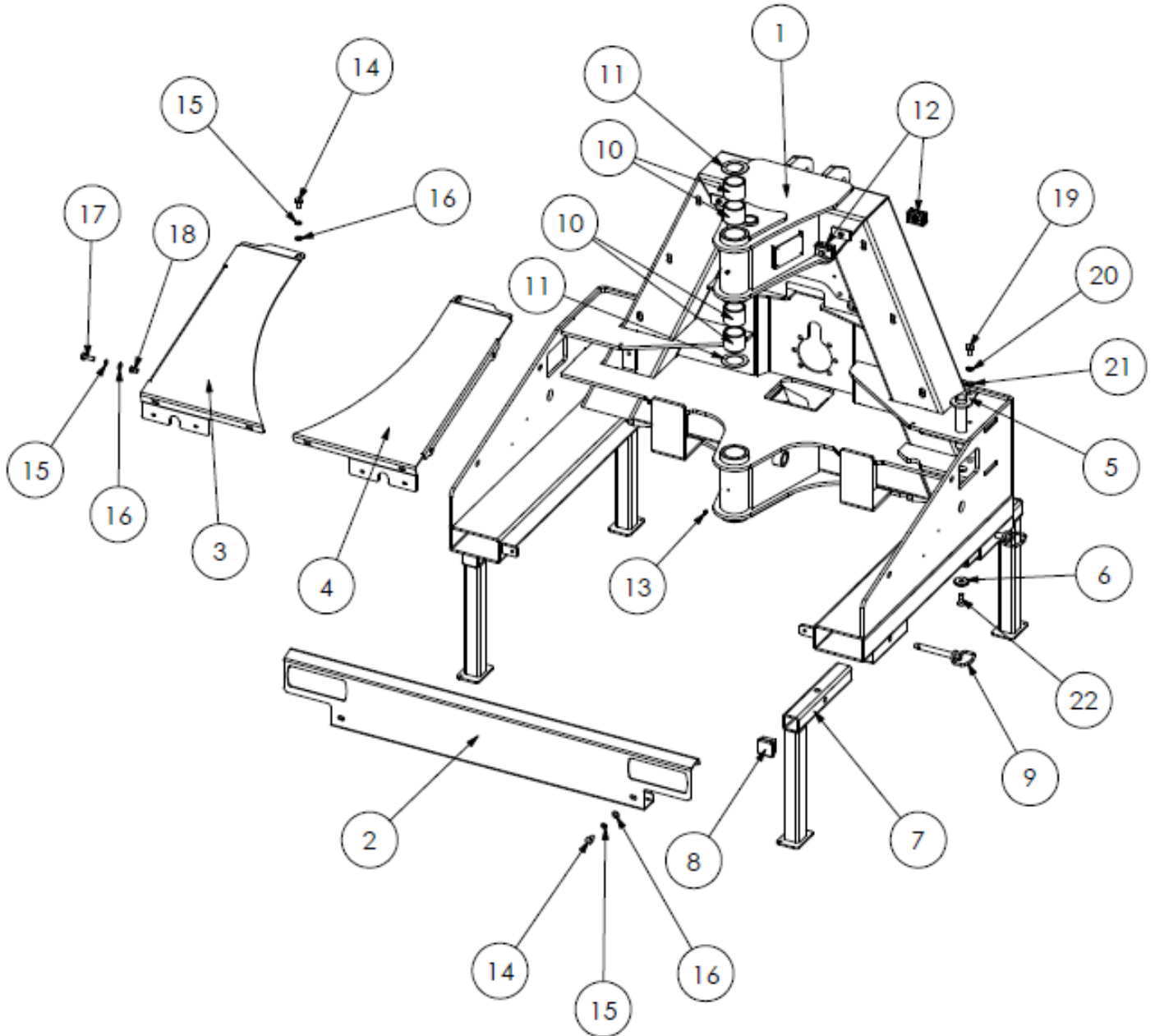
Key:

- (LH) = Left hand
- (RH) = Right hand
- (LP) = Low pressure hydraulics
- (HP) = High pressure hydraulics



Spearhead ORBITAL

MAIN FRAME - S180009.60



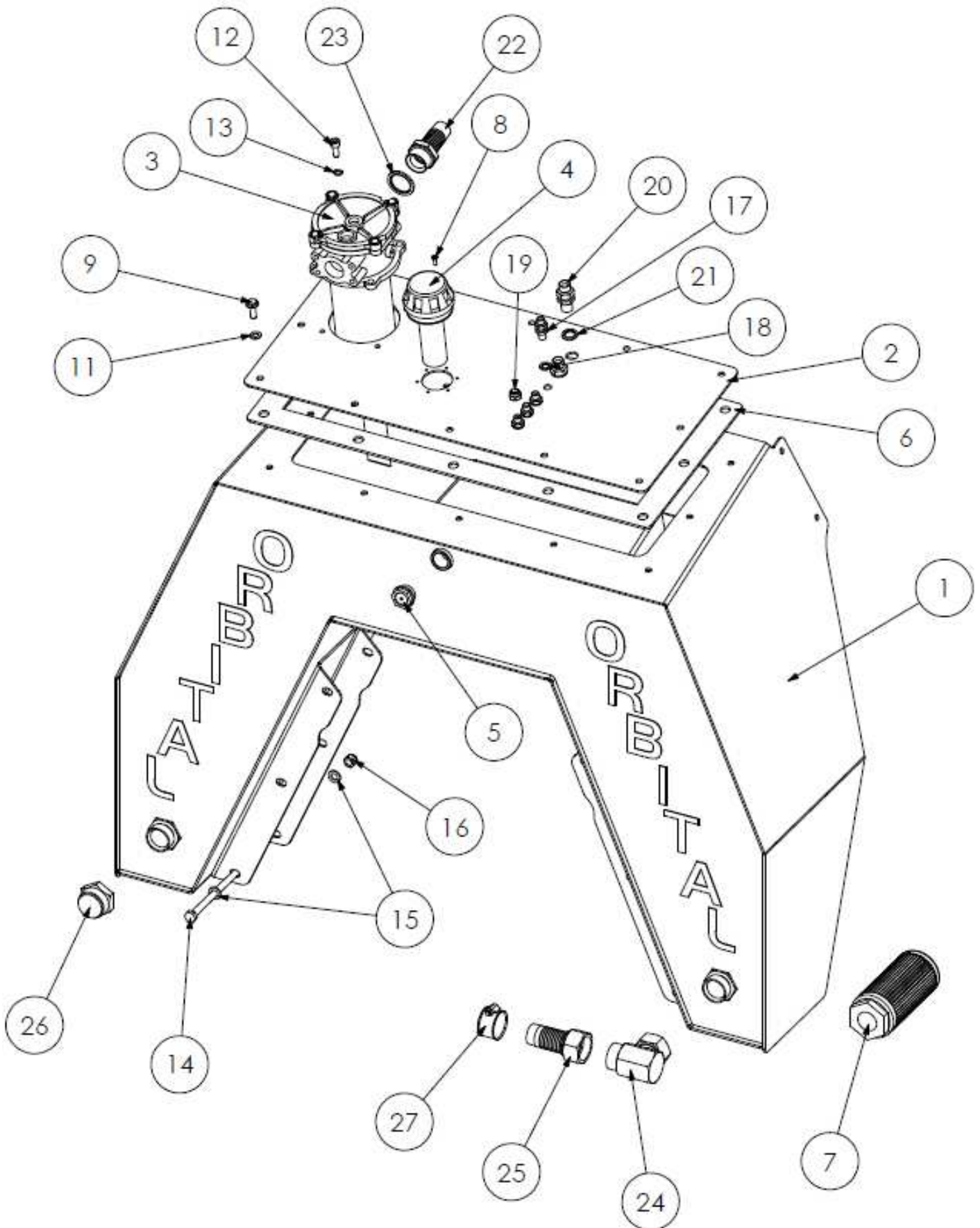
Spearhead ORBITAL

MAIN FRAME - S180009.60

| REF NO. | PART NO. | QTY. | DESCRIPTION |
|---------|------------|------|--------------------------|
| 1 | 181179 | 1 | MAIN FRAME |
| 2 | 181137 | 1 | LIGHT CHANNEL |
| 3 | 181138 | 1 | LH FRAME COVER |
| 4 | 181139 | 1 | RH FRAME COVER |
| 5 | 1777467 | 1 | PEAR PIN: 30 X 146 mm |
| 6 | 1777209 | 1 | RETAINING WASHER - 40 mm |
| 7 | 1777871ORB | 4 | LEG |
| 8 | 07.262.03 | 4 | PLASTIC CAP |
| 9 | 6310220 | 4 | CAT 0 PIN |
| 10 | 4600123 | 8 | BUSH |
| 11 | 4600137 | 4 | SHIM |
| 12 | 3870632 | 3 | 1/4" DOUBLE HOSE CLAMP |
| 13 | 2770467 | 3 | M6 ST GREASE NIPPLE |
| 14 | 2770418 | 4 | M10 X 20 BOLT |
| 15 | 2770469 | 12 | M10 SPRING WASHER |
| 16 | 2770434 | 12 | M10 FLAT WASHER |
| 17 | 2770421 | 8 | M10 X 30 BOLT |
| 18 | 2770202 | 8 | M10 RIVNUT |
| 19 | 05.264.21 | 1 | M12 X 20 BOLT |
| 20 | 2770442 | 1 | M12 SPRING WASHER |
| 21 | 2770436 | 1 | M12 FLAT WASHER |
| 22 | 2770506 | 2 | M12 X 30 SKT CSK SCREW |

Spearhead ORBITAL

TANK - S180009.64



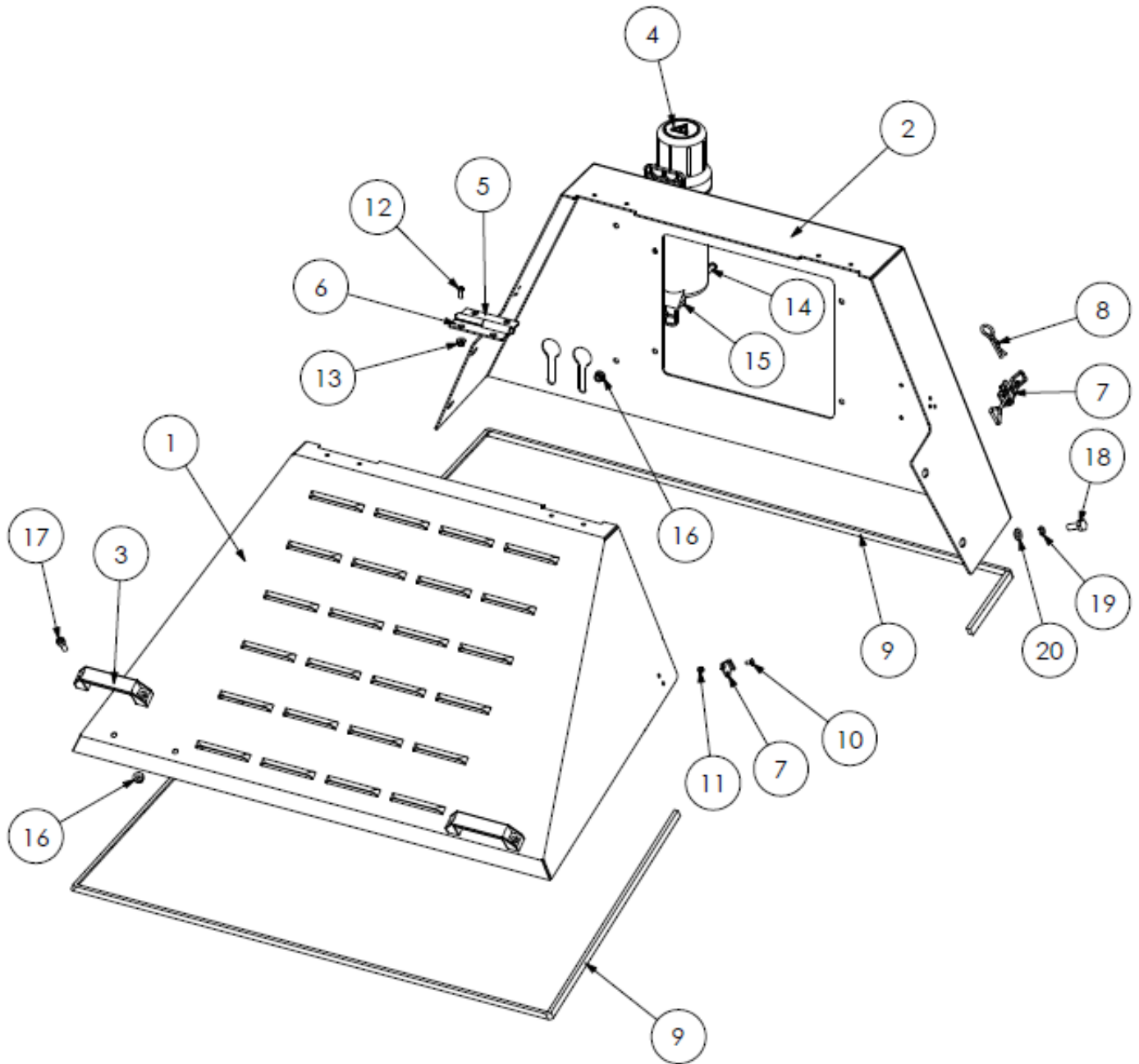
Spearhead ORBITAL

TANK - S180009.64

| REF NO. | PART NO. | QTY. | DESCRIPTION |
|---------|-----------|------|------------------------|
| 1 | 1777683B | 1 | TANK |
| 2 | 1777452B | 1 | TANK COVER PLATE |
| 3 | 3900051 | 1 | FILTER |
| - | 3900060 | 1 | REPLACEMENT ELEMENT |
| 4 | 06.966.02 | 1 | FILLER |
| 5 | 3900063 | 1 | OIL LEVEL GAUGE |
| 6 | 5771631 | 1 | GASKET |
| 7 | 8401047 | 1 | SECTION ELEMENT |
| 8 | 2770580 | 6 | M5 X 16 PAN HEAD SCREW |
| 9 | 2770670 | 12 | M10 X 30 FLANGE BOLT |
| 11 | 2770353 | 12 | M10 FIBRE WASHER |
| 12 | 2770556 | 4 | M10 X 25 SKT CAP SCREW |
| 13 | 2770469 | 4 | M10 SPRING WASHER |
| 14 | 05.292.30 | 6 | M12 X 200 BOLT |
| 15 | 2770436 | 12 | M12 FLAT WASHER |
| 16 | 2770417 | 6 | M12 NYLOCK |
| 17 | 3460122 | 4 | 1/4" BULKHEAD |
| 18 | 3260070 | 8 | 1/4" BONDED SEAL |
| 19 | 3460104 | 2 | 1/4" BLANKING CAP |
| 20 | 3700187 | 2 | 1/2" BULKHEAD |
| 21 | 3260072 | 4 | 1/2" BONDED SEAL |
| 22 | 3761002 | 1 | 1 1/4" ST HOSE TAIL |
| 23 | 3260075 | 1 | 1 1/4" BONDED SEAL |
| 24 | 05.835.10 | 1 | 1 1/2" COMPACT 90 |
| 25 | 3761005 | 1 | 1 1/2" HOSE TAIL |
| 26 | 3700233 | 1 | 1 1/2" BLANKING CAP |
| 27 | 3700257 | 1 | HOSE CLAMP |

Spearhead ORBITAL

TANK COVER - S180009.65



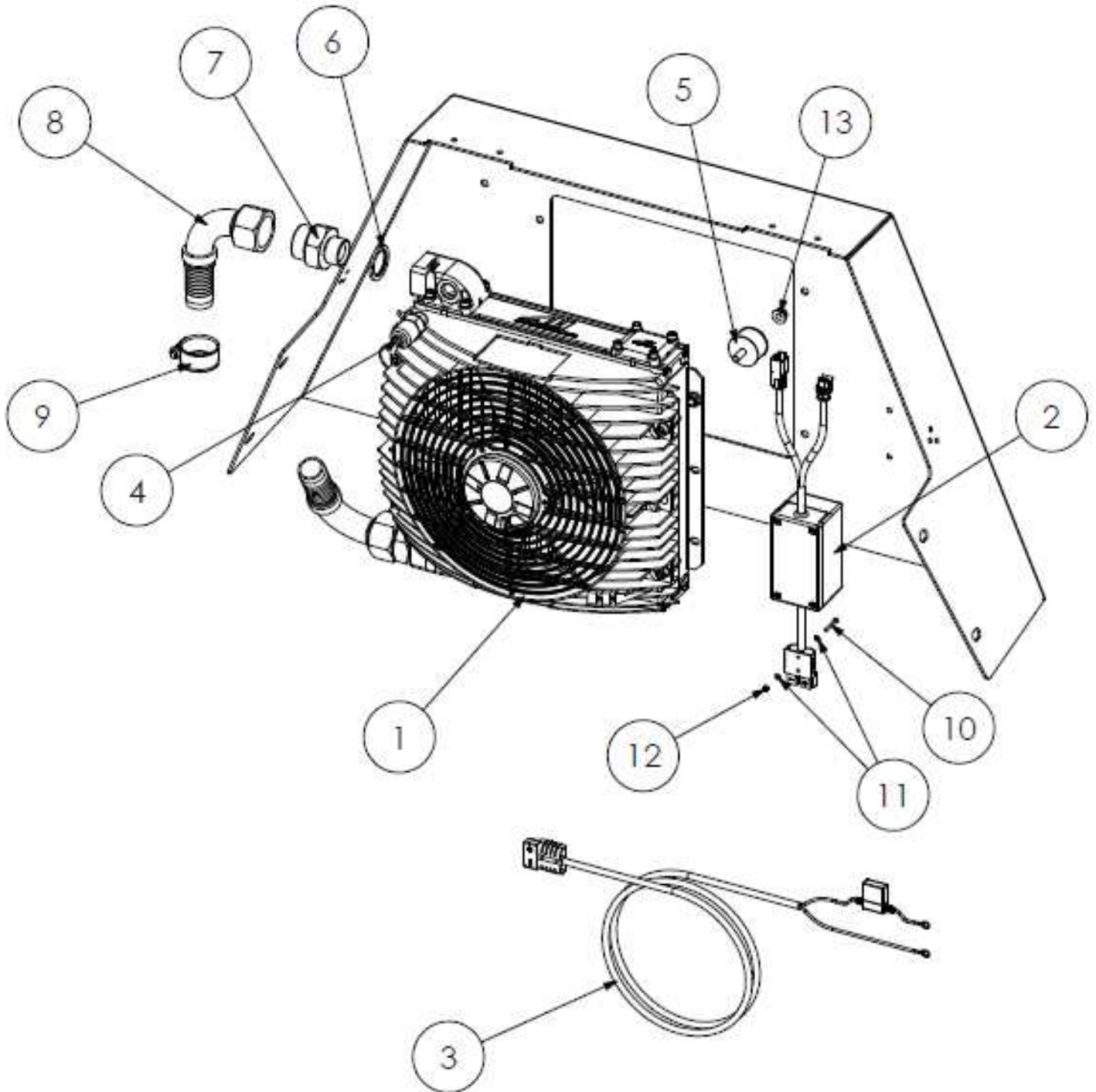
Spearhead ORBITAL

TANK COVER - S180009.65

| REF NO. | PART NO. | QTY. | DESCRIPTION |
|---------|-----------|------|--------------------------|
| 1 | 1777642 | 1 | LID |
| 2 | 1777643 | 1 | LID MOUNT BRACKET |
| 3 | 8777513 | 2 | HANDLE |
| 4 | 46505.01 | 1 | DOCUMENTS HOLDER |
| 5 | 46065.01 | 1 | LH HINGE |
| 6 | 46065.02 | 1 | RH HINGE |
| 7 | 8550142 | 2 | TANK CLASP |
| 8 | 6310194 | 2 | R CLIP |
| 9 | 03.231.01 | 3350 | EDGING STRIP |
| 10 | 9353022 | 8 | M5 X 12 SKT CSK SCREW |
| 11 | 2770394 | 8 | M5 NYLOCK NUT |
| 12 | 05.625.13 | 8 | M6 X 16 SKT CAP SCREW |
| 13 | 2770664 | 8 | M6 FLANGED NYLOCK |
| 14 | 2770368 | 2 | M8 X 30 SKT BUTTON SCREW |
| 15 | 2770244 | 2 | M8 REPAIR WASHER |
| 16 | 05.287.20 | 6 | M8 FLANGED NYLOCK |
| 17 | 2770612 | 2 | M8 X 25 SKT CAP SCREW |
| 18 | 2770407 | 4 | M10 X 25 BOLT |
| 19 | 2770469 | 4 | M10 SPRING WASHER |
| 20 | 2770434 | 4 | M10 FLAT WASHER |

Spearhead ORBITAL

OIL COOLER - S180009.66



Spearhead ORBITAL

OIL COOLER - 5180009.66

| REF NO. | PART NO. | QTY. | DESCRIPTION |
|---------|-----------|------|------------------------|
| 1 | 3151084 | 1 | OIL COOLER |
| 2 | 8770843 | 1 | OIL COOLER CONTROL BOX |
| 3 | 8770844 | 1 | OIL COOLER POWER LEAD |
| 4 | 47313.03 | 1 | THERMOSTAT |
| 5 | 8770603 | 4 | RUBBER MOUNT |
| 6 | 3260074 | 2 | 1" BONDED SEAL |
| 7 | 3360078 | 2 | 1 1/4" - 1" M-M |
| 8 | 3761004 | 2 | 1 1/4" 90 HOSE TAIL |
| 9 | 3700253 | 3 | HOSE CLAMP |
| 10 | 05.839.57 | 2 | M3 X 25 SKT CAP SCREW |
| 11 | 48227.03 | 4 | M3 FLAT WASHER |
| 12 | 2770233 | 4 | M3 FULL NUT |
| 13 | 05.287.20 | 6 | M8 FLANGED NYLOCK |

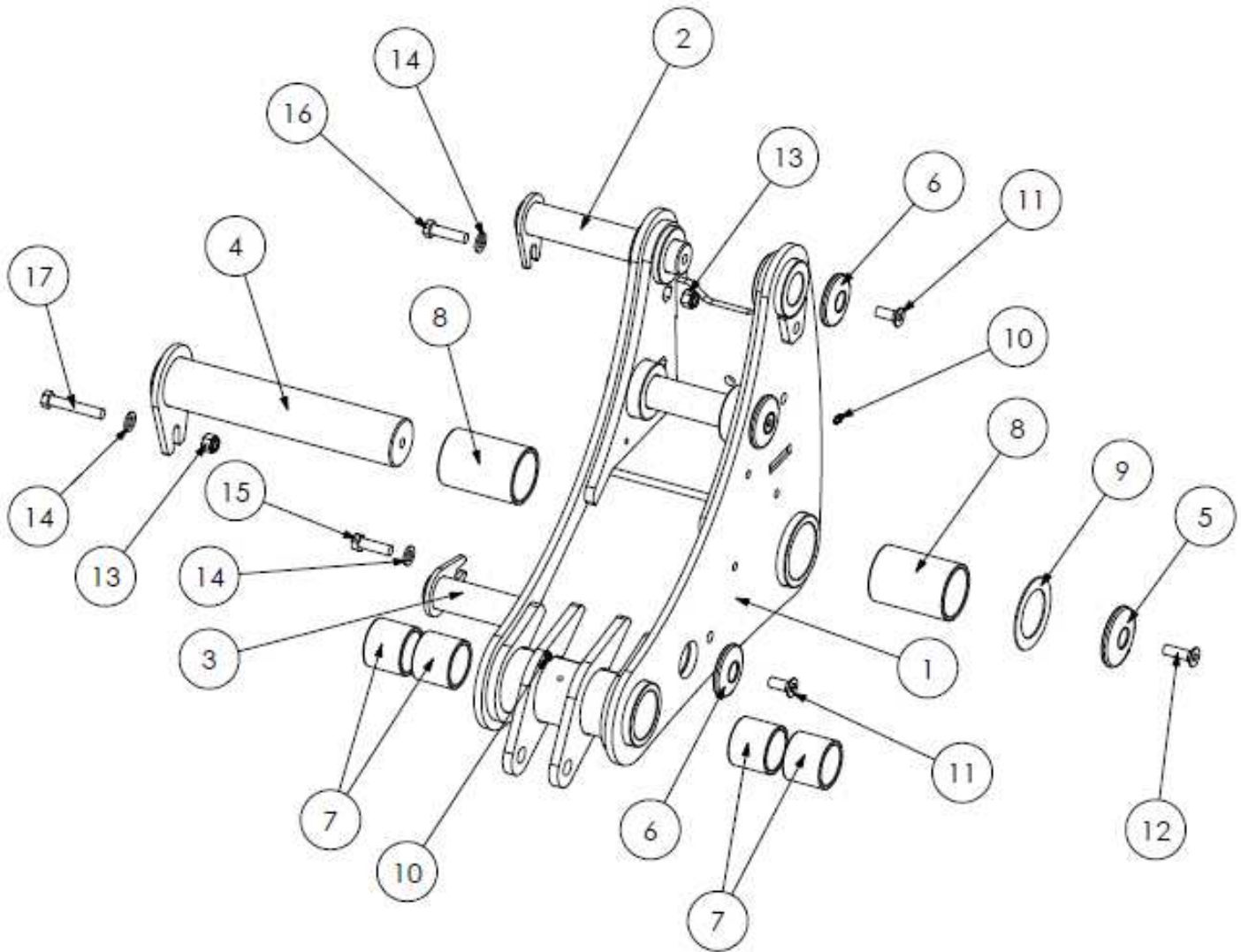
Spearhead ORBITAL

SLEW POST - S180009.6I

| REF NO. | PART NO. | QTY. | DESCRIPTION |
|---------|----------|------|-------------------------|
| 1 | 181187 | 1 | SLEW POST |
| 2 | 1777554 | 1 | PEAR PIN: 30 X 86 mm |
| 3 | 1782058 | 1 | PEAR PIN: 40 X 246 mm |
| 4 | 1782116 | 2 | PEAR PIN: 50 X 262 mm |
| 5 | 1777029 | 4 | SPACER |
| 6 | 1777208 | 3 | RETAINING WASHER - 65mm |
| 7 | 1777209 | 1 | RETAINING WASHER - 40mm |
| 8 | 6310230 | 1 | TRANSPORT LOCK PIN |
| 9 | 8770634 | 2 | RUBBER CUSHION |
| 10 | 2770443 | 4 | M12 X 40 BOLT |
| 11 | 2770442 | 3 | M12 SPRING WASHER |
| 12 | 2770436 | 4 | M12 FLAT WASHER |
| 13 | 2770417 | 1 | M12 NYLOCK |
| 14 | 2770506 | 2 | M12 X 30 SKT CSK SCREW |
| 15 | 2770551 | 2 | M24 X 80 BOLT |
| 16 | 2770460 | 2 | M24 FULL NUT |

Spearhead ORBITAL

LIFT FRAME - S180009.39



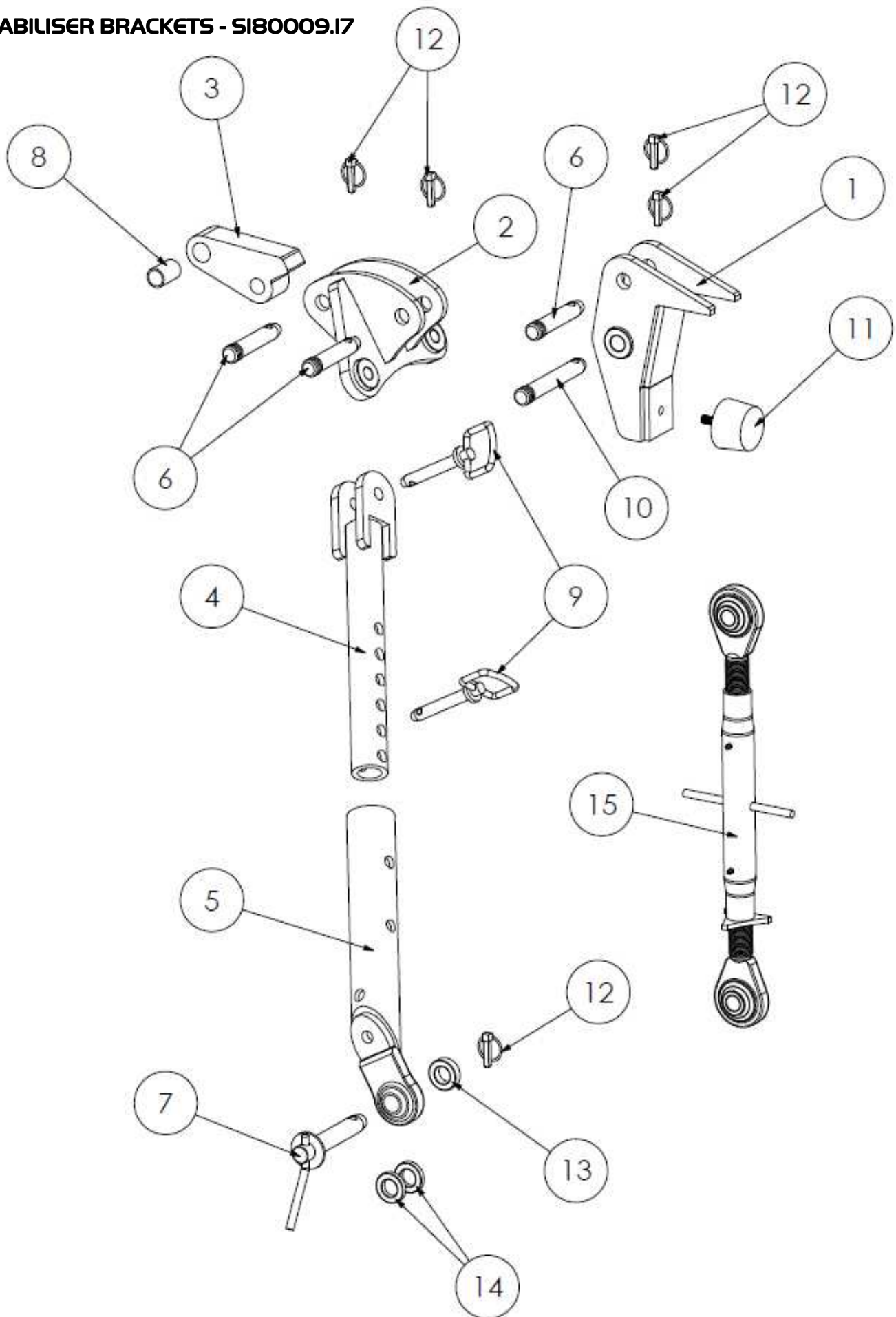
Spearhead ORBITAL

LIFT FRAME - S180009.39

| REF NO. | PART NO. | QTY. | DESCRIPTION |
|---------|----------|------|-------------------------|
| 1 | 1800204 | 1 | LIFT FRAME |
| 2 | 1782123 | 1 | PEAR PIN: 40 X 205 mm |
| 3 | 1782055 | 2 | PEAR PIN: 40 X 185 mm |
| 4 | 1782059 | 1 | PEAR PIN: 60 X 306 mm |
| 5 | 1777207 | 1 | RETAINING WASHER - 75mm |
| 6 | 1777208 | 3 | RETAINING WASHER - 65mm |
| 7 | 4600123 | 4 | BUSH |
| 8 | 4600136 | 2 | BUSH |
| 9 | 4600138 | 2 | SHIM: 60mm ID |
| 10 | 2770467 | 2 | M6 ST GREASE NIPPLE |
| 11 | 2770506 | 3 | M12 X 30 SKT CSK SCREW |
| 12 | 2770398 | 1 | M12 X 40 SKT CSK SCREW |
| 13 | 2770417 | 4 | M12 NYLOCK |
| 14 | 2770436 | 4 | M12 FLAT WASHER |
| 15 | 2770443 | 2 | M12 X 40 BOLT |
| 16 | 2770397 | 1 | M12 X 45 BOLT |
| 17 | 2770382 | 1 | M12 X 70 BOLT |

Spearhead ORBITAL

STABILISER BRACKETS - S180009.17



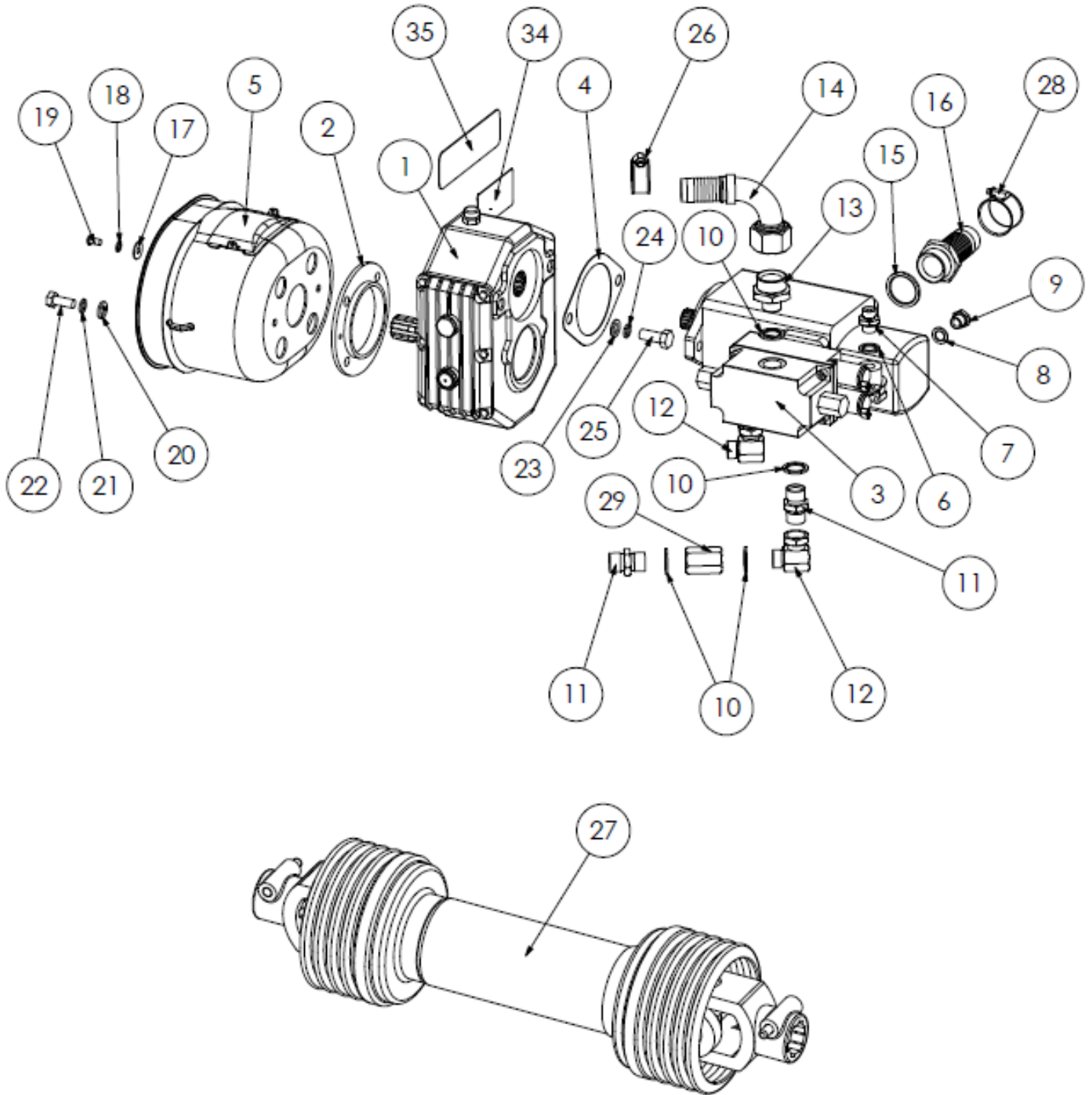
Spearhead ORBITAL

STABILISER BRACKETS - S180009.I7

| REF NO. | PART NO. | QTY. | DESCRIPTION |
|---------|-----------|------|--------------------------------------|
| 1 | 1777644 | 1 | TOP LINK CUSHION BRACKET |
| 2 | 1800289 | 1 | STABILISER BRACKET |
| 3 | 181353 | 1 | STABILISER TONGUE - STD |
| 3 | 1777873NS | OPT | STABILISER TONGUE - NEW HOLLAND STD |
| 3 | 1777873N | OPT | STABILISER TONGUE - NEW HOLLAND LONG |
| 4 | 1777532 | 2 | INNER STABILISER |
| 5 | 1777533A | 2 | OUTER STABILISER |
| 6 | 6310203 | 3 | TOP LINK PIN |
| 7 | 6310208 | 4 | LOWER LINK PIN |
| 8 | 6310214 | 1 | CONVERSION BUSH |
| 9 | 6310215 | 4 | PIN |
| 10 | 6310235 | 1 | TOP LINK PIN |
| 11 | 8770634 | 1 | RUBBER CUSHION |
| 12 | 00.372.01 | 8 | LYNCH PIN |
| 13 | 43332.01 | 2 | 15mm SPACER |
| 14 | 43332.02 | 4 | 10mm SPACER |
| 15 | 6310245 | 1 | TOP LINK |

Spearhead ORBITAL

HYDRAULICS - S180009.I8



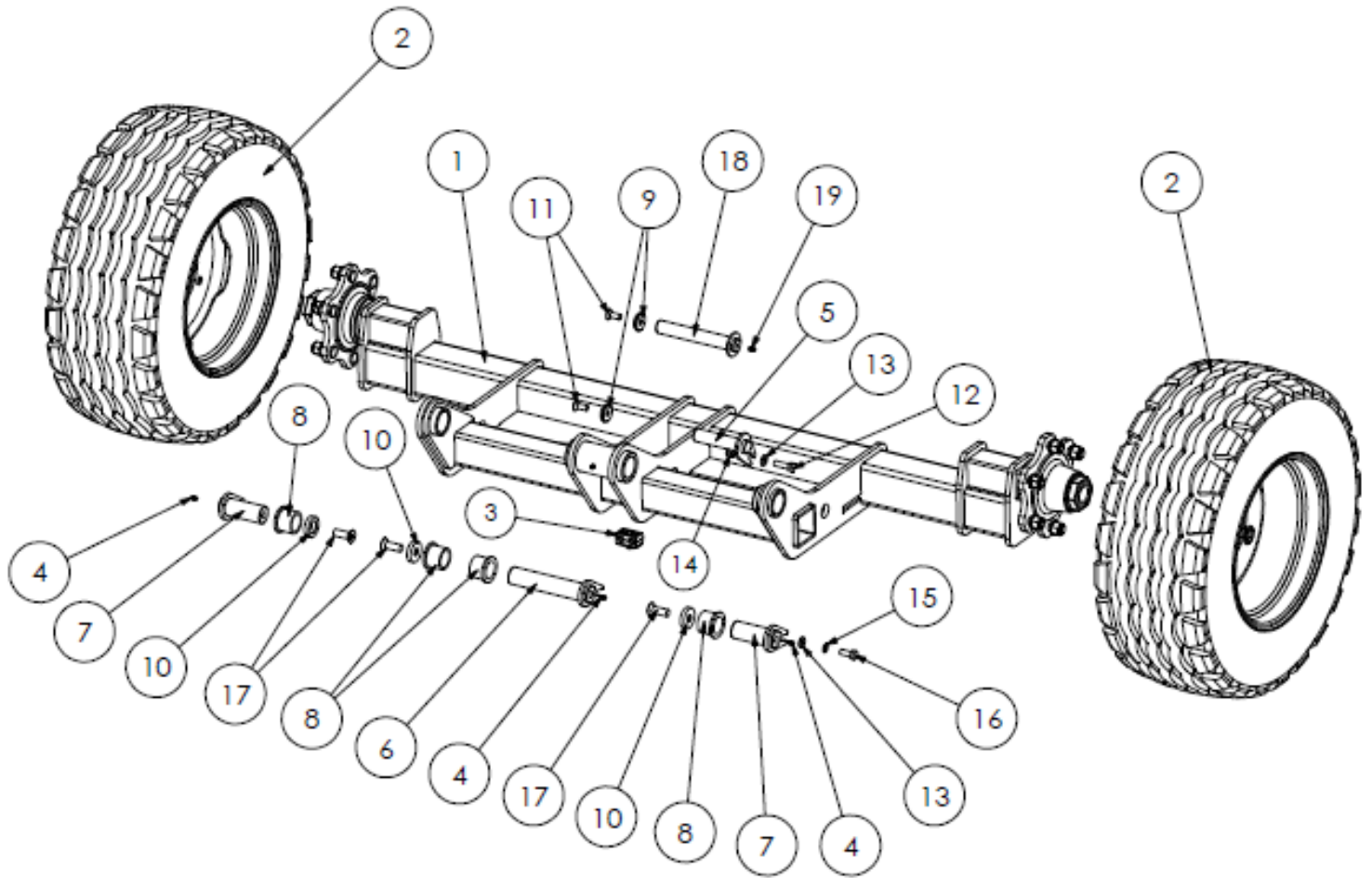
Spearhead ORBITAL

HYDRAULICS - S180009.18

| REF NO. | PART NO. | QTY. | DESCRIPTION |
|---------|----------|------|-------------------------|
| 1 | 3151080 | 1 | GEARBOX |
| 2 | 1778200 | 1 | GEARBOX SUPPORT RING |
| 3 | 3151118 | 1 | TANDEM PUMP |
| 4 | 3151032G | 1 | GASKET |
| 5 | 5770116 | 1 | CONE |
| 6 | 3260072 | 1 | ½" BONDED SEAL |
| 7 | 3460301 | 1 | ½" M-M |
| 8 | 3260071 | 1 | 3/8" BONDED SEAL |
| 9 | 3460110 | 1 | 3/8" MALE PLUG |
| 10 | 3260073 | 5 | 3/4" BONDED SEAL |
| 11 | 3360090 | 3 | 3/4" M-M |
| 12 | 3700198 | 2 | 3/4" COMPACT 90 |
| 13 | 3360101 | 1 | 3/4"-1 1/4" M-M |
| 14 | 3761004 | 1 | 1 1/4" 90 HOSE TAIL |
| 15 | 3700226 | 1 | 1 1/2" BONDED SEAL |
| 16 | 3761002 | 1 | 1 1/2" MALE HOSE TAIL |
| 17 | 2770244 | 2 | M8 REPAIR WASHER |
| 18 | 2770433 | 2 | M8 SPRING WASHER |
| 19 | 2770370 | 2 | M8 X 16 SKT BUTTON |
| 20 | 2770436 | 4 | M12 FLAT WASHER |
| 21 | 2770442 | 4 | M12 SPRING WASHER |
| 22 | 2770420 | 4 | M12 X 30 BOLT |
| 23 | 2770455 | 2 | M14 FLAT |
| 24 | 2770457 | 2 | M14 SPRING |
| 25 | 2770453 | 2 | M14 X 35 BOLT |
| 26 | 3700253 | 1 | HOSE CLAMP |
| 27 | 5770084C | 1 | P.T.O. |
| 28 | 3700257 | 1 | HOSE CLAMP |
| 29 | 3360071 | 1 | 3/4" BARREL NUT |
| 30 | 3360080 | 1 | 1/4" M-M |
| 31 | 3260070 | 1 | 1/4" BONDED SEAL |
| 32 | 3760125 | 1 | HOSE |
| 33 | 3460108 | 1 | 1/4" MALE PLUG |
| 34 | 8770305 | 1 | 540 RPM DECAL |
| 35 | 8770419 | 1 | GEARBOX OIL LEVEL DECAL |

Spearhead ORBITAL

WHEEL CARRIAGE - S180009.05



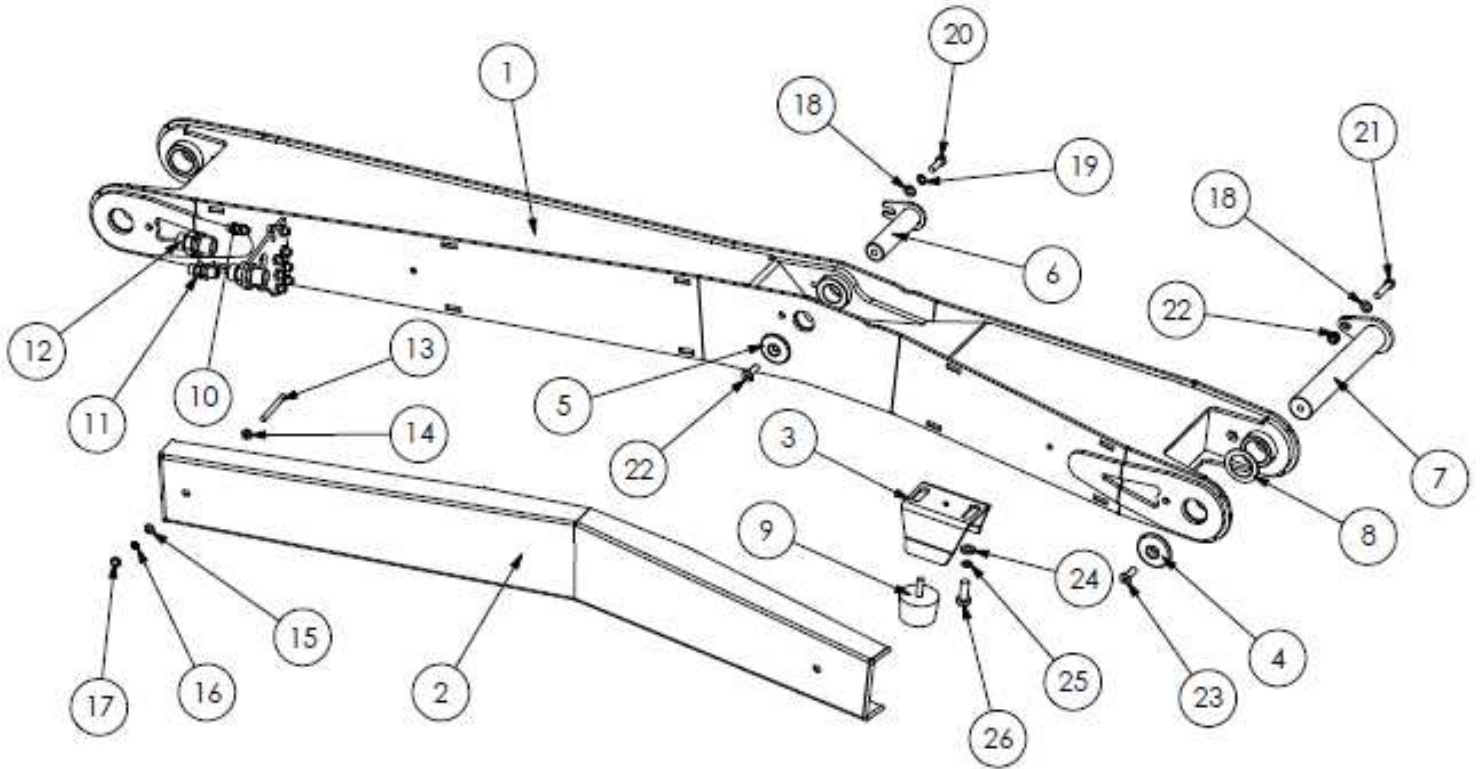
Spearhead ORBITAL

WHEEL CARRIAGE - S180009.05

| REF NO. | PART NO. | QTY. | DESCRIPTION |
|---------|-----------|------|-------------------------|
| 1 | 1777645 | 1 | WHEEL CARRIAGE FRAME |
| 2 | T5718 | 2 | WHEEL ASSEMBLY |
| 3 | 3870632 | 3 | 1/4" HOSE CLAMP |
| 4 | 2770467 | 4 | M6 ST GREASE NIPPLE |
| 5 | 1777764 | 1 | PEAR PIN: 30 X 120 mm |
| 6 | 1777968 | 1 | PEAR PIN: 40 X 192 mm |
| 7 | 1777967 | 2 | PEAR PIN: 40 X 92 mm |
| 8 | 4600127-A | 4 | BUSH |
| 9 | 1777209 | 2 | RETAINING WASHER - 40mm |
| 10 | 1777933 | 3 | RETAINING WASHER - 65mm |
| 11 | 2770506 | 6 | M12 X 30 SKT CSK SCREW |
| 12 | 2770443 | 4 | M12 X 40 BOLT |
| 13 | 2770436 | 4 | M12 FLAT WASHER |
| 14 | 2770417 | 4 | M12 NYLOCK |
| 15 | 2770442 | 3 | M12 SPRING WASHER |
| 16 | 2770420 | 3 | M12 X 30 BOLT |
| 17 | 2770461 | 3 | M16 X 45 SKT CSK SCREW |
| 18 | 1777978 | 1 | PIN: 30 X 195 mm |
| 19 | 2770468 | 1 | M8 ST GREASE NIPPLE |

Spearhead ORBITAL

606/726T MAIN ARM - S180035.05
686/836T MAIN ARM - S180035.08



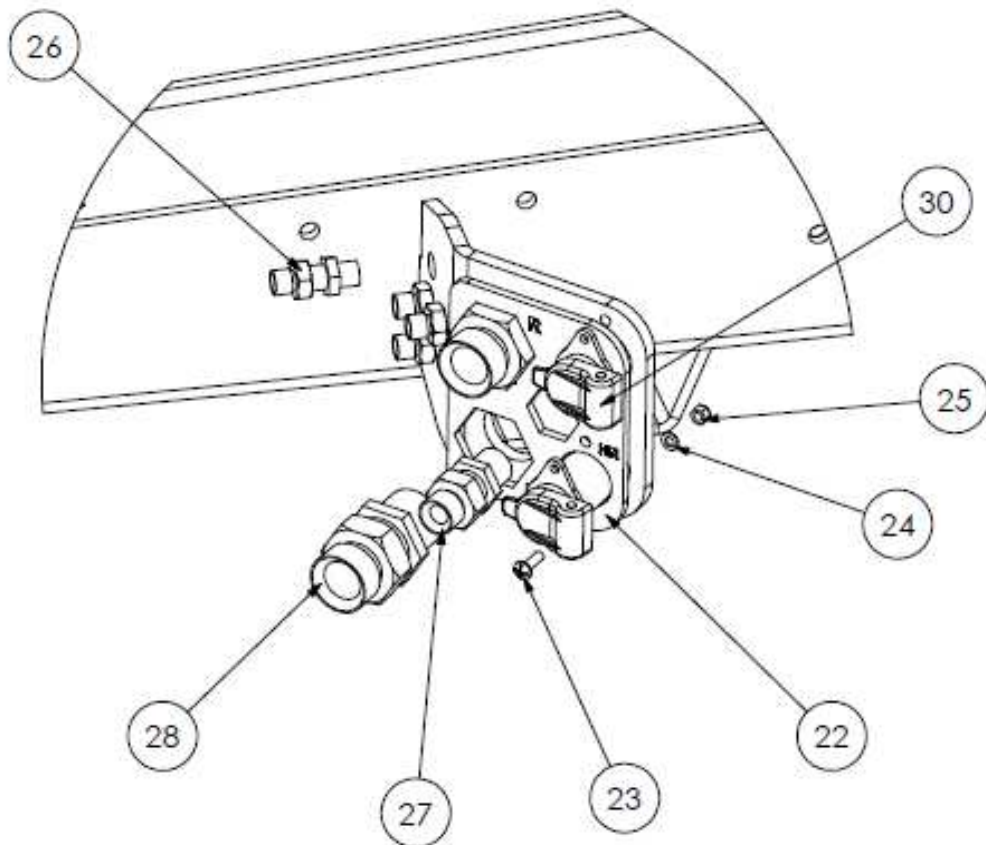
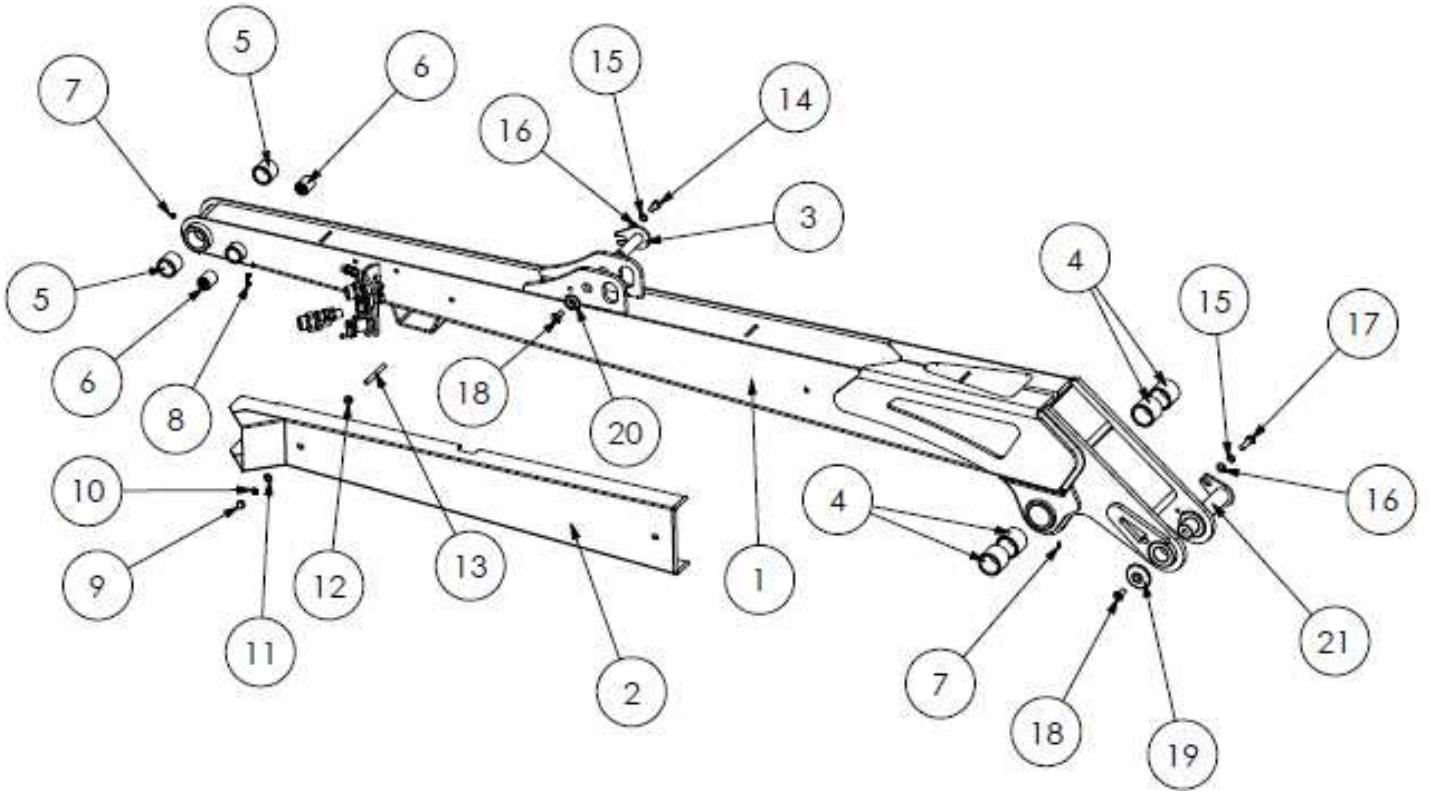
Spearhead ORBITAL

606/726T MAIN ARM – S180035.05
686/836T MAIN ARM – S180035.08

| REF NO. | PART NO. | QTY. | DESCRIPTION |
|---------|-----------|------|------------------------------|
| 1 | 1800239 | 1 | LH MAIN ARM - 606/726T |
| 1 | 1800243 | 1 | LH MAIN ARM - 686/836T |
| 2 | 181025 | 1 | LH MAIN ARM GUARD - 606/726T |
| 2 | 181027 | 1 | LH MAIN ARM GUARD - 686/836T |
| 3 | 1777144 | 1 | BUMP STOP BRACKET |
| 4 | 1777207 | 2 | RETAINING WASHER - 75mm |
| 5 | 1777208 | 1 | RETAINING WASHER - 65mm |
| 6 | 1782054 | 1 | PEAR PIN: 40 X 159 mm |
| 7 | 1777437 | 2 | PEAR PIN: 50 X 320 mm |
| 8 | 4600137 | 4 | SPACER - 50 mm ID |
| 9 | 8770634 | 1 | RUBBER CUSHION |
| 10 | 3460122 | 8 | 1/4" BULKHEAD |
| 11 | 3700187 | 1 | 1/2" BULKHEAD |
| 12 | 3460115 | 2 | 1" BULKHEAD |
| 13 | 04.282.69 | 2 | M10 X 110 STUD |
| 14 | 05.286.02 | 2 | M10 FULL NUT |
| 15 | 2770434 | 2 | M10 FLAT WASHER |
| 16 | 05.283.02 | 2 | M10 SHAKE PROOF WASHER |
| 17 | 9100025 | 2 | M10 DOMED WASHER |
| 18 | 2770436 | 3 | M12 FLAT WASHER |
| 19 | 2770442 | 1 | M12 SPRING WASHER |
| 20 | 2770535 | 1 | M12 X 35 BOLT |
| 21 | 2770419 | 1 | M12 X 50 BOLT |
| 22 | 2770417 | 2 | M12 NYLOCK |
| 23 | 2770398 | 3 | M12 X 40 SKT CSK SCREW |
| 24 | 2770454 | 2 | M16 FLAT WASHER |
| 25 | 2770456 | 2 | M16 SPRING WASHER |
| 26 | 05.264.35 | 2 | M16 X 40 BOLT |

Spearhead ORBITAL

606 DIPPER ARM - S180035.07
686 DIPPER ARM - S180035.10



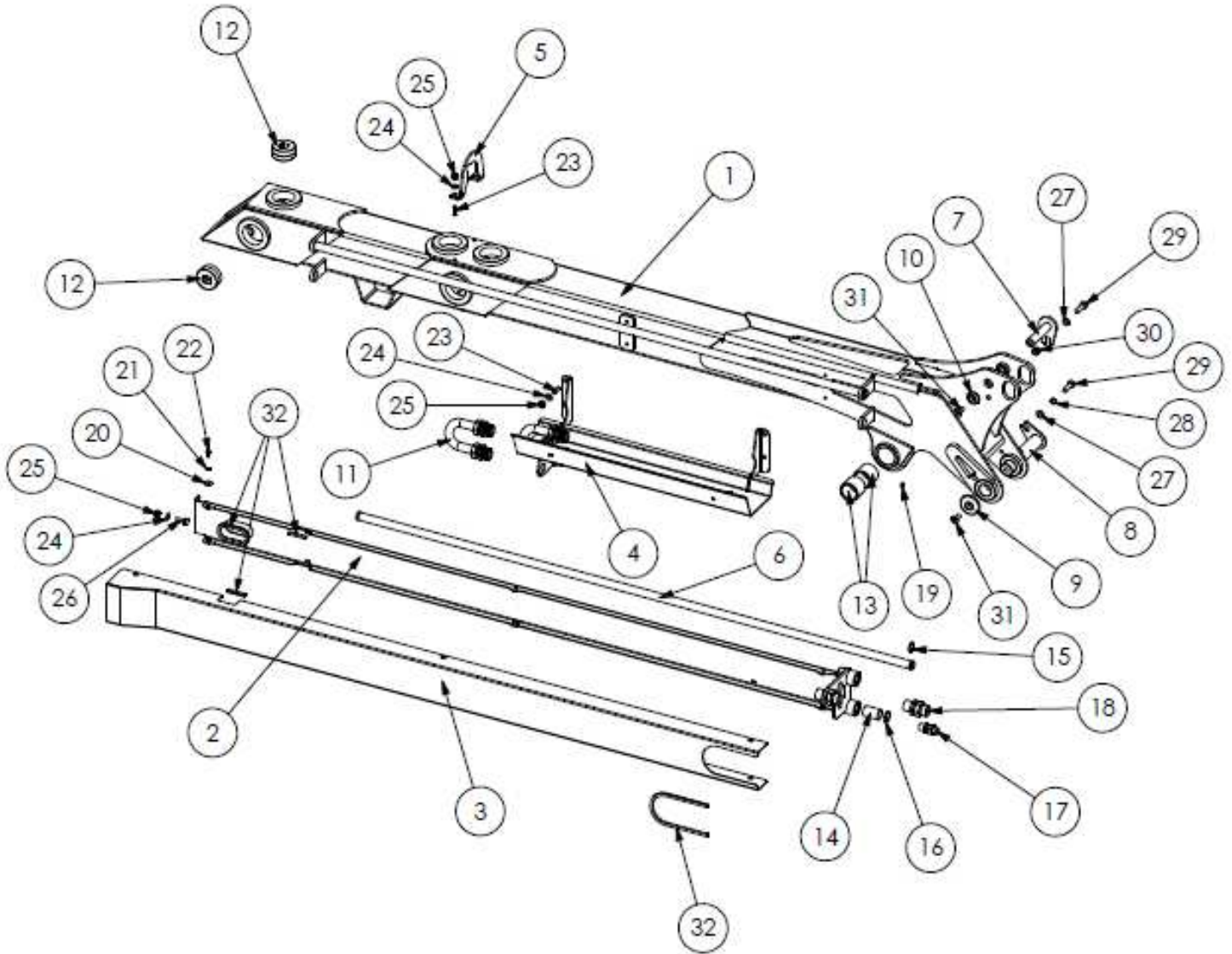
Spearhead ORBITAL

606 DIPPER ARM - S180035.07
686 DIPPER ARM - S180035.10

| REF NO. | PART NO. | QTY. | DESCRIPTION |
|---------|-----------|------|-----------------------------|
| 1 | 1800207 | 1 | DIPPER ARM - 606 |
| 1 | 1800212 | 1 | DIPPER ARM - 686 |
| 2 | 181295 | 1 | HOSE GUARD - 606 |
| 2 | 181296 | 1 | HOSE GUARD - 686 |
| 3 | 1778038 | 1 | PEAR PIN: 25.4 X 98 mm |
| 4 | 4600123 | 4 | BUSH |
| 5 | 4600125 | 2 | BUSH |
| 6 | 42654.08 | 2 | BUSH |
| 7 | 2770467 | 2 | M6 ST GREASE NIPPLE |
| 8 | 2770639 | 1 | M6 EXTENDED GREASE NIPPLE |
| 9 | 9100025 | 2 | M10 DOMED NUT |
| 10 | 05.283.02 | 2 | M10 SHAKE PROOF WASHER |
| 11 | 2770434 | 2 | M10 FLAT WASHER |
| 12 | 05.286.02 | 2 | M10 FULL NUT |
| 13 | 04.282.84 | 2 | M10 X 90 STUD |
| 14 | 2770484 | 1 | M12 X 25 BOLT |
| 15 | 2770442 | 2 | M12 SPRING WASHER |
| 16 | 2770436 | 2 | M12 FLAT WASHER |
| 17 | 2770458 | 1 | M12 X 40 BOLT |
| 18 | 2770506 | 2 | M12 X 30 SKT CSK SCREW |
| 19 | 1777208 | 1 | RETAINING WASHER - 65 mm |
| 20 | 1777209 | 1 | RETAINING WASHER - 40 mm |
| 21 | 1782056 | 1 | PEAR PIN: 40 X 197 mm |
| 22 | 180818 | 1 | LH BULKHEAD RETAINING PLATE |
| 23 | 2770249 | 5 | M5 X 25 SCREW |
| 24 | 2770391 | 5 | M5 FLAT WASHER |
| 25 | 2770394 | 5 | M5 NYLOCK |
| 26 | 3460122 | 4 | 1/4" BULKHEAD |
| 27 | 3700187 | 1 | 1/2" BULKHEAD |
| 28 | 3460115 | 2 | 1" BULKHEAD |
| 29 | 03.231.01 | 500 | EDGING STRIP |

Spearhead ORBITAL

726T OUTER DIPPER ARM – S180035.II
836T OUTER DIPPER ARM – S180035.I3



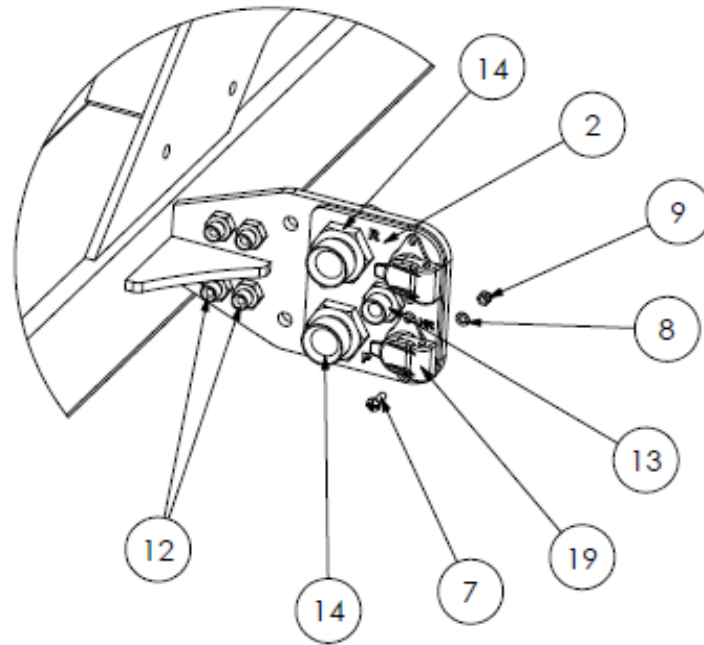
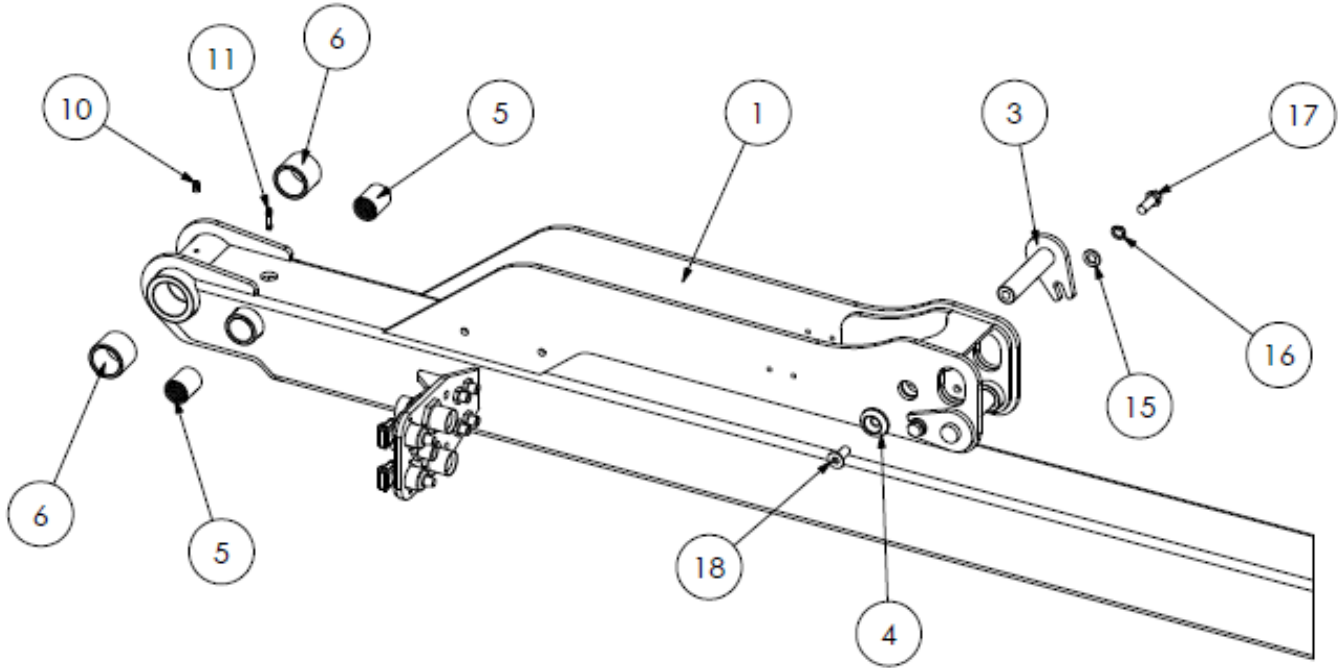
Spearhead ORBITAL

726T OUTER DIPPER ARM – S180035.II
836T OUTER DIPPER ARM – S180035.I3

| REF NO. | PART NO. | QTY. | DESCRIPTION |
|---------|-----------|------|----------------------------|
| 1 | 1800225 | 1 | LH OUTER DIPPER ARM - 726T |
| 1 | 1800229 | 1 | LH OUTER DIPPER ARM - 836T |
| 2 | 1800247 | 1 | LH SLIDER RAIL - 726T |
| 2 | 1800248 | 1 | LH SLIDER RAIL - 836T |
| 3 | 181132 | 1 | DIPPER ARM GUARD - 726T |
| 3 | 181133 | 1 | DIPPER ARM GUARD - 836T |
| 4 | 1800272 | 1 | LH HOSE TRAY |
| 4 | 1800285 | 1 | RH HOSE TRAY |
| 5 | 1777495A | 1 | RAM GUIDE |
| 6 | 1778301 | 2 | SLIDER RAIL TUBE - 726T |
| 6 | 1778302 | 2 | SLIDER RAIL TUBE - 836T |
| 7 | 1777828A | 1 | PEAR PIN: 25.4 X 113 mm |
| 8 | 1782056 | 1 | PEAR PIN: 40 X 197 mm |
| 9 | 1777208 | 1 | RETAINING WASHER - 65 mm |
| 10 | 1777209 | 1 | RETAINING WASHER - 40 mm |
| 11 | 3761015 | 2 | 1" 180°TUBE |
| 12 | 4600121A | 10 | WEAR PAD |
| 13 | 4600123 | 4 | BUSH |
| 14 | 4600124 | 2 | BUSH |
| 15 | 2771111 | 4 | EXTERNAL CIRCLIP |
| 16 | 2771112 | 2 | INTERNAL CIRCLIP |
| 17 | 3700187 | 1 | 1/2" BULKHEAD |
| 18 | 3460115 | 2 | 1" BULKHEAD |
| 19 | 2770467 | 1 | M6 ST GREASE NIPPLE |
| 20 | 2770244 | 6 | M8 REPAIR WASHER |
| 21 | 05.283.01 | 6 | M8 SHAKE PROOF WASHER |
| 22 | 2770370 | 6 | M8 15 SKT BUTTON SCREW |
| 23 | 04.282.24 | 6 | M10 X 29 STUD |
| 24 | 2770434 | 6 | M10 FLAT |
| 25 | 2770412 | 6 | M10 NYLOCK |
| 26 | 2770421 | 2 | M10 X 30 BOLT |
| 27 | 2770436 | 2 | M12 FLAT WASHER |
| 28 | 2770442 | 1 | M12 SPRING WASHER |
| 29 | 2770458 | 2 | M12 X 40 BOLT |
| 30 | 2770417 | 1 | M12 NYLOCK |
| 31 | 2770506 | 2 | M12 X 30 SKT CSK SCREW |
| 32 | 03.231.01 | 850 | EDGING STRIP |

Spearhead ORBITAL

726T INNER DIPPER ARM - S180035.12
836T INNER DIPPER ARM - S180035.14



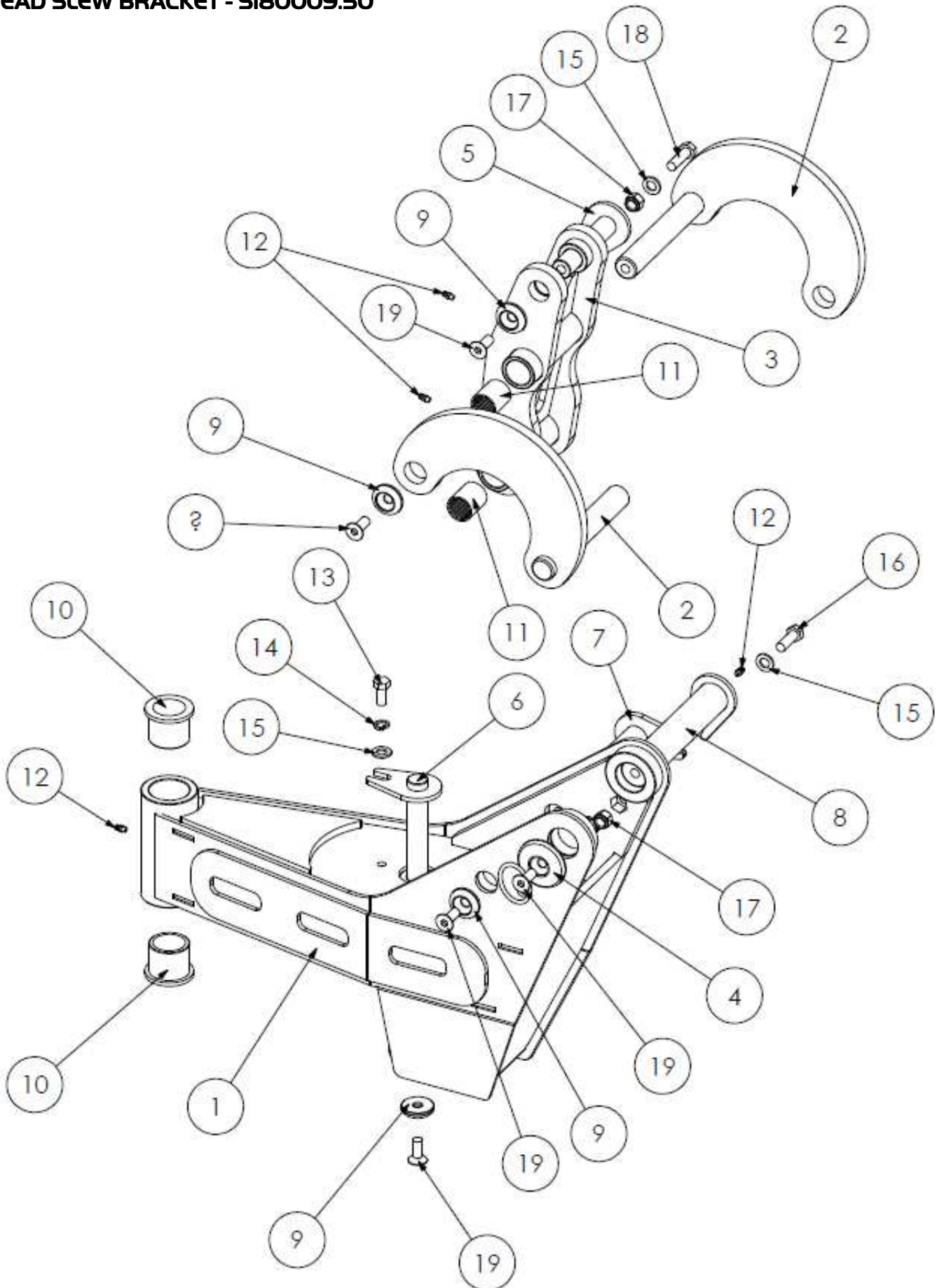
Spearhead ORBITAL

726T INNER DIPPER ARM – S180035.I2
836T INNER DIPPER ARM – S180035.I4

| REF NO. | PART NO. | QTY. | DESCRIPTION |
|---------|----------|------|-----------------------------|
| 1 | 1800226 | 1 | LH INNER DIPPER ARM - 726T |
| 1 | 1800230 | 1 | LH INNER DIPPER ARM - 836T |
| 2 | 180818 | 1 | LH BULKHEAD RETAINING PLATE |
| 3 | 1777928A | 2 | PEAR PIN: 25.4 X 113 mm |
| 4 | 1777209 | 2 | RETAINING WASHER - 40 mm |
| 5 | 42654.08 | 2 | BUSH |
| 6 | 4600125 | 2 | BUSH |
| 7 | 2770249 | 5 | M5 X 25 SCREW |
| 8 | 2770391 | 5 | M5 FLAT WASHER |
| 9 | 2770394 | 5 | M5 NYLOCK |
| 10 | 2770467 | 1 | M6 ST GREASE NIPPLE |
| 11 | 2770639 | 1 | M6 EXTENDED GREASE NIPPLE |
| 12 | 3460122 | 4 | 1/4" BULKHEAD |
| 13 | 3700187 | 1 | 1/2" BULKHEAD |
| 14 | 3460115 | 2 | 1" BULKHEAD |
| 15 | 2770436 | 2 | M12 FLAT WASHER |
| 16 | 2770442 | 2 | M12 SPRING WASHER |
| 17 | 2770420 | 2 | M12 X 30 BOLT |
| 18 | 2770506 | 2 | M12 X 30 SKT CSK SCREW |

Spearhead ORBITAL

HEAD SLEW BRACKET - S180009.50



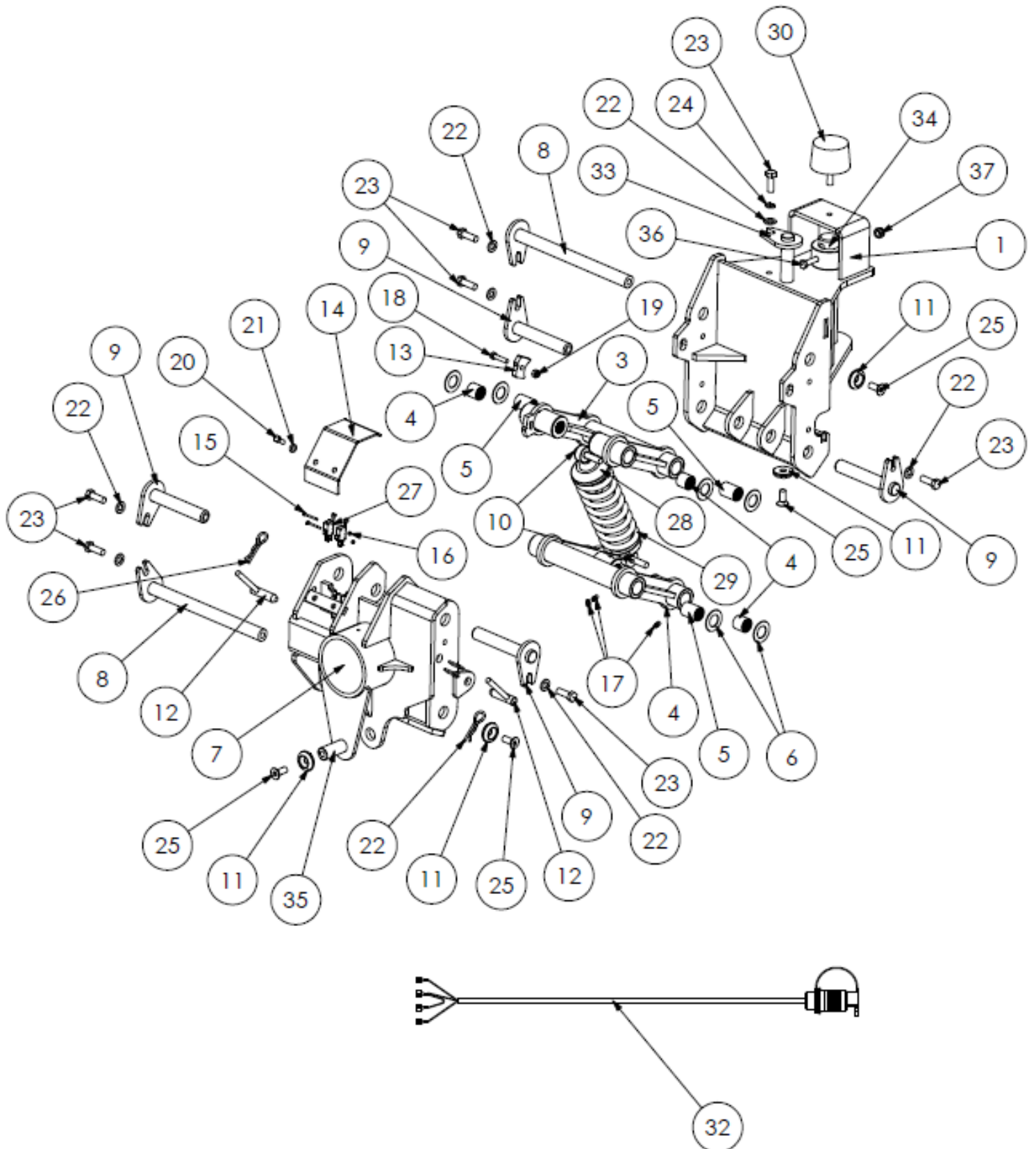
Spearhead ORBITAL

HEAD SLEW BRACKET - S180009.50

| REF NO. | PART NO. | QTY. | DESCRIPTION |
|---------|-----------|------|-------------------------|
| 1 | 1777455B | 1 | HEAD SLEW BRACKET |
| 2 | 180714 | 2 | CURVED LINK |
| 3 | 181037 | 1 | HEAD CROWD LINK |
| 4 | 181041 | 1 | HOSE GUIDE |
| 5 | 1777362 | 1 | PEAR PIN: 25.4 X 120 mm |
| 6 | 1777971 | 1 | PEAR PIN: 25.4 X 255 mm |
| 7 | 1777970 | 1 | PEAR PIN: 30 X 203 mm |
| 8 | 1777969 | 1 | PEAR PIN: 40 X 205 mm |
| 9 | 1777209 | 5 | RETAINING WASHER - 40mm |
| 10 | 4600127-A | 2 | BUSH |
| 11 | 42654.08 | 4 | BUSH |
| 12 | 2770467 | 4 | M6 ST GREASE NIPPLE |
| 13 | 2770484 | 1 | M12 X 25 BOLT |
| 14 | 2770442 | 1 | M12 SPRING WASHER |
| 15 | 2770436 | 4 | M12 FLAT WASHER |
| 16 | 2770535 | 1 | M12 X 35 BOLT |
| 17 | 2770417 | 3 | M12 NYLOCK NUT |
| 18 | 2770443 | 1 | M12 X 40 BOLT |
| 19 | 2770506 | 6 | M12 X 30 SKT CSK SCREW |

Spearhead ORBITAL

AUTOPILOT - S180009.28



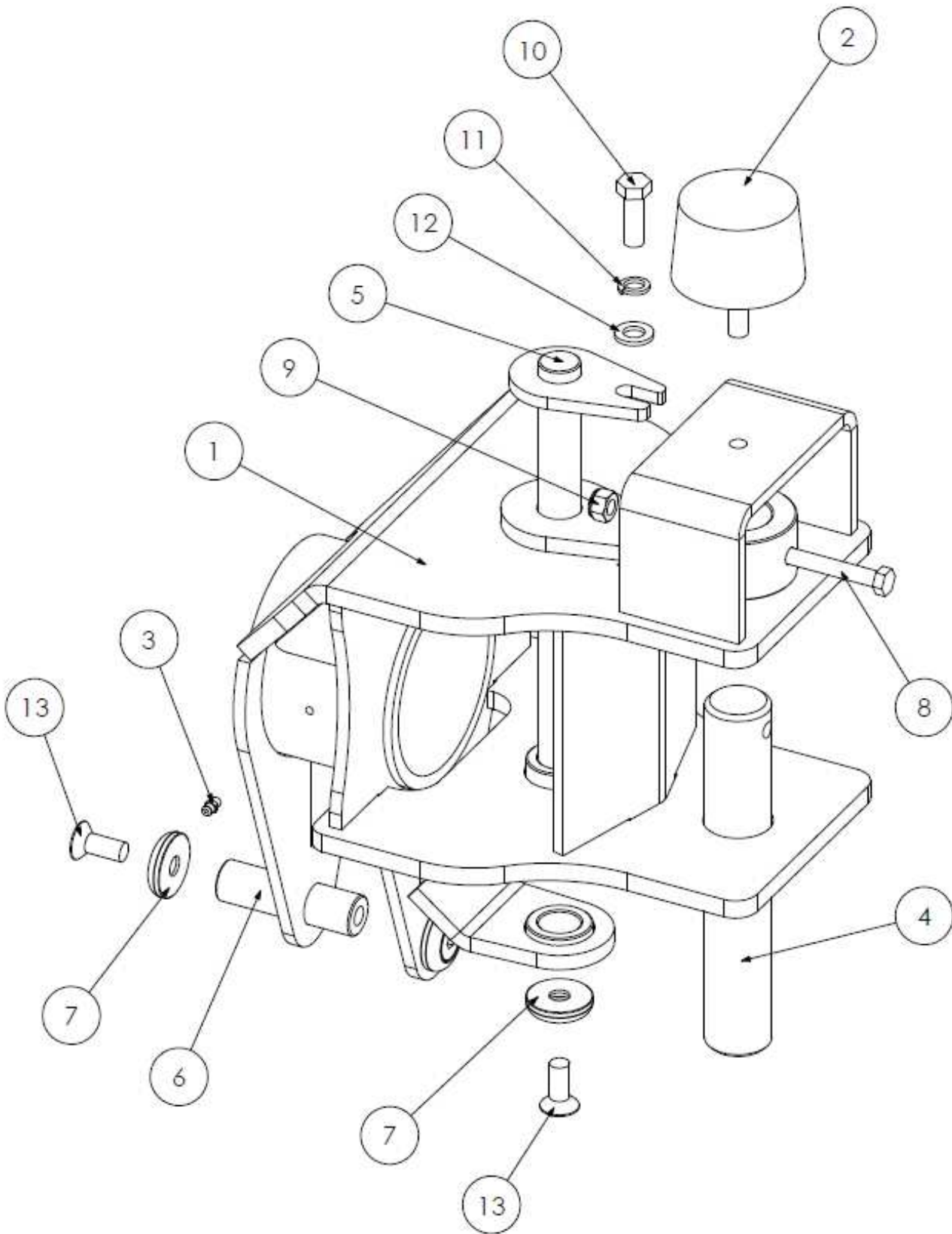
Spearhead ORBITAL

AUTOPILOT - 5180009.28

| REF NO. | PART NO. | QTY. | DESCRIPTION |
|---------|-----------|------|-------------------------|
| 1 | 1777817O | 1 | REAR BRACKET |
| 2 | 1777818A | 1 | FLOAT INK & CAM |
| 3 | 1777818B | 1 | FLOAT LINK |
| 4 | 4600417 | 8 | BUSH - SHORT |
| 5 | 4600418 | 4 | BUSH - LONG |
| 6 | 4600419 | 8 | THRUST WASHER |
| 7 | 1777817O | 1 | FRONT BRACKET |
| 8 | 1777941 | 2 | PEAR PIN: 25.4 X 310 mm |
| 9 | 1777942 | 4 | PEAR PIN: 25.4 X 145 mm |
| 10 | 1777822 | 2 | PIN |
| 11 | 1777209 | 5 | RETAINING WASHER - 40mm |
| 12 | 1777749 | 2 | LOCKING PIN |
| 13 | 1777848A | 1 | REAR CAM |
| 14 | 1777748O | 1 | CAM GUARD |
| 15 | 2770237 | 2 | M3 X 35 SCREW |
| 16 | 2770233 | 4 | M3 FULL NUT |
| 17 | 2770467 | 6 | M6 ST GREASE NIPPLE |
| 18 | 2770488 | 1 | M8 X 35 BOLT |
| 19 | 2770416 | 1 | M8 NYLOCK NUT |
| 20 | 2770370 | 2 | M8 X 15 SKT BUTTON BOLT |
| 21 | 2770323 | 2 | M8 SPRING WASHER |
| 22 | 2770436 | 7 | M12 FLAT WASHER |
| 23 | 2770535 | 7 | M12 X 35 BOLT |
| 24 | 2770442 | 7 | M12 SPRING WASHER |
| 25 | 2770506 | 5 | M12 X 30 SKT CSK SCREW |
| 26 | 6310194 | 2 | R CLIP |
| 27 | 3910275 | 2 | SWITCH |
| 28 | 8770600 | 1 | SHOCK ABSORBER |
| 29 | 8770601 | 1 | SPRING |
| 30 | 8770634 | 1 | RUBBER CUSHION |
| 31 | 8770696 | 1 | AUTOPILOT DECAL |
| 32 | 8770777 | 1 | AUTOPILOT LOOM |
| 33 | 1777973 | 1 | PEAR PIN: 25.4 X 306 mm |
| 34 | 03.656.56 | 1 | PIN: 40 X 237 mm |
| 35 | 1778039A | 1 | PIN: 25.4 X 90 mm |
| 36 | 05.292.12 | 1 | M10 X 90 BOLT |
| 37 | 2770412 | 1 | M10 NYLOCK |

Spearhead ORBITAL

HEAD MOUNT BRACKET- 5180009.40



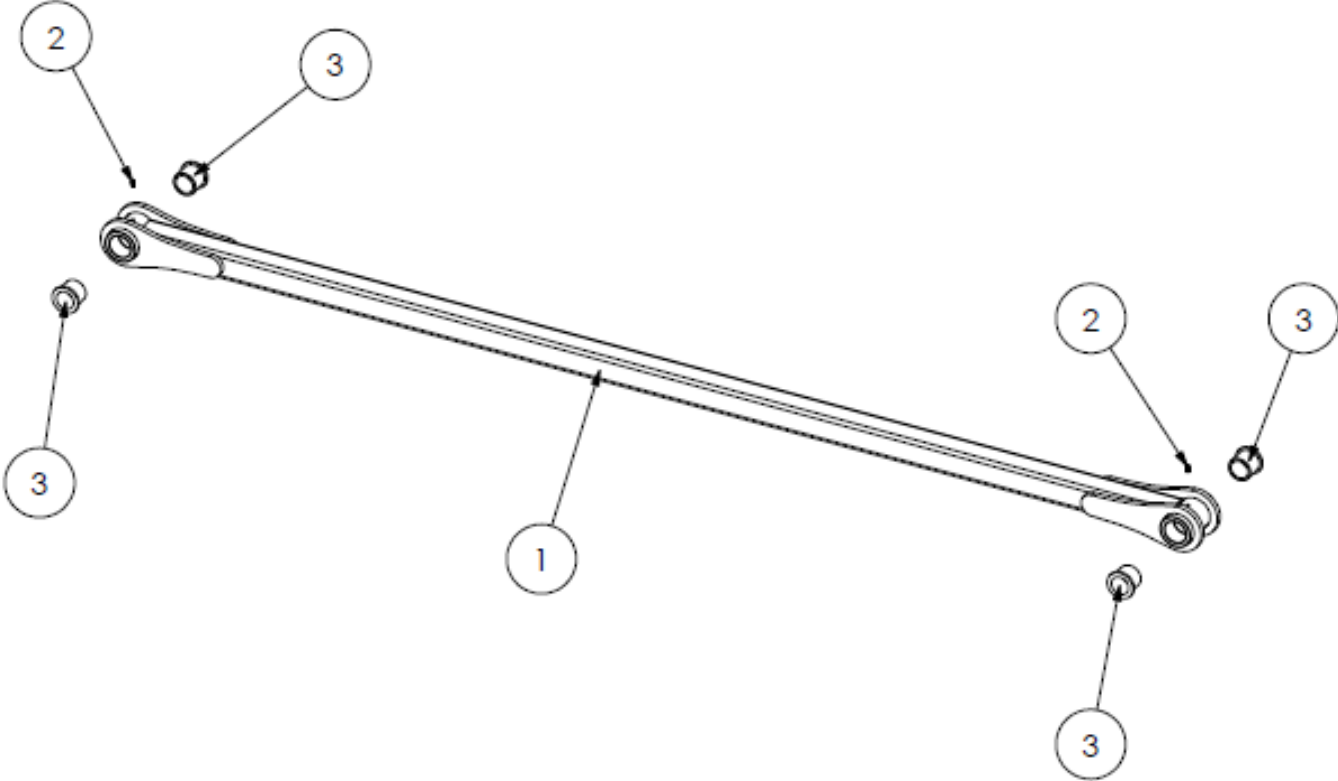
Spearhead ORBITAL

HEAD MOUNT BRACKET- S180009.40

| REF NO. | PART NO. | QTY. | DESCRIPTION |
|---------|-----------|------|--------------------------|
| 1 | 180178 | 1 | BRACKET |
| 2 | 8770634 | 1 | RUBBER CUSHION |
| 3 | 2770467 | 1 | M6 GREASE NIPPLE |
| 4 | 03.656.56 | 1 | PIN: 40 X 237 mm |
| 5 | 1777973 | 1 | PEAR PIN: 25.4 X 306 mm |
| 6 | 1778039A | 1 | PIN: 25.4 X 90 mm |
| 7 | 1777209 | 3 | RETAINING WASHER - 40 mm |
| 8 | 05.292.12 | 1 | M10 X 90 BOLT |
| 9 | 2770412 | 1 | M10 NYLOCK |
| 10 | 2770535 | 1 | M12 X 35 BOLT |
| 11 | 2770442 | 1 | M12 SPRING WASHER |
| 12 | 2770436 | 1 | M12 FLAT WASHER |
| 13 | 2770506 | 3 | M12 X 30 SKT CSK SCREW |

Spearhead ORBITAL

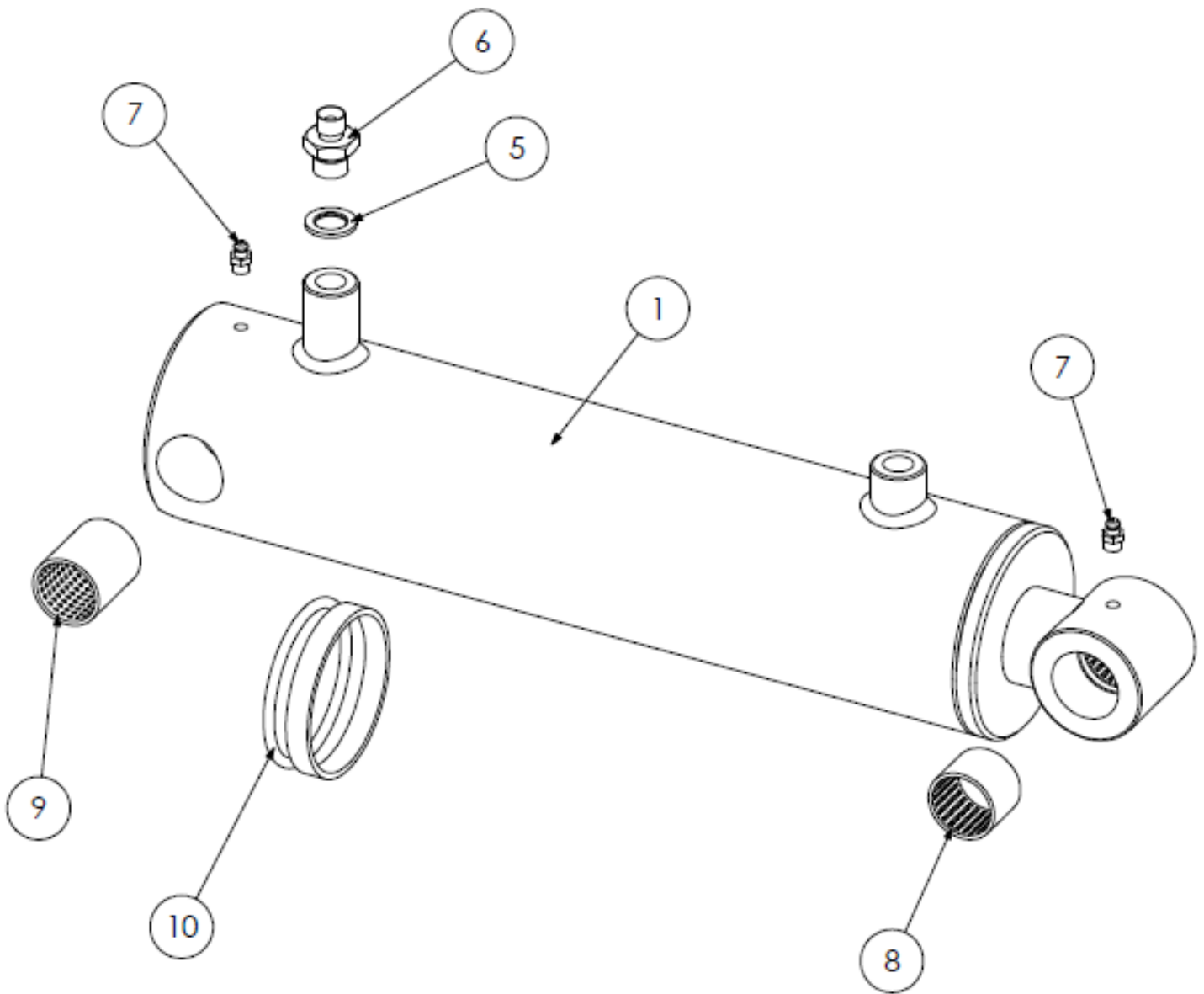
606/726T TIE BAR - S180009.45
686/836T TIE BAR - S180009.46



| REF NO. | PART NO. | QTY. | DESCRIPTION |
|---------|-----------|------|---------------------|
| 1 | 1800209 | 1 | TIE BAR - 606/726T |
| 1 | 1800214 | 1 | TIE BAR - 686/836T |
| 2 | 2770467 | 2 | M6 ST GREASE NIPPLE |
| 3 | 4600127-A | 2 | BUSH |

Spearhead ORBITAL

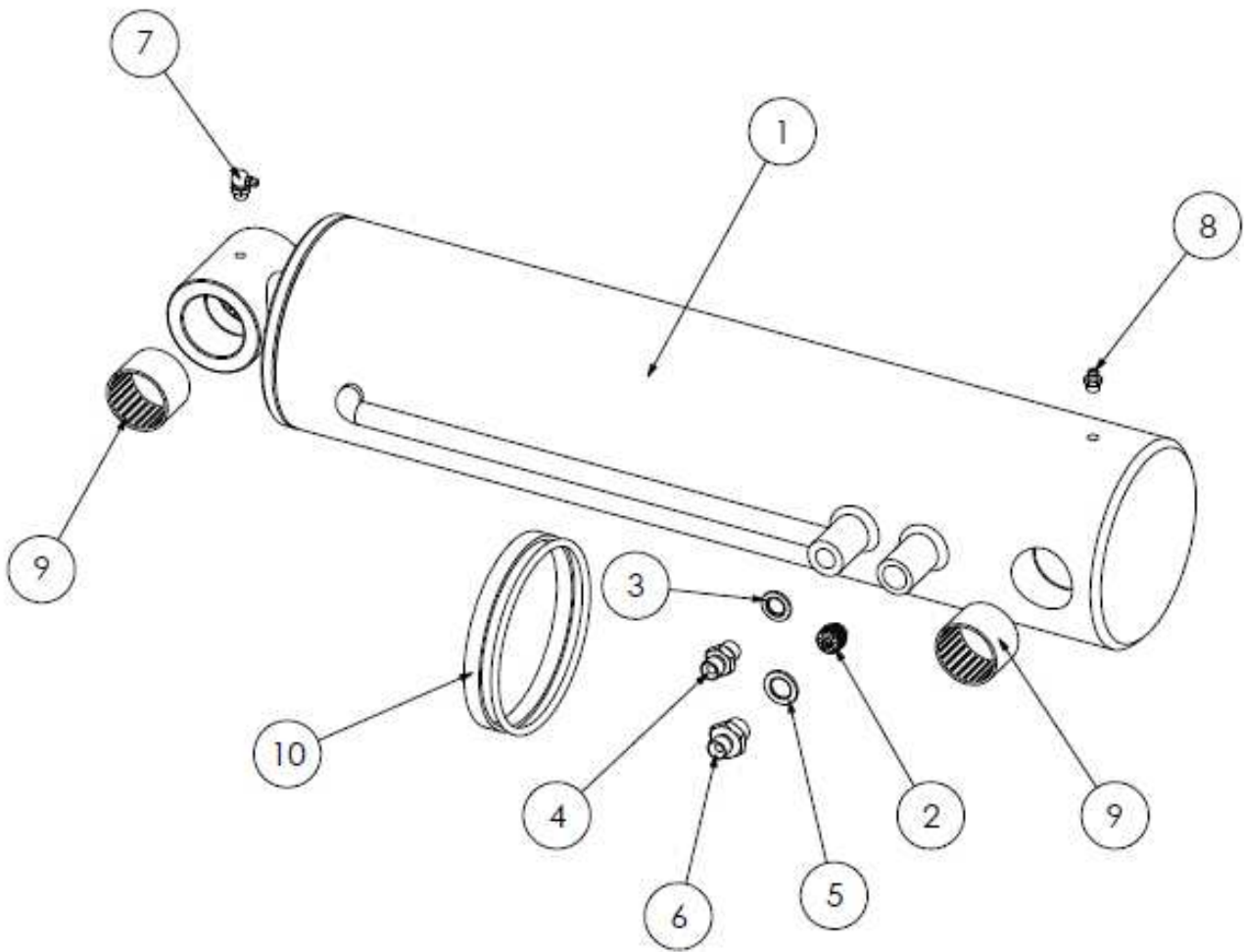
SLEW RAM - 5180009.54



| REF NO. | PART NO. | QTY. | DESCRIPTION |
|---------|------------|------|-------------------------|
| 1 | 3580666 | 1 | SLEW RAM |
| 5 | 3260071 | 1 | 3/8" BONDED SEAL |
| 6 | 3360083 | 1 | 3/8" M - 1/4" M ADAPTOR |
| 7 | 01.070.04 | 2 | 1/8 ST GREASE NIPPLE |
| 8 | 4600412 | 2 | BUSH |
| 9 | 4600414 | 2 | BUSH |
| 10 | 3580666.01 | 1 | SEAL KIT |

Spearhead ORBITAL

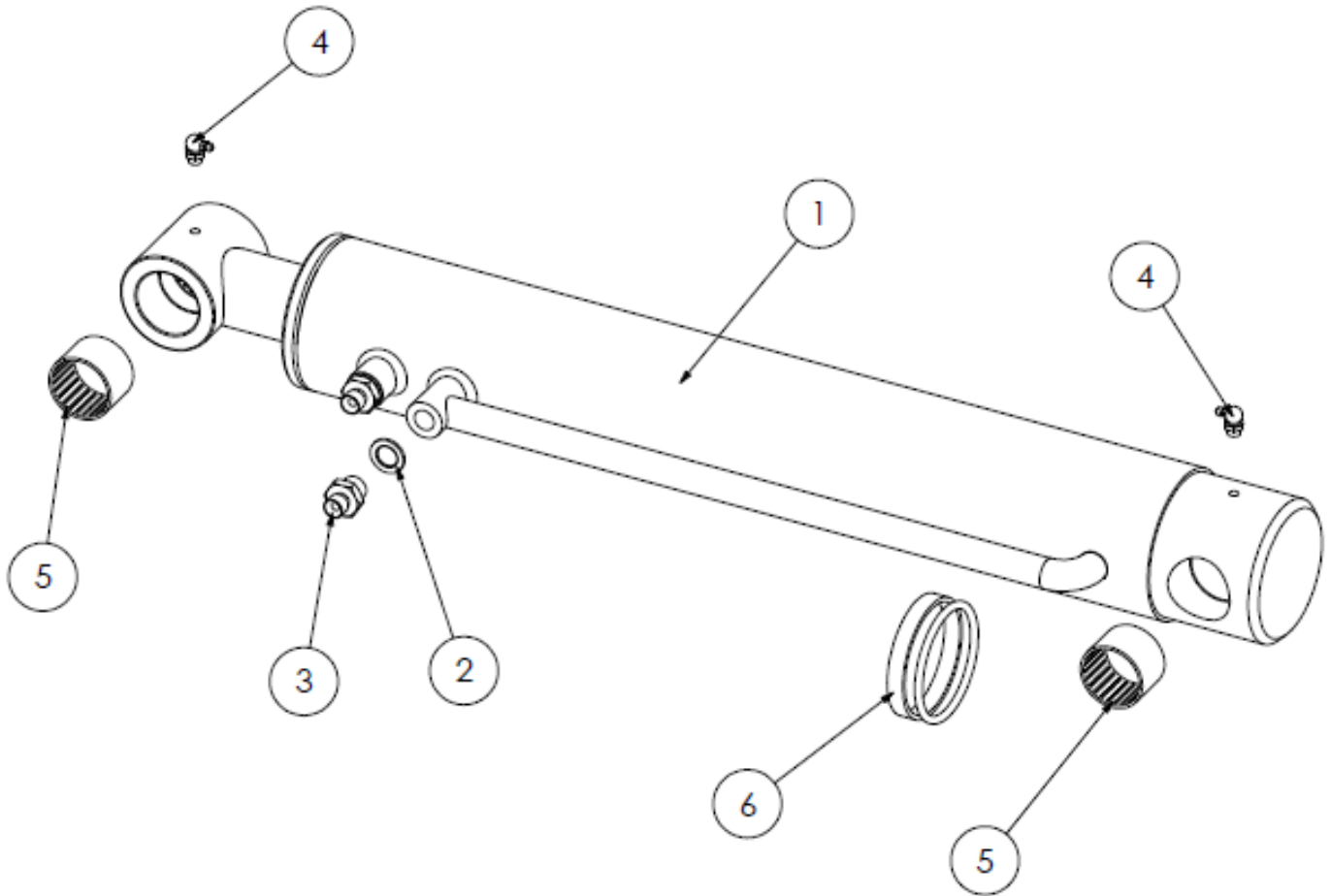
LIFT RAM - S180009.48



| REF NO. | PART NO. | QTY. | DESCRIPTION |
|---------|-----------|------|-------------------------|
| 1 | 3580668 | 1 | LIFT RAM |
| 2 | 3600118 | 1 | HOSE BURST |
| 3 | 3260070 | 1 | 1/4" BONDED SEAL |
| 4 | 3360080 | 1 | 1/4" M-M ADAPTOR |
| 5 | 3260071 | 1 | 3/8" BONDED SEAL |
| 6 | 3360083 | 1 | 3/8" M - 1/4" M ADAPTOR |
| 7 | 2770502 | 1 | 1/8 90 GREASE NIPPLE |
| 8 | 01.070.04 | 1 | 1/8 ST GREASE NIPPLE |
| 9 | 42654.04 | 4 | BUSH |
| 10 | 3570675HP | 1 | SEAL KIT |

Spearhead ORBITAL

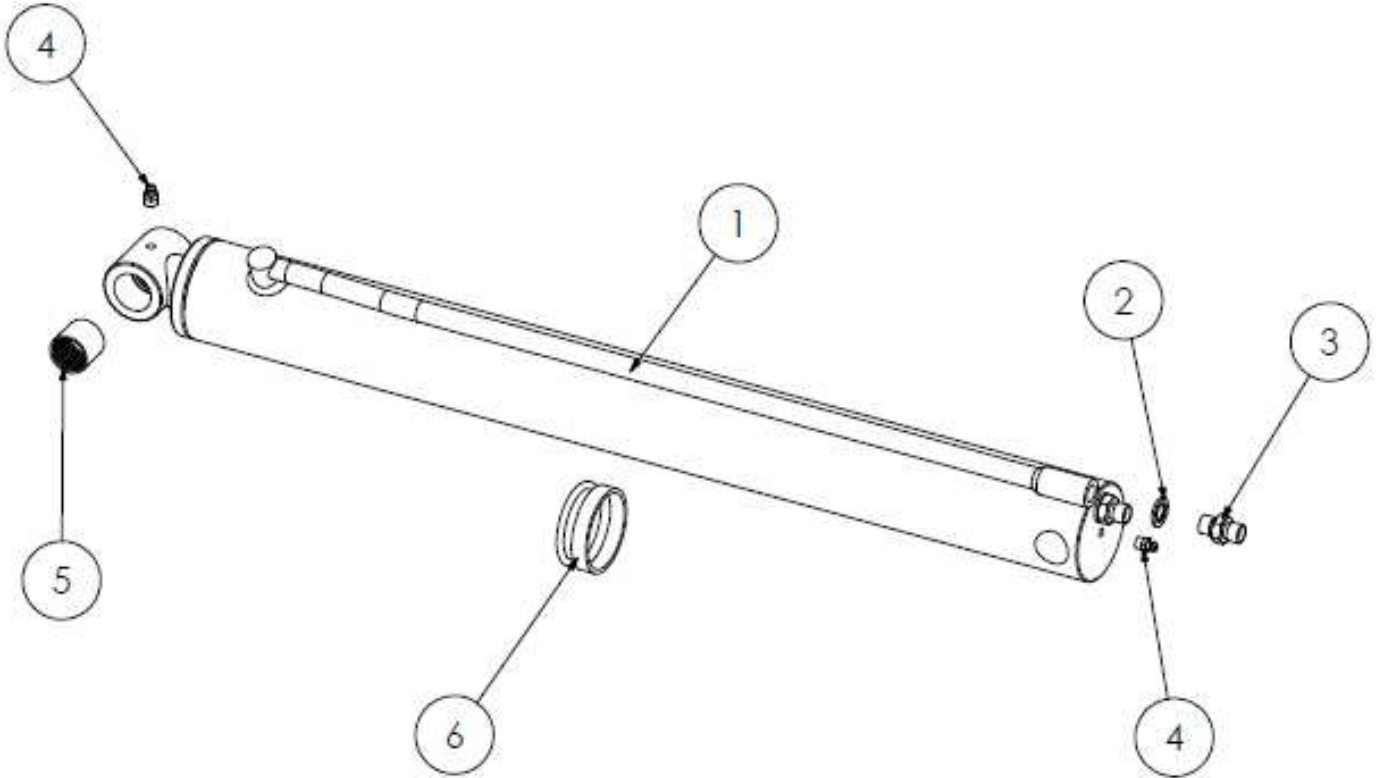
DIPPER RAM – S180009.49



| REF NO. | PART NO. | QTY. | DESCRIPTION |
|---------|-----------|------|-------------------------|
| 1 | 3580667 | 1 | RAM |
| 2 | 3260071 | 2 | 3/8" BONDED SEAL |
| 3 | 3360083 | 2 | 3/8" M - 1/4" M ADAPTOR |
| 4 | 01.070.04 | 2 | 1/8" ST GREASE NIPPLE |
| 5 | 2770502 | 1 | 1/8" 90° GREASE NIPPLE |
| 6 | 42654.04 | 2 | BUSH |
| 7 | 711208 | 2 | BUSH |
| 8 | 3570663HP | 1 | SEAL KIT |

Spearhead ORBITAL

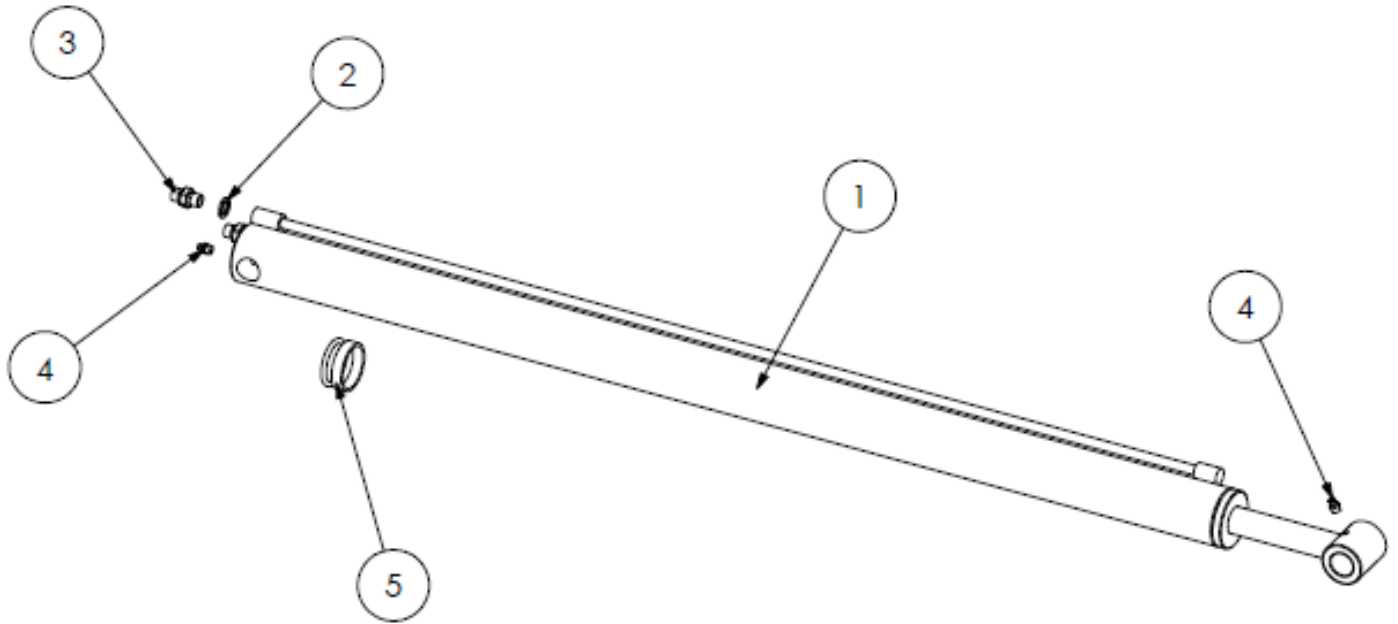
HEAD RAM - S180032.29



| REF NO. | PART NO. | QTY. | DESCRIPTION |
|---------|-----------|------|-----------------------|
| 1 | 3580636 | 1 | HEAD RAM |
| 2 | 3260070 | 2 | 1/4" BONDED SEAL |
| 3 | 3360080 | 2 | 1/4" M-M |
| 4 | 01.070.04 | 2 | 1/8" ST GREASE NIPPLE |
| 5 | 4600413 | 2 | BUSH |
| 6 | 3570666HP | 1 | SEAL KIT |

Spearhead ORBITAL

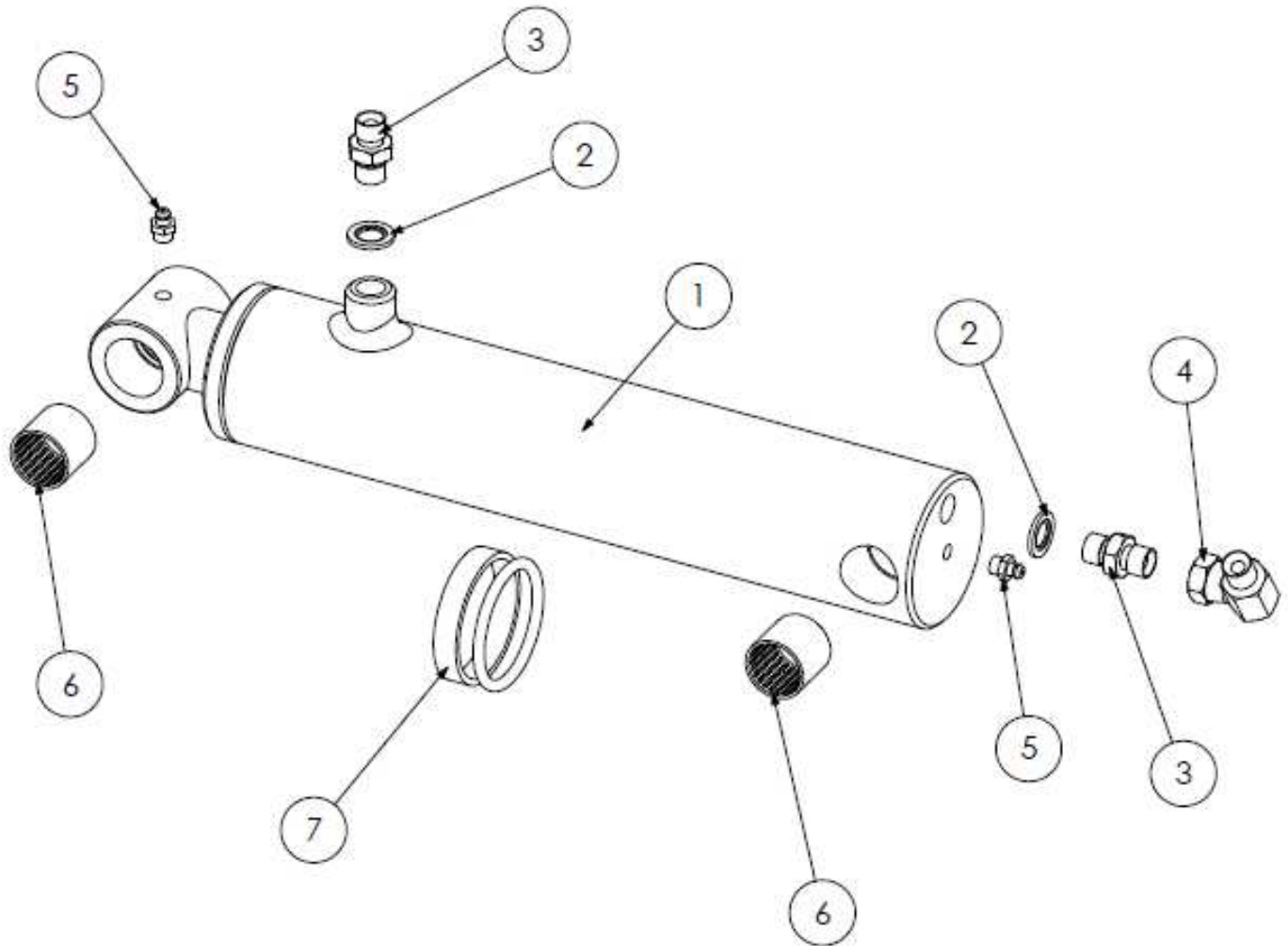
726T TELE RAM - S180028.28
836T TELE RAM - S180035.36



| REF NO. | PART NO. | QTY. | DESCRIPTION |
|---------|-----------|------|-----------------------|
| 1 | 3580654A | 1 | 726T RAM |
| 1 | 3580662 | 1 | 836T RAM |
| 2 | 3260070 | 2 | 1/4" BONDED SEAL |
| 3 | 3360080 | 2 | 1/4" M-M ADAPTOR |
| 4 | 01.070.04 | 2 | 1/8" ST GREASE NIPPLE |
| 5 | 3570665HP | - | SEAL KIT |

Spearhead ORBITAL

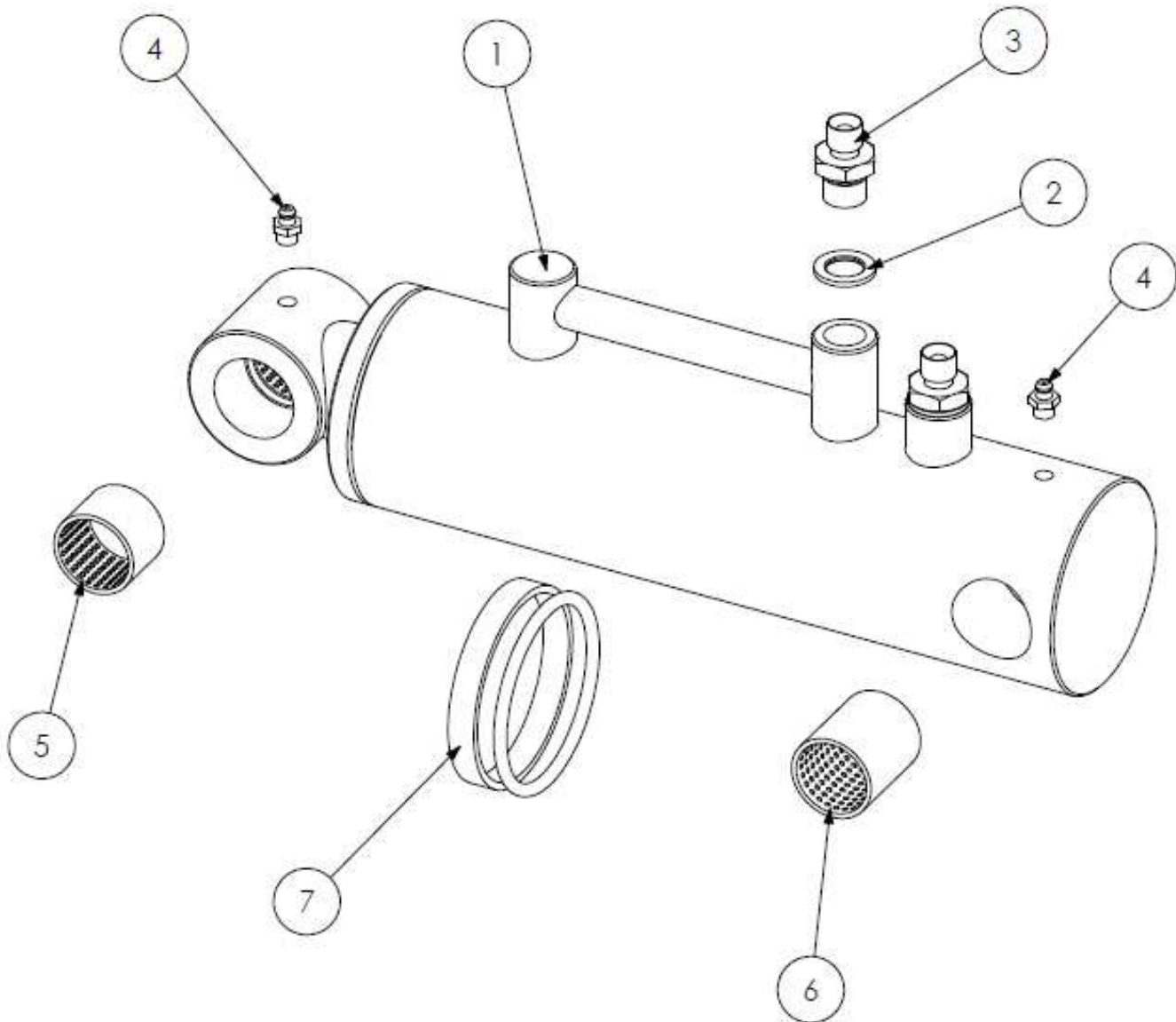
HEAD SLEW RAM - S180009.51



| REF NO. | PART NO. | QTY. | DESCRIPTION |
|---------|-----------|------|----------------------|
| 1 | 3580656 | 1 | HEAD SLEW RAM |
| 2 | 3260070 | 2 | 1/4" BONDED SEAL |
| 3 | 3360080 | 2 | 1/4" M-M ADAPTOR |
| 4 | 3460107 | 1 | 1/4" COMPACT 90 |
| 5 | 01.070.04 | 2 | 1/8 ST GREASE NIPPLE |
| 6 | 4600413 | 4 | BUSH |
| 7 | 3570666W | 1 | SEAL KIT |

Spearhead ORBITAL

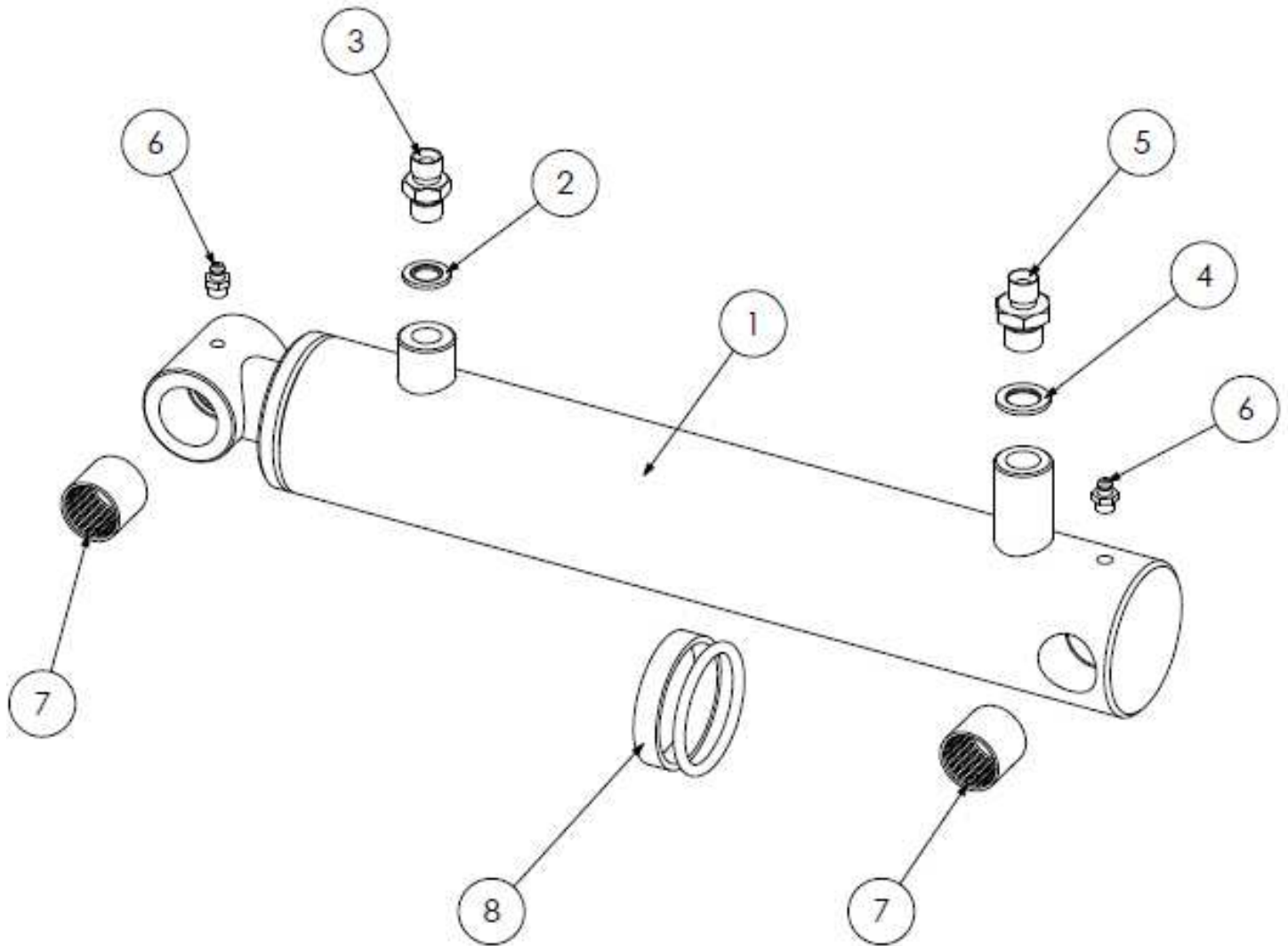
WHEEL CARRIAGE RAM - S180009.52



| REF NO. | PART NO. | QTY. | DESCRIPTION |
|---------|-----------|------|-------------------------|
| 1 | 3580676 | 1 | WHEEL CARRIAGE RAM |
| 2 | 3260071 | 2 | 3/8" BONDED SEAL |
| 3 | 3360083 | 2 | 3/8" M - 1/4" M ADAPTOR |
| 4 | 01.070.04 | 2 | 1/8 ST GREASE NIPPLE |
| 5 | 4600412 | 2 | BUSH |
| 6 | 4600414 | 2 | BUSH |
| 7 | 3570664W | 1 | SEAL KIT |

Spearhead ORBITAL

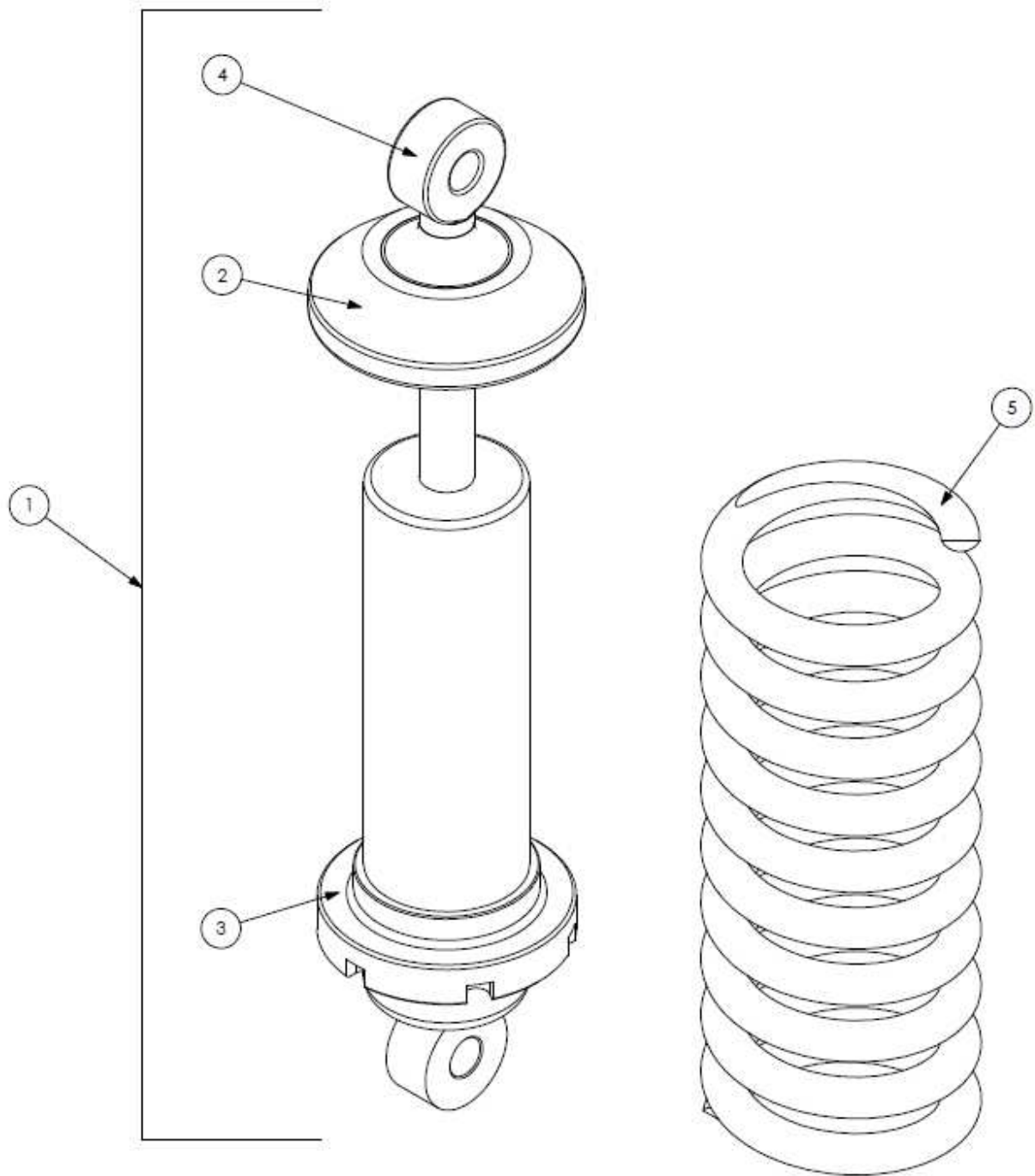
HEAD ANGLE RAM - S180009.53



| REF NO. | PART NO. | QTY. | DESCRIPTION |
|---------|-----------|------|-------------------------|
| 1 | 3580651 | 1 | HEAD ANGLE RAM |
| 2 | 3260070 | 1 | 1/4" BONDED SEAL |
| 3 | 3360080 | 1 | 1/4" M-M ADAPTOR |
| 4 | 3260071 | 1 | 3/8" BONDED SEAL |
| 5 | 3360083 | 1 | 3/8" M - 1/4" M ADAPTOR |
| 6 | 01.070.04 | 2 | 1/8 ST GREASE NIPPLE |
| 7 | 4600413 | 4 | BUSH |
| 8 | 3570666W | 1 | SEAL KIT |

Spearhead ORBITAL

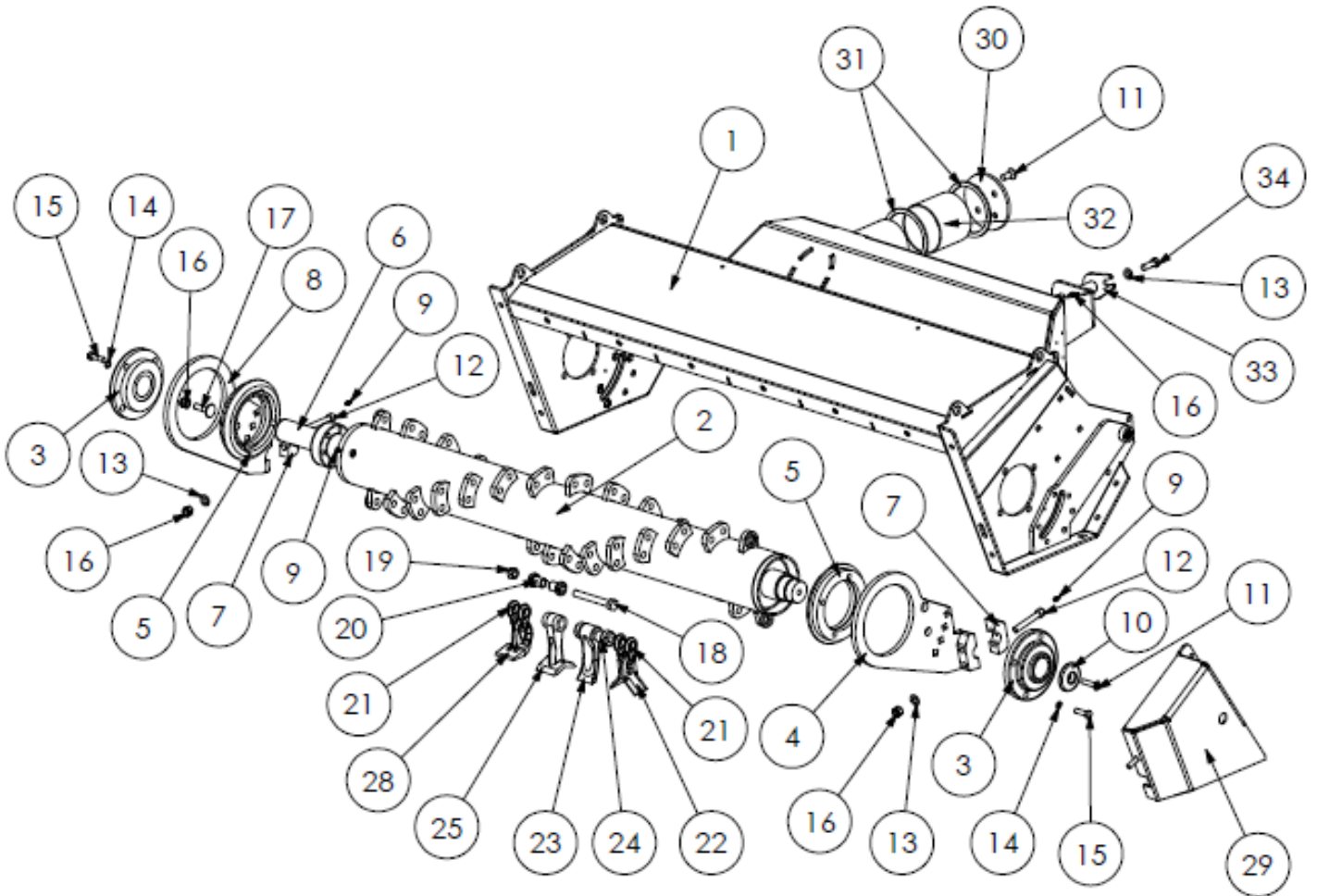
AUTOPILOT DAMPER



| REF NO. | PART NO. | QTY. | DESCRIPTION |
|---------|-----------|------|-------------------|
| 1 | 8770600 | 1 | DAMPER |
| 2 | 8770600/1 | 1 | TOP COLLET |
| 3 | 8770600/2 | 1 | THREADED COLLET |
| 4 | 8770600/3 | 1 | SPHERICAL BEARING |
| 5 | 8770601 | 1 | SPRING |

Spearhead ORBITAL

C FLAIL ROTOR & HEAD - S180009.03
BOOT FLAIL ROTOR & HEAD - S180009.23
T FLAIL ROTOR & HEAD - S180009.24



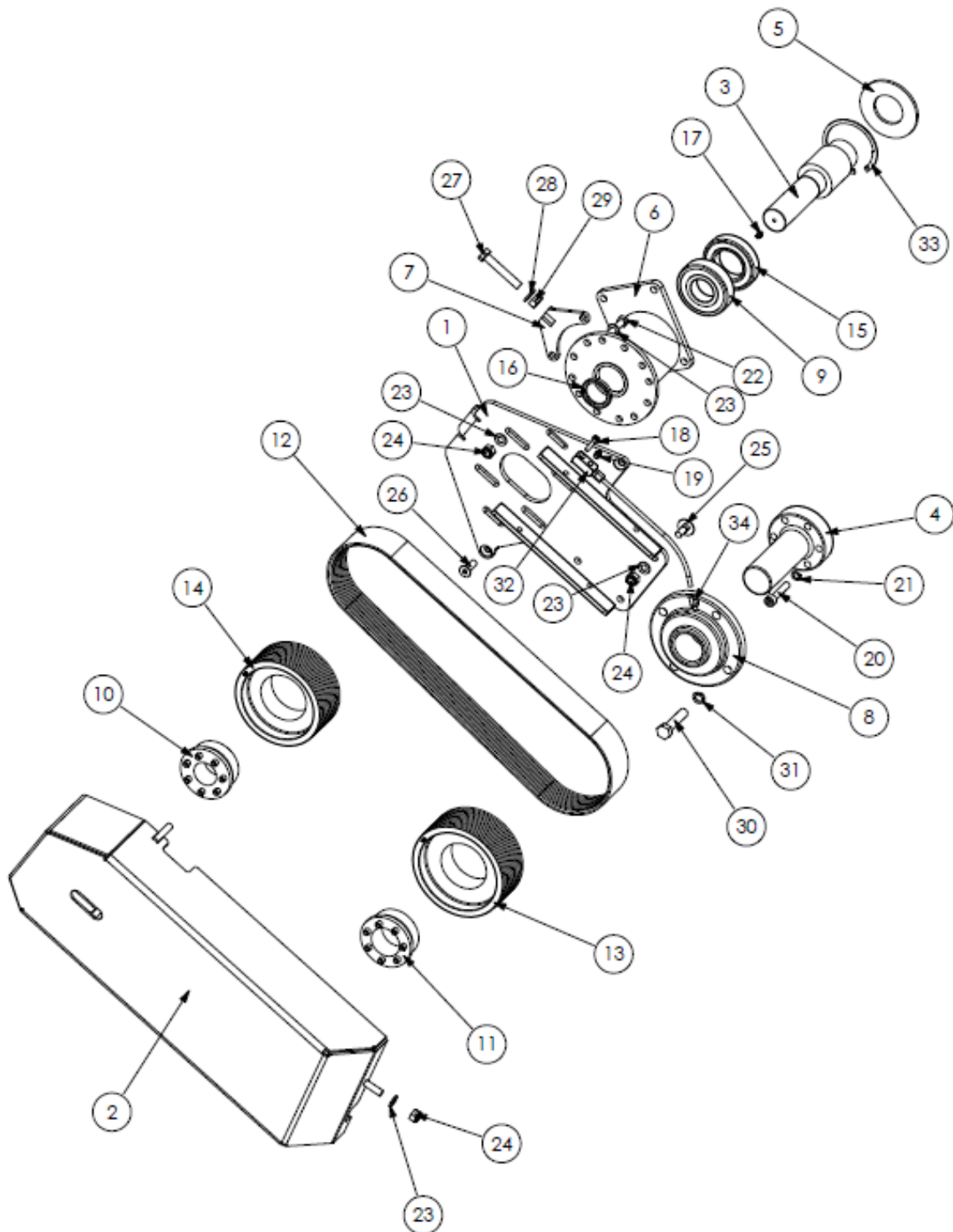
Spearhead ORBITAL

C FLAIL ROTOR & HEAD - S180009.03
 BOOT FLAIL ROTOR & HEAD - S180009.23
 T FLAIL ROTOR & HEAD - S180009.24

| REF NO. | PART NO. | QTY. | DESCRIPTION |
|---------|-----------|------|------------------------------|
| 1 | 1778043CO | 1 | HEAD SHELL |
| 2 | 1777514H | 1 | C FLAIL ROTOR |
| 2 | 1777514I | 1 | BOOT FLAIL ROTOR |
| 2 | 1777514B | 1 | T FLAIL ROTOR |
| 3 | 4770858 | 1 | BEARING |
| 4 | 1778060LA | 1 | ADJUSTABLE ROLLER PLATE – LH |
| 5 | 040001B | 2 | ROTOR BEARING PROTECTION |
| 6 | 1771536B | 1 | BELT DRIVE END |
| 7 | 04000D | 2 | ROLLER CLAMP |
| 8 | 1778060RA | 1 | ADJUSTABLE ROLLER PLATE – RH |
| 9 | 2770467 | 4 | M6 ST GREASE NIPPLE |
| 10 | 1777208 | 1 | RETAINING WASHER - 65mm |
| 11 | 2770506 | 5 | M12 X 30 SKT CSK SCREW |
| 12 | 2770347 | 4 | M12 X 80 SKT CAP BOLT |
| 13 | 2770436 | 7 | M12 FLAT WASHER |
| 14 | 2770457 | 8 | M14 SPRING WASHER |
| 15 | 2770611 | 8 | M14 X 45 BOLT |
| 16 | 2770417 | 7 | M12 NYLOCK NUT |
| 17 | 05.839.39 | 2 | M12 X 50 COACH BOLT |
| 18 | 2770599 | 28 | FLAIL BOLT |
| 19 | 05.968.06 | 28 | FLAIL NUT |
| 20 | 180489 | 56 | FLAIL BUSH |
| 21 | 7770722 | 28 | SHACKLE |
| 22 | 7190166 | 56 | BACK TO BACK FLAIL |
| 23 | 46398.01 | 28 | 'C' FLAIL |
| 24 | 180928 | 56 | 'C' FLAIL BUSH |
| 25 | 7770713 | 28 | 'T' FLAIL |
| 28 | 7770723A | 28 | BOOT FLAIL |
| 29 | 1778061L | 1 | NON DRIVE END GUARD |
| 30 | 1777646 | 1 | CAP PLATE |
| 31 | 1777647 | 2 | THRUST WASHER |
| 32 | 4600142 | 1 | BUSH |
| 33 | 1778037 | 1 | PEAR PIN: 25.4 X 114 mm |
| 34 | 2770535 | 1 | M12 X 35 BOLT |

Spearhead ORBITAL

BELT DRIVE - S180009.25



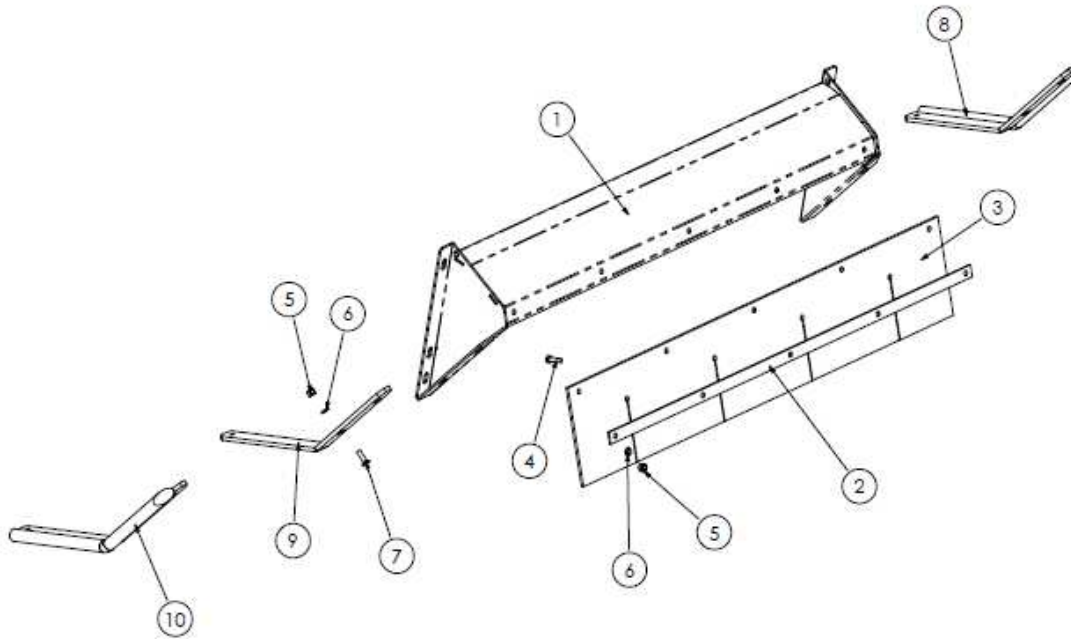
Spearhead ORBITAL

BELT DRIVE - S180009.25

| REF NO. | PART NO. | QTY. | DESCRIPTION |
|---------|-----------|------|--------------------------------|
| 1 | 1800146 | 1 | RH BELT DRIVE BACK PLATE |
| 2 | 1800148 | 1 | RH BELT GUARD |
| 3 | 1800282 | 1 | PULLEY SUPPORT STUB SHAFT |
| 4 | 1771536B | 1 | ROTOR STUB SHAFT |
| 5 | 1777806A | 1 | SPIGGOT WASHER |
| 6 | 1777920B | 1 | PULLEY SUPPORT BEARING HOUSING |
| 7 | 1777939 | 1 | ADJUSTER PLATE |
| 8 | 4770858 | 1 | ROTOR BEARING |
| 9 | 4770872 | 1 | BEARING |
| 10 | 4770921 | 1 | CLAMPING ELEMENT |
| 11 | 4770922 | 1 | CLAMPING ELEMENT |
| 12 | 4770949 | 1 | BELT |
| 13 | 4770948 | 1 | PULLEY (160) |
| 14 | 4770947 | 1 | PULLEY (150) |
| 15 | 4771607 | 1 | BEARING |
| 16 | 4771505 | 1 | OIL SEAL |
| 17 | 2770467 | 1 | M6 ST GREASE NIPPLE |
| 18 | 2770371 | 1 | M6 X 20 SKT CAP BOLT |
| 19 | 01.070.04 | 1 | 1/8" ST GREASE NIPPLE |
| 20 | 2772293 | 6 | M10 X 50 SKT CAP BOLT |
| 21 | 2770469 | 6 | M10 SPRING WASHER |
| 22 | 2772283 | 4 | M10 X 45 BOLT |
| 23 | 2770434 | 8 | M10 WASHER |
| 24 | 2770412 | 8 | M10 NYLOCK NUT |
| 25 | 2770615 | 4 | M10 X 35 COACH BOLT |
| 26 | 2770520 | 2 | M10 X 30 SKT CSK SCREW |
| 27 | 2770382 | 1 | M12 X 70 BOLT |
| 28 | 2770436 | 1 | M12 FLAT WASHER |
| 29 | 2770536 | 1 | M12 FULL NUT |
| 30 | 2770546 | 4 | M14 X 60 BOLT |
| 31 | 2770457 | 4 | M14 SPRING WASHER |
| 32 | 2772307 | 1 | REMOTE GREASING PIPE |
| 33 | 2771109 | 1 | INTERNAL CIRCLIP |
| 34 | 2772314 | 1 | GREASE PIPE ADAPTOR |

Spearhead ORBITAL

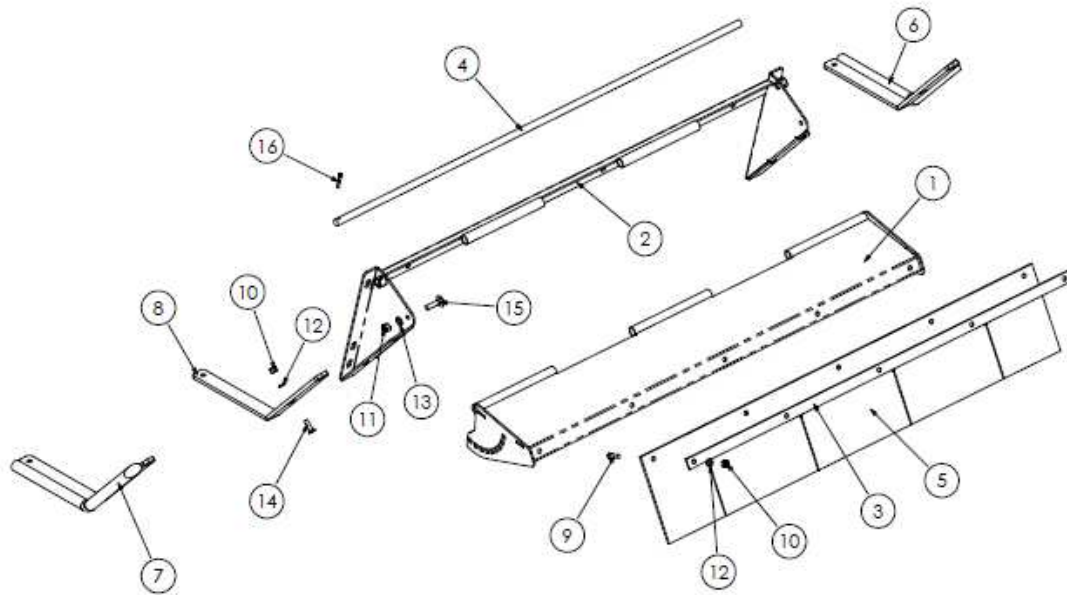
FIXED FRONT HOOD - S180009.3I



| REF NO. | PART NO. | QTY. | DESCRIPTION |
|---------|----------|------|------------------------|
| 1 | 1778066 | 1 | FRONT HOOD |
| 2 | 1777398 | 1 | RETAINING STRIP |
| 3 | 8400204 | 1 | RUBBER STRIP |
| 4 | 2770396 | 5 | M10 X 35 BOLT |
| 5 | 2770412 | 8 | M10 NYLOCK NUT |
| 6 | 2770434 | 8 | M10 FLAT WASHER |
| 7 | 2770509 | 6 | M10 X 40 SKT CSK SCREW |
| 8 | 1777544L | 1 | COWL WEAR PLATE LH |
| 9 | 1777544 | 2 | SKID |
| 10 | 1777544R | 1 | COWL WEAR PLATE RH |

Spearhead ORBITAL

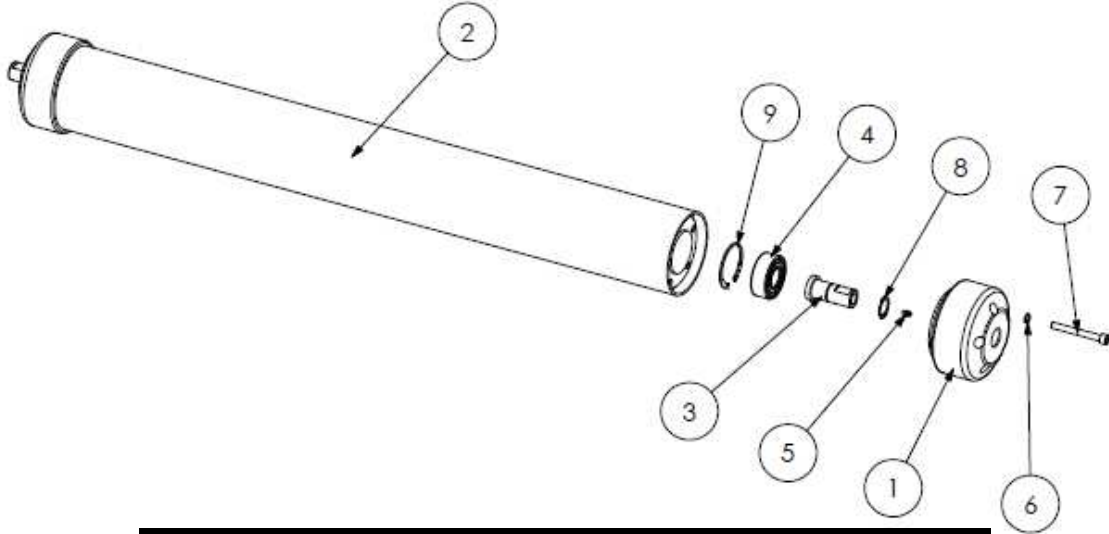
ADJUSTABLE FRONT HOOD - S180009.32



| REF NO. | PART NO. | QTY. | DESCRIPTION |
|---------|-----------|------|------------------------|
| 1 | 1778064 | 1 | FRONT HOOD |
| 2 | 1778065 | 1 | HOOD MOUNT BRACKET |
| 3 | 1777398 | 1 | RETAINING STRIP |
| 4 | 1777493A | 1 | HINGE BAR |
| 5 | 8400204 | 1 | RUBBER STRIP |
| 6 | 1777543L | 1 | COWL WEAR PLATE LH |
| 7 | 1777543R | 1 | COWL WEAR PLATE RH |
| 8 | 1777543 | 2 | SKID |
| 9 | 2770396 | 5 | M10 X 35 BOLT |
| 10 | 2770412 | 11 | M10 NYLOCK NUT |
| 11 | 2770417 | 2 | M12 NYLOCK NUT |
| 12 | 2770434 | 11 | M10 FLAT WASHER |
| 13 | 2770436 | 2 | M12 FLAT WASHER |
| 14 | 2770509 | 6 | M10 X 40 SKT CSK SCREW |
| 15 | 05.839.36 | 2 | M12 X 50 COACH BOLT |
| 16 | 05.284.27 | 1 | ROLL PIN |

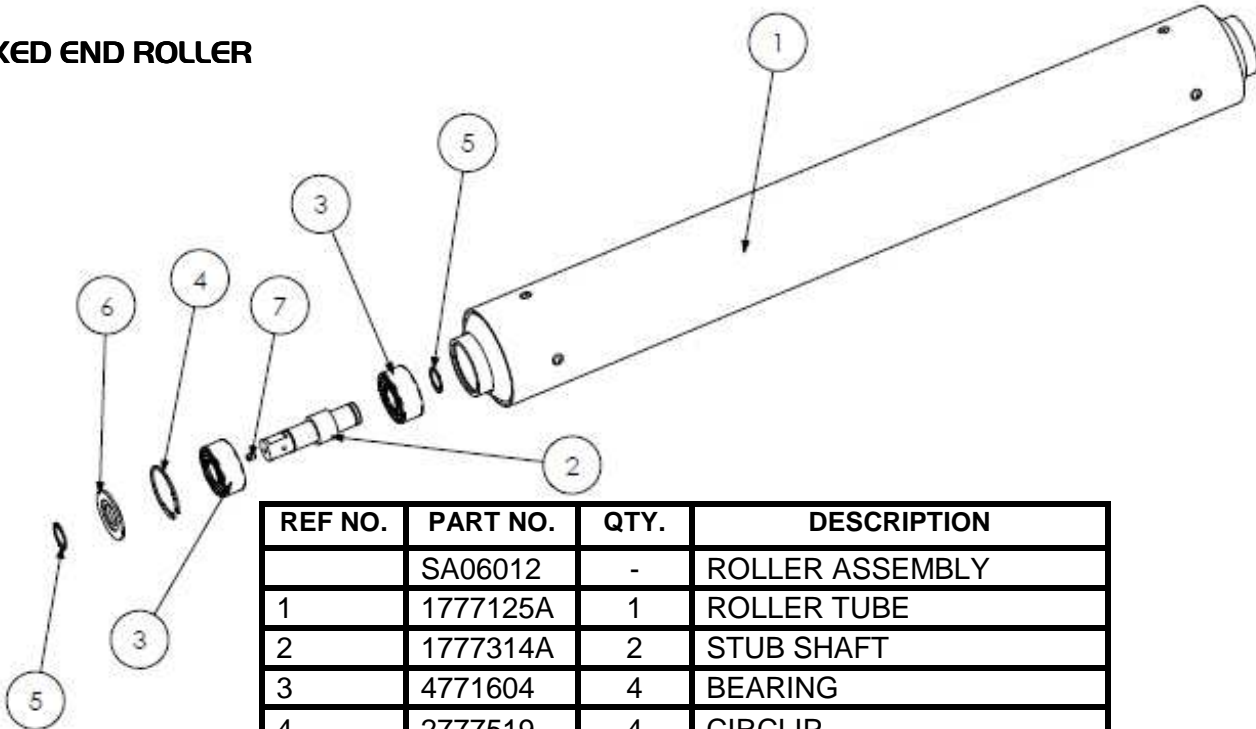
Spearhead ORBITAL

ROLLER - S180012.64



| REF NO. | PART NO. | QTY. | DESCRIPTION |
|---------|----------|------|-----------------------|
| | SA06212 | - | ROLLER ASSEMBLY |
| 1 | 180735 | 2 | END CAP |
| 2 | 180902 | 1 | ROLLER TUBE - 1.2M |
| 3 | 180785 | 2 | STUB SHAFT |
| 4 | 4771608 | 2 | BEARING |
| 5 | 2770467 | 2 | M6 ST GREASE NIPPLE |
| 6 | 2770469 | 10 | M10 SPRING WASHER |
| 7 | 2770482 | 10 | M10 X 90 SKT CAP BOLT |
| 8 | 2777519 | 2 | CIRCLIP |
| 9 | 2771108 | 2 | CIRCLIP |

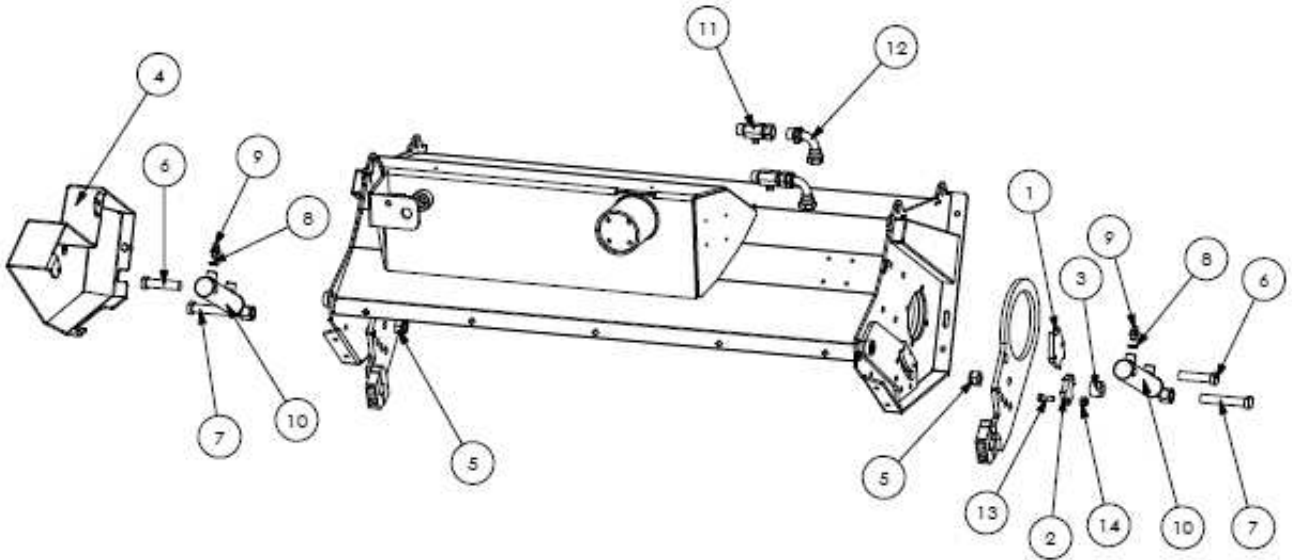
FIXED END ROLLER



| REF NO. | PART NO. | QTY. | DESCRIPTION |
|---------|----------|------|--------------------|
| | SA06012 | - | ROLLER ASSEMBLY |
| 1 | 1777125A | 1 | ROLLER TUBE |
| 2 | 1777314A | 2 | STUB SHAFT |
| 3 | 4771604 | 4 | BEARING |
| 4 | 2777519 | 4 | CIRCLIP |
| 5 | 2771108 | 2 | CIRCLIP |
| 6 | 1777231A | 2 | HUB COVER |
| 7 | 2770239 | 2 | M8 X 10 GRUB SCREW |

Spearhead ORBITAL

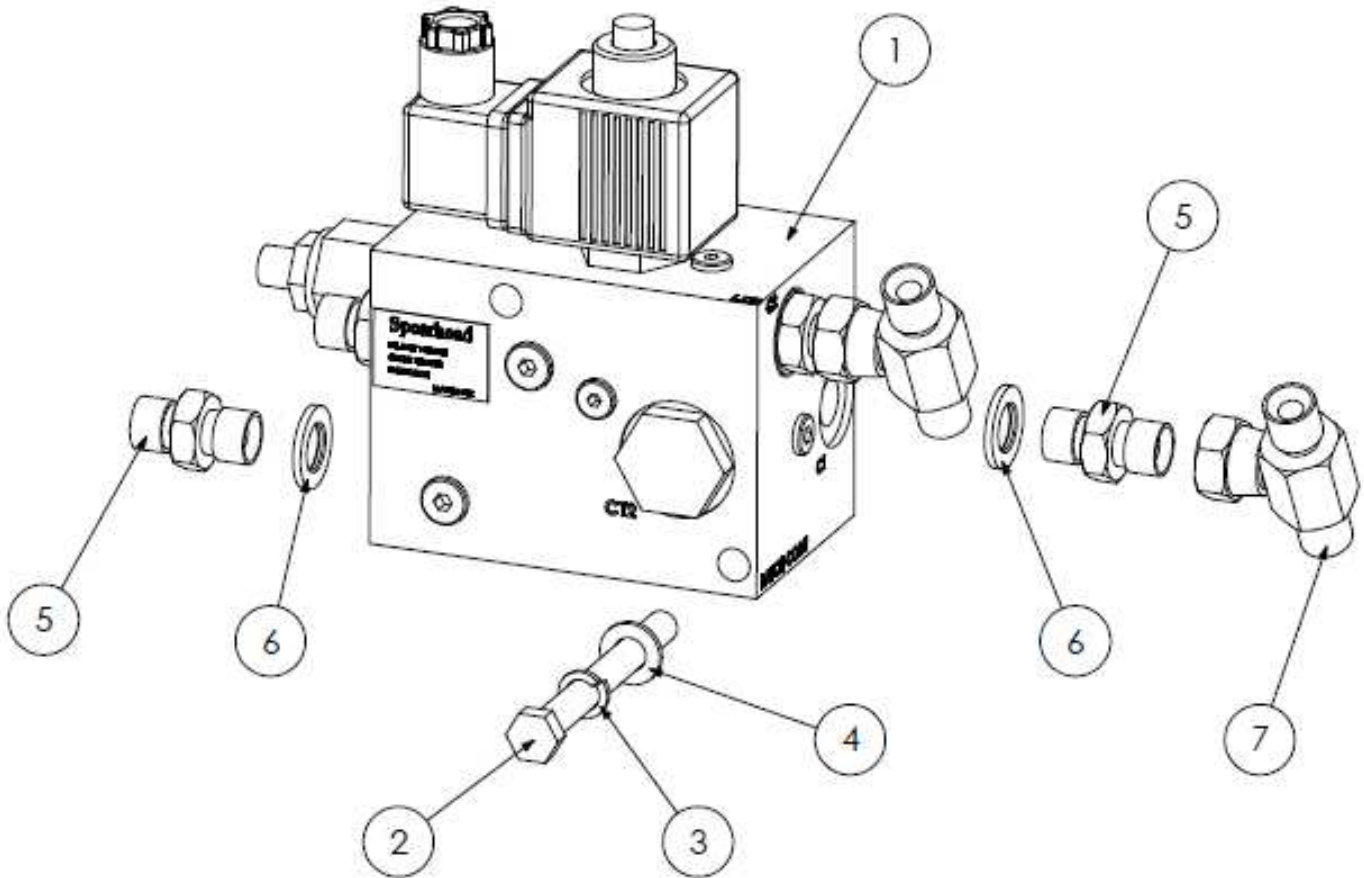
HYDRAULIC ROLLER - S180009.26



| REF NO. | PART NO. | QTY. | DESCRIPTION |
|---------|-----------|------|-------------------------|
| 1 | 1778058 | 2 | ROLLER STOP PLATE - LRG |
| 2 | 1778059 | 4 | ROLLER STOP PLATE - SM |
| 3 | 1778062 | 2 | SPACER BUSH |
| 4 | 180220 | 1 | RAM GUARD |
| 5 | 2770344 | 2 | M20 NYLOCK NUT |
| 6 | 2772308 | 2 | BASE END BOLT |
| 7 | 2772309 | 2 | ROD END BOLT |
| 8 | 3260070 | 4 | 1/4 BONDED SEAL |
| 9 | 3360080 | 4 | 1/4 M-M |
| 10 | 3580664WH | 2 | RAM |
| 11 | 3700166 | 2 | TEE ADAPTOR |
| 12 | T3400 | 2 | 3/4 ELBOW |
| 13 | 2770421 | 4 | M10 X 30 BOLT |
| 14 | 2770412 | 4 | M10 NYLOCK |
| 15 | 3750702 | 1 | HOSE KIT |
| 16 | 43543.07 | 1 | HOSE SLEEVE - LRG |
| 17 | 43543.12 | 2 | HOSE SLEEVE - SM |
| 18 | 8770654 | 1 | LOOM |

Spearhead ORBITAL

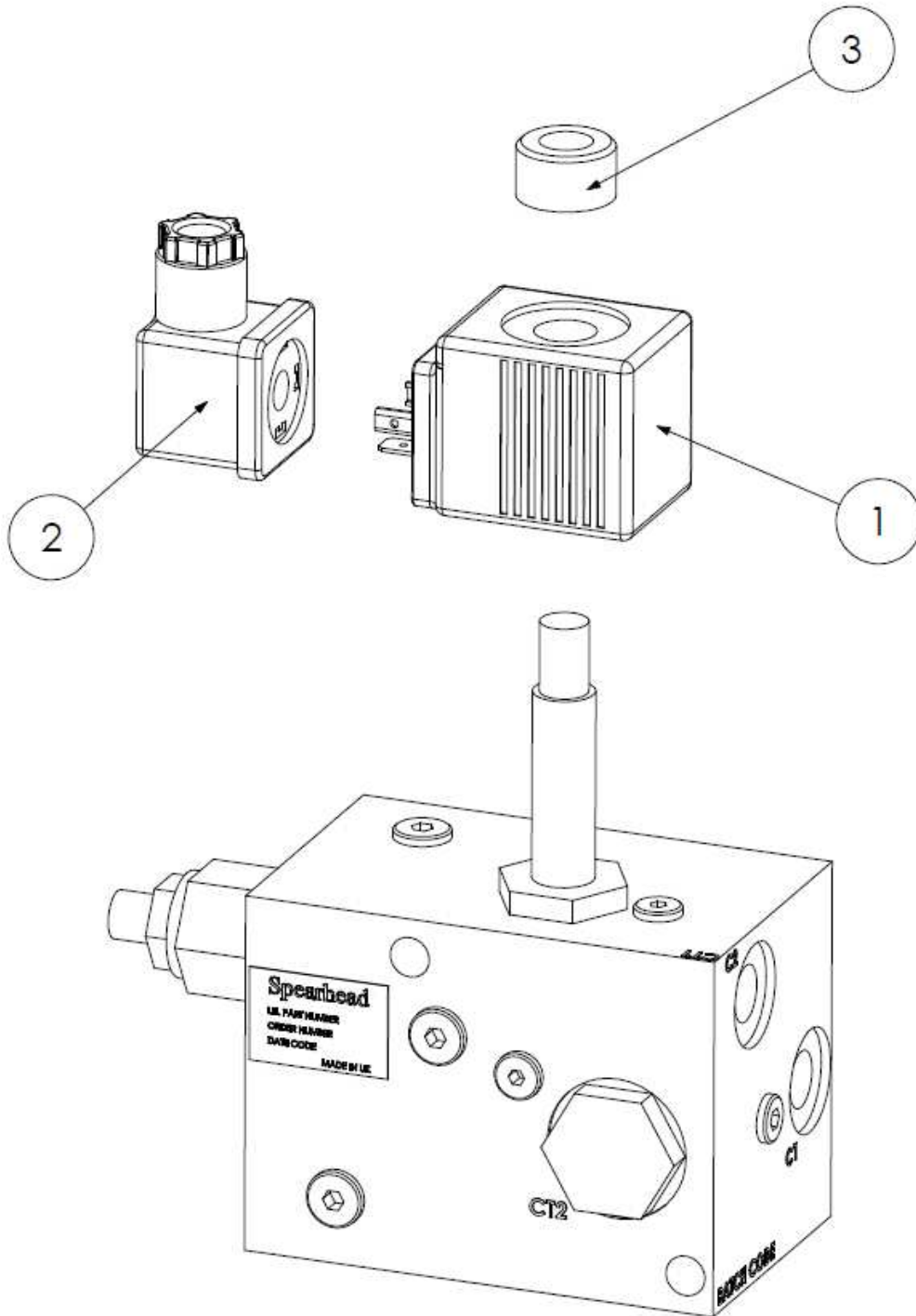
HYDRAULIC ROLLER VALVE ASSEMBLY - 5180018.28



| REF NO. | PART NO. | QTY. | DESCRIPTION |
|---------|----------|------|------------------|
| 1 | 3610082 | 1 | VALVE ASSEMBLY |
| 2 | 2772289 | 2 | M8 X 80 BOLT |
| 3 | 2770433 | 2 | M8 SPRING WASHER |
| 4 | 2770432 | 2 | M8 FLAT WASHER |
| 5 | 3360080 | 4 | 1/4" M-M |
| 6 | 3260070 | 4 | 1/4" BONDED SEAL |
| 7 | 3460101 | 2 | 1/4" TEE |

Spearhead ORBITAL

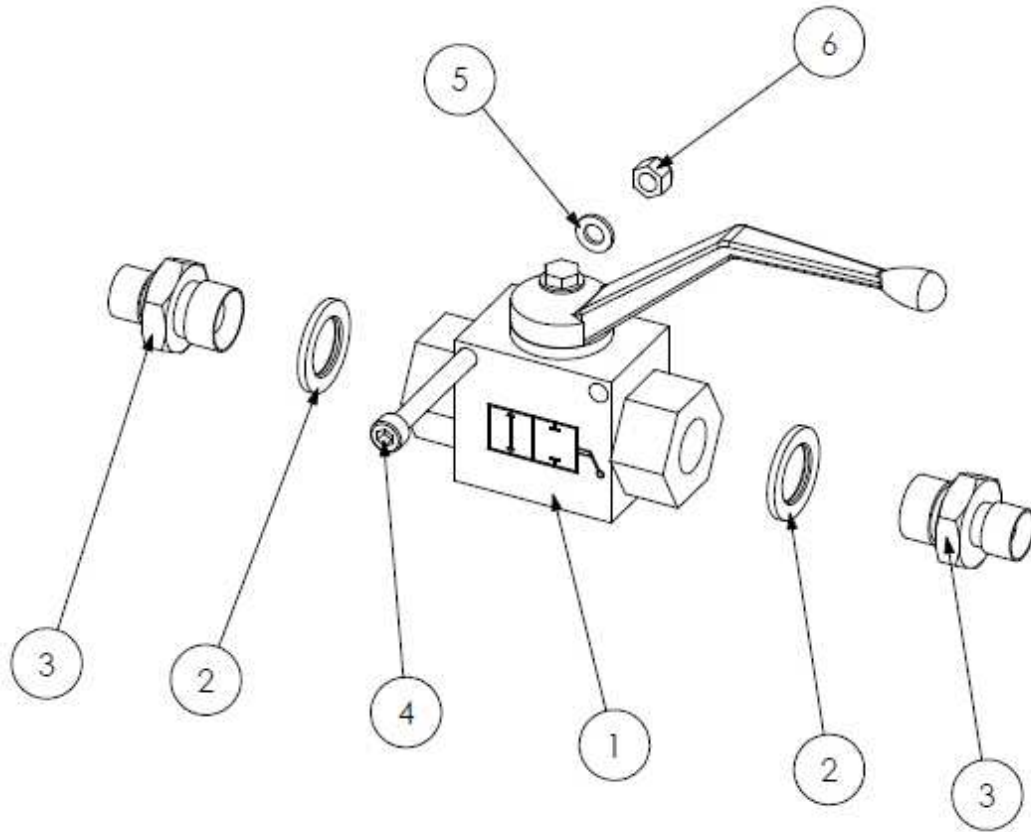
HYDRAULIC ROLLER VALVE



| REF NO. | PART NO. | QTY. | DESCRIPTION |
|---------|----------|------|----------------|
| | 3610082 | 1 | VALVE ASSEMBLY |
| 1 | 3610030A | 0 | COIL |
| 2 | 3610048 | 0 | DIN CONNECTOR |
| 3 | N/A | 1 | NUT |

Spearhead ORBITAL

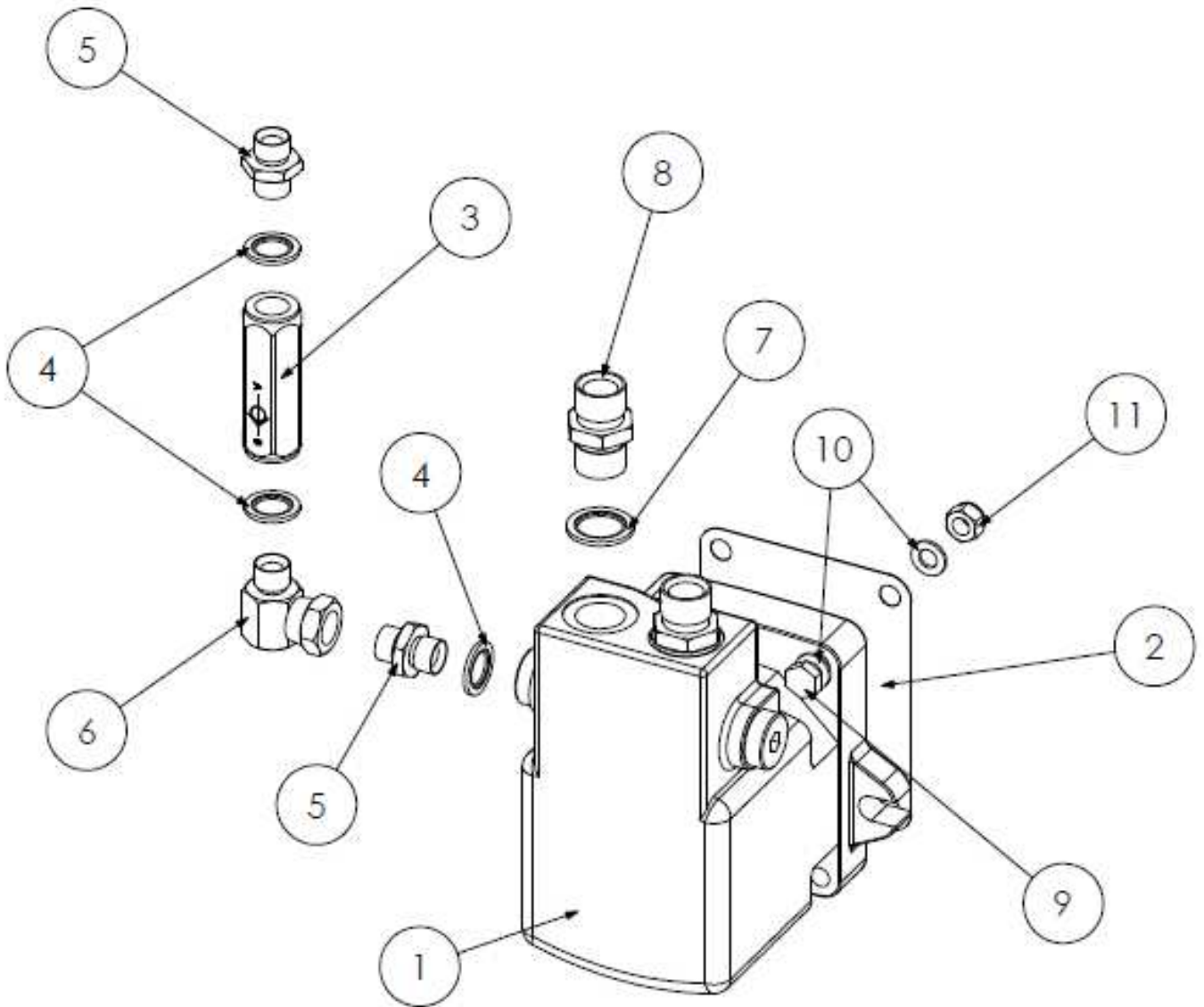
HEAD RAM SHUT OFF TAP – S180035.34



| REF NO. | PART NO. | QTY. | DESCRIPTION |
|---------|----------|------|-------------------------|
| 1 | 3600129 | 1 | 2 WAY BALL VALVE |
| 2 | 3260071 | 2 | 3/8" BONDED SEAL |
| 3 | 3360083 | 2 | 1/4" M - 3/8" M ADAPTOR |
| 4 | 9243102 | 2 | M5 X 50 SKT CAP SCREW |
| 5 | 2770391 | 2 | M5 FLAT WASHER |
| 6 | 2770394 | 2 | M5 NYLOCK |
| 7 | 8770416 | 1 | DECAL |

Spearhead ORBITAL

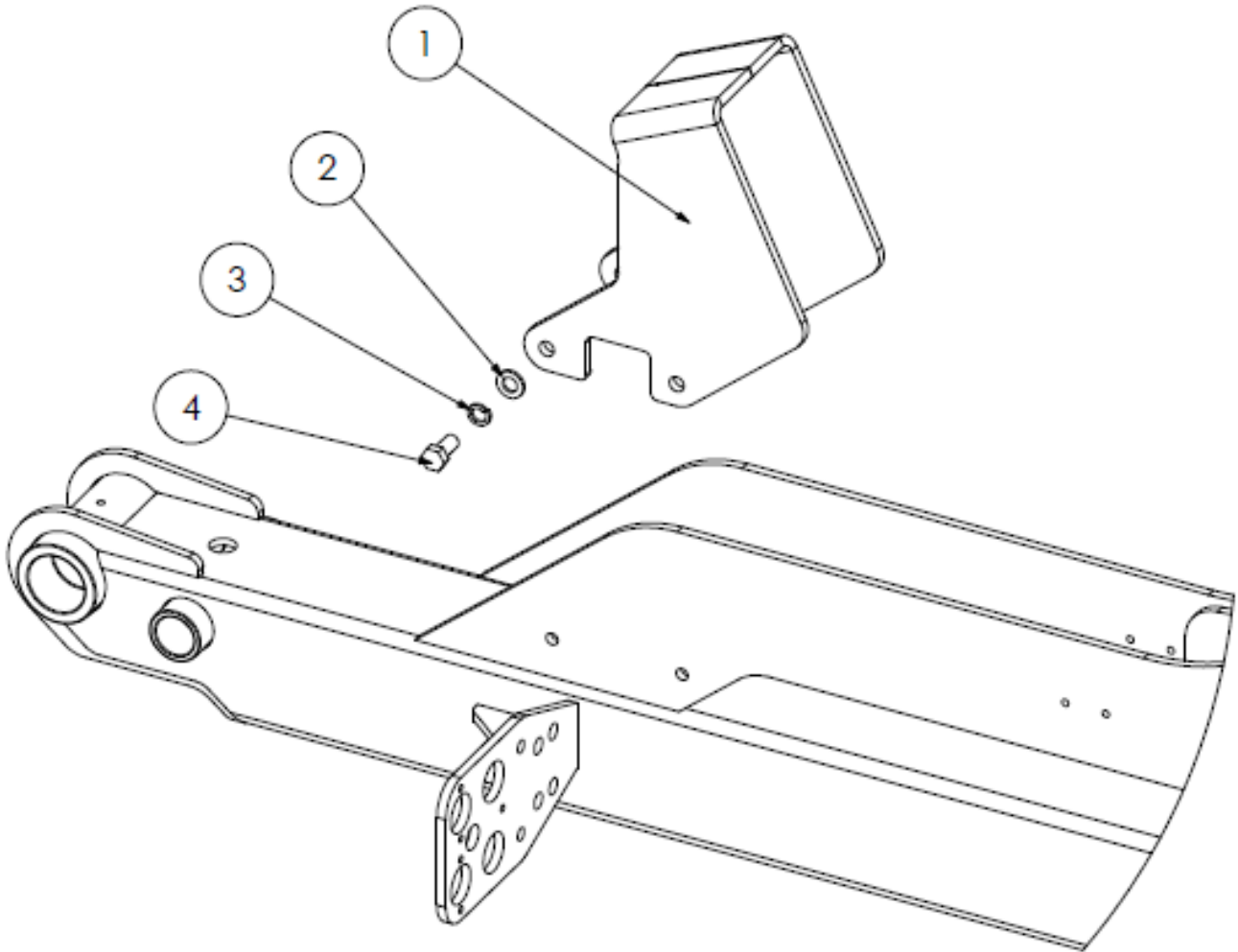
HEAD MOTOR - S180009.29



| REF NO. | PART NO. | QTY. | DESCRIPTION |
|---------|----------|------|------------------|
| 1 | 3151082 | 1 | MOTOR |
| 2 | 3151019 | 1 | GASKET |
| 3 | 3610039 | 1 | CHECK VALVE |
| 4 | 3260072 | 3 | 1/2" BONDED SEAL |
| 5 | 3460301 | 2 | 1/2" M-M |
| 6 | 3700193 | 1 | 1/2" COMP 90° |
| 7 | 3260073 | 2 | 3/4" BONDED SEAL |
| 8 | 3360090 | 2 | 3/4" M-M |
| 9 | 2772285 | 4 | M10 X 50 BOLT |
| 10 | 2770434 | 8 | M10 FLAT WASHER |
| 11 | 2770412 | 4 | M10 NYLOCK NUT |

Spearhead ORBITAL

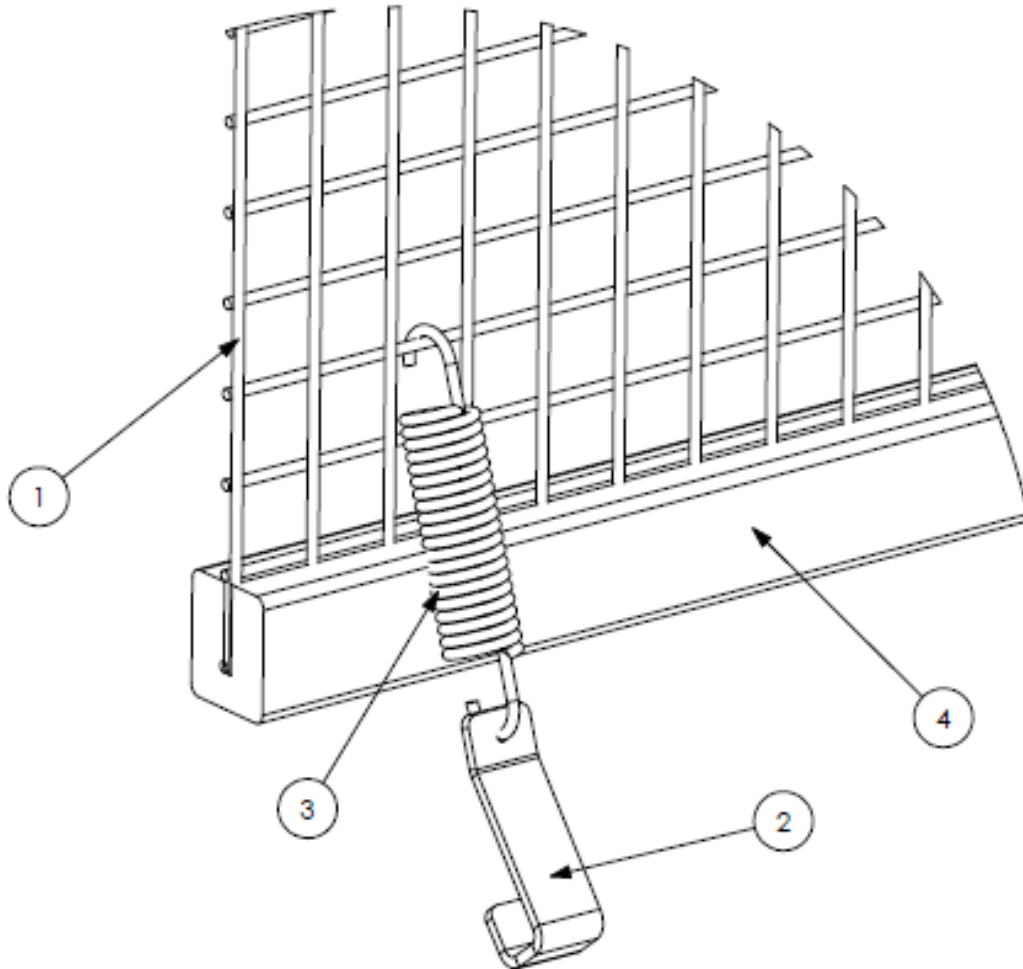
HEAD BUMP STOP - S180009.57



| REF NO. | PART NO. | QTY. | DESCRIPTION |
|---------|----------|------|-------------------|
| 1 | 1777648 | 1 | BUMP STOP BRACKET |
| 2 | 2770436 | 4 | M12 FLAT WASHER |
| 3 | 2770442 | 4 | M12 SPRING WASHER |
| 4 | 2770484 | 4 | M12 X 25 BOLT |

Spearhead ORBITAL

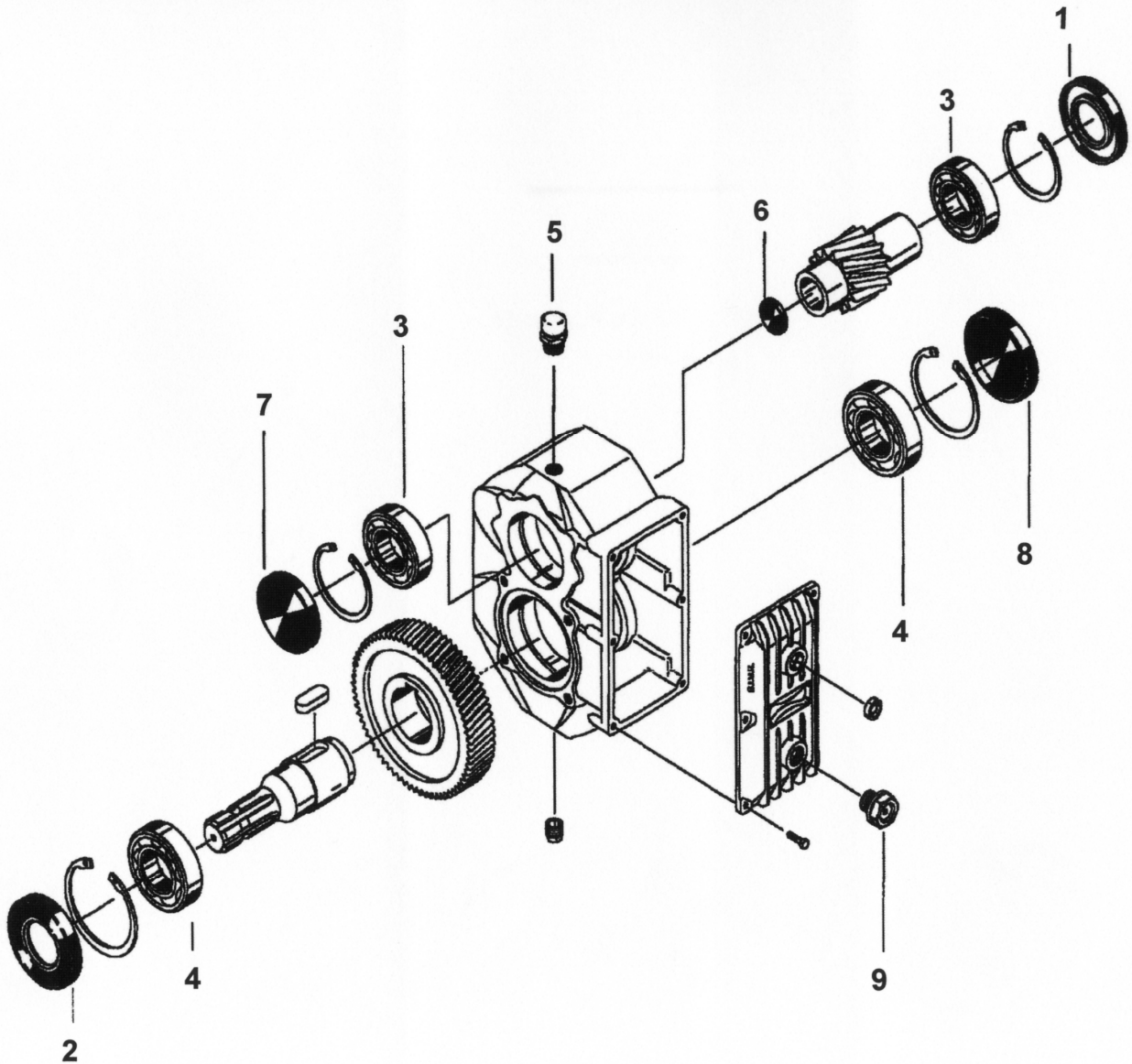
CAB GUARD KIT – S180028.53



| REF NO. | PART NO. | QTY. | DESCRIPTION |
|---------|----------|------|---------------|
| | OPT0603 | 2 | CAB GUARD KIT |
| 1 | 1777140 | 4 | MESH PANEL |
| 2 | 41745.01 | 20 | HOOK |
| 3 | 6310209 | 20 | SPRING |
| 4 | 8550134 | 2 | FOAM - 5M |

Spearhead ORBITAL

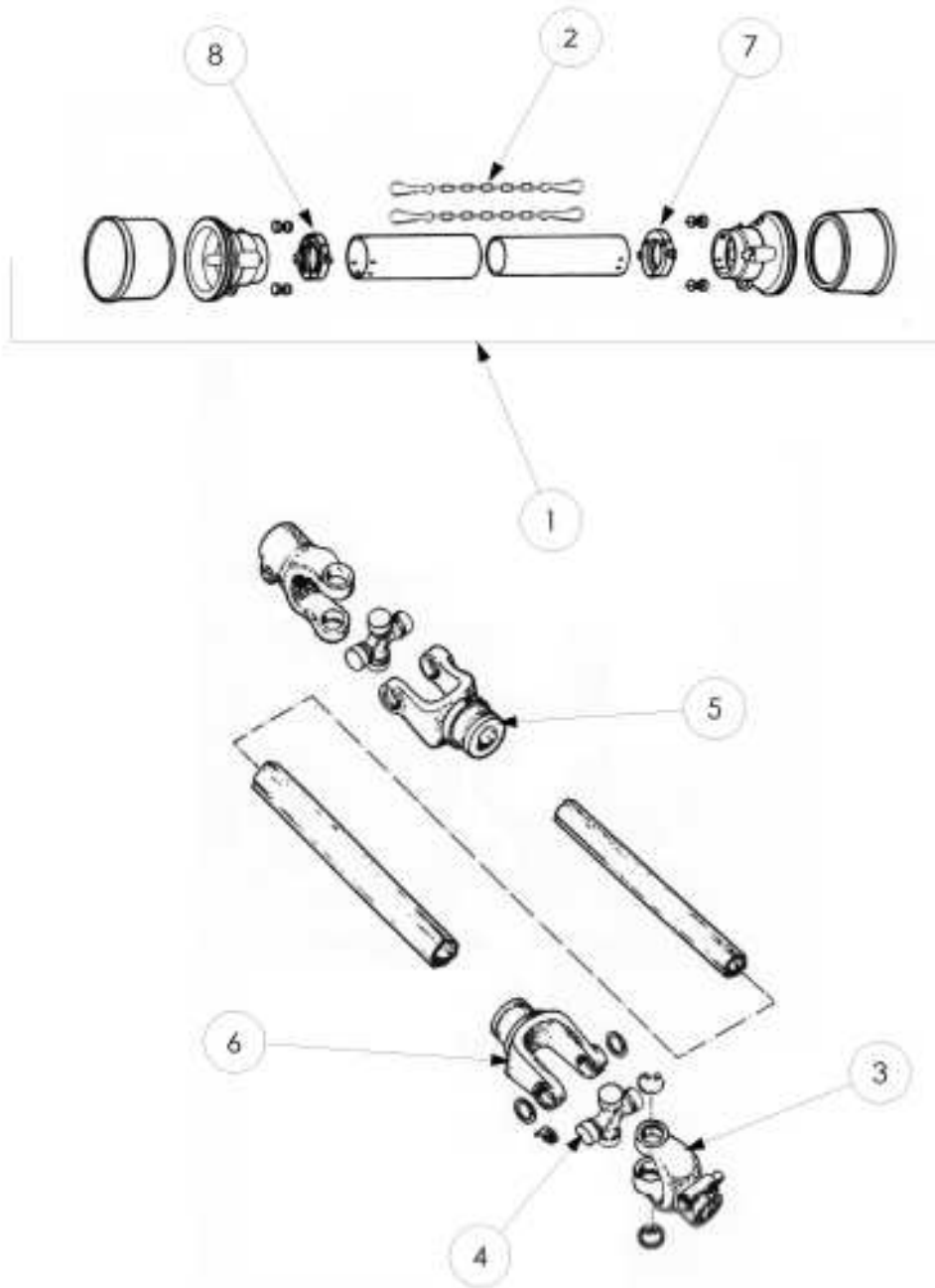
GEARBOX ASSEMBLY



| REF NO. | PART NO. | QTY. | DESCRIPTION |
|---------|----------|------|------------------|
| | 3151080 | - | GEARBOX ASSEMBLY |
| 1 | 4771119 | - | OIL SEAL |
| 2 | 5771613 | - | OIL SEAL |
| 3 | 4771605 | - | BEARING |
| 4 | 4771607 | - | BEARING |
| 5 | 5771124 | - | PLUG |
| 6 | 5771123 | - | END CAP |
| 7 | 5771615 | - | END CAP |
| 8 | 5771614 | - | END CAP |
| 9 | 5771122 | - | LEVEL GAUGE |

Spearhead ORBITAL

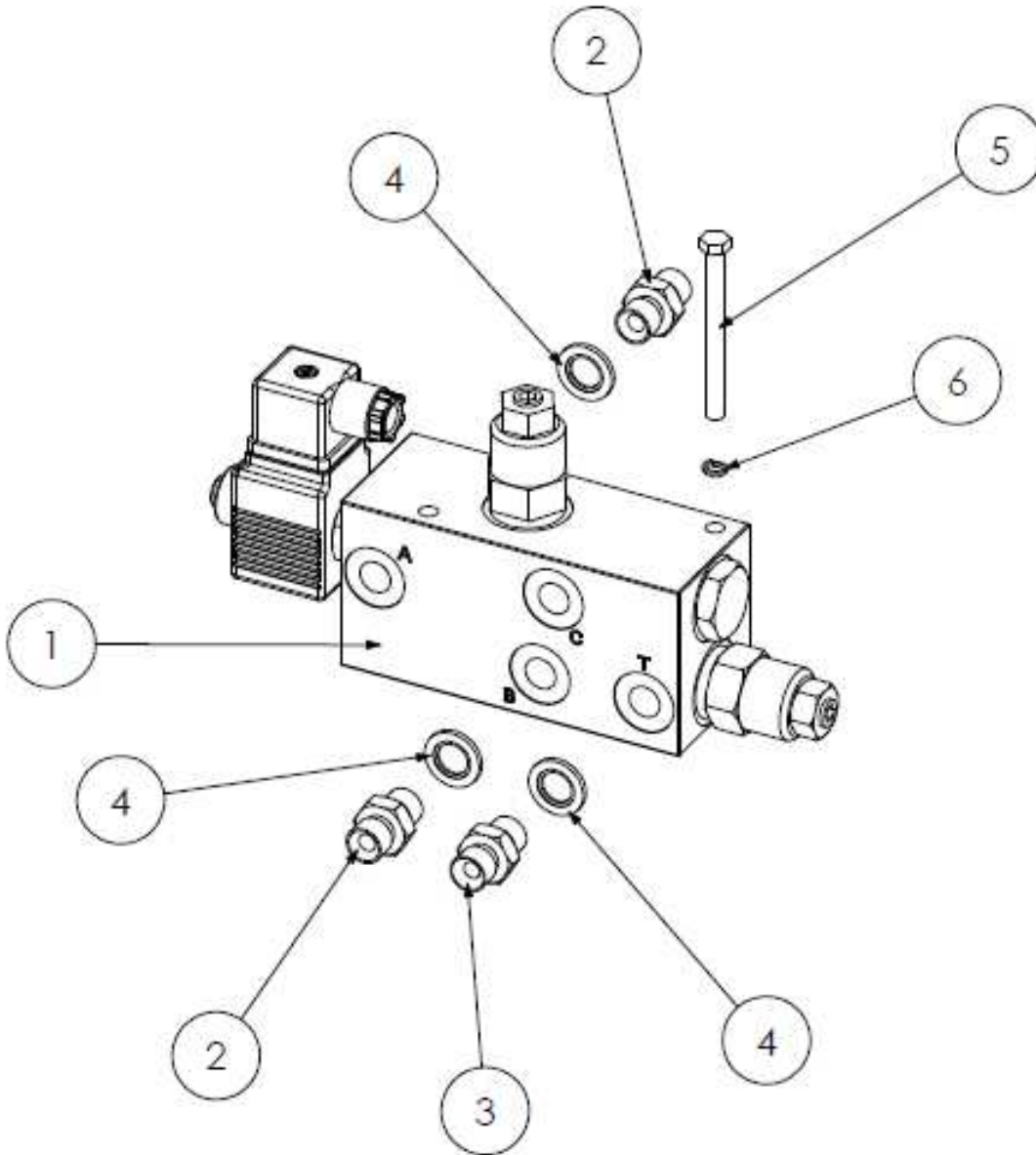
PTO ASSEMBLY



| REF NO. | PART NO. | QTY. | DESCRIPTION |
|---------|----------|------|------------------|
| | 5770084C | - | PTO ASSEMBLY |
| 1 | 5772263 | - | GUARD |
| 2 | 5771020 | - | CHAIN |
| 3 | 5772240 | - | YOKE – 6 SPLINE |
| 3 | 5772241 | - | YOKE – 21 SPLINE |
| 4 | 5772242 | - | CROSS JOURNAL |
| 5 | 5772244 | - | INNER YOKE |
| 6 | 5772264 | - | OUTER YOKE |
| 7 | 4770815 | - | INNER BEARING |
| 8 | 4770814 | - | OUTER BEARING |

Spearhead ORBITAL

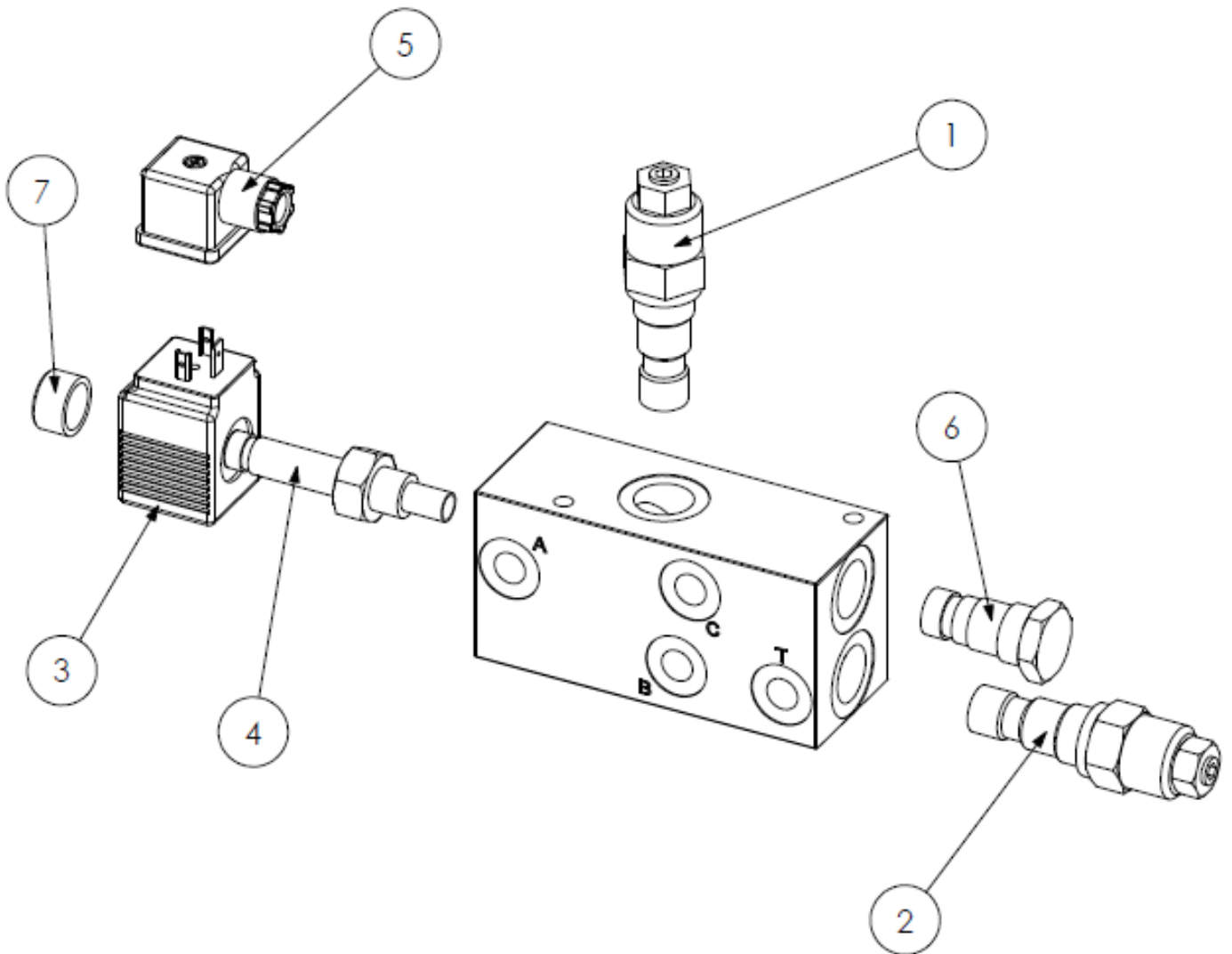
AUTO RESET VALVE ASSEMBLY – S180028.4I



| REF NO. | PART NO. | QTY. | DESCRIPTION |
|---------|-----------|------|------------------|
| 1 | 3610057 | 1 | VALVE ASSEMBLY |
| 2 | 3360080 | 6 | 1/4" M-M |
| 3 | 3360097 | 1 | 1/4" M-M R1 |
| 4 | 3260070 | 7 | 1/4" BONDED SEAL |
| 5 | 30.068.93 | 2 | M6 X 70 BOLT |
| 6 | 05.282.07 | 2 | M6 SPRING WASHER |

Spearhead ORBITAL

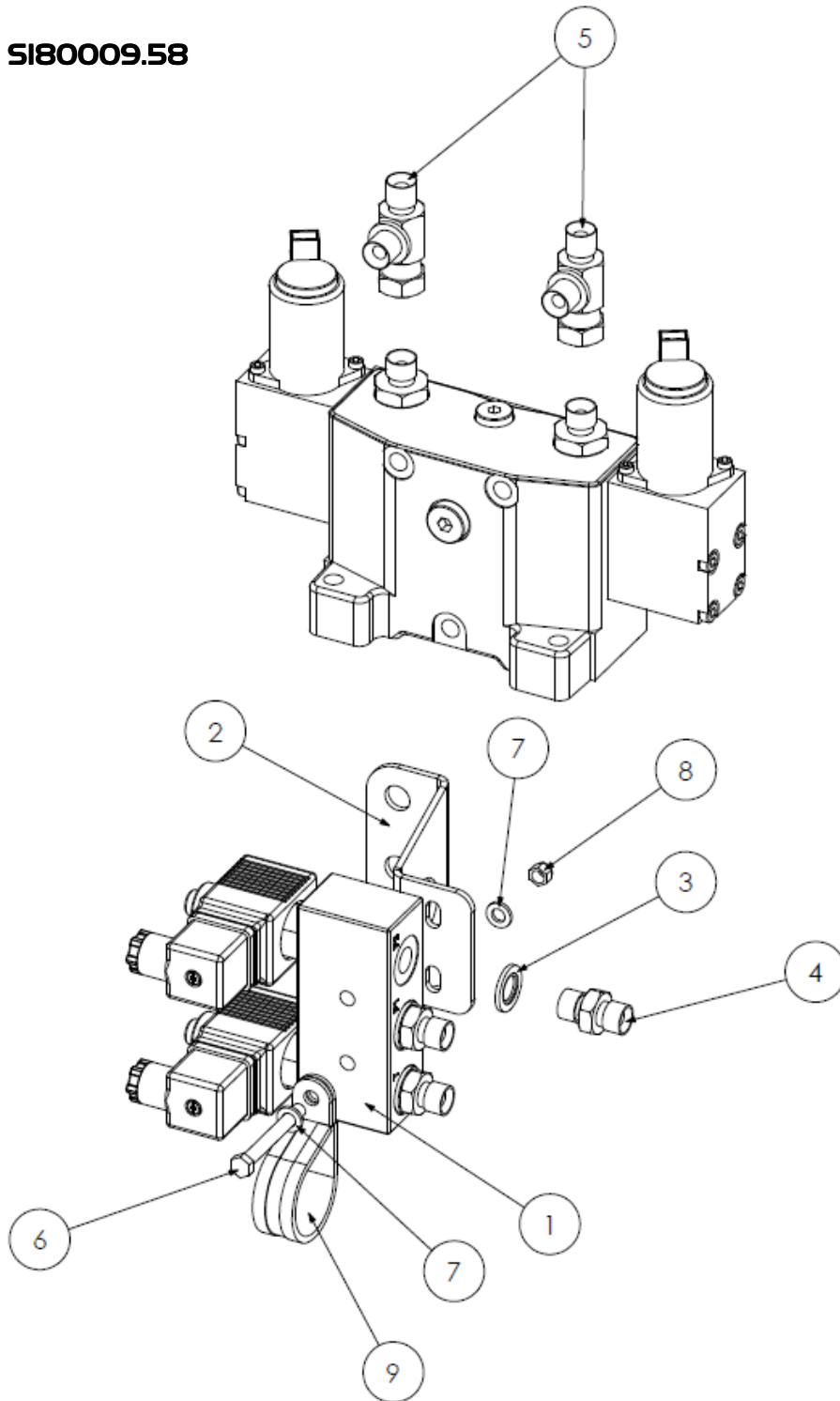
AUTO RESET VALVE



| REF NO. | PART NO. | QTY. | DESCRIPTION |
|---------|----------|------|------------------------|
| | 3610057 | 1 | VALVE ASSEMBLY |
| 1 | 3600137 | 1 | SEQUENCE CARTRIDGE |
| 2 | 3600144 | 1 | RELIEF VALVE CARTRIDGE |
| 3 | 3610052 | 1 | COIL |
| 4 | 3610032A | 1 | SOLENOID CARTRIDGE |
| 5 | 3610048 | 1 | DIN CONNECTOR |
| 6 | 3610054 | 1 | P.O.C. CARTRIDGE |
| 7 | N/A | 1 | NUT |

Spearhead ORBITAL

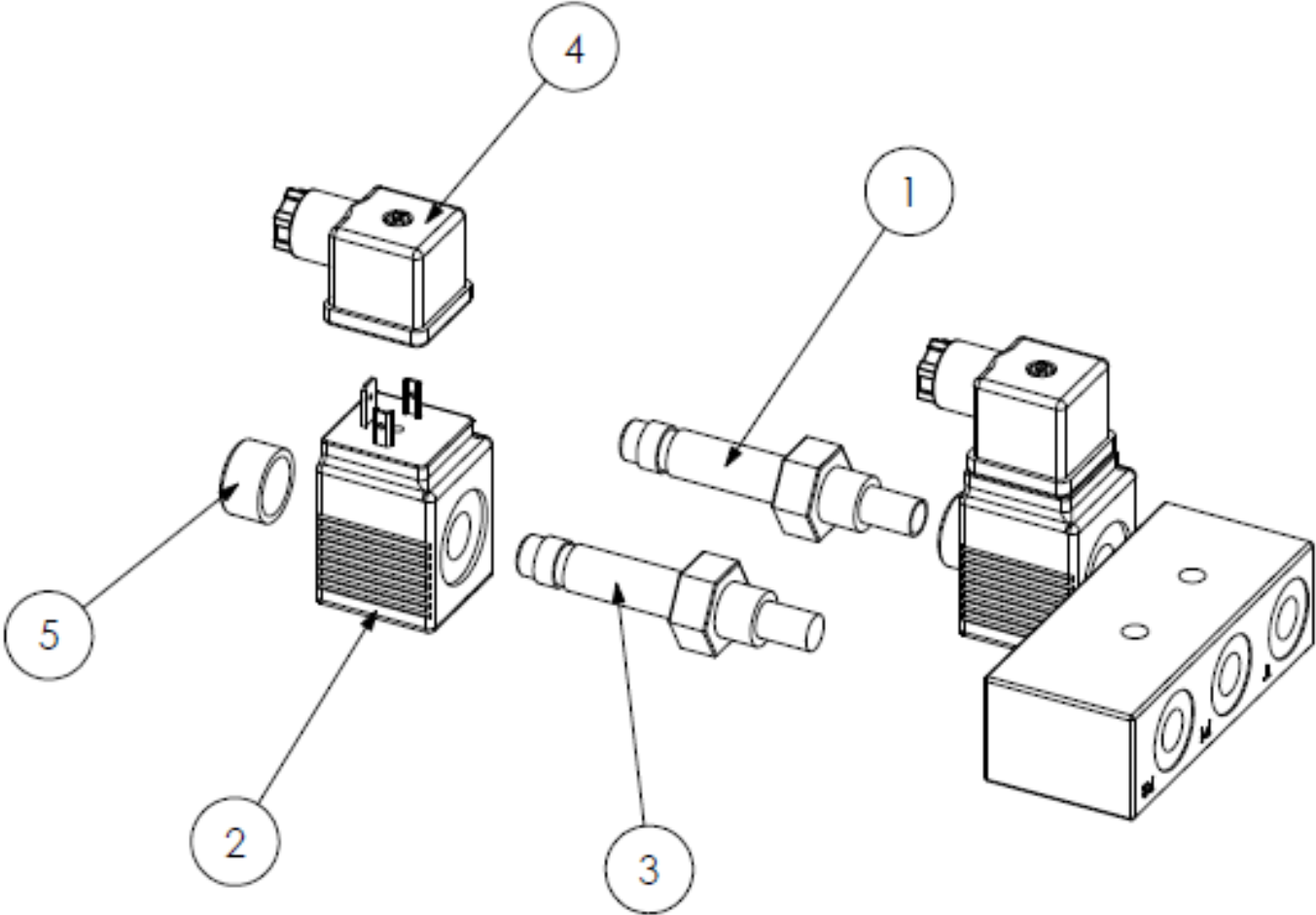
HEAD FLOAT – SI80009.58



| REF NO. | PART NO. | QTY. | DESCRIPTION |
|---------|-----------|------|-----------------|
| 1 | 3600132 | 1 | VALVE |
| 2 | 1800286 | 1 | VALVE BRACKET |
| 3 | 3260070 | 3 | 1/4 BONDED SEAL |
| 4 | 3360080 | 3 | 1/4 M-M |
| 5 | 3460300 | 2 | 1/4 FM-M-M TEE |
| 6 | 30.068.89 | 2 | M6 X 50 BOLT |
| 7 | 2771408 | 4 | M6 FLAT WASHER |
| 8 | 2770373 | 2 | M6 NYLOCK NUT |
| 9 | 3850107 | 1 | P CLIP - 38 mm |

Spearhead ORBITAL

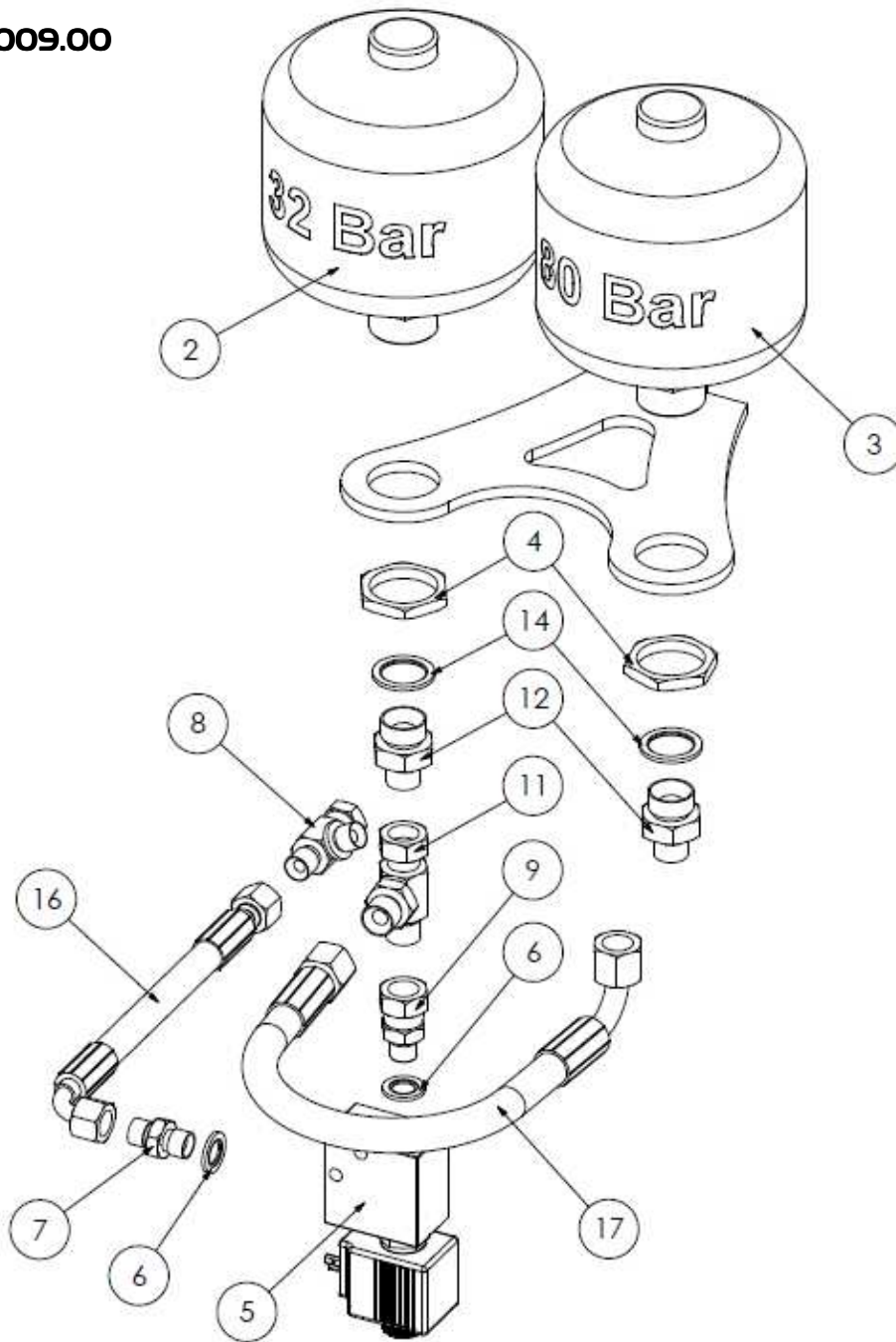
HEAD FLOAT VALVE



| REF NO. | PART NO. | QTY. | DESCRIPTION |
|---------|----------|------|-------------|
| | 3600132 | 1 | VALVE |
| 1 | 3600142 | 1 | SPOOL |
| 2 | 3610030A | 2 | COIL |
| 3 | 3610032A | 1 | SPOOL |
| 4 | 3610048 | 2 | CONNECTOR |
| 5 | N/A | 2 | NUT |

Spearhead ORBITAL

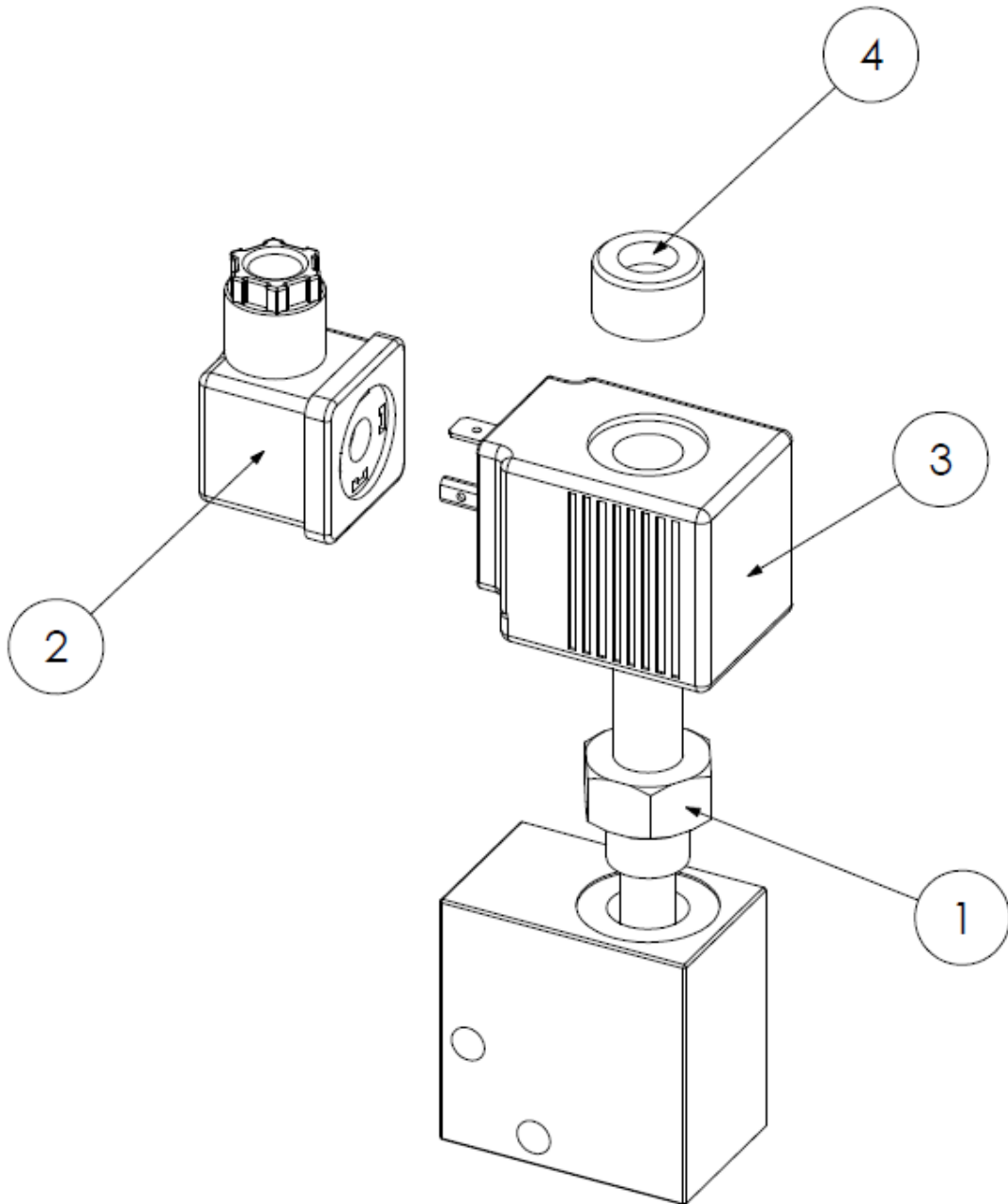
ARM FLOAT - S180009.00



| REF NO. | PART NO. | QTY. | DESCRIPTION |
|---------|----------|------|----------------------|
| 2 | 3900071 | 1 | ACCUMULATOR - 32 Bar |
| 3 | 3900074 | 1 | ACCUMULATOR - 80 Bar |
| 4 | 8126035 | 2 | M33 NUT |
| 5 | 3610053 | 1 | ELECTRONIC VALVE |
| 6 | 3260070 | 2 | 1/4" BONDED SEAL |
| 7 | 3360080 | 1 | 1/4" M-M |
| 8 | 3460300 | 1 | 1/4" FM/M/M TEE |
| 9 | 3360079 | 1 | 1/4" M - 3/8" FM SW |
| 11 | 3700216 | 1 | 3/8" TEE |
| 14 | 8650322 | 2 | M22 BONDED SEAL |
| 16 | 3760115 | 1 | HOSE |
| 17 | 3760111 | 1 | HOSE |

Spearhead ORBITAL

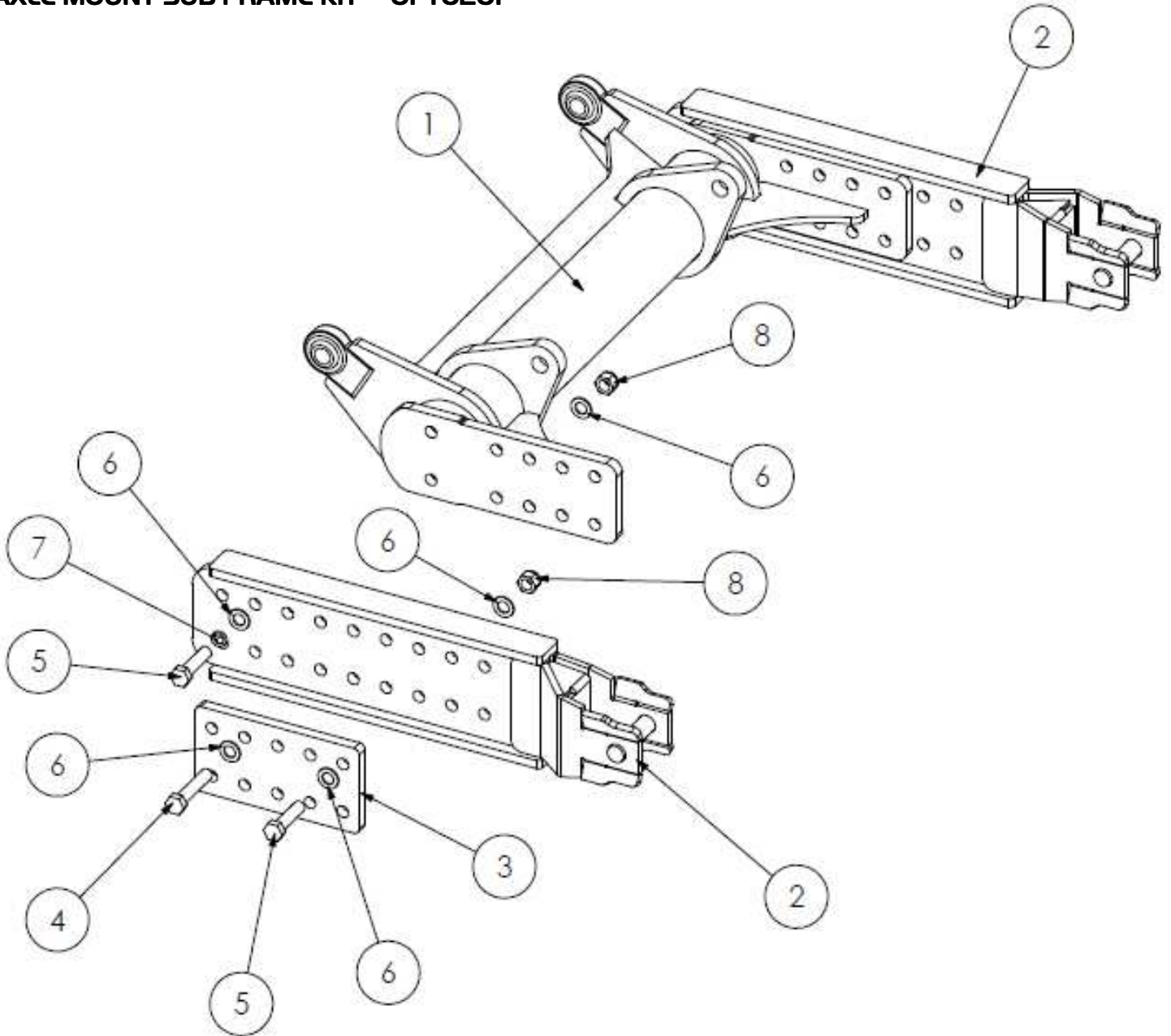
ARM FLOAT VALVE



| REF NO. | PART NO. | QTY. | DESCRIPTION |
|---------|----------|------|-------------|
| | 3610053 | 1 | VALVE |
| 1 | 3610036 | 1 | SPOOL |
| 2 | 3610048 | 2 | CONNECTOR |
| 3 | 3610052 | 2 | COIL |
| 4 | N/A | 2 | NUT |

Spearhead ORBITAL

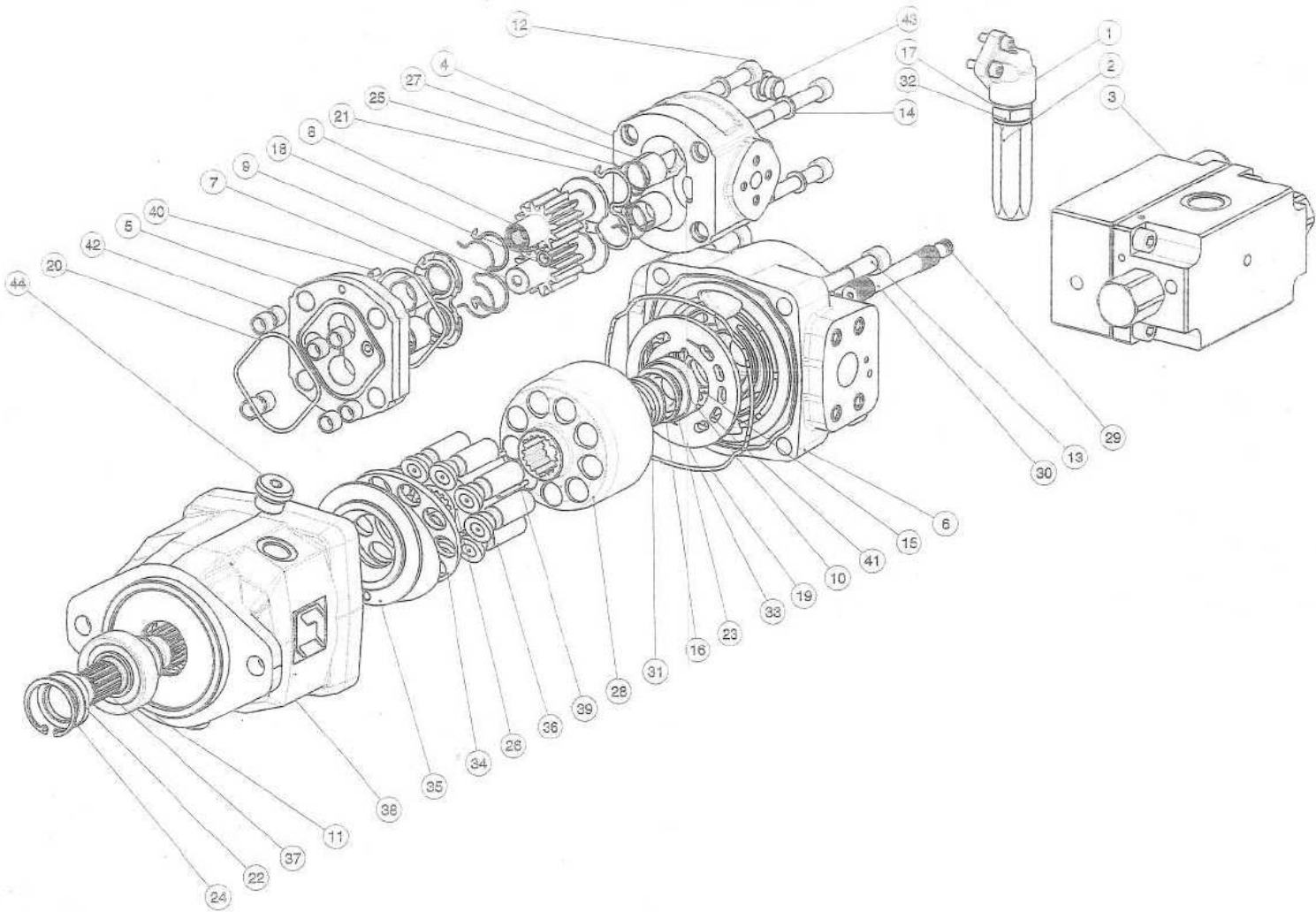
AXLE MOUNT SUB FRAME KIT – OPT0201



| REF NO. | PART NO. | QTY. | DESCRIPTION |
|---------|-----------|------|--------------------------|
| | OPT0201 | 1 | AXLE MOUNT SUB FRAME KIT |
| 1 | 1777030A | 1 | SUB FRAME |
| 2 | 1777032A | 2 | ARM |
| 3 | 1777035 | 2 | BRACE PLATE |
| 4 | 2770549 | 16 | M20 X 100 BOLT |
| 5 | 2770550 | 8 | M20 X 80 |
| 6 | 2770517 | 44 | M20 FLAT WASHER |
| 7 | 05.282.05 | 4 | M20 SPRING WASHER |
| 8 | 2770409 | 20 | M20 NYLOCK |

Spearhead ORBITAL

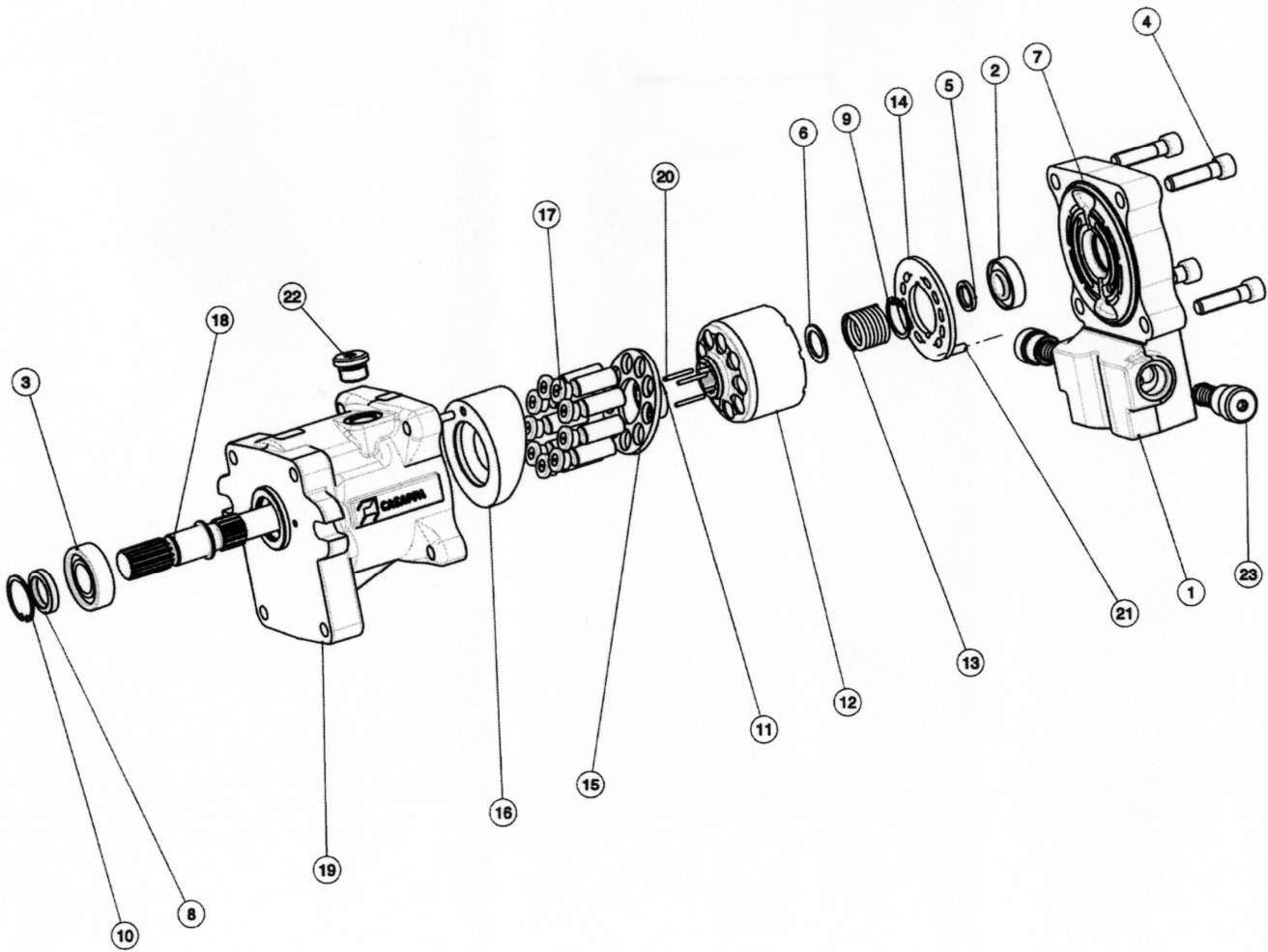
TANDEM PISTON PUMP



| REF NO. | PART NO. | QTY. | DESCRIPTION |
|---------|------------|------|---------------|
| | 3151118 | 1 | TANDEM PUMP |
| 1 | 3151086/7 | - | SERVICE PUMP |
| | 3151081/3 | - | THRUST PLATE |
| 19 | 3151081/1 | - | 'O' RING |
| 20 | 3151081/2 | - | 'O' RING |
| 21 | 3151081/4 | - | SEAL |
| 22 | 3151081/6 | - | SHAFT SEAL |
| 25 | 3151081/5 | - | SEAL |
| 30 | 3151118.01 | - | SPLINED SHAFT |

Spearhead ORBITAL

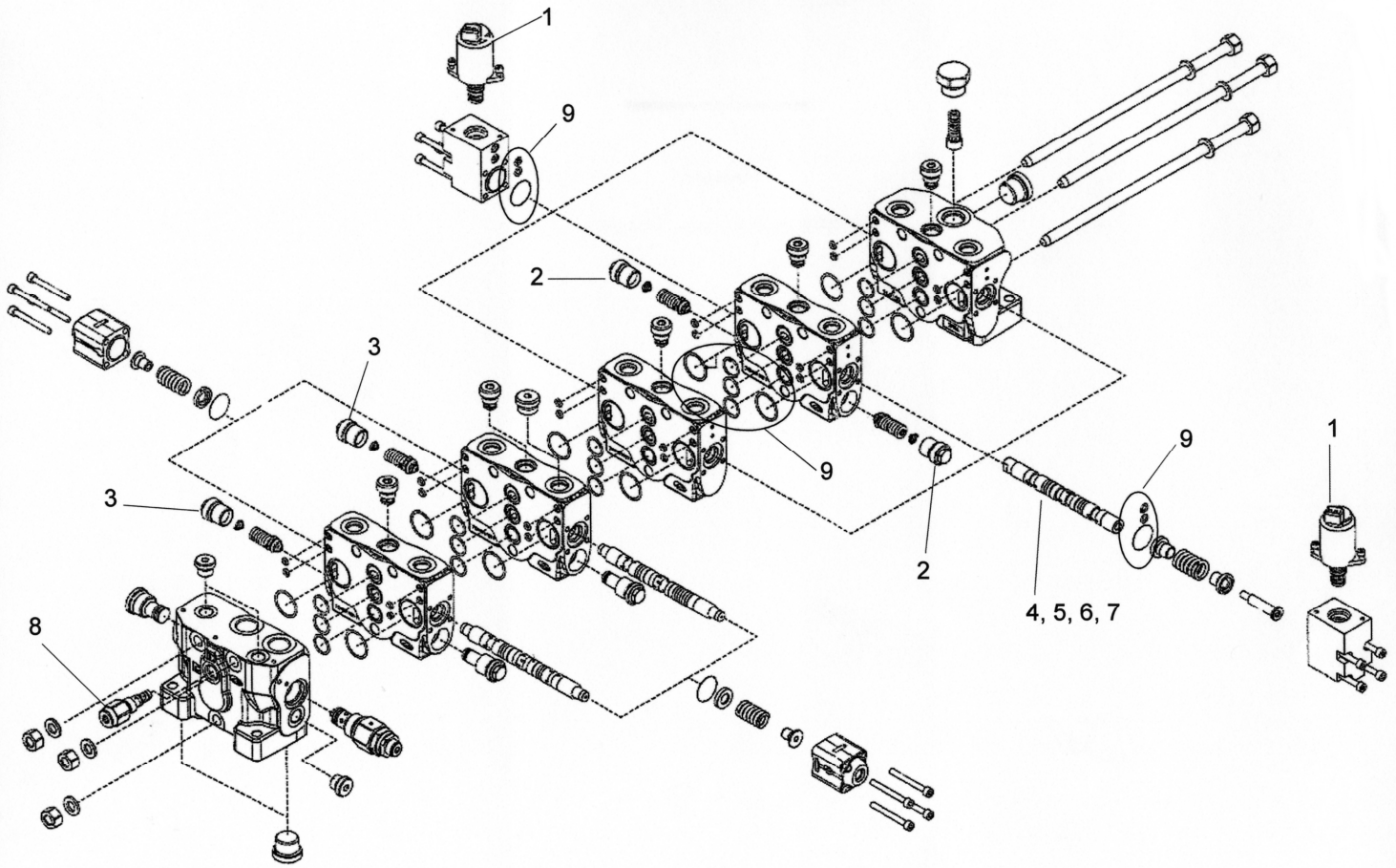
PISTON MOTOR



| REF NO. | PART NO. | QTY. | DESCRIPTION |
|---------|-----------|------|---------------------------|
| | 3151082 | 1 | MOTOR ASSEMBLY |
| 7 | 3151082/1 | - | 'O' RING |
| 8 | 3151082/2 | - | SHAFT SEAL |
| 18 | 3151082/3 | - | INPUT SHAFT |
| 23 | 3151082/4 | - | ANTI CAV. CARTRIDGE VALVE |

Spearhead ORBITAL

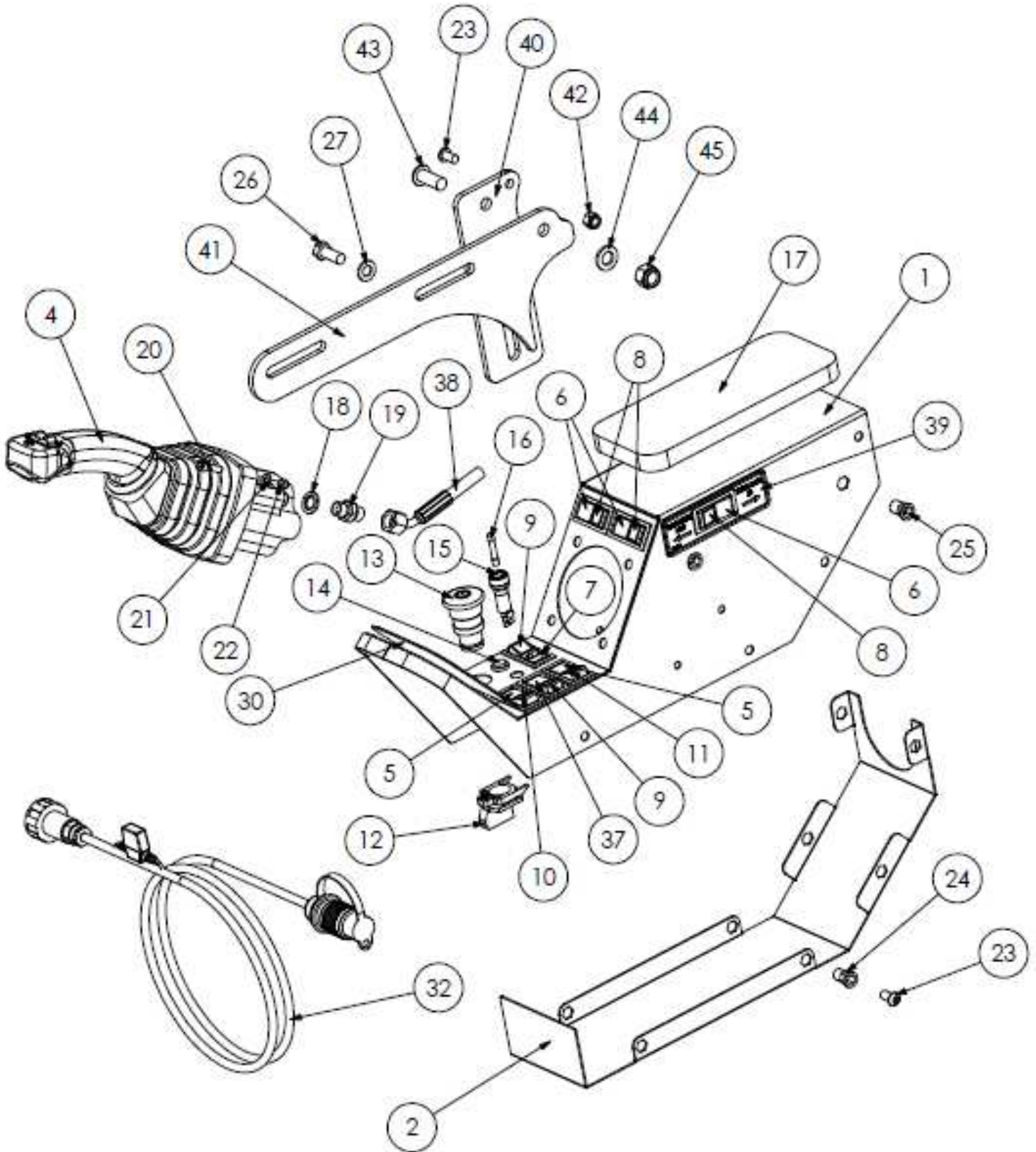
HYDRAULIC CONTROL VALVE



| REF NO. | PART NO. | QTY. | DESCRIPTION |
|---------|------------|------|-------------------------|
| | 3910299B | | 5 SECTION ASSEMBLY |
| | 3910325B | | 4 SECTION ASSEMBLY |
| | 3910326B | | 5 SECTION ASSEMBLY |
| | 3910327B | | 6 SECTION ASSEMBLY |
| | 3910328B | | 7 SECTION ASSEMBLY |
| 1 | 3910299/5 | | ELECTRIC VALVE |
| 2 | 3910299/6 | | CARTRIDGE VALVE |
| 3 | 3910299/7 | | CARTRIDGE VALVE |
| 3a | 3910299/10 | | CARTRIDGE VALVE |
| 4 | 3910299/1 | | SPOOL |
| 5 | 3910299/2 | | SPOOL |
| 6 | 3910299/3 | | SPOOL |
| 7 | 3910299/4 | | SPOOL |
| 8 | 3910299/8 | | PRESSURE REDUCING VALVE |
| 9 | 3910299/9 | | 'O' RING KIT |

Spearhead ORBITAL

TELE HYDRAULIC PROPORTIONAL CONTROLS – S180009.55
STD HYDRAULIC PROPORTIONAL CONTROLS – S180009.62



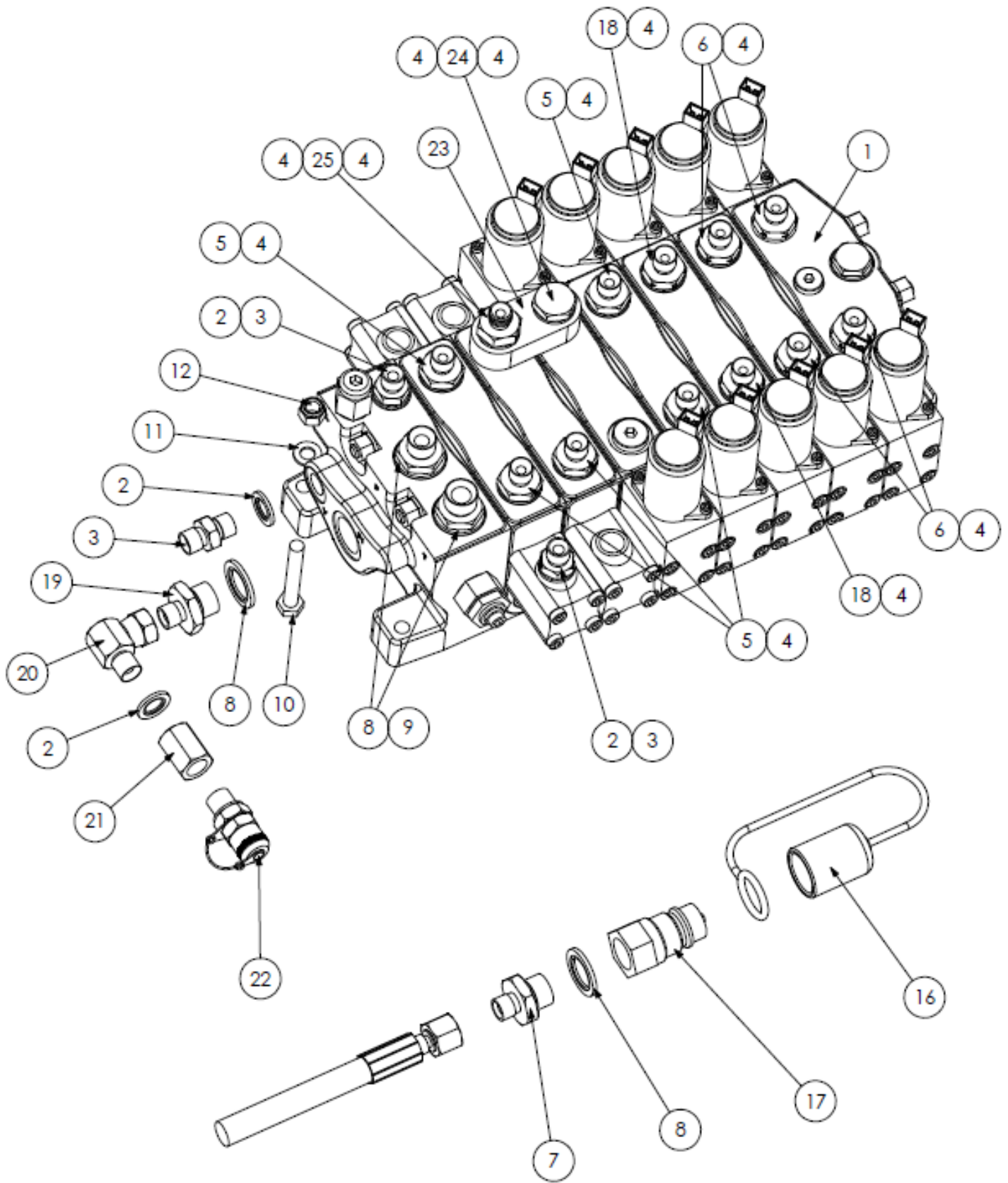
Spearhead ORBITAL

TELE HYDRAULIC PROPORTIONAL CONTROLS – S180009.55
 STD HYDRAULIC PROPORTIONAL CONTROLS – S180009.62

| REF NO. | PART NO. | QTY. | DESCRIPTION |
|---------|-----------|------|--------------------------|
| 1 | 1777028A | 1 | ARMREST |
| 2 | 1777033 | 1 | ARMREST COVER |
| 4 | 3910229 | 1 | JOYSTICK (Pg 77) |
| 5 | 3910276 | 3 | SWITCH - ON/OFF |
| 6 | 8400160 | 3 | SWITCH - ON/OFF/ON |
| 7 | 8400106 | 1 | SWITCH - ON/OFF C/W LOCK |
| 8 | 8400163B | 3 | SWITCH INSERT - BLANK |
| 9 | 8400163G | 2 | SWITCH INSERT - GREEN |
| 10 | 8400163R | 1 | SWITCH INSERT - RED |
| 11 | 8400163Y | 1 | SWITCH INSERT - YELLOW |
| 12 | 8400166 | 1 | ROTOR SWITCH |
| 13 | 8400167 | 1 | ROTOR KNOB |
| 14 | 8400168 | 1 | POWER LIGHT |
| 15 | 8400183 | 1 | FUSE HOLDER |
| 16 | 8400184 | 1 | FUSE |
| 17 | 5771634 | 1 | FOAM PAD |
| 18 | 3260070 | 6 | 1/4" BONDED SEAL |
| 19 | 3360080 | 6 | 1/4" M-M ADAPTOR |
| 20 | 2770336 | 4 | M6 X 25 SKT CAP BOLT |
| 21 | 2771408 | 4 | M6 FLAT WASHER |
| 22 | 2770373 | 4 | M6 NYLOCK NUT |
| 23 | 2770370 | 9 | M8 X 15 SKT BUTTON BOLT |
| 24 | 2770206 | 8 | M8 RIVNUT |
| 25 | 2770202 | 4 | M10 RIVNUT |
| 26 | 2770407 | 2 | M10 X 25 BOLT |
| 27 | 2770434 | 2 | M10 FLAT WASHER |
| 30 | 8770497 | 1 | CONTROLS DECAL - TELE |
| 30 | 8770519 | 1 | CONTROLS DECAL - STD |
| 31 | 8770846 | 1 | CONTROL LOOM |
| 32 | 8770712 | 1 | POWER LEAD |
| 33 | 43542.21 | 1 | LARGE HOSE SLEEVE |
| 34 | 30.058.66 | 12 | SMALL CABLE TIE |
| 35 | 8770784 | 1 | ROTOR CONTROL LOOM |
| 36 | 8770785 | 1 | ROTOR CONTROL ECU |
| 37 | 8400035 | 1 | SWITCH - OFF/ON/ON |
| 38 | 3750652 | 1 | HOSE KIT |
| 39 | 8770498 | 1 | DECAL |
| 40 | 181284 | 1 | SEAT BRACKET |
| 41 | 181285 | 1 | ARM REST BRACKET |
| 42 | 2770416 | 1 | M8 NYLOCK |
| 43 | 05.625.10 | 1 | M12 X 30 SKT BUTTON BOLT |
| 44 | 2770436 | 1 | M12 FLAT WASHER |
| 45 | 2770417 | 1 | M12 NYLOCK |

Spearhead ORBITAL

CONTROL VALVE - S180009.56



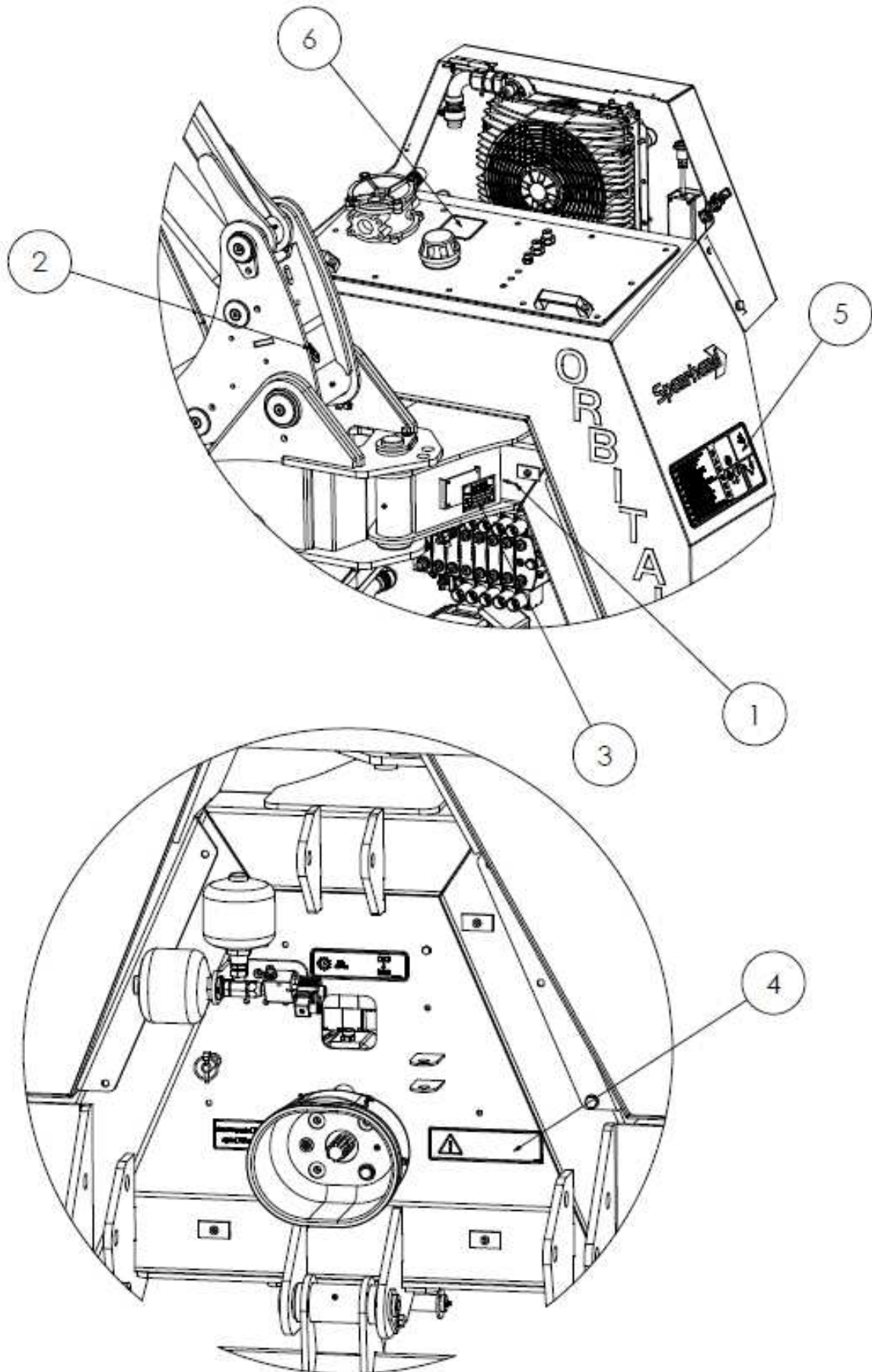
Spearhead ORBITAL

CONTROL VALVE - S180009.56

| REF NO. | PART NO. | QTY. | DESCRIPTION |
|---------|-----------|------|----------------------------|
| 1 | 3910328B | 1 | 7 BANK VALVE ASSEMBLY |
| 2 | 3260070 | 6 | 1/4" BONDED SEAL |
| 3 | 3360080 | 6 | 1/4" M-M ADAPTOR |
| 4 | 3260071 | 15 | 3/8" BONDED SEAL |
| 5 | 3360083 | 5 | 1/4"-3/8" M-M ADAPTOR |
| 6 | 3360098 | 4 | 1/4"-3/8" M-M R1 ADAPTOR |
| 7 | 3250154 | 4 | 1/2" M - 1/4" M R1 ADAPTOR |
| 8 | 3260072 | 6 | 1/2" BONDED SEAL |
| 9 | 3460301 | 2 | 1/2" M-M ADAPTOR |
| 10 | 05.291.06 | 4 | M8 X 55 BOLT |
| 11 | 2770432 | 4 | M8 FLAT WASHER |
| 12 | 2770416 | 4 | M8 NYLOCK |
| 16 | 3700236 | 2 | RED DUST CAP |
| 16 | 3700237 | 2 | BLUE DUST CAP |
| 17 | 3750153 | 4 | QUICK RELEASE COUPLING |
| 18 | 3360107 | 2 | 1/4"-3/8" M-M R1.5 ADAPTOR |
| 19 | 3360074 | 1 | 1/2" M - 1/4" M ADAPTOR |
| 20 | 3460107 | 1 | 1/4" ELBOW |
| 21 | 3360110A | 1 | 1/4" BARREL NUT |
| 22 | 3360110 | 1 | 1/4" TEST PORT |
| 23 | 181620 | 1 | AUTOPILOT LINK |
| 24 | 3700248 | 1 | 3/8" BANJO BOLT |
| 25 | 3700254 | 1 | ADAPTOR |

Spearhead ORBITAL

SAFETY DECALS - S180009.63



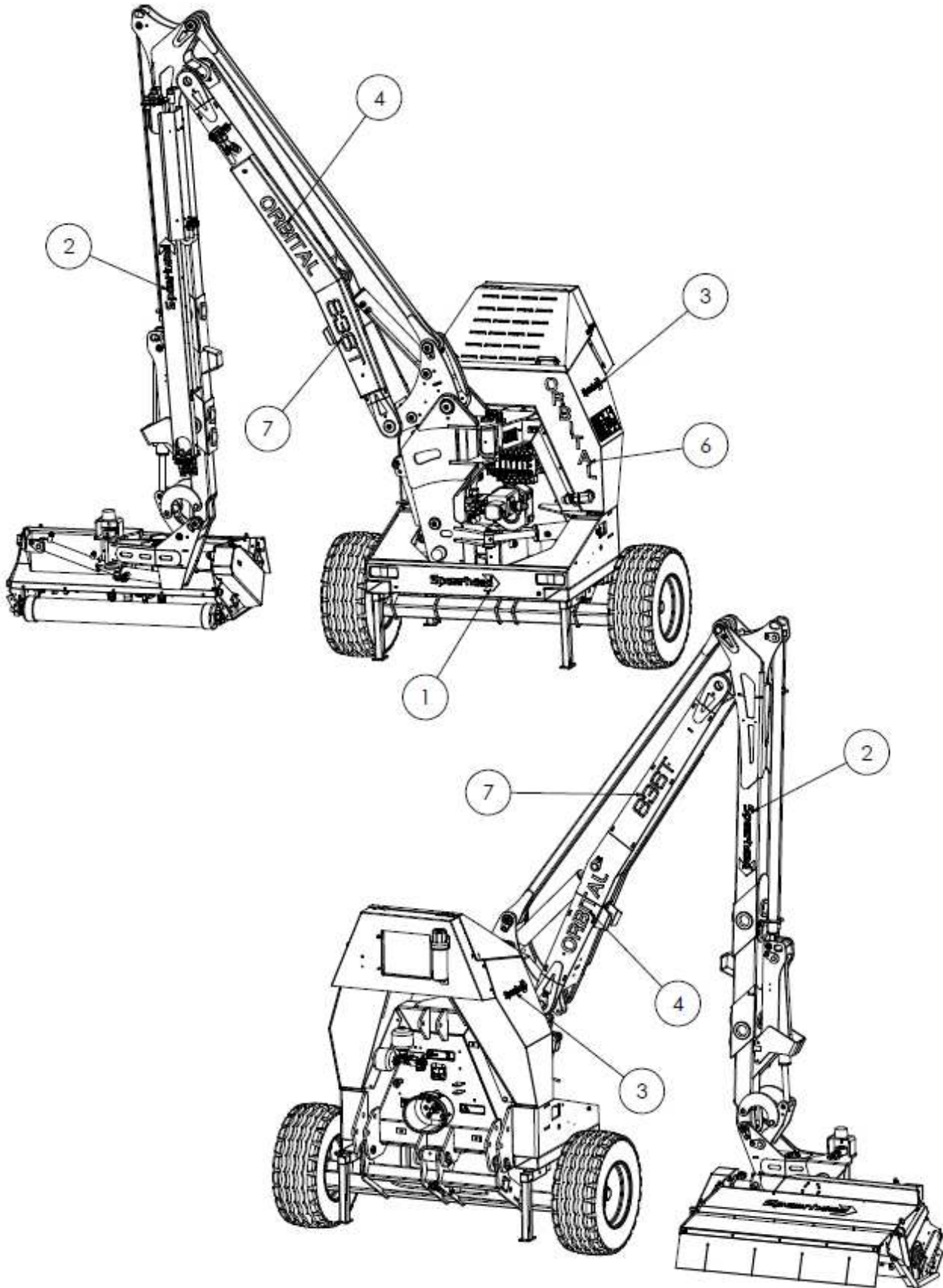
Spearhead ORBITAL

SAFETY DECALS - S180009.63

| REF NO. | PART NO. | QTY. | DESCRIPTION |
|---------|----------|------|---------------------|
| 1 | 7103230 | 4 | RIVET |
| 2 | 8770322 | 30 | GREASE POINT DECAL |
| 3 | 8770330 | 1 | SERIAL NUMBER PLATE |
| 4 | 8770346 | 1 | CHECK CHAINS DECAL |
| 5 | 8770470 | 1 | SAFETY DECAL |
| 6 | 8770551 | 1 | FILTER CHANGE DECAL |

Spearhead ORBITAL

606 DECALS - S180009.41
686 DECALS - S180009.42
726T DECALS - S180009.43
836T DECALS - S180009.44



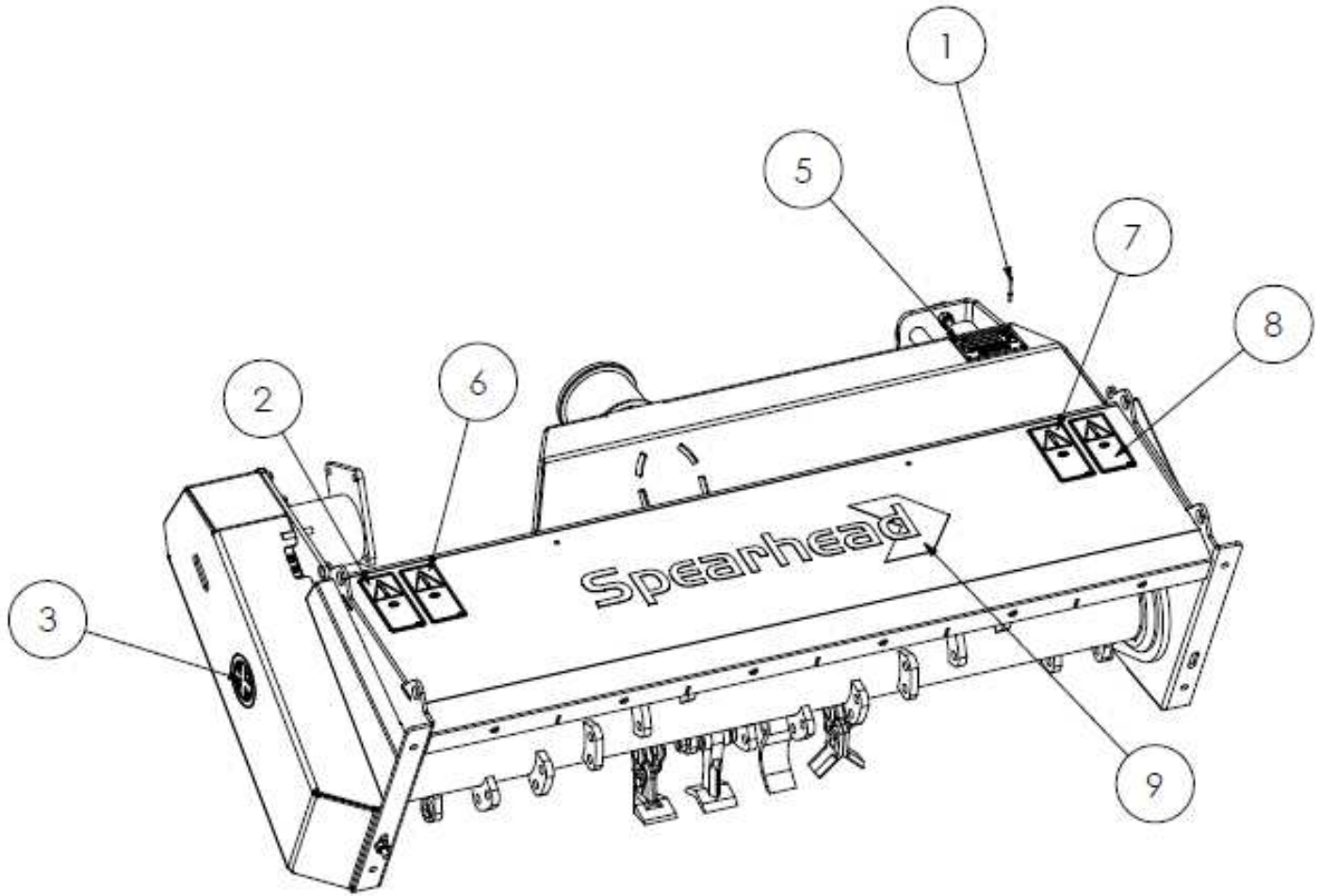
Spearhead ORBITAL

606 DECALS - S180009.41
686 DECALS - S180009.42
726T DECALS - S180009.43
836T DECALS - S180009.44

| REF NO. | PART NO. | QTY. | DESCRIPTION |
|---------|----------|------|-------------------------|
| 1 | 8770373 | 1 | SPEARHEAD DECAL - 615mm |
| 2 | 8770374 | 2 | SPEARHEAD DECAL - 448mm |
| 3 | 8770388 | 2 | SPEARHEAD DECAL - 320mm |
| 4 | 8770410 | 2 | ORBITAL DECAL |
| 5 | 8770495 | 1 | LH ORBITAL DECAL |
| 6 | 8770496 | 1 | RH ORBITAL DECAL |
| 7 | 8770689 | 2 | 606 DECAL |
| 7 | 8770690 | 2 | 686 DECAL |
| 7 | 8770691 | 2 | 726T DECAL |
| 7 | 8770692 | 2 | 836T DECAL |
| 8 | 8999018 | 1 | HANDBOOK |
| 9 | 8999031 | 1 | PARTS MANUAL |

Spearhead ORBITAL

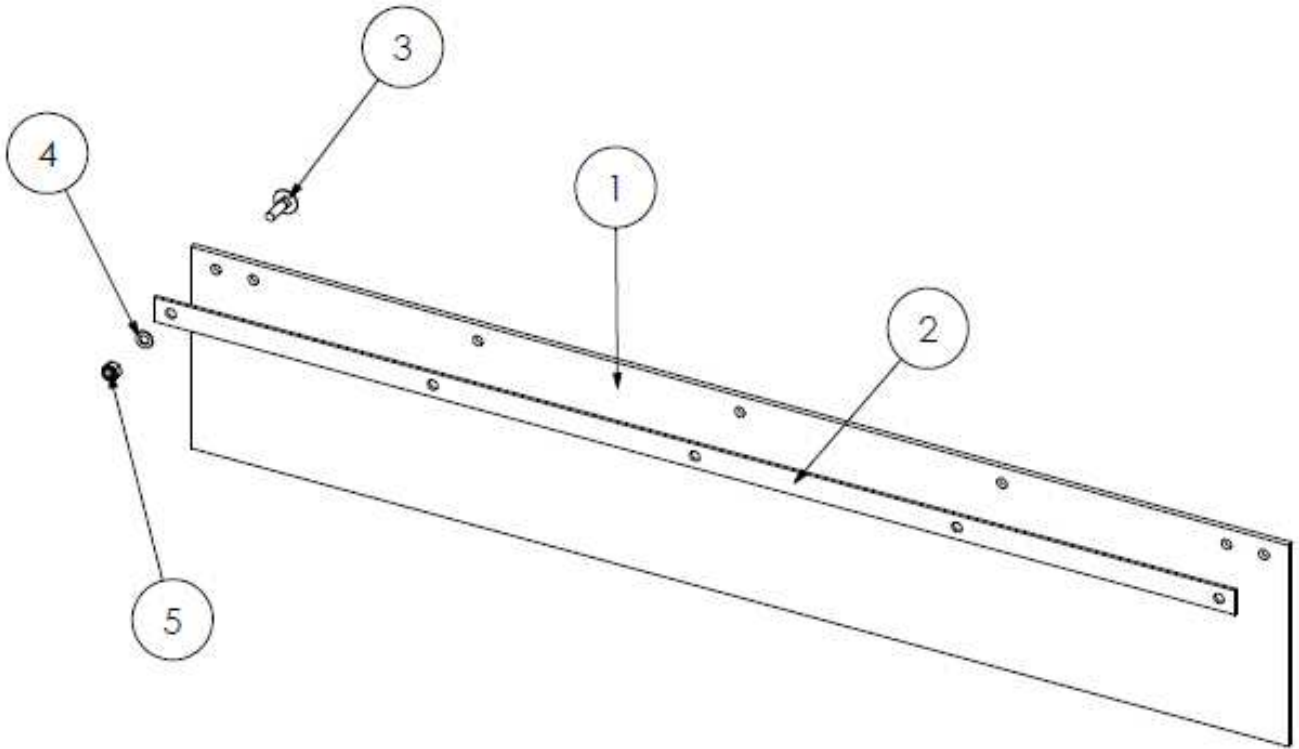
HEAD DECALS - S180009.30



| REF NO. | PART NO. | QTY. | DESCRIPTION |
|---------|----------|------|----------------------|
| 1 | 7103230 | 4 | RIVET |
| 2 | 8770306 | 1 | BOLTS TIGHT |
| 3 | 8770307 | 2 | MANUFACTURED IN GB |
| 4 | 8770322 | 4 | GREASE POINT |
| 5 | 8770330 | 1 | SERIAL NUMBER PLATE |
| 6 | 8770357 | 1 | KEEP A SAFE DISTANCE |
| 7 | 8770359 | 1 | AVOID POWER LINES |
| 8 | 8770360 | 1 | STAY CLEAR OF BLADES |
| 9 | 8770373 | 1 | SPEARHEAD |

Spearhead ORBITAL

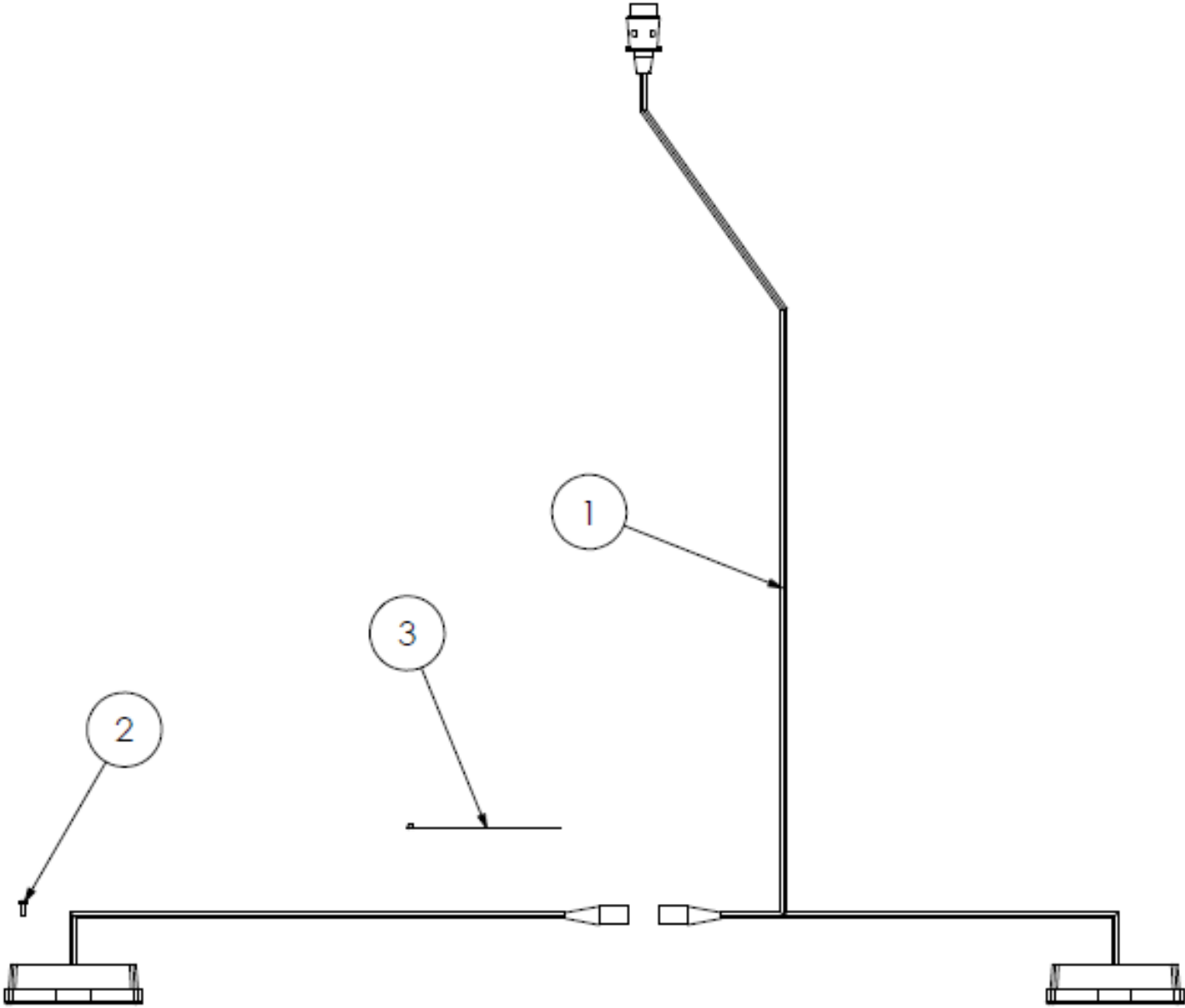
REAR FLAP - S180012.06



| REF NO. | PART NO. | QTY. | DESCRIPTION |
|---------|----------|------|----------------------|
| 1 | 8400207B | 1 | REAR FLAP |
| 2 | 1777398 | 1 | FLAP RETAINING STRIP |
| 3 | 2770615 | 5 | M10 X 35 COACH BOLT |
| 4 | 2770434 | 5 | M10 FLAT WASHER |
| 5 | 2770412 | 5 | M10 NYLOCK |

Spearhead ORBITAL

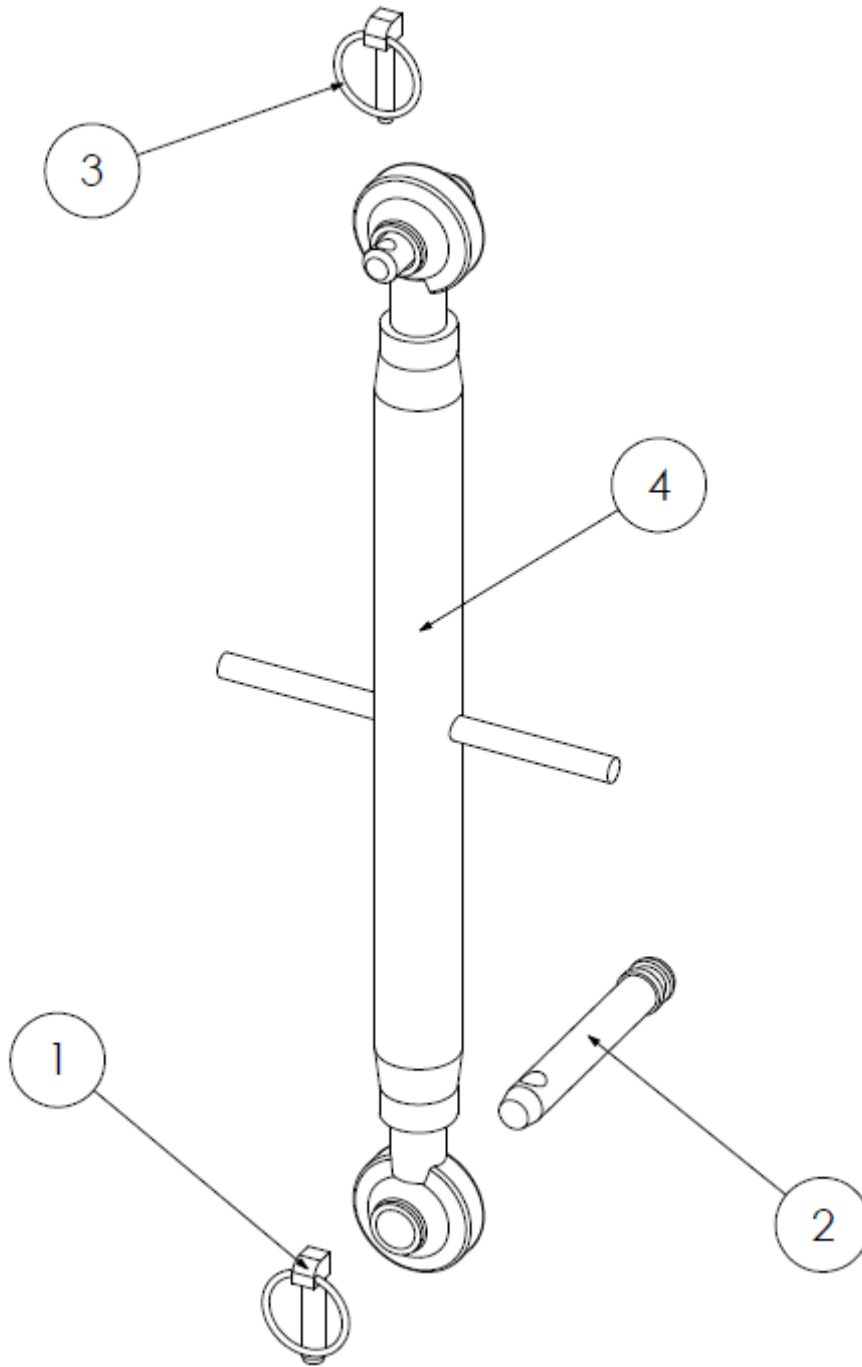
LIGHT LOOM - S180010.67



| REF NO. | PART NO. | QTY. | DESCRIPTION |
|---------|-----------|------|----------------|
| 1 | 8770669 | 1 | LIGHT LOOM |
| 2 | 2770580 | 4 | M5 X 15 SCREW |
| 3 | 30.058.66 | 6 | CABLE TIE - SM |

Spearhead ORBITAL

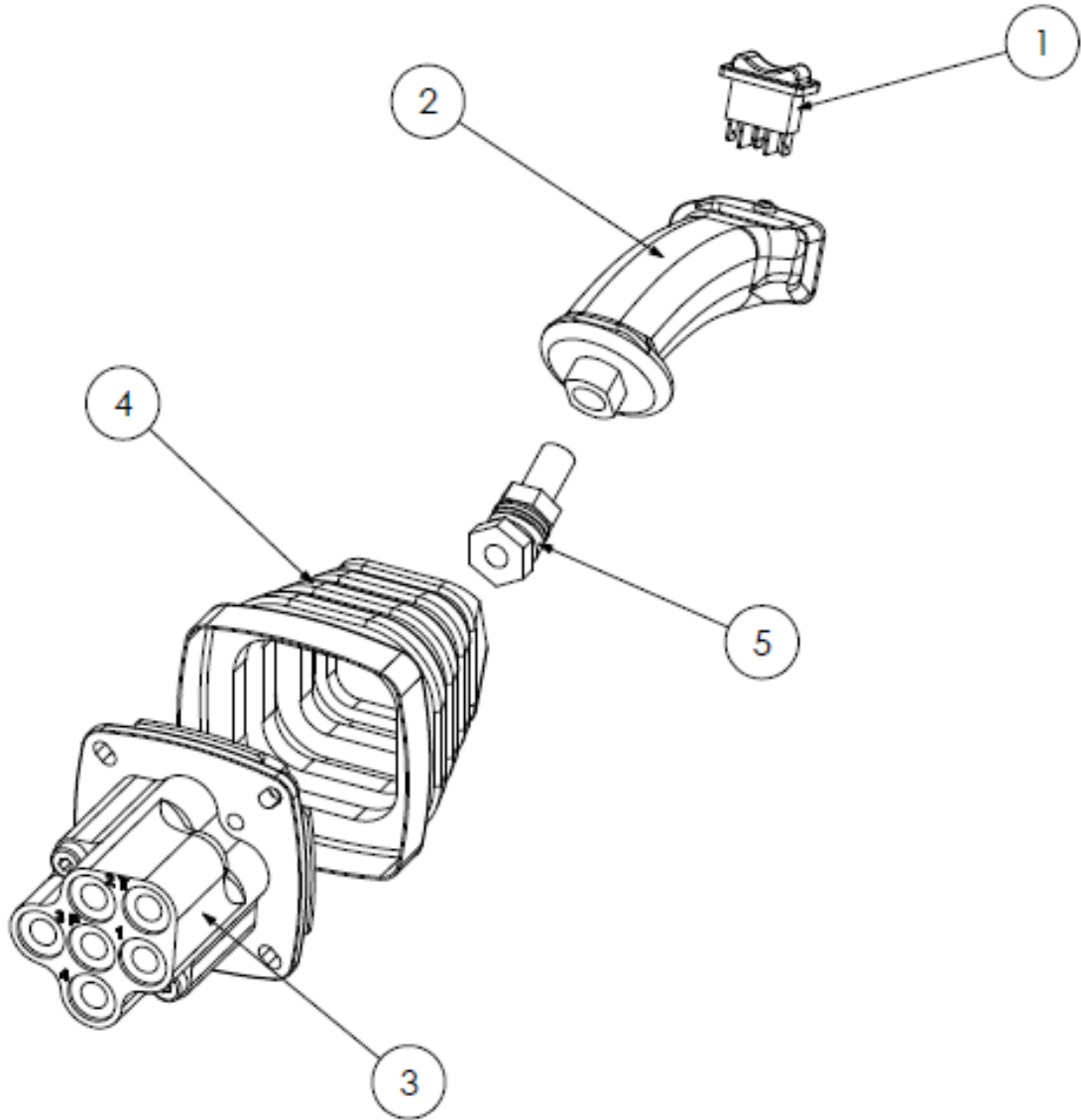
TRANSPORT LINK - S180035.76



| REF NO. | PART NO. | QTY. | DESCRIPTION |
|---------|-----------|------|--------------------|
| 1 | 00.372.01 | 2 | LYNCH PIN - 11mm |
| 2 | 6310202 | 2 | CAT I TOP LINK PIN |
| 3 | 6310207 | 1 | LYNCH PIN - 8mm |
| 4 | 6310233 | 1 | TOP LINK |

Spearhead ORBITAL

JOYSTICK - 3910229



| REF NO. | PART NO. | QTY. | DESCRIPTION |
|---------|----------|------|----------------------|
| | 3910229 | | JOYSTICK ASSEMBLY |
| 1 | 3910222 | 1 | HEAD ANGLE SWITCH |
| 2 | 3910225 | 1 | HANDLE ASSEMBLY |
| 3 | 3910271 | 1 | HANDLE MOUNTING STUD |
| 4 | 3910301 | 1 | GAITER |

Spearhead Machinery Ltd
Green View
Salford Priors
Evesham
Worcestershire
WR11 8SW
Tel: 01789 491860
Fax: 01789 778683
www.spearheadmachinery.com
enquiries@spearheadmachinery.com