

Spearhead

EXCEL Reach Mower 606/686/726T/836T 7000/7000T 7000LR/7000LRT



Edition 7.1 – January 2013
Part No. 8999030

PARTS MANUAL

Spearhead 6 Series

Contents

Ordering Your Parts.....	3
A Frame.....	4
Tank.....	6
Slew Post & Lift Frame.....	8
Main Arm.....	10
Dipper Arm.....	12
VFR Dipper Arm.....	14
Telescopic Dipper Arm.....	16
Head Crowd Bracket.....	18
Hydraulic Roller.....	20
DP Belt Drive.....	22
DP Direct Drive.....	24
Fixed Front Hood.....	26
Adjustable Front Hood.....	27
Hydraulic Roller Valve.....	28
Break Back Valve.....	29
Rear Roller.....	30
MP1 Direct Drive.....	32
MP1 Belt Drive.....	34
Head Motor.....	38
Slew Ram.....	40
Lift Ram.....	41
Dipper Ram.....	42
Head Ram.....	43
VFR Ram.....	44
Tele Ram.....	45
Axle Mount Sub Frame.....	46
Cab Guard.....	47
Gearbox.....	48

Spearhead 6 Series

Contents cont.

PTO.....	49
Tandem Pump.....	50
Electric Rotor Valve.....	52
Debris Blower.....	53
Head Float Valve.....	54
Arm Float Valve.....	55
Control Valve.....	56
Hydraulic Proportional Controls.....	58
Safety Decals.....	59
Autopilot.....	60
Over Centre Valve.....	62

Spearhead 6 Series

Ordering Your Part's

When ordering parts please refer to your parts list to help your dealer with your order.

Part number and quantity
Description
Machine model number
Serial number of the machine
Delivery instructions (e.g. next day).

Delivery is normally via carrier direct to your dealer. Please check with your dealer for stock availability and arrangement of dispatch. Ensure you or your dealer has sufficient cover for parts requirement outside factory hours.

When ordering your seal kits please quote both codes stamped on the base of the cylinder.

Important Note

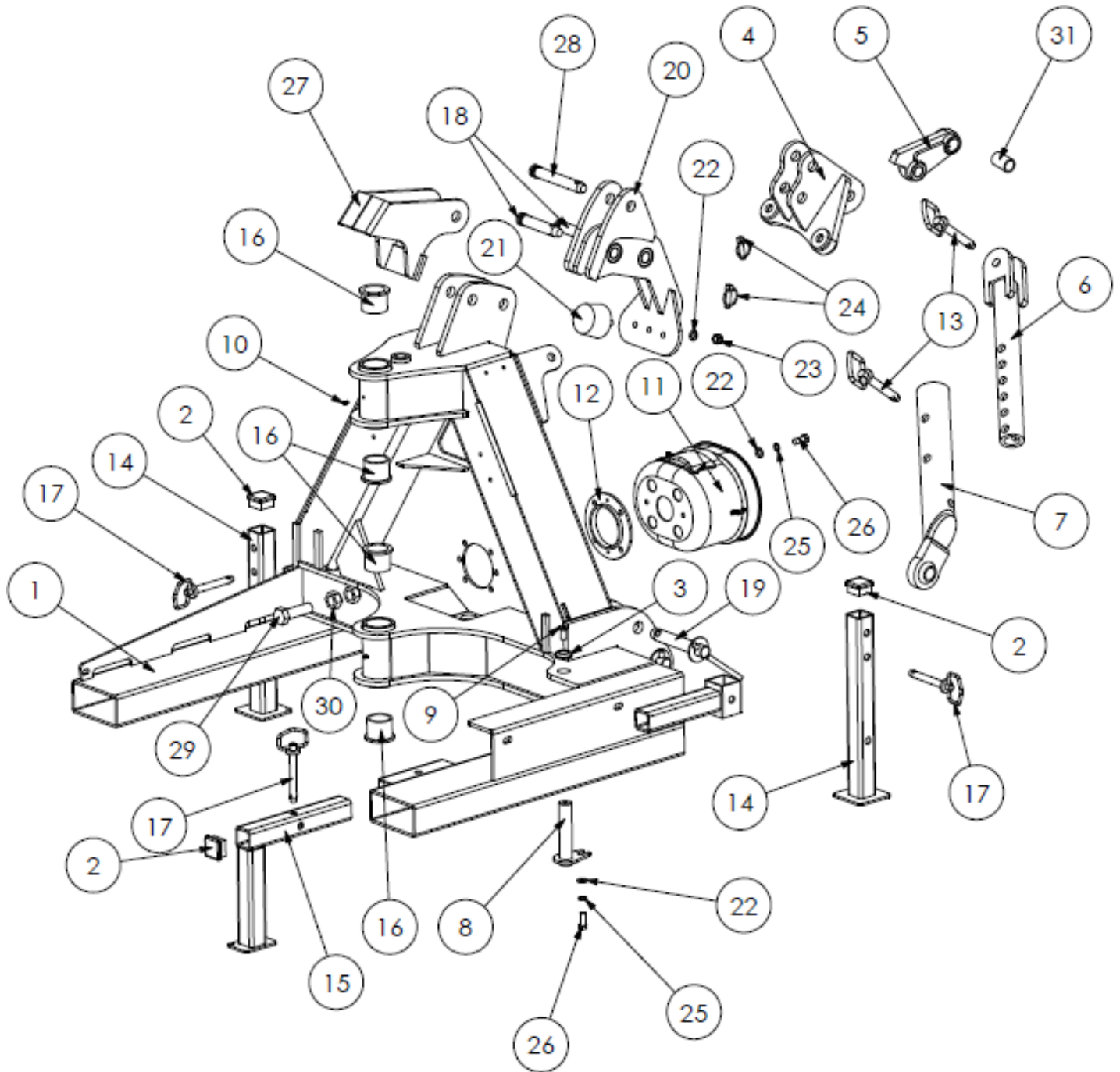
The information contained in this manual is correct at the time of publication. However, in the course of constant development, changes in specification are inevitable. Should you find the information given in this book different to the machine it relates to, please contact the "After Sales Department" for advice.

Key:

(LH) = Left hand
(RH) = Right hand
(LP) = Low pressure hydraulics
(HP) = High pressure hydraulics

Spearhead 6 Series

A FRAME



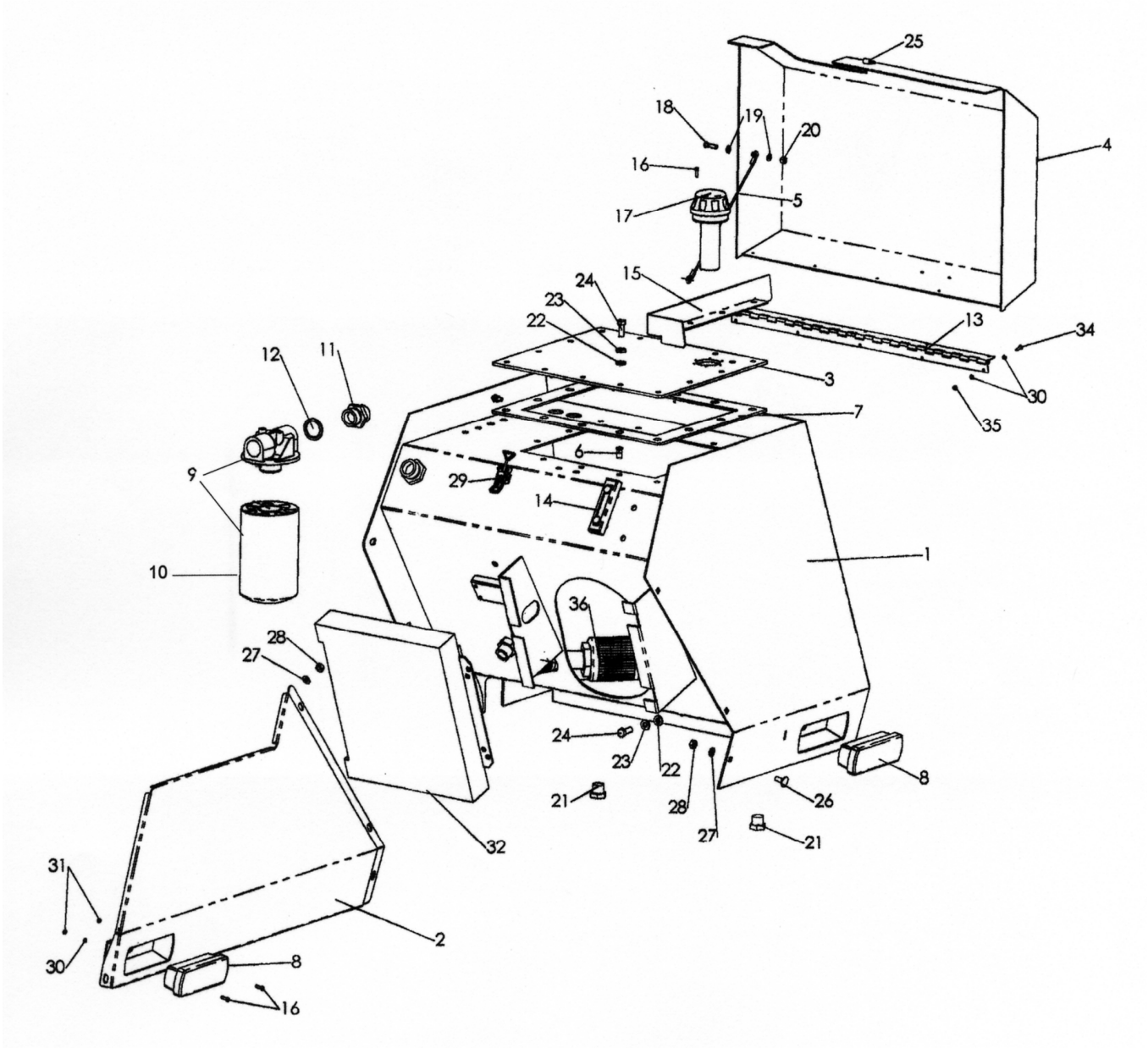
Spearhead 6 Series

A FRAME

REF NO.	PART NO.	QTY.	DESCRIPTION
1	1777350C	1	LH A FRAME
1	1777350RC	1	RH A FRAME
2	07.262.03	3	PLASTIC CAP
3	1777209	1	RETAINING WASHER - 40 mm
4	1777872	1	STABILISER BRACKET
5	1777873	1	STABILISER TONGUE
6	1777532	2	INNER STABILISER TUBE
7	1777533A	2	OUTER STABILISER TUBE
8	1777374	1	PEAR PIN: 30 X 138 mm
9	2770506	1	M12 X 30 SKT CSK SCREW
10	2770467	2	M6 ST GREASE NIPPLE
11	5770116	1	CONE
12	1778200	1	GEARBOX SUPPORT PLATE
13	6310215	4	PIN
14	1777870	2	FRONT LEG STAND
15	1777871	1	REAR LEG STAND
16	4600128-A	4	BUSH
17	6310220	3	PIN
18	6310203	2	CAT II TOP LINK PIN
19	6310208	4	LOWER LINK PIN
20	1777884	1	TOP LINK CUSHION BRACKET
21	8770634	2	RUBBER CUSHION
22	2770436	7	M12 FLAT WASHER
23	2770417	2	M12 NYLOCK NUT
24	00.372.01	3	LYNCH PIN
25	2770442	5	M12 SPRING WASHER
26	2770420	5	M12 X 30 BOLT
27	1777885	1	OVER-CENTRE BRACKET
28	6310235	1	CAT II TOP LINK PIN
29	2770551	1	M24 X 80 BOLT
30	2770460	1	M24 FULL NUT
31	6310214	1	CONVERSION BUSH

Spearhead 6 Series

TANK



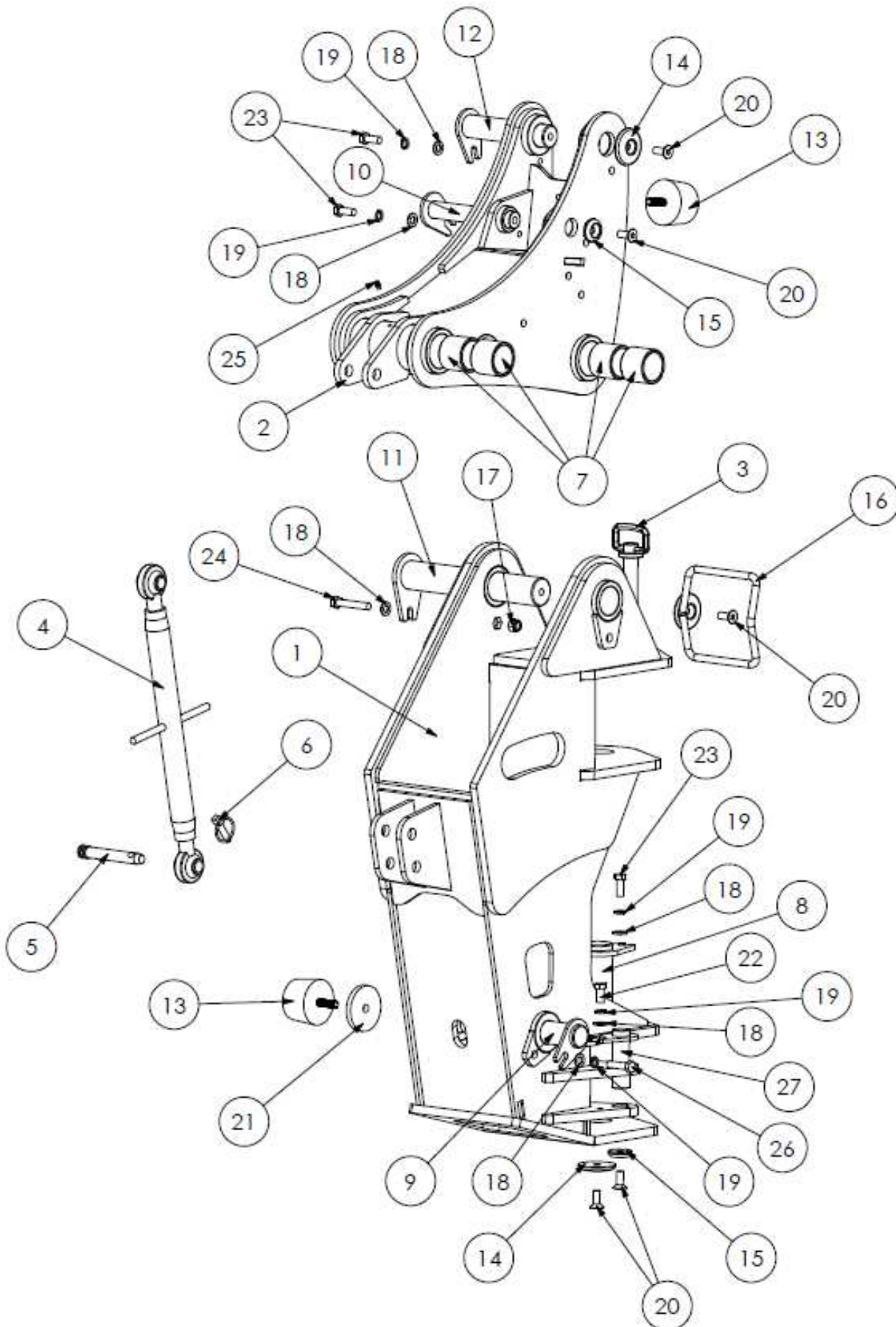
Spearhead 6 Series

TANK

REF NO.	PART NO.	QTY.	DESCRIPTION
1	1777363C	1	LH TANK
1	1777363CR	1	RH TANK
2	1777370B	1	LH REAR PANEL
2	1777370BR	1	RH REAR PANEL
3	1777103B	1	TANK COVER PLATE
4	1777869	1	LH TANK LID
4	1777869R	1	RH TANK LID
5	6770939	1	WIRE ROPE
6	2770203	14	M10 RIVNUT
7	5771633A	1	GASKET
8	8770659	-	LIGHT
8A	8770669A	-	LIGHT LENS
9	3900068	1	RETURNS FILTER
10	3900068A	1	FILTER ELEMENT
11	3360095	2	1 1/4" M-M ADAPTOR
12	3260075	2	2 1/4" BONDED SEAL
13	8400300	1	HINGE
14	3900069	1	LEVEL GAUGE
15	1777937A	1	LH TOOL TRAY
15	1777937AR	1	RH TOOL TRAY
16	2770580	15	M5 X 16 SCREW
17	3900050	1	TANK FILLER
18	2770368	1	M8 X 30 SKT BUTTON SCREW
19	2770432	2	M8 FLAT WASHER
20	2770416	1	M8 NYLOCK NUT
21	T1698	2	TANK BUNG
22	2770436	4	M12 FLAT WASHER
22a	2770353	14	FIBRE WASHER
23	2770442	2	M12 SPRING WASHER
24	2770420	2	M12 X 30 BOLT
25	8550142	2	LATCH AND CLASP
26	2770255	3	M10 X 25 COACH BOLT
27	2770434	17	M10 FLAT WASHER
28	2770438	3	M10 FULL NUT
29	1778352	-	LATCH
30	2770391	15	M5 FLAT WASHER
31	2770394	10	M5 NYLOCK NUT
32	3151084	1	OIL COOLER
32A	8770603	4	RUBBER MOUNT
32B	2770416	8	M8 NYLOCK NUT
32C	2770432	8	M8 FLAT WASHER
32D	47313.03	1	THERMOSTAT
36	3900053	1	SUCTION FILTER

Spearhead 6 Series

SLEW & LIFT FRAME



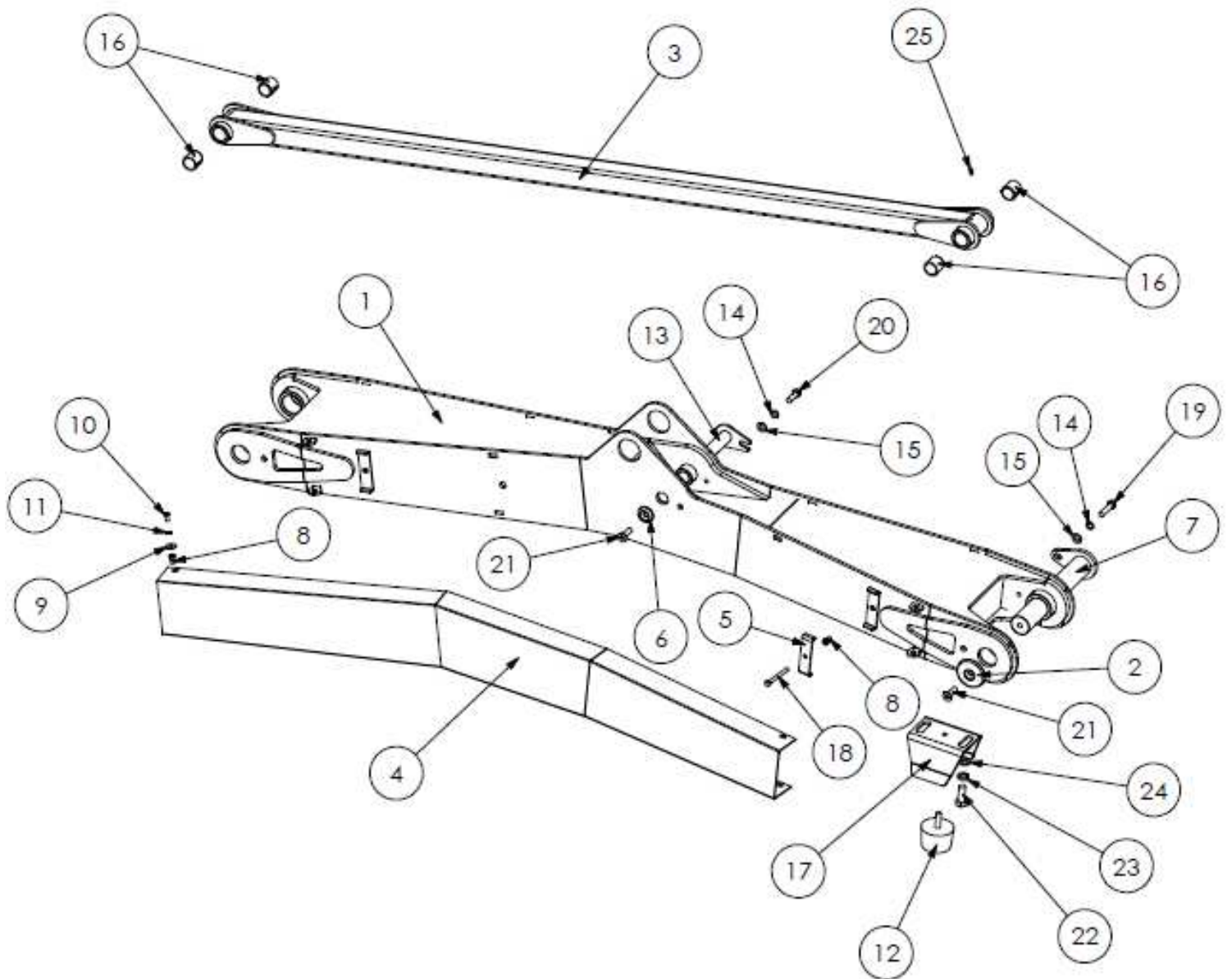
Spearhead 6 Series

SLEW & LIFT FRAME

REF NO.	PART NO.	QTY.	DESCRIPTION
1	1777351C	1	LH SLEW POST
1	1777351CR	1	RH SLEW POST
2	1777352C	1	LIFT FRAME
3	6310239	1	TRANSPORT PIN
4	6310233A	1	TRANSPORT LINK
5	6310202	2	PIN
6	00.372.01	2	LYNCH PIN
7	4600123	8	BUSH
8	1782057	2	PEAR PIN: 50 X 190 mm
9	1782058	1	PEAR PIN: 40 X 246 mm
10	1782080	1	PEAR PIN: 30 X 185 mm
11	1782079	1	PEAR PIN: 50 X 300 mm
12	1782055	2	PEAR PIN: 40 X 185 mm
13	8770634	2	RUBBER CUSHION
14	1777208	4	RETAINING WASHER - 65 mm
15	1777209	2	RETAINING WASHER - 40 mm
16	1770693	1	HOSE GUIDE
16	1800279	OPT	HOSE GUIDE WITH CAM
17	2770417	1	M12 NYLOCK NUT
18	2770436	7	M12 FLAT WASHER
19	2770442	6	M12 SPRING WASHER
20	2770506	7	M12 X 30 SKT CSK SCREW
21	1777029	1	SPACER
22	2770484	1	M12 X 25 BOLT
23	2770420	4	M12 X 30 BOLT
24	2770617	1	M12 X 65 BOLT
25	2770467	2	M6 ST GREASE NIPPLE
26	2770397	1	M12 X 45 BOLT
27	1777554	1	PEAR PIN: 30 X 86 mm

Spearhead 6 Series

MAIN ARM



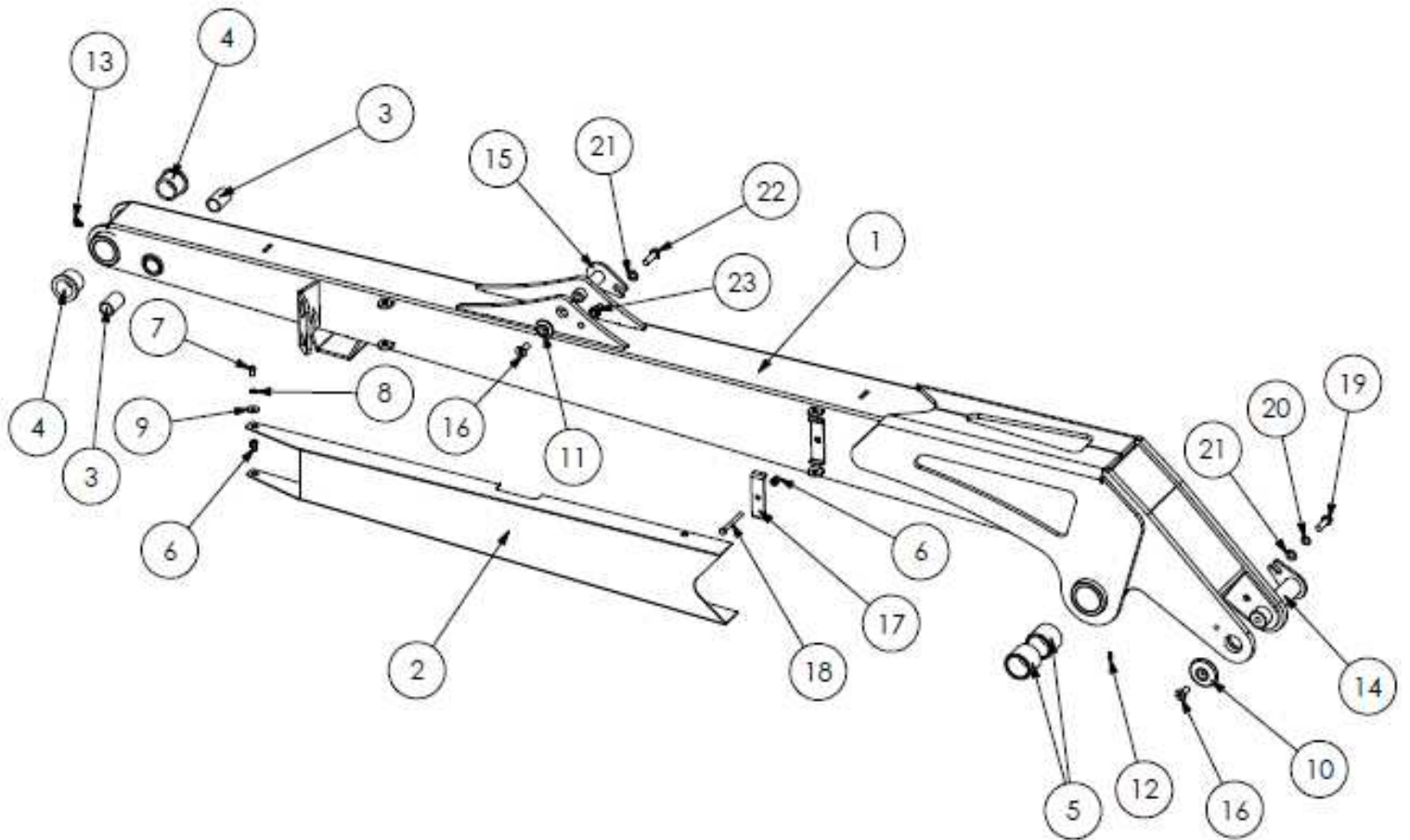
Spearhead 6 Series

MAIN ARM

REF NO.	PART NO.	QTY.	DESCRIPTION
1	1777426B	1	LH MAIN ARM - 606
1	1777426BR	1	RH MAIN ARM - 7000
1	1777354B	1	LH MAIN ARM - 686
1	1777354BR	1	RH MAIN ARM - 7000LR
1	1777426BT	1	LH MAIN ARM - 726T
1	1777426BTR	1	RH MAIN ARM - 7000T
1	1777354BT	1	LH MAIN ARM - 836T
1	1777354BTR	1	RH MAIN ARM - 7000LRT
2	1777207	2	RETAINING WASHER
3	1777427A	1	TIE BAR - 606/726T
3	1777376A	1	TIE BAR - 686/836T
4	1777431B	1	LH MAIN ARM GUARD - 606
4	1777431BR	1	RH MAIN ARM GUARD - 7000
4	1777377B	1	LH MAIN ARM GUARD - 606
4	1777377BR	1	RH MAIN ARM GUARD - 7000LR
5	1777954	2	HOSE CLAMP
6	1777209	1	RETAINING WASHER - 40 mm
7	1777437	2	PEAR PIN: 50 X 320 mm
8	2770201	6	M8 RIV-NUT
9	2770244	4	M8 REPAIR WASHER
10	2770589	4	M8 X 20 SKT BUTTON SCREW
11	05.283.01	4	M8 SHAKE PROOF WASHER
12	8770634	1	RUBBER CUSHION
13	1777555	1	PEAR PIN: 30 X 160 mm
14	2770442	3	M12 SPRING WASHER
15	2770436	3	M12 FLAT WASHER
16	4600411	4	BUSH
17	1777144	1	BUMP STOP BRACKET
18	2772289	2	M8 X 80 BOLT
19	2770419	2	M12 X 50 BOLT
20	2770535	1	M12 X 35 BOLT
21	2770506	3	M12 X 30 SKT CSK SCREW
22	05.264.35	2	M16 X 40 BOLT
23	2770456	2	M16 SPRING WASHER
24	2770454	2	M16 FLAT WASHER
25	2770467	2	M6 ST GREASE NIPPLE

Spearhead 6 Series

STANDARD DIPPER ARM



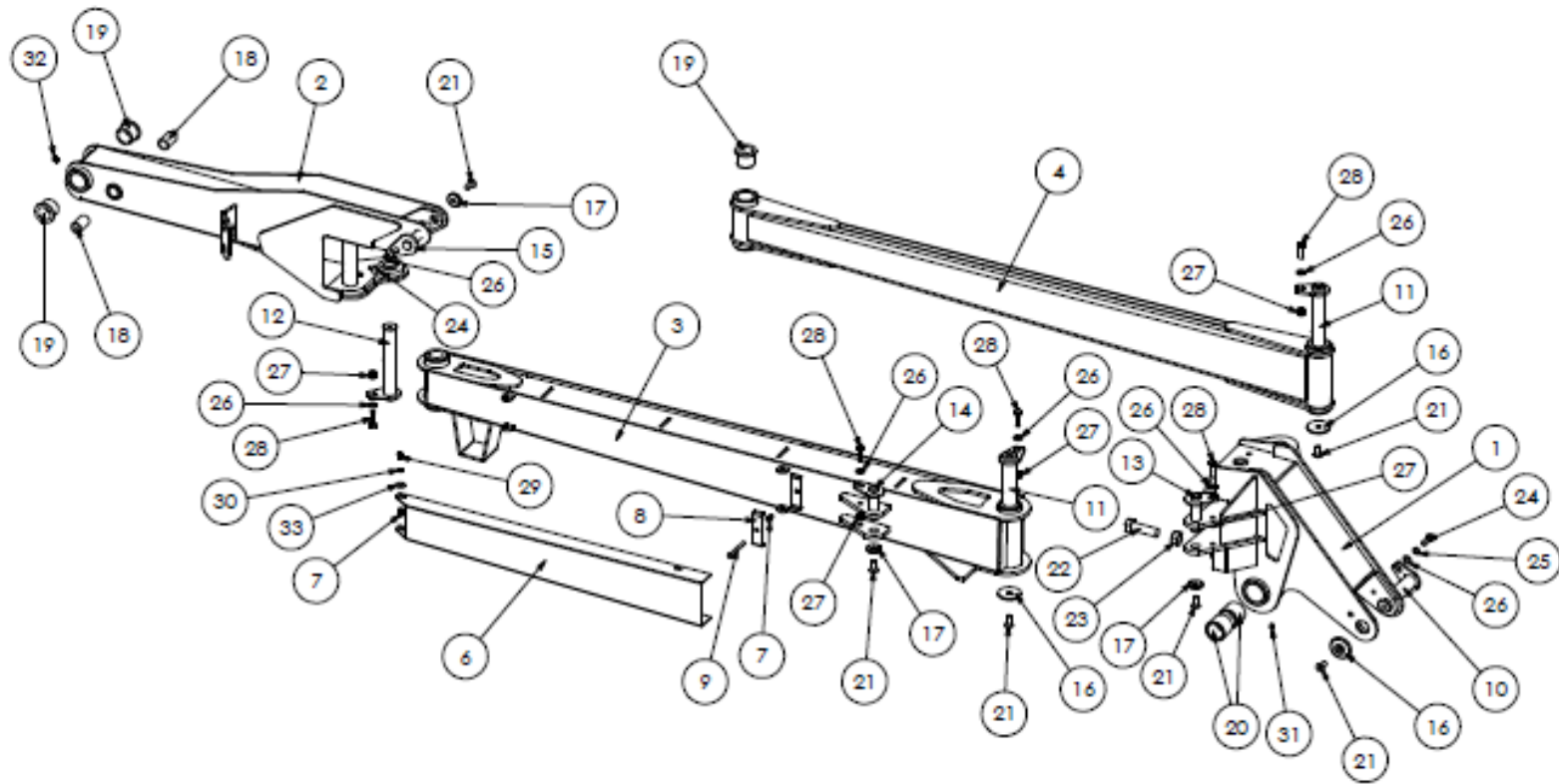
Spearhead 6 Series

STANDARD DIPPER ARM

REF NO.	PART NO.	QTY.	DESCRIPTION
1	1777435A	1	LH DIPPER ARM - 606
1	1777435AR	1	RH DIPPER ARM - 7000
1	1777356A	1	LH DIPPER ARM - 686
1	1777356AR	1	RH DIPPER ARM - 7000LR
2	1777715A	1	DIPPER ARM GUARD - 606
2	1777714A	1	DIPPER ARM GUARD - 686
3	4600124	2	BUSH
4	4600127-A	2	BUSH
5	4600123	4	BUSH
6	2770201	6	M8 RIV-NUT
7	2770370	4	M8 X 15 SKT BUTTON SCREW
8	05.283.01	4	M8 SHAKE PROOF WASHER
9	2770244	4	M8 REPAIR WASHER
10	1777208	1	RETAINING WASHER - 65 mm
11	1777209	1	RETAINING WASHER - 40 mm
12	2770467	1	M6 ST GREASE NIPPLE
13	2770497	1	M6 90 GREASE NIPPLE
14	1782054	1	PEAR PIN: 40 X 159 mm
15	1778038	1	PEAR PIN: 25.4 X 98 mm
16	2770506	2	M12 X 30 SKT CSK SCREW
17	1777954	2	HOSE CLAMP
18	2772289	2	M8 X 80 BOLT
19	2770535	1	M12 X 35 BOLT
20	2770442	1	M12 SPRING WASHER
21	2770436	1	M12 FLAT WASHER
22	2770443	1	M12 X 40 BOLT
23	2770417	1	M12 NYLOCK

Spearhead 6 Series

VFR DIPPER ARM



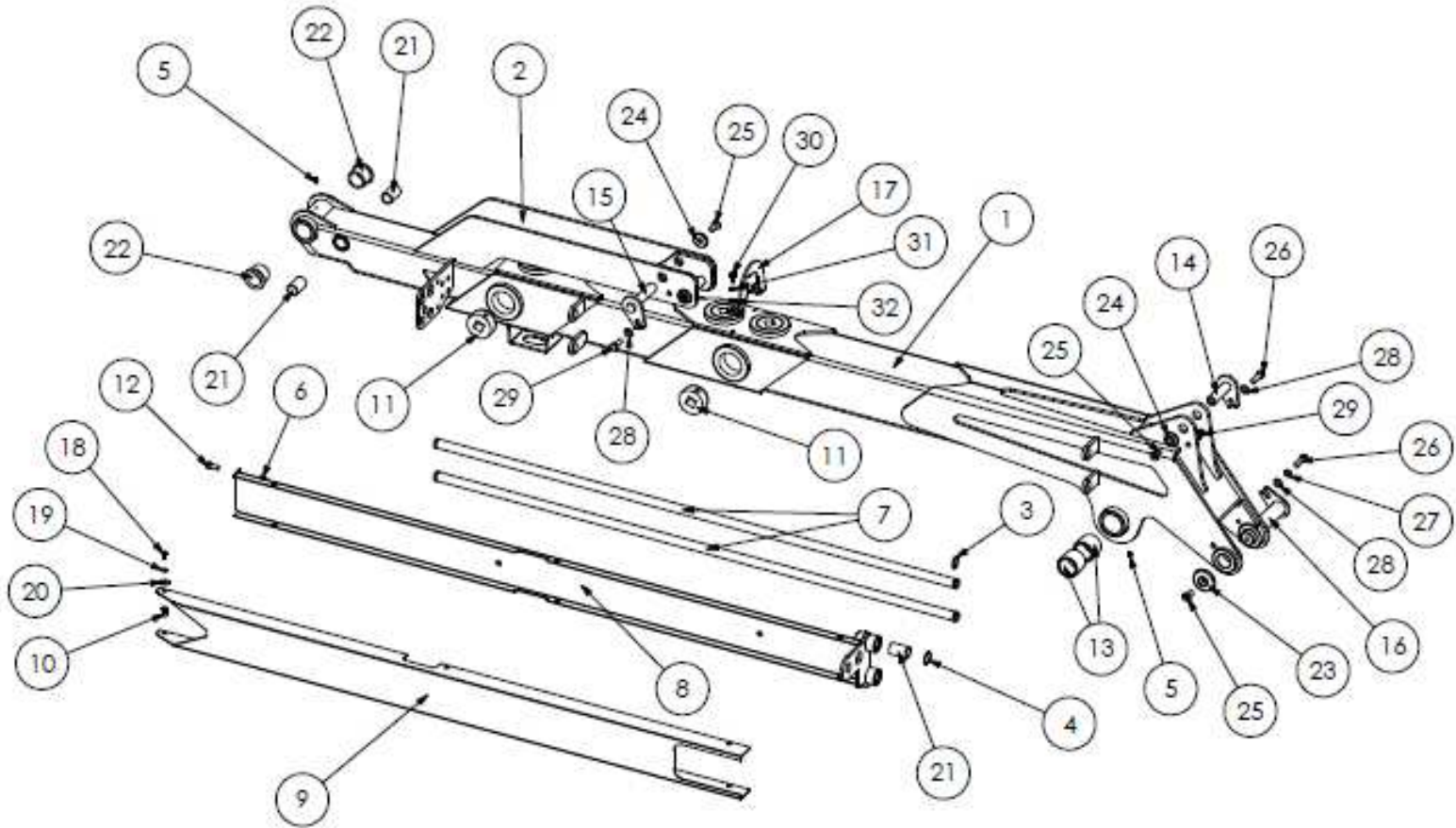
Spearhead 6 Series

VFR DIPPER ARM

REF NO.	PART NO.	QTY.	DESCRIPTION
1	1778201	1	LH VFR KNUCKLE
1	1778201R	1	RH VFR KNUCKLE
2	1778203	1	LH DIPPER ARM - 606
2	1778203R	1	RH DIPPER ARM - 7000
2	1778203A	1	LH DIPPER ARM - 686
2	1778203AR	1	RH DIPPER ARM - 7000LR
3	1778202	1	LH REAR TIE BAR
3	1778202R	1	RH REAR TIE BAR
4	1778205	1	FRONT TIE BAR
6	1778206	1	HOSE GUARD
7	2770201	6	M8 RIV-NUT
8	1777954	2	HOSE CLAMP
9	2772289	2	M8 X 80 BOLT
10	1782054	1	PEAR PIN: 40 X 159 mm
11	1777974	2	PEAR PIN: 40 X 268 mm
12	1777415	2	PEAR PIN: 40 X 220 mm
13	1778038	1	PEAR PIN: 25.4 X 98 mm
14	1771550	1	PEAR PIN: 25.4 X 84 mm
15	1777916A	1	PEAR PIN: 25.4 X 110 mm
16	1777208	4	RETAINING WASHER - 65 mm
17	1777209	3	RETAINING WASHER - 40 mm
18	4600124	2	BUSH
19	4600127-A	10	BUSH
20	4600123	4	BUSH
21	2770506	7	M12 X 30 SKT CSK SCREW
22	2770551	1	M24 X 80 BOLT
23	2770460	1	M24 FULL NUT
24	2770535	2	M12 X 35 BOLT
25	2770442	1	M12 SPRING WASHER
26	2770436	7	M12 FLAT WASHER
27	2770417	6	M12 NYLOCK
28	2770443	5	M12 X 40 BOLT
29	2770370	4	M8 X 15 SKT BUTTON SCREW
30	05.283.01	4	M8 SHAKE PROOF WASHER
31	2770467	1	M6 ST GREASE NIPPLE
32	2770497	1	M6 90 GREASE NIPPLE
33	2770244	4	M8 REPAIR WASHER

Spearhead 6 Series

TELESCOPIC ARM



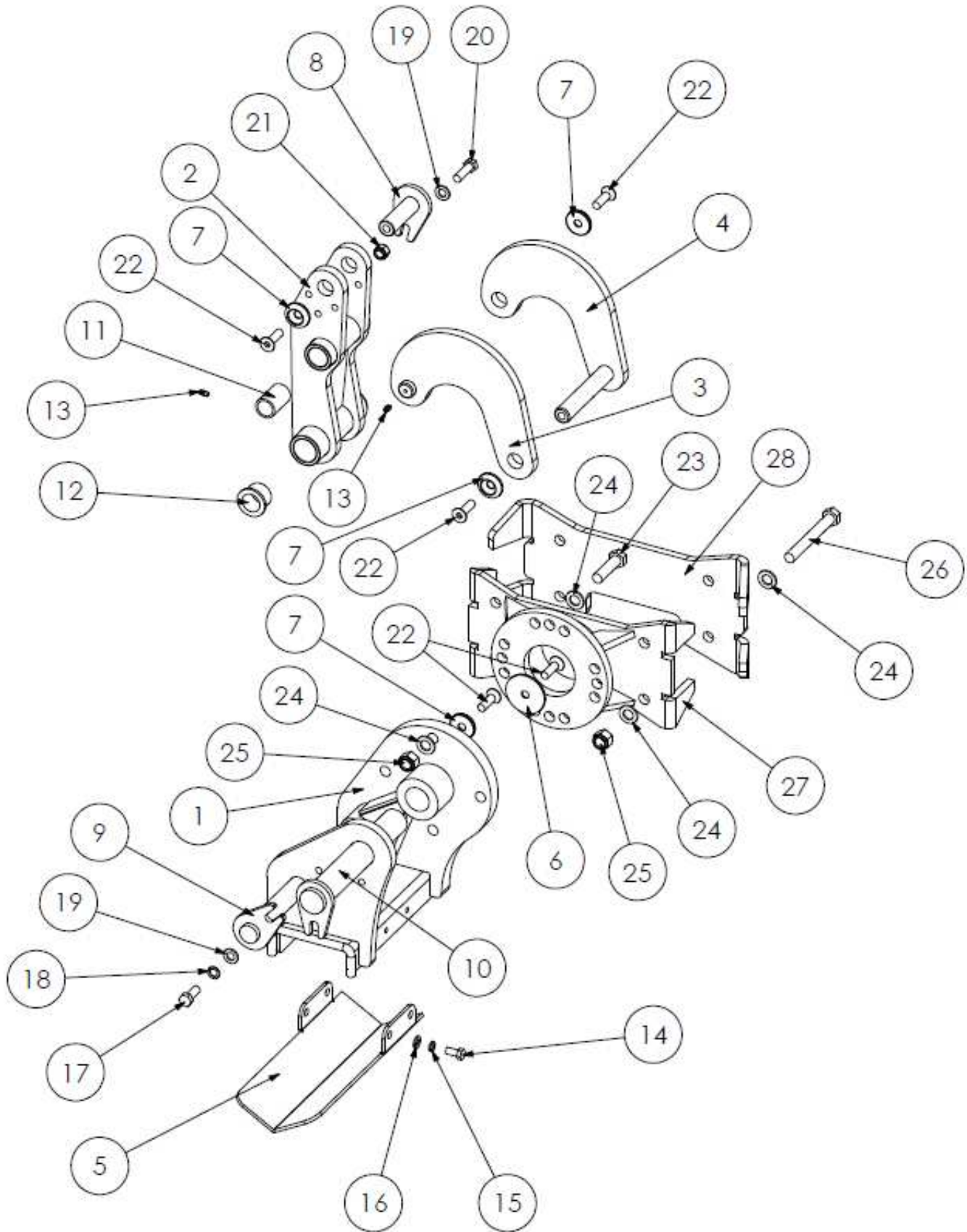
Spearhead 6 Series

TELESCOPIC ARM

REF NO.	PART NO.	QTY.	DESCRIPTION
1	1777428C	1	LH OUTER DIPPER ARM - 726T
1	1777428CR	1	RH OUTER DIPPER ARM - 7000T
1	1777347C	1	LH OUTER DIPPER ARM - 836T
1	1777347CR	1	RH OUTER DIPPER ARM - 7000LRT
2	1777619C	1	LH INNER DIPPER ARM - 726T
2	1777619CR	1	RH INNER DIPPER ARM - 7000T
2	1777346B	1	LH INNER DIPPER ARM - 836T
2	1777346BR	1	RH INNER DIPPER ARM - 7000LRT
3	2771111	4	EXTERNAL CIRCLIP
4	2771112	2	INTERNAL CIRCLIP
5	2770467	2	M6 ST GREASE NIPPLE
6	2770412	2	M10 NYLOCK
7	1778301	2	SLIDER RAIL TUBE - 726T
7	1778302	2	SLIDER RAIL TUBE - 836T
8	1777735	1	LH SLIDER RAIL - 726T
8	1777735R	1	RH SLIDER RAIL - 7000T
8	1777736	1	LH SLIDER RAIL - 836T
8	1777736R	1	RH SLIDER RAIL - 7000LRT
9	1777717	1	HOSE GUARD - 726T
9	1777718	1	HOSE GUARD - 836T
10	2770201	6	M8 RIV-NUT
11	4600121A	10	WEAR PAD
12	2770407	2	M10 X 25 BOLT
13	4600123	4	BUSH
14	1777368A	1	PEAR PIN: 25.4 X 90 mm
15	1777928A	2	PEAR PIN: 25.4 X 113 mm
16	1782055	1	PEAR PIN: 40 X 185 mm
17	1777495A	1	RAM PROTECTION LOOP
18	2770370	6	M8 X 15 SKT BUTTON SCREW
19	05.283.01	6	M8 SHAKE PROOF WASHER
20	2770244	6	M8 REPAIR WASHER
21	4600124	4	BUSH
22	4600127-A	2	BUSH
23	1777208	1	RETAINING WASHER - 65 mm
24	1777209	3	RETAINING WASHER - 40 mm
25	2770506	4	M12 X 30 SKT CSK SCREW
26	2770443	2	M12 X 40 BOLT
27	2770442	3	M12 SPRING WASHER
28	2770436	4	M12 FLAT WASHER
29	2770535	2	M12 X 35 BOLT
30	2770418	2	M10 X 20 BOLT
31	2770469	2	M10 SPRING WASHER
32	2770434	2	M10 FLAT WASHER

Spearhead 6 Series

HEAD MOUNT BRACKET



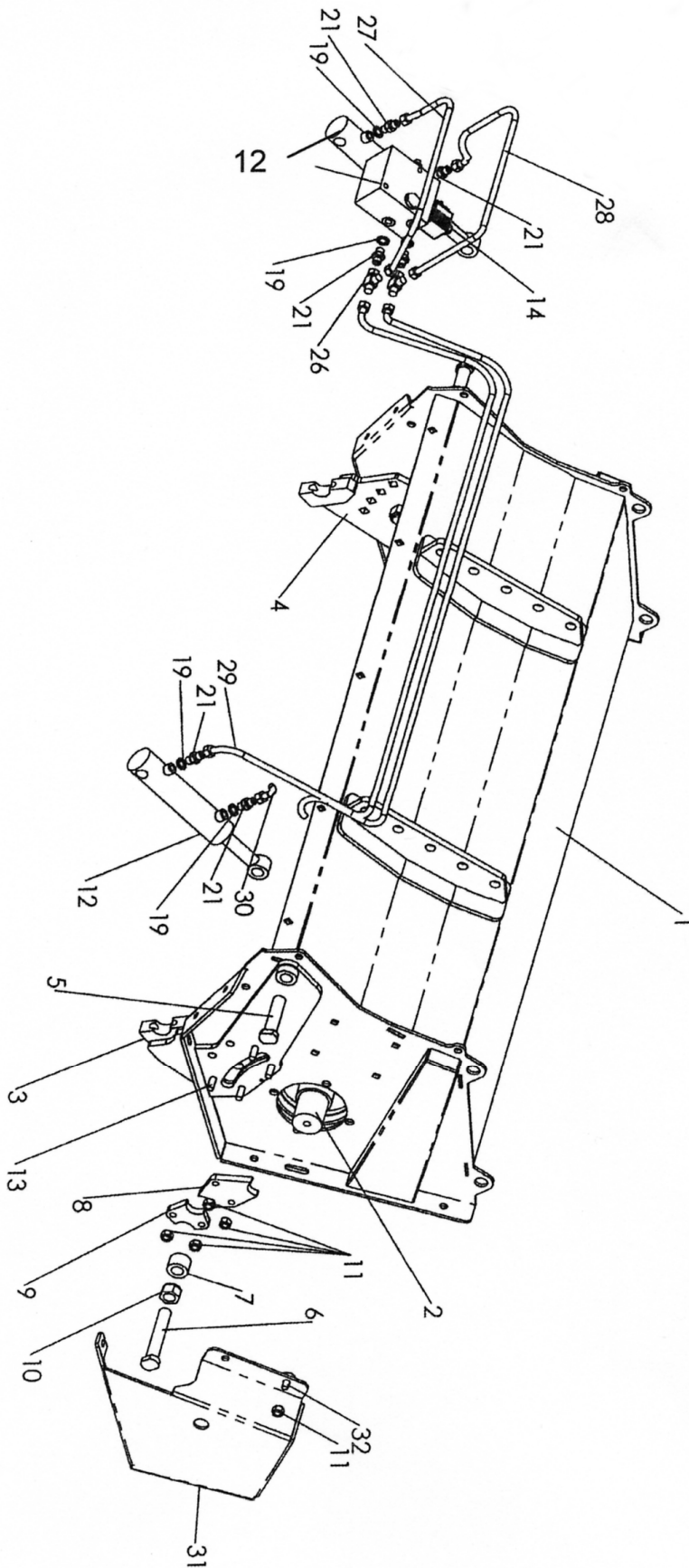
Spearhead 6 Series

HEAD MOUNT BRACKET

REF NO.	PART NO.	QTY.	DESCRIPTION
1	1777316E	1	LH BRACKET
1	1777316ER	1	RH BRACKET
2	1777116B	1	CROWD LINK
3	1777382A	1	INNER CURVED LINK
4	1777381A	1	OUTER CURVED LINK
5	1777879	1	HOSE CARRIER PLATE
6	1777208	1	RETAINING WASHER - 65mm
7	1777209	4	RETAINING WASHER - 40mm
8	1777918A	1	PEAR PIN: 25.4 X 80 mm
9	1777914A	1	PEAR PIN: 30 X 80 mm
10	1777911A	1	PEAR PIN: 40 X 80 mm
11	4600124	2	BUSH
12	4600135B	2	BUSH
13	2770467	3	M6 ST GREASE NIPPLE
14	2770418	4	M10 X 20 BOLT
15	2770469	4	M10 SPRING WASHER
16	2770434	4	M10 FLAT WASHER
17	2770420	2	M12 X 30 BOLT
18	2770442	2	M12 SPRING WASHER
19	2770436	3	M12 FLAT WASHER
20	2770443	1	M12 X 40 BOLT
21	2770417	1	M12 NYLOCK
22	2770398	5	M12 X 40 SKT CSK SCREW
23	2770423	4	M16 X 60 BOLT
24	2770454	16	M16 FLAT WASHER
25	2770447	8	M16 NYLOCK
26	2770346	4	M16 X 140 BOLT
27	1777315B	1	HEAD MOUNT BRACKET
28	1777325B	1	HEAD CLAMP PLATE

Spearhead 6 Series

DP HEAD HYDRAULIC ROLLER



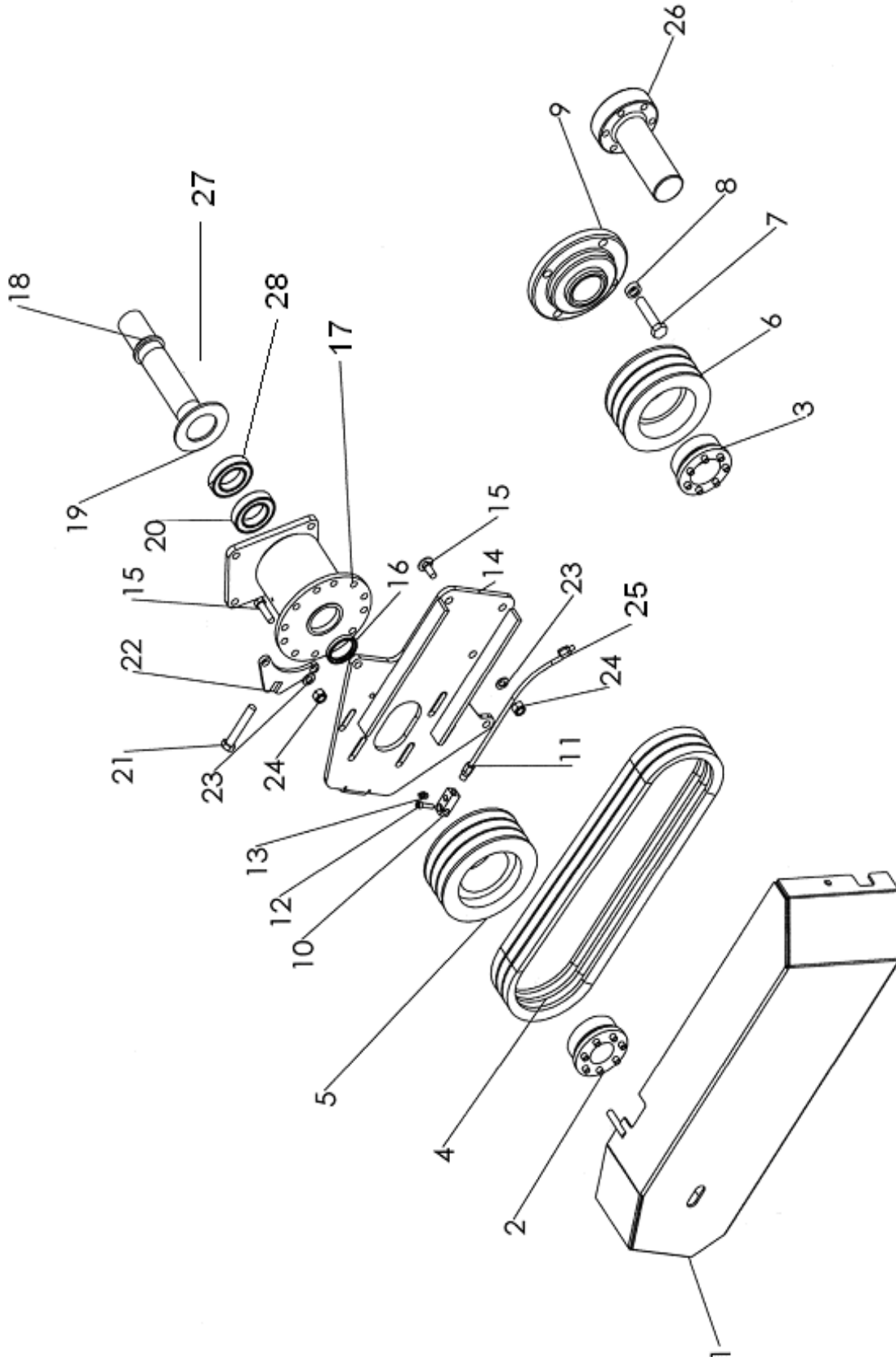
Spearhead 6 Series

MPI HEAD HYDRAULIC ROLLER

Ref. No	Part No.	English Description	French Description	German Description	Danish Description
Référence Ref. No Ref. No	Numéro de pièce Teilenummer Reservedelsnummer	Désignation en Anglais Englische beschreibung Engelsk beskrivelse	Désignation en Français Französische beschreibung Fransk beskrivelse	Désignation en Allemand Deutsche beschreibung Tysk beskrivelse	Désignation en Danois Dänische beschreibung Dansk beskrivelse
1	1778043C	Head shell – 1.2m adjustable roller			
2	N/A	Direct drive rotor			
3	1778060LA	Adjustable roller plate RH			
4	1778060RA	Adjustable roller plate LH			
5	2772308	Adjustable roller ram pin	Boulon	Bolz	Bolt
6	2772309	Adjustable roller ram rod pin	Boulon	Bolz	Bolt
7	1778062	Adjustable roll spacer bush	Bague	Buchse	Bøsning
8	1778058	Adjustable roll stop plate			
9	1778059	Adjustable roll stop plate			
10	2770344	Nylock nut	Écrou	Mutter	Møtrik
11	2770402	Nylock nut	Écrou	Mutter	Møtrik
12	3580664	Hydraulic roller ram	Vérin	Zylinder	cylinder
12a	3580664W	Seal kit	Ensemble de joints d'étanchéité	Dichtungssatz	Pakningssæt
13	2770396	Setscrew	Boulon	Bolz	Bolt
14	3610079	Valve	Cartouche	Ventil	Ventilindstats
15	3151082	Motor	Moteur hydraulique	Hydr. Motor	Hydr. Motor
26	3460100	Adaptor			
27	3760402	Roller hose	Flexible	Schlauch	Slange
28	3760403	Roller hose	Flexible	Schlauch	Slange
29	3760404	Roller hose	Flexible	Schlauch	Slange
30	3760405	Roller hose	Flexible	Schlauch	Slange
31	1778061L	Guard LH			
	1778061R	Guard RH			
Not Shown	1778069P	Motor guard LH			
	1778069PR	Motor guard RH			

Spearhead 6 Series

BELT DRIVE DP HEAD



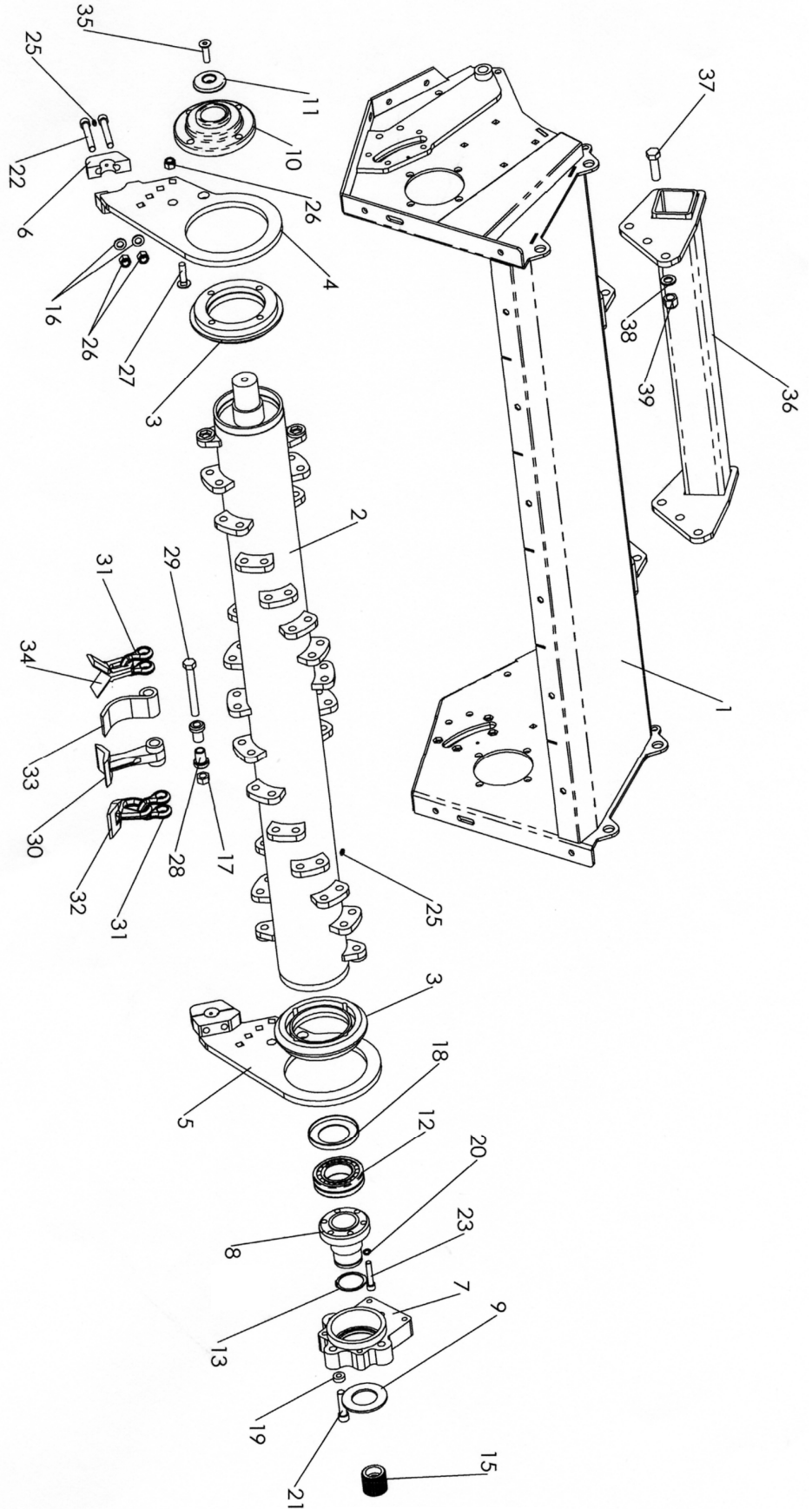
Spearhead 6 Series

BELT DRIVE MPI HEAD

Ref. No	Part No.	English Description	French Description	German Description	Danish Description
Référence Ref. No Ref. No	Numéro de pièce Teilenummer Reservedelsnummer	Désignation en Anglais Englische beschreibung Engelsk beskrivelse	Désignation en Français Französische beschreibung Fransk beskrivelse	Désignation en Allemand Deutsche beschreibung Tysk beskrivelse	Désignation en Danois Dänische beschreibung Dansk beskrivelse
1	1777925	Belt guard LH			
	1777925R	Belt guard RH			
2	4770921	Clamping element			
3	4770922	Clamping element			
4	4770868	Belt			
5	4770925	Pulley (160)			
6	4770924	Pulley (150)			
7	2770546	Bolt	Boulon		
8	2770457	Spring washer	Rondelle	Scheibe	Skive
9	4770858	Rotor bearing	Roulement		
10	2772301	Anchor block			
11	2772305	Grease tube			
12	2770371	Bolt	Boulon		
13	2770468	Grease nipple	Embout de graissage	Schmier Nippel	Smørenippel
14	1778047	Belt drive back plate LH			
	1778047R	Belt drive back plate RH			
15	2770257	Bolt	Boulon		
16	4771505	Oil seal	Joint à huile		
17	1777920B	Bearing housing			
18	1800282	Belt drive motor shaft	Arbre	Welle	Aksel
19	1777806A	Bush	Bague		
20	4770872	Bearing	Roulement		
21	2770382	Bolt	Boulon		
22	1777939	Belt drive adjustable plate			
23	2770434	Washer	Rondelle	Scheibe	Skive
24	2770412	Nut	Écrou		
25	2772306	Grease tube connector			
26	1771536B	Stub shaft			
26a	2772293	Screw	Boulon		
27	2771109	Circlip	Bague-Anneau	Lockring	Låsering
28	4771607	Bearing	Roulement		

Spearhead 6 Series

DIRECT DRIVE DP HEAD



Item 2 - DP Rotor Assemblies (140mm Diameter)

- 1.2m Rotor – 1777514C – ‘C’ Flail
- 1.2m Rotor – 1777514B – ‘T’ Flail
- 1.2m Rotor – 1777514A – ‘Boot’ Flail
- 1.2m Rotor – 1777514D – ‘BB’ Flail
- 1.5m Rotor – 1777342J - ‘C’ Flail
- 1.5m Rotor – 1777342K - ‘T’ Flail
- 1.5m Rotor – 1777342L - ‘Boot’ Flail

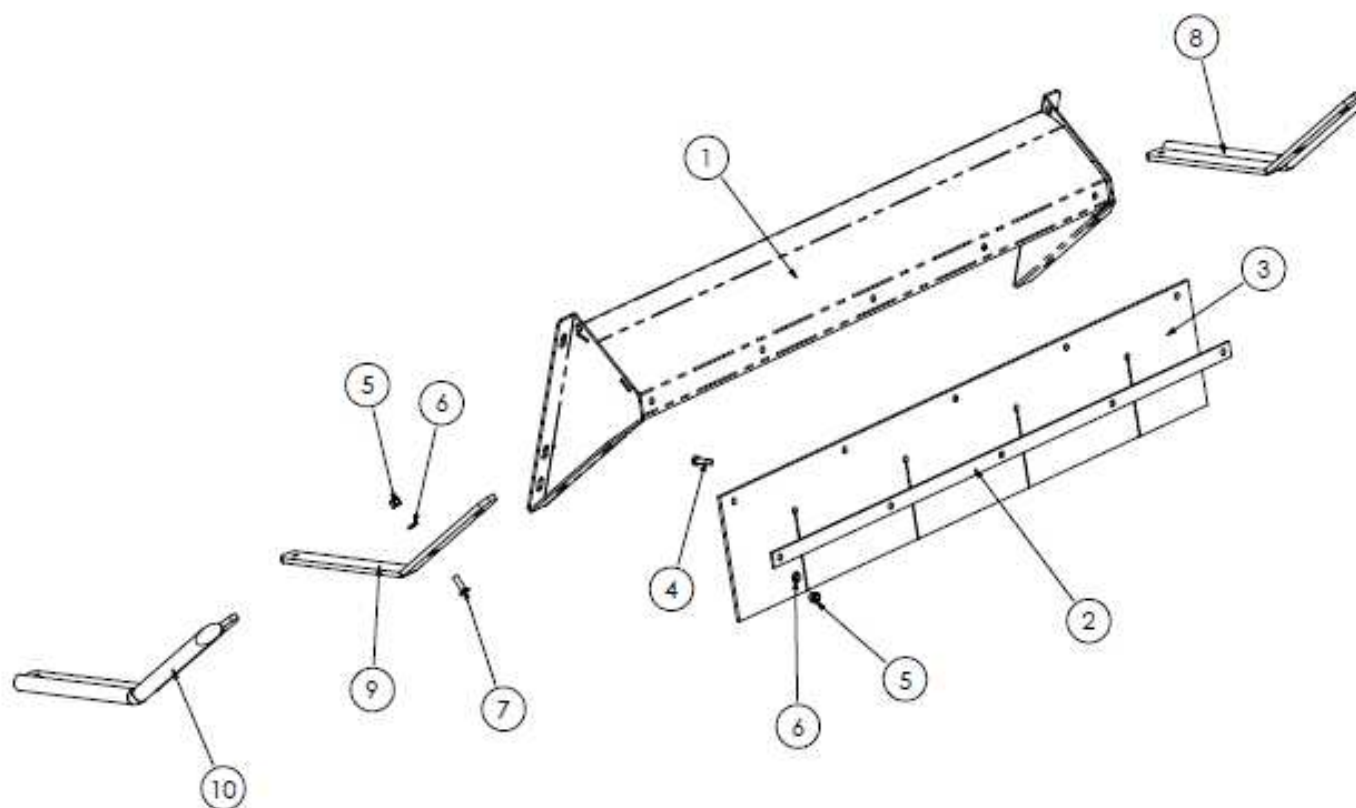
Spearhead 6 Series

DIRECT DRIVE MPI HEAD

Ref. No	Part No.	English Description	French Description	German Description	Danish Description
Référence Ref. No Ref. No	Numéro de pièce Teilenummer Reservedelsnummer	Désignation en Anglais Englische beschreibung Engelsk beskrivelse	Désignation en Français Französische beschreibung Fransk beskrivelse	Désignation en Allemand Deutsche beschreibung Tysk beskrivelse	Désignation en Danois Dänische beschreibung Dansk beskrivelse
1	1778043C	Head shell – 1.2m	Construction	Haube – 1,2 m	Skjold – 1,2 m
1a	1777340E	Head shell – 1.5m	Construction	Haube – 1,5 m	Skjold – 1,5 m
3	040001B	Rotor bearing protection	Proecteur	Lager Schutz	Leje beskyttelse
4	1778060RA	Adjustable roll clamp RH			
5	1778060LA	Adjustable roll clamp LH			
6	040000D	Adjustable roll clamp			
7	1778032	Bearing housing plate	Palier-Roulement	Lagerhaus	Lejehus
8	1777975	Rotor drive end			
8a	1771536B	Belt drive stub	Arbre	Welle	Aksel
9	1777806	Bush	Bague	Buchse	Bøsning
10	4770858	Bearing	Roulement	Lager	Leje
10a	2770452	Bolt	Boulon	Bolz	Bolt
11	1777208	Washer	Rondelle	Scheibe	Skive
	1778046	Bearing guard LH			
	1778046R	Bearing guard RH			
12	4770666	Bearing	Roulement		
13	2777511	Circlip	Bague-Anneau	Lockring	Låsering
15	3151083	Bush	Bague	Buchse	Bøsning
15d	2777522	Circlip	Bague-Anneau		
16	2770436	Washer	Rondelle	Scheibe	Skive
17	05.968.06	Lock nut	Écrou	Mutter	Møtrik
18	3570676	Seal			
19	2770457	Washer	Rondelle	Scheibe	Skive
20	2770469	Washer	Rondelle	Scheibe	Skive
21	2770337	Cap screw	Boulon	Bolz	Bolt
22	2770347	Cap screw	Boulon	Bolz	Bolt
23	2772293	Cap screw	Boulon	Bolz	Bolt
24	2770396	Set screw	Boulon	Bolz	Bolt
25	2770467	Grease nipple	Embout de graissage	Schmier Nippel	Smørenippel
26	2770417	Nylock nut	Écrou	Mutter	Møtrik
27	2770259	Square bolt	Boulon	Bolz	Bolt
28	1777721	Flail bush	Bague	Buchse	Bøsning
29	2770599	Bolt	Boulon	Bolz	Bolt
30	7770713	'T' flail	Fleau	Schlegel	Slagle
31	7770722	Shackle boot flail	Fleau	Schlegel	Slagle
32	7770723A	Boot flail	Fleau	Schlegel	Slagle
33	7770699	'C' flail	Fleau	Schlegel	Slagle
34	7770725	Back to back flail	Fleau	Schlegel	Slagle
35	2770381	Screw	Boulon	Bolz	Bolt
36	1777938	Head mount bracket			
37	2770425	Bolt	Boulon	Bolz	Bolt
38	2770454	Flat washer	Rondelle	Scheibe	Skive
39	2770447	Nut	Écrou	Mutter	Møtrik

Spearhead 6 Series

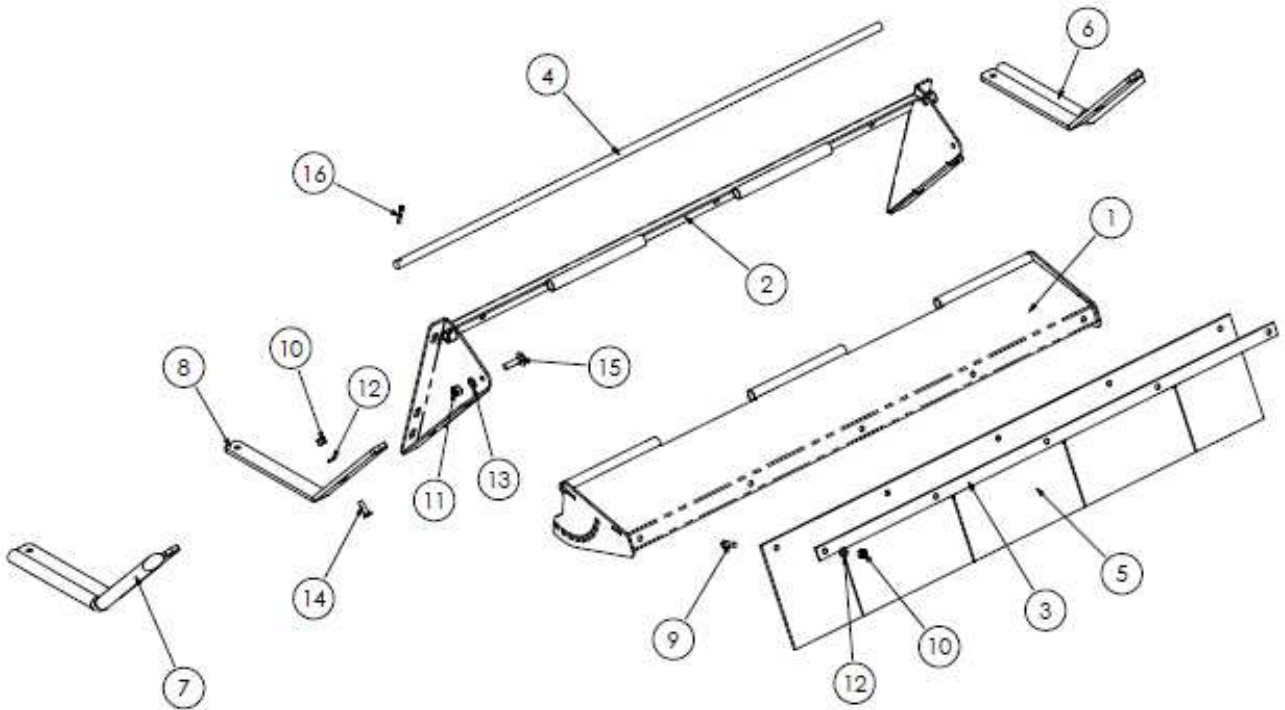
FIXED FRONT HOOD - SI80009.3I



REF NO.	PART NO.	QTY.	DESCRIPTION
1	1778066	1	FRONT HOOD
2	1777398	1	RETAINING STRIP
3	8400204	1	RUBBER STRIP
4	2770396	5	M10 X 35 BOLT
5	2770412	8	M10 NYLOCK NUT
6	2770434	8	M10 FLAT WASHER
7	2770509	6	M10 X 40 SKT CSK SCREW
8	1777544L	1	COWL WEAR PLATE LH
9	1777544	2	SKID
10	1777544R	1	COWL WEAR PLATE RH

Spearhead 6 Series

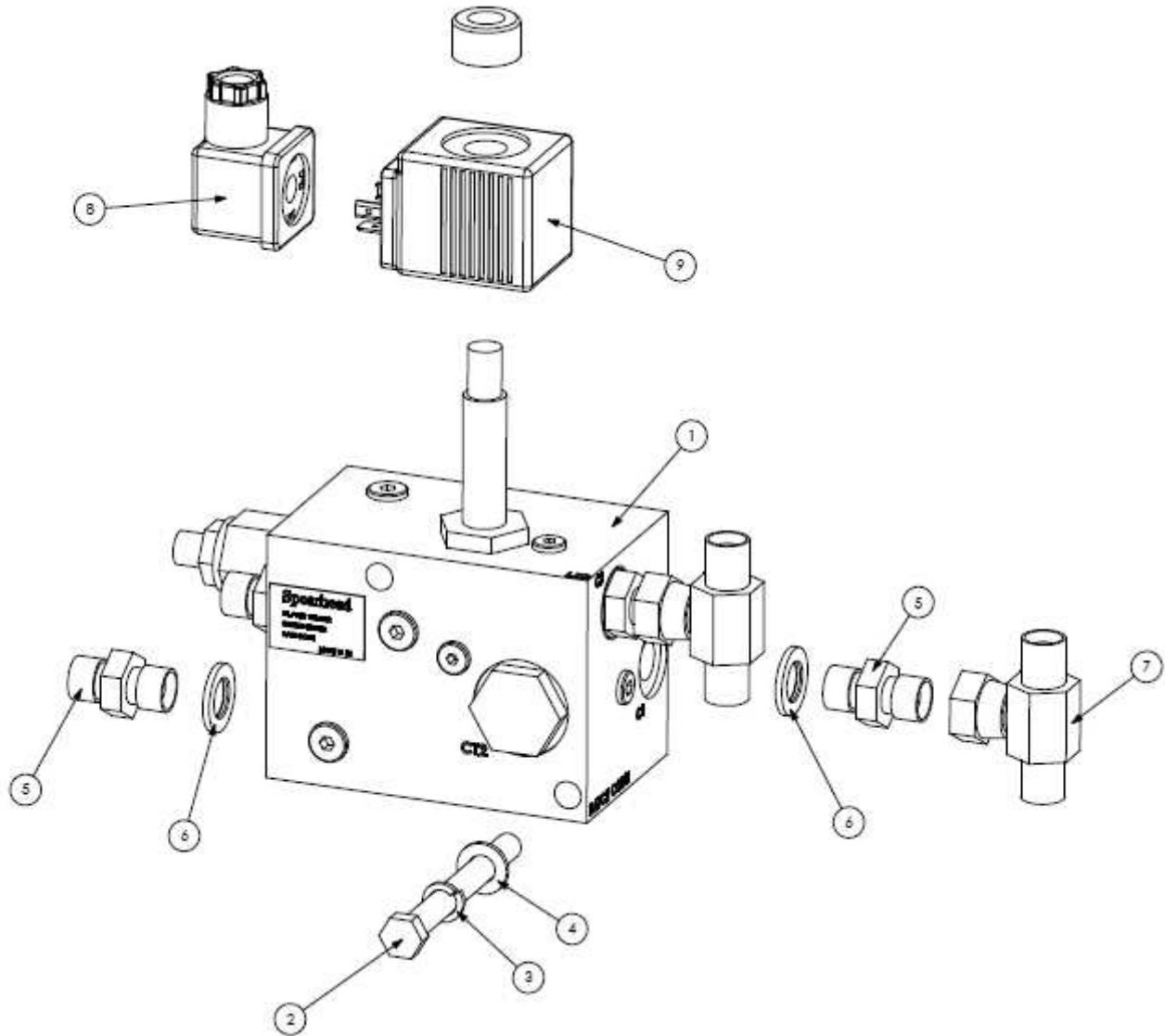
ADJUSTABLE FRONT HOOD - SI80009.32



REF NO.	PART NO.	QTY.	DESCRIPTION
1	1778064	1	FRONT HOOD
2	1778065	1	HOOD MOUNT BRACKET
3	1777398	1	RETAINING STRIP
4	1777493A	1	HINGE BAR
5	8400204	1	RUBBER STRIP
6	1777543L	1	COWL WEAR PLATE LH
7	1777543R	1	COWL WEAR PLATE RH
8	1777543	2	SKID
9	2770396	5	M10 X 35 BOLT
10	2770412	11	M10 NYLOCK NUT
11	2770417	2	M12 NYLOCK NUT
12	2770434	11	M10 FLAT WASHER
13	2770436	2	M12 FLAT WASHER
14	2770509	6	M10 X 40 SKT CSK SCREW
15	05.839.36	2	M12 X 50 COACH BOLT
16	05.284.27	1	ROLL PIN

Spearhead 6 Series

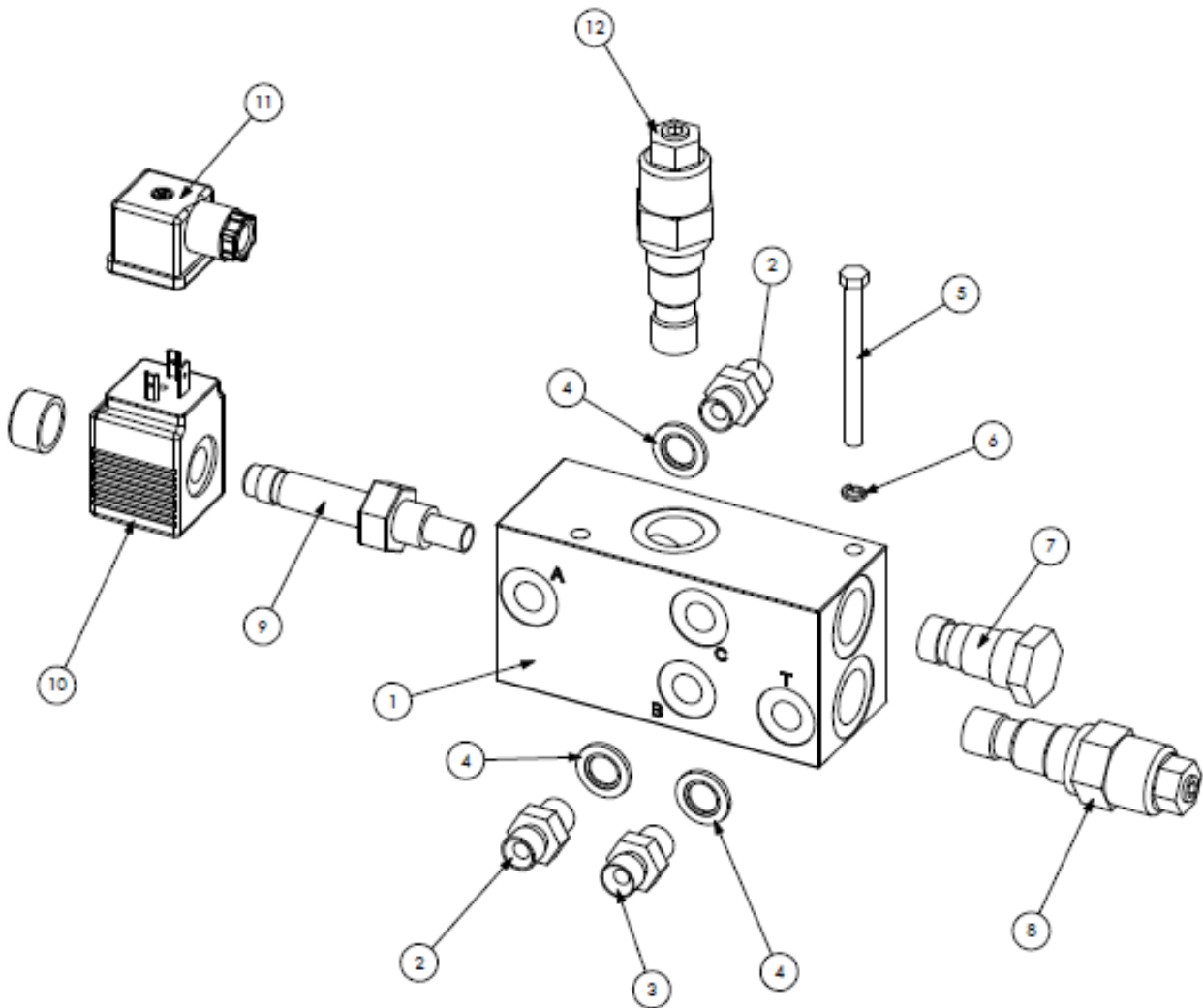
HYDRAULIC ROLLER VALVE - SI80018.28



REF NO.	PART NO.	QTY.	DESCRIPTION
1	3610082	1	VALVE ASSEMBLY
2	2772289	2	M8 X 80 BOLT
3	2770433	2	M8 SPRING WASHER
4	2770432	2	M8 FLAT WASHER
5	3360080	4	1/4" M-M
6	3260070	4	1/4" BONDED SEAL
7	3460101	2	1/4" TEE
8	3610048	0	DIN CONNECTOR
9	3610030A	0	COIL

Spearhead 6 Series

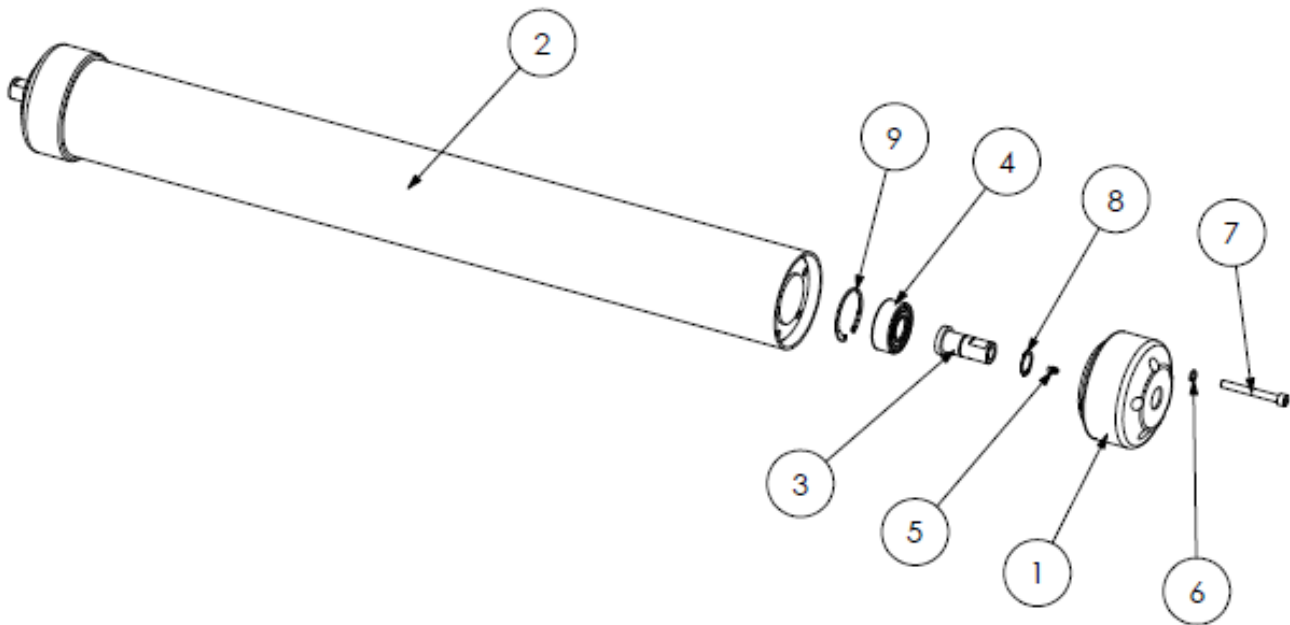
BREAK BACK VALVE – S180028.4I



REF NO.	PART NO.	QTY.	DESCRIPTION
1	3610057	1	VALVE ASSEMBLY
2	3360080	6	¼" M-M
3	3360097	1	¼" M-M R1
4	3260070	7	¼" BONDED SEAL
5	30.068.93	2	M6 X 70 BOLT
6	05.282.07	2	M6 SPRING WASHER
7	3610054	-	P.O.C. CARTRIDGE
8	3600144	-	RELIEF VALVE CARTRIDGE
9	3610032A	-	SOLENOID CARTRIDGE
10	3610052	-	COIL
11	3610048	-	DIN CONNECTOR
12	3600137	-	SEQUENCE CARTRIDGE

Spearhead 6 Series

REAR ROLLER



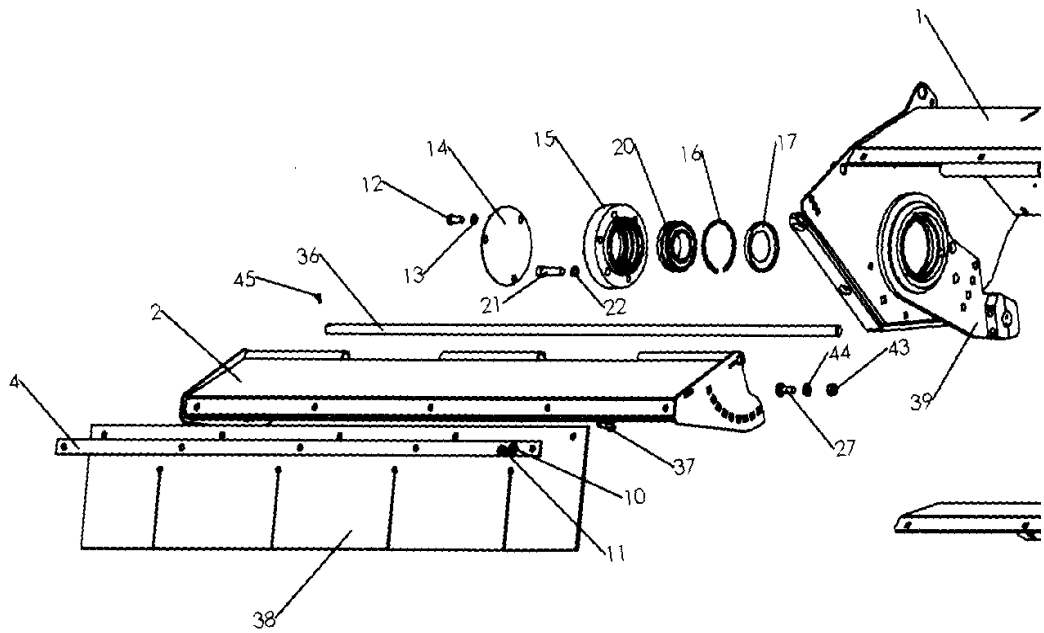
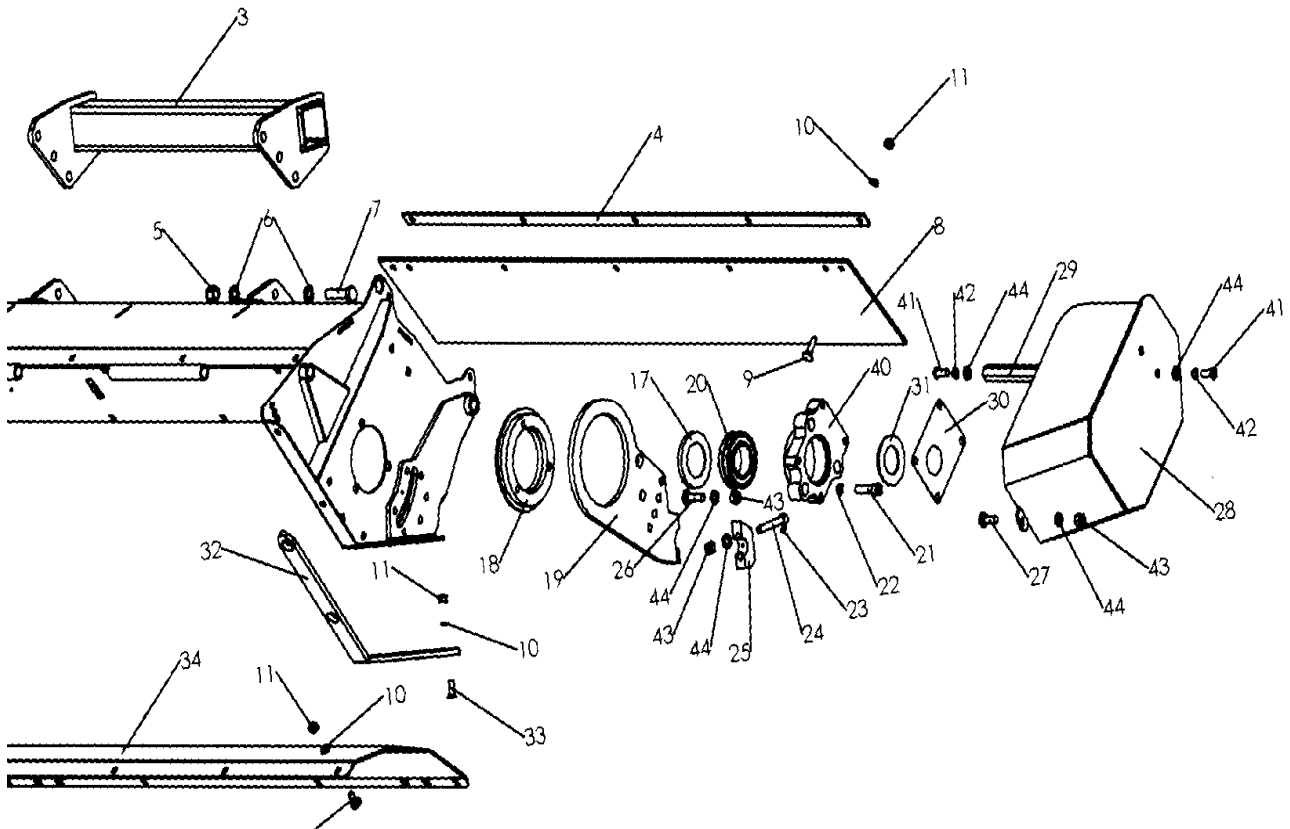
Spearhead 6 Series

REAR ROLLER

REF NO.	PART NO.	QTY. 1.2M	QTY. 1.5M	DESCRIPTION
	SA06212	1	-	ROLLER ASSEMBLY - 1.2M
	SA06215	-	1	ROLLER ASSEMBLY - 1.5M
1	180735	2	2	END CAP
2	180902	1	-	ROLLER TUBE - 1.2M
2	180903	-	1	ROLLER TUBE - 1.5M
3	180785	2	2	STUB SHAFT
4	4771608	2	2	BEARING
5	2770467	2	2	M6 ST GREASE NIPPLE
6	2770469	10	10	M10 SPRING WASHER
7	2770482	10	10	M10 X 90 SKT CAP BOLT
8	2777519	2	2	CIRCLIP
9	2771108	2	2	CIRCLIP

Spearhead 6 Series

DIRECT DRIVE MPI HEAD



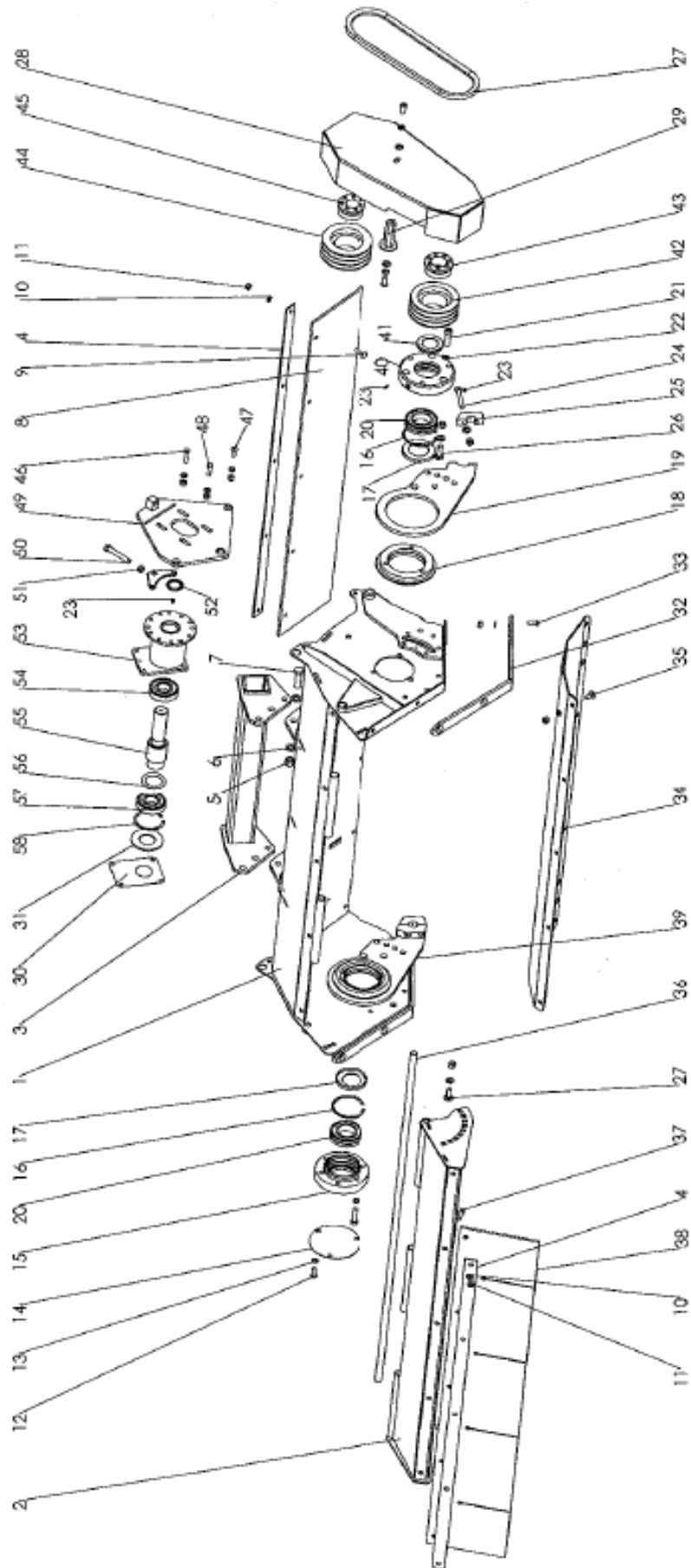
Spearhead 6 Series

DIRECT DRIVE MPI HEAD

Ref. No	Part No.	English Description	French Description	German Description	Danish Description
Référence Ref. No Ref. No	Numéro de pièce Teilenummer Reservedelsnummer	Désignation en Anglais Englische beschreibung Engelsk beskrivelse	Désignation en Français Französische beschreibung Fransk beskrivelse	Désignation en Allemand Deutsche beschreibung Tysk beskrivelse	Désignation en Danois Dänische beschreibung Dansk beskrivelse
1	1800183	Head shell – 1.2m	Construction	Haube – 1,2 m	Skjold – 1,2 m
	1800292	Head shell – 1.5m	Construction	Haube – 1,5 m	Skjold – 1,5 m
2	1778064	Front hood – 1.2m	Capot	Front Haube - 1,2 m	Front skjold – 1,2 m
	1777095C	Front hood – 1.5m	Capot	Front Haube - 1,5 m	Front skjold – 1,5 m
3	1800184	Head mount bracket	Support-Etrier	Profil Rohr	Profilrør
4	1777398	Retaining bar 1.2m	Barre	Schutz Halter 1.2m	Holder gummi 1.2m
	1777499B	Retaining bar 1.5m	Barre	Schutz Halter 1.5m	Holder gummi 1.5m
5	2770447	Locknut	Écrou	Mutter	Møtrik
6	2770454	Flat washer	Rondelle	Scheibe	Skive
7	2770425	Bolt	Boulon	Bolz	Bolt
8	8400207B	Rear flap 1.2m	Volet	Gummi Schutz	Gummiforhæng
9	2770257	Bolt	Boulon	Bolz	Bolt
10	2770434	Flat washer	Rondelle	Scheibe	Skive
11	2770412	Locknut	Écrou	Mutter	Møtrik
12	9300148	Screw	Boulon	Bolz	Bolt
13	2770442	Spring washer	Rondelle	Scheibe	Skive
14	1800186	Non drive cover	Plaque	Schutz	Beskyttelse
15	1800187	Bearing housing	Palier-Roulement	Lagerhaus	Lejehus
16	2777521	Circlip	Bague-Anneau	Lockring	Låsering
17	3570676	Seal	Joint à huile	Dichtung	Pakdåse
18	1800188	Protection ring	Proecteur	Lager Schutz	Leje beskyttelse
19	1778060L	LH roller plate	Plaque	Justierungsplatte LH	Justeringsplade LH
20	4770666	Bearing	Roulement	Lager	Leje
21	2770337	Screw	Boulon	Bolz	Bolt
22	2770457	Spring washer	Rondelle	Scheibe	Skive
23	2770467	Grease nipple	Emboutdegraissage	Schmier Nippel	Smørenippel
24	2770347	Screw	Boulon	Bolz	Bolt
25	040000D	Roller clamp		Welle halter	Bagrulleholder
26	2770259	Bolt	Boulon	Bolz	Bolt
27	2770258	Bolt	Boulon	Bolz	Bolt
28	1800255	LH motor guard	Protecteur	LH Schutz	LH Beskyttelse
	1800256	RH motor guard	Protecteur	RH Schutz	RH Beskyttelse
29	1800250	Mounting pin	Broche	Bolz	Pløk
30	3151019	Gasket	Garniture	Papier Dichtung	Papirspakning
31	1777806	Centring washer 90mm	Rondelle	Scheibe	Skive
32	1777543	Skid	Patin	Verschleisschiene	Slidskinne
33	2770509	Bolt	Boulon	Bolz	Bolt
34	1800257	Inner skin 1.2m		Platte 1.2m	Plade 1.2m
	1800297	Inner skin 1.5m		Platte 1.5m	Plade 1.5m
35	2770261	Bolt	Boulon	Bolz	Bolt
36	1800194	Hinge bar 1.2m	Barre	Stange - 1,2 m	Stang – 1,2 m
	180392	Hinge bar 1.5m	Barre	Stange - 1,5 m	Stang – 1,5 m
37	2770396	Bolt	Boulon	Bolz	Bolt
38	8400204	Front flap 1.2m	Volet	Gummi Schutz 1,2 m	Gummiforhæng 1,2 m
	8550127	Front flap 1.5m	Volet	Gummi Schutz 1,5 m	Gummiforhæng 1,5 m
39	1778060R	RH roller plate	Plaque	Justierungsplatte RH	Justeringsplade RH
40	1800198	Bearing housing	Palier-Roulement	Lagerhaus	Lejehus
41	05.625.10	Bolt	Boulon	Bolz	Bolt
42	2770442	Washer	Rondelle	Scheibe	Skive
43	2770417	Nut	Écrou	Mutter	Møtrik
44	2770436	Washer	Rondelle	Scheibe	Skive
45	05.969.02	Screw	Boulon	Bolz	Bolt

Spearhead 6 Series

BELT DRIVE MPI HEAD



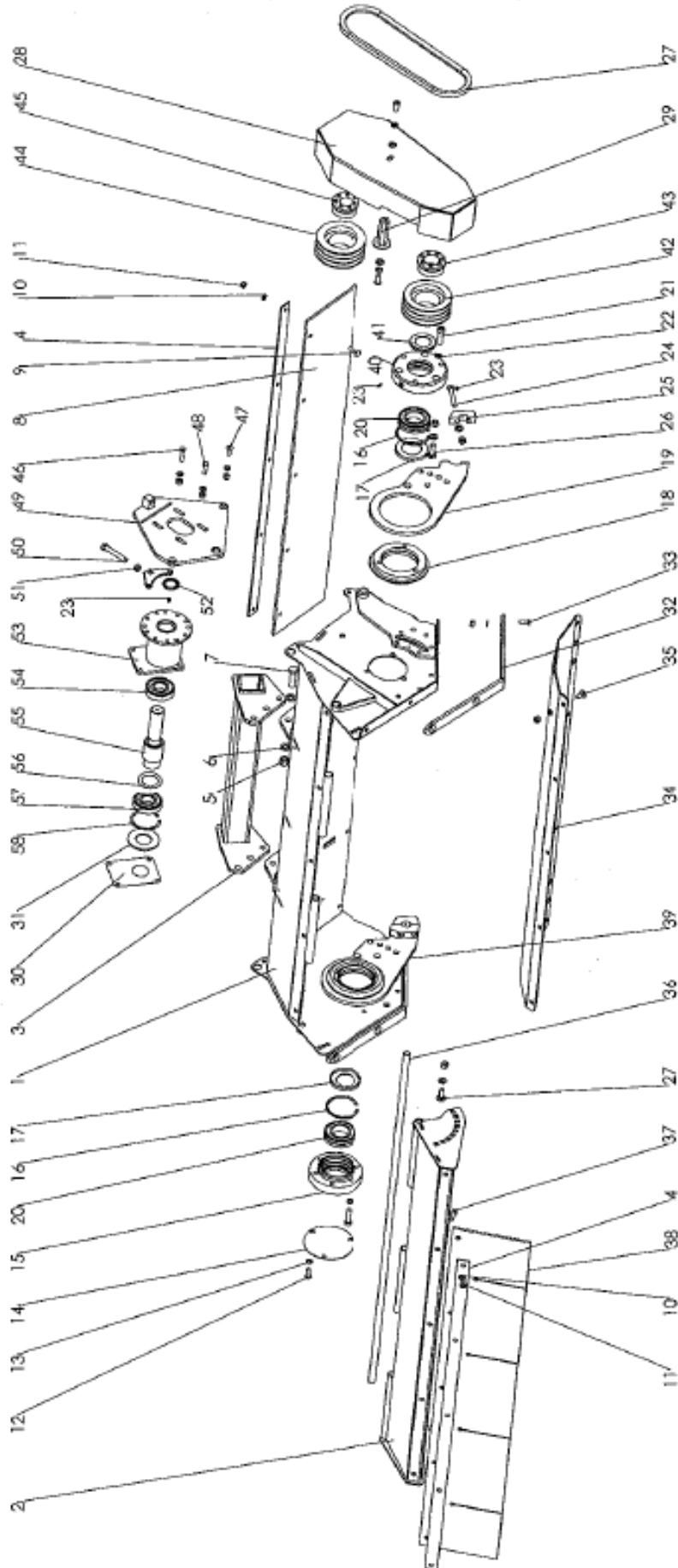
Spearhead 6 Series

BELT DRIVE MPI HEAD

Ref. No	Part No.	English Description	German Description	Danish Description
Référence Ref. No Ref. No	Numéro de pièce Teilenummer Reservedelsnummer	Désignation en Anglais Englische beschreibung Engelsk beskrivelse	Désignation en Allemand Deutsche beschreibung Tysk beskrivelse	Désignation en Danois Dänische beschreibung Dansk beskrivelse
1	1800183	1.2m Head shell	Haube 1.2m	Skjold 1.2m
	1800292	1.5m Head shell	Haube 1.5m	Skjold 1.5m
2	1778064	1.2m Front cowl	Front haube 1.2m	Front skjold 1.2m
	1777095C	1.5m Front cowl	Front haube 1.5m	Front skjold 1.5m
3	1800184	Mounting bracket	Profil	Profilror
4	1777398	1.2m Retaining bar	Schutz Halter 1.2m	Holder gummi 1.2m
	1777499B	1.5m Retaining bar	Schutz Halter 1.5m	Holder gummi 1.5m
5	2770447	Nut	Mutter	Møtrik
6	2770454	Washer	Scheibe	Skive
7	2770425	Bolt	Bolz	Bolt
8	8400207B	1.2m Rear flap	Gummi Schutz	Gummiforhæng
	8550127	1.5m Rear flap	Gummi Schutz	Gummiforhæng
9	2770257	Bolt	Bolz	Bolt
10	2770434	Washer	Scheibe	Skive
11	2770412	Nut	Mutter	Møtrik
12	9300148	Screw	Bolz	Bolt
13	2770442	Spring washer	Scheibe	Skive
14	1800186	Cover	platte	platte
15	1800187	Bearing housing	Lagerhaus	Lejehus
16	2777521	Circlip	Lockring	Låsering
17	3570676	Seal (non drive end)	Dichtung	Pakdåse
17	4771500	Seal (pulley end)		
18	1800188	Protection ring	Lager Schutz	Leje beskyttelse
19	1778060L	LH roller plate	Justierungsplatte LH	Justeringsplade LH
20	4770666	Bearing	Lager	Leje
21	2770337	Screw	Bolz	Bolt
22	2770457	Spring washer	Scheibe	Skive
23	2770467	Grease nipple	Schmier Nippel	Smørenippel
24	2770347	Screw	Bolz	Bolt
25	040000D	Roller clamp	Welle Halter	Bagrulleholder
26	2770259	Bolt	Bolz	Bolt
27	4770868	Belt x 3	Kilerem	Keilriem
28	1800189	Belt guard	Schutz	Net
29	1800191	Mounting pin	Schutz	Net
30	3151019	Gasket	Papier Dichtung	Papirspakning
31	1777806A	Centring washer 100mm	Scheibe	Skive
32	1777543	Skid	Verschleisschiene	Slidskinne
33	2770509	Bolt	Bolz	Bolt
34	1800257	Inner skin 1.2m	Platte 1.2m	Plade 1.2m
	1800297	Inner skin 1.5m	Platte 1.5m	Plade 1.5m
35	2770261	Bolt	Bolz	Bolt
36	1800194	Hinge bar 1.2m	Stange - 1,2 m	Stang - 1,2 m
	015605-04	Hinge bar 1.5m	Stange - 1,5 m	Stang - 1,5 m
37	2770396	Bolt	Bolz	Bolt
38	8400204	Front flap 1.2m	Gummi Schutz 1.2m	Gummiforhæng 1.2m
	8400208	Front flap 1.5m	Gummi Schutz 1.5m	Gummiforhæng 1.5m
39	1779060R	RH roller plate	Justierungsplatte RH	Justeringsplade RH
40	1800187	Bearing housing	Lagerhaus	Lejehus

Spearhead 6 Series

BELT DRIVE MPI HEAD



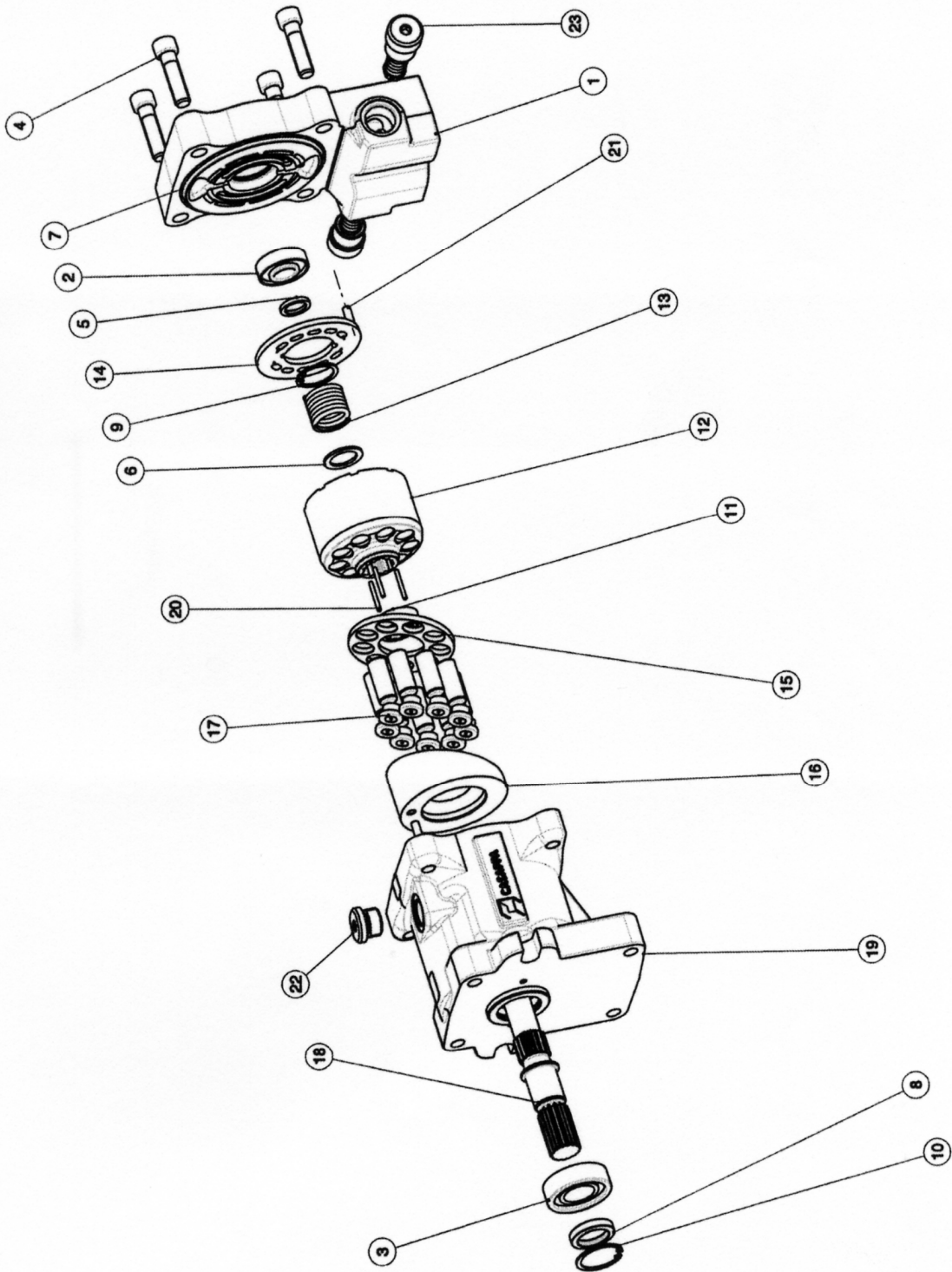
Spearhead 6 Series

BELT DRIVE MPI HEAD

Ref. No	Part No.	English Description	German Description	Danish Description
Référence Ref. No Ref. No	Numéro de pièce Teilenummer Reservedelsnummer	Désignation en Anglais Englische beschreibung Engelsk beskrivelse	Désignation en Allemand Deutsche beschreibung Tysk beskrivelse	Désignation en Danois Dänische beschreibung Dansk beskrivelse
41	4771511	Seal	Dichtung	Pakdåse
42	4770924	Pulley (150mm)	Remhjul (150)	Riemen Scheibe(150)
43	4770922	Clamp	Easy-lock	Easy-lock
44	4770925	Pulley (160mm)	Remhjul (160)	Riemen Scheibe(160)
45	4770921	Clamp	Easy-lock	Easy-lock
46	2772283	Bolt	Bolz	Bolt
47	2770520	Bolt	Bolz	Bolt
48	2770396	Bolt	Bolz	Bolt
49	1800190	Back plate	Platte	Plade
50	2770448	Bolt	Bolz	Bolt
51	2770536	Nut	Mutter	Møtrik
	1777939	Belt tensioner	Justierungs platte	Justeringsplade
52	4771505	Seal	Dichtung	Pakdåse
53	1777920B	Housing	Lagerhaus	Lejehus
54	4770872	Bearing	Lager	Leje
55	1800282	Shaft – piston motor	Motor Welle	Motor aksel
56	4600137	Shim	Scheibe	Skive
57	4771607	Bearing	Lager	Leje
58	2771109	Circlip	Lockring	Låsering

Spearhead 6 Series

HEAD MOTOR



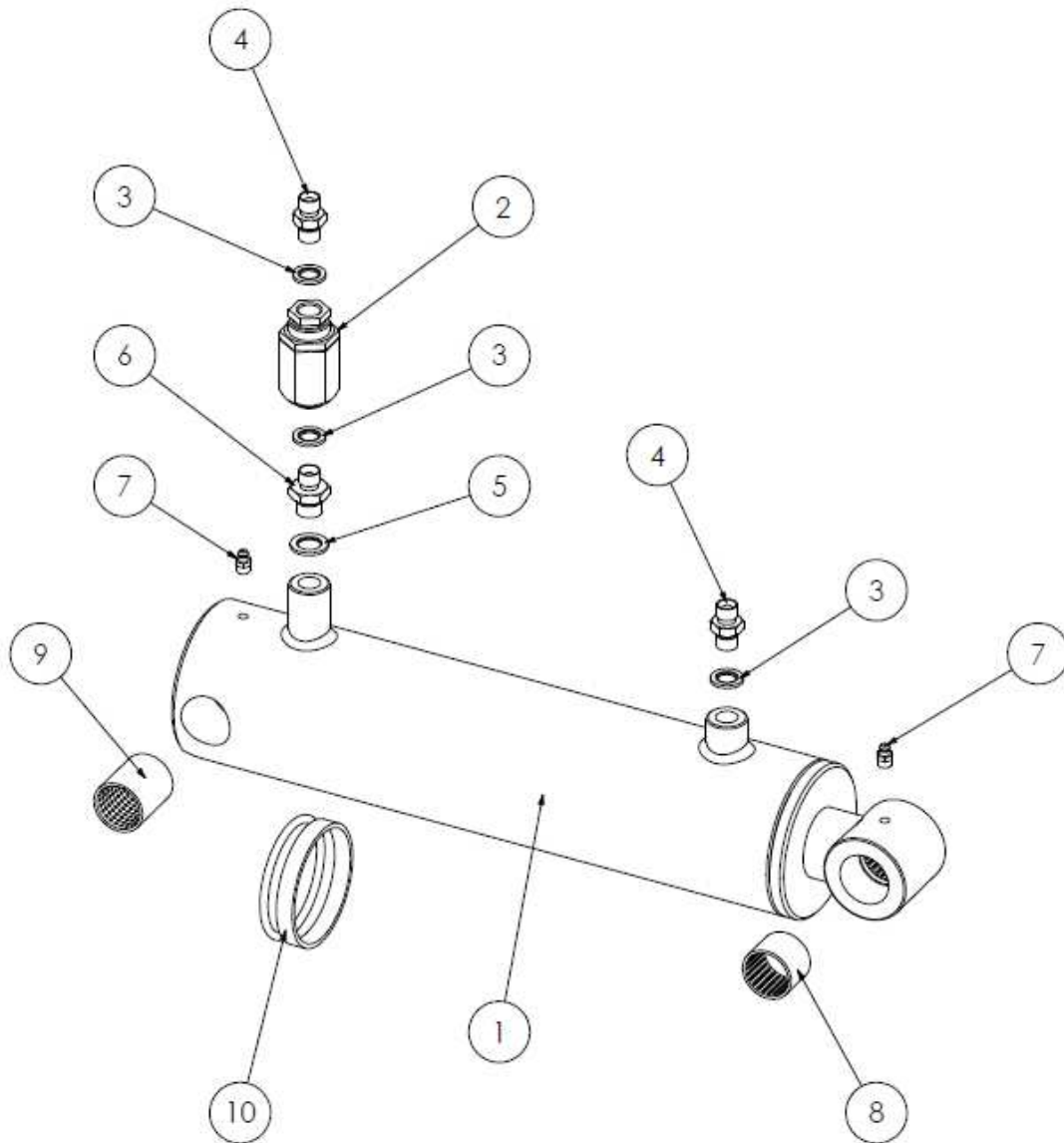
Spearhead 6 Series

HEAD MOTOR

Ref. No	Part No.	English Description	French Description	German Description	Danish Description
Référence Ref. No Ref. No	Numéro de pièce Teilenummer Reservedelsnummer	Désignation en Anglais Englische beschreibung Engelsk beskrivelse	Désignation en Français Französische beschreibung Fransk beskrivelse	Désignation en Allemand Deutsche beschreibung Tysk beskrivelse	Désignation en Danois Dänische beschreibung Dansk beskrivelse
	3151082	Motor assembly	Moteur hydraulique	Hydr. Motor	Hydr. Motor
1	-	Cover			
2	-	Bearing	Roulement	Lager	Leje
3	-	Bearing	Roulement	Lager	Leje
4	-	Screw	Boulon	Bolz	Bolt
5	-	Washer	Rondelle	Scheibe	Skive
6	-	Washer	Rondelle	Scheibe	Skive
7	3151082/1	'O' ring			
8	3151082/2	Shaft seal	Joint à huile		
9	-	Ring			
10	-	Ring			
11	-	Ring			
12	-	Cylinder block			
13	-	Spring	Resort	Feder	Fjeder
14	-	Valve plate			
15	-	Plate			
16	-	Plate			
17	-	Piston			
18	3151082/3	Input shaft			
19	-	Motor body			
20	-	Pin	Broche		
21	-	Pin	Broche		
22	-	Plug			
23	3151082/4	Anti cav. Cartridge valve			

Spearhead 6 Series

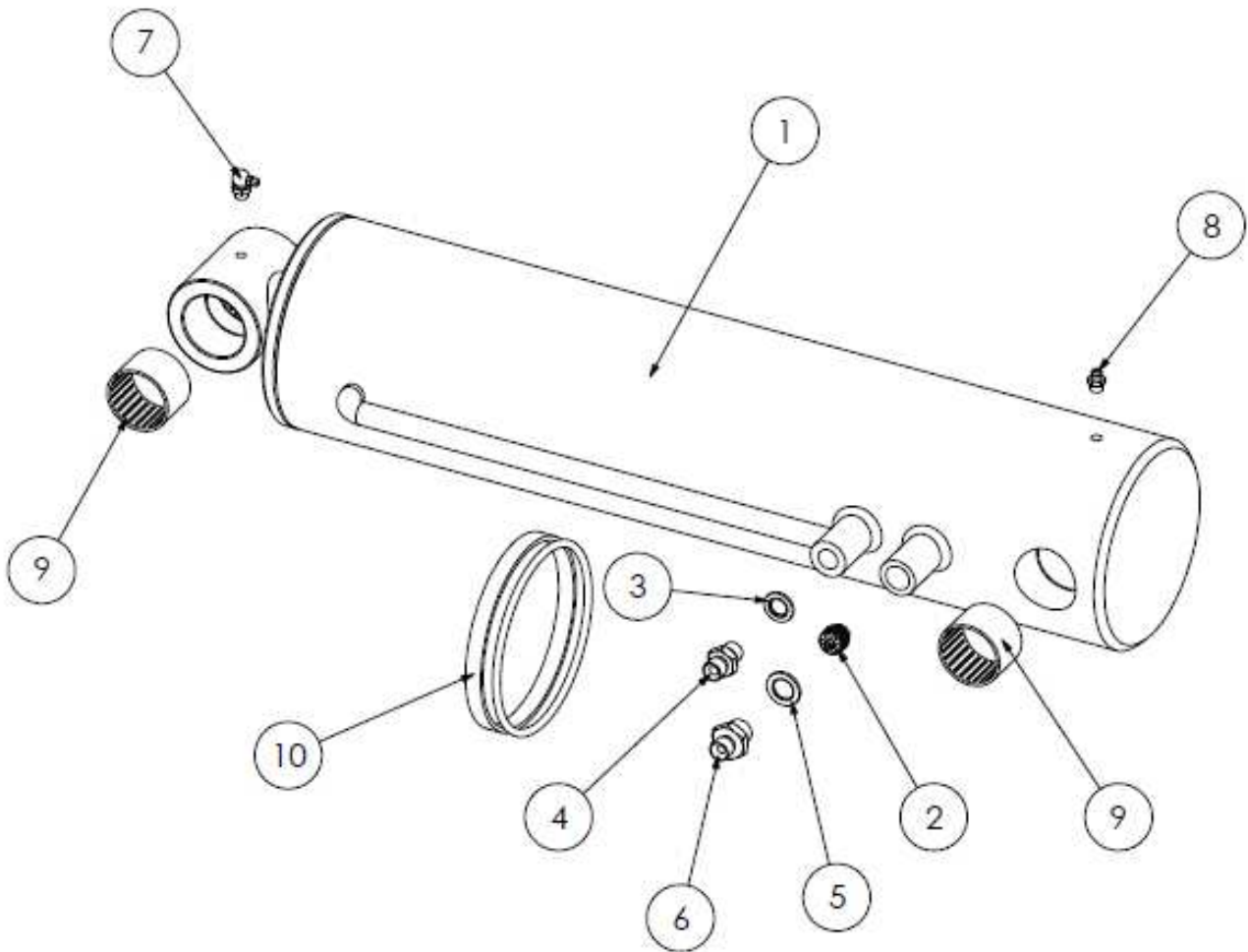
SLEW RAM - S180032.26



REF NO.	PART NO.	QTY.	DESCRIPTION
1	3580666	1	SLEW RAM
2	3900010	1	VARIABLE RESTRICTOR
3	3260070	3	1/4" BONDED SEAL
4	3360080	2	1/4" M-M ADAPTOR
5	3260071	1	3/8" BONDED SEAL
6	3360083	1	3/8" M - 1/4" M ADAPTOR
7	01.070.04	2	1/8 ST GREASE NIPPLE
8	4600412	2	BUSH
9	4600414	2	BUSH
10	3580666.01	1	SEAL KIT

Spearhead 6 Series

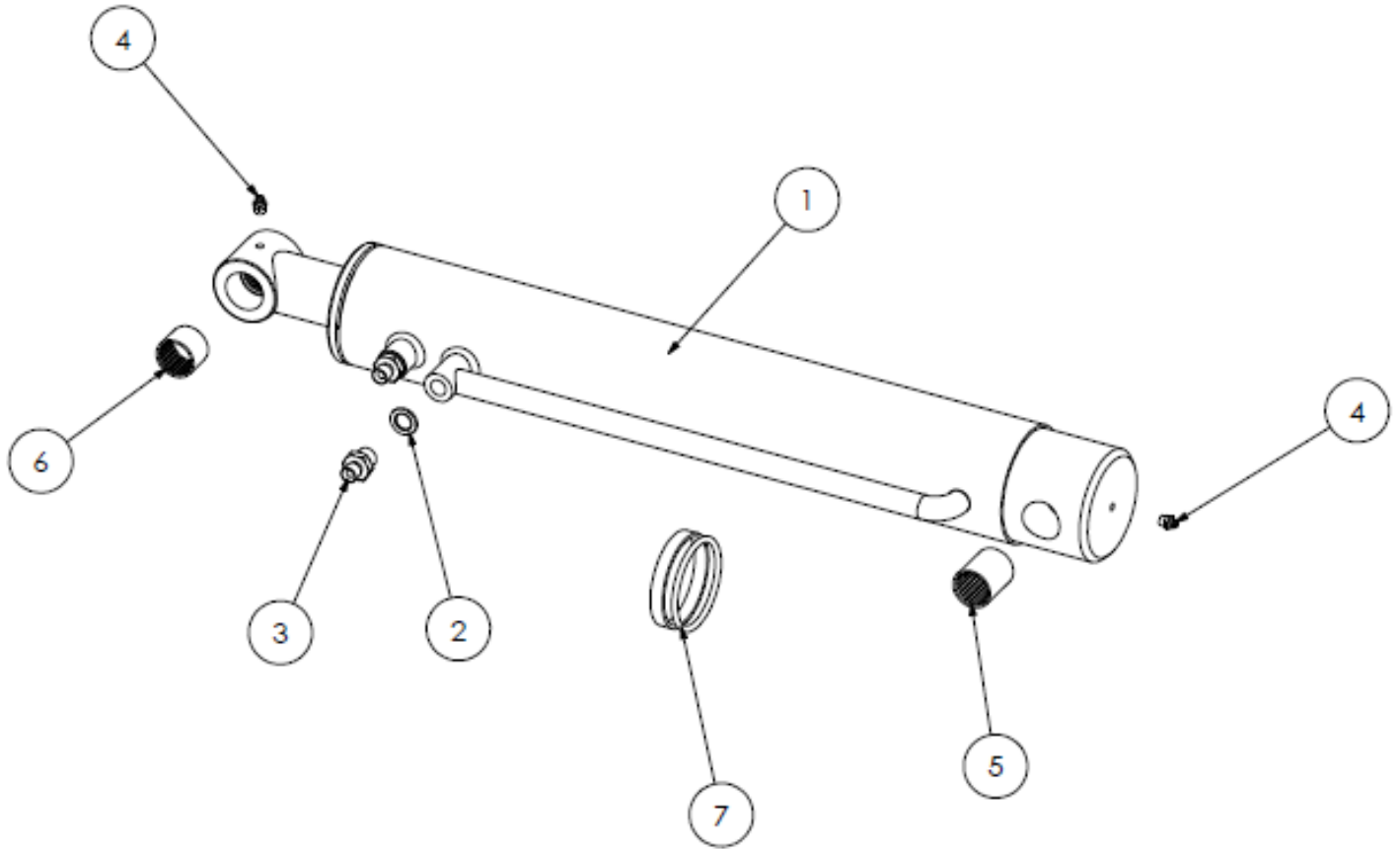
LIFT RAM - S180009.48



REF NO.	PART NO.	QTY.	DESCRIPTION
1	3580668	1	LIFT RAM
2	3600118	1	HOSE BURST
3	3260070	1	1/4" BONDED SEAL
4	3360080	1	1/4" M-M ADAPTOR
5	3260071	1	3/8" BONDED SEAL
6	3360083	1	3/8" M - 1/4" M ADAPTOR
7	2770502	1	1/8 90 GREASE NIPPLE
8	01.070.04	1	1/8 ST GREASE NIPPLE
9	42654.04	4	BUSH
10	3570675HP	1	SEAL KIT

Spearhead 6 Series

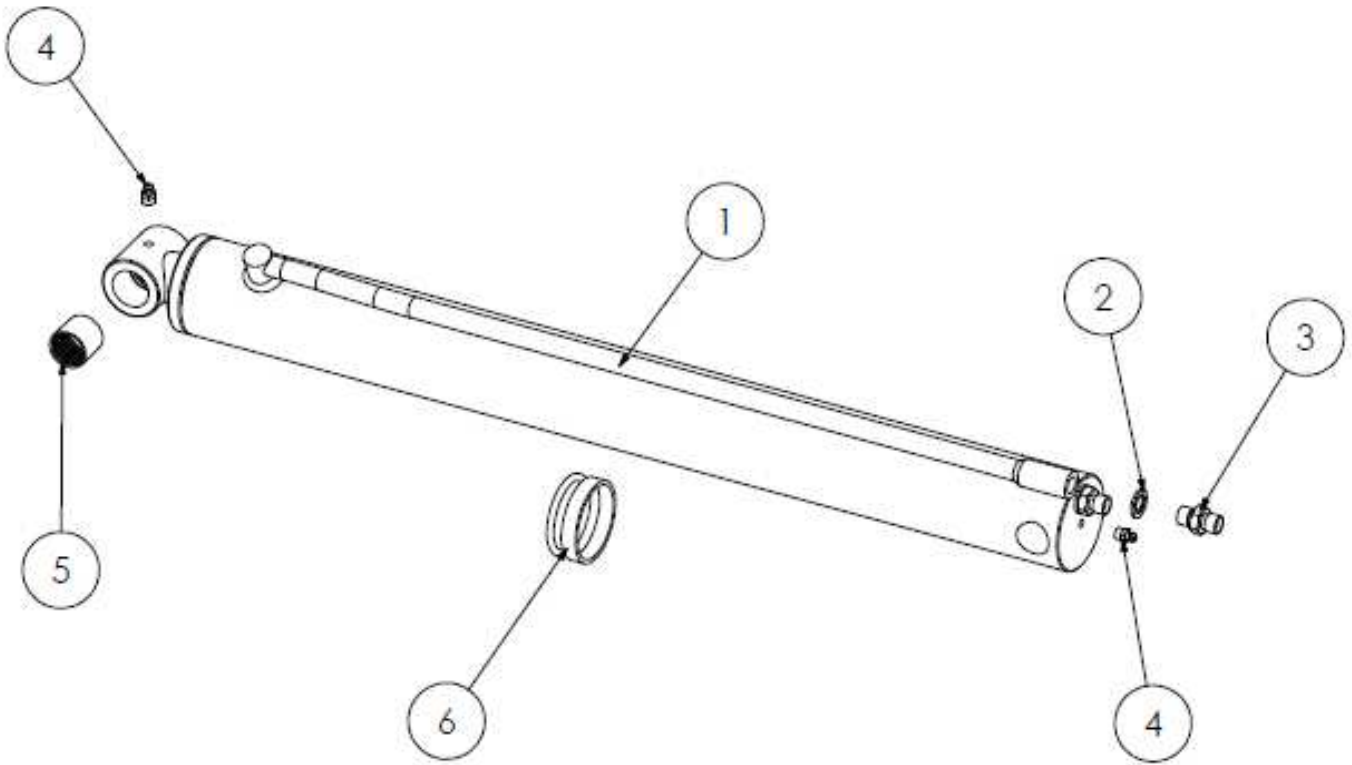
DIPPER RAM



REF NO.	PART NO.	QTY.	DESCRIPTION
1	3580658	1	DIPPER RAM
2	3260071	2	3/8" BONDED SEAL
3	3360083	2	3/8" M - 1/4" M ADAPTOR
4	01.070.04	2	1/8 ST GREASE NIPPLE
5	42654.08	2	BUSH
6	4600153	2	BUSH
7	3570663HP	1	SEAL KIT

Spearhead 6 Series

HEAD RAM - S180032.29

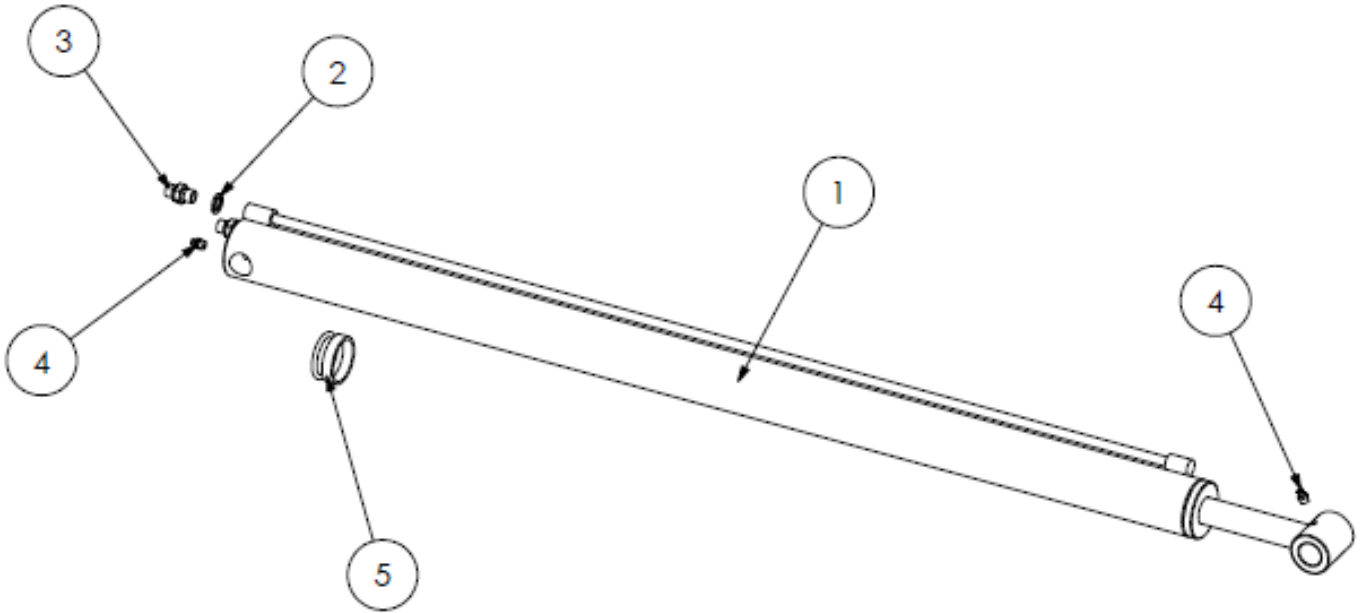


REF NO.	PART NO.	QTY.	DESCRIPTION
1	3580636	1	HEAD RAM
2	3260070	2	1/4" BONDED SEAL
3	3360080	2	1/4" M-M ADAPTOR
4	01.070.04	2	1/8 ST GREASE NIPPLE
5	4600413	2	BUSH
6	3570666HP	1	SEAL KIT

Spearhead 6 Series

726T TELE RAM - S180028.28

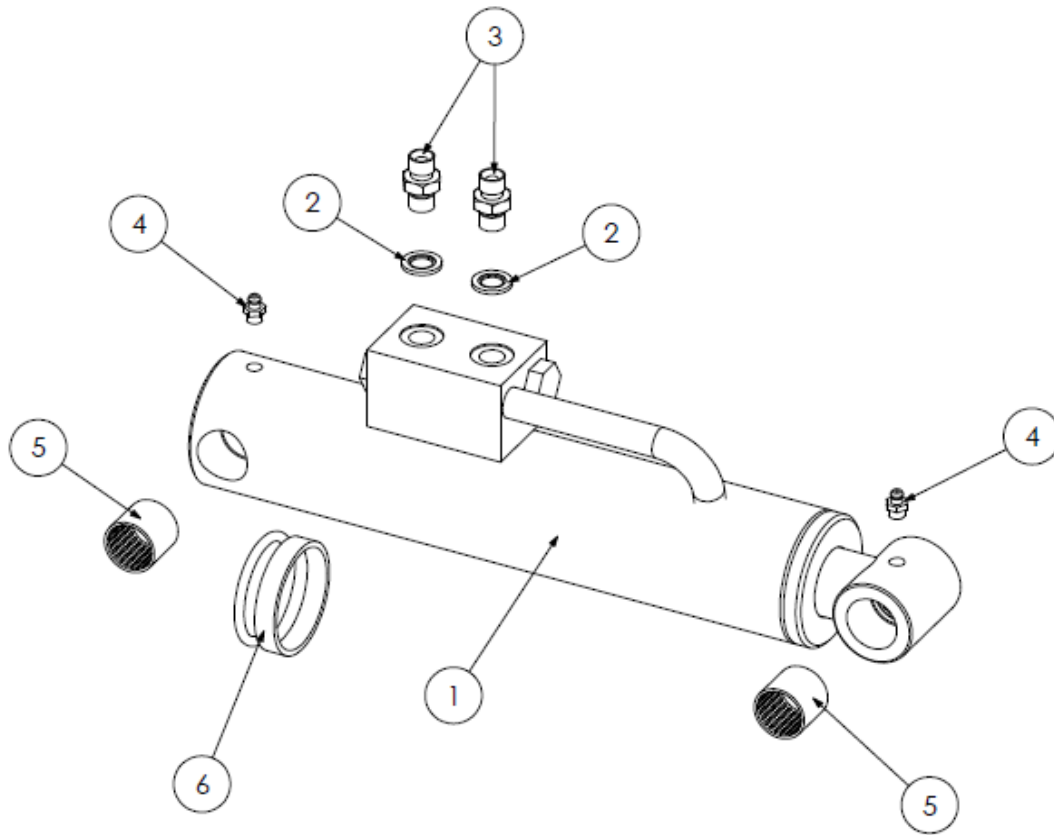
836T TELE RAM - S180035.36



REF NO.	PART NO.	QTY.	DESCRIPTION
1	3580654A	1	726T RAM
1	3580662	1	836T RAM
2	3260070	2	1/4" BONDED SEAL
3	3360080	2	1/4" M-M ADAPTOR
4	01.070.04	2	1/8 ST GREASE NIPPLE
5	3570665HP	1	650T/700T SEAL KIT
5	3580684.02	1	800T SEAL KIT

Spearhead 6 Series

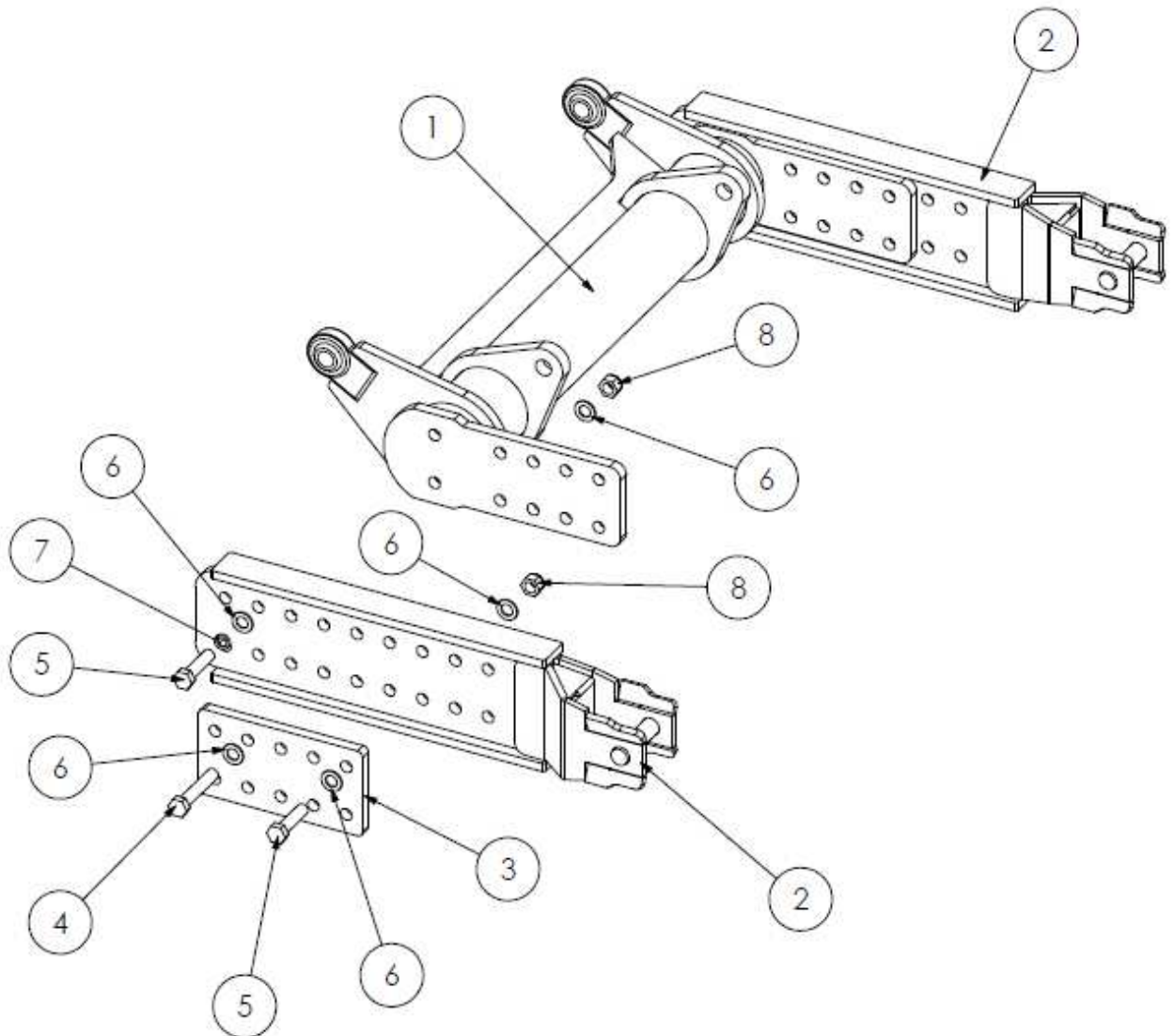
VFR RAM



REF NO.	PART NO.	QTY.	DESCRIPTION
1	3580646A	1	VFR RAM
2	3260070	2	1/4" BONDED SEAL
3	3360080	2	1/4" M-M ADAPTOR
4	01.070.04	2	1/8 ST GREASE NIPPLE
5	4600413	2	BUSH
6	3570666HP	1	SEAL KIT

Spearhead 6 Series

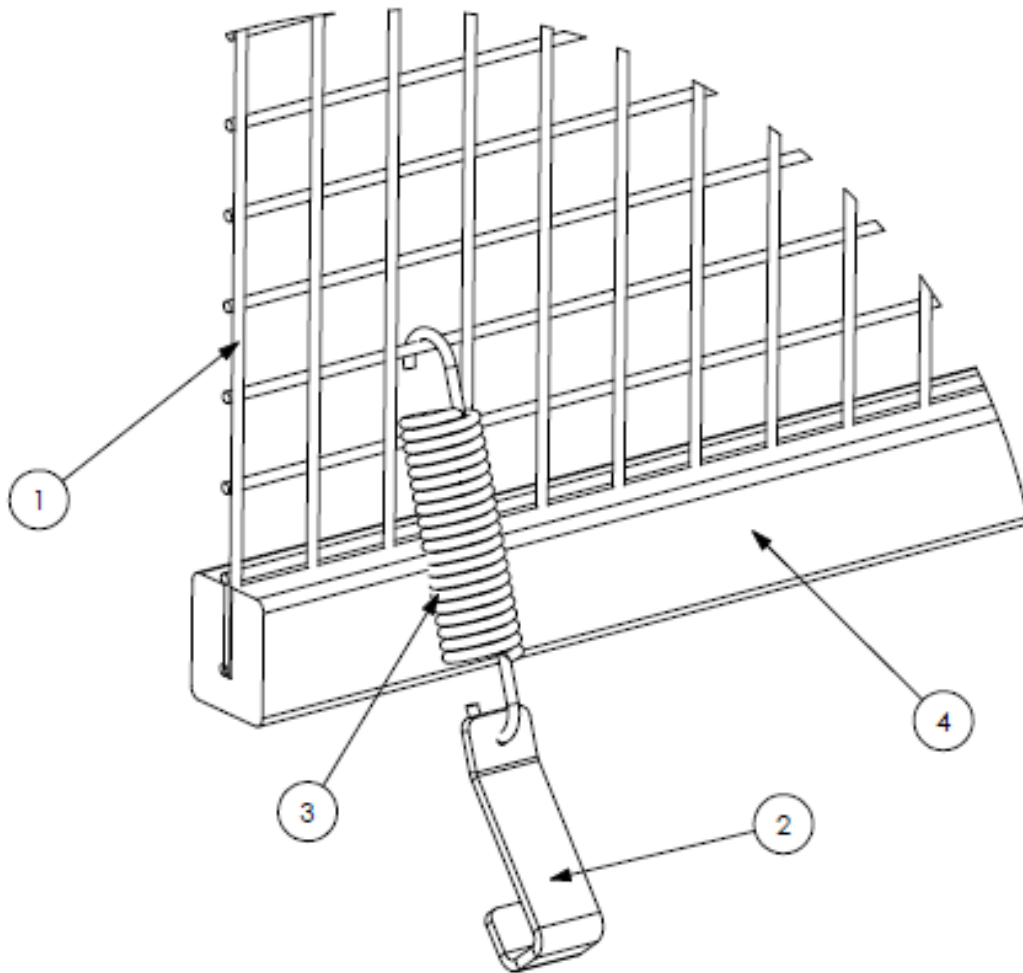
AXLE MOUNT SUB FRAME KIT – OPT0201



REF NO.	PART NO.	QTY.	DESCRIPTION
	OPT0201	1	AXLE MOUNT SUB FRAME KIT
1	1777030A	1	SUB FRAME
2	1777032A	2	ARM
3	1777035	2	BRACE PLATE
4	05.292.44	16	M20 X 110 BOLT
5	2770550	8	M20 X 80
6	2770517	44	M20 FLAT WASHER
7	05.282.05	4	M20 SPRING WASHER
8	2770409	20	M20 NYLOCK

Spearhead 6 Series

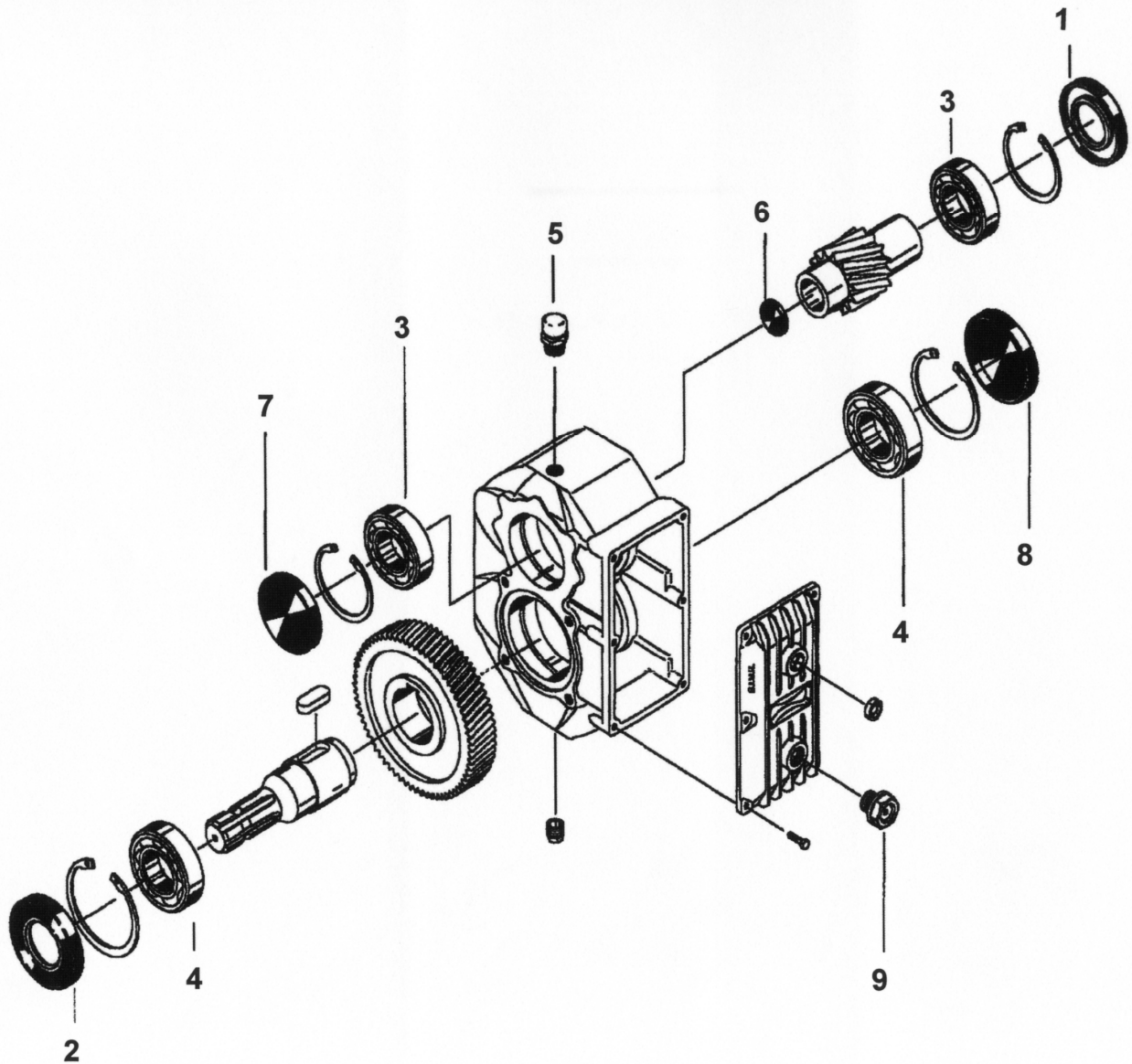
CAB GUARD KIT – SI80028.53



REF NO.	PART NO.	QTY.	DESCRIPTION
	OPT0603	1	CAB GUARD KIT
1	1777140	2	MESH PANEL
2	41745.01	10	HOOK
3	6310209	10	SPRING
4	8550134	1	FOAM - 5M

Spearhead 6 Series

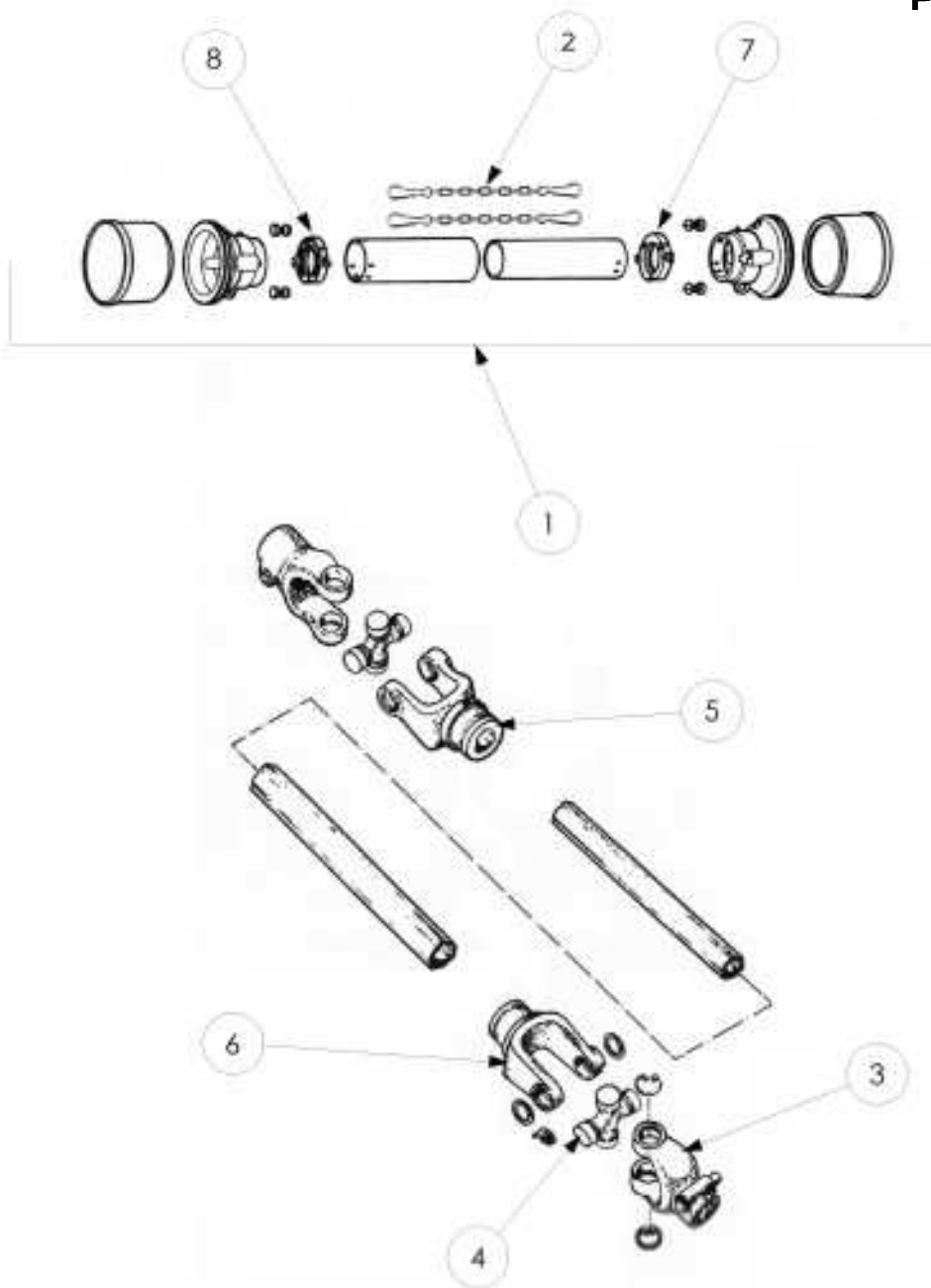
GEARBOX ASSEMBLY



REF NO.	PART NO.	QTY.	DESCRIPTION
	3151080	1	GEARBOX ASSEMBLY
1	4771119	-	OIL SEAL
2	5771613	-	OIL SEAL
3	4771605	-	BEARING
4	4771607	-	BEARING
5	5771124	-	BREATHER
6	5771123	-	END CAP
7	5771615	-	END CAP
8	5771614	-	END CAP
9	5771122	-	LEVEL GAUGE

Spearhead 6 Series

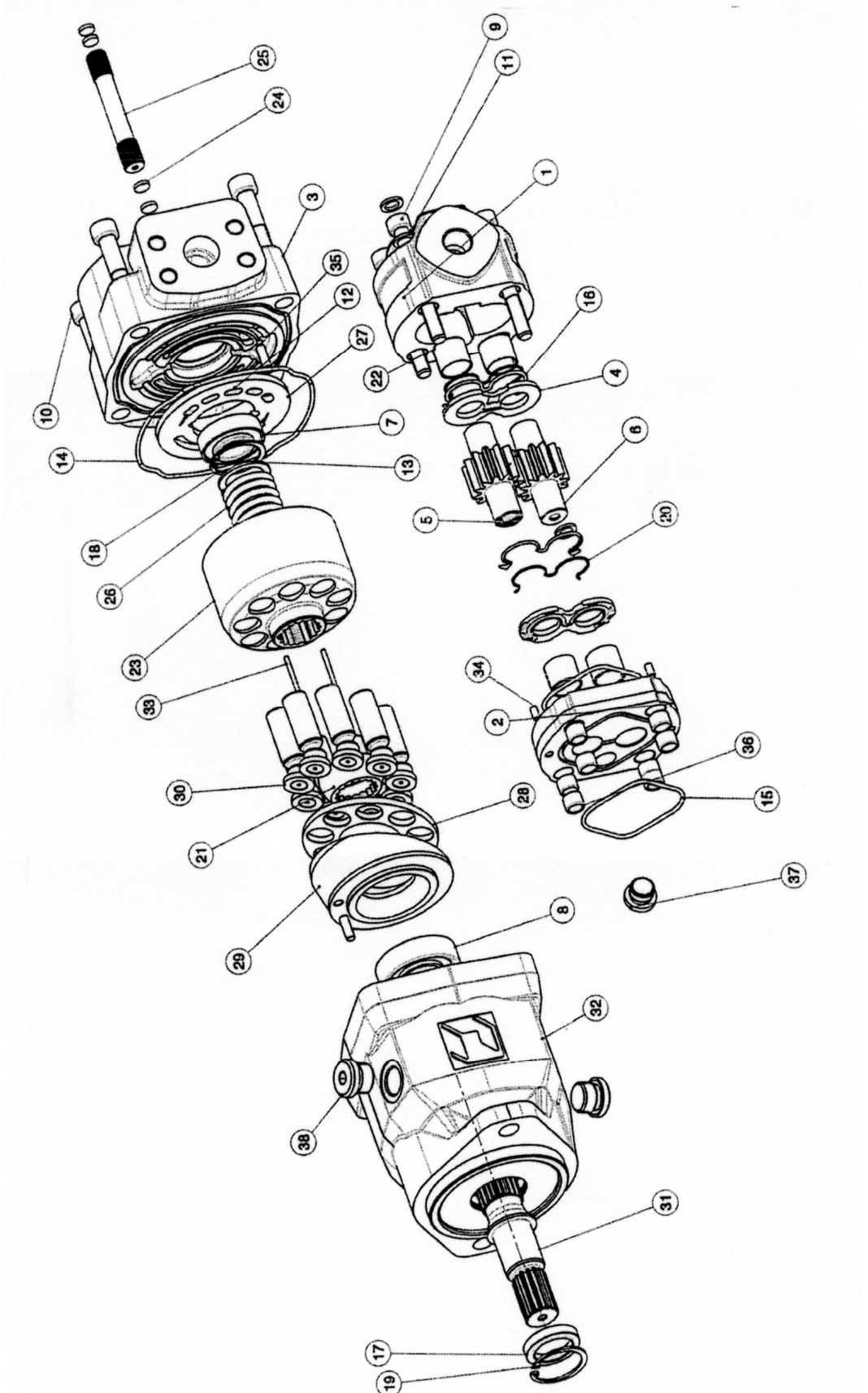
PTO ASSEMBLY



REF NO.	PART NO.	QTY.	DESCRIPTION
	5770084C	1	PTO ASSEMBLY
1	5772263	-	GUARD
2	5771020	-	CHAIN
3	5772240	-	YOKE – 6 SPLINE
3	5772241	-	YOKE – 21 SPLINE
4	5772242	-	CROSS JOURNAL
5	5772244	-	INNER YOKE
6	5772264	-	OUTER YOKE
7	4770814	-	INNER BEARING
8	4770815	-	OUTER BEARING

Spearhead 6 Series

TANDEM PUMP



Spearhead 6 Series

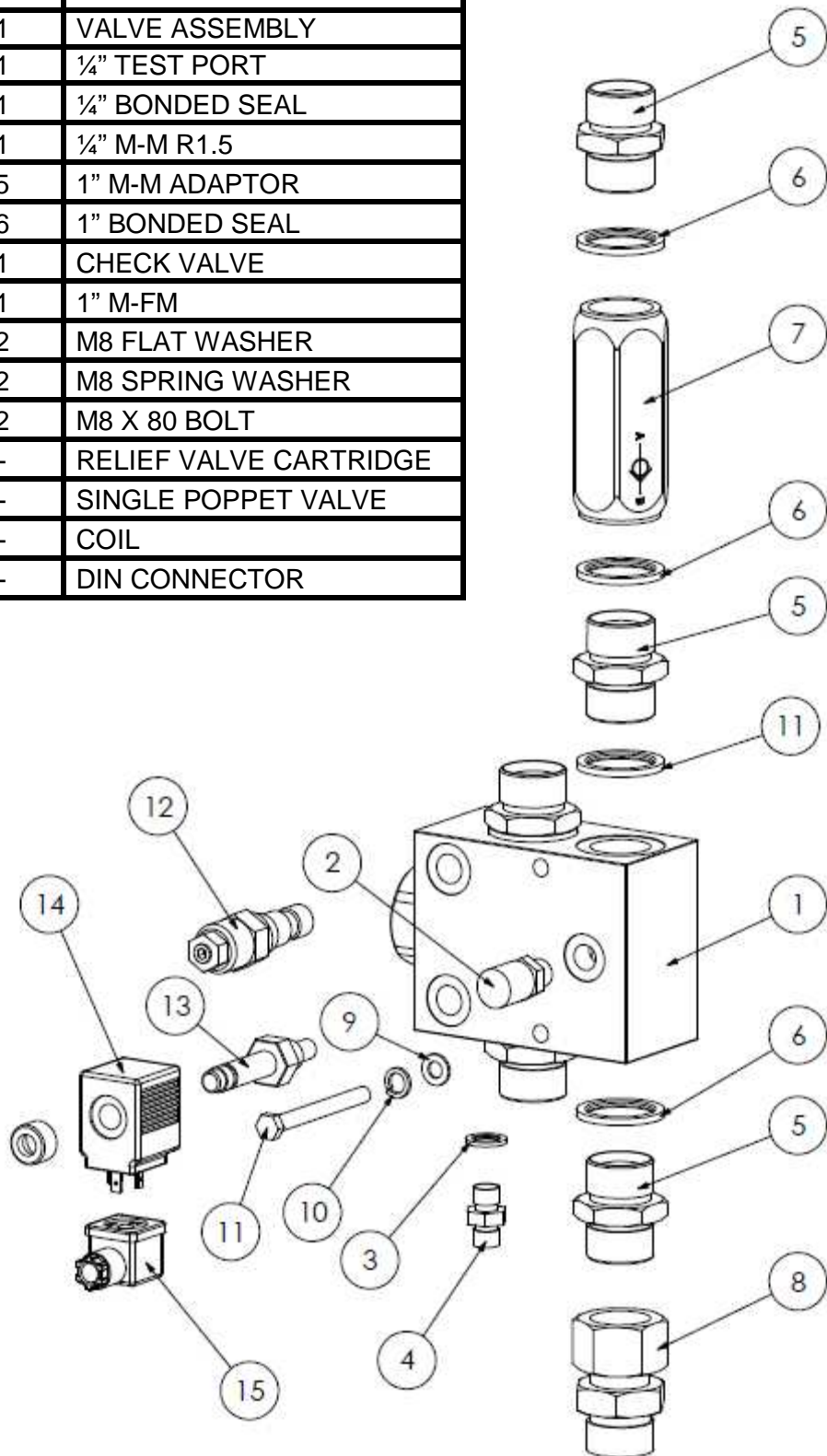
TANDEM PUMP

Ref. No	Part No.	English Description	French Description	German Description	Danish Description
Référence Ref. No Ref. No	Numéro de pièce Teilenummer Reservedelsnummer	Désignation en Anglais Englische beschreibung Engelsk beskrivelse	Désignation en Français Französische beschreibung Fransk beskrivelse	Désignation en Allemand Deutsche beschreibung Tysk beskrivelse	Désignation en Danois Dänische beschreibung Dansk beskrivelse
	3151081	Tandem pump	Pompe hydraulique	Zahnrad Pumpe	Tandhjulspumpe
1	3151081/7	Service pump	Pompe hydraulique	Pumpe	pumpe
2	-	Flange			
3	-	Cover			
4	3151081/3	Thrust plate			
5	-	Drive gear			
6	-	Drive gear			
7	-	Bearing	Roulement	Lager	Leje
8	-	Bearing	Roulement	Lager	Leje
9	-	Screw	Boulon	Bolz	Bolt
10	-	Screw	Boulon	Bolz	Bolt
11	-	Washer	Rondelle	Scheibe	Skive
12	-	Washer	Rondelle	Scheibe	Skive
13	-	Washer	Rondelle	Scheibe	Skive
14	3151081/1	'O' ring	Joint torique	Dichtung	Pakdåse
15	3151081/2	'O' ring	Joint torique	Dichtung	Pakdåse
16	3151081/4	Seal	Joint à huile	Dichtung	Pakdåse
17	3151081/6	Shaft seal	Joint à huile	Welle dichtung	Aksel pakdåse
18	-	Ring			
19	-	Ring			
20	3151081/5	Seal	Joint à huile	Dichtung	Pakdåse
21	-	Splined ring			
22	-	Bearing	Roulement	Lager	Leje
23	-	Cylinder block			
24	-	Spacer			
25	-	Shaft plate			
26	-	Spring	Resort	Feder	Fjeder
27	-	Valve plate			
28	-	Piston plate			
29	-	Plate			
30	-	Piston			
31	-	Shaft			
32	-	Motor body			
33	-	Pin	Broche		
34	-	Pin	Broche		
35	-	Pin	Broche		
36	-	Bush	Bague		
37	-	Plug			
38	-	Plug			
39	3151032G	Gasket	Garniture	Papier Dichtung	Papirspakning

Spearhead 6 Series

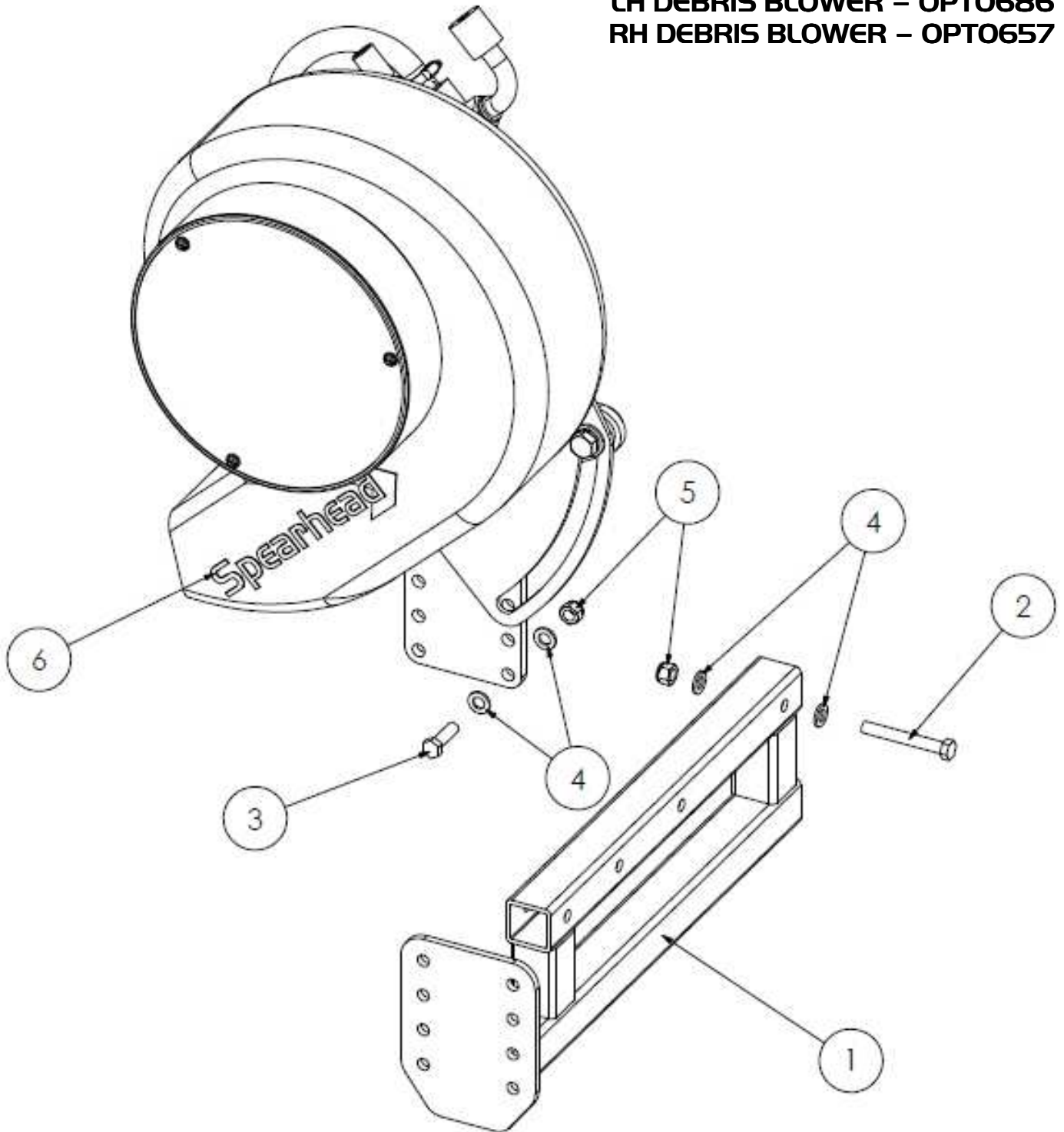
ROTOR VALVE – S180028.43

REF NO.	PART NO.	QTY.	DESCRIPTION
1	3600099B	1	VALVE ASSEMBLY
2	3360110	1	¼" TEST PORT
3	3260070	1	¼" BONDED SEAL
4	3360100	1	¼" M-M R1.5
5	3260074	5	1" M-M ADAPTOR
6	3360092	6	1" BONDED SEAL
7	3600089	1	CHECK VALVE
8	3360093	1	1" M-FM
9	2770432	2	M8 FLAT WASHER
10	2770433	2	M8 SPRING WASHER
11	2772289	2	M8 X 80 BOLT
12	3600144A	-	RELIEF VALVE CARTRIDGE
13	3600142B	-	SINGLE POPPET VALVE
14	3610052	-	COIL
15	3610048	-	DIN CONNECTOR



Spearhead 6 Series

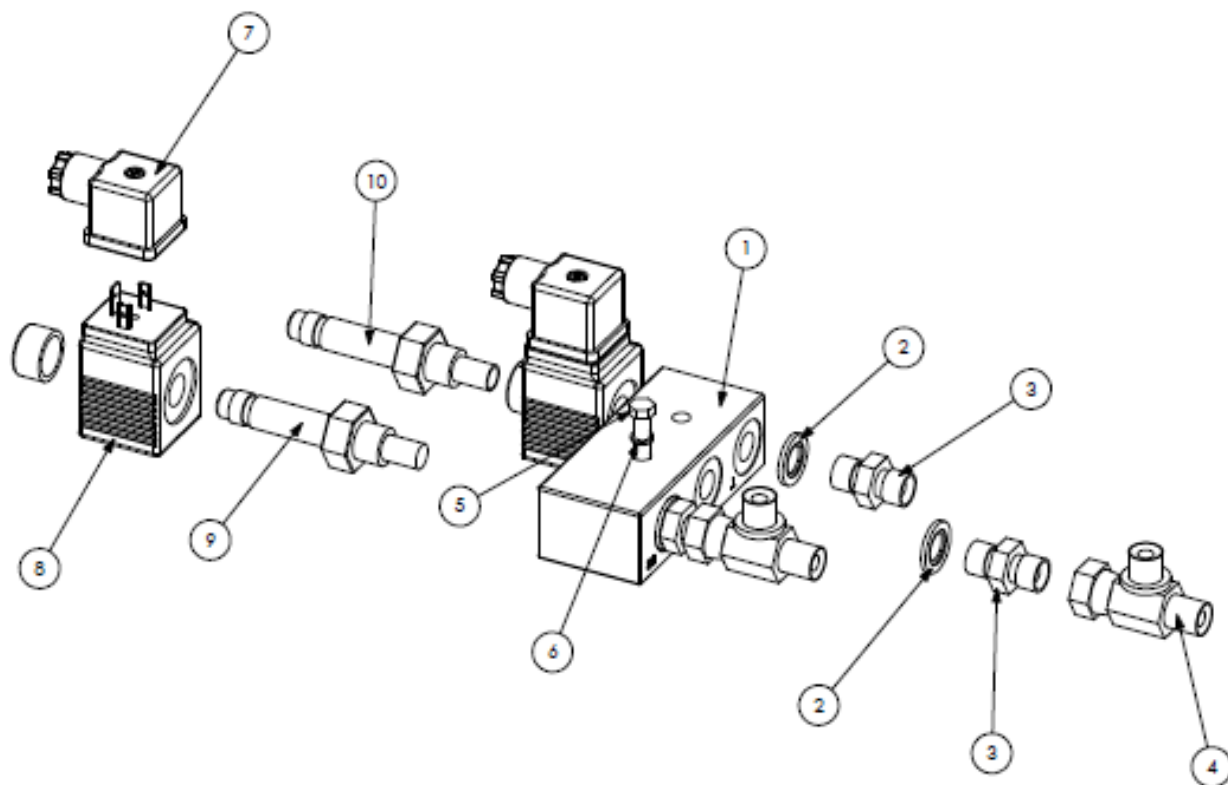
LH DEBRIS BLOWER – OPT0686
RH DEBRIS BLOWER – OPT0657



REF NO.	PART NO.	QTY.	DESCRIPTION
1	180904	1	BRACKET
2	2770471	3	M12 X 100 BOLT
3	2770443	4	M12 X 40
4	2770436	14	M12 FLAT WASHER
5	2770417	7	M12 NYLOCK
6	8770688	1	DECAL

Spearhead 6 Series

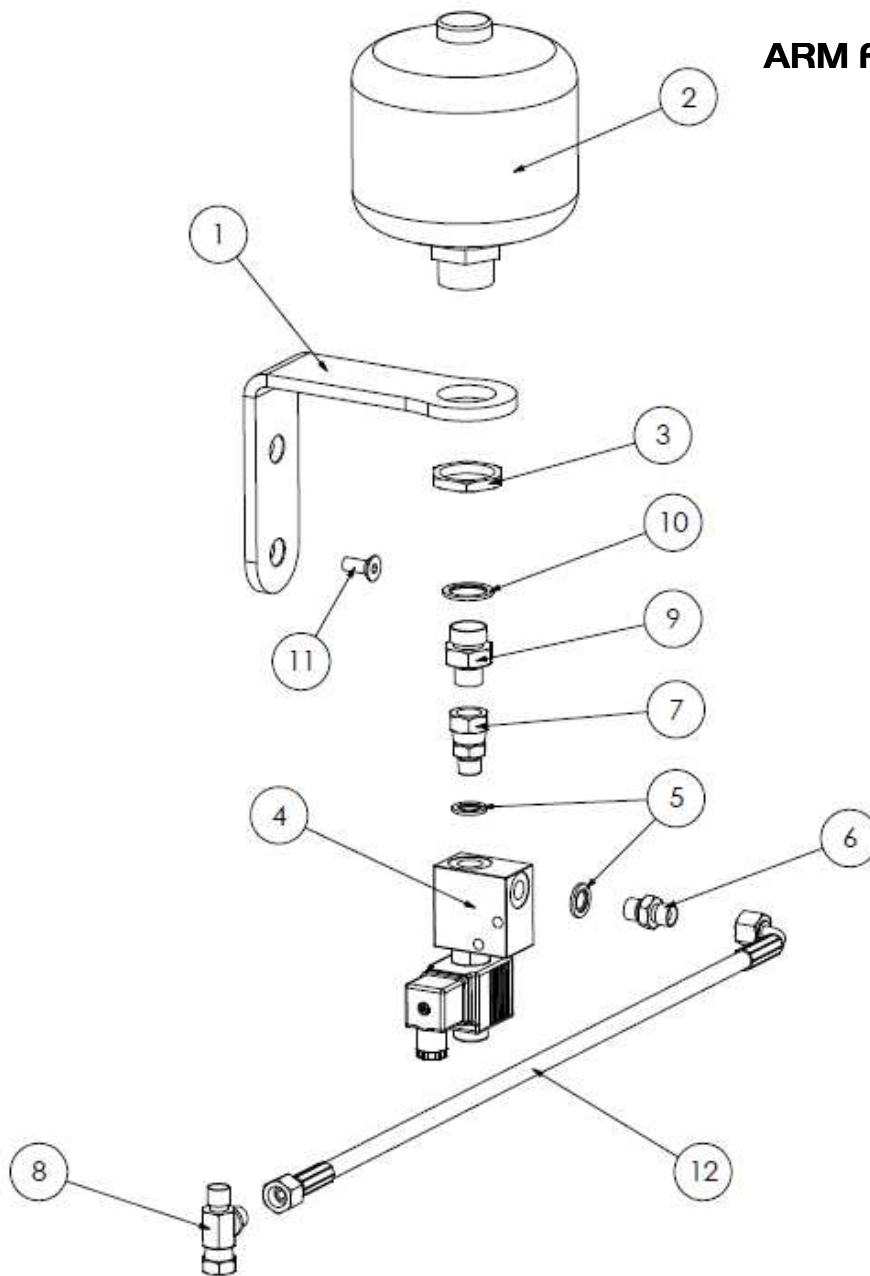
HEAD FLOAT VALVE – SI80032.2I



REF NO.	PART NO.	QTY.	DESCRIPTION
1	3600132	1	HEAD FLOAT VALVE
2	3260070	3	1/4" BONDED SEAL
3	3360080	3	1/4" M-M
4	3460300	2	1/4" FM/M/M TEE
5	2770485	2	M6 X 40 BOLT
6	05.282.07	2	M6 SPRING WASHER
7	3760121	1	HOSE: 1/4" X 1400mm
8	3760122	2	HOSE: 1/4" X 330mm
9	3610048	-	DIN CONNECTOR
10	3610030A	-	COIL
11	3610032A	-	DOUBLE VALVE
12	3600142	-	SINGLE VALVE

Spearhead 6 Series

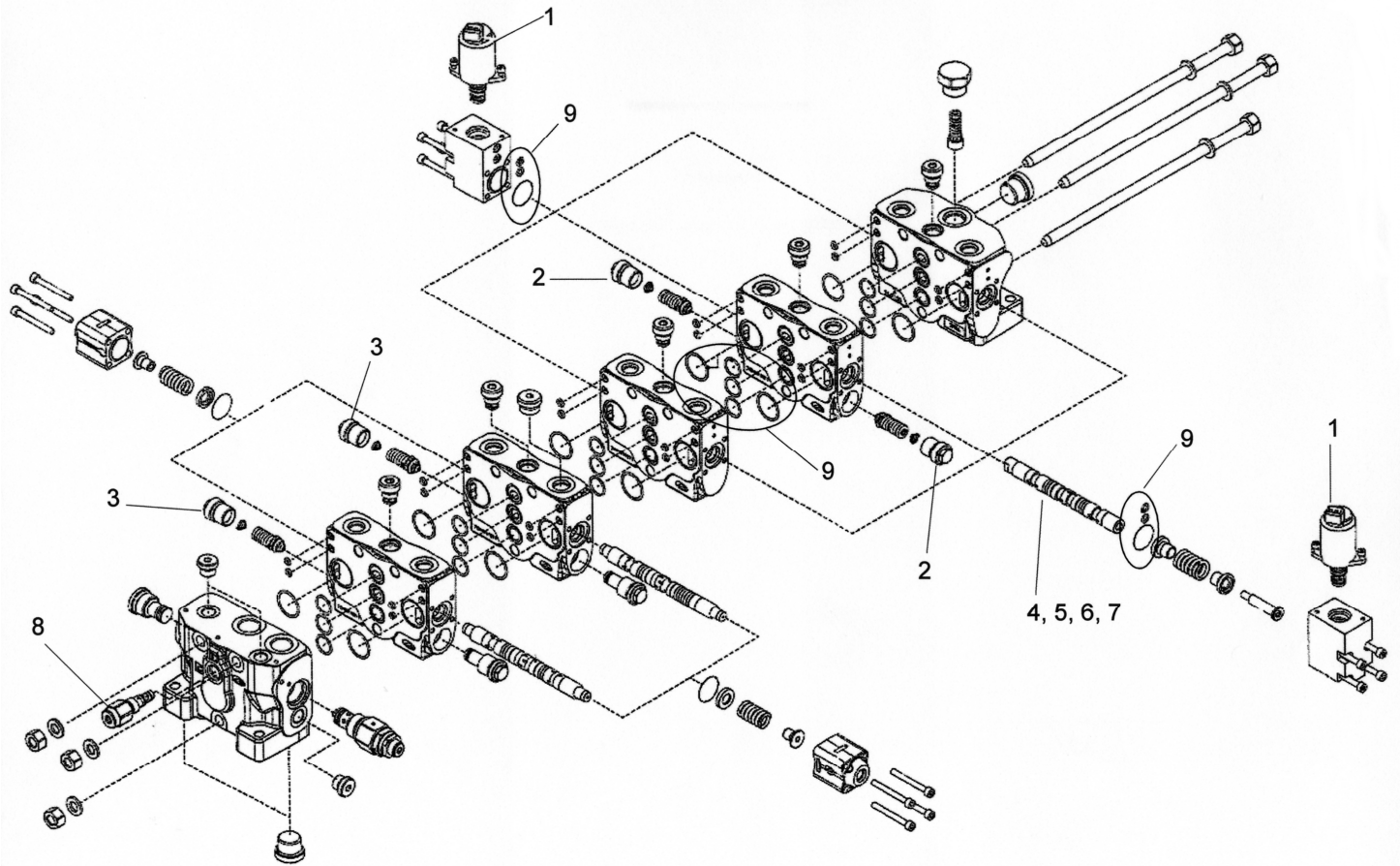
ARM FLOAT - S180032.22



REF NO.	PART NO.	QTY.	DESCRIPTION
1	180917	1	BRACKET
2	3900071	1	ACCUMULATOR BOTTLE - 32 Bar
3	8126035	1	M33 NUT
4	3610053	1	ELECTRONIC VALVE
4a	3610052	-	COIL
5	3260070	2	1/4" BONDED SEAL
6	3360080	1	1/4" M-M
7	3360079	1	1/4"-3/8" M-FM SW
8	3460300	1	1/4" FM/M/M TEE
9	G2410380	1	3/8"-M22 M-M
10	8650322	1	M22 BONDED SEAL
11	2770435	2	M8 X 20 CSK SCREW
12	3760129	1	HOSE
13	3610048	-	DIN PLUG

Spearhead 6 Series

CONTROL VALVE



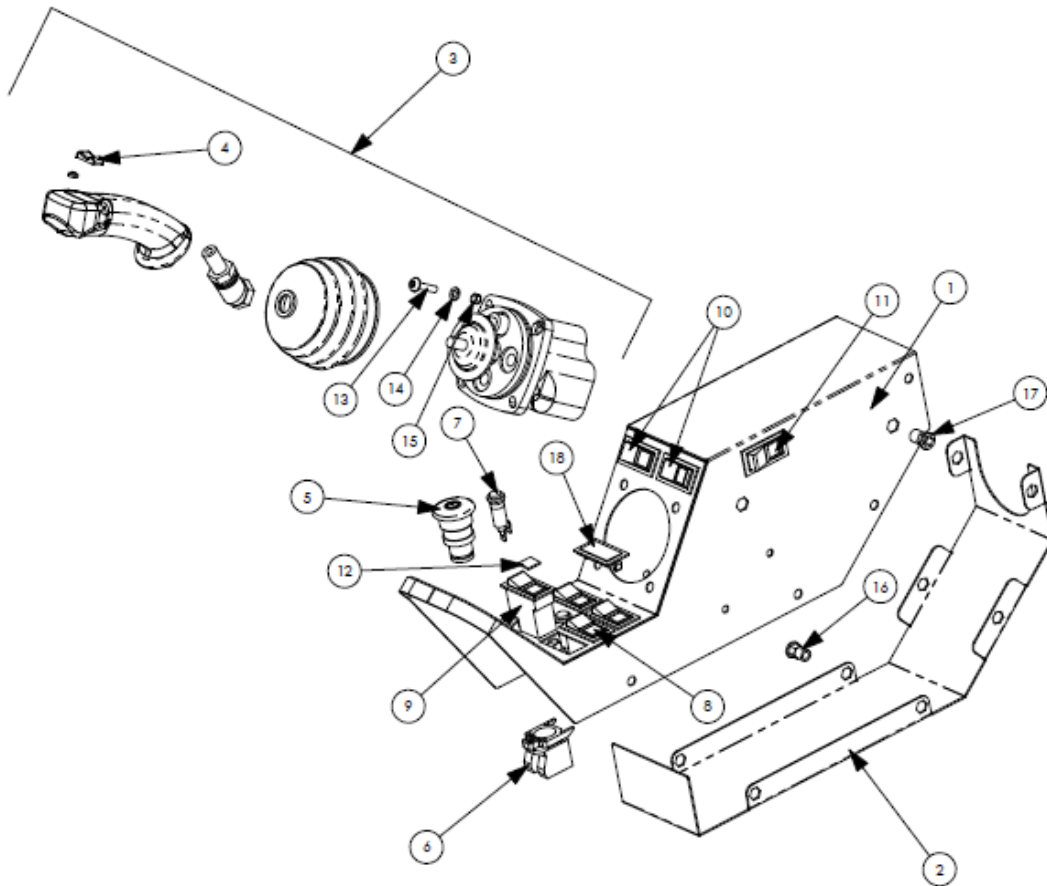
Spearhead 6 Series

CONTROL VALVE

REF NO.	PART NO.	QTY.	DESCRIPTION
-	3910325B	-	4 BANK VALVE - STD
-	3910299B	-	5 BANK VALVE - TELE/VFR
-	3910326B	-	5 BANK VALVE - AUTOPILOT
-	3910327B	-	6 BANK VALVE - TELE/VFR + AP
1	3910299/5	-	ELECTRIC VALVE
2	3910299/6	-	CARTRIDGE VALVE - 175 BAR
3	3910299/7	-	CARTRIDGE VALVE - 250 BAR
3a	3910299/10	-	BLANKING PLUG
4	3910299/1	-	DOUBLE ACTING SPOOL
5	3910299/2	-	SPOOL
6	3910299/3	-	SPOOL
7	3910299/4	-	SPOOL
8	3910299/8	-	PRESSURE REDUCING VALVE
8a	3910299/23	-	PRESSURE REDUCING VALVE SEAL KIT
9	3910299/9	-	O RING KIT
-	3910299/11	-	CARTRIDGE VALVE - 25 BAR
-	3910299/12	-	CARTRIDGE VALVE - 50 BAR
-	3910299/13	-	TOP EXIT PORT
-	3910299/14	-	SPOOL CAP
-	3910299/15	-	STD SLICE
-	3910299/16	-	CARTRIDGE VALVE - 100 BAR
-	3910299/17	-	CARTRIDGE VALVE - 250 BAR
-	3910299/18	-	END SLICE
-	3910299/19	-	BACK PRESSURE CARTRIDGE - 20 BAR
-	3910299/20	-	END SLICE - C/W FLOAT
-	3910299/21	-	AUTOPILOT SECTION
-	3910299/22	-	SIDE EXIT PORT

Spearhead 6 Series

HYDRAULIC PROPORTIONAL CONTROLS – SI80009.04



REF NO.	PART NO.	QTY.	DESCRIPTION
1	1777028A	1	CONTROL BOX
2	1777033	1	CONTROL BOX COVER
3	3910229	1	JOYSTICK ASSEMBLY
4	3910222	-	SWITCH
5	8400167	1	ROTOR KNOB
6	8400166	1	ROTOR SWITCH
7	8400168	1	ROTOR LIGHT
8	8400035	1	ON/ON/OFF SWITCH
9	3910276	3	ON/OFF SWITCH
10	8400160	1	ON/OFF/ON SWITCH
11	8400106	1	ON/OFF LOCK SWITCH
12	8400163B	2	BLANK INSERT
12	8400163G	1	GREEN INSERT
12	8400163Y	1	YELLOW INSERT
12	8400163R	1	RED INSERT
13	2770336	4	M6 X 25 SKT CAP SCREW
14	2771408	4	M6 FLAT WASHER
15	2770373	4	M6 NYLOCK
16	2770201	8	M8 RIVNUT
17	2770202	4	M10 RIVNUT
18	5771634	1	FOAM PAD

Spearhead 6 Series

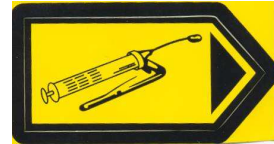
SAFETY DECALS – S180009.19



8770307



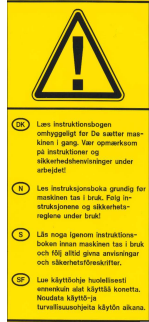
8770305



8770322



8770363



8770367



8770306



8770358



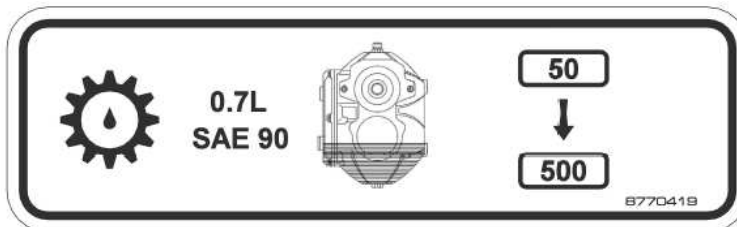
8770362



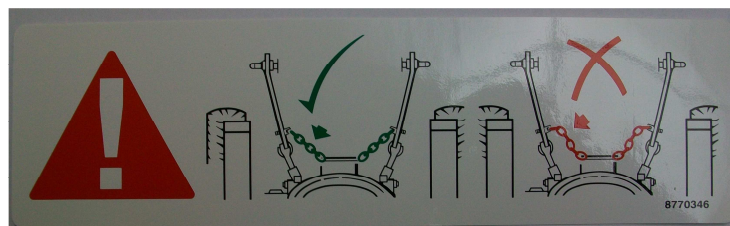
8770359



09.846.02



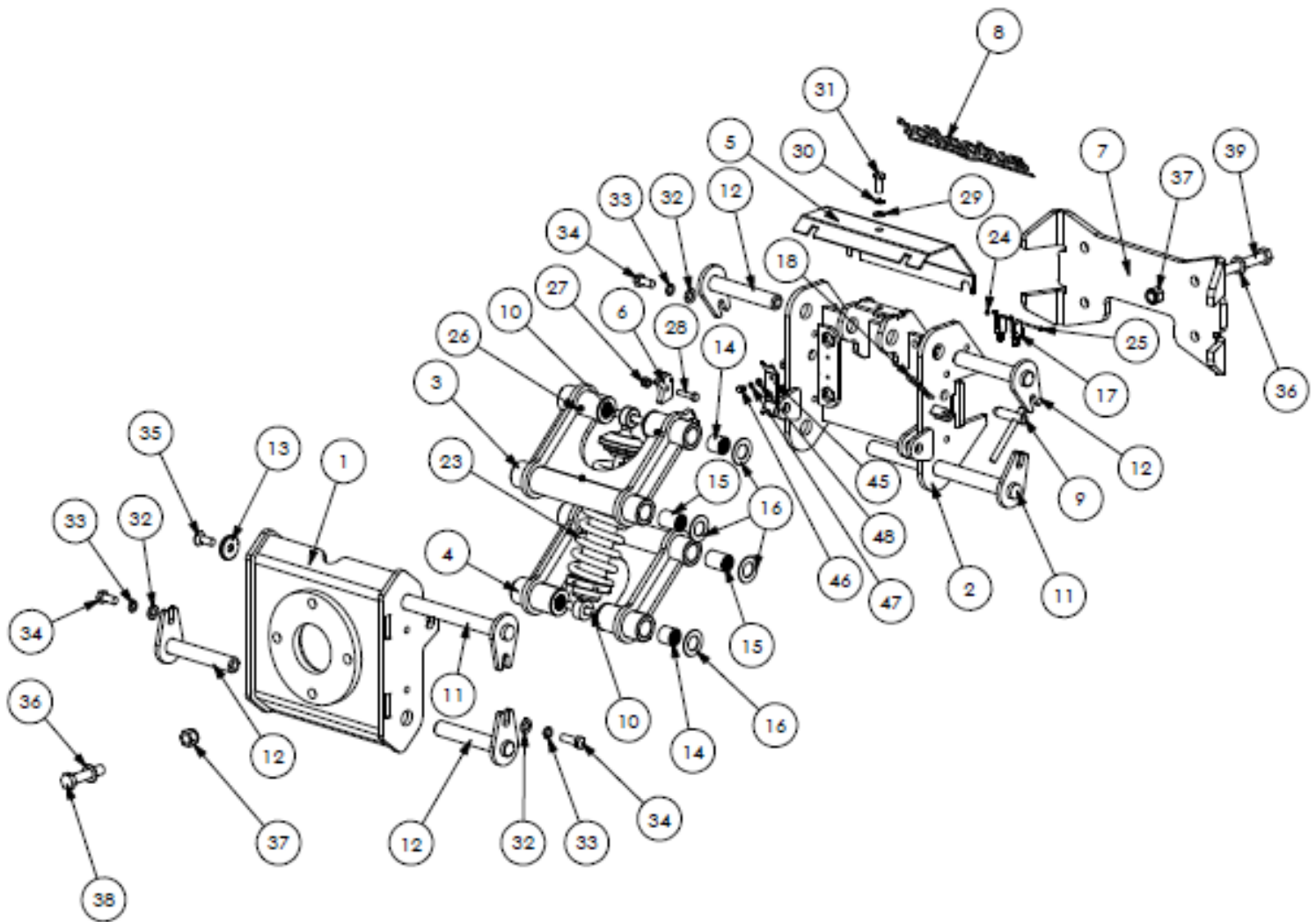
8770419



8770346

Spearhead 6 Series

AUTOPILOT - S180032.55



REF NO.	PART NO.	QTY.	DESCRIPTION
1	1777816A	1	BACK PLATE
2	1777817A	1	FRONT PLATE
3	1777818A	1	FLOAT LINK + CAM
4	1777818B	1	FLOAT LINK
5	1777748A	1	CAM GUARD
6	1777848A	1	CAM
7	1777325B	1	CLAMP PLATE
8	8770696	1	DECAL
9	1777749	2	LOCKING PIN
10	1777822	2	PIN
11	1777941	2	PEAR PIN: 25.4 X 310 mm
12	1777942	4	PEAR PIN: 25.4 X 145 mm

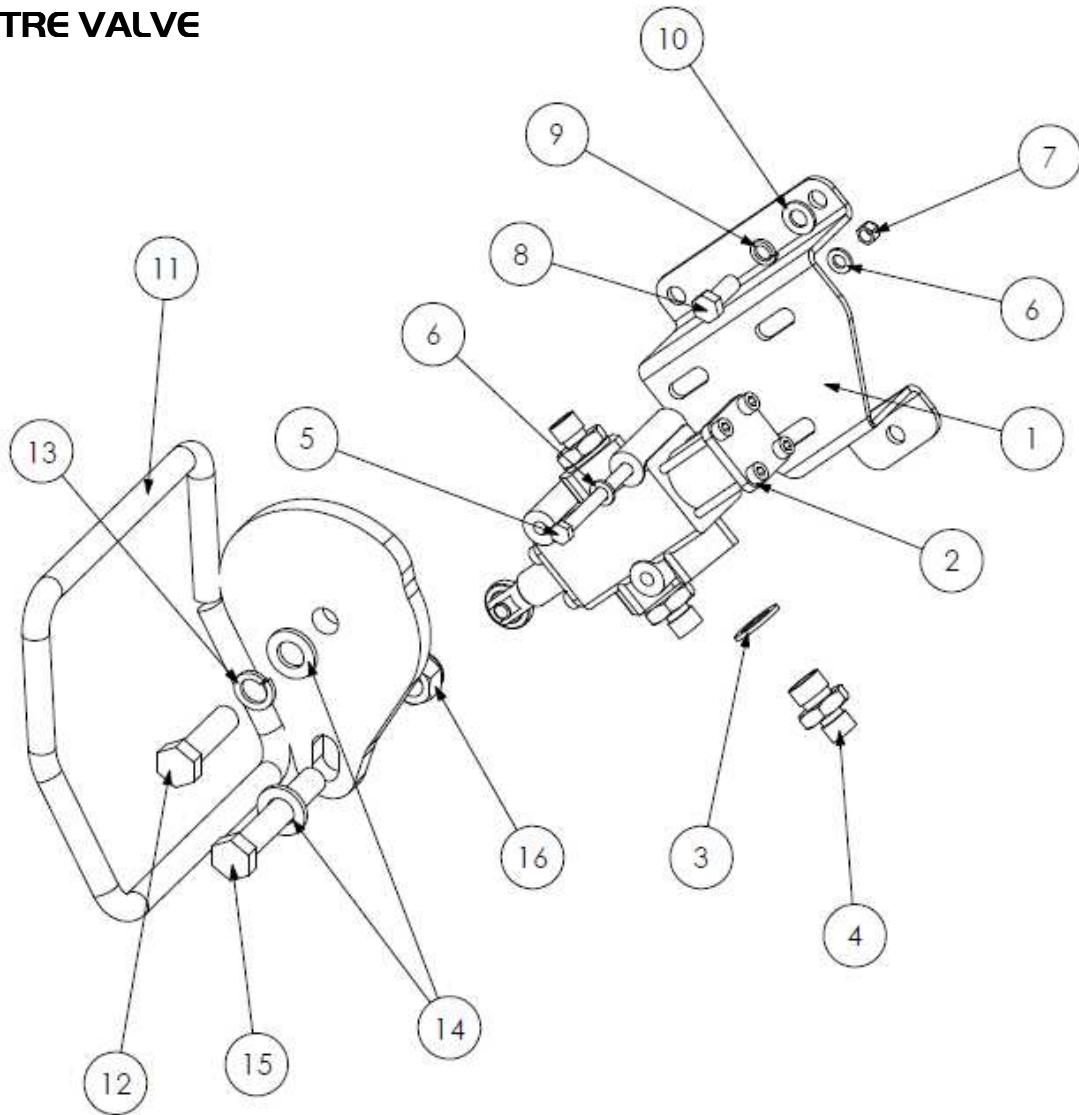
Spearhead 6 Series

AUTOPILOT – S180032.55

REF NO.	PART NO.	QTY.	DESCRIPTION
13	1777209	2	RETAINING WASHER - 40mm
14	4600417	8	BUSH - SHORT
15	4600418	4	BUSH - LONG
16	4600419	8	THRUST WASHER
17	3910275	2	SWITCH
18	6310194	2	R CLIP
19	8770600	1	SHOCK ABSORBER
20	8770600/1	0	TOP COLLET
21	8770600/2	0	THREADED COLLET
22	8770600/3	0	SPHERICAL BEARING
23	8770601	1	SPRING
24	2770233	4	M3 FULL NUT
25	2770237	2	M3 X 35 BOLT
26	2770467	6	M6 ST GREASE NIPPLE
27	2770416	1	M8 NYLOCK
28	2770488	1	M8 X 35 BOLT
29	2770434	1	M10 FLAT WASHER
30	2770469	1	M10 SPRING WASHER
31	2770407	1	M10 X 25 BOLT
32	2770436	6	M12 FLAT WASHER
33	2770442	6	M12 SPRING WASHER
34	2770484	6	M12 X 25 BOLT
35	2770506	2	M12 X 30 SKT CSK SCREW
36	2770454	8	M16 FLAT WASHER
37	2770447	8	M16 NYLOCK
38	05.291.39	4	M16 X 70 BOLT
39	2770346	4	M16 X 140 BOLT
40	8770655	1	AUTOPILOT LOOM
41	3760123	1	HOSE: 1/4" X 430mm
42	3460101	1	1/4" M/M/FM TEE
43	3760456	1	HOSE: 1/4" X 210mm
44	3760457	1	HOSE: 1/4" X 410mm
45	180223	2	NUT KEEPER PLATE
46	2770385	4	M6 X 10 BOLT
47	2771408	4	M6 FLAT WASHER
48	05.282.07	4	M6 SPRING WASHER

Spearhead 6 Series

OVER CENTRE VALVE



REF NO.	PART NO.	QTY.	DESCRIPTION
1	1800278	1	VALVE BRACKET
2	3910317	1	DIVERTER VALVE
3	3260071	3	3/8" BONDED SEAL
4	3360083	3	3/8" - 1/4" ADAPTOR
5	2771180	3	M6 X 60 BOLT
6	2771408	6	M6 FLAT WASHER
7	2770373	3	M6 NYLOCK
8	2770402	3	M8 X 20 BOLT
9	2770433	3	M8 SPRING WASHER
10	2770432	3	M8 FLAT WASHER
11	1800279	1	HOSE GUIDE & CAM
12	2770458	1	M12 X 40 BOLT
13	2770442	1	M12 SPRING WASHER
14	2770436	2	M12 FLAT WASHER
15	2770382	1	M12 X 70 BOLT
16	2770417	1	M12 NYLOCK

Spearhead Machinery Ltd
Green View
Salford Priors
Evesham
Worcestershire
WR11 8SW
Tel: 01789 491860
Fax: 01789 778683
www.spearheadmachinery.com
enquiries@spearheadmachinery.com