

Spearhead

**EXCEL Reach Mower
565/605/645T
6000/6000LR/6000T**



**Edition 1 1.2 – August 2013
Part No. 8999029**

PARTS MANUAL

Spearhead 5 Series

Contents

Ordering Your Parts.....	3
A Frame.....	4
Tank.....	6
Slew Post & Lift Frame.....	8
Main Arm.....	10
Dipper Arm.....	12
Telescopic Dipper Arm.....	14
Head Crowd Bracket.....	16
Belt Drive Assembly - DP Head.....	18
Direct Drive Assembly - DP Head.....	20
Hydraulic Roller - DP Head.....	22
Fixed Front Hood.....	24
Adjustable Front Hood.....	25
Hydraulic Roller Valve.....	26
Auto Reset Valve.....	27
Rear Roller.....	28
Heavy Duty Lift Frame.....	29
Direct Drive Assembly - MP1 Head.....	30
Belt Drive Assembly - MP1 Head.....	32
Rotor Assembly - MP1 Head.....	36
Hydraulic Roller - MP1 Head.....	38
Head Motor.....	40
Axle Mount Sub Frame.....	42
Cab Guard.....	43
P.T.O. Shaft.....	44
Head Float.....	45
Rotor Valve.....	46
Debris Blower.....	47
Hydraulic Proportional Controls.....	48
Decals.....	49
Autopilot.....	50
Arm Float.....	52
Gearbox - LH.....	53
Gearbox - RH.....	54
Tandem Pump.....	56
Cable Controls.....	58
Control Valve – Cable Control.....	60
Control Valve – Hydraulic Proportional Control.....	62
Pilot Valve.....	64
Forward Reach Ram.....	66

Spearhead 5 Series

Contents Cont.

Slew Ram.....	67
Lift Ram.....	68
Dipper Ram.....	69
Head Ram.....	70
Telescopic Ram.....	71
Forward Reach Dipper Arm.....	72

Spearhead 5 Series

Ordering Your Part's

When ordering parts please refer to your parts list to help your dealer with your order.

Part number and quantity
Description
Machine model number
Serial number of the machine
Delivery instructions (e.g. next day).

Delivery is normally via carrier direct to your dealer. Please check with your dealer for stock availability and arrangement of dispatch. Ensure you or your dealer has sufficient cover for parts required outside factory hours.

When ordering your seal kits please quote both codes stamped on the base of the cylinder.

Important Note

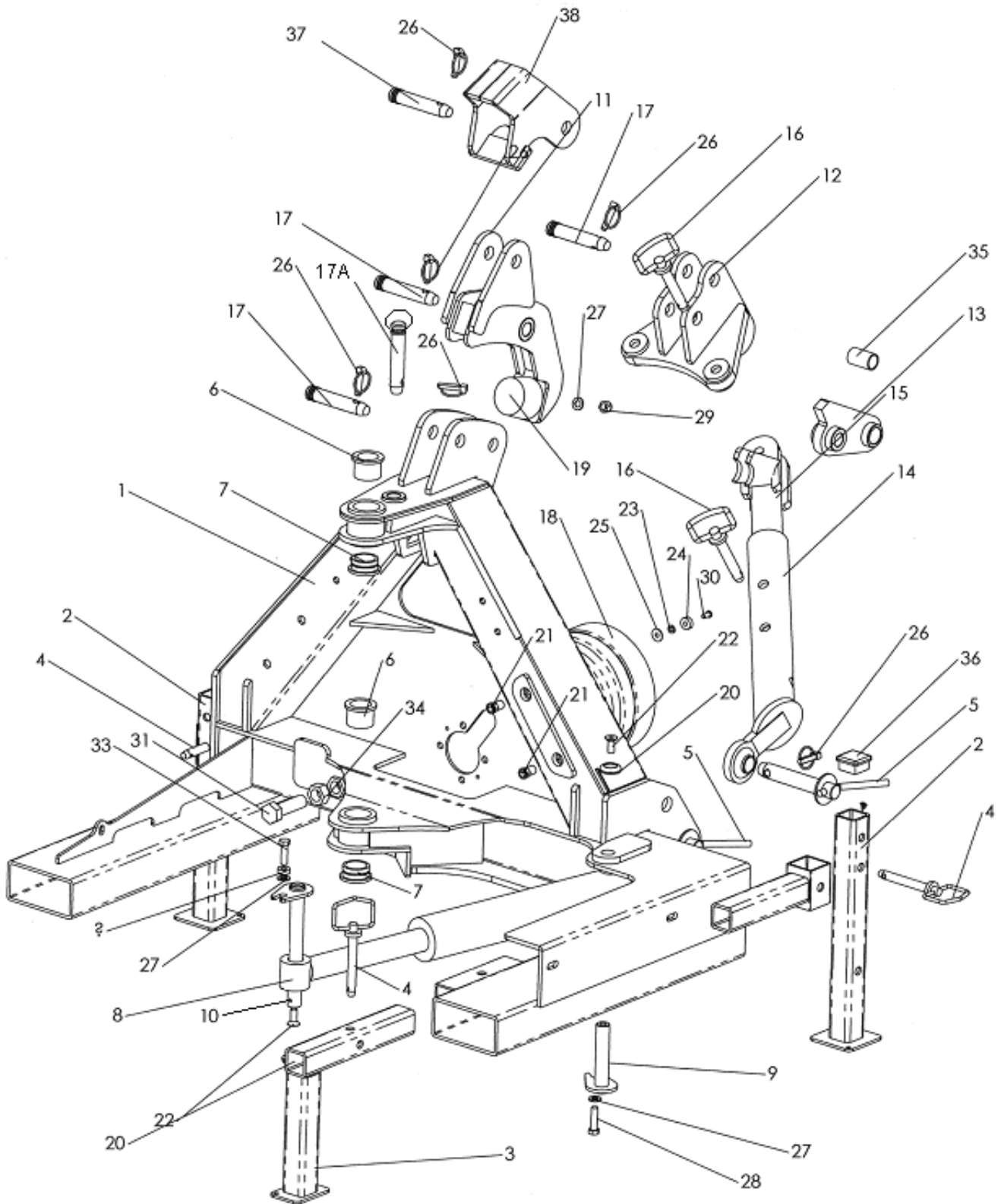
The information contained in this manual is correct at the time of publication. However, in the course of constant development, changes in specification are inevitable. Should you find the information given in this book different to the machine it relates to, please contact the "After Sales Department" for advice.

Key:

(LH) = Left hand
(RH) = Right hand

Spearhead 5 Series

A FRAME



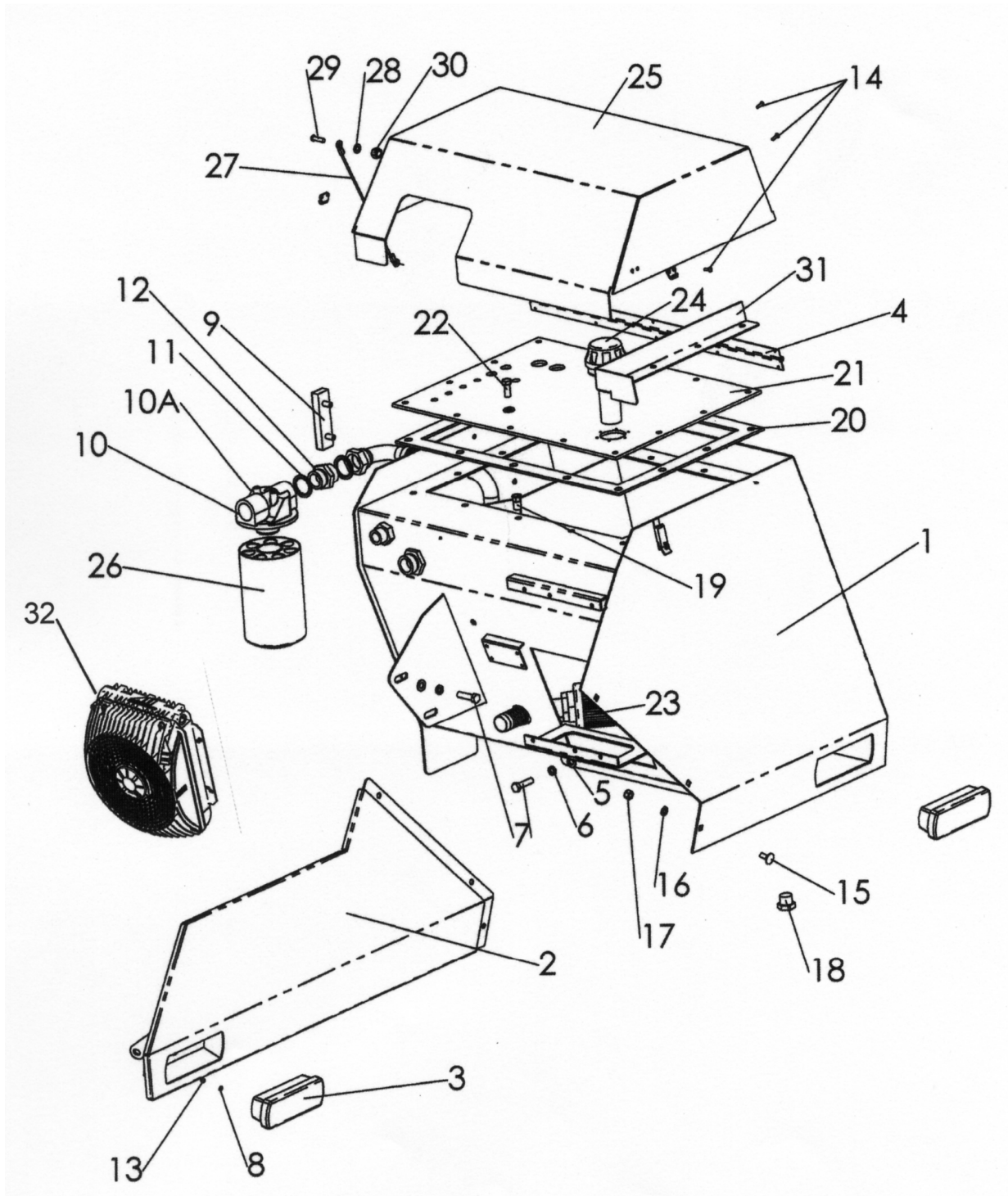
Spearhead 5 Series

A FRAME

Ref. No	Part No.	Description
1	1777770	A FRAME – LH
1	1777770R	A FRAME – RH
2	1777870	LEG STAND
3	1777871	REAR LEG
4	6310220	CAT 0 PIN (WITH HANDLE)
5	6310208	CAT 2 CRANKED PIN
6	4600127-A	BUSH
7	4600126	BUSH
8	3580632	RAM
9	1770678	PIN: 25.4 X 136 mm
10	1777916A	PIN: 25.4 X 110 mm
11	1777868	TOP LINK CUSHION BRACKET
12	1777872	BRACKET
13	1777873	BRACKET
13a	1777873N	LONG BRACKET (28MM HOLE)
13b	1777873NS	BRACKET (28MM HOLE)
14	1777533A	TUBE (OUTER)
15	1777532	TUBE (INNER)
16	6310215	CAT 1 PIN (WITH HANDLE)
17	6310203	CAT 2 TOP LINK PIN
17a	6310239	SLEW LOCK PIN
18	5770106	CONE WITH WINDOW
19	8770634	RUBBER CUSHION
20	1777209	WASHER
21	2770205	RIVET NUT
22	2770506	BOLT
23	2770432	FLAT WASHER
24	2770433	SPRING WASHER
25	2770244	REPAIR WASHER
26	6310206	LYNCH PIN
27	2770436	WASHER
28	2770397	BOLT
29	2770417	NUT
30	2770370	BOLT
31	2770551	BOLT
32	2770442	SPRING WASHER
33	2770443	BOLT
34	2770460	NUT
35	6310214	BUSH
36	07.262.03	PLASTIC CAP
37	6310235	CAT 2 PIN – LONG
38	1777887	LIFT FRAME STOP BRACKET
	8550125	RUBBER STRIP

Spearhead 5 Series

TANK



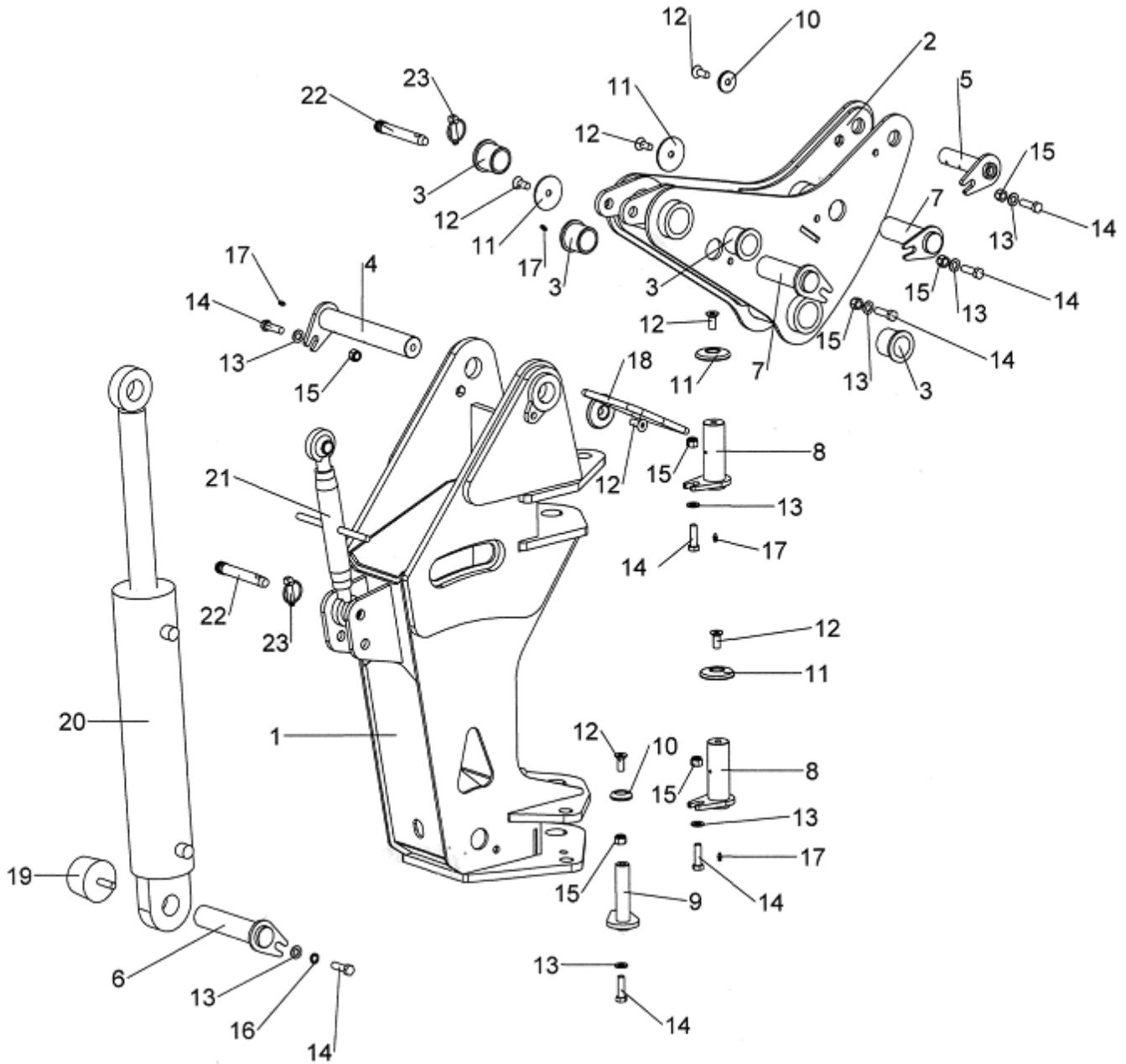
Spearhead 5 Series

TANK

Ref. No	Part No.	Description
1	1777773	TANK – LH
1	1777773R	TANK – RH
2	1777319B	REAR PANEL – LH
2	1777319RB	REAR PANEL – RH
3	8770668	REAR LIGHT
3a	8770669A	LENS
4	8400300	HINGE
5	2770436	FLAT WASHER
6	2770442	SPRING WASHER
7	2770397	BOLT
8	2770391	FLAT WASHER
9	3900069	TANK LEVEL GAUGE
10	3900078	FILTER HEAD
11	3260075	BONDED SEAL
12	3360095	ADAPTOR
13	2770394	NUT
14	2770580	PAN SCREW
15	2770255	BOLT
16	2770353	M10 FIBRE WASHER
17	2770412	NUT
18	T1698	MALE PLUG
19	2770203	NUT
20	5771633A	GASKET
21	1777103B	TANK LID
22	2770421	SET SCREW
22a	2770353	FIBRE WASHER
23	3900053	SUCTION STRAINER
24	3900050	TANK FILER
25	1777869	TANK LID – LH
25	1777869R	TANK – LID RH
26	3900066A	RETURN FILTER ELEMENT
27	6770939	WIRE ROPE
28	2770432	FLAT WASHER
29	2770368	BUTTON SCREW
30	2770416	NUT
31	1777937A	LH TANK TOOL TRAY
31	1777937AR	RH TANK TOOL TRAY
32	3151068	OIL COOLER (OPTIONAL)
Not Shown	8770603	ANTI – VIBRATION MOUNT
	2770416	NUT
	2770432	WASHER
	47313.03	OIL COOLER THERMOSTAT
	8770711	OIL COOLER CONTROL BOX
	8770712	OIL COOLER POWER LEAD
	06.616.51	2 PIN PLUG
8550142	LATCH C/W CLIP	

Spearhead 5 Series

SLEW POST & LIFT FRAME



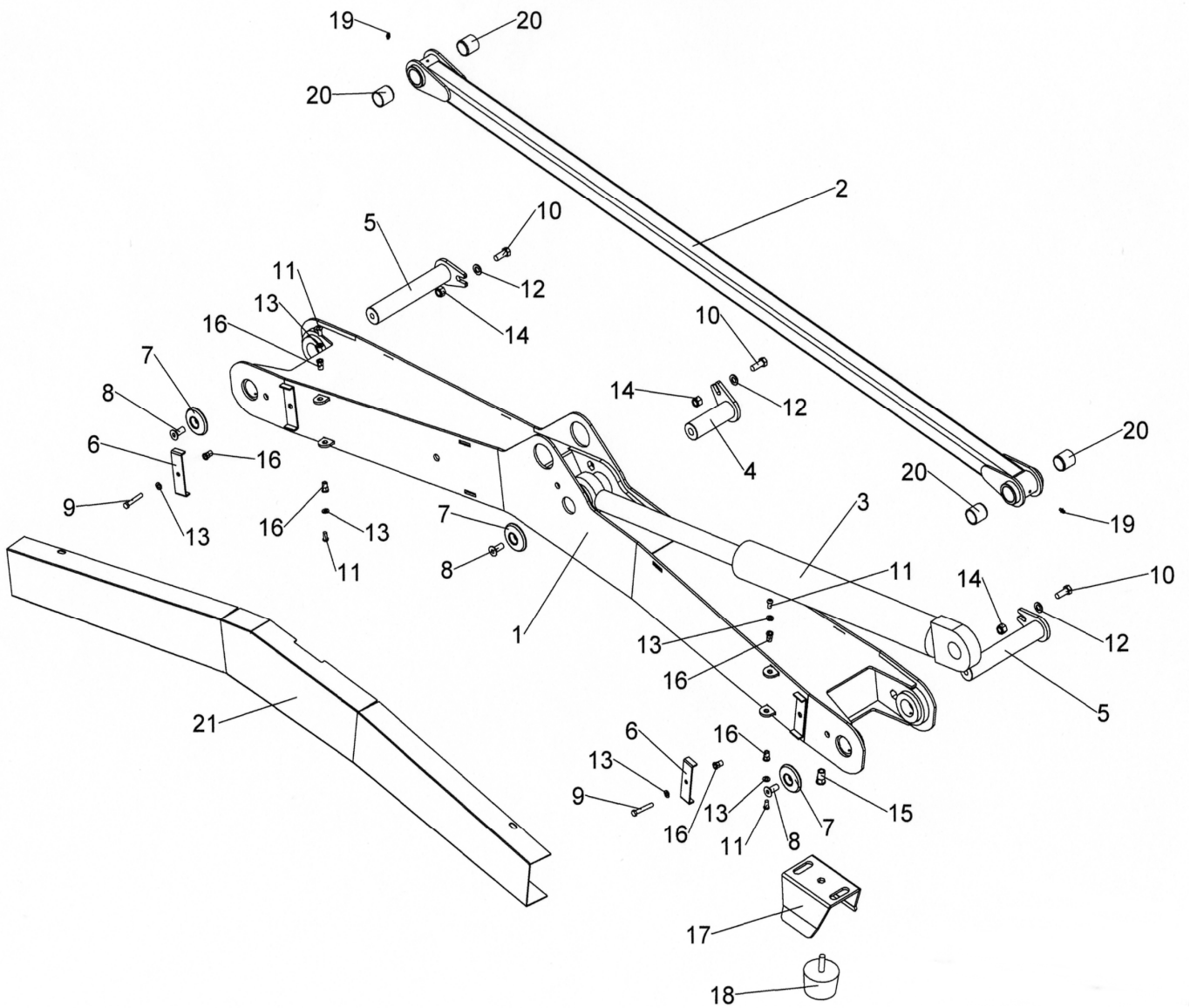
Spearhead 5 Series

SLEW POST & LIFT FRAME

Ref. No	Part No.	Description
1	1777771D	SLEW FRAME - LH
1	1777771DR	SLEW FRAME - RH
2	1777772C	LIFT FRAME
3	4600127-A	FLANGE BUSH
	4600125	STRAIGHT BUSH
4	1777911A	PEAR PIN: 40 X 251 mm
5	1777912A	PEAR PIN: 30 X 120 mm
6	1777977	PEAR PIN: 40 X 170 mm
7	1777976	PEAR PIN: 40 X 120 mm
8	1777760	PEAR PIN: 40 X 110 mm
9	1777916A	PEAR PIN: 25.4 X 110 mm
10	1777209	RETAINING WASHER
11	1777208	RETAINING WASHER
12	2770506	BOLT
13	2770436	FLAT WASHER
14	2770443	BOLT
15	2770417	NYLOCK NUT
16	2770442	SPRING WASHER
17	2770467	GREASE NIPPLE
18	1770693	HOSE GUARD
19	8770634	RUBBER CUSHION
20	3580660B	RAM
20a	3570668HP	RAM SEAL KIT
20b	3580660B.01	REPLACEMENT BALL-END
21	6310233A	CAT 1 TOP LINK
22	6310202	CAT 1 TOP LINK PIN
23	00.372.01	LYNCH PIN

Spearhead 5 Series

MAIN ARM



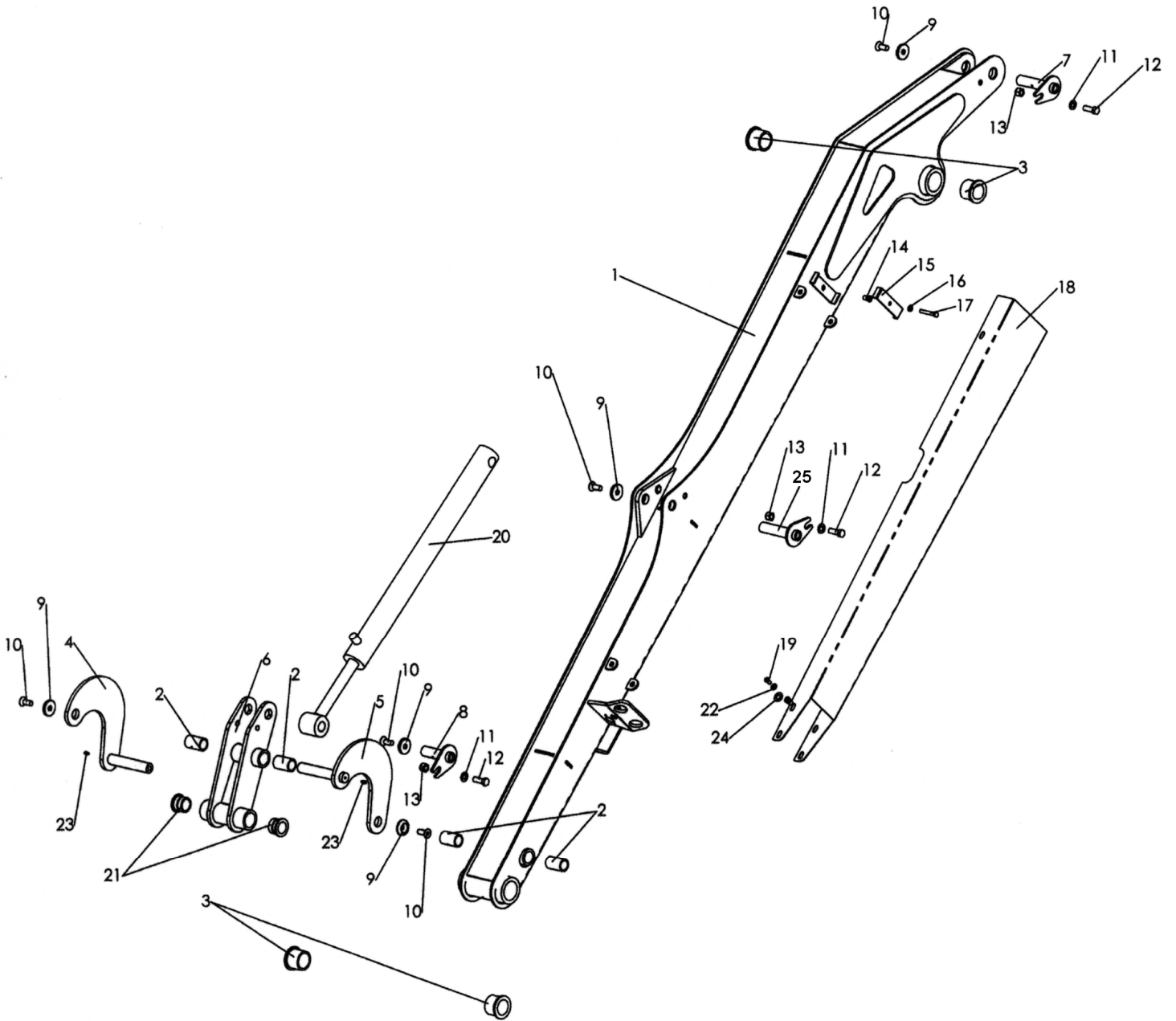
Spearhead 5 Series

MAIN ARM

Ref. No	Part No.	Description
1	1777759E	MAIN ARM – LH 565
1	1777759ER	MAIN ARM – RH 6000
1	1777876B	MAIN ARM – LH 605
1	1777876BR	MAIN ARM – RH 6000LR
1	1777758TE	MAIN ARM – LH 645
1	1777758TER	MAIN ARM – RH 6000T
2	1777766B	TIE BAR 565 & 645
2	1777877	TIE BAR 605
3	3580640B	RAM
3a	3570664HP	RAM SEAL KIT
3	3580640H	RAM (FROM FEB 09)
3a	3580640H.01	SEAL KIT
4	1777976	PEAR PIN: 40 X 120 mm
5	1777910A	PEAR PIN: 40 X 231 mm
6	1777954	HOSE CLAMP PLATE
7	1777208	RETAINING WASHER
8	2770506	BOLT
9	2770451	BOLT
10	2770420	BOLT
11	2770370	BOLT
12	2770436	FLAT WASHER
13	2770432	FLAT WASHER
14	2770417	NYLOCK NUT
15	2770205	RIVET NUT
16	2770201	RIVET NUT
17	1777144	ADJUSTABLE BUMP STOP
18	8770634	RUBBER CUSHION
19	2770467	GREASE NIPPLE
20	4600411	BUSH
21	1777320C	HOSE COVER – LH 565
21	1777320CR	HOSE COVER – RH 6000
21	1777878B	HOSE COVER – LH 605
21	1777878BR	HOSE COVER – RH 6000LR
21	1777320TC	HOSE COVER – LH 645
21	1777320TCR	HOSE COVER – RH 6000T

Spearhead 5 Series

DIPPER ARM



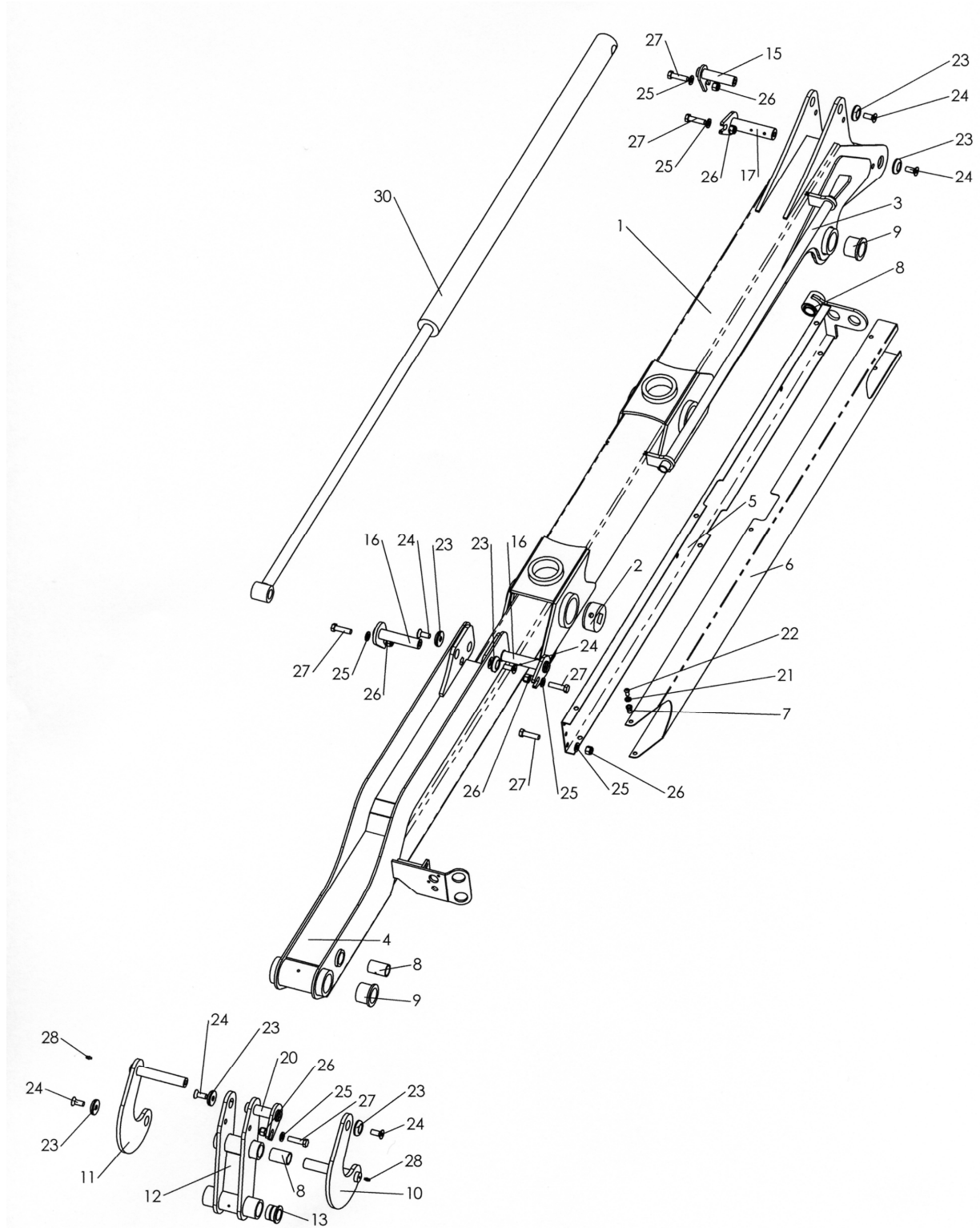
Spearhead 5 Series

DIPPER ARM

Ref. No	Part No.	Description
1	1777759C	LH DIPPER ARM 565
1	1777759CR	RH DIPPER ARM 6000
1	1777442C	LH DIPPER ARM 605
1	1777442CR	RH DIPPER ARM 6000LR
2	4600124	PLAIN BUSH
3	4600127 – A	FLANGE BUSH
4	1777117R	CURVED LINK – RH
5	1777117L	CURVED LINK – LH
6	1777116A	HEAD CROWD LINK BRACKET
7	1777915A	PEAR PIN: 30 X 126 mm
8	1777918A	PEAR PIN: 25.4 X 80 mm
9	1777209	RETAINING WASHER
10	2770506	SOCKET SCREW
11	2770436	FLAT WASHER
12	2770535	SET SCREW
13	2770417	NUT
14	2770201	RIVET NUT
15	1777954	HOSE CLAMP PLATE
16	2770432	FLAT WASHER
17	2770451	BOLT
18	1777964B	DIPPER ARM COVER 565
18	1777443B	DIPPER ARM COVER 605
19	2770370	BUTTON SCREW
20	3580636	HEAD RAM
20a	3570666HP	SEAL KIT
21	4600135B	FLANGE BUSH
22	2770323	SHAKE PROOF WASHER
23	2770467	GREASE NIPPLE
24	2770244	REPAIR WASHER
25	1777916A	PEAR PIN: 25.4 X 110 mm

Spearhead 5 Series

TELESCOPIC DIPPER ARM



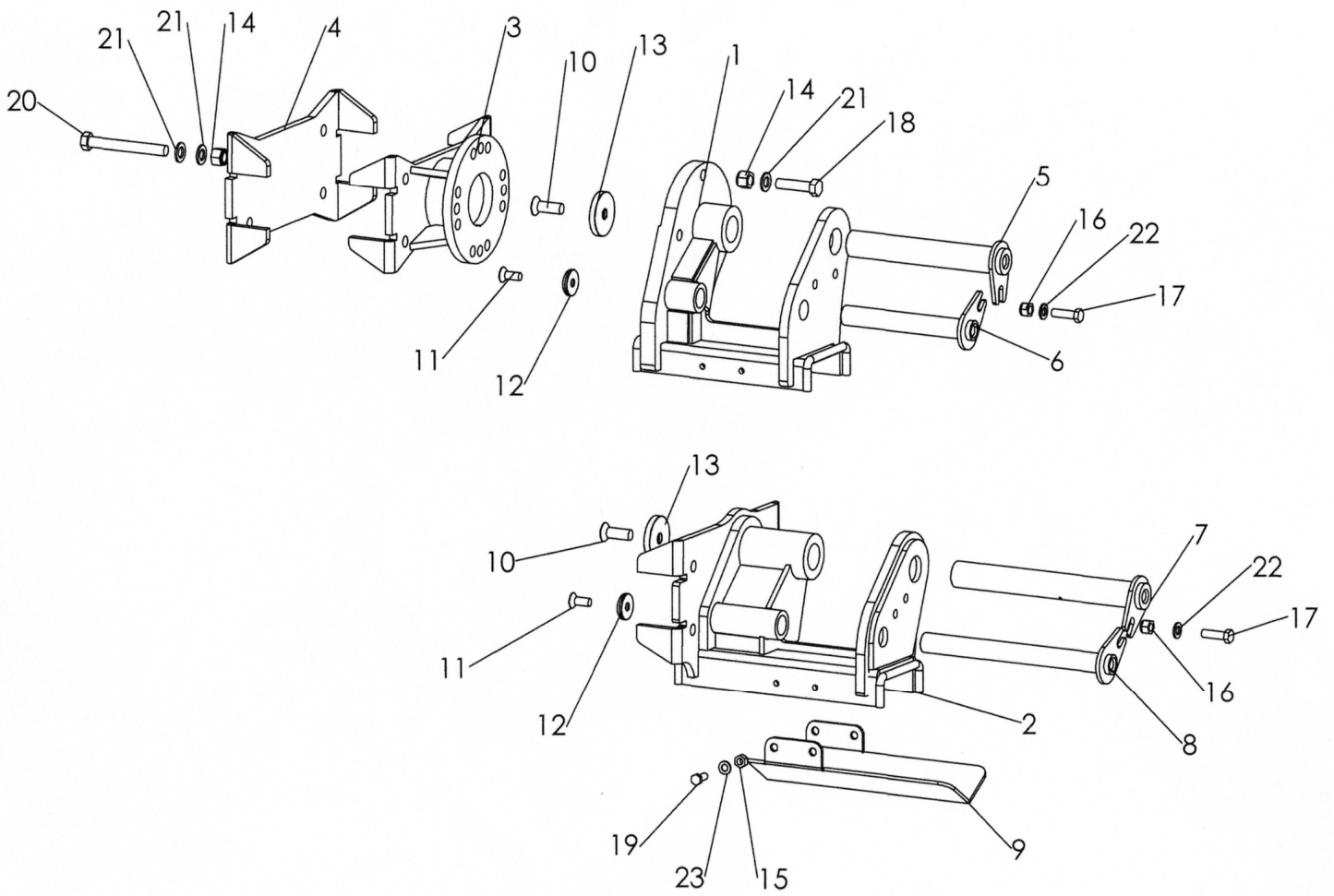
Spearhead 5 Series

TELESCOPIC DIPPER ARM

Ref. No	Part No.	Description
1	1777957	LH OUTER DIPPER ARM
1	1777957R	RH OUTER DIPPER ARM
2	4600121A	WEAR PAD
3	1778303	SLIDE RAIL
	2771111	CIRCLIP
4	1777958A	LH INNER ARM
4	1777958AR	RH INNER ARM
5	1777959	LH HOSE CHANNEL
5	1777959R	RH HOSE CHANNEL
6	1777929	LH HOSE COVER
6	1777929R	RH HOSE COVER
7	2770201	RIVET NUT
8	4600124	PLAIN BUSH
9	4600127-A	FLANGE BUSH
10	1777117L	CURVED LINK LH
11	1777117R	CURVED LINK RH
12	1777116A	HEAD CROWD LINK BRACKET
13	4600135B	FLANGE BUSH
15	1777368A	PEAR PIN: 25.4 X 90 mm
16	1777928A	PEAR PIN: 25.4 X 113 mm
17	1777912A	PEAR PIN: 30 X 120 mm
20	1777918A	PEAR PIN: 25.4 X 80 mm
21	2770432	FLAT WASHER
22	2770370	SOCKET BUTTON SCREW
23	1777209	RETAINING WASHER
24	2770506	SOCKET CSK SCREW
25	2770436	FLAT WASHER
26	2770417	NYLOCK
27	2770397	BOLT
28	2770467	GREASE NIPPLE
30	3580653A	RAM
30a	3570665HP	RAM SEAL KIT

Spearhead 5 Series

HEAD CROWD BRACKET



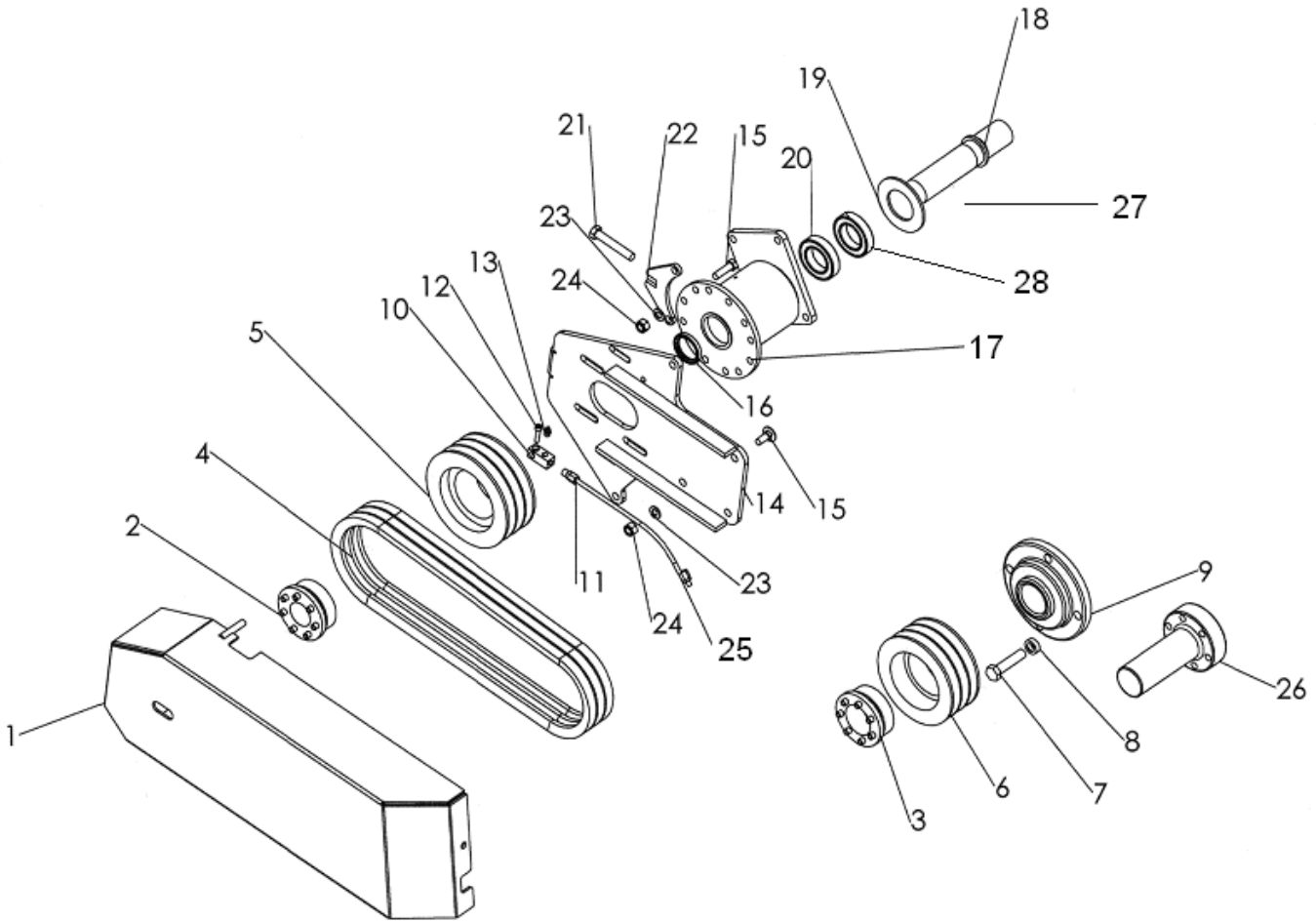
Spearhead 5 Series

HEAD CROWD BRACKET

Ref. No	Part No.	Description
1	1777316E	HEAD CROWD BRACKET LH
1	1777316ER	HEAD CROWD BRACKET RH
2	1778300	HEAD CROWD BRACKET LH
2	1778300R	HEAD CROWD BRACKET RH
3	1777315B	HEAD ANGLE BRACKET
4	1777325B	HEAD RETAINING PLATE
5	1777911A	PEAR PIN: 40 X 251 mm
6	1777914A	PEAR PIN: 30 X 251 mm
7	1777935A	PEAR PIN: 40 X 310 mm
8	1777934A	PEAR PIN: 30 X 310 mm
9	1777879	HOSE CARRIER BRACKET
10	2770461	SOCKET SCREW
11	2770506	SOCKET SCREW
12	1777209	RETAINING WASHER
13	1777850A	RETAINING WASHER
14	2770447	NYLOCK NUT
15	2770434	FLAT WASHER
16	2770417	NYLOCK NUT
17	2770458	SET SCREW
18	2770423	SET SCREW
19	2770407	SET SCREW
20	2770346	BOLT
21	2770454	FLAT WASHER
22	2770436	FLAT WASHER
23	2770469	SPRING WASHER

Spearhead 5 Series

BELT DRIVE - DP HEAD



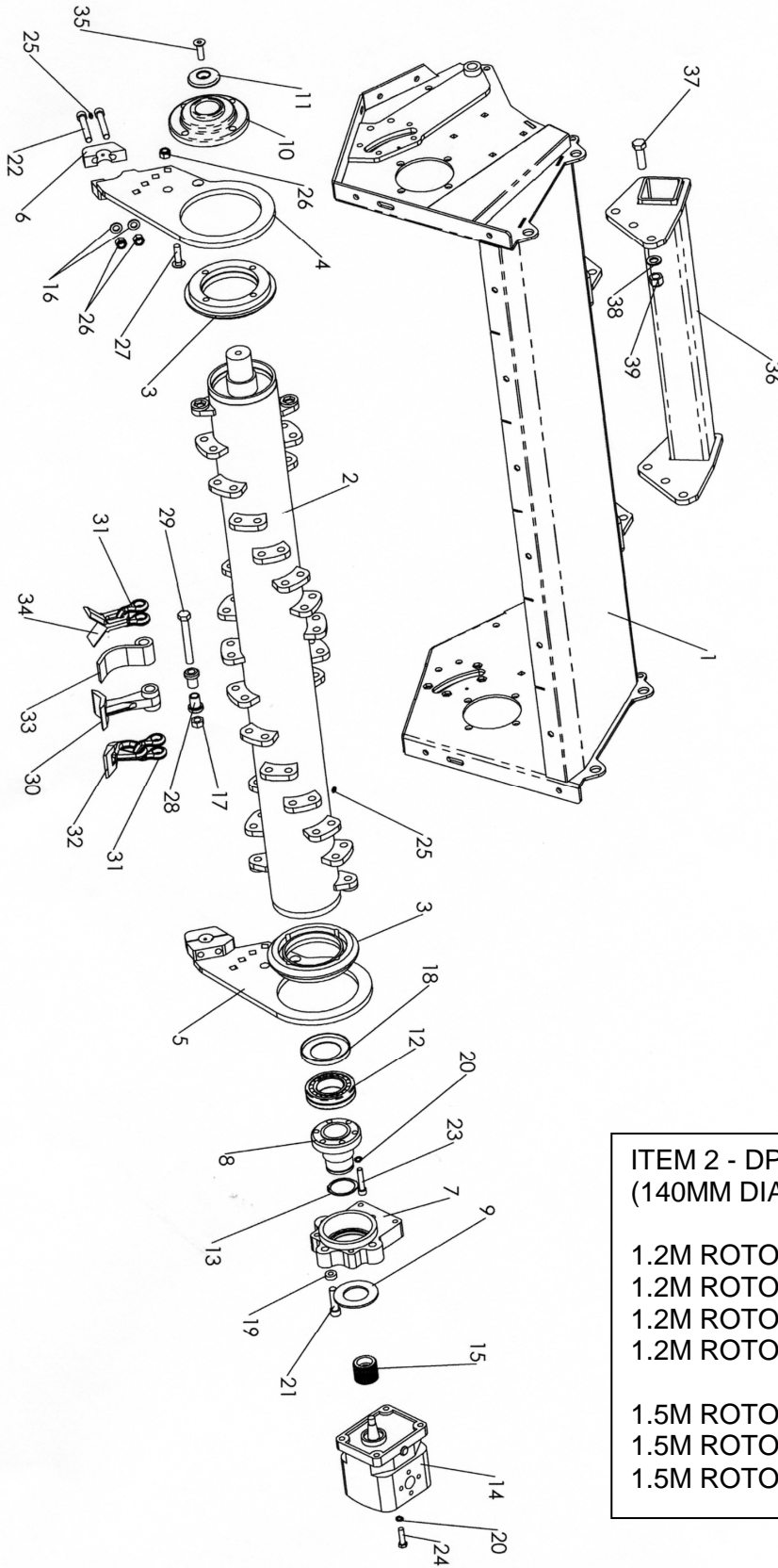
Spearhead 5 Series

BELT DRIVE - DP HEAD

Ref. No	Part No.	Description
1	1777925	BELT GUARD LH
1	1777925R	BELT GUARD RH
2	4770921	CLAMPING ELEMENT
3	4770922	CLAMPING ELEMENT
4	4770868	BELT (X 3)
5	4770925	PULLEY (160)
6	4770924	PULLEY (150)
7	2770546	BOLT
8	2770457	SPRING WASHER
9	4770858	ROTOR BEARING
10	2772301	ANCHOR BLOCK
11	2772305	GREASE TUBE
12	2770371	BOLT
13	2770468	GREASE NIPPLE
14	1778047	BELT DRIVE BACK PLATE LH
14	1778047R	BELT DRIVE BACK PLATE RH
15	2770257	BOLT
16	4771505	OIL SEAL
17	1777920B	BEARING HOUSING
18	1800281	BELT DRIVE MOTOR SHAFT
19	1777806A	BUSH
20	4770872	BEARING
21	2770382	BOLT
22	1777939	BELT DRIVE ADJUSTABLE PLATE
23	2770434	WASHER
24	2770412	NUT
25	2772306	GREASE TUBE CONNECTOR
26	1771536B	STUB SHAFT
26a	2772293	BOLT
27	2771109	CIRCLIP
28	4771607	BEARING

Spearhead 5 Series

DIRECT DRIVE - DP HEAD



ITEM 2 - DP ROTOR ASSEMBLES (140MM DIAMETER)

- 1.2M ROTOR – 1777514C – 'C' FLAIL
- 1.2M ROTOR – 1777514B – 'T' FLAIL
- 1.2M ROTOR – 1777514A – 'BOOT' FLAIL
- 1.2M ROTOR – 1777514D – 'BB' FLAIL

- 1.5M ROTOR – 1777342J - 'C' FLAIL
- 1.5M ROTOR – 1777342K - 'T' FLAIL
- 1.5M ROTOR – 1777342L - 'BOOT' FLAIL

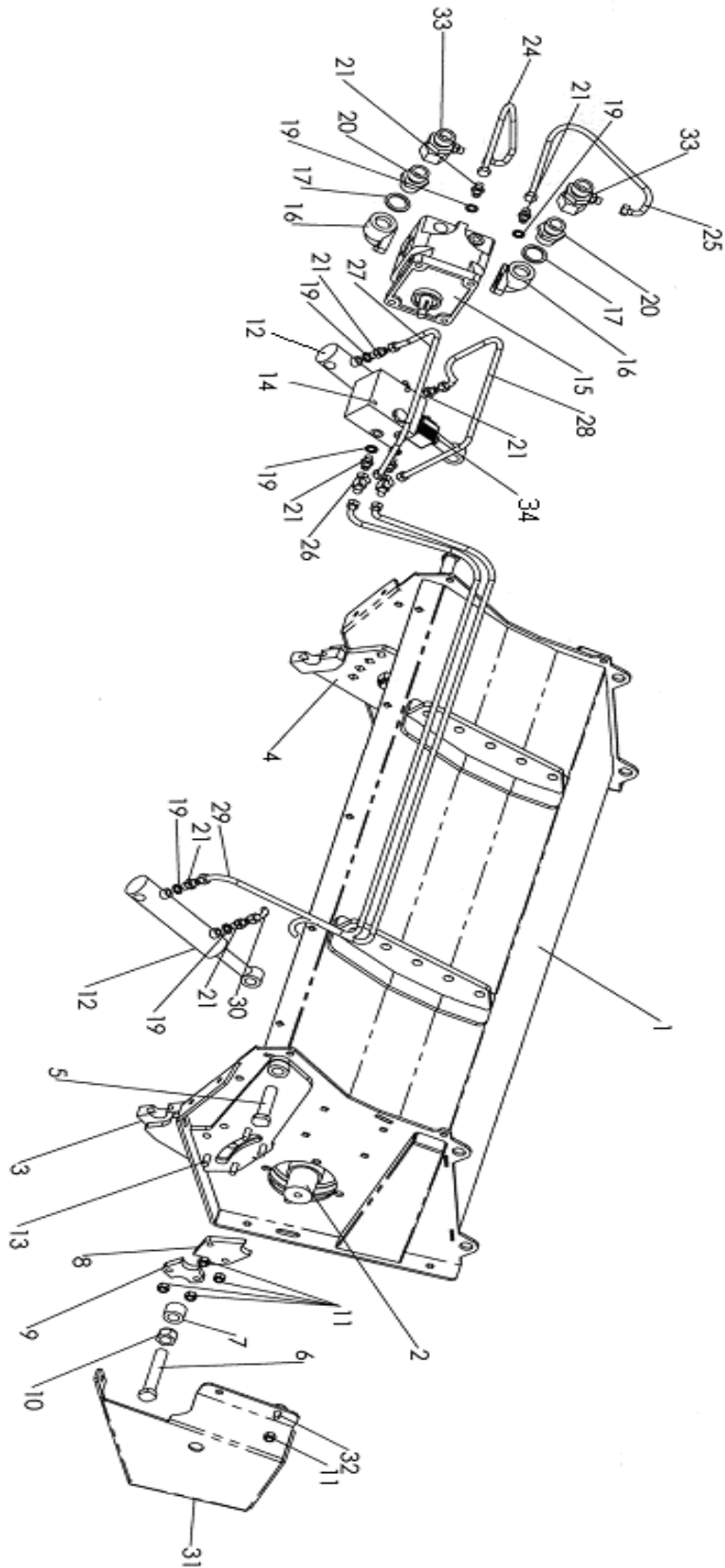
Spearhead 5 Series

DIRECT DRIVE - DP HEAD

Ref. No	Part No.	Description
1	1778043C	HEAD SHELL – 1.2M
1a	1777340E	HEAD SHELL – 1.5M
3	040001B	ROTOR BEARING PROTECTION
4	1778060RA	ADJUSTABLE ROLL CLAMP RH
5	1778060LA	ADJUSTABLE ROLL CLAMP LH
6	040000D	ADJUSTABLE ROLL CLAMP
7	1778032	BEARING HOUSING PLATE
8	1777975	ROTOR DRIVE END
8a	1771536B	BELT DRIVE STUB
9	1777806A	WASHER
10	4770858	BEARING
10a	2770452	BOLT
11	1777208	WASHER
12	4770666	BEARING
13	2777511	CIRCLIP
14	3151034	MOTOR
15	3151028	BUSH
15a	2770350	NUT
15b	2770457	WASHER
15c	4772226	KEY
16	2770436	WASHER
17	05.968.06	LOCK NUT
18	3570676	SEAL
19	2770457	WASHER
20	2770469	WASHER
21	2770337	CAP SCREW
22	2770347	CAP SCREW
23	2772293	CAP SCREW
24	2770396	SET SCREW
25	2770467	GREASE NIPPLE
26	2770417	NYLOCK NUT
27	2770259	SQUARE BOLT
28	1777721	FLAIL BUSH
29	2770599	BOLT
30	7770713	'T' FLAIL
31	7770722	SHACKLE BOOT FLAIL
32	7770723A	BOOT FLAIL
33	7770699	'C' FLAIL
34	7770725	BACK TO BACK FLAIL
35	2770381	SCREW
36	1777938	HEAD MOUNT BRACKET
36a	8777516	END CAP 80X80
37	2770425	BOLT
38	2770454	FLAT WASHER
39	2770447	NUT

Spearhead 5 Series

HYDRAULIC ROLLER - DP HEAD



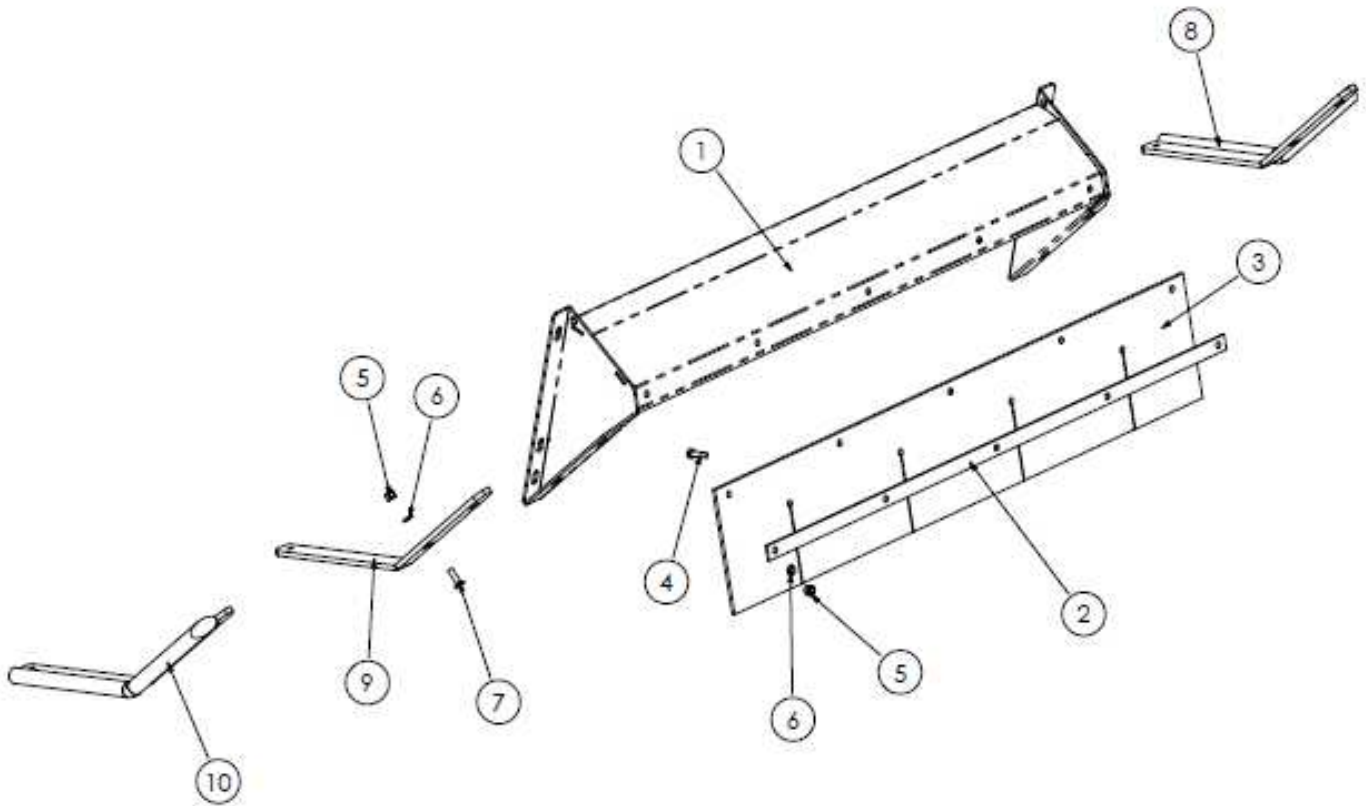
Spearhead 5 Series

HYDRAULIC ROLLER - DP HEAD

Ref. No	Part No.	Description
1	1778043C	HEAD SHELL – 1.2 M
1	1777340E	HEAD SHELL – 1.5 M
3	1778060LA	ADJUSTABLE ROLLER PLATE RH
4	1778060RA	ADJUSTABLE ROLLER PLATE LH
5	2772308	ADJUSTABLE ROLLER RAM PIN
6	2772309	ADJUSTABLE ROLLER RAM ROD PIN
7	1778062	ADJUSTABLE ROLL SPACER BUSH
8	1778058	ADJUSTABLE ROLL STOP PLATE
9	1778059	ADJUSTABLE ROLL STOP PLATE
10	2770344	NYLOCK NUT
11	2770402	NYLOCK NUT
12	3580664	HYDRAULIC ROLLER RAM
12a	3580664W	SEAL KIT
13	2770396	SETSCREW
14	3610080	VALVE
15	3151034	MOTOR
16	3151008	PORT ELBOW
17	3260074	BONDED SEAL
19	3260070	BONDED SEAL
20	3360092	ADAPTOR
21	3360080	ADAPTOR
24	3760401	ROLLER HOSE
25	3760400	ROLLER HOSE
26	3460100	ADAPTOR
27	3760402	ROLLER HOSE
28	3760403	ROLLER HOSE
29	3760404	ROLLER HOSE
30	3760405	ROLLER HOSE
31	1778061L	GUARD LH
31	1778061R	GUARD RH
32	2770255	BOLT
33	3700167	ADAPTOR
34	3610080/1	COIL
34	3610082/1	CARTRIDGE VALVE
Not Shown	1778069G	MOTOR GUARD LH
Not Shown	1778069GR	MOTOR GUARD RH

Spearhead 5 Series

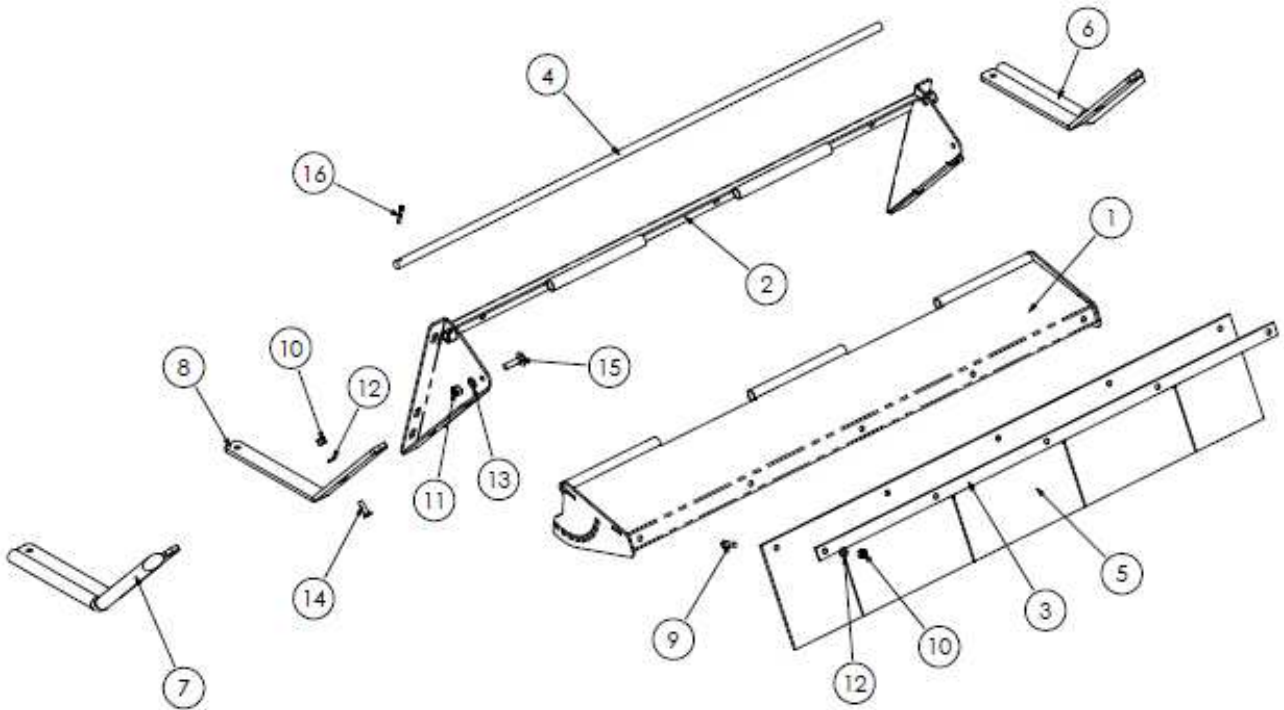
FIXED FRONT HOOD - S180009.3I



REF NO.	PART NO.	QTY.	DESCRIPTION
1	1778066	1	FRONT HOOD
2	1777398	1	RETAINING STRIP
3	8400204	1	RUBBER STRIP
4	2770396	5	M10 X 35 BOLT
5	2770412	8	M10 NYLOCK NUT
6	2770434	8	M10 FLAT WASHER
7	2770509	6	M10 X 40 SKT CSK SCREW
8	1777544L	1	COWL WEAR PLATE LH
9	1777544	2	SKID
10	1777544R	1	COWL WEAR PLATE RH

Spearhead 5 Series

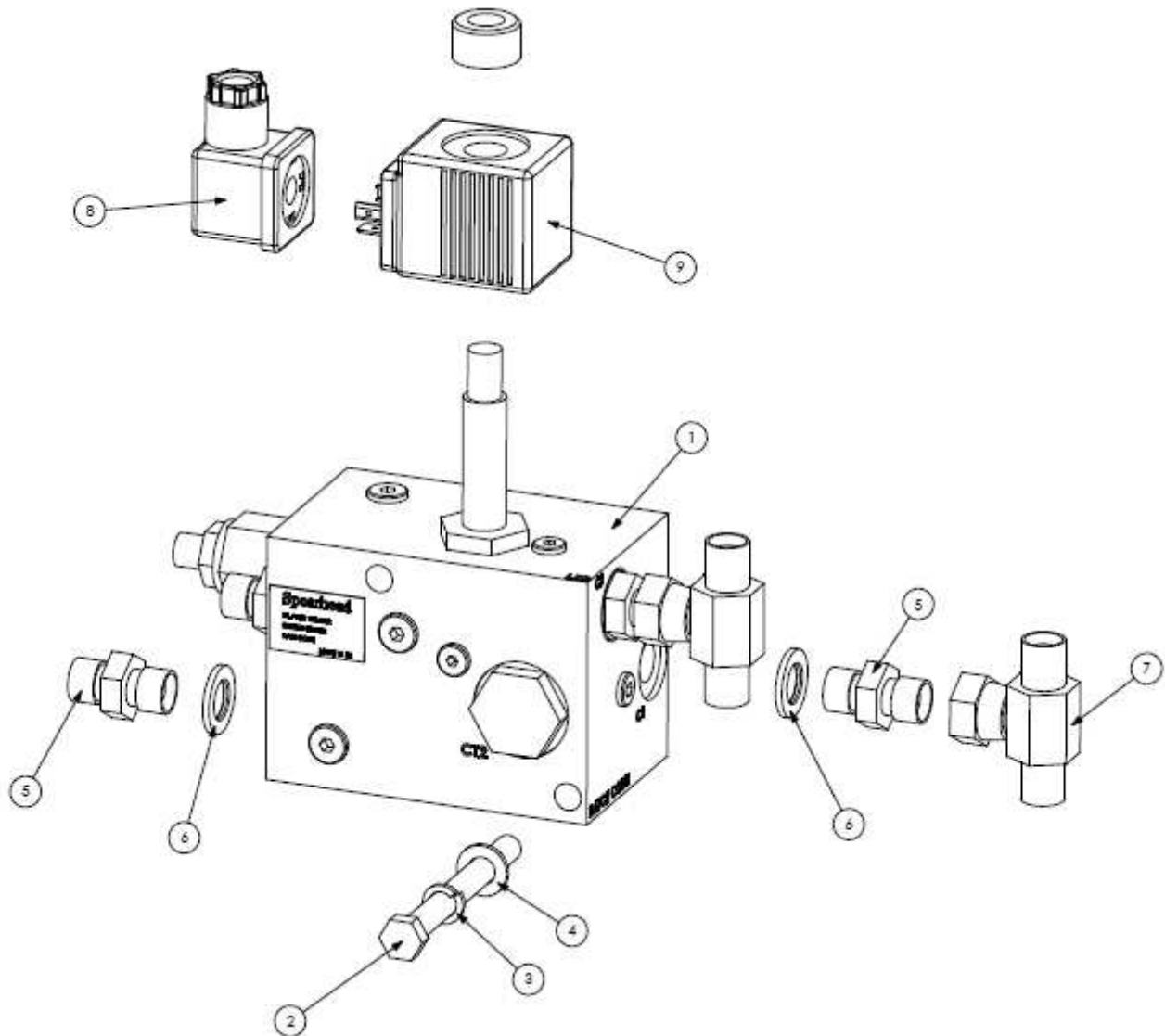
ADJUSTABLE FRONT HOOD - S180009.32



REF NO.	PART NO.	QTY.	DESCRIPTION
1	1778064	1	FRONT HOOD
2	1778065	1	HOOD MOUNT BRACKET
3	1777398	1	RETAINING STRIP
4	1777493A	1	HINGE BAR
5	8400204	1	RUBBER STRIP
6	1777543L	1	COWL WEAR PLATE LH
7	1777543R	1	COWL WEAR PLATE RH
8	1777543	2	SKID
9	2770396	5	M10 X 35 BOLT
10	2770412	11	M10 NYLOCK NUT
11	2770417	2	M12 NYLOCK NUT
12	2770434	11	M10 FLAT WASHER
13	2770436	2	M12 FLAT WASHER
14	2770509	6	M10 X 40 SKT CSK SCREW
15	05.839.36	2	M12 X 50 COACH BOLT
16	05.284.27	1	ROLL PIN

Spearhead 5 Series

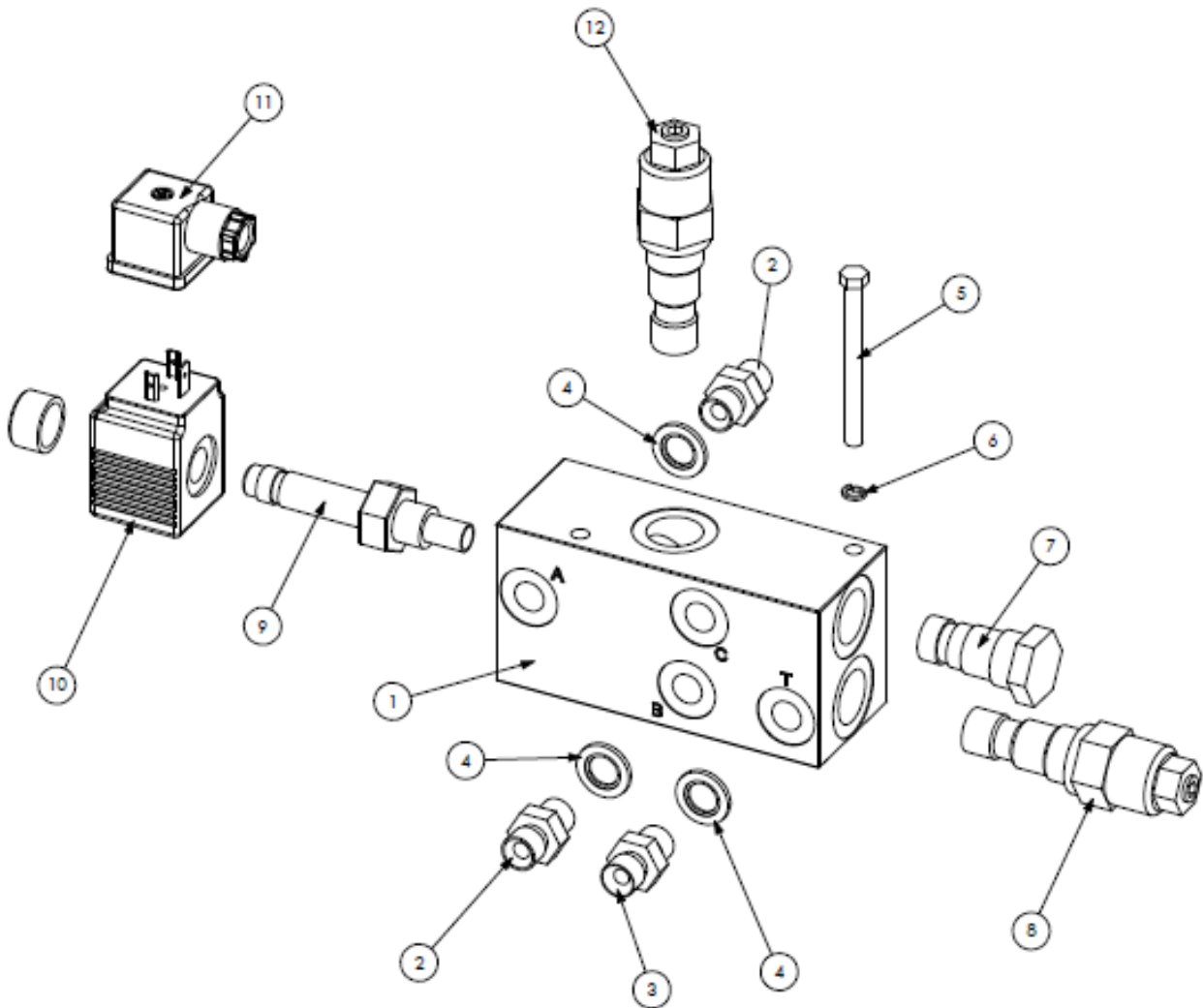
HYDRAULIC ROLLER VALVE - S180018.28



REF NO.	PART NO.	QTY.	DESCRIPTION
1	3610082	1	VALVE ASSEMBLY
2	2772289	2	M8 X 80 BOLT
3	2770433	2	M8 SPRING WASHER
4	2770432	2	M8 FLAT WASHER
5	3360080	4	1/4" M-M
6	3260070	4	1/4" BONDED SEAL
7	3460101	2	1/4" TEE
8	3610048	0	DIN CONNECTOR
9	3610030A	0	COIL

Spearhead 5 Series

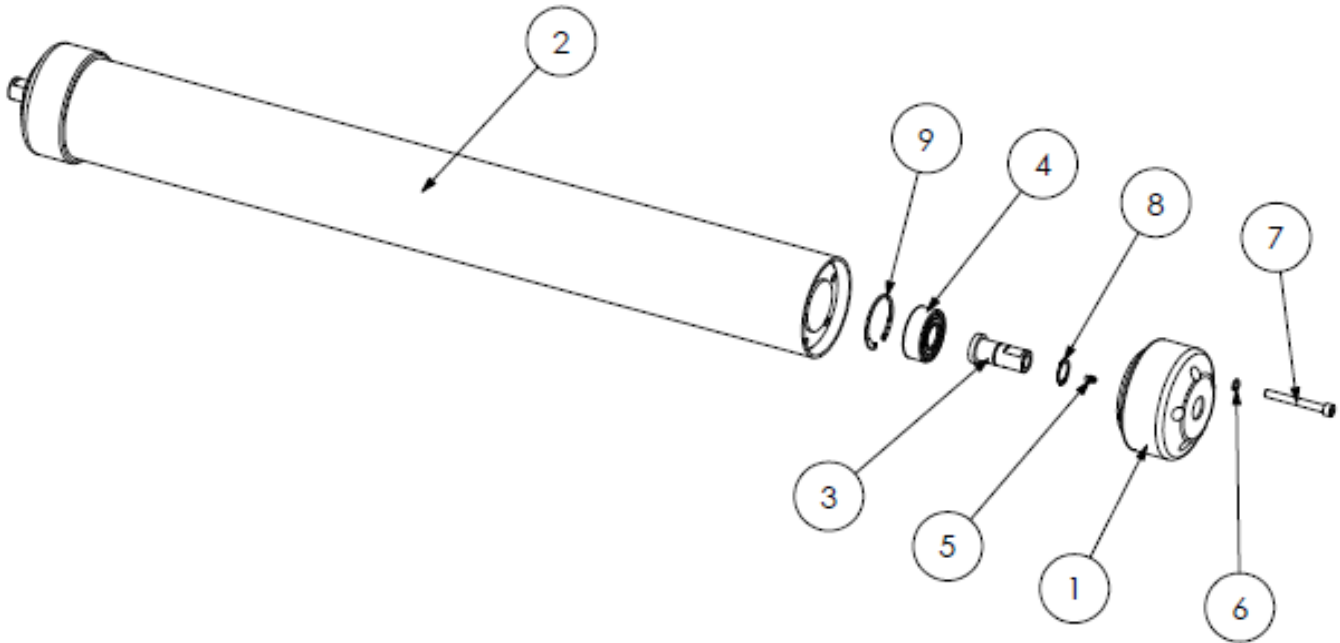
BREAK BACK VALVE – S 180028.4I



REF NO.	PART NO.	QTY.	DESCRIPTION
1	3610057	1	VALVE ASSEMBLY
2	3360080	6	1/4" M-M
3	3360097	1	1/4" M-M R1
4	3260070	7	1/4" BONDED SEAL
5	30.068.93	2	M6 X 70 BOLT
6	05.282.07	2	M6 SPRING WASHER
7	3610054	-	P.O.C. CARTRIDGE
8	3600144	-	RELIEF VALVE CARTRIDGE
9	3610032A	-	SOLENOID CARTRIDGE
10	3610052	-	COIL
11	3610048	-	DIN CONNECTOR
12	3600137	-	SEQUENCE CARTRIDGE

Spearhead 5 Series

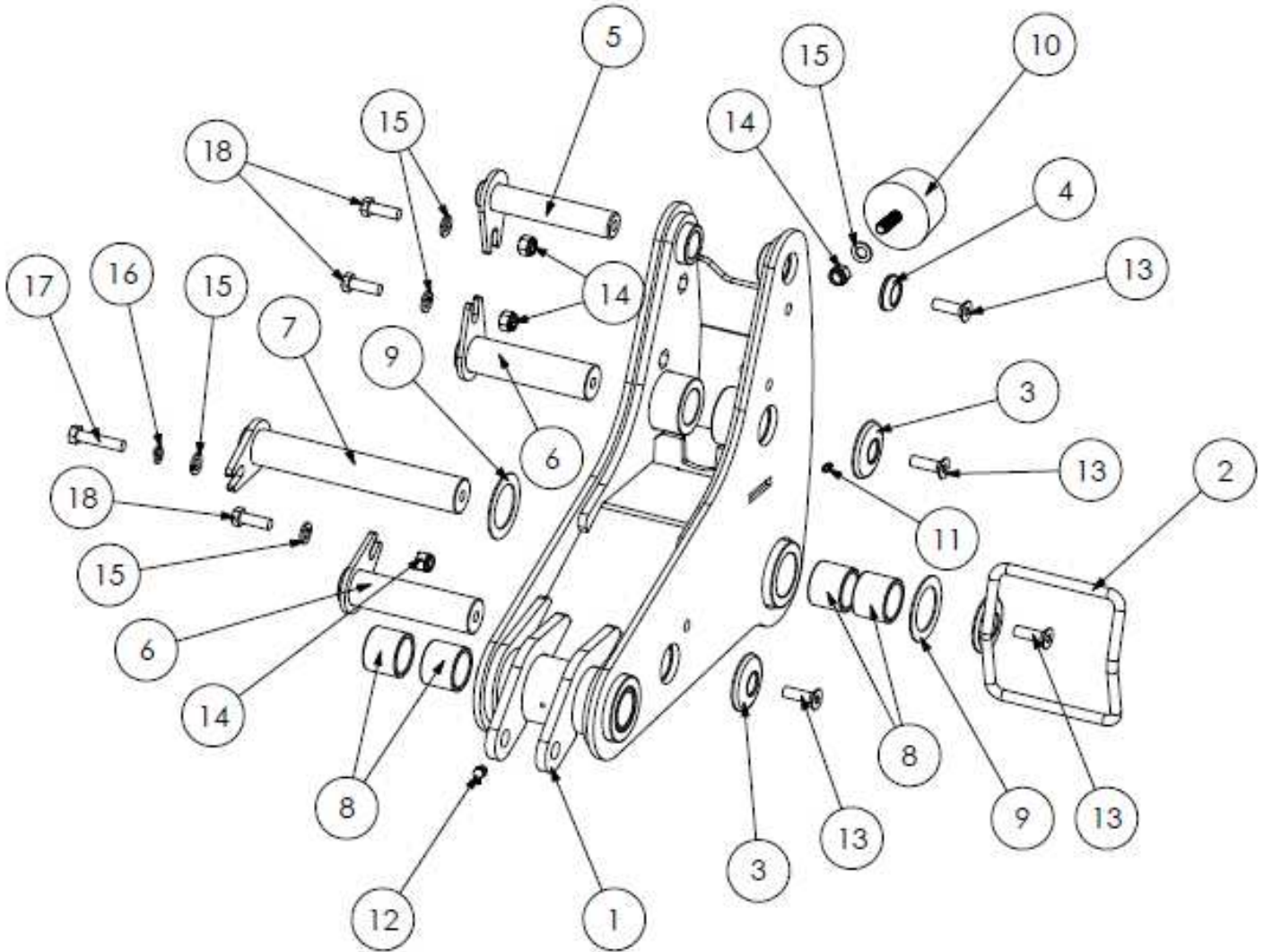
REAR ROLLER



REF NO.	PART NO.	QTY. 1.2M	QTY. 1.5M	DESCRIPTION
	SA06212	1	-	COMPLETE ROLLER ASSEMBLY - 1.2M
	SA06215	-	1	COMPLETE ROLLER ASSEMBLY - 1.5M
1	180735	2	2	END CAP
2	180902	1	-	ROLLER TUBE - 1.2M
2	180903	-	1	ROLLER TUBE - 1.5M
3	180785	2	2	STUB SHAFT
4	4771608	2	2	BEARING
5	2770467	2	2	M6 ST GREASE NIPPLE
6	2770469	10	10	M10 SPRING WASHER
7	2770482	10	10	M10 X 90 SKT CAP BOLT
8	2777519	2	2	CIRCLIP
9	2771108	2	2	CIRCLIP

Spearhead 5 Series

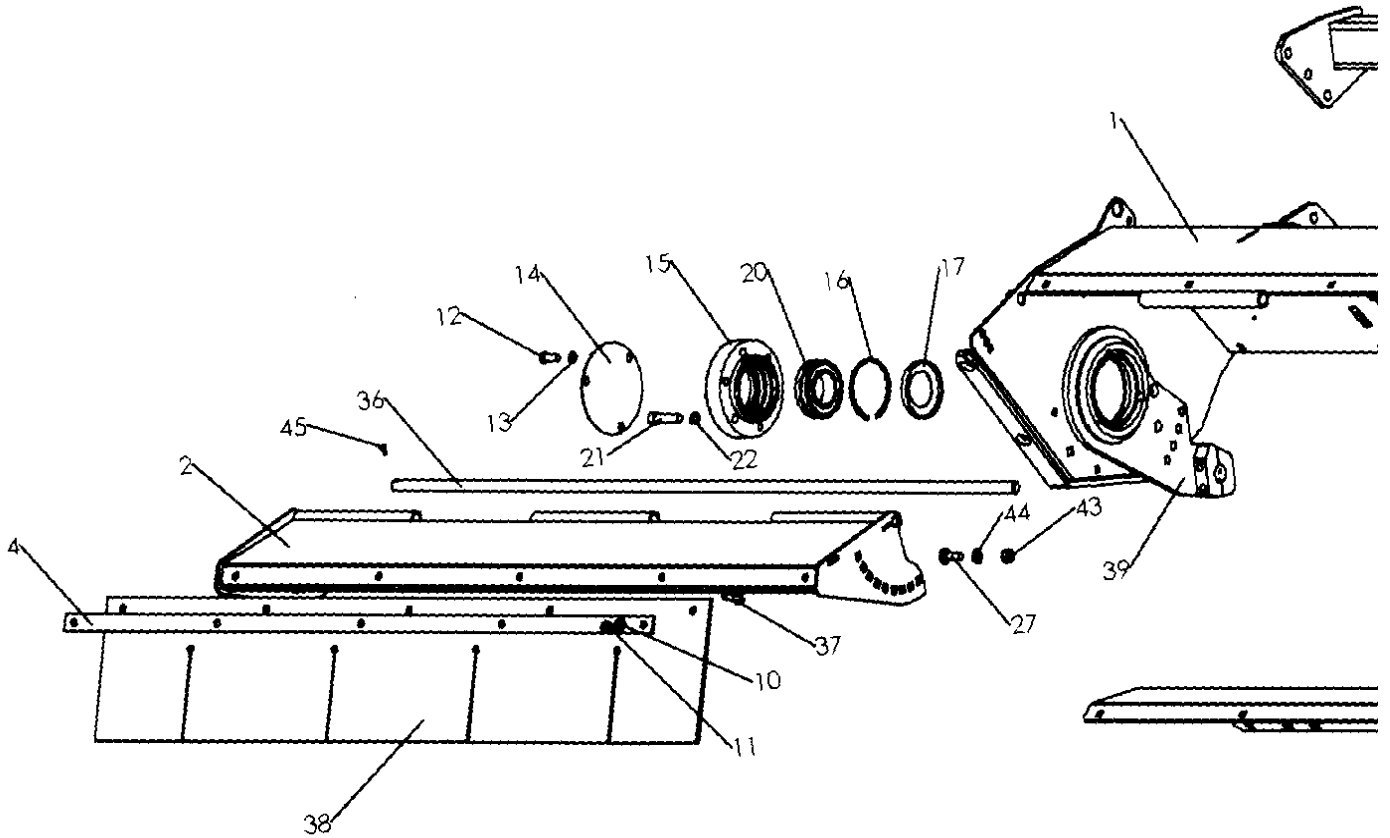
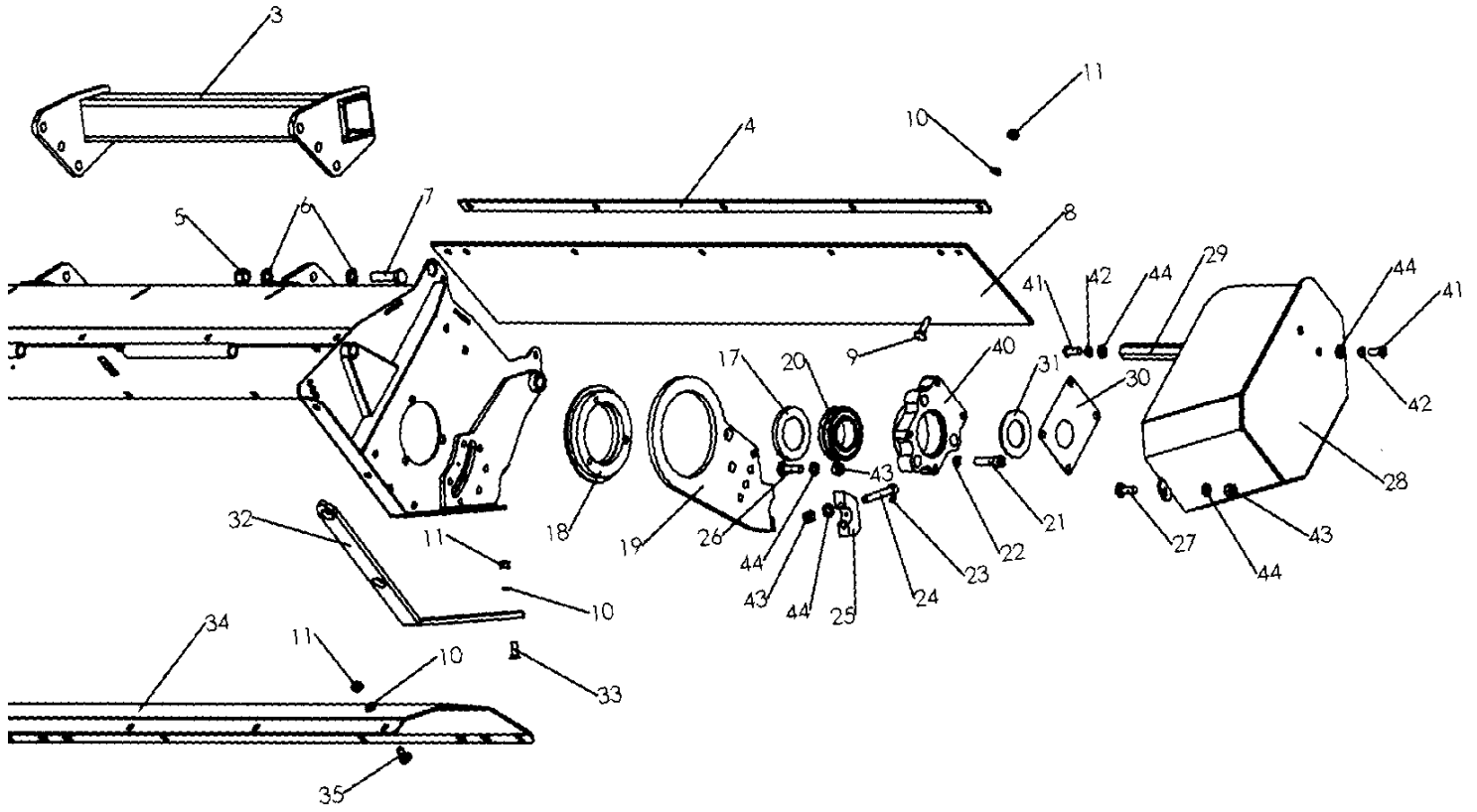
HEAVY DUTY LIFT FRAME



REF NO.	PART NO.	QTY.	DESCRIPTION
1	1800326	1	LIFT FRAME
2	1770693	1	HOSE GUIDE BRACKET
3	1777208	2	RETAINING WASHER - 65mm
4	1777209	1	RETAINING WASHER - 40mm
5	1777467	1	PEAR PIN: 30 X 146mm
6	1782070	2	PEAR PIN: 40 X 147mm
7	1777911A	1	PEAR PIN: 40 X 251mm
8	4600125	8	BUSH
9	4600137	2	SPACER
10	8770634	1	RUBBER CUSHION
11	2770467	1	M6 ST GREASE NIPPLE
12	2770497	1	M6 90 GREASE NIPPLE
13	2770398	4	M12 X 40 SKT CSK SCREW
14	2770417	4	M12 NYLOCK
15	2770436	5	M12 FLAT
16	2770442	1	M12 SPRING WASHER
17	2770450	1	M12 X 55 BOLT
18	2770535	3	M12 X 35 BOLT

Spearhead 5 Series

DIECT DRIVE - MPI HEAD



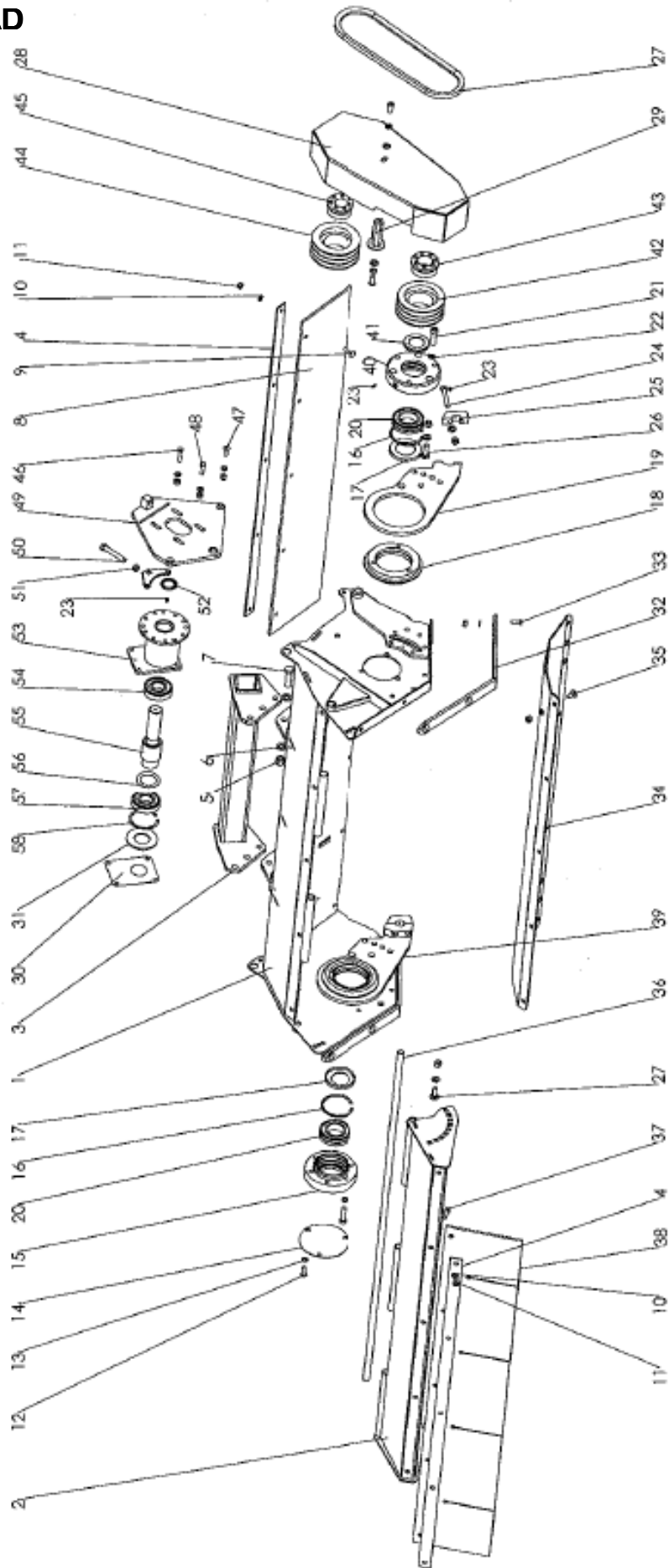
Spearhead 5 Series

DIRECT DRIVE - MPI HEAD

Ref. No	Part No.	Description
1	1800183	HEAD SHELL – 1.2M
	1800292	HEAD SHELL – 1.5M
2	1778064	FRONT HOOD – 1.2M
	1777095C	FRONT HOOD – 1.5M
3	1800184	HEAD MOUNT BRACKET
4	1777398	RETAINING BAR 1.2M
	1777499B	RETAINING BAR 1.5M
5	2770447	LOCKNUT
6	2770454	FLAT WASHER
7	2770425	BOLT
8	8400207B	REAR FLAP 1.2M
9	2770257	BOLT
10	2770434	FLAT WASHER
11	2770412	LOCKNUT
12	9300148	SCREW
13	2770442	SPRING WASHER
14	1800186	NON DRIVE COVER
15	1800187	BEARING HOUSING
16	2777521	CIRCLIP
17	3570676	SEAL
18	1800188	PROTECTION RING
19	1778060L	LH ROLLER PLATE
20	4770666	BEARING
21	2770337	SCREW
22	2770457	SPRING WASHER
23	2770467	GREASE NIPPLE
24	2770347	SCREW
25	040000D	ROLLER CLAMP
26	2770259	BOLT
27	2770258	BOLT
28	1800255	LH MOTOR GUARD
	1800256	RH MOTOR GUARD
29	1800250	MOUNTING PIN
30	3151019	GASKET
31	1777806	CENTRING WASHER 90MM
32	1777543	SKID
33	2770509	BOLT
34	1800257	INNER SKIN 1.2M
	1800297	INNER SKIN 1.5M
35	2770261	BOLT
36	1800194	HINGE BAR 1.2M
	180392	HINGE BAR 1.5M
37	2770396	BOLT
38	8400204	FRONT FLAP 1.2M
	8550127	FRONT FLAP 1.5M
39	1778060R	RH ROLLER PLATE
40	1800198	BEARING HOUSING
41	05.625.10	BOLT
42	2770442	WASHER
43	2770417	NUT
44	2770436	WASHER
45	05.969.02	SCREW

Spearhead 5 Series

BELT DRIVE - MPI HEAD



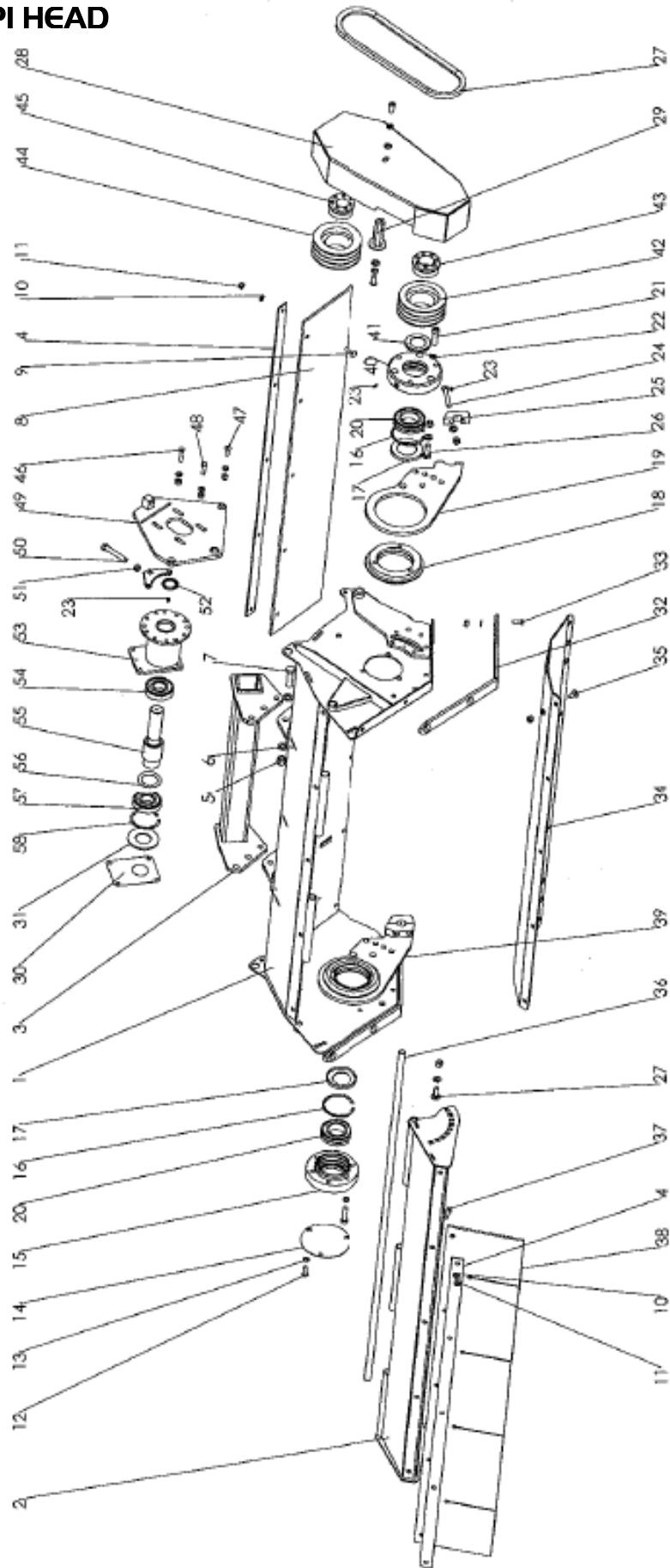
Spearhead 5 Series

BELT DRIVE - MPI HEAD

Ref. No	Part No.	Description
1	1800183	1.2M HEAD SHELL
	1800292	1.5M HEAD SHELL
2	1778064	1.2M FRONT COWL
	1777095C	1.5M FRONT COWL
3	1800184	MOUNTING BRACKET
4	1777398	1.2M RETAINING BAR
	1777499B	1.5M RETAINING BAR
5	2770447	NUT
6	2770454	WASHER
7	2770425	BOLT
8	8400207B	1.2M REAR FLAP
	8550127	1.5M REAR FLAP
9	2770257	BOLT
10	2770434	WASHER
11	2770412	NUT
12	9300148	SCREW
13	2770442	SPRING WASHER
14	1800186	COVER
15	1800187	BEARING HOUSING
16	2777521	CIRCLIP
17	2570676	SEAL
18	1800188	PROTECTION RING
19	1778060L	LH ROLLER PLATE
20	4770666	BEARING
21	2770337	SCREW
22	2770457	SPRING WASHER
23	2770467	GREASE NIPPLE
24	2770347	SCREW
25	040000D	ROLLER CLAMP
26	2770259	BOLT
27	4770868	BELT X 3
28	1800189	BELT GUARD
29	1800191	MOUNTING PIN
30	3151019	GASKET
31	1777806A	CENTRING WASHER 100MM
32	1777543	SKID
33	2770509	BOLT
34	1800257	INNER SKIN 1.2M
	1800297	INNER SKIN 1.5M
35	2770261	BOLT
36	1800194	HINGE BAR 1.2M
	015605-04	HINGE BAR 1.5M
37	2770396	BOLT
38	8400204	FRONT FLAP 1.2M
	8400208	FRONT FLAP 1.5M
39	1779060R	RH ROLLER PLATE
40	1800187	BEARING HOUSING

Spearhead 5 Series

BELT DRIVE - MPI HEAD



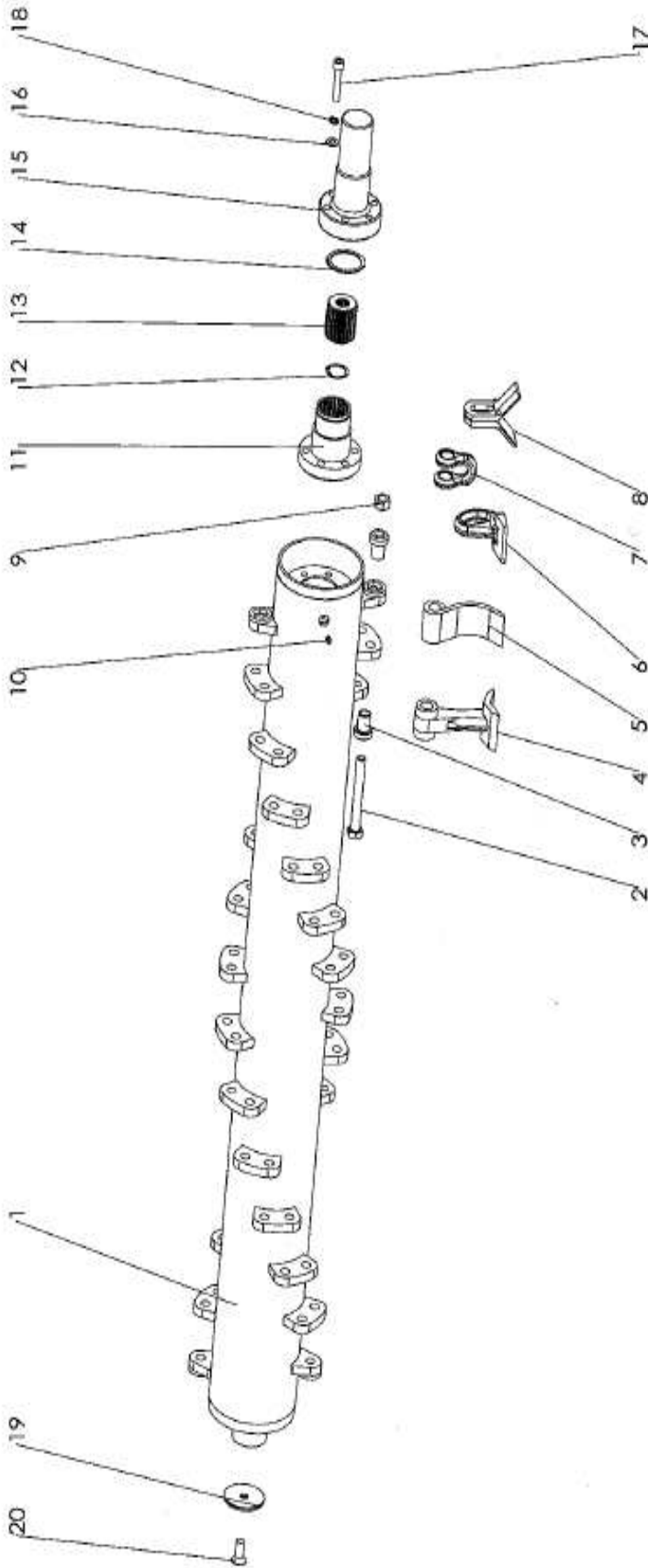
Spearhead 5 Series

BELT DRIVE - MPI HEAD

Ref. No	Part No.	Description
41	4771511	SEAL
42	4770924	PULLEY (150MM)
43	4770922	CLAMP
44	4770925	PULLEY (160MM)
45	4770921	CLAMP
46	2772283	BOLT
47	2770520	BOLT
48	2770396	BOLT
49	1800190	BACK PLATE
50	2770448	BOLT
51	2770536	NUT
	1777939	BELT TENSIONER
52	4771505	SEAL
53	1777920B	HOUSING
54	4770872	BEARING
55	1800281	SHAFT – GEAR MOTOR
56	4600137	SHIM
57	4771607	BEARING
58	2771109	CIRCLIP

Spearhead 5 Series

ROTOR - MPI HEAD



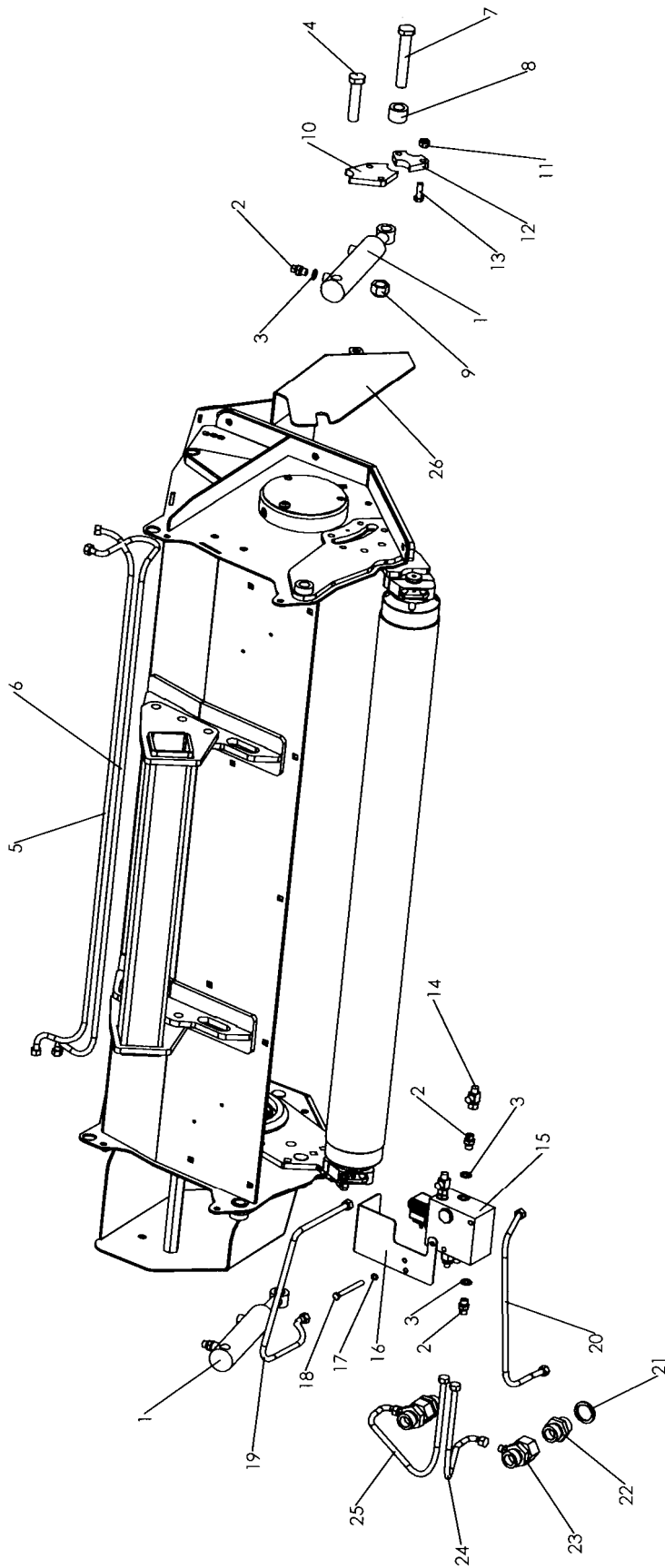
Spearhead 5 Series

ROTOR - MPI HEAD

Ref. No	Part No.	Description
1	1800260	1.2M ROTOR – T FLAIL
	1800261	LH 1.2M ROTOR – C FLAIL
	1800262	RH 1.2M ROTOR – C FLAIL
	1800263	LH 1.2M ROTOR – BOOT FLAIL
	1800264	RH 1.2M ROTOR – BOOT FLAIL
	1800265	1.2M ROTOR – B2B FLAIL
2	2770599	BOLT
3	180489	BUSH
4	7770713	T FLAIL
5	7770699	C FLAIL
6	7770723A	BOOT FLAIL
7	7770722	SHACKLE
8	7770725	BACK 2 BACK
9	05.968.06	NUT
10	2770467	GREASE NIPPLE
11	1777975	DIRECT DRIVE SHAFT
12	N/A	CIRCLIP
13	N/A	ADAPTOR (PISTON MOTOR)
14	2777511	CIRCLIP
15	1771536B	BELT DRIVE SHAFT
16	2770434	WASHER
17	2772293	BOLT
18	2770469	SPRING WASHER
19	1777208	WASHER
20	2770506	SCREW

Spearhead 5 Series

HYDRAULIC ROLLER - MPI HEAD



Spearhead 5 Series

HYDRAULIC ROLLER - MPI HEAD

Ref. No	Part No.	Description
1	3580664	RAM
	3580664W	SEAL KIT
	3580664WH	RAM
		SEAL KIT
2	3360080	ADAPTOR
3	3260070	WASHER
4	2772308	BOLT - BASE END
5	3760405	HOSE
6	3760404	HOSE
7	2772309	BOLT - ROD END
8	1778062	SPACER
9	2770344	LOCKNUT
10	1778058	STOP PLATE - LARGE
11	2770402	LOCKNUT
12	1778059	STOP PLATE - SMALL
13	2770396	BOLT
14	3460100	ADAPTOR
15	3610082	VALVE ASSY
	3610082/1	SOLENOID
	3610030	COIL
	3610048	PLUG
16	1800254	GUARD
17	2770433	SPRING WASHER
18	2772289	BOLT
19	3760403	HOSE
20	3760402	HOSE
21	3260074	WASHER
22	3360092	ADAPTOR
23	3700167	ADAPTOR 1"
24	3760401	HOSE
25	3760400	HOSE
26	180367	RH RAM GUARD
	180366	LH RAM GUARD

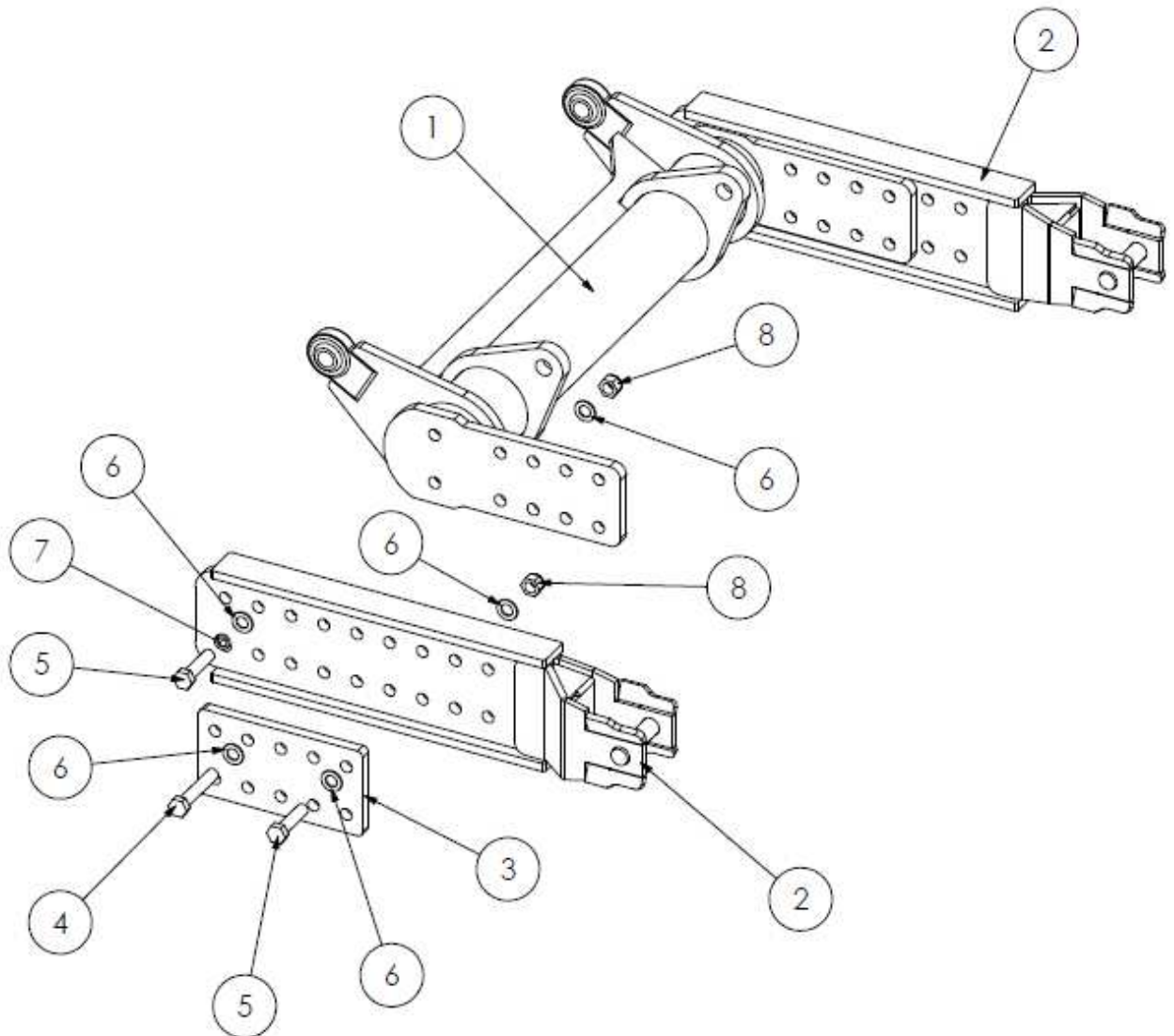
Spearhead 5 Series

HEAD MOTOR

Ref. No	Part No.	Description
1	3151034	MOTOR – 34CC
2	3151008	PORT ELBOW
3	3151011	HUB COUPLING – BELT DRIVE
3A	3151028	DIRECT DRIVE
4	3260074	BONDED SEAL
5	3360092	ADAPTOR
6	3460107	ADAPTOR
7	3260070	BONDED SEAL
8	3250150	ADAPTOR
9	4772226	KEY
10	2770457	WASHER
11	2770350	NUT
12	3610049	ANTI CAVITATION VALVE
13	3261001	O-RING
14	3500001	INNER SHAFT SEAL (NOT SHOWN)
15	3500003	BACK UP WASHER (NOT SHOWN)
16	3500002	OUTER SHAFT SEAL (NOT SHOWN)
17	3610061K	ANTI CAV. SEAL KIT (NOT SHOWN)
18	3151016K	MOTOR SEAL KIT
19	3151019	PAPER GASKET
20	5770044	MOTOR INTERNAL SHAFT

Spearhead 5 Series

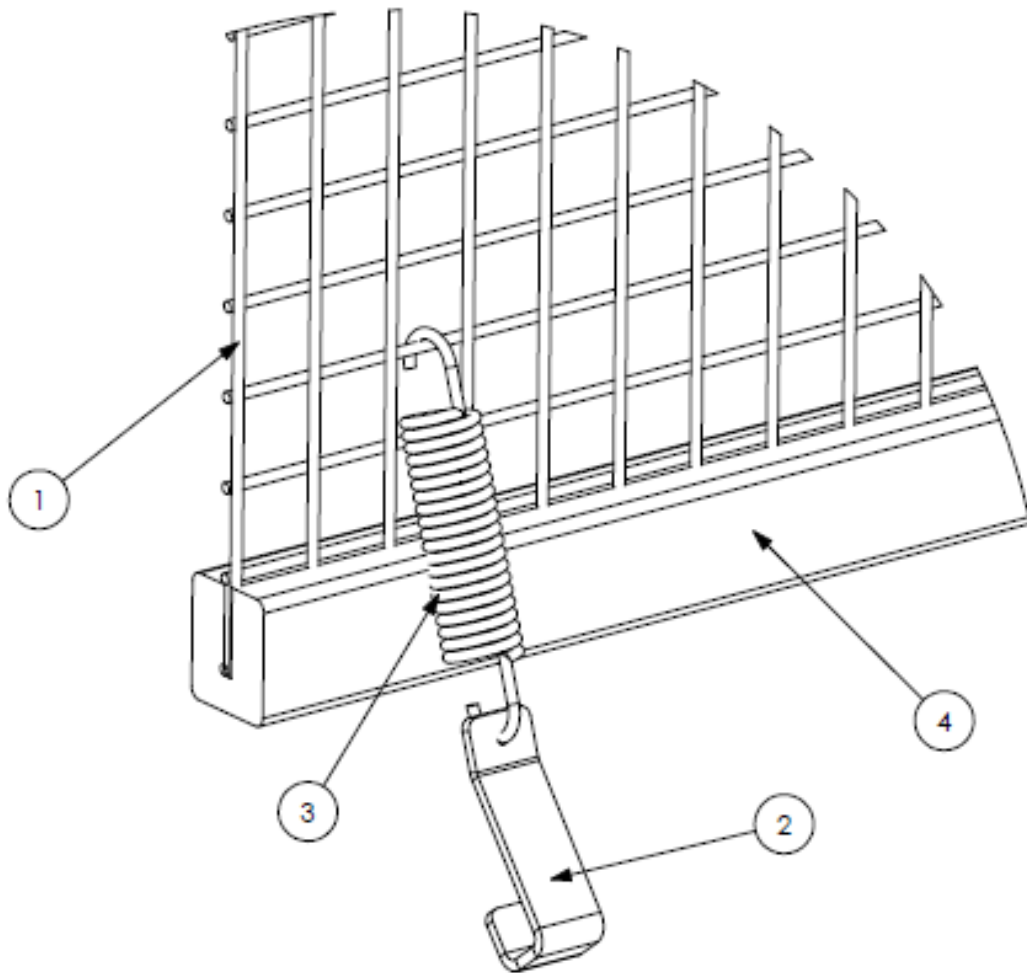
AXLE MOUNT SUB FRAME KIT – OPT0201



REF NO.	PART NO.	QTY.	DESCRIPTION
	OPT0201	1	AXLE MOUNT SUB FRAME KIT
1	1777030A	1	SUB FRAME
2	1777032A	2	ARM
3	1777035	2	BRACE PLATE
4	2770549	16	M20 X 100 BOLT
5	2770550	8	M20 X 80
6	2770517	44	M20 FLAT WASHER
7	05.282.05	4	M20 SPRING WASHER
8	2770409	20	M20 NYLOCK

Spearhead 5 Series

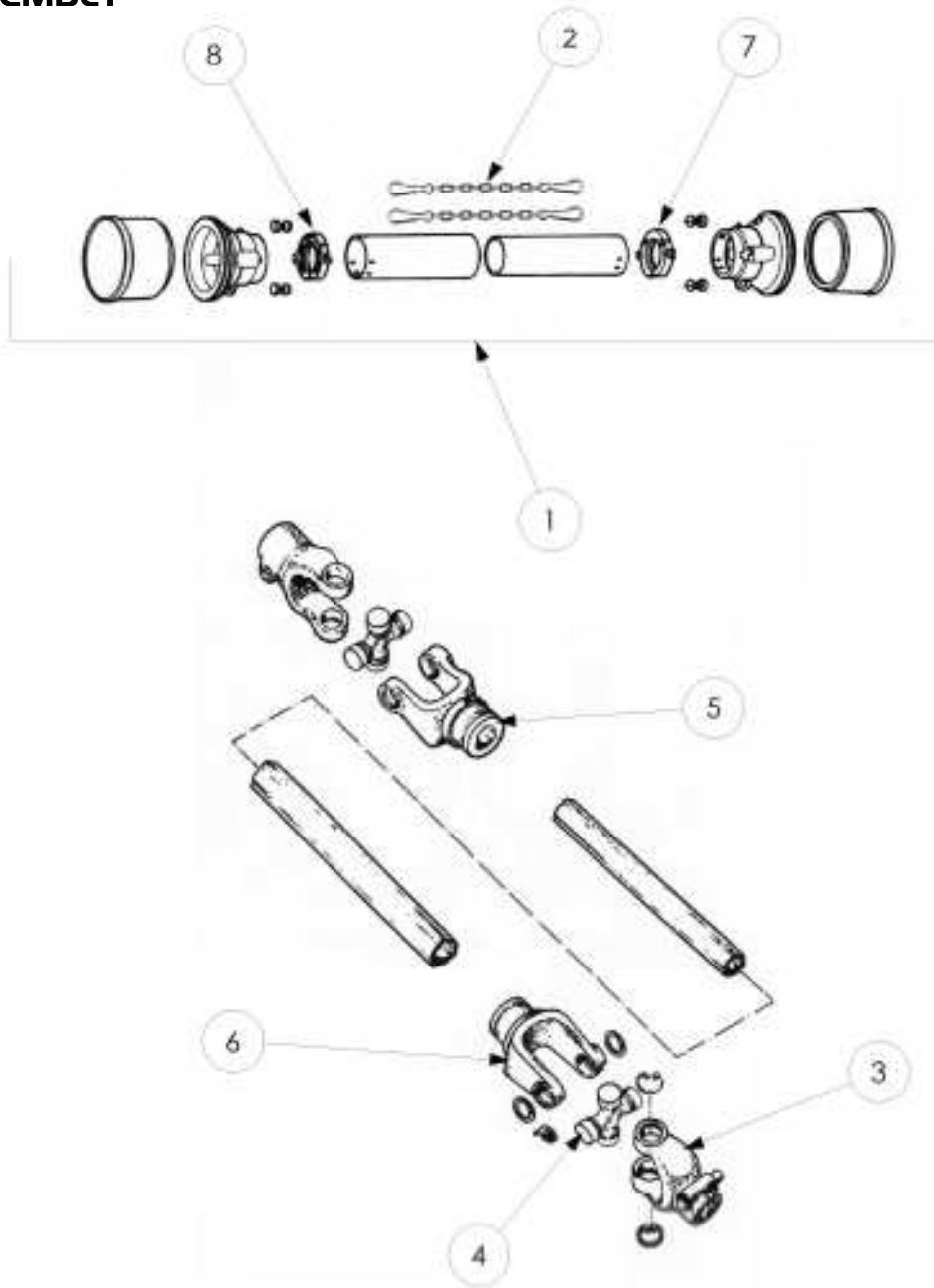
CAB GUARD KIT – S180028.53



REF NO.	PART NO.	QTY.	DESCRIPTION
	OPT0603	1	CAB GUARD KIT
1	1777140	2	MESH PANEL
2	41745.01	10	HOOK
3	6310209	10	SPRING
4	8550134	1	FOAM - 5M

Spearhead 5 Series

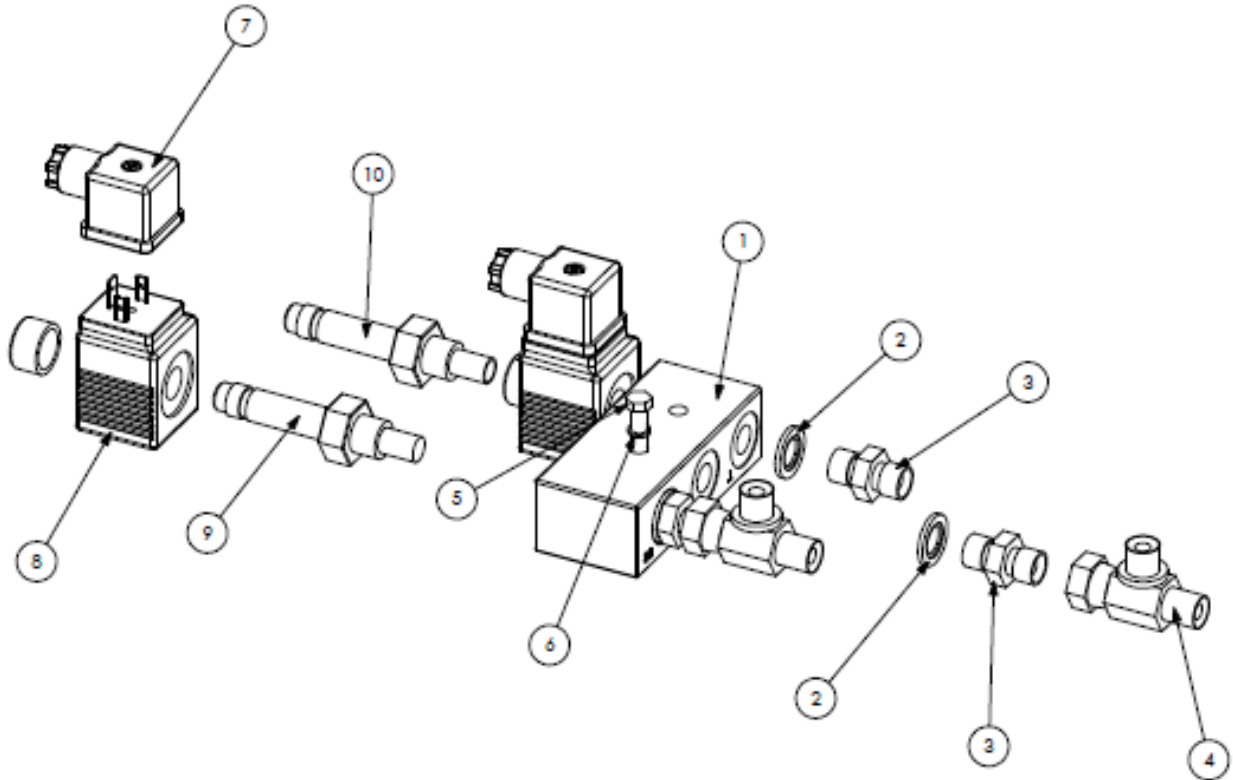
PTO ASSEMBLY



REF NO.	PART NO.	QTY.	DESCRIPTION
	5770084C	1	PTO ASSEMBLY
1	5772263	-	GUARD
2	5771020	-	CHAIN
3	5772240	-	YOKE – 6 SPLINE
3	5772241	-	YOKE – 21 SPLINE
4	5772242	-	CROSS JOURNAL
5	5772244	-	INNER YOKE
6	5772264	-	OUTER YOKE
7	4770814	-	INNER BEARING
8	4770815	-	OUTER BEARING

Spearhead 5 Series

HEAD FLOAT VALVE – S180032.21

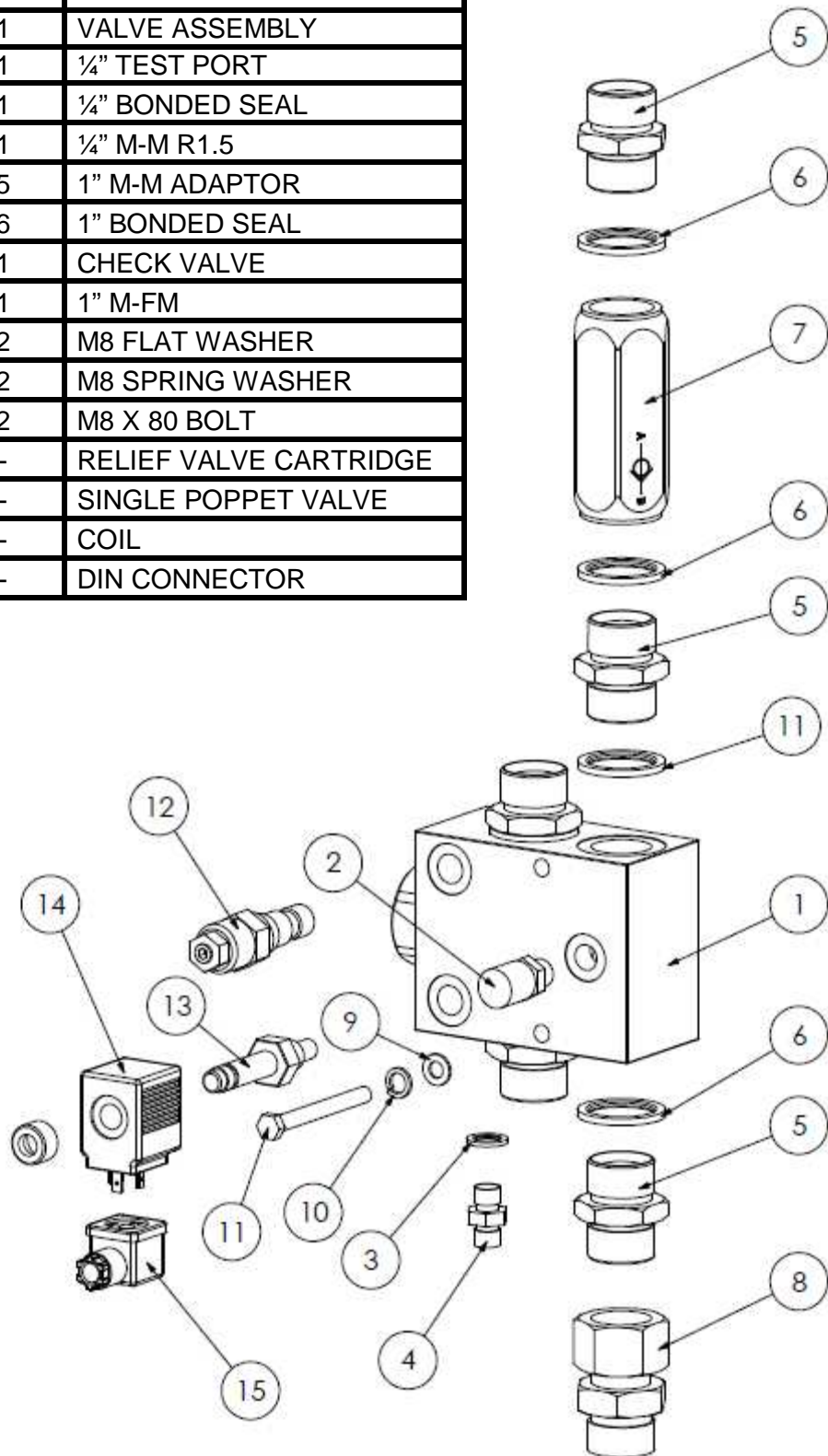


REF NO.	PART NO.	QTY.	DESCRIPTION
1	3600132	1	HEAD FLOAT VALVE
2	3260070	3	1/4" BONDED SEAL
3	3360080	3	1/4" M-M
4	3460300	2	1/4" FM/M/M TEE
5	2770485	2	M6 X 40 BOLT
6	05.282.07	2	M6 SPRING WASHER
7	3610048	-	DIN CONNECTOR
8	3610030A	-	COIL
9	3610032A	-	DOUBLE VALVE
10	3600142	-	SINGLE VALVE

Spearhead 5 Series

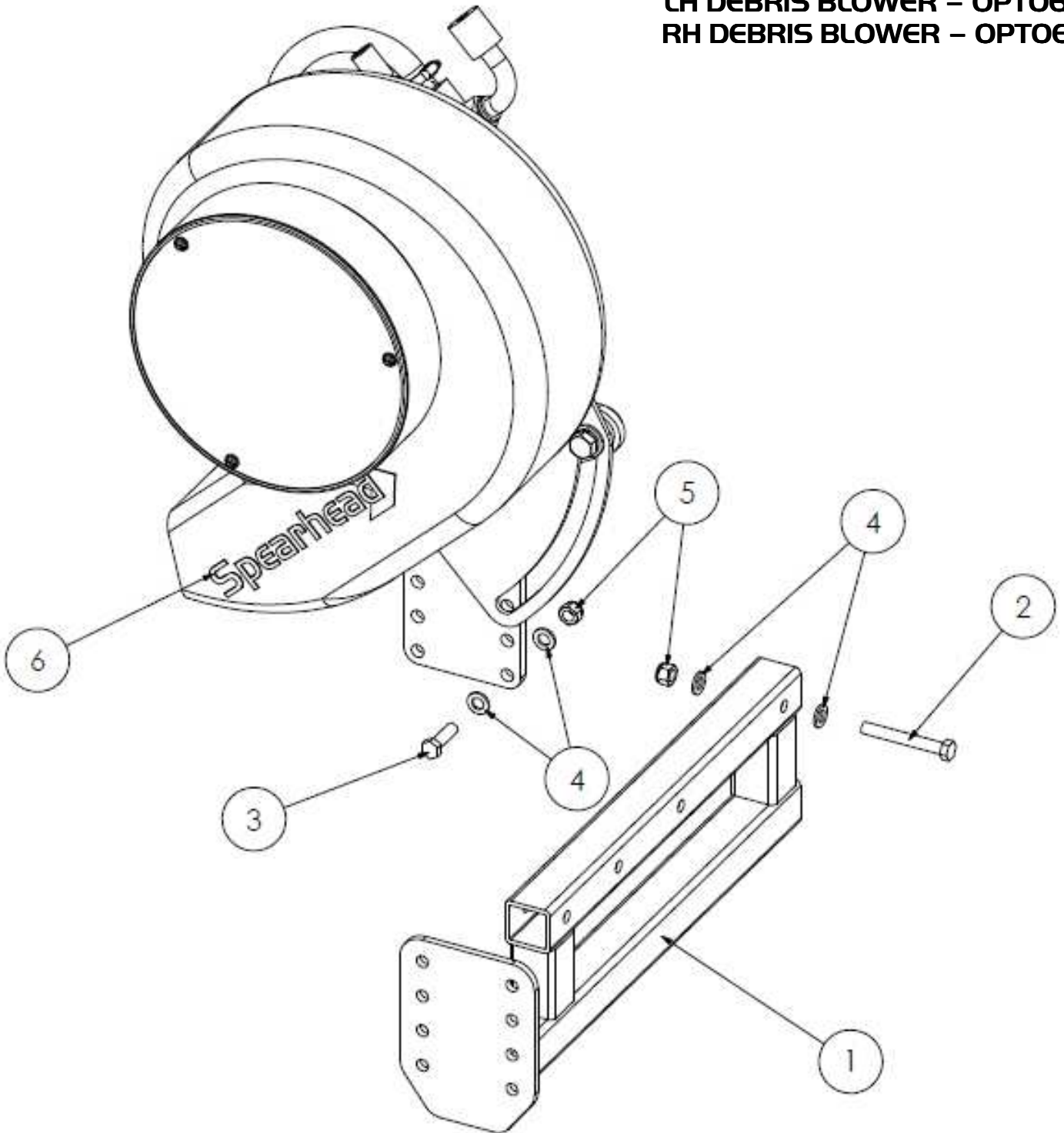
ROTOR VALVE – S180028.43

REF NO.	PART NO.	QTY.	DESCRIPTION
1	3600099A	1	VALVE ASSEMBLY
2	3360110	1	¼" TEST PORT
3	3260070	1	¼" BONDED SEAL
4	3360100	1	¼" M-M R1.5
5	3260074	5	1" M-M ADAPTOR
6	3360092	6	1" BONDED SEAL
7	3600089	1	CHECK VALVE
8	3360093	1	1" M-FM
9	2770432	2	M8 FLAT WASHER
10	2770433	2	M8 SPRING WASHER
11	2772289	2	M8 X 80 BOLT
12	3600144A	-	RELIEF VALVE CARTRIDGE
13	3600142B	-	SINGLE POPPET VALVE
14	3610052	-	COIL
15	3610048	-	DIN CONNECTOR



Spearhead 5 Series

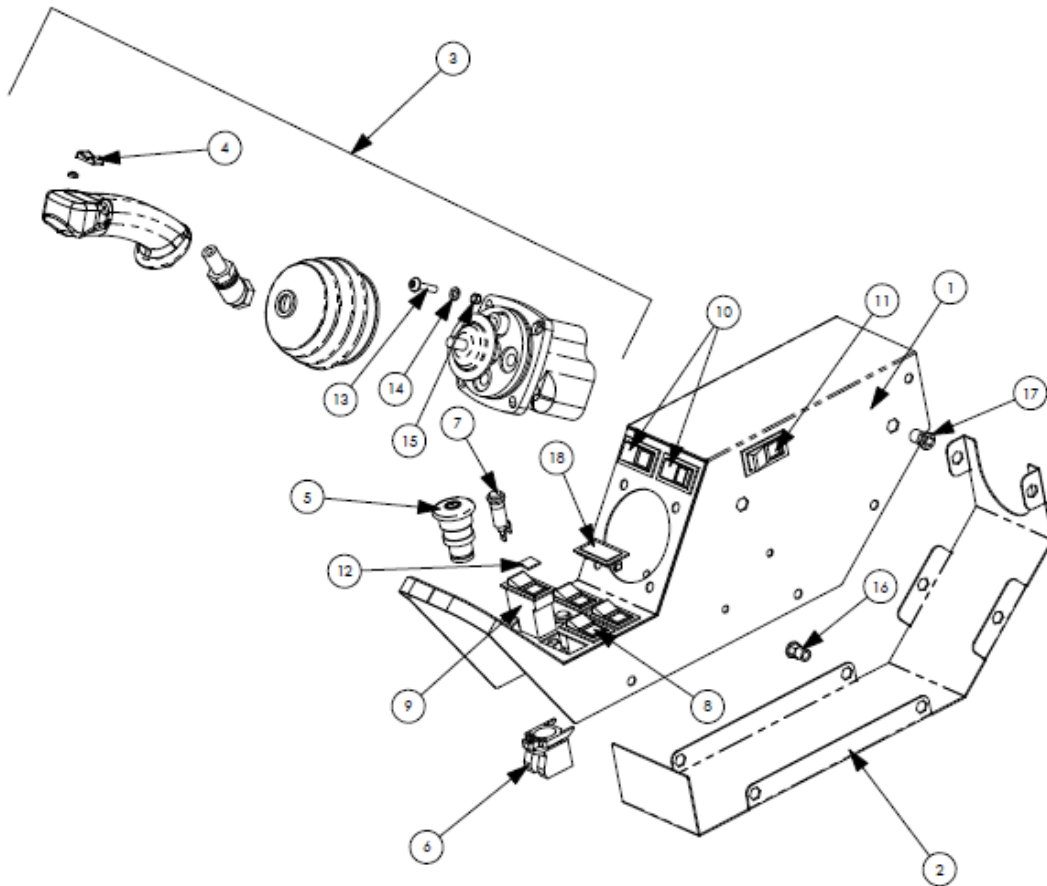
LH DEBRIS BLOWER – OPT0686
RH DEBRIS BLOWER – OPT0657



REF NO.	PART NO.	QTY.	DESCRIPTION
1	180904	1	BRACKET
2	2770471	3	M12 X 100 BOLT
3	2770443	4	M12 X 40
4	2770436	14	M12 FLAT WASHER
5	2770417	7	M12 NYLOCK
6	8770688	1	DECAL

Spearhead 5 Series

HYDRAULIC PROPORTIONAL CONTROLS – SI80009.04



REF NO.	PART NO.	QTY.	DESCRIPTION
1	1777028A	1	CONTROL BOX
2	1777033	1	CONTROL BOX COVER
3	3910229	1	JOYSTICK ASSEMBLY
4	3910222	-	SWITCH
5	8400167	1	ROTOR KNOB
6	8400166	1	ROTOR SWITCH
7	8400168	1	ROTOR LIGHT
8	8400035	1	ON/ON/OFF SWITCH
9	3910276	3	ON/OFF SWITCH
10	8400160	1	ON/OFF/ON SWITCH
11	8400106	1	ON/OFF LOCK SWITCH
12	8400163B	2	BLANK INSERT
12	8400163G	1	GREEN INSERT
12	8400163Y	1	YELLOW INSERT
12	8400163R	1	RED INSERT
13	2770336	4	M6 X 25 SKT CAP SCREW
14	2771408	4	M6 FLAT WASHER
15	2770373	4	M6 NYLOCK
16	2770201	8	M8 RIVNUT
17	2770202	4	M10 RIVNUT
18	5771634	1	FOAM PAD

Spearhead 5 Series

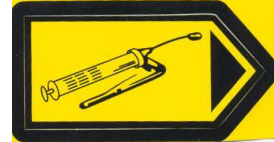
DECALS



8770307



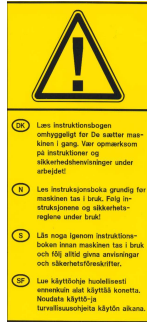
8770305



8770322



8770363



8770367



8770306



8770358



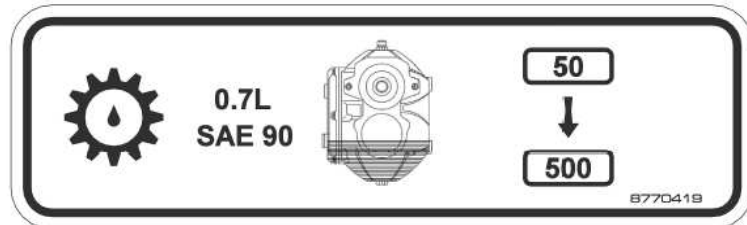
8770362



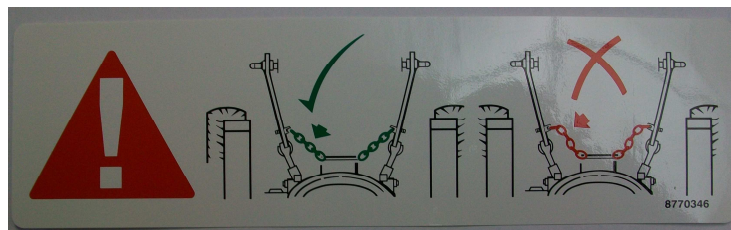
8770359



09.846.02



8770419

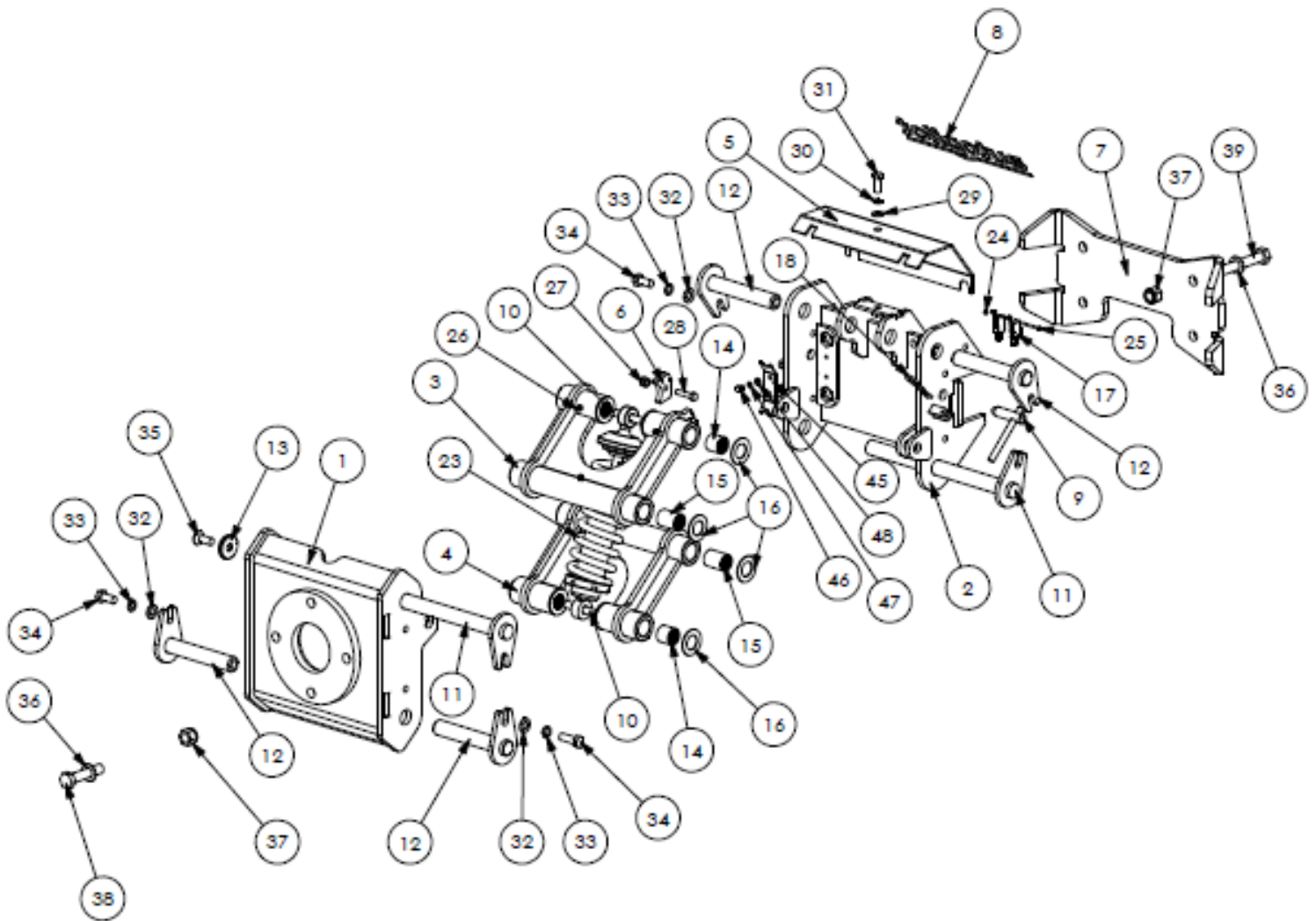


8770346

REF NO.	PART NO.	QTY.	DESCRIPTION
1	8770375	2	EXCEL
2	8770376	2	TWIGA
3	8770379	2	565
4	8770662	2	605
5	8770663	2	645T
6	8770371	1	SPEARHEAD - TANK
7	8770374	1	SPEARHEAD - ARM

Spearhead 5 Series

AUTOPILOT – SI80032.55



REF NO.	PART NO.	QTY.	DESCRIPTION
1	1777816A	1	BACK PLATE
2	1777817A	1	FRONT PLATE
3	1777818A	1	FLOAT LINK + CAM
4	1777818B	1	FLOAT LINK
5	1777748A	1	CAM GUARD
6	1777848A	1	CAM
7	1777325B	1	CLAMP PLATE
8	8770696	1	DECAL
9	1777749	2	LOCKING PIN
10	1777822	2	PIN
11	1777941	2	PEAR PIN: 25.4 X 310 mm
12	1777942	4	PEAR PIN: 25.4 X 145 mm

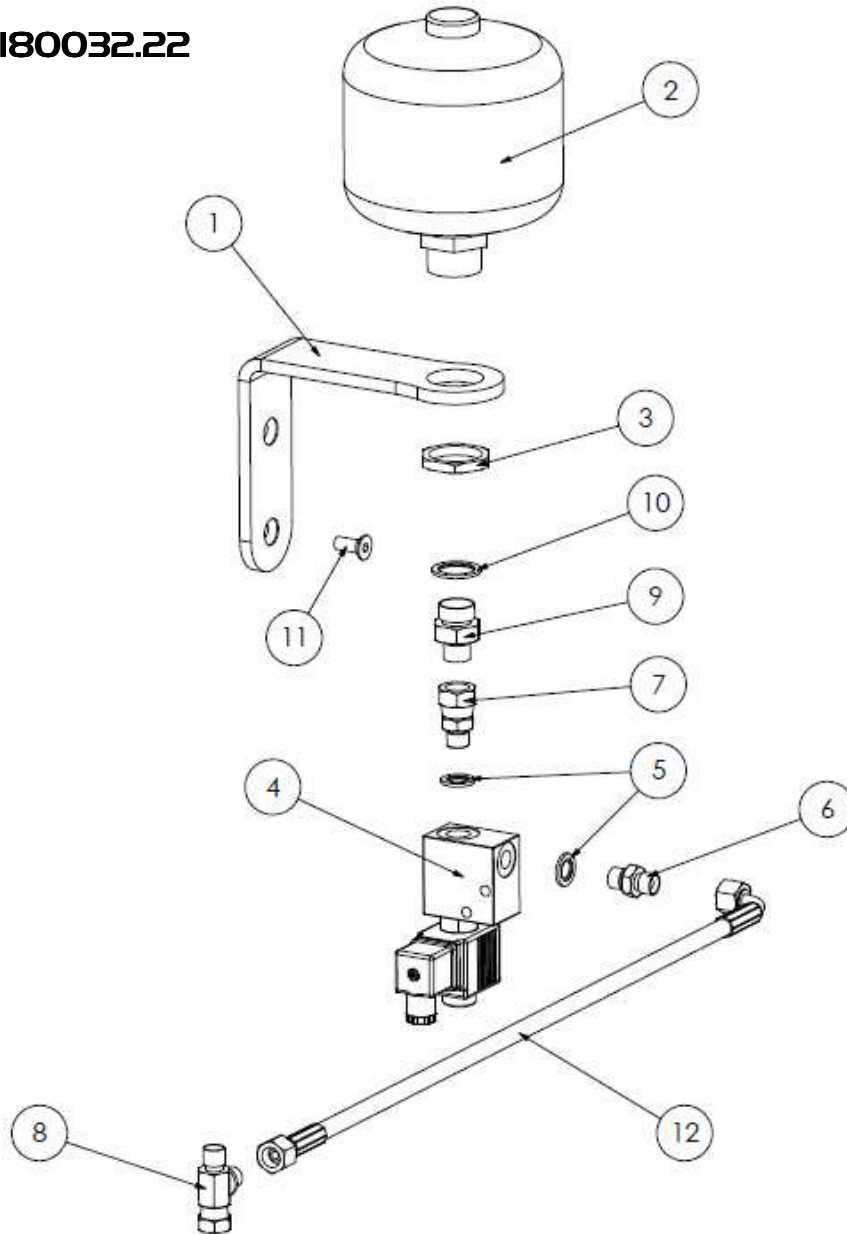
Spearhead 5 Series

AUTOPILOT – SI80032.55

REF NO.	PART NO.	QTY.	DESCRIPTION
13	1777209	2	RETAINING WASHER - 40mm
14	4600417	8	BUSH - SHORT
15	4600418	4	BUSH - LONG
16	4600419	8	THRUST WASHER
17	3910275	2	SWITCH
18	6310194	2	R CLIP
19	8770600	1	SHOCK ABSORBER
20	8770600/1	0	TOP COLLET
21	8770600/2	0	THREADED COLLET
22	8770600/3	0	SPHERICAL BEARING
23	8770601	1	SPRING
24	2770233	4	M3 FULL NUT
25	2770237	2	M3 X 35 BOLT
26	2770467	6	M6 ST GREASE NIPPLE
27	2770416	1	M8 NYLOCK
28	2770488	1	M8 X 35 BOLT
29	2770434	1	M10 FLAT WASHER
30	2770469	1	M10 SPRING WASHER
31	2770407	1	M10 X 25 BOLT
32	2770436	6	M12 FLAT WASHER
33	2770442	6	M12 SPRING WASHER
34	2770484	6	M12 X 25 BOLT
35	2770506	2	M12 X 30 SKT CSK SCREW
36	2770454	8	M16 FLAT WASHER
37	2770447	8	M16 NYLOCK
38	05.291.39	4	M16 X 70 BOLT
39	2770346	4	M16 X 140 BOLT
40	8770655	1	AUTOPILOT LOOM
41	3760123	1	HOSE: 1/4" X 430mm
42	3460101	1	1/4" M/M/FM TEE
43	3760456	1	HOSE: 1/4" X 210mm
44	3760457	1	HOSE: 1/4" X 410mm
45	180223	2	NUT KEEPER PLATE
46	2770385	4	M6 X 10 BOLT
47	2771408	4	M6 FLAT WASHER
48	05.282.07	4	M6 SPRING WASHER

Spearhead 5 Series

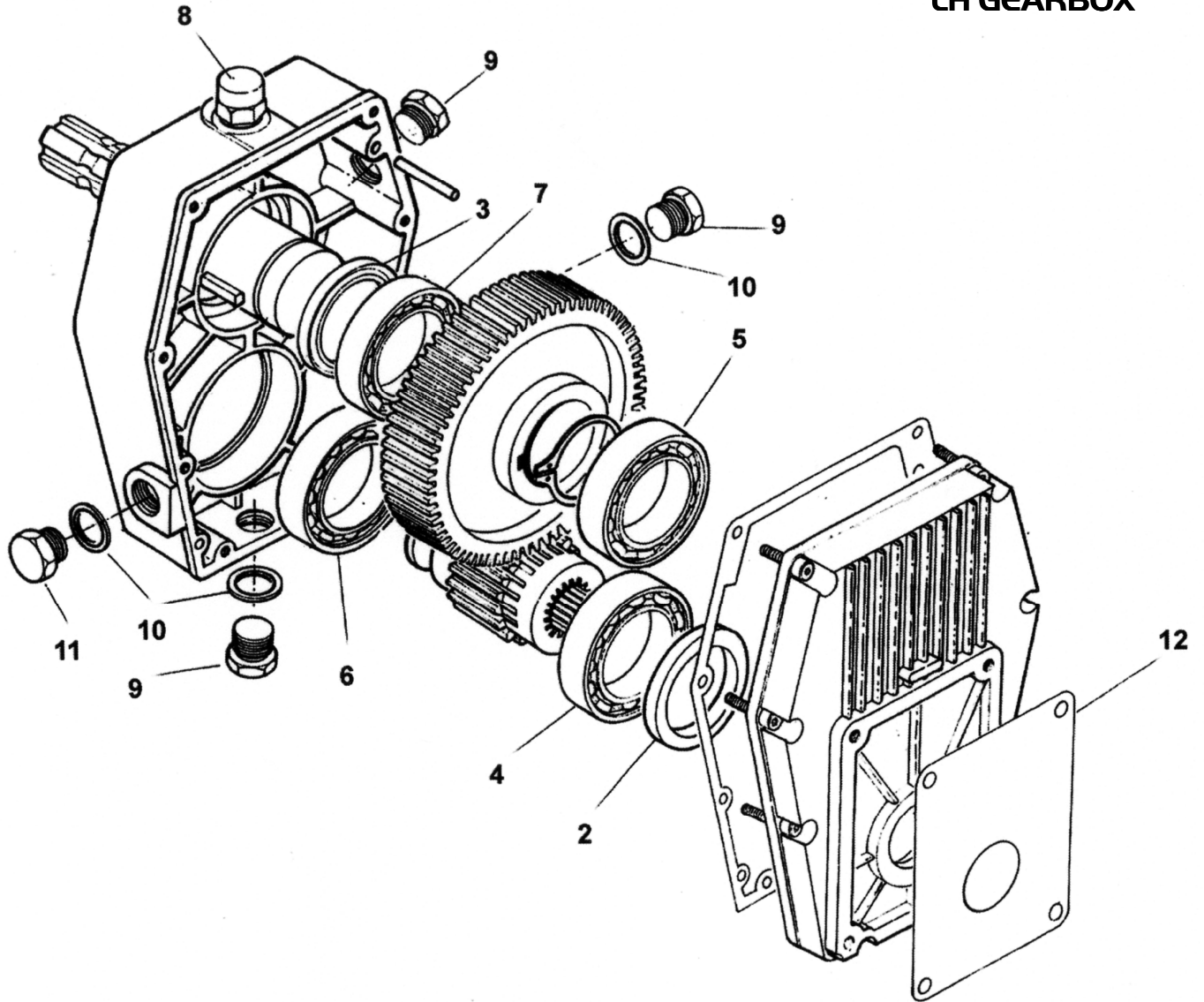
ARM FLOAT - S180032.22



REF NO.	PART NO.	QTY.	DESCRIPTION
1	180917	1	BRACKET
2	3900071	1	ACCUMULATOR BOTTLE - 32 Bar
3	8126035	1	M33 NUT
4	3610053	1	ELECTRONIC VALVE
-	3610052	-	COIL
5	3260070	2	1/4" BONDED SEAL
6	3360080	1	1/4" M-M
7	3360079	1	1/4"-3/8" M-FM SW
8	3460300	1	1/4" FM/M/M TEE
9	G2410380	1	3/8"-M22 M-M
10	8650322	1	M22 BONDED SEAL
11	2770435	2	M8 X 20 CSK SCREW
12	3760129	1	HOSE
13	3610048	-	DIN PLUG

Spearhead 5 Series

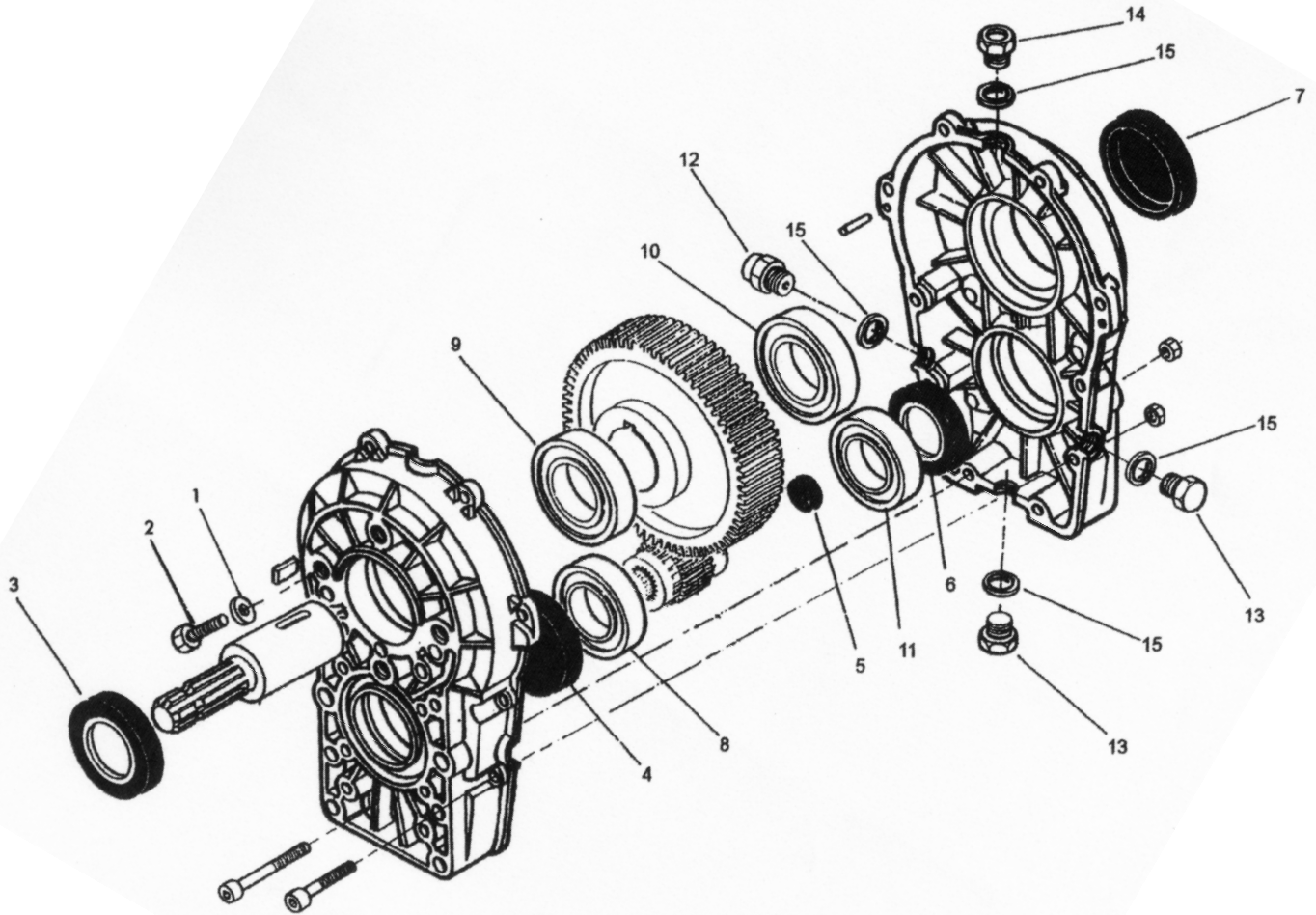
LH GEARBOX



Ref. No	Part No.	Description
	3151020	GEARBOX ASSEMBLY
2	5771601	OIL SEAL
3	5771602	OIL SEAL
4	NOT AVAILABLE	BEARING
5	NOT AVAILABLE	BEARING
6	NOT AVAILABLE	BEARING
7	NOT AVAILABLE	BEARING
8	5771607	BREATHER
9	5771608	PLUG
10	5771609	WASHER
11	5771610	GAUGE
12	3151019	GASKET

Spearhead 5 Series

RH GEARBOX



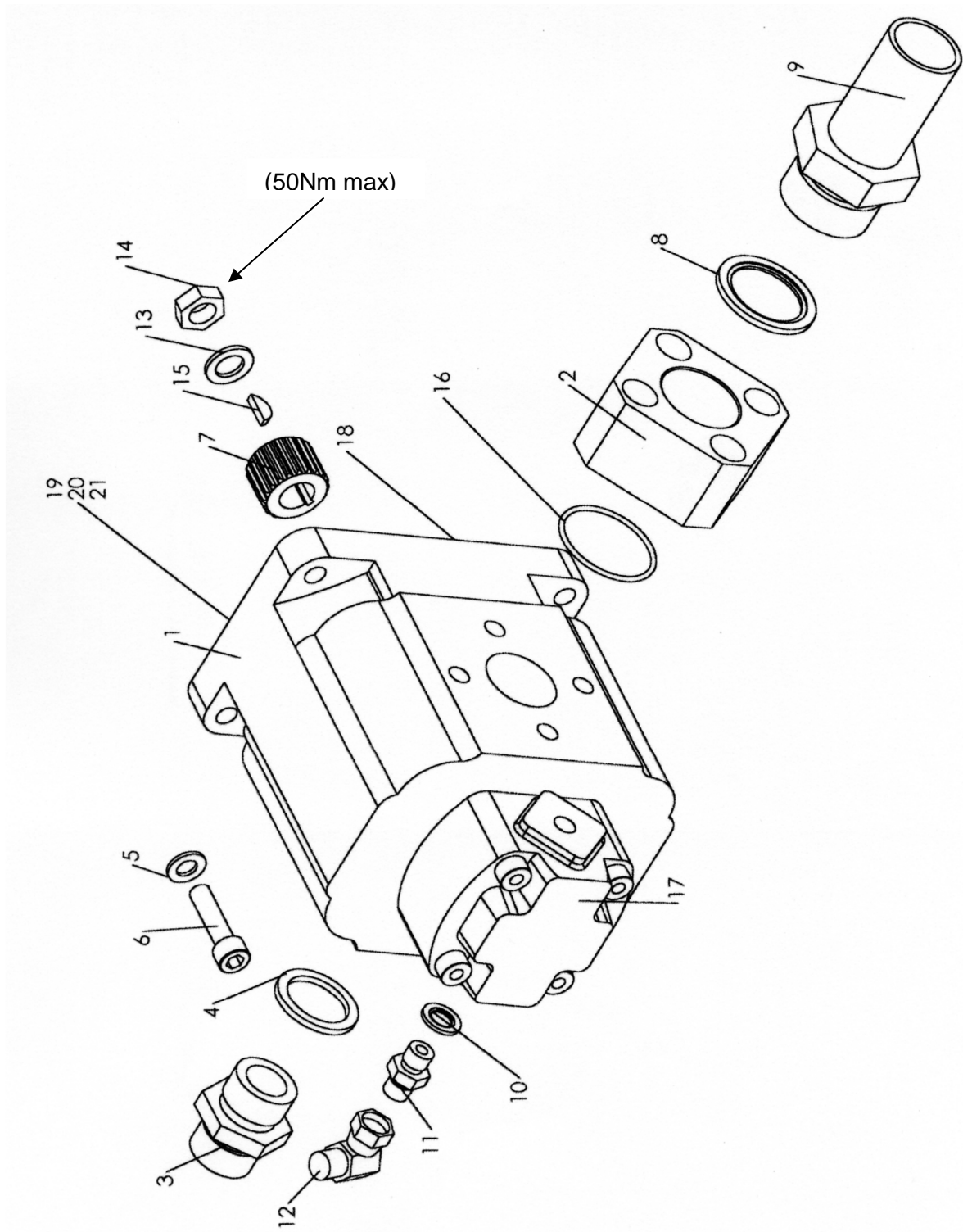
Spearhead 5 Series

RH GEARBOX

Ref. No	Part No.	Description
	3151026	GEARBOX ASSEMBLY
1	2770436	WASHER
2	2770535	BOLT
3	5771620	OIL SEAL
4	5771624	OIL SEAL
5	5771622	OIL SEAL
6	5771623	OIL SEAL
7	5771624	OIL SEAL
8	NOT AVAILABLE	BEARING
9	NOT AVAILABLE	BEARING
10	NOT AVAILABLE	BEARING
11	NOT AVAILABLE	BEARING
12	5771607	BREATHER
13	5771608	PLUG
14	5771610	GAUGE
15	5771609	WASHER

Spearhead 5 Series

TANDEM PUMP



Spearhead 5 Series

TANDEM PUMP

Ref. No	Part No.	Description
1	3151033A	TANDEM PUMP
2	3761012	STRAIGHT FLANGE
3	3360092	ADAPTOR
4	3260074	BONDED SEAL
5	2770434	FLAT WASHER
6	2772284	BOLT
7	3151011	HUB COUPLING
8	3260075	BONDED SEAL
9	3761000	MALE INSERT
10	3260070	BONDED SEAL
11	3360080	ADAPTOR
12	3460107	ADAPTOR
13	2770457	WASHER
14	2770350	NUT
15	4772226	KEY
16	3261006	O-RING
17	3151043	SERVICE PUMP
18	3151021K	TANDEM SEAL KIT
19	3500002	SHAFT SEAL
20	3151019	GASKET

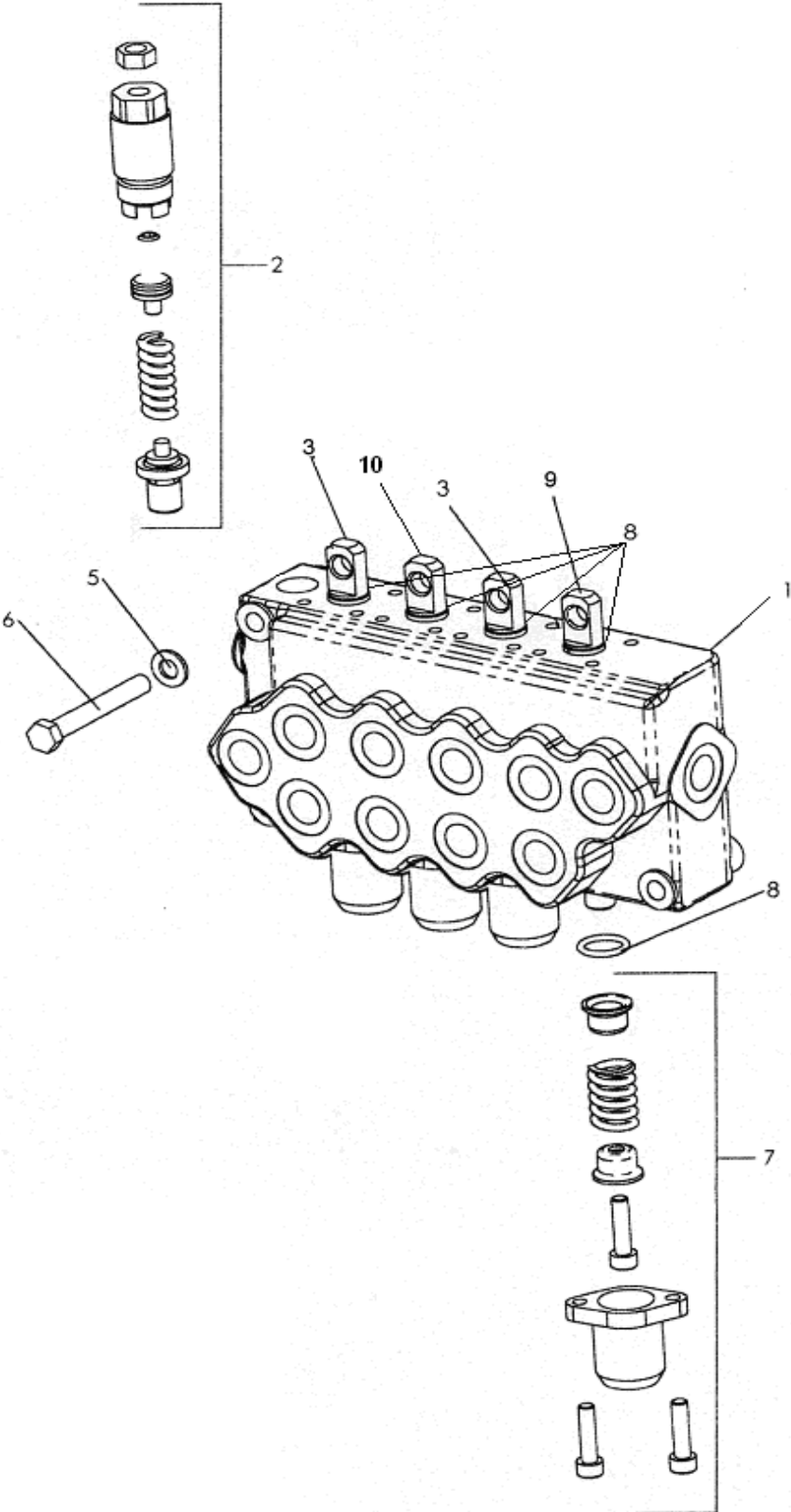
Spearhead 5 Series

CABLE CONTROLS

Ref. No	Part No.	Description
1	3910311	ASSEMBLY – INCLUDES NO'S 1, 2, 5, 6, 7, 9, 10, 15, 16
	3910318	CABLE - 3M
2	3910308	CABLE – 3.5M
	3910307	CABLE 4M
	3910306	CABLE 4.5M
3	3910310	ASSEMBLY – ROTOR INC. NO'S 3, 4, 5, 6, 8, 9, 10, 15, 16
4	3910320	3M MOTOR CABLE
5	N/A	RUBBER
6	3910316	LEVER
7	N/A	GUARD / COVER
8	N/A	GUARD / COVER
9	3910319	VALVE/CABLE CONNECTOR
	3910313	MOTOR/CABLE CONNECTOR
10	2770449	NUT
11	2770243	BOLT
12	3910322	PIN
13	N/A	BOLT
14	3910321	PIN
15	2770252	BOLT
16	N/A	NUT
17	2770576	BOLT
18	2770373	NUT
19	2771408	WASHER
20	2770484	BOLT
21	2770417	NUT
22	2770436	WASHER
23	1777073	BRACKET

Spearhead 5 Series

CONTROL VALVE - CABLE



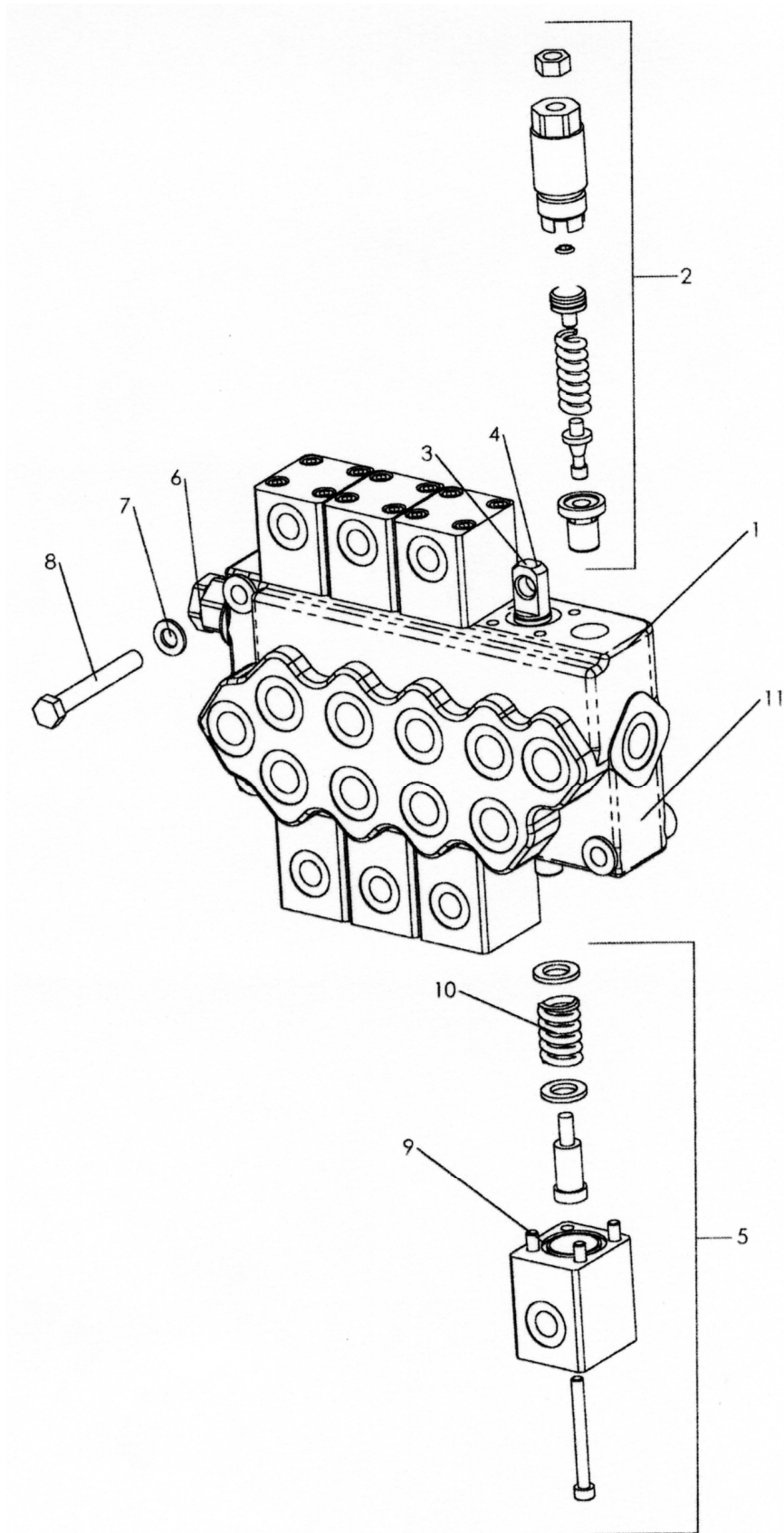
Spearhead 5 Series

CONTROL VALVE - CABLE

Ref. No	Part No.	Description
1	3600105	VALVE BODY ASSEMBLY
2	3600093	RELIEF VALVE CARTRIDGE
3	3610096	DA SPOOL
5	2770432	FLAT WASHER
6	2770430	BOLT
7	3610000	SPRING KIT – CABLE
8	3261000	O - RING
9	3610001	FLOAT SPOOL
10	3610098	SA SPOOL

Spearhead 5 Series

CONTROL VALVE - HYD. PROPORTIONAL



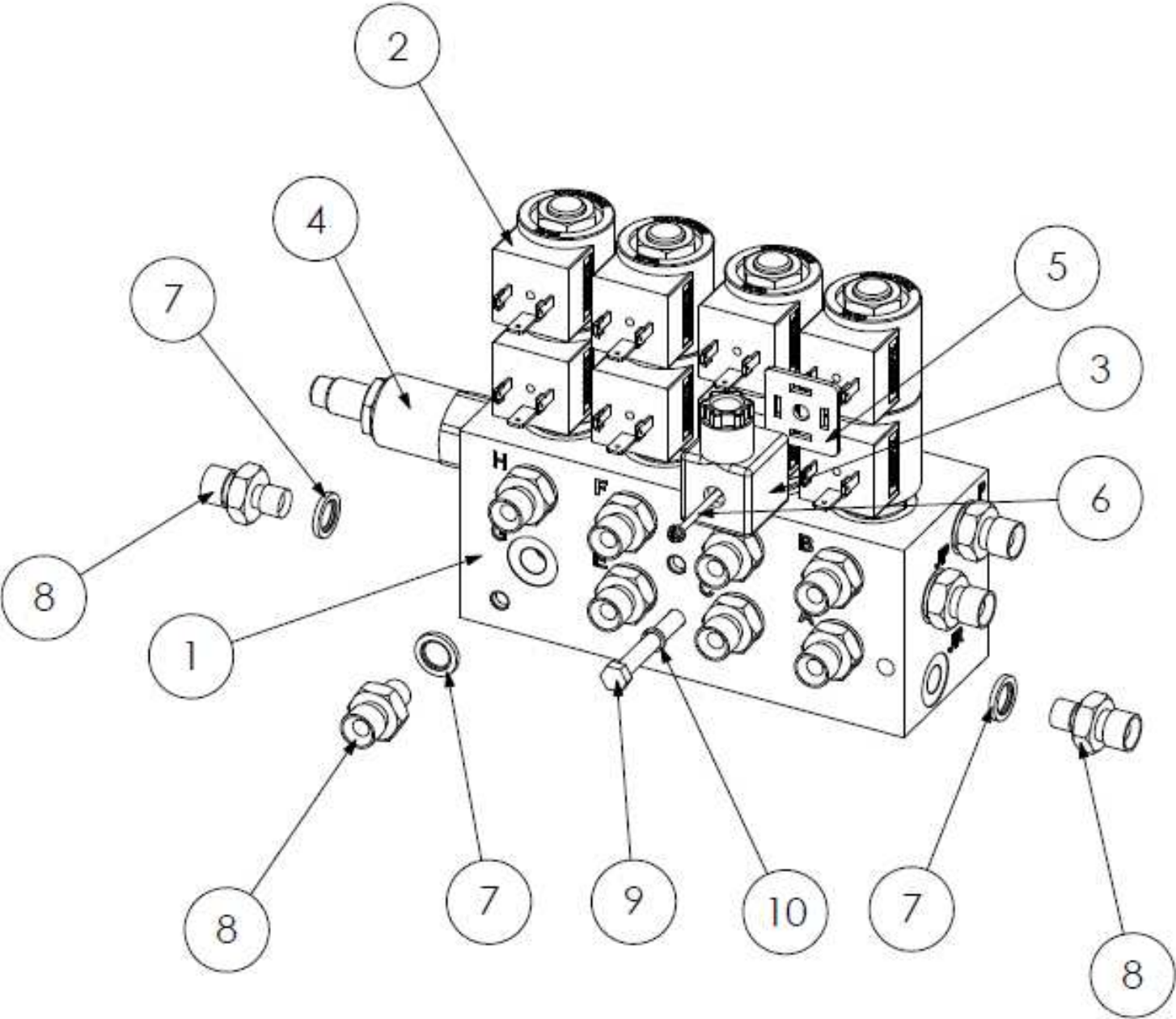
Spearhead 5 Series

CONTROL VALVE - HYD. PROPORTIONAL

Ref. No	Part No.	Description
1	3910291	VALVE ASSEMBLY – (AUTO PILOT)
	3910295	VALVE ASSEMBLY – (STANDARD)
2	3600093	RELIEF VALVE CARTRIDGE
3	3610096	DOUBLE ACTING SPOOL
4	3610098	SINGLE ACTING SPOOL
5	3610003	HYDRAULIC PROP KIT
6	5770300	CARTRIDGE
7	2770432	FLAT WASHER
8	2770430	BOLT
9	3261005	O – RING
10	3610003S	SPRING
11	3261003	SEAL KIT

Spearhead 5 Series

PILOT VALVE



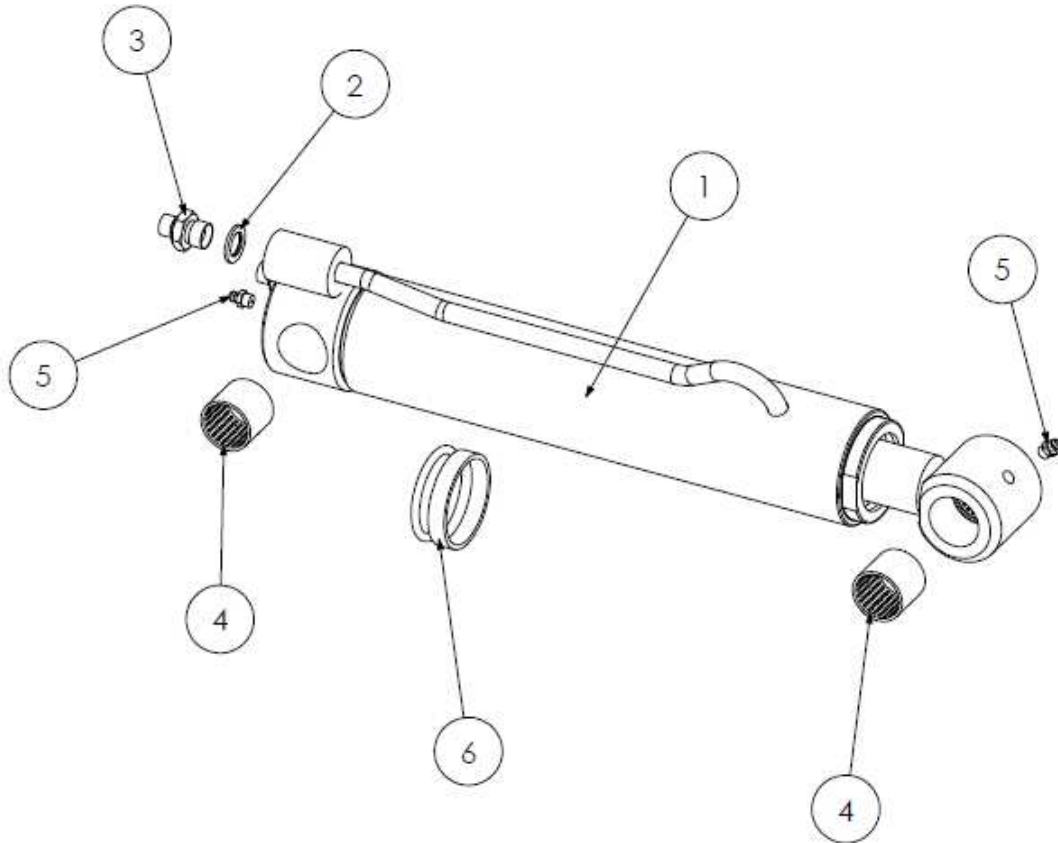
Spearhead 5 Series

PILOT VALVE

REF NO.	PART NO.	QTY. 2	QTY. 3	QTY. 4	DESCRIPTION
1	3610102	1	-	-	2 BANK VALVE ASSEMBLY
1	3610103	-	1	-	3 BANK VALVE ASSEMBLY
1	3610104	-	-	1	4 BANK VALVE ASSEMBLY
2	22677.36	4	6	8	COIL
3	3610048	4	6	8	CONNECTOR
4	3610102.02	1	1	1	PRESSURE RELIEF CARTRIDGE
5	07.835.02	4	6	8	GASKET
6	07.835.03	4	6	8	SCREW
7	3260069	8	10	12	1/8" BONDED SEAL
8	3250150	8	10	12	1/8" M - 1/4" M ADAPOR
9	30.068.93	2	2	2	M6 X 70 BOLT
10	05.282.07	2	2	2	M6 SPRING WASHER

Spearhead 5 Series

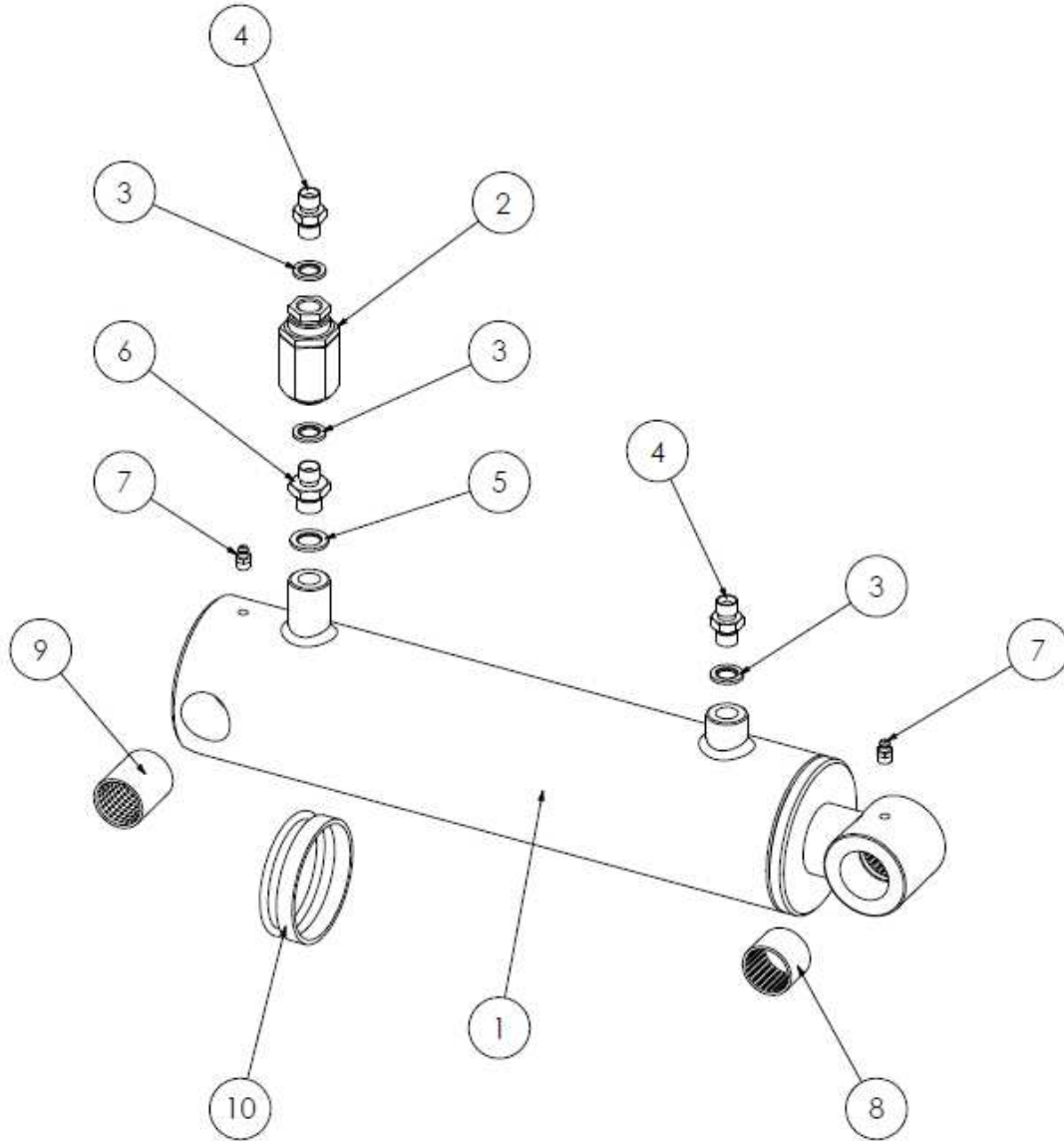
FORWARD REACH RAM – S180032.25



REF NO.	PART NO.	QTY.	DESCRIPTION
1	3580691	1	FORWARD REACH RAM
2	3260071	2	3/8" BONDED SEAL
3	3360083	2	3/8" M - 1/4" M ADAPTOR
4	42654.01	4	BUSH
5	01.070.04	2	1/8" GREASE NIPPLE
6	42664.08	1	SEAL KIT

Spearhead 5 Series

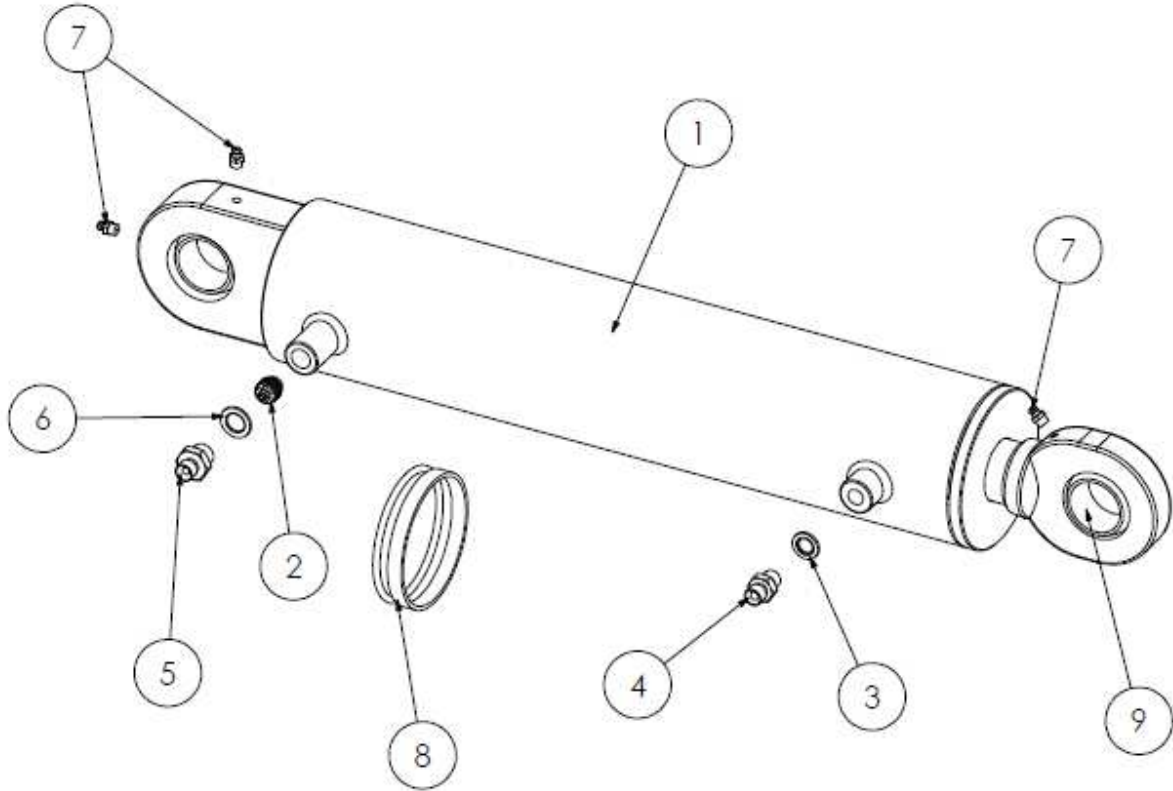
SLEW RAM – S180032.26



REF NO.	PART NO.	QTY.	DESCRIPTION
1	3580632	1	SLEW RAM
2	3900010	1	VARIABLE RESTRICTOR
3	3260070	3	1/4" BONDED SEAL
4	3360080	2	1/4" M-M ADAPTOR
5	3260071	1	3/8" BONDED SEAL
6	3360083	1	3/8" M - 1/4" M ADAPTOR
7	01.070.04	2	1/8 ST GREASE NIPPLE
8	4600412	2	BUSH
9	4600414	2	BUSH
10	3580667HP	1	SEAL KIT

Spearhead 5 Series

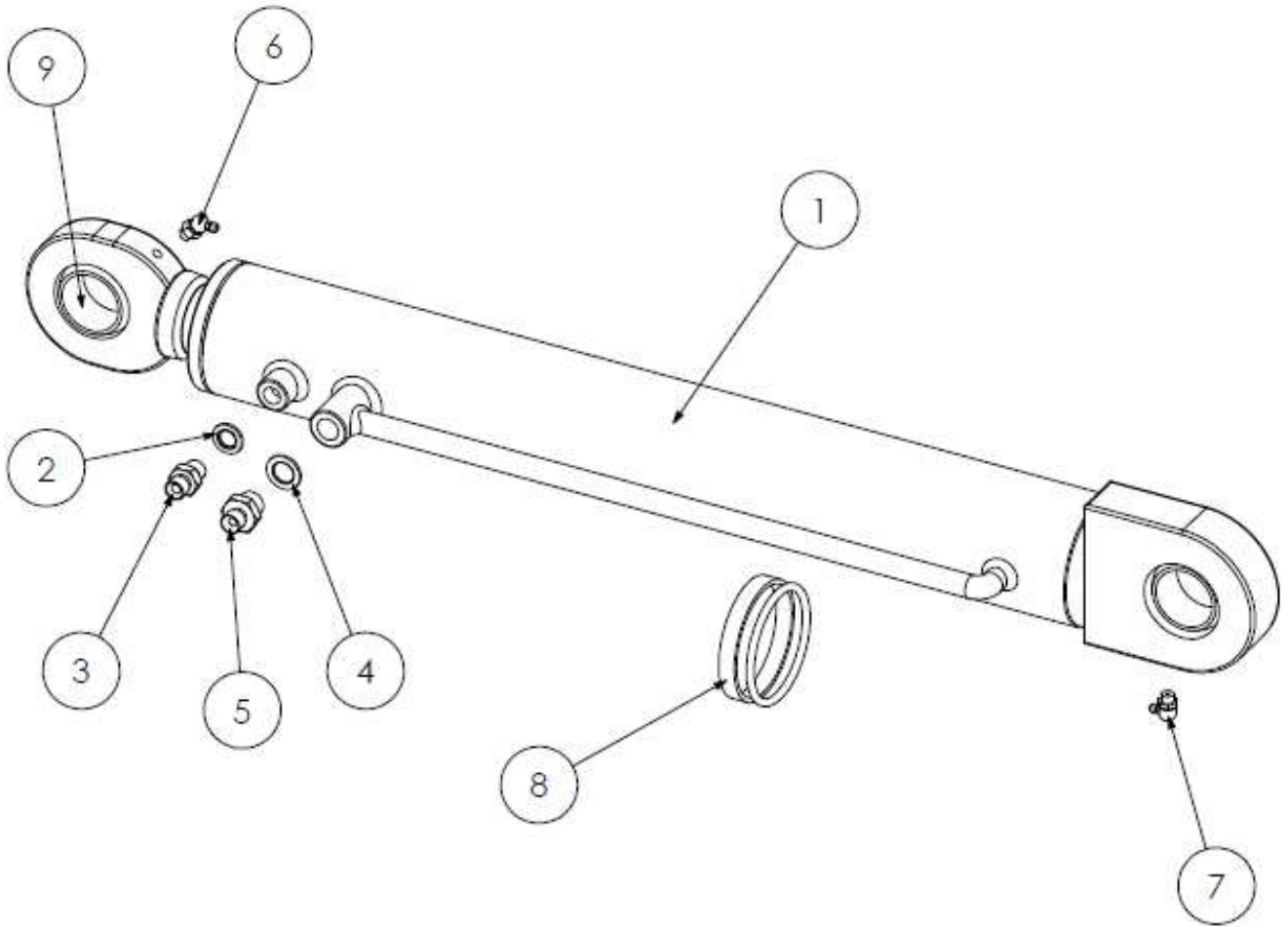
LIFT RAM – S180032.27



REF NO.	PART NO.	QTY.	DESCRIPTION
1	3580660B	1	LIFT RAM
2	3600118	1	HOSE BURST
3	3260070	1	1/4" BONDED SEAL
4	3360080	1	1/4" M-M ADAPTOR
5	3360083	1	3/8" M - 1/4" M ADAPTOR
6	3260071	1	3/8" BONDED SEAL
7	01.070.01	3	1/8 ST GREASE NIPPLE
8	3570668HP	1	SEAL KIT
9	3580660B.01	1	WELD ON BALL END

Spearhead 5 Series

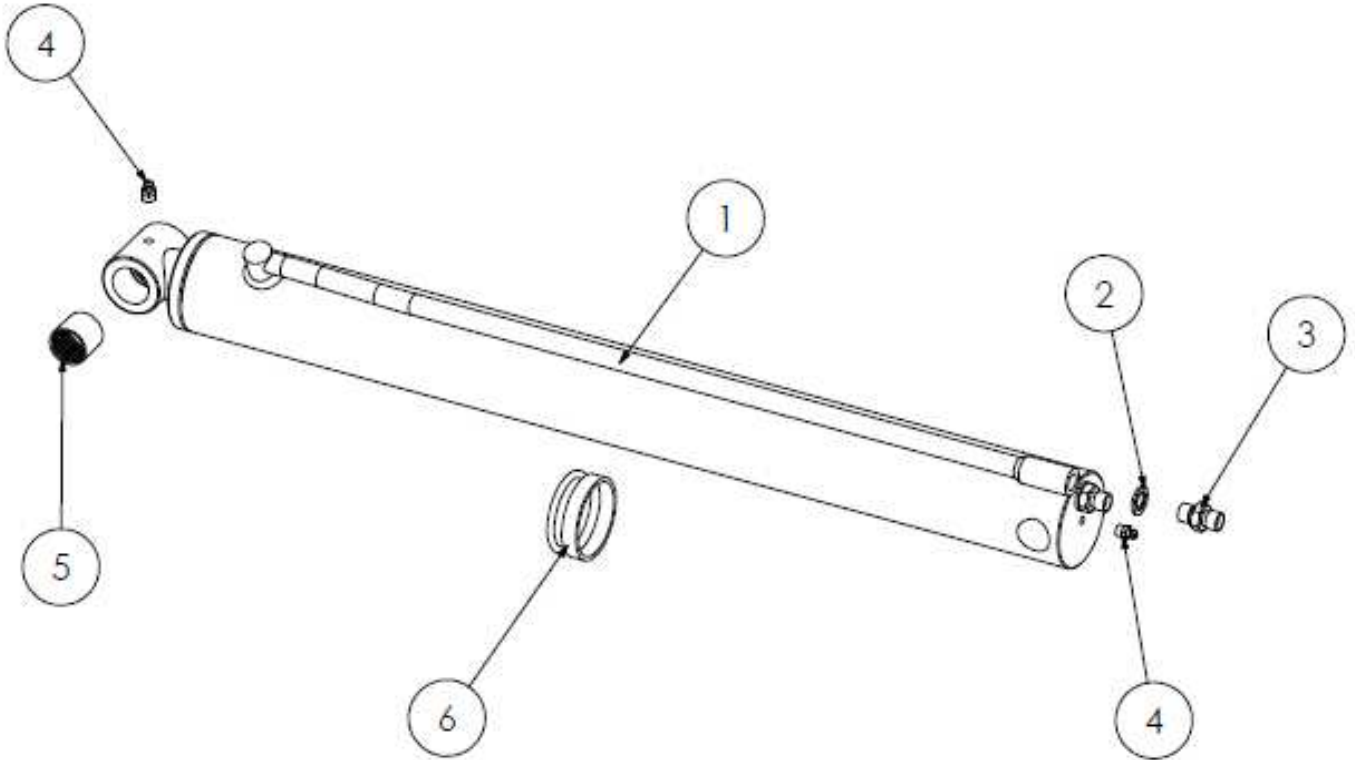
DIPPER RAM - S180032.28



REF NO.	PART NO.	QTY.	DESCRIPTION
1	3580640H	1	DIPPER RAM
2	3260070	1	1/4" BONDED SEAL
3	3360080	1	1/4" M-M ADAPTOR
4	3260071	1	3/8" BONDED SEAL
5	3360083	1	3/8" M - 1/4" M ADAPTOR
6	2770462	1	M6 45° GREASE NIPPLE
7	2770502	1	M6 90° GREASE NIPPLE
8	3580640H.01	1	SEAL KIT
9	3580660B.01	1	WELD ON BALL END

Spearhead 5 Series

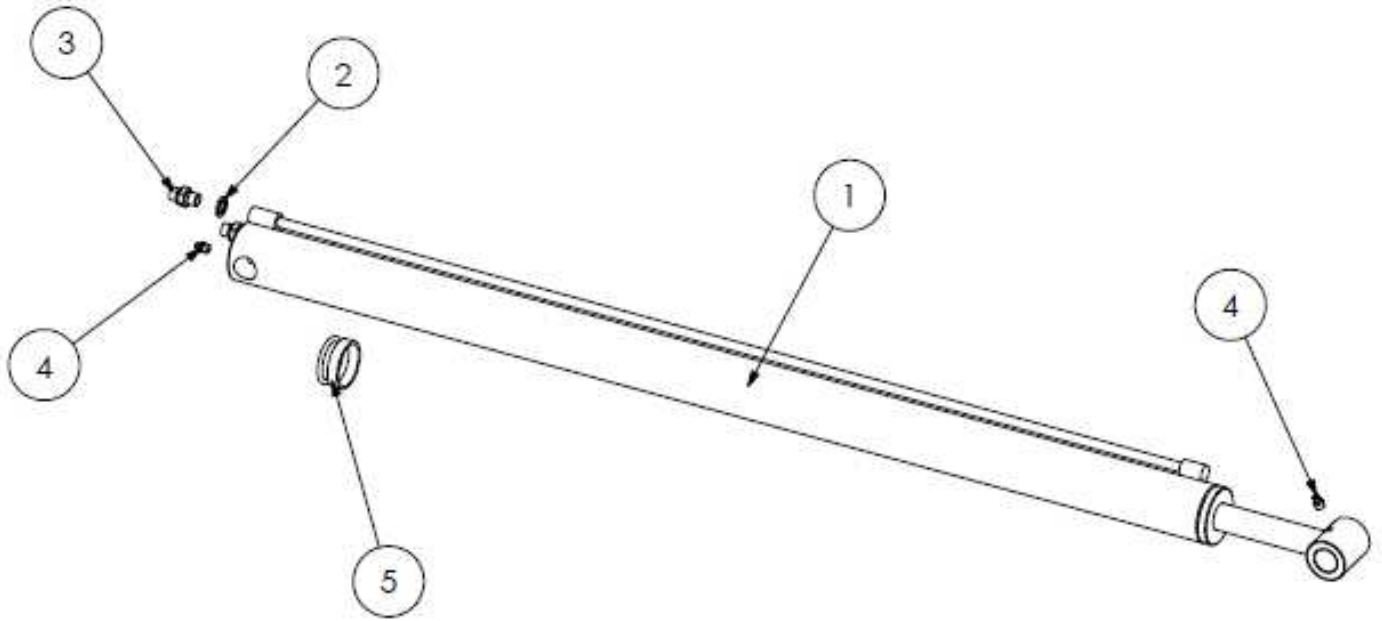
HEAD RAM – S180032.29



REF NO.	PART NO.	QTY.	DESCRIPTION
1	3580636	1	HEAD RAM
2	3260070	2	1/4" BONDED SEAL
3	3360080	2	1/4" M-M ADAPTOR
4	01.070.04	2	1/8 ST GREASE NIPPLE
5	4600413	2	BUSH
6	3570666HP	1	SEAL KIT

Spearhead 5 Series

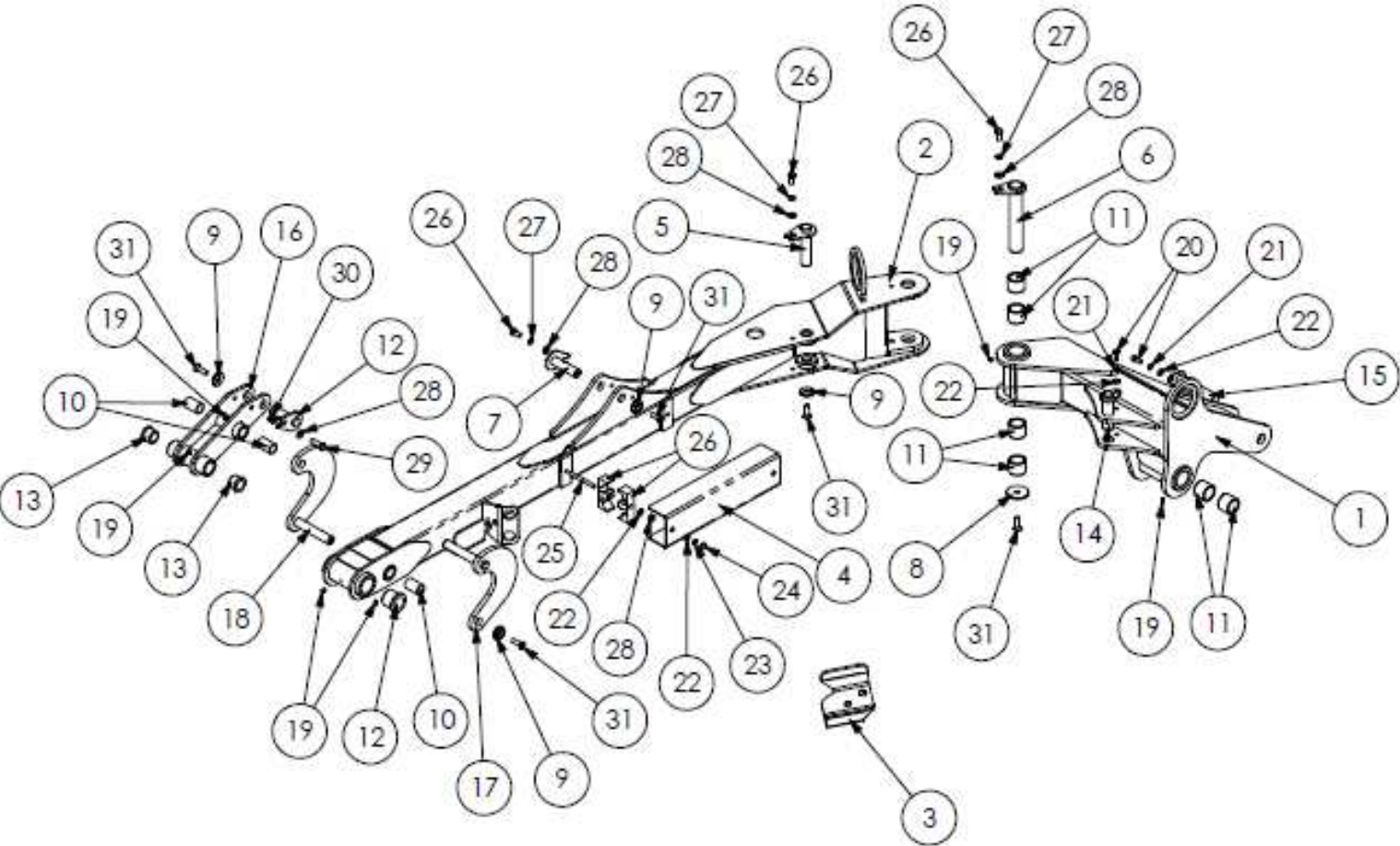
TELE RAM – S180032.30



REF NO.	PART NO.	QTY.	DESCRIPTION
1	3580653A	1	TELE RAM
2	3260070	2	1/4" BONDED SEAL
3	3360080	2	1/4" M-M ADAPTOR
4	01.070.04	2	1/8 ST GREASE NIPPLE
5	3570665HP	1	SEAL KIT

Spearhead 5 Series

FORWARD REACH DIPPER ARM



Spearhead 5 Series

FORWARD REACH DIPPER ARM

REF NO.	PART NO.	QTY.	DESCRIPTION
1	180944	1	LH KNUCKLE
1	180945	1	RH KNUCKLE
2	180950	1	LH 565FR DIPPER ARM
2	180951	1	RH 6000FR DIPPER ARM
2	180954	1	LH 605FR DIPPER ARM
2	180955	1	RH 6000LRFR DIPPER ARM
3	180952	1	RH MAIN ARM BUMP STOP
3	180953	1	LH MAIN ARM BUMP STOP
4	180947	1	HOSE GUARD
5	1777468	1	PEAR PIN: 30 X 114 mm
6	1782083	1	PEAR PIN: 40 X 216 mm
7	1778038	1	PEAR PIN: 25.4 X 98 mm
8	1777208	1	RETAINING WASHER - 65mm
9	1777209	5	RETAINING WASHER - 40mm
10	4600124	4	BUSH
11	4600125	8	BUSH
12	4600127-A	2	BUSH
13	4600135B	2	BUSH
14	1782106	1	PEAR PIN: 30 X 106mm
15	1782130	1	PEAR PIN: 30 X 150mm
16	1777116A	1	HEAD CROWD LINK
17	1777117L	1	LH CURVED LINK
18	1777117R	1	RH CURVED LINK
19	2770467	6	M6 ST GREASE NIPPLE
20	2770407	2	M10 X 25 BOLT
21	2770469	2	M10 SPRING WASHER
22	2770434	6	M10 FLAT WASHER
23	05.283.02	2	M10 SHAKE PROOF WASHER
24	9100025	2	M10 DOMED NUT
25	04.282.10	2	M10 X 100 STUD
26	2770484	3	M12 X 25 BOLT
27	2770442	3	M12 SPRING WASHER
28	2770436	4	M12 FLAT WASHER
29	2770443	1	M12 X 40 BOLT
30	2770417	1	M12 NYLOCK
31	2770506	6	M12 X 30 SKT CSK SCREW

Spearhead Machinery Ltd
Green View
Salford Priors
Evesham
Worcestershire
WR11 8SW
Tel: 01789 491860
Fax: 01789 778683
www.spearheadmachinery.com
enquiries@spearheadmachinery.com