

Spearhead

MULTICUT 820



5th Edition – August 2014
Part No. 8999027

PARTS MANUAL

Spearhead

MULTICUT 820

Parts Book

5th Edition – August 2014

Spearhead Machinery Ltd
Green View
Salford Priors
Evesham
Worcestershire
WR11 8SW
Tel: 01789 491860
Fax: 01789 778683
www.spearheadmachinery.com
snel@spearheadmachinery.com

© Spearhead Machinery Limited 2004

Spearhead MULTICUT 820

Contents

Ordering Your Parts	4
Draw Bar Assembly	5
Starcut	6
Centre Section Assembly	7
LH Wing Assembly	9
RH Wing Assembly	11
Rear Axle Assembly	13
Splitter Gearbox Assembly (Walterscheid)	14
Splitter Gearbox Assembly (Bondioli)	17
Centre Rotor Gearbox Assembly (Walterscheid)	19
Centre Rotor Gearbox Assembly (Bondioli)	21
Inner Wing Gearbox Assembly (Walterscheid)	23
Inner Wing Gearbox Assembly (Bondioli)	25
RH Outer Wing Gearbox Assembly (Walterscheid)	27
RH Outer Wing Gearbox Assembly (Bondioli)	29
LH Outer Wing Gearbox Assembly (Walterscheid)	31
LH Outer Wing Gearbox Assembly (Bondioli)	33
Input P.T.O. Shaft Assembly (Walterscheid)	35
Input P.T.O. Shaft Assembly (Bondioli)	37
Outer Wing Shaft Assembly (Walterscheid)	39
Outer Wing Shaft Assembly (Bondioli)	41
Centre Coupling Assembly (Walterscheid)	43
Centre Coupling Assembly (Bondioli)	45
Inner Wing Shaft Assembly (Walterscheid)	47
Inner Wing Shaft Assembly (Bondiloi)	49
Decals & Safety Warnings	51
Hydraulic Hose Layout	53

Spearhead MULTICUT 820

Ordering Your Part's

When ordering parts please refer to your parts list to help your dealer with your order.

Part number and quantity
Description
Machine model number
Serial number of the machine
Delivery instructions (e.g. next day).

Delivery is normally via carrier direct to your dealer. Please check with your dealer for stock availability and arrangement of dispatch. Ensure you or your dealer has sufficient cover for parts requirement outside factory hours.

When ordering your seal kits please quote both codes stamped on the base of the cylinder.

Important Note

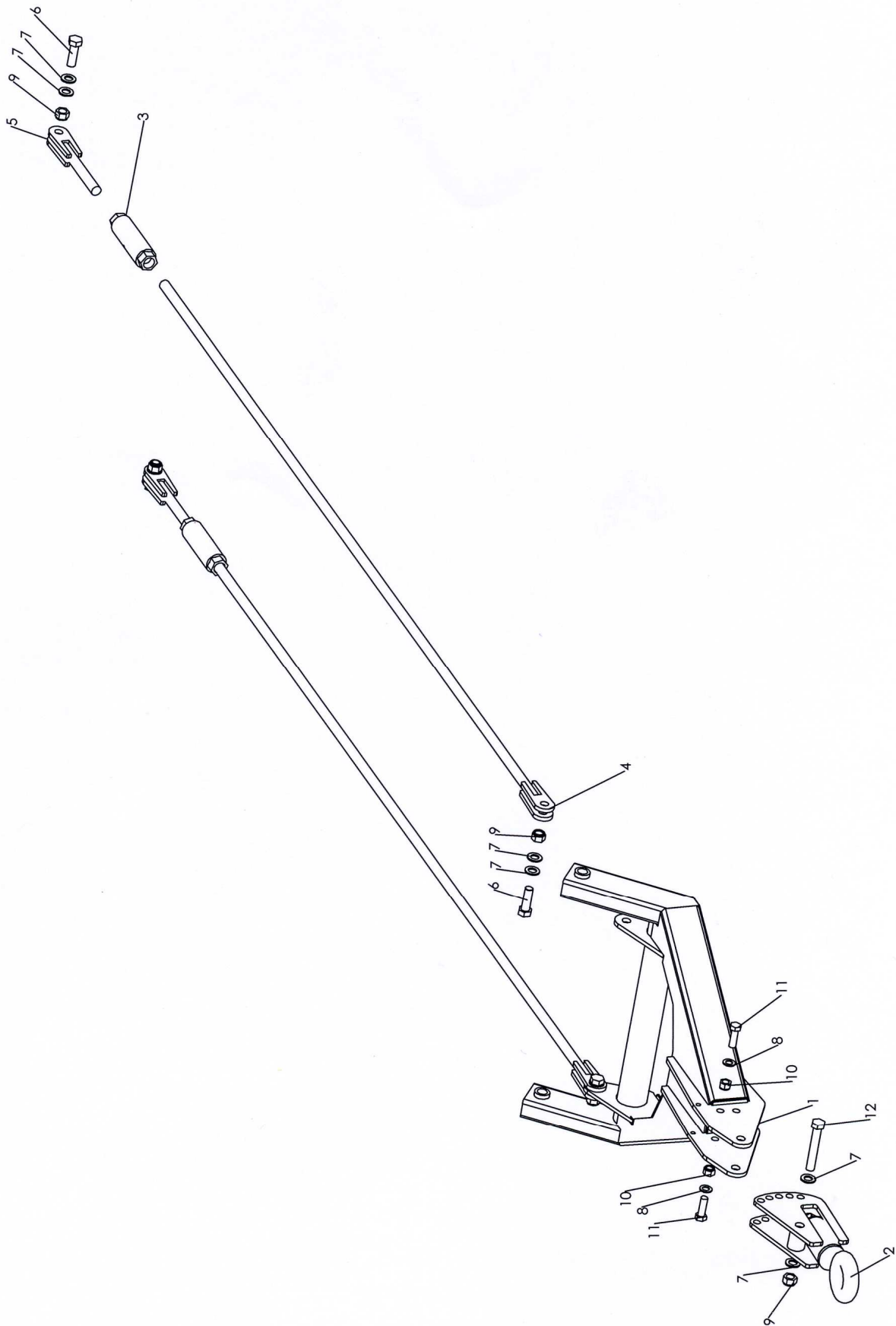
The information contained in this manual is correct at the time of publication. However, in the course of constant development, changes in specification are inevitable. Should you find the information given in this book different to the machine it relates to, please contact the "After Sales Department" for advise.

Key:

(LH) = Left hand
(RH) = *Right hand*

Spearhead MULTICUT 820

Draw Bar Assembly



Spearhead MULTICUT 820

Draw Bar Assembly

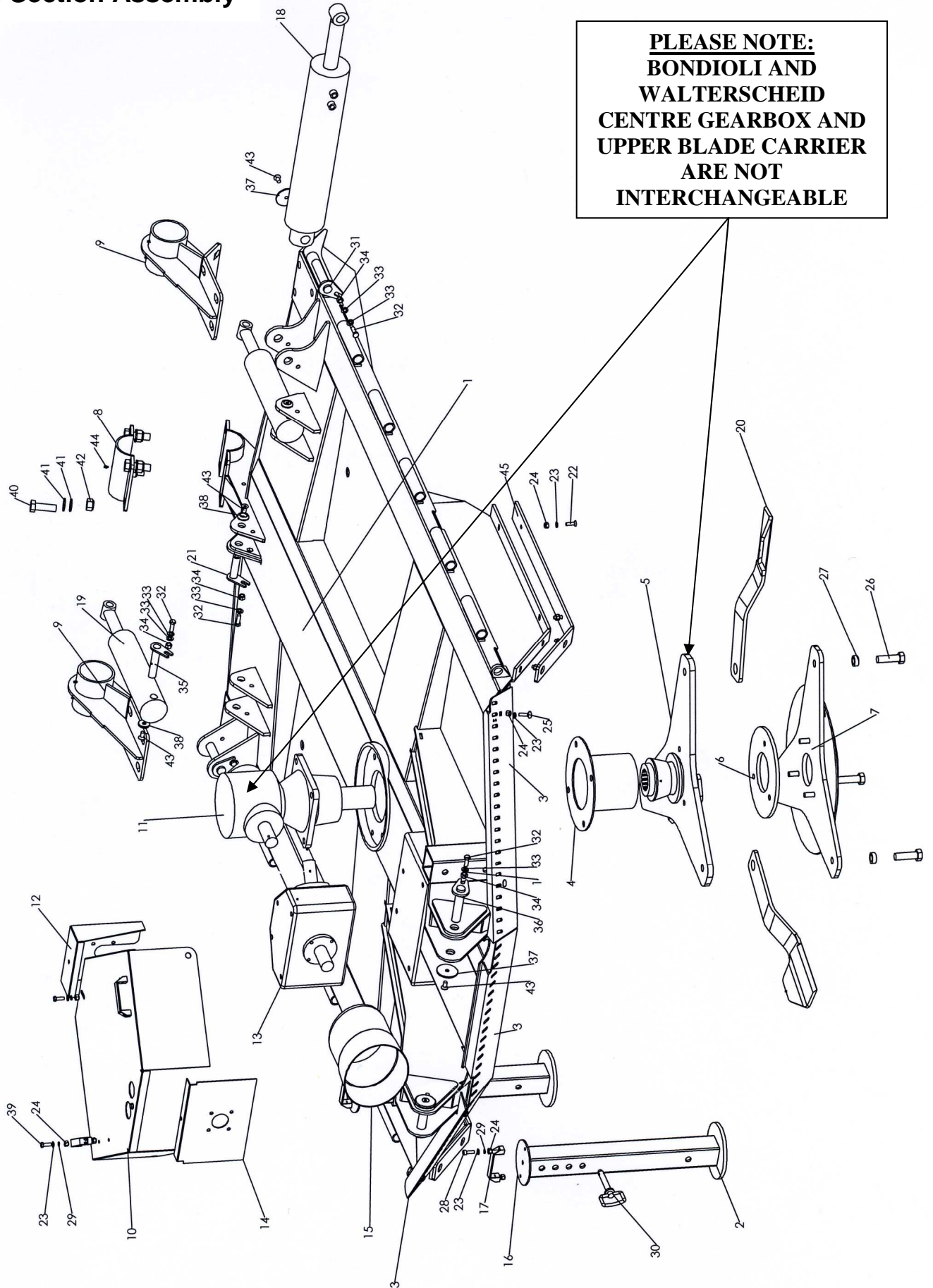
REF. NO	PART NO.	DESCRIPTION
1	1800024	STANDARD HITCH
2	1800025	SWIVEL ASSEMBLY
3	1800028	TURNBUCKLE
	1770655.02	LOCK NUT
4	1800027	LONG ROD
5	1800026	SHORT ROD
6	2770413	BOLT
7	2770464	WASHER
8	2770517	WASHER
9	2770414	NUT
10	2770409	NUT
11	2770367	BOLT
12	2770365	BOLT
13	4600139	PLASTIC WASHER (NOT SHOWN)
14	1770689	PTO SUPPORT
14A	2770584	BOLT

Star-Cut

REF. NO	PART NO.	DESCRIPTION
	OPT0963	KIT
	046001	BLADE
	046053	WING BLADE CARRIER
	082022	CENTRE BLADE CARRIER
	2770413	BOLT
	2770414	NUT
	7770707	BUSH

Spearhead MULTICUT 820

Centre Section Assembly



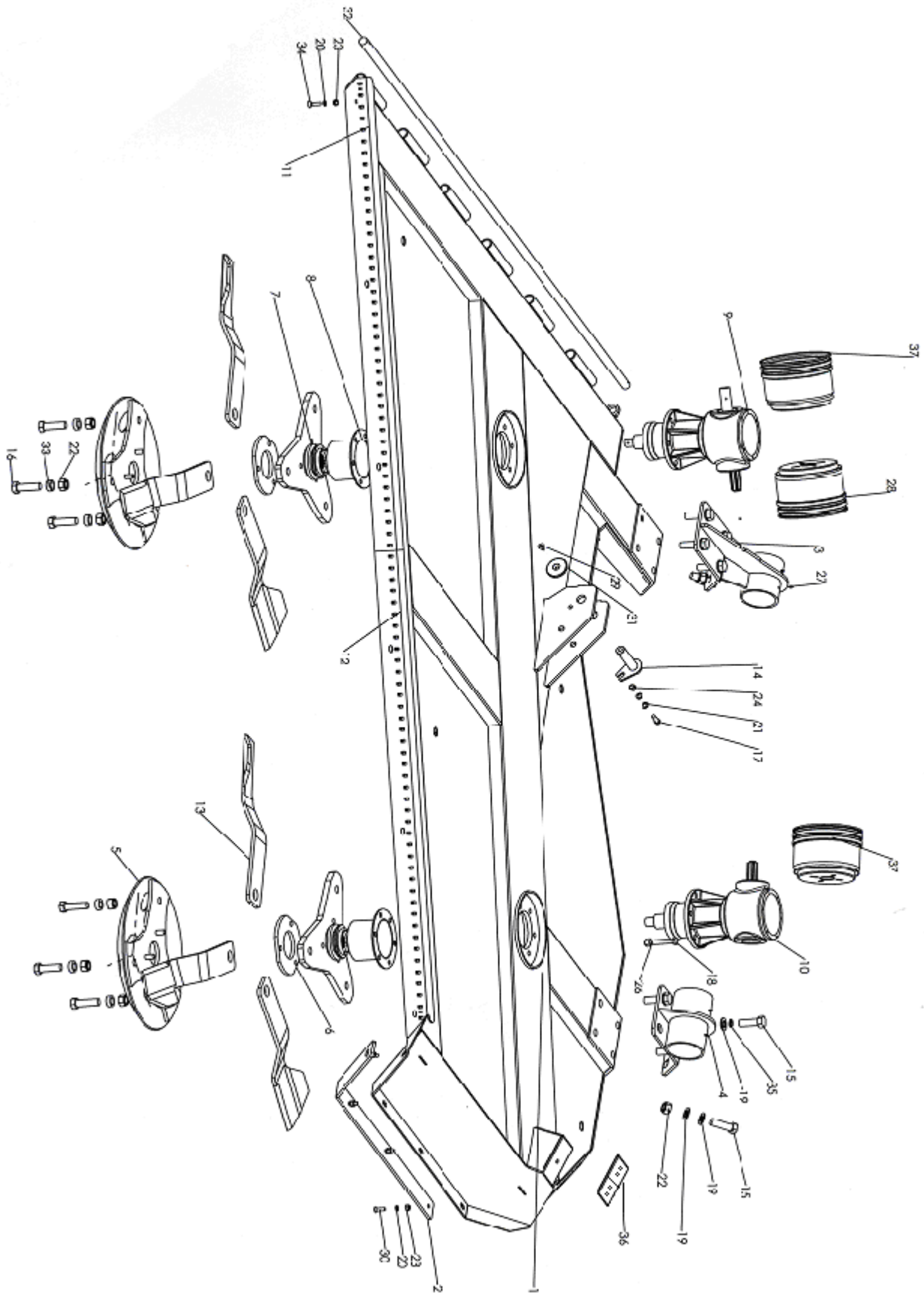
Spearhead MULTICUT 820

Centre Section Assembly

REF. NO	PART NO.	DESCRIPTION
1	1800001	CENTRE CHASSIS
2	1800037	JACK LEG
3	1800002	FRONT CHAIN GUARD
4	1800003	GEARBOX SEAL PROTECTOR
5	1800004	UPPER CARRIER ASSY - BONDIOLI GEARBOX
	180446	UPPER CARRIER ASSY - WALTERSCHEID GEARBOX
6	1800005	SPACER
7	1800006	LOWER PLATE ASSY
	7770728	ANTI SCALP DISH
8	1800007	CENTRE AXLE BRACKET
9	1800008	OUTER AXLE BRACKET
10	1800011	GEARBOX COVER
11	5770433	ROTOR GEARBOX WALTERSCHEID
	5780005	ROTOR GEARBOX BONDIOLI
12	1800009	GUARD REAR MOUNT
13	5770432	SPLITTER GEARBOX WALTERSCHEID
	5769999A	SPLITTER GEARBOX BONDIOLI
14	1800010	GUARD FRONT MOUNT
15	5770434	GUARD
16	1800038	JACK LEG TOP
17	8777513	HANDLE
18	3580665	WING RAM
	3570675HP	SEAL KIT
19	3570636	HEIGHT RAM
	3570636W	SEAL KIT
20	7770700	RH BLADE
21	1777368	PIN
22	2770509	SCREW
23	2770434	WASHER
24	2770412	NUT
25	2770258	BOLT
26	2770413	BOLT
27	7770707	BUSH
28	2770523	BOLT
29	2770469	WASHER
30	6310215	PIN
31	1782051	PIN
32	2770535	SCREW
33	2770436	WASHER
34	2770417	NUT
35	1777369	PIN
36	1782050	PIN
37	1777208	WASHER
38	1777209	WASHER
39	2770421	SCREW
40	2770551	BOLT
41	2770464	WASHER
42	2770414	NUT
43	2770441	SCREW
44	2770467	GREASE NIPPLE
45	1800012	SKID

Spearhead MULTICUT 820

LH Wing Assembly



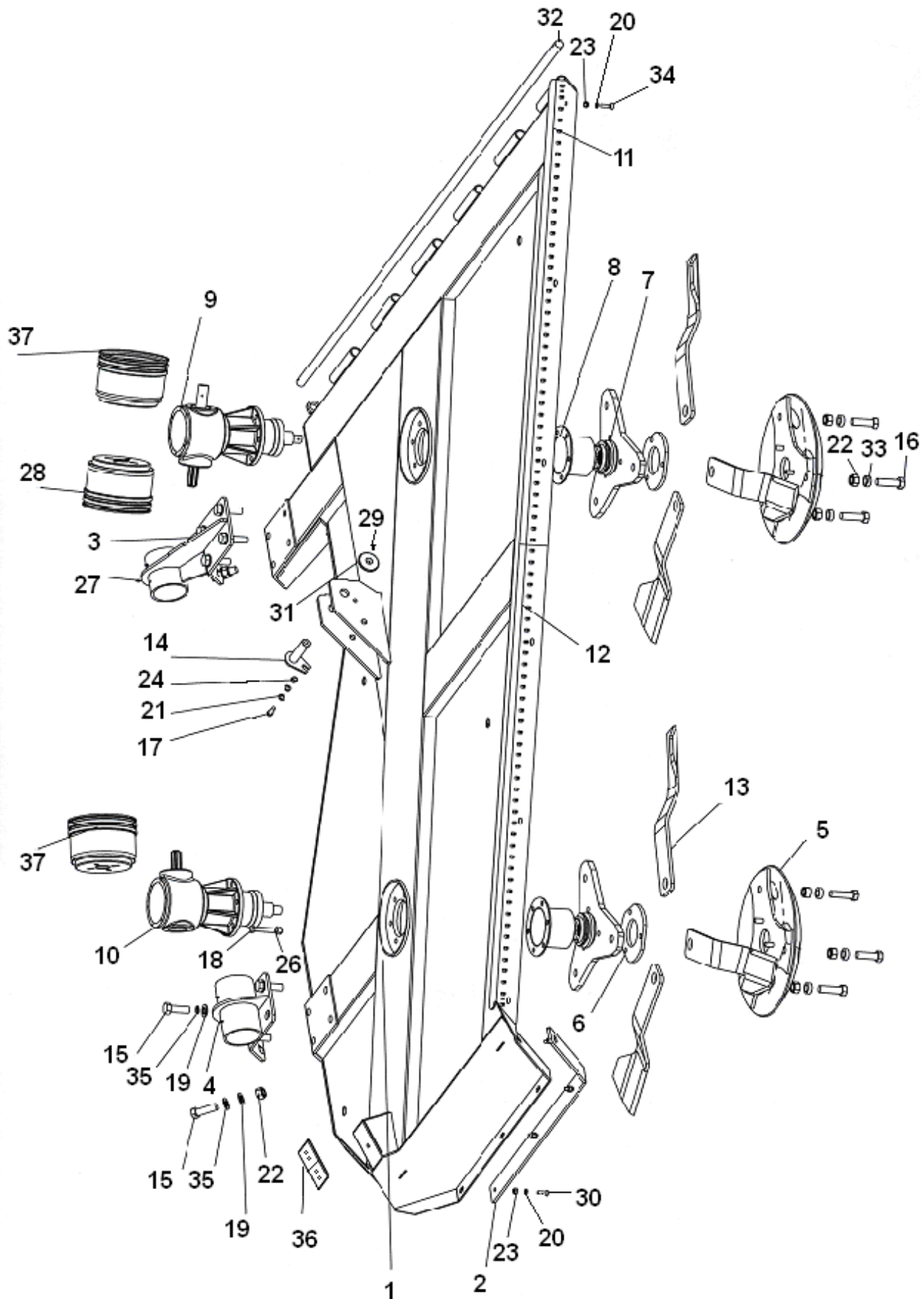
Spearhead MULTICUT 820

LH Wing Assembly

REF. NO	PART NO.	DESCRIPTION
1	1800013	LH WING SECTION
2	1800016	SKID
3	1800008	INNER AXLE MOUNT
4	1800017	OUTER AXLE MOUNT
5	1770630	LOWER BLADE CARRIER
	7770726	ANTI SCALP DISH
6	1770604-3	SPACER
7	180363	UPPER BLADE CARRIER
8	1770620	GEARBOX SEAL PROTECTOR
9	5770420	INNER WING GEARBOX WALTERSCHEID
	5770205	INNER WING GEARBOX BONDIOLI
10	5770413	LH OUTER GEARBOX WALTERSCHEID
	5770007	LH OUTER GEARBOX BONDIOLI
11	1800014	LH INNER CHAIN GUARD
12	1800015	LH OUTER CHAIN GUARD
	8770625	FRONT CHAIN 10 LINK
	8770621	REAR CHAIN 6 LINK
13	7770701	LH BLADE
14	1782050	PIN
15	2770551	BOLT
16	2770413	BOLT
17	2770535	SCREW
18	2770404	BOLT
19	2770464	WASHER
20	2770434	WASHER
21	2770436	WASHER
22	2770414	NUT
23	2770412	NUT
24	2770417	NUT
25	2770416	NUT
26	2770447	NUT
28	5770105A	GUARD
29	2770441	SCREW
30	2770509	SCREW
31	1777208	WASHER
32	1800055	HINGE
33	7770707	BUSH
34	2770258	BOLT
35	2770456	WASHER
36	180447	STOP BRACKET
	2770422	SCREW
37	5770129	GUARD
	6310234	TRANSPORT STRAP
	OPT0676	RUBBER FLAP KIT
	OPT0675	EXTRA BAFFLE KIT
	1800013.20	WELD IN DECK RING
	1800033.20	WELD IN DECK RING

Spearhead MULTICUT 820

RH Wing Assembly



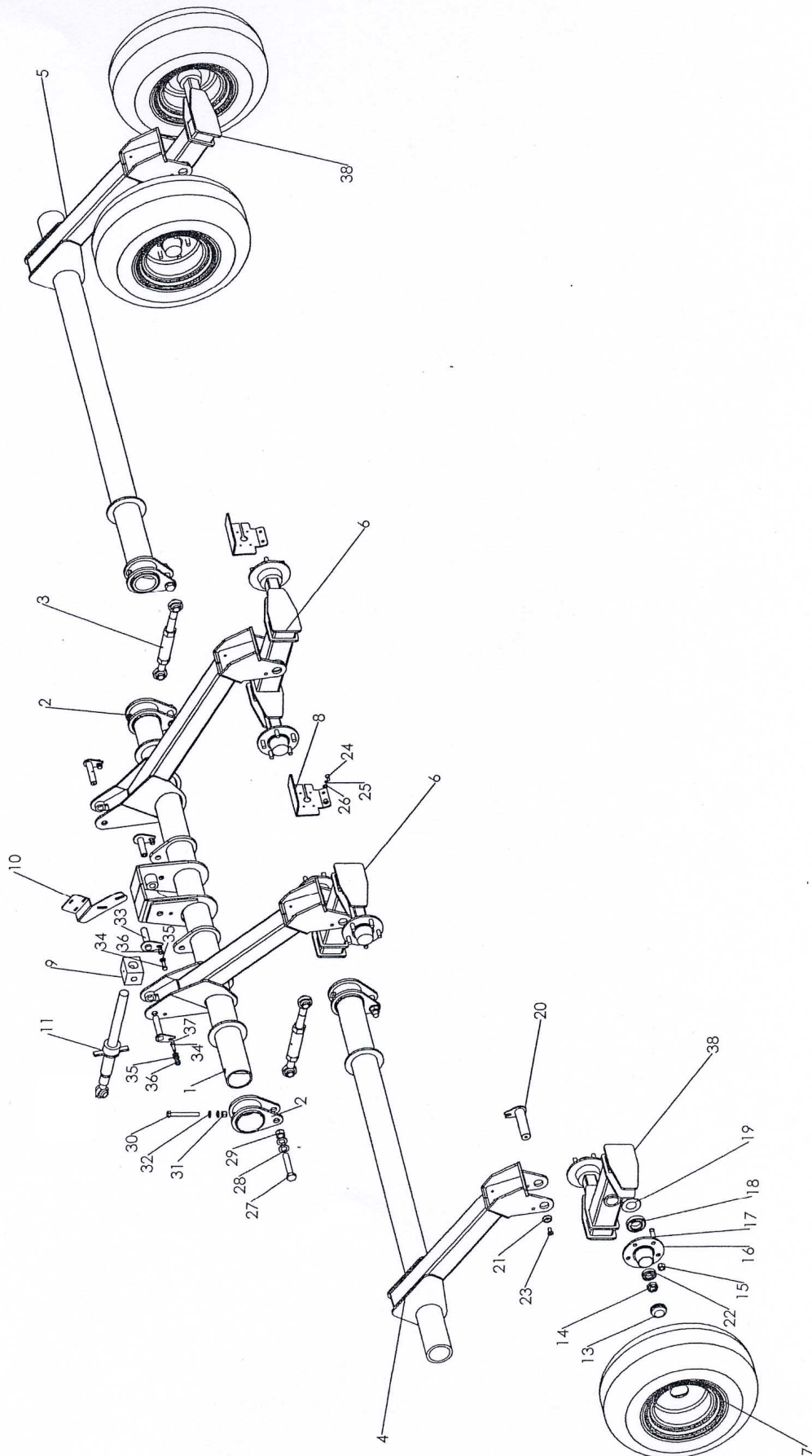
Spearhead MULTICUT 820

RH Wing Assembly

REF. NO	PART NO.	DESCRIPTION
1	1800033	RH WING SECTION
2	1800016	SKID
3	1800008	INNER AXLE MOUNT
4	1800017	OUTER AXLE MOUNT
5	1770630	LOWER BLADE CARRIER
	7770726	ANTI SCALP DISH
6	1770604-3	SPACER
7	180363	UPPER BLADE CARRIER
8	1770620	GEARBOX SEAL PROTECTOR
9	5770420	INNER WING GEARBOX WALTERSCHEID
	5770205	INNER WING GEARBOX BONDIOLI
10	5770414	RH OUTER GEARBOX WALTERSCHEID
	5770006	RH OUTER GEARBOX BONDIOLI
11	1800034	RH INNER CHAIN GUARD
12	1800035	RH OUTER CHAIN GUARD
	8770625	FRONT CHAIN 10 LINK
	8770621	REAR CHAIN 6 LINK
13	7770700	RH BLADE
14	1782050	PIN
15	2770551	BOLT
16	2770413	BOLT
17	2770535	SCREW
18	2770404	BOLT
19	2770464	WASHER
20	2770434	WASHER
21	2770436	WASHER
22	2770414	NUT
23	2770412	NUT
24	2770417	NUT
25	2770416	NUT
26	2770447	NUT
28	5770105A	GUARD
29	2770441	SCREW
30	2770509	SCREW
31	1777208	WASHER
32	1800055	HINGE
33	7770707	BUSH
34	2770258	BOLT
35	2770456	WASHER
36	180447	STOP BRACKET
	2770422	SCREW
37	5770129	GUARD
	6310234	TRANSPORT STRAP
	OPT0676	RUBBER FLAP KIT
	OPT0675	EXTRA BAFFLE KIT

Spearhead MULTICUT 820

Rear Axle Assembly



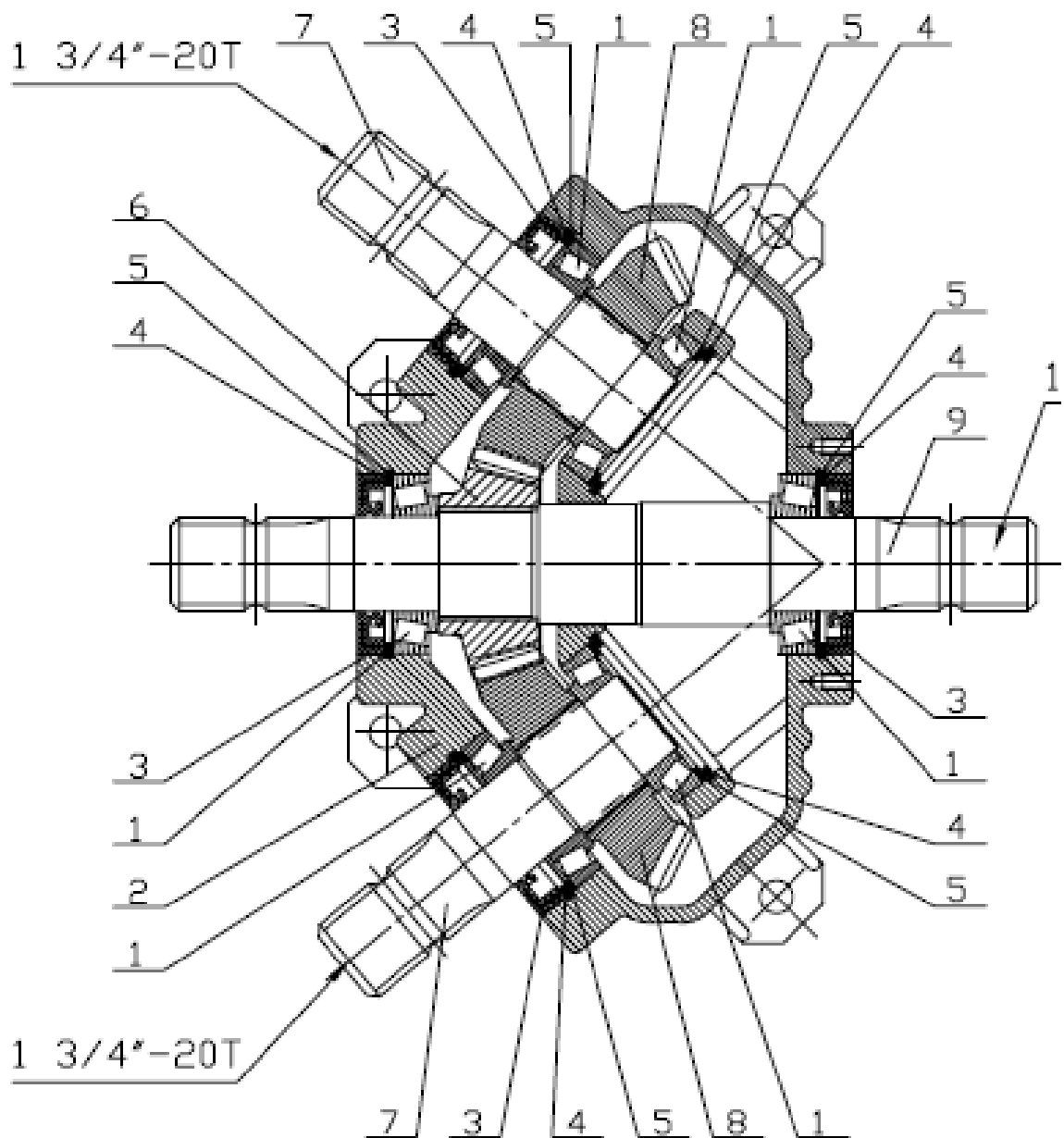
Spearhead MULTICUT 820

Rear Axle Assembly

REF. NO	PART NO.	DESCRIPTION
1	1800018	CENTRE AXLE
2	1800022	END BRACKET
3	6310253	ADJUSTABLE LINK
4	1800019	LH AXLE
5	1800036	RH AXLE
6	1800021	CENTRE TANDEM
-	4600127-A	BUSH
7	6550142B	WHEEL
8	1800032	LIGHT BRACKET
-	8770667	LIGHT UNIT
-	8770659A	LENS
9	1770641B	PIVOT BLOCK
10	1800023	VALVE BRACKET
-	3910297	DIVERTER VALVE
11	6310254	HEIGHT ADJUSTER C/W BALL END
12	-	-
13	6770580	CAP - WHEEL SOLUTIONS
13	6770587.01	CAP - ROC AXLE (SCREW-ON TYPE)
14	6770583	NUT - WHEEL SOLUTIONS
14	6770587.06	NUT - ROC AXLE
15	6770578	NUT
16	6770582	STUB AXLE COMPLETE
17	6770579	STUD
18	4770660	INNER BEARING
19	4770661	SEAL - WHEEL SOLUTIONS
19	6770587.03	SEAL - ROC AXLE
19	6770587.04	OUTER SEAL - ROC AXLE
20	1770583B	PIN
20A	4600127-A	BUSH
21	1777208	WASHER
22	4770659	OUTER BEARING - WHEEL SOLUTION
22	6770587.02	OUTER BEARING - ROC AXLE
23	2770506	SCREW
24	2770418	SCREW
25	2770469	WASHER
26	2770434	WASHER
27	2770366	BOLT
28	2770464	WASHER
29	2770414	NUT
30	2770622	BOLT M16X170
31	05.968.04	NUT
32	2770454	WASHER
33	1777761	PIN
34	2770535	SCREW
35	2770436	WASHER
36	2770417	NUT
37	1777369	PIN
38	1770585C	WING TANDEM ASSEMBLY

Spearhead MULTICUT 820

Splitter Gearbox Assembly - Walterscheid



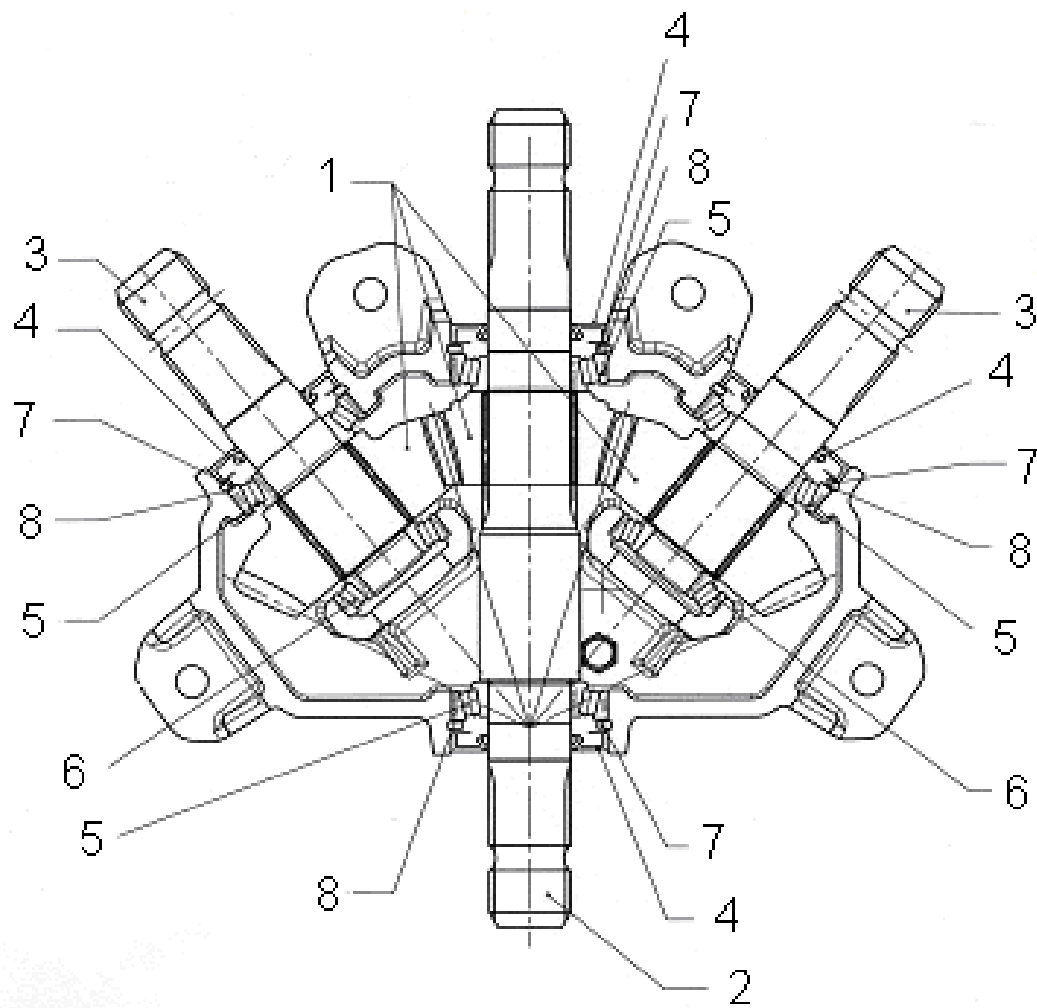
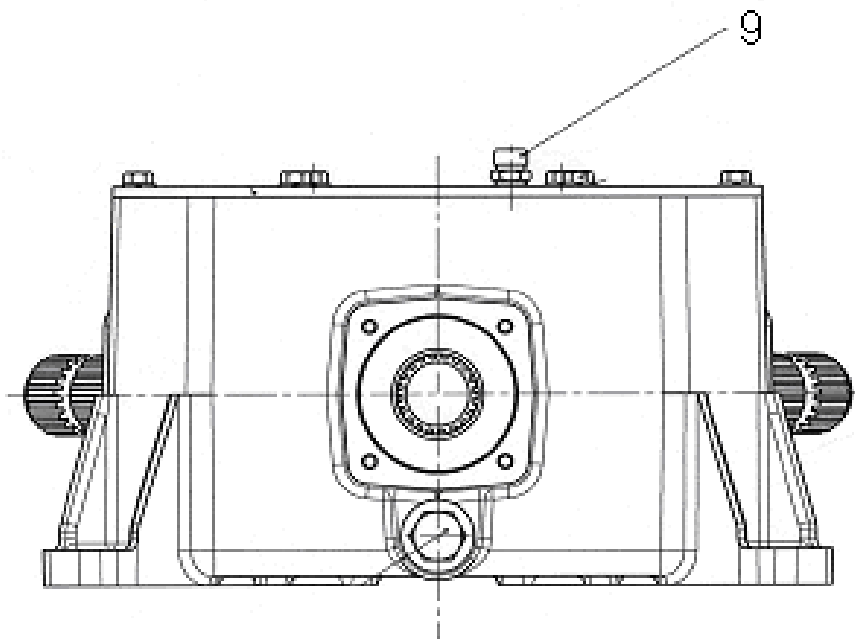
Spearhead MULTICUT 820

Splitter Gearbox Assembly - Walterscheid

REF. NO	PART NO.	DESCRIPTION
	5770432	SPLITTER GEARBOX
1	4770660	BEARING
2	N/A	HOUSING
3	5770432.05	SEAL
4	2777517	CIRCLIP
5	N/A	SHIM
6	5770432.01	GEAR
7	5770432.02	OUTPUT SHAFT
8	5770432.03	GEAR
9	5770432.04	INPUT SHAFT
10	N/A	COVER
11	N/A	BOLT
12	N/A	SPRING WASHER
13	N/A	PLUG
13	N/A	DIPSTICK

Spearhead MULTICUT 820

Splitter Gearbox Assembly - BONDIOLI



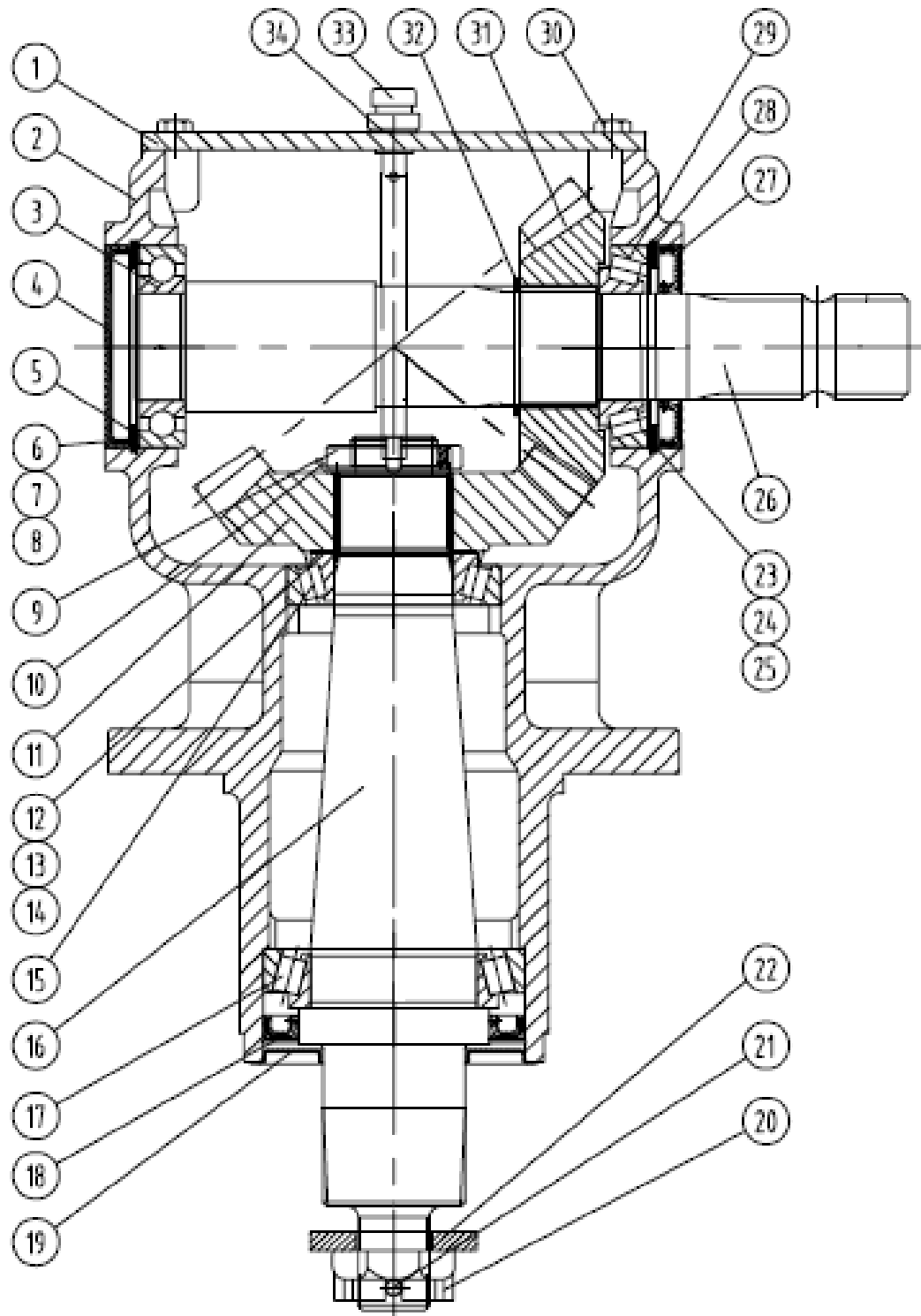
Spearhead MULTICUT 820

Splitter Gearbox Assembly - BONDIOLI

REF. NO	PART NO.	DESCRIPTION
	5769999A	SPLITTER GEARBOX
1	5760820	GEAR SET
2	5760820/1	INPUT SHAFT
3	5760820/2	OUTPUT SHAFT
4	4771507	SEAL
5	5760820/4	BEARING
6	5760820/5	BEARING
7	5760820/6	CIRCLIP
8	5760820/7	SHIM
9	5760820/8	DIPSTICK

Spearhead MULTICUT 820

Centre Rotor Gearbox Assembly - Walterscheid



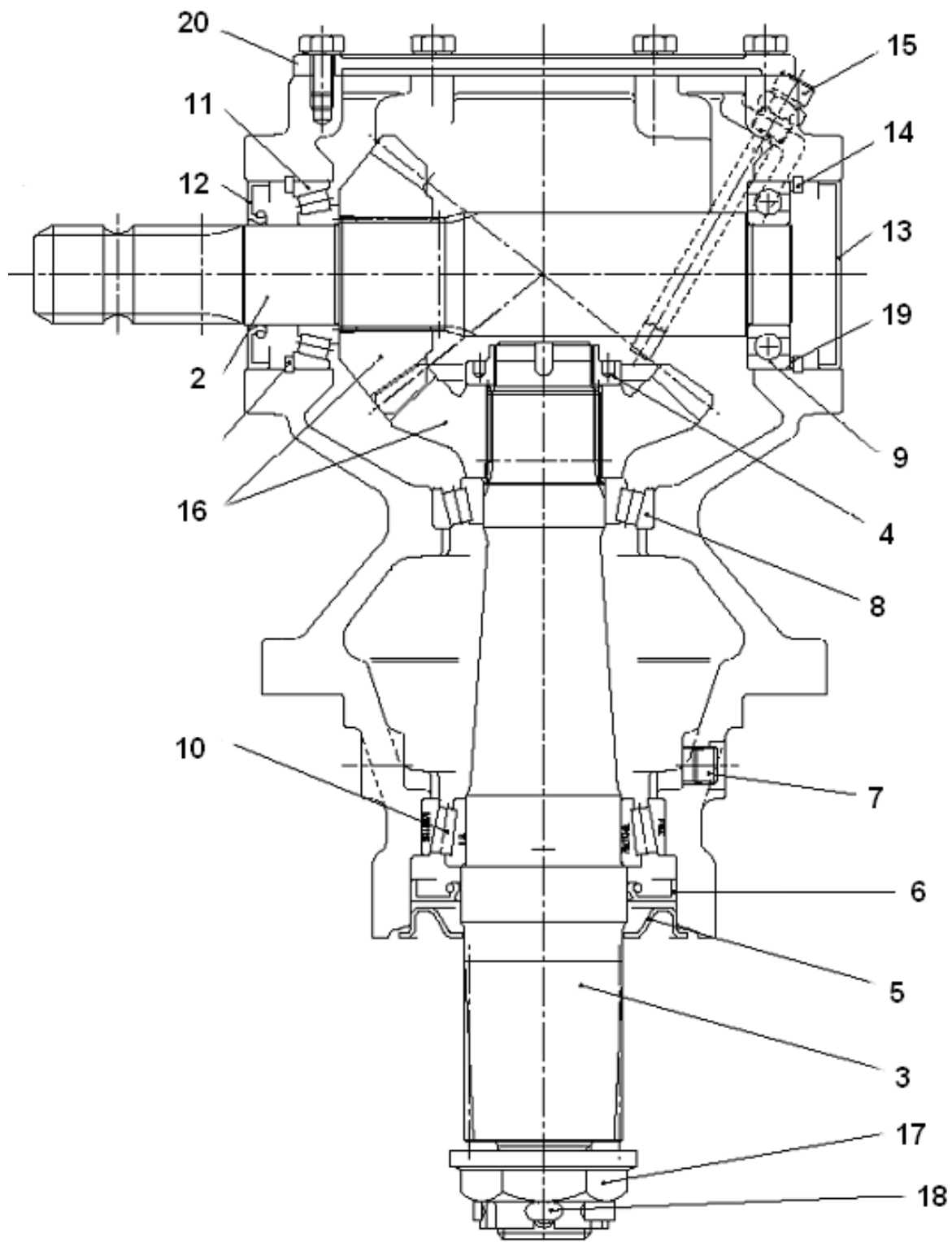
Spearhead MULTICUT 820

Centre Rotor Gearbox Assembly - Walterscheid

REF. NO	PART NO.	DESCRIPTION
	5770433	GEARBOX
1	N/A	LID
2	N/A	HOUSING
3	4771599	BEARING
4	4771509	CAP
5	2777517	CIRCLIP
6	N/A	SHIM
7	N/A	SHIM
8	N/A	SHIM
9	N/A	NUT
10	N/A	WASHER
11	5770433.08	GEAR SET
12	N/A	SHIM
13	N/A	SHIM
14	N/A	SHIM
15	00769938	BEARING
16	5770433.04	OUTPUT SHAFT
17	5770433.01	BEARING
18	5770433.02	SEAL
19	5770433.03	SHIELD
20	N/A	NUT
21	N/A	PIN
22	N/A	WASHER
23	N/A	SHIM
24	N/A	SHIM
25	N/A	SHIM
26	5770433.05	INPUT SHAFT
27	4771507	SEAL
28	N/A	CIRCLIP
29	4770660	BEARING
30	N/A	BOLT
31	5770433.06	GEAR SET
32	N/A	CIRCLIP
33	5770433.07	DIPSTICK
34	N/A	WASHER
35	N/A	PLUG

Spearhead MULTICUT 820

Centre Rotor Gearbox Assembly - BONDIOLI



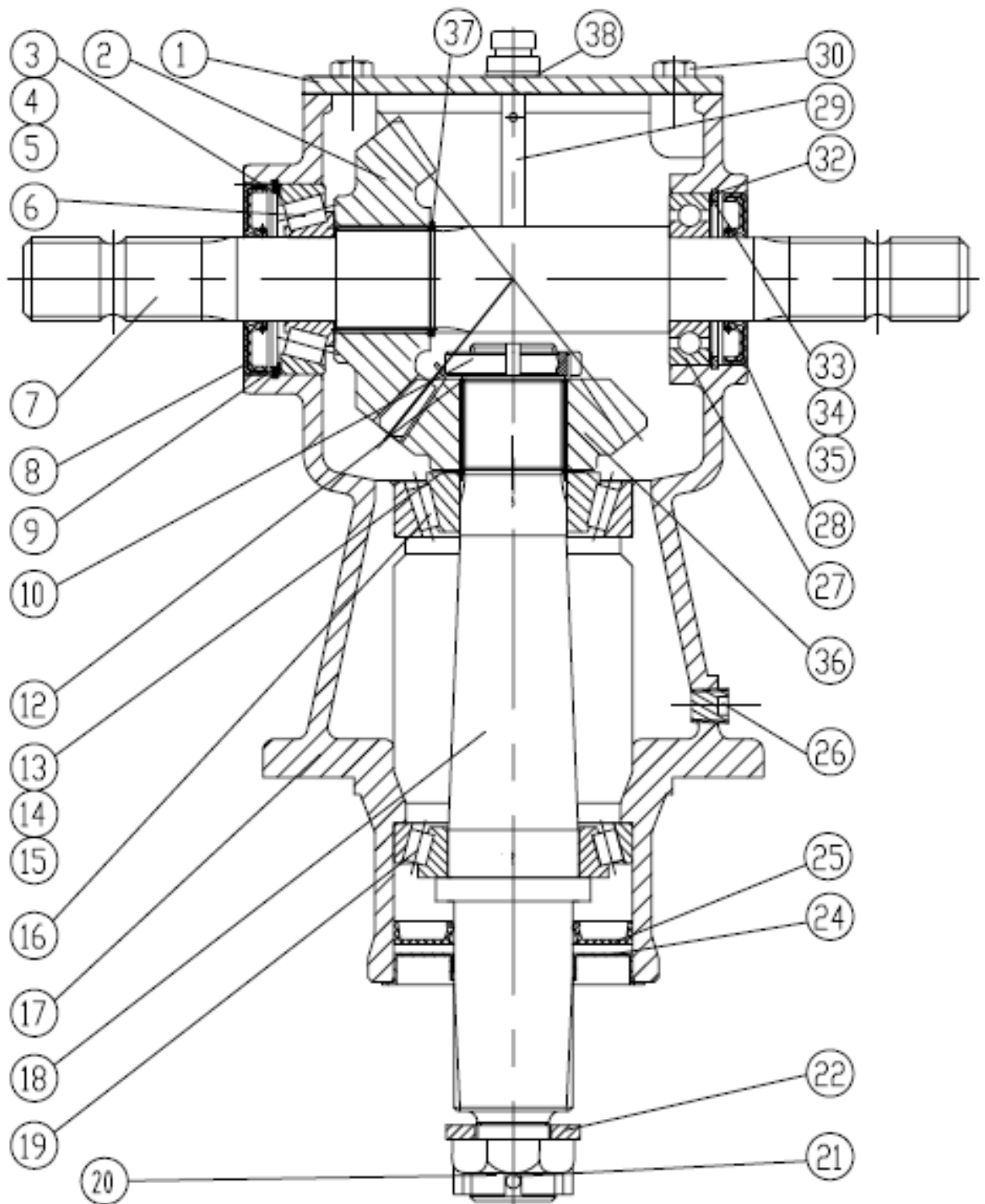
Spearhead MULTICUT 820

Centre Rotor Gearbox Assembly - BONDIOLI

REF. NO	PART NO.	DESCRIPTION
	5780005	GEARBOX
2	5780005/1	INPUT SHAFT
3	5780005/2	OUTPUT SHAFT
4	5780005/3	NUT
5	5780012	SHIELD
6	4771508	SEAL
7	5771126	PLUG
8	4771602	BEARING
9	5772340	BEARING
10	5780005/4	BEARING
11	5772341	BEARING
12	4771507	SEAL
13	4771509	CAP
14	2777517	CIRCLIP
15	5780005/5	DIPSTICK
16	N/A	GEAR SET
17	5780017	NUT
18	5780005/8	PIN
19	5780005/9	SHIM
20	5780015	LID

Spearhead MULTICUT 820

Inner Wing Gearbox Assembly - Walterscheid



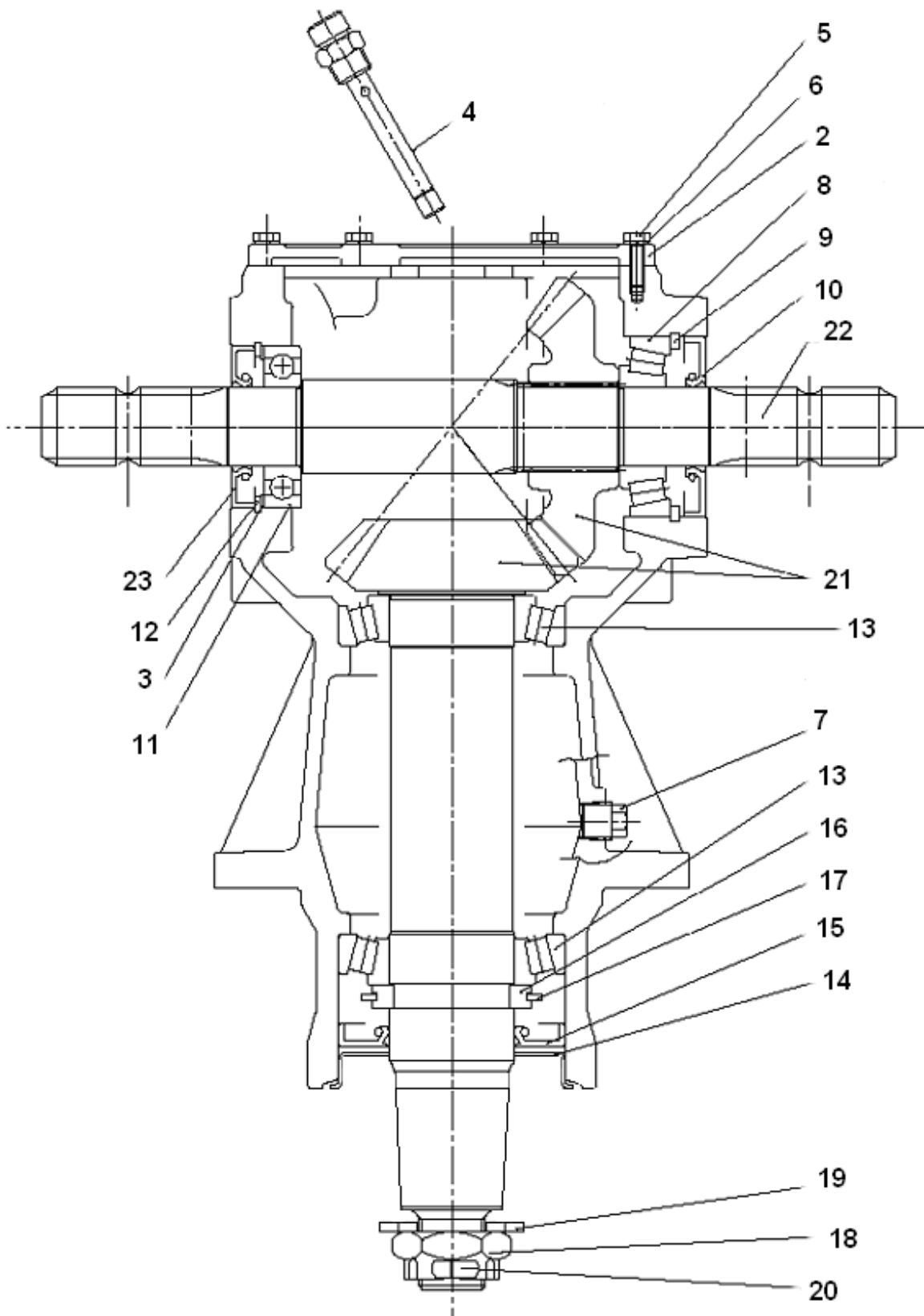
Spearhead MULTICUT 820

Inner Wing Gearbox Assembly - Walterscheid

REF. NO	PART NO.	DESCRIPTION
	5770420	ASSEMBLY
1	N/A	COVER
2	5770420.03	GEAR SET
3	N/A	SHIM
4	N/A	SHIM
5	N/A	SHIM
6	4771601	BEARING
7	5770420.04	INPUT SHAFT
8	4771124	SEAL
9	N/A	CIRCLIP
10	N/A	NUT
12	N/A	WASHER
13	N/A	SHIM
14	N/A	SHIM
15	N/A	SHIM
16	4771603	BEARING
17	N/A	HOUSING
18	5770420.05	OUTPUT SHAFT
19	4771602	BEARING
20	N/A	NUT
21	N/A	PIN
22	N/A	WASHER
24	5770420.01	SHIELD
25	5770420.02	SEAL
26	N/A	PLUG
27	4771600	BEARING
28	4771501	SEAL
29	5770420.06	DIPSTICK
30	N/A	BOLT
32	N/A	CIRCLIP
33	N/A	SHIM
34	N/A	SHIM
35	N/A	SHIM
36	5770420.07	GEAR SET
37	N/A	CIRCLIP
38	N/A	WASHER

Spearhead MULTICUT 820

Inner Wing Gearbox Assembly BONDIOLI



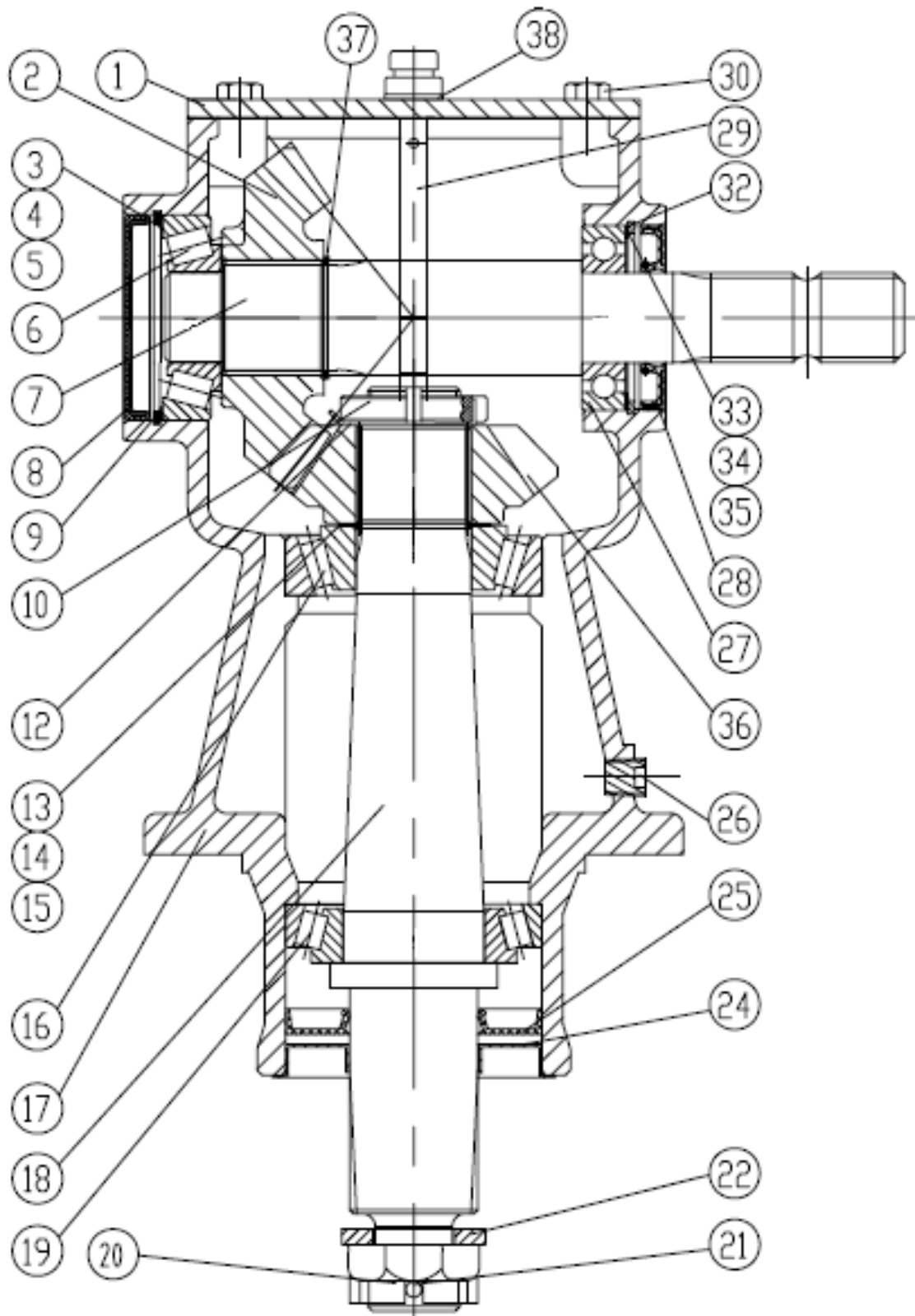
Spearhead MULTICUT 820

Inner Wing Gearbox Assembly BONDIOLI

REF. NO	PART NO.	DESCRIPTION
	5770205	ASSEMBLY
2	5771401	COVER
3	5771423	SHIM SET
4	5771416	DIPSTICK
5	5771407	BOLT
6	2771408	WASHER
7	5771415	PLUG
8	4771601	BEARING
9	2771129	CIRCLIP
10	4771124	SEAL
11	4771600	BEARING
12	2771108	CIRCLIP
13	4771602	BEARING
14	5771406	SHIELD
15	4771500	SEAL
16	5771422	COLLET
17	2771600	CIRCLIP
18	5771409	NUT
19	5771410	WASHER
20	2770477	PIN
21	5771410	GEAR SET
22	5770208	SHAFT
23	4771501	SEAL

Spearhead MULTICUT 820

RH Outer Wing Gearbox Assembly - Walterscheid



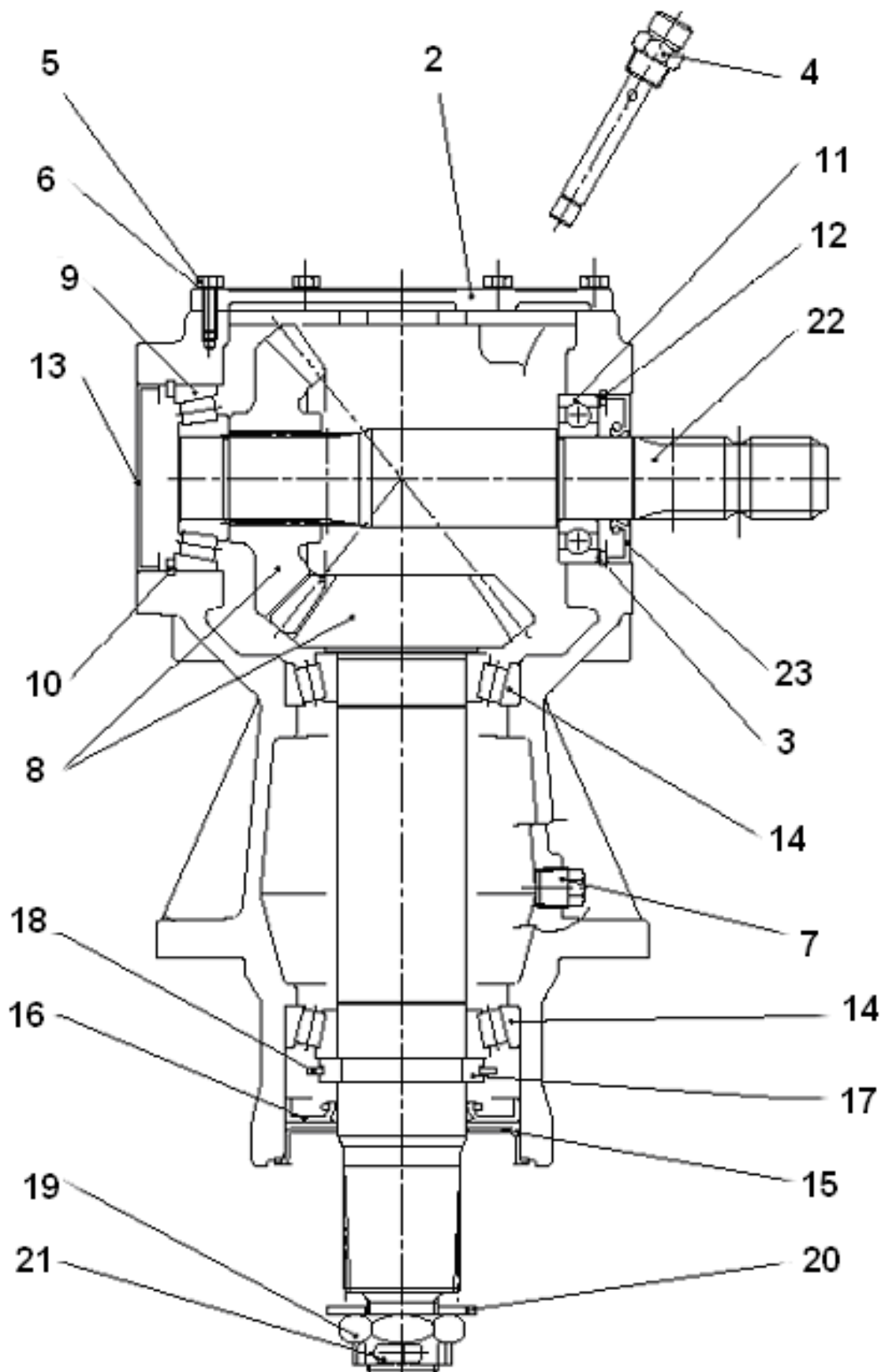
Spearhead MULTICUT 820

RH Outer Wing Gearbox Assembly - Walterscheid

REF. NO	PART NO.	DESCRIPTION
	5770414	ASSEMBLY
1	N/A	COVER
2	5770420.03	GEAR SET
3	N/A	SHIM
4	N/A	SHIM
5	N/A	SHIM
6	4771601	BEARING
7	5770420.04	INPUT SHAFT
8	4771502	SEAL
9	N/A	CIRCLIP
10	N/A	NUT
12	N/A	WASHER
13	N/A	SHIM
14	N/A	SHIM
15	N/A	SHIM
16	4771603	BEARING
17	N/A	HOUSING
18	5770420.05	OUTPUT SHAFT
19	4771602	BEARING
20	N/A	NUT
21	N/A	PIN
22	N/A	WASHER
24	5770420.01	SHIELD
25	5770420.02	SEAL
26	N/A	PLUG
27	4771600	BEARING
28	4771501	SEAL
29	5770420.06	DIPSTICK
30	N/A	BOLT
32	N/A	CIRCLIP
33	N/A	SHIM
34	N/A	SHIM
35	N/A	SHIM
36	5770420.07	GEAR SET
37	N/A	CIRCLIP
38	N/A	WASHER

Spearhead MULTICUT 820

RH Outer Wing Gearbox Assembly - BONDIOLI



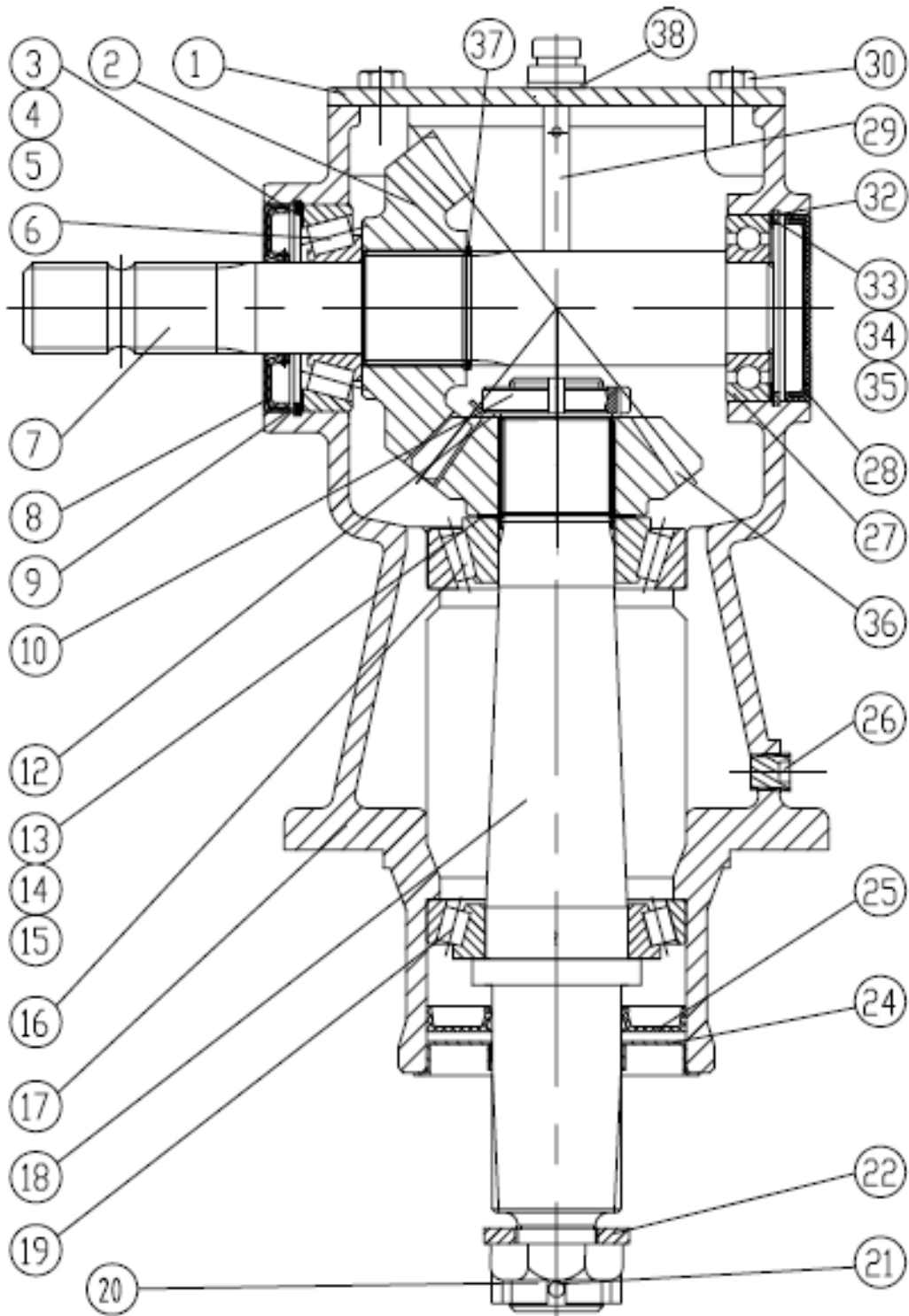
Spearhead MULTICUT 820

RH Outer Wing Gearbox Assembly - BONDIOLI

REF. NO	PART NO.	DESCRIPTION
	5770006	ASSEMBLY
2	5771401	COVER
3	5771423	SHIM SET
4	5771416	DIPSTICK
5	5771407	BOLT
6	2771408	WASHER
7	5771415	PLUG
8	5771420	GEAR SET
9	4771601	BEARING
10	2771129	CIRCLIP
11	4771600	BEARING
12	2771108	CIRCLIP
13	4771502	CAP
14	4771602	BEARING
15	5771406	SHIELD
16	4771500	SEAL
17	5771422	COLLET
18	2771600	CIRCLIP
19	5771409	NUT
20	5771410	WASHER
21	2770477	PIN
22	5771403F	SHAFT
23	4771501A	SEAL

Spearhead MULTICUT 820

LH Outer Wing Gearbox Assembly - Walterscheid



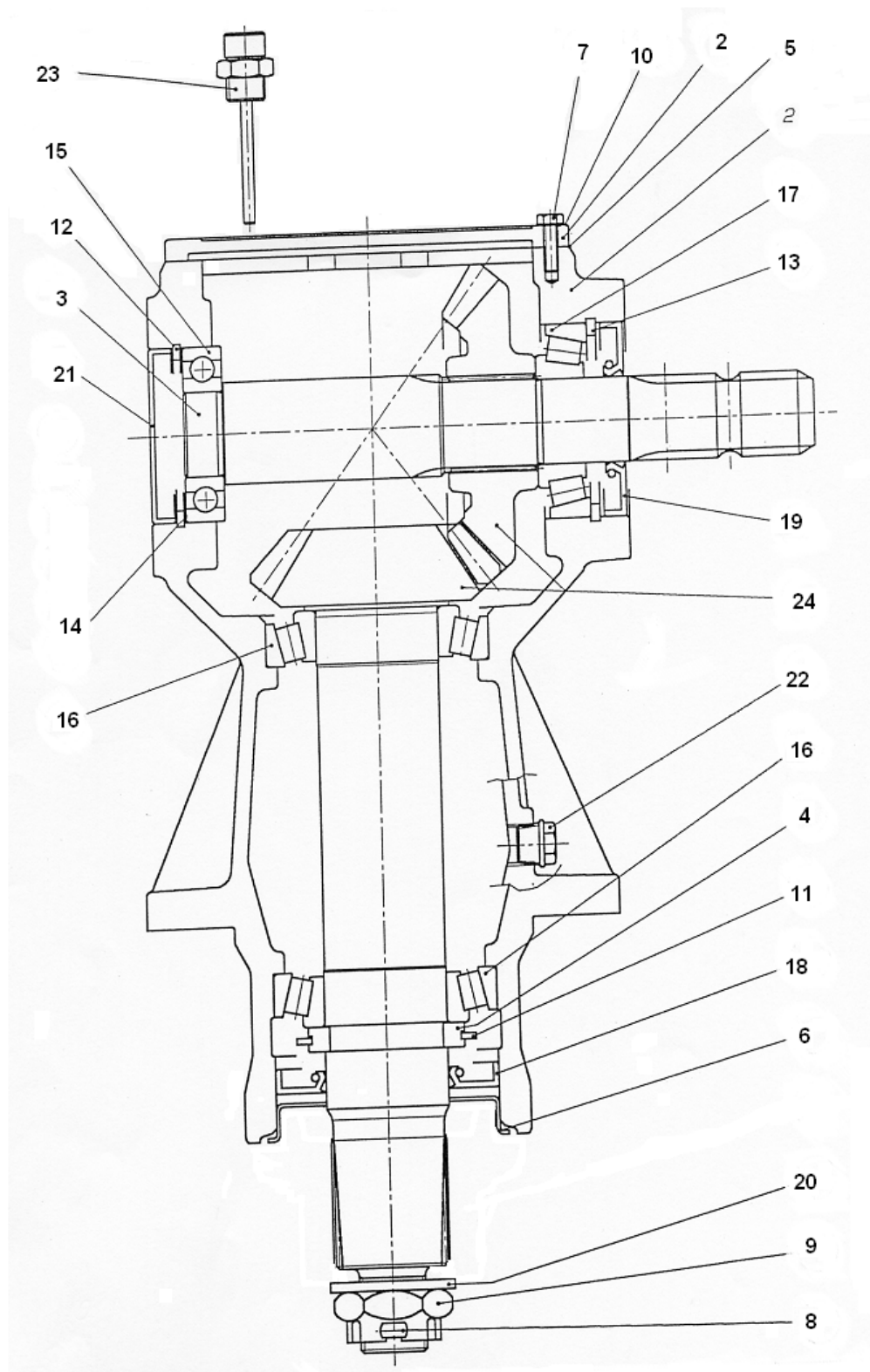
Spearhead MULTICUT 820

LH Outer Wing Gearbox Assembly - Walterscheid

REF. NO	PART NO.	DESCRIPTION
	5770413	ASSEMBLY
1	N/A	COVER
2	5770420.03	GEAR
3	N/A	SHIM
4	N/A	SHIM
5	N/A	SHIM
6	4771601	BEARING
7	5770413.01	INPUT SHAFT
8	4771124	SEAL
9	N/A	CIRCLIP
10	N/A	NUT
12	N/A	WASHER
13	N/A	SHIM
14	N/A	SHIM
15	N/A	SHIM
16	4771603	BEARING
17	N/A	HOUSING
18	5770420.05	OUTPUT SHAFT
19	4771602	BEARING
20	N/A	NUT
21	N/A	PIN
22	N/A	WASHER
24	5770420.01	SHIELD
25	5770420.02	SEAL
26	N/A	PLUG
27	4771600	BEARING
28	4771503	SEAL
29	5770420.06	DIPSTICK
30	N/A	BOLT
32	N/A	CIRCLIP
33	N/A	SHIM
34	N/A	SHIM
35	N/A	SHIM
36	5770420.07	GEAR
37	N/A	CIRCLIP
38	N/A	WASHER

Spearhead MULTICUT 820

LH Outer Wing Gearbox Assembly - BONDOLI



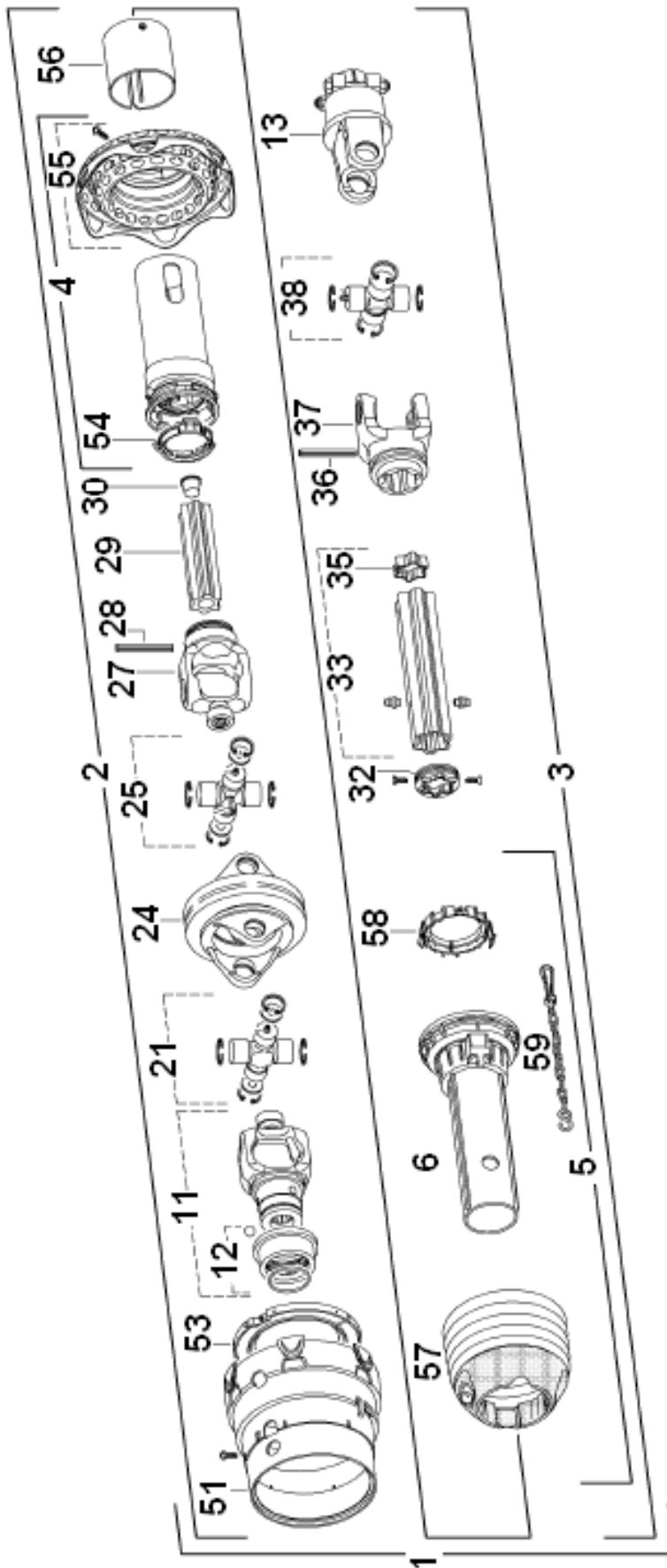
Spearhead MULTICUT 820

LH Outer Wing Gearbox Assembly - BONDIOLI

REF. NO	PART NO.	DESCRIPTION
	5770007	ASSEMBLY
2	5771401	COVER
3	5771403R	SHAFT
4	5771422	COLLET
5	5771401	LID
6	5771406	SHIELD
7	5771407	BOLT
8	2770477	PIN
9	5771409	NUT
10	2771408	WASHER
11	2771600	CIRCLIP
12	2771108	CIRCLIP
13	2771129	CIRCLIP
14	5771423	SHIM SET
15	4771600	BEARING
16	4771602	BEARING
17	4771601	BEARING
18	4771500	SEAL
19	4771124	SEAL
20	5771410	WASHER
21	4771503	CAP
22	5771415	PLUG
23	5771416	DIPSTICK
24	5771420	GEAR SET

Spearhead MULTICUT 820

Input P.T.O. Shaft Assembly Walterscheid



Spearhead MULTICUT 820

Input P.T.O. Shaft Assembly - Walterscheid

REF. NO	PART NO.	DESCRIPTION
1	5770440	ASSEMBLY
	5770440.01	FULL GUARD
2	N/A	HALF SHAFT
3	N/A	HALF SHAFT
4	5770440.02	HALF GUARD
5	5770440.03	HALF GUARD
11	5770440.04	YOKE
12	5770440.05	LOCKING COLLAR
13	5770440.06	OVERRUN CLUTCH
21	5770440.07	CROSS JOURNAL
24	5770440.08	CENTRE BODY
25	5770440.09	CROSS JOURNAL
26	N/A	HOSE
27	5770440.10	INNER YOKE
28	N/A	TENSION PIN
29	5770442.08	INNER TUBE
30	N/A	PLUG
32	N/A	SEALING RING
33	5770440.11	OUTER TUBE
35	N/A	PLUG
36	N/A	TENSION PIN
37	5770440.12	INNER YOKE
38	5770442.06	CROSS JOURNAL
51	N/A	WIDE ANGLE GUARD
53	5770440.14	BEARING RING
54	5770440.15	BEARING RING
55	N/A	GUARD
56	N/A	COVER
57	N/A	GUARD
58	5770440.13	BEARING RING
59	N/A	CHAIN

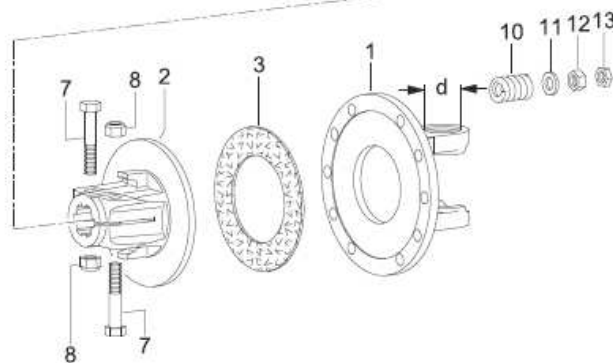
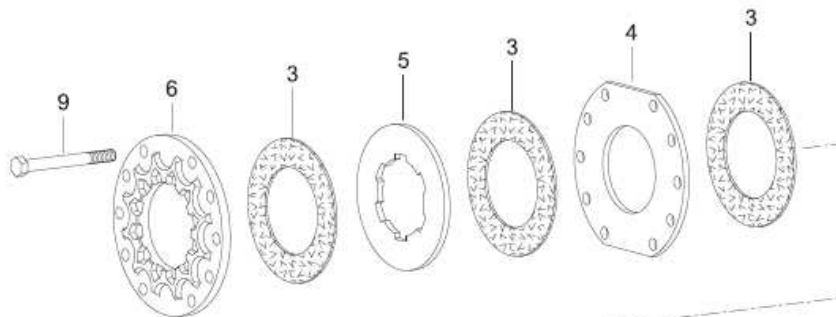
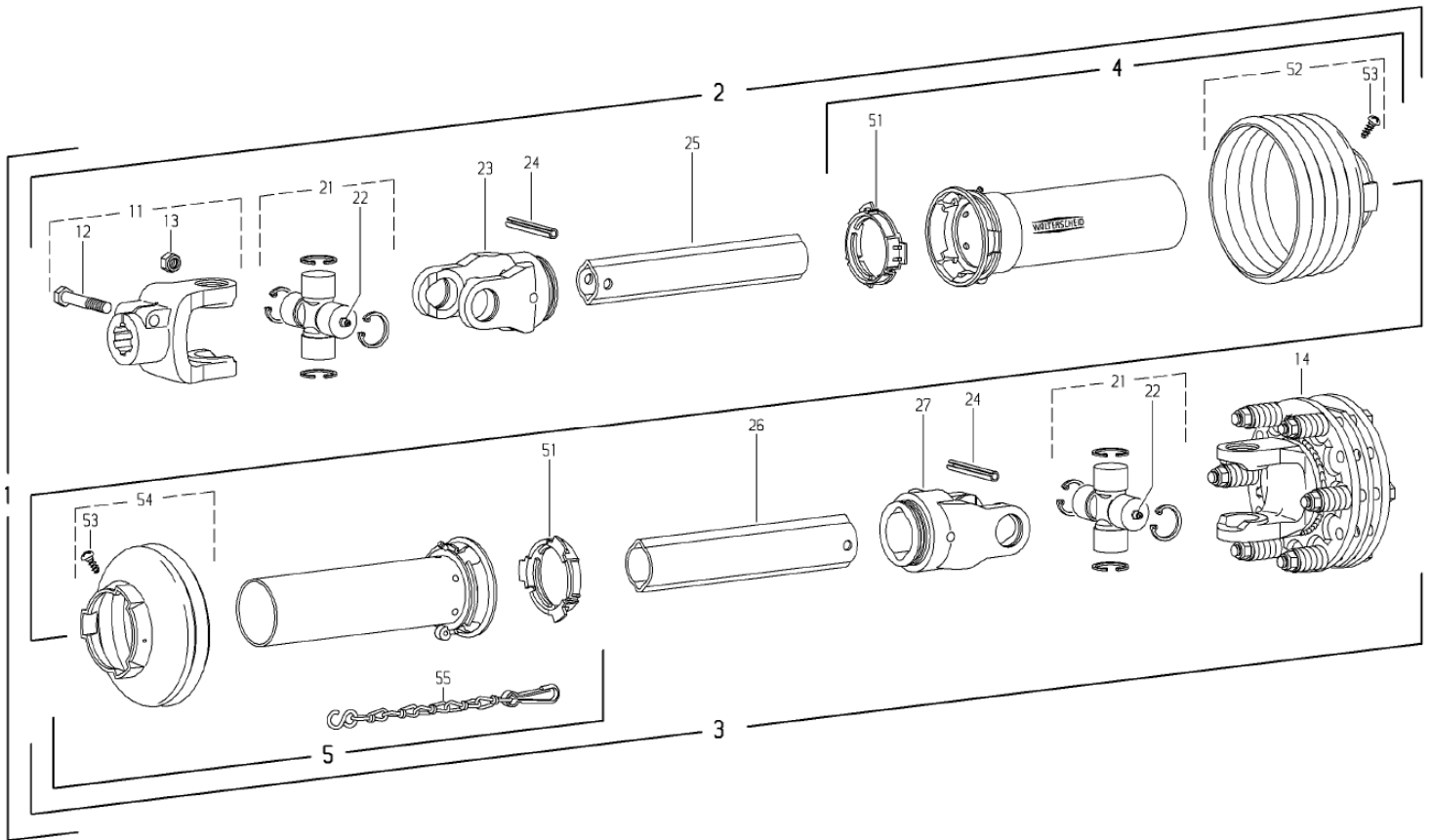
Spearhead MULTICUT 820

Input P.T.O. Shaft Assembly BONDIOLI

REF. NO	PART NO.	DESCRIPTION
	5770211	ASSEMBLY
1	5770211.01	YOKE 1 3/8 X 21 SPLINE
1	5770211.02	YOKE 1 3/4 X 20 SPLINE
2	5770211.03	UJ
3	5770211.04	YOKE
4	5770211.05	CENTRE BODY
5	5770211.06	ROLL PIN
6	5770211.07	OUTER TUBE
7	5770211.08	INNER TUBE
8	5770211.09	ROLL PIN
9	5770211.10	YOKE
10	5770211.11	OVERRUN CLUTCH
11	5770211.12	UJ
12	5770211.18	GUARD
13	5770211.13	OUTER BEARING RING
14	5770211.14	INNER BEARING RING
15	5770211.15	CHAIN
16	5770211.17	GUARD
17	5770211.16	TAPER PIN

Spearhead MULTICUT 820

Outer Wing Shaft Assembly - Walterscheid



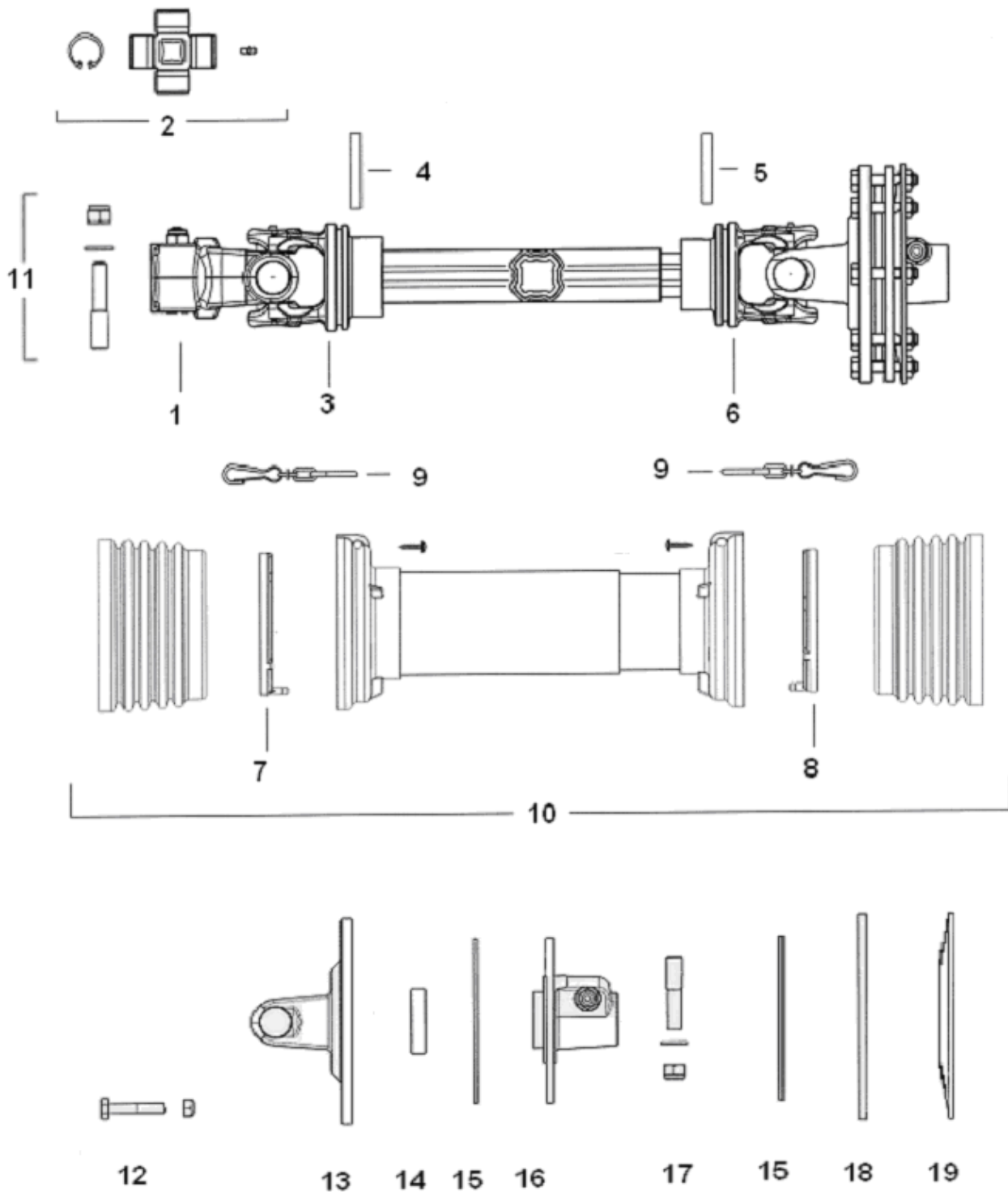
Spearhead MULTICUT 820

Outer Wing Shaft Assembly - Walterscheid

REF. NO	PART NO.	DESCRIPTION
1	5770443	ASSEMBLY
	5770443.01	FULL GUARD
2	N/A	HALF SHAFT
3	N/A	HALF SHAFT
4	5770443.02	OUTER GUARD
5	5770443.03	INNER GUARD
11	5770443.04	CLAMP YOKE
12	N/A	BOLT
13	N/A	NUT
14	5770443.05	FRICTION CLUTCH
21	5770441.12	CROSS JOURNAL
22	N/A	GREASE NIPPLE
23	5770443.06	YOKE
24	N/A	TENSION PIN
25	5770443.07	INNER TUBE
26	5770443.08	OUTER TUBE
27	5770443.09	YOKE
51	5770440.15	BEARING RING
52	N/A	GUARD
53	N/A	SCREW
54	N/A	GUARD
55	N/A	CHAIN
1	5770442.12	FLANGE YOKE
2	5770445.02	HUB
3	5770441.03	FRICTION LINNING
4	5770445.03	PLATE
5	5770445.04	PLATE
6	5770441.04	THRUST PLATE
7	5770441.05	BOLT
8	5770441.06	NUT
9	5770445.05	BOLT
10	5770441.08	SPRING
11	5770441.09	WASHER
12	5770441.10.	NUT

Spearhead MULTICUT 820

Outer Wing Shaft Assembly - BONDIOLI



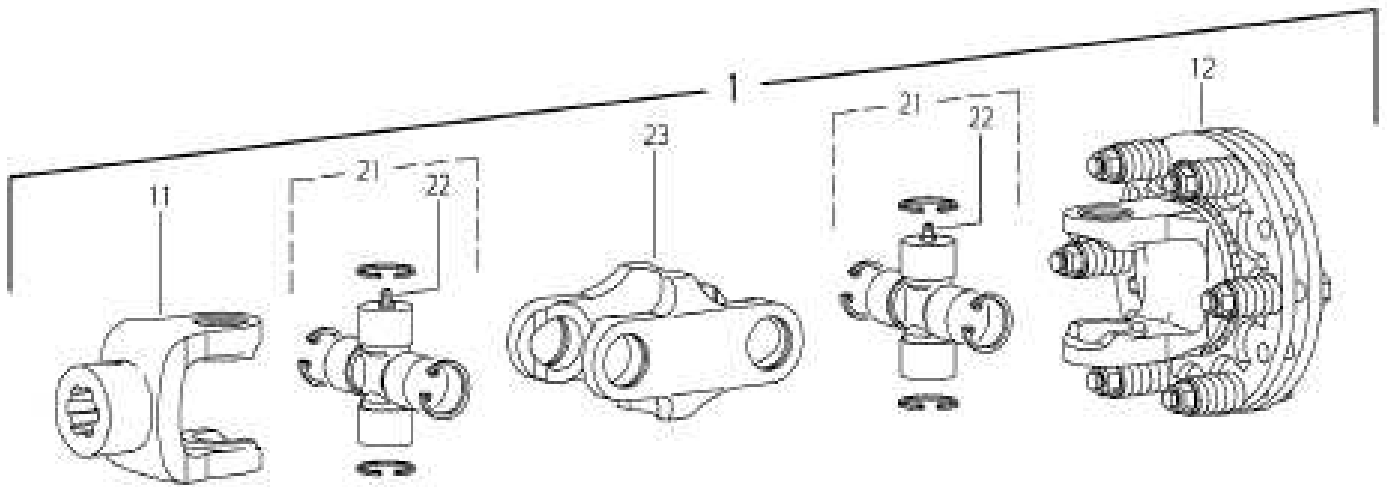
Spearhead MULTICUT 820

Outer Wing Shaft Assembly- BONDIOLI

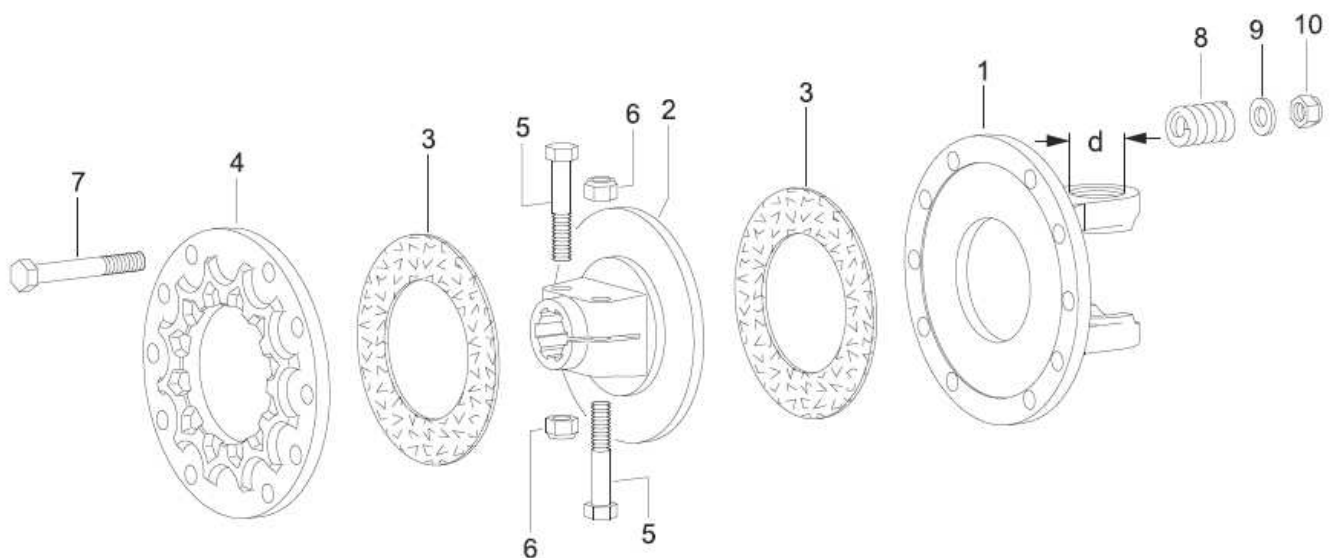
REF. NO	PART NO.	DESCRIPTION
	5770214	ASSEMBLY
1	5771310	YOKE
2	5770140	UJ
3	5770146	YOKE
4	5770144	ROLL PIN
5	5770143	ROLL PIN
6	5770145	YOKE
7	5771330	OUTER BEARING RING
8	5771331	INNER BEARING RING
9	5792146/13	CHAIN
10	5771333	GUARD
11	5770214/1	TAPER PIN
12		BOLT
13	5770043/4	FLANGE
14	5771319	BUSH
15	5771328	FRICTION LINING
16	5770158	HUB
17	5771322A	TAPER PIN
18	5770135	PLATE
19	5770136	SPRING

Spearhead MULTICUT 820

Centre Coupling Assembly - Walterscheid



Clutch Assembly - Walterscheid



Spearhead MULTICUT 820

Centre Coupling Assembly - Walterscheid

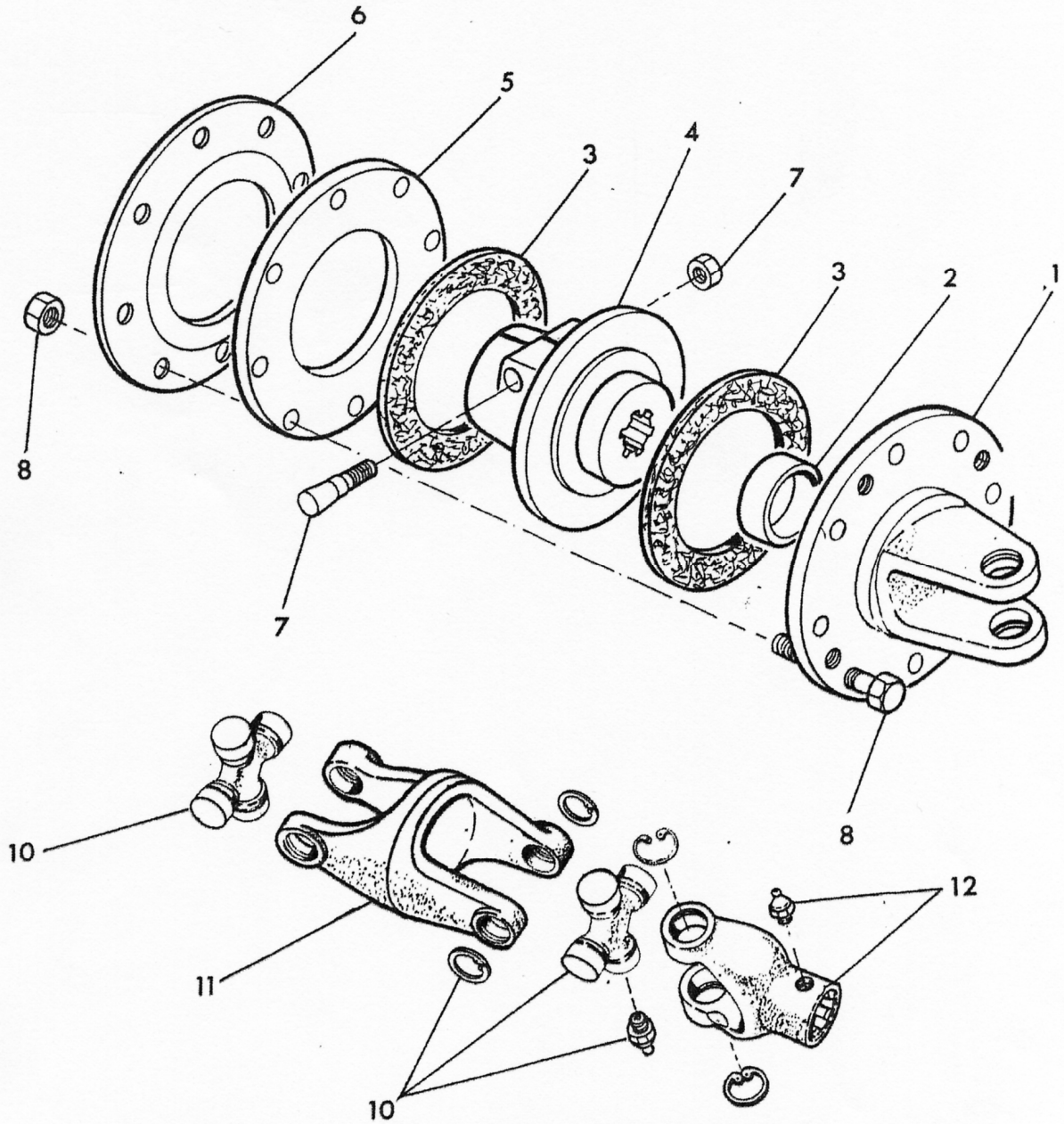
REF. NO	PART NO.	DESCRIPTION
1	5770441	ASSEMBLY
11	5770441.13	YOKE 20 SPLINE
12	5770441.11	CLUTCH
21	5770441.12	CROSS JOURNAL
23	5770445.06	JOINT (BACK TO BACK)

Clutch Assembly - Walterscheid

REF. NO	PART NO.	DESCRIPTION
1	5770441.01	YOKE
2	5770441.02	HUB – 20 SPLINE
3	5770441.03	CLUTCH PLATE
4	5770441.04	PLATE
5	5770441.05	BOLT
6	5770441.06	NUT
7	5770441.07	BOLT
8	5770441.08	SPRING
9	5770441.09	WASHER
10	5770441.10	NUT

Spearhead MULTICUT 820

Centre Coupling Assembly - BONDIOLI



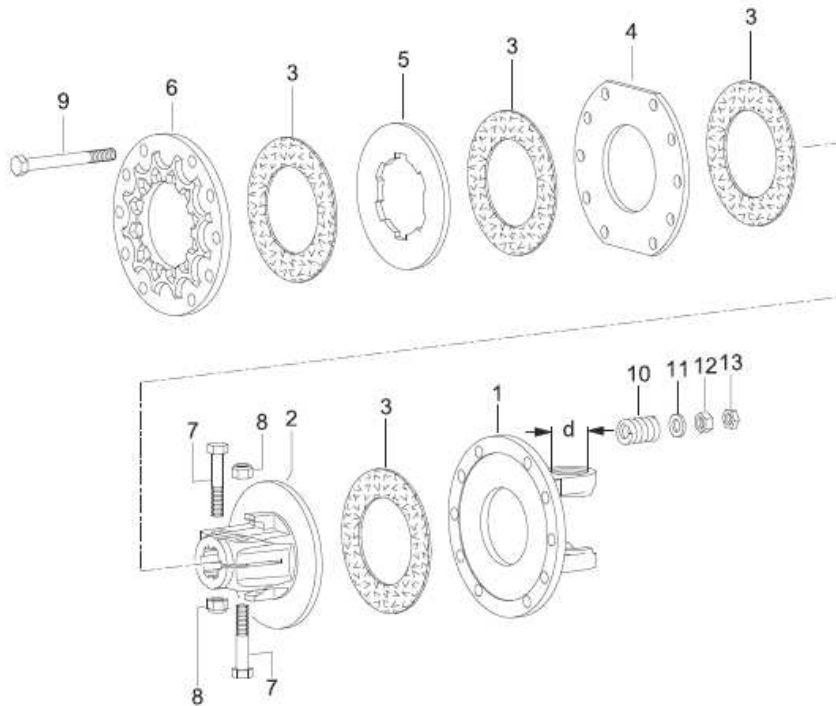
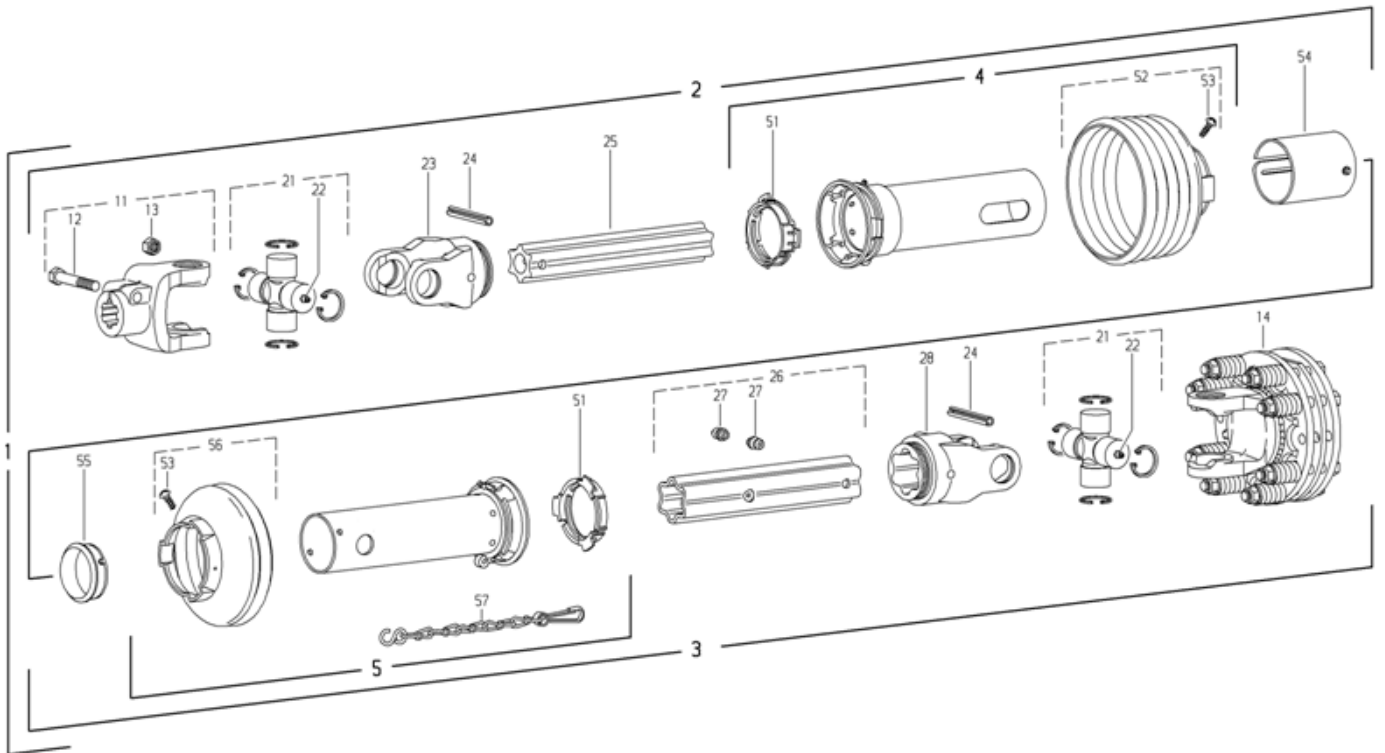
Spearhead MULTICUT 820

Centre Coupling Assembly - BONDIOLI

REF. NO	PART NO.	DESCRIPTION
	5770043	ASSEMBLY
1	5770043/4	YOKE
2	5771319	BUSH
3	5771328	CLUTCH PLATE
4	5770043/3	HUB - 20 SPLINE
5	5770135	PLATE (INNER)
6	5770136	SPRING
7	5770043/2	PIN
8	5770138	BOLT
10	5770140	CROSS JOURNAL
11	5770132	JOINT (BACK TO BACK)
12	5770043/1	20 SPLINE YOKE

Spearhead MULTICUT 820

Inner Wing Shaft Assembly - Walterscheid



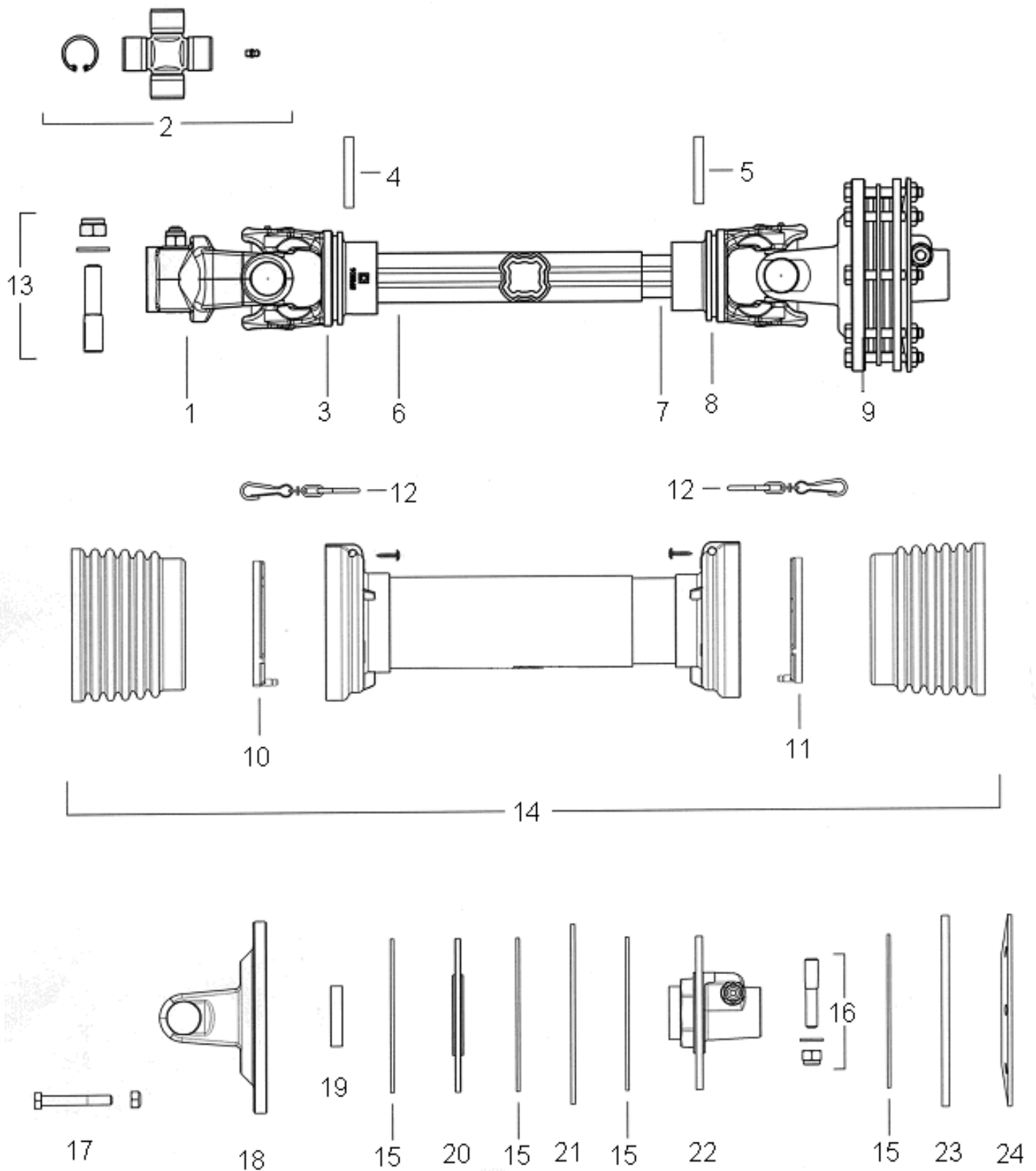
Spearhead MULTICUT 820

Inner Wing Shaft Assembly - Walterscheid

REF. NO	PART NO.	DESCRIPTION
1	5770442	ASSEMBLY
	5770442.01	FULL GUARD
2	N/A	
3	N/A	
4	5770442.02	HALF GUARD
5	5770442.03	HALF GUARD
11	5770442.04	YOKE
12	N/A	BOLT
13	N/A	NUT
14	5770442.05	CLUTCH ASSEMBLY
21	5770442.06	CROSS JOURNAL
22	N/A	GREASE NIPPLE
23	5770442.07	INNER YOKE
24	N/A	TENSION PIN
25	5770442.08	INNER TUBE
26	5770442.09	OUTER TUBE
27	N/A	GREASE NIPPLE
28	5770444.10	INNER YOKE
51	5770440.15	BEARING RING
52	N/A	GUARD
53	N/A	SCREW
54	5770442.11	COVER
55	N/A	BEARING RING
56	N/A	GUARD
57	N/A	CHAIN
1	5770442.12	FLANGE YOKE
2	5770445.02	HUB
3	5770441.03	FRICTION LINNING
4	5770445.03	PLATE
5	5770445.04	PLATE
6	5770441.04	THRUST PLATE
7	5770441.05	BOLT
8	5770441.06	NUT
9	5770445.05	BOLT
10	5770441.08	SPRING
11	5770441.09	WASHER
12	5770441.10.	NUT

Spearhead MULTICUT 820

Inner Wing Shaft Assembly - BONDIOLI



Spearhead MULTICUT 820

Inner Wing Shaft Assembly - BONDIOLI

REF. NO	PART NO.	DESCRIPTION
	5770213	ASSEMBLY
1	5770213/1	YOKE
2	5770213/2	UJ
3	5770213/3	YOKE
4	N/A	ROLL PIN
6	5770213/4	OUTER TUBE
7	5770213/5	INNER TUBE
5	N/A	ROLL PIN
8	5792162/7	YOKE
9	5770213/6	CLUTCH
10	5792162/11	OUTER BEARING RING
	N/A	SCREW
11	5792162/13	INNER BEARING RING
12	5792162/14	CHAIN
13	5770213/11	TAPER PIN
14	5770213/10	GUARD
15	5771328	FRICITION LINING
16	5771322A	TAPER PIN
17	5772629B	BOLT
18	5770213/12	YOKE PLATE
19	5771319	BUSH
20	5770213/7	PLATE
21	5770213/8	PLATE
22	5770213/9	HUB
23	5770135	PLATE
24	5770136	SPRING

Spearhead MULTICUT 820

Decals & Safety Warnings



1



2



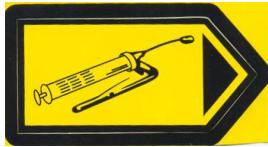
3



4



5



6



7



8



9



10



11



12



13



14



15



16



17

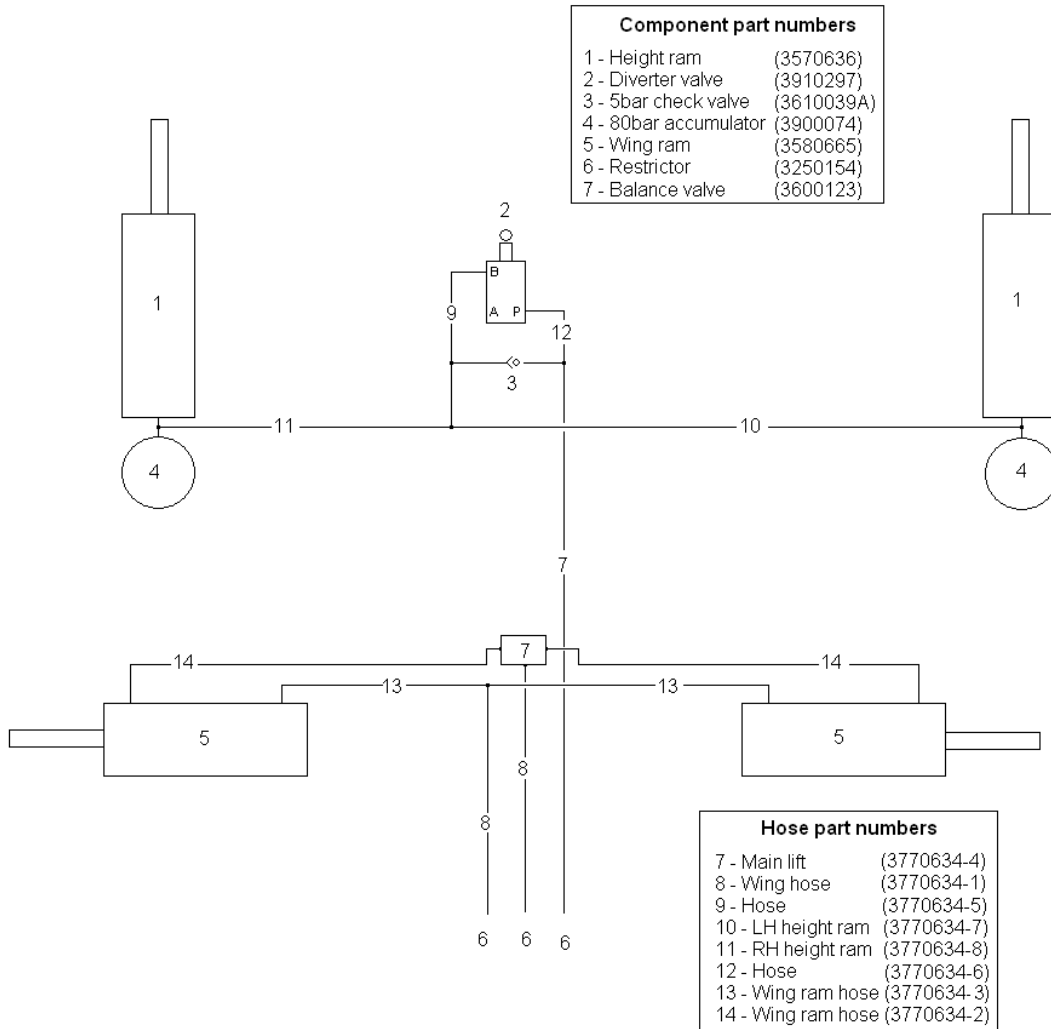
Spearhead MULTICUT 820

Decals & Safety Warnings

REF. NO	PART NO.	DESCRIPTION
	S180000.10	MODEL DECAL KIT
1	8770363	READ MANUAL
2	8770367	READ MANUAL DK
3	8770342	LIFT POINT
4	8770307	GB
5	8770381	HEIGHT GUIDE
6	8770322	GREASE POINT
7	8770340	READ MANUAL
8	8770323	1000 PTO
9	8770361	MOVING BLADES
10	8770306	KEEP BOLTS TIGHT
11	8770355	RAM STOP
12	8770362	HIGH PRESSURE FLUID
13	8770356	MOVING PARTS
14	8770357	KEEP YOUR DISTANCE
15	8770360	MOVING BLADES
16	8770368	DANGER UNPROPED
17	8770358	REMOVE KEY

Spearhead MULTICUT 820

Hydraulic Hose Layout



Spearhead MULTICUT 820
