

Spearhead

MULTICUT 420



Edition 2.0 – April 2013
Part No. 8999021

PARTS MANUAL

Spearhead[®]



Multicut 420

Parts Book

2.0 Edition – April 2013

Parts Department

Spearhead Machinery

Green View,

Salford Priors,

Evesham,

Worcestershire,

WR11 8SW

Tel: 01789 491860

Fax: 01789 778683

snel@spearheadmachinery.com

www.spearheadmachinery.com

© Spearhead Machinery Limited 2007

Spearhead Multicut 420

Contents

Ordering Your Parts	4
Main Frame	5
Wing Assembly	9
Splitter Gearbox	11
Centre Rotor Gearbox	13
Wing Gearbox	15
Input PTO	17
Wing Shaft	19
Centre Coupling	21

Spearhead Multicut 420

Ordering Parts

When ordering parts please refer to your parts list to help your dealer with your order.

Part number and quantity
Description
Machine model number
Serial number of the machine
Delivery instructions (e.g. next day).

Delivery is normally via carrier direct to your dealer. Please check with your dealer for stock availability and arrangement of dispatch. Ensure you or your dealer has sufficient cover for parts requirement outside factory hours.

When ordering your ram seal kits please quote both codes stamped on the base of the cylinder.

Important Note

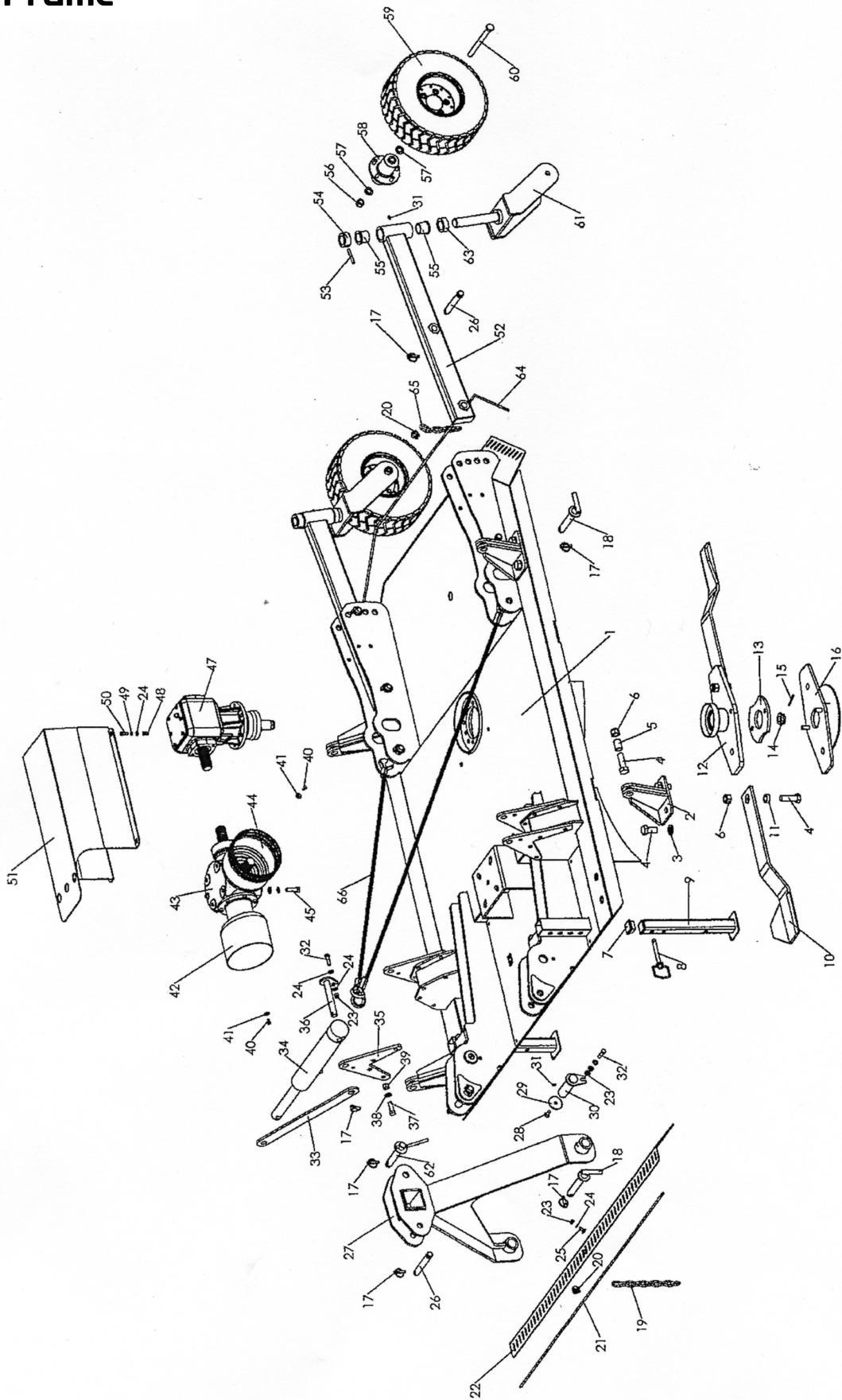
The information contained in this manual is correct at the time of publication. However, in the course of constant development, changes in specification are inevitable. Should you find the information given in this book different to the machine it relates to, please contact the "After Sales Department" for advise.

Key:

(LH) = Left hand
(RH) = *Right hand*

Spearhead Multicut 420

Main Frame



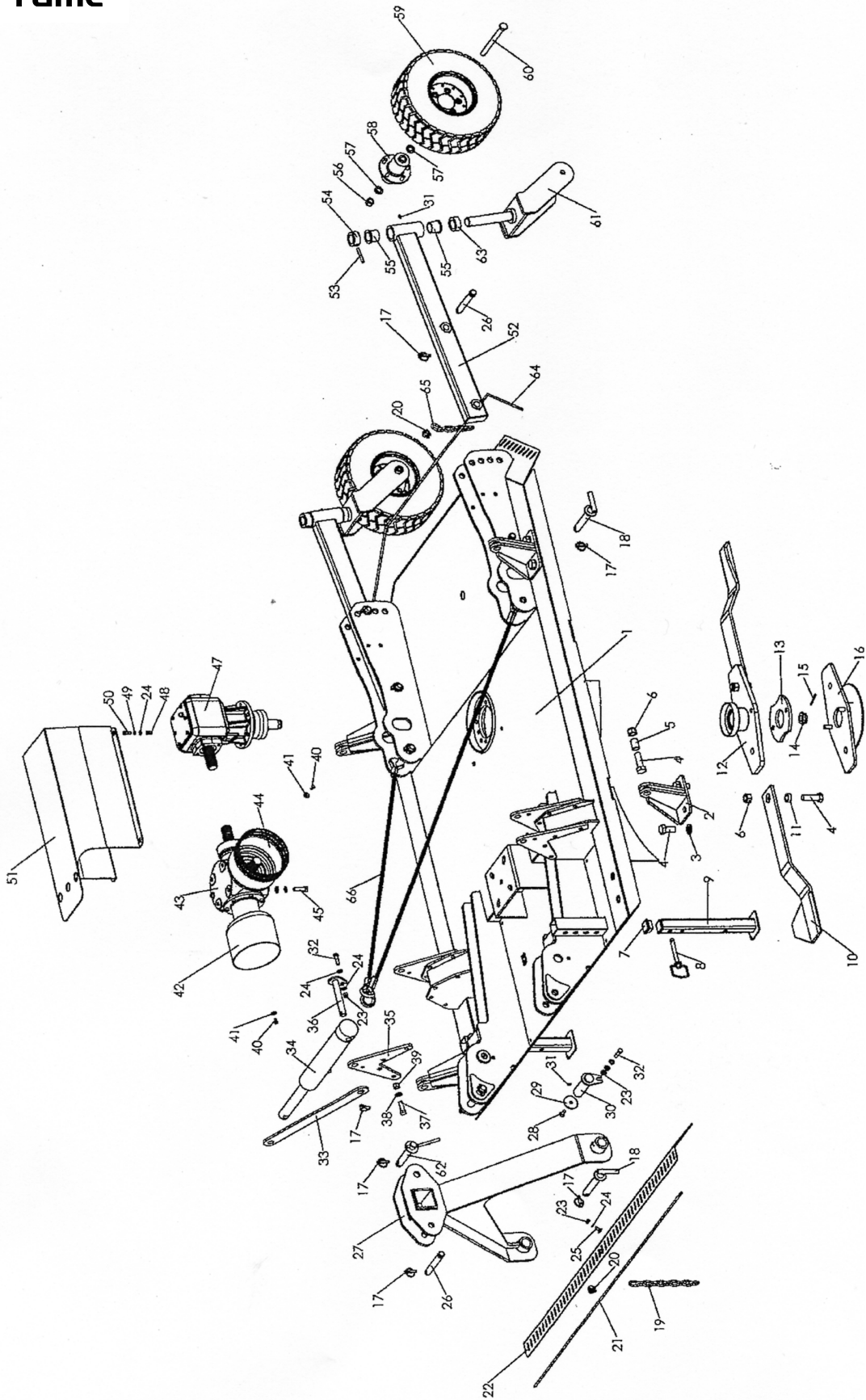
Spearhead Multicut 420

Main Frame

Ref. No	Part No.	Description
1	1800067	CENTRE DECK
2	1800096	HINGE BRACKET
3	2770464	WASHER
4	2770413	BOLT
5	1800099	BUSH
6	2770414	LOCKNUT
7	8777518	CAP
8	6310220	PIN
9	1777870	LEG
10	7770719	LH BLADE 29.5"
11	7770707	BUSH
12	1800083	UPPER TWIN BLADE CARRIER (2)
	1800064	UPPER TRIPLE BLADE CARRIER (3)
13	1770396	SPACER (2)
	1770604-3	SPACER (3)
14	00771226	NUT
15	2770512	SPLIT PIN
16	1800095	LOWER TWIN BLADE CARRIER
	1800063	LOWER TRIPLE BLADE CARRIER
17	00.372.01	LYNCH PIN
18	07.574.01	PIN
19	8770625	10 LINK CHAIN
20	6770907	CLAMP
21	6770941.01	WIRE ROPE
22	1800068	FRONT CHAIN GUARD
23	2770417	LOCKNUT
24	2770436	WASHER
25	2770258	BOLT
26	6310235	PIN
27	1800070	HEADSTOCK
28	2770506	SCREW
29	1777208	WASHER 65MM
30	1777976	PIN
31	2770467	GREASE NIPPLE
32	2770397	BOLT
33	1800098	TRANSPORT STAY
34	3570634	RAM
	3570661W	SEAL KIT
	3570658	BREATHER

Spearhead Multicut 420

Main Frame



Spearhead Multicut 420

Main Frame

Ref. No	Part No.	Description
35	1800097	RAM PLATE
36	1800092	PEAR PIN
37	2770423	BOLT
38	2770454	WASHER
39	2770447	LOCKNUT
40	2770401	BOLT
41	2770244	WASHER
42	47141.01	CONE C/W WINDOW
43	5770405	SPLITTER GEARBOX
44	5770129	Q/R COVER
45	05.256.44	BOLT
46		
47	5770406	CENTRE ROTOR GEARBOX
48	2770203	M10 RIVNUT
49	2770469	WASHER
50	2770407	BOLT
51	1800069	CLUTCH COVER
52	1770401A	WHEEL ARM
53	2770411	BOLT
54	1777700	COLLAR
55	4600127-A	BUSH
56	2770409	LOCKNUT
57	2770517	WASHER
58	6770676	WHEEL HUB
59	6770685	WHEEL ASSEMBLY
60	2770624	BOLT
61	1800094	WHEEL YOKE
62	6310208	LOWER LINK PIN
63	1777524	SPACER
64	6770941.02	WIRE ROPE
65	8770621	CHAIN 6 LINK
66	6770942	WIRE ROPE

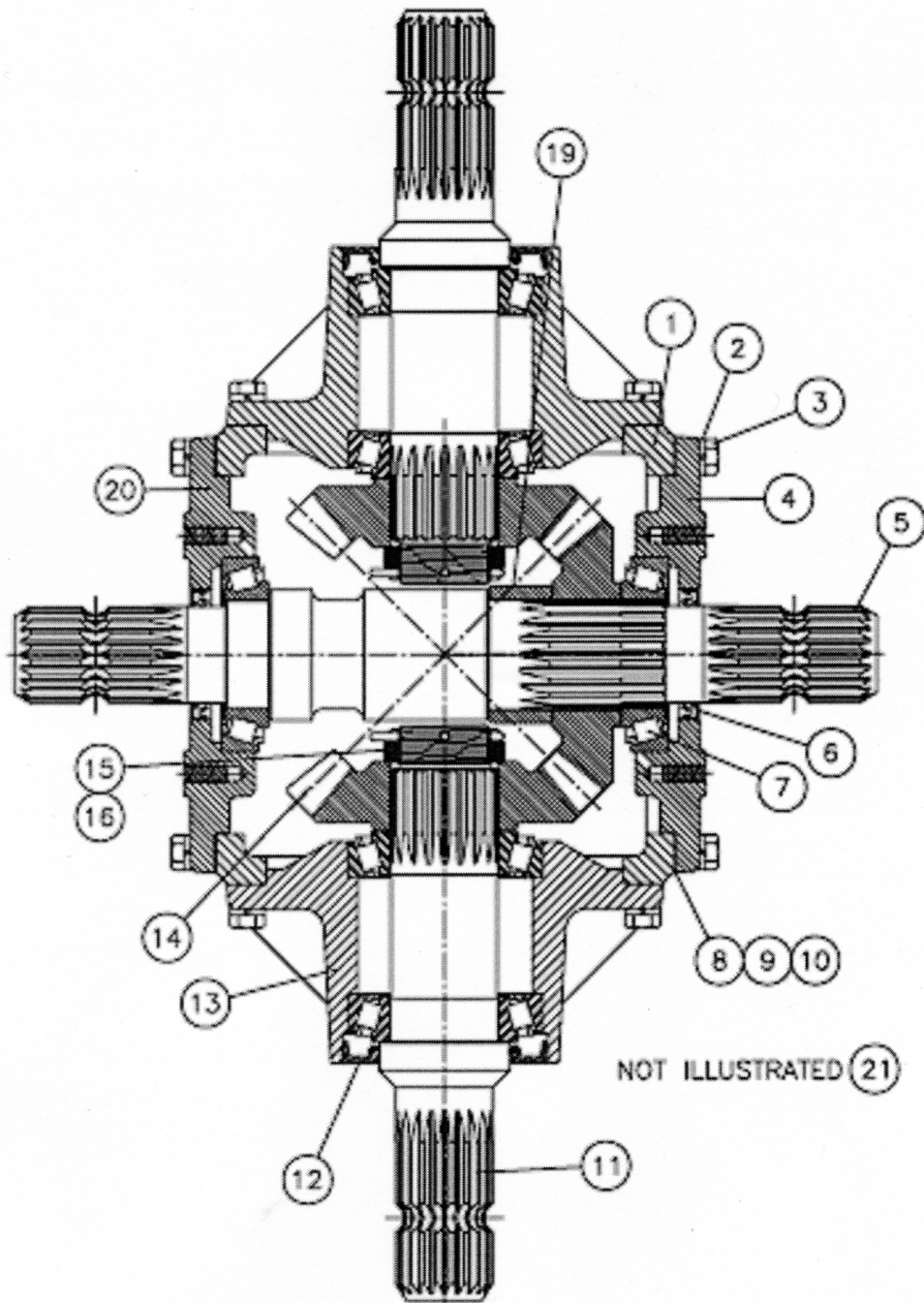
Spearhead Multicut 420

Wing Assembly

Ref. No	Part No.	Description
13	2770467	GREASE NIPPLE
14	2770443	BOLT
15	2770436	WASHER
16	2770417	LOCKNUT
17	1560131	BUSH
18	6310235	PIN
19	2770454	WASHER
20	2770447	LOCKNUT
21	2770472	BOLT
22	1800078	LH ADJUSTABLE SKID
	1800074	RH ADJUSTABLE SKID
23	1800075	WEAR SKID
24	1800095	LOWER TWIN BLADE CARRIER (2)
	1800063	LOWER TRIPLE BLADE CARRIER (3)
25	1770396	SPACER
	1770604-3	SPACER
26	1800083	UPPER TWIN BLADE CARRIER (2)
	1800064	UPPER TRIPLE BLADE CARRIER (3)
27	7770703	LH BLADE 23"
	7770702	RH BLADE 23"
28	2770512	SPLIT PIN
29	00771226	NUT
30	2770413	BOLT
31	7770707	SPACER
32	2770414	LOCKNUT
33	2770509	SCREW
34	2770421	BOLT
35	8770625	10 LINK CHAIN
36	8770621	6 LINK CHAIN
37	6770941.03	WIRE ROPE
38	1800077	WING CHAIN GUARD
39	6310206	LYNCH PIN
40	1800093	PIN
41	1777209	WASHER 40MM
42	5770407	GEARBOX
43	47141.01	CONE C/W WINDOW
44	2770401	BOLT
45	2770244	WASHER
46	2770423	BOLT
47	2770258	BOLT
48	6770907	CLAMP
49	6770941.04	WIRE ROPE

Spearhead Multicut 420

Splitter Gearbox 5770405



Spearhead Multicut 420

Splitter Gearbox

Ref. No	Part No.	Description
1	N/A	HOUSING
2	00755954	SPRING WASHER
3	00758859	BOLT
4	00762516	COVER
5	00762518	THROUGH SHAFT
6	00758653	OIL SEAL
7	00769938	BEARING
8	00758646	SHIM
9	00758647	SHIM
10	00758648	SHIM
11	00762522	SHAFT
12	00762521	OIL SEAL
13	00762520	COVER
14	00758695	GEAR 17 T
15	00762121	NUT
16	00770421	COTTER PIN
17	00769321	SEALING WASHER
18	00762517	LEVEL PLUG
19	00758657	SPACER
20	N/A	COVER
21	00762114	PLUG/VENT

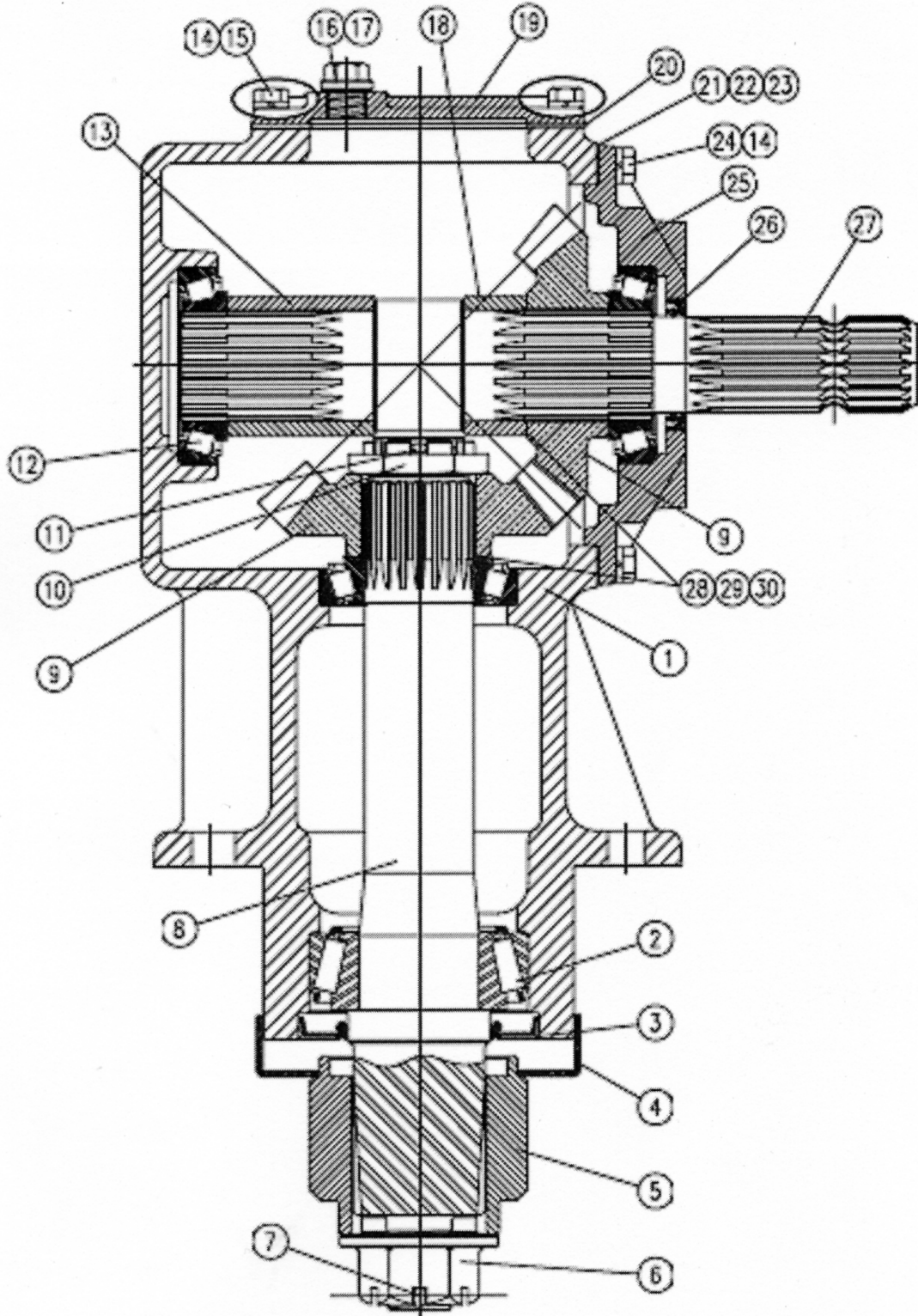
Spearhead Multicut 420

Centre Rotor Gearbox

Ref. No	Part No.	Description
1	N/A	HOUSING
2	00779329	BEARING
3	00770726	OIL SEAL
4	00770727	SHIELD
5	00771227	HUB
6	00771226	NUT
7	01422506	COTTER PIN
8	00770728	OUTPUT SHAFT
9	00759488	GEAR 17 T
10	00762121	NUT
11	00770421	COTTER PIN
12	00769938	BEARING
13	00770731	SPACER
14	00755954	SPRING WASHER
15	00754338	SCREW
16	00762114	PLUG/VENT
17	00769321	WASHER
18	00758657	INPUT
19	00770732	COVER
20	00770733	GASKET
21	00758646	GASKET 0.10
22	00758647	GASKET 0.25
23	00758648	GASKET 0.50
24	00758859	SCREW
25	00770734	COVER
26	00758653	OIL SEAL
27	00770735	INPUT SHAFT
28	00759487	GEAR 14T
29	00758667	SHIM 0.30
30	00762153	SHIM 0.40
31	00758668	SHIM 0.50
32	00777855	BREATHER
35	00774064	SPACER

Spearhead Multicut 420

Wing Gearbox 5770407



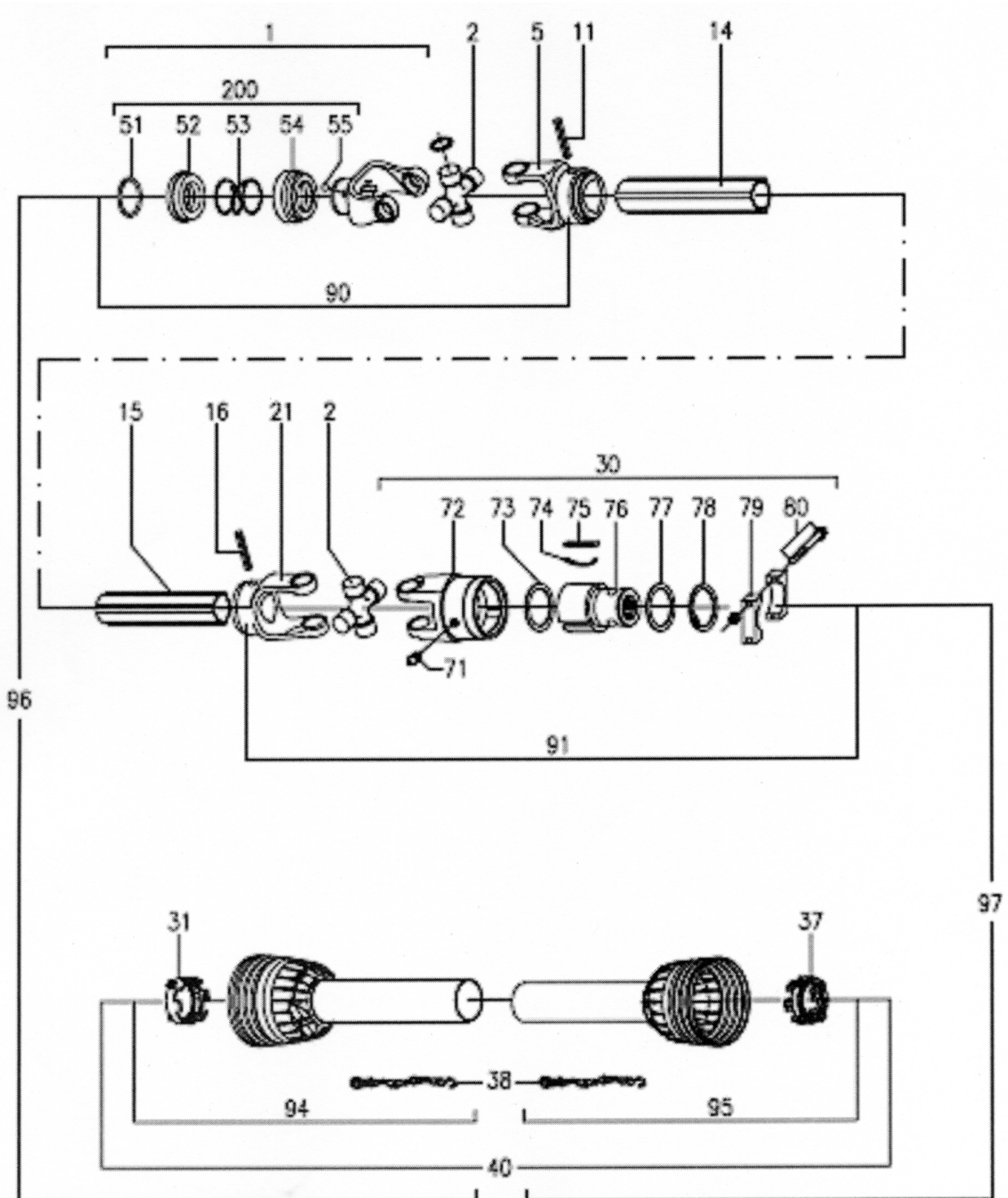
Spearhead Multicut 420

Wing Gearbox

Ref. No	Part No.	Description
1	N/A	HOUSING
2	00779329	BEARING 33211
3	00770726	OIL SEAL
4	00770727	SHIELD
5	00771227	HUB
6	00771226	NUT
7	01422502	COTTER PIN
8	00770728	OUTPUT SHAFT
9	00773412	GEAR 17T
10	00762121	NUT
11	00770421	COTTER PIN
12	00769938	BEARING
13	00770731	SPACER
14	00755954	SPRING WASHER
15	00754338	BOLT
16	00762114	PLUG/VENT
17	00769321	WASHER
18	00758657	SPACER
19	00770732	COVER
20	00770733	GASKET
21	00758646	SHIM 0.10
22	00758647	SHIM 0.25
23	00758648	SHIM 0.50
24	00758859	BOLT
25	00770734	COVER
26	00758653	SEAL
27	00770735	INPUT SHAFT
28	00758667	SHIM 0.30
29	00762153	SHIM 0.40
30	00758668	SHIM 0.50
31	00777855	BREATHER

Spearhead Multicut 420

Input PTO 5770408



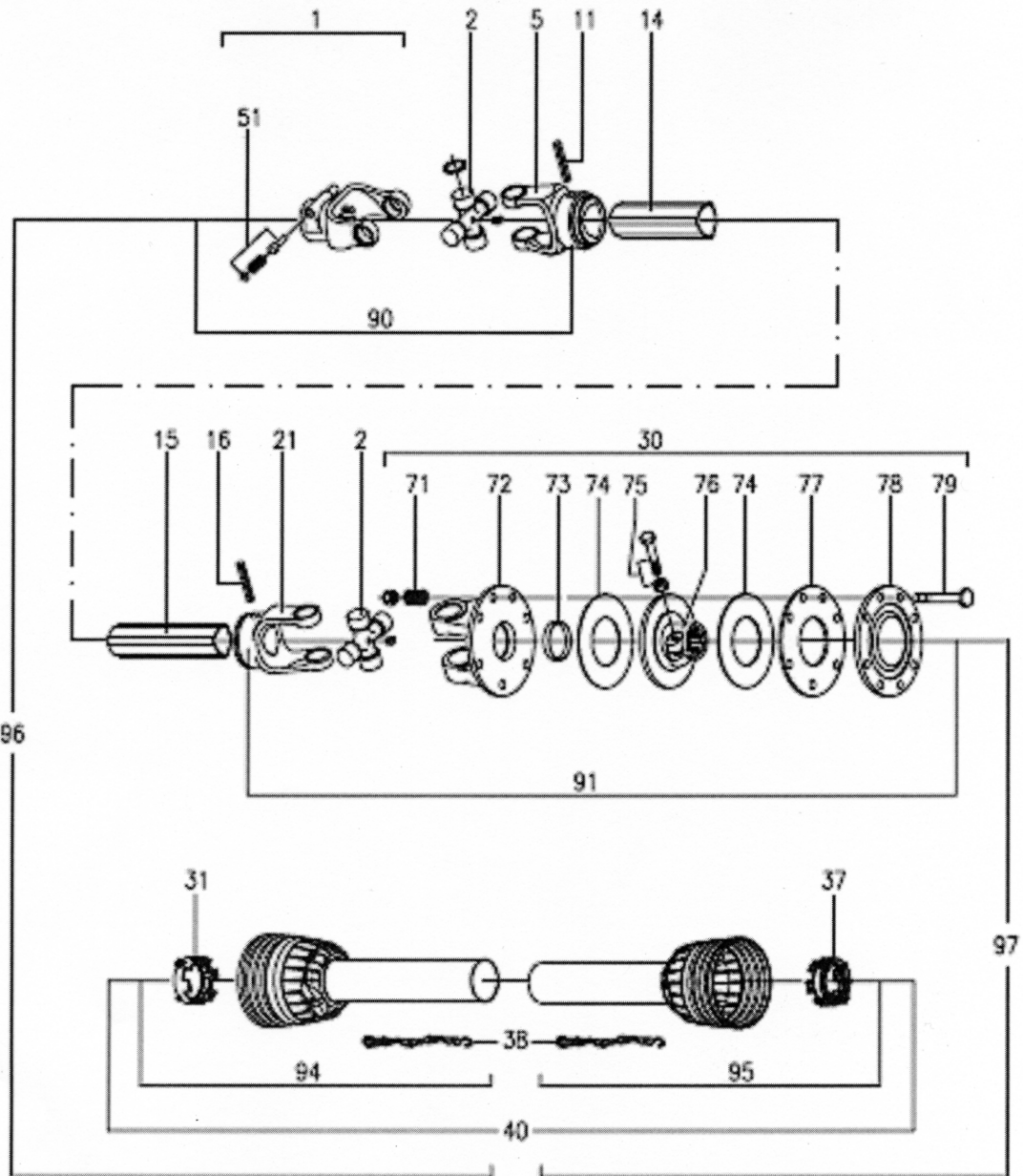
Spearhead Multicut 420

Input PTO

Ref. No	Part No.	Description
1	5770408.01	YOKE
2	5770408.02	CROSS JOURNAL
5	5770408.03	OUTER YOKE
11	5770408.04	ROLL PIN
14	5770408.05	OUTER TUBE
15	5770408.06	INNER TUBE
16	5770408.07	ROLL PIN
21	5770408.08	INNER YOKE
30	5770408.09	OVERRUN CLUTCH ASSEMBLY
31	5770408.10	BEARING RING OUTER
37	5770408.11	BEARING RING INNER
38	5770408.12	CHAINS
40	5770408.13	COMPLETE GUARD
79	5770408.14	BRIDGE
80	5770408.15	BOLT
200	5770408.16	COLLAR KIT

Spearhead Multicut 420

Wing Shaft 5770410



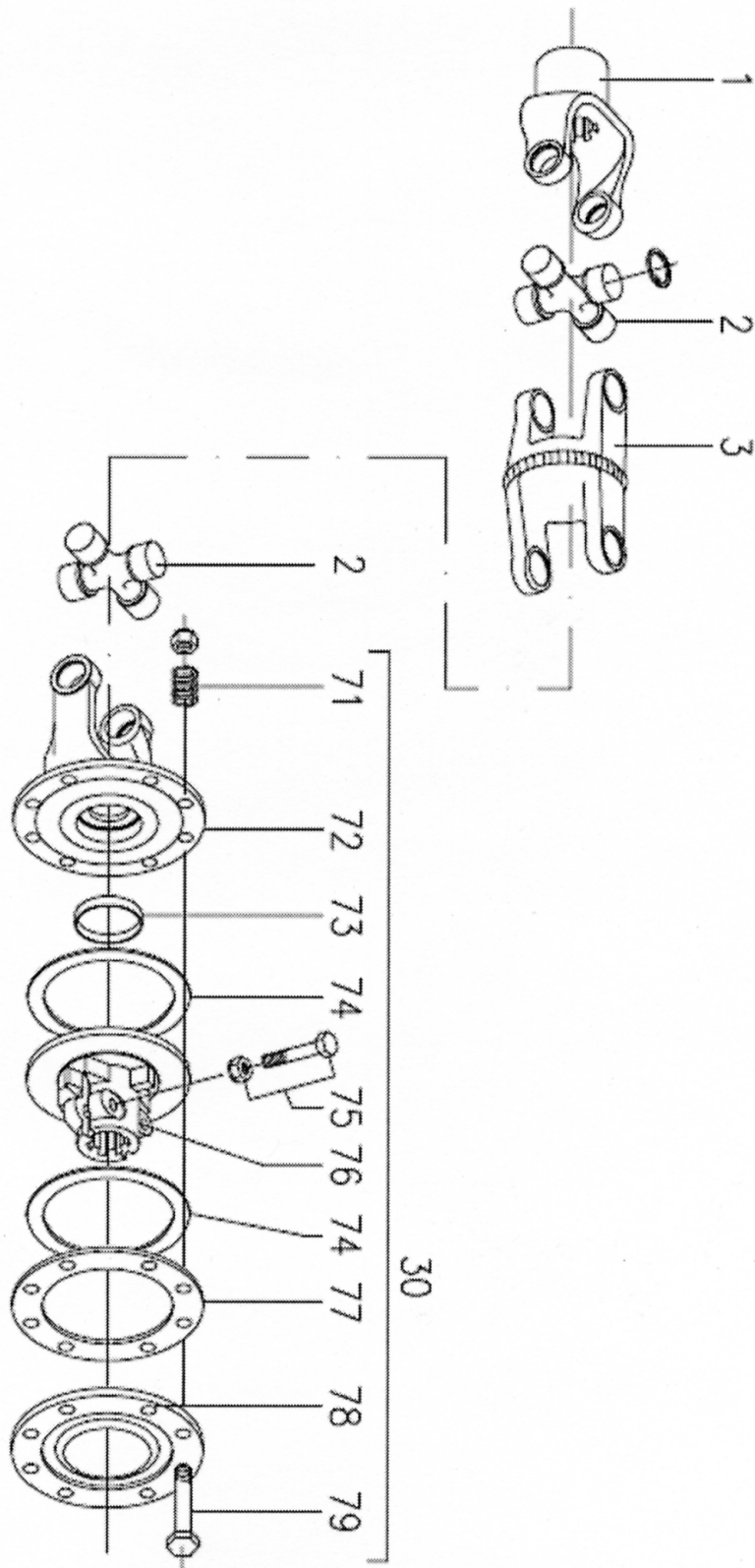
Spearhead Multicut 420

Wing Shaft

Ref. No	Part No.	Description
1	5770410.01	PUSH PIN YOKE
2	5770410.02	CROSS JOURNAL
5	5770410.03	OUTER YOKE
11	5770410.04	ROLL PIN
14	5770410.05	OUTER TUBE
15	5770410.06	INNER TUBE
16	5770410.07	ROLL PIN
21	5770410.08	INNER YOKE
30	5770410.09	CLUTCH ASSEMBLY
31	5770410.10	BEARING RING OUTER
37	5770410.11	BEARING RING INNER
38	5770408.12	CHAIN
40	5770410.13	COMPLETE GUARD
51	5770410.14	PUSH PIN
71	5770410.15	SPRING
72	5770410.16	FLANGE YOKE
73	5770410.17	BUSH
74	5770410.18	LINING
75	5770410.19	BOLT
76	5770410.20	HUB
77	5770410.21	INNER PLATE
78	5770410.22	PRESSURE PLATE
79	5770410.23	BOLT
90	N/A	N/A
91	N/A	N/A
94	N/A	N/A
95	N/A	N/A
96	N/A	N/A
97	N/A	N/A

Spearhead Multicut 420

Centre Coupling 5770409



Spearhead Multicut 420

Centre Coupling

Ref. No	Part No.	Description
1	5770409.01	YOKE 1 3/8 X 6 SPLINE
2	5770409.02	CROSS JOURNAL
3	5770409.03	DOUBLE YOKE
30	5770409.04	CLUTCH ASSEMBLY
71	5770410.15	SPRING
72	5770410.16	FLANGED YOKE
73	5770410.17	BUSH
74	5770410.18	LINING
75	5770410.19	BOLT
76	5770410.20	HUB 1 3/4 20 SPLINE
77	5770410.21	INNER PLATE
78	5770410.22	PRESSURE PLATE
79	5770414.23	BOLT

Spearhead Machinery
Green View,
Salford Priors,
Evesham,
Worcestershire,
WR11 8SW

Tel: 01789 491860

Fax: 01789 778683

www.spearheadmachinery.com

enquiries@spearheadmachinery.com