

Spearhead

TWIGA Reach Mower 545 / 595 / 640T



Edition 2.0 – May 2015
Part No. 8999016

PARTS MANUAL

Spearhead TWIGA

Contents

Ordering Your Parts.....	3
A Frame.....	4
Tank.....	6
Slew Post.....	8
Lift Frame.....	10
Rear Panel.....	11
Stabilisers.....	12
Main Arm.....	14
Dipper Arm.....	16
Telescopic Outer Dipper Arm.....	18
Telescopic Inner Dipper Arm.....	20
Tie Bar.....	21
Head Crowd Bracket.....	22
Hydraulic Drive.....	24
Cable Controls.....	25
Cable Control Valve Assembly.....	26
Hyd Prop Control Valve Assembly.....	28
Rotor Valve Assembly.....	30
Pilot Valve.....	31
Head Float.....	32
Oil Cooler.....	33
Auto Reset Valve.....	34
Axle Mount Sub Frame.....	35
Slew Ram.....	36
Lift Ram.....	37
Dipper Ram.....	38
Head Ram.....	39
Telescopic Ram.....	40
Light Circuit.....	41
Hyd. Prop. Base Hose Kit.....	42
Cable Control Base Hose Kit.....	44
Arm Hose Kit.....	46
Cab Guard.....	48
P.T.O. Shaft.....	49
Decals.....	50
Safety Decals.....	51
Autopilot.....	52

Spearhead TWIGA

Contents cont.

Arm Float.....	54
Break Back.....	55
Tandem Pump.....	56
Gearbox.....	57
Cable Control Valve.....	58
Hyd. Prop. Control Valve.....	60
Narrow Lane Bracket.....	62
Debris Blower.....	64
Rotor Valve.....	65
Hydraulic Proportional Controls.....	66
Auto Reset Valve.....	68
Joystick.....	69
Shock Absorber.....	70
Hose Blanking Caps.....	71
Service Filter.....	71
Head Float Valve.....	72
Arm Float Valve.....	73
Joystick Hose Kit.....	74
Pilot Valve.....	75
Transport Link.....	76

Spearhead TWIGA

Ordering Your Part's

When ordering parts please refer to your parts list to help your dealer with your order.

Part number and quantity

Description

Machine model number

Serial number of the machine

Delivery instructions (e.g. next day).

Delivery is normally via carrier direct to your dealer. Please check with your dealer for stock availability and arrangement of dispatch. Ensure you or your dealer has sufficient cover for parts requirement outside factory hours.

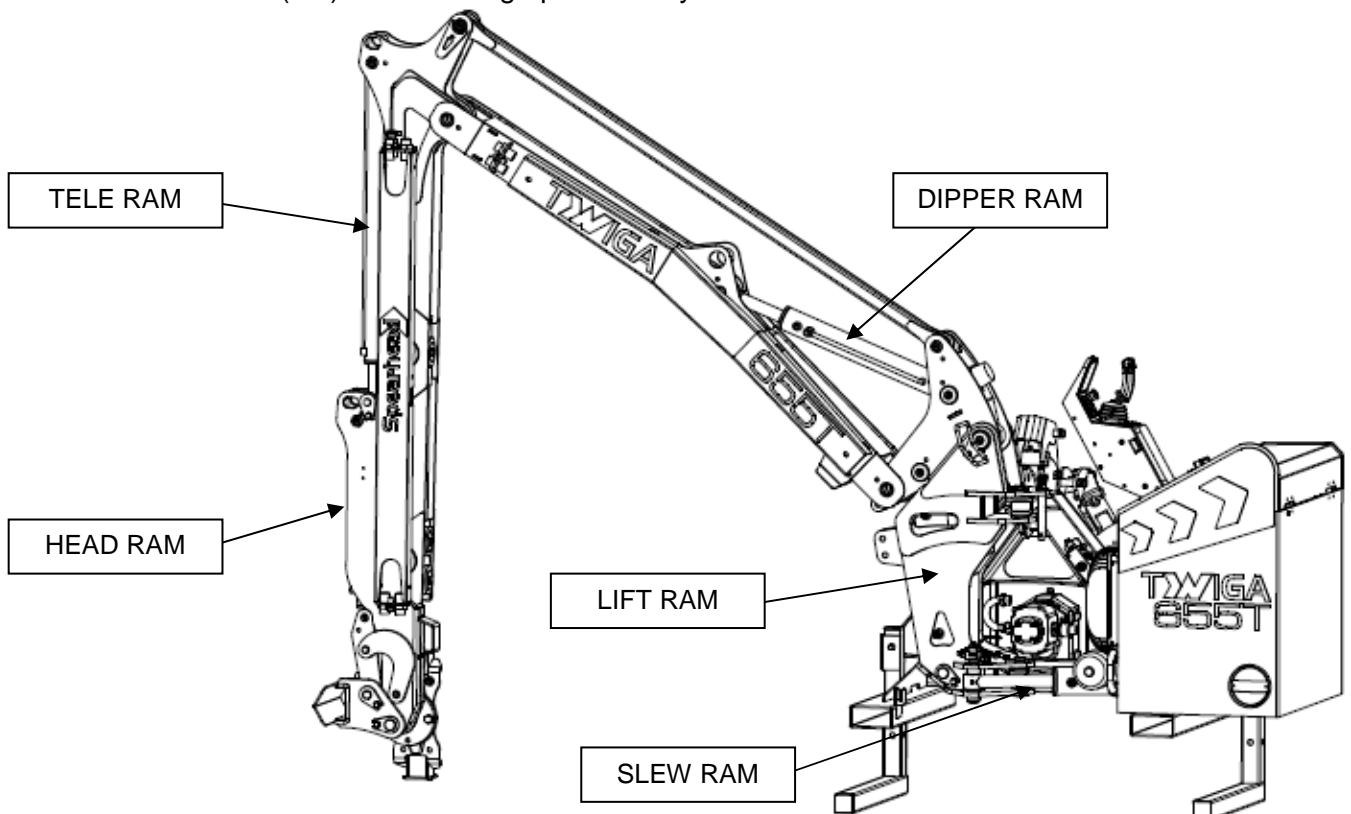
When ordering your seal kits please quote both codes stamped on the base of the cylinder.

Important Note

The information contained in this manual is correct at the time of publication. However, in the course of constant development, changes in specification are inevitable. Should you find the information given in this book different to the machine it relates to, please contact the "After Sales Department" for advice.

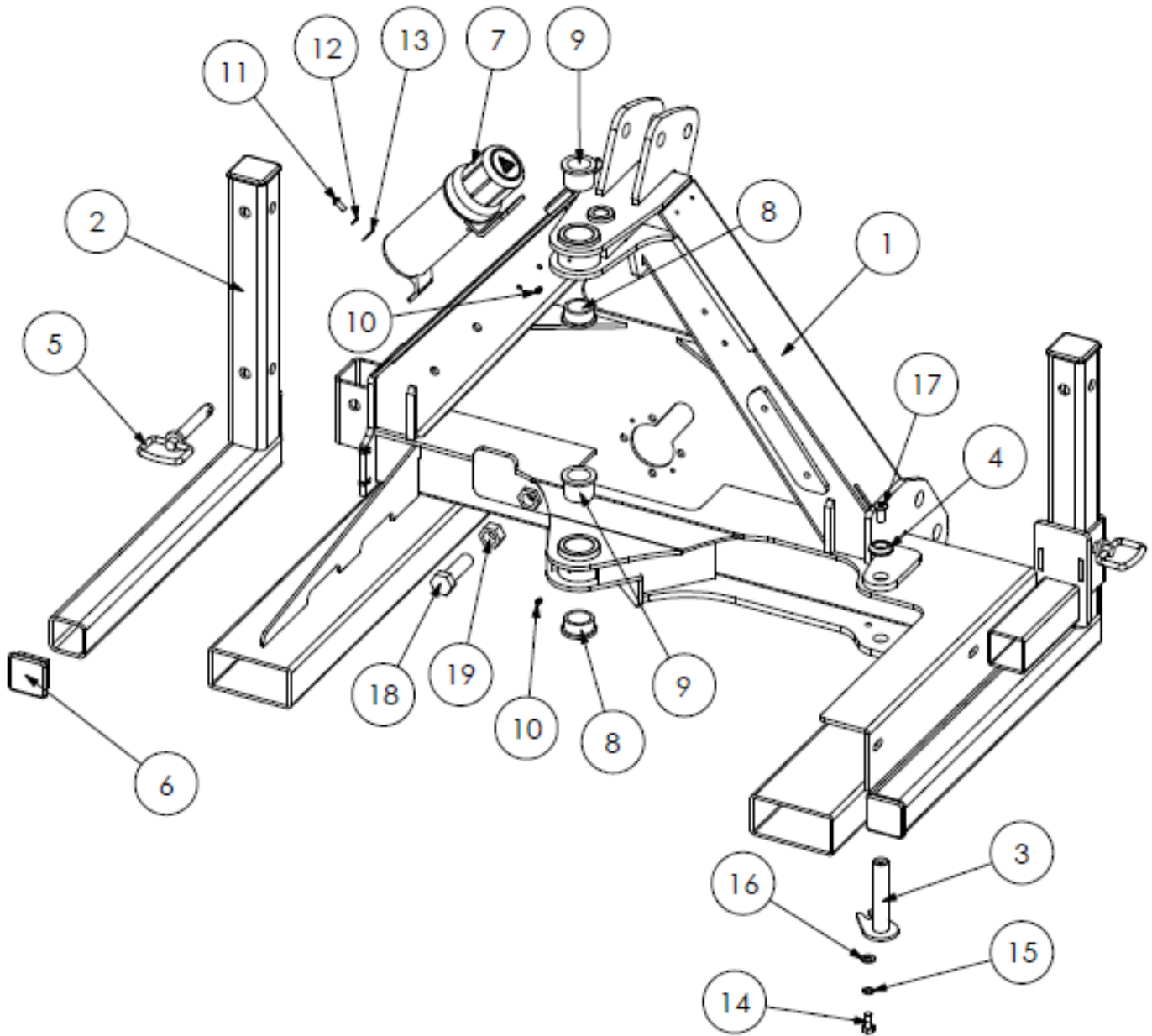
Key:

- (LH) = Left hand
- (RH) = Right hand
- (LP) = Low pressure hydraulics
- (HP) = High pressure hydraulics



Spearhead TWIGA

LH A FRAME - S180010.I10
RH A FRAME - S180010.I13



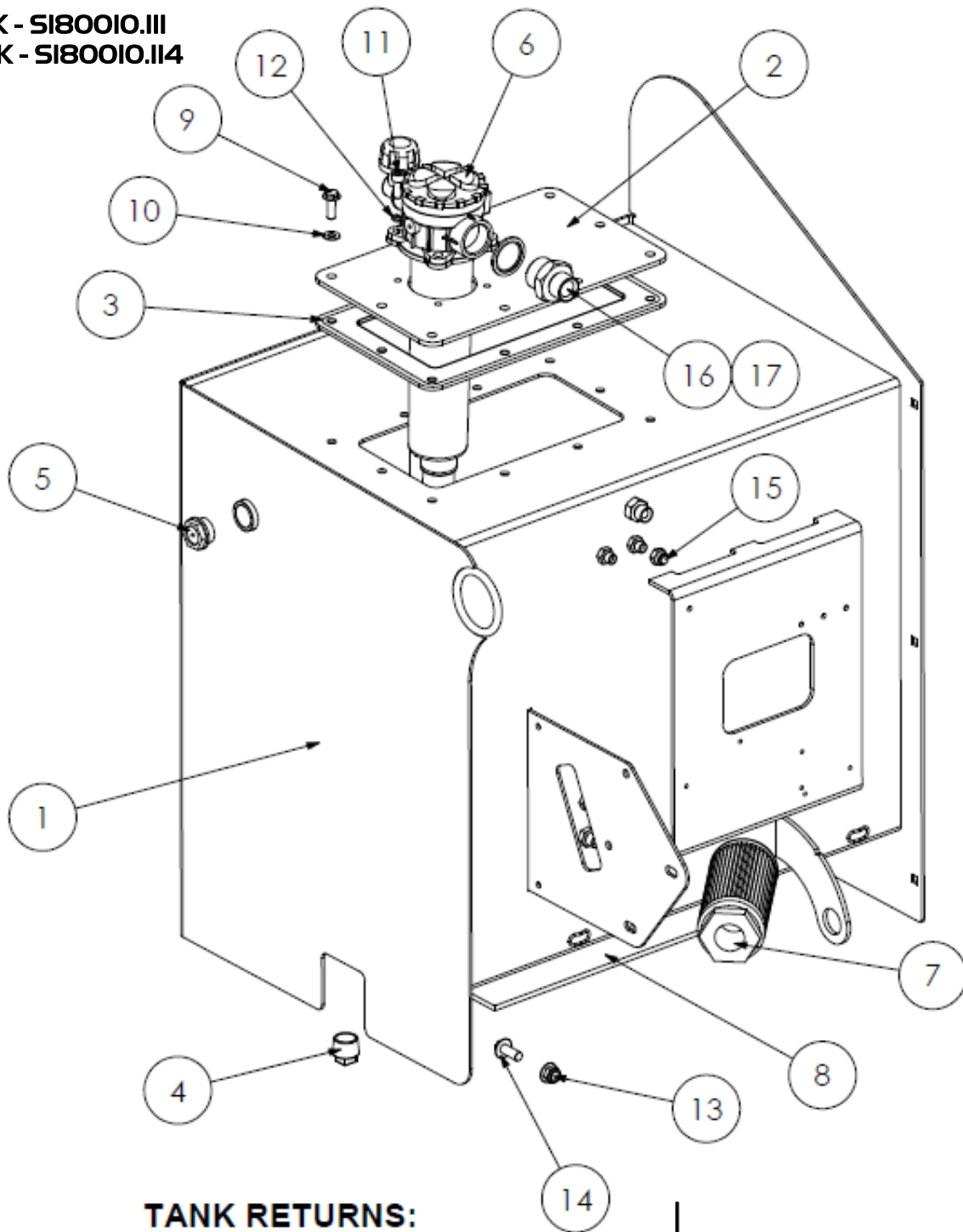
Spearhead TWIGA

LH A FRAME - S180010.I10
RH A FRAME - S180010.I13

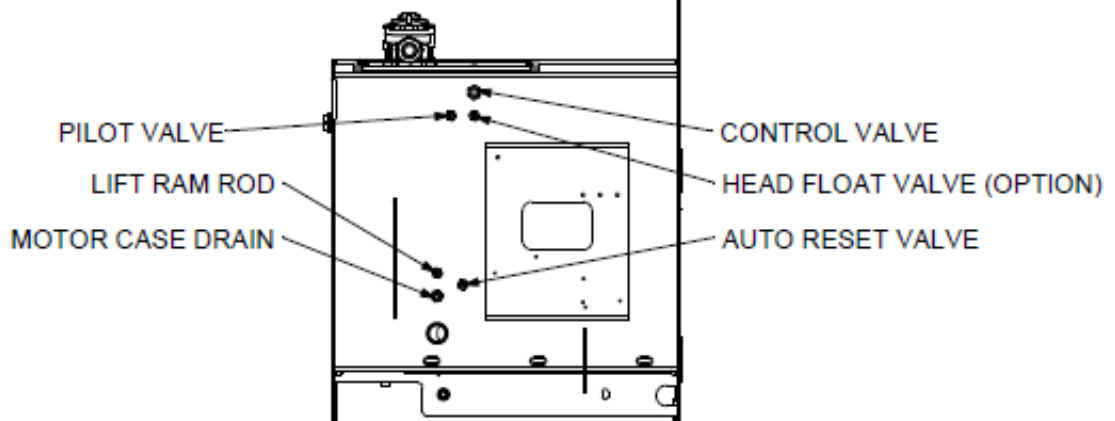
REF NO.	PART NO.	QTY.	DESCRIPTION
1	181638	1	LH MAIN FRAME
1	181639	1	RH MAIN FRAME
2	180720	2	LEG STAND
3	1770678	1	PEAR PIN: 25.4 X 136 mm
4	1777209	1	RETAINING WASHER - 40 mm
5	6310215	2	CAT I PIN
6	8777526	4	PLASTIC CAP
7	46505.01	1	DOCUMENTS TUBE
8	4600126	2	BUSH
9	4600127-A	2	BUSH
10	2770467	2	M6 ST GREASE NIPPLE
11	2770589	2	M8 X 20 SKT BUTTON SCREW
12	2770323	2	M8 SHAKE PROOF WASHER
13	2770244	2	M8 REPAIR WASHER
14	2770484	1	M12 X 25 BOLT
15	2770442	1	M12 SPRING WASHER
16	2770436	1	M12 FLAT WASHER
17	2770506	1	M12 X 30 SKT CSK SCREW
18	2770551	1	M24 X 80 BOLT
19	2770460	1	M24 FULL NUT

Spearhead TWIGA

LH TANK - S180010.III
RH TANK - S180010.II4



TANK RETURNS:



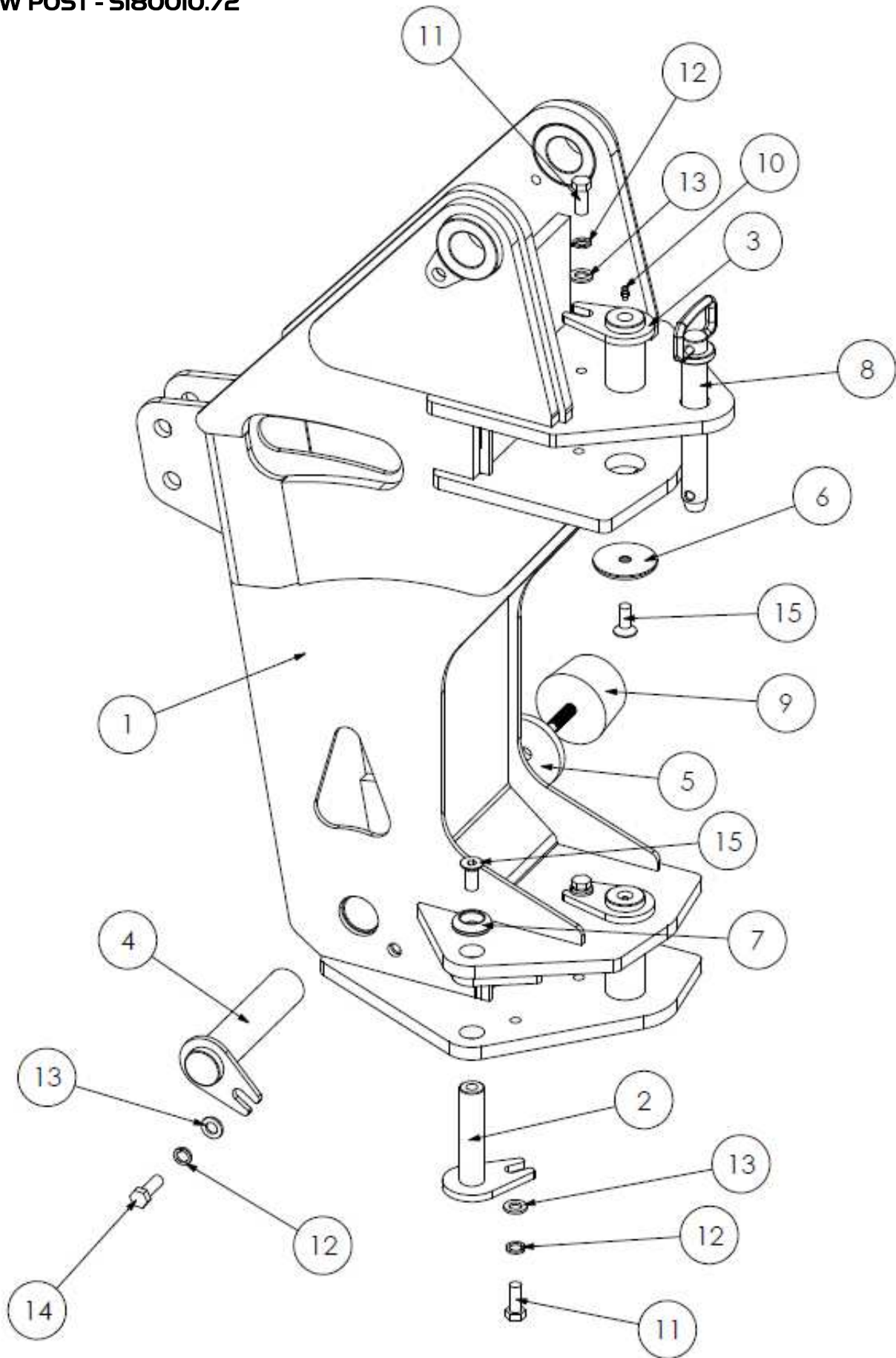
Spearhead TWIGA

LH TANK - S180010.III
RH TANK - S180010.II4

REF NO.	PART NO.	QTY.	DESCRIPTION
1	181640	1	LH TANK
1	181641	1	RH TANK
2	181642	1	TANK LID
3	5771649	1	GASKET
4	T1698	2	TANK BUNG
5	3900063	1	LEVEL GAUGE
6	3900085	1	FILTER
-	3900079	-	FILTER ELEMENT
7	8401047	1	SUCTION FILTER
8	8400213	1	TANK MOUNT FLAP
9	2770670	10	M10 X 30 FLANGE BOLT
10	2770353	10	M10 FIBRE WASHER
11	2770556	4	M10 X 25 SKT CAP
12	2770469	4	M10 SPRING WASHER
13	05.839.54	2	M12 X 30 FLANGE BOLT
14	05.287.22	2	M12 FLANGE NYLOCK
15	3460104	1	1/4" BLANKING CAP
16	3260075	1	1 1/4" BONDED SEAL
17	3360078	1	1 1/4"M - 1"M ADAPTOR

Spearhead TWIGA

LH SLEW POST - S180010.52
RH SLEW POST - S180010.72



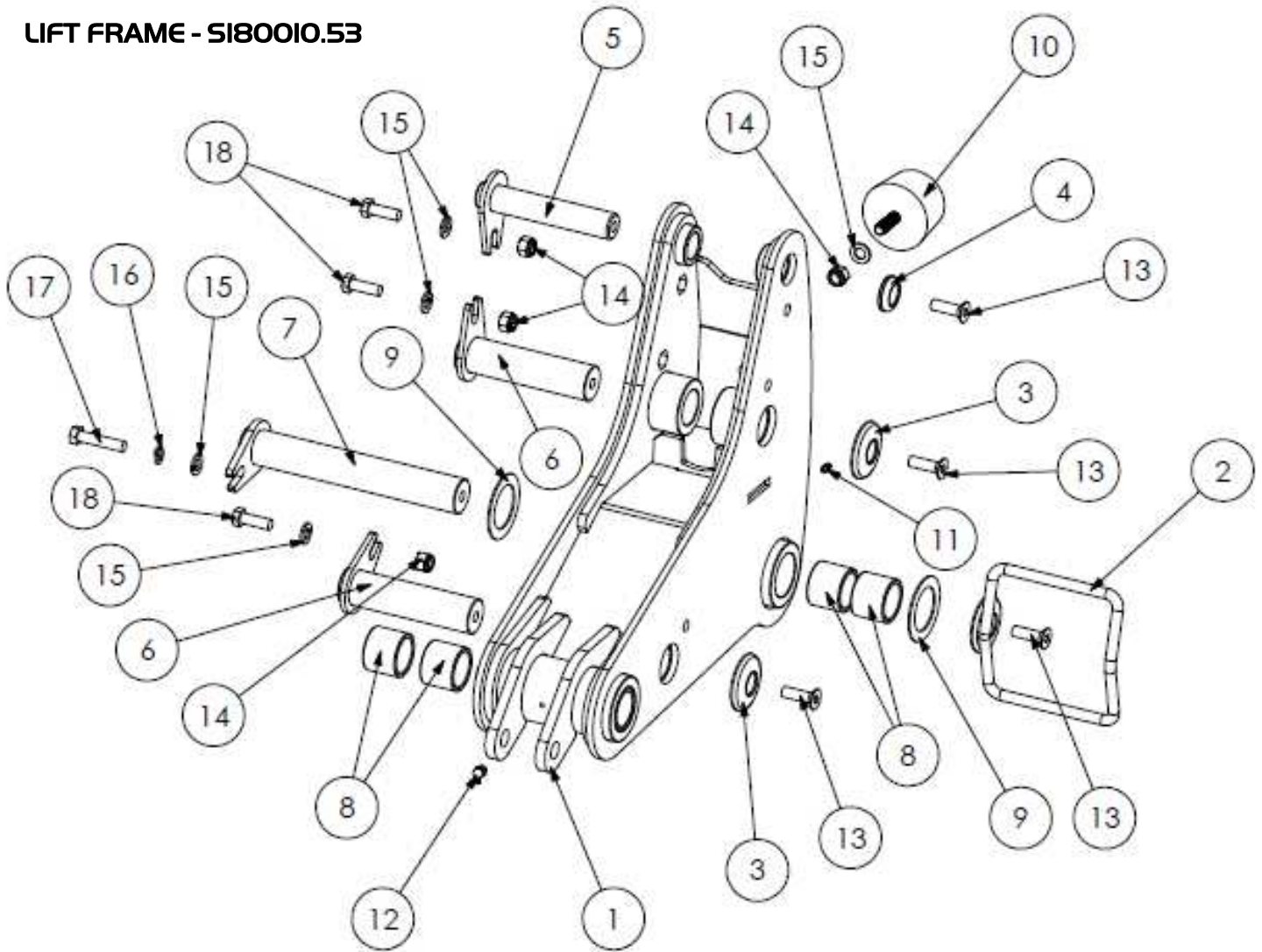
Spearhead TWIGA

LH SLEW POST - S180010.52
RH SLEW POST - S180010.72

REF NO.	PART NO.	QTY.	DESCRIPTION
1	1777771D	1	LH SLEW POST
1	1777771DR	1	RH SLEW POST
2	1777916A	1	PEAR PIN: 25.4 X 110 mm
3	1777760	2	PEAR PIN: 40 X 110 mm
4	1777977	1	PEAR PIN: 40 X 170 mm
5	1777029	1	SPACER
6	1777208	2	RETAINING WASHER - 65mm
7	1777209	1	RETAINING WASHER - 40mm
8	6310239	1	SLEW LOCK PIN
9	8770634	1	RUBBER CUSHION
10	2770467	2	M6 ST GREASE NIPPLE
11	2770420	3	M12 X 30 BOLT
12	2770442	4	M12 SPRING WASHER
13	2770436	4	M12 FLAT WASHER
14	2770535	1	M12 X 30 BOLT
15	2770506	3	M12 X 30 SKT CSK SCREW

Spearhead TWIGA

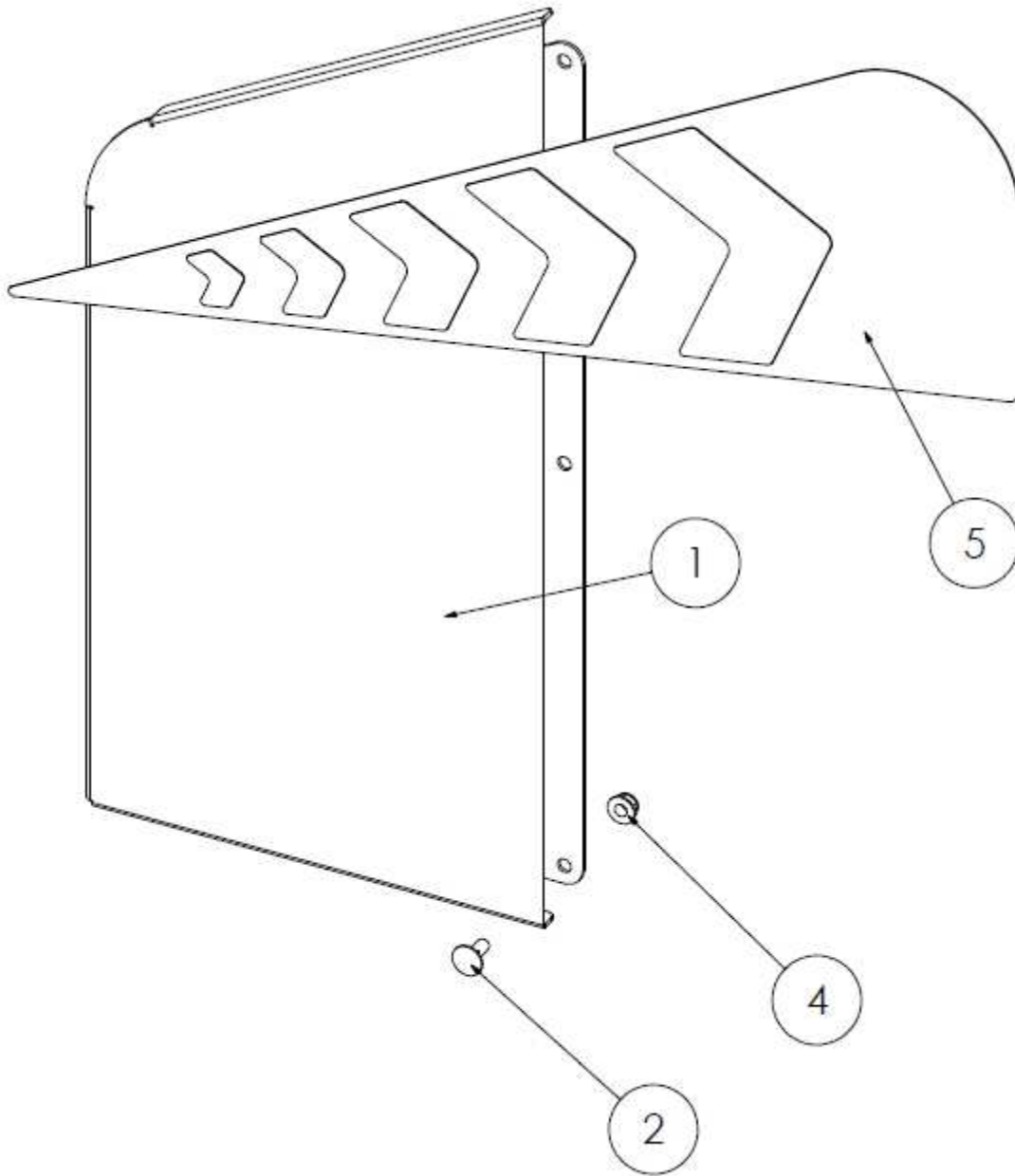
LIFT FRAME - S180010.53



REF NO.	PART NO.	QTY.	DESCRIPTION
1	1800326	1	LIFT FRAME
2	1770693	1	HOSE GUIDE BRACKET
3	1777208	2	RETAINING WASHER - 65mm
4	1777209	1	RETAINING WASHER - 40mm
5	1777467	1	PEAR PIN: 30 X 146mm
6	1782070	2	PEAR PIN: 40 X 147mm
7	1777911A	1	PEAR PIN: 40 X 251mm
8	4600125	8	BUSH
9	191.067	2	SPACER
10	8770634	1	RUBBER CUSHION
11	2770467	1	M6 ST GREASE NIPPLE
12	2770497	1	M6 90 GREASE NIPPLE
13	2770398	4	M12 X 40 SKT CSK SCREW
14	2770417	4	M12 NYLOCK
15	2770436	5	M12 FLAT
16	2770442	1	M12 SPRING WASHER
17	2770450	1	M12 X 55 BOLT
18	2770535	3	M12 X 35 BOLT

Spearhead TWIGA

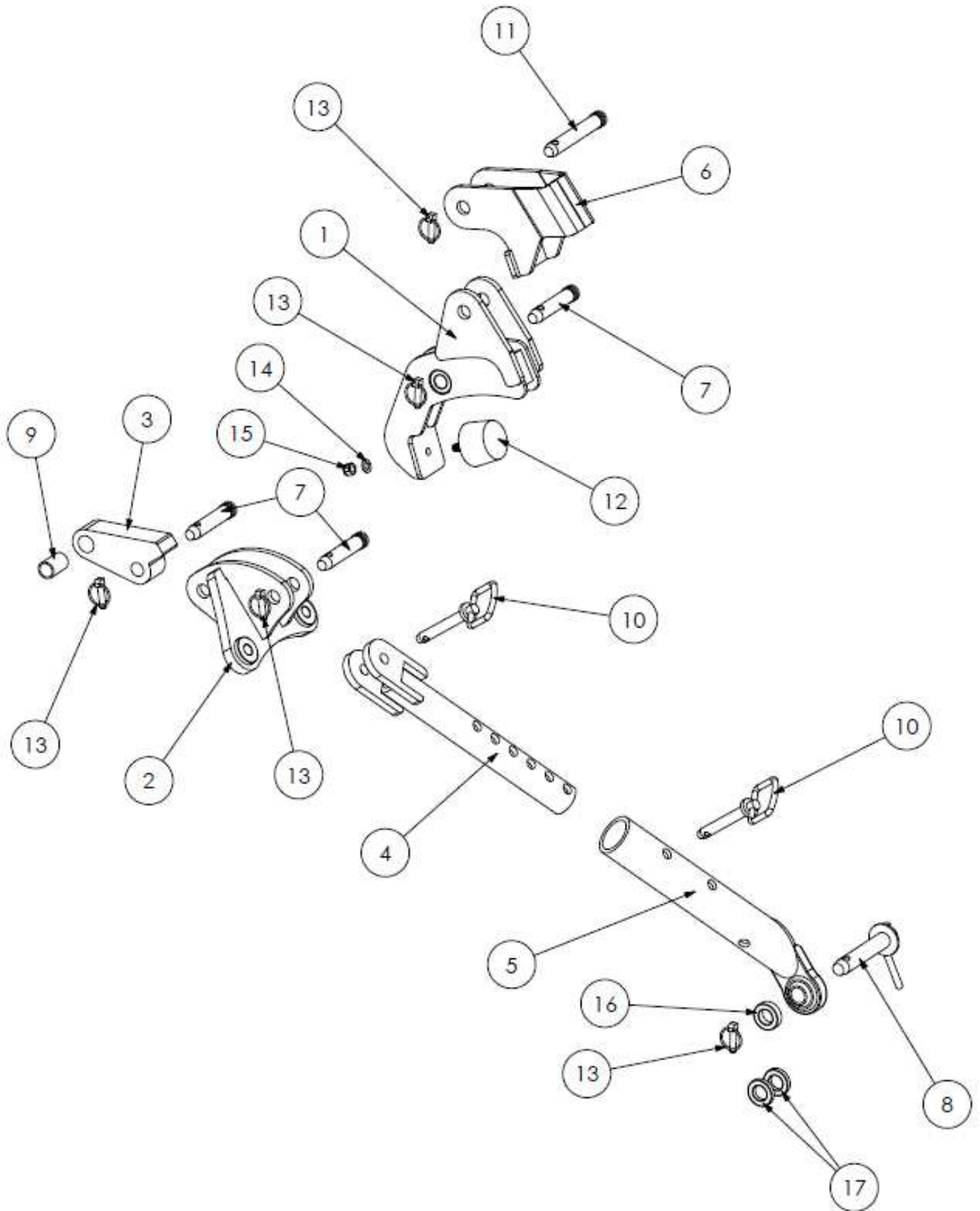
LH REAR PANEL – S180014.54
RH REAR PANEL – S180014.73



REF NO.	PART NO.	QTY.	DESCRIPTION
1	180972	1	LH REAR PANEL
1	180986	1	RH REAR PANEL
2	2770565	3	M10 X 25 COACH BOLT
4	05.287.21	3	M10 FLANGE NYLOCK
5	8770414	1	LH DECAL
5	8770415	1	RH DECAL

Spearhead TWIGA

STABILISER BRACKETS – S180010.56



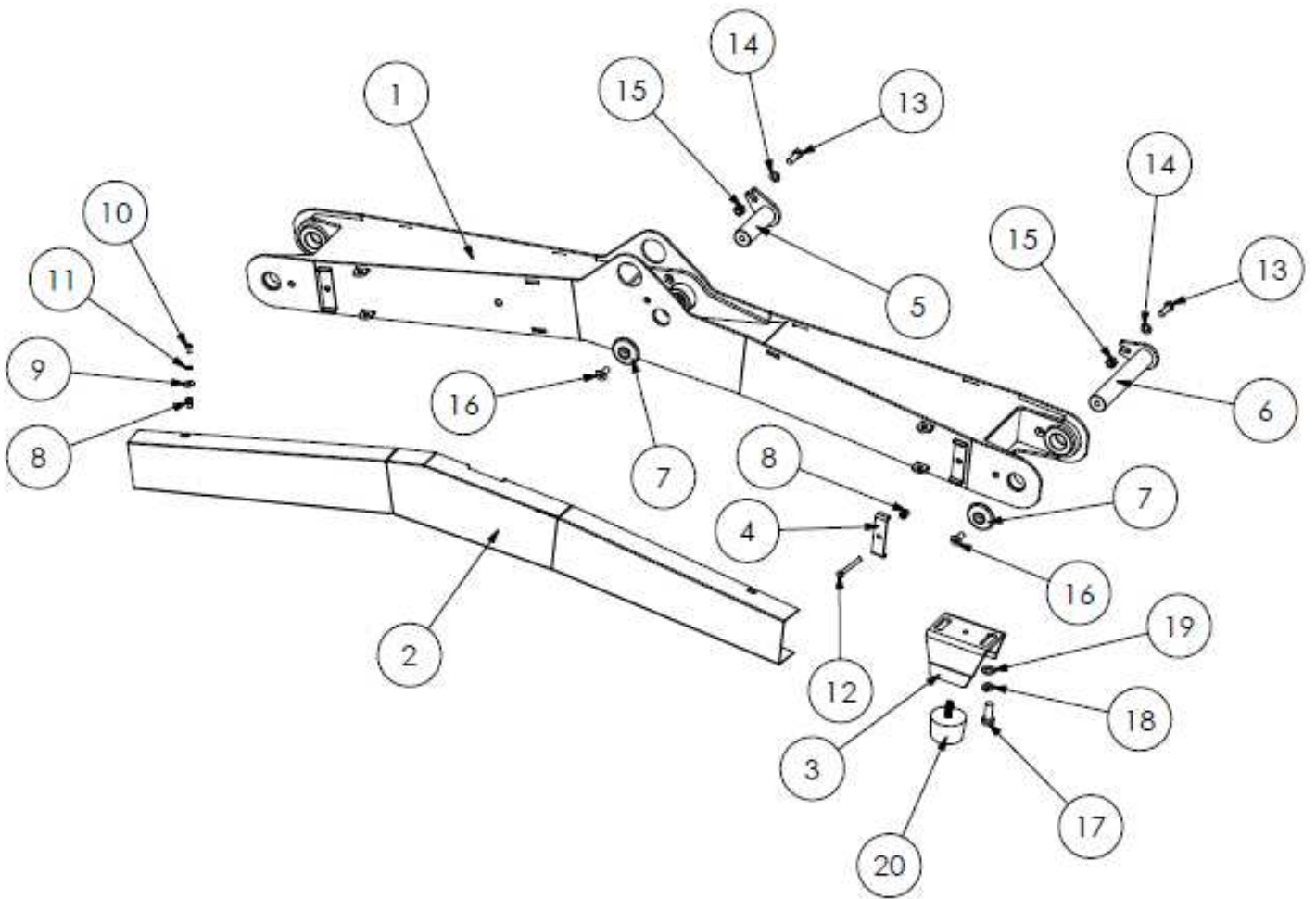
Spearhead TWIGA

STABILISER BRACKETS – S180010.56

REF NO.	PART NO.	QTY.	DESCRIPTION
1	1777868	1	TOP LINK CUSHION BRACKET
2	1800289	1	STABILISER BRACKET
3	181353	1	STABILISER TONGUE - STD
3	1777873NS	OPT	STABILISER TONGUE - NEW HOLLAND STD
3	1777873N	OPT	STABILISER TONGUE - NEW HOLLAND LONG
4	1777532	2	INNER STABILISER
5	1777533A	2	OUTER STABILISER
6	1777887	1	OVER CENTRE BRACKET
7	6310203	3	TOP LINK PIN
8	6310208	4	LOWER LINK PIN
9	6310214	1	CONVERSION BUSH
10	6310215	4	PIN
11	6310235	1	TOP LINK PIN
12	8770634	2	RUBBER CUSHION
13	00.372.01	8	LYNCH PIN
14	2770436	2	M12 FLAT WASHER
15	2770417	2	M12 NYLOCK
16	43332.01	2	15mm SPACER
17	43332.02	4	10mm SPACER

Spearhead TWIGA

- 545 MAIN ARM - S180010.57
- 6000 MAIN ARM - S180010.75
- 595 MAIN ARM - S180010.78
- 6000LR MAIN ARM - S180010.80
- 640T MAIN ARM - S180010.82
- 6000T MAIN ARM - S180010.85



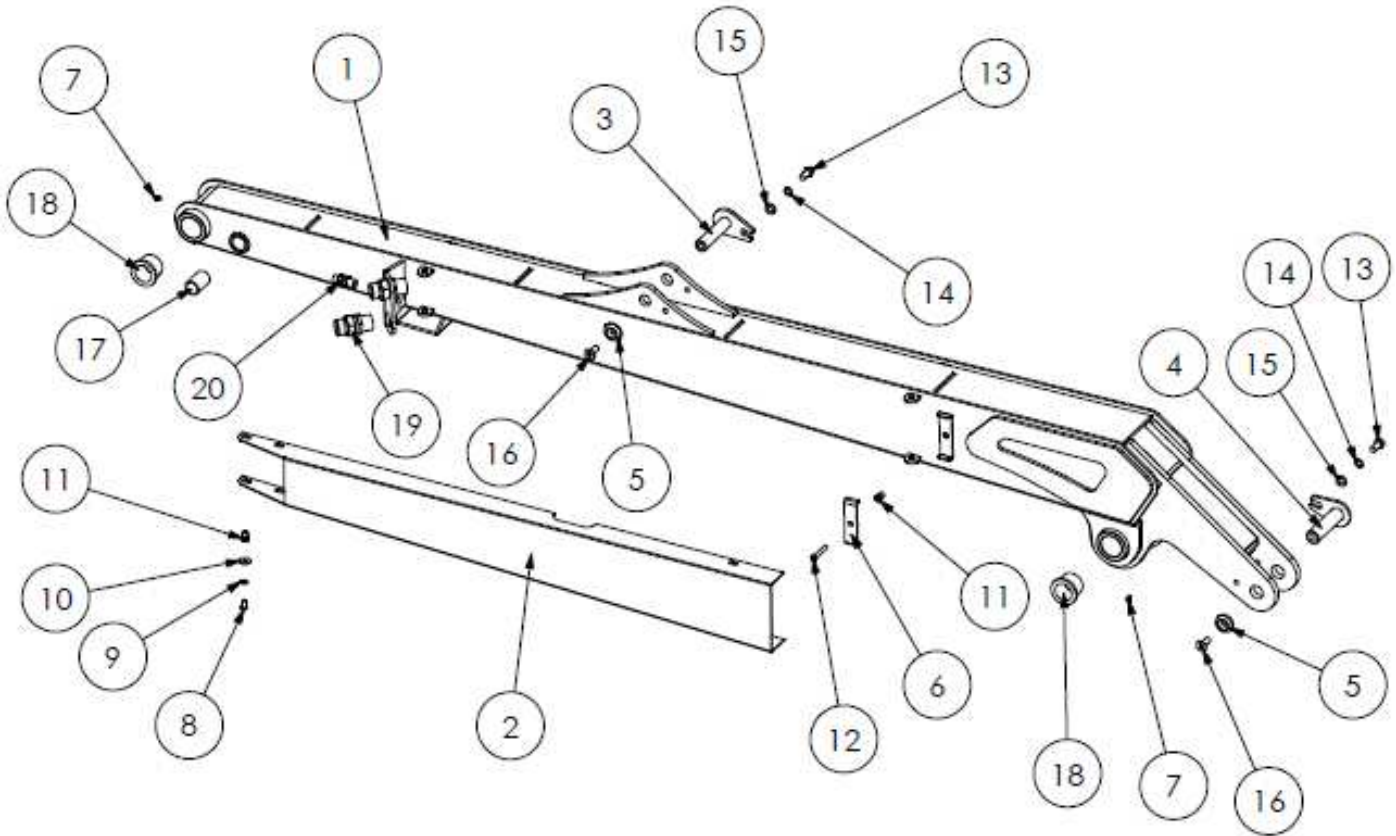
Spearhead TWIGA

545 MAIN ARM - S180010.57
6000 MAIN ARM - S180010.75
595 MAIN ARM - S180010.78
6000LR MAIN ARM - S180010.80
640T MAIN ARM - S180010.82
6000T MAIN ARM - S180010.85

REF NO.	PART NO.	QTY.	DESCRIPTION
1	1777759E	1	LH MAIN ARM – 545
1	1777759ER	1	RH MAIN ARM – 6000
1	1777876B	1	LH MAIN ARM – 595
1	1777876BR	1	RH MAIN ARM – 6000LR
1	1777758TE	1	LH MAIN ARM – 640T
1	1777758TER	1	RH MAIN ARM – 6000T
2	1777320C	1	LH HOSE GUARD – 545
2	1777320CR	1	RH HOSE GUARD – 6000
2	1777878B	1	LH HOSE GUARD – 595
2	1777878BR	1	RH HOSE GUARD – 6000LR
2	1777320TC	1	LH HOSE GUARD – 640T
2	1777320TCR	1	RH HOSE GUARD – 6000T
3	1777144	1	BUMP STOP BRACKET
4	1777954	2	HOSE CLAMP PLATE
5	1777976	1	PEAR PIN: 40 X 120 mm
6	1777910A	2	PEAR PIN: 40 X 231 mm
7	1777208	3	RETAINING WASHER - 65 mm
8	2770201	6	M8 RIV-NUT
9	2770244	4	M8 REPAIR WASHER
10	2770589	4	M8 X 20 SKT BUTTON SCREW
11	05.283.01	4	M8 SHAKE PROOF WASHER
12	2772289	2	M8 X 80 BOLT
13	2770535	3	M12 X 35 BOLT
14	2770436	3	M12 FLAT WASHER
15	2770417	3	M12 NYLOCK
16	2770506	3	M12 X 30 SKT CSK SCREW
17	05.264.35	2	M16 X 40 BOLT
18	2770456	2	M16 SPRING WASHER
19	2770454	2	M16 FLAT WASHER
20	8770634	1	RUBBER CUSHION
21	3460115	2	1" BULKHEAD ADAPTOR

Spearhead TWIGA

545 DIPPER ARM - SI80010.58
6000 DIPPER ARM - SI80010.76
595 DIPPER ARM - SI80010.79
6000LR DIPPER ARM - SI80010.81



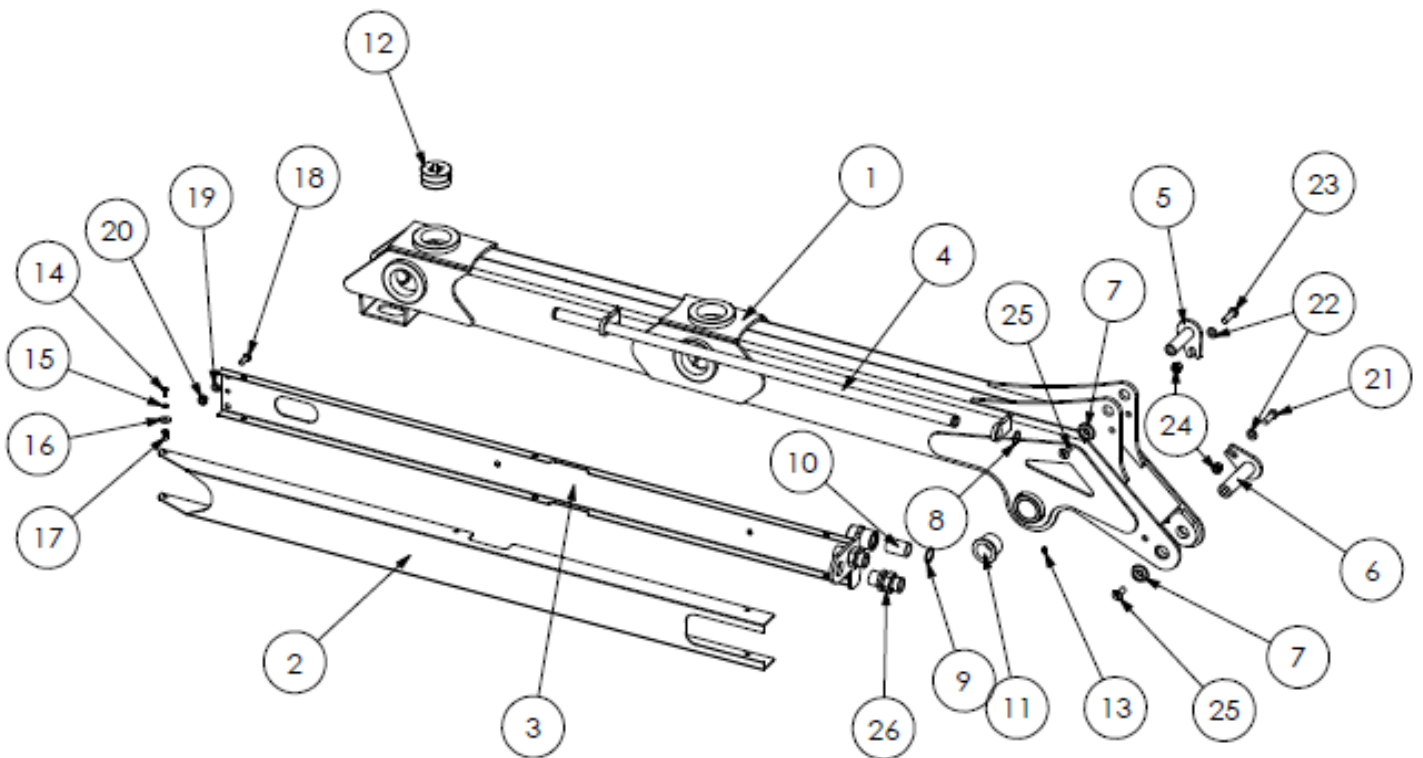
Spearhead TWIGA

545 DIPPER ARM - S180010.58
 6000 DIPPER ARM - S180010.76
 595 DIPPER ARM - S180010.79
 6000LR DIPPER ARM - S180010.81

REF NO.	PART NO.	QTY.	DESCRIPTION
1	1777759C	1	LH DIPPER ARM - 545
1	1777759CR	1	RH DIPPER ARM - 6000
1	1777442C	1	LH DIPPER ARM - 595
1	1777442CR	1	RH DIPPER ARM - 6000LR
2	1777964B	1	DIPPER ARM GUARD - 545/6000
2	1777443B	1	DIPPER ARM GUARD - 595/6000LR
3	1777916A	1	PEAR PIN: 25.4 X 110 mm
4	1777915A	1	PEAR PIN: 30 X 126 mm
5	1777209	2	RETAINING WASHER - 40 mm
6	1777954	2	HOSE CLAMP
7	2770467	2	M6 ST GREASE NIPPLE
8	2770370	4	M8 X 15 SKT BUTTON SCREW
9	05.283.01	4	M8 SHAKE PROOF WASHER
10	2770244	4	M8 REPAIR WASHER
11	2770201	6	M8 RIV-NUT
12	2772289	2	M8 X 80 BOLT
13	2770484	2	M12 X 25 BOLT
14	2770442	1	M12 SPRING WASHER
15	2770436	2	M12 FLAT WASHER
16	2770506	2	M12 X 30 SKT CSK SCREW
17	4600124	2	BUSH
18	4600127-A	4	BUSH
19	3460115	2	1" BULKHEAD ADAPTOR
20	3700228	1	3/8" BULKHEAD ADAPTOR

Spearhead TWIGA

640T OUTER TELESCOPIC ARM - S180010.83
6000T OUTER TELESCOPIC ARM - S180010.86



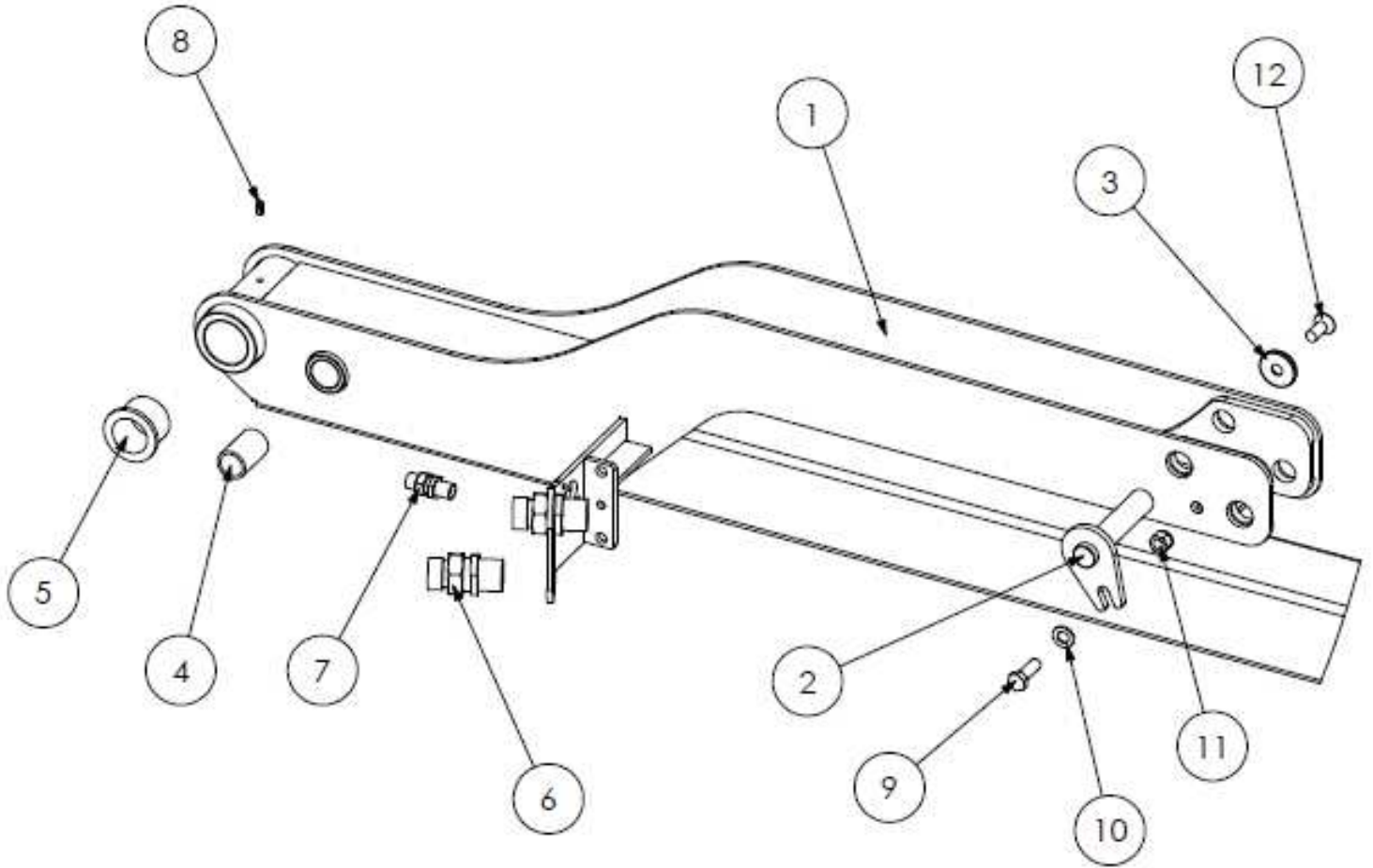
Spearhead TWIGA

640T OUTER TELESCOPIC ARM - S180010.83
6000T OUTER TELESCOPIC ARM - S180010.86

REF NO.	PART NO.	QTY.	DESCRIPTION
1	1777957	1	LH OUTER DIPPER ARM - 640T
1	1777957PR	1	RH OUTER DIPPER ARM - 6000T
2	1777929	1	HOSE GUARD
3	1777959	1	LH SLIDER RAIL - 640T
3	1777959R	1	RH SLIDER RAIL - 6000T
4	1778303	1	SLIDER RAIL TUBE
5	1777368A	1	PEAR PIN: 25.4 X 90 mm
6	1777912A	1	PEAR PIN: 30 X 120 mm
7	1777209	2	RETAINING WASHER - 40 mm
8	2771111	2	EXTERNAL CIRCLIP
9	2771112	1	INTERNAL CIRCLIP
10	4600124	2	BUSH
11	4600127-A	2	BUSH
12	4600121A	9	WEAR PAD
13	2770467	1	M6 ST GREASE NIPPLE
14	2770370	6	M8 X 15 SKT BUTTON SCREW
15	05.283.01	6	M8 SHAKE PROOF WASHER
16	2770244	6	M8 REPAIR WASHER
17	2770201	6	M8 RIV-NUT
18	2770407	2	M10 X 25 BOLT
19	2770434	2	M10 FLAT WASHER
20	2770412	2	M10 NYLOCK
21	2770535	1	M12 X 35 BOLT
22	2770436	2	M12 FLAT WASHER
23	2770443	1	M12 X 40 BOLT
24	2770417	2	M12 NYLOCK
25	2770506	2	M12 X 30 SKT CSK SCREW
26	3460115	2	1" BULKHEAD ADAPTOR
27	03.231.01	950	RUBBER EDGING STRIP

Spearhead TWIGA

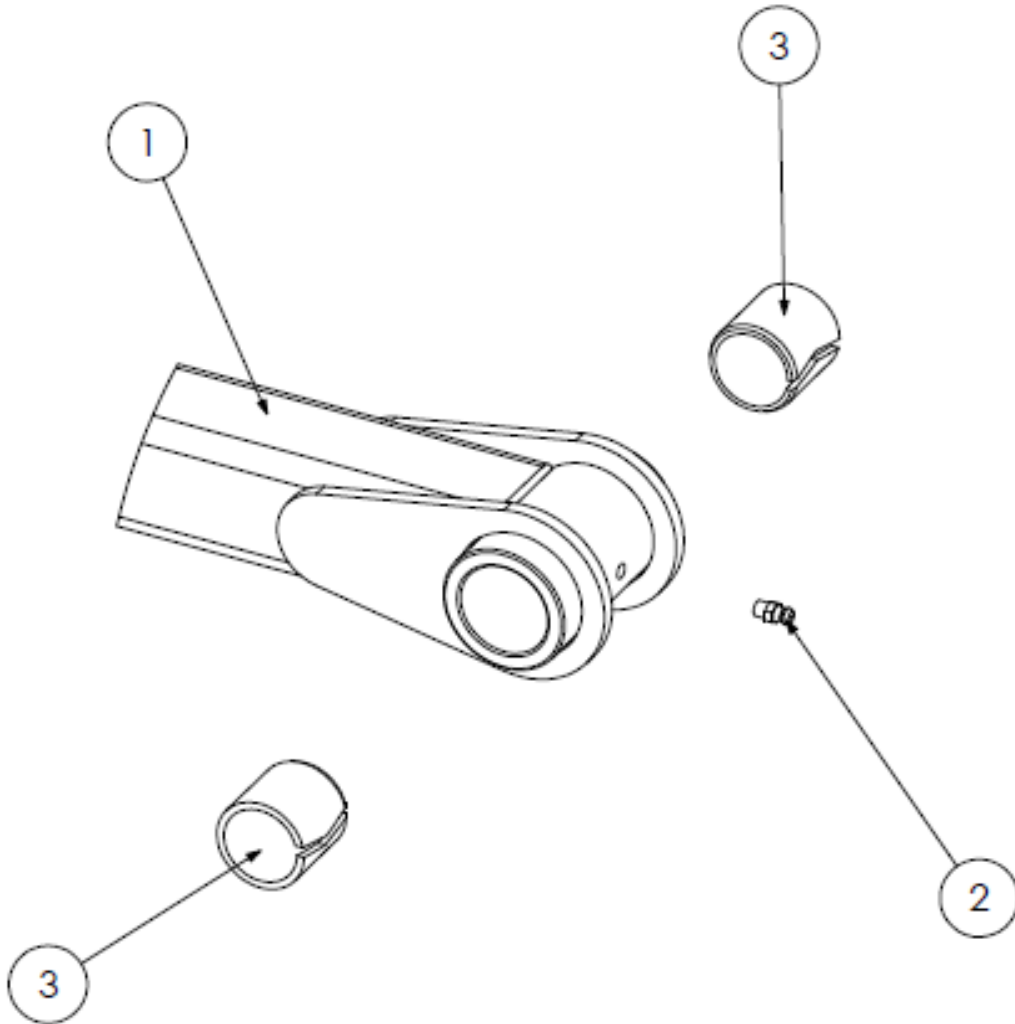
640T INNER TELESCOPIC ARM - S180010.84
 6000T INNER TELESCOPIC ARM - S180010.87



REF NO.	PART NO.	QTY.	DESCRIPTION
1	1777958	1	LH INNER DIPPER ARM - 640T
1	1777958PR	1	RH INNER DIPPER ARM - 6000T
2	1777928A	2	PEAR PIN: 25.4 X 113 mm
3	1777209	2	RETAINING WASHER - 40 mm
4	4600124	2	BUSH
5	4600127-A	2	BUSH
6	3460115	2	1" BULKHEAD ADAPTOR
7	3700228	1	3/8" BULKHEAD ADAPTOR
8	2770467	1	M6 ST GREASE NIPPLE
9	2770535	2	M12 X 35 BOLT
10	2770436	2	M12 FLAT WASHER
11	2770417	2	M12 NYLOCK
12	2770506	2	M12 X 30 SKT CSK SCREW

Spearhead TWIGA

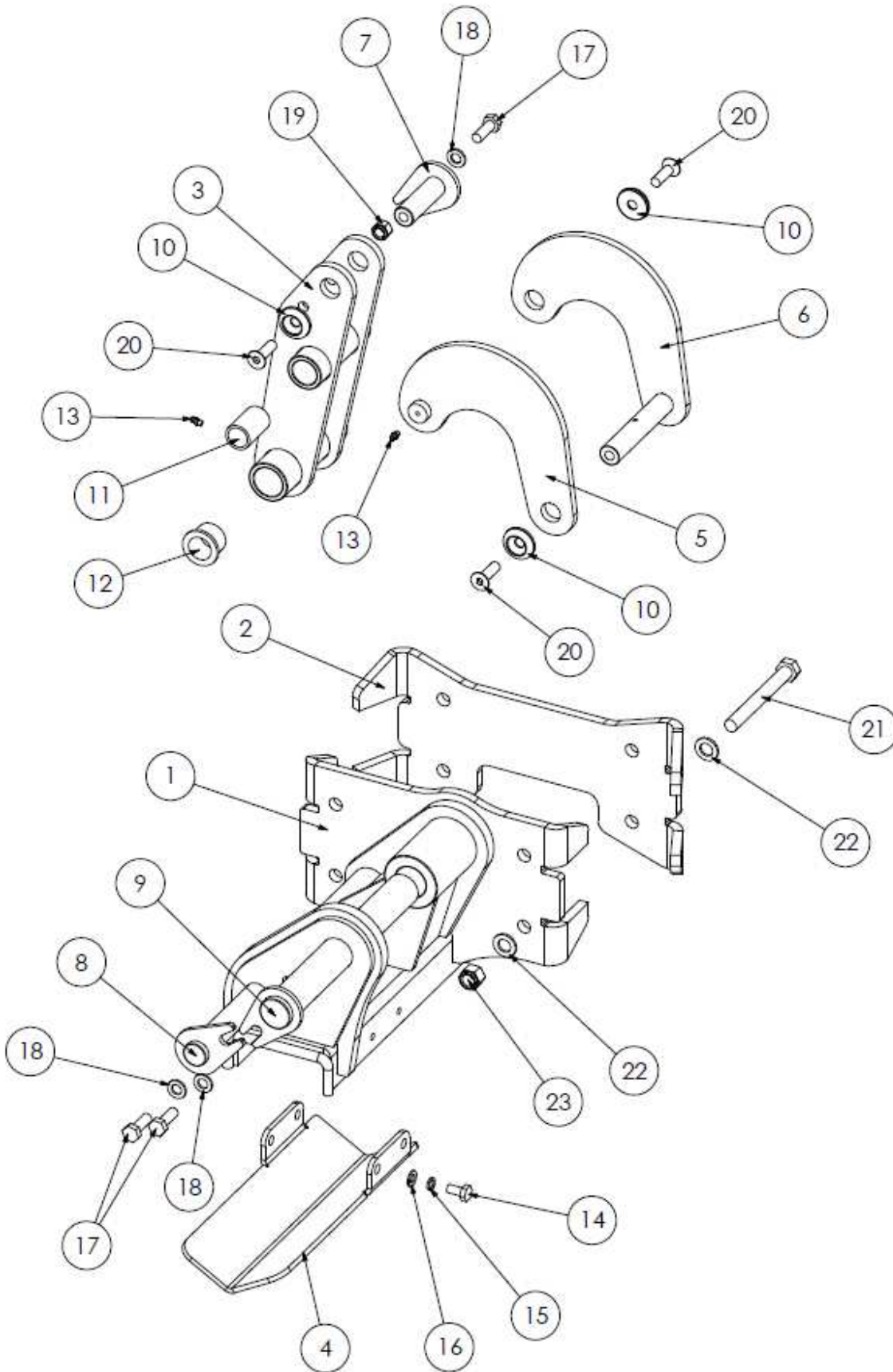
545/640T/6000/6000T TIE BAR - S180010.59
595/6000LR TIE BAR - S180010.68



REF NO.	PART NO.	QTY.	DESCRIPTION
1	1777766B	1	TIE BAR - 545/640T/6000 / 6000T
1	1777877	1	TIE BAR - 595/6000LR
2	2770467	2	M6 ST GREASE NIPPLE
3	4600411	4	BUSH

Spearhead TWIGA

LH HEAD MOUNT BRACKET - S180010.08
RH HEAD MOUNT BRACKET - S180010.18



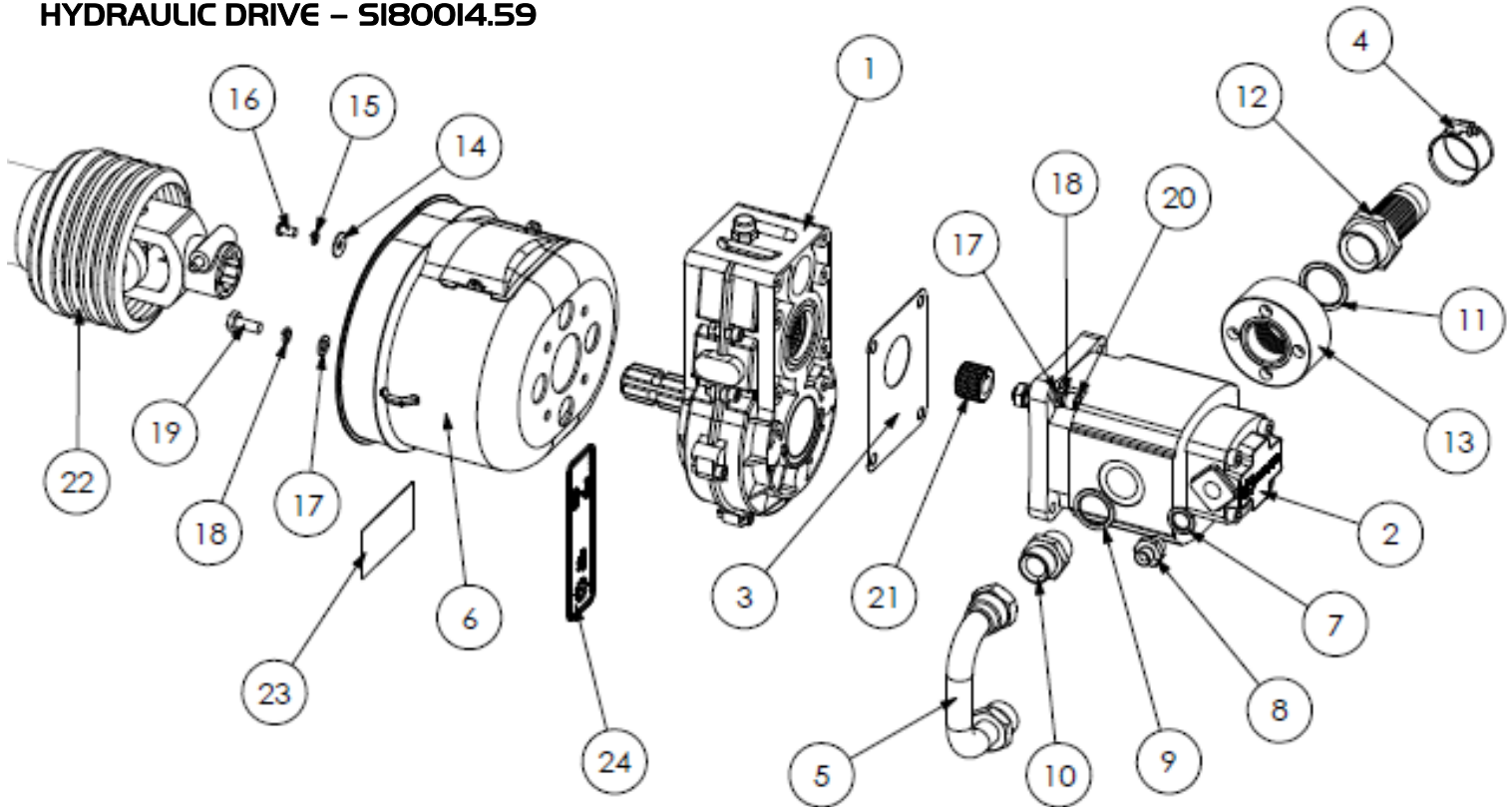
Spearhead TWIGA

LH HEAD MOUNT BRACKET - S180010.08
RH HEAD MOUNT BRACKET - S180010.18

REF NO.	PART NO.	QTY.	DESCRIPTION
1	1778300	1	LH BRACKET
1	1778300R	1	RH BRACKET
2	1777325B	1	HEAD CLAMP PLATE
3	1777116A	1	CROWD LINK
4	1777879	1	HOSE CARRIER PLATE
5	1777117L	1	LH CURVED LINK
6	1777117R	1	RH CURVED LINK
7	1777918A	1	PEAR PIN: 25.4 X 80 mm
8	1777934A	1	PEAR PIN: 30 X 310 mm
9	1777935A	1	PEAR PIN: 40 X 310 mm
10	1777209	3	RETAINING WASHER - 40mm
11	4600124	2	BUSH
12	4600135B	2	BUSH
13	2770467	4	M6 ST GREASE NIPPLE
14	2770418	4	M10 X 20 BOLT
15	2770469	4	M10 SPRING WASHER
16	2770434	4	M10 FLAT WASHER
17	2770535	3	M12 X 35 BOLT
18	2770436	3	M12 FLAT WASHER
19	2770417	3	M12 NYLOCK
20	2770506	3	M12 X 30 SKT CSK SCREW
21	2770346	4	M16 X 140 BOLT
22	2770454	8	M16 FLAT WASHER
23	2770447	4	M16 NYLOCK

Spearhead TWIGA

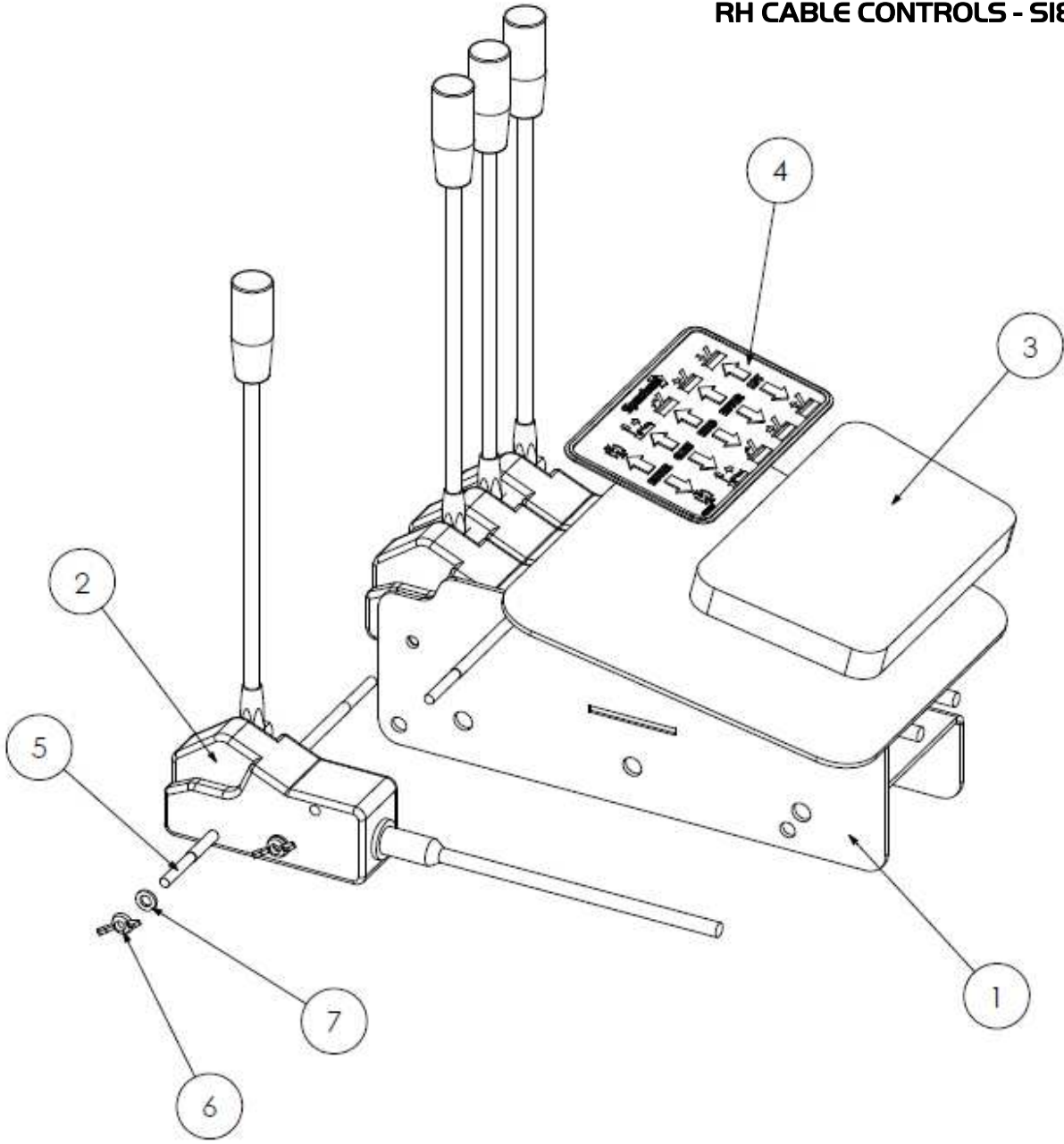
HYDRAULIC DRIVE – S180014.59



REF NO.	PART NO.	QTY.	DESCRIPTION
1	3151026	1	GEARBOX (Pg 57)
2	3151033A	1	TANDEM PUMP (Pg 56)
3	3151019	1	GASKET
4	3700257	2	CLAMP
5	46127.02	1	U BEND
6	5770117	1	CONE
7	3260072	1	½" BONDED SEAL
8	3360088	1	3/8" X ½" M-M
9	3260074	1	1" BONDED SEAL
10	3360092	1	1" M-M ADAPTOR
11	3700226	1	1 ½" BONDED SEAL
12	3761006	1	1 ½" MALE INSERT
13	3761012	1	PUMP FLANGE
14	2770244	2	M8 REPAIR WASHER
15	2770433	2	M8 SPRING WASHER
16	2770370	2	M8 X 16 SKT BUTTON
17	2770436	4	M10 FLAT WASHER
18	2770442	4	M10 SPRING WASHER
19	2770407	4	M10 X 25 BOLT
20	30.072.28	2	M10 X 40 SKT CAP SCREW
21	3151011	1	SPLINED BUSH
22	5770084C	1	P.T.O. (Pg 47)
23	8770305	1	RECOMMENDED PTO DECAL
24	8770539	1	GEARBOX OIL LEVEL DECAL

Spearhead TWIGA

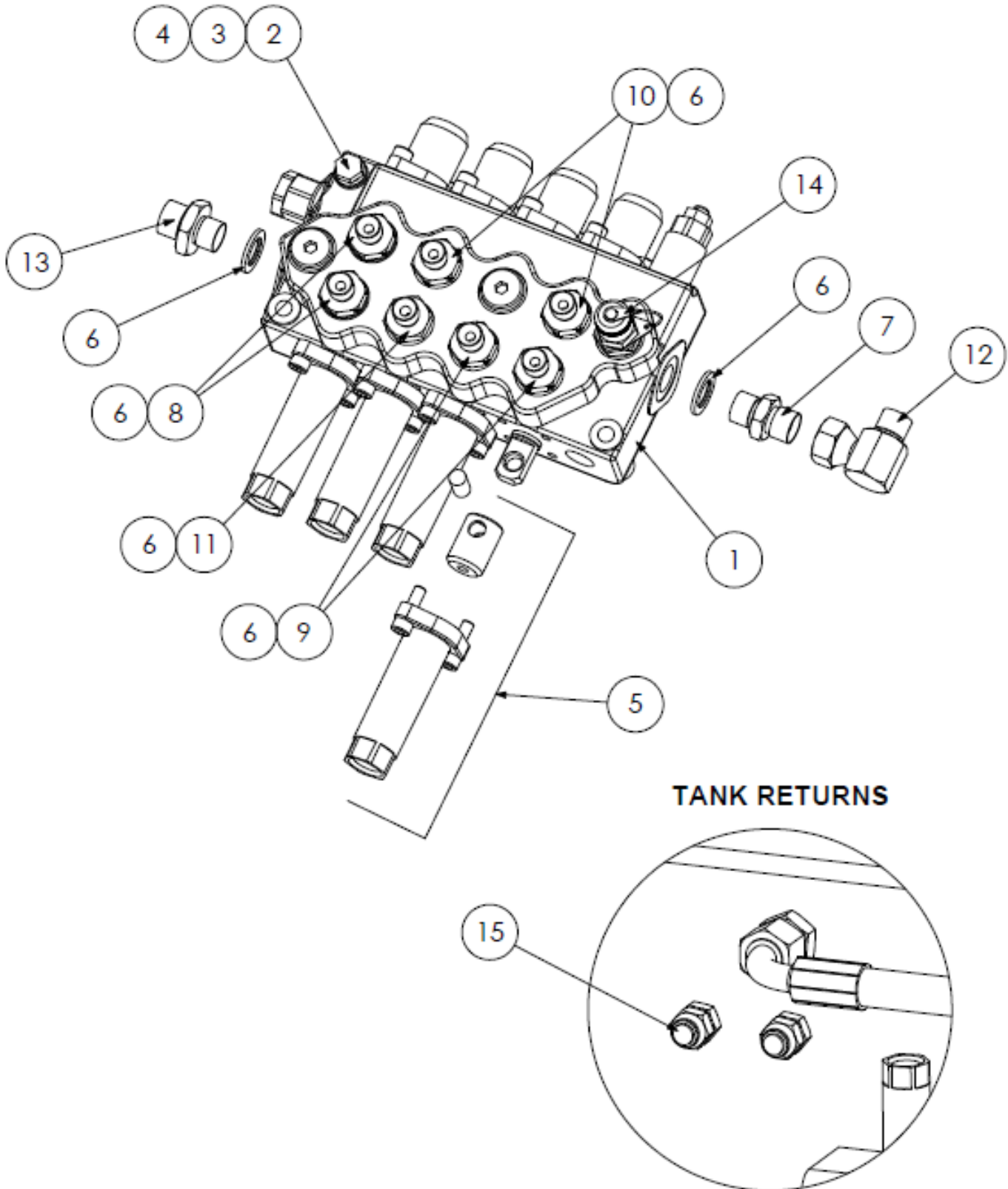
LH CABLE CONTROLS - S180014.68
RH CABLE CONTROLS - S180014.76



REF NO.	PART NO.	QTY.	DESCRIPTION
1	180325	1	CABLE MOUNT BRACKET
2	47531.01	4	CABLE ASSEMBLY - 3M
3	5771642	1	FOAM PAD
4	8770436	1	LH DECAL
4	8770437	1	RH DECAL
5	04.282.71	2	M6 X 233 STUD
6	05.948.37	4	M6 WING NUT
7	2771408	4	M6 FLAT WASHER

Spearhead TWIGA

CABLE CONTROL VALVE ASSEMBLY - S180010.I22



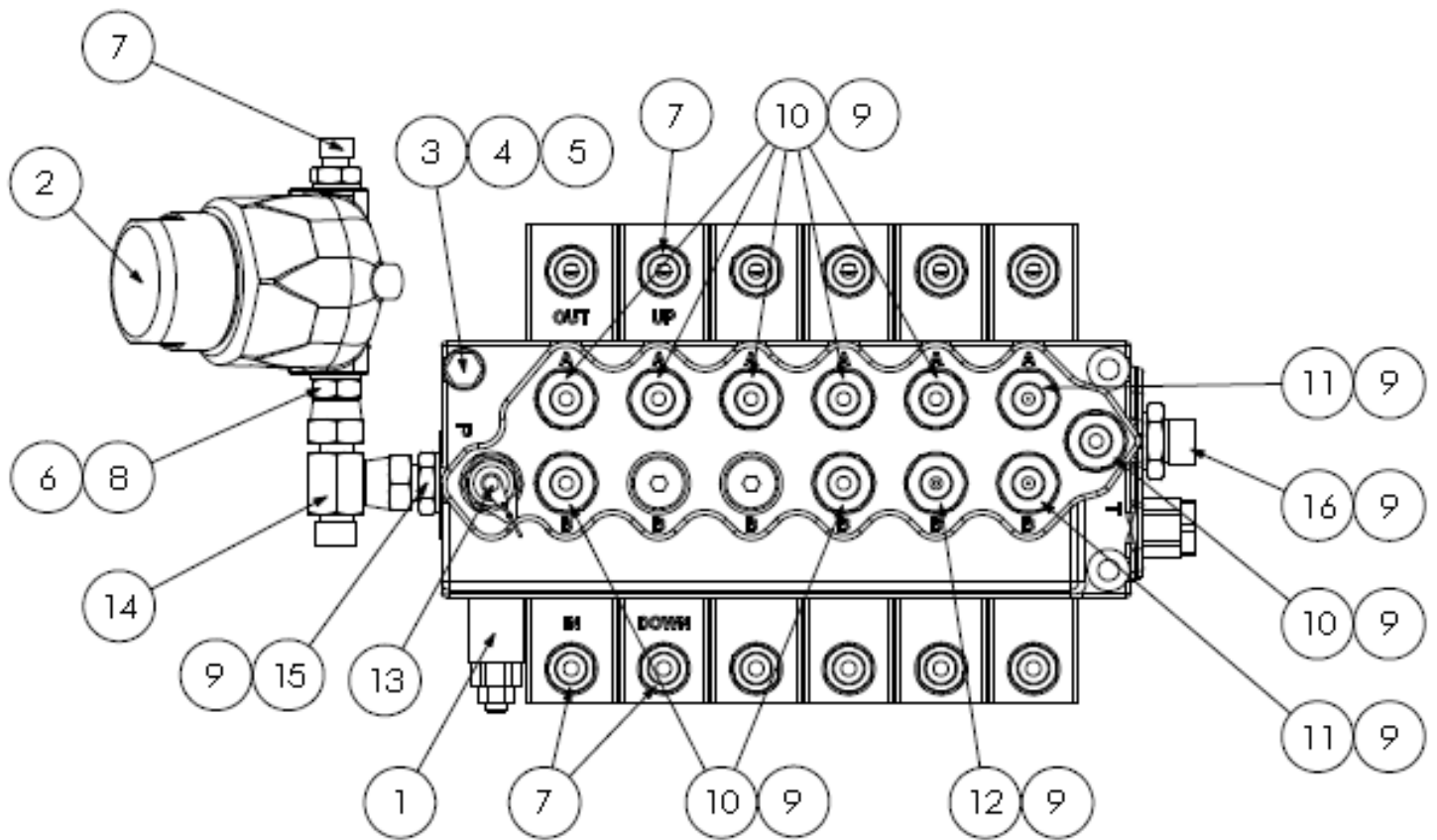
Spearhead TWIGA

CABLE CONTROL VALVE ASSEMBLY - S180010.I22

REF NO.	PART NO.	QTY.	DESCRIPTION
1	3600105	1	VALVE (Pg 58)
2	2770430	2	M8 X 60 BOLT
3	2770433	2	M8 SPRING WASHER
4	2770432	2	M8 FLAT WASHER
5	47540.01	4	FITTING KIT
6	3260071	9	3/8" BONDED SEAL
7	3360086	1	3/8" M-M ADAPTOR
8	3360098	2	1/4" M - 3/8" M R 1.0mm
9	3360107	2	1/4" M - 3/8" M R 1.5mm
10	3360104	2	1/4" M - 3/8" M R 2.0mm
11	3360083	1	1/4" M - 3/8" M ADAPTOR
12	3450157	1	3/8" COMPACT 90
13	3360088	1	3/8 M - 1/2" M ADAPTOR
14	3360111	1	3/8" TEST PORT
15	3460104	1	1/4" BLANKING CAP

Spearhead TWIGA

CONTROL VALVE: 4 BANK – S180010.118
 CONTROL VALVE: 5 BANK TELE/FR – S180010.94
 CONTROL VALVE: 5 BANK AP – S180010.95
 CONTROL VALVE: 6 BANK – S180010.96



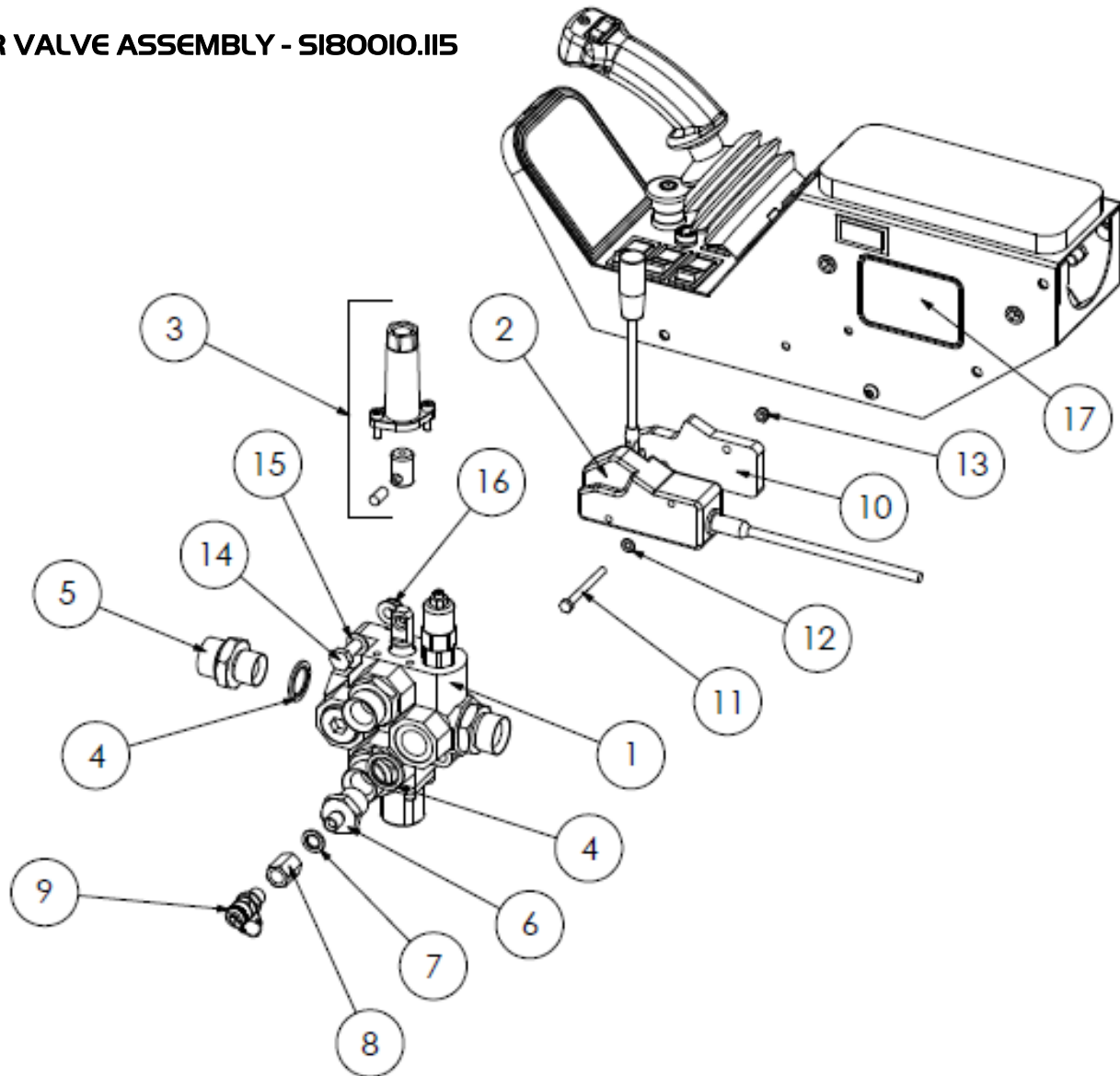
Spearhead TWIGA

CONTROL VALVE: 4 BANK – S180010.118
 CONTROL VALVE: 5 BANK TELE/FR – S180010.94
 CONTROL VALVE: 5 BANK AP – S180010.95
 CONTROL VALVE: 6 BANK – S180010.96

REF NO.	PART NO.	118	94	95	96	DESCRIPTION
1	3910295	1	-	-	-	4 BANK CONTROL VALVE (Pg 60)
1	3910298	-	1	-	-	5 BANK CONTROL VALVE (Pg 60)
1	3910291	-	-	1	-	5 BANK CONTROL VALVE (Pg 60)
1	3910269	-	-	-	1	6 BANK CONTROL VALVE (Pg 60)
2	3900081	1	1	1	1	FILTER (Pg 71)
3	2770430	2	2	2	2	M8 X 60 BOLT
4	2770433	2	2	2	2	M8 SPRING WASHER
5	2770432	2	2	2	2	M8 FLAT WASHER
6	3260070	1	1	1	1	1/4" BONDED SEAL
7	3700258	9	11	11	13	1/4" M-M ADAPTOR
8	3360079	1	1	1	1	3/8" FM - 1/4" M SW
9	3260071	10	12	11	13	3/8" BONDED SEAL
10	3360083	5	7	6	8	1/4"-3/8" M-M ADAPTOR
11	3360098	2	2	2	2	1/4"-3/8" M-M R 1.0mm
12	3360104	1	1	1	1	1/4"-3/8" M-M R 2.0mm
13	3360111	1	1	1	1	3/8" TEST PORT
14	3460099	1	1	1	1	3/8" M-FM-M TEE
15	3360086	1	1	1	1	3/8" M-M ADAPTOR
16	3360088	1	1	1	1	3/8"-1/2" M-M ADAPTOR

Spearhead TWIGA

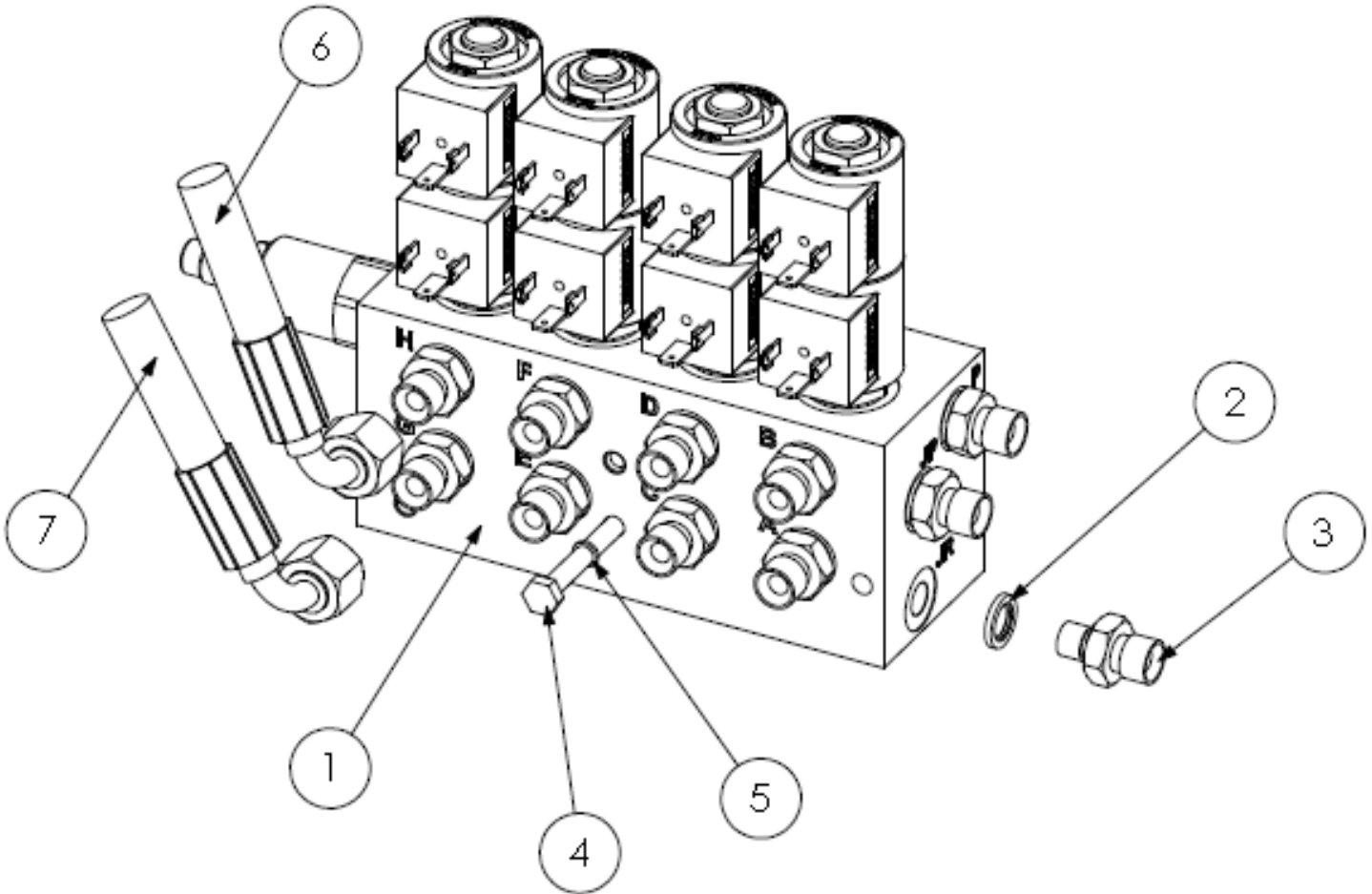
ROTOR VALVE ASSEMBLY - S180010.I15



REF NO.	PART NO.	QTY.	DESCRIPTION
1	48033.02	1	VALVE (Pg 65)
2	47531.05	1	CABLE AND LEVER ASSEMBLY
3	47539.01	1	CABLE FITTING KIT
4	3260073	5	3/4" BONDED SEAL
5	3360091	4	3/4" M - 1" M ADAPTOR
6	3360085	1	3/4" M - 1/4" M ADAPTOR
7	3260070	1	1/4" BONDED SEAL
8	3360110A	1	1/4" BARREL
9	3360110	1	1/4" TEST PORT
10	1800334	1	SPACER PLATE
11	30.072.08	2	M6 X 65 SKT CAP SCREW
12	2771408	2	M6 FLAT WASHER
13	2770373	2	M6 NYLOCK
14	2772283	2	M10 X 45 BOLT
15	2770434	4	M10 FLAT WASHER
16	05.287.21	2	M10 FLANGED NYLOCK
17	8770489	1	ROTOR CONTROL DECAL

Spearhead TWIGA

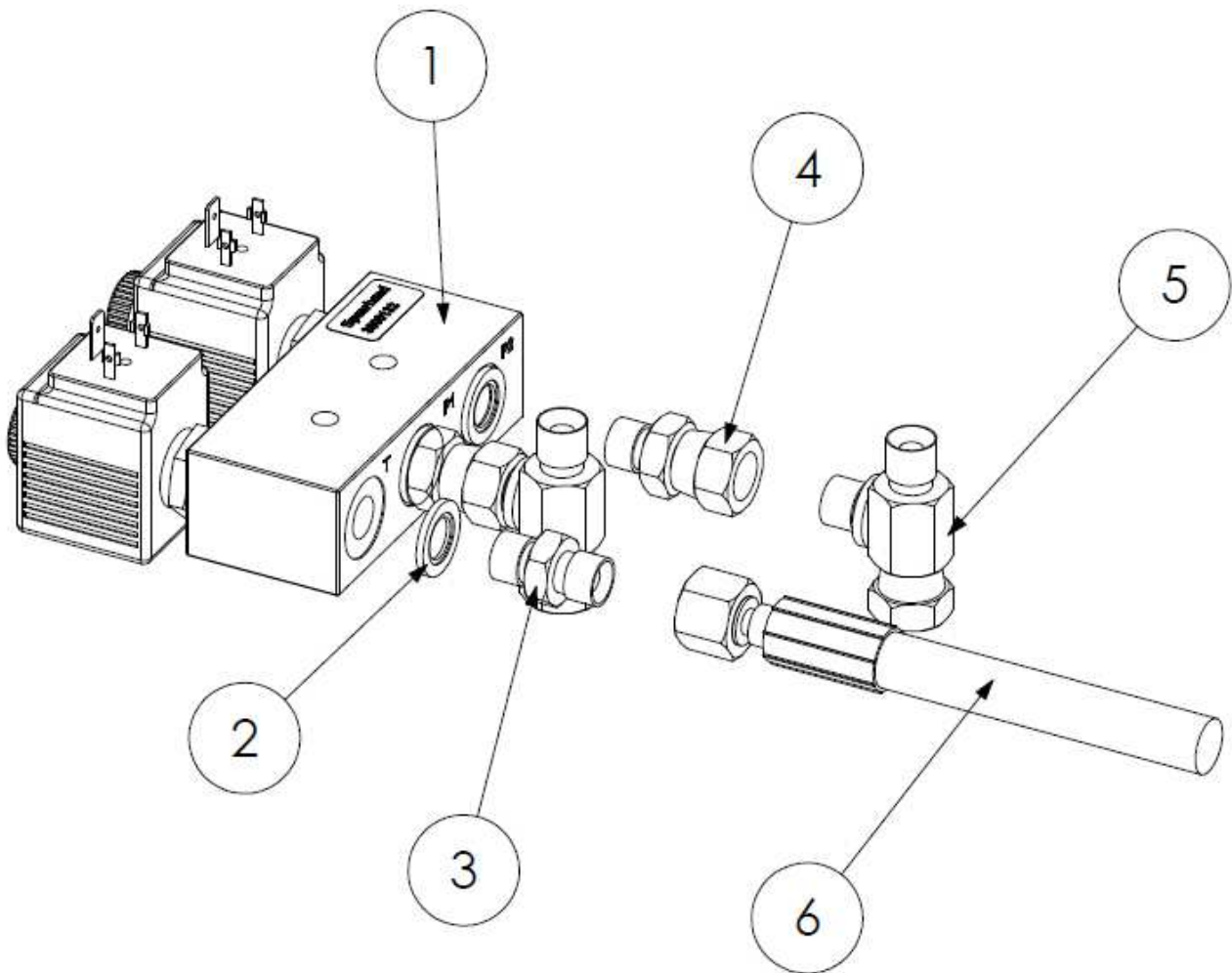
PILOT VALVE: 2 BANK – S180014.79
 PILOT VALVE: 3 BANK – S180010.99
 PILOT VALVE: 4 BANK – S180010.101



REF NO.	PART NO.	2 BANK	3 BANK	4 BANK	DESCRIPTION
1	3610102	1	-	-	2 BANK PILOT VALVE (Pg 75)
1	3610103	-	1	-	3 BANK PILOT VALVE (Pg 75)
1	3610104	-	-	1	4 BANK PILOT VALVE (Pg 75)
2	3260069	8	10	12	1/8" BONDED SEAL
3	3250150	8	10	12	1/8" M - 1/4" M ADAPTOR
4	30.068.93	2	2	2	M6 X 70 BOLT
5	05.282.07	2	2	2	M6 SPRING WASHER
6	3760456	-	1	2	SHORT LINK HOSE
7	3760457	-	1	2	LONG LINK HOSE

Spearhead TWIGA

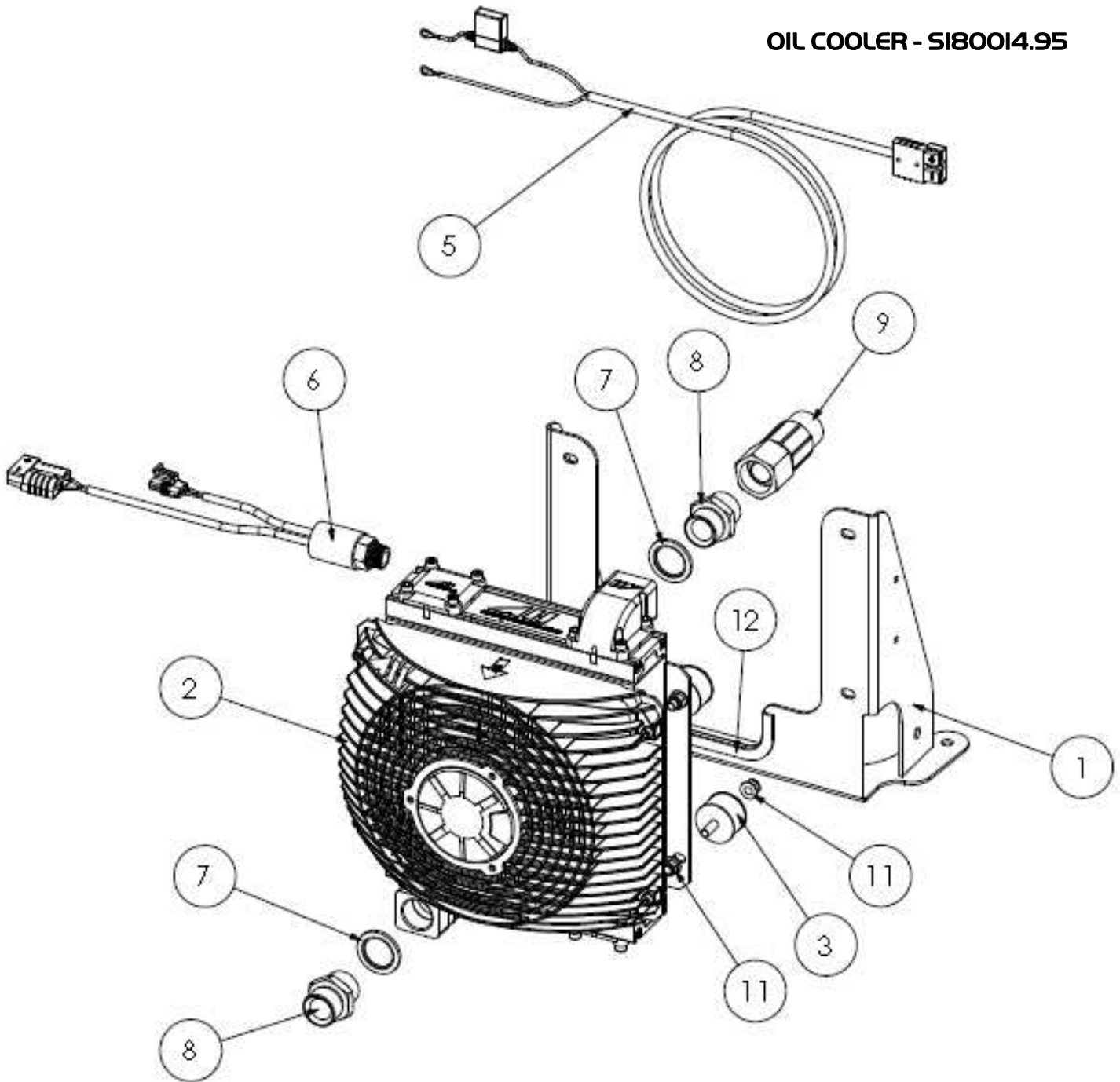
HEAD FLOAT ASSEMBLY – S180010.I21



REF NO.	PART NO.	QTY.	DESCRIPTION
1	3600132	1	HEAD FLOAT VALVE (Pg 72)
2	3260070	3	1/4" BONDED SEAL
3	3360080	3	1/4" M-M ADAPTOR
4	3360081	2	1/4" M-FM ADAPTOR
5	3460300	2	1/4" FM/M/M TEE
6	3760123	1	HOSE: 1/4" - 430mm

Spearhead TWIGA

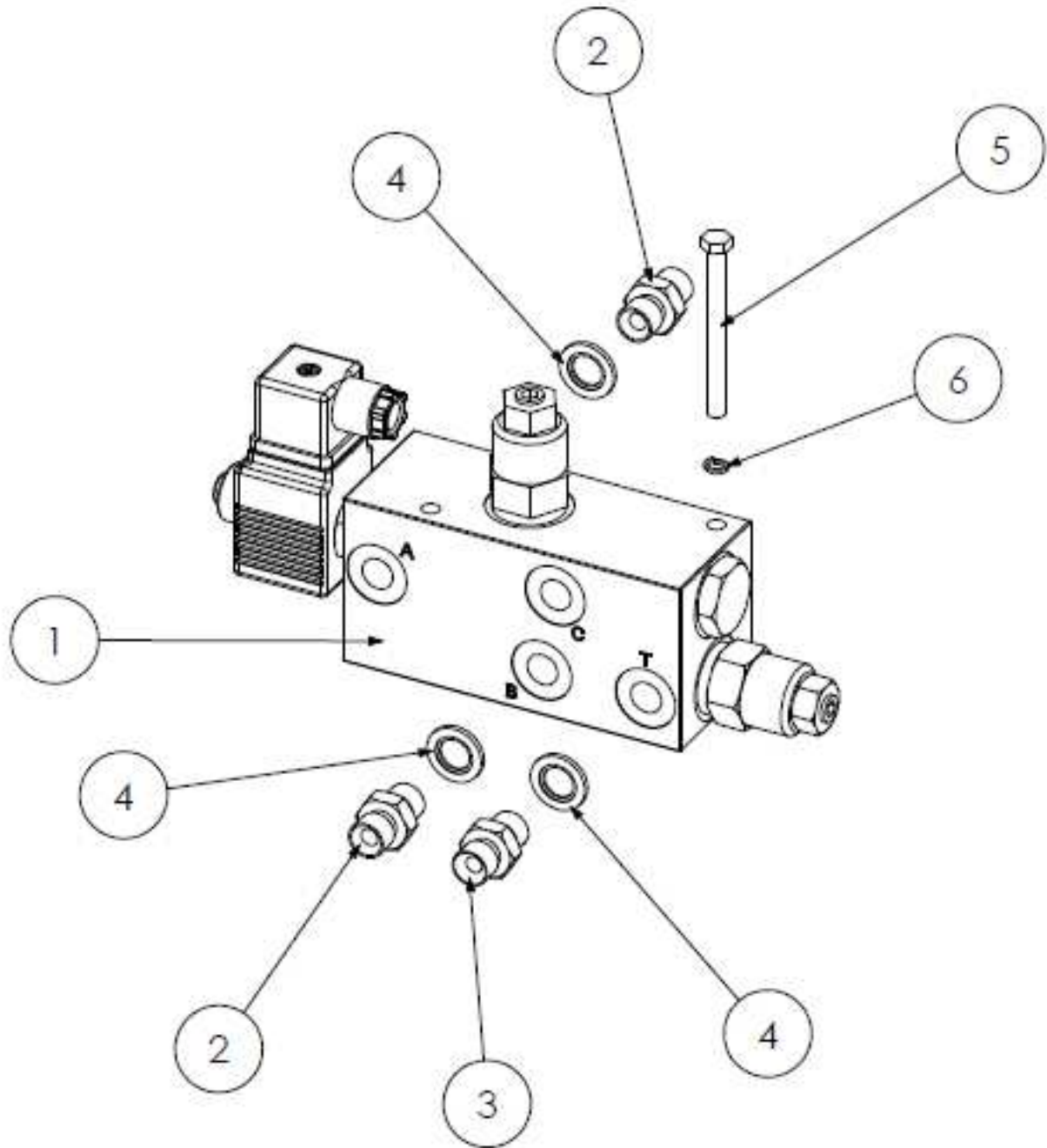
OIL COOLER - S180014.95



REF NO.	PART NO.	QTY.	DESCRIPTION
1	181398	1	MOUNT BRACKET
2	3151068	1	OIL COOLER
3	8770603	4	RUBBER MOUNT
5	8770844	1	POWER LEAD
6	3151128	1	THERMOSTAT
7	3260074	2	1" BONDED SEAL
8	3360092	2	1" M-M ADAPTOR
9	3760104	1	HOSE: 1" - 600mm
11	05.287.20	8	M8 NYLOCK
12	03.231.01	185	EDGING STRIP
13	30.058.66	6	CABLE TIE - SM

Spearhead TWIGA

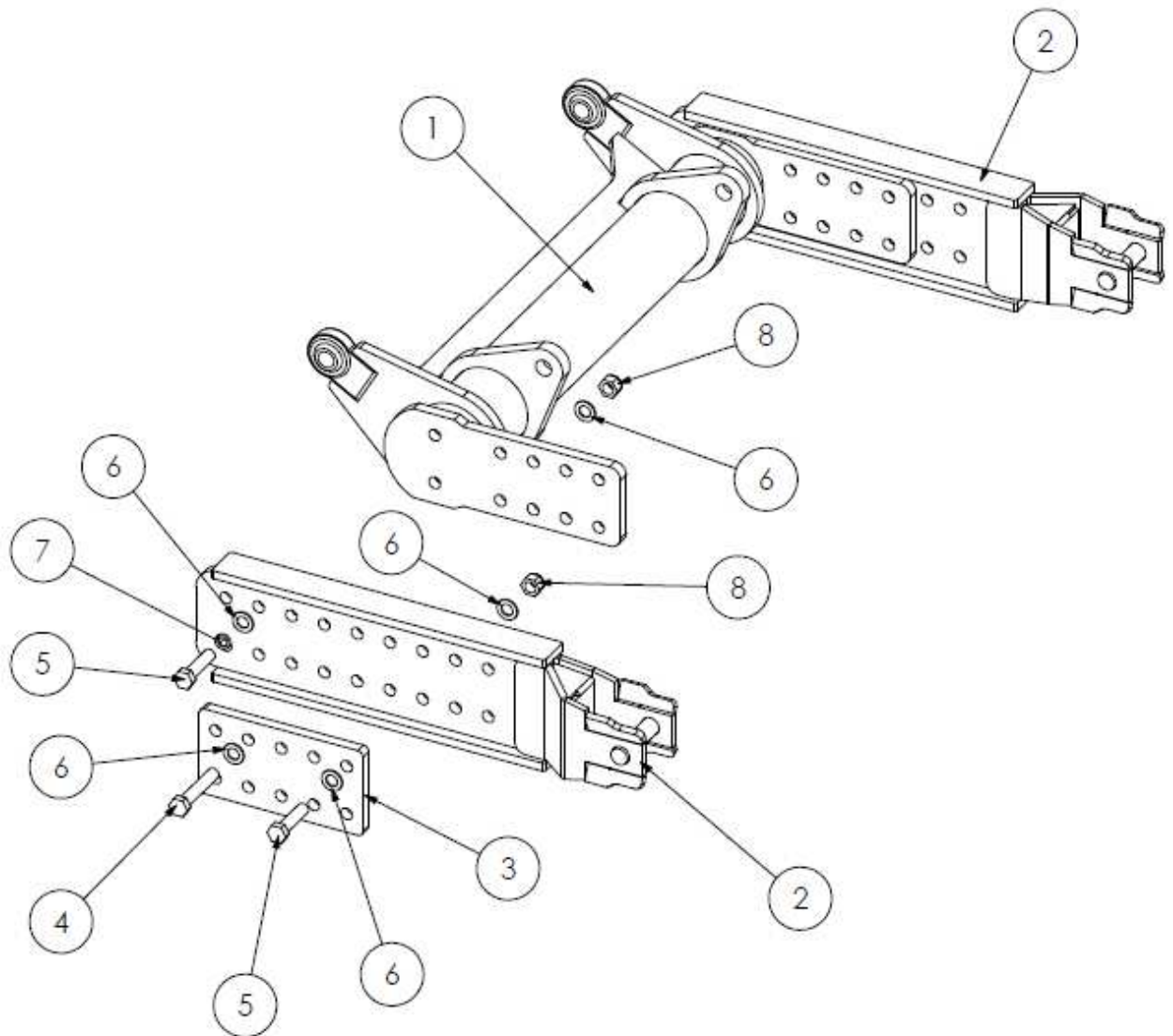
AUTO RESET VALVE ASSEMBLY – S180028.4I



REF NO.	PART NO.	QTY.	DESCRIPTION
1	3610057	1	VALVE ASSEMBLY (Pg 68)
2	3360080	6	¼" M-M
3	3360097	1	¼" M-M R1
4	3260070	7	¼" BONDED SEAL
5	30.068.93	2	M6 X 70 BOLT
6	05.282.07	2	M6 SPRING WASHER

Spearhead TWIGA

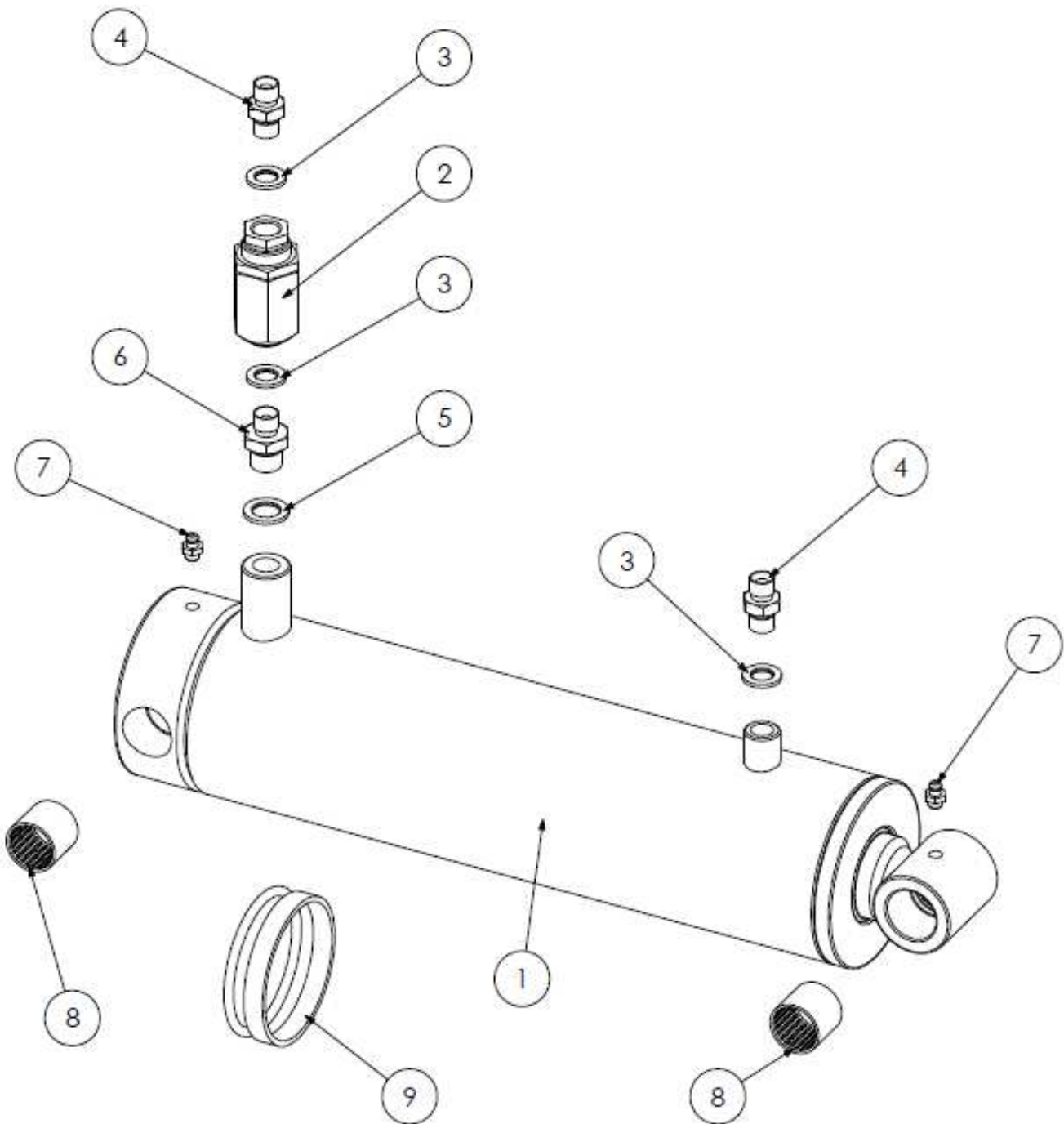
AXLE MOUNT SUB FRAME KIT – OPT0201



REF NO.	PART NO.	QTY.	DESCRIPTION
	OPT0201	1	AXLE MOUNT SUB FRAME KIT
1	1777030A	1	SUB FRAME
2	1777032A	2	ARM
3	1777035	2	BRACE PLATE
4	2770549	16	M20 X 100 BOLT
5	2770550	8	M20 X 80
6	2770517	44	M20 FLAT WASHER
7	05.282.05	4	M20 SPRING WASHER
8	2770409	20	M20 NYLOCK

Spearhead TWIGA

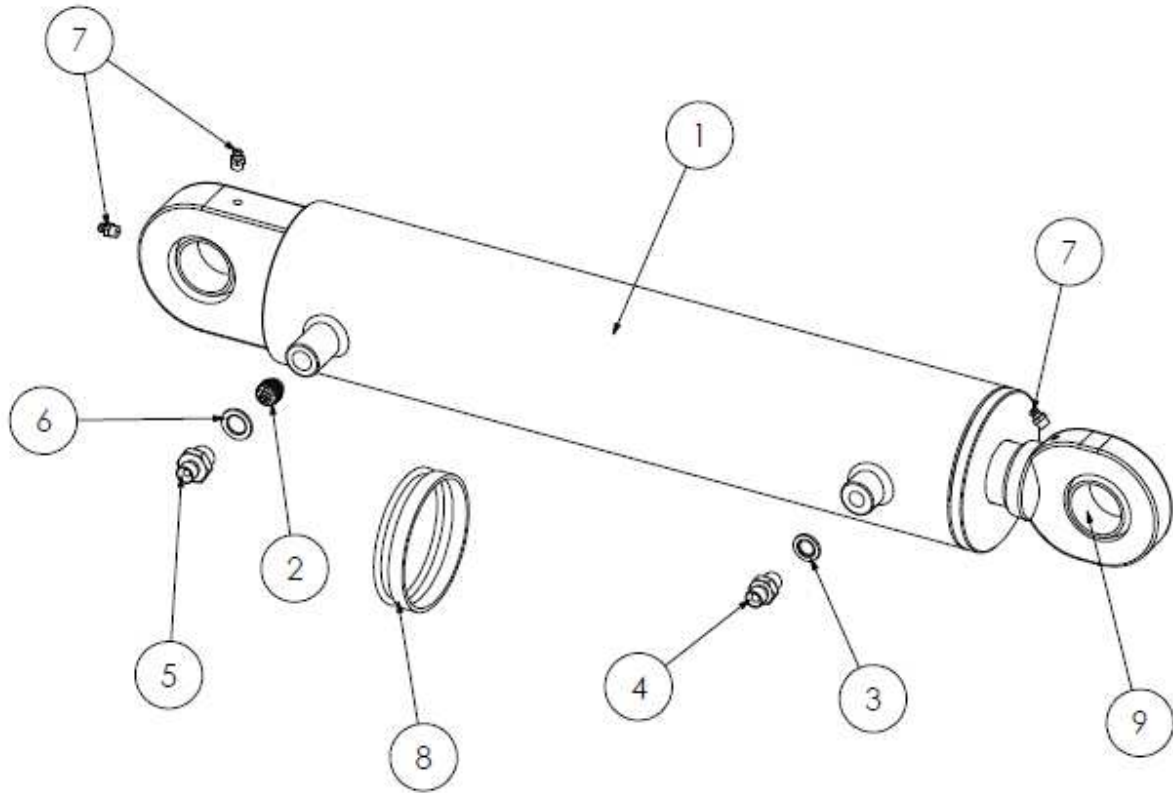
SLEW RAM – S180010.63



REF NO.	PART NO.	QTY.	DESCRIPTION
1	3580632	1	SLEW RAM
2	3900010	1	VARIABLE RESTRICTOR
3	3260070	3	1/4" BONDED SEAL
4	3360080	2	1/4" M-M ADAPTOR
5	3260071	1	3/8" BONDED SEAL
6	3360083	1	3/8" M - 1/4" M ADAPTOR
7	01.070.04	2	1/8 ST GREASE NIPPLE
8	4600413	4	BUSH
9	3570667HP	1	SEAL KIT

Spearhead TWIGA

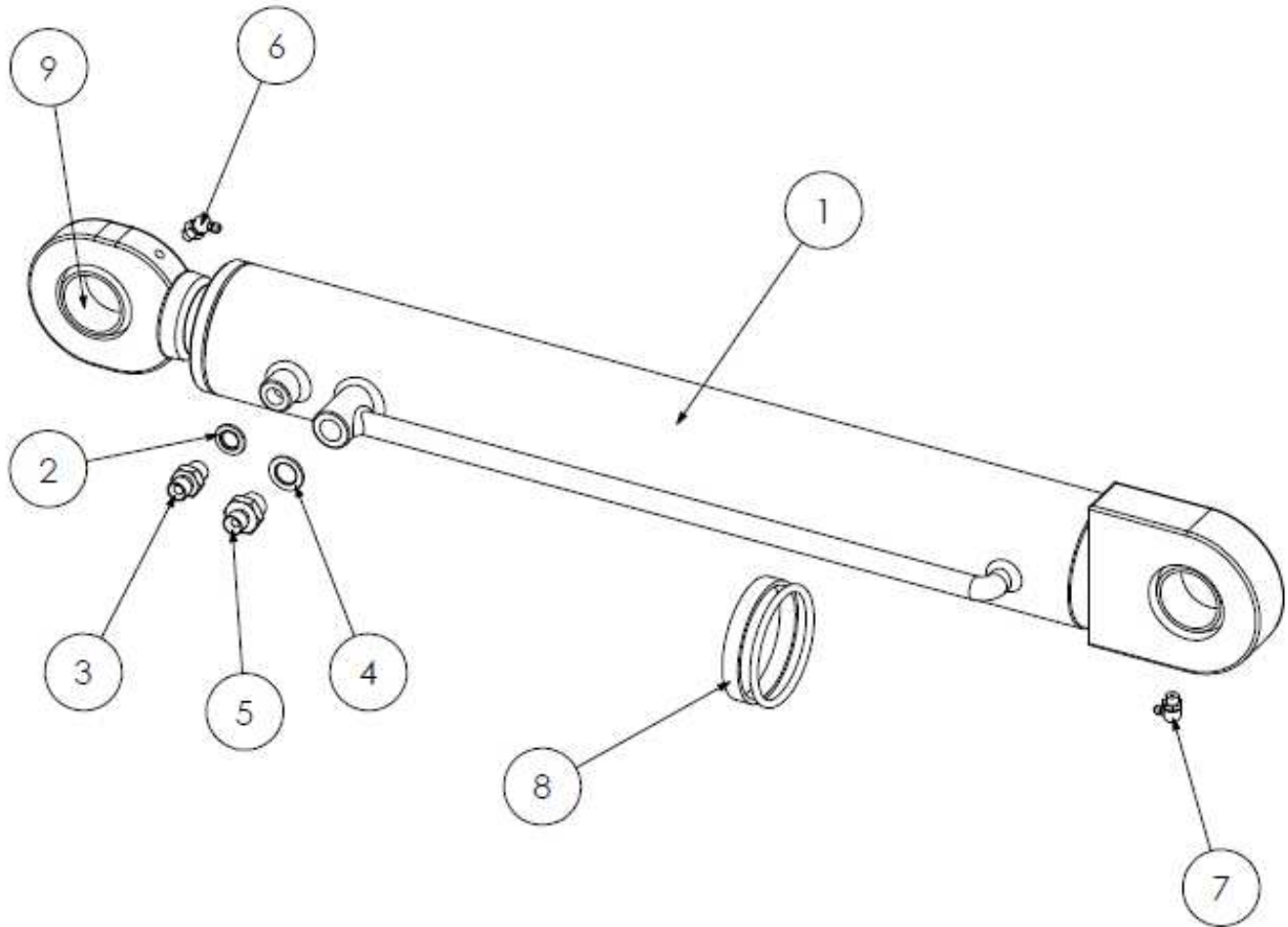
LIFT RAM - S180032.27



REF NO.	PART NO.	QTY.	DESCRIPTION
1	3580660B	1	LIFT RAM
2	3600118	1	HOSE BURST
3	3260070	1	1/4" BONDED SEAL
4	3360080	1	1/4" M-M ADAPTOR
5	3360083	1	3/8" M - 1/4" M ADAPTOR
6	3260071	1	3/8" BONDED SEAL
7	01.070.01	3	1/8 ST GREASE NIPPLE
8	3570668HP	1	SEAL KIT
9	3580660B.01	1	WELD ON BALL END

Spearhead TWIGA

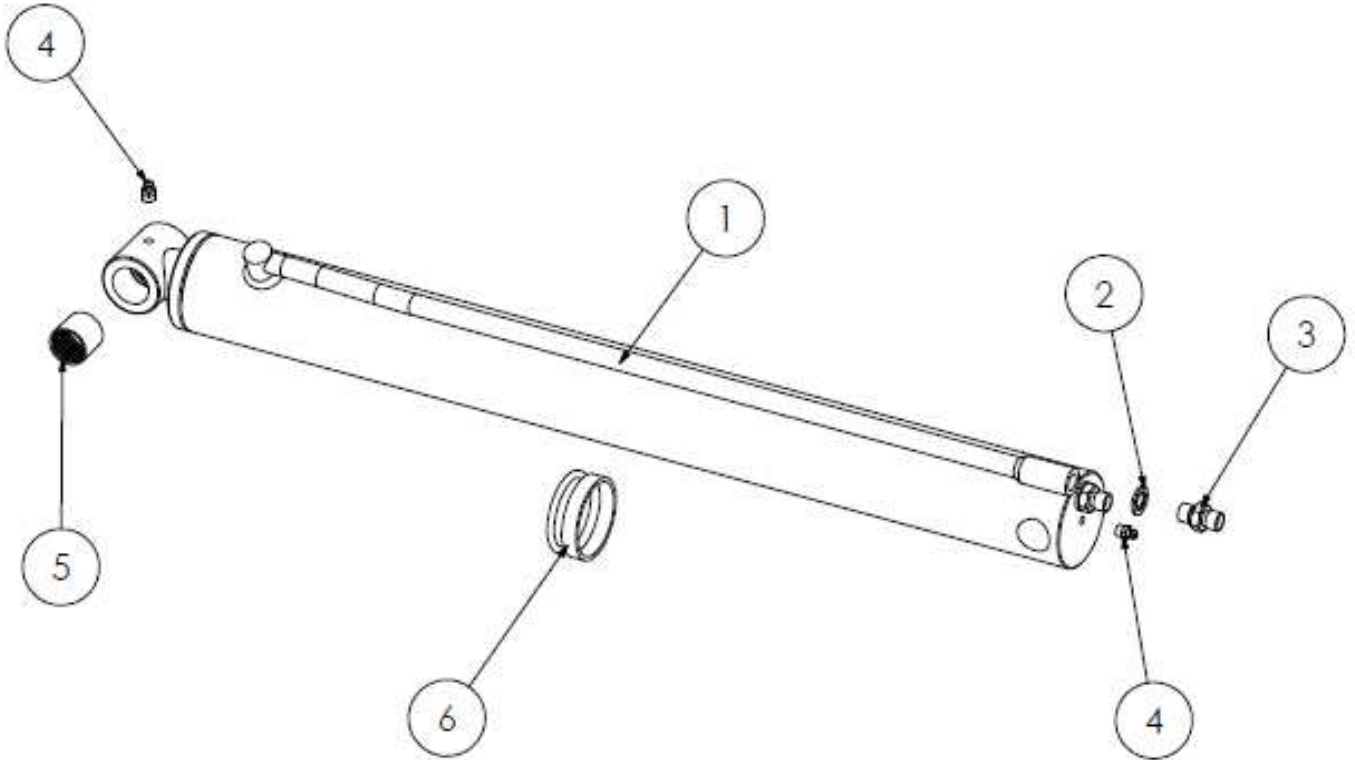
DIPPER RAM - S180032.28



REF NO.	PART NO.	QTY.	DESCRIPTION
1	3580640H	1	DIPPER RAM
2	3260070	1	1/4" BONDED SEAL
3	3360080	1	1/4" M-M ADAPTOR
4	3260071	1	3/8" BONDED SEAL
5	3360083	1	3/8" M - 1/4" M ADAPTOR
6	2770462	1	M6 45° GREASE NIPPLE
7	2770502	1	M6 90° GREASE NIPPLE
8	3580640H.01	1	SEAL KIT
9	3580660B.01	1	WELD ON BALL END

Spearhead TWIGA

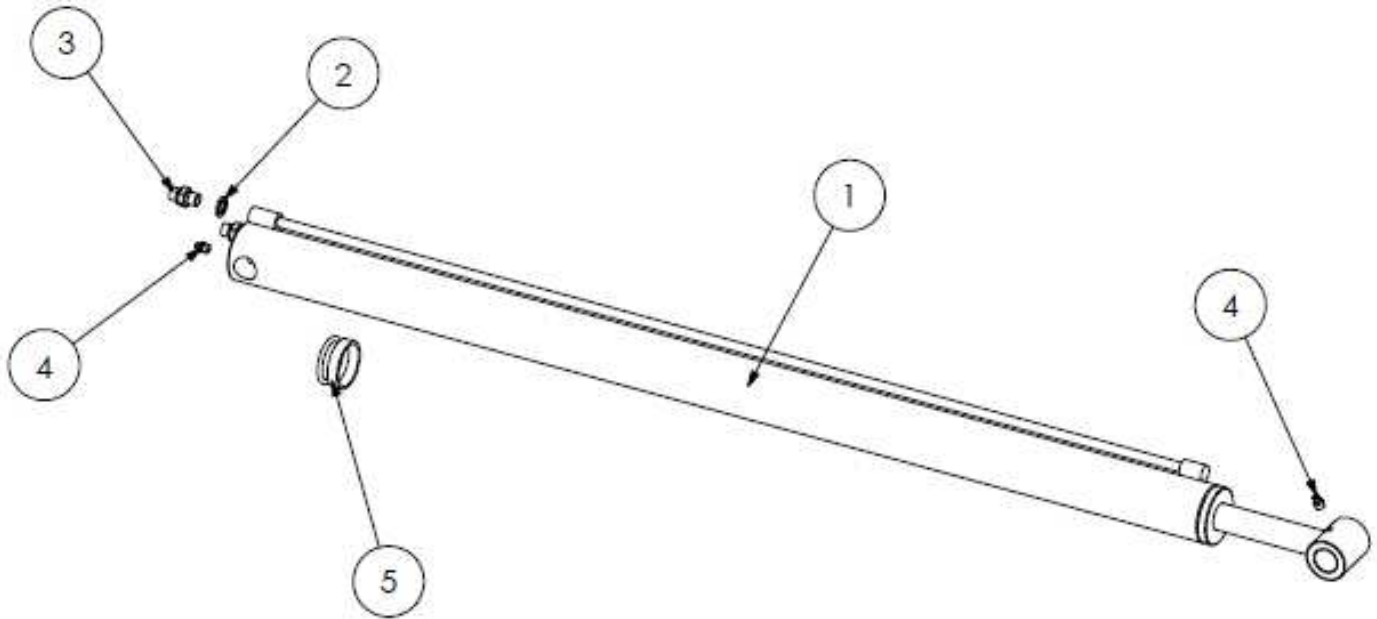
HEAD RAM – SI80032.29



REF NO.	PART NO.	QTY.	DESCRIPTION
1	3580636	1	HEAD RAM
2	3260070	2	1/4" BONDED SEAL
3	3360080	2	1/4" M-M ADAPTOR
4	01.070.04	2	1/8 ST GREASE NIPPLE
5	4600413	2	BUSH
6	3570666HP	1	SEAL KIT

Spearhead TWIGA

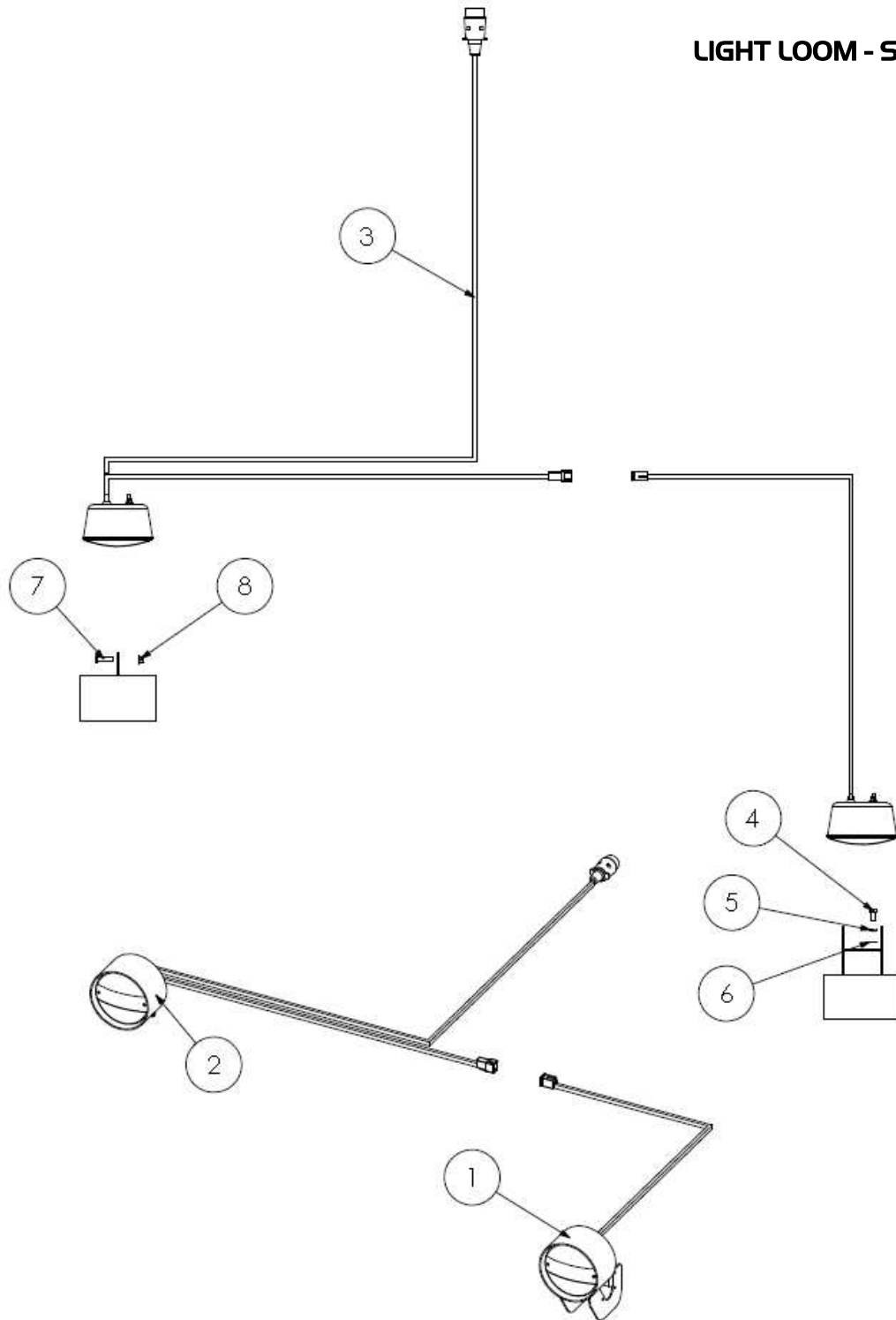
TELE RAM – 5180032.30



REF NO.	PART NO.	QTY.	DESCRIPTION
1	3580653A	1	TELE RAM
2	3260070	2	1/4" BONDED SEAL
3	3360080	2	1/4" M-M ADAPTOR
4	01.070.04	2	1/8 ST GREASE NIPPLE
5	3570665HP	1	SEAL KIT

Spearhead TWIGA

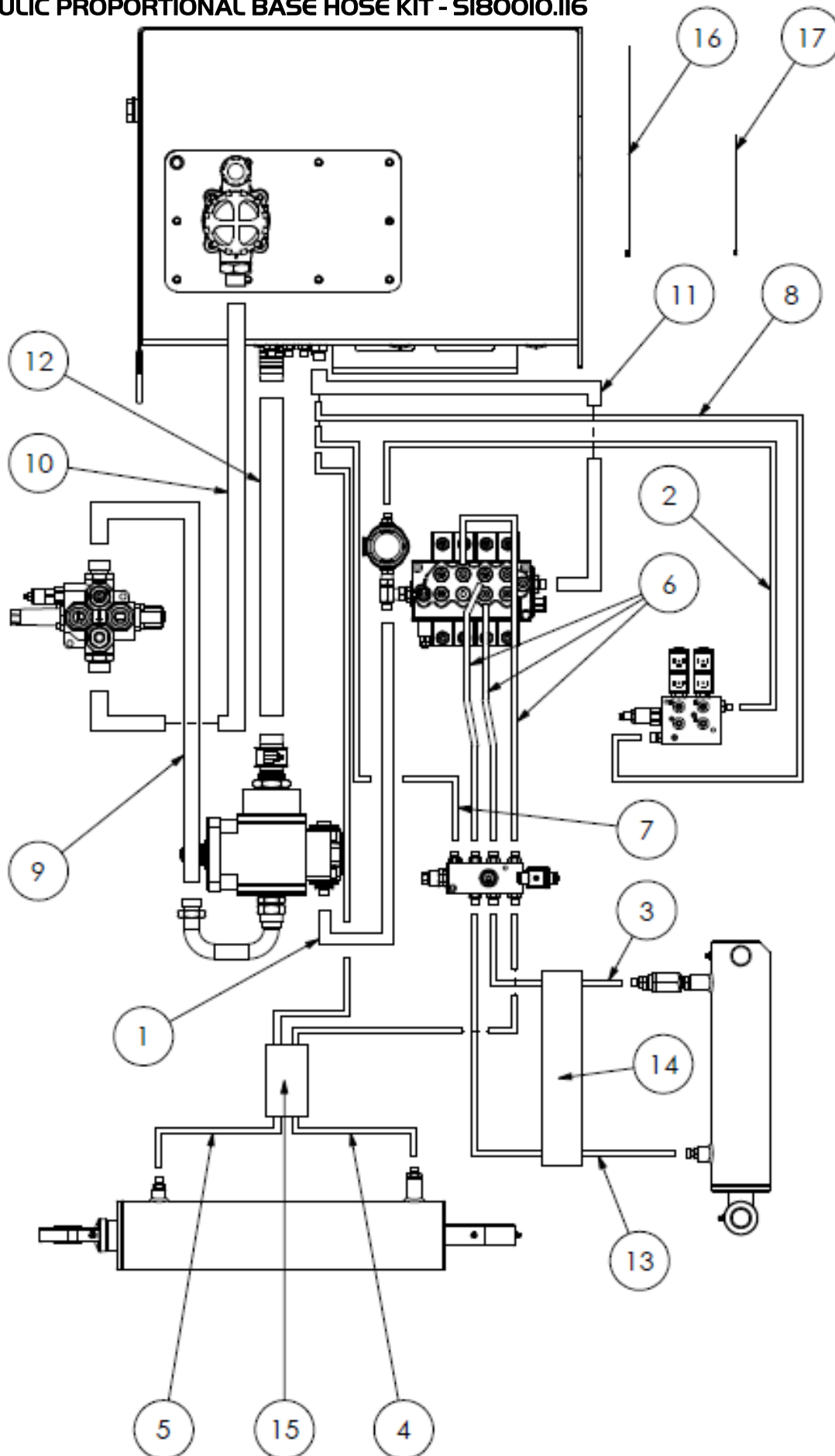
LIGHT LOOM - S180010.109



REF NO.	PART NO.	QTY.	DESCRIPTION
1	181414	1	TANK BRACKET
2	181644	1	A FRAME BRACKET
3	8770842	1	LIGHT LOOM
4	05.839.03	2	M8 X 16 BOLT
5	2770433	2	M8 SPRING WASHER
6	2770432	2	M8 FLAT WASHER
7	05.291.01	3	M8 X 30 BOLT
8	05.287.20	3	M8 NYLOCK NUT
9	30.058.66	6	CABLE TIE - SM

Spearhead TWIGA

HYDRAULIC PROPORTIONAL BASE HOSE KIT - S180010.I16



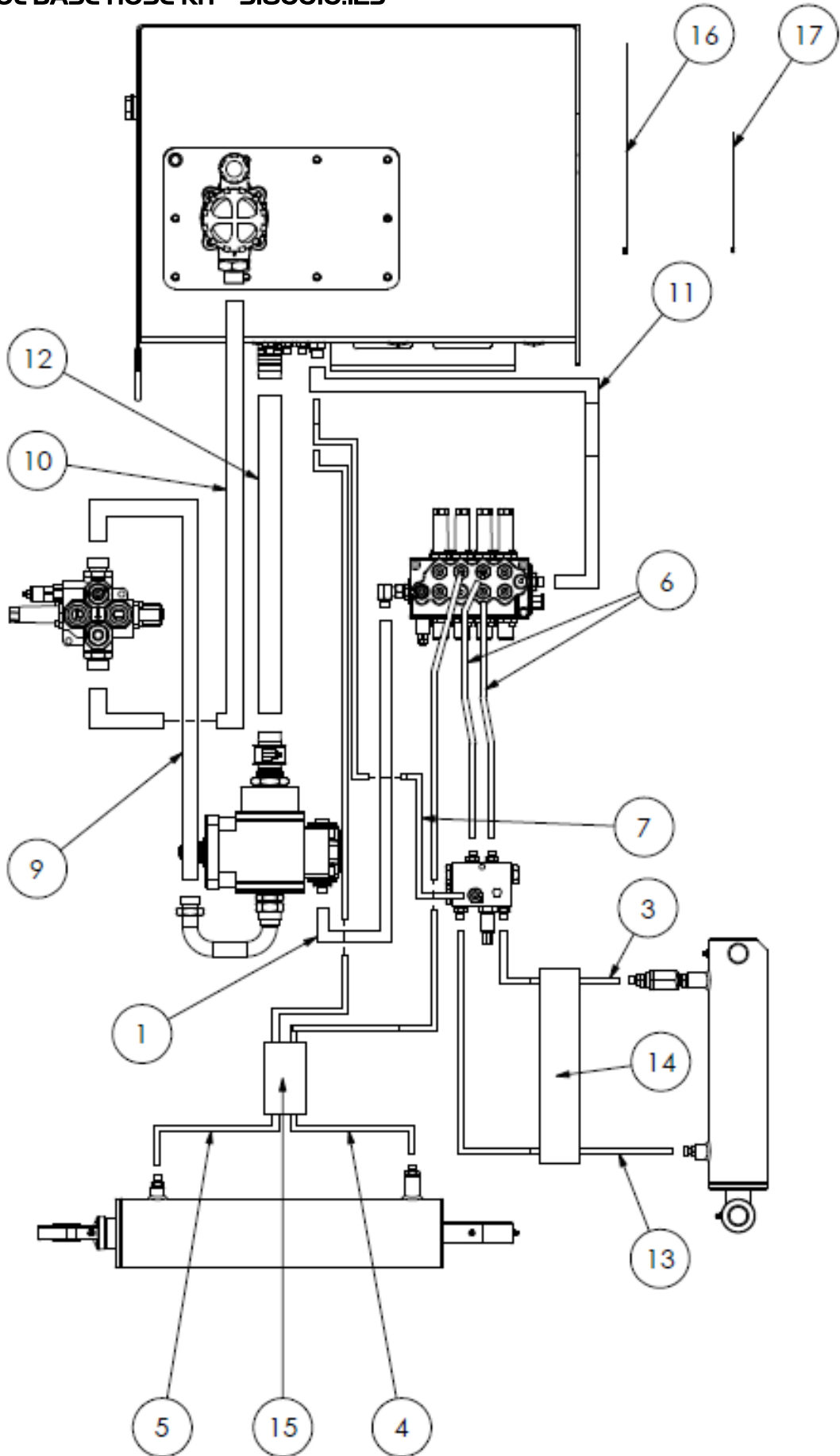
Spearhead TWIGA

HYDRAULIC PROPORTIONAL BASE HOSE KIT - S180010.I16

REF NO.	PART NO.	QTY.	DESCRIPTION
	3751516	-	BASE HOSE KIT
1	3751510.01	1	HOSE: 3/8" - 1050mm
2	3751510.05	1	HOSE: 1/4" - 670mm
3	3751510.06	1	HOSE: 1/4" - 600mm
4	3751516.01	1	HOSE: 1/4" - 1100mm
5	3751516.02	1	HOSE: 1/4" - 1600mm
6	3751516.03	3	HOSE: 1/4" - 460mm
7	3751516.04	1	HOSE: 1/4" - 460mm
8	3751516.05	1	HOSE: 1/4" - 600mm
9	3751516.06	1	HOSE: 1" - 810mm
10	3751516.07	1	HOSE: 1" - 620mm
11	3751516.08	1	HOSE: 1/2" - 520mm
12	3751516.09	1	HOSE: 1 1/2" - 385mm
13	3751516.10	1	HOSE: 1/4" - 400mm
14	43543.01	1	HOSE SLEEVE: 300mm SM
15	43543.03	1	HOSE SLEEVE: 1000mm SM
16	06.023.01	10	CABLE TIE - LRG
17	30.058.66	6	CABLE TIE - SM

Spearhead TWIGA

CABLE CONTROL BASE HOSE KIT - S180010.I23



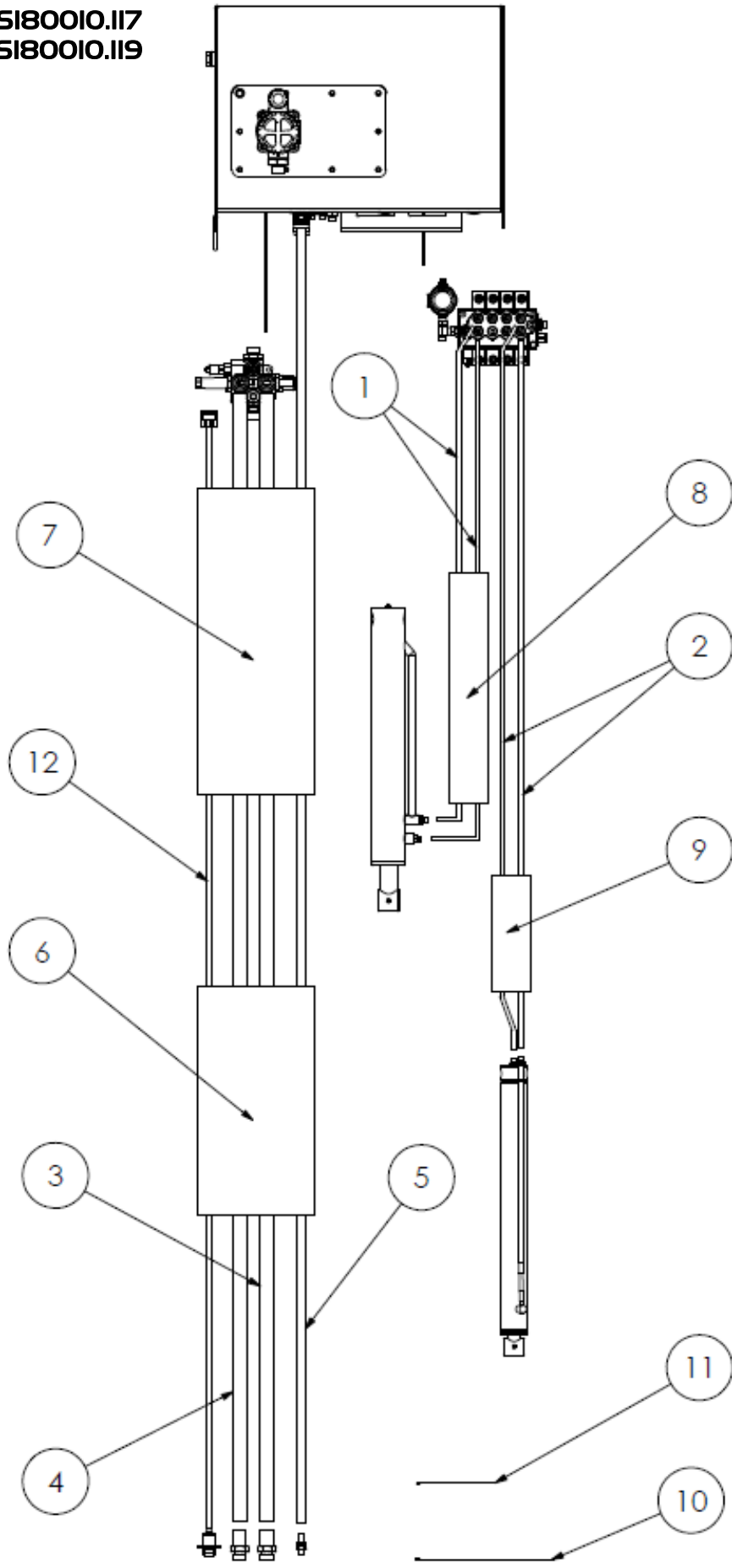
Spearhead TWIGA

CABLE CONTROL BASE HOSE KIT - S180010.123

REF NO.	PART NO.	QTY.	DESCRIPTION
	3751520	-	BASE HOSE KIT
1	3751510.01	1	HOSE: 3/8" - 1050mm
3	3751510.06	1	HOSE: 1/4" - 600mm
4	3751520.01	1	HOSE: 1/4" - 1500mm
5	3751516.02	1	HOSE: 1/4" - 1600mm
6	3751516.03	2	HOSE: 1/4" - 460mm
7	3751516.04	1	HOSE: 1/4" - 460mm
9	3751516.06	1	HOSE: 1" - 810mm
10	3751516.07	1	HOSE:1" - 620mm
11	3751516.08	1	HOSE: 1/2" - 520mm
12	3751516.09	1	HOSE: 1 1/2" - 385mm
13	3751516.10	1	HOSE: 1/4" - 400mm
14	43543.01	1	HOSE SLEEVE: 300mm SM
15	43543.03	1	HOSE SLEEVE: 1000mm SM
16	06.023.01	10	CABLE TIE - LRG
17	30.058.66	6	CABLE TIE - SM

Spearhead TWIGA

545 ARM HOSE KIT - S180010.I17
595 ARM HOSE KIT - S180010.I19



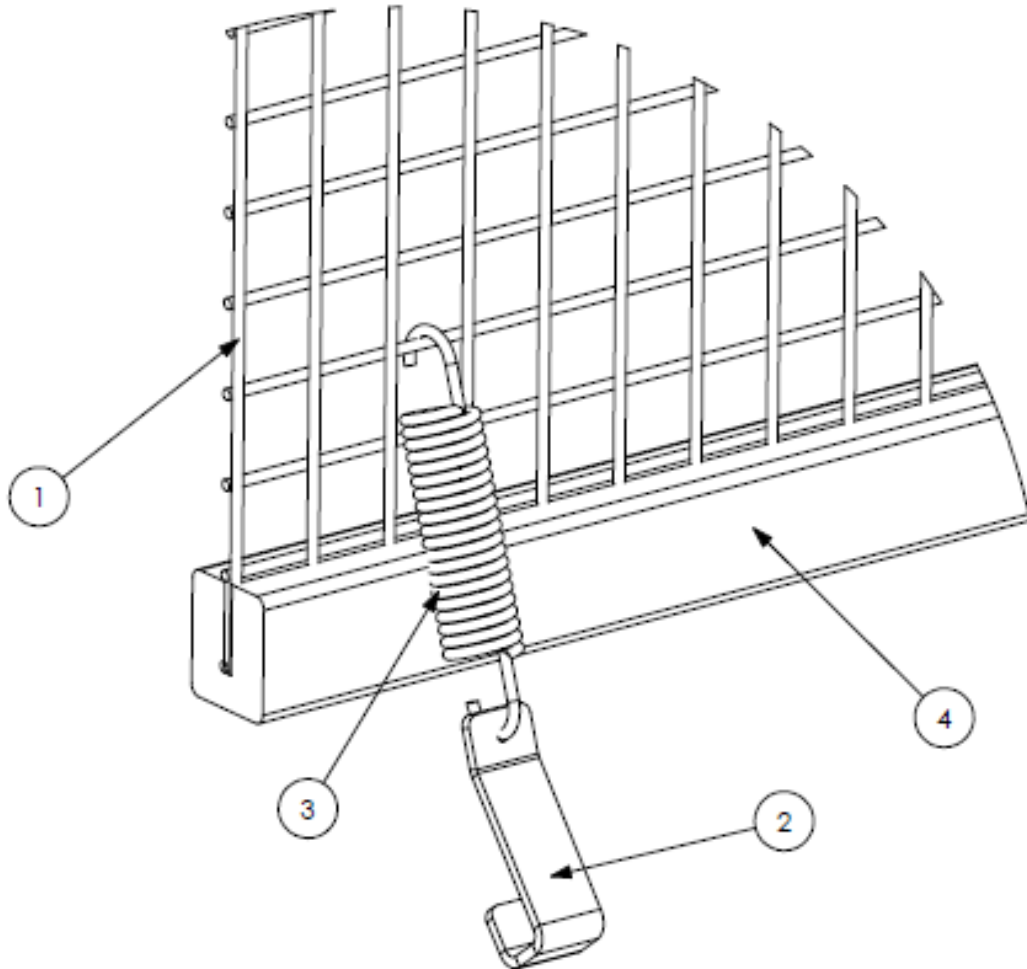
Spearhead TWIGA

545 ARM HOSE KIT - S180010.I17
595 ARM HOSE KIT - S180010.I19

REF NO.	PART NO.	545	595	DESCRIPTION
	3751517	1	-	545 ARM HOSE KIT
	3751518	-	1	595 ARM HOSE KIT
1	3751517.01	2	2	HOSE: 1/4" - 2200mm
2	3751517.02	2	2	HOSE: 1/4" - 5000mm
3	3751517.03	1	-	HOSE: 1" - 5470mm
3	3751518.01	-	1	HOSE: 1" - 5870mm
4	3751517.04	1	-	HOSE:1" - 5400mm
4	3751518.02	-	1	HOSE: 1" - 5800mm
5	3751517.05	1	-	HOSE: 3/8" - 5800mm
5	3751518.03	-	1	HOSE: 3/8" - 6400mm
6	43542.04	1	1	HOSE SLEEVE: 1300mm LRG
7	43542.19	1	1	HOSE SLEEVE: 1800mm LRG
8	43543.08	1	1	HOSE SLEEVE: 1800mm SM
9	43543.12	1	1	HOSE SLEEVE: 400mm SM
10	06.023.01	10	10	CABLE TIE - LRG
11	30.058.66	6	6	CABLE TIE - SM
12	8770873	1	1	ARM LOOM

Spearhead TWIGA

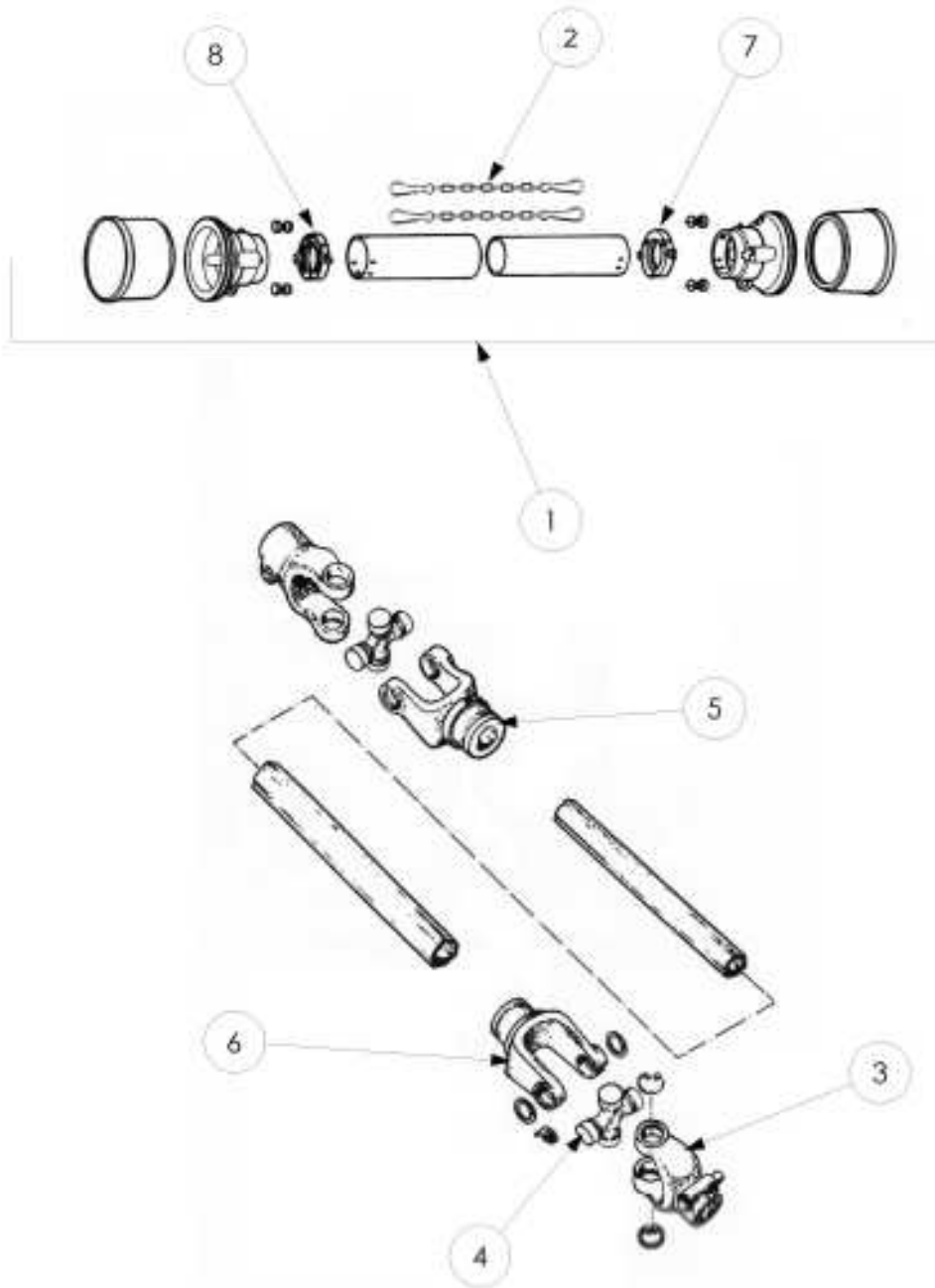
CAB GUARD KIT – SI80028.53



REF NO.	PART NO.	QTY.	DESCRIPTION
	OPT0603	1	CAB GUARD KIT
1	1777140	2	MESH PANEL
2	41745.01	10	HOOK
3	6310209	10	SPRING
4	8550134	1	FOAM - 5M

Spearhead TWIGA

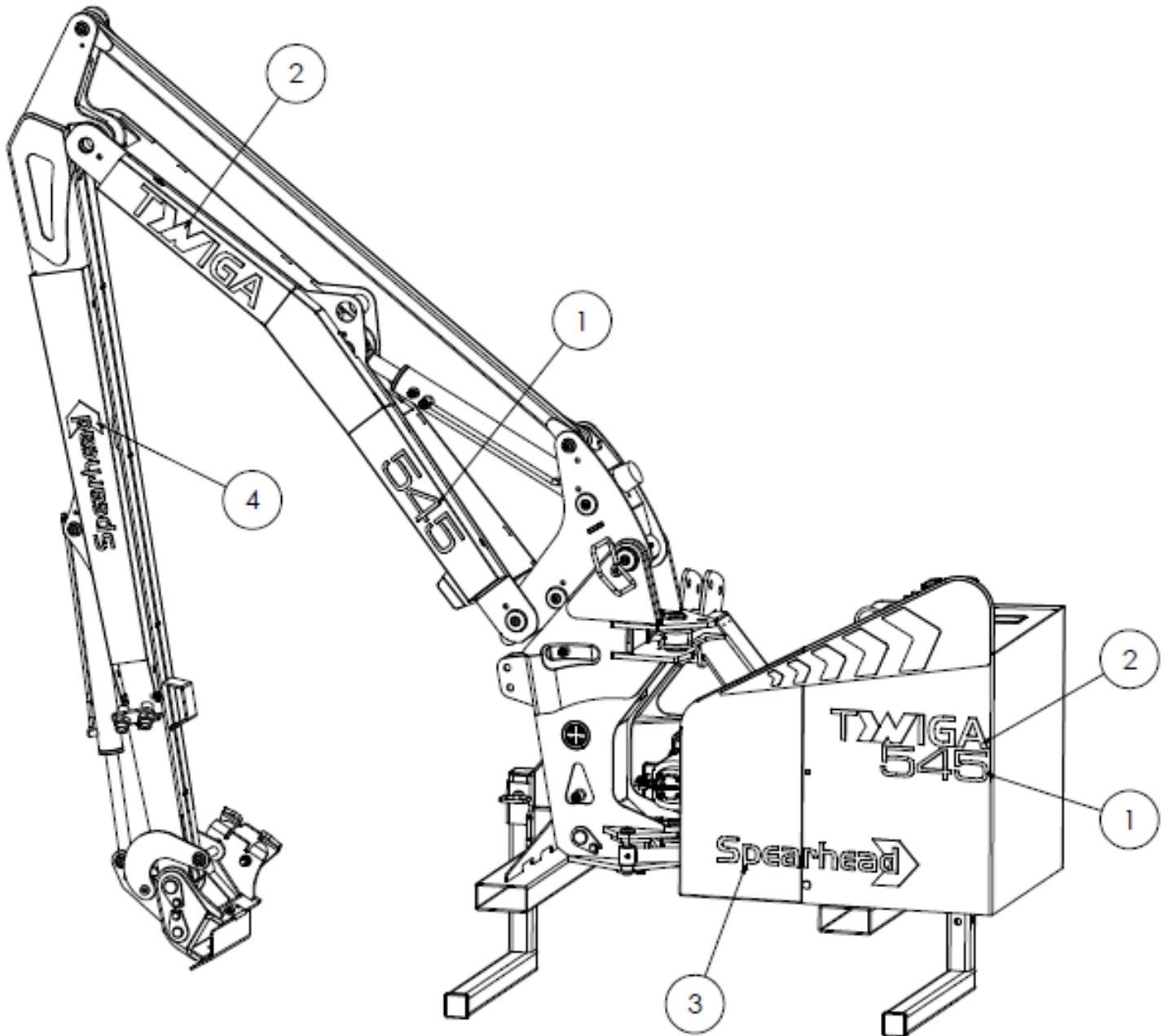
PTO ASSEMBLY



REF NO.	PART NO.	QTY.	DESCRIPTION
	5770084C	1	PTO ASSEMBLY
1	5772263	-	GUARD
2	5771020	-	CHAIN
3	5772240	-	YOKE – 6 SPLINE
3	5772241	-	YOKE – 21 SPLINE
4	5772242	-	CROSS JOURNAL
5	5772244	-	INNER YOKE
6	5772264	-	OUTER YOKE
7	4770814	-	INNER BEARING
8	4770815	-	OUTER BEARING

Spearhead TWIGA

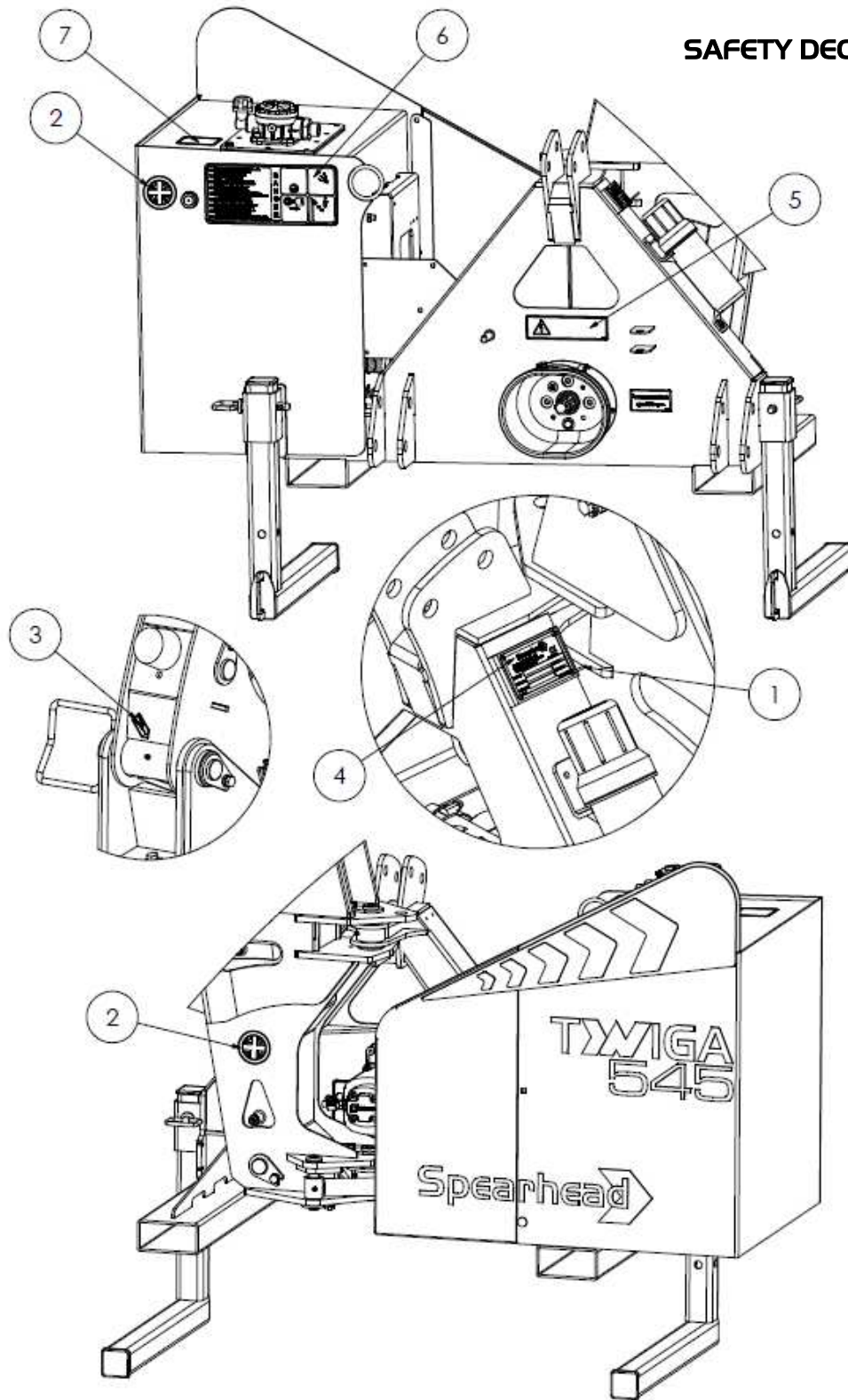
545 DECALS - SI80010.64
 595 DECALS - SI80010.65
 640T DECALS - SI80010.66
 545FR DECALS - SI80010.64
 595FR DECALS - SI80010.65



REF NO.	PART NO.	QTY.	DESCRIPTION
1	8770514	2	545
1	8770515	2	595
1	8770516	2	640T
1	8770596	2	545FR
1	8770597	2	595FR
2	8770376	2	TWIGA
3	8770373	1	SPEARHEAD
4	8770374	1	SPEARHEAD
4	8770388	1	SPEARHEAD - FR ONLY

Spearhead TWIGA

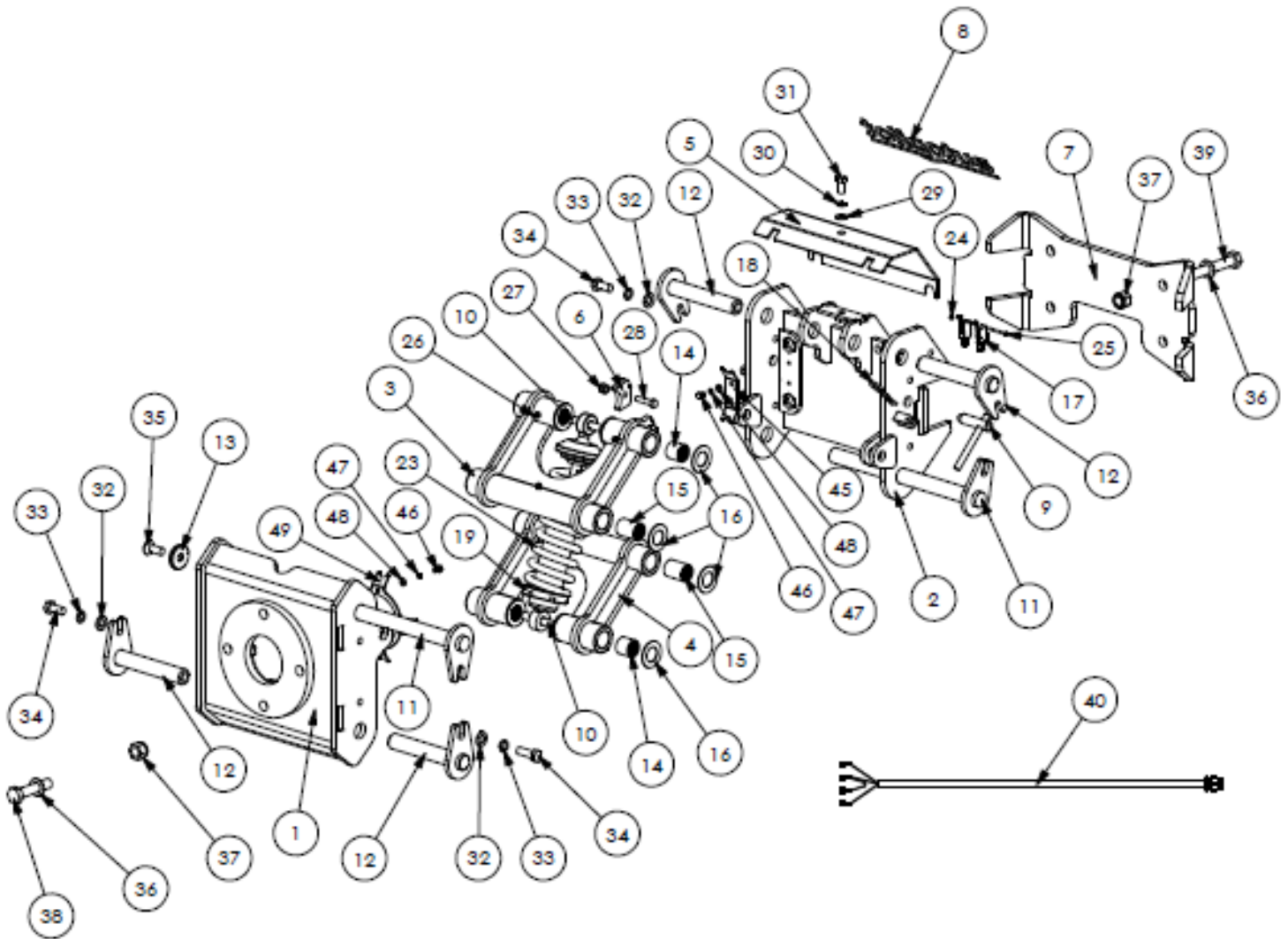
SAFETY DECALS - S180010.I12



REF NO.	PART NO.	QTY.	DESCRIPTION
1	7103230	4	RIVET
2	8770307	2	MADE IN GB DECAL
3	8770322	20	GREASE POINT DECAL
4	8770330	1	SERIAL NUMBER PLATE
5	8770346	1	CHECK CHAINS DECAL
6	8770470	1	SAFETY DECAL
7	8770549	1	FILTER CHANGE DECAL

Spearhead TWIGA

AUTOPILOT - S180032.55



REF NO.	PART NO.	QTY.	DESCRIPTION
1	1777816A	1	BACK PLATE
2	1777817A	1	FRONT PLATE
3	1777818A	1	FLOAT LINK + CAM
4	1777818B	1	FLOAT LINK
5	1777748A	1	CAM GUARD

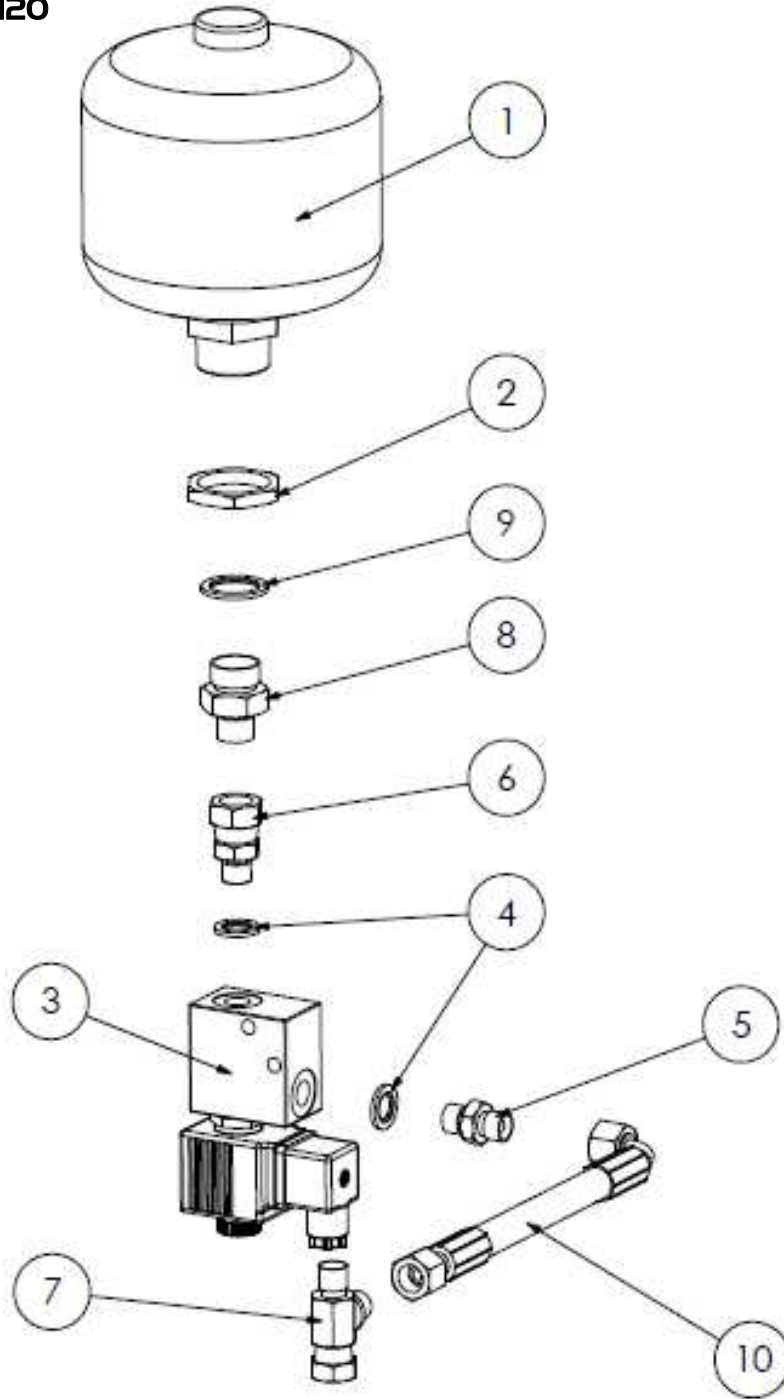
Spearhead TWIGA

AUTOPILOT – S180032.55

REF NO.	PART NO.	QTY.	DESCRIPTION
6	1777848A	1	CAM
7	1777325B	1	CLAMP PLATE
8	8770696	1	DECAL
9	1777749	2	LOCKING PIN
10	1777822	2	PIN
11	1777941	2	PEAR PIN: 25.4 X 310 mm
12	1777942	4	PEAR PIN: 25.4 X 145 mm
13	1777209	2	RETAINING WASHER - 40mm
14	4600417	8	BUSH - SHORT
15	4600418	4	BUSH - LONG
16	4600419	8	THRUST WASHER
17	3910275	2	SWITCH
18	6310194	2	R CLIP
19	8770600	1	SHOCK ABSORBER (Pg 70)
23	8770601	1	SPRING
24	2770233	4	M3 FULL NUT
25	2770237	2	M3 X 35 BOLT
26	2770467	6	M6 ST GREASE NIPPLE
27	2770416	1	M8 NYLOCK
28	2770488	1	M8 X 35 BOLT
29	2770434	1	M10 FLAT WASHER
30	2770469	1	M10 SPRING WASHER
31	2770407	1	M10 X 25 BOLT
32	2770436	6	M12 FLAT WASHER
33	2770442	6	M12 SPRING WASHER
34	2770484	6	M12 X 25 BOLT
35	2770506	2	M12 X 30 SKT CSK SCREW
36	2770454	8	M16 FLAT WASHER
37	2770447	8	M16 NYLOCK
38	05.291.39	4	M16 X 70 BOLT
39	2770346	4	M16 X 140 BOLT
40	8770655	1	AUTOPILOT LOOM
41	3760123	1	HOSE: 1/4" X 430mm
45	180223	2	NUT RETAINING PLATE
46	2770385	8	M6 X 10 BOLT
47	05.282.07	8	M6 SPRING WASHER
48	2771408	8	M6 FLAT WASHER
49	181378	1	NUT RETAINING RING

Spearhead TWIGA

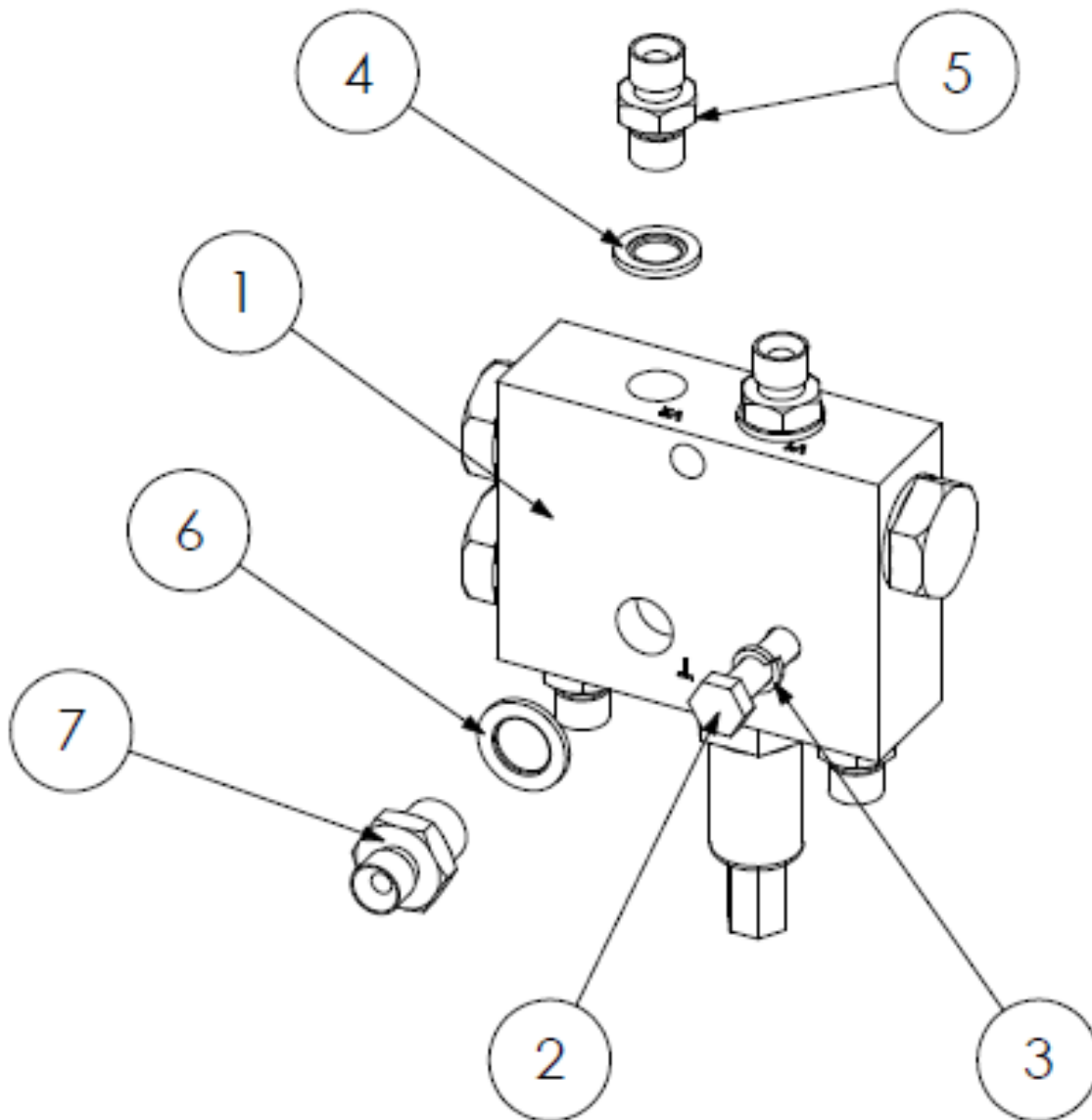
ARM FLOAT – S180010.I20



REF NO.	PART NO.	QTY.	DESCRIPTION
1	3900071	1	ACCUMULATOR BOTTLE - 32 Bar
2	8126035	1	M33 NUT
3	3610053	1	ELECTRONIC VALVE (Pg 73)
4	3260070	2	1/4" BONDED SEAL
5	3360080	1	1/4" M-M
6	3360079	1	1/4"-3/8" M-FM SW
7	3460300	1	1/4" FM/M/M TEE
8	G2410380	1	3/8"-M22 M-M
9	8650322	1	M22 BONDED SEAL
10	3760115	1	HOSE

Spearhead TWIGA

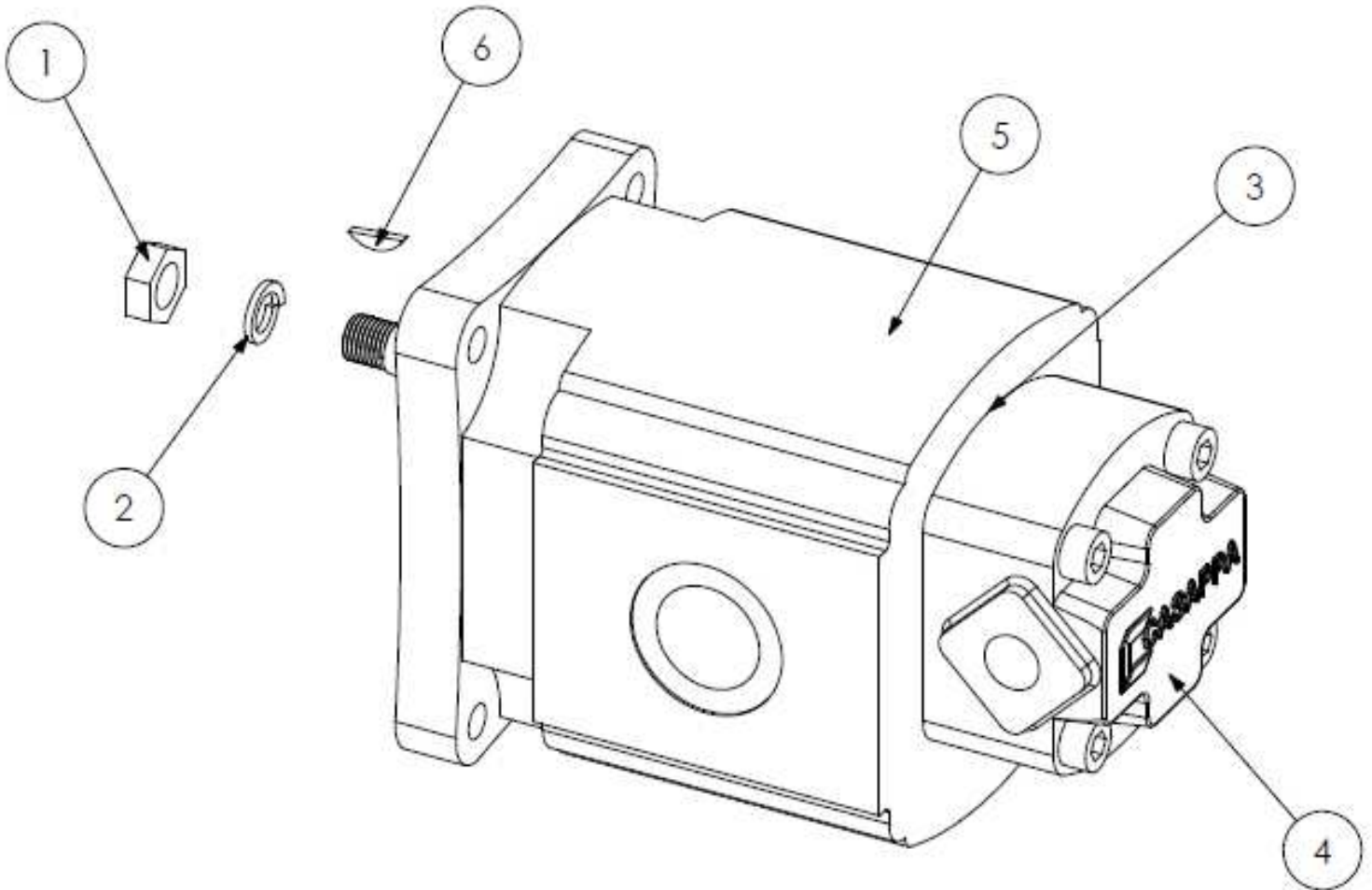
BREAK BACK – S180010.I24



REF NO.	PART NO.	QTY.	DESCRIPTION
1	3610056A	1	VALVE
2	05.291.03	2	M8 X 40 BOLT
3	2770433	2	M8 SPRING WASHER
4	3260070	4	1/4" BONDED SEAL
5	3360080	4	1/4" M-M
6	3260071	1	3/8" BONDED SEAL
7	3360083	1	1/4"M - 3/8"M ADAPTOR

Spearhead TWIGA

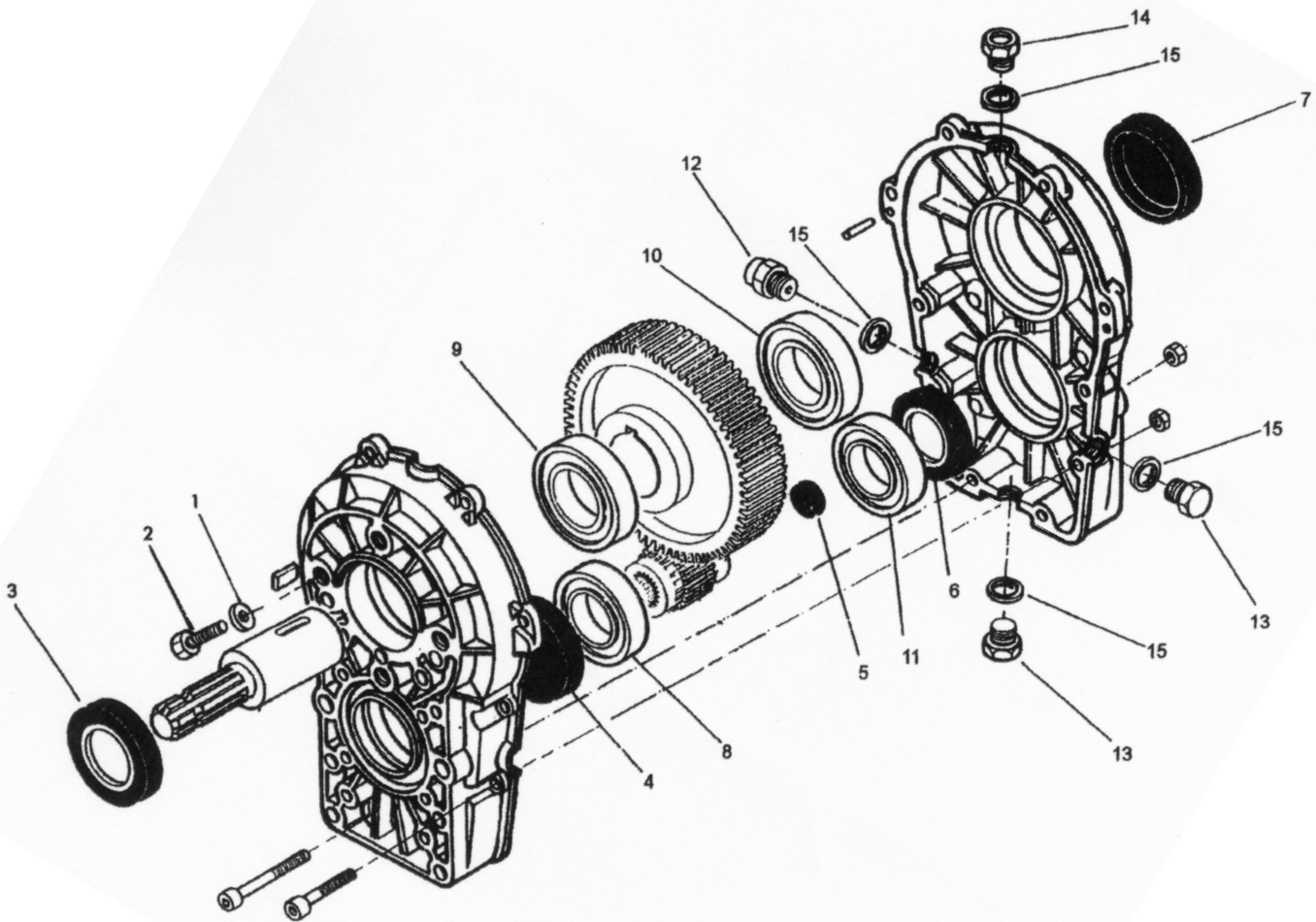
3151033A - TANDEM PUMP



REF NO.	PART NO.	QTY.	DESCRIPTION
	3151033A	-	PUMP ASSEMBLY
1	2770350	1	NUT
2	2770457	1	WASHER
3	3151021K	1	SEAL KIT
4	3151043	1	SERVICE PUMP
5	3500002	1	SHAFT SEAL
6	4772226	1	KEY

Spearhead TWIGA

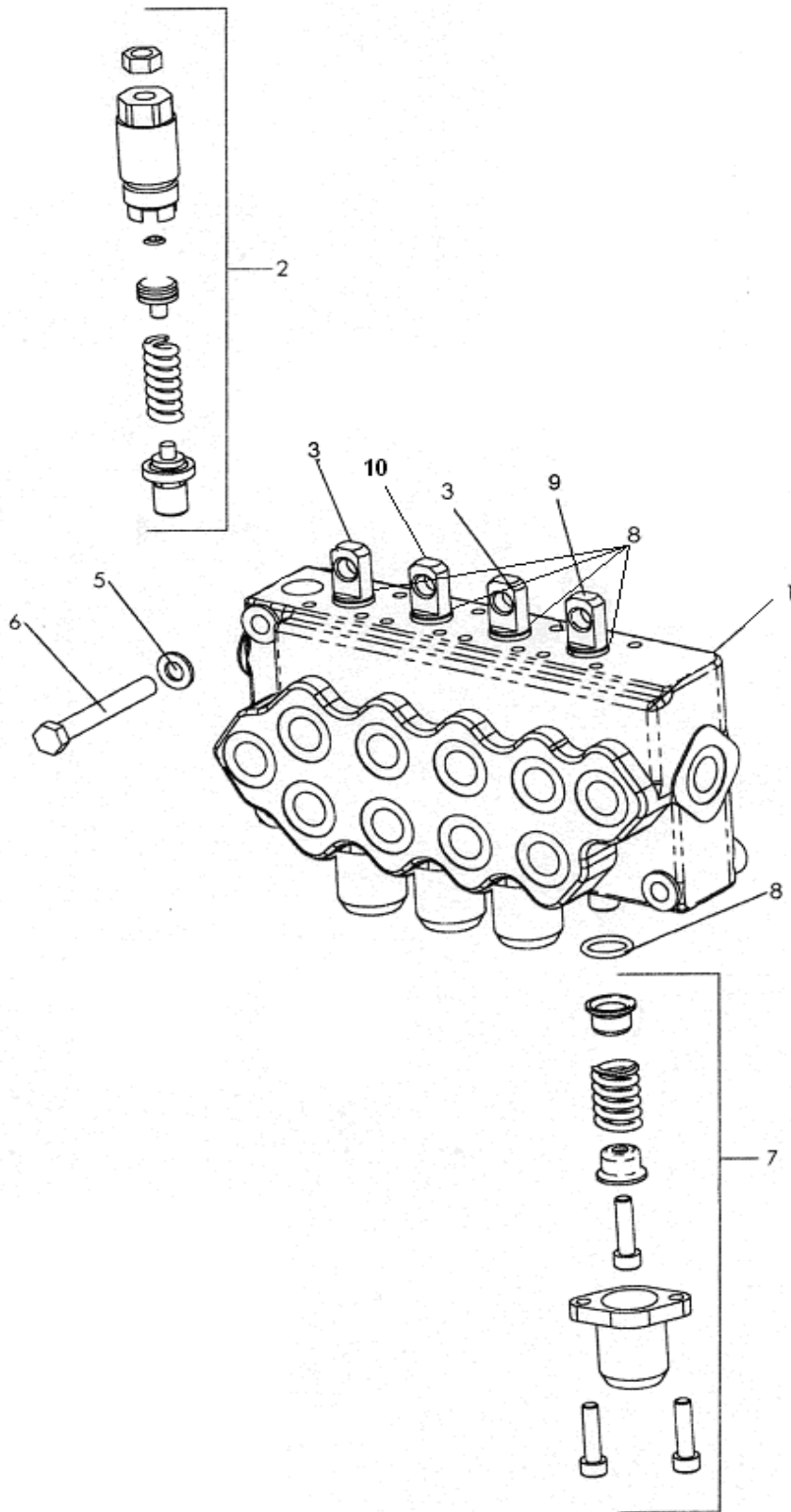
3610026 - GEARBOX



REF NO.	PART NO.	QTY.	DESCRIPTION
	3610026	-	GEARBOX ASSEMBLY
1	2770436	10	M12 FLAT WASHER
2	2770535	10	M12 X 35 BOLT
3	5771620	1	OIL SEAL
4	5771624	1	OIL SEAL
5	5771622	1	OIL SEAL
6	5771623	1	OIL SEAL
7	5771624	1	OIL SEAL
12	5771607	1	BREATHER
13	5771608	2	PLUG
14	5771610	1	GAUGE
15	5771609	4	WASHER

Spearhead TWIGA

CONTROL VALVE - CABLE



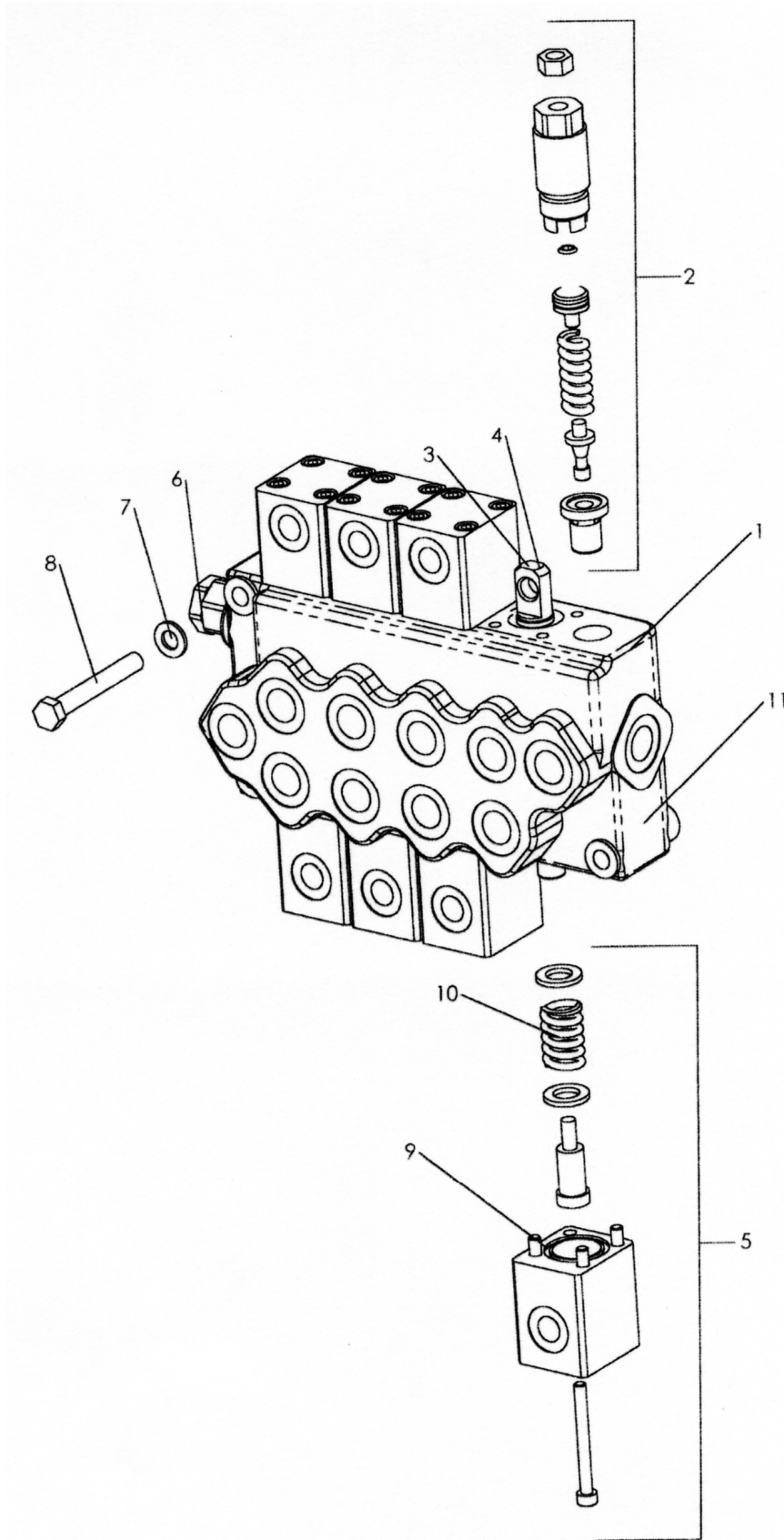
Spearhead TWIGA

CONTROL VALVE - CABLE

REF NO.	PART NO.	QTY.	DESCRIPTION
1	3600105	1	VALVE ASSEMBLY
2	3600093	1	RELIEF VALVE CARTRIDGE
3	3610096	2	DOUBLE ACTING SPOOL
7	3610000	4	SPRING KIT
8	3261000	4	O RING
9	3610001	1	FLOAT SPOOL
10	3610098	1	SINGLE ACTING SPOOL

Spearhead TWIGA

CONTROL VALVE - HYD. PROPORTIONAL



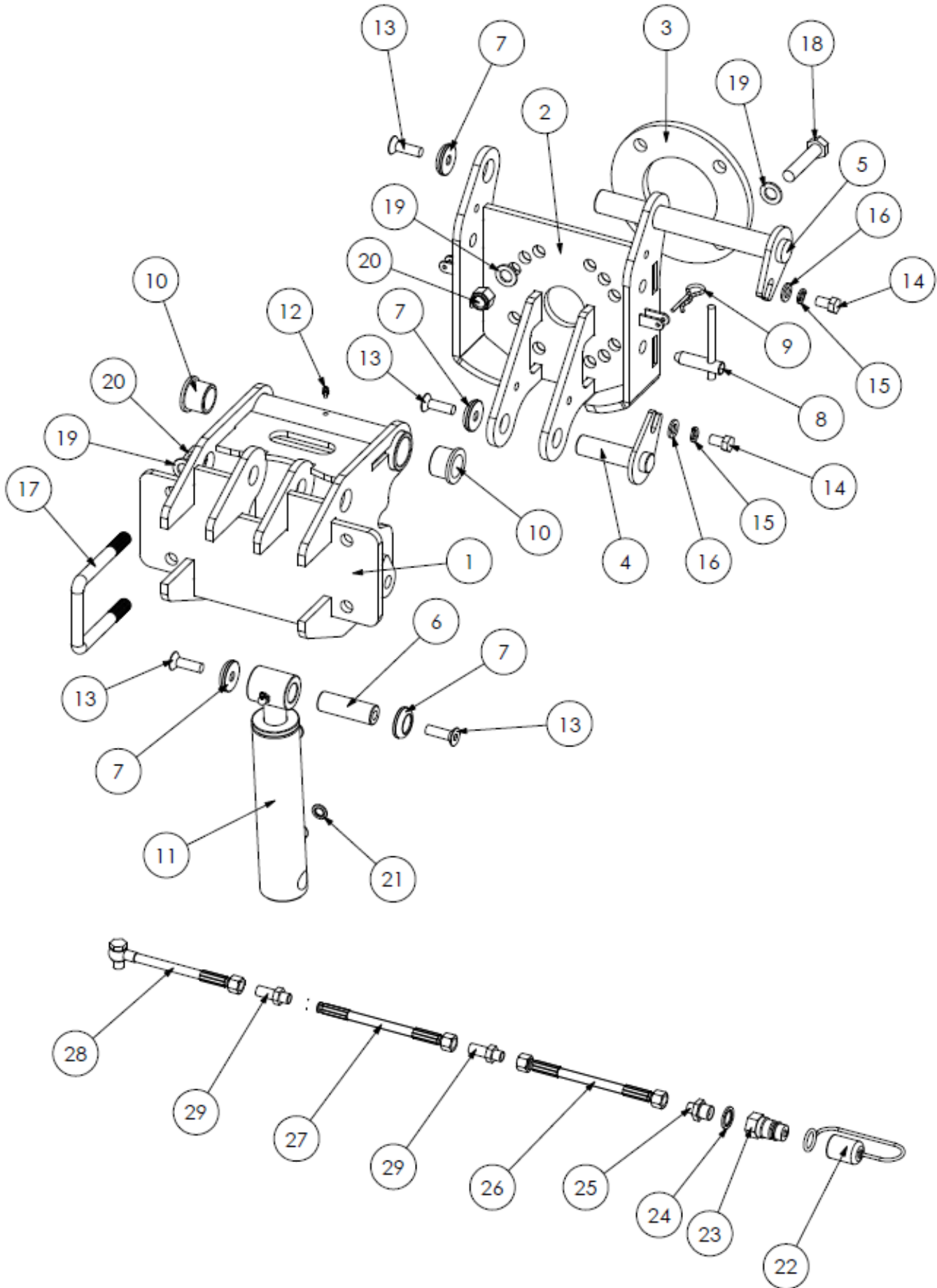
Spearhead TWIGA

CONTROL VALVE - HYD. PROPORTIONAL

REF NO.	PART NO.	QTY.	DESCRIPTION
2	3600093	1	RELIEF VALVE CARTRIDGE
3	3610096	3	DOUBLE ACTING SPOOL
4	3610098	1	SINGLE ACTING SPOOL
5	3610003	8	HYD PROP KIT
6	5770300	1	CARTRIDGE
9	3261005	8	O RING
10	3261003	8	SEAL KIT
11	3261003	1	SEAL KIT

Spearhead TWIGA

NARROW LANE BRACKET - OPT0660



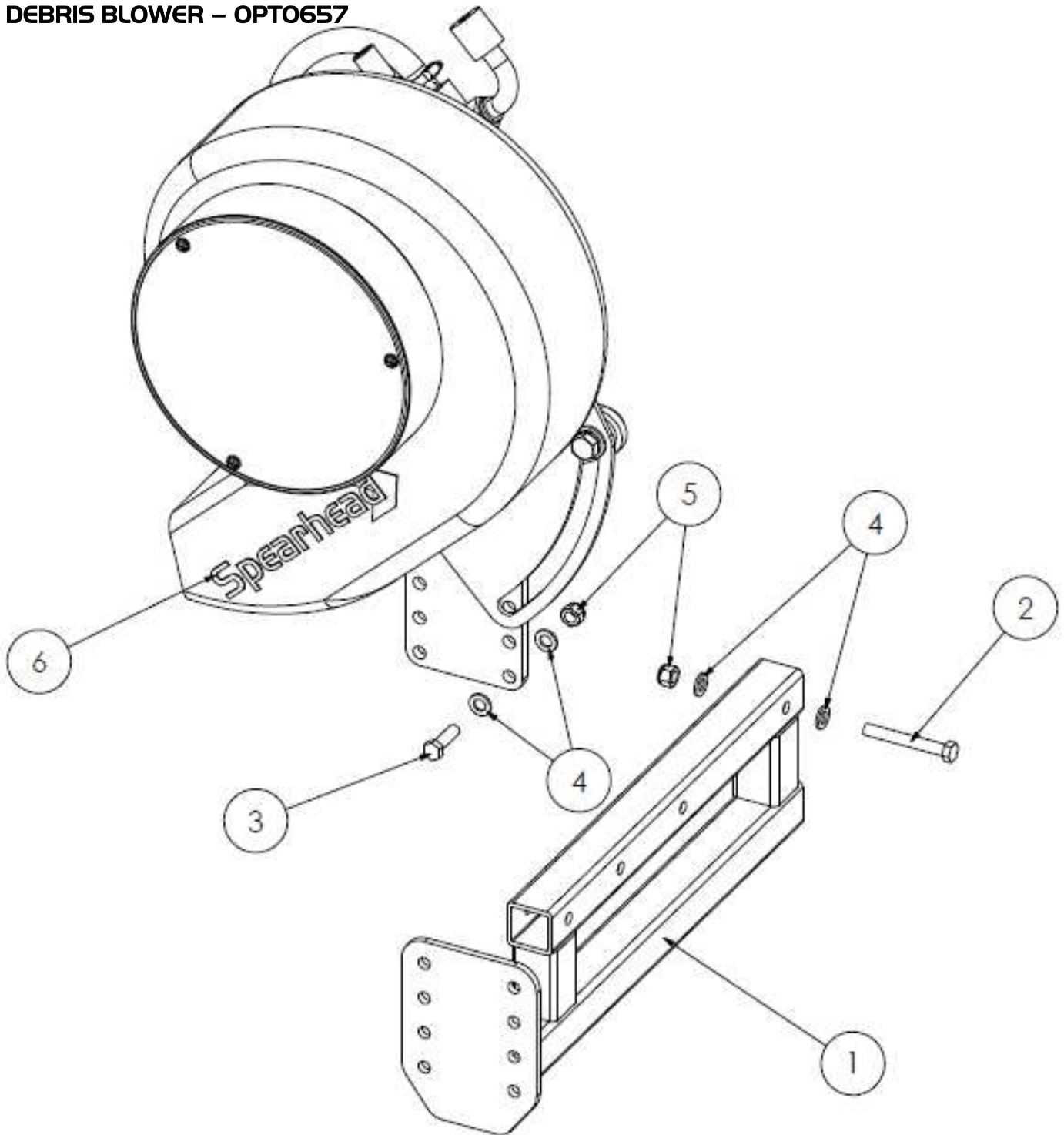
Spearhead TWIGA

NARROW LANE BRACKET - OPT0660

REF NO.	PART NO.	QTY.	DESCRIPTION
1	180444	1	FRONT BRACKET
2	180445	1	REAR BRACKET
3	180896	1	ADAPTOR RING
4	1771550	1	PEAR PIN: 25.4 X 84 mm
5	1777914A	1	PEAR PIN: 30 X 251 mm
6	1778039	1	PIN: 25.4 X 76 mm
7	1777209	4	PIN RETAINING WASHER - 40 OD
8	1777749	2	LOCKING PIN
9	6310194	2	R CLIP
10	4600135B	2	BUSH
11	3580645	1	RAM
12	2770467	1	M6 ST GREASE NIPPLE
13	2770506	4	M12 X 30 SKT CSK SCREW
14	05.264.21	2	M12 X 20 BOLT
15	2770436	2	M12 FLAT WASHER
16	2770442	2	M12 SPRING WASHER
17	2770625	2	M16 U BOLT
18	2770633	4	M16 X 80 BOLT
19	2770454	12	M16 FLAT WASHER
20	2770447	8	M16 NYLOCK
21	3260070	2	1/4" BONDED SEAL
22	3700236	2	DUST CAP - RED
23	3750153	2	1/2" COUPLING
24	3260072	2	1/2" BONDED SEAL
25	3250154	2	1/4" X 1/2" M-M ADAPTOR R1.0mm
26	3760513	2	1/4" HOSE - 4500mm
27	3751700	2	1/4" HOSE - 5300mm
28	3760512	2	1/4" HOSE - 1600mm
29	3460122	4	1/4" BULKHEAD ADAPTOR

Spearhead TWIGA

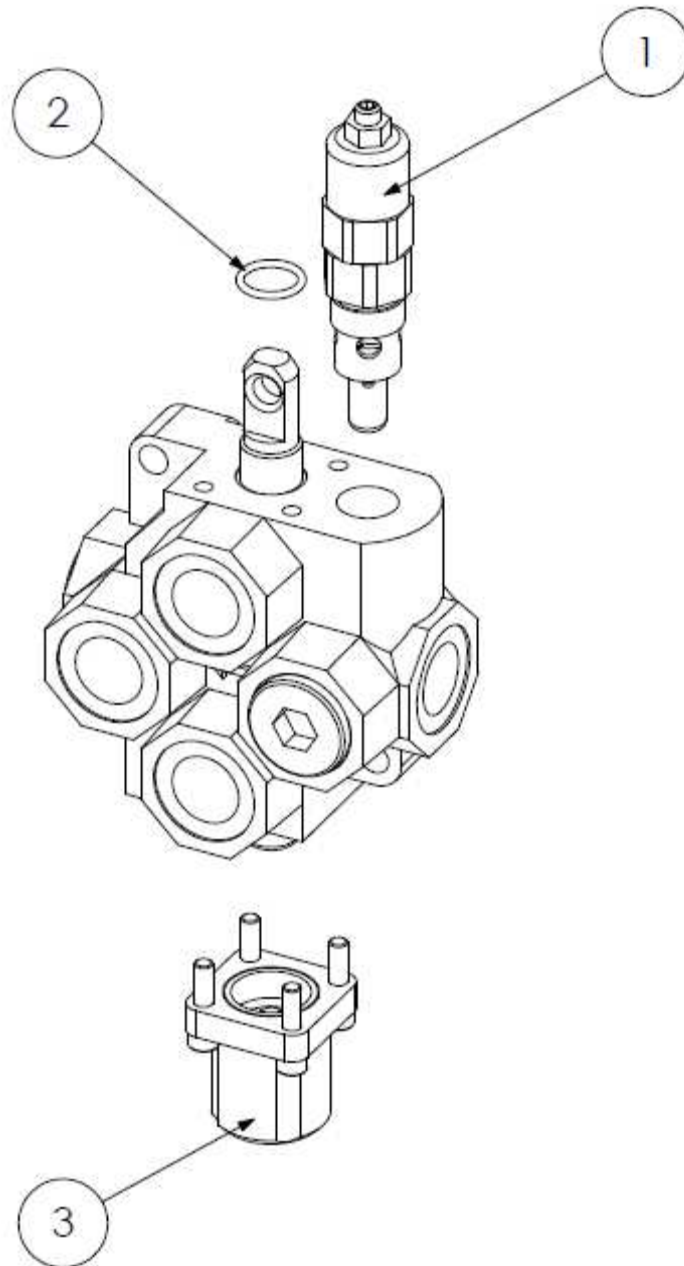
LH DEBRIS BLOWER – OPT0686
RH DEBRIS BLOWER – OPT0657



REF NO.	PART NO.	QTY.	DESCRIPTION
1	180904	1	BRACKET
2	2770471	3	M12 X 100 BOLT
3	2770443	4	M12 X 40
4	2770436	14	M12 FLAT WASHER
5	2770417	7	M12 NYLOCK
6	8770688	1	DECAL

Spearhead TWIGA

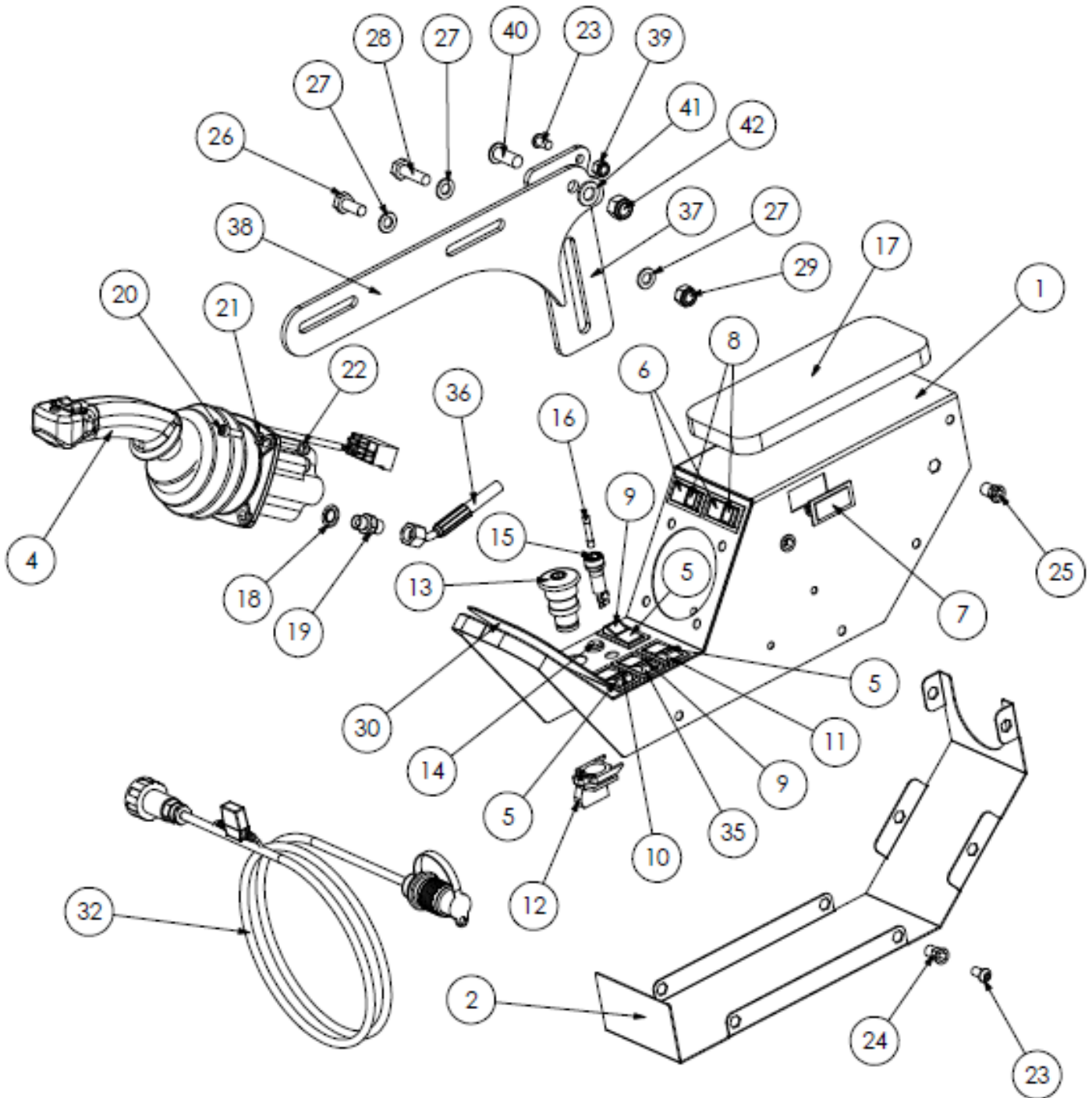
48033.02 - CABLE ROTOR VALVE



REF NO.	PART NO.	QTY.	DESCRIPTION
	48033.02	-	VALVE ASSEMBLY
1	3600080	1	VALVE CARTRIDGE
2	3600101S	1	O RING
3	3610081A	1	SPOOL DETENT KIT

Spearhead TWIGA

LH HYDRAULIC PROPORTIONAL CONTROLS – S180032.15
RH HYDRAULIC PROPORTIONAL CONTROLS – S180032.47



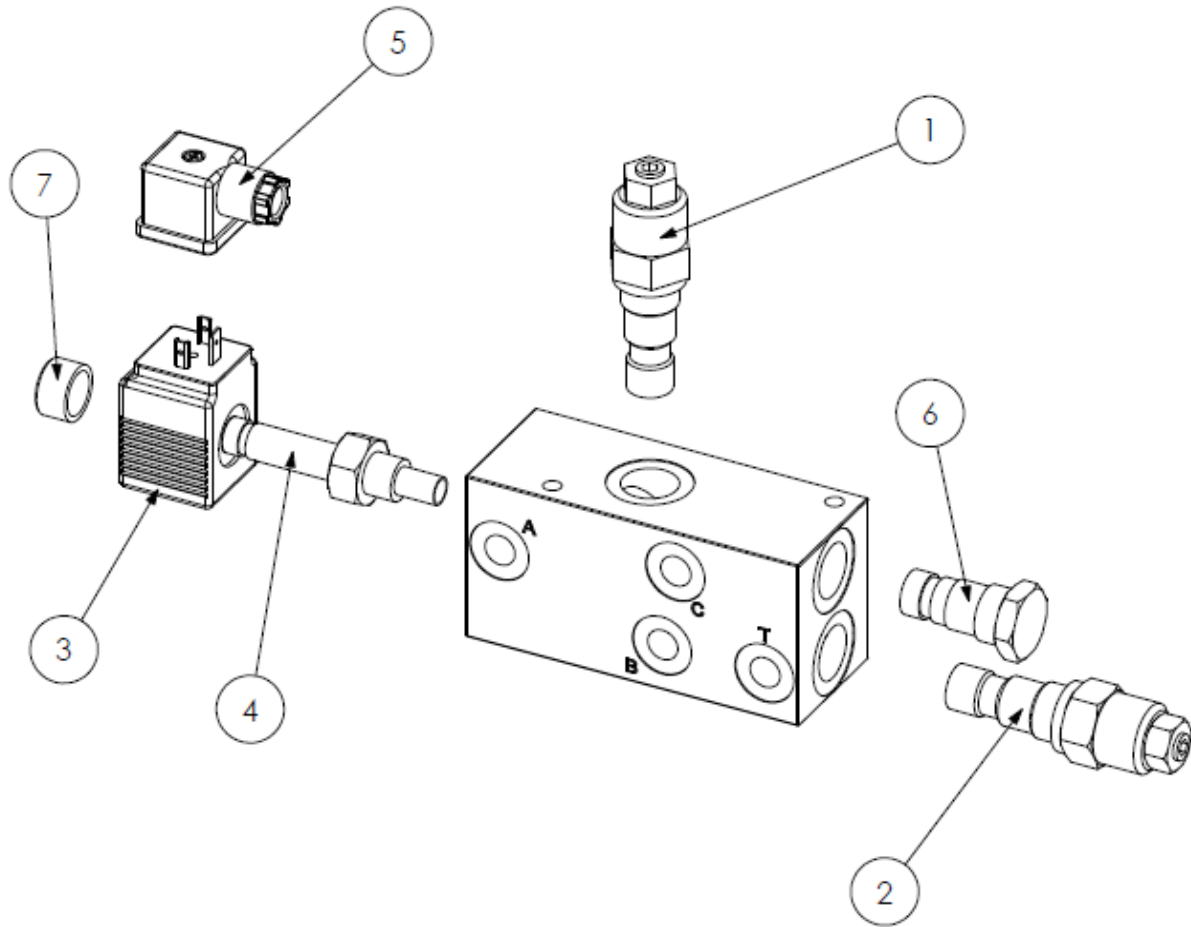
Spearhead TWIGA

LH HYDRAULIC PROPORTIONAL CONTROLS – S180032.15
RH HYDRAULIC PROPORTIONAL CONTROLS – S180032.47

REF NO.	PART NO.	QTY.	DESCRIPTION
1	1777028A	1	ARMREST
2	1777033	1	ARMREST COVER
4	3910228A	1	JOYSTICK (Pg 67)
5	3910276	3	SWITCH - ON/OFF
6	8400160	2	SWITCH - ON/OFF/ON
7	8400162	1	SWITCH BLANK
8	8400163B	2	SWITCH INSERT - BLANK
9	8400163G	2	SWITCH INSERT - GREEN
10	8400163R	1	SWITCH INSERT - RED
11	8400163Y	1	SWITCH INSERT - YELLOW
12	8400166	1	ROTOR SWITCH
13	8400167	1	ROTOR KNOB
14	8400168	1	POWER LIGHT
15	8400183	1	FUSE HOLDER
16	8400184	1	FUSE
17	5771634	1	FOAM PAD
18	3260070	6	1/4" BONDED SEAL
19	3360080	6	1/4" M-M
20	2770336	4	M6 X 25 SKT CAP BOLT
21	2771408	4	M6 FLAT WASHER
22	2770373	4	M6 NYLOCK NUT
23	2770370	9	M8 X 15 SKT BUTTON BOLT
24	2770206	8	M8 RIVNUT
25	2770202	4	M10 RIVNUT
26	2770407	2	M10 X 25 BOLT
27	2770434	6	M10 FLAT WASHER
28	2770396	2	M10 X 35 BOLT
29	2770412	2	M10 NYLOCK
30	8770456	1	LH DECAL
30	8770457	1	RH DECAL
31	8770748	1	CONTROL LOOM
32	8770712	1	POWER LEAD
33	43542.21	1	LARGE HOSE SLEEVE
34	30.058.66	12	SMALL CABLE TIE
35	8400035	1	SWITCH - OFF/ON/ON
36	3750561	1	HOSE KIT (Pg 74)
37	181284	1	SEAT BRACKET
38	181285	1	ARM REST BRACKET
39	2770416	1	M8 NYLOCK NUT
40	05.625.10	1	M12 X 30 SKT BUTTON SCREW
41	2770436	1	M12 FLAT WASHER
42	2770417	1	M12 NYLOCK NUT

Spearhead TWIGA

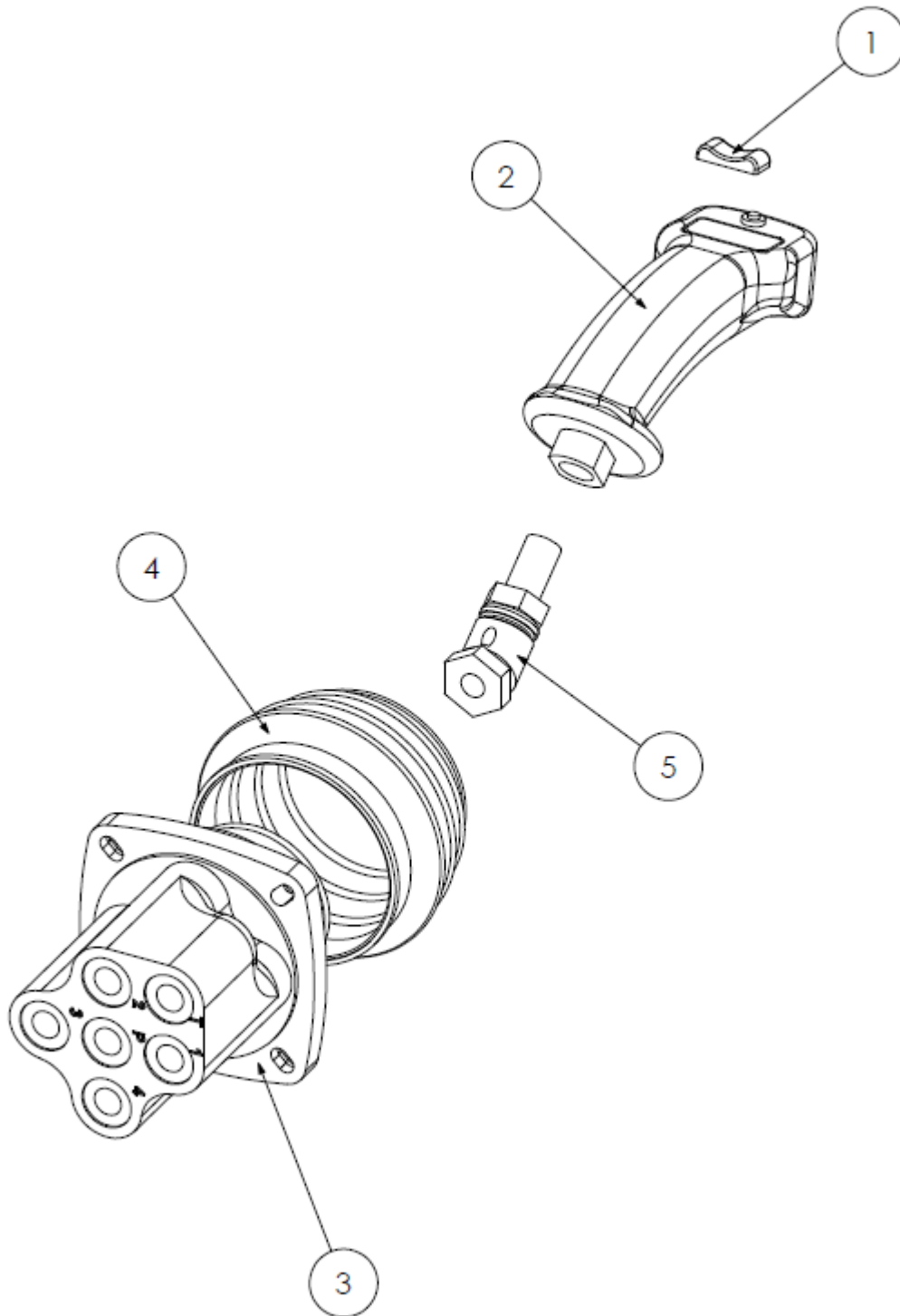
AUTO RESET VALVE - 3610057



REF NO.	PART NO.	QTY.	DESCRIPTION
	3610057	-	VALVE ASSEMBLY
1	3600137	1	SEQUENCE VALVE
2	3600144	1	RELIEF VALVE
3	3610052	1	COIL
4	3610032A	1	SOLENOID
5	3610048	1	CONNECTOR
6	3610054	1	PO CHECK CARTRIDGE
7	N/A	1	NUT

Spearhead TWIGA

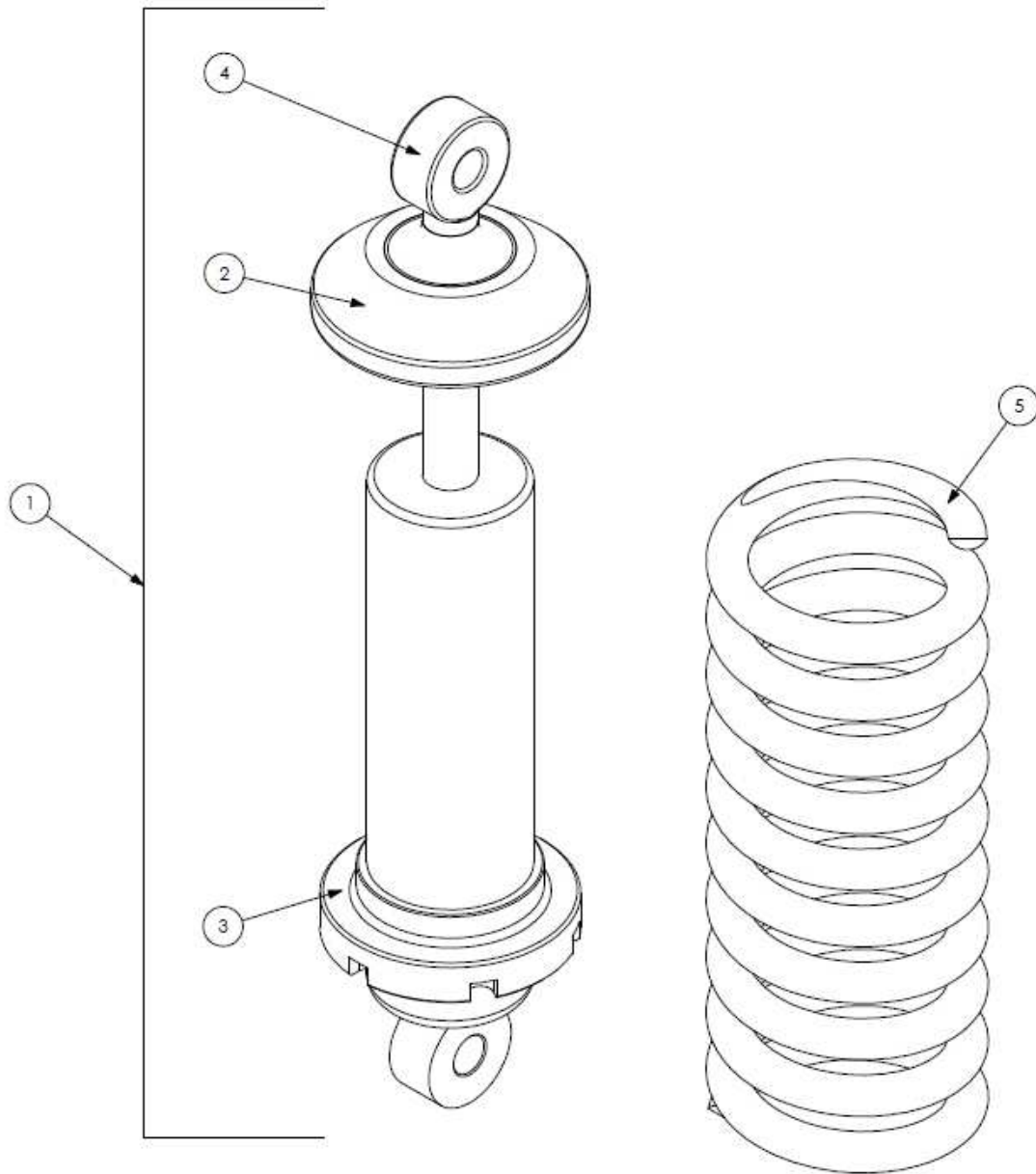
3910228A - JOYSTICK



REF NO.	PART NO.	QTY.	DESCRIPTION
	3910228A	-	JOYSTICK ASSEMBLY
1	3910303	1	HEAD ANGLE SWITCH
2	3910225	1	HANDLE ASSEMBLY
3	3910226	1	BASE
4	3910270	1	GAITER
5	3910271	1	MOUNTING STUD

Spearhead TWIGA

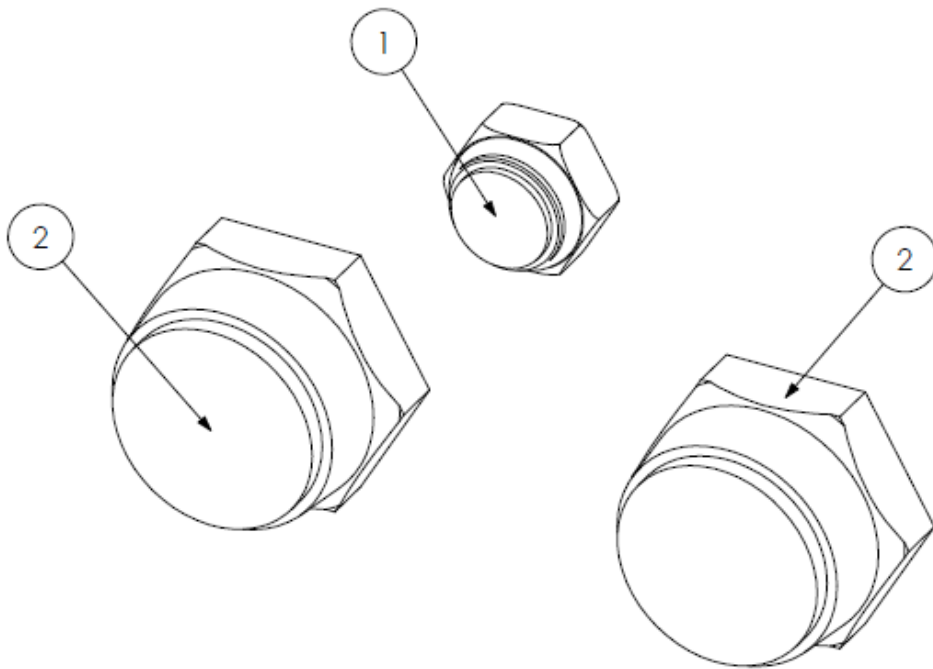
8770600 - SHOCK ABSORBER



REF NO.	PART NO.	QTY.	DESCRIPTION
1	8770600	-	SHOCK ABSORBER (NO SPRING)
2	8770600/1	1	TOP COLLET
3	8770600/2	1	BOTTOM COLLET
4	8770600/3	1	BALL END
5	8770601	1	SPRING

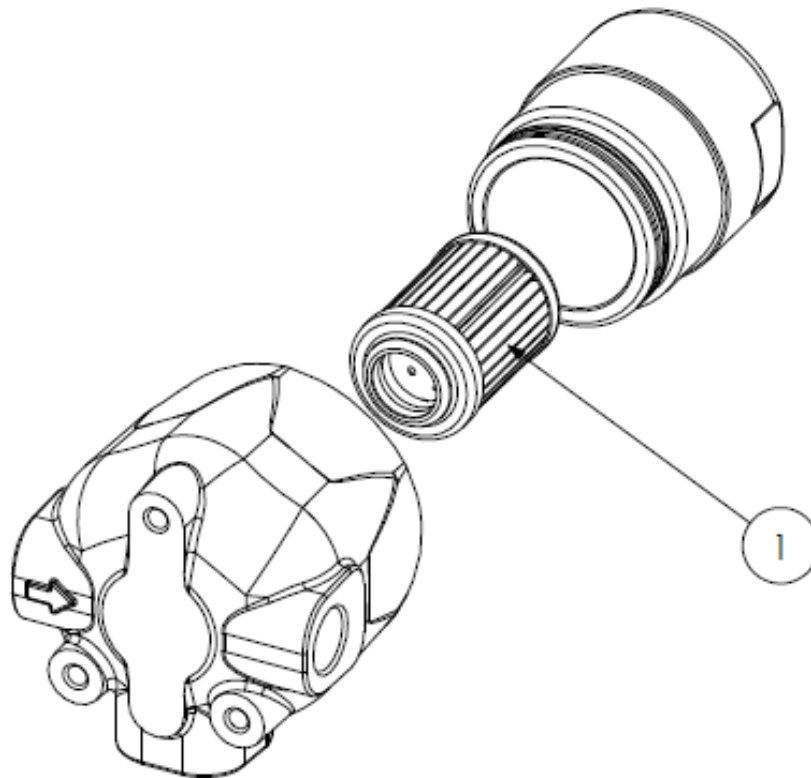
Spearhead TWIGA

HOSE BLANKING CAPS – S180032.67



REF NO.	PART NO.	QTY.	DESCRIPTION
1	07.082.01	1	3/8" BLANKING CAP
2	05.433.08	2	1" BLANKING CAP

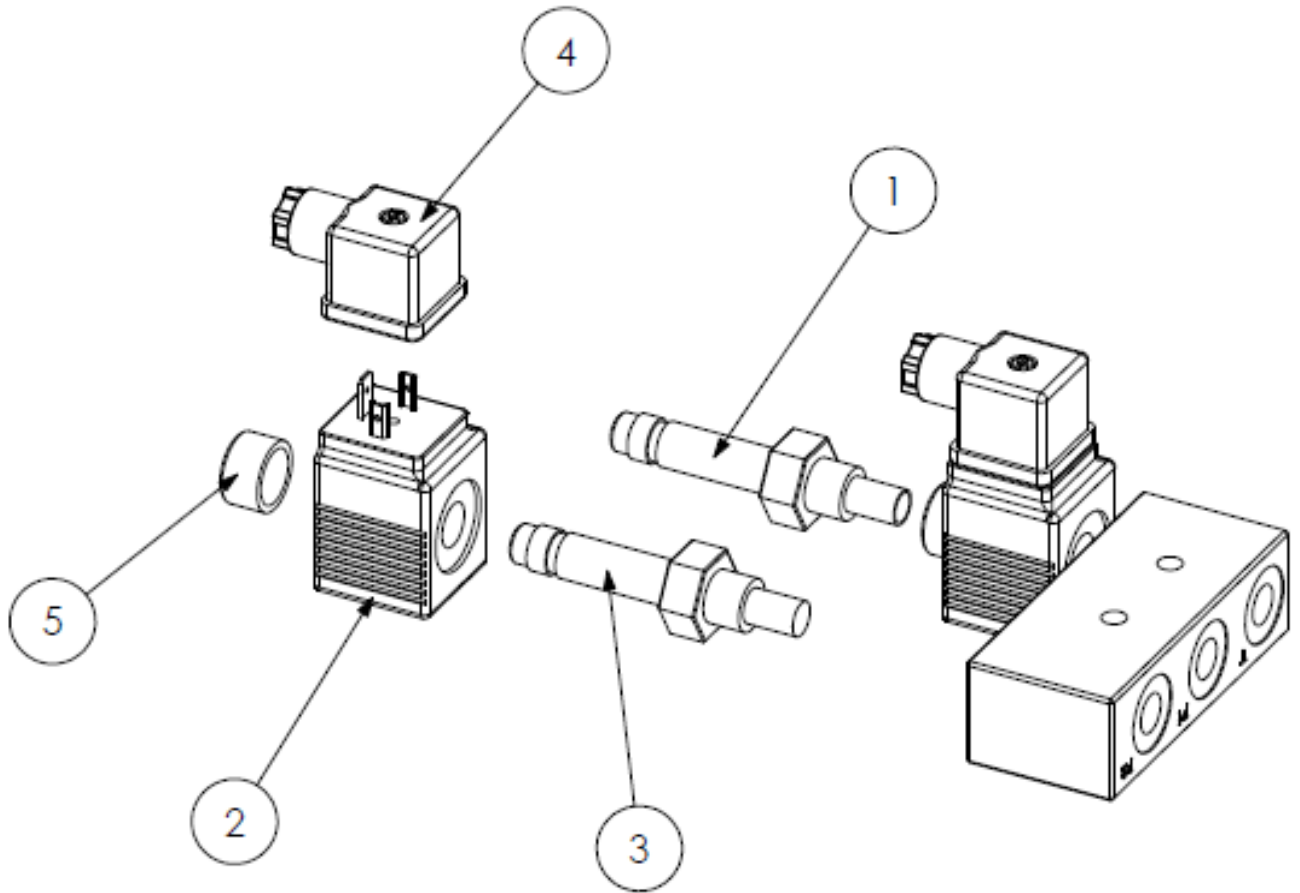
3900081 - PRESSURE FILTER



REF NO.	PART NO.	QTY.	DESCRIPTION
	3900081	-	FILTER
1	3900082	1	ELEMENT

Spearhead TWIGA

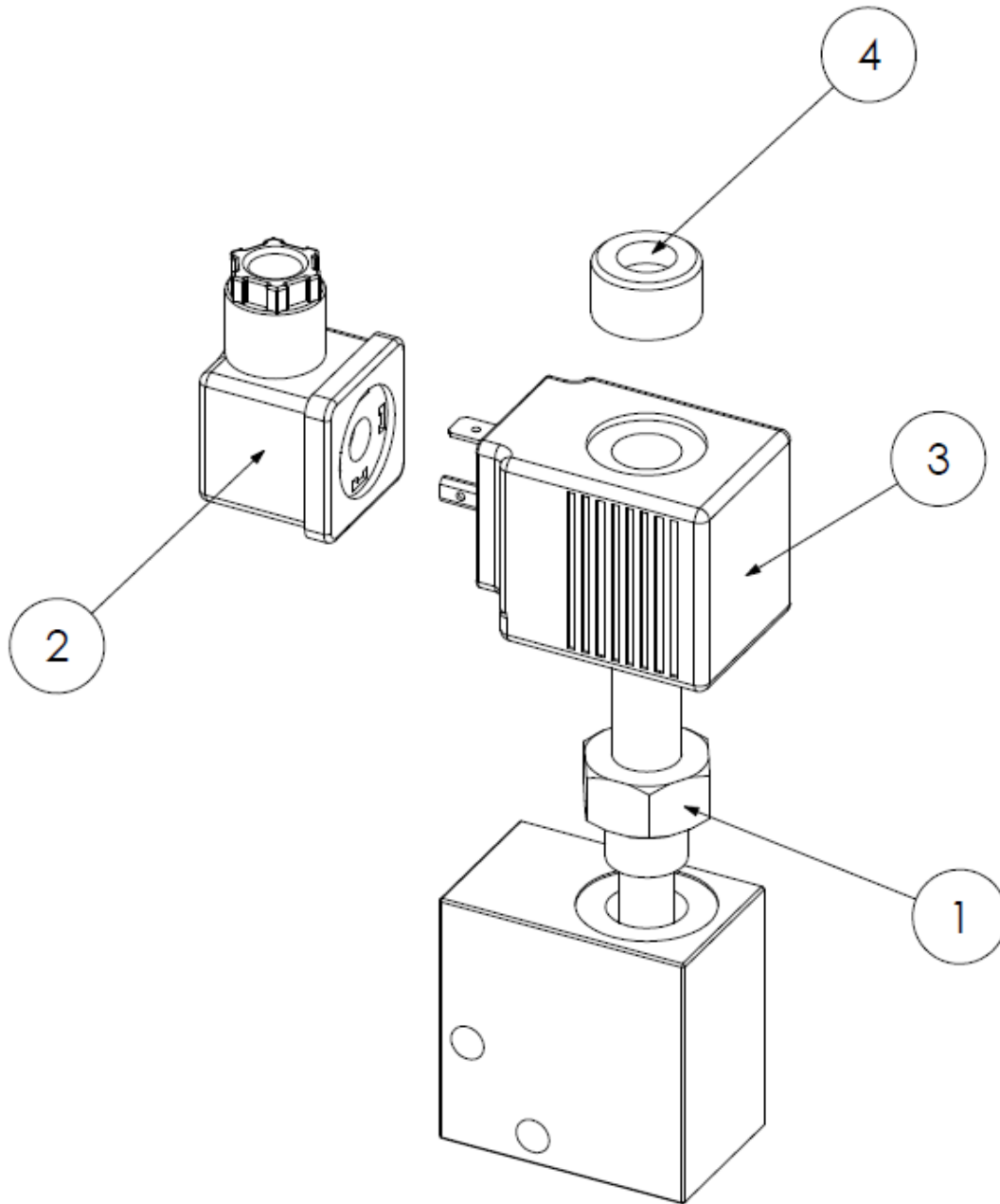
3600132 - HEAD FLOAT VALVE



REF NO.	PART NO.	QTY.	DESCRIPTION
	3600132	-	VALVE ASSEMBLY
1	3600142	1	CARTRIDGE
2	3610030A	2	COIL
3	3610032A	1	SOLENOID
4	3610048	2	CONNECTOR
5	N/A	2	NUT

Spearhead TWIGA

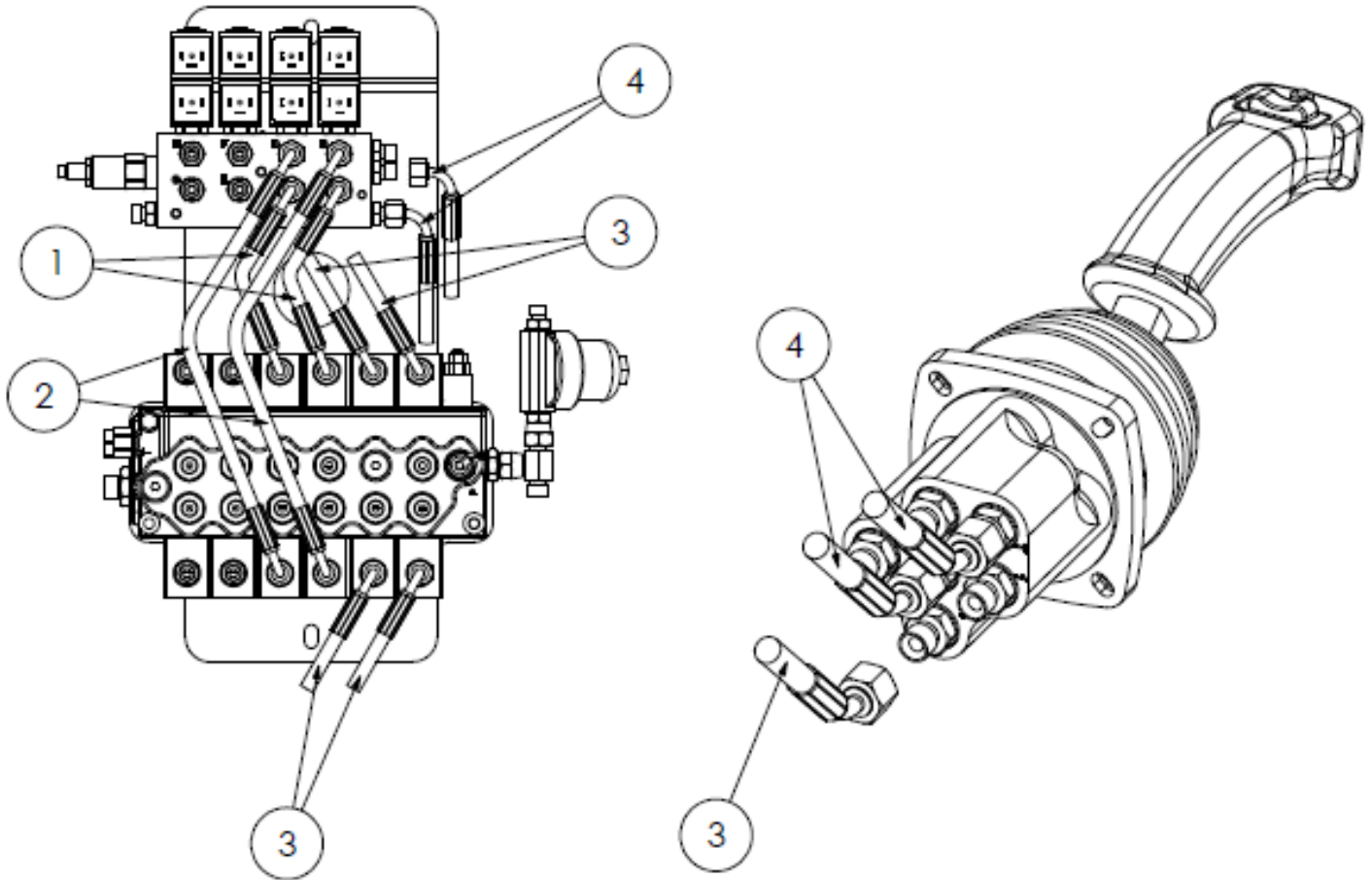
3610053 - ARM FLOAT VALVE



REF NO.	PART NO.	QTY.	DESCRIPTION
	3610053	-	VALVE ASSEMBLY
1	3610036	1	SOLENOID
2	3610048	1	CONNECTOR
3	3610052	1	COIL
4	N/A	1	NUT

Spearhead TWIGA

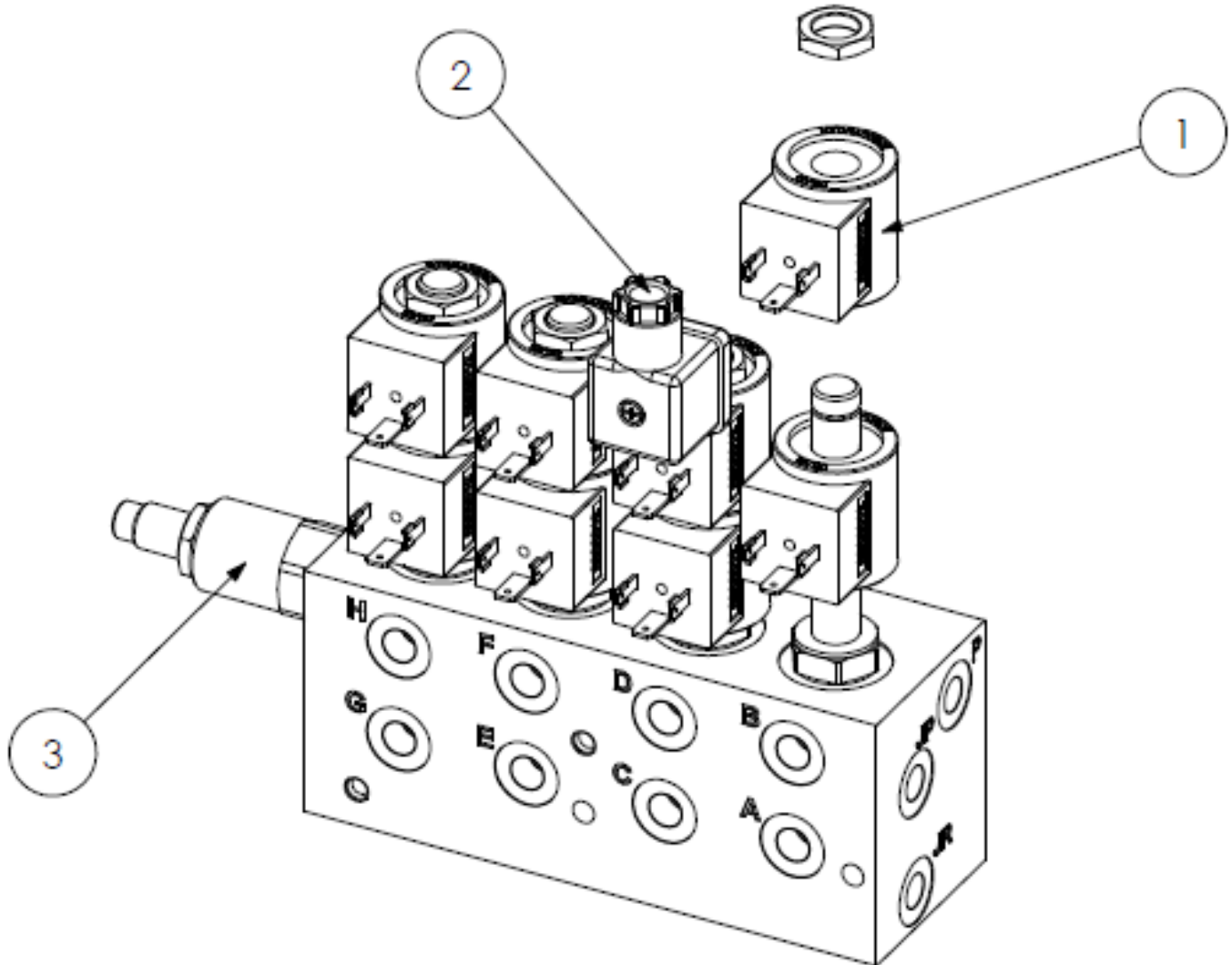
JOYSTICK HOSE KIT - 3750561



REF NO.	PART NO.	QTY.	DESCRIPTION
	3750561		HOSE KIT
1	3760456	2	HOSE: 1/4" - 210mm
2	3760457	2	HOSE: 1/4" - 410mm
3	3760517	4	HOSE: 1/4" - 3900mm
4	3760518	2	HOSE: 1/4" - 4000mm

Spearhead TWIGA

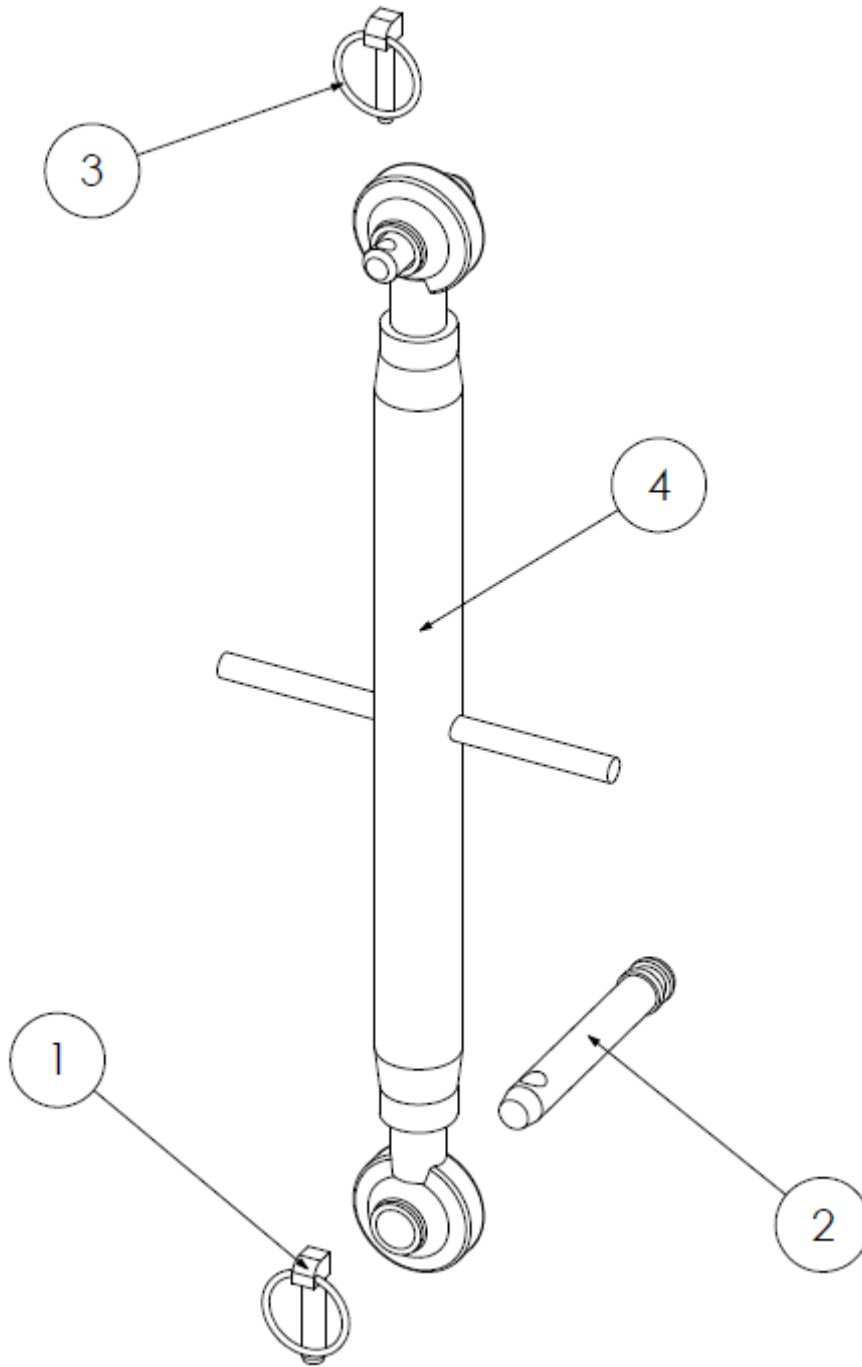
3610102 - 2 BANK PILOT VALVE
 3610103 - 3 BANK PILOT VALVE
 3610104 - 4 BANK PILOT VALVE



REF NO.	PART NO.	QTY. 2	QTY. 3	QTY. 4	DESCRIPTION
	3610102	1	-	-	2 BANK VALVE ASSEMBLY
	3610103	-	1	-	3 BANK VALVE ASSEMBLY
	3610104	-	-	1	4 BANK VALVE ASSEMBLY
1	22677.36	4	6	8	COIL
2	3610048	4	6	8	CONNECTOR
3	3610102.02	1	1	1	PRESSURE RELIEF CARTRIDGE

Spearhead TWIGA

TRANSPORT LINK - SI80035.76



REF NO.	PART NO.	QTY.	DESCRIPTION
1	00.372.01	2	LYNCH PIN - 11mm
2	6310202	2	CAT I TOP LINK PIN
3	6310207	1	LYNCH PIN - 8mm
4	6310233	1	TOP LINK

Spearhead Machinery Ltd
Green View
Salford Priors
Evesham
Worcestershire
WR11 8SW
Tel: 01789 491860
Fax: 01789 778683
www.spearheadmachinery.com
enquiries@spearheadmachinery.com