

Spearhead

TWIGA Reach Mower 500/500FR



Edition 2.4 – April 2015
Part No. 8999006

PARTS MANUAL

Spearhead TWIGA 500

Contents

Ordering Your Parts.....	3
A Frame.....	4
Tank.....	6
Slew Post.....	8
Lift Frame.....	10
Rear Panel.....	12
Stabiliser Brackets.....	13
Main Arm.....	14
Dipper Arm.....	18
Tie Bar.....	22
Hose Blanking Caps.....	23
Pressure Filter.....	23
Head Crowd Bracket.....	24
FR Dipper Arm.....	26
Hydraulic Drive.....	28
Cable Control Valve.....	29
Proportional Control Valve.....	30
Pilot Valve.....	32
Cable Controls.....	33
Break Back Valve.....	34
Hydraulic Proportional Controls.....	36
Head Float Assembly.....	38
Arm Float Assembly.....	39
Slew Ram.....	40
Lift Ram.....	41
Dipper Ram.....	42
Head Ram.....	43
Cable Rotor Valve.....	44

Spearhead TWIGA 500

Contents cont.

Electric Rotor Valve.....	45
Cab Guard.....	46
PTO.....	47
Decals.....	48
Safety Decals.....	49
Hydraulic Proportional Base Hose kit.....	50
Cable Control Base Hose Kit.....	52
Arm Hose Kit.....	54
Joystick Hose Kit.....	56
Tandem Pump.....	57
Proportional Control Valve.....	58
Joystick.....	59
Cable Rotor Valve.....	60
Pilot Valve.....	61
Head Float Valve.....	62
Arm Float Valve.....	63
Electric Rotor Valve.....	64
Gearbox.....	65
Light Loom.....	66
Oil Cooler.....	68
Electronic Proportional Controls.....	70

Spearhead TWIGA 500

Ordering Your Part's

When ordering parts please refer to your parts list to help your dealer with your order.

- Part number and quantity
- Description
- Machine model number
- Serial number of the machine
- Delivery instructions (e.g. next day).

Delivery is normally via carrier direct to your dealer. Please check with your dealer for stock availability and arrangement of dispatch. Ensure you or your dealer has sufficient cover for parts requirement outside factory hours.

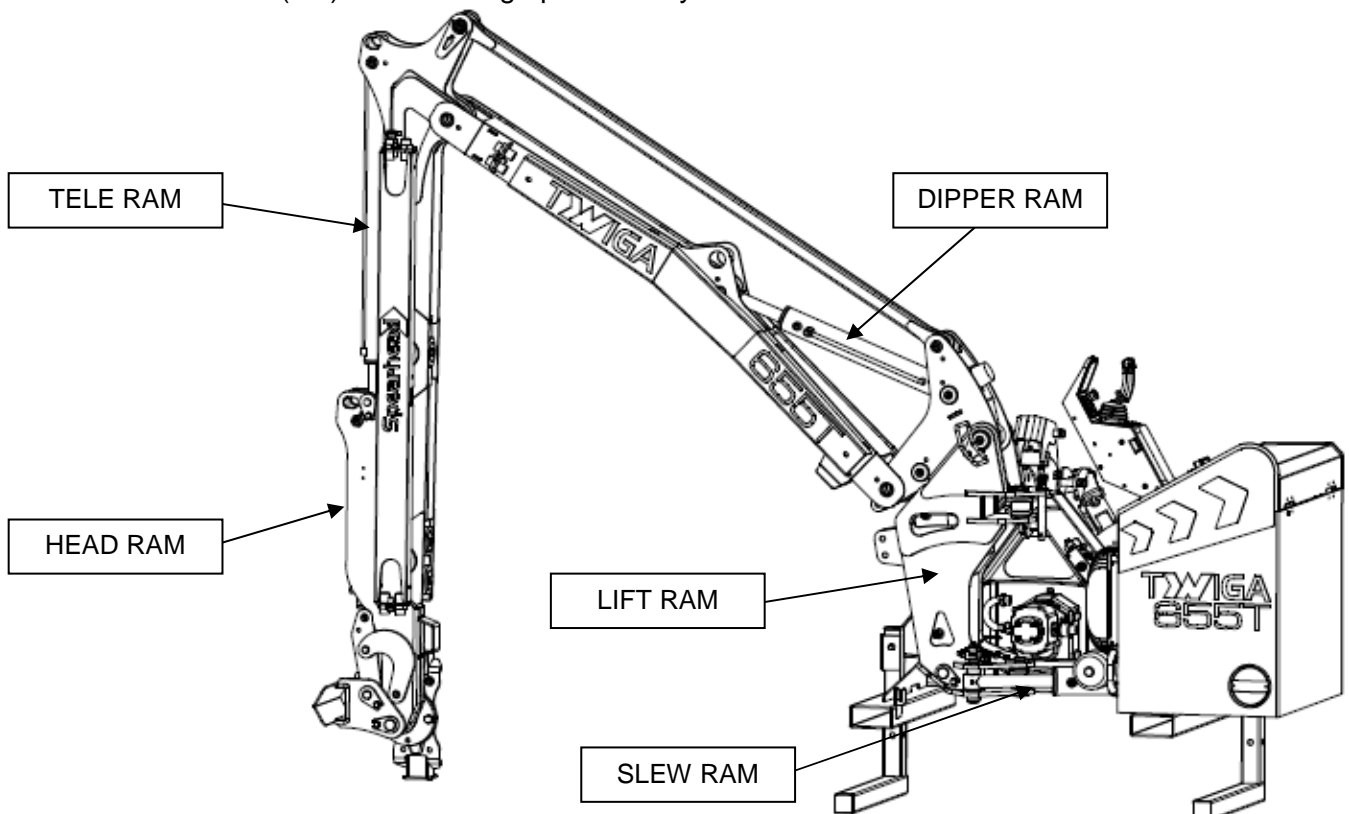
When ordering your seal kits please quote both codes stamped on the base of the cylinder.

Important Note

The information contained in this manual is correct at the time of publication. However, in the course of constant development, changes in specification are inevitable. Should you find the information given in this book different to the machine it relates to, please contact the "After Sales Department" for advice.

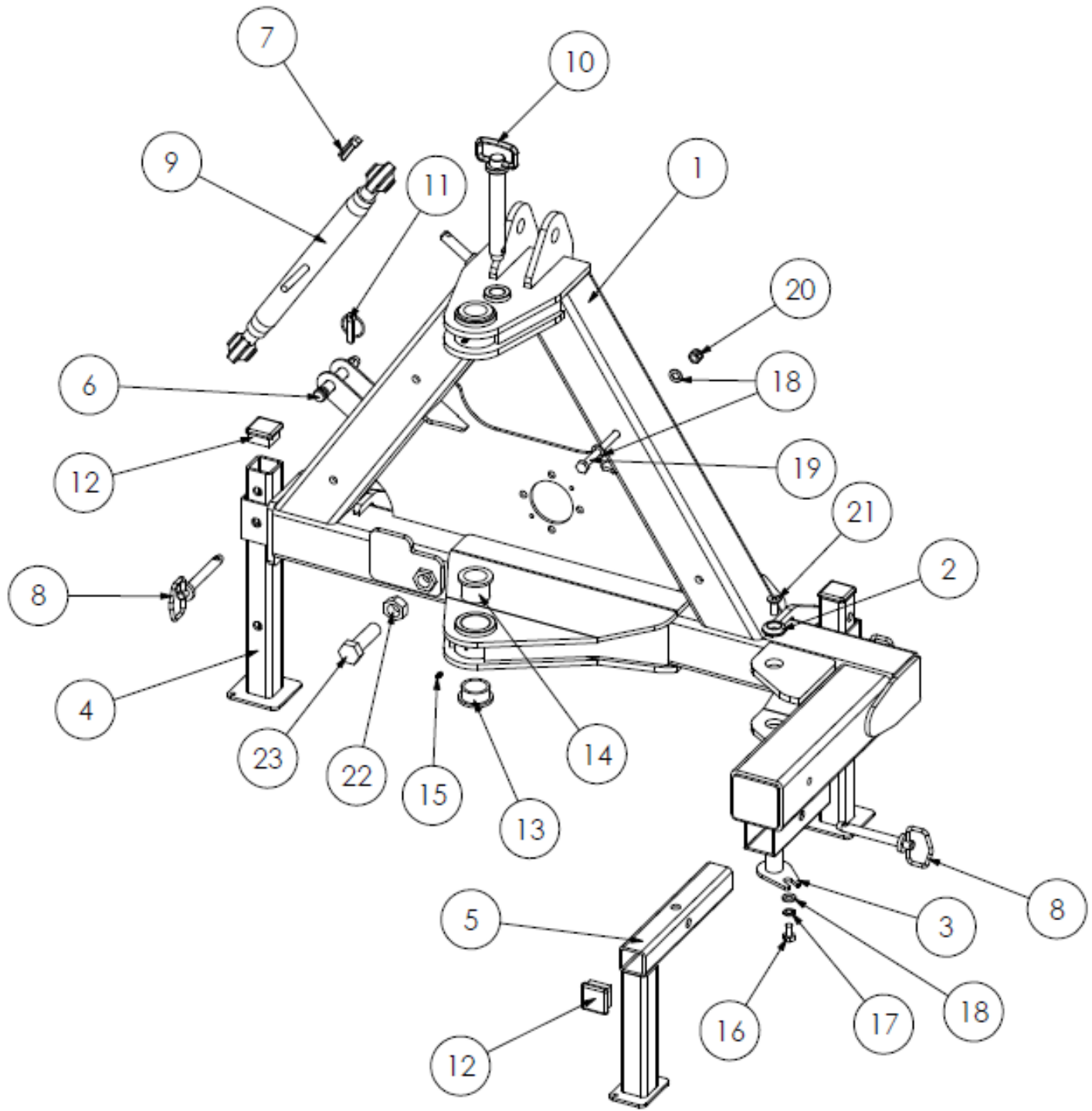
Key:

- (LH) = Left hand
- (RH) = Right hand
- (LP) = Low pressure hydraulics
- (HP) = High pressure hydraulics



Spearhead TWIGA 500

LH A FRAME - S180014.50
RH A FRAME - S180014.70



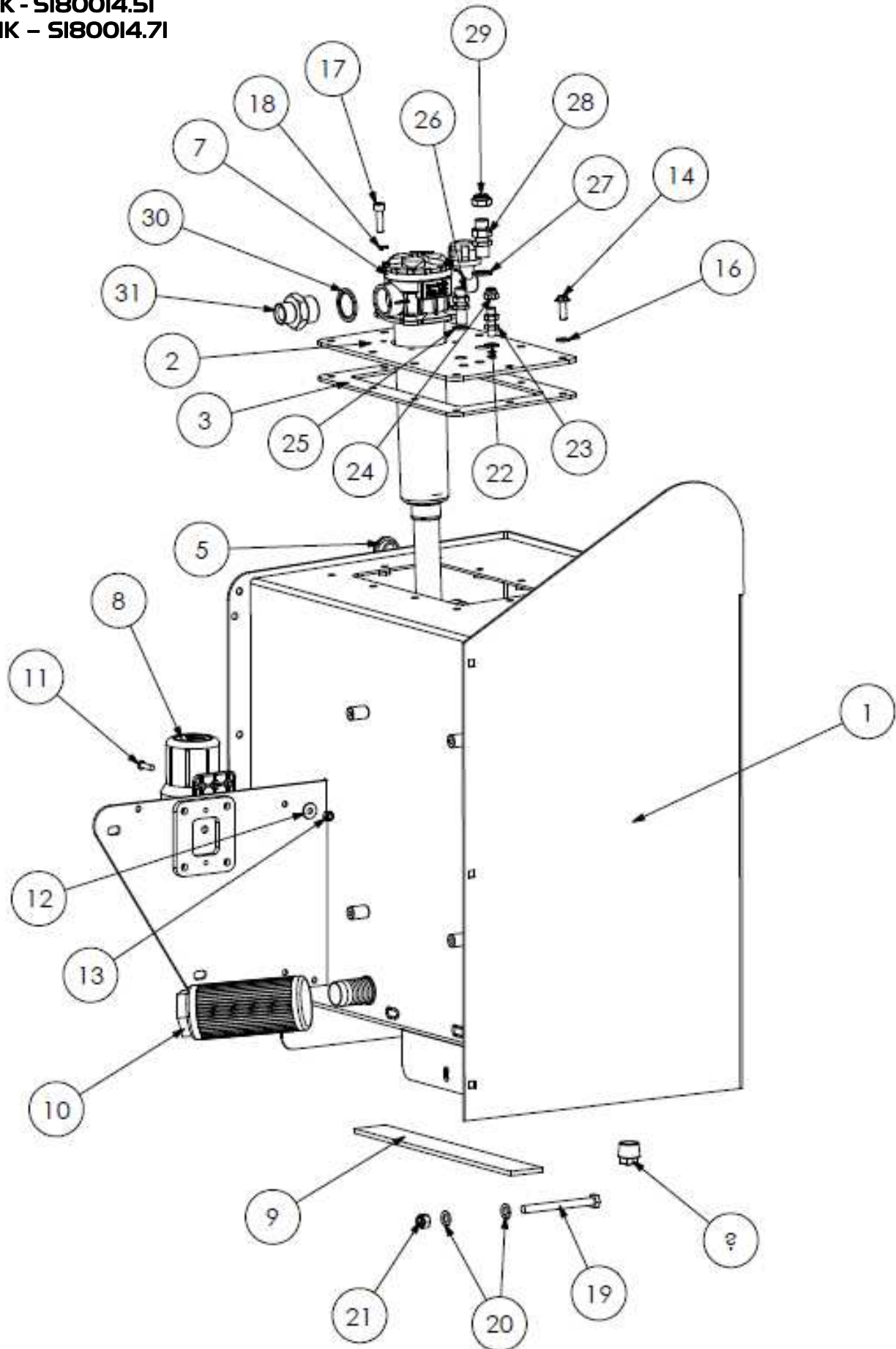
Spearhead TWIGA 500

LH MAIN FRAME - S180014.50
RH MAIN FRAME - S180014.70

REF NO.	PART NO.	QTY.	DESCRIPTION
1	1800300	1	LH MAIN FRAME
1	1800338	1	RH MAIN FRAME
2	1777209	1	RETAINING WASHER - 40mm
3	1777556	1	PEAR PIN: 30 X 130 mm
4	1777870	2	FRONT LEG STAND
5	1777871	1	REAR LEG STAND
6	6310202	1	CAT I TOP LINK PIN
7	6310207	1	LYNCH PIN
8	6310220	3	PIN
9	6310233	1	TRANSPORT LINK
10	6310239	1	PIN
11	00.372.01	1	LYNCH PIN
12	07.262.03	3	PLASTIC CAP
13	4600126	2	BUSH
14	4600127-A	2	BUSH
15	2770467	2	M6 ST GREASE NIPPLE
16	05.264.21	1	M12 X 20 BOLT
17	2770442	1	M12 SPRING WASHER
18	2770436	5	M12 FLAT WASHER
19	05.292.26	2	M12 X 130 BOLT
20	2770417	2	M12 NYLOCK
21	2770506	1	M12 X 30 SKT CSK SCREW
22	2770460	1	M24 FULL NUT
23	2770551	1	M24 X 80 BOLT

Spearhead TWIGA 500

LH TANK - S180014.51
RH TANK - S180014.71



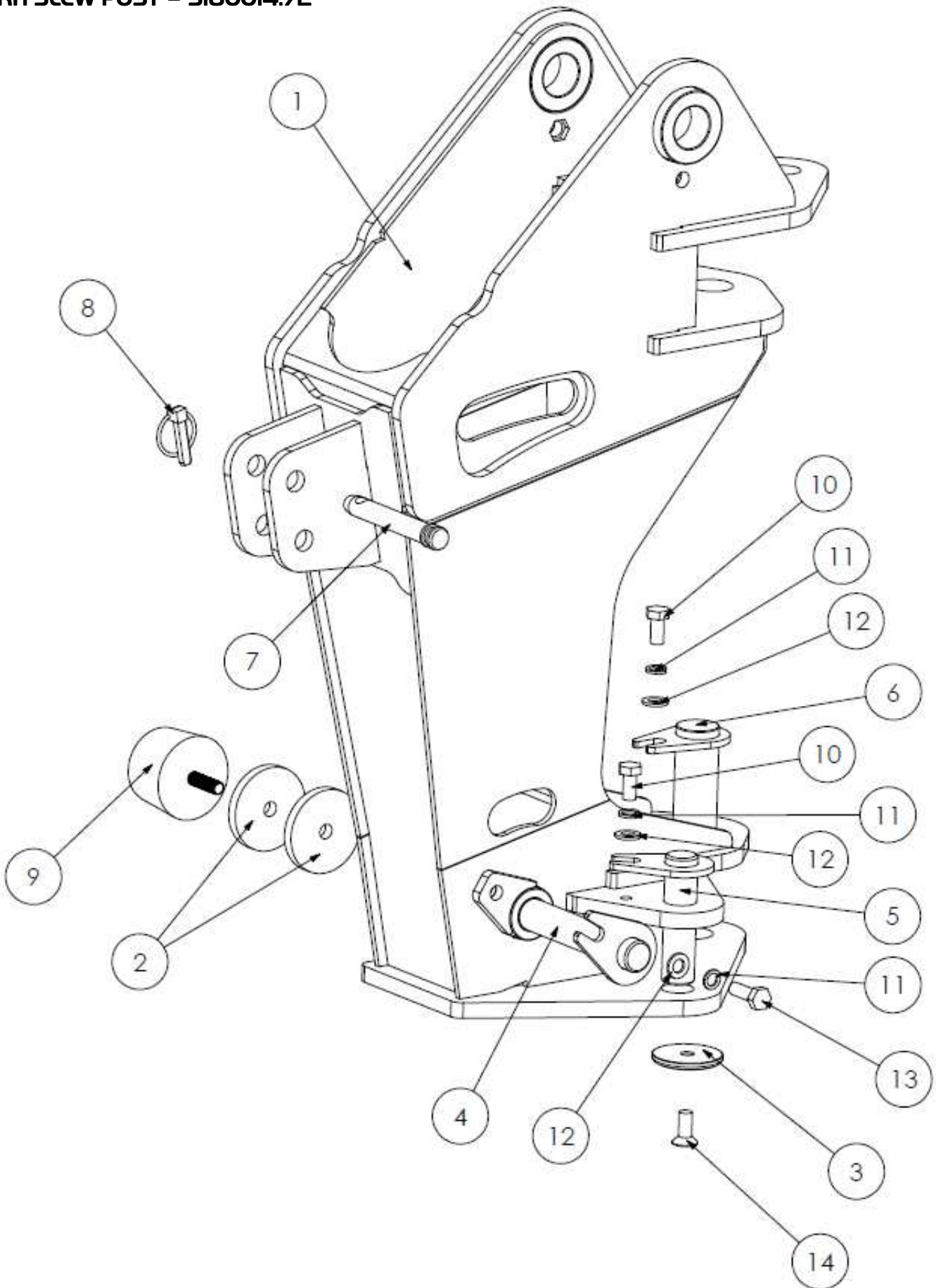
Spearhead TWIGA 500

LH TANK - S180014.51
RH TANK - S180014.71

REF NO.	PART NO.	QTY.	DESCRIPTION
1	180971	1	LH TANK
1	180985	1	RH TANK
2	180336	1	TANK LID
3	5771649	1	GASKET
4	T1698	2	TANK BUNG
5	3900063	1	LEVEL GAUGE
7	3900085	1	FILTER
-	3900079	-	FILTER ELEMENT
8	46505.01	1	DOCUMENTS FLASK
9	8400213	1	TANK MOUNT FLAP
10	8401047	1	SUCTION FILTER
11	2770368	2	M8 X 30 SKT BUTTON SCREW
12	2770432	2	M8 FLAT WASHER
13	2770416	2	M8 NYLOCK
14	2770670	10	M10 X 30 FLANGE BOLT
16	2770353	10	M10 FIBRE WASHER
17	30.072.27	4	M10 X 35 SKT CAP
18	2770469	4	M10 SPRING WASHER
19	2770584	2	M12 X 140 BOLT
20	2770436	4	M12 FLAT WASHER
21	2770417	2	M12 NYLOCK
22	3260070	8	1/4" BONDED SEAL
23	3460122	4	1/4" BULKHEAD
24	3460104	2	1/4" BLANKING CAP
25	3260071	2	3/8" BONDED SEAL
26	3700228	1	3/8" BULKHEAD
27	3260072	2	1/2" BONDED SEAL
28	3700187	1	1/2" BULKHEAD
29	8582054	1	1/2" BLANKING CAP
30	3260075	1	1 1/4" BONDED SEAL
31	3360078	1	1 1/4" M - 1" ADAPTOR

Spearhead TWIGA 500

LH SLEW POST - S180014.52
RH SLEW POST - S180014.72



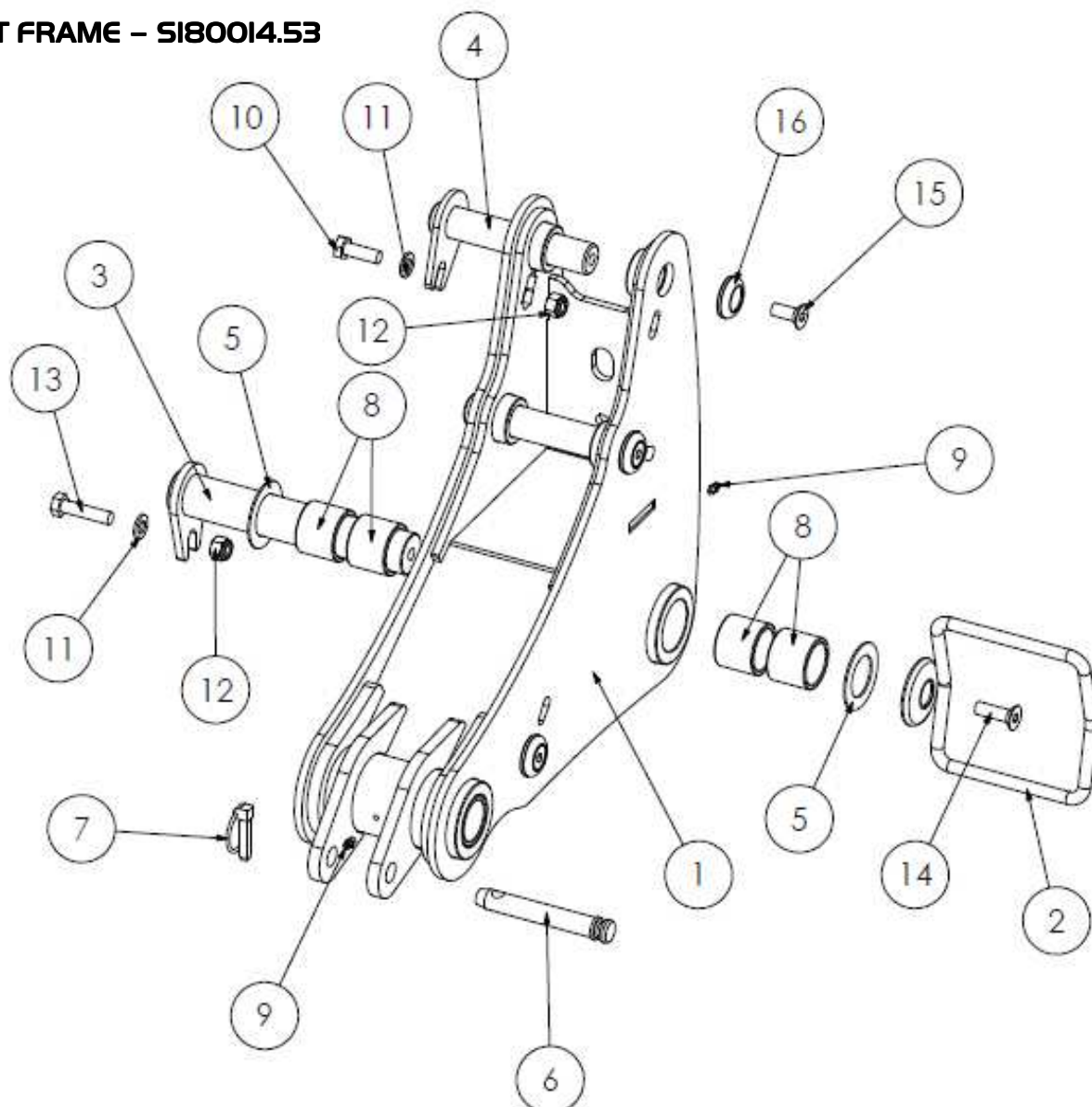
Spearhead TWIGA 500

LH SLEW POST – S180014.52
RH SLEW POST – S180014.72

REF NO.	PART NO.	QTY.	DESCRIPTION
1	1800304	1	LH SLEW POST
1	1800335	1	RH SLEW POST
2	1777029	2	SPACER
3	1777208	2	RETAINING WASHER - 65mm
4	1777467	1	PEAR PIN: 30 X 146 mm
5	1782069	1	PEAR PIN: 30 X 108 mm
6	1782071	2	PEAR PIN: 40 X 113 mm
7	6310202	1	CAT I TOP LINK PIN
8	00.372.01	1	LYNCH PIN
9	8770634	1	RUBBER CUSHION
10	2770484	3	M12 X 25 BOLT
11	2770442	4	M12 SPRING WASHER
12	2770436	4	M12 FLAT WASHER
13	2770535	1	M12 X 35 BOLT
14	2770506	2	M12 X 30 SKT CSK SCREW

Spearhead TWIGA 500

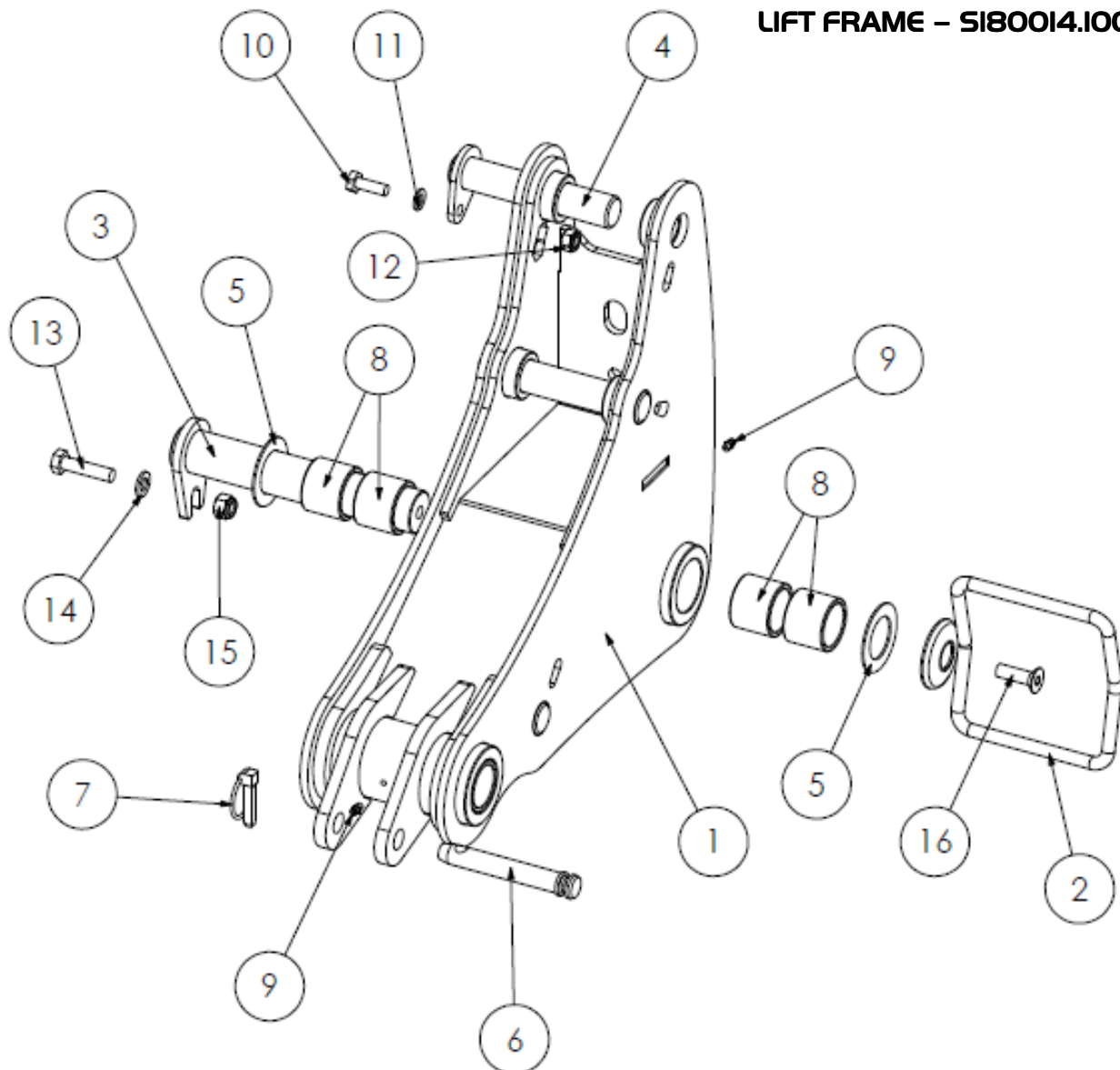
LIFT FRAME - S180014.53



REF NO.	PART NO.	QTY.	DESCRIPTION
1	1800305	1	LIFT FRAME
2	1770693	1	HOSE GUIDE BRACKET
3	1777910A	1	PEAR PIN: 40 X 231 mm
4	1777467	3	PEAR PIN: 30 X 146 mm
5	191.067	2	SPACER
6	6310202	1	CAT I TOP LINK PIN
7	00.372.01	1	LYNCH PIN
8	4600125	8	BUSH
9	2770467	2	M6 ST GREASE NIPPLE
10	2770535	3	M12 X 35 BOLT
11	2770436	4	M12 FLAT WASHER
12	2770417	4	M12 NYLOCK
13	2770419	1	M12 X 50 BOLT
14	2770398	1	M12 X 40 SKT CSK SCREW
15	2770506	3	M12 X 30 SKT CSK SCREW
16	1777209	3	RETAINING WASHER - 40mm

Spearhead TWIGA 500

LIFT FRAME – S180014.100

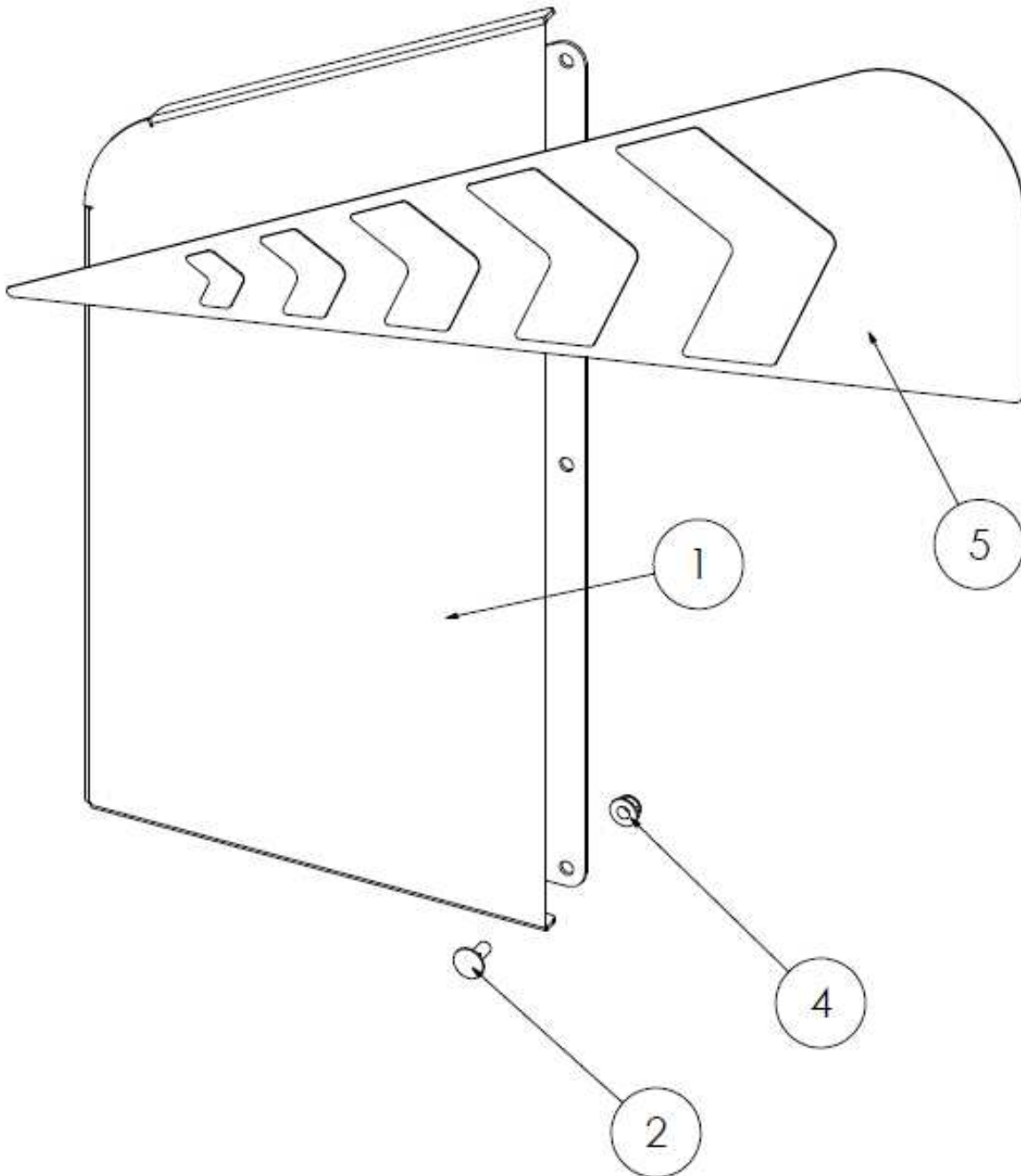


REF NO.	PART NO.	QTY.	DESCRIPTION
1	1800305	1	LIFT FRAME
2	1770693	1	HOSE GUIDE BRACKET
3	1777910A	1	PEAR PIN: 40 X 231 mm
4	1782130	3	PEAR PIN: 30 X 150 mm
5	191.067	2	SPACER
6	6310202	1	CAT I TOP LINK PIN
7	00.372.01	1	LYNCH PIN
8	4600125	8	BUSH
9	2770467	2	M6 ST GREASE NIPPLE
10	2770421	3	M10 X 30 BOLT
11	2770434	3	M10 FLAT WASHER
12	2770412	3	M10 NYLOCK
13	2770419	1	M12 X 50 BOLT
14	2770436	1	M12 FLAT WASHER
15	2770417	1	M12 NYLOCK NUT
16	2770506	3	M12 X 30 SKT CSK SCREW

Spearhead TWIGA 500

LH REAR PANEL – S180014.54

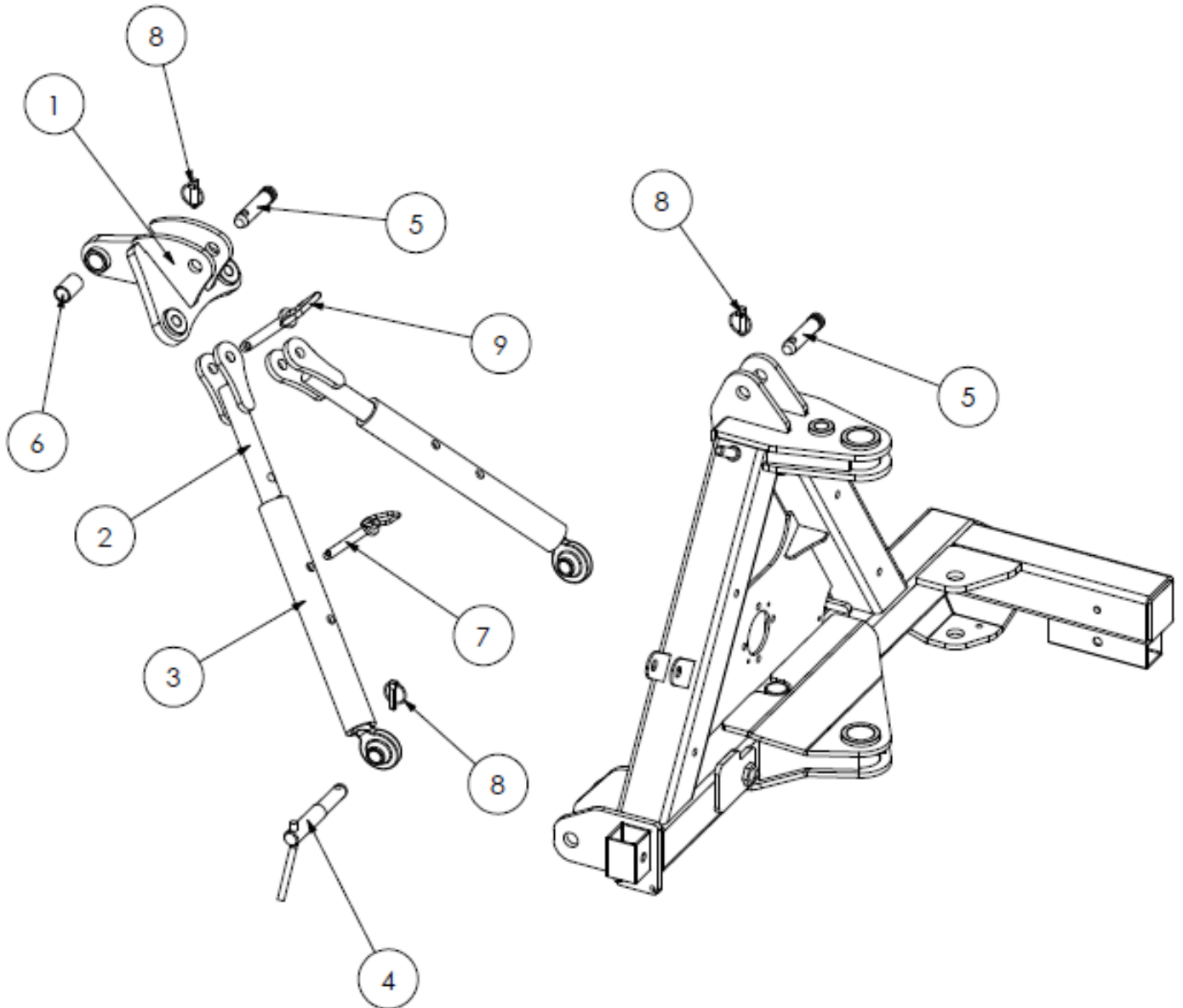
RH REAR PANEL – S180014.73



REF NO.	PART NO.	QTY.	DESCRIPTION
1	180972	1	LH REAR PANEL
1	180986	1	RH REAR PANEL
2	2770565	3	M10 X 25 COACH BOLT
4	05.287.21	3	M10 FLANGE NYLOCK
5	8770414	1	LH DECAL
5	8770415	1	RH DECAL

Spearhead TWIGA 500

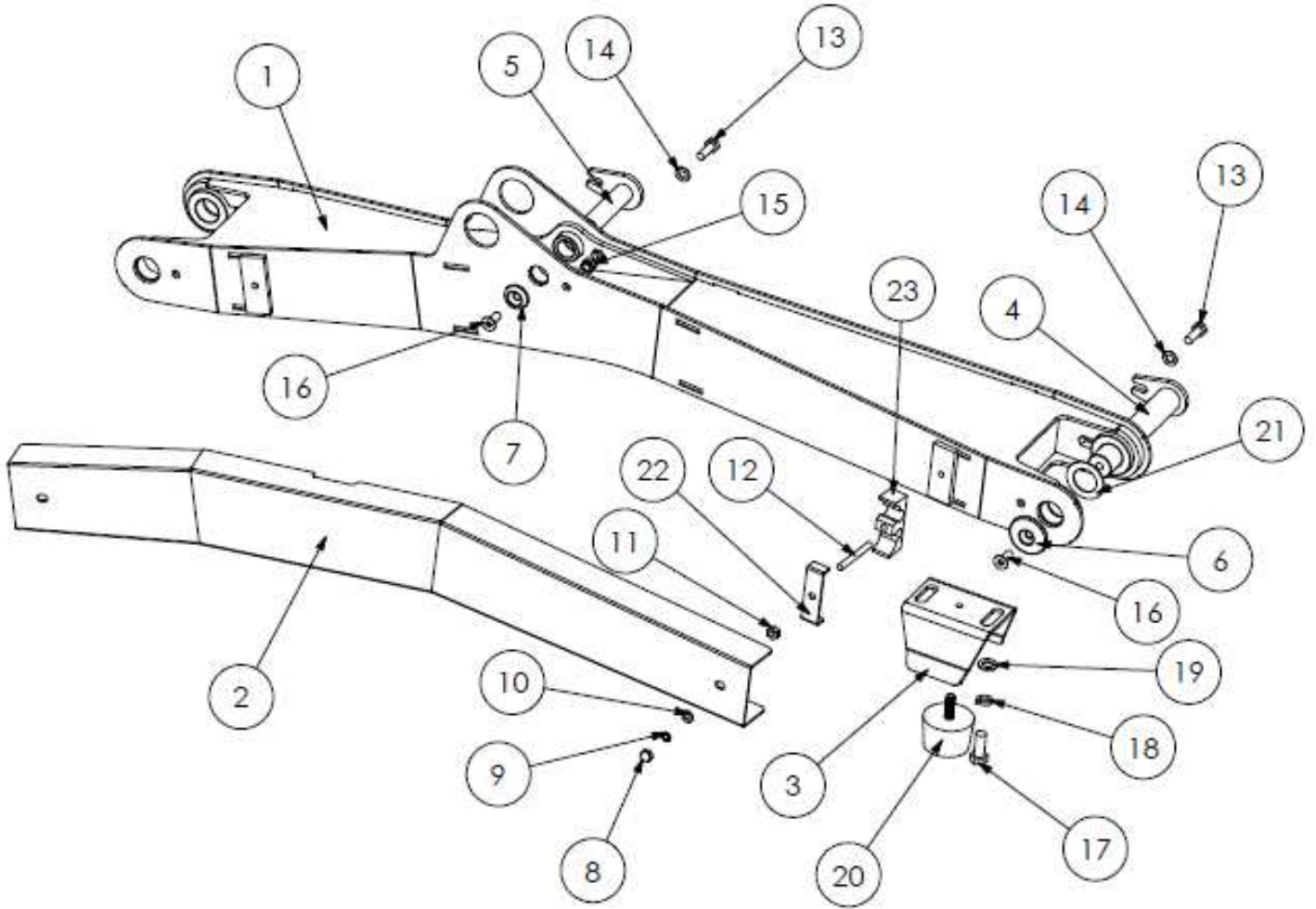
STABILISER BRACKETS – S180014.55



REF NO.	PART NO.	QTY.	DESCRIPTION
1	1800308	1	STABILISER BRACKET
2	1800309	2	INNER STABILISER
3	1800310	2	OUTER STABILISER
4	1777068	2	LOWER LINK PIN
5	6310203	2	TOP LINK PIN
6	6310214	1	CONVERSION BUSH
7	6310220	2	CAT 0 PIN WITH HANDLE
8	00.372.01	4	LYNCH PIN
9	6310215	2	CAT I PIN WITH HANDLE

Spearhead TWIGA 500

LH MAIN ARM - S180014.18
RH MAIN ARM - S180014.19



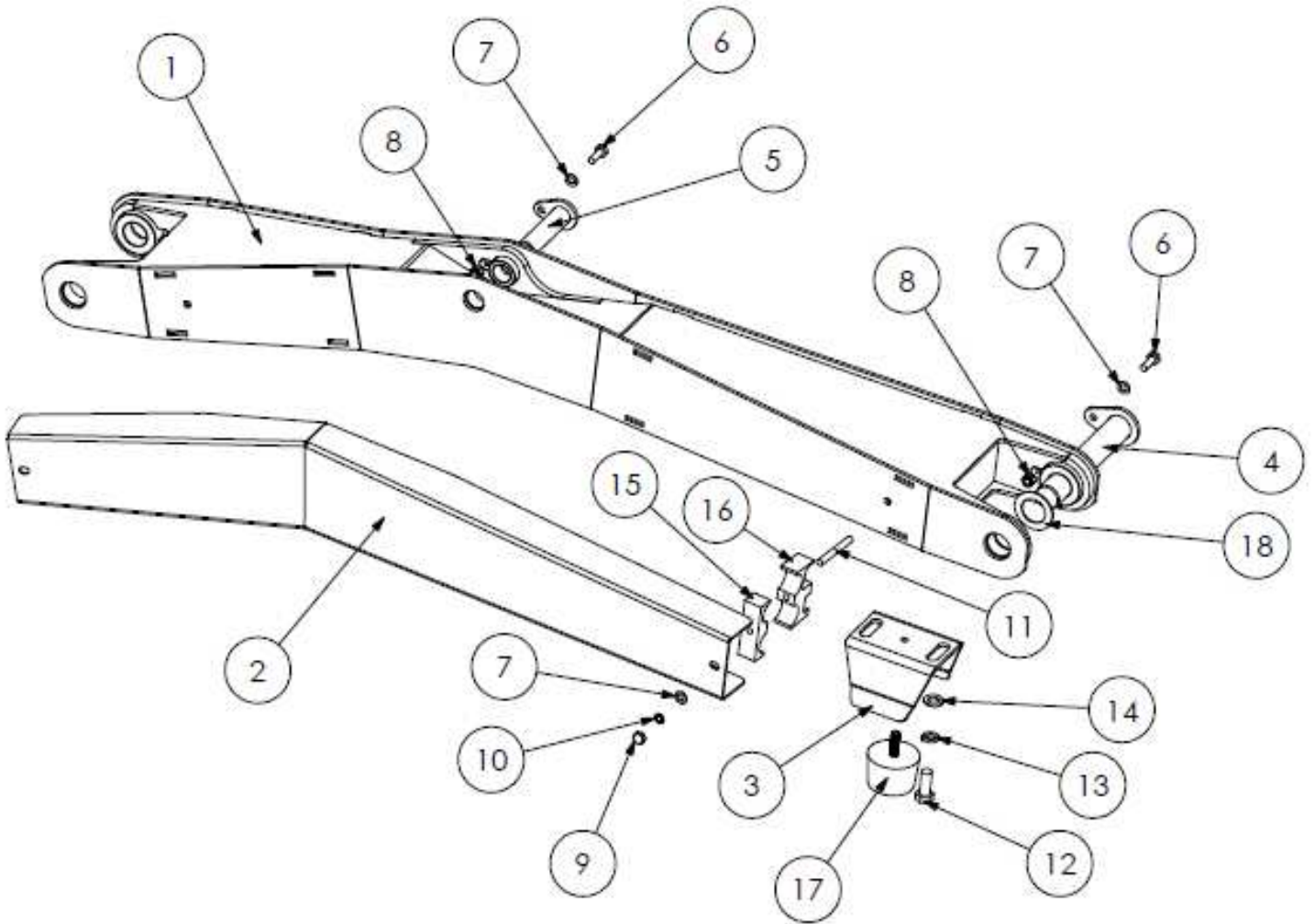
Spearhead TWIGA 500

LH MAIN ARM – S180014.18
RH MAIN ARM – S180014.19

REF NO.	PART NO.	QTY.	DESCRIPTION
1	1800108	1	LH MAIN ARM
1	1800126	1	RH MAIN ARM
2	1800117	1	LH MAIN ARM GUARD
2	1800137	1	RH MAIN ARM GUARD
3	1777144	1	BUMP STOP PLATE
4	1777910A	2	PEAR PIN: 40 X 231 mm
5	1777912A	1	PEAR PIN: 30 X 120 mm
6	1777208	2	RETAINING WASHER - 65mm
7	1777209	1	RETAINING WASHER - 40mm
8	9100025	2	M10 DOMED NUT
9	05.283.02	2	M10 SHAKE PROOF WASHER
10	2770434	4	M10 FLAT WASHER
11	05.286.02	2	M10 FULL NUT
12	04.282.09	2	M10 X 85 STUD
13	2770535	3	M12 X 35 BOLT
14	2770436	3	M12 FLAT WASHER
15	2770417	1	M12 NYLOCK
16	2770506	3	M12 X 30 SKT CSK SCREW
17	05.264.35	2	M16 X 40 BOLT
18	2770456	2	M16 SPRING WASHER
19	2770454	2	M16 FLAT WASHER
20	8770634	1	RUBBER CUSHION
21	191.067	4	SPACER
22	1777955	2	HOSE CLAMP PLATE
23	45630.02	2	HOSE CLAMP

Spearhead TWIGA 500

LH MAIN ARM - S180014.56
RH MAIN ARM - S180014.74



Spearhead TWIGA 500

LH MAIN ARM - S180014.56
RH MAIN ARM - S180014.74

REF NO.	PART NO.	QTY.	DESCRIPTION
1	181106	1	LH MAIN ARM
1	181399	1	RH MAIN ARM
2	181107	1	LH MAIN ARM GUARD
2	181108	1	RH MAIN ARM GUARD
3	1777144	1	BUMP STOP PLATE
4	1782133	2	PEAR PIN: 40 X 235 mm
5	1782133	1	PEAR PIN: 30 X 118 mm
6	2770421	3	M10 X 30 BOLT
7	2770434	5	M10 FLAT WASHER
8	2770412	2	M10 NYLOCK NUT
9	9100025	2	M10 DOMED NUT
10	05.283.02	2	M10 SHAKE PROOF WASHER
11	04.282.09	2	M10 X 85 STUD
12	05.264.35	2	M16 X 40 BOLT
13	2770456	2	M16 SPRING WASHER
14	2770454	2	M16 FLAT WASHER
15	06.430.17	2	OUTER HOSE CLAMP
16	06.430.18	2	INNER HOSE CLAMP
17	8770634	1	RUBBER CUSHION
18	191.067	4	SPACER

Spearhead TWIGA 500

LH DIPPER ARM – S180014.57
RH DIPPER ARM – S180014.75

REF NO.	PART NO.	QTY.	DESCRIPTION
1	1800109	1	LH DIPPER ARM
1	1800127	1	RH DIPPER ARM
2	1800106	1	HOSE GUARD
3	1778038	1	PEAR PIN: 25.4 X 98 mm
4	1777915A	1	PEAR PIN: 30 X 110 mm
5	1777209	2	RETAINING WASHER - 40mm
6	2770467	2	M6 ST GREASE NIPPLE
7	2770639	1	M6 ST EXTENDED GREASE NIPPLE
8	9100025	2	M10 DOMED NUT
9	05.283.02	2	M10 SHAKE PROOF WASHER
10	2770434	4	M10 FLAT WASHER
11	05.286.02	2	M10 FULL NUT
12	04.282.09	2	M10 X 85 STUD
13	2770484	2	M12 X 25 BOLT
14	2770442	2	M12 SPRING WASHER
15	2770436	2	M12 FLAT WASHER
16	2770506	2	M12 X 30 SKT CSK SCREW
17	4600124	2	BUSH
18	4600125	4	BUSH
19	4600127-A	2	BUSH
20	3700228	1	3/8" BULKHEAD
21	3460115	2	1" BULKHEAD
22	1777955	1	HOSE CLAMP PLATE
23	45630.02	1	HOSE CLAMP

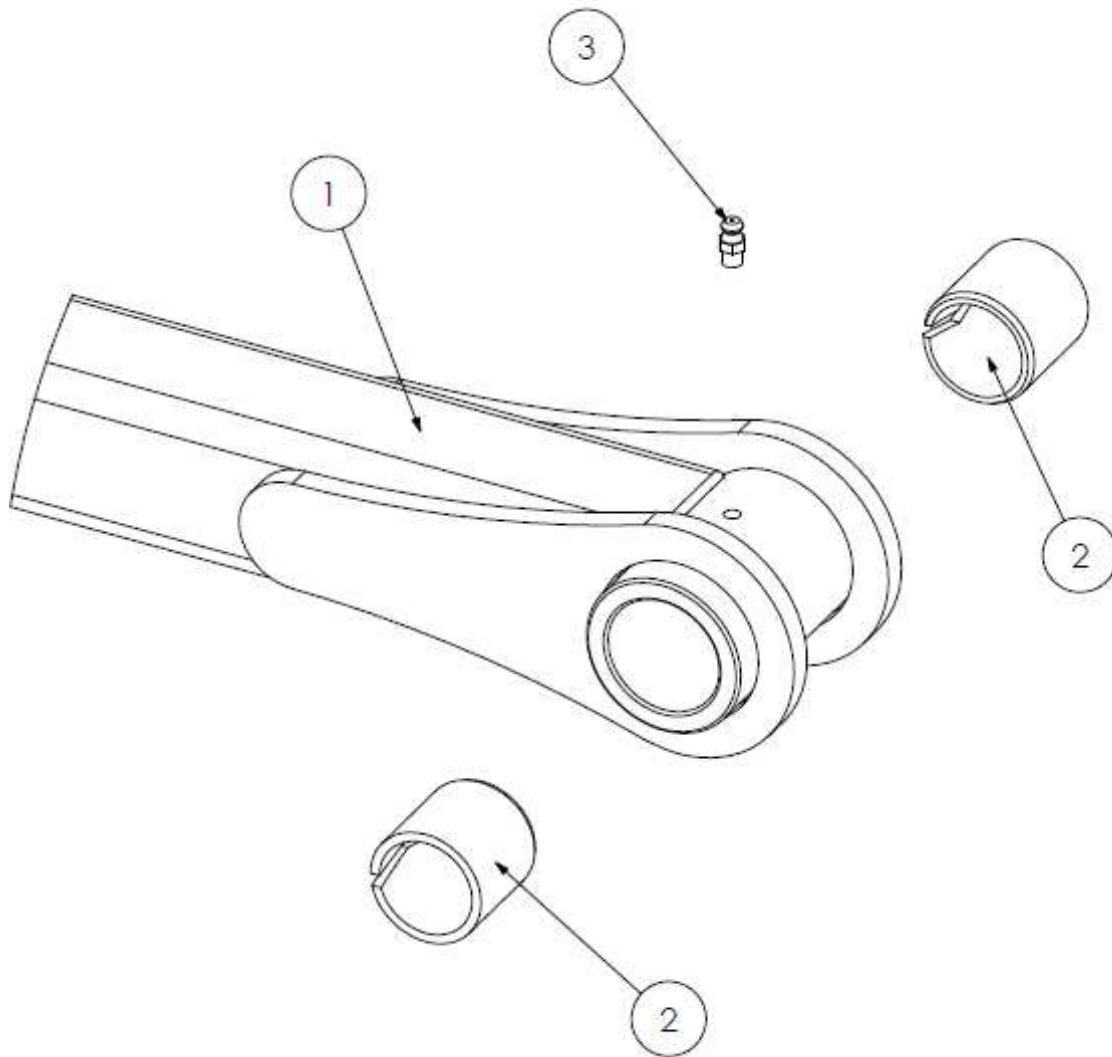
Spearhead TWIGA 500

LH DIPPER ARM – S180014.96
RH DIPPER ARM – S180014.97

REF NO.	PART NO.	QTY.	DESCRIPTION
1	181411	1	LH DIPPER ARM
1	181412	1	RH DIPPER ARM
2	181413	1	HOSE GUARD
3	1782132	1	PEAR PIN: 25.4 X 102 mm
4	1782137	1	PEAR PIN: 30 X 112 mm
5	180818	1	LH BULKHEAD RETAINING PLATE
5	180876	-	RH BULKHEAD RETAINING PLATE
6	2770467	2	M6 ST GREASE NIPPLE
7	2770639	1	M6 ST EXTENDED GREASE NIPPLE
8	2770418	2	M10 X 20 BOLT
9	2770469	2	M10 SPRING WASHER
10	2770434	4	M10 FLAT WASHER
11	9100025	2	M10 DOMED NUT
12	05.283.02	2	M10 SHAKE PROOF WASHER
13	04.282.10	2	M10 X 100 STUD
14	42654.08	2	BUSH
15	4600125	6	BUSH
16	06.430.17	1	OUTER HOSE CLAMP
17	06.430.18	1	INNER HOSE CLAMP
18	3700187	1	1/2" BULKHEAD
19	3460115	2	1" BULKHEAD
20	2770249	5	M5 X 25 SCREW
21	2770391	5	M5 FLAT WASHER
22	2770394	5	M5 NYLOCK NUT
23	03.231.01	100	RUBBER EDGING STRIP

Spearhead TWIGA 500

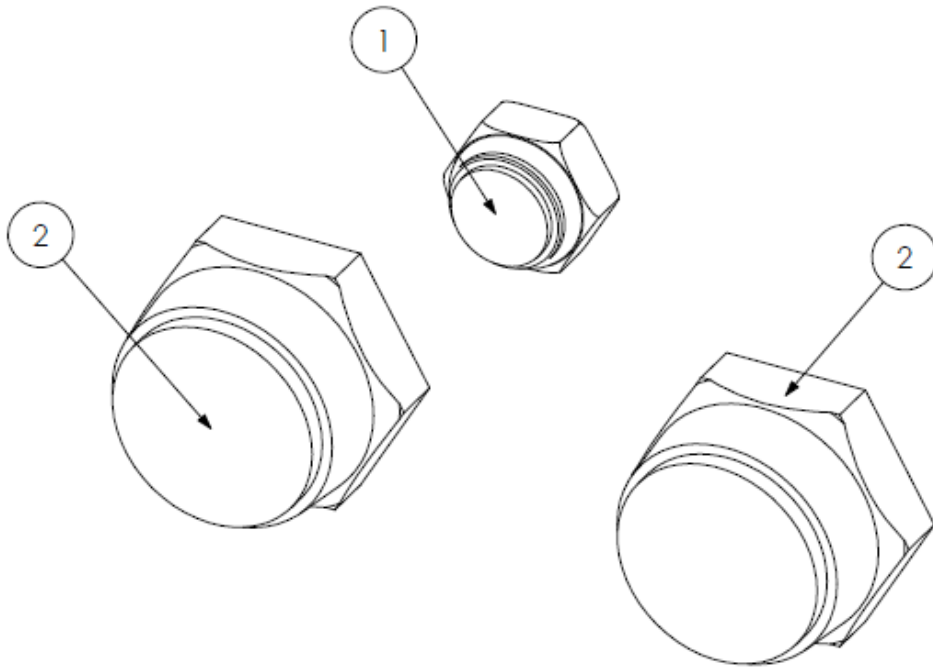
TIE BAR – S180014.58



REF NO.	PART NO.	QTY.	DESCRIPTION
1	1800306	1	TIE BAR
2	4600411	4	BUSH
3	2770467	2	M6 ST GREASE NIPPLE

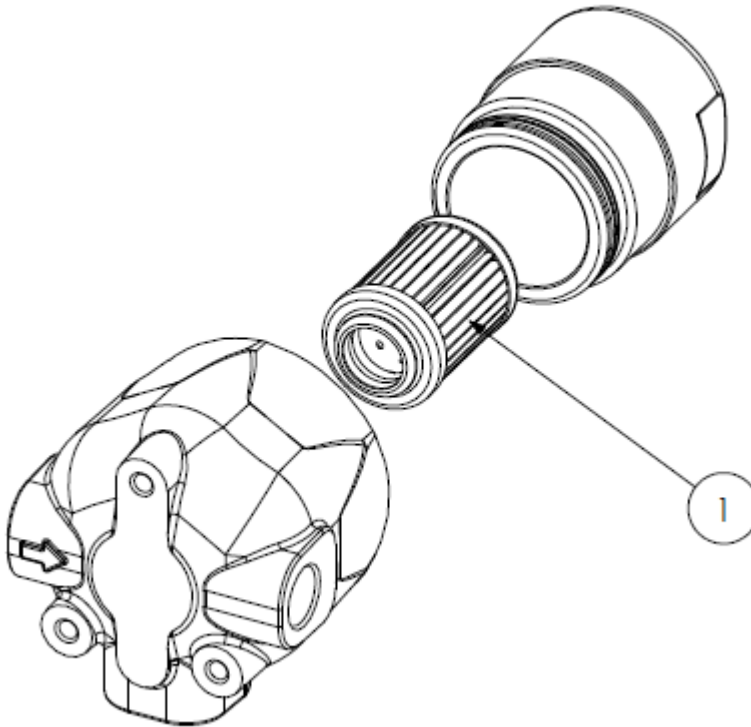
Spearhead TWIGA 500

HOSE BLANKING CAPS – S180032.67



REF NO.	PART NO.	QTY.	DESCRIPTION
1	07.082.01	1	3/8" BLANKING CAP
2	05.433.08	2	1" BLANKING CAP

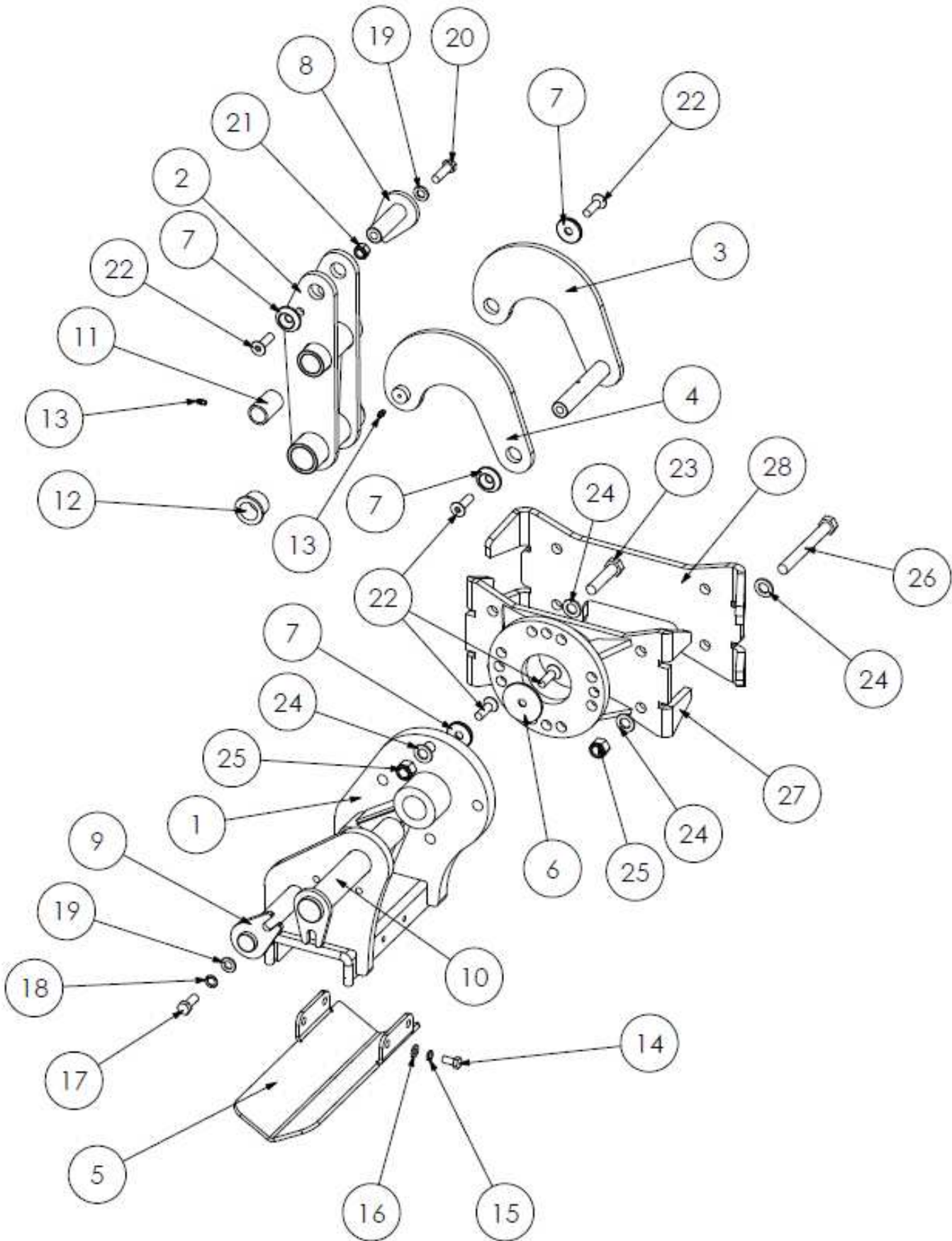
3900081 - PRESSURE FILTER



REF NO.	PART NO.	QTY.	DESCRIPTION
1	3900082	1	ELEMENT

Spearhead TWIGA 500

LH HEAD MOUNT BRACKET - S180010.40
RH HEAD MOUNT BRACKET - S180010.41



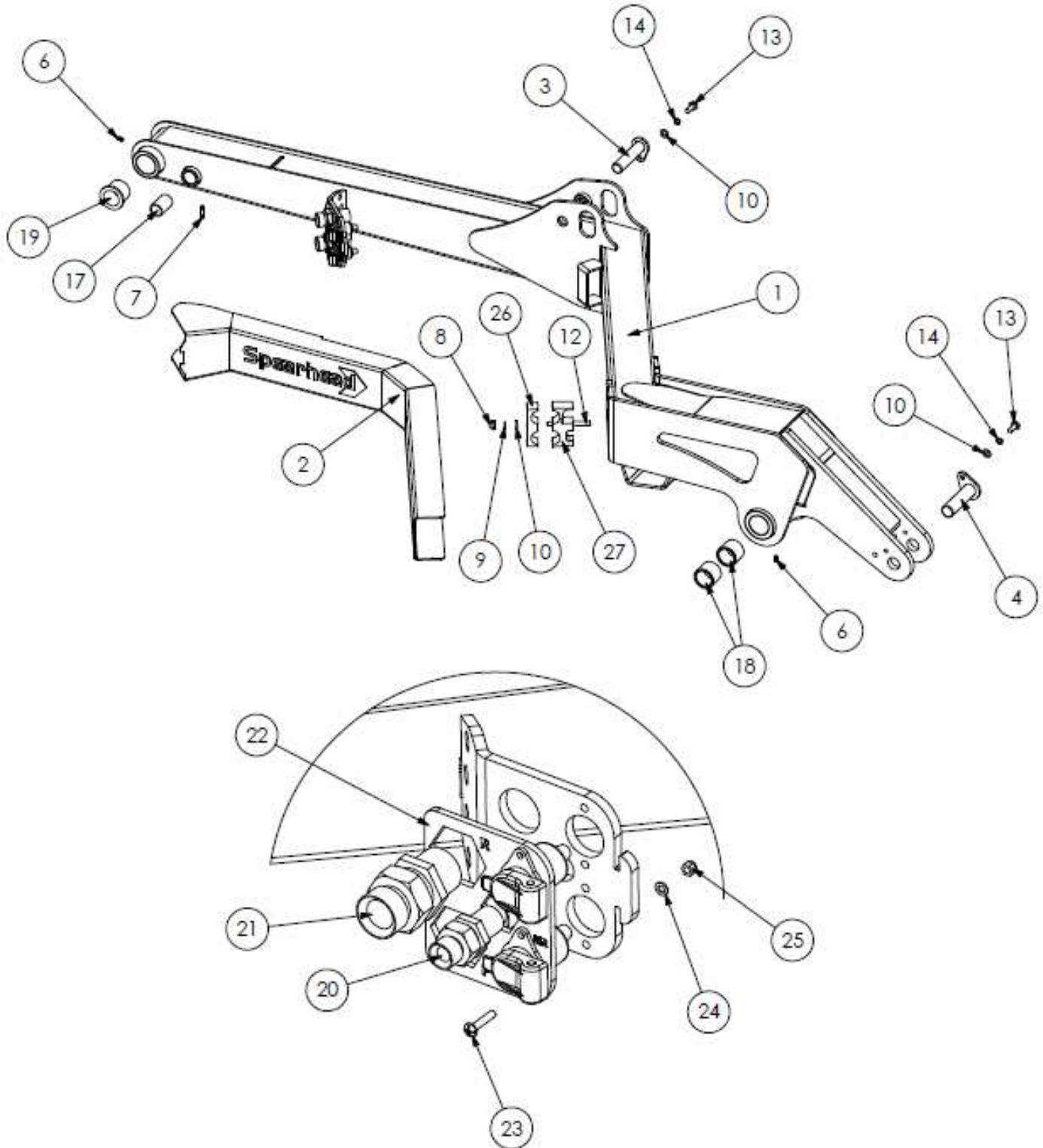
Spearhead TWIGA 500

LH HEAD MOUNT BRACKET - S180010.40
RH HEAD MOUNT BRACKET - S180010.41

REF NO.	PART NO.	QTY.	DESCRIPTION
1	1777316E	1	LH BRACKET
1	1777316ER	1	RH BRACKET
2	1777116A	1	CROWD LINK
3	1777117R	1	RH CURVED LINK
4	1777117L	1	LH CURVED LINK
5	1777879	1	HOSE CARRIER PLATE
6	1777208	1	RETAINING WASHER - 65mm
7	1777209	4	RETAINING WASHER - 40mm
8	1777918A	1	PEAR PIN: 25.4 X 80 mm
9	1777914A	1	PEAR PIN: 30 X 251 mm
10	1777911A	1	PEAR PIN: 40 X 251 mm
11	4600124	2	BUSH
12	4600135B	2	BUSH
13	2770467	3	M6 ST GREASE NIPPLE
14	2770418	4	M10 X 20 BOLT
15	2770469	4	M10 SPRING WASHER
16	2770434	4	M10 FLAT WASHER
17	2770420	2	M12 X 30 BOLT
18	2770442	2	M12 SPRING WASHER
19	2770436	3	M12 FLAT WASHER
20	2770443	1	M12 X 40 BOLT
21	2770417	1	M12 NYLOCK
22	2770506	5	M12 X 30 SKT CSK SCREW
23	05.291.39	4	M16 X 70 BOLT
24	2770454	16	M16 FLAT WASHER
25	2770447	8	M16 NYLOCK
26	2770346	4	M16 X 140 BOLT
27	1777315B	1	HEAD MOUNT BRACKET
28	1777325B	1	HEAD CLAMP PLATE

Spearhead TWIGA 500

LH FR DIPPER ARM - S180014.87
RH FR DIPPER ARM - S180014.77



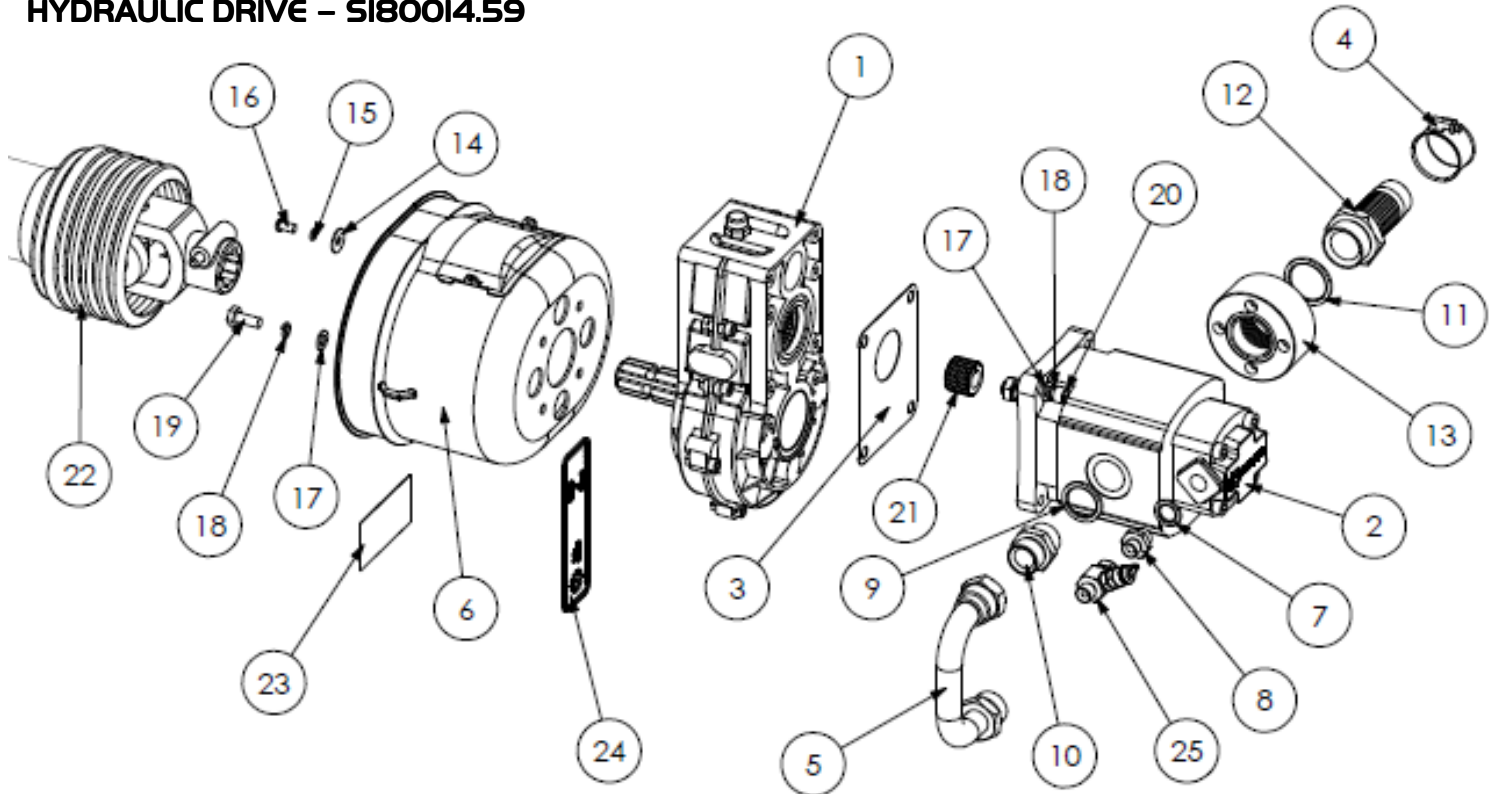
Spearhead TWIGA 500

LH FR DIPPER ARM – S180014.87
RH FR DIPPER ARM – S180014.77

REF NO.	PART NO.	QTY.	DESCRIPTION
1	180940	1	LH DIPPER ARM
1	180941	1	RH DIPPER ARM
2	181588	1	HOSE GUARD
3	1782127	1	PEAR PIN: 25.4 X 114 mm
4	1782137	1	PEAR PIN: 30 X 112 mm
6	2770467	2	M6 ST GREASE NIPPLE
7	2770639	1	M6 ST EXTENDED GREASE NIPPLE
8	9100025	1	M10 DOMED NUT
9	05.283.02	1	M10 SHAKE PROOF WASHER
10	2770434	3	M10 FLAT WASHER
12	04.282.10	1	M10 X 100 STUD
13	2770407	2	M10 X 25 BOLT
14	2770469	2	M10 SPRING WASHER
17	4600124	2	BUSH
18	4600125	4	BUSH
19	4600127-A	2	BUSH
20	3700187	1	1/2" BULKHEAD
21	3460115	2	1" BULKHEAD
22	180818	1	LH BULKHEAD RETAINING PLATE
22	180876	-	RH BULKHEAD RETAINING PLATE
23	2770249	5	M5 X 25 SCREW
24	2770391	5	M5 FLAT WASHER
25	2770394	5	M5 NYLOCK NUT
26	06.430.17	1	OUTER HOSE CLAMP
27	06.430.18	1	INNER HOSE CLAMP

Spearhead TWIGA 500

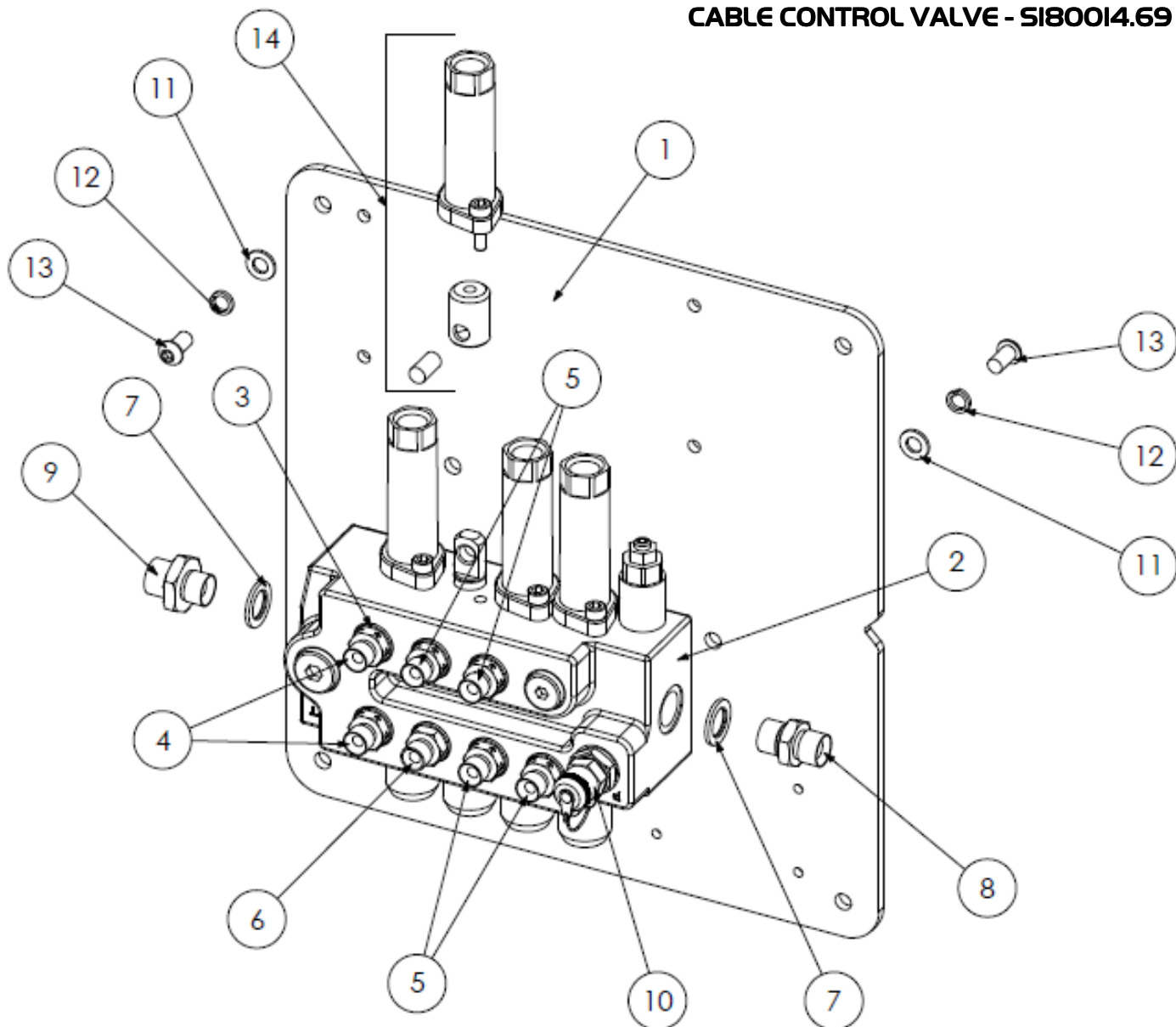
HYDRAULIC DRIVE – S180014.59



REF NO.	PART NO.	QTY.	DESCRIPTION
1	3151026	1	GEARBOX (Pg 61)
2	3151033A	1	TANDEM PUMP (Pg 53)
3	3151019	1	GASKET
4	47603.01	2	CLAMP
5	46127.02	1	U BEND
6	5770117	1	CONE
7	3260072	1	½" BONDED SEAL
8	3360088	1	3/8" X ½" M-M
9	3260074	1	1" BONDED SEAL
10	3360092	1	1" M-M ADAPTOR
11	3700226	1	1 ½" BONDED SEAL
12	3761006	1	1 ½" MALE INSERT
13	3761012	1	PUMP FLANGE
14	2770244	2	M8 REPAIR WASHER
15	2770433	2	M8 SPRING WASHER
16	2770370	2	M8 X 16 SKT BUTTON
17	2770436	4	M10 FLAT WASHER
18	2770442	4	M10 SPRING WASHER
19	2770407	4	M10 X 25 BOLT
20	30.072.28	2	M10 X 40 SKT CAP SCREW
21	3151011	1	SPLINED BUSH
22	5770084C	1	P.T.O. (Pg 43)
23	8770305	1	RECOMMENDED PTO DECAL
24	8770539	1	GEARBOX OIL LEVEL DECAL
25	48372.01	1	TEST POINT

Spearhead TWIGA 500

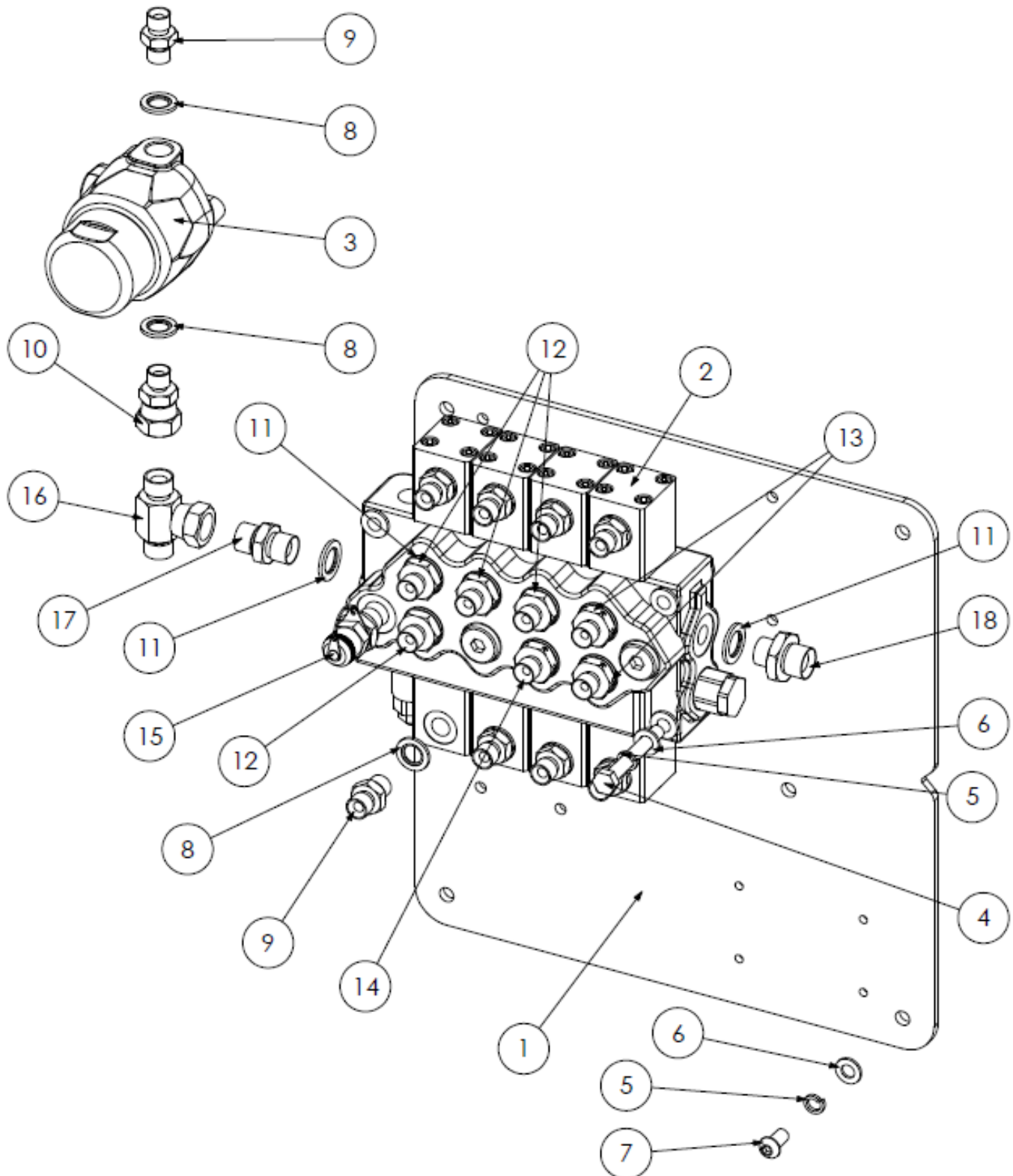
CABLE CONTROL VALVE - S180014.69



REF NO.	PART NO.	QTY.	DESCRIPTION
1	1800325	1	VALVE MOUNT PLATE
2	3600108	1	VALVE ASSEMBLY
3	3360070	7	1/4" BONDED SEAL
4	3360097	2	1/4" M-M R1 ADAPTOR
5	3360100	4	1/4" M-M R1.5 ADAPTOR
6	3360080	1	1/4" M-M ADAPTOR
7	3260071	2	3/8" BONDED SEAL
8	3360086	1	3/8" M-M ADAPTOR
9	3360088	1	3/8" M - 1/2" M ADAPTOR
10	3360111	1	3/8" TEST PORT
11	2770432	6	M8 FLAT WASHER
12	2770433	6	M8 SPRING WASHER
13	2770370	6	M8 X 16 SKT BUTTON SCREW
14	47532.01	4	CABLE FITTING KIT

Spearhead TWIGA 500

PROPORTIONAL CONTROL VALVE – S180014.63



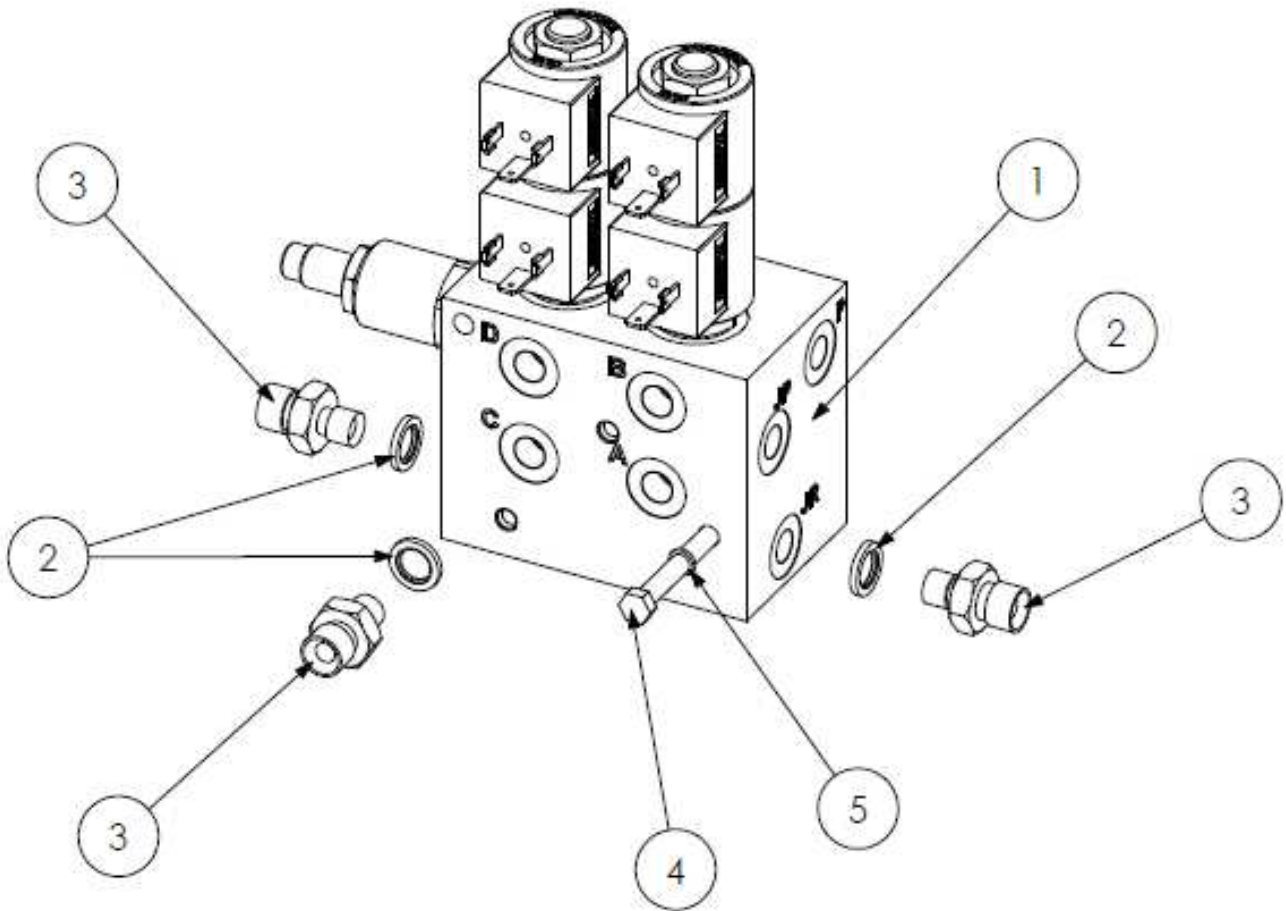
Spearhead TWIGA 500

PROPORTIONAL CONTROL VALVE – S180014.63

REF NO.	PART NO.	QTY.	DESCRIPTION
1	1800325	1	VALVE MOUNT PLATE
2	3910295	1	CONTROL VALVE (Pg 54)
3	3900081	1	FILTER (Pg 19)
4	2770430	2	M8 X 60 BOLT
5	2770433	6	M8 SPRING WASHER
6	2770432	6	M8 FLAT WASHER
7	2770370	4	M8 X 16 SKT BUTTON SCREW
8	3260070	10	1/4" BONDED SEAL
9	3360080	10	1/4" M-M ADAPTOR
10	3360079	1	3/8" FM - 1/4" M SW
11	3260071	9	3/8" BONDED SEAL
12	3360083	4	1/4"-3/8" M-M ADAPTOR
13	3360098	2	1/4"-3/8" M-M R 1.0mm
14	3360104	1	1/4"-3/8" M-M R 2.0mm
15	3360111	1	3/8" TEST PORT
16	3460099	1	3/8" M-FM-M TEE
17	3360086	1	3/8" M-M ADAPTOR
18	3360088	1	3/8"-1/2" M-M ADAPTOR

Spearhead TWIGA 500

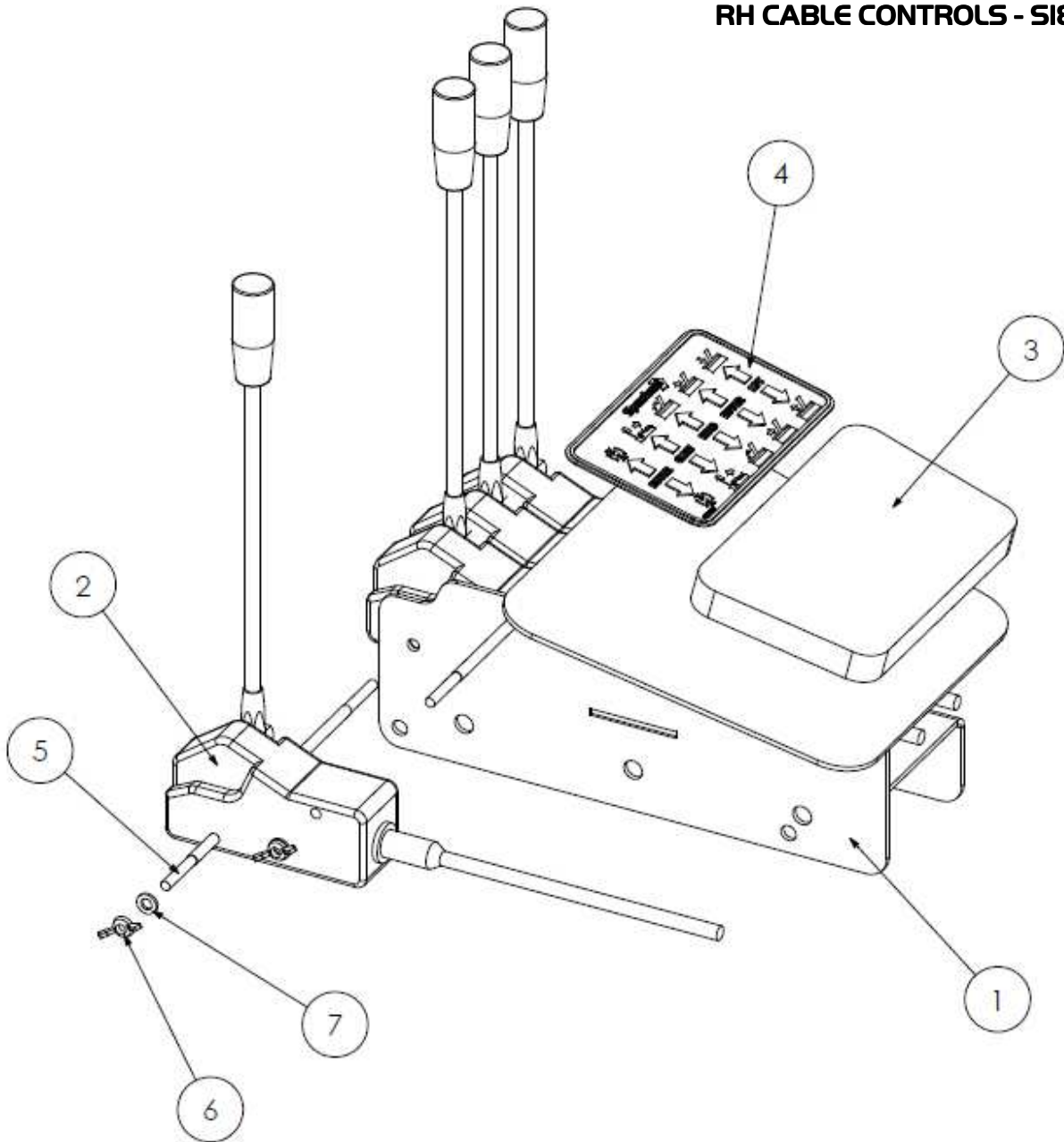
PILOT VALVE – S180014.79



REF NO.	PART NO.	QTY.	DESCRIPTION
1	3610102	1	2 BANK PILOT VALVE (Pg 57)
2	3260069	8	1/8" BONDED SEAL
3	3250150	8	1/8" M - 1/4" M ADAPTOR
4	30.068.93	2	M6 X 70 BOLT
5	05.282.07	2	M6 SPRING WASHER

Spearhead TWIGA 500

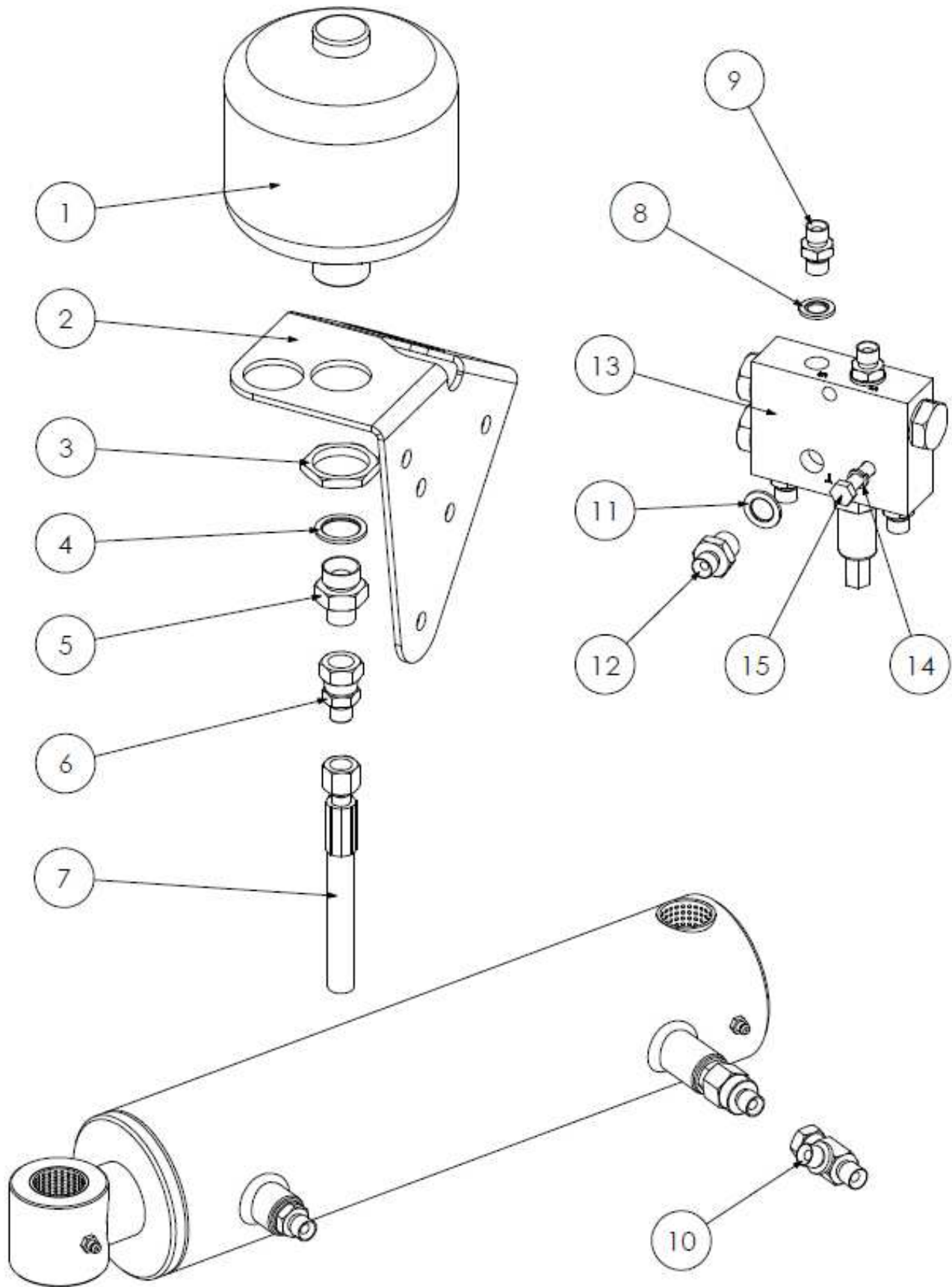
LH CABLE CONTROLS - S180014.68
RH CABLE CONTROLS - S180014.76



REF NO.	PART NO.	QTY.	DESCRIPTION
1	180325	1	CABLE MOUNT BRACKET
2	47531.01	4	CABLE ASSEMBLY - 3M
3	5771642	1	FOAM PAD
4	8770436	1	LH DECAL
4	8770438	1	RH DECAL
5	04.282.71	2	M6 X 233 STUD
6	05.948.37	4	M6 WING NUT
7	2771408	4	M6 FLAT WASHER

Spearhead TWIGA 500

BREAK BACK – S180014.62



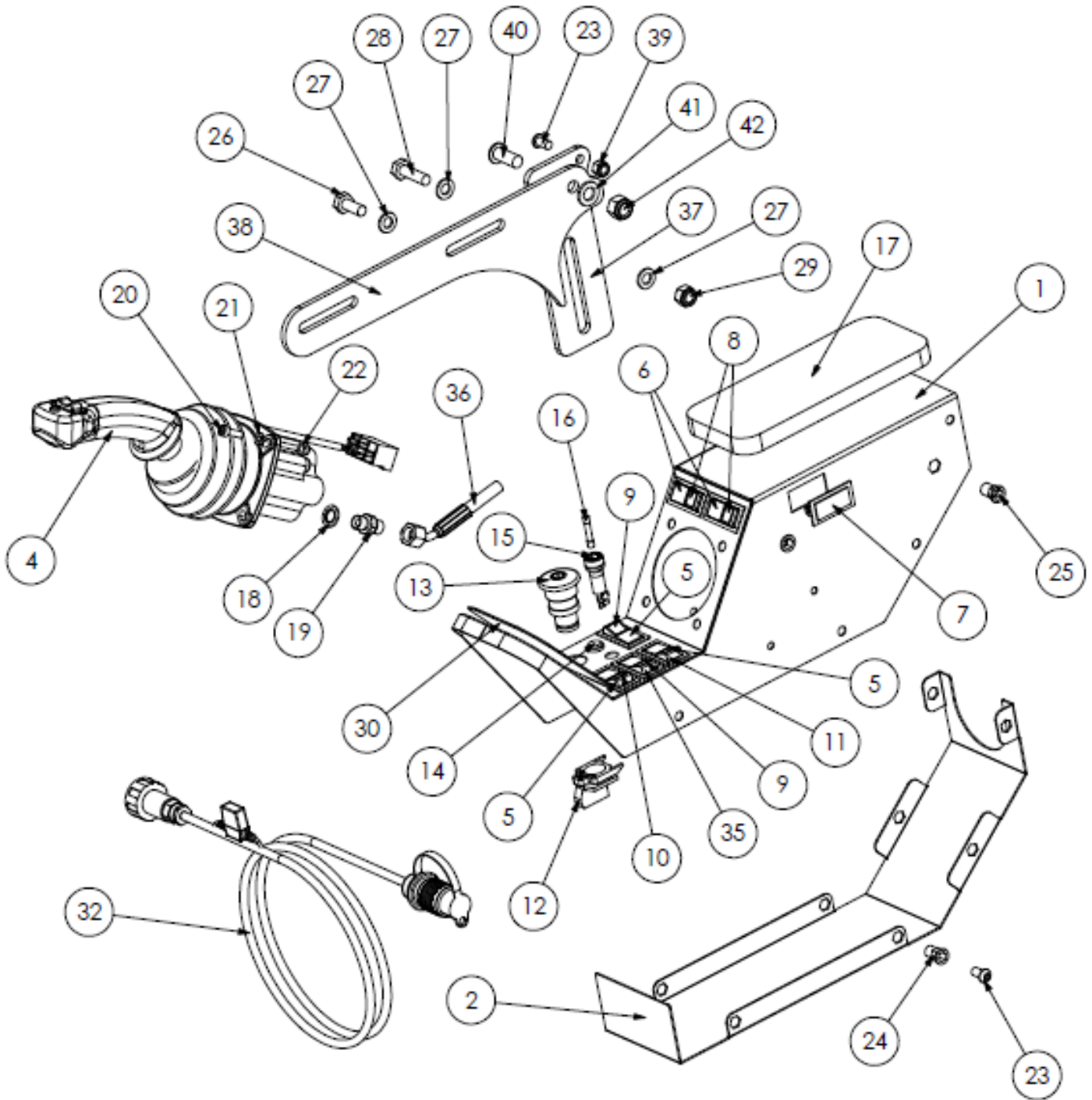
Spearhead TWIGA 500

BREAK BACK – S180014.62

REF NO.	PART NO.	QTY.	DESCRIPTION
1	3900071	1	ACCUMULATOR BOTTLE - 32 Bar
2	180418	1	BOTTLE BRACKET
3	8126035	1	M33 NUT
4	8650322	1	M22 BONDED SEAL
5	G2410380	1	3/8"-M22 M-M
6	3360079	1	1/4"-3/8" M-FM SW
7	3760115	1	HOSE: 1/4 X 600mm
8	3260070	4	1/4" BONDED SEAL
9	3360080	4	1/4" M-M
10	3460300	1	1/4" FM/M/M TEE
11	3260071	1	3/8" BONDED SEAL
12	3360083	1	3/8" M - 1/4" M ADAPTOR
13	3610056A	1	BREAK BACK VALVE
14	2770433	2	M8 SPRING WASHER
15	05.291.03	2	M8 X 40 BOLT

Spearhead TWIGA 500

LH HYDRAULIC PROPORTIONAL CONTROLS – S180032.15
RH HYDRAULIC PROPORTIONAL CONTROLS – S180032.47



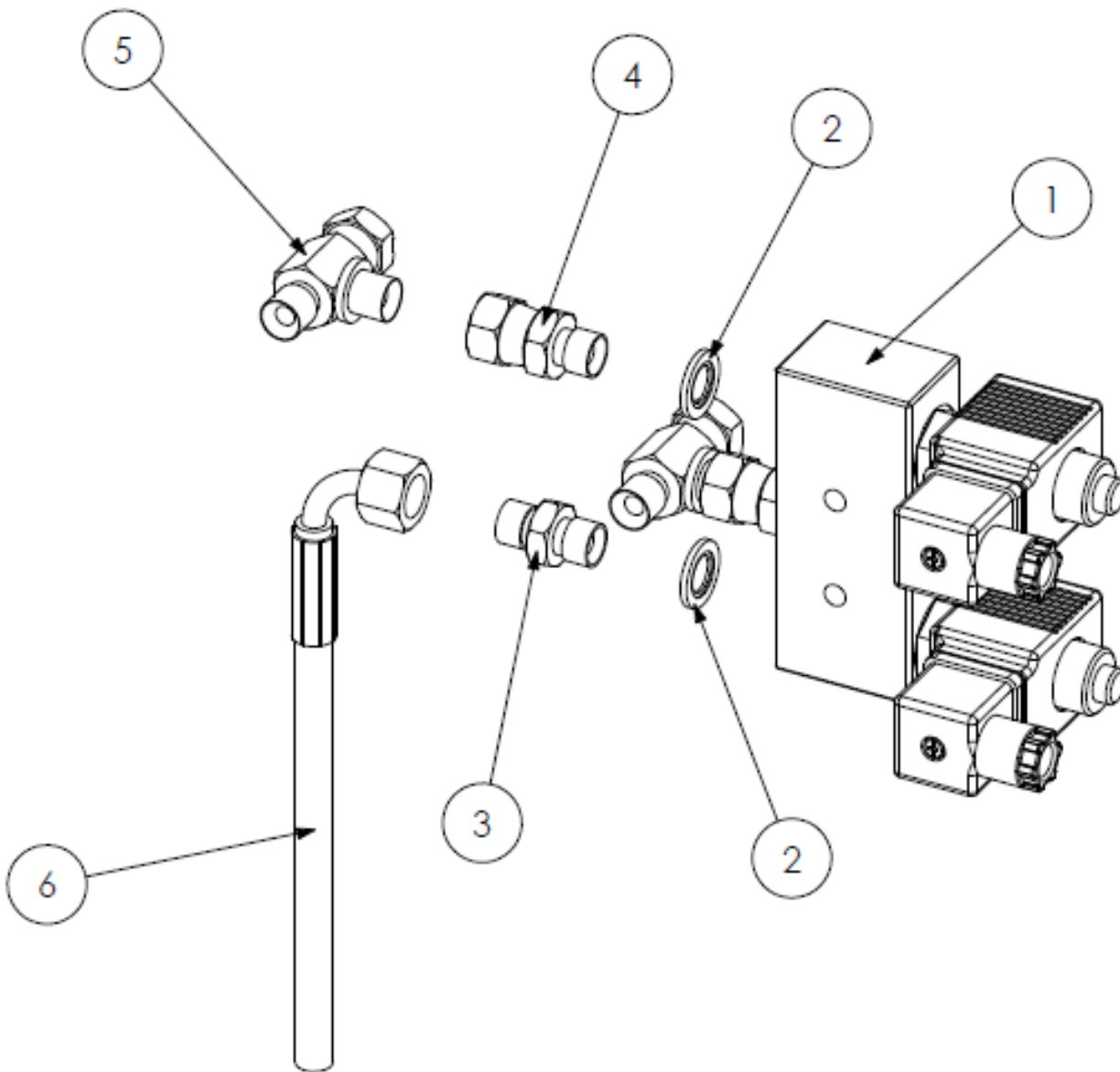
Spearhead TWIGA 500

LH HYDRAULIC PROPORTIONAL CONTROLS – S180032.15
RH HYDRAULIC PROPORTIONAL CONTROLS – S180032.47

REF NO.	PART NO.	QTY.	DESCRIPTION
1	1777028A	1	ARMREST
2	1777033	1	ARMREST COVER
4	3910228A	1	JOYSTICK (Pg 55)
5	3910276	3	SWITCH - ON/OFF
6	8400160	2	SWITCH - ON/OFF/ON
7	8400162	1	SWITCH BLANK
8	8400163B	2	SWITCH INSERT - BLANK
9	8400163G	2	SWITCH INSERT - GREEN
10	8400163R	1	SWITCH INSERT - RED
11	8400163Y	1	SWITCH INSERT - YELLOW
12	8400166	1	ROTOR SWITCH
13	8400167	1	ROTOR KNOB
14	8400168	1	POWER LIGHT
15	8400183	1	FUSE HOLDER
16	8400184	1	FUSE
17	5771634	1	FOAM PAD
18	3260070	6	1/4" BONDED SEAL
19	3360080	6	1/4" M-M
20	2770336	4	M6 X 25 SKT CAP BOLT
21	2771408	4	M6 FLAT WASHER
22	2770373	4	M6 NYLOCK NUT
23	2770370	9	M8 X 15 SKT BUTTON BOLT
24	2770206	8	M8 RIVNUT
25	2770202	4	M10 RIVNUT
26	2770407	2	M10 X 25 BOLT
27	2770434	6	M10 FLAT WASHER
28	2770396	2	M10 X 35 BOLT
29	2770412	2	M10 NYLOCK
30	8770456	1	LH DECAL
30	8770457	1	RH DECAL
31	8770748	1	CONTROL LOOM
32	8770712	1	POWER LEAD
33	43542.21	1	LARGE HOSE SLEEVE
34	30.058.66	12	SMALL CABLE TIE
35	8400035	1	SWITCH - OFF/ON/ON
36	3750561	1	HOSE KIT (Pg 52)
37	181284	1	SEAT BRACKET
38	181285	1	ARM REST BRACKET
39	2770416	1	M8 NYLOCK NUT
40	05.625.10	1	M12 X 30 SKT BUTTON SCREW
41	2770436	1	M12 FLAT WASHER
42	2770417	1	M12 NYLOCK NUT

Spearhead TWIGA 500

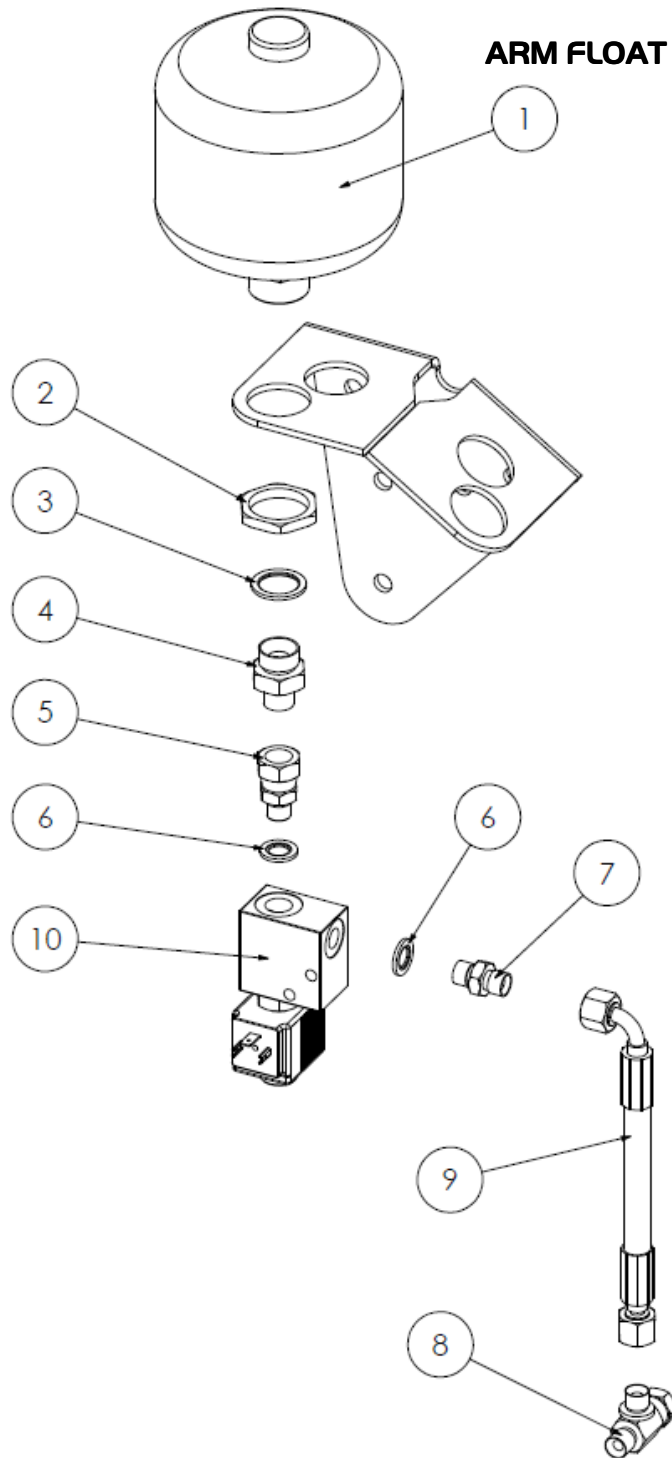
HEAD FLOAT ASSEMBLY – S180014.64



REF NO.	PART NO.	QTY.	DESCRIPTION
1	3600132	1	HEAD FLOAT VALVE (Pg 58)
2	3260070	3	1/4" BONDED SEAL
3	3360080	1	1/4" M-M ADAPTOR
4	3360081	2	1/4" M-FM ADAPTOR
5	3460300	2	1/4" FM/M/M TEE
6	3760133	1	HOSE: 1/4" X 1600 mm

Spearhead TWIGA 500

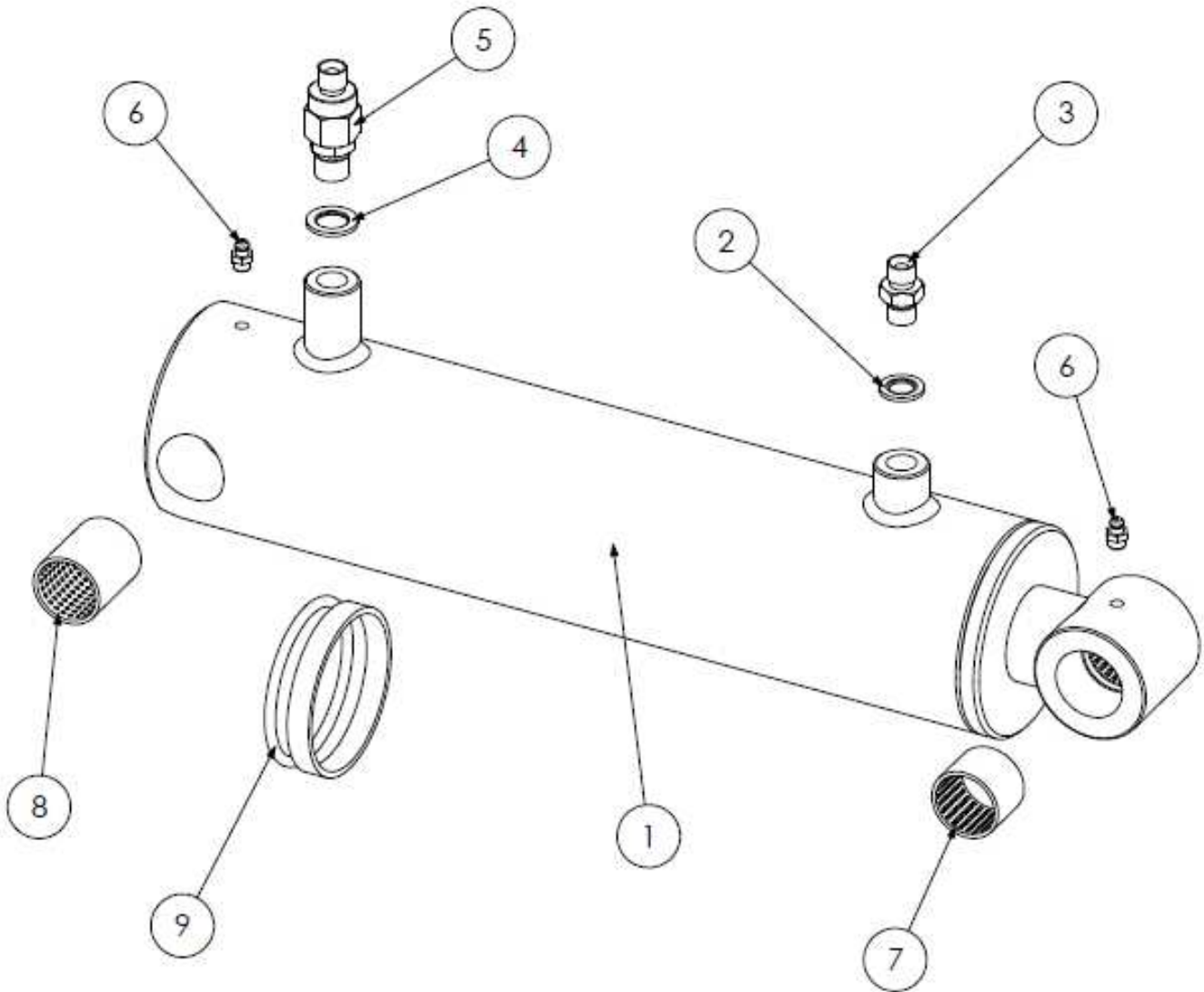
ARM FLOAT ASSEMBLY – S180014.66



REF NO.	PART NO.	QTY.	DESCRIPTION
1	3900071	1	ACCUMULATOR BOTTLE - 32 Bar
2	8126035	1	M33 NUT
3	8650322	1	M22 BONDED SEAL
4	G2410380	1	3/8"-M22 M-M
5	3360079	1	1/4"-3/8" M-FM SW
6	3260070	2	1/4" BONDED SEAL
7	3360080	1	1/4" M-M
8	3460300	1	1/4" FM/M/M TEE
9	3760132	1	HOSE: 1/4" X 850 mm
10	3610053	1	ELECTRONIC VALVE (Pg 59)

Spearhead TWIGA 500

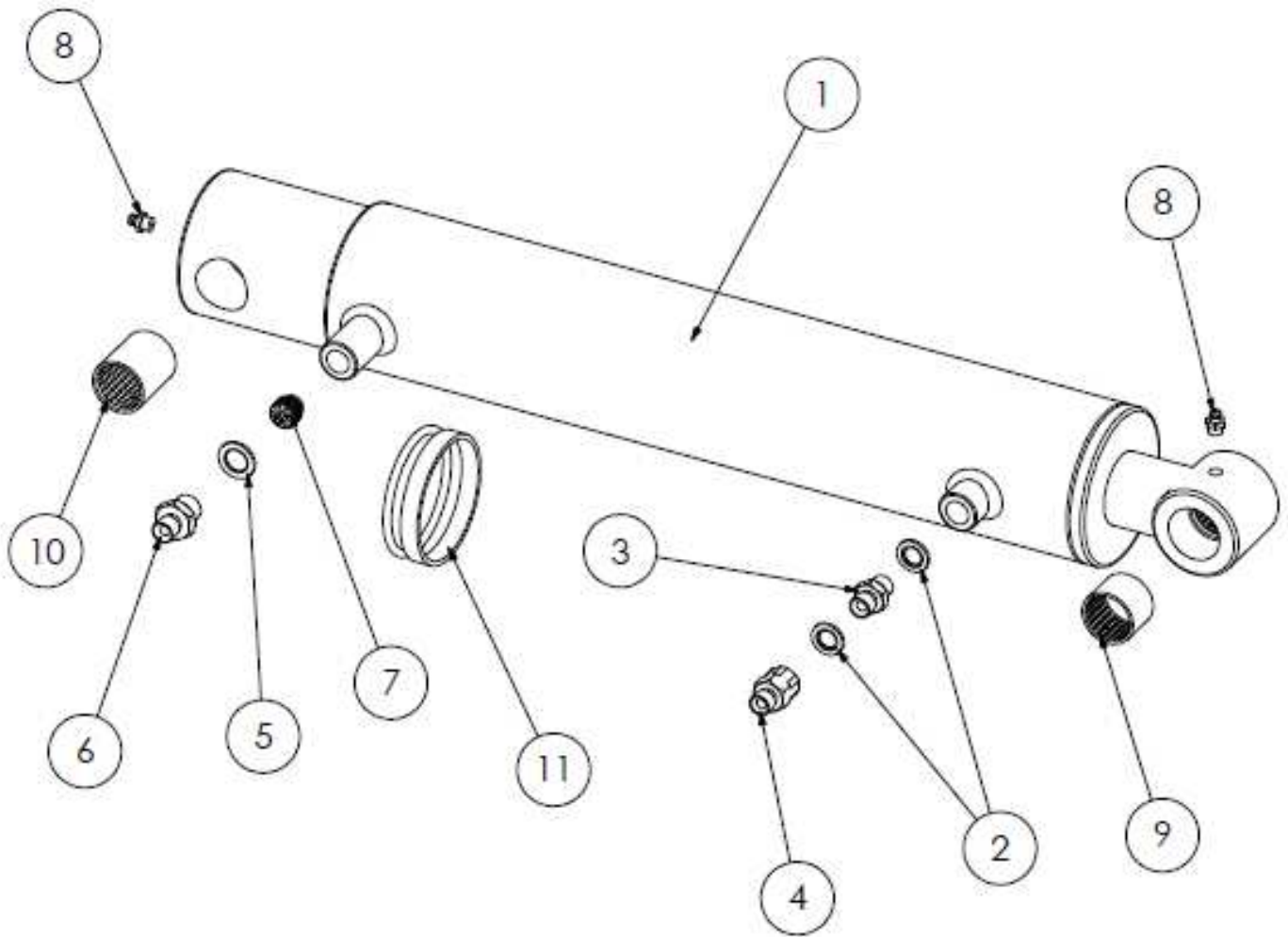
SLEW RAM – S1800I4.80



REF NO.	PART NO.	QTY.	DESCRIPTION
1	3580666	1	SLEW RAM
2	3260070	1	1/4" BONDED SEAL
3	3360080	1	1/4" M-M ADAPTOR
4	3260071	1	3/8" BONDED SEAL
5	46518.08	1	RESTRICTOR
6	01.070.04	2	1/8 ST GREASE NIPPLE
7	4600412	2	BUSH
8	4600414	2	BUSH
9	3580666.01	1	SEAL KIT

Spearhead TWIGA 500

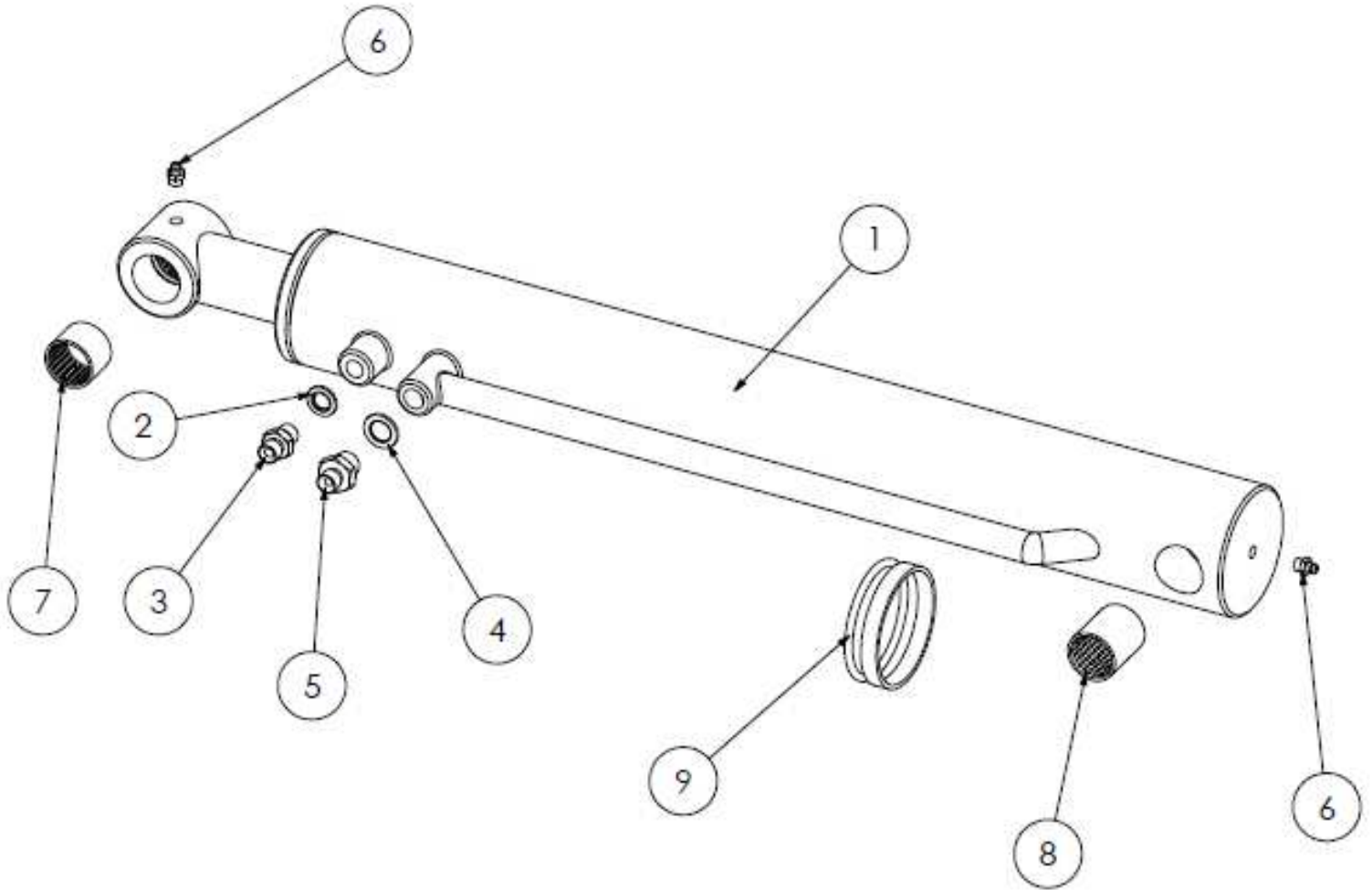
LIFT RAM – S180014.65



REF NO.	PART NO.	QTY.	DESCRIPTION
1	3580649A	1	LIFT RAM
2	3260070	2	1/4" BONDED SEAL
3	3360080	1	1/4" M-M ADAPTOR
4	3250148	1	1/4" M-FM ADAPTOR
5	3260071	1	3/8" BONDED SEAL
6	3360083	1	3/8" M - 1/4" M ADAPTOR
7	3600118	1	HOSE BURST
8	01.070.01	2	1/8 ST GREASE NIPPLE
9	4600153	2	BUSH
10	42654.08	2	BUSH
11	3570667HP	1	SEAL KIT

Spearhead TWIGA 500

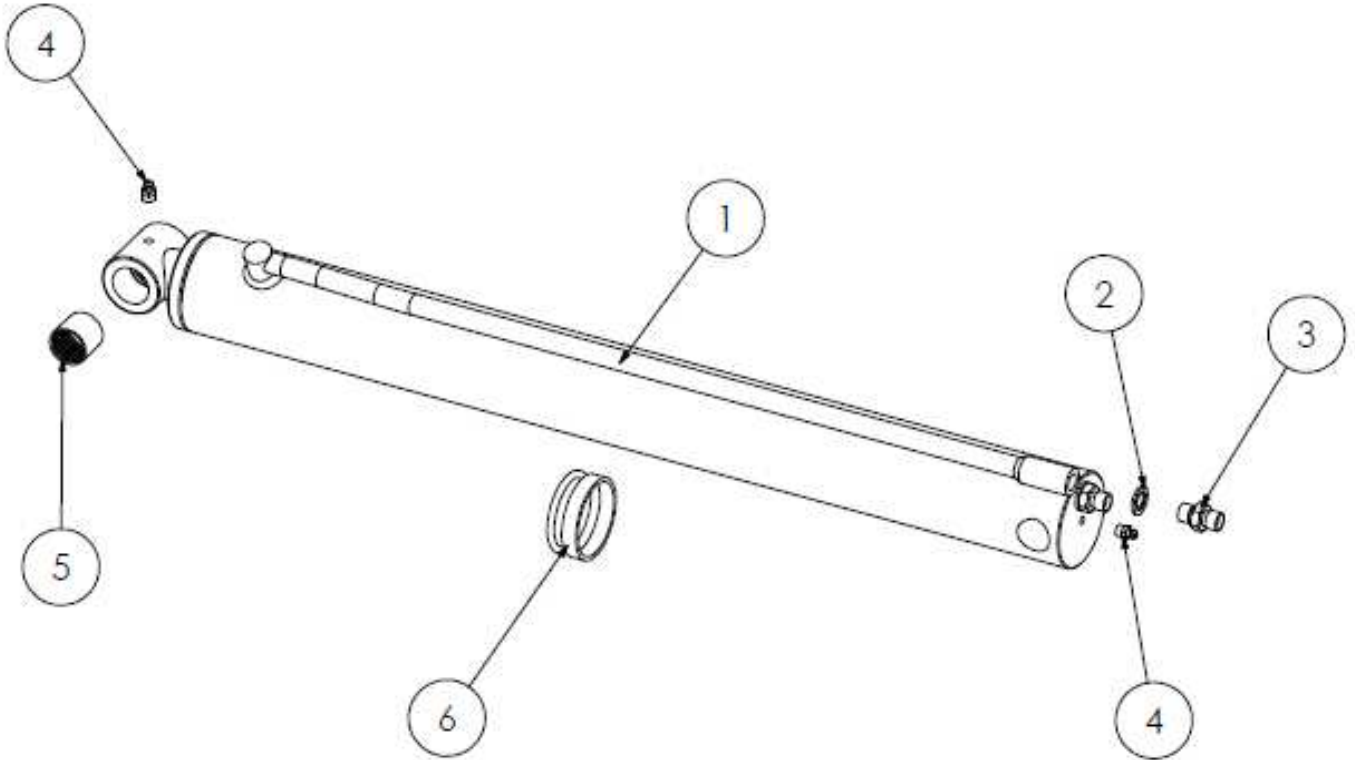
DIPPER RAM - S180014.67



REF NO.	PART NO.	QTY.	DESCRIPTION
1	3580640	1	DIPPER RAM
2	3260070	1	1/4" BONDED SEAL
3	3360080	1	1/4" M-M ADAPTOR
4	3260071	1	3/8" BONDED SEAL
5	3360083	1	3/8" M - 1/4" M ADAPTOR
6	01.070.04	1	1/8 ST GREASE NIPPLE
7	4600153	2	BUSH
8	42654.08	2	BUSH
9	3570664HP	1	SEAL KIT

Spearhead TWIGA 500

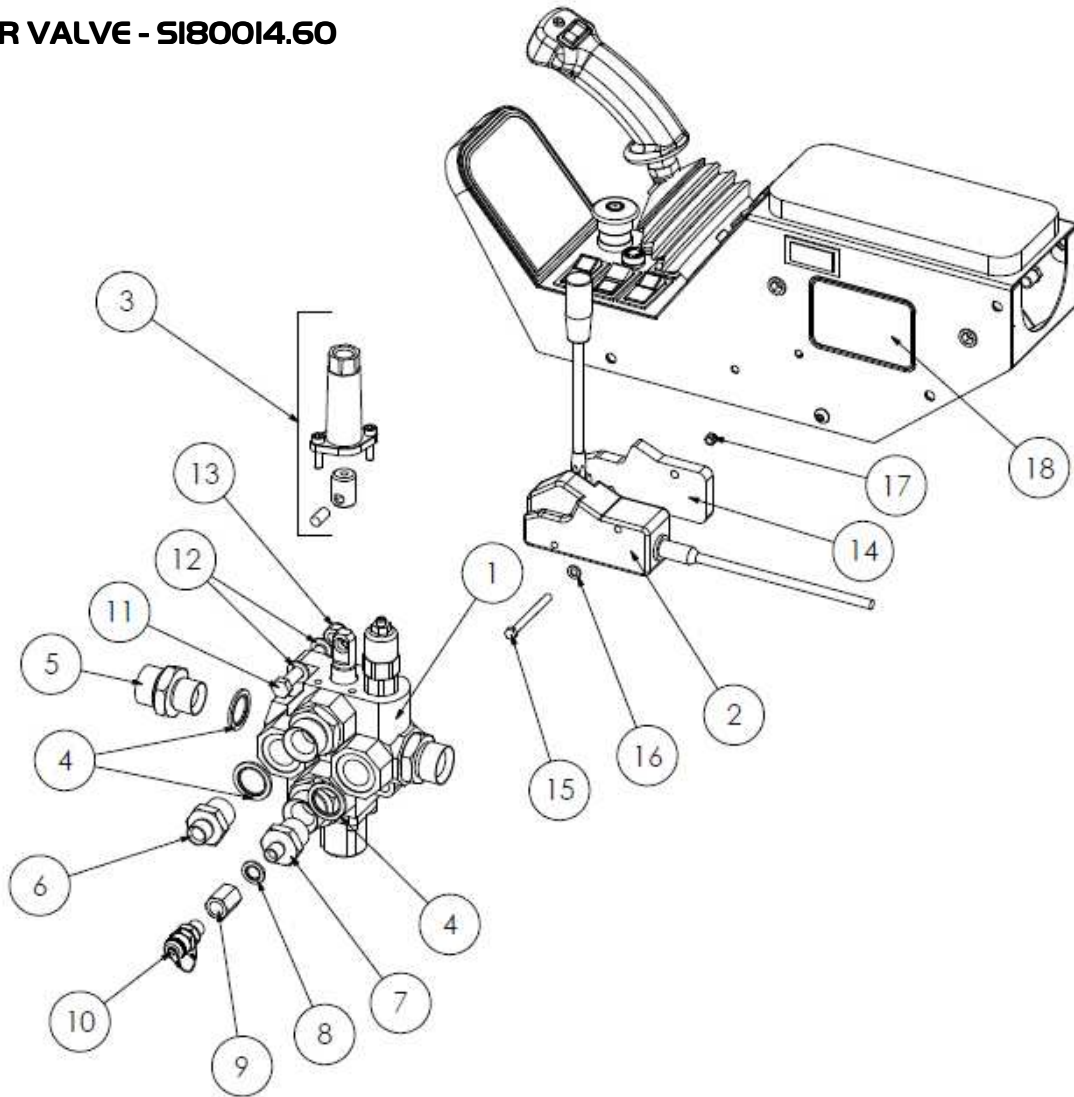
HEAD RAM – SI80032.29



REF NO.	PART NO.	QTY.	DESCRIPTION
1	3580636	1	HEAD RAM
2	3260070	2	1/4" BONDED SEAL
3	3360080	2	1/4" M-M ADAPTOR
4	01.070.04	2	1/8 ST GREASE NIPPLE
5	4600413	2	BUSH
6	3570666HP	1	SEAL KIT

Spearhead TWIGA 500

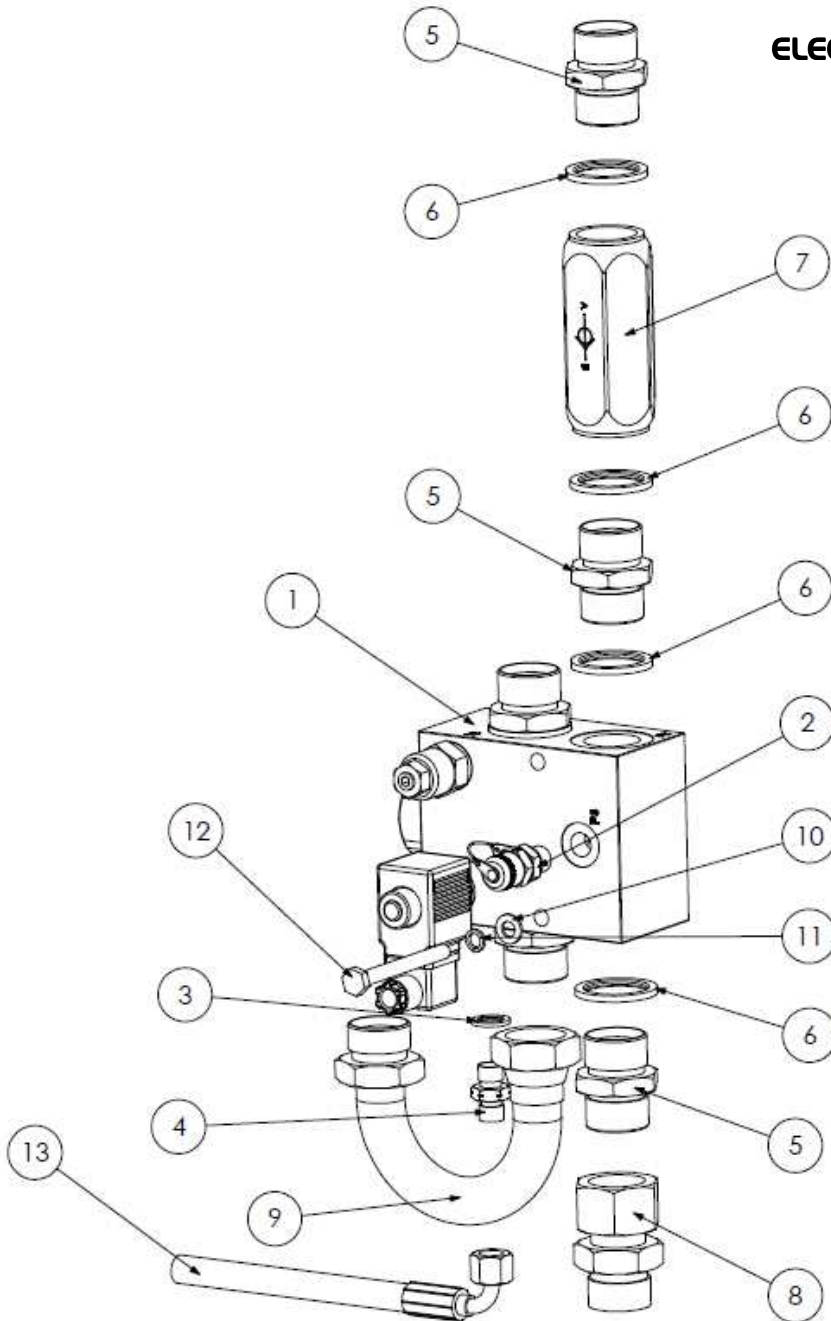
CABLE ROTOR VALVE - S180014.60



REF NO.	PART NO.	QTY.	DESCRIPTION
1	48033.02	1	VALVE (Pg 56)
2	47531.05	1	CABLE AND LEVER ASSEMBLY
3	47539.01	1	CABLE FITTING KIT
4	3260073	6	3/4" BONDED SEAL
5	3360091	4	3/4" M - 1" M ADAPTOR
6	3360089	1	3/4" M - 1/2" M ADAPTOR
7	3360085	1	3/4" M - 1/4" M ADAPTOR
8	3260070	1	1/4" BONDED SEAL
9	3360110A	1	1/4" BARREL
10	3360110	1	1/4" TEST PORT
11	05.291.17	2	M10 X 60 BOLT
12	2770434	4	M10 FLAT WASHER
13	2770412	2	M10 NYLOCK
14	1800334	1	SPACER PLATE
15	30.072.08	2	M6 X 65 SKT CAP SCREW
16	2771408	2	M6 FLAT WASHER
17	2770373	2	M6 NYLOCK
18	8770489	1	ROTOR CONTROL DECAL

Spearhead TWIGA 500

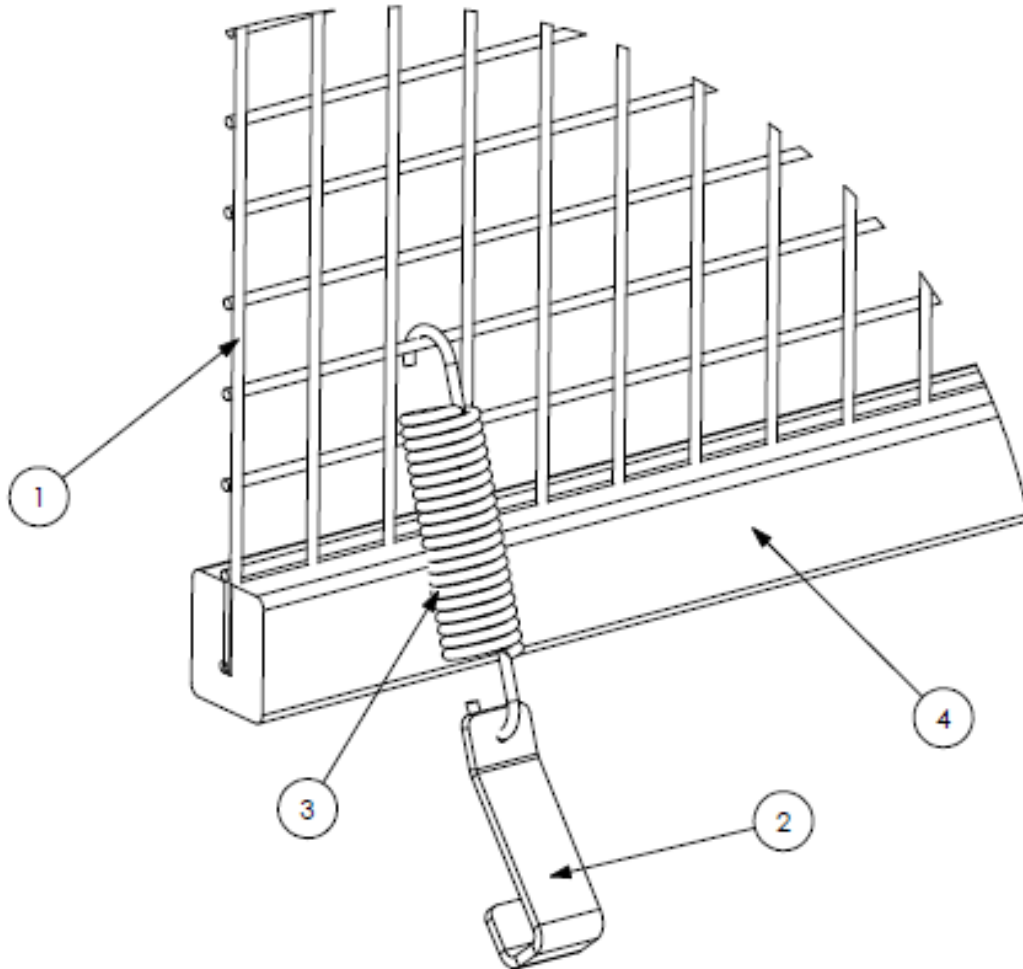
ELECTRIC ROTOR VALVE - S180014.6I



REF NO.	PART NO.	QTY.	DESCRIPTION
1	3600099A	1	ROTOR VALVE (Pg 60)
2	3360110	1	1/4" TEST PORT
3	3260070	1	1/4" BONDED SEAL
4	3360100	1	1/4" M-M R1.5
5	3260074	5	1" M-M
6	3360092	6	1" BONDED SEAL
7	3600089	1	CHECK VALVE
8	3360093	1	1" M - 1" FM ADAPTOR
9	46043.01	1	1" 180° U BEND
10	2770432	2	M8 FLAT WASHER
11	2770433	2	M8 SPRING WASHER
12	2772289	2	M8 X 80 BOLT
13	3760127	1	HOSE: 1/4" X 2000mm

Spearhead TWIGA 500

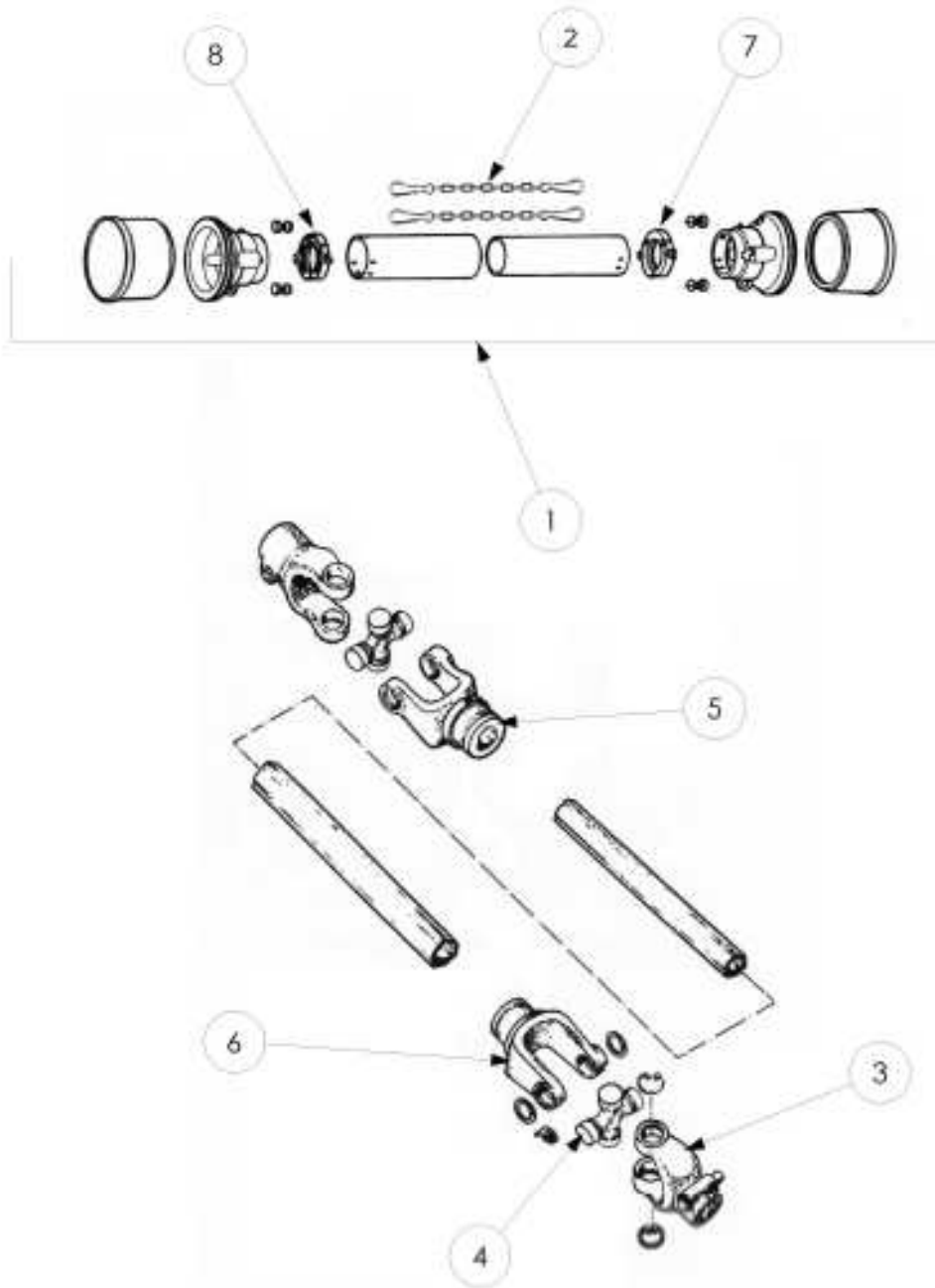
CAB GUARD KIT – SI80028.53



REF NO.	PART NO.	QTY.	DESCRIPTION
	OPT0603	1	CAB GUARD KIT
1	1777140	2	MESH PANEL
2	41745.01	10	HOOK
3	6310209	10	SPRING
4	8550134	1	FOAM - 5M

Spearhead TWIGA 500

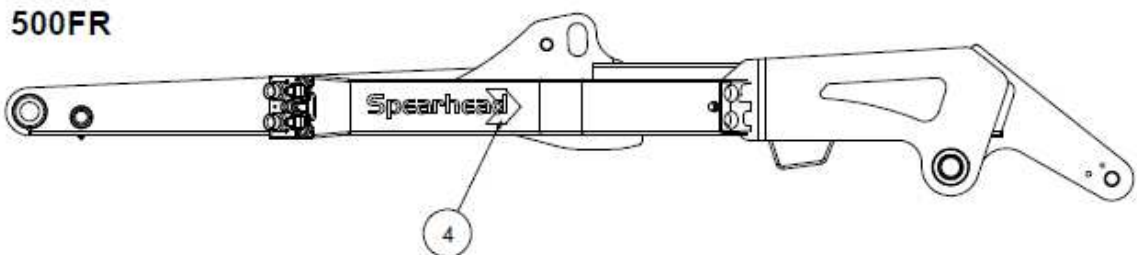
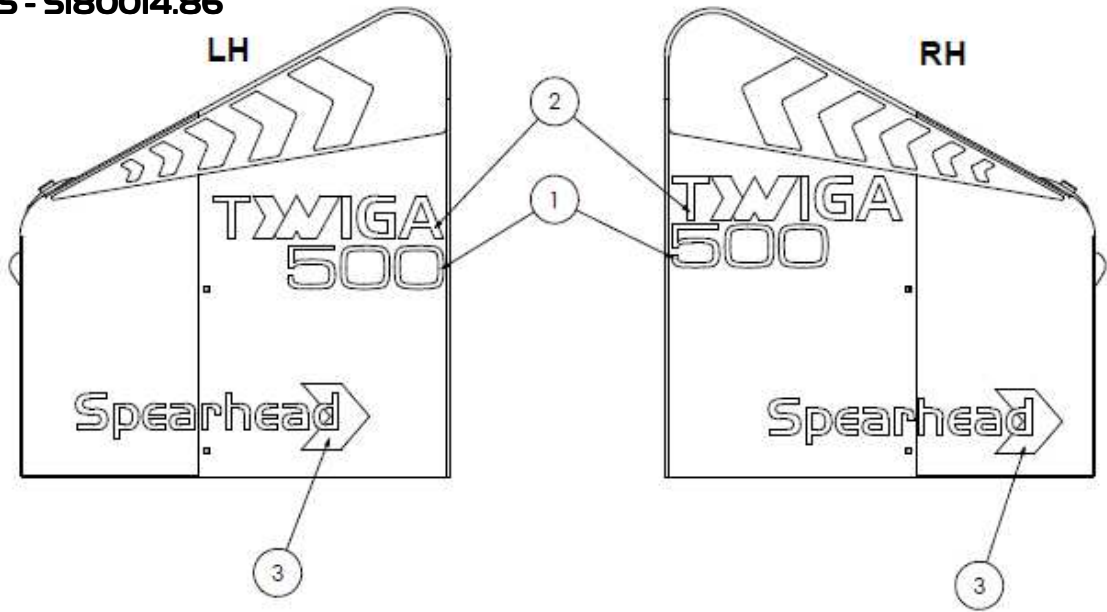
PTO ASSEMBLY



REF NO.	PART NO.	QTY.	DESCRIPTION
	5770084C	-	PTO ASSEMBLY
1	5772263	-	GUARD
2	5771020	-	CHAIN
3	5772240	-	YOKE – 6 SPLINE
3	5772241	-	YOKE – 21 SPLINE
4	5772242	-	CROSS JOURNAL
5	5772244	-	INNER YOKE
6	5772264	-	OUTER YOKE
7	4770814	-	OUTER BEARING
8	4770815	-	INNER BEARING

Spearhead TWIGA 500

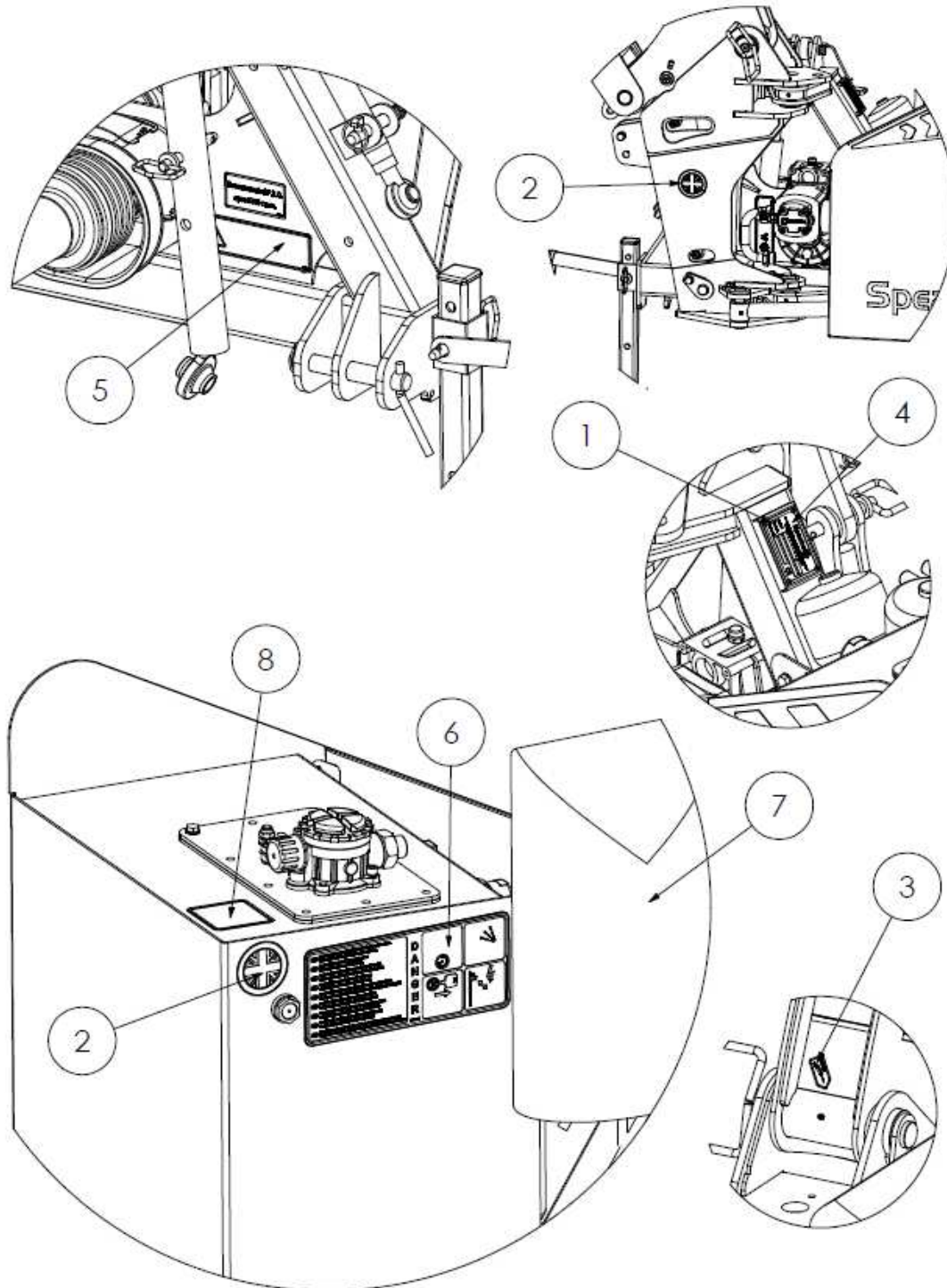
500 DECALS - S180014.85
 500FR DECALS - S180014.86



REF NO.	PART NO.	QTY.	DESCRIPTION
1	8770413	2	500 DECAL
1	8770504	2	500FR DECAL
2	8770376	2	TWIGA DECAL
3	8770373	1	SPEARHEAD DECAL
4	8770374	1	SPEARHEAD DECAL - 500
4	8770388	1	SPEARHEAD DECAL - 500FR

Spearhead TWIGA 500

SAFETY DECALS – S180014.102



REF NO.	PART NO.	QTY.	DESCRIPTION
1	7103230	4	RIVET
2	8770307	2	MADE IN GB DECAL
3	8770322	20	GREASE POINT DECAL
4	8770330	1	SERIAL NUMBER PLATE
5	8770346	1	CHECK CHAINS DECAL
6	8770470	1	SAFETY DECAL
7	8770518	1	CONTROLS COVER
8	8770549	1	FILTER CHANGE DECAL

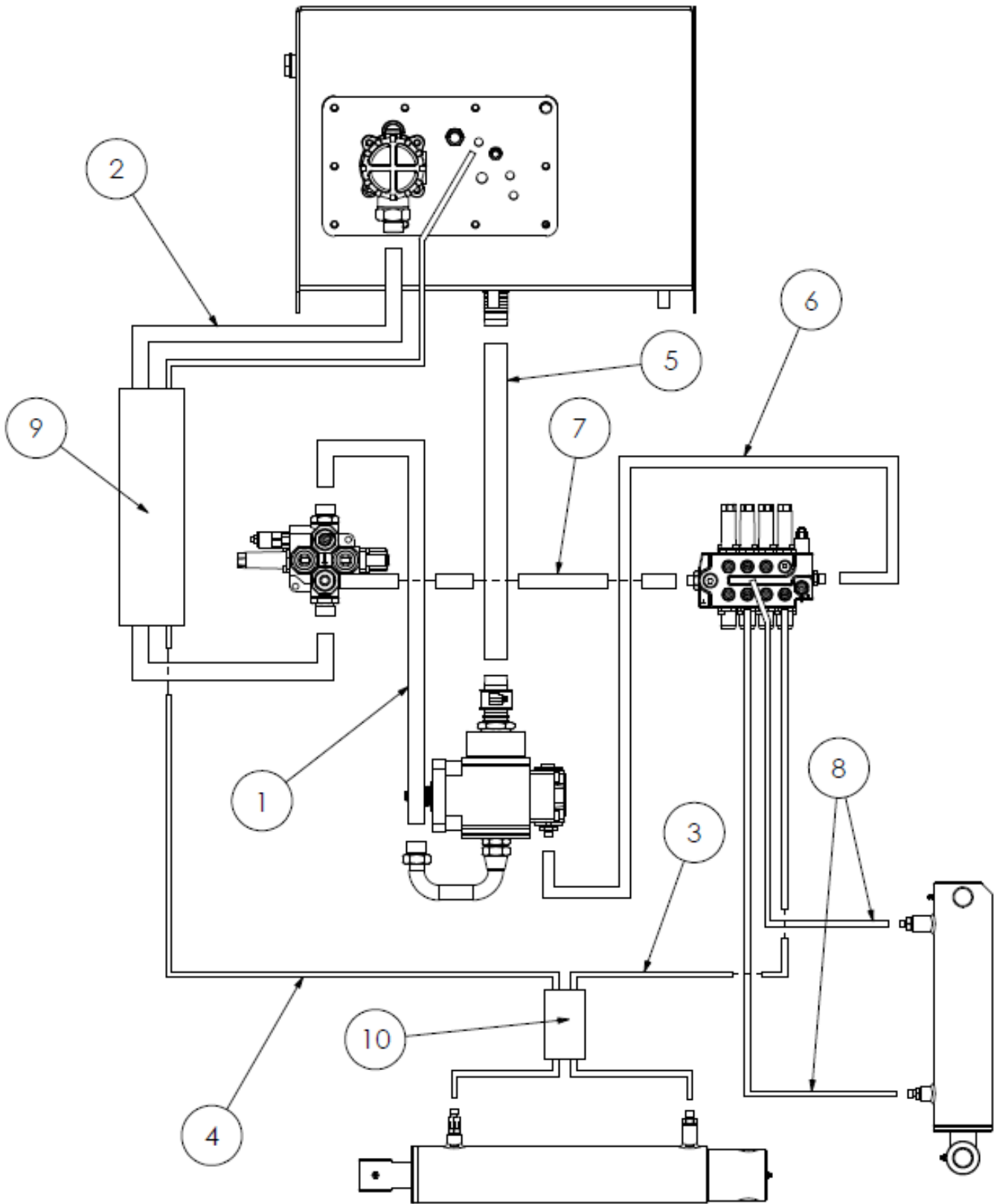
Spearhead TWIGA 500

HYDRAULIC PROPORTIONAL BASE HOSE KIT - S180014.8I

REF NO.	PART NO.	QTY.	DESCRIPTION
	3751510	-	BASE HOSE KIT
1	3751510.01	1	HOSE: 3/8" - 1200mm
2	3751510.02	1	HOSE: 1" - 770mm
3	3751510.03	1	HOSE:1" - 850mm
4	3751510.04	1	HOSE: 1/2" - 800mm
5	3751510.05	1	HOSE: 1/4" - 670mm
6	3751510.06	2	HOSE: 1/4" - 600mm
7	3751510.07	1	HOSE: 1/4" - 1040mm
8	3751510.08	1	HOSE: 1/4" - 1200mm
9	3751510.09	2	HOSE: 1/4" - 290mm
10	3751510.10	1	HOSE: 1/4" - 1600mm
11	3751510.11	1	HOSE: 1 1/2" - 500mm
12	3751510.12	1	HOSE: 1/4" - 1600mm
13	43542.01	1	HOSE SLEEVE: 800mm LRG
14	43543.03	1	HOSE SLEEVE: 1000mm SM
15	06.023.01	10	CABLE TIE - LRG
16	30.058.66	6	CABLE TIE - SM

Spearhead TWIGA 500

CABLE CONTROL BASE HOSE KIT - S180014.82



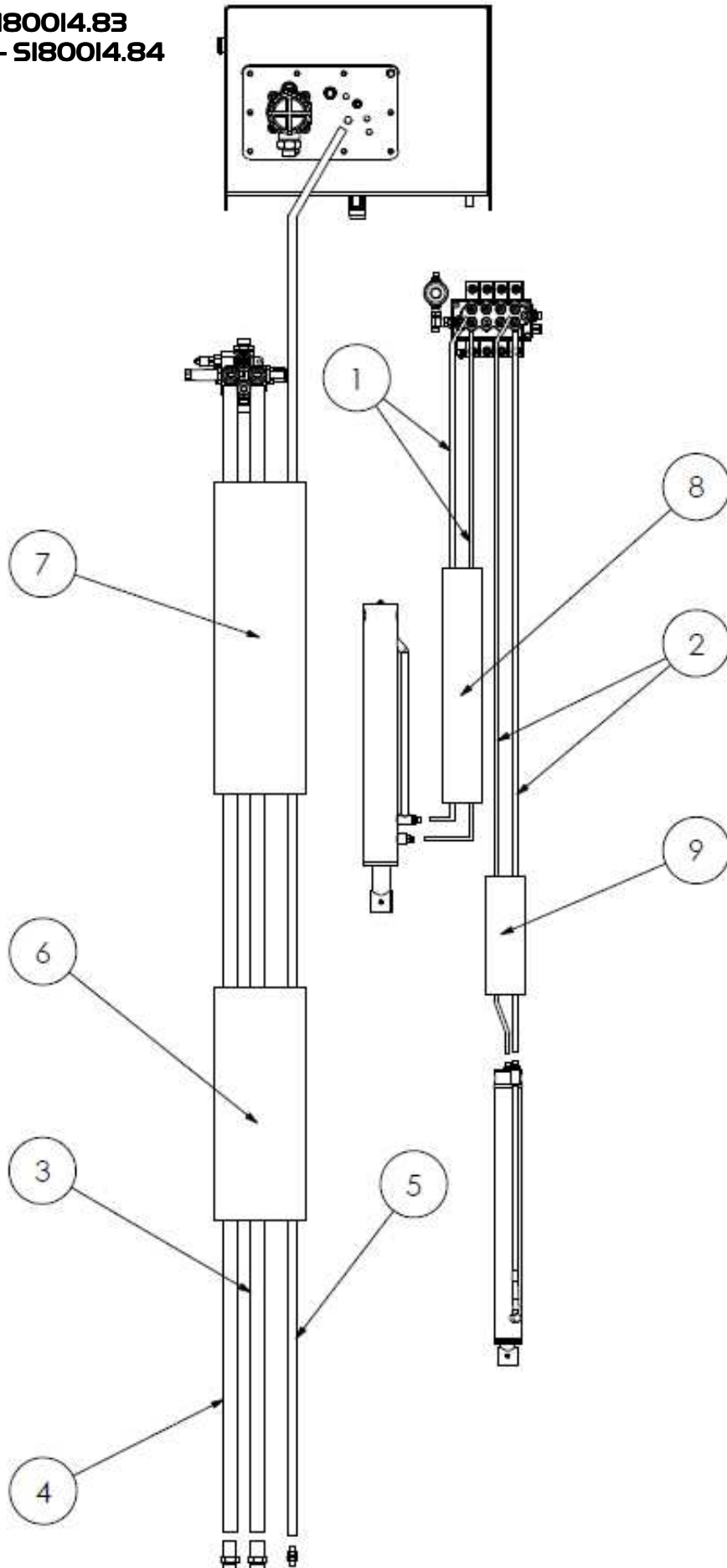
Spearhead TWIGA 500

CABLE CONTROL BASE HOSE KIT - S180014.82

REF NO.	PART NO.	QTY.	DESCRIPTION
	3751511	-	BASE HOSE KIT
1	3751510.02	1	HOSE: 1" - 770mm
2	3751510.03	1	HOSE: 1" - 850mm
3	3751510.07	1	HOSE: 1/4" - 1040mm
4	3751510.08	1	HOSE: 1/4" - 1200mm
5	3751510.11	1	HOSE: 1 1/2" - 500mm
6	3751511.01	1	HOSE: 3/8" - 1300mm
7	3751511.02	1	HOSE: 1/2" - 450mm
8	3751511.03	1	HOSE: 1/4" - 600mm
9	43542.01	1	HOSE SLEEVE: 800mm LRG
10	43543.03	1	HOSE SLEEVE: 1000mm SM
11	06.023.01	10	CABLE TIE - LRG
12	30.058.66	6	CABLE TIE - SM

Spearhead TWIGA 500

500 ARM HOSE KIT - S180014.83
500FR ARM HOSE KIT - S180014.84



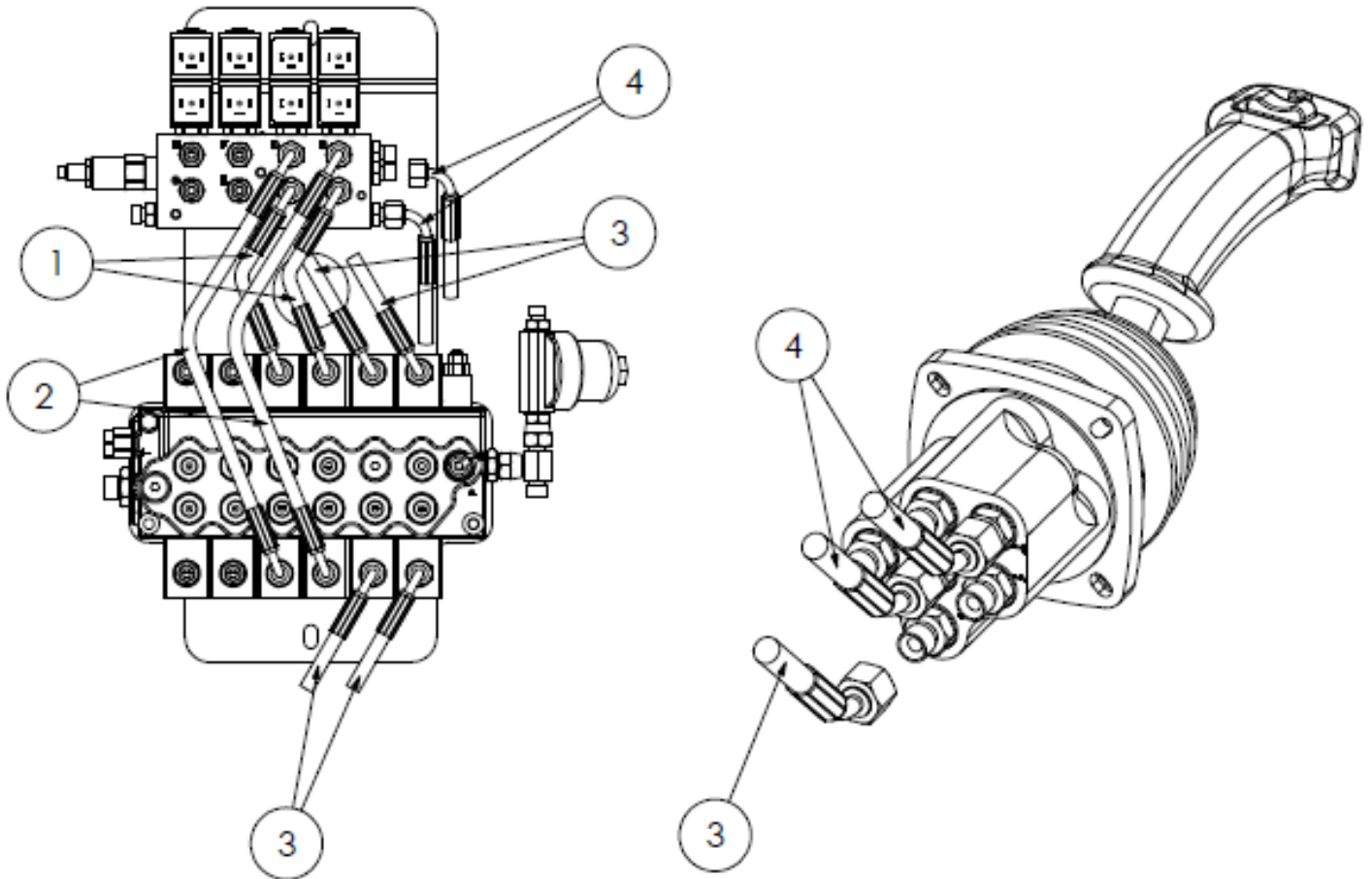
Spearhead TWIGA 500

500 ARM HOSE KIT - S180014.83
500FR ARM HOSE KIT - S180014.84

REF NO.	PART NO.	500	500FR	DESCRIPTION
	3751512	1	-	500 ARM HOSE KIT
	3751513	-	1	500FR ARM HOSE KIT
1	3751512.01	2	2	HOSE: 1/4" - 2200mm
2	3751512.02	2	-	HOSE: 1/4" - 4550mm
2	3751513.04	-	2	HOSE: 1/4" - 4950mm
3	3751512.03	1	-	HOSE: 1" - 4400mm
3	3751513.04	-	1	HOSE: 1" - 4800mm
4	3751512.04	1		HOSE:1" - 4450mm
4	3751513.02	-	1	HOSE: 1" - 4850mm
5	3751512.05	1	-	HOSE: 3/8" - 5200mm
5	3751513.05	-	1	HOSE: 1/2" - 5600mm
6	43542.04	1	1	HOSE SLEEVE: 1300mm LRG
7	43542.19	1	1	HOSE SLEEVE: 1800mm LRG
8	43543.08	1	1	HOSE SLEEVE: 1800mm SM
9	43543.12	1	1	HOSE SLEEVE: 400mm SM
10	06.023.01	10	10	CABLE TIE - LRG
11	30.058.66	6	6	CABLE TIE - SM
12	8770780	1	1	ARM LOOM

Spearhead TWIGA 500

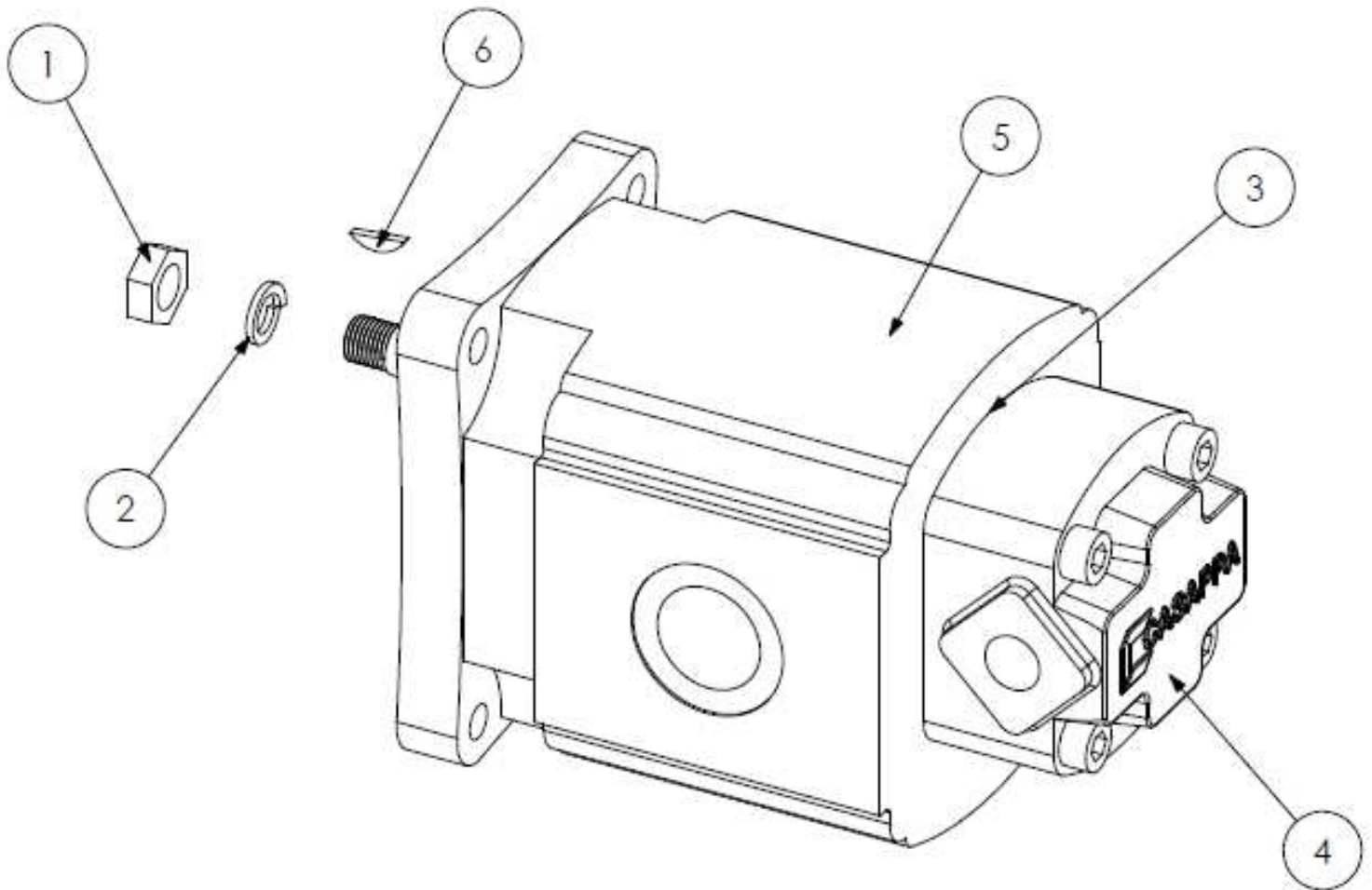
JOYSTICK HOSE KIT - 3750561



REF NO.	PART NO.	QTY.	DESCRIPTION
	3750561		HOSE KIT
1	3760456	2	HOSE: 1/4" - 210mm
2	3760457	2	HOSE: 1/4" - 410mm
3	3760517	4	HOSE: 1/4" - 3900mm
4	3760518	2	HOSE: 1/4" - 4000mm

Spearhead TWIGA 500

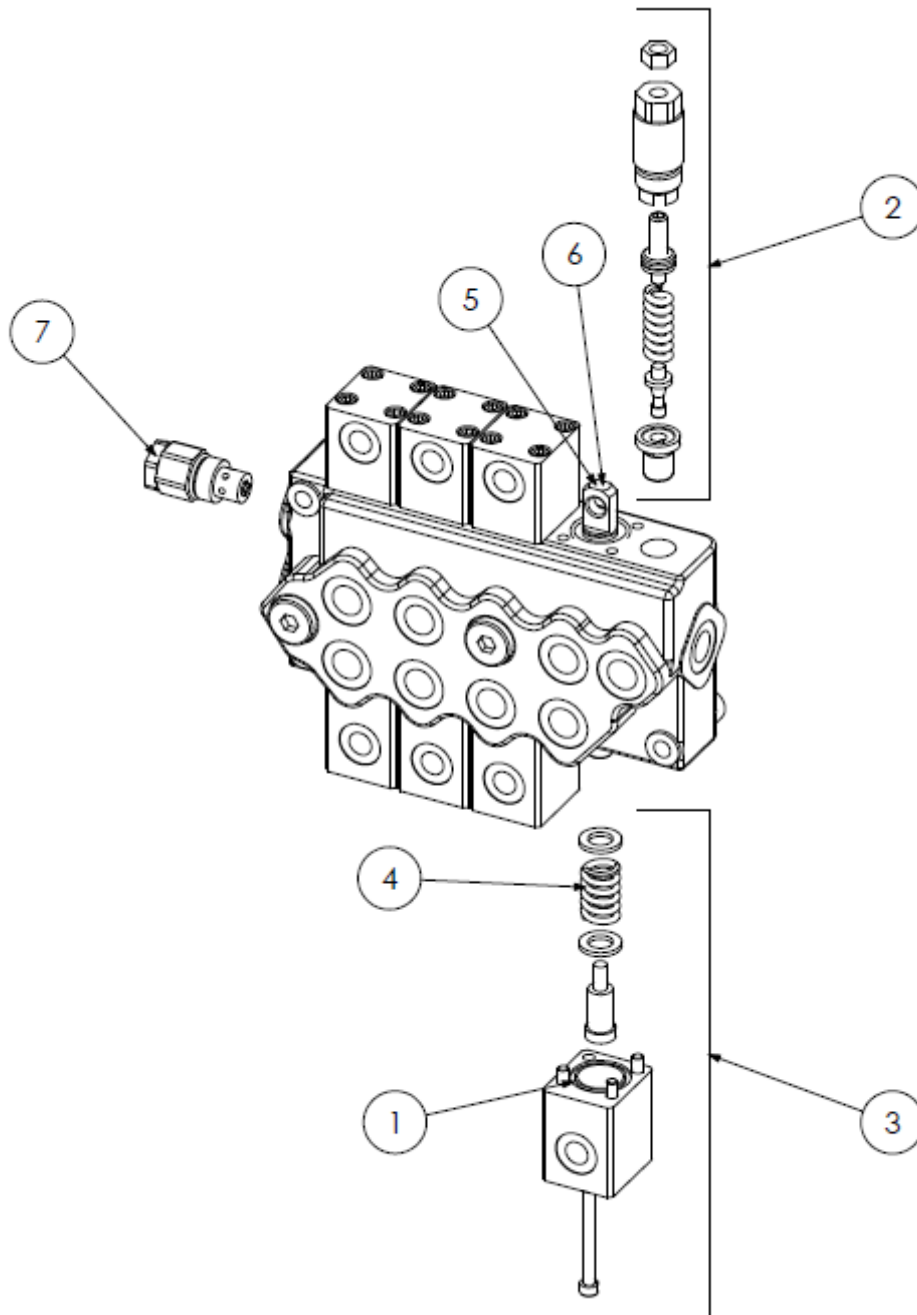
3151033A - TANDEM PUMP



REF NO.	PART NO.	QTY.	DESCRIPTION
	3151033A	-	PUMP ASSEMBLY
1	2770350	1	NUT
2	2770457	1	WASHER
3	3151021K	1	SEAL KIT
4	3151043	1	SERVICE PUMP
5	3500002	1	SHAFT SEAL
6	4772226	1	KEY

Spearhead TWIGA 500

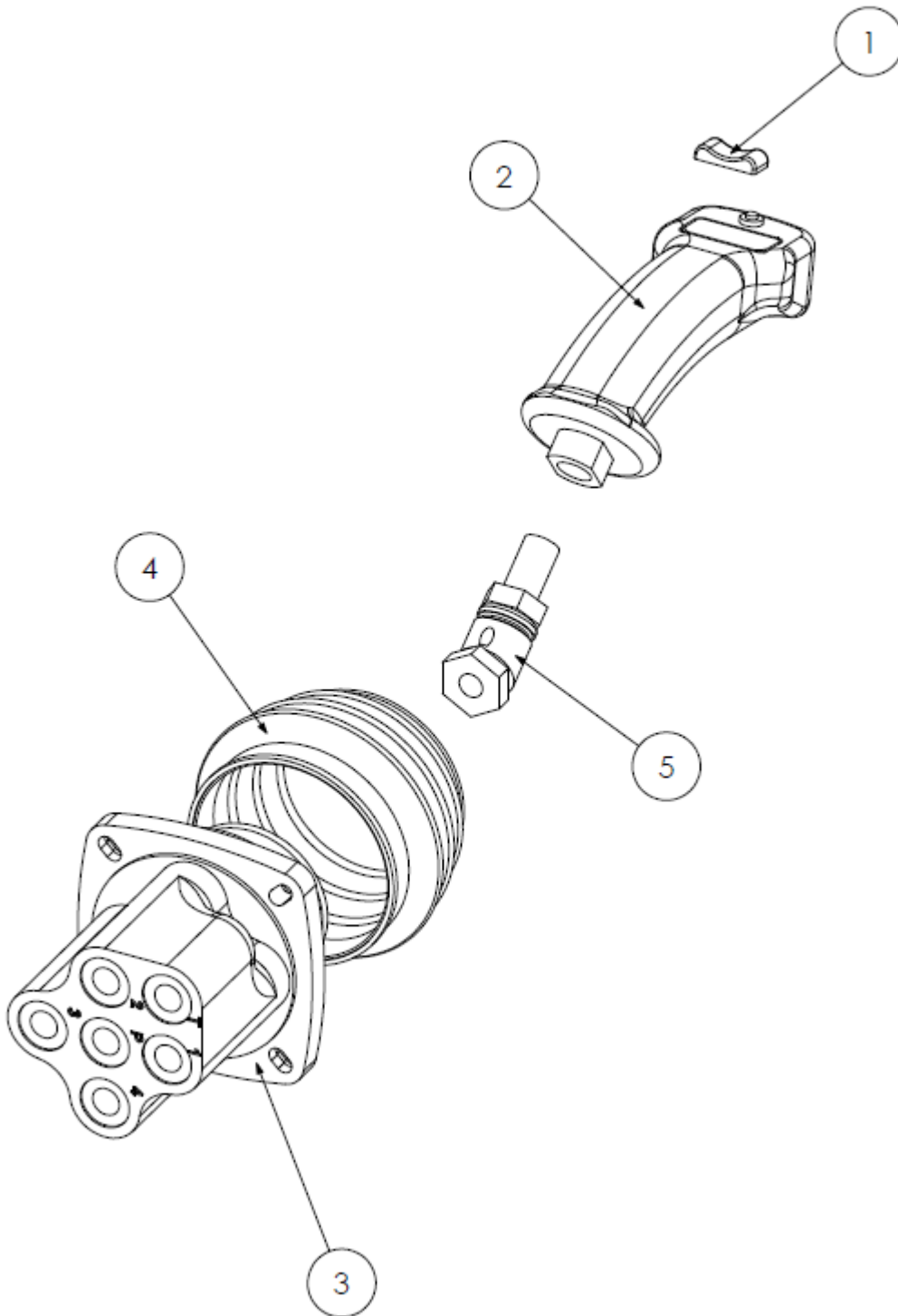
3910295 - 4 BANK CONTROL VALVE



REF NO.	PART NO.	QTY.	DESCRIPTION
	3910295	1	4 BANK VALVE ASSEMBLY
1	3261005	8	O RING
2	3600093	1	RELIEF VALVE
3	3610003	8	HYDRAULIC PROP. KIT
4	3610003S	8	SPRING
5	3610096	3	DOUBLE ACTING SPOOL
6	3610098	1	SINGLE ACTING SPOOL
7	5770300	1	CARTRIDGE

Spearhead TWIGA 500

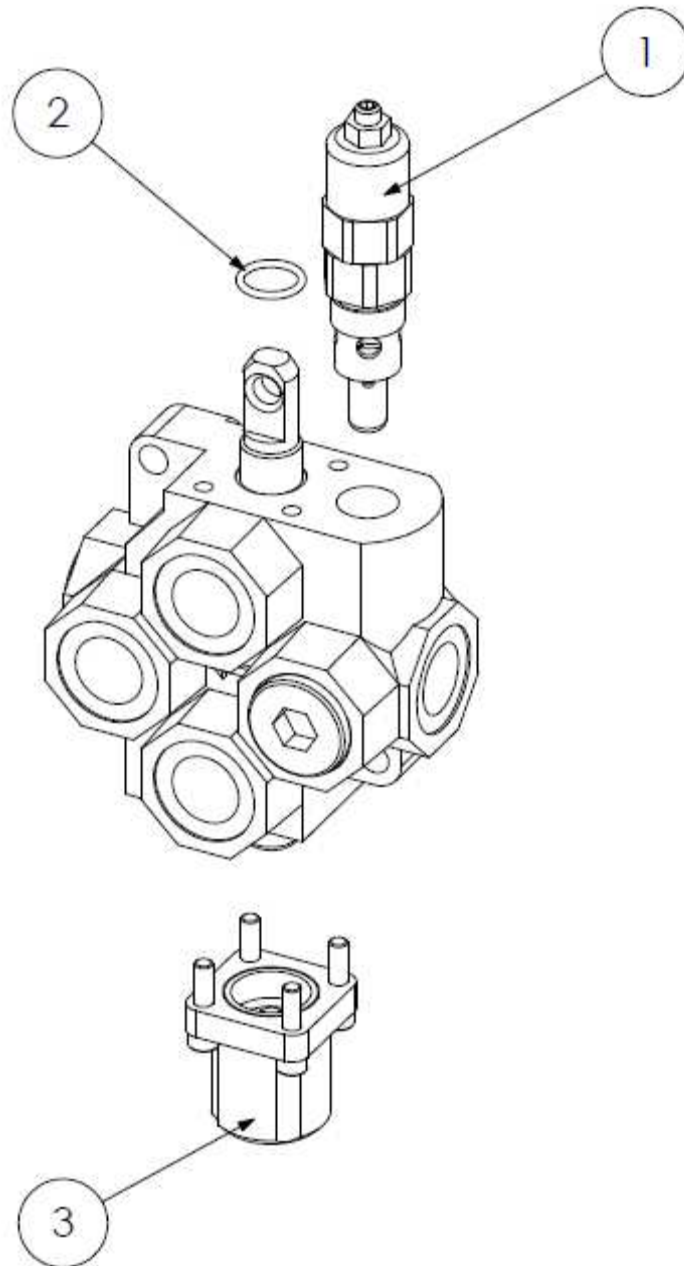
3910228A - JOYSTICK



REF NO.	PART NO.	QTY.	DESCRIPTION
	3910228A	-	JOYSTICK ASSEMBLY
1	3910303	1	HEAD ANGLE SWITCH
2	3910225	1	HANDLE ASSEMBLY
3	3910226	1	BASE
4	3910270	1	GAITER
5	3910271	1	MOUNTING STUD

Spearhead TWIGA 500

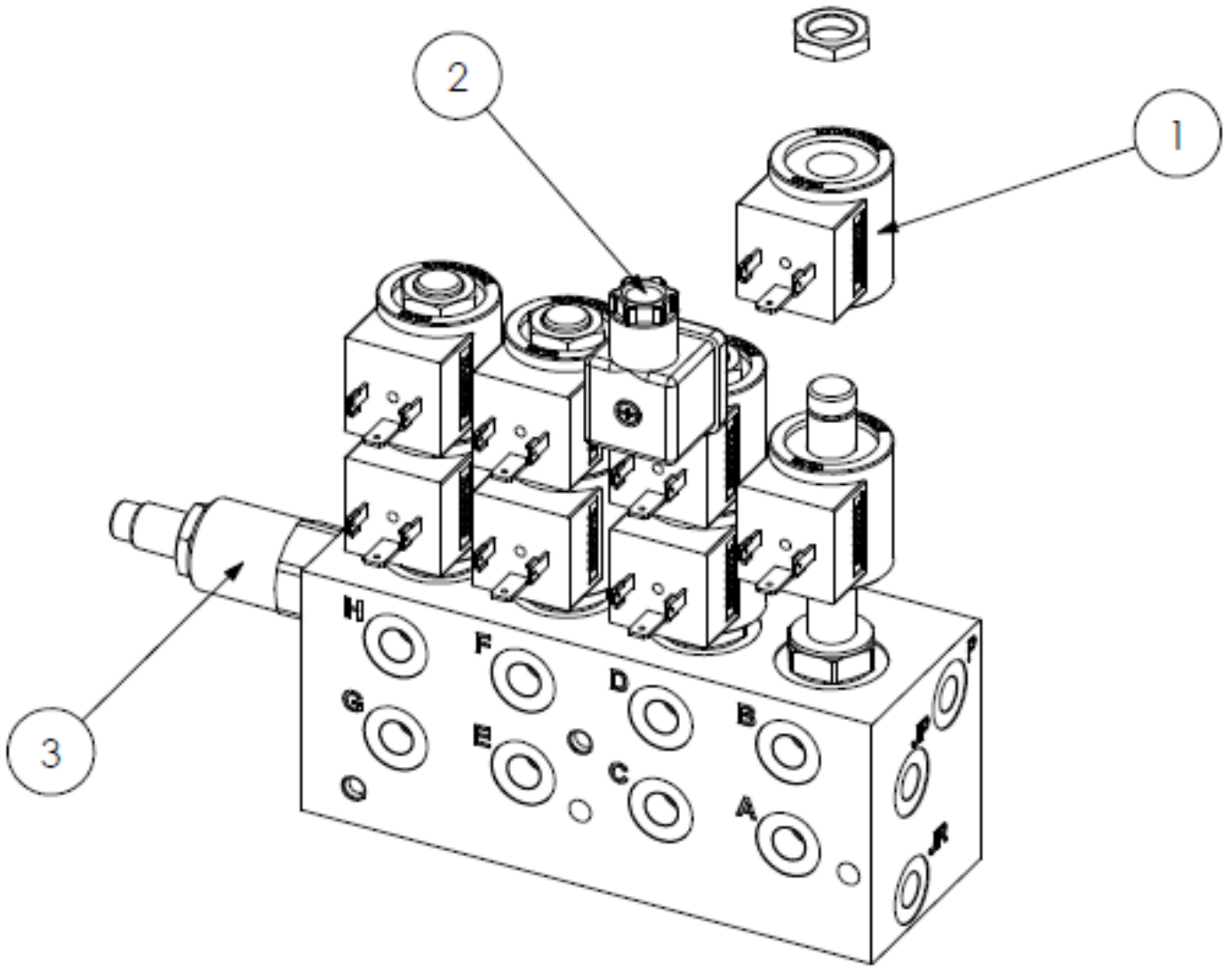
48033.02 - CABLE ROTOR VALVE



REF NO.	PART NO.	QTY.	DESCRIPTION
	48033.02	-	VALVE ASSEMBLY
1	3600080	1	VALVE CARTRIDGE
2	3600101S	1	O RING
3	3610081A	1	SPOOL DETENT KIT

Spearhead TWIGA 500

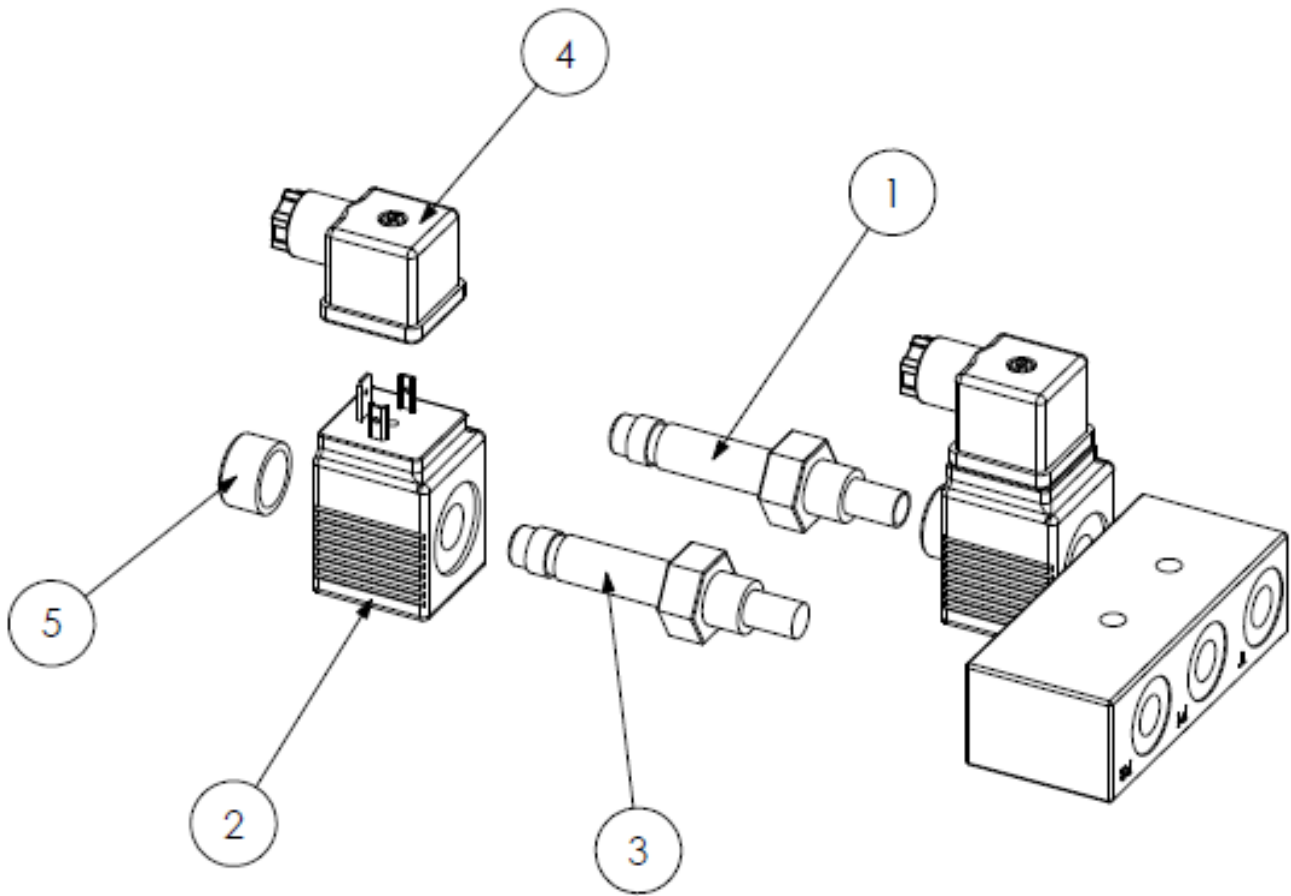
3610102 - 2 BANK PILOT VALVE



REF NO.	PART NO.	QTY.	DESCRIPTION
	3610102	1	2 BANK VALVE ASSEMBLY
1	22677.36	4	COIL
2	3610048	4	CONNECTOR
3	3610102.02	1	PRESSURE RELIEF CARTRIDGE

Spearhead TWIGA 500

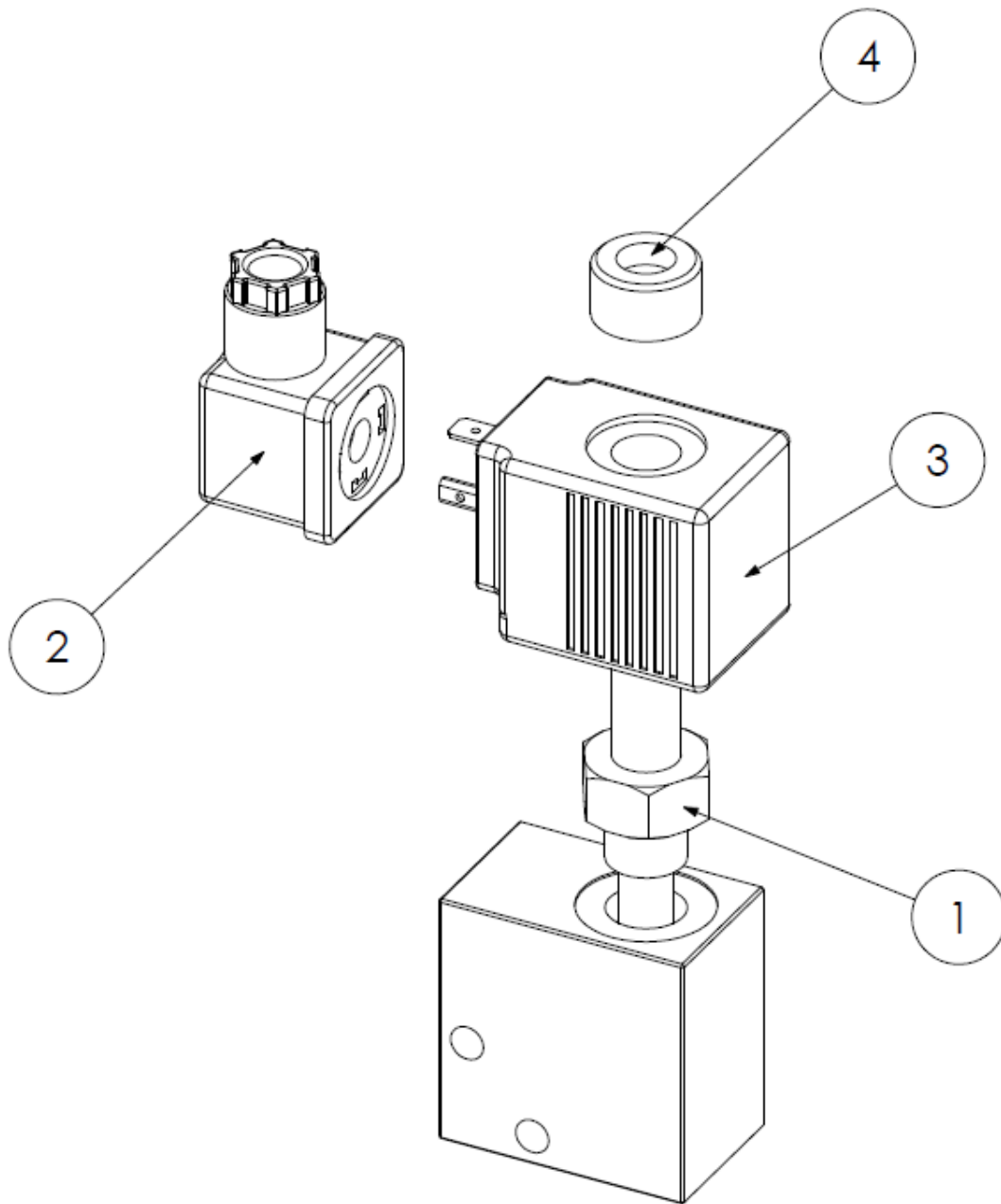
3600132 - HEAD FLOAT VALVE



REF NO.	PART NO.	QTY.	DESCRIPTION
	3600132	-	VALVE ASSEMBLY
1	3600142	1	CARTRIDGE
2	3610030A	2	COIL
3	3610032A	1	SOLENOID
4	3610048	2	CONNECTOR
5	N/A	2	NUT

Spearhead TWIGA 500

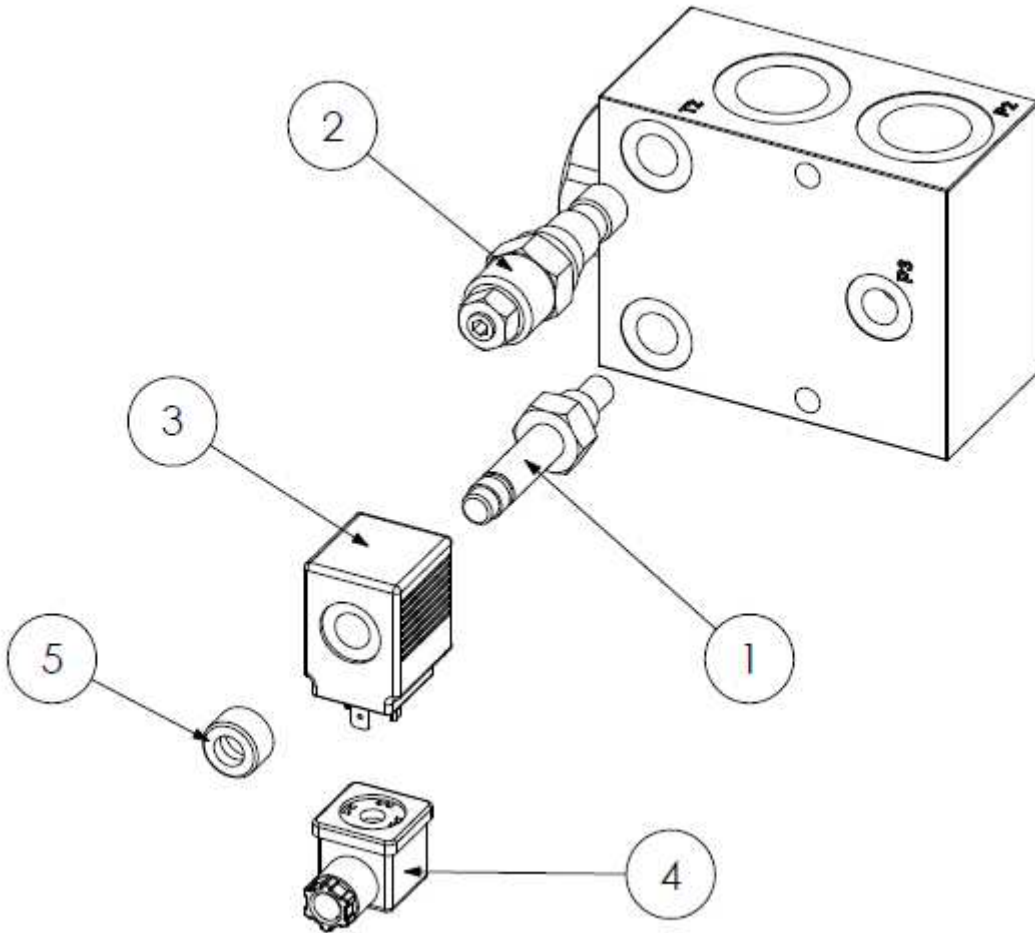
3610053 - ARM FLOAT VALVE



REF NO.	PART NO.	QTY.	DESCRIPTION
	3610053	-	VALVE ASSEMBLY
1	3610036	1	SOLENOID
2	3610048	1	CONNECTOR
3	3610052	1	COIL
4	N/A	1	NUT

Spearhead TWIGA 500

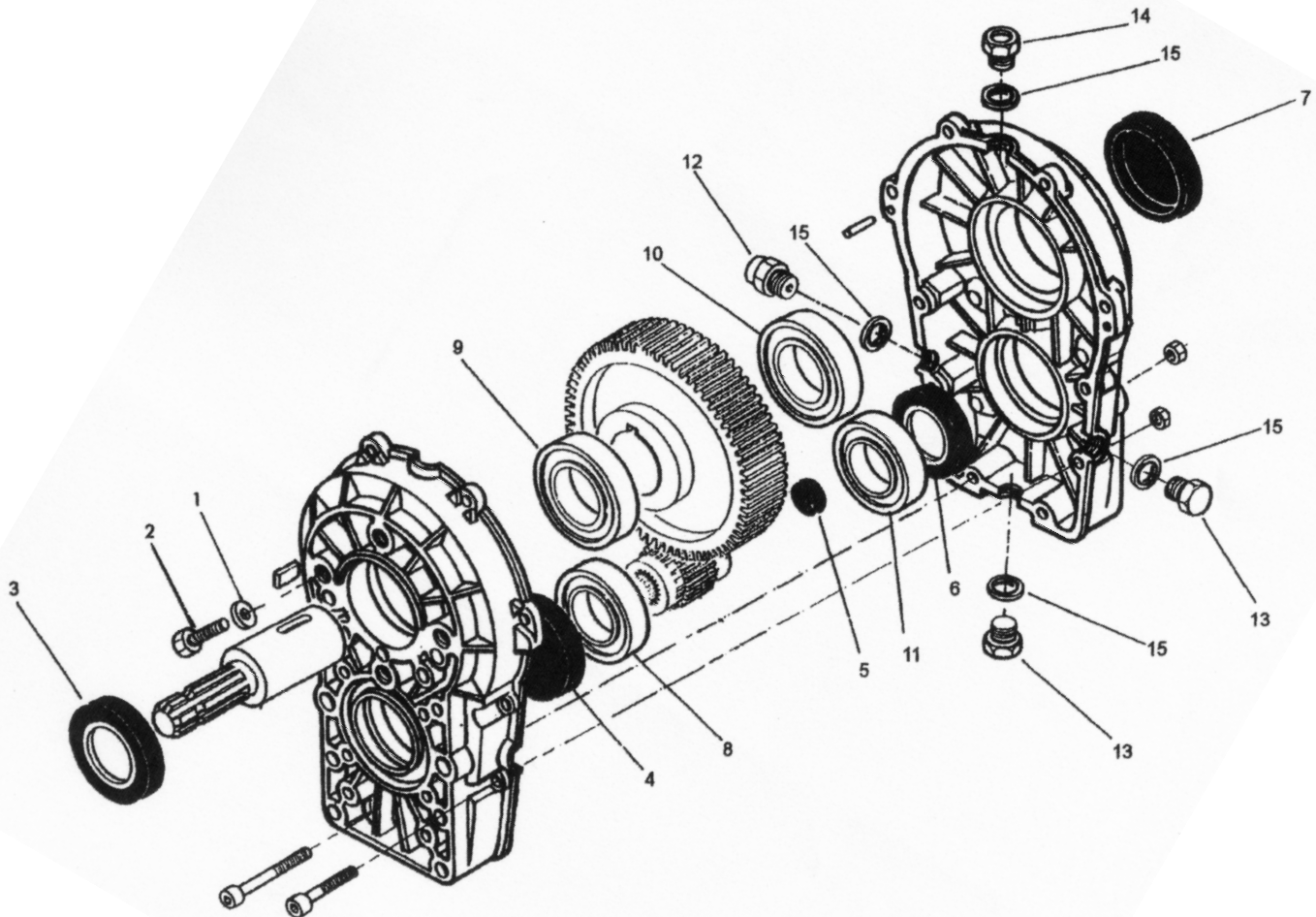
3600099A - ELECTRIC ROTOR VALVE



REF NO.	PART NO.	QTY.	DESCRIPTION
	3600099A	-	VALVE ASSEMBLY
1	3600142B	1	SINGLE POPPET VALVE
2	3600144A	1	RELIEF VALVE
3	3610052	1	COIL
4	3610048	1	CONNECTOR
5	N/A	1	NUT

Spearhead TWIGA 500

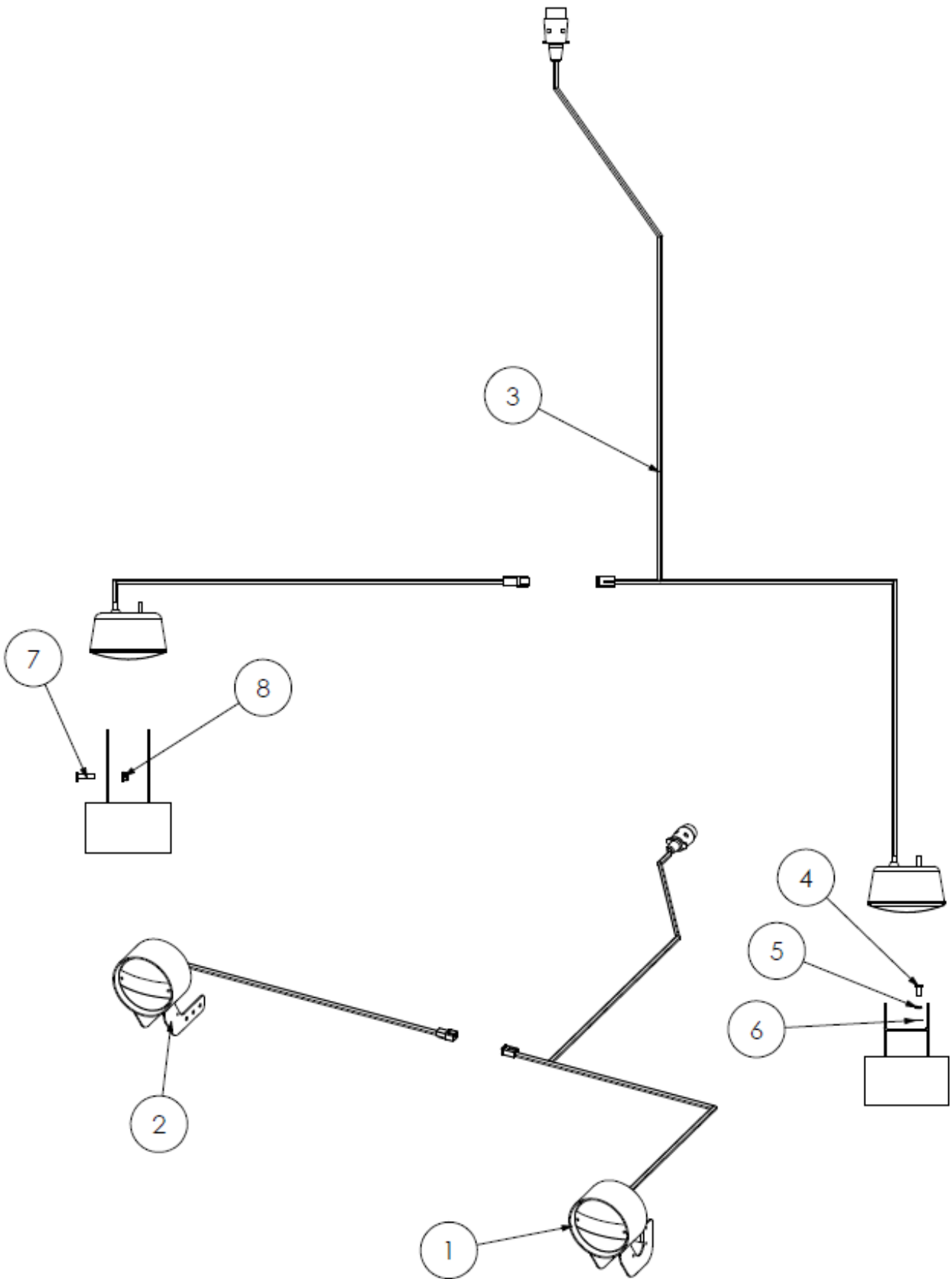
3610026 - GEARBOX



REF NO.	PART NO.	QTY.	DESCRIPTION
	3610026	-	GEARBOX ASSEMBLY
1	2770436	10	M12 FLAT WASHER
2	2770535	10	M12 X 35 BOLT
3	5771620	1	OIL SEAL
4	5771624	1	OIL SEAL
5	5771622	1	OIL SEAL
6	5771623	1	OIL SEAL
7	5771624	1	OIL SEAL
12	5771607	1	BREATHER
13	5771608	2	PLUG
14	5771610	1	GAUGE
15	5771609	4	WASHER

Spearhead TWIGA 500

LIGHT LOOM - S180014.78



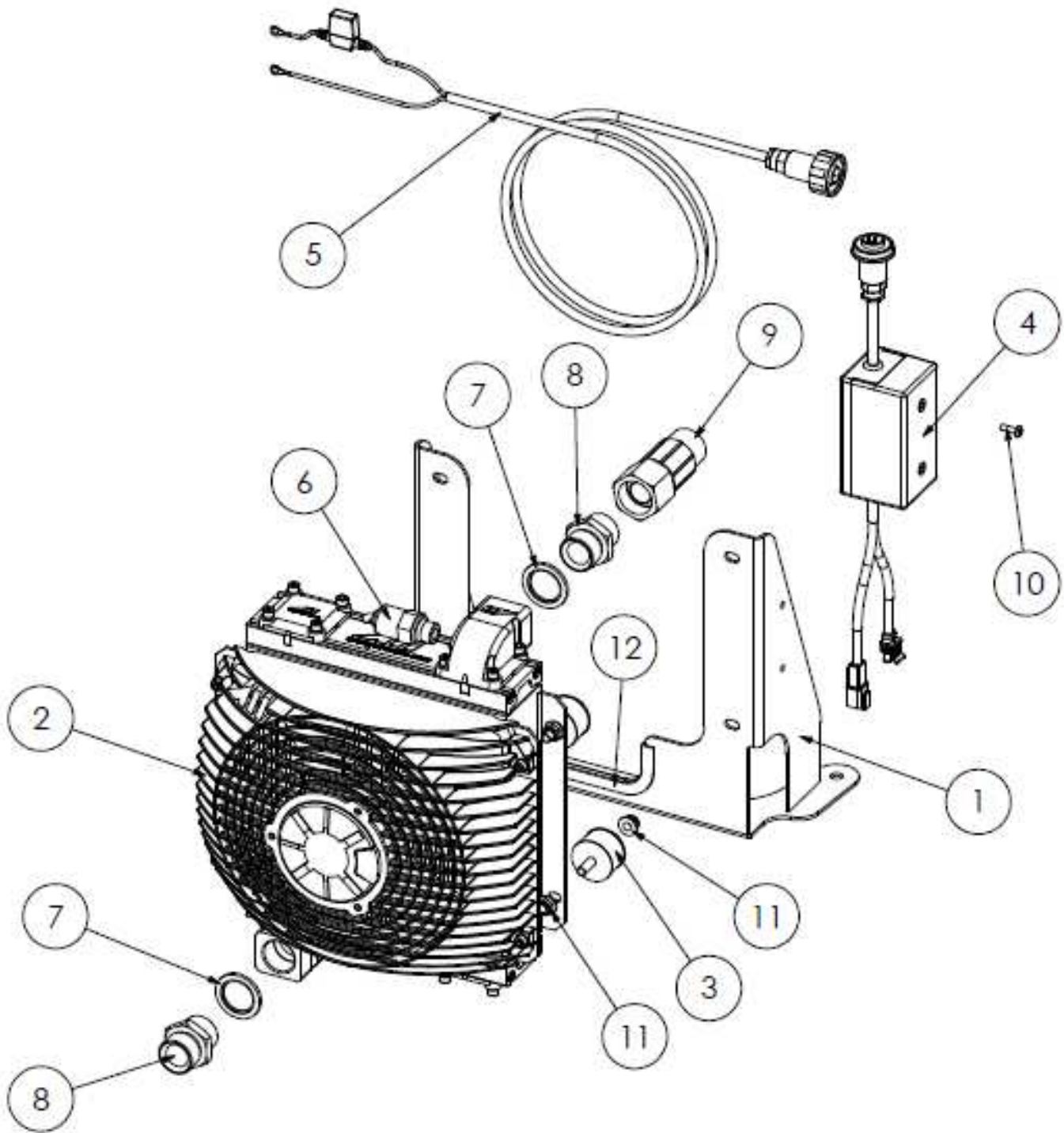
Spearhead TWIGA 500

LIGHT LOOM - S180014.78

REF NO.	PART NO.	QTY.	DESCRIPTION
1	181414	1	TANK BRACKET
2	181415	1	A FRAME BRACKET
3	8770842	1	LIGHT LOOM
4	05.839.03	2	M8 X 16 BOLT
5	2770433	2	M8 SPRING WASHER
6	2770432	2	M8 FLAT WASHER
7	05.291.01	3	M8 X 30 BOLT
8	05.287.20	3	M8 NYLOCK NUT
9	30.058.66	6	CABLE TIE - SM

Spearhead TWIGA 500

OIL COOLER - S180014.95



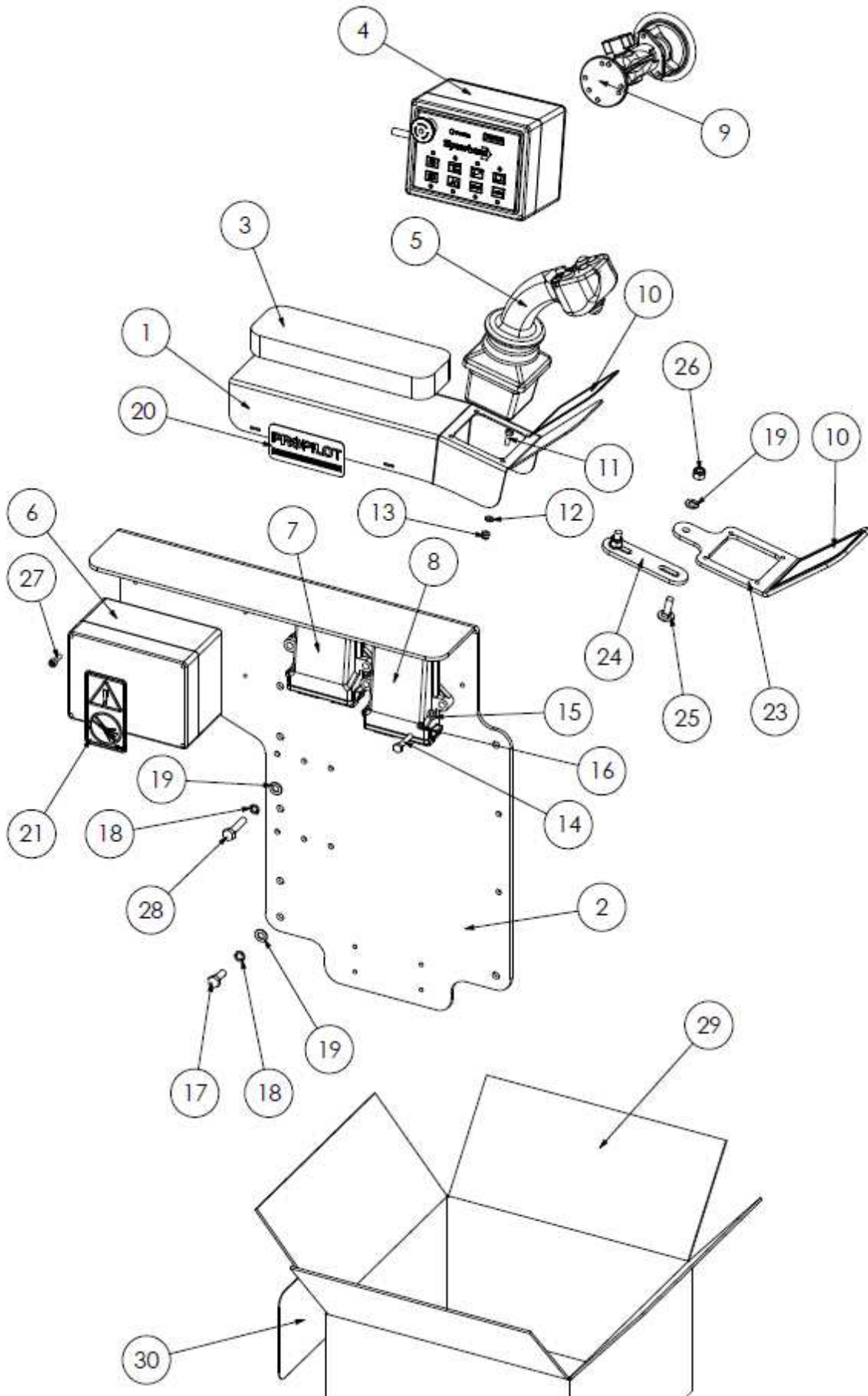
Spearhead TWIGA 500

OIL COOLER - S180014.95

REF NO.	PART NO.	QTY.	DESCRIPTION
1	181398	1	MOUNT BRACKET
2	3151068	1	OIL COOLER
3	8770603	4	RUBBER MOUNT
4	8770711	1	CONTROL BOX
5	8770713	1	POWER LEAD
6	47313.03	1	THERMOSTAT
7	3260074	2	1" BONDED SEAL
8	3360092	2	1" M-M ADAPTOR
9	3760104	1	HOSE: 1" - 600mm
10	2770580	2	M5 X 16 SCREW
11	05.287.20	8	M8 NYLOCK
12	03.231.01	185	EDGING STRIP
13	30.058.66	6	CABLE TIE - SM

Spearhead TWIGA 500

LH ELECTRIC PROPORTIONAL CONTROLS - S180014.93
RH ELECTRIC PROPORTIONAL CONTROLS - S180014.94



Spearhead TWIGA 500

LH ELECTRIC PROPORTIONAL CONTROLS - S180014.93
RH ELECTRIC PROPORTIONAL CONTROLS - S180014.94

REF NO.	PART NO.	QTY. LH	QTY. RH	DESCRIPTION
1	180729	1	-	JOYSTICK ARM REST
2	180337	1	-	LH VALVE MOUNT BRACKET
2	180338	-	1	RH VALVE MOUNT BRACKET
3	22073.45	1	-	FOAM PAD
4	8770702	1	1	SWITCH BOX
5	8770737	1	1	ELECTRIC PROP JOYSTICK
6	8770772	1	1	CONTROL LOOM
7	8770746	1	1	CONTROL BOX 1
8	8770773	1	1	CONTROL BOX 2
9	22073.09	1	1	SUCTION PAD
10	8770435	1	-	LH DECAL
10	8770437	-	1	RH DECAL
11	9300133	4	4	M4 X 25 SCREW
12	30.074.95	4	4	M4 FLAT WASHER
13	05.948.33	4	4	M4 NYLOCK NUT
14	30.068.84	4	4	M6 X 25 BOLT
15	2771408	4	4	M6 FLAT WASHER
16	05.282.07	4	4	M6 SPRING WASHER
17	2770402	4	4	M8 X 20 BOLT
18	2770433	8	8	M8 SPRING WASHER
19	2770432	8	10	M8 FLAT WASHER
20	8770453	2	-	PRO PILOT DECAL
21	8770454	1	1	DON'T WASH DECAL
22	30.058.66	10	10	CABLE TIE - SM
23	180228	-	1	JOYSTICK MOUNT BRACKET
24	180229	-	1	JOYSTICK MOUNT ARM
25	9293054	-	2	M8 X 25 COACH BOLT
26	2770416	-	2	M8 NYLOCK
27	9343032	4	4	M5 X 16 SKT CAP SCREW
28	2770488	4	4	M8 X 35 BOLT
29	8402701	1	1	PACKING BOX
30	1290717	1	1	DECAL

Spearhead Machinery Ltd
Green View
Salford Priors
Evesham
Worcestershire
WR11 8SW
Tel: 01789 491860
Fax: 01789 778683
www.spearheadmachinery.com
enquiries@spearheadmachinery.com