
Roberine



Parts Catalog

F5 & R5

Using this Manual

Before using this manual it is important to identify the model mower you are locating parts for.

Many parts are used across all models, yet some are specific to certain models.

The model of mower is located on the serial plate on the machine.

This manual covers the mowers Roberine F5 and R5.

Always check serial number on the machine before ordering parts.

CAUTION

The Warranty policy does not cover damages caused by the use of non-Roberine parts.

Always use Roberine parts.

Installation of parts and accessories not originally intended could result in less than optimal performance and/or injury.

Contact your local Roberine distributor or dealer for ordering parts.

Information contained in this publication is subject to change at any time without prior notice.

Your product's appearance may vary from the diagrams contained in this catalog.

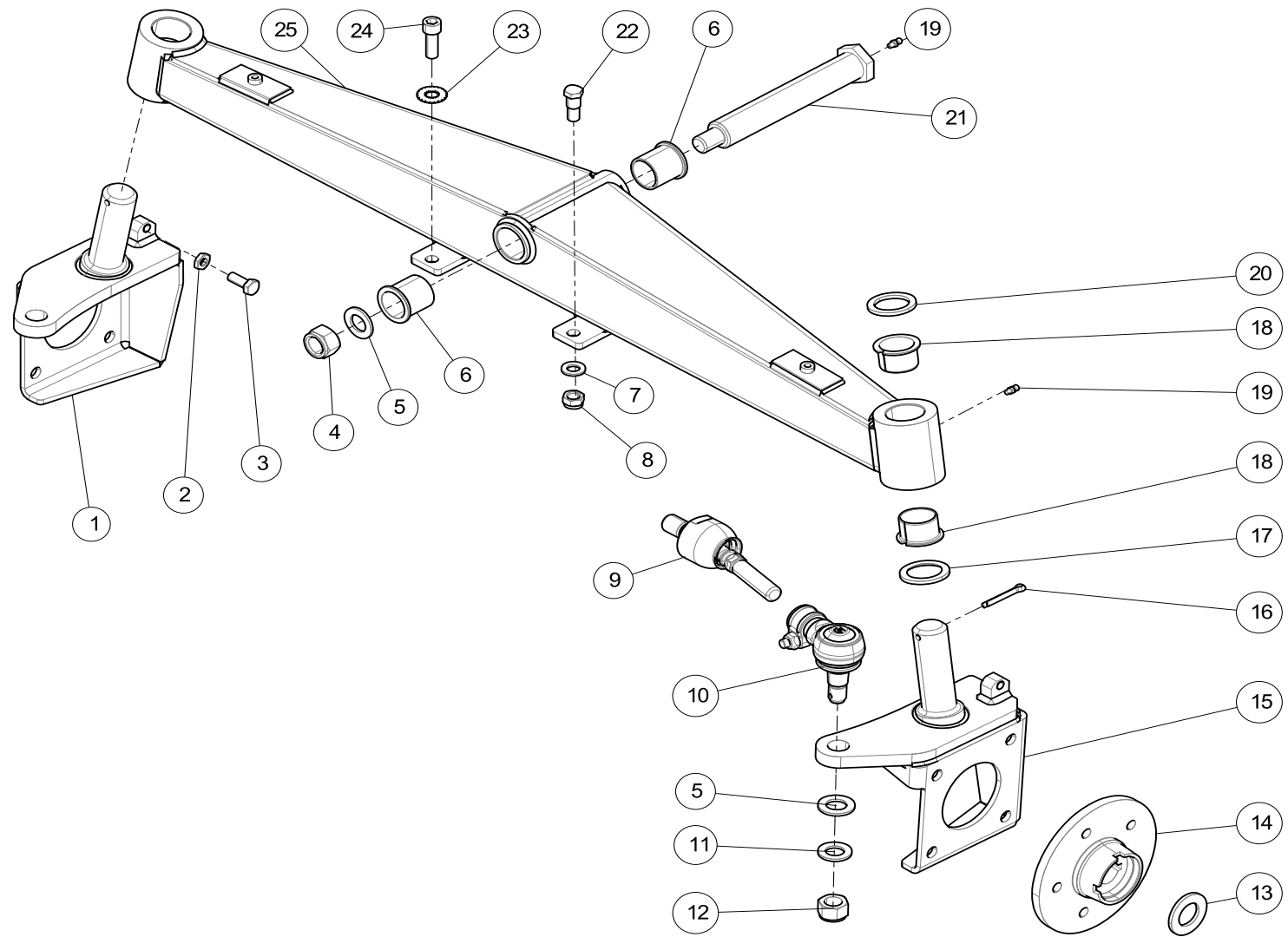
Information may be enhanced without prior notice.

INDEX

SWING AXLE PENDELACHSE PENDELAS	5
ENGINE MOTOR MOTOR	7
COOLINGSYSTEM KÜHLSYSTEM KOELSYSTEEM	11
FUEL SUPPLY KRAFSTOFFVERSORGUNG BRANDSTOFTOEVOER	15
EXHAUST AND AIR FILTER AUSPUFF UND LUFTFILTER UITLAAT EN LUCHTFITLER	19
LIFT ARMS HUBARM DRAAGARMEN	21
FRAME RAHMEN FRAME	29
STEERING COLOMN LENKSAULE STUURKOLOM	33
BODY KAROSSERIE CARROSSERIE	35
DECALS, TOOL KIT AUFKLEBER, WERKZEUGSATZ STICKERS, GEREEDSCHAPSET	45
ELECTRICAL COMPONENTS ELECTRO TEILE ELEKTRISCHE COMPONENTEN	47
ENGINE ELECTRICAL MOTOR ELECTRO MOTOR ELECTRISCH	51
DRIVING ELECTRICAL FAHREN ELECTRO RIJDEN ELECTRISCH	53
MOWING ELECTRICAL MÄHEN ELECTRO MAAIEN ELECTRISCH	57
HYDRALICS HYDRAULIK HYDRAULIEK	59
DRIVING HYDRAULICS FAHRHYDRAULIK RIJHYDRAULIEK	63
LIFTING HYDRAULICS HUBHYDRAULIK HEFHYDRAULIEK	75
MOWING HYDRAULICS MAEHHYDRAULIK MAAIHYDRAULIEK	79
STEERING HYDRAULICS LENKHYDRAULIK STUURHYDRAULIEK	87
DRAIN LINES ABLASSLEITUNGEN LEKLEIDINGEN	89
SUCTION HYDRAULICS SAUGHYDRAULIK AANZUIGHYDRAULIEK	93
TOW, BRAKE HYDRAULICS SCHLEPPEN, BREMSSEN HYDRAULIK AFSLEPEN, REMMEN HYDRAULIEK	97
WHEEL AND TIRE REIFEN UND FELGE WIEL EN BAND	103
CABIN KABINE KABINE	105
ROPS ROPS ROPS	129
FLAIL UNITS SCHLEGELUNITS KLEPELUNITS	131
DEFLECTOR GUIDE FRONT ABWEISFUEHRUNG VORNE UITWORPGELEIDING VOORZIJD	139
CYLINDER UNITS 10" SPINDELUNITS 10" KOOIUNITS 10"	141

REVERSIBLE FAN REVERSIERBARE LUEFTER OMKEERBARE VENTILATOR	153
LIGHTING AND BUMPER BELEUCHTUNG UND STOSSSTANGE VERLICHTING EN BUMPER	157
COVERS ABDECKPLAN BESCHERMHOEZEN	161
WARNING BEACON RUNDUMLEUCHT ZWAAILAMP	165
WARNING TRIANGLE WARNDREIECK GEVARENDRIEHOEK	167
CANOPY SCHUTDACH ZONNEKAP	169
MIRROR SPIEGEL SPIEGEL	171
DEFLECTOR KIT ABWEISER SATZ UITWORPBEVEILIGINGSSET	173

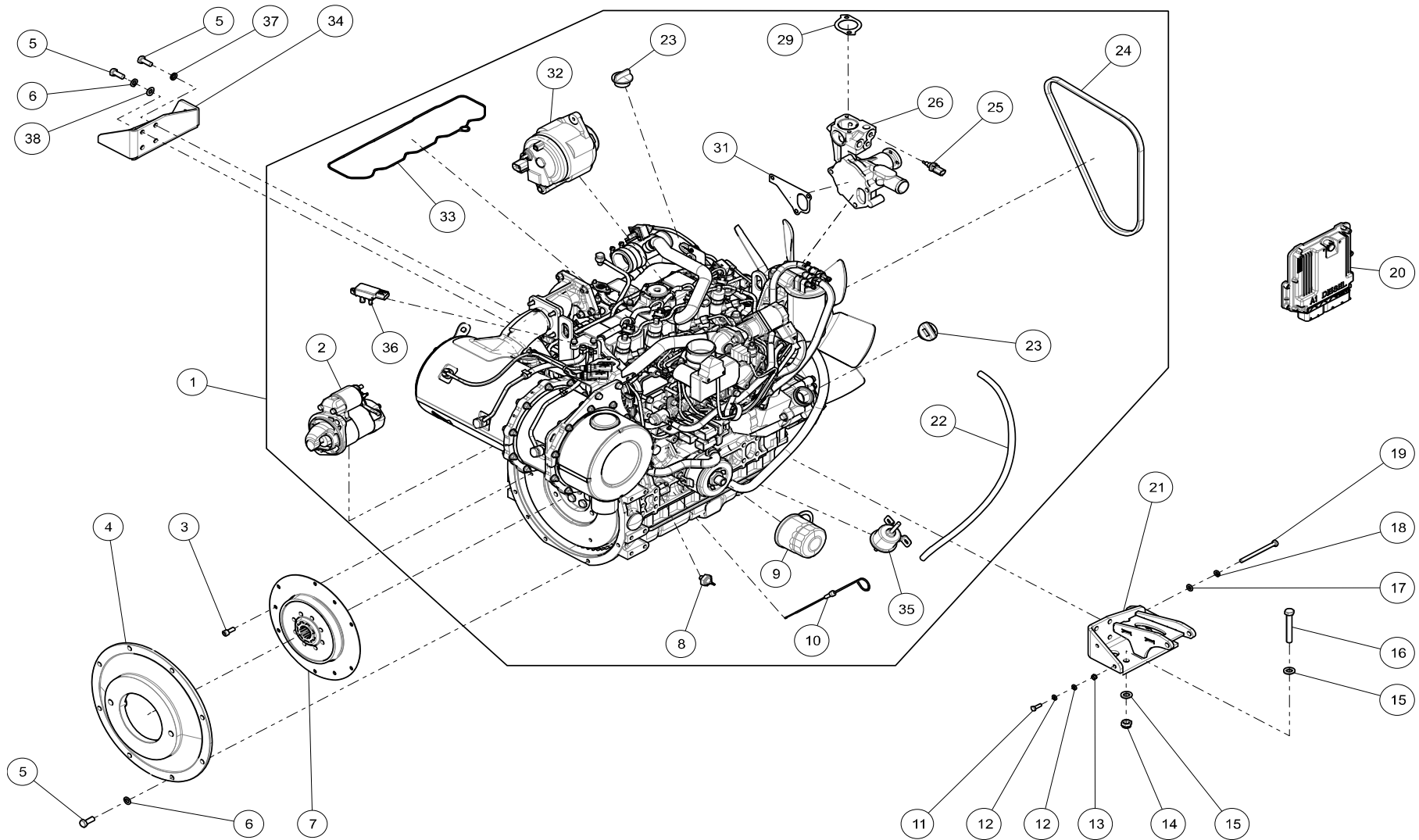
SWING AXLE | PENDELACHSE | PENDELAS
50721-100
F5/R5



SWING AXLE | PENDELACHSE | PENDELAS
50721-100
F5/R5

KEY	PART NO.	QTY	SERIAL NO.	DESCRIPTION	BESCHREIBUNG	OMSCHRIJVING
1	50721-202	1		KINGPIN RIGHT,F5	ACHSSCHENKELBOLZEN RECHTS,F5	FUSEE RECHTS,F5
2	110364	2		NUT,FLAT,DIN439,M10-06-ZN	MUTTER,NIEDRIG,DIN439,M10-06-ZN	MOER,LAAG,DIN439,M10-06-ZN
3	110070	2		SCREW,HEX	SKT.SCHRAUBE	ZESK.TAPBOUT
4	110363	1		LOCKNUT,DIN985,M20X2-8-ZN	SICHERUNGSMUTTER,DIN985,M20X2-8-ZN	ZESK.BORGMOER,DIN985,M20X2-8-ZN
5	110080	3		WASHER	UNTERLEGSCHIEBE	SLUITRING
6	704004	2		BUSHING,M3	BUECHSE,M3	LAGERBUS,M3
7	110230	2		WASHER DIN125A,M12-ZN	UNTERLEGSCHIEBE DIN125A,M12-ZN	SLUITRING DIN125A,M12-ZN
8	101854	2		LOCK NUT M12	MUTTER SELBSTS.VERZ M12	DIN 985 ZELFBORGENDE MOER M12
9	110369	2		BALL JOINT AXIAL,F5	KUGELGELENK AXIAL,F5	KOGELGEWRICHT AXIAAL,F5
9.1	110370	1		AFDICHRUBBER STUURKOGEL	DICHTUNGSMANSCHETTE	DICHTINGSMANCHET
10	110367	2		BALL JOINT RADIAL,M3	KUGELGELENK RADIAL,M3	KOGELGEWRICHT RADIAAL,M3
10.1	110368	1		SEALING BELLOW	DICHTUNGSBALG	DICHTINGSBALG
11	110365	2		WASHER DIN125A,M18-ZN	UNTERLEGSCHIEBE DIN125A,M18-ZN	SLUITRING DIN125A,M18-ZN
12	110362	2		LOCKNUT,DIN985,M18X1.5-8-ZN	SICHERUNGSMUTTER,DIN985,M18X1.5-8-ZN	ZESK.BORGMOER,DIN985,M18X1.5-8-ZN
13	111071	2		WASHER DIN125B,M27-ZN	UNTERLEGSCHIEBE DIN125B,M27-ZN	SLUITRING DIN125B,M27-ZN
14	704006	2		FLANGE	FLANSCH	FLENS
15	50721-201	1		KINGPIN LEFT,F5	ACHSSCHENKELBOLZEN LINKS,F5	FUSEE LINKS,F5
16	110366	2		SPLIT PIN,DIN94-6.3X40 ZN	SPLINTE,DIN94-6.3X40 ZN	SPLITPEN,DIN94-6.3X40 ZN
17	704007	2		FRICTION RING BRONZE	GLEITLAGER BRONZE	GLIJRING BRONS
18	110371	4		BUSHING	BUECHSE	LAGERBUS, FMB3526DU
19	110233	3		GREASE ZERK,DIN71412,M6X1-H1-180DEGREE	SCHMIERNIPPEL,DIN71412,M6X1-H1-180GRAD	SMEERNIPPEL,DIN71412,M6X1-H1-180GRADEN
20	704008	2		WASHER SPECIAL	UNTERLEGSCHIEBE SPEZIAL	SLUITRING FUSEE SPECIAAL
21	704003	1		REAR AXLE BOLT,M3	HINTERACHSEBOLZEN,M3	PENDELASBOUT,M3
22	704005	1		BOLT,SPECIAL	BOLZEN,SPECIAL	BOUT,SPECIAL
23	111213	2		LOCK WASHER SERRATED M12 TYPEDD	ZAHNSCHIEBE M12 TYPEDD	TANDVEERRING M12 TYPEDD
24	110361	2		SCREW,SOC,DIN912,M12X35-10.9-ZN	ZYL.SCHRAUBE,ISK,DIN912,M12X35-10.9-ZN	CIL.BOUT,BZK,DIN912,M12X35-10.9-ZN
25	50721-200	1		REAR AXLE,F5	HINTERACHSE,F5	PENDELAS,F5

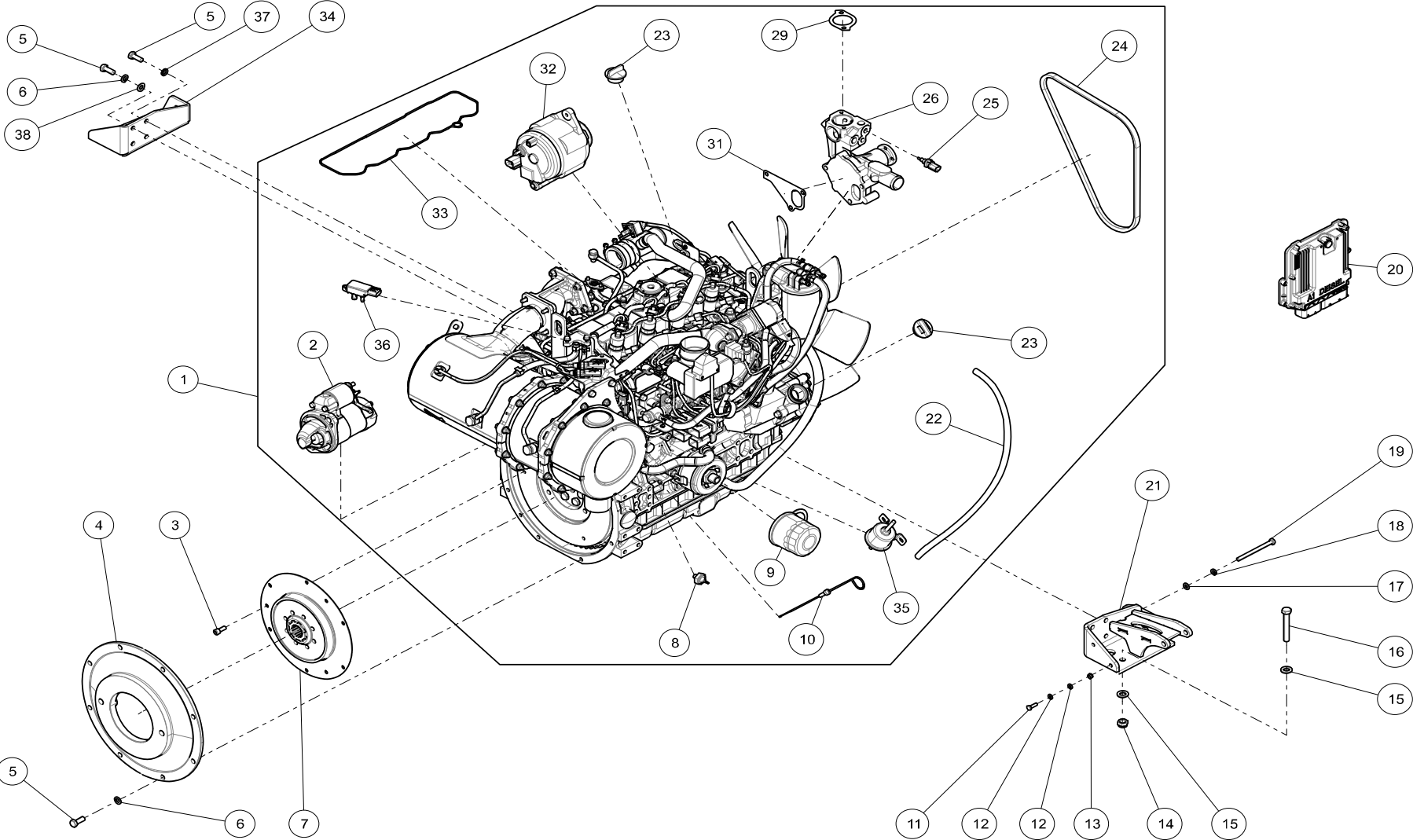
ENGINE | MOTOR | MOTOR
50705-100
F5/R5



ENGINE | MOTOR | MOTOR
50705-100
F5/R5

KEY	PART NO.	QTY	SERIAL NO.	DESCRIPTION	BESCHREIBUNG	OMSCHRIJVING
1	110377	1		ENGINE YANMAR 4TNV86CHT	MOTOR YANMAR 4TNV86CHT	MOTOR YANMAR 4TNV86CHT
2	100023	1		YANMAR STARTER 3TNV88	YANMAR STARTER 3TNV88	YANMAR STARTMOTOR 3TNV88
3	110192	3		SCREW,HEX,DIN933,M8X20-8.8-ZN	SKT.SCHRAUBE,DIN933,M8X20-8.8-ZN	ZESK.TAPBOUW,DIN933,M8X20-8.8-ZN
4	110387	1		FLANGE,PUMP MOUNT,FR5	FLANSCH,FR5	FLENS,FR5
5	110070	16		SCREW,HEX	SKT.SCHRAUBE	ZESK.TAPBOUW
6	110198	9		WASHER,SPRING,DIN128,M10-ZN	FEDERRING,DIN128,M10-ZN	VEERRING,DIN128,M10-ZN
7	110386	1		CLUTCH,MONOLASTIC 50,FR5	KUPPLUNG,MONOLASTIC 50,FR5	KOPPELING,MONOLASTIC 50,FR5
8	104946	1		SENSOR	SENSOR	SENSOR
9	100014	1		YANMAR OIL FILTER 3TNV88 4TNV88/86/C 4TNV98	YANMAR ÖLFILTER 3TNV88 4TNV88/86/C 4TNV98	YANMAR OLIEFILTER 3TNV88 4TNV88/86/C 4TNV98
10	104962	1		DIPSTICK	OLMESSSTAB	OLIEPEILSTOK
11	110373	2		SCREW,HEX,DIN933,M6X20-8.8-ZN	SKT.SCHRAUBE,DIN933,M6X20-8.8-ZN	ZESK.TAPBOUW,DIN933,M6X20-8.8-ZN
12	110073	4		WASHER	UNTERLEGSCHIEBE	SLUITRING
13	101851	2		LOCK NUT M6	MUTTER SELBSTS.VERZ M6	DIN 985 ZELFBORGENDE MOER M6
14	101854	4		LOCK NUT M12	MUTTER SELBSTS.VERZ M12	DIN 985 ZELFBORGENDE MOER M12
15	110230	8		WASHER DIN125A,M12-ZN	UNTERLEGSCHIEBE DIN125A,M12-ZN	SLUITRING DIN125A,M12-ZN
16	110375	4		SCREW,HEX,DIN931,M12X80-8.8-ZN	SKT.SCHRAUBE,DIN931,M12X80-8.8-ZN	ZESK.BOUT,DIN931,M12X80-8.8-ZN
17	110214	1		WASHER DIN125A,M8-ZN	UNTERLEGSCHIEBE DIN125A,M8-ZN	SLUITRING DIN125A,M8-ZN
18	110197	1		WASHER,SPRING,DIN128,M8-ZN	FEDERRING,DIN128,M8-ZN	VEERRING,DIN128,M8-ZN
19	110374	1		SCREW,HEX,DIN931,M8X100-8.8-ZN	SKT.SCHRAUBE,DIN931,M8X100-8.8-ZN	ZESK.BOUT,DIN931,M8X100-8.8-ZN
20	110378	1		ECU ENGINE YANMAR FR5	ECU MOTOR YANMAR FR5	ECU MOTOR YANMAR FR5
21	50705-200	1		BRACKET COMPRESSOR FR5	KONSOLE KOMPRESSOR FR5	HOUDER COMPRESSOR FR5
22	704010	1		FUEL LINE FR5	KRAFTSTOFLEITUNG FR5	BRANDSTOFLEIDING FR5
23	104958	2		OIL FILLER CAP	OLEINFLULLVERSCHLUSS	OLIEVULDOP
24	110381	1		V-BELT,ENGINE,FR5	KEILRIEMEN,MOTOR,FR5	V-SNAAR,MOTOR,FR5
25	110383	1		WATER TEMPERATURE SWITCH,FR5	WASSERTEMPERATURSCHALTER,FR5	WATERTEMPERATUURSCHAKELAAR,FR5

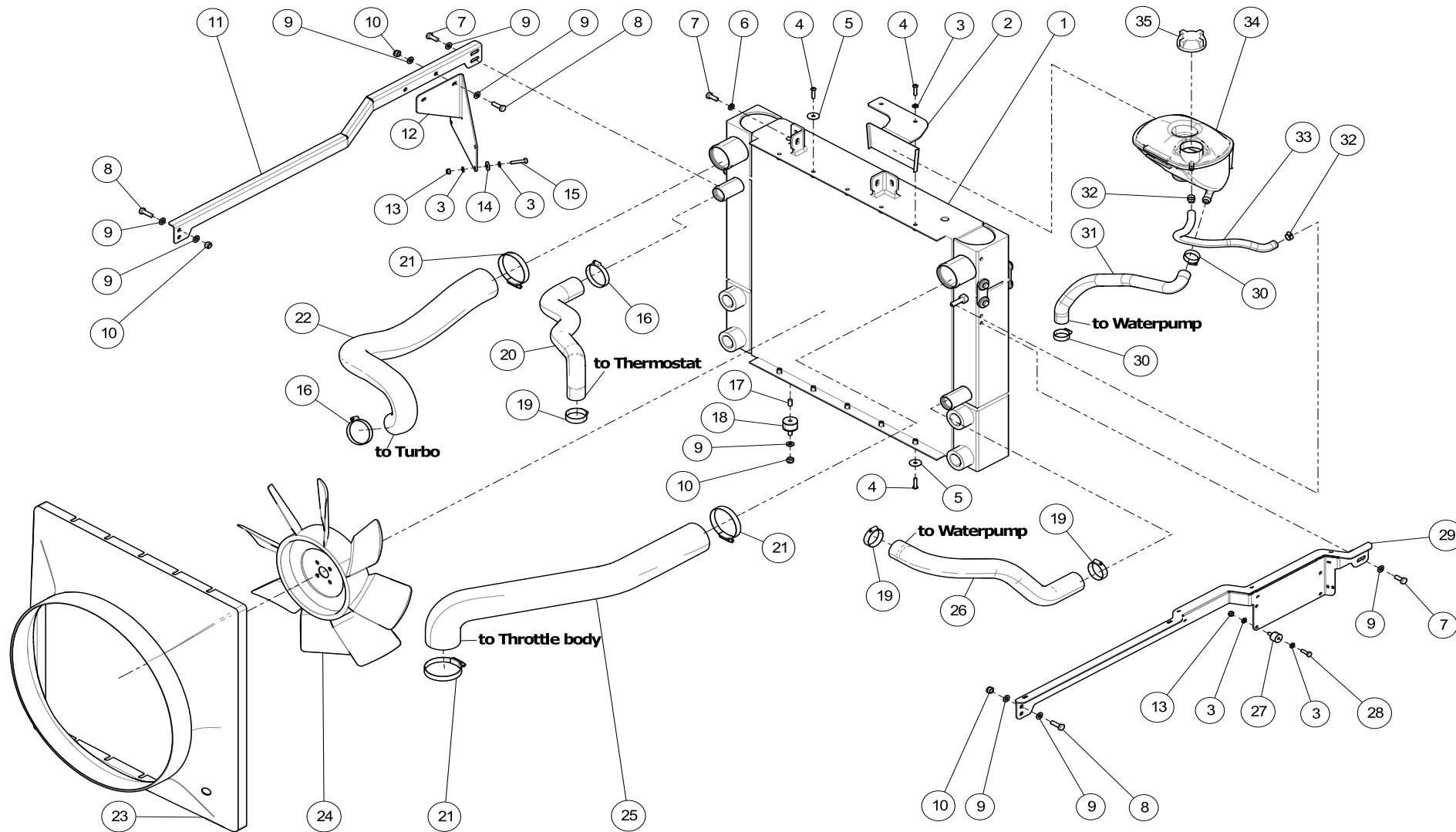
ENGINE | MOTOR | MOTOR
50705-100
F5/R5



ENGINE | MOTOR | MOTOR
50705-100
F5/R5

KEY	PART NO.	QTY	SERIAL NO.	DESCRIPTION	BESCHREIBUNG	OMSCHRIJVING
25.1	111405	1		SEAL,WATER TEMPERATURE SWITCH,FR5	DICHTUNG,WASSEITEMPERATURSCHALTER,FR5	PAKKING,WATERTEMPERATUURSCHAKELAAR,FR5
26	110382	1		WATER PUMP,FR5	WASSERPUMPE,FR5	WATERPOMP,FR5
27	110384	1		O-RING,THERMOSTAT,M3	O-RING,THERMOSTAT,M3	O-RING,THERMOSTAAT,M3
28	102236	1		YANMAR THERMOSTAT 3/4TNV88	YANMAR THERMOSTAT 3/4TNV88	YANMAR THERMOSTAAT 3/4TNV88
29	102237	1		YANMAR THERMOSTAT GASKET 3/4TNV88	YANMAR THERMOSTATDICHTUNG 3/4TNV88	YANMAR THERMOSTAATPAKKING 3/4TNV88
30	110385	1		O-RING,G30	O-RING,G30	O-RING,G30
31	102613	1		YANMAR WATERPUMP GASKET 3/4TNV88	YANMAR KUHLOWASSERPUMPE DICHTUNG 3/4TNV88	YANMAR WATERPOMP PAKKING 3/4TNV88
32	110388	1		ALTERNATOR,FR5	DREHSTROMGENERATOR,FR5	DYNAMO,FR5
33	100010	1		YANMAR GASKET, COVER TNV88	YANMAR VENTILDECKELDICHTUNG TNV88	YANMAR KLEPDEKSEL PAKKING TNV88
34	50705-201	1		ENGINE MOUNT RIGHT,FR5	MOTORSTUETZE RECHTS,FR5	MOTORSTEUN RECHTS,FR5
35	100009	1		YANMAR PUMP ASSY, FUEL FEED 12V	YANMAR KRAFTSTOFF FÖRDERPUMPE 12V	YANMAR BRANDSTOF OPVOERPOMP 12V
36	111225	1		DPF PRESSURE SENSOR	DPF DRUCKSENSOR	DPF DRUKSENSOR
	108551	1		YANMAR FUEL FILTER 4TNV88C	YANMAR KRAFTSTOFFFILTER 4TNV88C	YANMAR BRANDSTOFFFILTER 4TNV88C
37	100774	7		NORD-LOCK M10	NORD-LOCK M10	NORD-LOCK M10
38	110200	1		WASHER DIN125A,M10-ZN	UNTERLEGSCHIEBE DIN125A,M10-ZN	SLUITRING DIN125A,M10-ZN

COOLINGSYSTEM | KÜHLSYSTEM | KOELSYSTEEM
50705-101
F5/R5



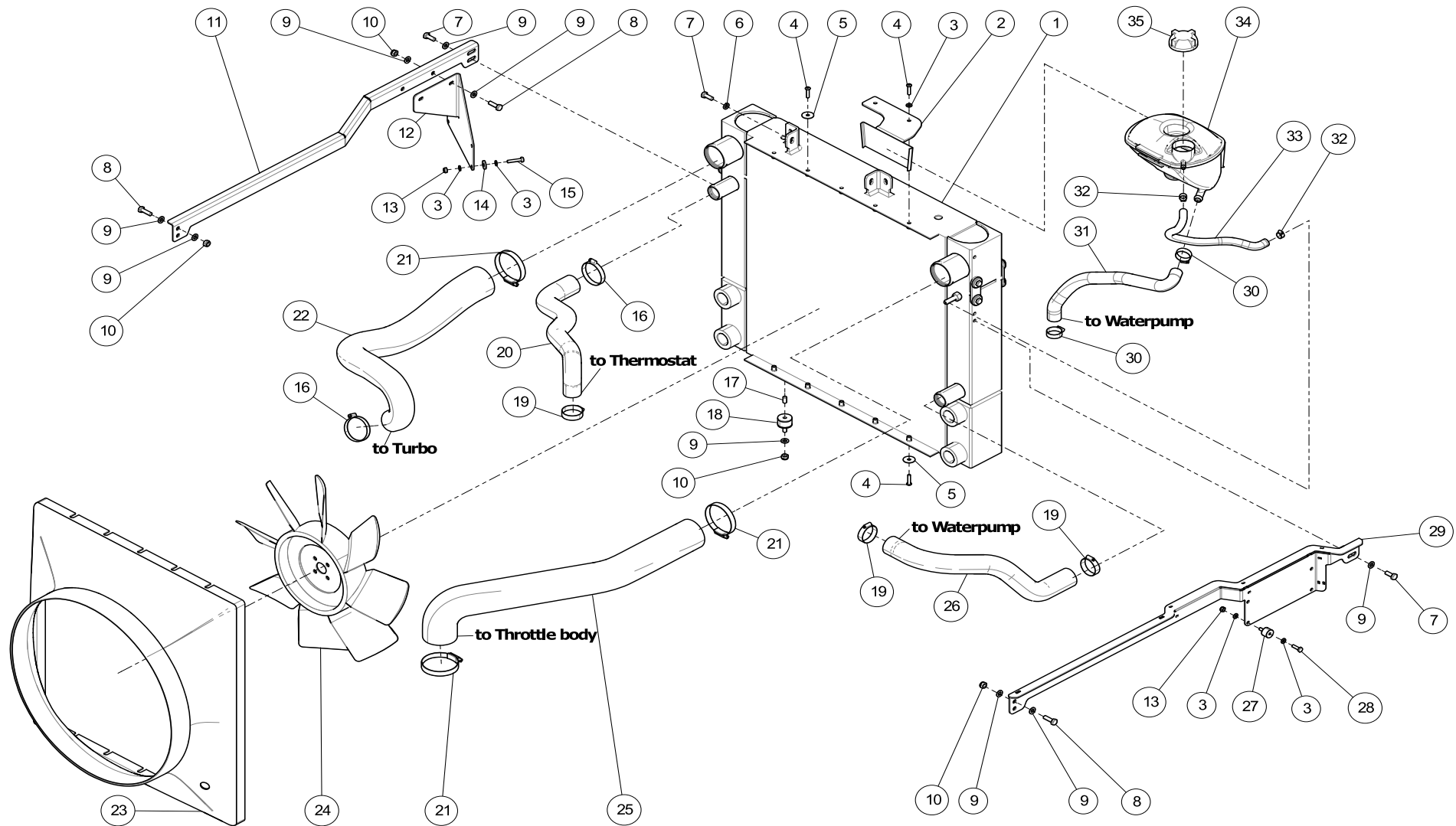
COOLINGSYSTEM | KÜHLSYSTEM | KOELSYSTEEM

50705-101

F5/R5

KEY	PART NO.	QTY	SERIAL NO.	DESCRIPTION	BESCHREIBUNG	OMSCHRIJVING
1	704011	1		COOLER,FR5	KUEHLER,FR5	KOELER,FR5
2	50705-202	1		SUPPORT,RESERVOIR FR5	STUETZE,WASSERBEHALTER FR5	STEUN,EXPANSIEVAT FR5
3	110073	18		WASHER	UNTERLEGSCHEIBE	SLUITRING
4	110389	10		SCREW,HEX,DIN933,M6X25-8.8-ZN	SKT.SCHRAUBE,DIN933,M6X25-8.8-ZN	ZESK.TAPBOUT,DIN933,M6X25-8.8-ZN
5	110392	8		MUDGUARD WASHER,M6X25X1.5 ZN	KOTFLUGELSCHIEBE,M6X25X1.5 ZN	CARROSSERIERING,M6X25X1.5 ZN
6	110197	2		WASHER,SPRING,DIN128,M8-ZN	FEDERRING,DIN128,M8-ZN	VEERRING,DIN128,M8-ZN
7	110192	8		SCREW,HEX,DIN933,M8X20-8.8-ZN	SKT.SCHRAUBE,DIN933,M8X20-8.8-ZN	ZESK.TAPBOUT,DIN933,M8X20-8.8-ZN
8	110227	6		SCREW,HEX,DIN933,M8X25-8.8-ZN	SKT.SCHRAUBE,DIN933,M8X25-8.8-ZN	ZESK.TAPBOUT,DIN933,M8X25-8.8-ZN
9	110214	20		WASHER DIN125A,M8-ZN	UNTERLEGSCHEIBE DIN125A,M8-ZN	SLUITRING DIN125A,M8-ZN
10	101852	8		LOCK NUT M8	MUTTER SELBSTS.VERZ M8	DIN 985 ZELFBORGENDE MOER M8
11	50705-204	1		COOLER SUPPORT RIGHT,FR5	KUEHLERHALTER RECHTS,FR5	KOELERSTEUN RECHTS,FR5
12	704020	1		MOUNTING PLATE,CONTROLLER	MONTAGEPLATTE,STEUERGERAT	MONTAGEPLAAT,CONTROLLER
13	101851	8		LOCK NUT M6	MUTTER SELBSTS.VERZ M6	DIN 985 ZELFBORGENDE MOER M6
14	704012	4		RUBBER RING	GUMMIRING	RUBBER RING
15	110390	4		SCREW,HEX,DIN931,M6X30-8.8-ZN	SKT.SCHRAUBE,DIN931,M6X30-8.8-ZN	ZESK.BOUT,DIN931,M6X30-8.8-ZN
16	101429	2		HOSE CLAMP 40-60MM	SCHLAUCHKLEMME 40-60MM	SLANGKLEM 40-60MM
17	110391	2		SET SCREW,DIN913,M8X16-45H-ZN	GEWINDESTIFT,DIN913,M8X16-45H-ZN	STELSCHROEF,DIN913,M8X16-45H-ZN
18	102769	2		VIBRATION DAMPER TYPE B	VIBRATIONSDÄMPFER TYP B	TRILLINGSDEMPER TYPE B Ø30X20 M8X20
19	101428	3		HOSE CLAMP 32-50MM	SCHLAUCHKLEMME 32-50MM	SLANGKLEM 32-50MM
20	704017	1		RADIATOR HOSE FR5	KUHLWASSERSCHLAUCH FR5	KOELWATERSLANG FR5
21	101431	3		HOSE CLAMP 60-80MM	SCHLAUCHKLEMME 60-80MM	SLANGKLEM 60-80MM
22	704018	1		HOSE INTERCOOLER TO TURBO FR5	SCHLAUCH LADELUFTKUEHLER NACH TURBO FR5	SLANG INTERCOOLER NAAR TURBO FR5
23	704013	1		SHROUD FR5	KUEHLERHUTZE FR5	KOELERTUNNEL FR5
24	EVU001991	1		FAN	LUEFTER	VENTILATOR
25	704019	1		HOSE INTERCOOLER TO ENGINE FR5	SCHLAUCH LADELUFTKUEHLER NACH MOTOR FR5	SLANG INTERCOOLER NAAR MOTOR FR5

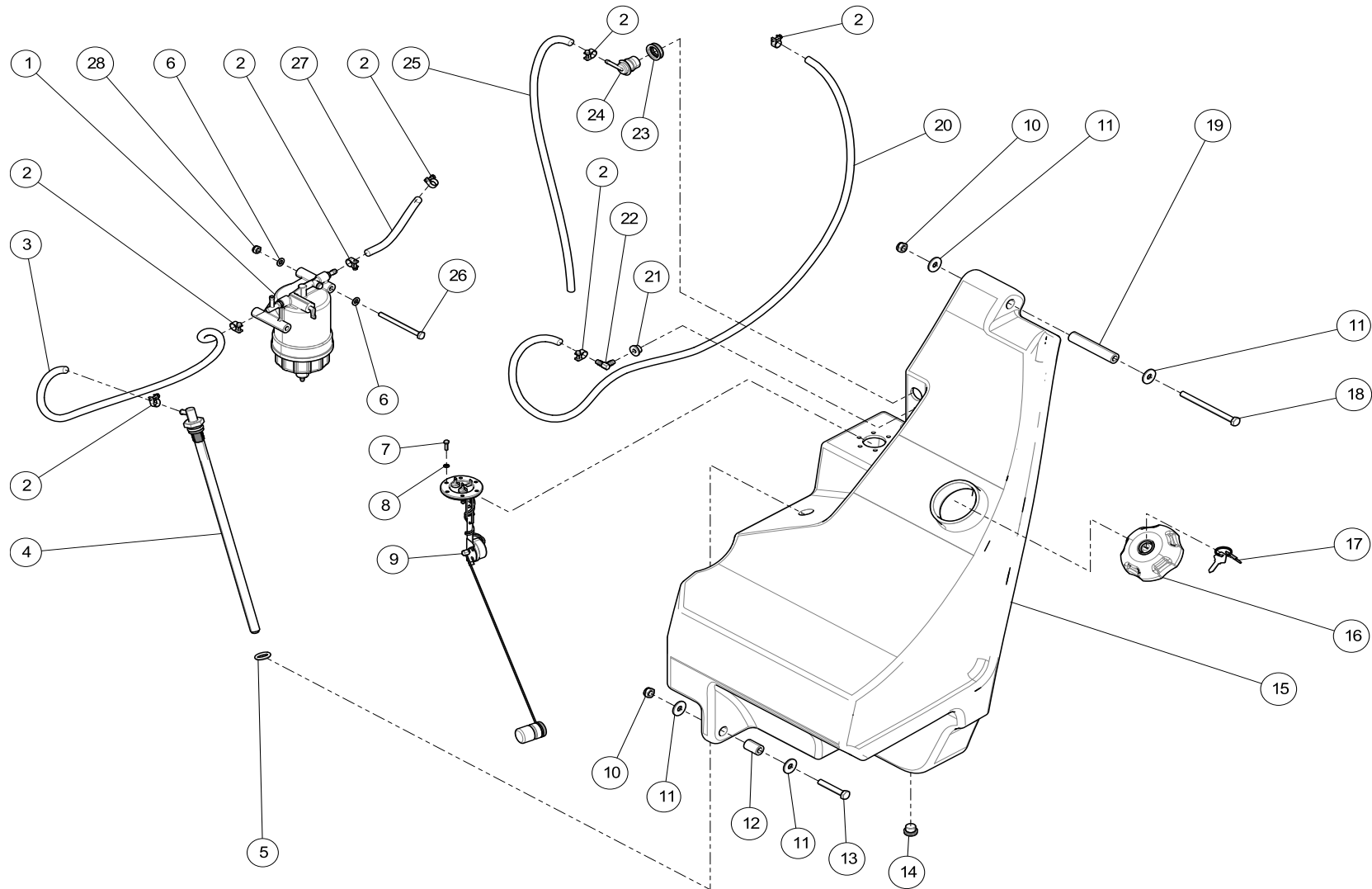
COOLINGSYSTEM | KÜHLSYSTEM | KOELSYSTEEM
50705-101
F5/R5



COOLINGSYSTEM | KÜHLSYSTEM | KOELSYSTEEM
50705-101
F5/R5

KEY	PART NO.	QTY	SERIAL NO.	DESCRIPTION	BESCHREIBUNG	OMSCHRIJVING
26	704014	1		RADIATOR HOSE FR5	KUHLWASSERSCHLAUCH FR5	KOELWATERSLANG FR5
27	110393	4		BUFFER,TYPE B,D20XH15,M6X15-60SHORE	PUFFER,TYP B,D20XH15,M6X15-60SHORE	TRILLINGDEMPEP,TYPE B,D20XH15,M6X15-60SH
28	110373	4		SCREW,HEX,DIN933,M6X20-8.8-ZN	SKT.SCHRAUBE,DIN933,M6X20-8.8-ZN	ZESK.TAPBOUT,DIN933,M6X20-8.8-ZN
29	50705-203	1		COOLER SUPPORT LEFT,FR5	KUEHLERHALTER LINKS,FR5	KOELERSTEUN LINKS,FR5
30	101426	2		HOSE CLAMP 16-27MM	SCHLAUCHKLEMME 16-27MM	SLANGKLEM 16-27MM
31	704016	1		HOSE RESERVOIR TO ENGINE FR5	SCHLAUCH VORRATSBEHALTER NACH MOTOR FR5	SLANG EXPANSIEVAT NAAR MOTOR FR5
32	110421	2		HOSE CLIP	SCHLAUCHSCHELLE	SLANGKLEM
33	704015	1		HOSE RADIATOR TO RESERVOIR FR5	SCHLAUCH RADIATOR NACH BEHALTER FR5	SLANG RADIATOR NAAR EXPANSIEVAT FR5
34	704028	1		RESERVOIR	VORRATSBEHALTER	EXPANSIEVAT
35	704029	1		FILLER CAP	VERSCHLUSSDECKEL	DOP EXPANSIEVAT

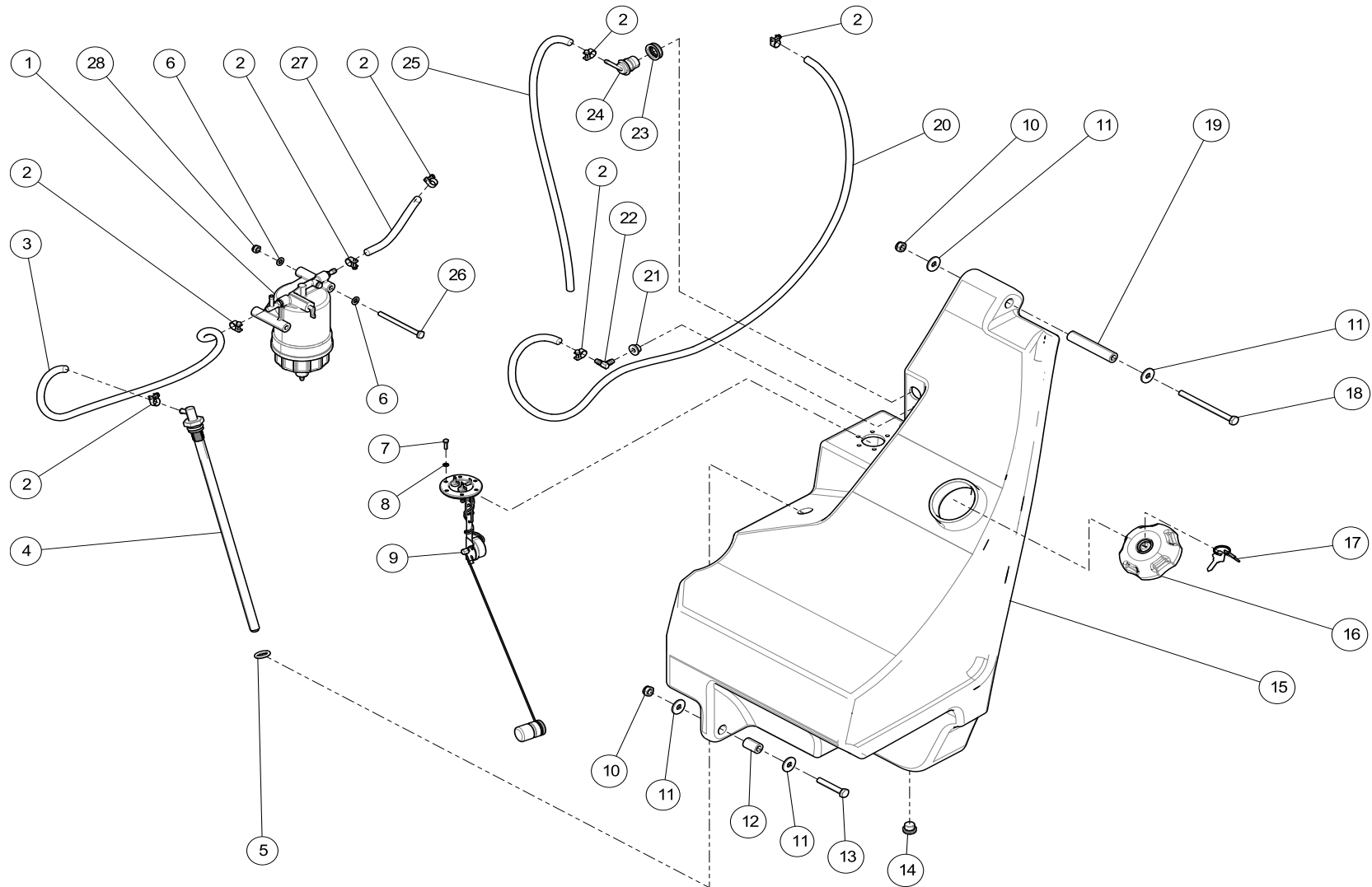
FUEL SUPPLY | KRAFTSTOFFVERSORGUNG | BRANDSTOFTOEVOER
50706-100
F5/R5



FUEL SUPPLY | KRAFTSTOFFVERSORGUNG | BRANDSTOFTOEVOER
50706-100
F5/R5

KEY	PART NO.	QTY	SERIAL NO.	DESCRIPTION	BESCHREIBUNG	OMSCHRIJVING
1	110379	1		WATER SEPARATOR, YANMAR, FR5	WASSERABSCHIEDER, YANMAR, FR5	WATERAFSCHEIDER, YANMAR, FR5
1.1	109685	1		YANMAR FUEL PREFILTER	YANMAR KRAFTSTOFFILTER	YANMAR BRANDSTOF VOORFILTER
1.2	110380	1		O-RING, WATER SEPARATOR, YANMAR, FR5	O-RING, WASSERABSCHIEDER, YANMAR, FR5	O-RING, WATERAFSCHEIDER, YANMAR, FR5
2	101441	1		MINI HOSE CLAMP 11,5-13,5MM	SCHLAUCHSCHELLE MINI 11,5-13,5MM	MINI SLANGKLEM 11,5-13,5MM
3	704039	1		FUEL LINE FR5	KRAFTSTOFLEITUNG FR5	BRANDSTOFLEIDING FR5
4	50706-102	1		FUEL PICK UP	ANSAUGROHR	BRANDSTOF INLAATMONDSTUK
5	110428	4		O-RING FUEL PICKUP	O-RING ANSAUGROHR	O-RING AANZUIGPIJP
6	110214	6		WASHER DIN125A, M8-ZN	UNTERLEGSCHIEBE DIN125A, M8-ZN	SLUITRING DIN125A, M8-ZN
7	110422	6		SCREW, HEX, DIN933, M5X16-8.8-ZN	SKT. SCHRAUBE, DIN933, M5X16-8.8-ZN	ZESK. TAPBOUT, DIN933, M5X16-8.8-ZN
8	110275	1		WASHER DIN125A, M5-ZN	UNTERLEGSCHIEBE DIN125A, M5-ZN	SLUITRING DIN125A, M5-ZN
9	110430	2		TANK FLOAT TRANSMITTER, FR5	TANKGEBER, FR5	VLOTTERSET, FR5
10	101853	4		LOCK NUT M10	MUTTER SELBSTS. VERZ M10	DIN 985 ZELFBORGENDE MOER M10
11	110314	1		WASHER, DIN9021-M10-ZN	UNTERLEGSCHIEBE, DIN9021-M10-ZN	SLUITRING, DIN9021-M10-ZN
12	704035	1		SPACER ZN, HYDRAULIC TANK M3	DISTANZBUECHSE ZN, OELBEHALTER M3	AFSTANDBUS ZN, HYDRAULIEKTANK M3
13	110423	1		SCREW, HEX, DIN931, M10X60-8.8-ZN	SKT. SCHRAUBE, DIN931, M10X60-8.8-ZN	ZESK. BOUT, DIN931, M10X60-8.8-ZN
14	704033	1		DRAIN PLUG WITH SEAL	ABLASSSTOPFEN MIT DICHTUNG	AFDICHTINGSRING
15	50706-101	1		FUEL TANK FR5, CPL.	KRAFTSTOFFBEHALTER FR5, KPL.	BRANDSTOFTANK FR5, KPL.
16	110431	1		FUEL CAP WITH LOCK AND KEYS	TANKKAPPE MIT SCHLOSS UND SCHUSSEL	TANKDOP MET SLOT EN SLEUTELS
17	110432	1		KIT, KEYS, FUEL CAP, M3	SATZ, SCHLUESSEL, TANKKAPPE, M3	SET, SLEUTELS, TANKDOP, M3
18	110424	1		SCREW, HEX, DIN931, M10X130-8.8-ZN	SKT. SCHRAUBE, DIN931, M10X130-8.8-ZN	ZESK. BOUT, DIN931, M10X130-8.8-ZN
19	704034	1		SPACER FUEL TANK, M3	DISTANZSTUECK KRAFTSTOFFBEHALTER, M3	AFSTANDSPIJP BRANDSTOFTANK, M3
20	704037	1		FUEL LINE FR5	KRAFTSTOFLEITUNG FR5	BRANDSTOFLEIDING FR5
21	704032	1		SEAL	DICHTRING	AFDICHTINGSRING
22	110429	1		FITTING GS8	NIPPEL GS8	NIPPEL GS8

FUEL SUPPLY | KRAFTSTOFFVERSORGUNG | BRANDSTOFFTOEVOER
50706-100
F5/R5



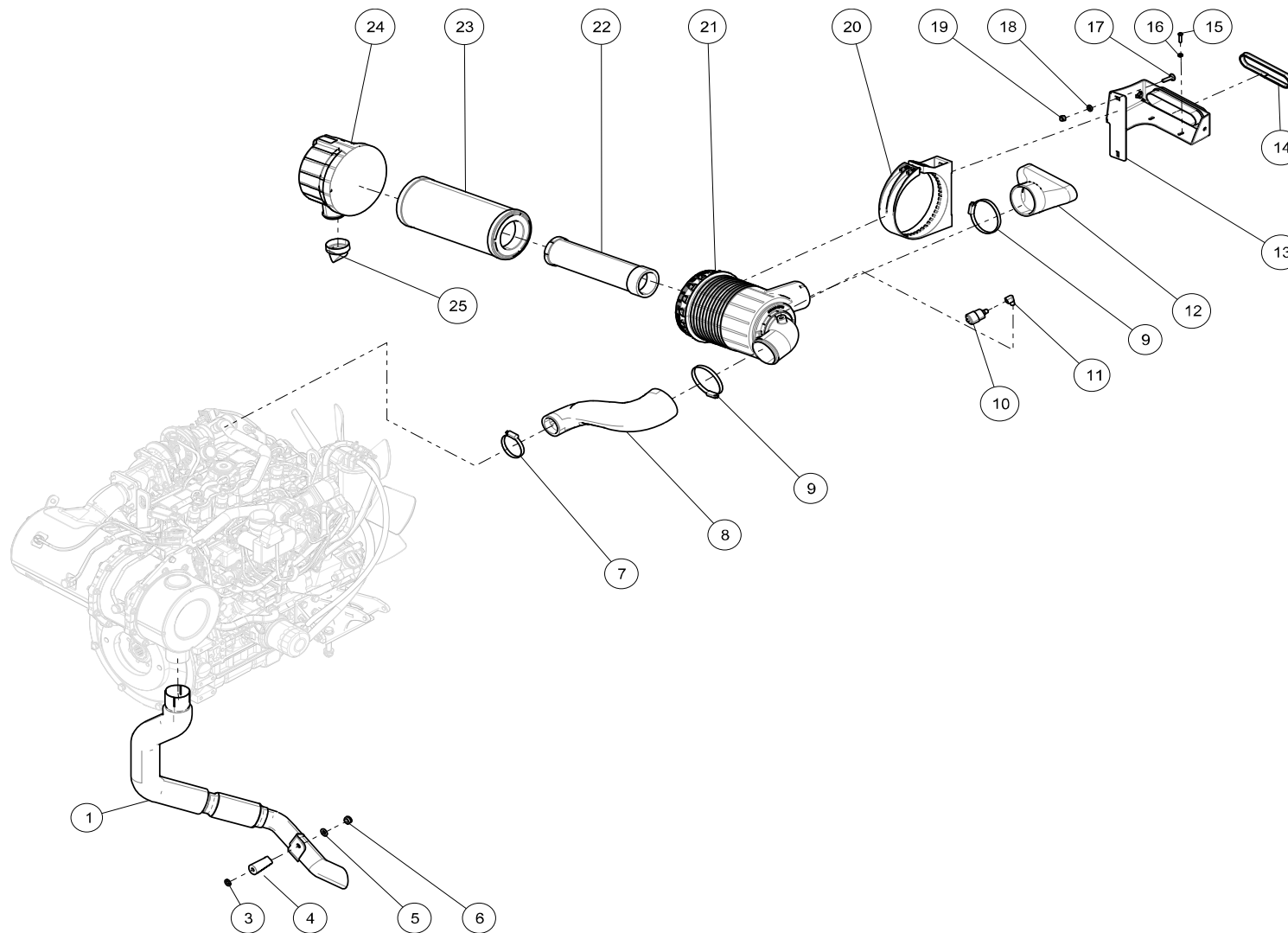
FUEL SUPPLY | KRAFTSTOFFVERSORGUNG | BRANDSTOFTOEVOER
50706-100
F5/R5

KEY	PART NO.	QTY	SERIAL NO.	DESCRIPTION	BESCHREIBUNG	OMSCHRIJVING
23	110427	1		TULLE,RUBBER	TULL,GUMMI	TULE,RUBBER
24	110425	1		FLOAT VALVE	SCHWIMMERVERTIL	VLOTTERVENTIEL
25	704036	1		FUEL HOSE 700MM	KRAFTSTOFFSCHLAUCH 700MM	BRANDSTOFSLANG 700MM
26	110374	2		SCREW,HEX,DIN931,M8X100-8.8-ZN	SKT.SCHRAUBE,DIN931,M8X100-8.8-ZN	ZESK.BOUT,DIN931,M8X100-8.8-ZN
27	704038	1		FUEL LINE FR5	KRAFTSTOFLEITUNG FR5	BRANDSTOFLEIDING FR5
28	101852	2		LOCK NUT M8	MUTTER SELBSTS.VERZ M8	DIN 985 ZELFBORGENDE MOER M8

EXHAUST AND AIR FILTER | AUSPUFF UND LUFTFILTER | UITLAAT EN LUCHTFILTER

50705-102

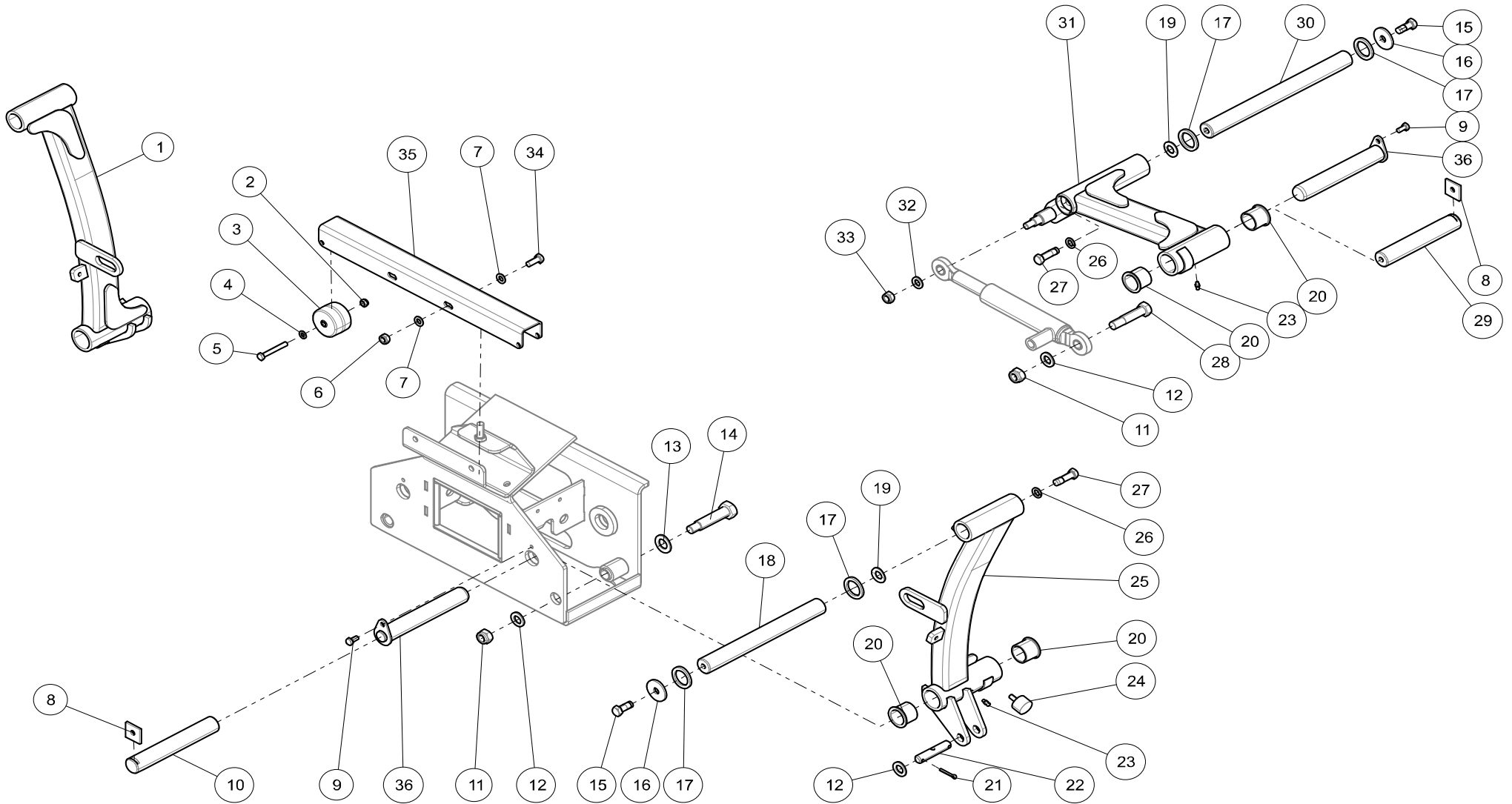
F5/R5



EXHAUST AND AIR FILTER | AUSPUFF UND LUFTFILTER | UITLAAT EN LUCHTFILTER
50705-102
F5/R5

KEY	PART NO.	QTY	SERIAL NO.	DESCRIPTION	BESCHREIBUNG	OMSCHRIJVING
1	110442	1		EXHAUST FR5	AUSPUFF FR5	UITLAAT FR5
2	NVT			NVT	NVT	NVT
3	110200	1		WASHER DIN125A,M10-ZN	UNTERLEGSCHIEBE DIN125A,M10-ZN	SLUITRING DIN125A,M10-ZN
4	704041	1		BUSHING	BUECHSE	BUS
5	110200	1		WASHER DIN125A,M10-ZN	UNTERLEGSCHIEBE DIN125A,M10-ZN	SLUITRING DIN125A,M10-ZN
6	101853	1		LOCK NUT M10	MUTTER SELBSTS.VERZ M10	DIN 985 ZELFBORGENDE MOER M10
7	101430	1		HOSE CLAMP 50-70MM	SCHLAUCHKLEMME 50-70MM	SLANGKLEM 50-70MM
8	704043	1		TURBO HOSE FR5	TURBOSCHLAUCH FR5	TURBOSLANG FR5
9	110443	2		HOSE CLIP,70-90/9MM	SCHLAUCHSCHELLE,70-90/9MM	SLANGKLEM,70-90/9MM
10	110435	1		RESTRICTION INDICATOR,AIR FILTER,M3	INDICATOR,LUFTFILTER,M3	RESTRICIE INDICATOR,LUCHTFILTER,M3
11	110444	1		FITTING,AIRFILTER INDICATOR 90?	FITTING,LUFTFILTERINDICATOR 90?	NIPPEL,LUCHTFILTER INDICATOR 90?
12	704042	1		AIR INTAKE HOSE FR5	LUFTFILTERSCHLAUCH FR5	LUCHTFILTERSLANG FR5
13	50705-205	1		BRACKET AIR FILTER FR5	KONSOLE LUFTFILTER,FR5	HOUDER LUCHTFILTER,FR5
14	704040	1		RIM PROTECTION	KANTENSCHUTZ	KANTPROFIEL
15	110520	2		SCREW,SOC,ISO7380,M6X25-8.8-ZN	SCHRAUBE,ISK,ISO7380,M6X25-8.8-ZN	BOU, BZK,ISO7380,M6X25-8.8-ZN
16	110073	2		WASHER	UNTERLEGSCHIEBE	SLUITRING
17	110434	2		BOLT,RH,SQNECK,DIN603,M8X30-8.8-ZN	FLACHRUNDSCHRAUBE,DIN603,M8X30-8.8-ZN	SLOTBOU,DIN603,M8X30-8.8-ZN
18	110214	2		WASHER DIN125A,M8-ZN	UNTERLEGSCHIEBE DIN125A,M8-ZN	SLUITRING DIN125A,M8-ZN
19	101852	2		LOCK NUT M8	MUTTER SELBSTS.VERZ M8	DIN 985 ZELFBORGENDE MOER M8
20	110441	1		SUPPORT,AIR FILTER,FR5	STUETZE,LUFTFILTER,FR5	HOUDER,LUCHTFILTER,FR5
21	110437	1		AIR FILTER CPL,FR5	LUFTFILTER,KPL,FR5	LUCHTFILTER,KPL,FR5
22	110439	1		AIR FILTER ELEMENT,SAFETY,FR5	SICHERHEITSLUFTFILTERELEMENT,FR5	VEILIGHEIDSLUCHTFILTERELEMENT,FR5
23	100022	1		AIR FILTER OUTER 4TNV98 (ELECTRONIC)	LUFTFILTER AUSSEN 4TNV98 (ELECTRONISCH)	LUCHTFILTER ELEMENT 4TNV98 (ELECTRONISCH)
24	110438	1		COVER,AIRFILTER,M3	DECKEL,LUFTFILTER,M3	DEKSEL,LUCHTFILTER,M3
25	110440	1		VACUATOR VALVE,AIR FILTER FR5	STAUBAUSLASSVENTIL,LUFTFILTER FR5	STOFUITLAATVENTIEL,LUCHTFILTER FR5

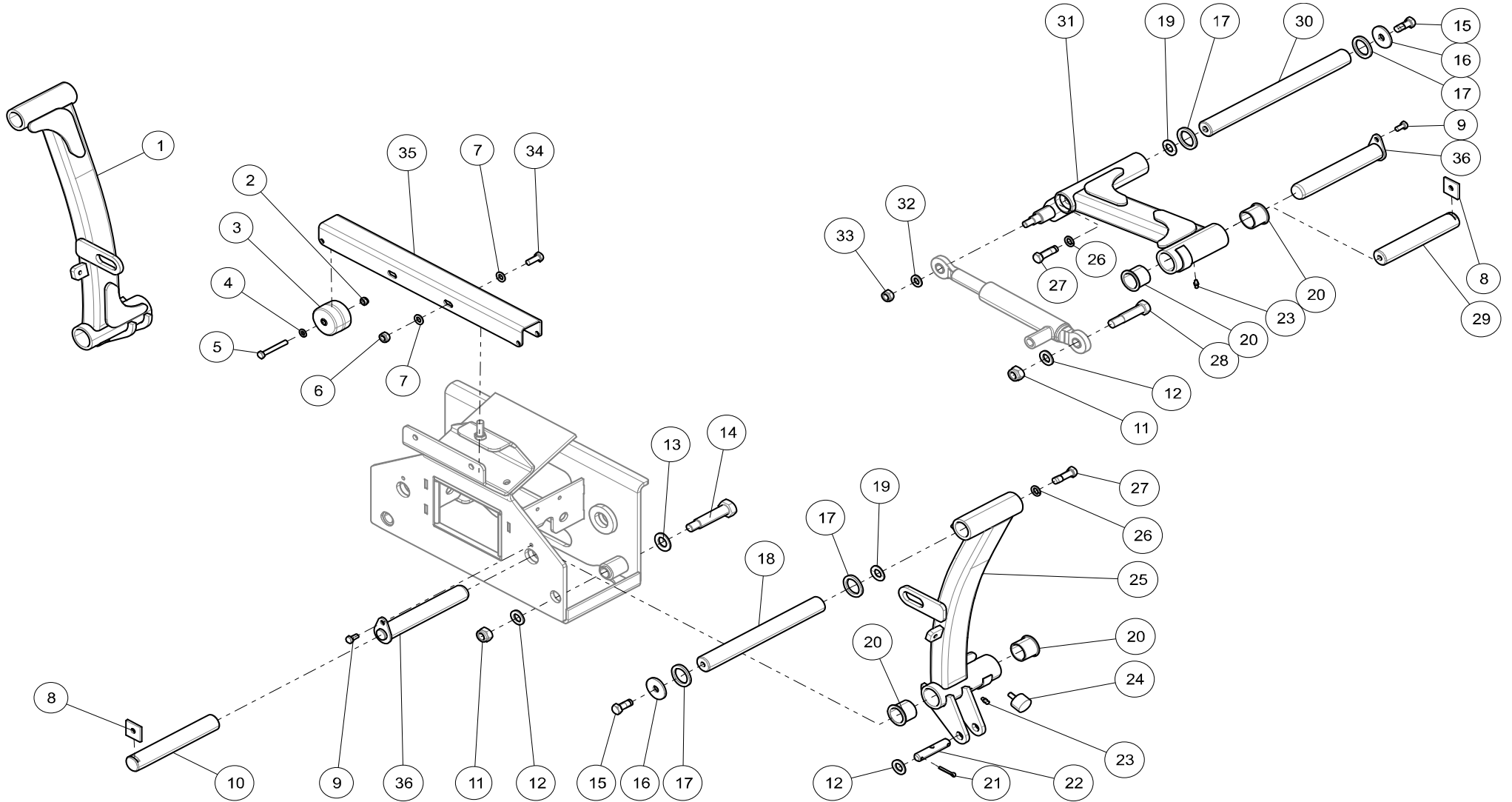
LIFT ARMS | HUBARM | DRAAGARMEN
 50709-100
 F5/R5



LIFT ARMS | HUBARM | DRAAGARMEN
50709-100
F5/R5

KEY	PART NO.	QTY	SERIAL NO.	DESCRIPTION	BESCHREIBUNG	OMSCHRIJVING
1	50678-245	1		LIFT ARM,FRONT,RIGHT,FR302	TRAGARM,VORNE,RECHTS,FR302	DRAAGARM,VOOR,RECHTS,FR302
2	101852	4		LOCK NUT M8	MUTTER SELBSTS.VERZ M8	DIN 985 ZELFBORGENDE MOER M8
3	110461	2		ROLLER CPL.	STÜTZROLLE,KPL.	STEUNWIEL MET BUS
4	110214	6		WASHER DIN125A,M8-ZN	UNTERLEGSCHIEBE DIN125A,M8-ZN	SLUITRING DIN125A,M8-ZN
5	110847	2		SCREW,HEX,DIN931,M8X60-8.8-ZN	SKT.SCHRAUBE,DIN931,M8X60-8.8-ZN	ZESK.BOUT,DIN931,M8X60-8.8-ZN
6	101853	2		LOCK NUT M10	MUTTER SELBSTS.VERZ M10	DIN 985 ZELFBORGENDE MOER M10
7	110200	4		WASHER DIN125A,M10-ZN	UNTERLEGSCHIEBE DIN125A,M10-ZN	SLUITRING DIN125A,M10-ZN
8	704546	3		LOCKL PLATE	SICHERUNGSBLECH	BORGPLAAT
9	110457	5		SCREW,HEX,DIN933,M8X16-8.8-ZN	SKT.SCHRAUBE,DIN933,M8X16-8.8-ZN	ZESK.TAPBOUT,DIN933,M8X16-8.8-ZN
10	704544	2		SHAFT	WELLE	AS DRAAGARM
11	101856	5		LOCK NUT M16	MUTTER SELBSTS.VERZ M16	DIN 985 ZELFBORGENDE MOER M16
12	108429	8		WASHER	UNTERLEGSCHIEBE	SLUITRING
13	110080	4		WASHER	UNTERLEGSCHIEBE	SLUITRING
14	704064	4		CILINDER PIN	ZYLINDERSTIFT	CILINDERPEN
15	110450	3		SCREW,HEX,DIN933,M12X30-8.8-ZN TUFLOK	SKT.SCHRAUBE,DIN933,M12X30-8.8-ZN TUFLOK	ZESK.TAPBOUT,DIN933,M12X30-8.8-ZN TUFLOK
16	704069	5		WASHER	UNTERLEGSCHIEBE	SLUITPLAAT
17	110464	4		WASHER	UNTERLEGSCHIEBE	SCHIJF,NYLACAST OILON
18	704067	2		SHAFT,LIFT ARM	WELLE,TRAGARM	AS,DRAAGARM
19	110460	20		DISC SPRING-31.5X16.3X2,75 T=2	TELLERFEDER-31.5X16.3X2,75 T=2	SCHOTELVEER-31.5X16.3X2,75 T=2
20	110462	6		BUSHING	BUECHSE	LAGERBUS
21	110463	2		SPLIT PIN,DIN94-5X32-ZN	SPLINTE,DIN94-5X32-ZN	SPLITPEN,DIN94-5X32-ZN
22	704072	1		PIN 16X78	STIFT 16X78	SCHARNIERPEN 16X78
23	110233	3		GREASE ZERK,DIN71412,M6X1-H1-180DEGREE	SCHMIERNIPPEL,DIN71412,M6X1-H1-180GRAD	SMEERNIPPEL,DIN71412,M6X1-H1-180GRADEN
24	101351	2		VIBRATION DAMPER TYPE D	VIBRATIONSDÄMPFER TYP D	TRILLINGDEMPEER TYPE D Ø30X20 M8X20
25	50678-246	1		LIFT ARM,FRONT,LEFT,FR302	TRAGARM,VORNE,LINKS,FR302	DRAAGARM,VOOR,LINKS,FR302

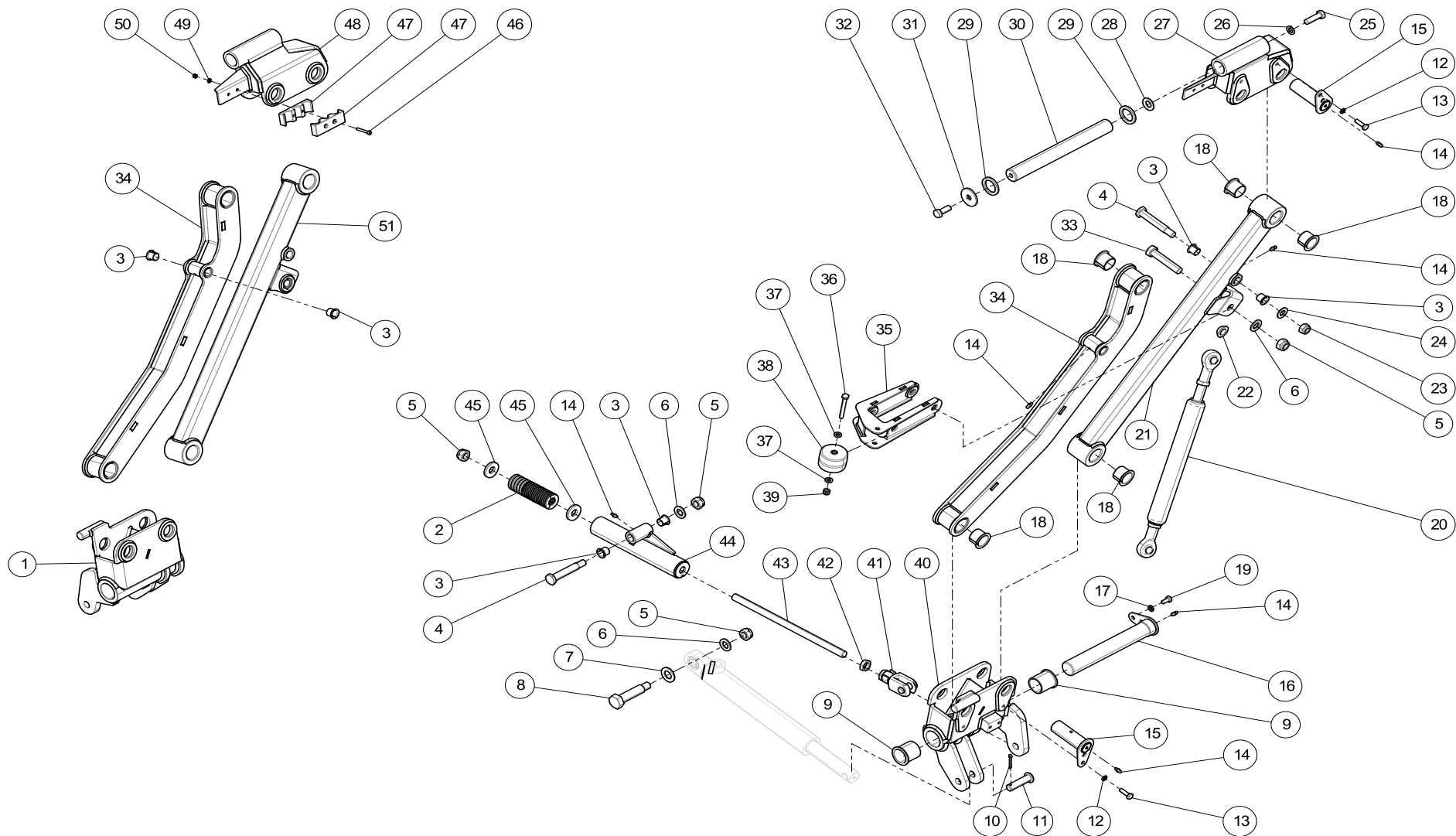
LIFT ARMS | HUBARM | DRAAGARMEN
 50709-100
 F5/R5



LIFT ARMS | HUBARM | DRAAGARMEN
50709-100
F5/R5

KEY	PART NO.	QTY	SERIAL NO.	DESCRIPTION	BESCHREIBUNG	OMSCHRIJVING
26	110452	3		WASHER,SPRING,DIN128,M12-ZN	FEDERRING,DIN128,M12-ZN	VEERRING,DIN128,M12-ZN
27	110451	3		SCREW,HEX,DIN933,M12X40-8.8-ZN TUFLOK	SKT.SCHRAUBE,DIN933,M12X40-8.8-ZN TUFLOK	ZESK.TAPBOUT,DIN933,M12X40-8.8-ZN TUFLOK
28	704065	1		CYLINDER PIN	ZYLINDERSTIFT	CILINDERPEN
29	704545	1		SHAFT	WELLE	AS DRAAGARM
30	704068	1		SHAFT,LIFT ARM CENTER	WELLE,TRAGARM MITTE	AS,DRAAGARM MIDDEN
31	50678-228	1		CENTER LIFT ARM,M3	MITTENTRAGARM,M3	MIDDENDRAAGARM,M3
32	110230	1		WASHER DIN125A,M12-ZN	UNTERLEGSCHIEBE DIN125A,M12-ZN	SLUITRING DIN125A,M12-ZN
33	101854	1		LOCK NUT M12	MUTTER SELBSTS.VERZ M12	DIN 985 ZELFBORGENDE MOER M12
34	110070	1		SCREW,HEX	SKT.SCHRAUBE	ZESK.TAPBOUT
35	50709-200	1		ROLLER SUPPORT,M3	ROLLENSTUETZE,M3	ROLHOUDERSTEUN,M3
36	704061	3		PIN,FR3ST5	BOLZEN,FR3ST5	PEN,FR3ST5

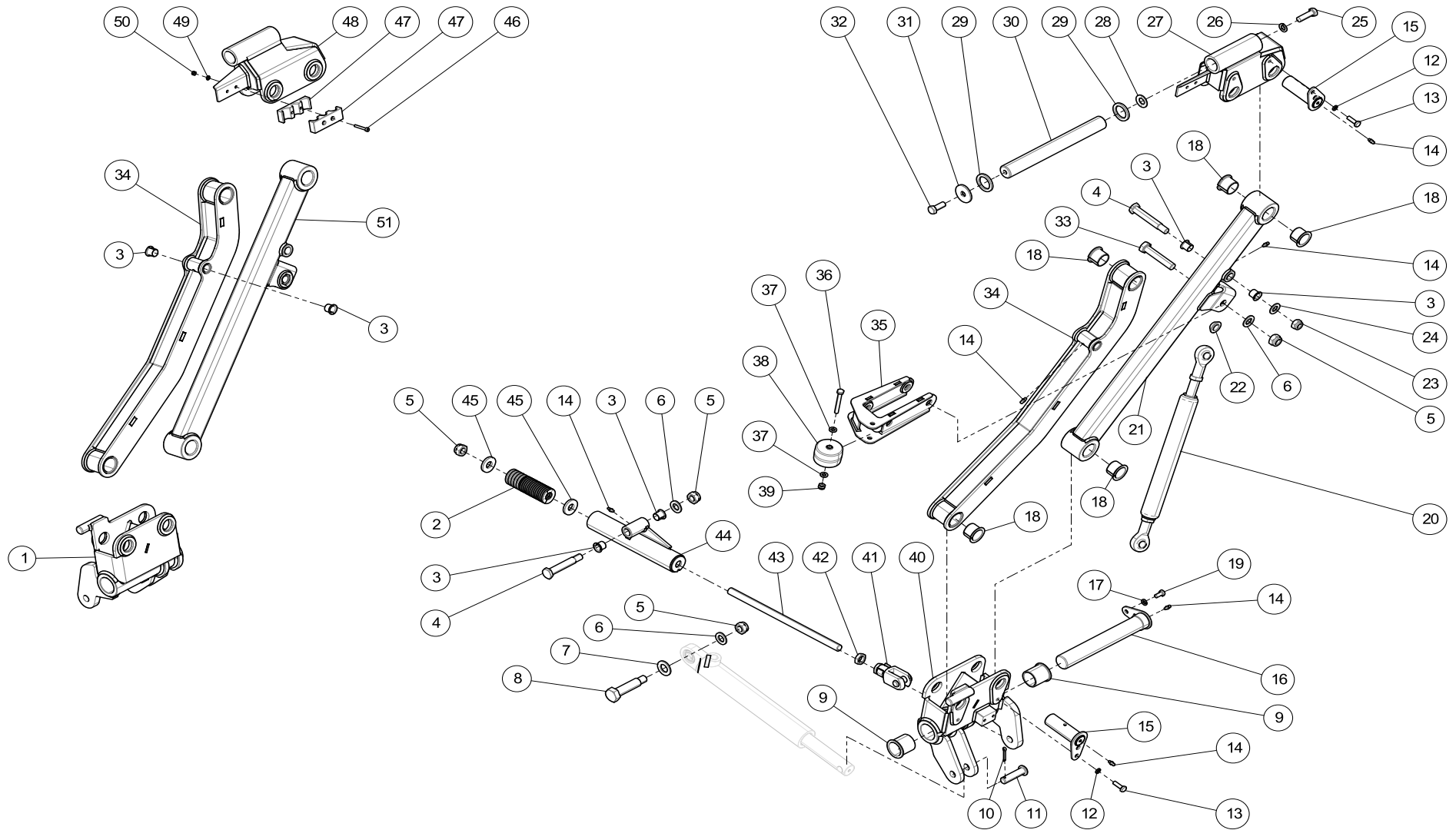
LIFT ARMS | HUBARM | DRAAGARMEN
50709-100
F5/R5



LIFT ARMS | HUBARM | DRAAGARMEN
50709-100
F5/R5

KEY	PART NO.	QTY	SERIAL NO.	DESCRIPTION	BESCHREIBUNG	OMSCHRIJVING
1	50678-229	1		CONNECTING PART,LIFTARM,FR5	VERBINDUNGSTEIL,HEBEARMEN,FR5	VERBINDINGSSTUK,HEFARMEN,FR5
2	704855	2		SPRING,TENSIONER FR5	FEDER,SPANNER FR5	VEER,SPANNER FR5
3	110445	8		BUSHING FLANGED	BUECHSE MIT FLANSCH	BUS MET FLENS
4	704071	6		BOLT,SPECIAL FR5	BOLZEN,SPEZIAL FR5	BOUT,SPECIAL FR5
5	101856	11		LOCK NUT M16	MUTTER SELBSTS.VERZ M16	DIN 985 ZELFBORGENDE MOER M16
6	108429	11		WASHER	UNTERLEGSCHIEBE	SLUITRING
7	110080	4		WASHER	UNTERLEGSCHIEBE	SLUITRING
8	704064	4		CILINDER PIN	ZYLINDERSTIFT	CILINDERPEN
9	704070	4		BUSHING	BUECHSE	BUS
10	110454	6		SPLIT PIN,DIN94-4X40-ZN	SPLINTE,DIN94-4X40-ZN	SPLITPEN,DIN94-4X40-ZN
11	110446	2		PIN,B16H11X65,DIN1444,VZ	STIFT,B16H11X65,DIN1444,VZ	PEN,B16H11X65,DIN1444,VZ
12	110228	8		SPRING WASHER,A8MM DIN7980 ZN	FEDERING,A8MM DIN7980 ZN	VEERRING,A8MM DIN7980 ZN
13	110192	8		SCREW,HEX,DIN933,M8X20-8.8-ZN	SKT.SCHRAUBE,DIN933,M8X20-8.8-ZN	ZESK.TAPBOUT,DIN933,M8X20-8.8-ZN
14	110233	15		GREASE ZERK,DIN71412,M6X1-H1-180DEGREE	SCHMIERNIPPEL,DIN71412,M6X1-H1-180GRAD	SMEERNIPPEL,DIN71412,M6X1-H1-180GRADEN
15	704057	2		HINGE PIN SIDE ARM FR5	SCHARNIERBOLZEN SEITENARM FR5	SCHARNIERPEN ZIJARM FR5
16	704052	2		HINGE PIN SIDE ARM FR5	SCHARNIERBOLZEN SEITENARM FR5	SCHARNIERPEN ZIJARM FR5
17	110197	2		WASHER,SPRING,DIN128,M8-ZN	FEDERING,DIN128,M8-ZN	VEERRING,DIN128,M8-ZN
18	110095	16		BUSHING	BUECHSE	LAGERBUS, FMB3026DU
19	110457	5		SCREW,HEX,DIN933,M8X16-8.8-ZN	SKT.SCHRAUBE,DIN933,M8X16-8.8-ZN	ZESK.TAPBOUT,DIN933,M8X16-8.8-ZN
20	704055	2		GAS SPRING	GASFEDER	GASVEER
20.1	110456	1		BALL JOINT,DIN ISO12240 4K CF16 M16	KUGELGELENK,DIN ISO12240 4K CF16 M16	KOGELGEWRIGHT,DIN ISO12240 4K CF16 M16
21	50678-232	2		LIFT ARM,LEFT WING,FR5	TRAGARM, LINKS HINTEN,FR5	DRAAGARM,LINKS ACHTER,FR5
22	704066	2		SPACER	DISTANZBUECHSE	AFSTANDBUS
23	101855	4		LOCK NUT M14	MUTTER SELBSTS.VERZ M14	DIN 985 ZELFBORGENDE MOER M14
24	110453	4		WASHER,DIN125,14-200HV-ZN	UNTERLEGSCHIEBE,DIN125,14-200HV-ZN	SLUITRING,DIN125,14-200HV-ZN
25	110459	2		SCREW,HEX,DIN933,M12X40-8.8-ZN	SKT.SCHRAUBE,DIN933,M12X40-8.8-ZN	ZESK.TAPBOUT,DIN933,M12X40-8.8-ZN

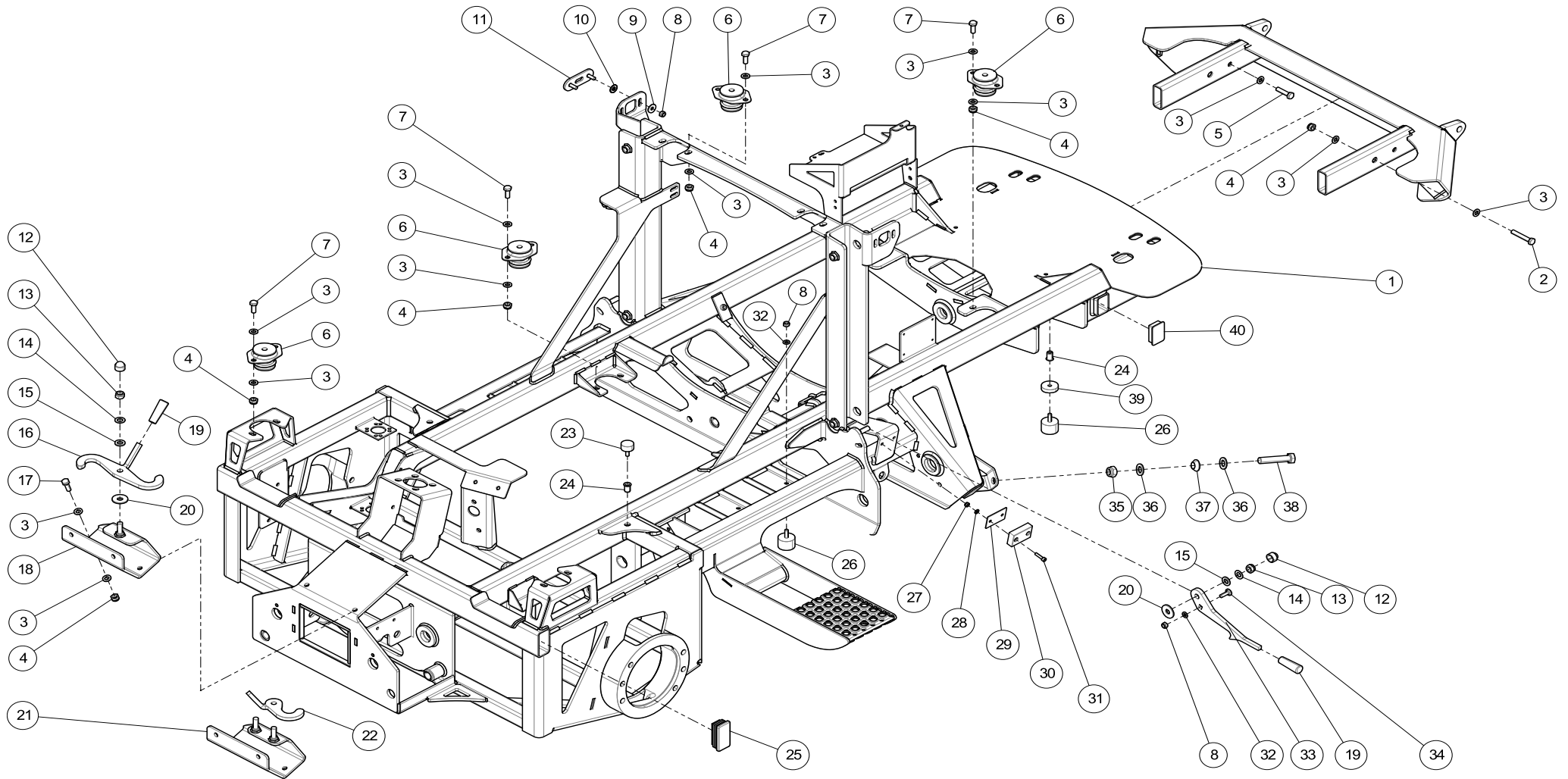
LIFT ARMS | HUBARM | DRAAGARMEN
50709-100
F5/R5



LIFT ARMS | HUBARM | DRAAGARMEN
50709-100
F5/R5

KEY	PART NO.	QTY	SERIAL NO.	DESCRIPTION	BESCHREIBUNG	OMSCHRIJVING
26	110452	2		WASHER,SPRING,DIN128,M12-ZN	FEDERRING,DIN128,M12-ZN	VEERRING,DIN128,M12-ZN
27	50678-234	1		PIVOT LIFT ARM LEFT BACK FR5	SCHARNIER TRAGARM HINTEN LINKS FR5	SCHARNIER DRAAGARM LINKS ACHTER FR5
28	110460	8		DISC SPRING-31.5X16.3X2,75 T=2	TELLERFEDER-31.5X16.3X2,75 T=2	SCHOTELVEER-31.5X16.3X2,75 T=2
29	110464	4		WASHER	UNTERLEGSCHIEBE	SCHIJF,NYLACAST OILON
30	704067	2		SHAFT,LIFT ARM	WELLE,TRAGARM	AS,DRAAGARM
31	704069	2		WASHER	UNTERLEGSCHIEBE	SLUITPLAAT
32	110222	2		SCREW,HEX,DIN933,M12X30-8.8-ZN	SKT.SCHRAUBE,DIN933,M12X30-8.8-ZN	ZESK.TAPBOUT,DIN933,M12X30-8.8-ZN
33	110449	2		SCREW,HEX,DIN931,M16X80-8.8-ZN	SKT.SCHRAUBE,DIN931,M16X80-8.8-ZN	ZESK.BOUT,DIN931,M16X80-8.8-ZN
34	50678-236	2		LIFT ARM WING FR5	TRAGARM HINTEN FR5	DRAAGARM ACHTER FR5
35	50678-235	2		BRACKET SIDE UNITS FR5	HALTER SEITENMAHUNIT FR5	HOUDER ZIJKOOIEN FR5
36	110458	2		SCREW,HEX,DIN933,M8X65-8.8-ZN	SKT.SCHRAUBE,DIN933,M8X65-8.8-ZN	ZESK.TAPBOUT,DIN933,M8X65-8.8-ZN
37	110214	4		WASHER DIN125A,M8-ZN	UNTERLEGSCHIEBE DIN125A,M8-ZN	SLUITRING DIN125A,M8-ZN
38	110461	2		ROLLER CPL.	STÜTZROLLE,KPL.	STEUNWIEL MET BUS
39	101852	2		LOCK NUT M8	MUTTER SELBSTS.VERZ M8	DIN 985 ZELFBORGENDE MOER M8
40	50678-231	1		COUPLING LIFT ARM LEFT BACK FR5	KUPPLUNG TRAGARM HINTEN LINKS FR5	KOPPELING DRAAGARM LINKS ACHTER FR5
41	111340	2		YOKE M16	GABELKOPF M16	STELGAFFEL M16
42	111342	2		NUT,FLAT,DIN439,M16-06-ZN	MUTTER,NIEDRIG,DIN439,M16-06-ZN	MOER,LAAG,DIN439,M16-06-ZN
43	704854	2		THREADED ROD,M16X330	DRAHTSTANGE,M16X330	DRAADSTANG,M16X330
44	50678-250	2		TENSIONER SOCKET,LIFT ARM WING FR5	FEDERHALTER,TRAGARM HINTEN FR5	VEERHOUDER HEFARM ACHTER FR5
45	111406	4		WASHER	UNTERLEGSCHIEBE	SLUITRING
46	111403	4		SCREW,SOC,DIN912,M5X35-8.8-ZN	ZYL.SCHRAUBE,ISK,DIN912,M5X35-8.8-ZN	CIL.BOUT,BZK,DIN912,M5X35-8.8-ZN
47	110796	4		HOSE CLAMP,TRIPLE	SCHLAUCHSCHELLE,DREIFACH	SLANGKLEM,DRIEVOUDIG
48	50678-233	1		PIVOT LIFT ARM RIGHT BACK FR5	SCHARNIER TRAGARM HINTEN RECHTS FR5	SCHARNIER DRAAGARM RECHTS ACHTER FR5
49	110275	4		WASHER DIN125A,M5-ZN	UNTERLEGSCHIEBE DIN125A,M5-ZN	SLUITRING DIN125A,M5-ZN
50	110274	4		LOCKNUT,DIN985,M5-6-ZN	SKT.SICHERUNGSMUTTER,DIN985,M5-6-ZN	ZESK.BORGMOER,DIN985,M5-6-ZN
51	50678-230	1		LIFT ARM,RIGHT WING,FR5	TRAGARM, RECHTS HINTEN,FR5	DRAAGARM,RECHTS ACHTER,FR5

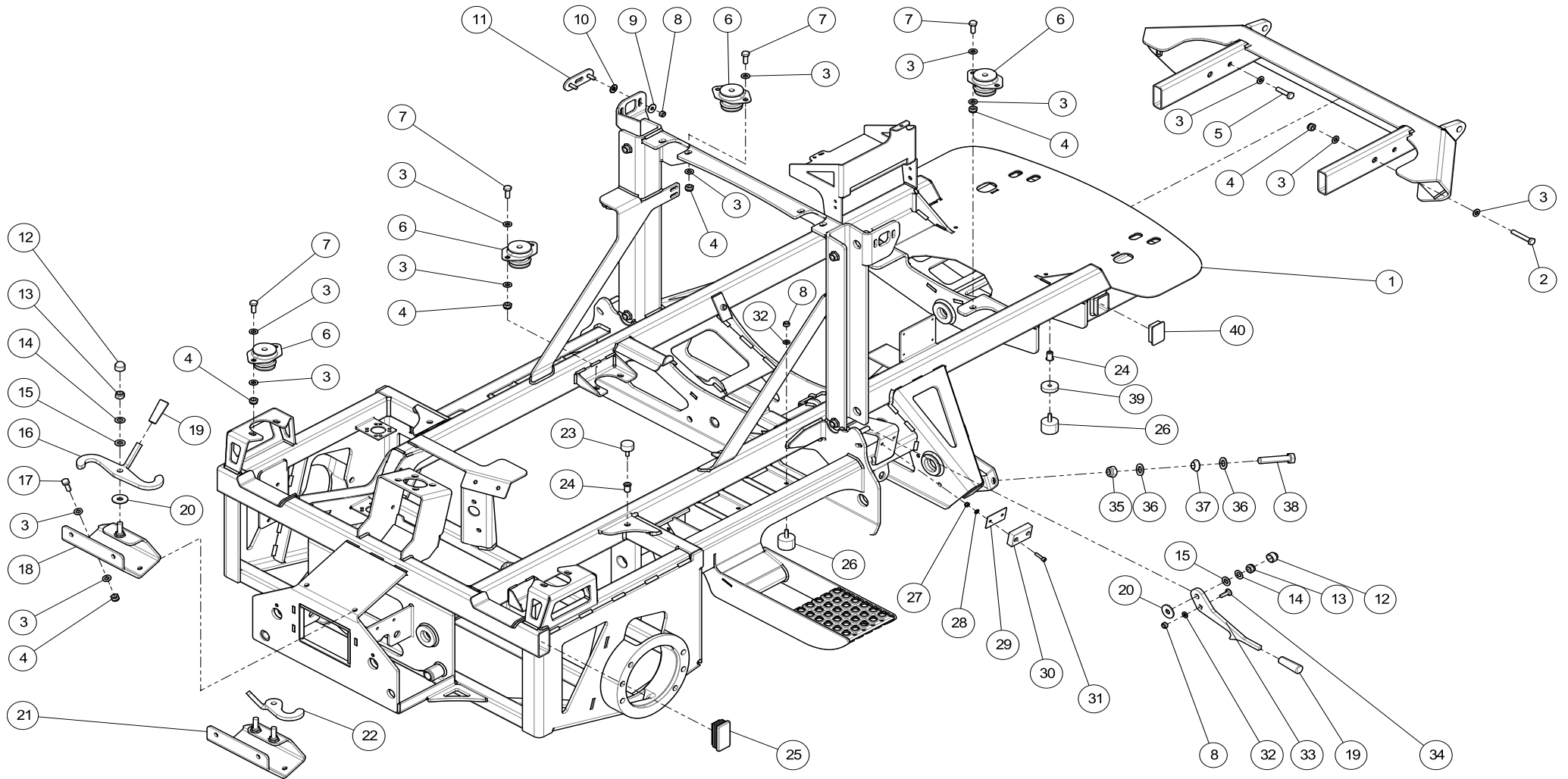
FRAME | RAHMEN | FRAME
50703-100
F5/R5



FRAME | RAHMEN | FRAME
50703-100
F5/R5

KEY	PART NO.	QTY	SERIAL NO.	DESCRIPTION	BESCHREIBUNG	OMSCHRIJVING
1	50703-200	1		FRAME FR5	RAHMEN FR5	FRAME FR5
2	110423	2		SCREW,HEX,DIN931,M10X60-8.8-ZN	SKT.SCHRAUBE,DIN931,M10X60-8.8-ZN	ZESK.BOUT,DIN931,M10X60-8.8-ZN
3	110200	42		WASHER DIN125A,M10-ZN	UNTERLEGSCHIEBE DIN125A,M10-ZN	SLUITRING DIN125A,M10-ZN
4	101853	20		LOCK NUT M10	MUTTER SELBSTS.VERZ M10	DIN 985 ZELFBORGENDE MOER M10
5	110495	2		SCREW,HEX,DIN933,M10X40-8.8-ZN	SKT.SCHRAUBE,DIN933,M10X40-8.8-ZN	ZESK.TAPBOUT,DIN933,M10X40-8.8-ZN
6	110508	8		VIBRATION DAMPER K56HNK-70SHORE	SCHWINGUNGSDAEMPFER K56HNK-70SHORE	TRILLINGDEMPEM K56HNK-70SHORE
7	110070	16		SCREW,HEX	SKT.SCHRAUBE	ZESK.TAPBOUT
8	101852	8		LOCK NUT M8	MUTTER SELBSTS.VERZ M8	DIN 985 ZELFBORGENDE MOER M8
9	110201	4		WASHER,DIN9021-M8-ZN	UNTERLEGSCHIEBE,DIN9021-M8-ZN	SLUITRING,DIN9021-M8-ZN
10	704111	4		WASHER,DOUBLE SERRATED	FACHERSCHEIBE,DOPPELT	TANDVEERRING,DUBBEL
11	50703-210	1		ADJUSTER,TANK FR5	VERSTELLER,TANK FR5	VERSTELLER,TANK FR5
12	110506	3		PROTECTION CAP M12	SCHUTZKAPPE M12	BESCHERMKAP M12
13	101854	3		LOCK NUT M12	MUTTER SELBSTS.VERZ M12	DIN 985 ZELFBORGENDE MOER M12
14	110497	3		WASHER,SPRING,DIN137-M12-ZN	FEDERRING,DIN137-M12-ZN	VEERRING,DIN137-M12-ZN
15	110230	3		WASHER DIN125A,M12-ZN	UNTERLEGSCHIEBE DIN125A,M12-ZN	SLUITRING DIN125A,M12-ZN
16	50711-201	1	-**W0022	LATCH,FRONT LIFT ARM,M3	SPERRHAKEN,TRAGARM VORNE,M3	VERGREDELINGSHAAK,DRAAGARM VOOR,M3
17	110494	2		SCREW,HEX,DIN933,M10X30-8.8-ZN	SKT.SCHRAUBE,DIN933,M10X30-8.8-ZN	ZESK.TAPBOUT,DIN933,M10X30-8.8-ZN
18	50711-205	1	-**W0022	ROLLER SUPPORT FRAME F3	ROLLENHALTER RAHMEN F3	ROLLENHOUDER FRAME F3
19	110509	3		GRIP	GRIFF	HANDVAT
20	110315	3		WASHER,DIN9021-M12-ZN	UNTERLEGSCHIEBE,DIN9021-M12-ZN	SLUITRING,DIN9021-M12-ZN
21	50703-201	1	**X0001 -	ROLLER SUPPORT FRAME	ROLLENHALTER RAHMEN	ROLLENHOUDER FRAME
22	704104	2	**X0001 -	LATCH,FRONT LIFT ARM	SPERRHAKEN,TRAGARM VORNE	VERGREDELINGSHAAK,DRAAGARM VOOR
23	102770	2		VIBRATION DAMPER TYPE D	VIBRATIONSDAEMPFER TYP D	TRILLINGSDEMPEM TYPE D
24	110504	4		BLIND RIVET NUT,ALS3T-8125-3.8-7.9MM	BLINDNIETMUTTER,ALS3T-8125-3.8-7.9MM	BLINDKLINKMOER,ALS3T-8125-3.8-7.9MM
25	103161	2		PLASTIC CAP RECT. 80X40MM	VERSCHLUBK. RECHTECK. 80X40MM	INZETSTUK RECHTHOEK 40X80MM

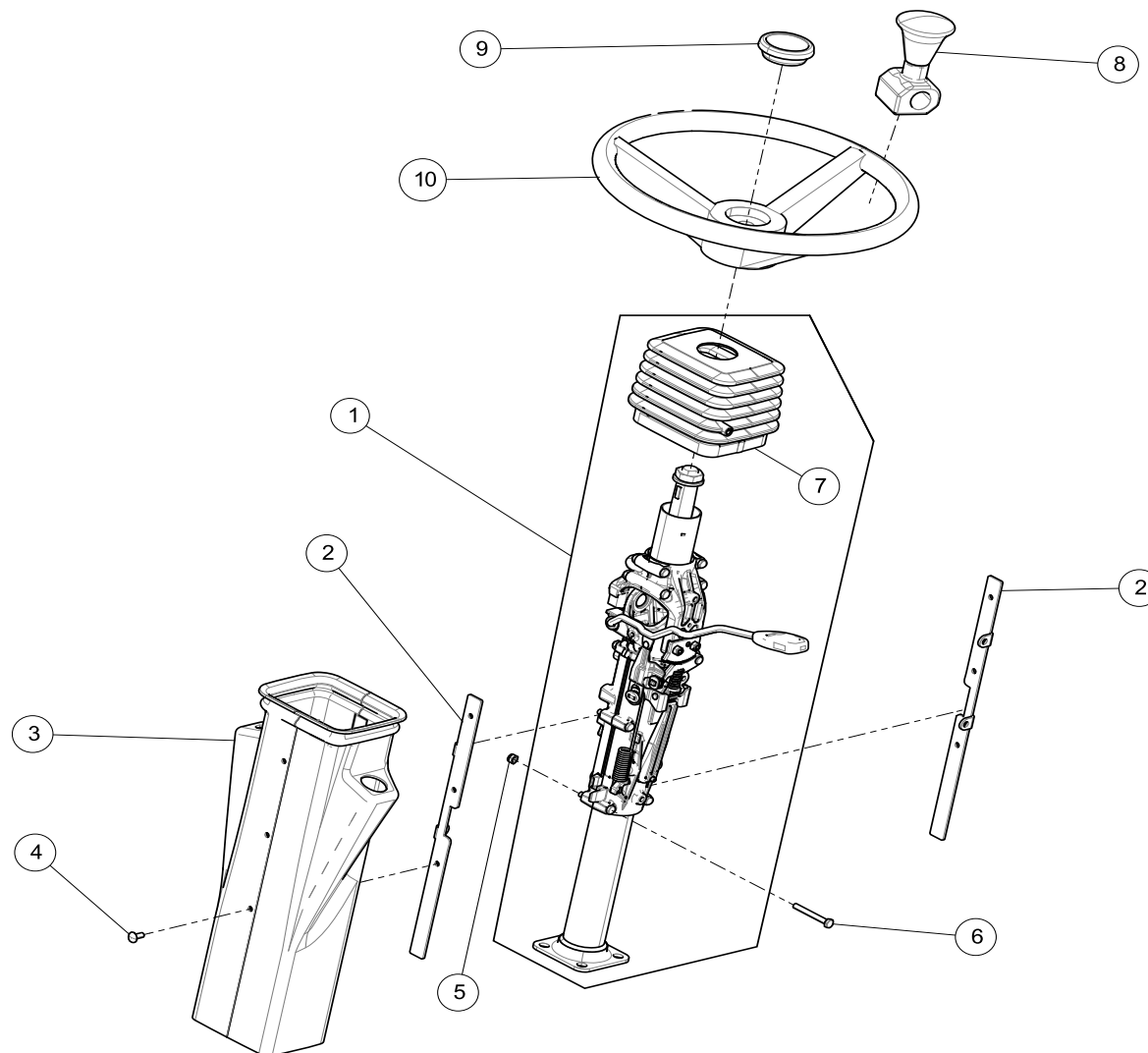
FRAME | RAHMEN | FRAME
50703-100
F5/R5



FRAME | RAHMEN | FRAME
50703-100
F5/R5

KEY	PART NO.	QTY	SERIAL NO.	DESCRIPTION	BESCHREIBUNG	OMSCHRIJVING
26	103077	4		VIBRATION DAMPER TYPE D	VIBRATIONS DÄMPFER TYP D	TRILLINGSDEMPEMPEER TYPE D Ø40X28 M8X23
27	101851	6		LOCK NUT M6	MUTTER SELBSTS.VERZ M6	DIN 985 ZELFBORGENDE MOER M6
28	110073	7		WASHER	UNTERLEGSCHIEBE	SLUITRING
29	50703-380	2		SPACER PLATE,STOP	UNTERLEGPLATTE,ANSCHLAG	OPVULPLAAT,AANSLAG
30	704102	2		STOP SIDE ARM FR5	ANSCHLAG SEITENARM FR5	AANSLAG ZIJARM FR5
31	110498	4		SCREW,SOC,DIN912,M6X1X25-8.8-ZN	ZYL.SCHRAUBE,ISK,DIN912,M6X25-8.8-ZN	CIL.BOUT,BZK,DIN912,M6X25-8.8-ZN
32	110214	8		WASHER DIN125A,M8-ZN	UNTERLEGSCHIEBE DIN125A,M8-ZN	SLUITRING DIN125A,M8-ZN
33	704103	2		LATCH,SIDE UNIT,FR5	LASCHE,SEITENMAHUNIT,FR5	STRIP,ZIJKOOIEN,FR5
34	110213	2		BOLT,RH,SQNECK,DIN603,M8X25-8.8-ZN	FLACHRUNDSCHRAUBE,DIN603,M8X25-8.8-ZN	SLOTBOUT,DIN603,M8X25-8.8-ZN
35	101856	2		LOCK NUT M16	MUTTER SELBSTS.VERZ M16	DIN 985 ZELFBORGENDE MOER M16
36	108429	4		WASHER	UNTERLEGSCHIEBE	SLUITRING
37	704066	2		SPACER	DISTANZBUECHSE	AFSTANDBUS
38	110449	2		SCREW,HEX,DIN931,M16X80-8.8-ZN	SKT.SCHRAUBE,DIN931,M16X80-8.8-ZN	ZESK.BOUT,DIN931,M16X80-8.8-ZN
39	704112	2		SPACER	DISTANZSCHEIBE	AFSTANDSRING,FRAME
40	110507	2		PLASTIC CAP RECT. 60X40MM	VERSCHLUßK. RECHTECK. 60X40MM	INZETSTUK RECHTHOEK 60X40MM

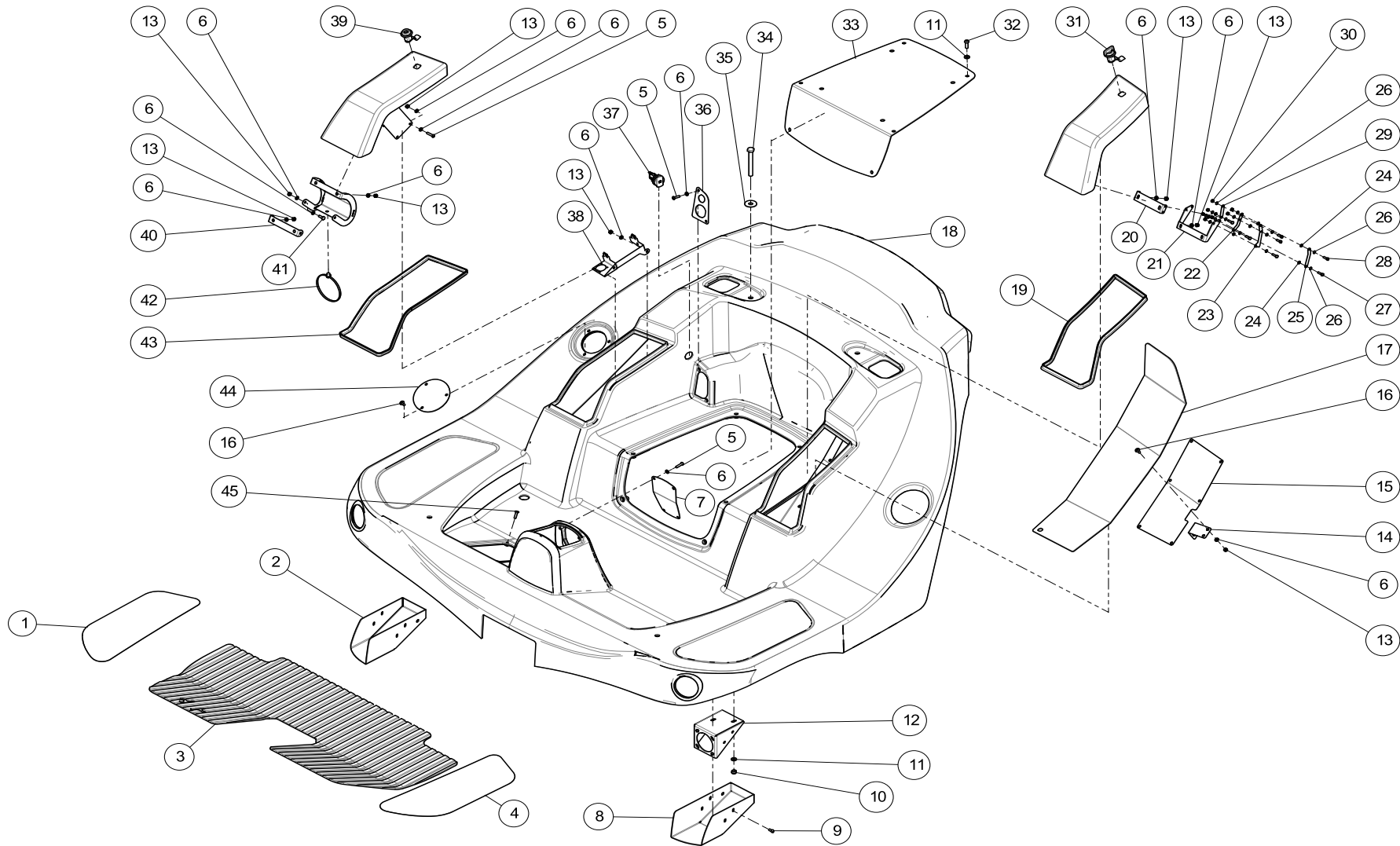
STEERING COLOMN | LENKSAULE | STUURKOLOM
50710-104
F5/R5



STEERING COLOMN | LENKSAULE | STUURKOLOM
50710-104
F5/R5

KEY	PART NO.	QTY	SERIAL NO.	DESCRIPTION	BESCHREIBUNG	OMSCHRIJVING
1	110512	1		STEERING SHAFT	LENKSÄULE	STUURKOLOM
2	704115	1		BRACKET STEERING COLUMN	HALTER LENKSAULE	HOUDER STUURKOLOM
3	50710-105	1		COVERING STEERING COLUMN FR5	VERKLEIDUNG LENKSAULE FR5	BEKLEDING STUURKOLOM FR5
4	110515	6		PUSH PLUG,STEERING COLUMN	TREIBSTIFT,LENKSAULEHALTER	DRUKNAGEL STUURKOLOMHOUDER
5	101851	4		LOCK NUT M6	MUTTER SELBSTS.VERZ M6	DIN 985 ZELFBORGENDE MOER M6
6	110496	4		SCREW,HEX,DIN931,M6X50-8.8-ZN	SKT.SCHRAUBE,DIN931,M6X50-8.8-ZN	ZESK.BOUT,DIN931,M6X50-8.8-ZN
7	110514	1		BOOT RUBBER STEERING COLUMN	BALGEN GUMMI STEUERSAULE	BALG RUBBER STUURKOLOM
8	110513	1		KNOB	KNOPF	STUURKNOP
9	101204	1		STEERING WHEEL CAP F. Ø300/350	LENKRADKAPPE FÜR Ø300/350	STUURWIELDOP VOOR Ø300/350
10	110511	1		STEERING WHEEL	LENKRAD	STUURWIEL

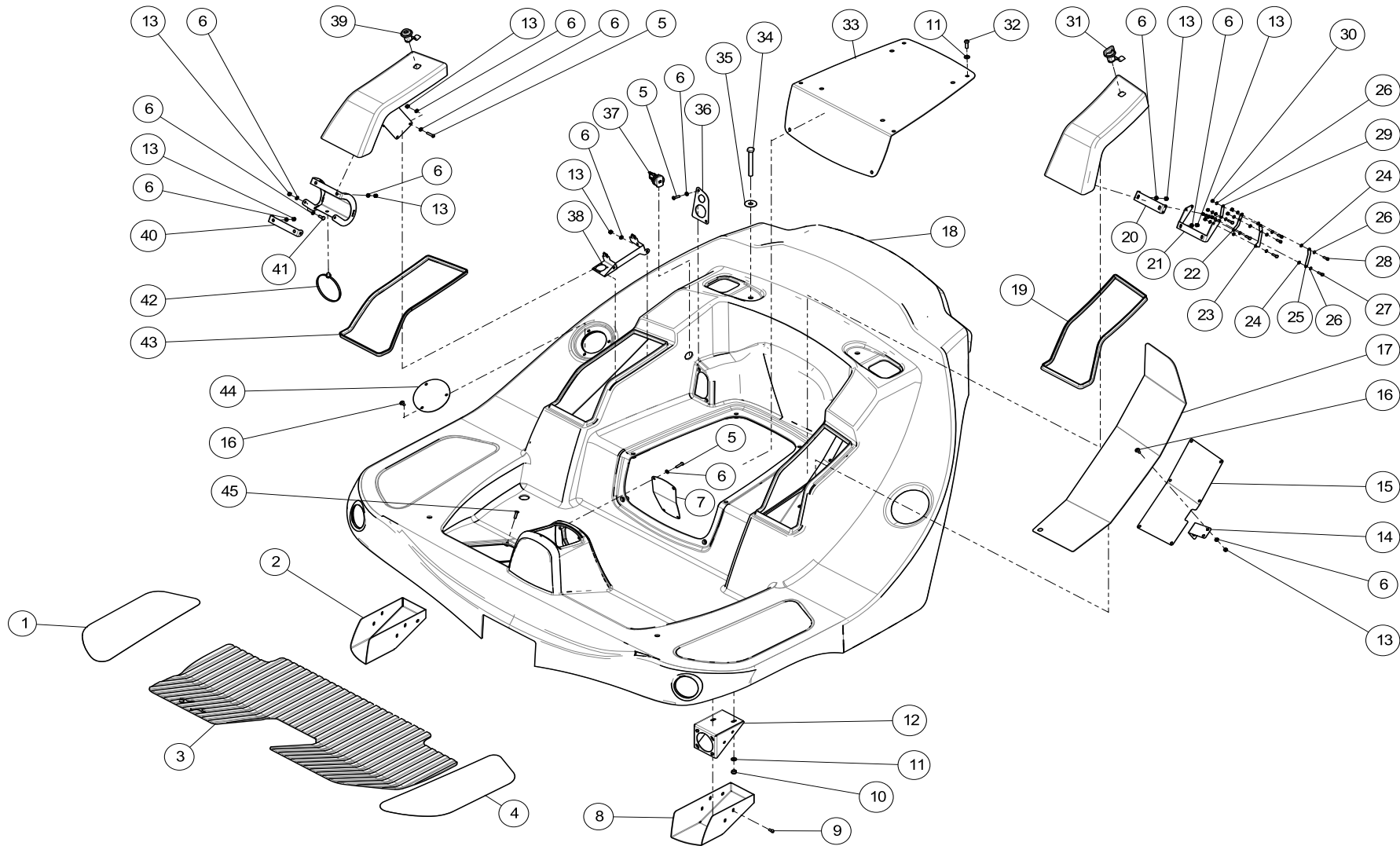
BODY | KAROSSERIE | CARROSSERIE
50708-100
F5/R5



BODY | KAROSSERIE | CARROSSERIE
50708-100
F5/R5

KEY	PART NO.	QTY	SERIAL NO.	DESCRIPTION	BESCHREIBUNG	OMSCHRIJVING
1	704147	1		NON SKID MAT,RIGHT,M3	ANTIRUTSCHBELAG RECHTS,M3	ANTI-SLIPMAT RECHTS,M5
2	50708-223	1		COVER LIGHT RIGHT FR5	ABDECKUNG LEUCHTE RECHTS FR5	AFDEKKING VERLICHTING RECHTS FR5
3	704149	1		MAT,RUBBER,PLATFORM FR5	GUMMIMATTE,PLATFORM FR5	RUBBERMAT,VOETKUIP FR5
4	704146	1		NON SKID MAT,LEFT,M3	ANTIRUTSCHBELAG LINKS,M3	ANTI-SLIPMAT LINKS,M5
5	110520	10		SCREW,SOC,ISO7380,M6X25-8.8-ZN	SCHRAUBE,ISK,ISO7380,M6X25-8.8-ZN	BOUT,BZK,ISO7380,M6X25-8.8-ZN
6	110073	38		WASHER	UNTERLEGSCHIEBE	SLUITRING
7	50703-360	1		BRACKET,FRAME FR5	HALTER,RAHMEN FR5	HOUDER,FRAME FR5
8	50708-222	1		COVER LIGHT LEFT FR5	ABDECKUNG LEUCHTE LINKS FR5	AFDEKKING VERLICHTING LINKS FR5
9	110519	8		SCREW,SOC,ISO7380,M6X12-8.8-ZN	SCHRAUBE,ISK,ISO7380,M6X12-8.8-ZN	BOUT,BZK,ISO7380,M6X12-8.8-ZN
10	101852	9		LOCK NUT M8	MUTTER SELBSTS.VERZ M8	DIN 985 ZELFBORGENDE MOER M8
11	110214	16		WASHER DIN125A,M8-ZN	UNTERLEGSCHIEBE DIN125A,M8-ZN	SLUITRING DIN125A,M8-ZN
12	50708-217	2		BRACKET,LAMP FR5	STUETZE,LEUCHTE FR5	HOUDER,VERLICHTING FR5
13	101851	41		LOCK NUT M6	MUTTER SELBSTS.VERZ M6	DIN 985 ZELFBORGENDE MOER M6
14	704156	1		MOUNTING PLATE,WARNING BUZZER	MONTAGEPLATTE,SIGNALGEBER	MONTAGEPLAAT,SIGNAALGEVER
15	704116	1		PLATE TOOLBOX,FR5	PLATTE WERKZEUGKASTEN,FR5	PLAAT GEREEDSCHAPSKIST,FR5
16	110485	11		SCREW,SOC,ISO7380-2,M6X16-8.8-ZN	SCHRAUBE,ISK,ISO7380-2,M6X16-8.8-ZN	BOUT,BZK,ISO7380-2,M6X16-8.8-ZN
17	704145	1		MAT,RUBBER,TOOLBOX FR5	GUMMIMATTE,WERKZEUGKASTEN FR5	RUBBERMAT,GEREEDSCHAPSKIST FR5
18	50708-101	1		PLATFORM FR5,CPL.	PLATTFORM FR5,KPL.	VOETKUIP FR5,KPL.
19	704040	1		RIM PROTECTION	KANTENSCHUTZ	KANTPROFIEL
20	704134	1		COVER PLATE,TOOLBOX HINGE FR5	ABDECKPLATTE,WEKZEUGKASTENSCHARNIER FR5	AFDEKPLAAT,GEREEDSCHAPSKISTENSCHARNIER FR5
21	704135	1		MOUNTING PLATE,TOOLBOX HINGE FR5	MONTAGEPLATTE,WEKZEUGKASTENSCHARNIER FR5	MONTAGEPLAAT,GEREEDSCHAPSKISTENSCHARNIER
22	704139	2		REAR PLATE,TOOLBOX HINGE FR5	HINTERPLATTE,WEKZEUGKASTENSCHARNIER FR5	ACHTERPLAAT,GEREEDSCHAPSKISTENSCHARNIER
23	704137	2		REAR PLATE,TOOLBOX HINGE FR5	HINTERPLATTE,WEKZEUGKASTENSCHARNIER FR5	ACHTERPLAAT,GEREEDSCHAPSKISTENSCHARNIER
24	110523	14		WASHER,DIN433,M5-NYLON-BLACK	UNTERLEGSCHIEBE,DIN433,M5-NYLON-SCHWARZ	SLUITRING,DIN433,M5-NYLON-ZWART
25	704136	2		FRONT PLATE,TOOLBOX HINGE FR5	FRONTPLATTE,WEKZEUGKASTENSCHARNIER FR5	VOORPLAAT,GEREEDSCHAPSKISTENSCHARNIER

BODY | KAROSSERIE | CARROSSERIE
50708-100
F5/R5



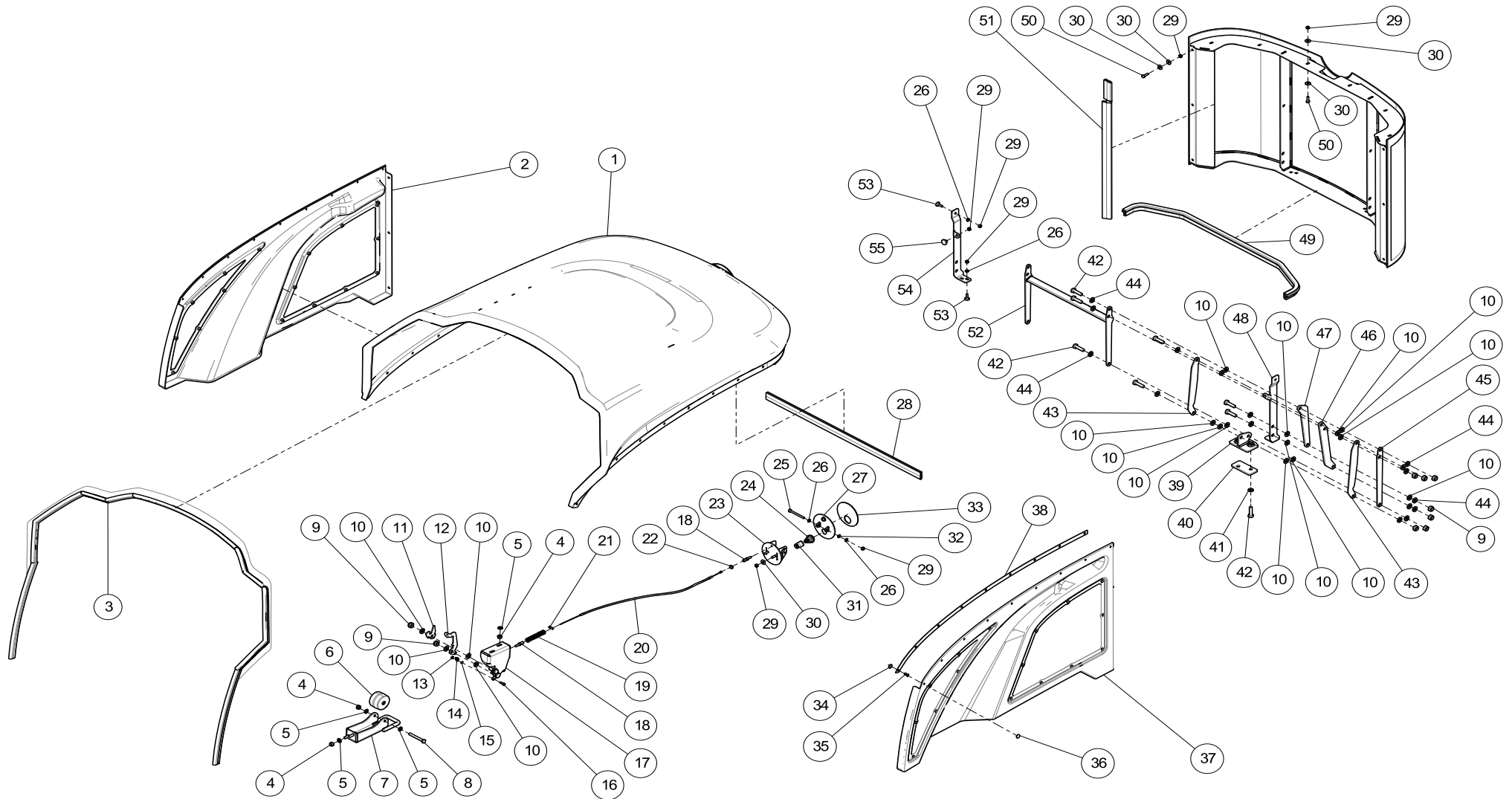
BODY | KAROSSERIE | CARROSSERIE

50708-100

F5/R5

KEY	PART NO.	QTY	SERIAL NO.	DESCRIPTION	BESCHREIBUNG	OMSCHRIJVING
26	110275	28		WASHER DIN125A,M5-ZN	UNTERLEGSSCHEIBE DIN125A,M5-ZN	SLUITRING DIN125A,M5-ZN
27	110422	10		SCREW,HEX,DIN933,M5X16-8.8-ZN	SKT.SCHRAUBE,DIN933,M5X16-8.8-ZN	ZESK.TAPBOUT,DIN933,M5X16-8.8-ZN
28	110518	6		SCREW,SOC,ISO7380,M5X16-8.8-ZN	SCHRAUBE,ISK,ISO7380,M5X16-8.8-ZN	BOUT,BZK,ISO7380,M5X16-8.8-ZN
29	704138	2		FRONT PLATE,TOOLBOX HINGE FR5	FRONTPLATTE,WEKZEUGKASTENSCHARNIER FR5	VOORPLAAT,GEREEDSCHAPSKISTSCHARNIER
30	110274	16		LOCKNUT,DIN985,M5-6-ZN	SKT.SICHERUNGSMUTTER,DIN985,M5-6-ZN	ZESK.BORGMOER,DIN985,M5-6-ZN
31	110536	1		LOCK TOOLBOX FR5	SCHLOSS WERKZEUGKASTEN FR5	SLOT GEREEDSCHAPSKIST FR5
32	110521	6		SCREW,SOC,ISO7380,M8X25-10.9-ZN	SCHRAUBE,ISK,ISO7380,M8X25-10.9-ZN	BOUT,BZK,ISO7380,M8X25-10.9-ZN
33	704153	1		PLATE SEAT,PLATFORM FR5	PLATTE SITZ,PLATTFORM FR5	PLAAT STOEL,VOETKUIP FR5
34	111005	4		SCREW,HEX,DIN931,M12X100-8.8-ZN	SKT.SCHRAUBE,DIN931,M12X100-8.8-ZN	ZESK.BOUT,DIN931,M12X100-8.8-ZN
35	111107	4		MUDGUARD WASHER,M12X36X2-ZN	KOTFLUGELSCHEIBE,M12X36X2-ZN	CARROSSERIERING,M12X36X2-ZN
36	704152	1		PLATE,CONTACT SEAT,PLATFORM FR5	PLATTE,KONTAKT SITZ,PLATTFORM FR5	PLAAT,CONTACT STOEL,VOETKUIP FR5
37	110534	1		CONNECTOR 12V	ANSCHLUSS 12V	AANSLUITING 12V
38	50708-224	1		HOLDER,FUSEBOX	HALTER,SICGERUNGSKASTEN	HOUDER,ZEKERINGSDOOS
39	110537	1		LOCK COVER RIGHT FR5	SCHLOSS DECKEL RECHTS FR5	SLOT DEKSEL RECHTS FR5
40	704155	1		HINGE PLATE M3	SCHARNIERPLATTE M3	SCHARNIERPLAAT M3
41	110516	2		SCREW,HEX,DIN933,M6X16-8.8-ZN	SKT.SCHRAUBE,DIN933,M6X16-8.8-ZN	ZESK.TAPBOUT,DIN933,M6X16-8.8-ZN
42	110484	1		FIXING TIE WITH FIR TREE	BEFESTIGUNGSBINDER MIT LAMELLENFUSS	BEVESTIGINGSBAND MET LAMELVOET
43	704040	1		RIM PROTECTION	KANTENSCHUTZ	KANTPROFIEL
44	704148	1		COVER,HYDRAULIC TANK FR5	DECKEL,OELBEHALTER FR5	DEKSEL,HYDROTANK FR5
45	110225	4		SCREW,CTSK,DIN7991,M6X20-8.8-ZN	SCHRAUBE,SENK,ISK,DIN7991,M6X20-8.8-ZN	BOUT,VERZ,BZK,DIN7991,M6X20-8.8-ZN

BODY | KAROSSERIE | CARROSSERIE
50708-100
F5/R5



BODY | KAROSSERIE | CARROSSERIE

50708-100

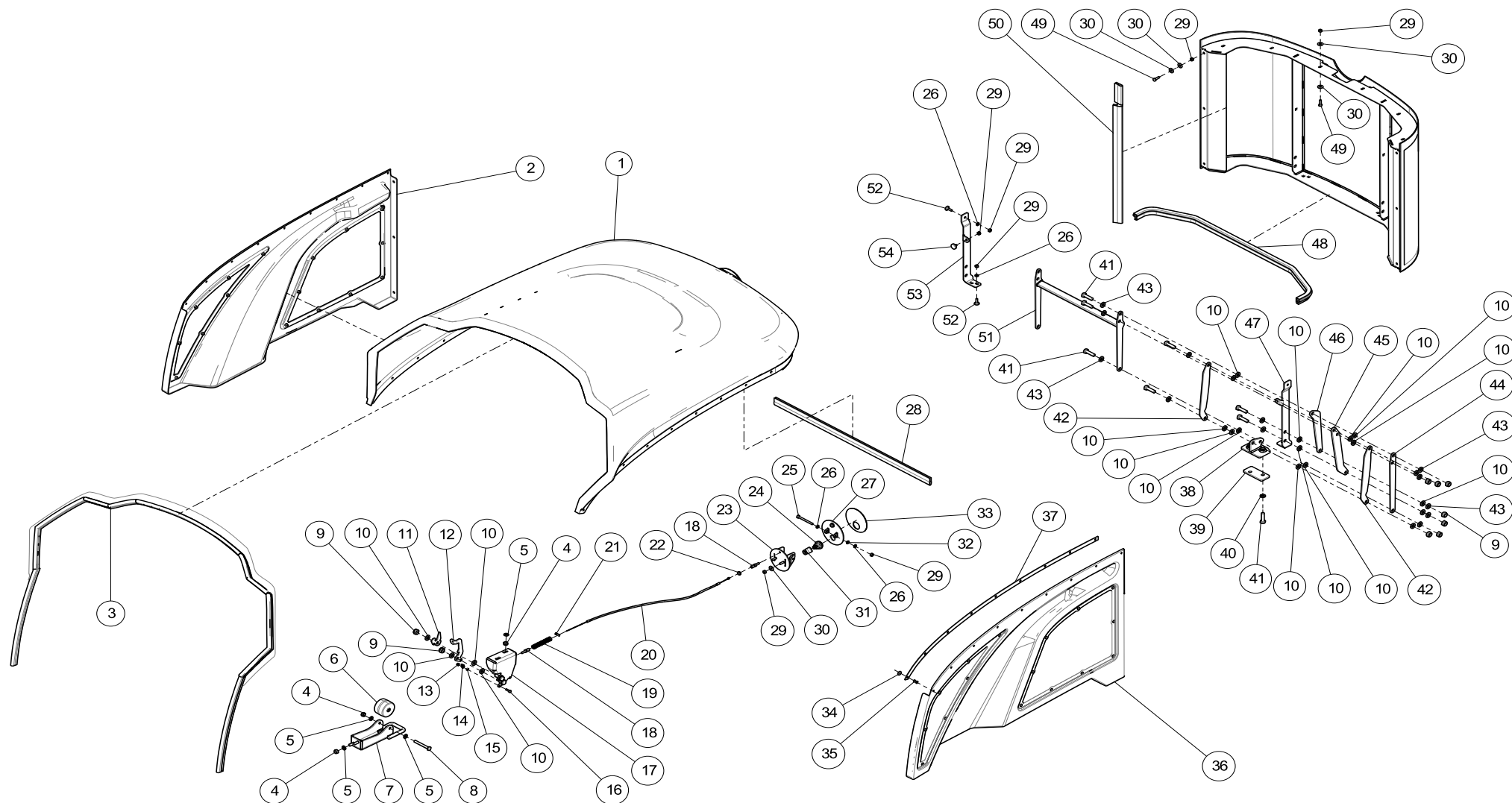
F5/R5

KEY	PART NO.	QTY	SERIAL NO.	DESCRIPTION	BESCHREIBUNG	OMSCHRIJVING
1	50708-102	1		HOOD FR5,CPL.	MOTORHAUBE FR5,KPL.	MOTORKAP FR5,KPL.
2	50708-107	1		SIDE PANEL RIGHT CPL. FR5	SEITENPLATTE RECHTS KPL. FR5	ZIJPLAAT RECHTS KPL. FR5
3	110542	1		SEALING TRIM	KEDER	KANTPROFIEL
4	101852	9		LOCK NUT M8	MUTTER SELBSTS.VERZ M8	DIN 985 ZELFBORGENDE MOER M8
5	110214	16		WASHER DIN125A,M8-ZN	UNTERLEGSCHIEBE DIN125A,M8-ZN	SLUITRING DIN125A,M8-ZN
6	110461	1		ROLLER CPL.	STÜTZROLLE,KPL.	STEUNWIEL MET BUS
7	50708-201	1		REINFORCEMENT,HINGE FR5	VERSTAERKUNG,SCHARNIER FR5	VERSTERKING,SCHARNIER FR5
8	110458	1		SCREW,HEX,DIN933,M8X65-8.8-ZN	SKT.SCHRAUBE,DIN933,M8X65-8.8-ZN	ZESK.TAPBOUT,DIN933,M8X65-8.8-ZN
9	101853	16		LOCK NUT M10	MUTTER SELBSTS.VERZ M10	DIN 985 ZELFBORGENDE MOER M10
10	110524	32		WASHER,DIN433,M10-NYLON-BLACK	UNTERLEGSCHIEBE,DIN433,M10-NYLON-SCHWARZ	SLUITRING,DIN433,M10-NYLON-ZWART
11	110544	1		PLATE,SMALL,LOCKING MESCHANISM FR5	PLATTE,KURZ,VERSCHLUSSVORRICHTUNG FR5	PLAAT,KORT,SLUITMECHANISME FR5
12	704133	1		PLATE,LONG,LOCK HOOD FR5	PLATTE,LANG,VERSCHLUSS HAUBE FR5	PLAAT,LANG,SLUITING MOTORKAP FR5
13	110274	16		LOCKNUT,DIN985,M5-6-ZN	SKT.SICHERUNGSMUTTER,DIN985,M5-6-ZN	ZESK.BORGMOER,DIN985,M5-6-ZN
14	110539	2		SPRING,LATCH FR5	FEDER,LASCHE FR5	VEER,STRIP FR5
15	110522	2		NUT,HEX,DIN934,M5-8-ZN	MUTTER,HEX,DIN934,M5-8-ZN	ZESK.MOER,DIN934,M5-8-ZN
16	110422	10		SCREW,HEX,DIN933,M5X16-8.8-ZN	SKT.SCHRAUBE,DIN933,M5X16-8.8-ZN	ZESK.TAPBOUT,DIN933,M5X16-8.8-ZN
17	50708-220	1		LOCK,EXCENTRIC	VERSCHLUSS,EXZENTER	SLUITING,EXCENTER
18	101325	2		ADJUSTING SCREW M6	STELLSCHRAUBE M6	STELSCHROEF M6 (TBV STOPKABEL)
19	110538	1		SPRING,RETRACTION HOOD HINGE	DRUCKFEDER,	DRUKVEER,
20	704125	1		CABLE,HOOD FR5	KABEL,MOTORHAUBE FR5	KABEL,MOTORKAP FR5
21	0081.1557	1		CABLE ADJUSTING SCREW DIA6MM	KABELSTELLSCHRAUBE DIA6MM	KABELSTELSCHROEF DIA6 ZESK.BOUT) D341
22	111590	1		GROMMET	TULLE	TULE
23	50708-214	1		LOCK MOUNT,HOOD FR5	SCHLOSSAUFNAHME,MOTORHAUBE FR5	SLOTBEVESTIGING,MOTORKAP FR5
24	110531	1		LOCK,HOOD FR5	SCHLOSS,MOTORHAUBE FR5	SLOT,MOTORKAP FR5
25	110517	1		SCREW,HEX,DIN931,M6X65-8.8-ZN	SKT.SCHRAUBE,DIN931,M6X65-8.8-ZN	ZESK.BOUT,DIN931,M6X65-8.8-ZN

BODY | KAROSSERIE | CARROSSERIE

50708-100

F5/R5



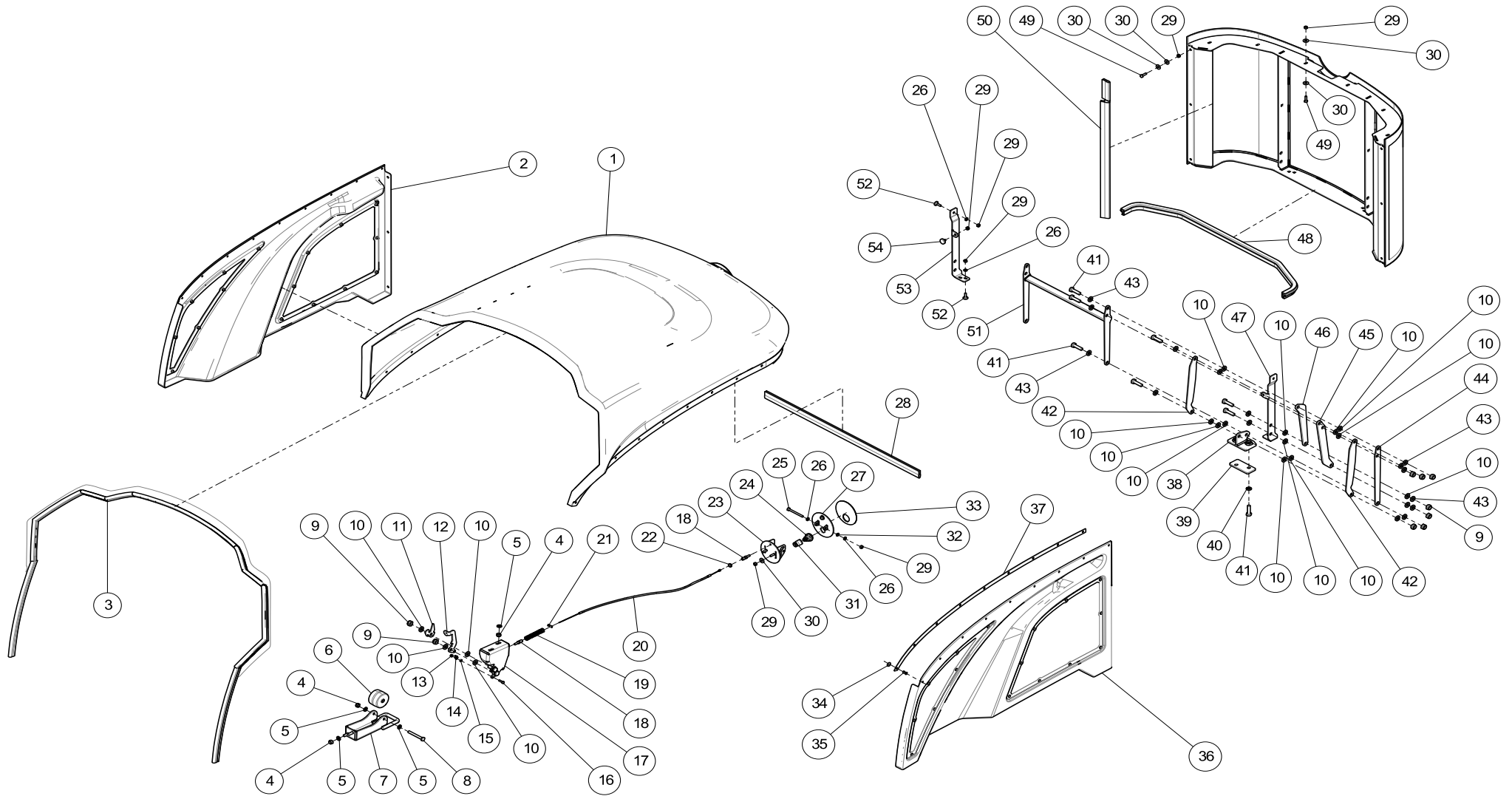
BODY | KAROSSERIE | CARROSSERIE

50708-100

F5/R5

KEY	PART NO.	QTY	SERIAL NO.	DESCRIPTION	BESCHREIBUNG	OMSCHRIJVING
26	110073	38		WASHER	UNTERLEGSCHIEBE	SLUITRING
27	50708-216	1		LEVER,HOOD FR5	HEBEL,MOTORHAUBE FR5	HENDEL,MOTORKAP FR5
28	110543	1		SEALING TRIM	KEDER	KANTPROFIEL
29	101851	41		LOCK NUT M6	MUTTER SELBSTS.VERZ M6	DIN 985 ZELFBORGENDE MOER M6
30	110420	26		WASHER,DIN9021-M6-ZN	UNTERLEGSCHIEBE,DIN9021-M6-ZN	SLUITRING,DIN9021-M6-ZN
31	704140	1		LATCH,HOOD LOCK FR5	VERRIEGELUNG,MOTORHAUBESCHLOSS FR5	VERGRENDELING,MOTORKAPSLLOT FR5
32	110540	2		BUSHING,LOCK,HOOD FR5	BUECHSE,SCHLOSS,MOTORHAUBE FR5	BUS,SLOT,MOTORKAP FR5
33	704154	1		DECAL "ROBERINE" ROUND 89MM	AUFKLEBER "ROBERINE" RUND 89MM	STICKER "ROBERINE" ROND 89MM
34	110525	18		WASHER,DIN9021-M4-ZN	UNTERLEGSCHIEBE,DIN9021-M5-ZN	SLUITRING,DIN9021-M5-ZN
35	0081.1643	18		RIVET,BLIND 4,8X16MM	BLINDNIETE 4,8X16MM	BLINDKLINKNAGEL 4,8X16MM
36	50708-106	1		SIDE PANEL LEFT CPL. FR5	SEITENPLATTE LINKS KPL. FR5	ZIJPLAAT LINKS KPL. FR5
37	704131	1		STRIP,SIDE PANEL FR5	STREIFEN,SEITENPLATTE FR5	STRIP,ZIJPANEEL FR5
38	50708-200	2		HINGE GRILLE,FR5	SCHARNIER GITTER,FR5	SCHARNIER MOTORKAPGAAS,FR5
39	704132	2		BACK PLATE	HINTERPLATTE	ACHERTERPLAAT
40	110198	4		WASHER,SPRING,DIN128,M10-ZN	FEDERRING,DIN128,M10-ZN	VEERRING,DIN128,M10-ZN
41	110332	18		SCREW,HEX,DIN933,M10X35-8.8-ZN	SKT.SCHRAUBE,DIN933,M10X35-8.8-ZN	ZESK.TAPBOUT,DIN933,M10X35-8.8-ZN
42	704141	4		STRIP,HINGE GRILLE FR5	STREIFEN,SCHARNIER GITTER FR5	STRIP,SCHARNIER MOTORKAPGAAS FR5
43	110200	28		WASHER DIN125A,M10-ZN	UNTERLEGSCHIEBE DIN125A,M10-ZN	SLUITRING DIN125A,M10-ZN
44	704142	2		PLATE,HINGE GRILL FR5	PLATTE,SCHARNIER GITTER FR5	PLAAT,SCHARNIER MOTORKAPGAAS FR5
45	704143	2		STRIP,HINGE GRILLE FR5	STREIFEN,SCHARNIER GITTER FR5	STRIP,SCHARNIER MOTORKAPGAAS FR5
46	704144	2		STRIP,HINGE GRILLE FR5	STREIFEN,SCHARNIER GITTER FR5	STRIP,SCHARNIER MOTORKAPGAAS FR5
47	704150	1		REINFORCEMENT HINGE LEFT,GRILL FR5	VERSTARKUNG SCHARNIER LINKS,GITTER FR5	VERSTERKING SCHARNIER L,MOTORKAPGAAS FR5
48	112227	1		SEALING TRIM,HOOD 1150MM	KEDER,HAUBE 1150MM	KANTPROFIEL,MOTORKAP 1150MM
49	110373	12		SCREW,HEX,DIN933,M6X20-8.8-ZN	SKT.SCHRAUBE,DIN933,M6X20-8.8-ZN	ZESK.TAPBOUT,DIN933,M6X20-8.8-ZN
50	110543	1		SEALING TRIM	KEDER	KANTPROFIEL

BODY | KAROSSERIE | CARROSSERIE
50708-100
F5/R5

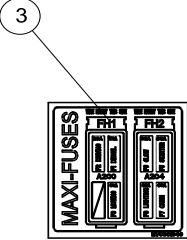
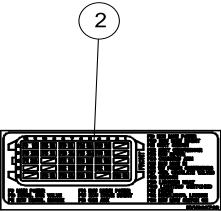
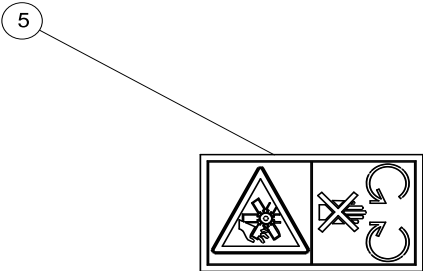
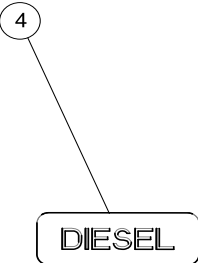
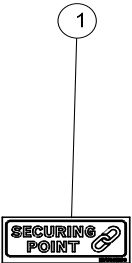
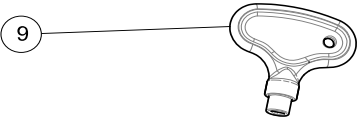


BODY | KAROSSERIE | CARROSSERIE
50708-100
F5/R5

KEY	PART NO.	QTY	SERIAL NO.	DESCRIPTION	BESCHREIBUNG	OMSCHRIJVING
51	50708-201	1		REINFORCEMENT,HINGE FR5	VERSTAERKUNG,SCHARNIER FR5	VERSTERKING,SCHARNIER FR5
52	110358	6		BOLT,RH,SQNECK,DIN603,M6X20-8.8-ZN	FLACHRUNDSCHRAUBE,DIN603,M6X20-8.8-ZN	SLOTBOUT,DIN603,M6X20-8.8-ZN
53	704151	1		REINFORCEMENT HINGE RIGHT,GRILL FR5	VERSTARKUNG SCHARNIER RECHTS,GITTER FR5	VERSTERKING SCHARNIER R,MOTORKAPGAAS FR5
54	110541	2		VIBRATION DAMPENER	GUMMIPUFFER	TRILLINGDEMPER

50708-104

F5/R5



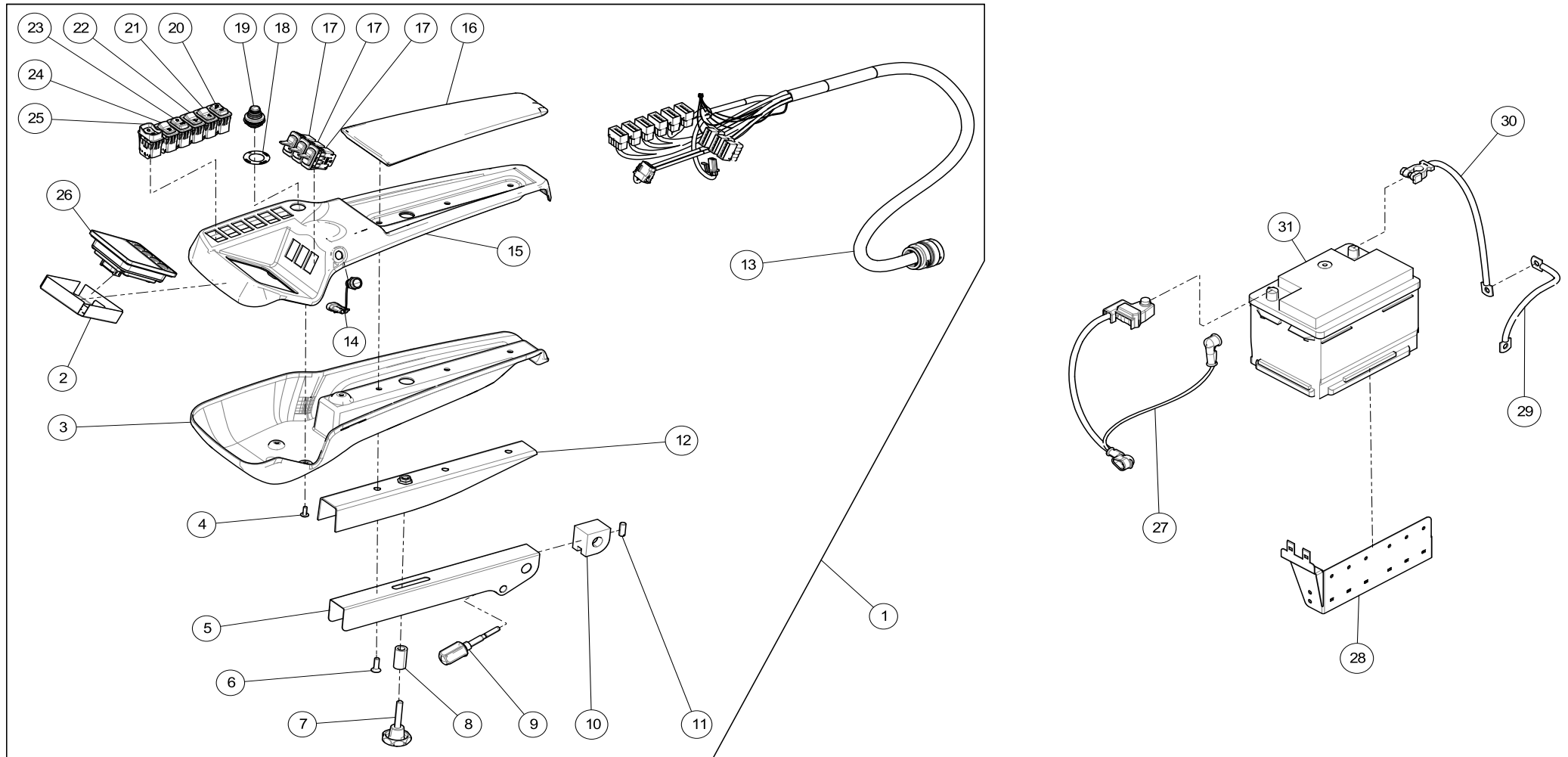
DECALS, TOOL KIT | AUFKLEBER, WERKZEUGSATZ | STICKERS, GEREEDSCHAPSET

50708-104

F5/R5

KEY	PART NO.	QTY	SERIAL NO.	DESCRIPTION	BESCHREIBUNG	OMSCHRIJVING
1	704164	4		DECAL,SECURING POINT	AUFKLEBER,SICHERUNGSPUNKT	STICKER,ZEKERINGSPUNT
2	704166	1		DECAL,FUSES MINI	AUFKLEBER,SICHERUNGEN MINI	STICKER,ZEKERINGEN MINI
3	704167	1		DECAL,FUSES MAXI FR5	AUFKLEBER,SICHERUNGEN MAXI FR5	STICKER,ZEKERINGEN MAXI FR5
4	704162	1		DECAL DIESEL	AUFKLEBER DIESEL	STICKER DIESEL
5	704163	1		DECAL,WARNING,ROTATING FAN	AUFKLEBER,WARUNUNG,ROTIERENDE VENTILATOR	STICKER,WAARSCHUWING,DRAAIENDE VENTILATO
6	110432	1		KIT,KEYS,FUEL CAP,M3	SATZ,SCHLUESSEL,TANKKAPPE,M3	SET,SLEUTELS,TANKDOP,M3
7	110673	1		SLOTTED RING	SCHLITZRING	SLEUTELRING
8	110671	2		IGNITION KEY M3	KONTAKTSCHLUESSEL M3	CONTACTSLEUTEL M3
9	110672	1		KEY,HOOD,FR5	SCHLUSSEL,HAUBE,FR5	SLEUTEL,MOTORKAPSLUITING,FR5
10	704160	1		DECAL "ROBERINE" ROUND 47MM	AUFKLEBER "ROBERINE" RUND 47MM	STICKER "ROBERINE" ROND 47MM
11	704161	1		DECAL LWA105	AUFKLEBER LWA105	STICKER LWA105
12	703847	1		DECAL "ROBERINE" 250X50	AUFKLEBER "ROBERINE" 250X50	STICKER "ROBERINE" 250X50
13	703883	2		DECAL "ROBERINE" 150X30	AUFKLEBER "ROBERINE" 150X30	STICKER "ROBERINE" 150X30
	704159	1		TOOL KIT,ROBERINE	WERKZEUGSATZ,ROBERINE	GEREEDSCHAPSET,ROBERINE

ELECTRICAL COMPONENTS | ELECTRO TEILE | ELEKTRISCHE COMPONENTEN
50710-100
F5/R5



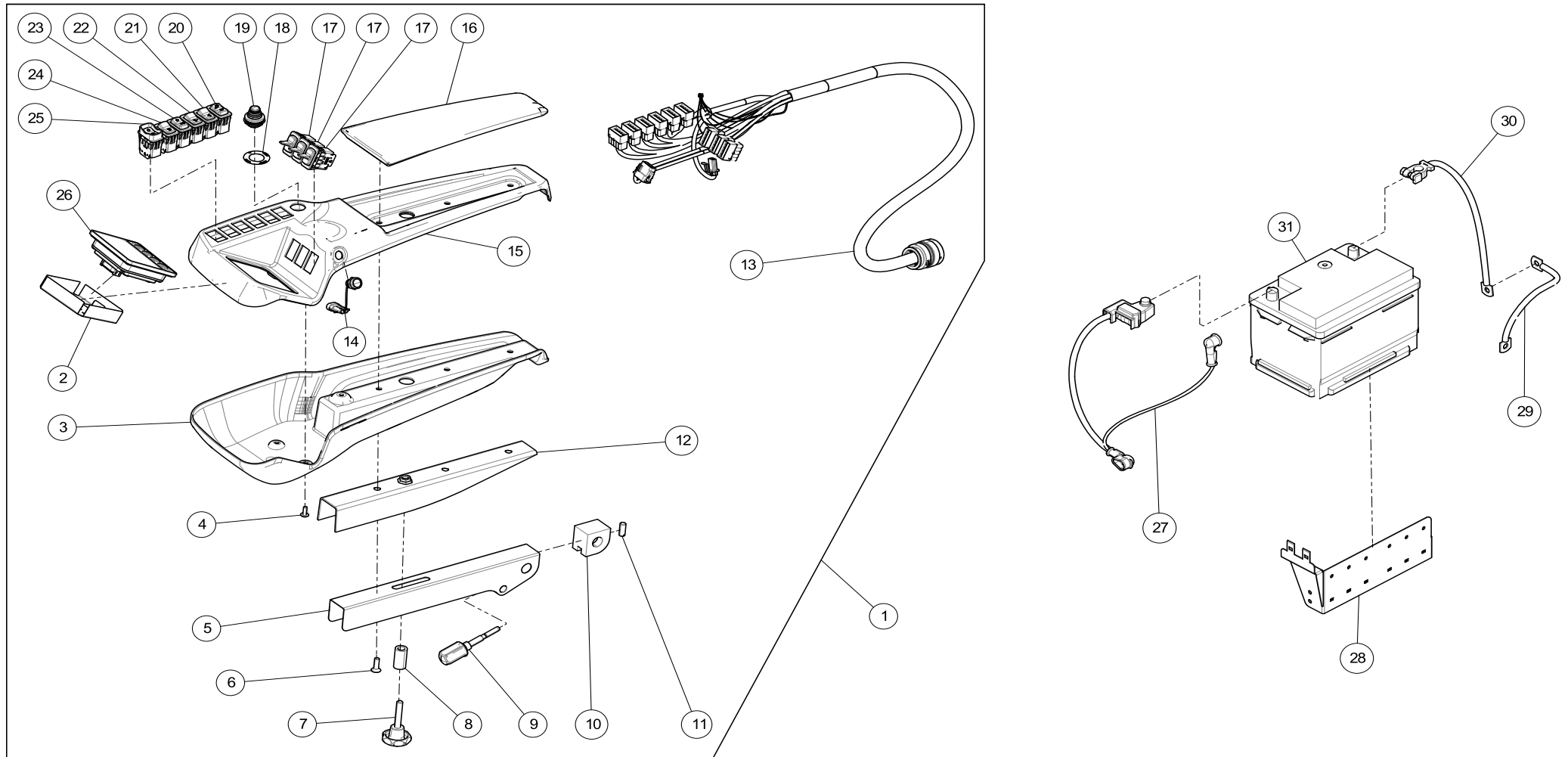
ELECTRICAL COMPONENTS | ELECTRO TEILE | ELEKTRISCHE COMPONENTEN

50710-100

F5/R5

KEY	PART NO.	QTY	SERIAL NO.	DESCRIPTION	BESCHREIBUNG	OMSCHRIJVING
1	50710-101	1		ARMREST CONSOLE FR5,CPL.	ARMSTUTZEN KONSOLE FR5 KPL.	ARMSTEUN CONSOLE FR5 KPL.
2	704088	1		BRACKET,PANEL DISPLAY FR5	KONSOLE,BLECH DISPLAY FR5	HOUDER,PANEEL DISPLAY FR5
3	50710-304	1		SHELL BOTTOM,COMMAND ARM FR5	SCHALE UNTEN,ARMLEHNE FR5	SCHAAL ONDERZIJDE,BUITEN,ARMLEUNING FR5
4	110485	3		SCREW,SOC,ISO7380-2,M6X16-8.8-ZN	SCHRAUBE,ISK,ISO7380-2,M6X16-8.8-ZN	BOUT,BZK,ISO7380-2,M6X16-8.8-ZN
5	50710-202	1		CHANNEL,CPL.COMMAND ARM	U-PROFIL,ARMLEHNE	U-PROFIEL,KPL.BESTURINGSARM
6	110307	3		SCREW,CTSK,DIN7991,M8X25-8.8-ZN	SCHRAUBE,SENK,ISK,DIN7991,M8X25-8.8-ZN	BOUT,VERZ,BZK,DIN7991,M8X25-8.8-ZN
7	110490	1		STAR,KNOB CONTROL ARM	DREIKANTGRIFF	STERKNOP
8	704087	1		SPACER,20X4X39MM	DISTANZBUECHSE,20X4X39MM	AFSTANDBUS,20X4X39MM
9	110489	1		STAR KNOB	DREIKANTGRIFF	STERKNOP
10	704092	1		SUPPORT	HALTER	INLEGBLOK SCHARNIER
11	110483	1		SET SCREW,SLOT,DIN427,M10X25-22H-ZN	GEWINDESTIFT,SCHLITZDIN427,M10X25-22H-ZN	STELSCHROEF,ZAAG,DIN427,M10X25-22H-ZN
12	50710-201	1		CHANNEL COMMAND ARM FR5	U-PROFIL,KPL.ARMLEHNE FR5	U-PROFIEL,KPL.BESTURINGSARM FR5
13	704078	1		WIRING HARNESS,COMMAND ARM,FR5	KABELBAUM,COMMAND ARM,FR5	KABELBUNDEL,COMMAND ARM,FR5
14	704091	1		SWITCH,CROSS CUT,CPL.	SCHALTER,CROSS CUT,KPL.	SCHAKELAAR CROSS CUT KPL
15	50710-103	1		SHELL,COMMAND ARM FR5	SCHALE,ARMLEHNE FR5	SCHAAL,BUITEN,ARMLEUNING FR5
16	50710-102	1		CUSHION,COMMAND ARM M5	POLSTER,ARMLEHNE M5	KUSSEN,ARMLEUNING M5
17	704090	3		PADDLE SWITCH,RAISE/LOWER	SCHALTER,HEBEN/SENKEN	SCHAKELAAR,HEFFEN/ZAKKEN
18	704089	1		DECAL,CRUISE CONTROL	AUFKLEBER,CRUISE CONTROL	STICKER,CRUISE CONTROL
19	110487	1		JOYSTICK CRUISE CONTROL	JOYSTICK CRUISE CONTROL	JOYSTICK CRUISE CONTROL
20	704080	1		SWITCH,MOWING/LAPPING,FR5	SCHALTER,MAEHEN/LAEPPEN,FR5	SCHAKELAAR,MAAIEN/LEPPEN,FR5
21	704081	1		SWITCH,LOWER ENABLED,FR5	SCHALTER,SENKEN,FR5	SCHAKELAAR,ZAKKEN ACTIVEREN,FR5
22	704082	1		SWITCH,GROUND PRESSURE,FR5	SCHALTER,BODENDRUECK,FR5	SCHAKELAAR,BODEMDRUK,FR5
23	704085	1		SWITCH,FAN COOLER,FR5	SCHALTER,LUEFTER KUEHLER,FR5	SCHAKELAAR,VENTILATOR KOELER,FR5
24	704083	1		SWITCH,BEACON LIGHT,FR5	SCHALTER,BLINKLICHT,FR5	SCHAKELAAR,ZWAAILICHT,FR5
25	704084	1		SWITCH,PARK BRAKE,FR5	SCHALTER,PARKBREMSE,FR5	SCHAKELAAR,PARKEERREM,FR5

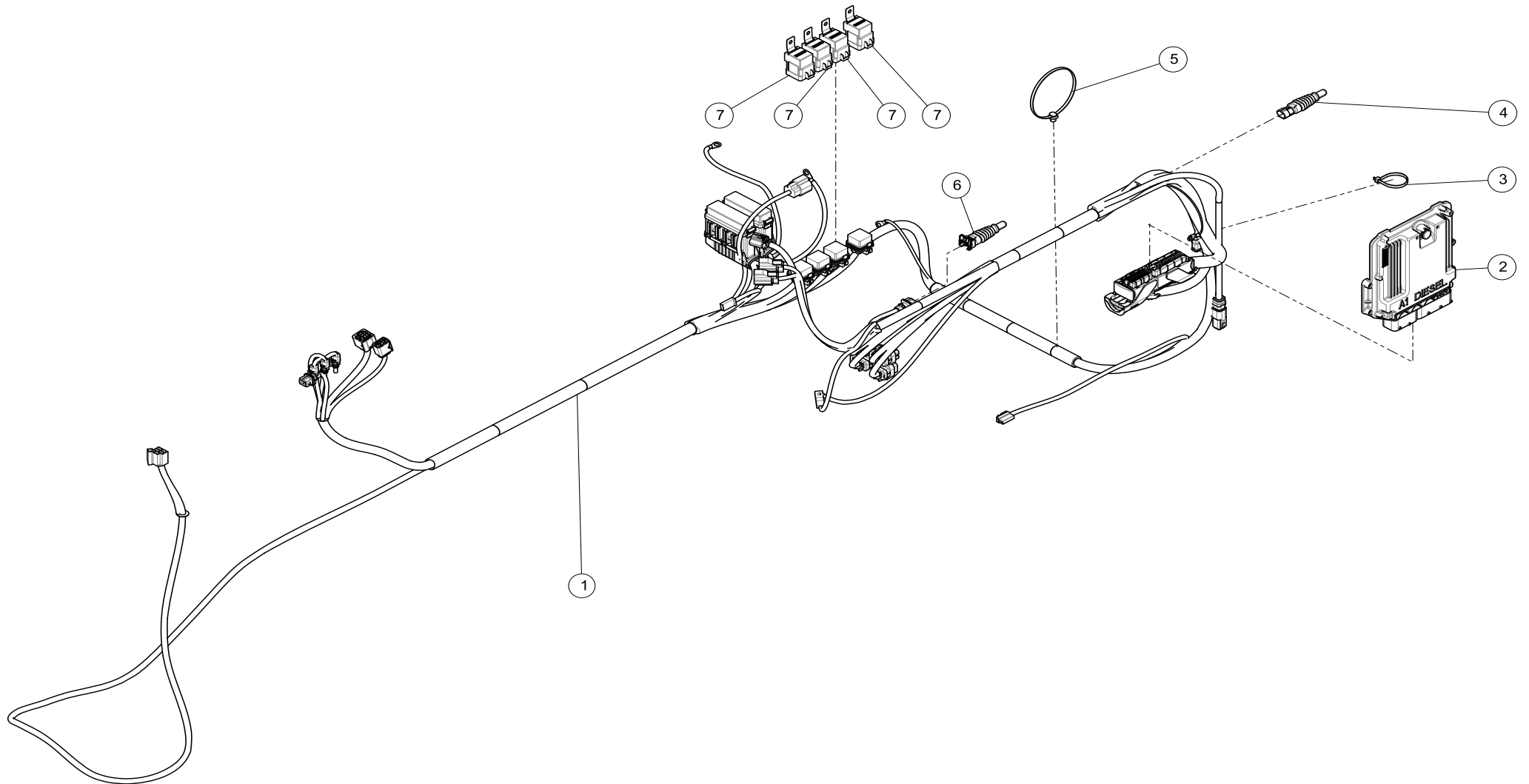
ELECTRICAL COMPONENTS | ELECTRO TEILE | ELEKTRISCHE COMPONENTEN
50710-100
F5/R5



ELECTRICAL COMPONENTS | ELECTRO TEILE | ELEKTRISCHE COMPONENTEN
50710-100
F5/R5

KEY	PART NO.	QTY	SERIAL NO.	DESCRIPTION	BESCHREIBUNG	OMSCHRIJVING
26	704079	1		DISPLAY FR5	DISPLAY FR5	DISPLAY FR5
27	704077	1		CABLE,DYNAMO-STARTER MOTOR FR5	KABEL,GENERATOR-ANLASSER-MOTOR FR5	KABEL,DYNAMO-STARTMOTOR FR5
28	50710-203	1		PLATE MOUNTING RELAIS,FR5	PLATTE MONTAGE RELAIS,FR5	PLAAT MONTAGE RELAIS,FR5
29	704093	1		GROUND CABLE,ENGINE	MASSEKABEL,MOTOR	MASSAKABEL,MOTOR
30	110492	1		BATTERY MINUS CABLE	BATTERIEKABEL MIN	ACCUKABEL MIN
31	110677	1		BATTERY,12V-60AH	BATTERIE,12V-60AH	ACCU,12V-60AH

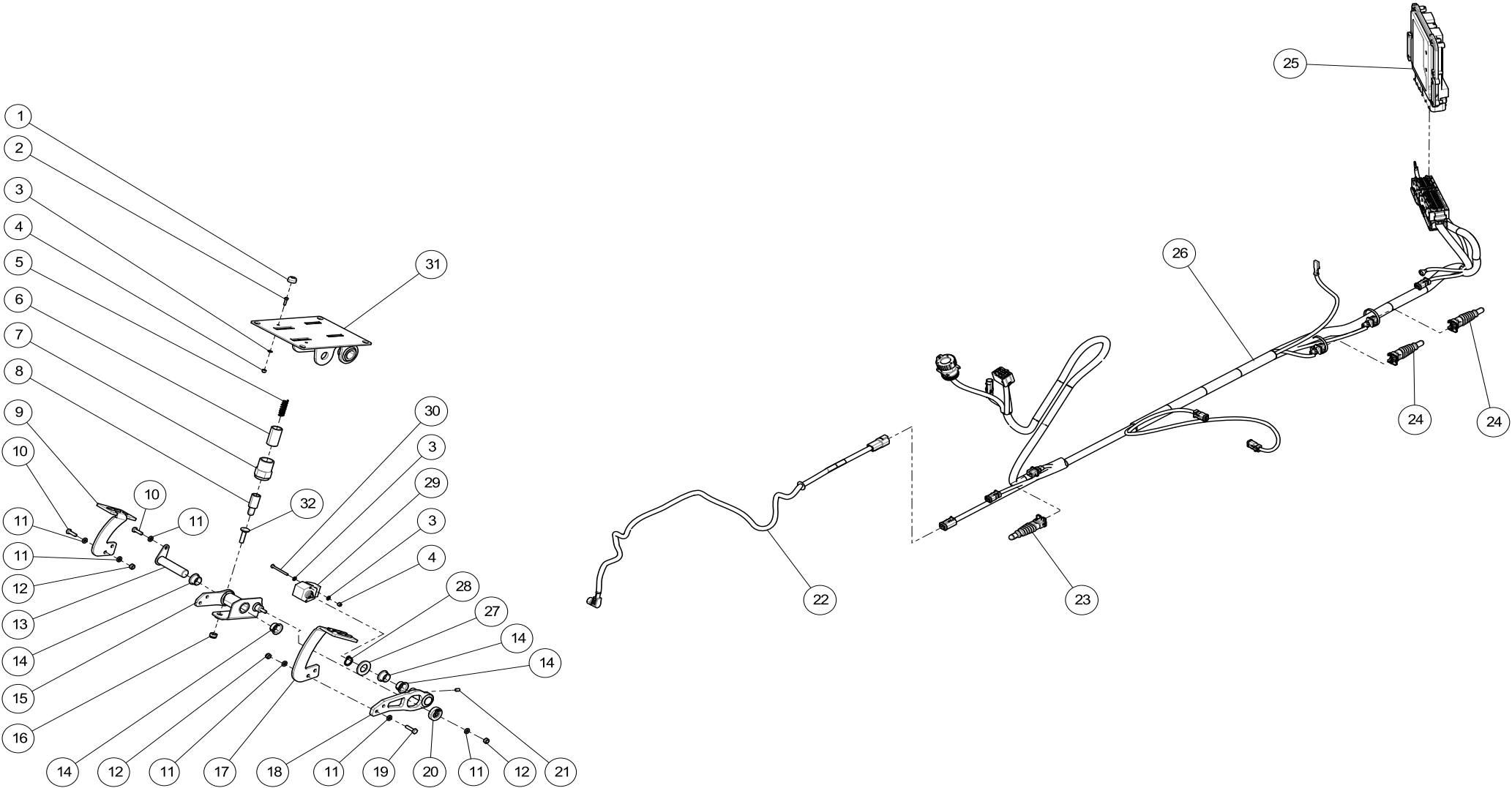
ENGINE ELECTRICAL | MOTOR ELECTRO | MOTOR ELECTRISCH
50705-105
F5/R5



ENGINE ELECTRICAL | MOTOR ELECTRO | MOTOR ELECTRISCH
50705-105
F5/R5

KEY	PART NO.	QTY	SERIAL NO.	DESCRIPTION	BESCHREIBUNG	OMSCHRIJVING
1	704168	1		WIRING HARNESS,ENGINE,FR5	KABELBAUM,MOTOR,FR5	KABELBUNDEL,MOTOR,FR5
2	110378	1		ECU ENGINE YANMAR FR5	ECU MOTOR YANMAR FR5	ECU MOTOR YANMAR FR5
3	110893	6		CABLE TIES, 4,7X285MM, BLACK	KABELBINDER 4,7X285MM SCHWARZ	KABELBINDER 4,7X285MM (TIE-WRAP)
4	110675	1		RESISTOR 1K5	WIDERSTAND 1K5	WEERSTAND 1K5
5	110484	1		FIXING TIE WITH FIR TREE	BEFESTIGUNGSBINDER MIT LAMELLENFUSS	BEVESTIGINGSBAND MET LAMELVOET
6	110674	1		RESISTOR 120OHM	WIDERSTAND 120OHM	WEERSTAND 120OHM
7	110676	1		RELAY	RELAY	RELAIS

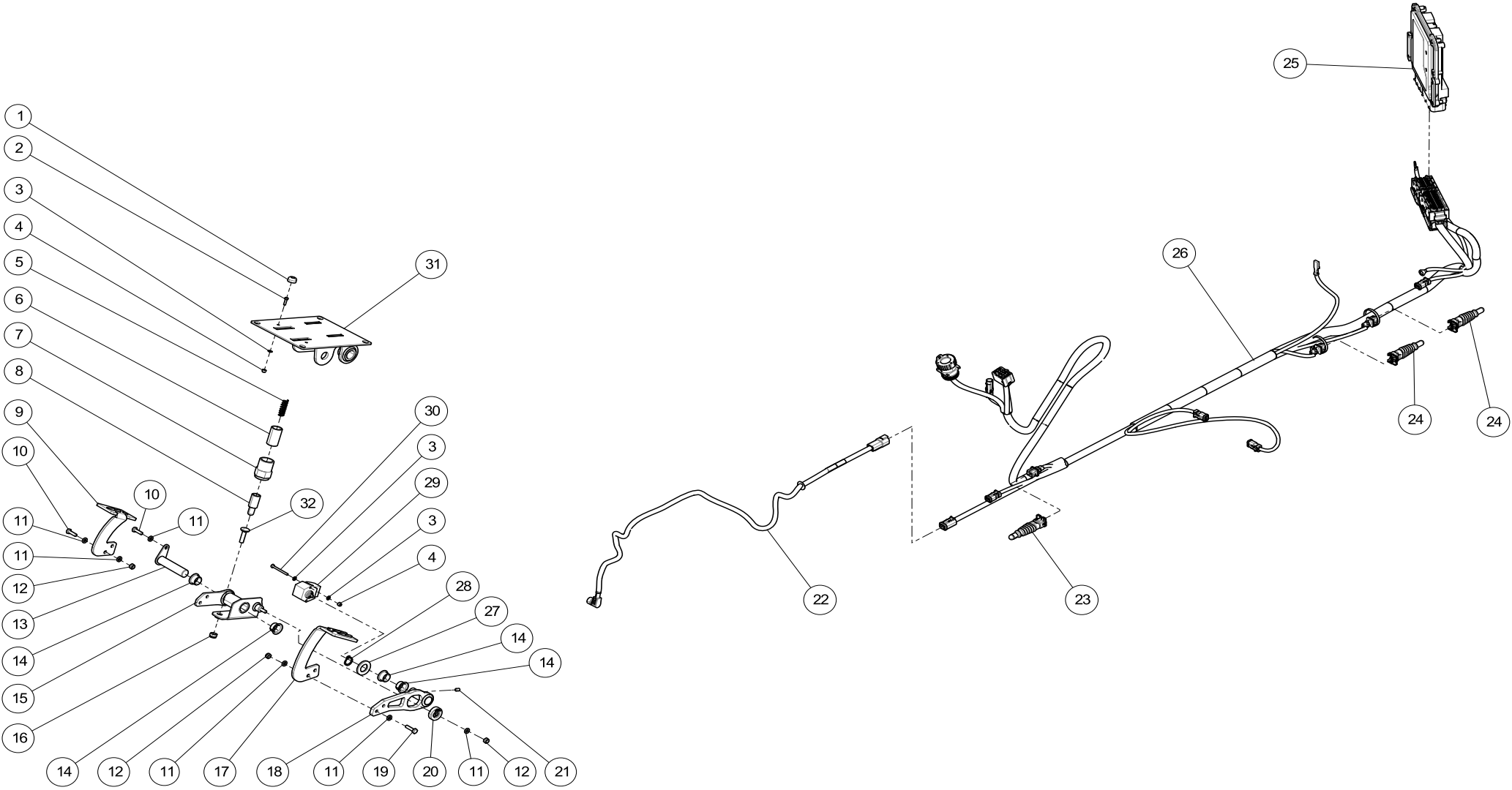
DRIVING ELECTRICAL | FAHREN ELECTRO | RIJDEN ELECTRISCH
50710-106
F5/R5



DRIVING ELECTRICAL | FAHREN ELECTRO | RIJDEN ELECTRISCH
50710-106
F5/R5

KEY	PART NO.	QTY	SERIAL NO.	DESCRIPTION	BESCHREIBUNG	OMSCHRIJVING
1	111589	2		RUBBER BUFFER,PEDAL	GUMMI PUFFER,PEDAL	RUBBER BUFFER,PEDAAL
2	9109.5217	2		SCREW,SOC,DIN6912,M4X14-8.8-ZN	ZYL.SCHRAUBE,ISK,DIN6912,M4X14-8.8-ZN	CIL.BOUT,BZK,DIN6912,M4X14-8.8-ZN
3	110701	6		WASHER DIN125A-M4-ZN	UNTERLEGSCHIEBE DIN125A-M4-ZN	SLUITRING DIN125A-M4-ZN
4	110700	4		LOCKNUT,DIN985,M4-8-ZN	SKT.SICHERUNGSMUTTER,DIN985,M4-8-ZN	ZESK.BORGMOER,DIN985,M4-8-ZN
5	110705	2		SPRING PEDAL FR5	FEDER PEDAL FR5	VEER PEDAAL FR5
6	110706	2		BEARING HPMB 18-23	GLEITLAGER HPMB 18-23	LAGER HPMB 18-23
7	704185	2		BUSHING,PEDAL,FR5	BUECHSE,PEDAL FR5	BUS,PEDAAL FR5
8	704186	2		PIN,PEDAL FR5	STIFT,PEDAL FR5	PEN,PEDAAL FR5
9	50710-209	1		PEDAL,REVERSE,CPL FR5	PEDAL,RUCKWARTS,KPL FR5	PEDAAL,ACHTERUIT,KPL FR5
10	110373	3		SCREW,HEX,DIN933,M6X20-8.8-ZN	SKT.SCHRAUBE,DIN933,M6X20-8.8-ZN	ZESK.TAPBOUT,DIN933,M6X20-8.8-ZN
11	110073	10		WASHER	UNTERLEGSCHIEBE	SLUITRING
12	101851	5		LOCK NUT M6	MUTTER SELBSTS.VERZ M6	DIN 985 ZELFBORGENDE MOER M6
13	50710-207	1		HINGE PIN	SCHARNIERBOLZEN	SCHARNIERPEN
14	110704	4		BUSHING FLANGED	BUECHSE MIT FLANSCH	BUS MET FLENS
15	50710-206	1		ARM,PEDAL REVERSE FR5	ARM,PEDAL RUEKWAERTS FR5	ARM,PEDAAL ACHTERUIT FR5
16	101852	2		LOCK NUT M8	MUTTER SELBSTS.VERZ M8	DIN 985 ZELFBORGENDE MOER M8
17	50710-208	1		PEDAL,FORWARD,CPL. FR5	PEDAL,FORWARTS,KPL. FR5	PEDAAL,VOORUIT,KPL. FR5
18	50710-205	1		ARM,PEDAL FORWARD FR5	ARM,PEDAL VORWAERTS FR5	ARM,PEDAAL VOORUIT FR5
19	110389	2		SCREW,HEX,DIN933,M6X25-8.8-ZN	SKT.SCHRAUBE,DIN933,M6X25-8.8-ZN	ZESK.TAPBOUT,DIN933,M6X25-8.8-ZN
20	110708	1		WHEEL,30MM	RAD,30MM	WIEL,30MM
21	110699	1		SET SCREW,DIN916,M6X10-45H-ZN	GEWINDESTIFT,DIN916,M6X10-45H-ZN	STELSCHROEF,DIN916,M6X10-45H-ZN
22	704180	1		ADAPTER,SPEED SENSOR F5	VERLAUFKABEL,DREHZAHLSENSOR F5	VERLOOPKABEL,TOERENTALSSENSOR F5
23	110695	1		RESISTOR 1K	WIDERSTAND 1K	WEERSTAND 1K
24	110674	2		RESISTOR 120OHM	WIDERSTAND 120OHM	WEERSTAND 120OHM
25	704179	1		ECU DRIVING FR5	ECU FAHREN FR5	ECU RIJDEN FR5

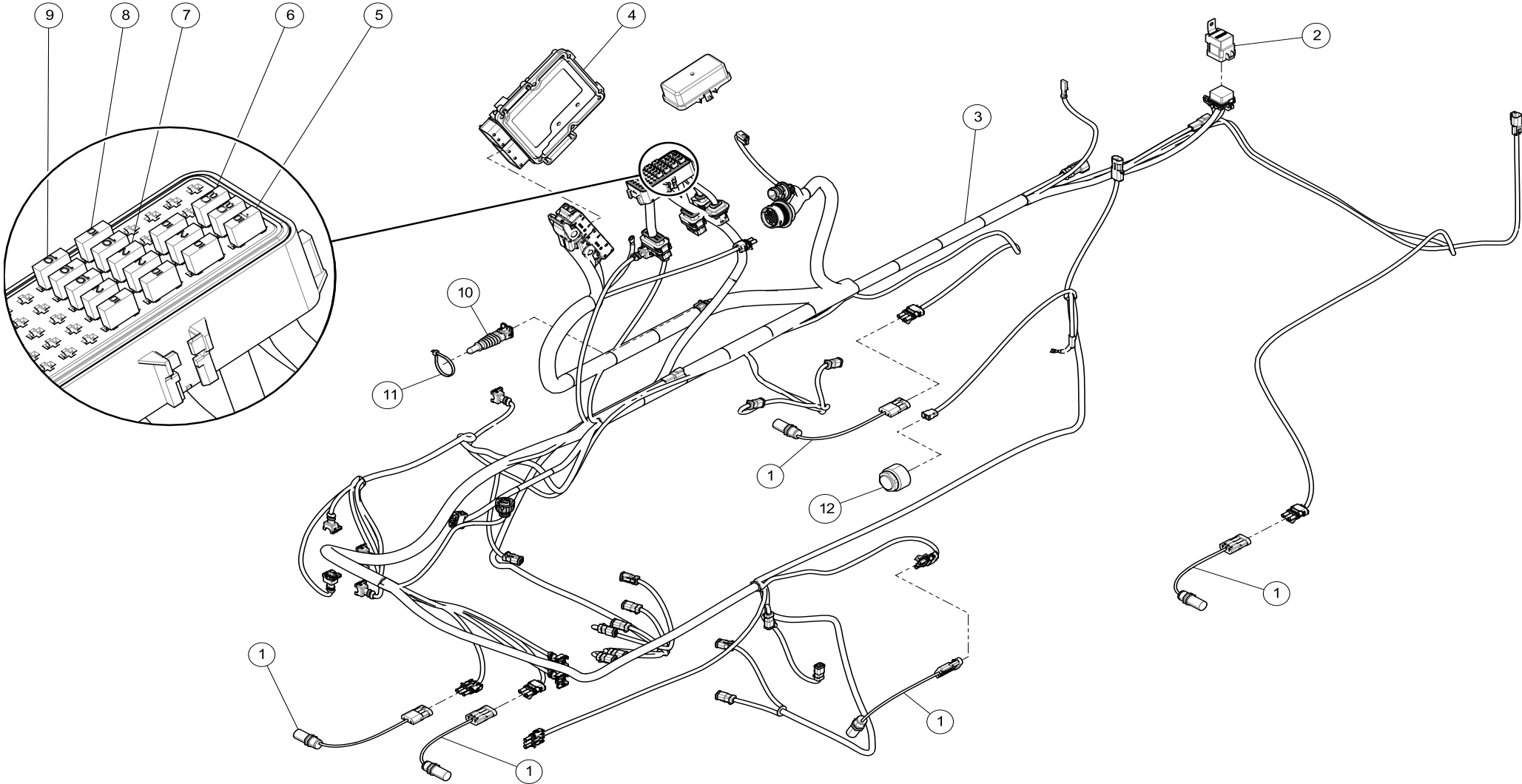
DRIVING ELECTRICAL | FAHREN ELECTRO | RIJDEN ELECTRISCH
50710-106
F5/R5



DRIVING ELECTRICAL | FAHREN ELECTRO | RIJDEN ELECTRISCH
50710-106
F5/R5

KEY	PART NO.	QTY	SERIAL NO.	DESCRIPTION	BESCHREIBUNG	OMSCHRIJVING
26	704178	1		WIRING HARNESS,DRIVE,FR5	KABELBAUM,FAHREN,FR5	KABELBUNDEL,RIJDEN,FR5
27	110365	1		WASHER DIN125A,M18-ZN	UNTERLEGSCHIEBE DIN125A,M18-ZN	SLUITRING DIN125A,M18-ZN
28	110707	1		RETAINING RING,SHAFT-DIN471-A18X1.5	SICHERUNGSRING,WELLE-DIN471-A18X1.5	ZEKERINGSRING,AS-DIN471-A18X1.5
29	110703	1		ANGLE SENSOR	WINKELSENSOR	HOEKSENSOR
30	110698	2		SCREW,HEX,DIN931,M4X45-8.8-ZN	SKT.SCHRAUBE,DIN931,M4X45-8.8-ZN	ZESK.BOUT,DIN931,M4X45-8.8-ZN
31	50710-204	1		SUPPORT,PEDAL FR5	STUETZE,PEDAL FR5	STEUN,PEDAAL FR5
32	110434	2		BOLT,RH,SQNECK,DIN603,M8X30-8.8-ZN	FLACHRUNDSCHRAUBE,DIN603,M8X30-8.8-ZN	SLOTBOUT,DIN603,M8X30-8.8-ZN

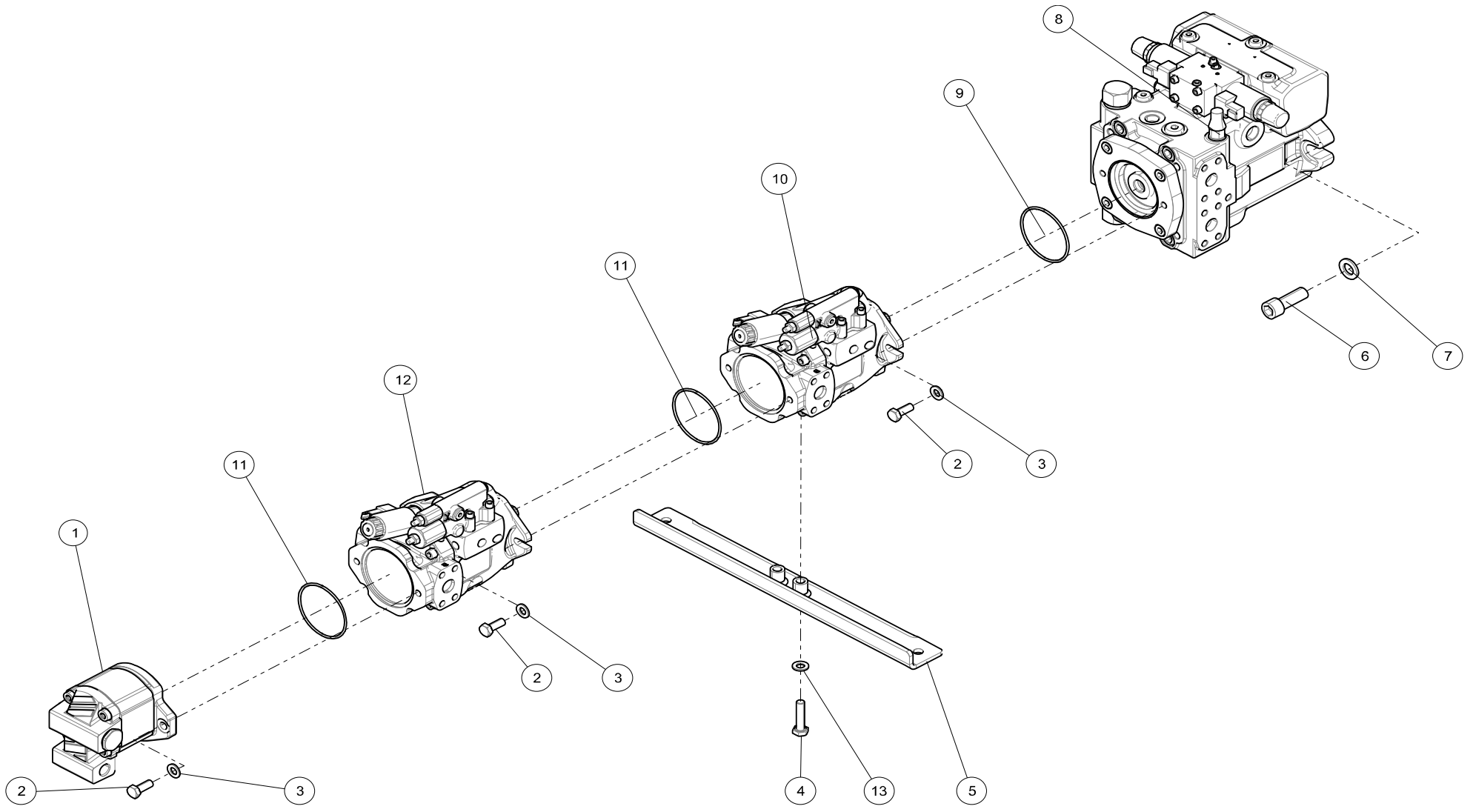
MOWING ELECTRICAL | MÄHEN ELECTRO | MAAIEN ELECTRISCH
50710-108
F5/R5



MOWING ELECTRICAL | MÄHEN ELECTRO | MAAIEN ELECTRISCH
50710-108
F5/R5

KEY	PART NO.	QTY	SERIAL NO.	DESCRIPTION	BESCHREIBUNG	OMSCHRIJVING
1	110714	5		PROXIMITY SWITCH WITH WIRE	INDUKTIONSSCHALTER MIT STECKER	BENADERINGSSCHAKELAAR MET STEKKER
2	110676	1		RELAY	RELAY	RELAIS
3	704187	1		WIRING HARNESS,MOWING,FR5	KABELBAUM,MAEHEN,FR5	KABELBUNDEL,MAAIEN,FR5
4	704260	1		ECU MOWING FR5	ECU MAEHEN FR5	ECU MAAIEN FR5
5	110710	1		FUSE,BLADE MINI,15A 32V BLUE	SICHERUNG,MINI,15A 32V BLAU	ZEKERING,MINI,15A 32V BLAUW
6	110711	2		FUSE,BLADE MINI,20A 32V YELLOW	SICHERUNG,MINI,20A 32V GELB	ZEKERING,MINI,20A 32V GEEL
7	110712	4		FUSE,BLADE MINI,2A 32V GREY	SICHERUNG,MINI,2A 32V GRAU	ZEKERING,MINI,2A 32V GRIJS
8	109257	5		FUSE,BLADE MINI	SICHERUNG,MINI	ZEKERING,MINI
9	107027	4		FUSE,BLADE MINI	SICHERUNG,MINI	ZEKERING,MINI
10	110674	1		RESISTOR 120OHM	WIDERSTAND 120OHM	WEERSTAND 120OHM
11	110893	1		CABLE TIES, 4,7X285MM, BLACK	KABELBINDER 4,7X285MM SCHWARZ	KABELBINDER 4,7X285MM (TIE-WRAP)
12	110493	1		WARNING BUZZER	SIGNALGEBER	SIGNAAL GEVER

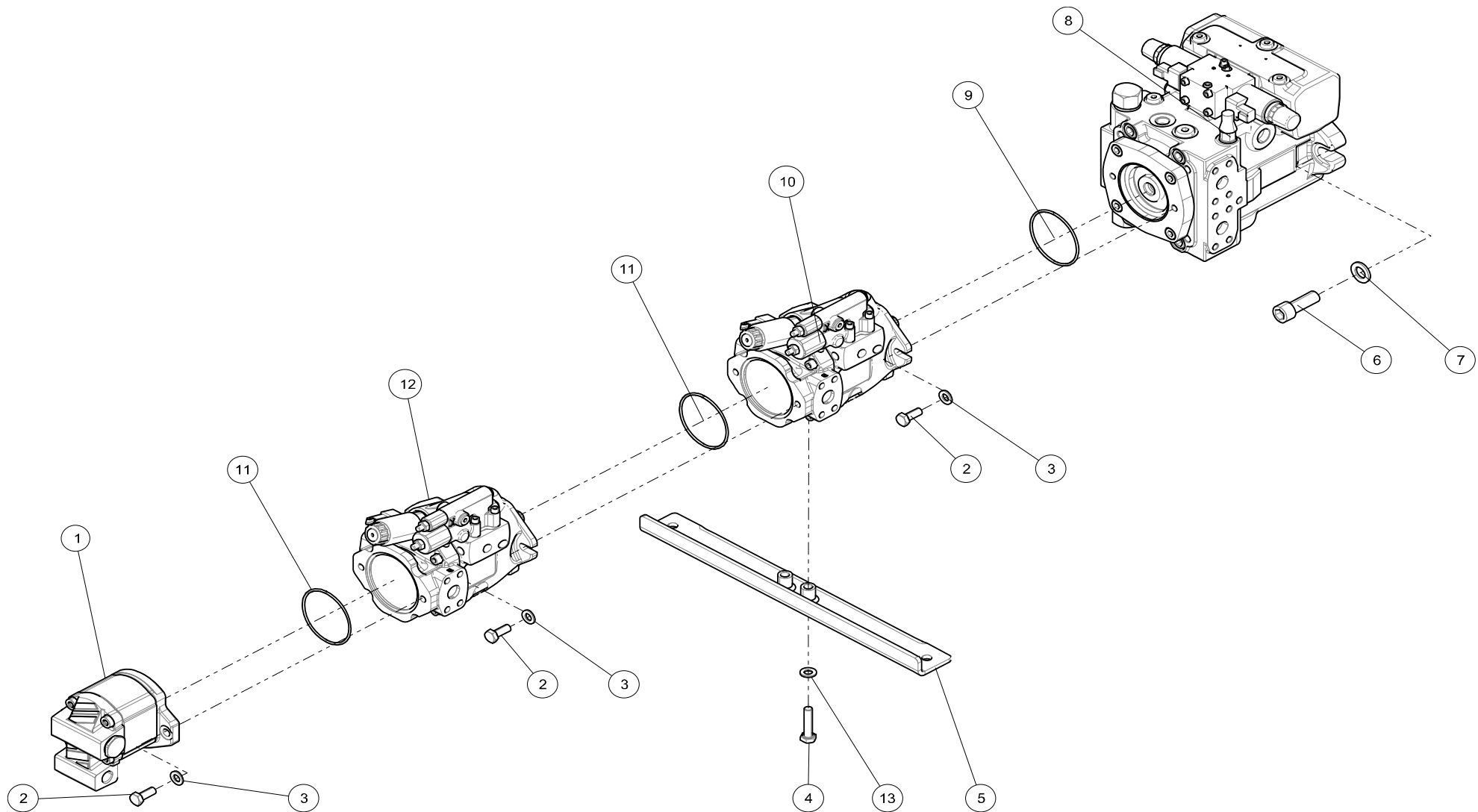
HYDRALICS | HYDRAULIK | HYDRAULIEK
50705-103
F5/R5



HYDRALICS | HYDRAULIK | HYDRAULIEK
50705-103
F5/R5

KEY	PART NO.	QTY	SERIAL NO.	DESCRIPTION	BESCHREIBUNG	OMSCHRIJVING
1	110559	1		GEAR PUMP,FR5	ZAHNRADPUMPE,FR5	TANDWIELPOMP,FR5
1.1	110660	1		SEALKIT	DICHTSATZ	AFDICHTSET
2	110070	6		SCREW,HEX	SKT.SCHRAUBE	ZESK.TAPBOUT
3	110200	4		WASHER DIN125A,M10-ZN	UNTERLEGSCHIEBE DIN125A,M10-ZN	SLUITRING DIN125A,M10-ZN
4	110546	2		SCREW,HEX,DIN931,M10X1.5X45-8.8-ZN	SKT.SCHRAUBE,DIN931,M10X45-8.8-ZN	ZESK.BOUT,DIN931,M10X45-8.8-ZN
5	50705-206	1		BRACKET PUMP,FR5	STUETZE PUMPE,FR5	HOUDER POMP,FR5
6	110545	2		SCREW,SOC,DIN912,M16X45-10.9-ZN	ZYL.SCHRAUBE,ISK,DIN912,M16X45-10.9-ZN	CIL.BOUT,BZK,DIN912,M16X45-10.9-ZN
7	108429	2		WASHER	UNTERLEGSCHIEBE	SLUITRING
8	110547	1		DRIVE PUMP,FR5	FAHRPUMPE,FR5	RIJPOMP,FR5
8.1	110548	1		SEAL KIT,CPL,DRIVE PUMP,FR5	ABDICHTSATZ,KPL,FAHRPUMPE,FR5	PAKKINGSET,KPL,RIJPOMP,FR5
8.2	110549	1		SEAL KIT DRIVE SHAFT	DICHTRINGSATZ TRIEBWELLE	AFDICHTSET DRIJFAS
8.3	110550	1		SEAL RING,SHAFT	DICHTRING,WELLE	AFDICHRING,AS
8.4	110551	1		PRESSURE RELIEF VALVE,DRIVE PUMP,M3	UBERDRUCKVENTIL,FAHRPUMPE,M3	OVERDRUKVENTIEL,RIJPOMP,M3
8.41	110553	1		O-RING,PRESSURE RELIEF VALVE,M3	O-RING,UBERDRUCKVENTIL,M3	O-RING,OVERDRUKVENTIEL,M3
8.5	110554	2		PRESSURE RELIEF VALVE,280BAR	DRUECKBEGRENZUNGSVENTIL,280BAR	DRUKBEGRENZINGSVENTIEL,280BAR
8.51	110555	1		O-RING,PRESSURE RELIEF VALVE,280BAR	O-RING,DRUECKBEGRENZUNGSVENTIL,280BAR	O-RING,DRUKBEGRENZINGSVENTIEL,280BAR
8.6	110556	1		O-RING	O-RING	O-RING
8.7	110558	2		SOLENOID,DRIVE PUMP,M3	MAGNEETVENTIEL,FAHRPUMPE,M3	MAGNEETSPOEL,RIJPOMP,M3
9	110557	1		O-RING	O-RING	O-RING
10	110661	1		MOWING PUMP NO.1,FR5	MAEHPUMPE NR.1,FR5	MAAIPOMP NR.1,FR5
10.1	110662	1		CONTROL VALVE,MOWING PUMP,FR5	STUEGERGERAT,MAEHPUMPE,FR5	STUURVENTIEL,MAAIPOMP,FR5
10.15	110663	1		O-RING,CONTROL VALVE,MOWING PUMP,FR5	O-RING,STUEGERGERAT,MAEHPUMPE,FR5	O-RING,STUURVENTIEL,MAAIPOMP,FR5
10.2	110664	1		CONTROL VALVE,MOWING PUMP,M3	STUEGERGERAT,MAEHPUMPE,M3	STUURVENTIEL,MAAIPOMP,M3
10.25	110665	1		O-RING,CONTROL VALVE,MOWING PUMP,M3	O-RING,STUEGERGERAT,MAEHPUMPE,M3	O-RING,STUURVENTIEL,MAAIPOMP,M3
11	110666	1		O-RING,85X3 V80 NBR	O-RING,85X3 V80 NBR	O-RING,85X3 V80 NBR

HYDRALICS | HYDRAULIK | HYDRAULIEK
50705-103
F5/R5

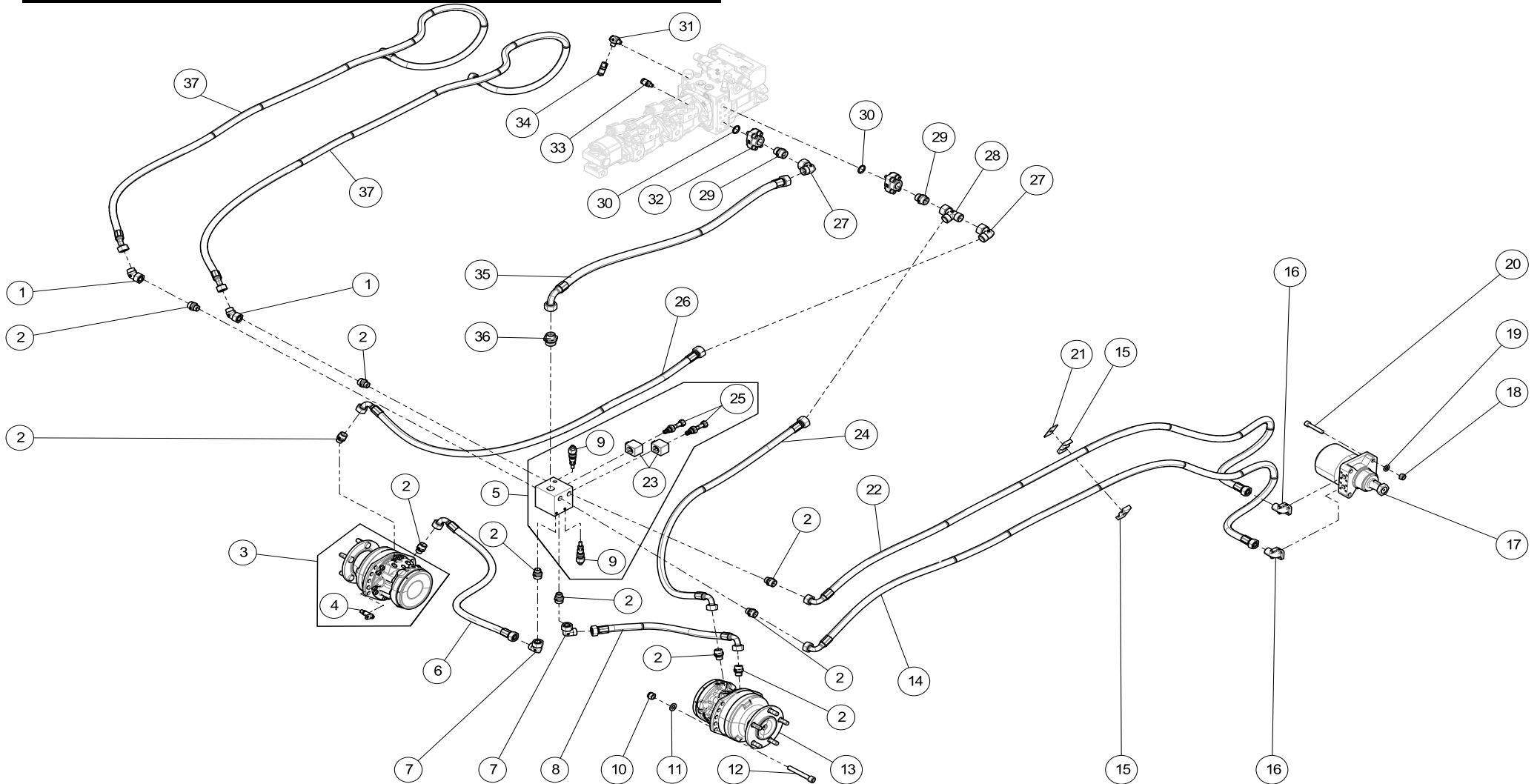


HYDRALICS | HYDRAULIK | HYDRAULIEK
50705-103
F5/R5

KEY	PART NO.	QTY	SERIAL NO.	DESCRIPTION	BESCHREIBUNG	OMSCHRIJVING
12	110667	1		MOWING PUMP NO.2,FR5	MAEHPUMPE NR.2,FR5	MAAIPOMP NR.2,FR5
12.1	110662	1		CONTROL VALVE,MOWING PUMP,FR5	STEUERGERAT,MAEHPUMPE,FR5	STUURVENTIEL,MAAIPOMP,FR5
12.15	110663	1		O-RING,CONTROL VALVE,MOWING PUMP,FR5	O-RING,STEUERGERAT,MAEHPUMPE,FR5	O-RING,STUURVENTIEL,MAAIPOMP,FR5
12.2	110664	1		CONTROL VALVE,MOWING PUMP,M3	STEUERGERAT,MAEHPUMPE,M3	STUURVENTIEL,MAAIPOMP,M3
12.25	110665	1		O-RING,CONTROL VALVE,MOWING PUMP,M3	O-RING,STEUERGERAT,MAEHPUMPE,M3	O-RING,STUURVENTIEL,MAAIPOMP,M3
13	100774	2		NORD-LOCK M10	NORD-LOCK M10	NORD-LOCK M10

DRIVING HYDRAULICS | FAHRHYDRAULIK | RIJHYDRAULIEK
50705-106
F5/R5

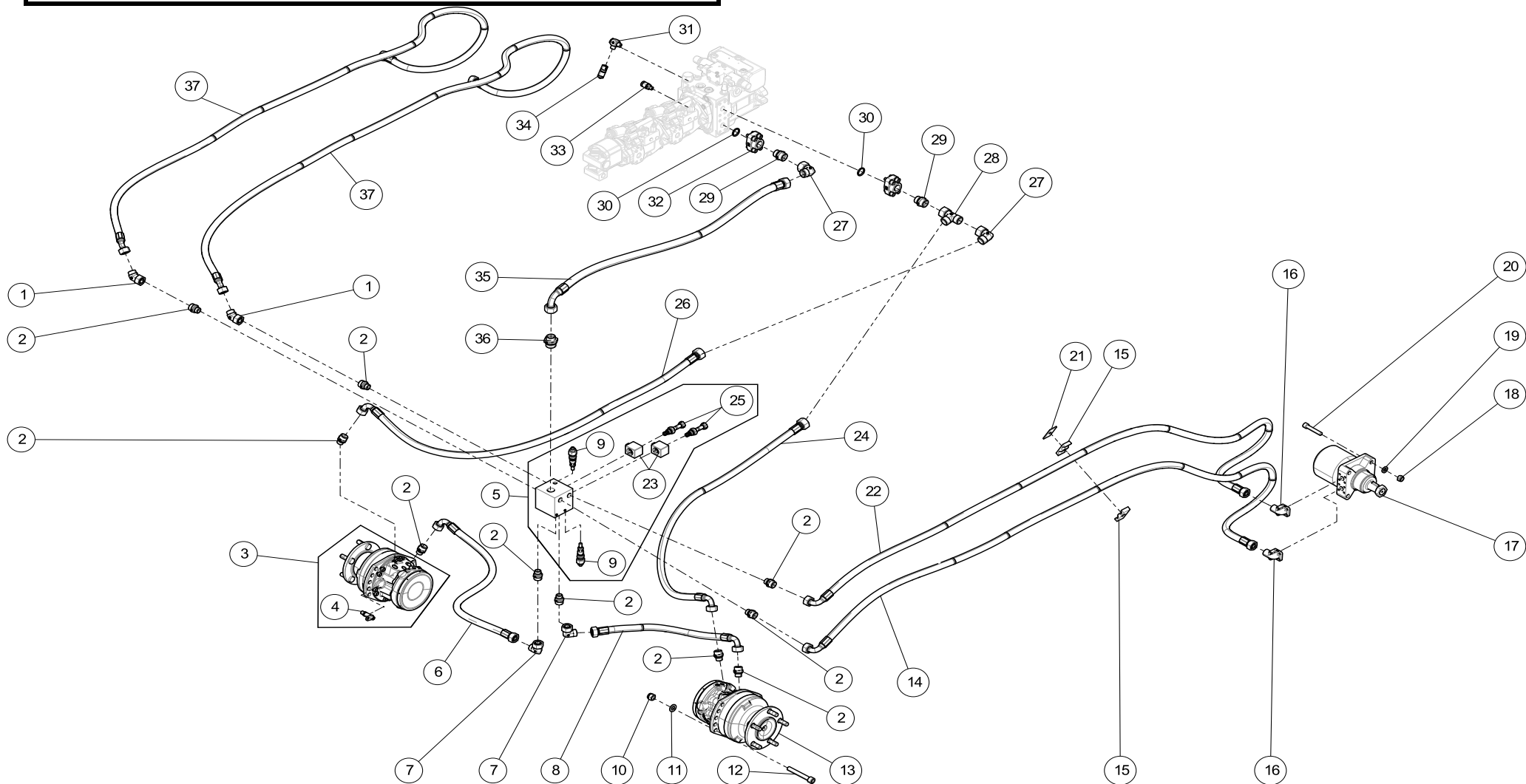
SERIAL NUMBER: -**W0021



DRIVING HYDRAULICS | FAHRHYDRAULIK | RIJHYDRAULIEK
50705-106
F5/R5

KEY	PART NO.	QTY	SERIAL NO.	DESCRIPTION	BESCHREIBUNG	OMSCHRIJVING
1	110734	2		FITTING,EV18LOMDCF	FITTING,EV18LOMDCF	NIPPEL,EV18LOMDCF
2	110745	10		MALE STUD ADAPTER 18L	GERADE EINSCHRAUB ADAPTER 18L	RECHTE INSCHROEFKOPPELING 18L
3	110725	1		WHEEL MOTOR FRONT RIGHT,FR5	RADMOTOR VORNE RECHTS,FR5	WIELMOTOR VOOR RECHTS,FR5
3.1	110737	1		SEALKIT MSE02	DICHTUNGSSATZ MSE02	AFDICHTSET MSE02
3.2	110738	1		BRAKE ASSEMBLY MSE02	BREMSE KPL. MSE02	REM KPL. MSE02
3.3	110739	1		REPAIR KIT MSE02	WARTUNGSSATZ MSE02	REPARATIESET MSE02
3.4	110740	1		REPAIR KIT	DICHTUNGSSATZ	AFDICHTSET
3.5	110741	1		WHEEL FLANGE BOLT SET MSE02	RADFLANGBOLZENSATZ MSE02	WIELBOUTENSET MSE02
3.6	111976	5		WHEEL NUT, M14X1.5, DIN74361	KUGELBUNDMUTTER, M14X1.5, DIN74361	KOGELMOER, M14X1.5, DIN74361, VERZINKT
3.7	110723	1		REPAIR KIT	WARTUNGSSATZ	REPARATIESET
4	110726	1		SPEED SENSOR	GESCHWINDIGKEITSSENSOR	SNELHEIDSSENSOR
5	50699-118	1	**X0001 -	FR302 4WD BLOCK	FR302 4WD BLOCK	FR302 4WD BLOK
5	110727	1	-**W0022	TRACTION BLOCK	ZUGBLOCK	TRACTIEBLOK
5.1	110733	2		SCREW PLUG,TRACTION BLOCK M3	VERSCHLUSSSCHRAUBE,ZUGBLOCK M3	AFSLUITSCHROEF,TRACTIEBLOK M3
6	704192	1		HOSE LINE P477TCCACF181810-0775	SCHLAUCHLEITUNG P477TCCACF181810-0775	HYDROSLANG P477TCCACF181810-0775
7	110744	2		SWIVEL NUT ELBOW 18L	EINTELBBARE WINKEL-STUTZEN 18L	INTELBBARE HAAKSE KOPPELING 18L
8	704191	1		HOSE LINE P477TCCACF181810-0590	SCHLAUCHLEITUNG P477TCCACF181810-0590	HYDROSLANG P477TCCACF181810-0590
9	110731	2		PRESSURE RELIEF VALVE,TRACTION BLOCK M3	UBERDRUCKVENTIL,ZUGBLOCK M3	OVERDRUKVENTIEL,TRACTIEBLOK M3
9.1	110732	1		SEAL KIT,PRESSURE RELIEF VALVE M3	ABDICHTUNGSSATZ,UBERDRUCKVENTIL M3	PAKKINGSET,OVERDRUKVENTIEL, M3
10	110718	6		LOCKNUT,DIN982,M14-10-ZN	SICHERUNGSMUTTER,DIN982,M14-10-ZN	ZESK.BORGMOER,DIN982,M14-10-ZN
11	110453	6		WASHER,DIN125,14-200HV-ZN	UNTERLEGSCHIEBE,DIN125,14-200HV-ZN	SLUITRING,DIN125,14-200HV-ZN
12	110717	6		"TENSILOCK BOLT,M8X25 VZ"	ZYLINDERSCHRAUBE,M14X100,DIN912,12.9	INBUSBOUT,M14X100,DIN912,12.9
13	110722	1		WHEEL MOTOR FRONT LEFT,FR5	RADMOTOR VORNE LINKS,FR5	WIELMOTOR VOOR LINKS,FR5
13.1	110737	1		SEALKIT MSE02	DICHTUNGSSATZ MSE02	AFDICHTSET MSE02
13.2	110738	1		BRAKE ASSEMBLY MSE02	BREMSE KPL. MSE02	REM KPL. MSE02

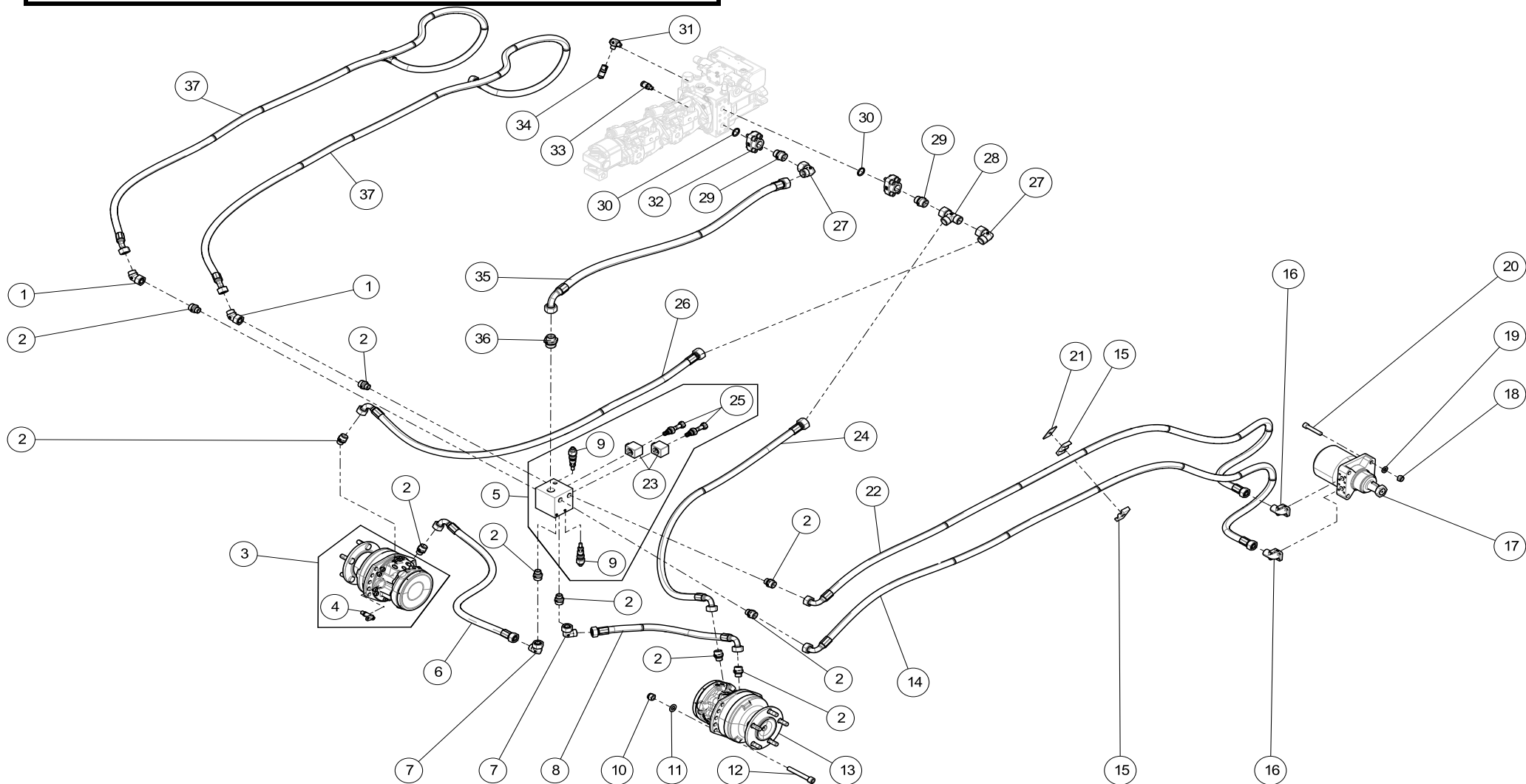
SERIAL NUMBER: -**W0021



DRIVING HYDRAULICS | FAHRHYDRAULIK | RIJHYDRAULIEK
50705-106
F5/R5

KEY	PART NO.	QTY	SERIAL NO.	DESCRIPTION	BESCHREIBUNG	OMSCHRIJVING
13.3	110739	1		REPAIR KIT MSE02	WARTUNGSSATZ MSE02	REPARATIESET MSE02
13.4	110740	1		REPAIR KIT	DICHTUNGSSATZ	AFDICHTSET
13.5	110741	1		WHEEL FLANGE BOLT SET MSE02	RADFLANGBOLZENSATZ MSE02	WIELBOUTENSET MSE02
13.6	111976	5		WHEEL NUT, M14X1.5, DIN74361	KUGELBUNDMUTTER, M14X1.5, DIN74361	KOGELMOER, M14X1.5, DIN74361, VERZINKT
13.7	110723	1		REPAIR KIT	WARTUNGSSATZ	REPARATIESET
14	704856	1		HOSE LINE P477TCCACF181810-2690	SCHLAUCHLEITUNG P477TCCACF181810-2690	HYDROSLANG P477TCCACF181810-2690
15	110746	2		CLAMP	KLEMME	KLEM
16	110724	4		FITTING,BFW18L/LK35 OMD CF	FITTING,BFW18L/LK35 OMD CF	NIPPEL,BFW18L/LK35 OMD CF
16.1	110816	1		O-RING 26X2.5 NBR	O-RING 26X2.5 NBR	O-RING 26X2.5 NBR
17	110720	2		WHEEL MOTOR,BACK,TG,M5	RADMOTOR,HINTEN,TG,M5	WIELMOTOR,ACHTER,TG,M5
17.1	108151	1		SEALKIT	DICHTSATZ	AFDICHTINGSSET
18	101854	4		LOCK NUT M12	MUTTER SELBSTS.VERZ M12	DIN 985 ZELFBORGENDE MOER M12
19	110230	4		WASHER DIN125A,M12-ZN	UNTERLEGSCHIEBE DIN125A,M12-ZN	SLUITRING DIN125A,M12-ZN
20	110716	4		SCREW,SOC,DIN912,M12X65-8.8-ZN	ZYL.SCHRAUBE,ISK,DIN912,M12X65-8.8-ZN	CIL.BOUT,BZK,DIN912,M12X65-8.8-ZN
21	110747	1		COVER PLATE	DECKPLATTE	DEKPLAAT
22	704373	1		HOSE LINE P477TCCACF181810-2600	SCHLAUCHLEITUNG P477TCCACF181810-2600	HYDROSLANG P477TCCACF181810-2600
23	110728	1	**X0001 -	SOLENOID 12V AMP,TRACTION BLOCK	MAGNEETVENTIEL 12V AMP,ZUGBLOC	MAGNEETSPOEL 12V AMP,TRACTIEBLOK
23	111539	1	-**W0022	SOLENOID 12V AMP,TRACTION BLOCK M3	MAGNEETVENTIEL 12V AMP,ZUGBLOCK M3	MAGNEETSPOEL 12V AMP,TRACTIEBLOK M3
24	704188	1		HOSE LINE P477TCCACF221810-1135	SCHLAUCHLEITUNG P477TCCACF221810-1135	HYDROSLANG P477TCCACF221810-1135
25	110729	2	**X0001 -	CARTRIDGE,TRACTION BLOCK	VENTILPATRONE,ZUGBLOCK	VENTIELPATROON,TRACTIEBLOK
25.1	110730	1	**X0001 -	SEAL KIT,CARTRIDGE M3	ABDICHTUNGSSATZ,VENTILPATRONE M3	PAKKINGSET,VENTIELPATROON M3
25	112234	2	-**W0022	CARTRIDGE,TRACTION BLOCK M3	VENTILPATRONE,ZUGBLOCK M3	VENTIELPATROON,TRACTIEBLOK M3
25.1	110730	1	-**W0022	SEAL KIT,CARTRIDGE M3	ABDICHTUNGSSATZ,VENTILPATRONE M3	PAKKINGSET,VENTIELPATROON M3
26	704189	1		HOSE LINE P477TCCACF221810-1835	SCHLAUCHLEITUNG P477TCCACF221810-1835	HYDROSLANG P477TCCACF221810-1835
27	101616	2		SWIVEL NUT ELBOW 22L	EINSTELBARE WINKEL-STUTZEN 22L	INSTELBARE HAAKSE KOPPELING 22L

SERIAL NUMBER: -**W0021



DRIVING HYDRAULICS | FAHRHYDRAULIK | RIJHYDRAULIEK
50705-106
F5/R5

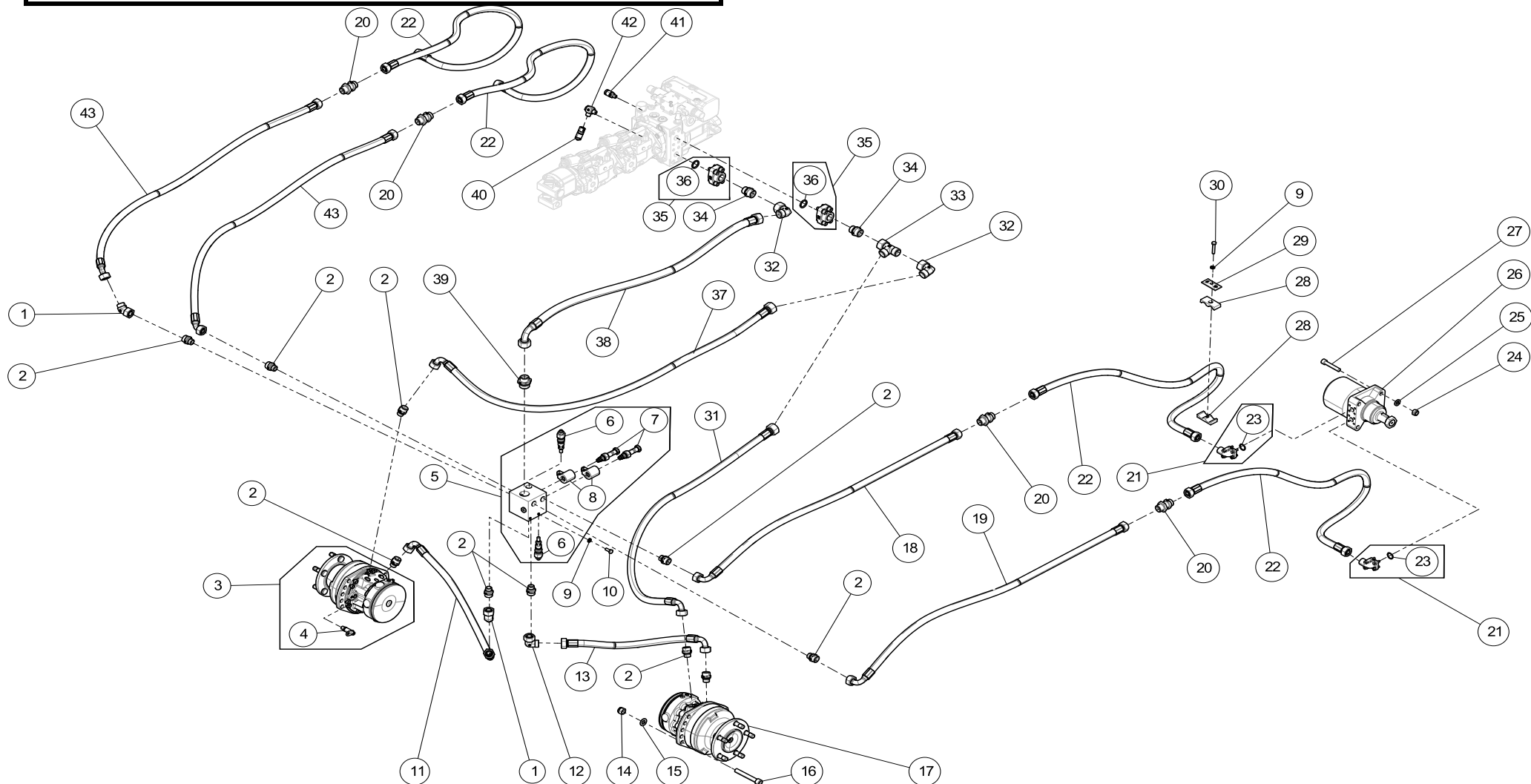
KEY	PART NO.	QTY	SERIAL NO.	DESCRIPTION	BESCHREIBUNG	OMSCHRIJVING
28	101595	1		SWIVEL NUT RUN TEE 22L	EINSTELLBARE L-STUTZEN 22L	INTELBARE L-KOPPELING 22L
29	101658	2		MALE STUD ADAPTER 22L - 3/4"	GERADE EINSCHRAUB ADAPTER 22L - 3/4"	RECHTE INSCHROEFKOPPELING 22L - 3/4"
30	110736	1		O-RING,25X3,53 NBR	O-RING,25X3,53 NBR	O-RING,25X3,53 NBR
31	110743	1		BANJO ELBOW 8L	WINKEL-SCHWENKVERSCHRAUBUNG 8L	INTELBARE BANJO 8L
32	110735	1		FLANGE,PFF63GCFM	FLANSCH,PFF63GCFM	FLENS,PFF63GCFM
33	110719	1		MEASURING COUPLING,M12X1.5	MESSANSCHLUSS,M12X1.5	MEETPUNTAANSLUITING,M12X1.5
34	101783	1		MEASUREPOINT PIPEFITTING 8L (M16X2)	MESSPUNKT ROHRVERSCHRAUBUNG 8L (M16X2)	MEETPUNT OPSCHROEFKOPPELING 8L (M16X2)
35	704190	1		HOSE LINE P477TCCACF222212-1065	SCHLAUCHLEITUNG P477TCCACF222212-1065	HYDROSLANG P477TCCACF222212-1065
36	101657	1		MALE STUD ADAPTER 22L - 1"	GERADE EINSCHRAUB ADAPTER 22L - 1"	RECHTE INSCHROEFKOPPELING 22L - 1"
37	705498	2		HOSE LINE P477TCCACE181810-2840	SCHLAUCHLEITUNG P477TCCACE181810-2840	HYDROSLANG P477TCCACE181810-2840

DRIVING HYDRAULICS | FAHRHYDRAULIK | RIJHYDRAULIEK

50705-106

F5/R5

SERIAL NUMBER: **W0022 -

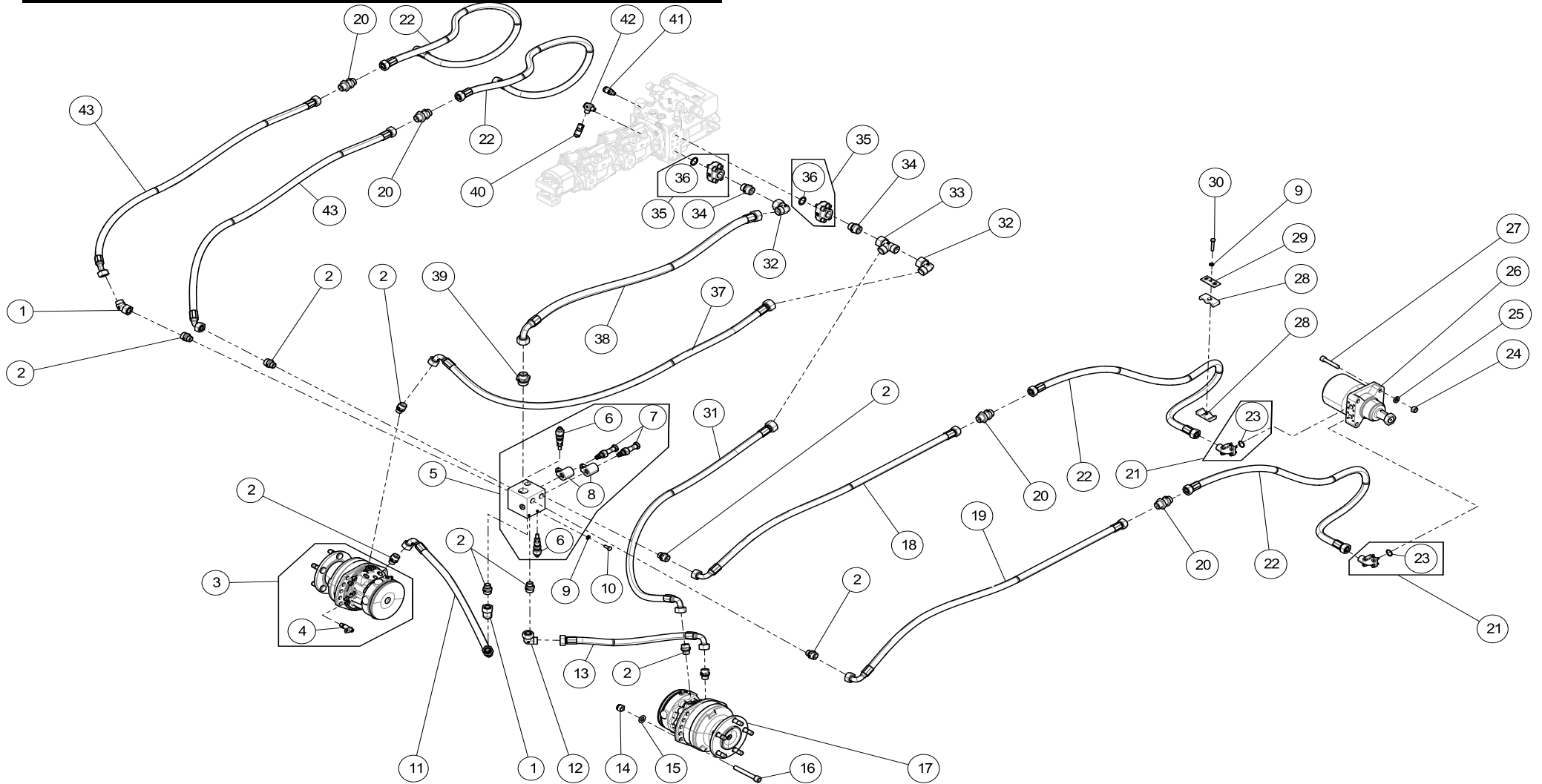


DRIVING HYDRAULICS | FAHRHYDRAULIK | RIJHYDRAULIEK
50705-106
F5/R5

KEY	PART NO.	QTY	SERIAL NO.	DESCRIPTION	BESCHREIBUNG	OMSCHRIJVING
1	110734	2		FITTING,EV18LOMDCF	FITTING,EV18LOMDCF	NIPPEL,EV18LOMDCF
2	110745	10		MALE STUD ADAPTER 18L	GERADE EINSCHRAUB ADAPTER 18L	RECHTE INSCHROEFKOPPELING 18L
3	110725	1		WHEEL MOTOR FRONT RIGHT,FR5	RADMOTOR VORNE RECHTS,FR5	WIELMOTOR VOOR RECHTS,FR5
3.1	110737	1		SEALKIT MSE02	DICHTUNGSSATZ MSE02	AFDICHTSET MSE02
3.2	110738	1		BRAKE ASSEMBLY MSE02	BREMSE KPL. MSE02	REM KPL. MSE02
3.3	110739	1		REPAIR KIT MSE02	WARTUNGSSATZ MSE02	REPARATIESET MSE02
3.4	110740	1		REPAIR KIT	DICHTUNGSSATZ	AFDICHTSET
3.5	110741	1		WHEEL FLANGE BOLT SET MSE02	RADFLANGBOLZENSATZ MSE02	WIELBOUTENSET MSE02
3.6	111976	5		WHEEL NUT, M14X1.5, DIN74361	KUGELBUNDMUTTER, M14X1.5, DIN74361	KOGELMOER, M14X1.5, DIN74361, VERZINKT
3.7	110723	1		REPAIR KIT	WARTUNGSSATZ	REPARATIESET
4	110726	1		SPEED SENSOR	GESCHWINDIGKEITSSENSOR	SNELHEIDSSENSOR
5	50699-118	1	**X0001 -	FR302 4WD BLOCK	FR302 4WD BLOCK	FR302 4WD BLOK
5.1	110733	2	-**W0022	SCREW PLUG,TRACTION BLOCK M3	VERSCHLUSSSCHRAUBE,ZUGBLOCK M3	AFSLUITSCHROEF,TRACTIEBLOK M3
5	110727	1	-**W0022	TRACTION BLOCK	ZUGBLOCK	TRACTIEBLOK
5.1	110733	2		SCREW PLUG,TRACTION BLOCK M3	VERSCHLUSSSCHRAUBE,ZUGBLOCK M3	AFSLUITSCHROEF,TRACTIEBLOK M3
6	110731	2		PRESSURE RELIEF VALVE,TRACTION BLOCK M3	UBERDRUCKVENTIL,ZUGBLOCK M3	OVERDRUKVENTIEL,TRACTIEBLOK M3
6.1	110732	2		SEAL KIT,PRESSURE RELIEF VALVE M3	ABDICHTUNGSSATZ,UBERDRUCKVENTIL M3	PAKKINGSET,OVERDRUKVENTIEL, M3
7	110729	2	**X0001 -	CARTRIDGE,TRACTION BLOCK	VENTILPATRONE,ZUGBLOCK	VENTIELPATROON,TRACTIEBLOK
7.1	110730	1	**X0001 -	SEAL KIT,CARTRIDGE M3	ABDICHTUNGSSATZ,VENTILPATRONE M3	PAKKINGSET,VENTIELPATROON M3
7	112234	2	-**W0022	CARTRIDGE,TRACTION BLOCK M3	VENTILPATRONE,ZUGBLOCK M3	VENTIELPATROON,TRACTIEBLOK M3
7.1	110730	1	-**W0022	SEAL KIT,CARTRIDGE M3	ABDICHTUNGSSATZ,VENTILPATRONE M3	PAKKINGSET,VENTIELPATROON M3
8	110728	1	**X0001 -	SOLENOID 12V AMP,TRACTION BLOCK	MAGNEETVENTIEL 12V AMP,ZUGBLOC	MAGNEETSPOEL 12V AMP,TRACTIEBLOK
8	111539	1	-**W0022	SOLENOID 12V AMP,TRACTION BLOCK M3	MAGNEETVENTIEL 12V AMP,ZUGBLOCK M3	MAGNEETSPOEL 12V AMP,TRACTIEBLOK M3
9	110197	4		WASHER,SPRING,DIN128,M8-ZN	FEDERRING,DIN128,M8-ZN	VEERRING,DIN128,M8-ZN
10	110192	2		SCREW,HEX,DIN933,M8X20-8.8-ZN	SKT.SCHRAUBE,DIN933,M8X20-8.8-ZN	ZESK.TAPBOUT,DIN933,M8X20-8.8-ZN

DRIVING HYDRAULICS | FAHRHYDRAULIK | RIJHYDRAULIEK
50705-106
F5/R5

SERIAL NUMBER: **W0022 -

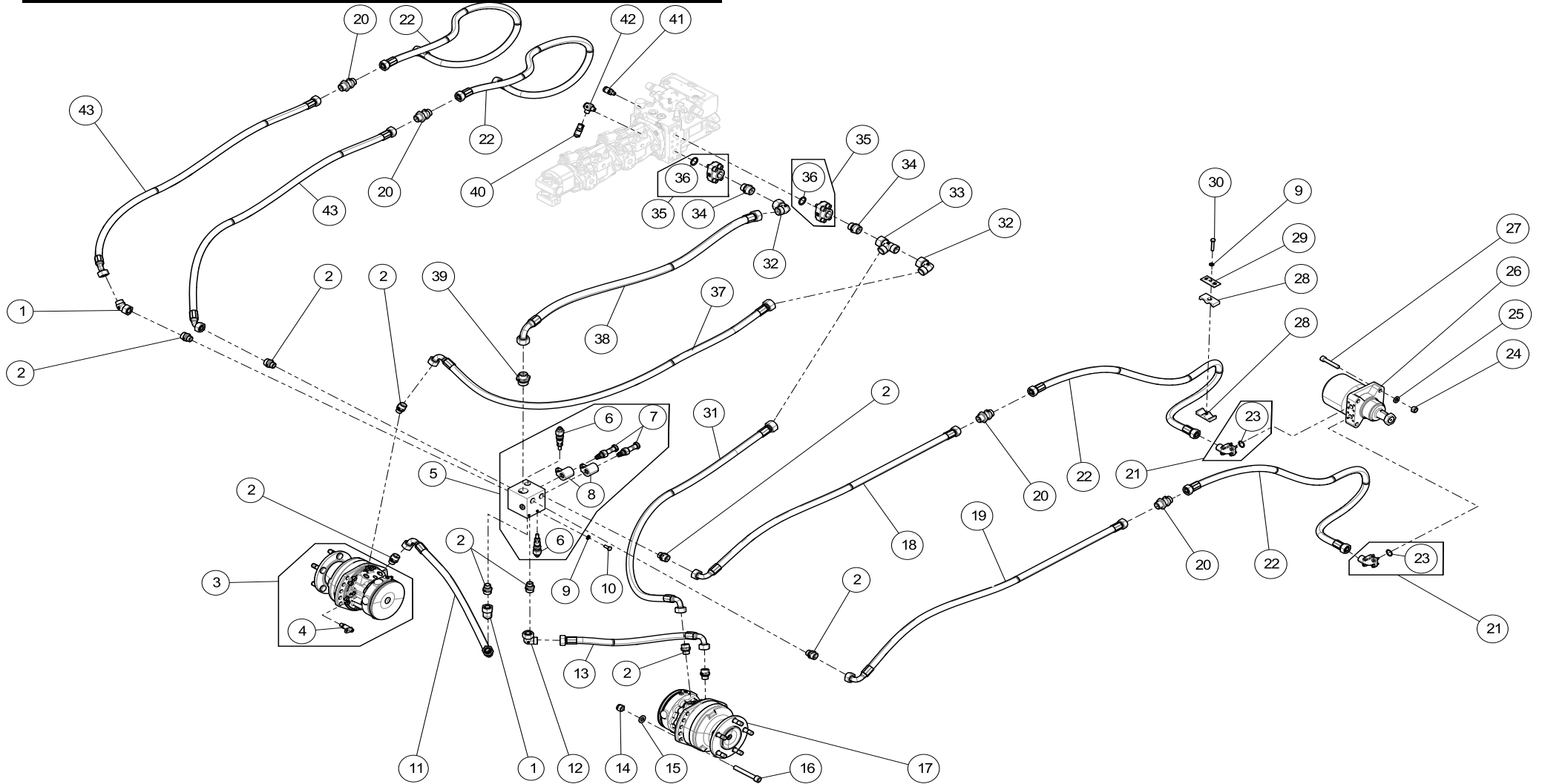


DRIVING HYDRAULICS | FAHRHYDRAULIK | RIJHYDRAULIEK
50705-106
F5/R5

KEY	PART NO.	QTY	SERIAL NO.	DESCRIPTION	BESCHREIBUNG	OMSCHRIJVING
11	704192	1		HOSE LINE P477TCCACF181810-0775	SCHLAUCHLEITUNG P477TCCACF181810-0775	HYDROSLANG P477TCCACF181810-0775
12	110744	1		SWIVEL NUT ELBOW 18L	EINSTELBARE WINKEL-STUTZEN 18L	INSTELBARE HAAKSE KOPPELING 18L
13	704191	1		HOSE LINE P477TCCACF181810-0590	SCHLAUCHLEITUNG P477TCCACF181810-0590	HYDROSLANG P477TCCACF181810-0590
14	110718	6		LOCKNUT,DIN982,M14-10-ZN	SICHERUNGSMUTTER,DIN982,M14-10-ZN	ZESK.BORGMOER,DIN982,M14-10-ZN
15	110453	6		WASHER,DIN125,14-200HV-ZN	UNTERLEGSCHIEBE,DIN125,14-200HV-ZN	SLUITRING,DIN125,14-200HV-ZN
16	110717	6		"TENSILOCK BOLT,M8X25 VZ"	ZYLINDERSCHRAUBE,M14X100,DIN912,12.9	INBUSBOUT,M14X100,DIN912,12.9
17	110722	1		WHEEL MOTOR FRONT LEFT,FR5	RADMOTOR VORNE LINKS,FR5	WIELMOTOR VOOR LINKS,FR5
17.1	110737	1		SEALKIT MSE02	DICHTUNGSSATZ MSE02	AFDICHTSET MSE02
17.2	110738	1		BRAKE ASSEMBLY MSE02	BREMSE KPL. MSE02	REM KPL. MSE02
17.3	110739	1		REPAIR KIT MSE02	WARTUNGSSATZ MSE02	REPARATIESET MSE02
17.4	110740	1		REPAIR KIT	DICHTUNGSSATZ	AFDICHTSET
17.5	110741	1		WHEEL FLANGE BOLT SET MSE02	RADFLANGBOLZENSATZ MSE02	WIELBOUTENSET MSE02
17.6	111976	5		WHEEL NUT, M14X1.5, DIN74361	KUGELBUNDMUTTER, M14X1.5, DIN74361	KOGELMOER, M14X1.5, DIN74361, VERZINKT
17.7	110723	1		REPAIR KIT	WARTUNGSSATZ	REPARATIESET
18	704196	1		HOSE LINE	SCHLAUCHLEITUNG	HYDROSLANG
19	704193	1		HOSE LINE	SCHLAUCHLEITUNG	HYDROSLANG
20	110742	4		BULKHEAD UNION 18L	GERADER SCHOTTSTUTZEN 18L	SCHOTVERBINDER 18L
21	110724	2		FITTING,BFW18L/LK35 OMD CF	FITTING,BFW18L/LK35 OMD CF	NIPPEL,BFW18L/LK35 OMD CF
22	704194	4		HOSE LINE	ROBERINE SCHLAUCHLEITUNG	HYDROSLANG
23	110816	1		O-RING 26X2.5 NBR	O-RING 26X2.5 NBR	O-RING 26X2.5 NBR
24	101854	4		LOCK NUT M12	MUTTER SELBSTS.VERZ M12	DIN 985 ZELFBORGENDE MOER M12
25	110230	4		WASHER DIN125A,M12-ZN	UNTERLEGSCHIEBE DIN125A,M12-ZN	SLUITRING DIN125A,M12-ZN
26	110720	2		WHEEL MOTOR,BACK,TG,M5	RADMOTOR,HINTEN,TG,M5	WIELMOTOR,ACHTER,TG,M5
26.1	108151	1		SEALKIT	DICHTSATZ	AFDICHTINGSSET
27	110716	4		SCREW,SOC,DIN912,M12X65-8.8-ZN	ZYL.SCHRAUBE,ISK,DIN912,M12X65-8.8-ZN	CIL.BOUT,BZK,DIN912,M12X65-8.8-ZN

DRIVING HYDRAULICS | FAHRHYDRAULIK | RIJHYDRAULIEK
50705-106
F5/R5

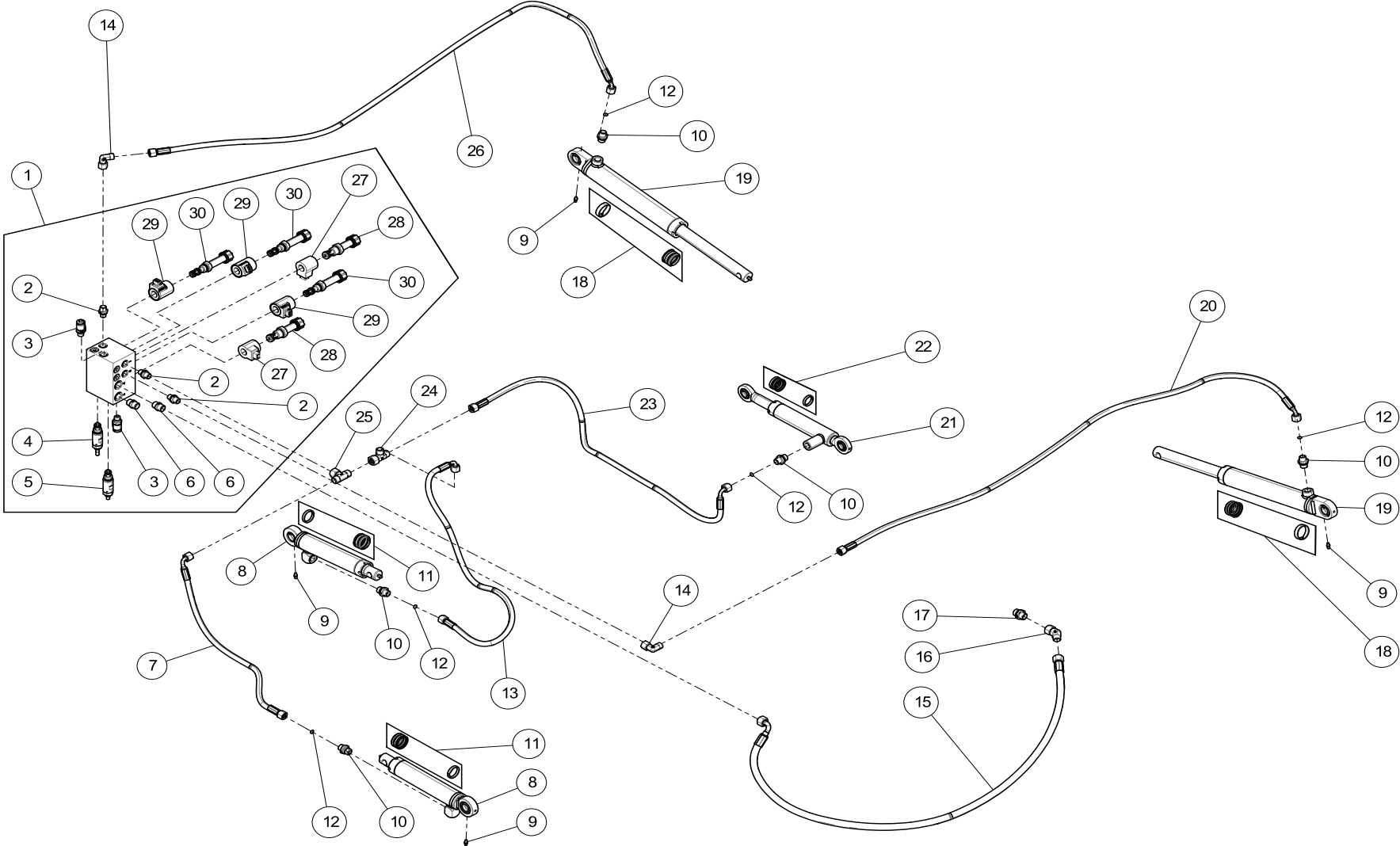
SERIAL NUMBER: **W0022 -



DRIVING HYDRAULICS | FAHRHYDRAULIK | RIJHYDRAULIEK
50705-106
F5/R5

KEY	PART NO.	QTY	SERIAL NO.	DESCRIPTION	BESCHREIBUNG	OMSCHRIJVING
28	110746	2		CLAMP	KLEMME	KLEM
29	110747	1		COVER PLATE	DECKPLATTE	DEKPLAAT
30	110715	2		SCREW,HEX,DIN933,M8X45-8.8-ZN	SKT.SCHRAUBE,DIN933,M8X45-8.8-ZN	ZESK.TAPBOUT,DIN933,M8X45-8.8-ZN
31	704188	1		HOSE LINE P477TCCACF221810-1135	SCHLAUCHLEITUNG P477TCCACF221810-1135	HYDROSLANG P477TCCACF221810-1135
32	101616	2		SWIVEL NUT ELBOW 22L	EINSTELBARE WINKEL-STUTZEN 22L	INSTELBARE HAAKSE KOPPELING 22L
33	101595	1		SWIVEL NUT RUN TEE 22L	EINTELLBARE L-STUTZEN 22L	INSTELBARE L-KOPPELING 22L
34	101658	2		MALE STUD ADAPTER 22L - 3/4"	GERADE EINSCHRAUB ADAPTER 22L - 3/4"	RECHTE INSCHROEFKOPPELING 22L - 3/4"
35	110735	2		FLANGE,PPF63GCFM	FLANSCH,PPF63GCFM	FLENS,PPF63GCFM
36	110736	1		O-RING,25X3,53 NBR	O-RING,25X3,53 NBR	O-RING,25X3,53 NBR
37	704189	1		HOSE LINE P477TCCACF221810-1835	SCHLAUCHLEITUNG P477TCCACF221810-1835	HYDROSLANG P477TCCACF221810-1835
38	704190	1		HOSE LINE P477TCCACF222212-1065	SCHLAUCHLEITUNG P477TCCACF222212-1065	HYDROSLANG P477TCCACF222212-1065
39	101657	1		MALE STUD ADAPTER 22L - 1"	GERADE EINSCHRAUB ADAPTER 22L - 1"	RECHTE INSCHROEFKOPPELING 22L - 1"
40	101783	1		MEASUREPOINT PIPEFITTING 8L (M16X2)	MESSPUNKT ROHRVERSCHRAUBUNG 8L (M16X2)	MEETPUNT OPSCHROEFKOPPELING 8L (M16X2)
41	110719	1		MEASURING COUPLING,M12X1.5	MESSANSCHLUSS,M12X1.5	MEETPUNTAANSLUITING,M12X1.5
42	110743	1		BANJO ELBOW 8L	WINKEL-SCHWENKVERSCHRAUBUNG 8L	INSTELBARE BANJO 8L
43	704195	2		HOSE LINE	SCHLAUCHLEITUNG	HYDROSLANG

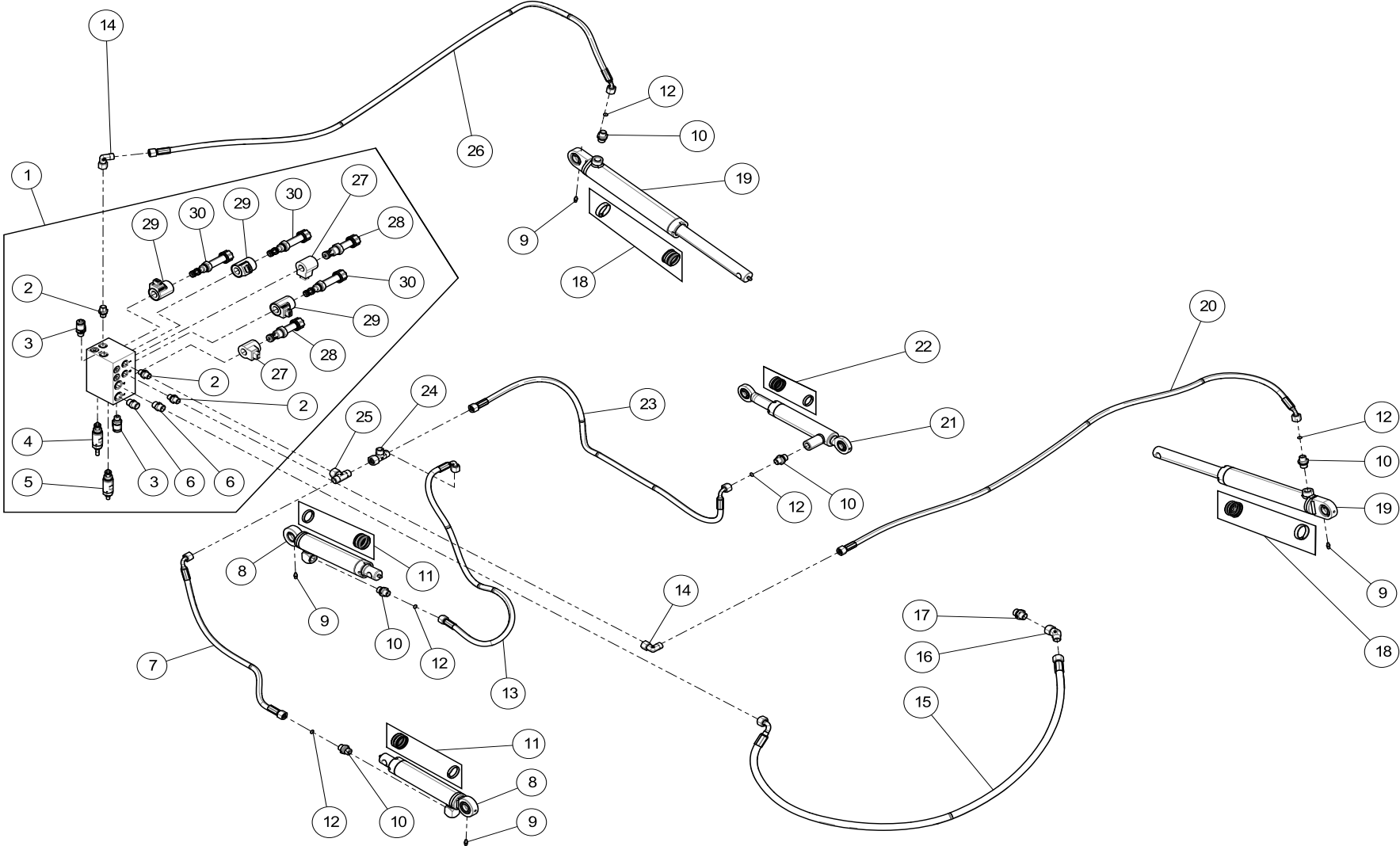
LIFTING HYDRAULICS | HUBHYDRAULIK | HEFHYDRAULIEK
50705-107
F5/R5



LIFTING HYDRAULICS | HUBHYDRAULIK | HEFHYDRAULIEK
50705-107
F5/R5

KEY	PART NO.	QTY	SERIAL NO.	DESCRIPTION	BESCHREIBUNG	OMSCHRIJVING
1	704200	1		LIFT VALVE FR5	HUBVENTIL FR5	HEFVENTIEL FR5
2	101639	3		MALE STUD ADAPTER 10L - 1/4"	GERADE EINSCHRAUB ADAPTER 10L - 1/4"	RECHTE INSCHROEFKOPPELING 10L - 1/4"
3	101597	2		MEASUREMENT POINT 1/4" BSP (M16X2)	MESSPUNKT EINSCHRAUBVERBINDUNG 1/4" BSP	MEETPUNT INSCHROEFKOPPELING 1/4" BSP (M1
4	110759	1		PRESSURE RELIEF VALVE	DRUECKBEGRENZUNGSVENTIL	DRUKBEGRENZINGSVENTIEL
5	110774	1		PRESSURE RELIEF VALVE	DRÜCKBEGRENZUNGSVENTIL	DRUKBEGRENZINGSVENTIEL
6	101645	2		MALE STUD ADAPTER 12L - 3/8"	GERADE EINSCHRAUB ADAPTER 12L - 3/8"	RECHTE INSCHROEFKOPPELING 12L - 3/8"
7	704203	1		HOSE LINE P487TCCACF101004-0640	SCHLAUCHLEITUNG P487TCCACF101004-0640	HYDROSLANG P487TCCACF101004-0640
8	704598	2		LIFT CYLINDER,M3	HUBZYLINDER,M3	HEFCILINDER,M3
9	110233	4		GREASE ZERK,DIN71412,M6X1-H1-180DEGREE	SCHMIERNIPPEL,DIN71412,M6X1-H1-180GRAD	SMEERNIPPEL,DIN71412,M6X1-H1-180GRADEN
10	0081.1528	5		FITTING,GE10LR3/8EDOMDCF	VERSCHRAUBUNG,GE10LR3/8EDOMDCF	NIPPEL,GE10LR3/8EDOMDCF
11	111268	2		SEAL KIT	DICHTUNGSSATZ	AFDICHTSET
12	704210	5		RESTRICTOR,0.7MM	BLENDE,0.7MM	SMORING,0.7MM
13	704204	1		HOSE LINE P487TCCACF101004-0835	SCHLAUCHLEITUNG P487TCCACF101004-0835	HYDROSLANG P487TCCACF101004-0835
14	101613	2		SWIVEL NUT ELBOW 10L	EINSTELBARE WINKEL-STUTZEN 10L	INTELBARE HAAKSE KOPPELING 10L
15	704202	1		HOSE LINE P487TCCACF121206-860	SCHLAUCHLEITUNG P487TCCACF121206-860	HYDROSLANG P487TCCACF121206-860
16	110761	1		FITTING,EV12LOMDCF	FITTING,EV12LOMDCF	NIPPEL,EV12LOMDCF
17	101640	1		MALE STUD ADAPTER 12L - M18X1,5	GERADE EINSCHRAUB ADAPTER 12L - M18X1,5	RECHTE INSCHROEFKOPPELING 12L - M18X1,5
18	110762	2		SEAL KIT	DICHTUNGSSATZ	AFDICHTSET
19	704208	2		LIFT CYLINDER SIDE UNITS FR5	HUBZYLINDER SEITENMAHUNIT FR5	HEFCILINDER ZIJKOOIEN FR5
20	704206	1		HOSE LINE P487TCCACE101004-1460	SCHLAUCHLEITUNG P487TCCACE101004-1460	HYDROSLANG P487TCCACE101004-1460
21	704201	1		LIFT CYLINDER CENTER FR5	HUBZYLINDER MITTE FR5	HEFCILINDER MIDDEN FR5
22	110763	1		SEAL KIT	DICHTUNGSSATZ	AFDICHTSET
23	704205	1		HOSE LINE P487TCCACF101004-1310	SCHLAUCHLEITUNG P487TCCACF101004-1310	HYDROSLANG P487TCCACF101004-1310
24	101592	1		SWIVEL NUT RUN TEE 10L	EINSTELBARE L-STUTZEN 10L	INTELBARE L-KOPPELING 10L
25	101600	1		SWIVEL NUT BRANCH TEE 10L	EINSTELBARE T-STUTZEN 10L	INTELBARE T-KOPPELING 10L

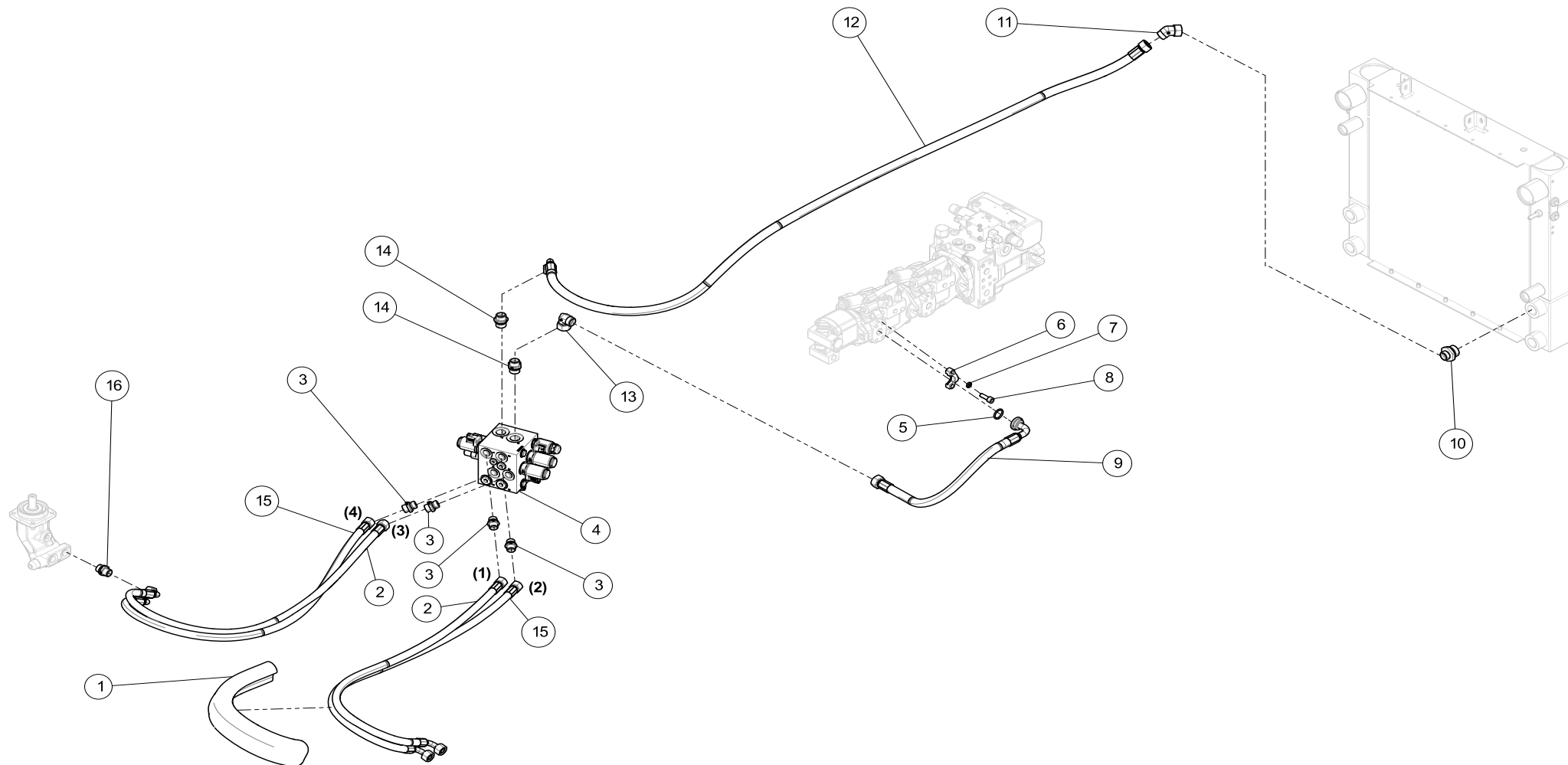
LIFTING HYDRAULICS | HUBHYDRAULIK | HEFHYDRAULIEK
50705-107
F5/R5



LIFTING HYDRAULICS | HUBHYDRAULIK | HEFHYDRAULIEK
50705-107
F5/R5

KEY	PART NO.	QTY	SERIAL NO.	DESCRIPTION	BESCHREIBUNG	OMSCHRIJVING
26	704207	1		HOSE LINE P487TCCACE101004-1600	SCHLAUCHLEITUNG P487TCCACE101004-1600	HYDROSLANG P487TCCACE101004-1600
27	110770	2		SOLENOID 12V 2/2 (18MM) AMP	MAGNEETVENTIL 12V 2/2 (18MM) AMP	MAGNEETSPOEL 12V 2/2 (18MM) AMP
27.1	110771	1		SEAL KIT SOLENOID 12V 2/2 (18MM)	DICHTUNGSSATZ SOLENOID 12V 2/2 (18MM)	AFDCIHTSET SOLENOID 12V 2/2 (18MM)
28	110769	2		CARTRIDGE 2/2 (18MM)	VENTILPATRONE 2/2 (18MM)	VENTIELPATROON 2/2 (18MM)
29	110767	3		SOLENOID 12V (18MM)	MAGNEETVENTIL 12V (18MM)	MAGNEETSPOEL 12V (18MM)
29.1	110768	1		SEAL KIT SOLENOID 12V 3/2 (18MM)	DICHTUNGSSATZ SOLENOID 12V 3/2 (18MM)	AFDCIHTSET SOLENOID 12V 3/2 (18MM)
30	110765	3		CARTRIDGE 3/2 (18MM)	VENTILPATRONE 3/2 (18MM)	VENTIELPATROON 3/2 (18MM)
30.1	110766	1		SEAL KIT CARTRIDGE 3/2 AND 2/2 (18MM)	DICHTUNGSSATZ CARTRIDGE 3/2 UND 2/2 (18MM)	AFDCIHTSET CARTRIDGE 3/2 EN 2/2 (18MM)

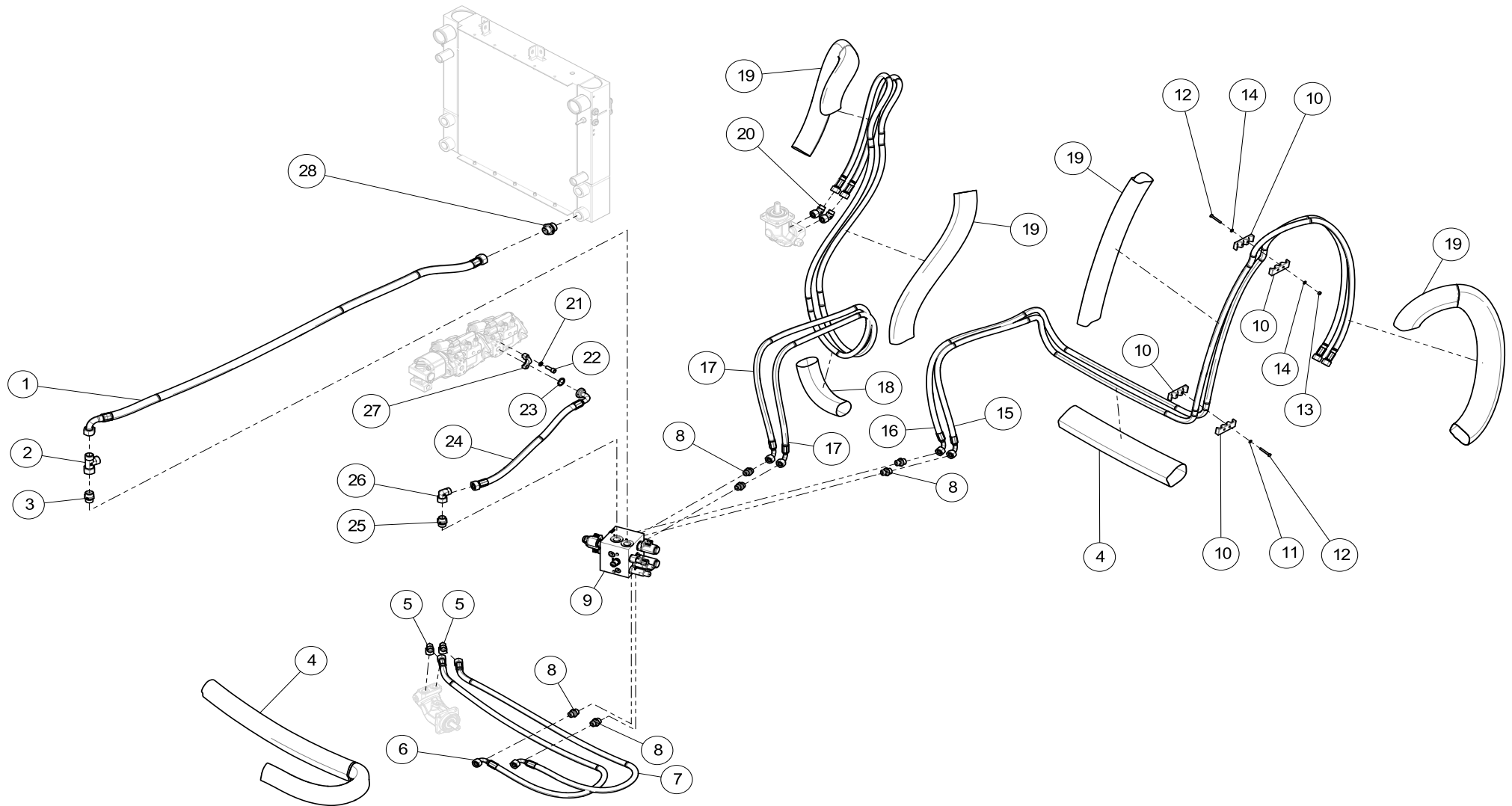
MOWING HYDRAULICS | MAEHYDRAULIK | MAAIHYDRAULIEK
50705-108
F5/R5



MOWING HYDRAULICS | MAEHYDRAULIK | MAAIHYDRAULIEK
50705-108
F5/R5

KEY	PART NO.	QTY	SERIAL NO.	DESCRIPTION	BESCHREIBUNG	OMSCHRIJVING
1	110668	2		HOSE PROTECTION AS B 37 1050	SCHUTZSCHLAUCH AS B 37 1050	BESCHERMESLANG AS B 37 1050
2	704220	2		HOSE LINE P477TCCACF151508-1430	SCHLAUCHLEITUNG P477TCCACF151508-1430	HYDROSLANG P477TCCACF151508-1430
3	101650	4		MALE STUD ADAPTER 15L - 1/2"	GERADE EINSCHRAUB ADAPTER 15L - 1/2"	RECHTE INSCHROEFKOPPELING 15L - 1/2"
4	704212	1		MOWING BLOCK,TWO-WAY,FR5	MAEHBLOK,ZWEIFACH,FR5	MAAIBLOK,TWEEVOUDIG,FR5
5	110736	1		O-RING,25X3,53 NBR	O-RING,25X3,53 NBR	O-RING,25X3,53 NBR
6	110797	4		FLANGE CLAMP,FHS33CFX	FLANSCHKLAMME,FHS33CFX	FLENSKLEM,FHS33CFX
7	110199	8		SPRING WASHER DIN7980 M10	FEDERRING M10 DIN7980	VEERRING DIN7980-M10-ELVZ
8	110778	8		SCREW,SOC,DIN912,M10X30-10.9-ZN	ZYL.SCHRAUBE,ISK,DIN912,M10X30-10.9-ZN	CIL.BOUT,BZK,DIN912,M10X30-10.9-ZN
9	704218	1		HOSE LINE P477TCCA19181210-0780	SCHLAUCHLEITUNG P477TCCA19181210-0780	HYDROSLANG P477TCCA19181210-0780
10	110798	2		FITTING GE18LR1EDOMDCF	FITTING GE18LR1EDOMDCF	NIPPEL GE18LR1EDOMDCF
11	110734	1		FITTING,EV18LOMDCF	FITTING,EV18LOMDCF	NIPPEL,EV18LOMDCF
12	704219	1		HOSE LINE,387TCCACF181810-2380	SCHLAUCHLEITUNG,387TCCACF181810-2380	HYDROSLANG,387TCCACF181810-2380
13	110744	2		SWIVEL NUT ELBOW 18L	EINSTELBARE WINKEL-STUTZEN 18L	INTELBARE HAAKSE KOPPELING 18L
14	110791	3		FITTING GE18LR3/4EDOMDCF	FITTING GE18LR3/4EDOMDCF	NIPPEL GE18LR3/4EDOMDCF
15	704221	2		HOSE LINE P477TCCACF151508-1360	SCHLAUCHLEITUNG P477TCCACF151508-1360	HYDROSLANG P477TCCACF151508-1360
16	101647	1		MALE STUD ADAPTER 15L - M22X1,5	GERADE EINSCHRAUB ADAPTER 15L - M22X1,5	RECHTE INSCHROEFKOPPELING 15L - M22X1,5

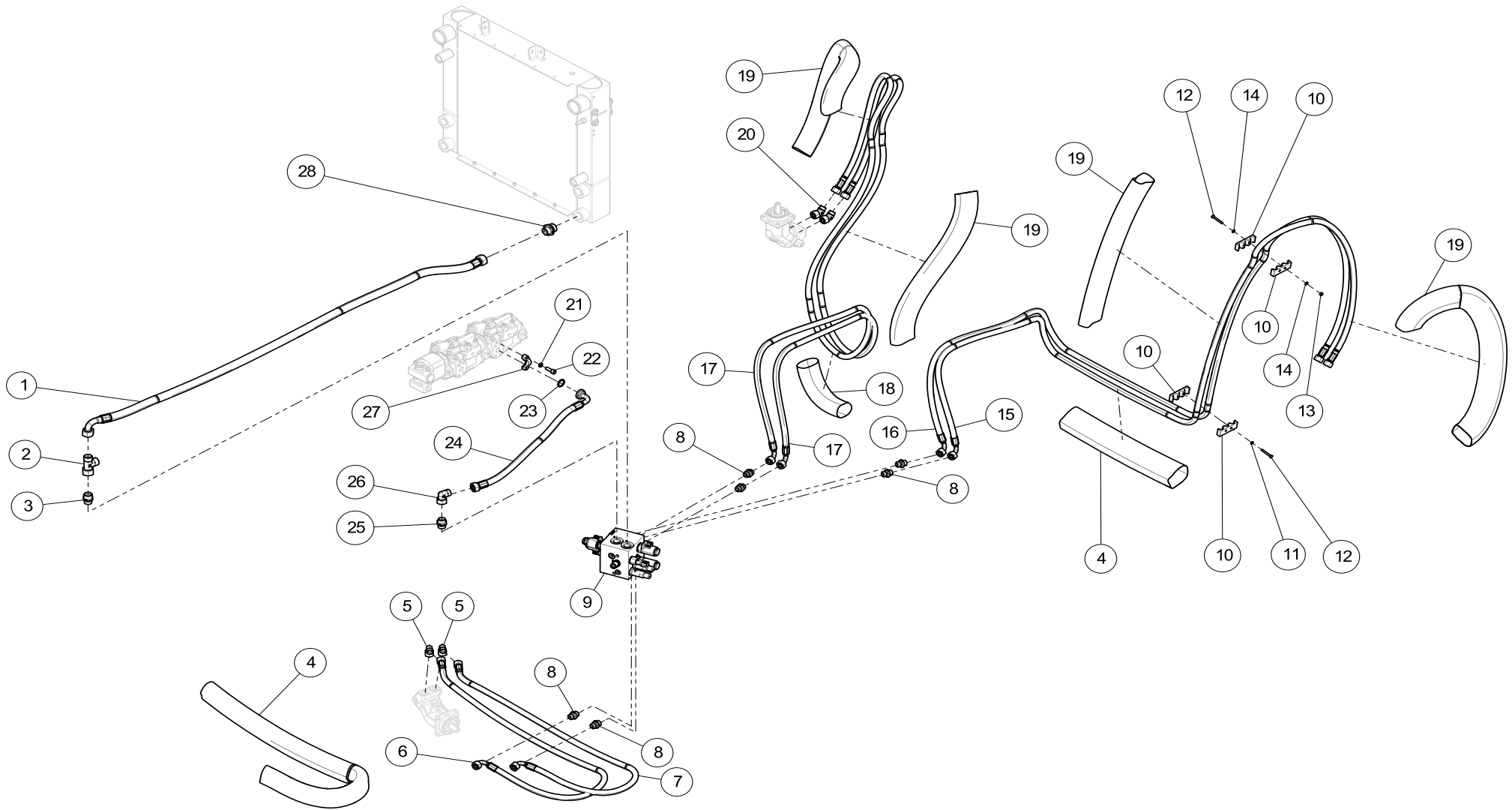
MOWING HYDRAULICS | MAEHYDRAULIK | MAAIHYDRAULIEK
50705-108
F5/R5



MOWING HYDRAULICS | MAEHYDRAULIK | MAAIHYDRAULIEK
50705-108
F5/R5

KEY	PART NO.	QTY	SERIAL NO.	DESCRIPTION	BESCHREIBUNG	OMSCHRIJVING
1	704217	1		HOSE LINE P811CACF222212-1800	SCHLAUCHLEITUNG P811CACF222212-1800	HYDROSLANG P811CACF222212-1800
2	101595	1		SWIVEL NUT RUN TEE 22L	EINSTELLBARE L-STUTZEN 22L	INSTELBARE L-KOPPELING 22L
3	111964	1		FITTING,GE22LR3/4OMD CF	FITTING,GE22LR3/4OMD CF	NIPPEL,GE22LR3/4OMD CF
4	110668	2		HOSE PROTECTION AS B 37 1050	SCHUTZSCHLAUCH AS B 37 1050	BESCHERMESLANG AS B 37 1050
5	101615	2		SWIVEL NUT ELBOW 15L	EINSTELBARE WINKEL-STUTZEN 15L	INSTELBARE HAAKSE KOPPELING 15L
6	704223	1		HOSE LINE P477TCCACF151508-1920	SCHLAUCHLEITUNG P477TCCACF151508-1920	HYDROSLANG P477TCCACF151508-1920
7	704222	1		HOSE LINE P477TCCACF151508-2060	SCHLAUCHLEITUNG P477TCCACF151508-2060	HYDROSLANG P477TCCACF151508-2060
8	101650	6		MALE STUD ADAPTER 15L - 1/2"	GERADE EINSCHRAUB ADAPTER 15L - 1/2"	RECHTE INSCHROEFKOPPELING 15L - 1/2"
9	704211	1		MOWING BLOCK HYDAC,M3	MAEBLOK HYDAC,M3	MAAIBLOK HYDAC,M3
10	110796	8		HOSE CLAMP,TRIPLE	SCHLAUCHSCHELLE,DREIFACH	SLANGKLEM,DRIEVOUDIG
11	110848	4		LOCKWASHER,DIN128,A6MM ZN	FEDERRING,DIN128,A6MM ZN	VEERRING,DIN128,A6MM ZN
12	110777	8		SCREW,HEX,DIN933,M6X45-8.8-ZN	SKT.SCHRAUBE,DIN933,M6X45-8.8-ZN	ZESK.TAPBOUT,DIN933,M6X45-8.8-ZN
13	101851	4		LOCK NUT M6	MUTTER SELBSTS.VERZ M6	DIN 985 ZELFBORGENDE MOER M6
14	110073	8		WASHER	UNTERLEGSCHIEBE	SLUITRING
15	704214	1		HOSE LINE P477TCCACF151508-3650	SCHLAUCHLEITUNG P477TCCACF151508-3650	HYDROSLANG P477TCCACF151508-3650
16	704215	1		HOSE LINE P477TCCACF151508-3580	SCHLAUCHLEITUNG P477TCCACF151508-3580	HYDROSLANG P477TCCACF151508-3580
17	704216	2		HOSE LINE P477TCCACF151508-3260	SCHLAUCHLEITUNG P477TCCACF151508-3260	HYDROSLANG P477TCCACF151508-3260
18	110669	1		HOSE GUARD,AS-B-35 400	SCHUTZSCHLAUCH,AS-B-35 400	BESCHERMHOES,AS-B-35 400
19	110670	4		HOSE PROTECTION AS B 37 800	SCHUTZSCHLAUCH AS B 37 800	BESCHERMESLANG AS B 37 800
20	101609	4		SWIVEL NUT 45° ELBOW 15L	EINSTELLBARE 45°-WINKELSTUTZEN 15L	INSTELBARE 45°-KOPPELING 15L
21	110199	8		SPRING WASHER DIN7980 M10	FEDERRING M10 DIN7980	VEERRING DIN7980-M10-ELVZ
22	110778	8		SCREW,SOC,DIN912,M10X30-10.9-ZN	ZYL.SCHRAUBE,ISK,DIN912,M10X30-10.9-ZN	CIL.BOUT,BZK,DIN912,M10X30-10.9-ZN
23	110736	2		O-RING,25X3,53 NBR	O-RING,25X3,53 NBR	O-RING,25X3,53 NBR
24	704213	1		HOSE LINE P487TCCA19181210-0590	SCHLAUCHLEITUNG P487TCCA19181210-0590	HYDROSLANG P487TCCA19181210-0590
25	110791	2		FITTING GE18LR3/4EDOMDCF	FITTING GE18LR3/4EDOMDCF	NIPPEL GE18LR3/4EDOMDCF

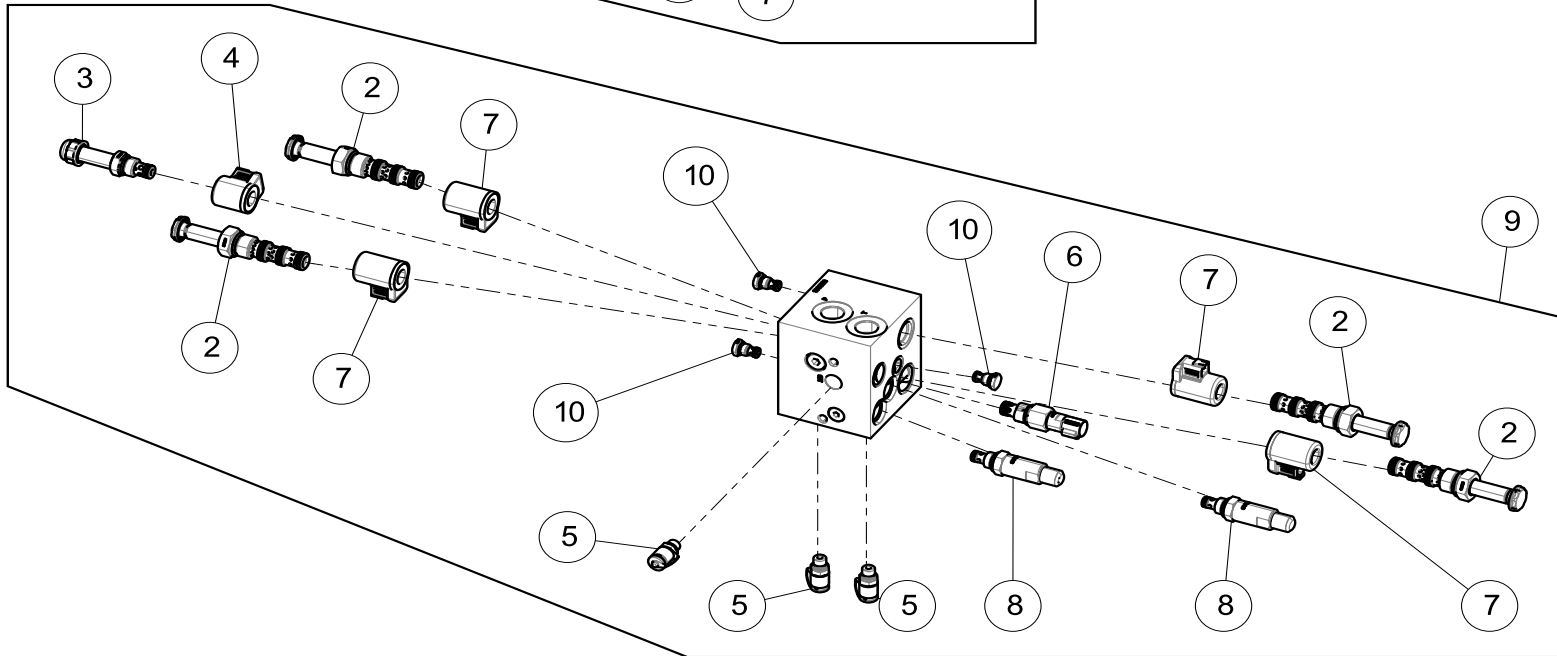
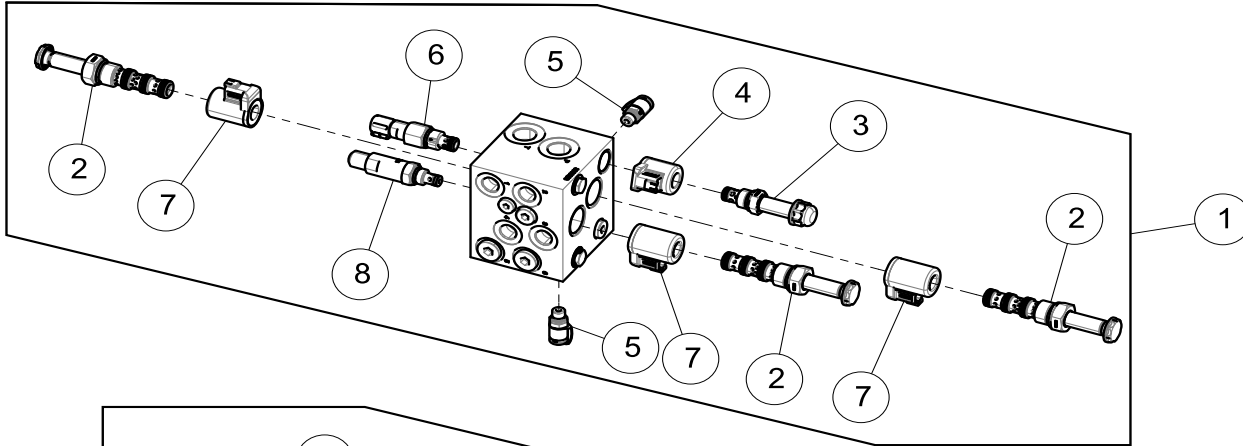
MOWING HYDRAULICS | MAEHYDRAULIK | MAAIHYDRAULIEK
50705-108
F5/R5



MOWING HYDRAULICS | MAEHYDRAULIK | MAAIHYDRAULIEK
50705-108
F5/R5

KEY	PART NO.	QTY	SERIAL NO.	DESCRIPTION	BESCHREIBUNG	OMSCHRIJVING
26	110744	1		SWIVEL NUT ELBOW 18L	EINTELBBARE WINKEL-STUTZEN 18L	INTELBBARE HAAKSE KOPPELING 18L
27	110797	2		FLANGE CLAMP,FHS33CFX	FLANSCHKLAMME,FHS33CFX	FLENSKLEM,FHS33CFX
28	101657	2		MALE STUD ADAPTER 22L - 1"	GERADE EINSCHRAUB ADAPTER 22L - 1"	RECHTE INSCHROEFKOPPELING 22L - 1"

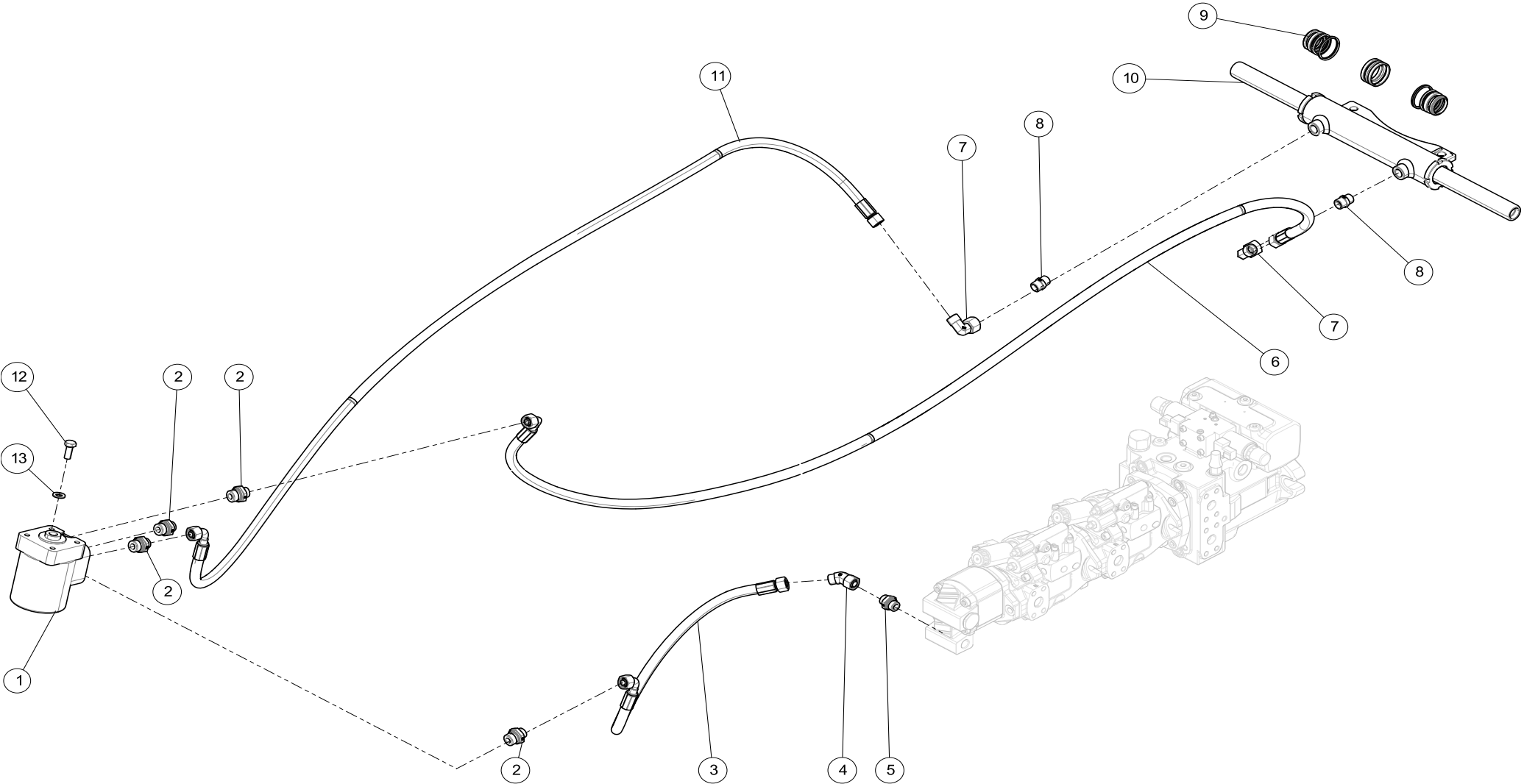
MOWING HYDRAULICS | MAEHYDRAULIK | MAAIHYDRAULIEK
50705-108
F5/R5



MOWING HYDRAULICS | MAEHYDRAULIK | MAAIHYDRAULIEK
50705-108
F5/R5

KEY	PART NO.	QTY	SERIAL NO.	DESCRIPTION	BESCHREIBUNG	OMSCHRIJVING
1	704212	1		MOWING BLOCK,TWO-WAY,FR5	MAEBLOK,ZWEIFACH,FR5	MAAIBLOK,TWEEVOUDIG,FR5
2	110780	7		CARTRIDGE 4/2,MOWING BLOCK,M3	VENTILPATRONE 4/2,MAEBLOK,M3	VENTIELPATROON 4/2,MAAIBLOK,M3
2.1	110781	1		SEAL KIT,CARTRIDGE 4/2,M3	ABDICHTUNGSSATZ,VENTILPATRONE 4/2,M3	PAKKINGSET,VENTIELPATROON 4/2,M3
2.2	110782	1		NUT,CARTRIDGE 4/2,M3	MUTTER,VENTILPATRONE 4/2,M3	MOER,VENTIELPATROON 4/2,M3
3	110790	2		CARTRIDGE 2/2,MOWING BLOCK,M3	VENTILPATRONE 2/2,MAEBLOK,M3	VENTIELPATROON 2/2,MAAIBLOK,M3
3.1	110789	1		SEAL KIT,M3	ABDICHTUNGSSATZ,M3	PAKKINGSET,M3
3.2	110792	1		NUT,CARTRIDGE 2/2,M3	MUTTER,VENTILPATRONE 2/2,M3	MOER,VENTIELPATROON 2/2,M3
4	110793	2		SOLENOID,MOWING BLOCK,M3	MAGNEETVENTIEL,MAEBLOK,M3	MAGNEETSPOEL,MAAIBLOK,M3
5	101597	5		MEASUREMENT POINT 1/4" BSP (M16X2)	MESSPUNKT EINSCHRAUBVERBINDUNG 1/4" BSP	MEETPUNT INSCHROEFKOPPELING 1/4" BSP (M1
6	110788	2		PRESSURE RELIEF VALVE,MOWING BLOCK,M3	UBERDRUCKVENTIL,MAEBLOK,M3	OVERDRUKVENTIEL,MAAIBLOK,M3
6.1	110789	1		SEAL KIT,M3	ABDICHTUNGSSATZ,M3	PAKKINGSET,M3
7	110783	7		SOLENOID,MOWING BLOCK,M3	MAGNEETVENTIEL,MAEBLOK,M3	MAGNEETSPOEL,MAAIBLOK,M3
8	110786	3		PRESSURE RELIEF VALVE,MOWING BLOCK,M3	UBERDRUCKVENTIL,MAEBLOK,M3	OVERDRUKVENTIEL,MAAIBLOK,M3
8.1	110787	1		SEAL KIT,PRESSURE RELIEF VALVE,M3	ABDICHTUNGSSATZ,UBERDRUCKVENTIL,M3	PAKKINGSET,OVERDRUKVENTIEL,M3
9	704211	1		MOWING BLOCK HYDAC,M3	MAEBLOK HYDAC,M3	MAAIBLOK HYDAC,M3
10	110784	3		CHECK VALVE,MOWING BLOCK,M3	RUCKSCHLAGVENTIL,MAEBLOK,M3	TERUGSLAGKLEP,MAAIBLOK,M3
10.1	110785	1		SEAL KIT,CHECK VALVE,M3	ABDICHTUNGSSATZ,RUCKSLAGVENTIL,M3	PAKKINGSET,TERUGSLAGKLEP,M3

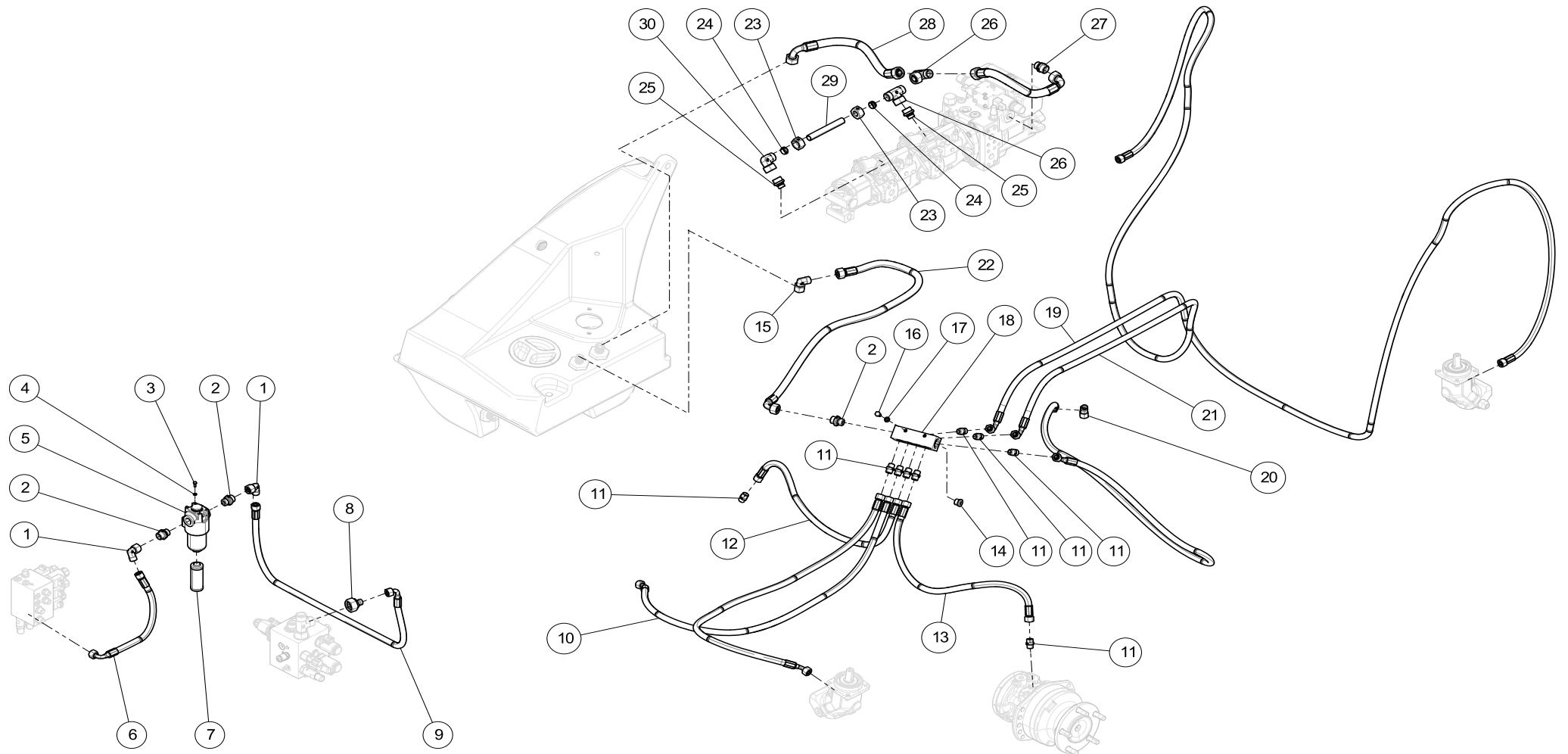
STEERING HYDRAULICS | LENKHYDRAULIK | STUURHYDRAULIEK
50705-109
F5/R5



STEERING HYDRAULICS | LENKHYDRAULIK | STUURHYDRAULIEK
50705-109
F5/R5

KEY	PART NO.	QTY	SERIAL NO.	DESCRIPTION	BESCHREIBUNG	OMSCHRIJVING
1	102313	1		STEERING UNIT OSPC 80 ON	LENKEINHEIT OSPC 80 ON	ORBITROL / STUUREENHEID OSPC 80 ON
1.1	110800	1		SEAL KIT	DICHTSATZ	AFDICHTSET ORBITROL OSPS80
2	101642	4		MALE STUD ADAPTER 12L - 1/2"	GERADE EINSCHRAUB ADAPTER 12L - 1/2"	RECHTE INSCHROEFKOPPELING 12L - 1/2"
3	704225	1		HOSE LINE P487TCCACF121206-0710	SCHLAUCHLEITUNG P487TCCACF121206-0710	HYDROSLANG P487TCCACF121206-0710
4	110761	1		FITTING,EV12LOMDCF	FITTING,EV12LOMDCF	NIPPEL,EV12LOMDCF
5	101640	1		MALE STUD ADAPTER 12L - M18X1,5	GERADE EINSCHRAUB ADAPTER 12L - M18X1,5	RECHTE INSCHROEFKOPPELING 12L - M18X1,5
6	704226	1		HOSE LINE P487TCCACF121206-2520	SCHLAUCHLEITUNG P487TCCACF121206-2520	HYDROSLANG P487TCCACF121206-2520
7	101614	2		SWIVEL NUT ELBOW 12L	EINTELBARE WINKEL-STUTZEN 12L	INSTELBARE HAAKSE KOPPELING 12L
8	101645	2		MALE STUD ADAPTER 12L - 3/8"	GERADE EINSCHRAUB ADAPTER 12L - 3/8"	RECHTE INSCHROEFKOPPELING 12L - 3/8"
9	110779	1		SEAL KIT	ABDICHTUNGSSATZ	PAKKINGSET
10	704224	1		STEERING CYLINDER,F5	LENKZYLINDER,F5	STUURCILINDER,F5
11	704227	1		HOSE LINE P487TCCACF121206-1920	SCHLAUCHLEITUNG P487TCCACF121206-1920	HYDROSLANG P487TCCACF121206-1920
12	110070	4		SCREW,HEX	SKT.SCHRAUBE	ZESK.TAPBOUT
13	110200	4		WASHER DIN125A,M10-ZN	UNTERLEGSCHIEBE DIN125A,M10-ZN	SLUITRING DIN125A,M10-ZN

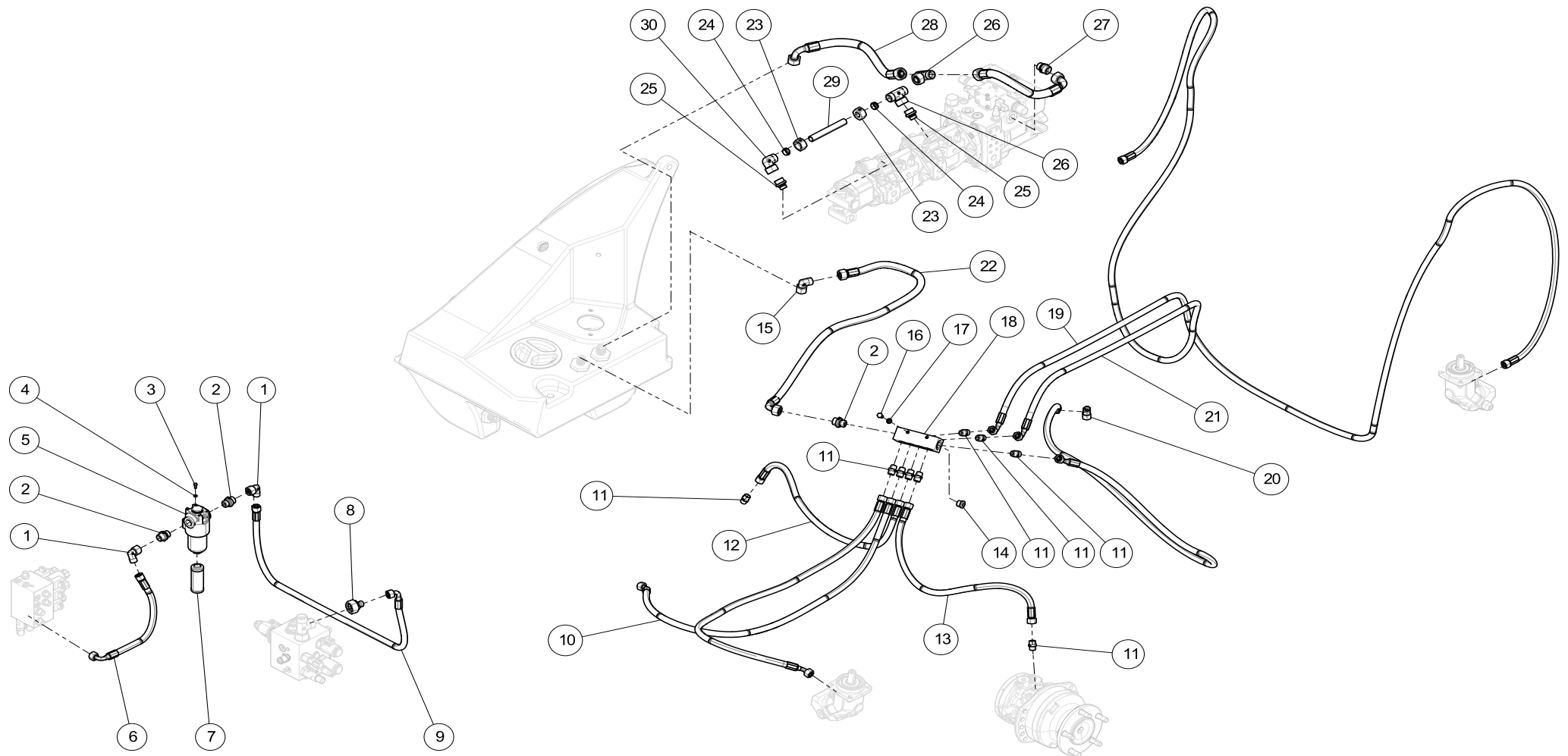
DRAIN LINES | ABLASSLEITUNGEN | LEKLEIDINGEN
50705-110
F5/R5



DRAIN LINES | ABLASSLEITUNGEN | LEKLEIDINGEN
50705-110
F5/R5

KEY	PART NO.	QTY	SERIAL NO.	DESCRIPTION	BESCHREIBUNG	OMSCHRIJVING
1	101614	2		SWIVEL NUT ELBOW 12L	EINSTELBARE WINKEL-STUTZEN 12L	INSTELBARE HAAKSE KOPPELING 12L
2	101642	2		MALE STUD ADAPTER 12L - 1/2"	GERADE EINSCHRAUB ADAPTER 12L - 1/2"	RECHTE INSCHROEFKOPPELING 12L - 1/2"
3	110801	4		SCREW,HEX,DIN933,M5X12-8.8-ZN	SKT.SCHRAUBE,DIN933,M5X12-8.8-ZN	ZESK.TAPBOUT,DIN933,M5X12-8.8-ZN
4	110802	4		WASHER,SPRING,DIN128,M5-ZN	FEDERRING,DIN128,M5-ZN	VEERRING,DIN128,M5-ZN
5	110807	1		HYDRAULIC FILTER	HYDRAULIEKÖLFILTER	HYDROFILTER
5.1	110809	1		SEAL KIT HYDROFILTER	DICHTSATZ HYDROFILTER	AFDICHTSET HYDROFILTER
6	704236	1		HOSE LINE P387TCCACF121206-0405	SCHLAUCHLEITUNG P387TCCACF121206-0405	HYDROSLANG P387TCCACF121206-0405
7	110808	1		HYDRAULIC FILTER ELEMENT	FILTEREINSATZ	HYDROFILTER ELEMENT
8	104884	1		FITTING	FITTING	NIPPEL
9	704240	1		HOSE LINE,P387TCCACF121206-980	SCHLAUCHLEITUNG,P387TCCACF121206-980	HYDROSLANG,P387TCCACF121206-980
10	704228	2		HOSE LINE P387TCCACE121206-1500	SCHLAUCHLEITUNG P387TCCACE121206-1500	HYDROSLANG P387TCCACE121206-1500
11	101645	10		MALE STUD ADAPTER 12L - 3/8"	GERADE EINSCHRAUB ADAPTER 12L - 3/8"	RECHTE INSCHROEFKOPPELING 12L - 3/8"
12	704231	1		HOSE LINE P387TCCACA121206-0950	SCHLAUCHLEITUNG P387TCCACA121206-0950	HYDROSLANG P387TCCACA121206-0950
13	704229	1		HOSE LINE P387TCCACA121206-0720	SCHLAUCHLEITUNG P387TCCACA121206-0720	HYDROSLANG P387TCCACA121206-0720
14	102700	1		BLANKING PLUG 1/2" BSP WITH INSIDE-HEXAG	VERSCHLUSS-STOPFEN 1/2" BSP MIT INNENSEC	AFBLINDSTOP 1/2" BSP MET BINNENZESKANT
15	101615	1		SWIVEL NUT ELBOW 15L	EINSTELBARE WINKEL-STUTZEN 15L	INSTELBARE HAAKSE KOPPELING 15L
16	9101.0801	2		BOLT	SCHRAUBE	BOUT
17	110197	2		WASHER,SPRING,DIN128,M8-ZN	FEDERRING,DIN128,M8-ZN	VEERRING,DIN128,M8-ZN
18	704235	1		DRAIN LINE VALVE BLOCK FR5	LECKLEITUNG VENTILBLOCK FR5	LEKLEIDING VENTIELBLOK FR5
19	704232	1		HOSE LINE P387TCCACF121206-3500	SCHLAUCHLEITUNG P387TCCACF121206-3500	HYDROSLANG P387TCCACF121206-3500
20	110761	1		FITTING,EV12LOMDCF	FITTING,EV12LOMDCF	NIPPEL,EV12LOMDCF
21	704233	1		HOSE LINE P387TCCACF121206-3220	SCHLAUCHLEITUNG P387TCCACF121206-3220	HYDROSLANG P387TCCACF121206-3220
22	704234	1		HOSE LINE P387TCCACF151508-915	SCHLAUCHLEITUNG P387TCCACF151508-915	HYDROSLANG P387TCCACF151508-915
23	110803	2		NUT,18L M26X1.5 M18LCFX	MUTTER,18L M26X1.5 M18LCFX	MOER,18L M26X1.5 M18LCFX
24	110804	2		RING,STOP,18MM PSR18LX	RING,STOP,18MM PSR18LX	RING,STOP,18MM PSR18LX

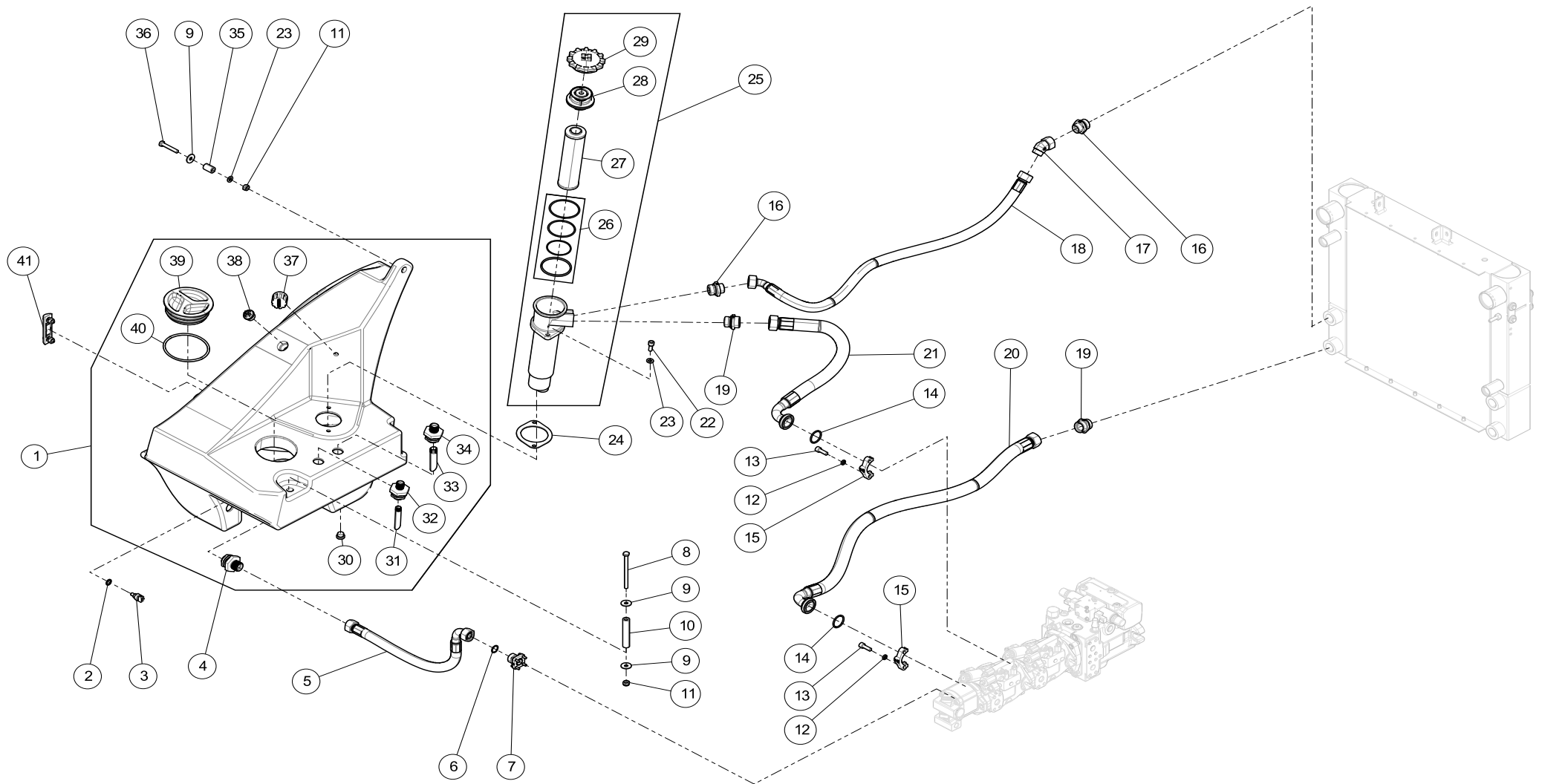
DRAIN LINES | ABLASSLEITUNGEN | LEKLEIDINGEN
50705-110
F5/R5



DRAIN LINES | ABLASSLEITUNGEN | LEKLEIDINGEN
50705-110
F5/R5

KEY	PART NO.	QTY	SERIAL NO.	DESCRIPTION	BESCHREIBUNG	OMSCHRIJVING
25	110805	2		FITTING,GE18L 3/4-16UNF OMDCF	FITTING,GE18L 3/4-16UNF OMDCF	NIPPEL,GE18L 3/4-16UNF OMDCF
26	110810	2		FITTING ET18LOMDCF	DITTING ET18LOMDCF	NIPPEL ET18LOMDCF
27	110806	1		FITTING,GE18LM OMDCF	FITTING,GE18LM OMDCF	NIPPEL,GE18LM OMDCF
28	704238	1		HOSE LINE,P387TCCACF181810-0385	SCHLAUCHLEITUNG,P387TCCACF181810-0385	HYDROSLANG,P387TCCACF181810-0385
29	704239	1		TUBING	ROHR	BUIS
30	110744	1		SWIVEL NUT ELBOW 18L	EINSTELBARE WINKEL-STUTZEN 18L	INTELBARE HAAKSE KOPPELING 18L

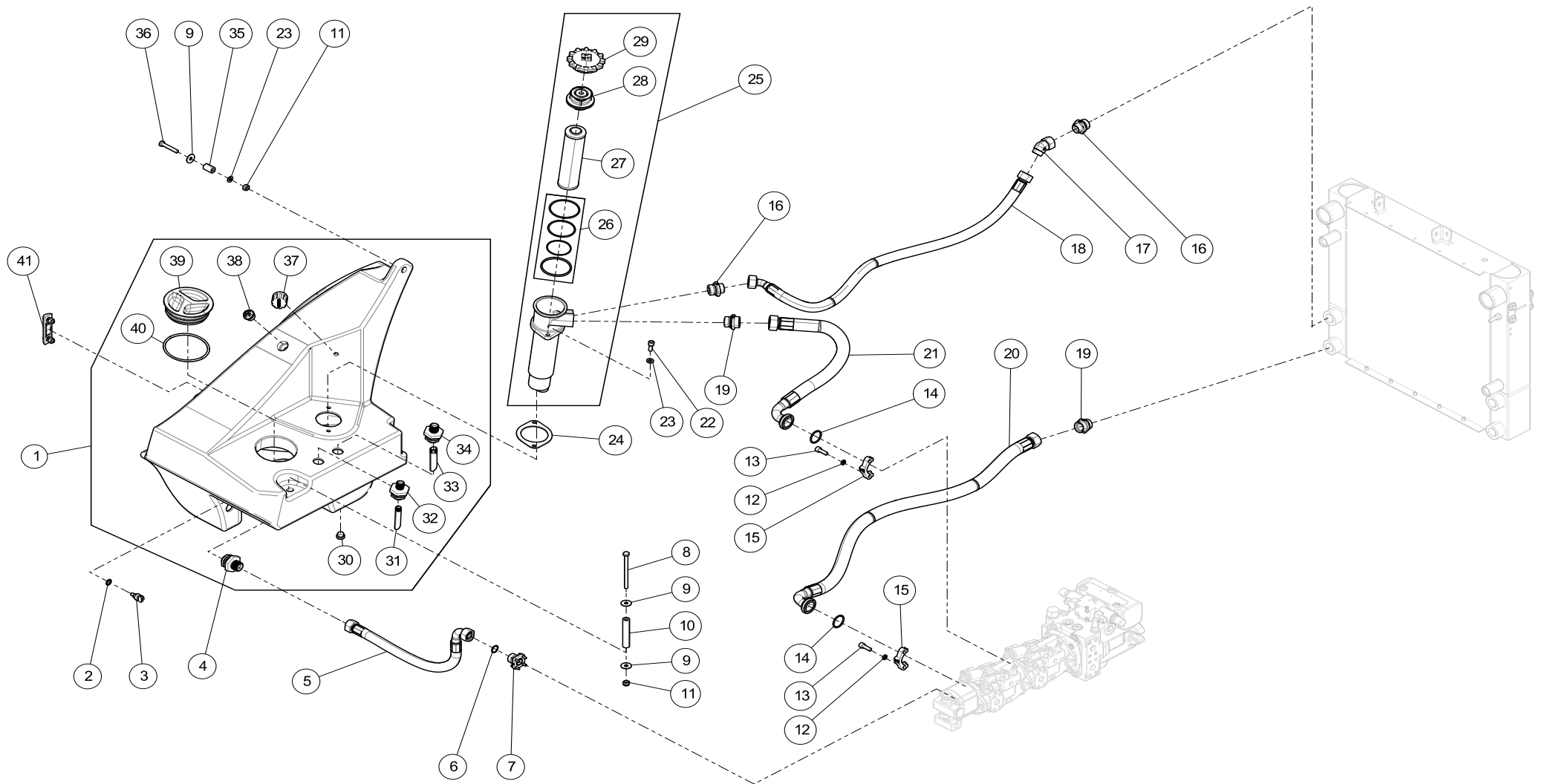
SUCTION HYDRAULICS | SAUGHYDRAULIK | AANZUIGHYDRAULIEK
50707-100
F5/R5



SUCTION HYDRAULICS | SAUGHYDRAULIK | AANZUIGHYDRAULIEK
50707-100
F5/R5

KEY	PART NO.	QTY	SERIAL NO.	DESCRIPTION	BESCHREIBUNG	OMSCHRIJVING
1	704241	1		HYDRAULIC TANK FR5,CPL.	OELBEHALTER FR5,KPL.	HYDROTANK FR5,KPL.
2	110812	1		SEAL	DICHTUNG	PAKKING
3	110820	1		SENSOR HYDRAULIC OIL TEMPERATURE	SENSOR HYDR. ÖL TEMPERATUR	SENSOR HYDRO OLIE TEMPERATUUR
4	111080	1		FITTING HYDRO TANK	FITTING HYDRO TANK	FITTING KPL. HYDROTANK
5	704246	1		HOSE LINE P811CACF222212-0635	SCHLAUCHLEITUNG P811CACF222212-0635	HYDROSLANG P811CACF222212-0635
6	110816	1		O-RING 26X2.5 NBR	O-RING 26X2.5 NBR	O-RING 26X2.5 NBR
7	704252	1		FITTING BFG22L/LK40OMDCF	DITTING BFG22L/LK40OMDCF	NIPPEL BFG22L/LK40OMDCF
8	110424	1		SCREW,HEX,DIN931,M10X130-8.8-ZN	SKT.SCHRAUBE,DIN931,M10X130-8.8-ZN	ZESK.BOUT,DIN931,M10X130-8.8-ZN
9	110314	3		WASHER,DIN9021-M10-ZN	UNTERLEGSCHIEBE,DIN9021-M10-ZN	SLUITRING,DIN9021-M10-ZN
10	704034	1		SPACER FUEL TANK,M3	DISTANZSTUECK KRAFTSTOFFBEHALTER,M3	AFSTANDSPIJP BRANDSTOFTANK,M3
11	101853	2		LOCK NUT M10	MUTTER SELBSTS.VERZ M10	DIN 985 ZELFBORGENDE MOER M10
12	110199	4		SPRING WASHER DIN7980 M10	FEDERRING M10 DIN7980	VEERRING DIN7980-M10-ELVZ
13	110778	4		SCREW,SOC,DIN912,M10X30-10.9-ZN	ZYL.SCHRAUBE,ISK,DIN912,M10X30-10.9-ZN	CIL.BOUT,BZK,DIN912,M10X30-10.9-ZN
14	108173	1		O-RING	O-RING	O-RING
15	110817	2		FLANGE ADAPTER,FHS35/10CF	FLANSCHVERBINDUNG,FHS35/10CF	FLENSADAPTER,FHS35/10CF
16	101657	2		MALE STUD ADAPTER 22L - 1"	GERADE EINSCHRAUB ADAPTER 22L - 1"	RECHTE INSCHROEFKOPPELING 22L - 1"
17	101610	1		SWIVEL NUT 45° ELBOW 22L	EINSTELBARE 45°-WINKELSTUTZEN 22L	INSTELBARE 45°-KOPPELING 22L
18	704249	1		HOSE LINE P811CACE222212-1175	SCHLAUCHLEITUNG P811CACE222212-1175	HYDROSLANG P811CACE222212-1175
19	101663	2		MALE STUD ADAPTER 28L - 1"	GERADE EINSCHRAUB ADAPTER 28L - 1"	RECHTE INSCHROEFKOPPELING 28L - 1"
20	704248	1		HOSE LINE P811CA19282016-1250	SCHLAUCHLEITUNG P811CA19282016-1250	HYDROSLANG P811CA19282016-1250
21	704247	1		HOSE LINE P811CA19282016-0650	SCHLAUCHLEITUNG P811CA19282016-0650	HYDROSLANG P811CA19282016-0650
22	110811	2		SCREW,SOC,DIN912,M10X25-8.8-ZN	ZYL.SCHRAUBE,ISK,DIN912,M10X25-8.8-ZN	CIL.BOUT,BZK,DIN912,M10X25-8.8-ZN
23	110200	3		WASHER DIN125A,M10-ZN	UNTERLEGSCHIEBE DIN125A,M10-ZN	SLUITRING DIN125A,M10-ZN
24	110821	1		SEAL	DICHTSATZ	PAKKING
25	110827	1		HYDRAULIC FILTER,CPL.1505-1515-1905	HYDRAULIKOELFILTER,1505-1515-1905	HYDROFILTER,1505-1515-1905

SUCTION HYDRAULICS | SAUGHYDRAULIK | AANZUIGHYDRAULIEK
50707-100
F5/R5



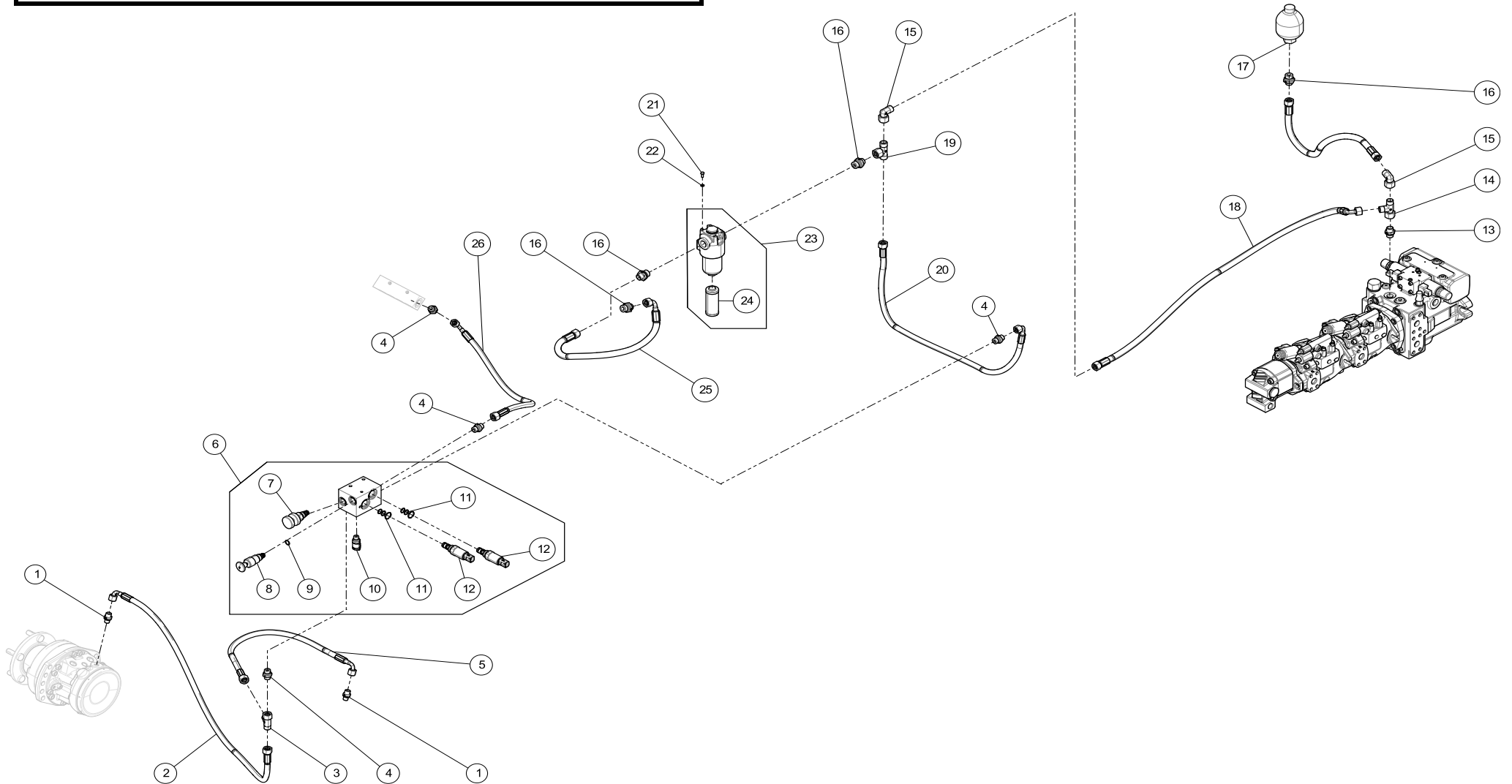
SUCTION HYDRAULICS | SAUGHYDRAULIK | AANZUIGHYDRAULIEK
50707-100
F5/R5

KEY	PART NO.	QTY	SERIAL NO.	DESCRIPTION	BESCHREIBUNG	OMSCHRIJVING
26	110831	1		SEAL KIT, HYDRAULIC FILTER, 1505-1515-1905	DICHTUNGSSATZ, HYDRAULIEKFILTER	AFDICHTSET, HYDROFILTER, 1505-1515-1905
27	110828	1		FILTER ELEMENT, HYDR. FILTER, 1505-1905	FILTEREINSATZ, HYDRAULIEKFILTER	FILTERELEMENT, HYDR. FILTER, 1505-1515-1905
28	110832	1		RETAINER RING, HYDRAULIC FILTER, 1505-1905	TRENNPLATTE-E, HYDRAULIKFILTER 1505-1905	BORGRING, HYDROFILTER, 1505-1905
29	110829	1		CAP, HYDRAULIC FILTER, 1505-1515-1905	DECKEL, HYDRAULIKFILTER, 1505-1515-1905	DOP, HYDROFILTER, 1505-1515-1905
30	704033	1		DRAIN PLUG WITH SEAL	ABLASSSTOPFEN MIT DICHTUNG	AFDICHTINGSRING
31	704250	1		TUBING DRAIN LINE TANK FR5	ROHR LECKLEITUNG BEHALTER FR5	PIJP LEKLEIDING TANK FR5
32	111076	1		FITTING, 15L, CPL. HYDRAULIC TANK M3	FITTING, 15L, KPL. OELBEHALTER M3	NIPPEL, 15L, KPL. HYDROTANK M3
33	704251	1		TUBING DRAIN LINE TANK FR5	ROHR LECKLEITUNG BEHALTER FR5	PIJP LEKLEIDING TANK FR5
34	111078	1		FITTING	FITTING	NIPPEL
34.1	110824	1		NUT	MUTTER	MOER
34.2	110825	1		WASHER	RING	SLUITRING
34.3	110826	1		O-RING	O-RING	O-RING
35	704035	1		SPACER ZN, HYDRAULIC TANK M3	DISTANZBUECHSE ZN, OELBEHALTER M3	AFSTANDBUS ZN, HYDRAULIEKTANK M3
36	110423	1		SCREW, HEX, DIN931, M10X60-8.8-ZN	SKT. SCHRAUBE, DIN931, M10X60-8.8-ZN	ZESK. BOUT, DIN931, M10X60-8.8-ZN
37	110819	1		BREATHER	ENTLÜFTUNG	ONTLUCHTING HYDROTANK
38	704244	1		DRAIN PLUG HYDRO	ABLASSSTOPFEN HYDRO	AFTAPPLUG HYDROTANK
39	704243	1		FILLER CAP	TANKVERSCHLUSS	TANKDOP HYDROTANK
40	110814	1		O-RING 123X8 NBR	O-RING 123X8 NBR	O-RING 123X8 NBR
41	110818	1		LEVEL GAUCHE	FUELLSTANDANZEIGE	OLIEPEIL INDIKATOR

50705-111

F5/R5

SERIAL NUMBER: -**W0022



TOW, BRAKE HYDRAULICS | SCHLEPPEN, BREMSEN HYDRAULIK | AFSLEPEN, REMMEN HYDRAULIEK

50705-111

F5/R5

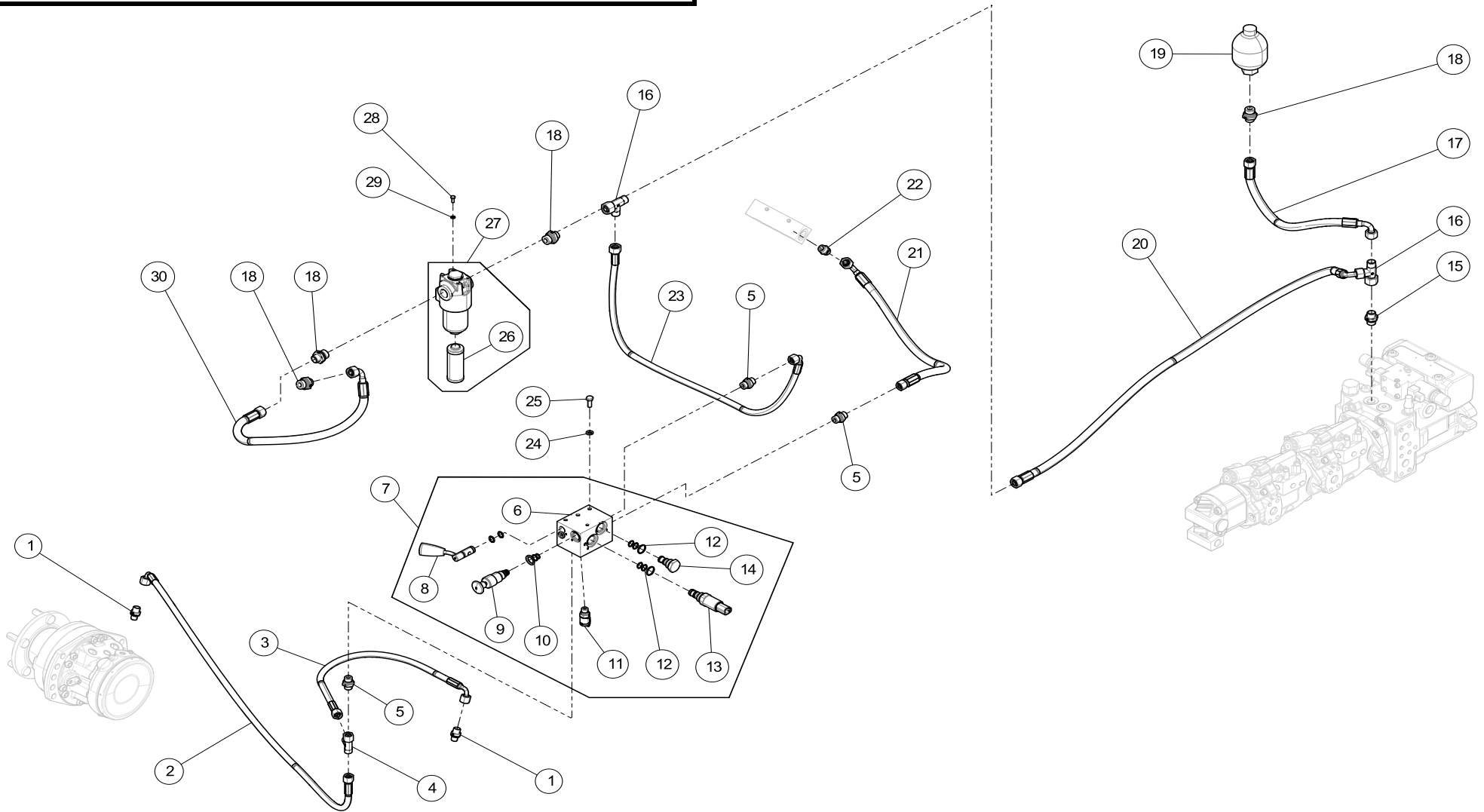
KEY	PART NO.	QTY	SERIAL NO.	DESCRIPTION	BESCHREIBUNG	OMSCHRIJVING
1	101639	2		MALE STUD ADAPTER 10L - 1/4"	GERADE EINSCHRAUB ADAPTER 10L - 1/4"	RECHTE INSCHROEFKOPPELING 10L - 1/4"
2	704258	1		HOSE LINE,P387TCCACF101004-1015	SCHLAUCHLEITUNG,P387TCCACF101004-1015	HYDROSLANG,P387TCCACF101004-1015
3	101592	1		SWIVEL NUT RUN TEE 10L	EINSTELLBARE L-STUTZEN 10L	INSTELBARE L-KOPPELING 10L
4	0081.1528	4		FITTING,GE10LR3/8EDOMDCF	VERSCHRAUBUNG,GE10LR3/8EDOMDCF	NIPPEL,GE10LR3/8EDOMDCF
5	704257	1		HOSE LINE,P387TCCACF101004-550	SCHLAUCHLEITUNG,P387TCCACF101004-550	HYDROSLANG,P387TCCACF101004-550
6	704309	1		VALVE,FAN,BRAKE,TOW	VENTIL,VENTILATOR,BREMSEN,SCHLEPPEN	VENTIELBLOK,VENTIATOR,REMMEN,AFSLEPEN
7	110837	1		SWITCH,PRESSURE	SCHALTER,DRUECK	SCHAKELAAR,DRUK
8	110842	1		PRESSURE RELIEF VALVE	DRUECKBEGRENZUNGSVENTIL	DRUKBEGRENZINGSVENTIEL
9	EVU002055	1		O-RING	O-RING	O-RING
10	101597	1		MEASUREMENT POINT 1/4" BSP (M16X2)	MESSPUNKT EINSCHRAUBVERBINDUNG 1/4" BSP	MEETPUNT INSCHROEFKOPPELING 1/4" BSP (M1
11	110836	1		SEAL KIT,PRESSURE RELIEF VALVE	ABDICHTUNGSSATZ,UBERDRUCKVENTIL	PAKKINGSET,OVERDRUKVENTIEL
12	110845	2		PRESSURE RELIEF VALVE	DRUECKBEGRENZUNGSVENTIL	DRUKBEGRENZINGSVENTIEL
13	101640	1		MALE STUD ADAPTER 12L - M18X1,5	GERADE EINSCHRAUB ADAPTER 12L - M18X1,5	RECHTE INSCHROEFKOPPELING 12L - M18X1,5
14	101593	1		SWIVEL NUT RUN TEE 12L	EINSTELLBARE L-STUTZEN 12L	INSTELBARE L-KOPPELING 12L
15	101614	2		SWIVEL NUT ELBOW 12L	EINTELBARE WINKEL-STUTZEN 12L	INSTELBARE HAAKSE KOPPELING 12L
16	101642	4		MALE STUD ADAPTER 12L - 1/2"	GERADE EINSCHRAUB ADAPTER 12L - 1/2"	RECHTE INSCHROEFKOPPELING 12L - 1/2"
17	110833	1		ACCUMULATOR 0.16LTR 20BAR	AKKUMULATOR 0.16LTR 20BAR	ACCUMULATOR 0.16LTR 20BAR
18	704254	1		HOSE LINE P387TCCACF121206-1080	SCHLAUCHLEITUNG P387TCCACF121206-1080	HYDROSLANG P387TCCACF121206-1080
19	101601	1		SWIVEL NUT BRANCH TEE 10L	EINTELBARE T-STUTZEN 12L	INSTELBARE T-KOPPELING 12L
20	704256	1		HOSE LINE,P387TCCACF121004-780	SCHLAUCHLEITUNG,P387TCCACF121004-780	HYDROSLANG,P387TCCACF121004-780
21	110801	4		SCREW,HEX,DIN933,M5X12-8.8-ZN	SKT.SCHRAUBE,DIN933,M5X12-8.8-ZN	ZESK.TAPABOUT,DIN933,M5X12-8.8-ZN
22	110802	4		WASHER,SPRING,DIN128,M5-ZN	FEDERRING,DIN128,M5-ZN	VEERRING,DIN128,M5-ZN
23	110807	1		HYDRAULIC FILTER	HYDRAULIEKÖLFILTER	HYDROFILTER
23.1	110809	1		SEAL KIT HYDROFILTER	DICHTSATZ HYDROFILTER	AFDICHTSET HYDROFILTER
24	110808	1		HYDRAULIC FILTER ELEMENT	FILTEREINSATZ	HYDROFILTER ELEMENT
25	704253	1		HOSE LINE P387TCCACF121206-0535	SCHLAUCHLEITUNG P387TCCACF121206-0535	HYDROSLANG P387TCCACF121206-0535
26	704259	1		HOSE LINE,P387TCCACF101206-640	SCHLAUCHLEITUNG,P387TCCACF101206-640	HYDROSLANG,P387TCCACF101206-640

TOW, BRAKE HYDRAULICS | SCHLEPPEN, BREMSEN HYDRAULIK | AFSLEPEN, REMMEN HYDRAULIEK

50705-111

F5/R5

SERIAL NUMBER: **X00001 -



TOW, BRAKE HYDRAULICS | SCHLEPPEN, BREMSEN HYDRAULIK | AFSLEPEN, REMMEN HYDRAULIEK

50705-111

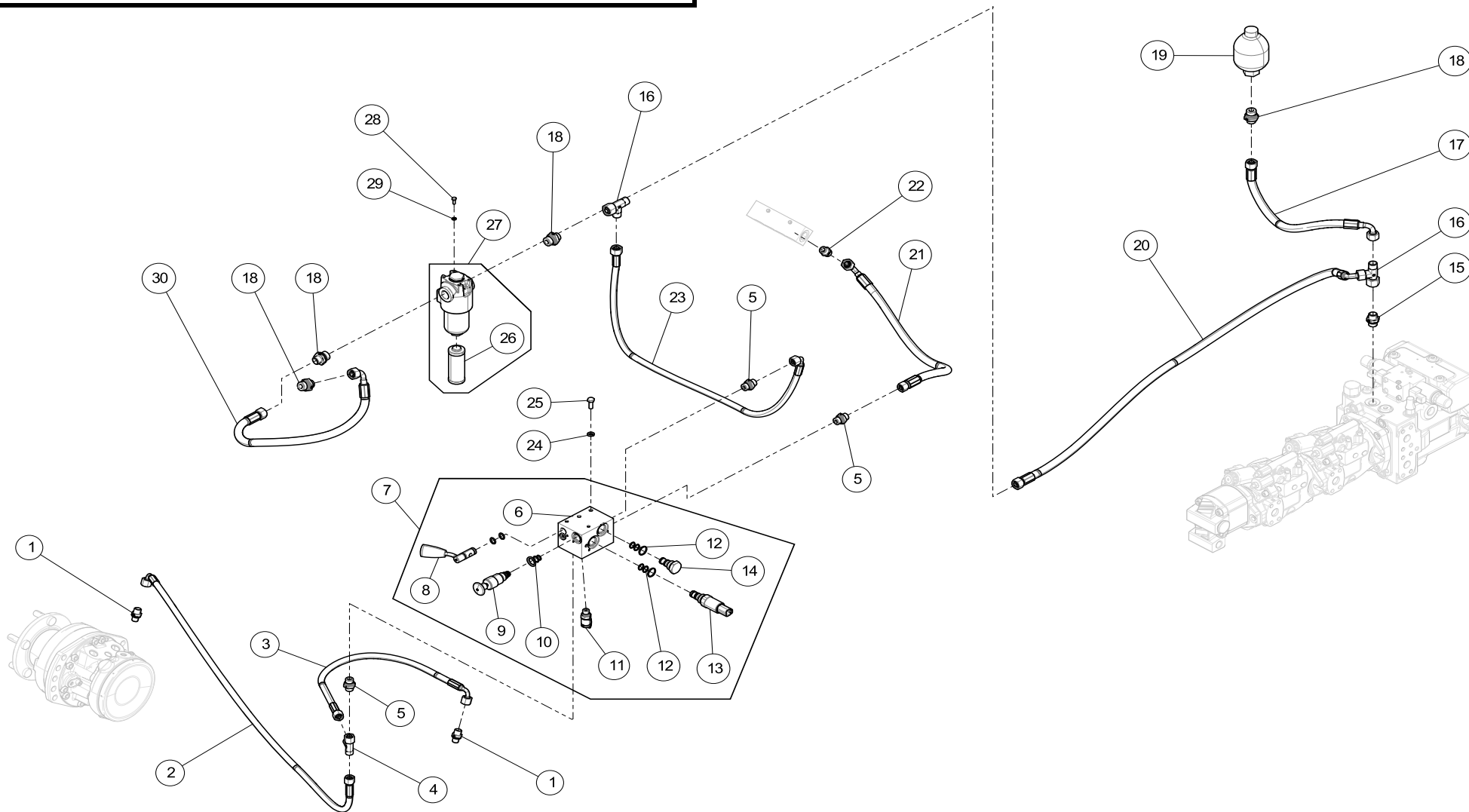
F5/R5

KEY	PART NO.	QTY	SERIAL NO.	DESCRIPTION	BESCHREIBUNG	OMSCHRIJVING
1	101639	2		MALE STUD ADAPTER 10L - 1/4"	GERADE EINSCHRAUB ADAPTER 10L - 1/4"	RECHTE INSCHROEFKOPPELING 10L - 1/4"
2	704258	1		HOSE LINE,P387TCCACF101004-1015	SCHLAUCHLEITUNG,P387TCCACF101004-1015	HYDROSLANG,P387TCCACF101004-1015
3	704257	1		HOSE LINE,P387TCCACF101004-550	SCHLAUCHLEITUNG,P387TCCACF101004-550	HYDROSLANG,P387TCCACF101004-550
4	101592	1		SWIVEL NUT RUN TEE 10L	EINSTELLBARE L-STUTZEN 10L	INSELBARE L-KOPPELING 10L
5	0081.1528	3		FITTING,GE10LR3/8EDOMDCF	VERSCHRAUBUNG,GE10LR3/8EDOMDCF	NIPPEL,GE10LR3/8EDOMDCF
6	110834	1		VALVE,BRAKE,TOW	VENTIL,BREMSEN,SCHLEPPEN	VENTIELBLOK,REMMEN,AFSLEPEN
7	110843	1		SEAL KIT	DICHTUNGSSATZ	AFDICHTSET
8	110842	1		PRESSURE RELIEF VALVE	DRUECKBEGRENZUNGSVENTIL	DRUKBEGRENZINGSVENTIEL
9	110837	1		SWITCH,PRESSURE	SCHALTER,DRUECK	SCHAKELAAR,DRUK
10	110838	1		SEAL KIT,PRESSURE SWITCH	ABDICHTUNGSSATZ,DRUECKSCHALTER	PAKKINGSET,DRUKSCHAKELAAR
11	101597	1		MEASUREMENT POINT 1/4" BSP (M16X2)	MESSPUNKT EINSCHRAUBVERBINDUNG 1/4" BSP	MEETPUNT INSCHROEFKOPPELING 1/4" BSP (M1
12	110836	1		SEAL KIT,PRESSURE RELIEF VALVE	ABDICHTUNGSSATZ,UBERDRUCKVENTIL	PAKKINGSET,OVERDRUKVENTIEL
13	110845	1		PRESSURE RELIEF VALVE	DRUECKBEGRENZUNGSVENTIL	DRUKBEGRENZINGSVENTIEL
14	110835	1		BLIND STOP	BLINDSTOPFEN	BLINDSTOP
15	101640	1		MALE STUD ADAPTER 12L - M18X1,5	GERADE EINSCHRAUB ADAPTER 12L - M18X1,5	RECHTE INSCHROEFKOPPELING 12L - M18X1,5
16	101593	2		SWIVEL NUT RUN TEE 12L	EINSTELLBARE L-STUTZEN 12L	INSELBARE L-KOPPELING 12L
17	704255	1		HOSE LINE,P387TCCACF121206-410	SCHLAUCHLEITUNG,P387TCCACF121206-410	HYDROSLANG,P387TCCACF121206-410
18	101642	4		MALE STUD ADAPTER 12L - 1/2"	GERADE EINSCHRAUB ADAPTER 12L - 1/2"	RECHTE INSCHROEFKOPPELING 12L - 1/2"
19	110833	1		ACCUMULATOR 0.16LTR 20BAR	AKKUMULATOR 0.16LTR 20BAR	ACCUMULATOR 0.16LTR 20BAR
20	704254	1		HOSE LINE P387TCCACF121206-1080	SCHLAUCHLEITUNG P387TCCACF121206-1080	HYDROSLANG P387TCCACF121206-1080
21	704259	1		HOSE LINE,P387TCCACF101206-640	SCHLAUCHLEITUNG,P387TCCACF101206-640	HYDROSLANG,P387TCCACF101206-640
22	101645	1		MALE STUD ADAPTER 12L - 3/8"	GERADE EINSCHRAUB ADAPTER 12L - 3/8"	RECHTE INSCHROEFKOPPELING 12L - 3/8"
23	704256	1		HOSE LINE,P387TCCACF121004-780	SCHLAUCHLEITUNG,P387TCCACF121004-780	HYDROSLANG,P387TCCACF121004-780
24	110197	2		WASHER,SPRING,DIN128,M8-ZN	FEDERRING,DIN128,M8-ZN	VEERRING,DIN128,M8-ZN
25	110192	2		SCREW,HEX,DIN933,M8X20-8.8-ZN	SKT.SCHRAUBE,DIN933,M8X20-8.8-ZN	ZESK.TAPBOUT,DIN933,M8X20-8.8-ZN

50705-111

F5/R5

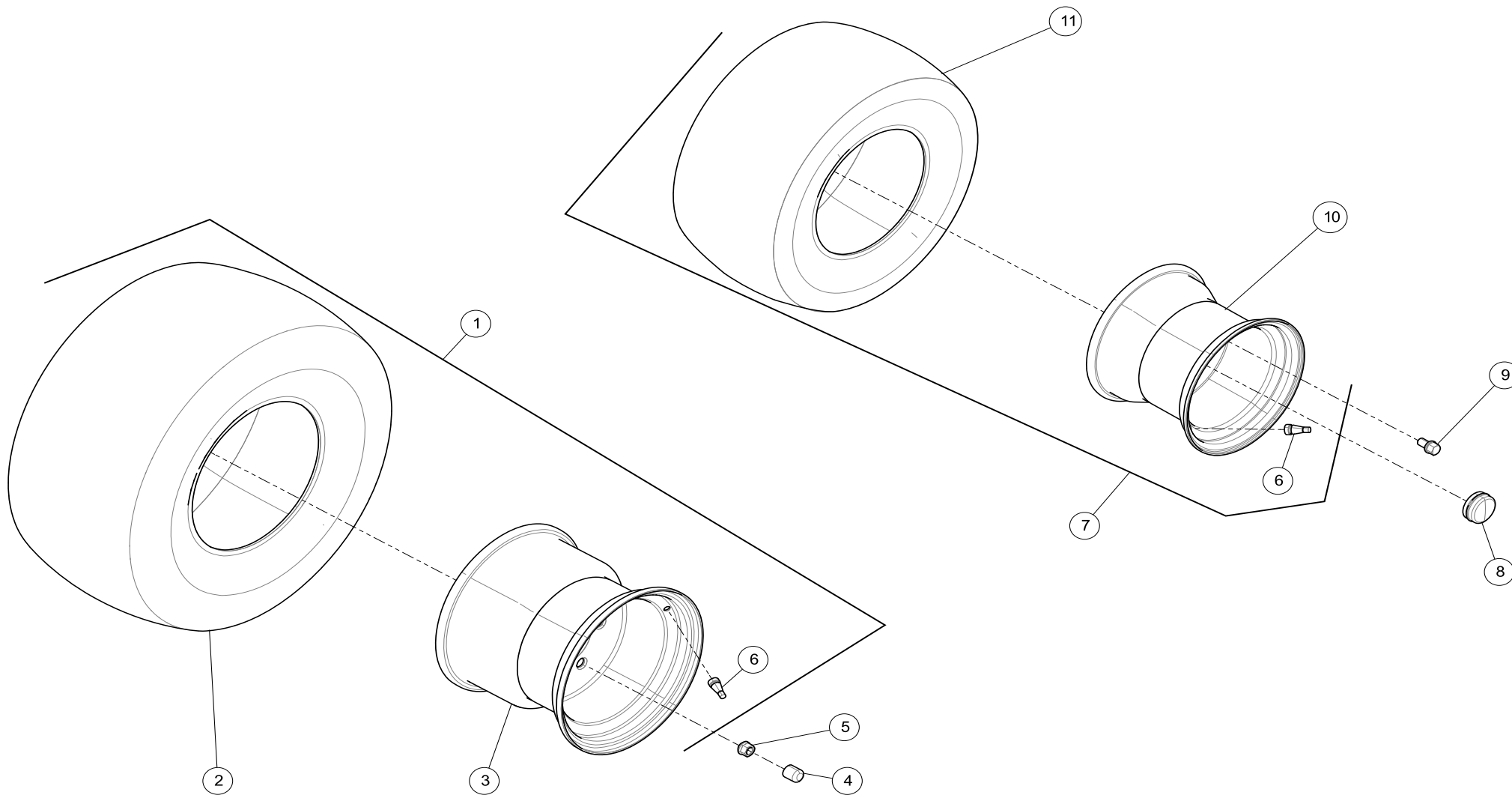
SERIAL NUMBER: **X00001 -



TOW, BRAKE HYDRAULICS | SCHLEPPEN, BREMSEN HYDRAULIK | AFSLEPEN, REMMEN HYDRAULIEK
50705-111
F5/R5

KEY	PART NO.	QTY	SERIAL NO.	DESCRIPTION	BESCHREIBUNG	OMSCHRIJVING
26	110808	1		HYDRAULIC FILTER ELEMENT	FILTEREINSATZ	HYDROFILTER ELEMENT
27	110807	1		HYDRAULIC FILTER	HYDRAULIEKÖLFILTER	HYDROFILTER
27.1	110809	1		SEAL KIT HYDROFILTER	DICHTSATZ HYDROFILTER	AFDICHTSET HYDROFILTER
28	110801	4		SCREW,HEX,DIN933,M5X12-8.8-ZN	SKT.SCHRAUBE,DIN933,M5X12-8.8-ZN	ZESK.TAPBOUT,DIN933,M5X12-8.8-ZN
29	110802	4		WASHER,SPRING,DIN128,M5-ZN	FEDERRING,DIN128,M5-ZN	VEERRING,DIN128,M5-ZN
30	704253	1		HOSE LINE P387TCCACF121206-0535	SCHLAUCHLEITUNG P387TCCACF121206-0535	HYDROSLANG P387TCCACF121206-0535

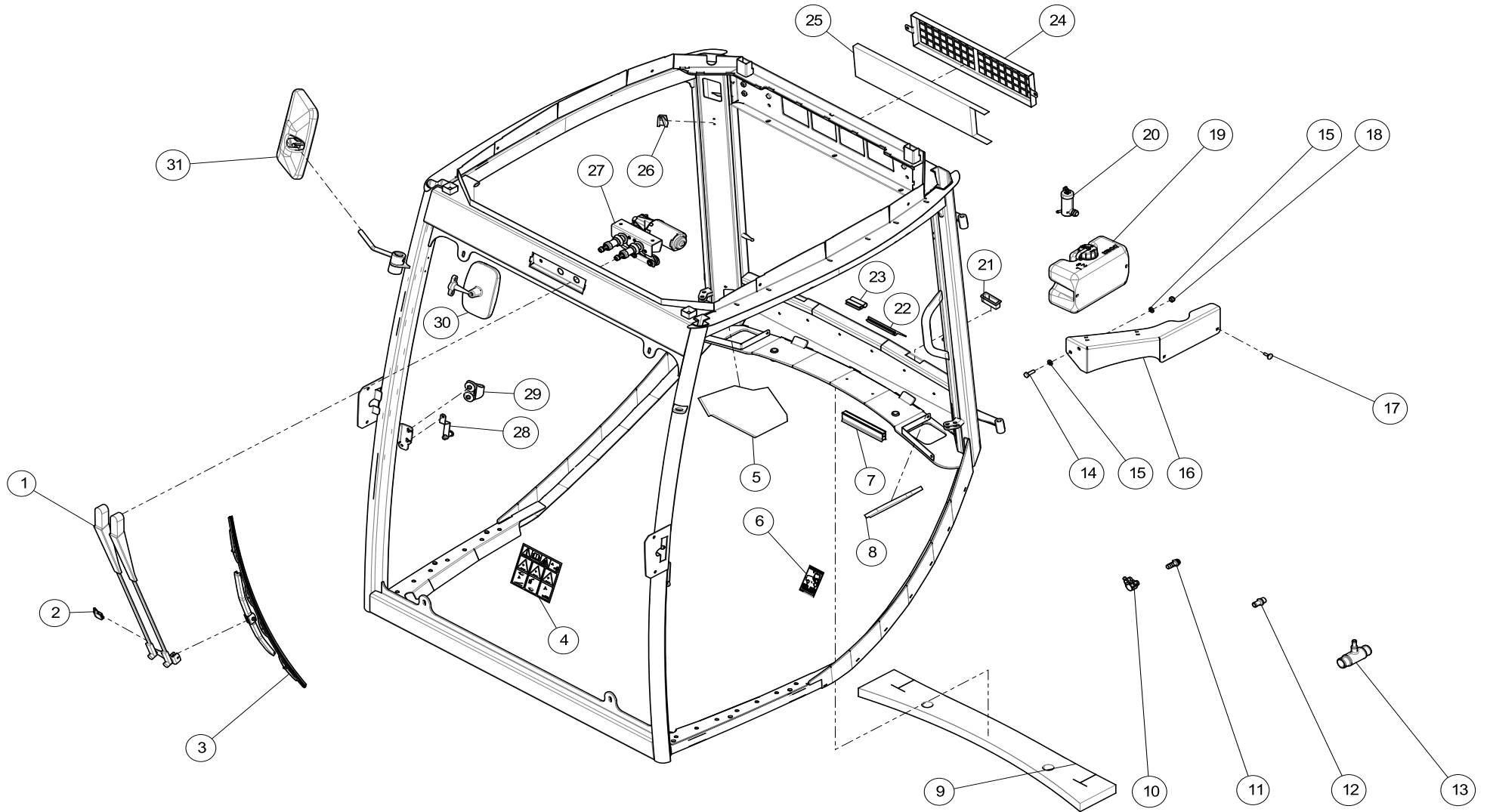
WHEEL AND TIRE | REIFEN UND FELGE | WIEL EN BAND
50708-118
F5/R5



WHEEL AND TIRE | REIFEN UND FELGE | WIEL EN BAND
50708-118
F5/R5

KEY	PART NO.	QTY	SERIAL NO.	DESCRIPTION	BESCHREIBUNG	OMSCHRIJVING
1	110861	2		WHEEL,CPL,FRONT,26X12.00-12 8PR,ET0	RAD,KPL,VORNE,26X12.00-12 8PR,ET0	WIEL,KPL,VOOR,26X12.00-12 8PR,ET0
2	110863	2		TIRE,26X12.00-12	REIFEN,26X12.00-12	BUITENBAND,26X12.00-12
3	110862	2		RIM,FRONT,ET0 M3	FELGE,VORNE,ET0 M3	VELG,VOOR,ET0 M3
4	110854	10		PROTECTION CAP SW19-1-G27	SCHUTZKAPPE SW19-1-G27	BESCHERMDOP SW19-1-G27
5	111976	10		WHEEL NUT, M14X1.5, DIN74361	KUGELBUNDMUTTER, M14X1.5, DIN74361	KOGELMOER, M14X1.5, DIN74361, VERZINKT
6	110858	4		TIRE VALVE TR-413	GUMMIVENTIL TR-413	VENTIEL TR-413
7	110855	2		WHEEL,CPL,REAR,20X10.00-10 6PR	RAD,KPL,HINTEN,20X10.00-10 6PR	WIEL,KPL,ACHTER,20X10.00-10 6PR
8	110859	2		CAP	VERSCHLUSSDECKEL	SLAGDOP
9	110860	10		WHEEL BOLT M14X1.5X39.5	RADBOLZEN M14X1.5X39.5	WIELBOUT M14X1.5X39.5
10	110857	2		RIM,REAR	FELGE,HINTEN	VELG,ACHTER
11	110856	2		TIRE,20"	REIFEN,20"	BUITENBAND,20"

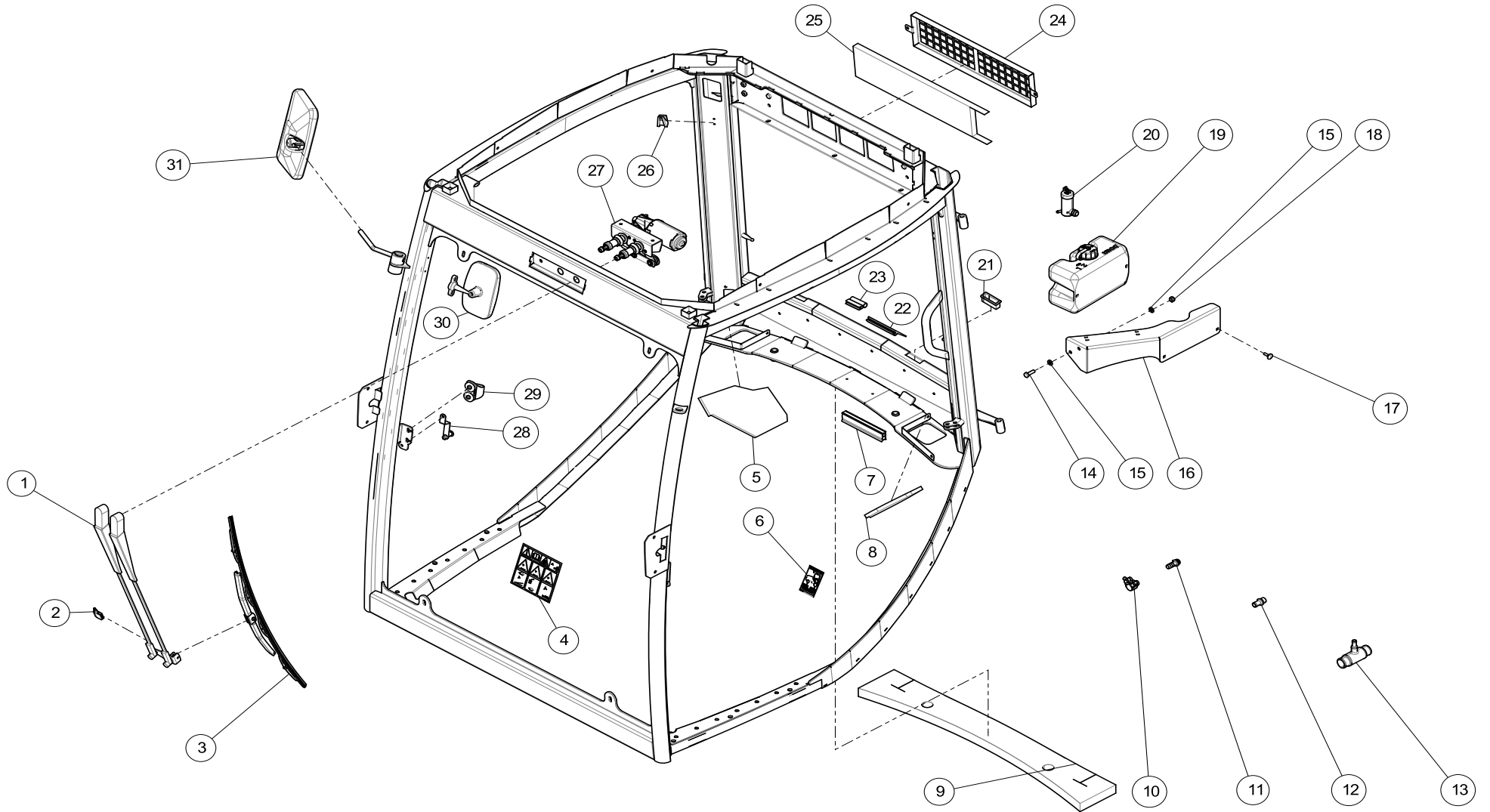
CABIN | KABINE | KABINE
50710-109 + 50710-118
F5/R5



CABIN | KABINE | KABINE
50710-109 + 50710-118
F5/R5

KEY	PART NO.	QTY	SERIAL NO.	DESCRIPTION	BESCHREIBUNG	OMSCHRIJVING
1	110939	1		PARALLEL WIPER ARM,K-490	PARALLELWISCHERARM,K-490	PARALLELWISSERARM,K-490
2	110973	1		WINDSCREEN WASHER NOZZLE,K-490	SCHEIBENWASCHDUSE,K-490	RUITENSPROEIER,K-490
3	110975	1		WIPER BLADE,K-490	WISCHERBLATT,K-490	RUITENWISSERBLAD,K-490
4	704290	1		DECAL,ALERTS FR5 CABIN	AUFKLEBER,WARNUNGEN FR5 KABINE	STICKER,WAARSCHUWINGEN FR5 KABINE
5	110969	1		ACOUSTIC INSULATION,K-490	GERAUSCHDAMMUNG,K-490	GELUIDSISOLATIE,K-490
6	704289	1		DECAL,TYRE PESSURE FR5 CAB	AUFKLEBER,REIFENDRUECK FR5 CAB	STICKER,BANDENSPANNING FR5 CAB
7	110982	1		SEAL,K-490/2	DICHTBAND,K-490/2	KANTPROFIEL,K-490/2
8	110971	1		ACOUSTIC INSULATION,K-490	GERAUSCHDAMMUNG,K-490	GELUIDSISOLATIE,K-490
9	110967	1		ACOUSTIC INSULATION,K-490	GERAUSCHDAMMUNG,K-490	GELUIDSISOLATIE,K-490
10	111000	1		HOSE CLIP RHC2022	SCHLAUCHSCHELLE RHC2022	SLANGKLEM RHC2022
11	105605	1		FITTING	VERSCHRAUBUNG	NIPPEL
12	110964	1		HOSE CONNECTION,K-490	ANSCHLUSSSTUETZEN,K-490	AANSLUITNIPPEL,K-490
13	111776	1		T PIECE,K-490	T STUECK,K-490	T STUK,K-490
14	110227	2		SCREW,HEX,DIN933,M8X25-8.8-ZN	SKT.SCHRAUBE,DIN933,M8X25-8.8-ZN	ZESK.TAPBOUT,DIN933,M8X25-8.8-ZN
15	110214	6		WASHER DIN125A,M8-ZN	UNTERLEGSCHIEBE DIN125A,M8-ZN	SLUITRING DIN125A,M8-ZN
16	50710-211	1		SUPPORT,WIPER FLUID RESERVOIR	HALTER,WISCHERFLUSSIGKIETBEHALTER	HOUDER,WISSERVLOEISTOFRESERVOIR
17	110358	2		BOLT,RH,SQNECK,DIN603,M6X20-8.8-ZN	FLACHRUNDSCHRAUBE,DIN603,M6X20-8.8-ZN	SLOTBOUT,DIN603,M6X20-8.8-ZN
18	101852	2		LOCK NUT M8	MUTTER SELBSTS.VERZ M8	DIN 985 ZELFBORGENDE MOER M8
19	110983	1		WINDSCREEN WIPER FLUID RESERVOIR	SCHEIBENWISCHERFL?SSIGKEITBEH?LTER	RUITENWISSERVLOEISTOFRESERVOIR
20	110984	1		WIPER MOTOR	WISCHERMOTOR	RUITENWISSERMOTOR
21	110979	2		INSERT FOR LOCK,K-490	EINRASTTEIL FUR VERSCHLUSS,K-490	INZETSTUK VOOR VERGRENDELING,K-490
22	EVU002061	1		SEAL WHIT LIP	DICHTUNG MIT RAND	AFDICHTING MET RAND
23	EVU002060	1		RUBBER STRIP	UNTERLAGSGUMMI	RUBBER STRIP
24	110940	1		FRAME DUST FILTER,K-490	HALTERRAHMEN STAUBFILTER,K-490	HOUDER STOFFILTER,K-490
25	110852	1		DUST FILTER,K-490	STAUBFILTER,K-490	STOFFILTER,K-490

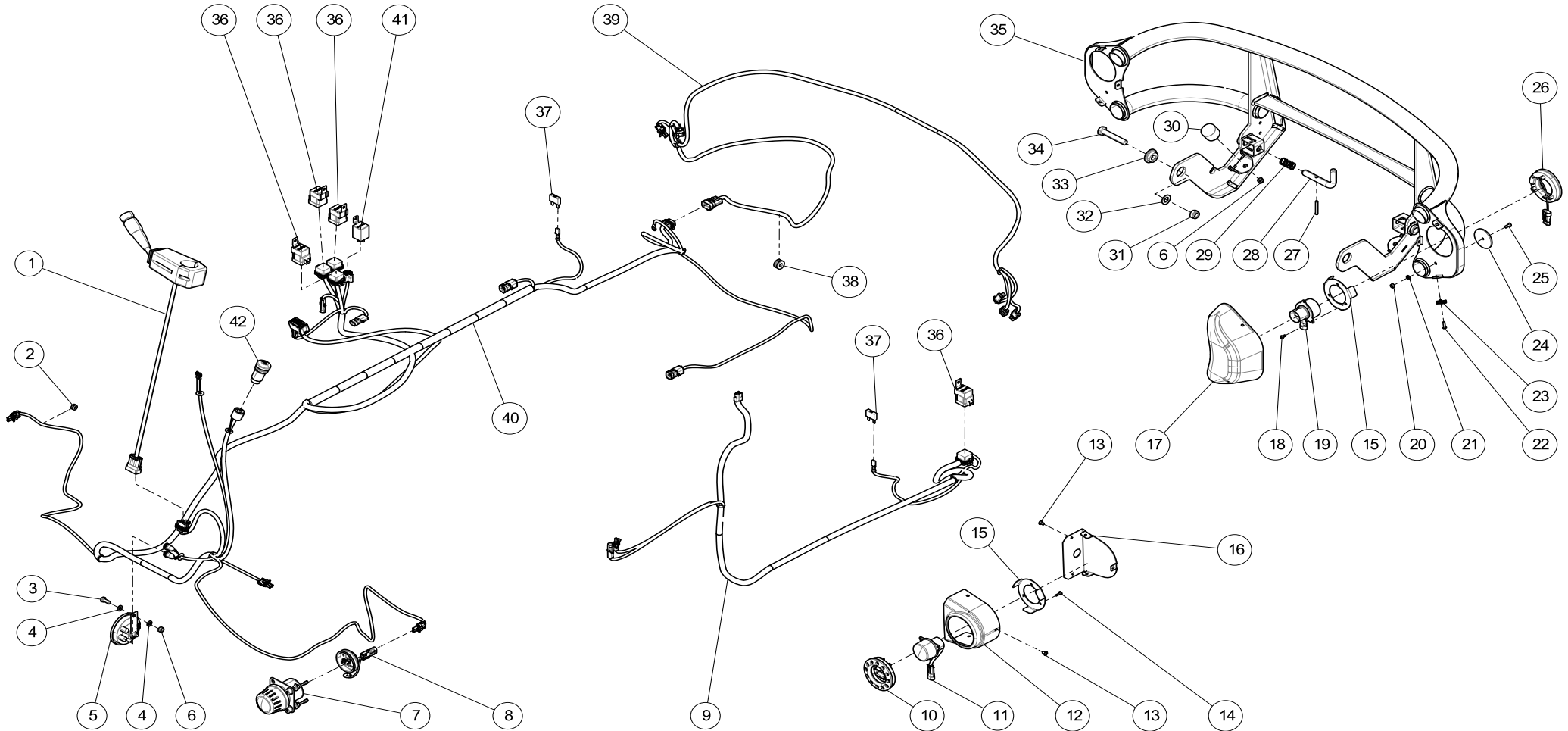
CABIN | KABINE | KABINE
50710-109 + 50710-118
F5/R5



CABIN | KABINE | KABINE
50710-109 + 50710-118
F5/R5

KEY	PART NO.	QTY	SERIAL NO.	DESCRIPTION	BESCHREIBUNG	OMSCHRIJVING
26	110977	1		COAT HOOK,K-490	KLEIDERHAKEN,K-490	KLEDINGHAAK,K-490
27	110943	1		WIPER MOTOR,K-490	WISCHERMOTOR,K-490	RUITENWISSERMOTOR,K-490
28	110942	2		AIR GAP HOLDER,K-490	LUFTSPALTHALTER,K-490	KIERSTANDHOUDER,K-490
29	110941	2		LOCKING BOLT,K-490	SCHLIESSBOLZEN,K-490	SLUITBOUT,K-490
30	110921	1		INTERIOR REAR-VIEW MIRROR,K-490	INNENSPIEGEL,K-490	BINNENSPIEGEL,K-490
31	110944	1		MIRROR,K-490	SPIEGEL,K-490	SPIEGEL,K-490

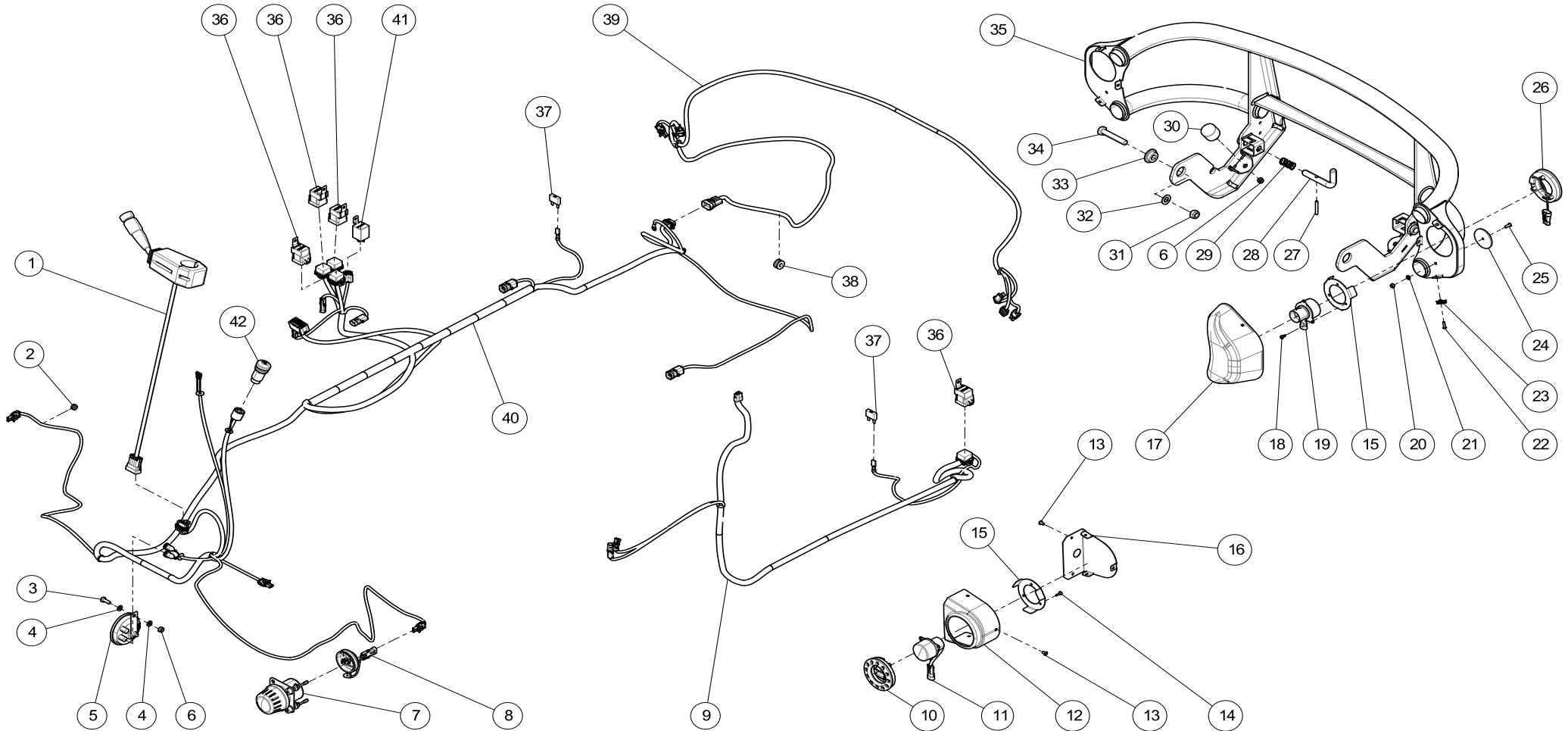
CABIN | KABINE | KABINE
50710-109 + 50710-118
F5/R5



CABIN | KABINE | KABINE
50710-109 + 50710-118
F5/R5

KEY	PART NO.	QTY	SERIAL NO.	DESCRIPTION	BESCHREIBUNG	OMSCHRIJVING
1	704296	1		SWITCH STEERING COLUMN CPL.	LENKSTOCKSCHALTER KPL.	STUURGREEPSCHAKELAAR KPL.
2	111175	2		GROMMET	TULLE	TULE
3	110192	1		SCREW,HEX,DIN933,M8X20-8.8-ZN	SKT.SCHRAUBE,DIN933,M8X20-8.8-ZN	ZESK.TAPBOUT,DIN933,M8X20-8.8-ZN
4	110214	2		WASHER DIN125A,M8-ZN	UNTERLEGSCHIEBE DIN125A,M8-ZN	SLUITRING DIN125A,M8-ZN
5	111002	1		HORN	HUPE	CLAXON
6	101852	1		LOCK NUT M8	MUTTER SELBSTS.VERZ M8	DIN 985 ZELFBORGENDE MOER M8
7	110894	1		HEADLIGHT,M3	SCHEINWERFER,M3	KOPLAMP,M3
8	704297	1		WIRING HARNES HEADLIGHT	KABELBAUM FRONTSCHWENKWERFER	KABELBUNDEL KOPLAMP
9	704293	1		WIRING HARNESS,CABINE,FR5	KABELBAUM,KABINE,FR5	KABELBUNDEL,KABINE,FR5
10	110900	1		PARKLIGHT,LED	PARKLEUCHTE,LED	PARKEERLICHT,LED
11	110899	1		TURN SIGNAL LAMP FRONT,LED	BLINKLEUCHTE VORDERSEITE,LED	KNIPPERLICHT VOORKANT,LED
12	704323	1		COVER LIGHT CABINE,M3	ABDECKUNG LEUCHTE KABINE,M3	AFDEKKING VERLICHTING KABINE,M3
13	110518	10		SCREW,SOC,ISO7380,M5X16-8.8-ZN	SCHRAUBE,ISK,ISO7380,M5X16-8.8-ZN	BOUW,BZK,ISO7380,M5X16-8.8-ZN
14	110887	4		SELF-TAPPING SCREW, TX,DIN7981C-4.2X13-WZ	SCHNEIDSCHRAUBE, TX,DIN7981C-4.2X13-WZN	ZELFTAPPER,SCHROEF, TX,DIN7981C-4.2X13-WZ
15	0062.6417	2		CLAMPING PLATE LIGHTING,M3	SPANNPLATTE LEUCHTE,M3	SPANPLAAT VERLICHTING,M3
16	110938	1		MOUNTING PLATE LIGHT FRONT,K-490	MONTAGEPLATTE LEUCHTE VORNE,K-490	MONTAGEPLAAT LICHT VOORZIJDE,K-490
17	704283	2		COVER LIGHT,FR5	ABDECKUNG LEUCHTE,FR5	AFDEKKING VERLICHTING,FR5
18	110887	6		SELF-TAPPING SCREW, TX,DIN7981C-4.2X13-WZ	SCHNEIDSCHRAUBE, TX,DIN7981C-4.2X13-WZN	ZELFTAPPER,SCHROEF, TX,DIN7981C-4.2X13-WZ
19	2099.0004	1		TURN SIGNAL LAMP REAR,LED	BLINKLEUCHTE RUCKSEITE,LED	KNIPPERLICHT ACHTERKANT,LED
20	101851	2		LOCK NUT M6	MUTTER SELBSTS.VERZ M6	DIN 985 ZELFBORGENDE MOER M6
21	110073	2		WASHER	UNTERLEGSCHIEBE	SLUITRING
22	110518	6		SCREW,SOC,ISO7380,M5X16-8.8-ZN	SCHRAUBE,ISK,ISO7380,M5X16-8.8-ZN	BOUW,BZK,ISO7380,M5X16-8.8-ZN
23	110987	6		SPEED NUT M5	FLACHMUTTER M5	PLAATMOER M5
24	100824	2		ADHESIVE REFLECTOR Ø61 RED	RÜCKSTRAHLER RUND Ø61 ROT	PLAK REFLECTOR Ø61 ROOD
25	110886	2		SCREW,CS,DIN966-M6X16-4.8-ZN	SENKSCHR.,KREUZ,DIN966-M6X16-4.8-ZN	SCHROEF,VZ,KRUIS,DIN966-M6X16-4.8-ZN

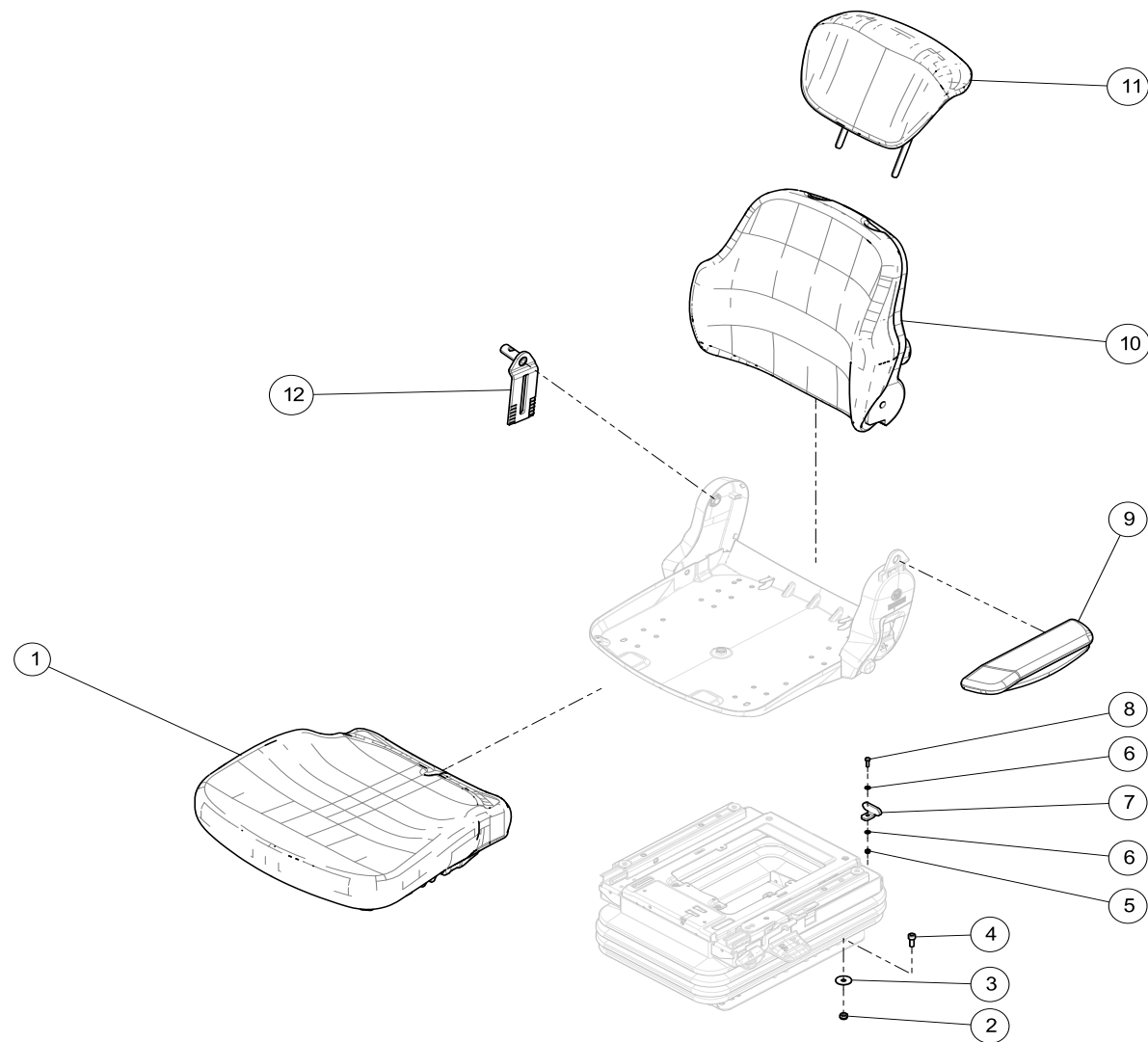
CABIN | KABINE | KABINE
50710-109 + 50710-118
F5/R5



CABIN | KABINE | KABINE
50710-109 + 50710-118
F5/R5

KEY	PART NO.	QTY	SERIAL NO.	DESCRIPTION	BESCHREIBUNG	OMSCHRIJVING
26	2099.0003	1		REARLIGHT COMBINATION,LED	HECKLEUCHTE,LED	ACHTERLICHT,LED
27	110891	2		PIN,SPRING-0.25X1.75-ASME B18.8.2-ZN	STIFT,FEDER-0.25X1.75-ASME B18.8.2-ZN	PEN,VEER-0.25X1.75-ASME B18.8.2-ZN
28	704285	2		LOCKING PIN	SICHERUNGSSTIFT	BLOKKEERPEN
29	110988	2		SPRING	FEDER	VEER
30	103077	2		VIBRATION DAMPER TYPE D	VIBRATIONS DÄMPFER TYP D	TRILLINGSDEMPER TYPE D Ø40X28 M8X23
31	101855	2		LOCK NUT M14	MUTTER SELBSTS.VERZ M14	DIN 985 ZELFBORGENDE MOER M14
32	110453	2		WASHER,DIN125,14-200HV-ZN	UNTERLEGSCHIEBE,DIN125,14-200HV-ZN	SLUITRING,DIN125,14-200HV-ZN
33	704284	2		BUSHING	BUECHSE	BUS
34	110892	2		SCREW,HEX,DIN931,M14X80-8.8-ZN	SKT.SCHRAUBE,DIN931,M14X80-8.8-ZN	ZESK.BOUT,DIN931,M14X80-8.8-ZN
35	50710-210	1		GUARD FOR LIGHTS,FR5	SCHUTZ FUR LEUCHTE,FR5	BESCHERMBEUGEL VOOR VERLICHTING,FR5
36	110676	4		RELAY	RELAY	RELAIS
37	110989	2		FUSE,BLADE MAXI,40A 32V ORANGE	SICHERUNG,MAXI,40A 32V ORANGE	ZEKERING,MAXI,40A 32V ORANJE
38	111177	1		GROMMET	GUMMIMUFFE	TULLE
39	704280	1		WIRING HARNESS,LIGHTING IN BUMPER,FR5	KABELBAUM,BELEUCHTUNG IN STOSSSTANGE,FR5	KABELBUNDEL,VERLICHTING IN BUMPER,FR5
40	704278	1		WIRING HARNESS,LIGHTING,FR5	KABELBAUM,BELEUCHTUNG,FR5	KABELBUNDEL,VERLICHTING,FR5
41	110986	1		FLASHER RELAY,LED	BLINKRELAIS,LED	KNIPPERRELAIS,LED
42	111003	1		SWITCH WARNING LIGHTS	SCHALTER WARNBLINKANZEIGE	SCHAKELAAR ALARMLICHT

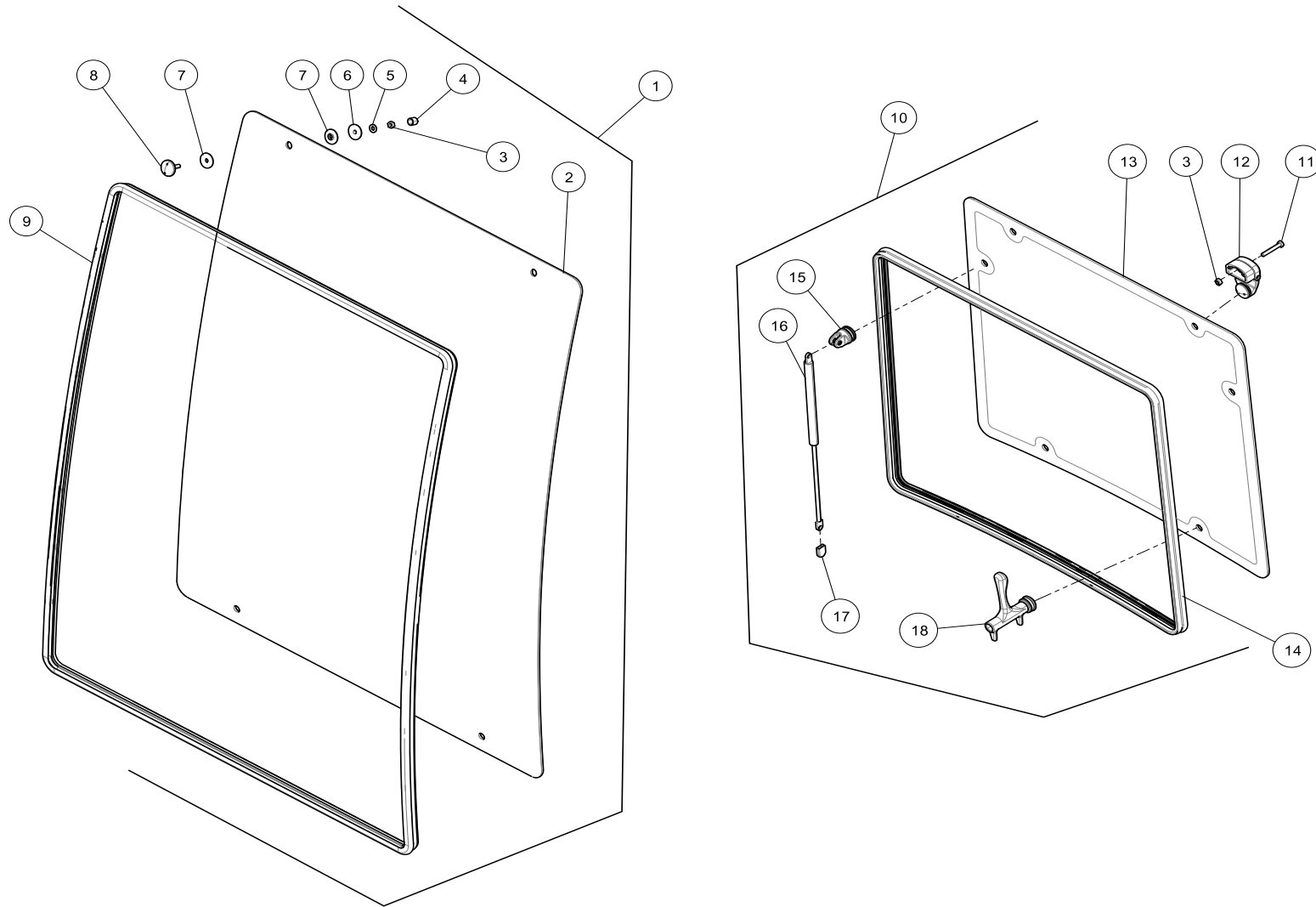
CABIN | KABINE | KABINE
50710-109 + 50710-118
F5/R5



CABIN | KABINE | KABINE
50710-109 + 50710-118
F5/R5

KEY	PART NO.	QTY	SERIAL NO.	DESCRIPTION	BESCHREIBUNG	OMSCHRIJVING
1	110995	1		SEAT PAD	SITZPOLSTER	ZITKUSSEN
2	101852	4		LOCK NUT M8	MUTTER SELBSTS.VERZ M8	DIN 985 ZELFBORGENDE MOER M8
3	110890	4		MUDGUARD WASHER,M8X30X1.5 ZN	KOTFLUGELSCHIEBE,M8X30X1.5 ZN	CARROSSERIERING,M8X30X1.5 ZN
4	110376	4		SCREW,SOC,DIN912,M8X1.25X20-8.8-ZN	ZYL.SCHRAUBE,ISK,DIN912,M8X20-8.8-ZN	CIL.BOUT,BZK,DIN912,M8X20-8.8-ZN
5	110274	1		LOCKNUT,DIN985,M5-6-ZN	SKT.SICHERUNGSMUTTER,DIN985,M5-6-ZN	ZESK.BORGMOER,DIN985,M5-6-ZN
6	110275	2		WASHER DIN125A,M5-ZN	UNTERLEGSCHIEBE DIN125A,M5-ZN	SLUITRING DIN125A,M5-ZN
7	704291	1		STOP,SEAT CABIN	ANSCHLAG,SITZ KABINE	AANSLAG,STOEL KABINE FR5
8	110422	1		SCREW,HEX,DIN933,M5X16-8.8-ZN	SKT.SCHRAUBE,DIN933,M5X16-8.8-ZN	ZESK.TAPBOUT,DIN933,M5X16-8.8-ZN
9	110998	1		ARMREST,LEFT	ARMLEHNE,LINKS	ARMLEUNING,LINKS
10	704248	1		HOSE LINE P811CA19282016-1250	SCHLAUCHLEITUNG P811CA19282016-1250	HYDROSLANG P811CA19282016-1250
11	110997	1		SEAT BACK EXTENSION	RUECKENVERLANGERUNG	RUGLEUNINGVERLENGING
12	110992	1		PIVOT,CONTROL ARM,M3	HALTER,ARMLEHNE,M3	HOUDER,ARMLEUNING,M3
	110991	1		SEAT,FABRIC,CAB VERSION M3	SITZ,GEWEBE,KABINE VERSION M3	STOEL,STOF,KABINE VERSIE M3

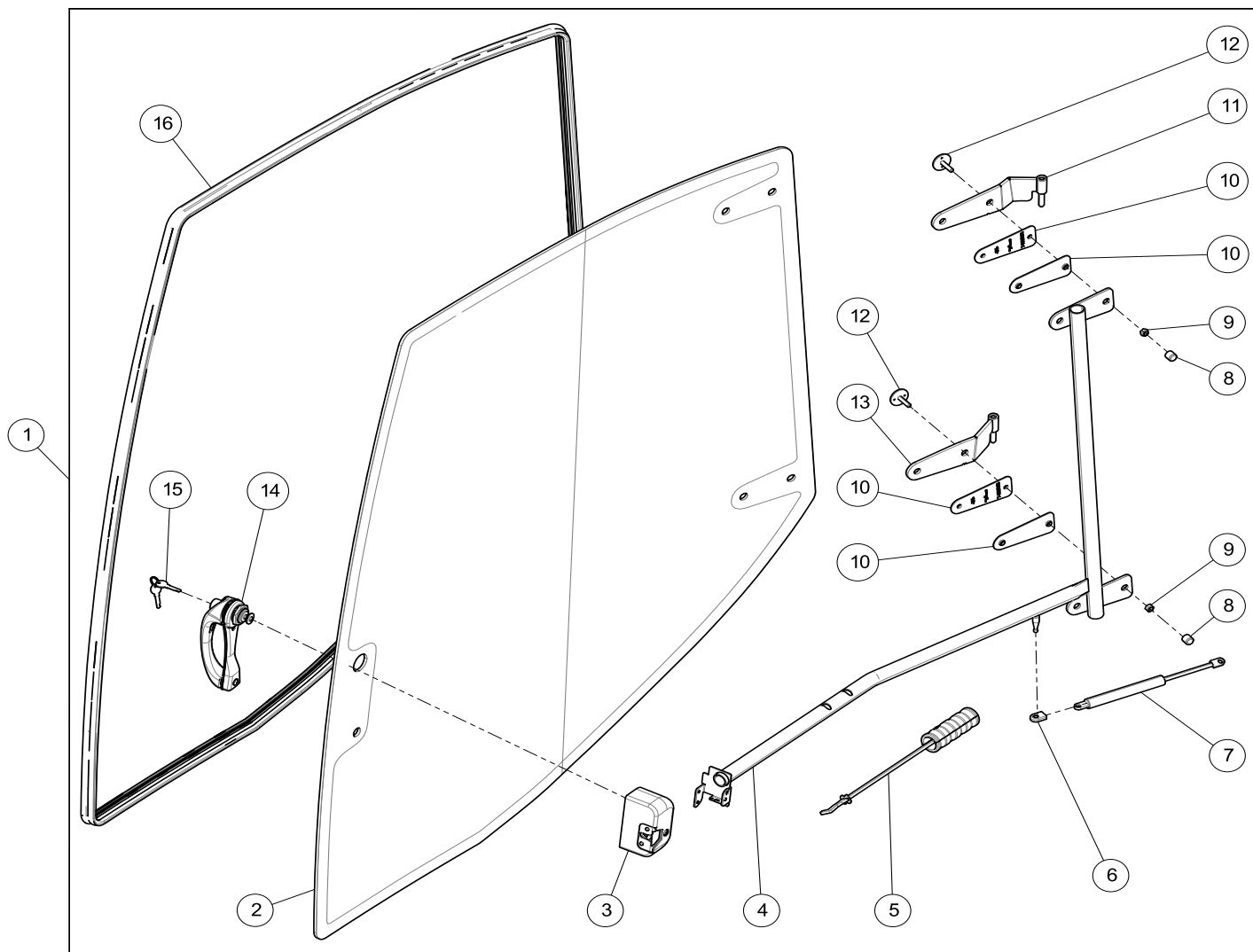
CABIN | KABINE | KABINE
50710-109 + 50710-118
F5/R5



CABIN | KABINE | KABINE
50710-109 + 50710-118
F5/R5

KEY	PART NO.	QTY	SERIAL NO.	DESCRIPTION	BESCHREIBUNG	OMSCHRIJVING
1	111395	1		WINDSCREEN CPL.,K-490	WINDSCHUTZSCHEIBE KPL.,K-490	VOORRUIT KPL.,K-490
2	110951	1		GLASS,WINDSCREEN,K-490	GLAS,WINDSCHUTZSCHEIBE,K-490	GLAS,VOORRUIT,K-490
3	110898	14		LOCKNUT,FL,ISO7043,M8-10-ZN	SKT.SICHERUNGSMUTTER,FL,ISO7043,M8-10-ZN	ZESK.BORGMOER,FL,ISO7043,M8-10-ZN
4	110954	12		PROTECTION CAP,SW13	SCHUTZKAPPE,SW13	BESCHERMDOOP,SW13
5	110214	4		WASHER DIN125A,M8-ZN	UNTERLEGSCHIEBE DIN125A,M8-ZN	SLUITRING DIN125A,M8-ZN
6	111407	4		WASHER HARD WITH EDGE,8X35,K-490	SCHEIBE HART MIT RAND,8X35,K-490	SLUITRING HARD MET RAND,8X35,K-490
7	111404	14		WASHER SOFT WITH EDGE,8X35,K-490	SCHEIBE WEICH MIT RAND,8X35,K-490	SLUITRING ZACHT MET RAND,8X35,K-490
8	110955	12		COMBINATION SCREW M8X32,K-490	KOMBISCHRAUBE M8X32,K-490	COMBINATIESCHROEF M8X32,K-490
9	110906	1		SEALING TRIM GLASS,PER METER,K-490	KEDER GLASS, PRO METER,K-490	RAAMRUBBER,PER METER,K-490
10	705500	1		REAR WINDOW CPL.,K-490	HECKSCHEIBE KPL.,K-490	ACHTERRUIT KPL.,K-490
11	110896	2		SCREW,HEX,DIN933,M8X50-8.8-ZN	SKT.SCHRAUBE,DIN933,M8X50-8.8-ZN	ZESK.BOUT,DIN933,M8X50-8.8-ZN
12	110902	2		HINGE WITH SPACER,K-490	SCHARNIER MIT DISTANZ,K-490	SCHARNIER MET AFSTANDHOUDER,K-490
13	110952	1		GLASS,REAR WINDOW,K-490	GLAS,HECKSCHEIBE,K-490	GLAS,ACHTERRUIT,K-490
14	110906	1		SEALING TRIM GLASS,PER METER,K-490	KEDER GLASS, PRO METER,K-490	RAAMRUBBER,PER METER,K-490
15	110903	2		BRACKET GAS SPRING,K-490	HALTER GASFEDER,K-490	HOUDER GASVEER,K-490
16	110904	2		GAS SPRING,K-490	GASFEDER,K-490	GASVEER,K-490
17	110905	4		HOLDER BALL HEAD,K-490	HALTERUNG KUGELKOPF,K-490	HOUDER KOGELKOP,K-490
18	110901	2		LOCK WITH VENTILATION FUNCTION,K-490	VERSCHLUSS MIT LUFTUNGSFUNKTION,K-490	VERGRENDELING VENTILATIEFUNCTIE,K-490

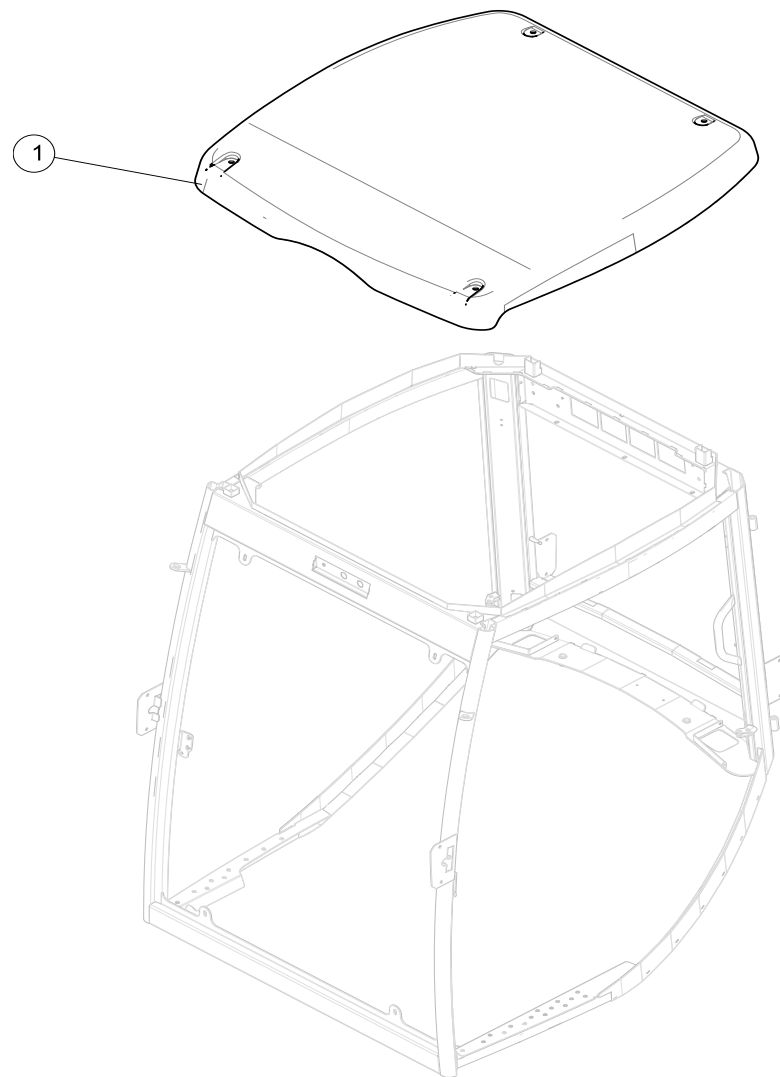
CABIN | KABINE | KABINE
50710-109 + 50710-118
F5/R5



CABIN | KABINE | KABINE
50710-109 + 50710-118
F5/R5

KEY	PART NO.	QTY	SERIAL NO.	DESCRIPTION	BESCHREIBUNG	OMSCHRIJVING
1	111775	1		DOOR,LEFT CPL.,K-490	TUR,LINKS KPL.,K-490	DEUR,LINKS KPL.,K-490
1	112295	1		DOOR,RIGHT	TUR,RECHTS	DEUR,RECHTS
2	110949	1		GLASS,DOOR LEFT,K-490	GLAS,TUR LINKS,K-490	GLAS,DEUR LINKS,K-490
2	110950	1		GLASS,DOOR RIGHT,K-490	GLAS,TUR RECHTS,K-490	GLAS,DEUR RECHTS,K-490
3	110917	1		DOOR SAFETY LOCK LEFT,K-490	TURSCHLOSS LINKS,K-490	DEURSLOT LINKS,K-490
3	110912	1		DOOR SAFETY LOCK RIGHT,K-490	TURSCHLOSS RECHTS,K-490	DEURSLOT RECHTS,K-490
4	110976	1		DOOR BAR LEFT,K-490	TURBUGEL LINKS,K-490	DEURBEUGEL LINKS,K-490
4	110970	1		DOOR BAR RIGHT,K-490	TURBUGEL RECHTS,K-490	DEURBEUGEL RECHTS,K-490
5	110911	1		DOOR UNLOCKER,K-490	FERNAUSLOSEGESTANGE,K-490	DEURONTGREDELING,K-490
6	110905	1		HOLDER BALL HEAD,K-490	HALTERUNG KUGELKOPF,K-490	HOUDER KOGELKOP,K-490
7	110913	1		GAS SPRING DOOR,K-490	GASFEDER TUR,K-490	GASVEER DEUR,K-490
8	110954	4		PROTECTION CAP,SW13	SCHUTZKAPPE,SW13	BESCHERMDOP,SW13
9	110898	4		LOCKNUT,FL,ISO7043,M8-10-ZN	SKT.SICHERUNGSMUTTER,FL,ISO7043,M8-10-ZN	ZESK.BORGMOER,FL,ISO7043,M8-10-ZN
10	110957	4		RUBBER STRIP,K-490	UNTERLAGSGUMMI,K-490	RUBBER STRIP,K-490
11	110974	1		HINGE,DOOR LEFT UPPER,K-490	SCHARNIER,TUR LINKS OBEN,K-490	SCHARNIER,DEUR LINKS BOVEN,K-490
11	110968	1		HINGE,DOOR RIGHT UPPER,K-490	SCHARNIER,TUR RECHTS OBEN,K-490	SCHARNIER,DEUR RECHTS BOVEN,K-490
12	110955	4		COMBINATION SCREW M8X32,K-490	KOMBISCHRAUBE M8X32,K-490	COMBINATIESCHROEF M8X32,K-490
13	110978	1		HINGE,DOOR LEFT LOWER,K-490	SCHARNIER,TUR LINKS UNTEN,K-490	SCHARNIER,DEUR LINKS ONDER,K-490
13	110972	1		HINGE,DOOR RIGHT LOWER,K-490	SCHARNIER,TUR RECHTS UNTEN,K-490	SCHARNIER,DEUR RECHTS ONDER,K-490
14	110910	1		DOOR HANDLE,K-490	TURGRIFF,K-490	DEURGREEP,K-490
15	110981	2		KEY,CABIN,K490/2	SCHLUSSEL,KABINE,K490/2	SLEUTEL,KABINE,K490/2
16	110906	4.7		SEALING TRIM GLASS,PER METER,K-490	KEDER GLASS, PRO METER,K-490	RAAMRUBBER,PER METER,K-490

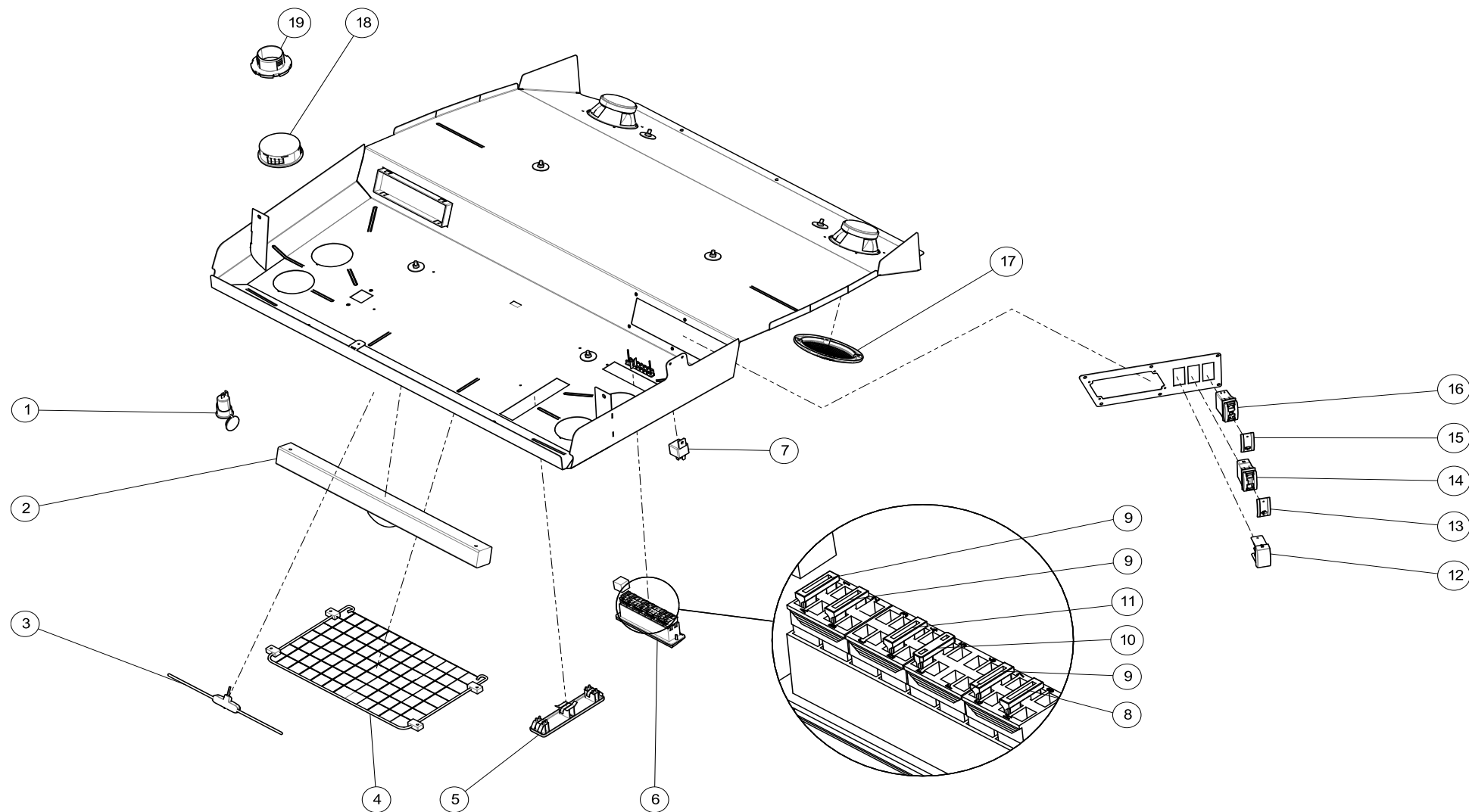
CABIN | KABINE | KABINE
50710-109 + 50710-118
F5/R5



CABIN | KABINE | KABINE
50710-109 + 50710-118
F5/R5

KEY	PART NO.	QTY	SERIAL NO.	DESCRIPTION	BESCHREIBUNG	OMSCHRIJVING
1	110948	1		CANOPY	SCHUTZDACH	ZONNEKAP

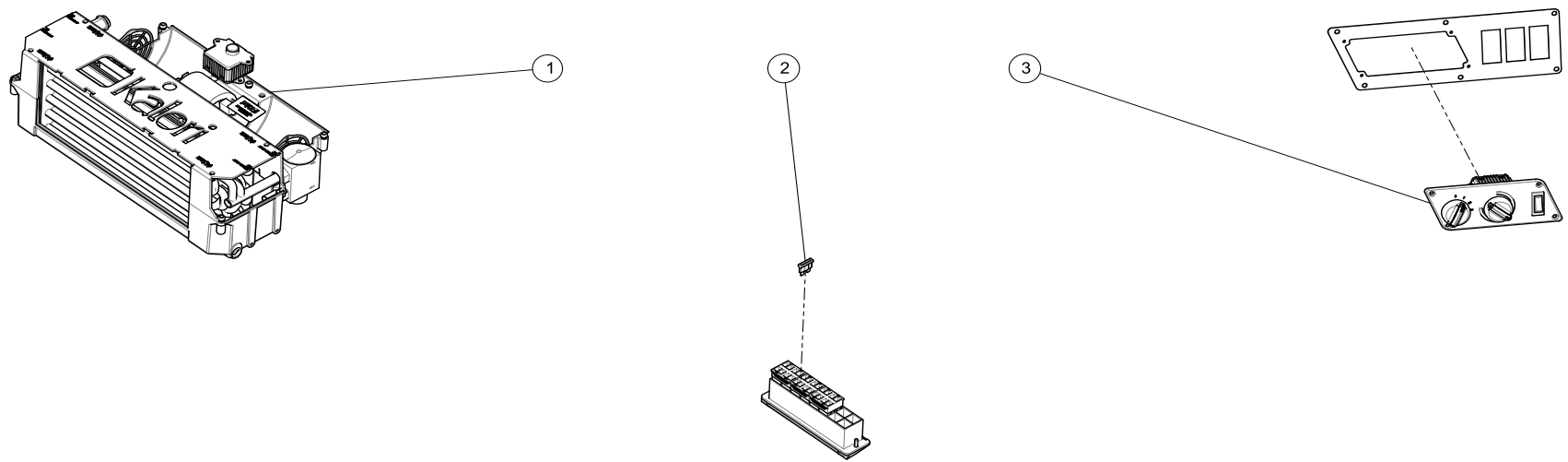
CABIN | KABINE | KABINE
50710-109 + 50710-118
F5/R5



CABIN | KABINE | KABINE
50710-109 + 50710-118
F5/R5

KEY	PART NO.	QTY	SERIAL NO.	DESCRIPTION	BESCHREIBUNG	OMSCHRIJVING
1	110919	1		CONNECTOR 12V,K-490	STECKDOSE 12V,K-490	AANSLUITING 12V,K-490
2	110922	1		SUN VISOR,K-490	SONNENROLLO,K-490	ZONNESCHERM,K-490
3	110927	1		GLAS ANTENNA,K-490	GLASANTENNE,K-490	GLASANTENNE,K-490
4	110923	1		MESH POCKET,K-490	NETZTASCHE,K-490	BAGAGENET,K-490
5	110918	1		INTERNAL LIGHTING,K-490	EINBAU-INNENBELEUCHTUNG,K-490	BINNENVERLICHTING,K-490
6	110920	1		FUSE BOX,K-490	SICHERUNGSKASTEN,K-490	ZEKERINGSDOOS,K-490
7	110926	2		RELAY,K-490	RELAIS,K-490	RELAIS,K-490
8	100186	1		FUSE ATO 5A	SIGERUNG ATO 5A	ZEKERING ATO 5A
9	100188	3		FUSE ATO 10A	SIGERUNG ATO 10A	ZEKERING ATO 10A
10	100187	1		FUSE ATO 7,5A	SIGERUNG ATO 7,5A	ZEKERING ATO 7,5A
11	100189	1		FUSE ATO 15A	SIGERUNG ATO 15A	ZEKERING ATO 15A
12	110963	1		BLIND COVER,K-490	BLINDDECKEL,K-490	AFDEKKAP,K-490
13	112294	1		SYMBOL	SYMBOL	SYMBOOL
14	112029	1		SWITCH WITH ILUMINATION,K-490	TASTER MIT SUCHBELEUCHTUNG,K-490	SCHAKELAAR MET VERLICHTING,K-490
15	110962	1		SYMBOL WINDSCREEN WIPER,K-490	SYMBOL SCHEIBENWISCHER,K-490	SYMBOOL RUITENWISSER,K-490
16	110924	1		ROCKER SWITCH,K-490	WIPPSCHALTER,K-490	WIPSCHAKELAAR,K-490
17	110959	2		COVER SPEAKER,K-490	ABDECKUNG LAUTSPRECHER,K-490	AFDEKKAP LUIDSPREKER,K-490
18	110960	4		VENTILATION NOZZLE,K-490	LUFTDUSE,K-490	VENTILATIEROOSTER,K-490
19	110961	4		HOSE ADAPTER,K-490	SCHLAUCHADAPTER,K-490	SLANGAANSLUITING,K-490

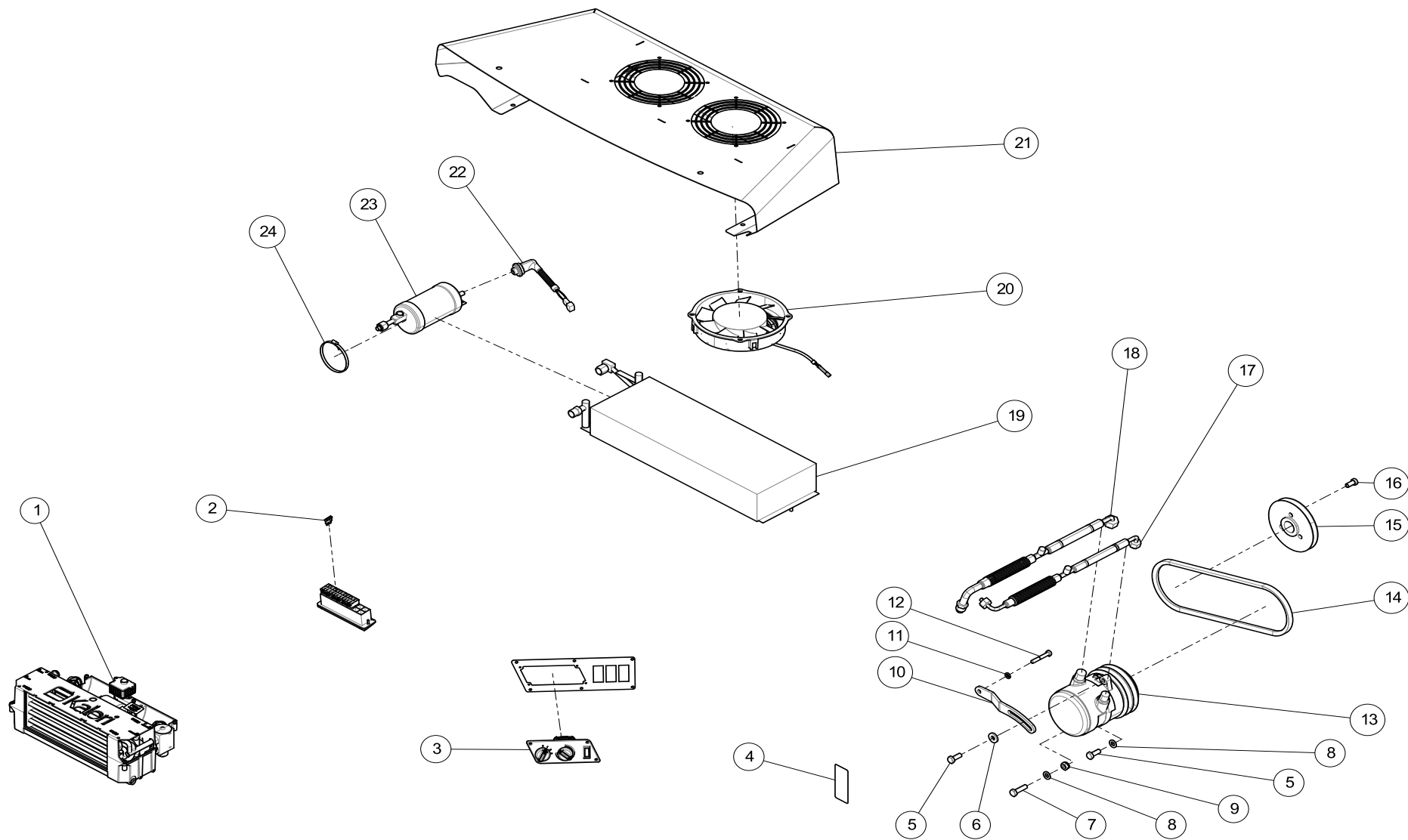
CABIN | KABINE | KABINE
50710-118
F5/R5



CABIN | KABINE | KABINE
50710-118
F5/R5

KEY	PART NO.	QTY	SERIAL NO.	DESCRIPTION	BESCHREIBUNG	OMSCHRIJVING
1	111165	1		HEATING,K-490	HEIZUNG,K-490	VERWARMING,K-490
2	100191	1		FUSE ATO 25A	SIGERUNG ATO 25A	ZEKERING ATO 25A
3	111166	1		CONTROL PANEL FOR HEATING,K-490	BEDIENPANEL FUR HEIZUNG,K-490	BEDIENINGSPANEEL VOOR VERWARMING,K-490

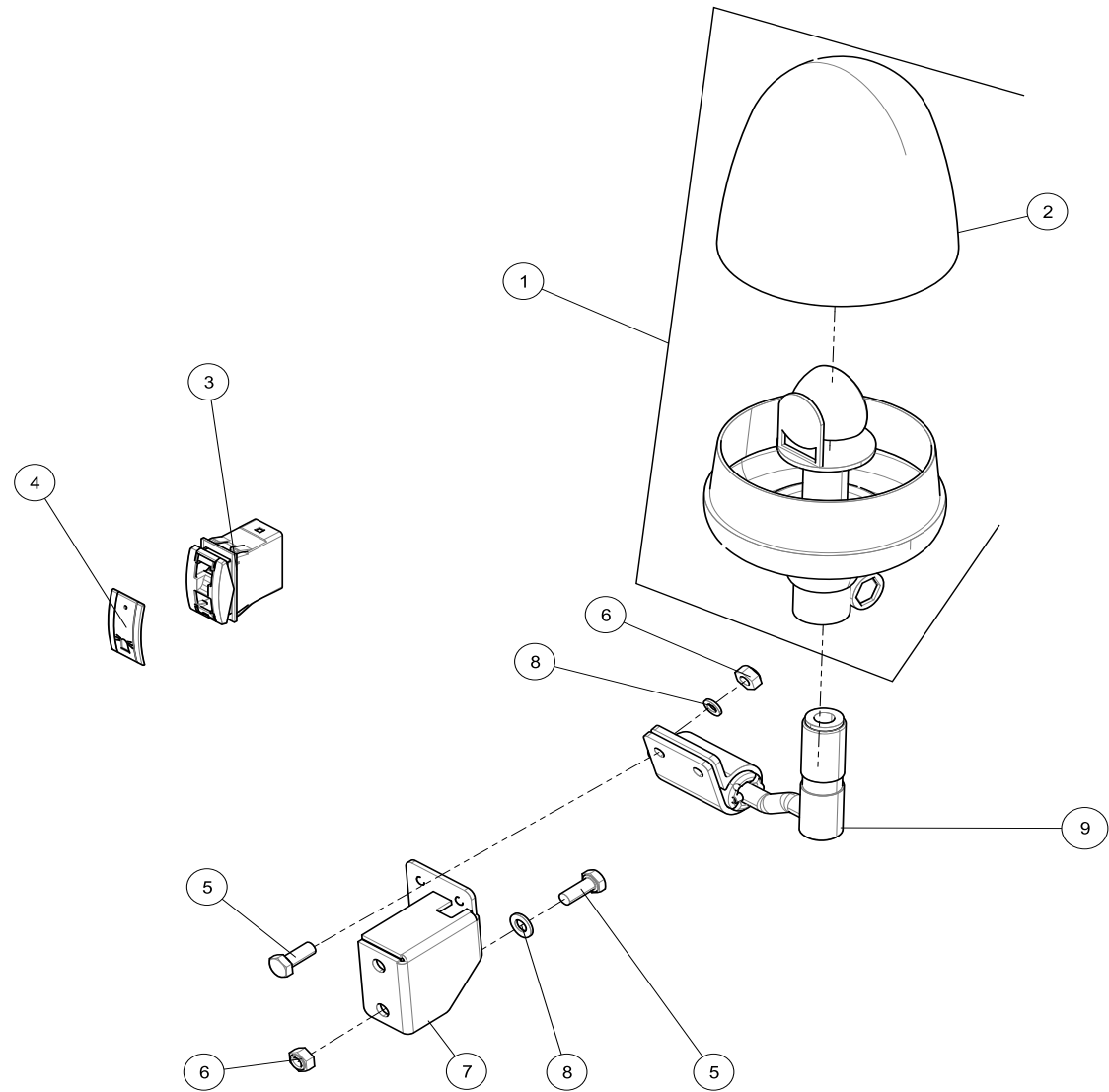
CABIN | KABINE | KABINE
50710-123
F5/R5



CABIN | KABINE | KABINE
50710-123
F5/R5

KEY	PART NO.	QTY	SERIAL NO.	DESCRIPTION	BESCHREIBUNG	OMSCHRIJVING
1	110928	1		HEATING-AIRCO,K-490	HEIZUNG-KLIMAANLAGE,K-490	VERWARMING-AIRCO,K-490
2	100191	1		FUSE ATO 25A	SIGERUNG ATO 25A	ZEKERING ATO 25A
3	110929	1		CONTROL PANEL FOR AIRCO,K-490	BEDIENPANEL FUR KLIMA,K-490	BEDIENINGSPANEEL VOOR AIRCO,K-490
4	704286	1		LABEL,F-GAS	AUFKLEBER,F-GAS	STICKER,F-GAS
5	110883	2		SCREW,HEX,DIN961-M10X1.25X25-8.8-ZN	SKT.SCHRAUBE,DIN961-M10X1.25X25-8.8-ZN	ZESK.TAPBOUT,DIN961-M10X1.25X25-8.8-ZN
6	110889	1		WASHER,DIN7349,M10-ZN	UNTERLEGSCHIEBE,DIN7349,M10-ZN	SLUITRING,DIN7349,M10-ZN
7	110884	1		SCREW,HEX,DIN961-M10X1.25X35-8.8-ZN	SKT.SCHRAUBE,DIN961-M10X1.25X35-8.8-ZN	ZESK.TAPBOUT,DIN961-M10X1.25X35-8.8-ZN
8	110200	2		WASHER DIN125A,M10-ZN	UNTERLEGSCHIEBE DIN125A,M10-ZN	SLUITRING DIN125A,M10-ZN
9	110888	1		LOCKNUT,DIN985,M10X1.25-8-ZN	SICHERUNGSMUTTER,DIN985,M10X1.25-8-ZN	ZESK.BORGMOER,DIN985,M10X1.25-8-ZN
10	704288	1		BRACKET COMPRESSOR,FR5	KONSOLE KOMPRESSOR,FR5	HOUDER COMPRESSOR,FR5
11	110197	1		WASHER,SPRING,DIN128,M8-ZN	FEDERRING,DIN128,M8-ZN	VEERRING,DIN128,M8-ZN
12	110882	1		SCREW,HEX,DIN931,M8X50-8.8-ZN	SKT.SCHRAUBE,DIN931,M8X50-8.8-ZN	ZESK.BOUT,DIN931,M8X50-8.8-ZN
13	110937	1		AIRCO COMPRESSOR,K-490	AIRCO KOMPRESSOR,K-490	AIRCO COMPRESSOR,K-490
14	110853	1		V-BELT,SPA1032	KEILRIEMEN,SPA1032	V-SNAAR,SPA1032
15	111004	1		PULLEY AIRCO	KEILRIEMENSCHIEBE AIRCO	V-SNAARSCHIJF AIRCO
16	110885	3		SCREW,SOC,FLAT,DIN7984,M10X20-8.8-ZN	ZYL.SCHRAUBE,ISK,DIN7984,M10X20-8.8-ZN	CIL.BOUT,BZK,LAAG,DIN7984,M10X20-8.8-ZN
17	110946	1		AIR CONDITIONING HOSE,K-490	KLIMASCHLAUCH,K-490	AIRCO SLANG,K-490
18	110945	1		AIR CONDITIONING HOSE,K-490	KLIMASCHLAUCH,K-490	AIRCO SLANG,K-490
19	110930	1		CONDENSOR,K-490	VERFLUSSIGER,K-490	CONDENSOR,K-490
20	110935	2		FAN,K-490	VENTILATOR,K-490	VENTILATOR,K-490
21	110934	1		COVER FOR DRYER,K-490	ABDECKUNG FUR TROCKNER,K-490	AFDEKKAP VOOR DROGER,K-490
22	110933	1		PUSH BUTTON FOR AIRCO,K-490	DRUCKSCHALTER FUR KLIMA,K-490	DRUKKNOP VOOR AIRCO,K-490
23	110931	1		DRYER,K-490	TROCKNER,K-490	DROGER,K-490
24	110932	1		HOSE CLIP,77-90,K-490	SCHLAUCHSCHELLE,77-90,K-490	SLANGKLEM,77-90,K-490

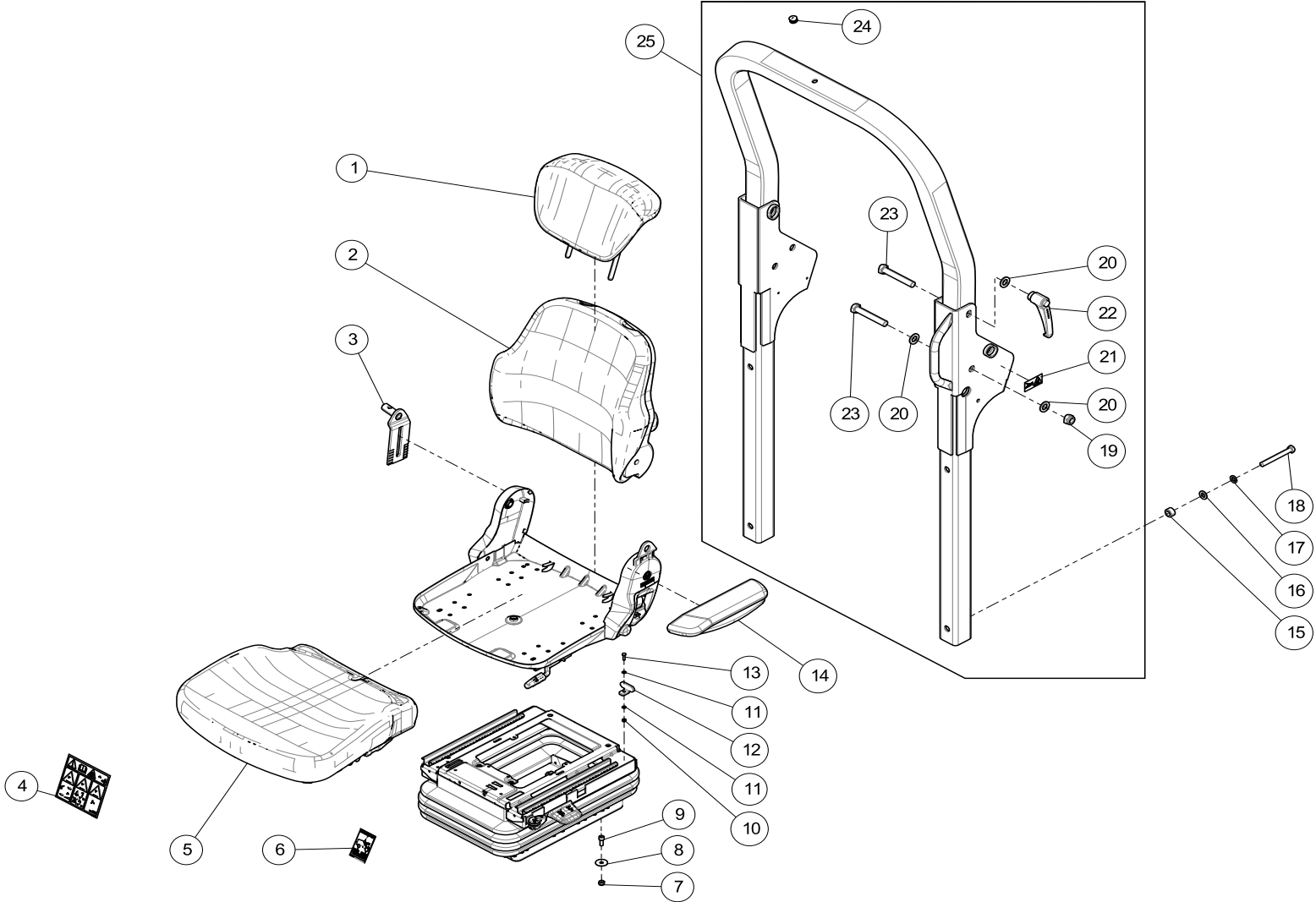
CABIN | KABINE | KABINE
50710-109 + 50710-118
F5/R5



CABIN | KABINE | KABINE
50710-109 + 50710-118
F5/R5

KEY	PART NO.	QTY	SERIAL NO.	DESCRIPTION	BESCHREIBUNG	OMSCHRIJVING
1	110880	1		ROTATING LIGHT (LED)	RUNDUMLEUCHTE (LED)	ZWAAILAMP (LED)
2	111872	1		LENS,ROTATING LIGHT	LICHTSCHEIBE,RUNDUMLEUCHTE	GLASKAP,ZWAAILICHT
3	110925	1		ROCKER SWITCH ON-OFF,K-490	WIPPSCHALTER EIN-AUS,K-490	WIPSCHAKELAAR AAN-UIT,K-490
4	110980	1		SYMBOL,ROTATING LIGHT,K-490	SYMBOL,RUNDUMLEUCHTE,K-490	SYMBOOL,ZWAAILICHT,K-490
5	110192	4		SCREW,HEX,DIN933,M8X20-8.8-ZN	SKT.SCHRAUBE,DIN933,M8X20-8.8-ZN	ZESK.TAPBOUT,DIN933,M8X20-8.8-ZN
6	110898	4		LOCKNUT,FL,ISO7043,M8-10-ZN	SKT.SICHERUNGSMUTTER,FL,ISO7043,M8-10-ZN	ZESK.BORGMOER,FL,ISO7043,M8-10-ZN
7	111167	1		SUPPORT,ROTATING LIGHT,K-490	HALTER,RUNDUMLEUCHTE,K-490	HOUDER,ZWAAILICHT,K-490
8	110214			WASHER DIN125A,M8-ZN	UNTERLEGSCHIEBE DIN125A,M8-ZN	SLUITRING DIN125A,M8-ZN
9	110881	1		KIT SUPPORT ROTATING BEACON	SATZ STUETZE RUNDUMLEUCHTE	SET HOUDER ZWAAILAMP

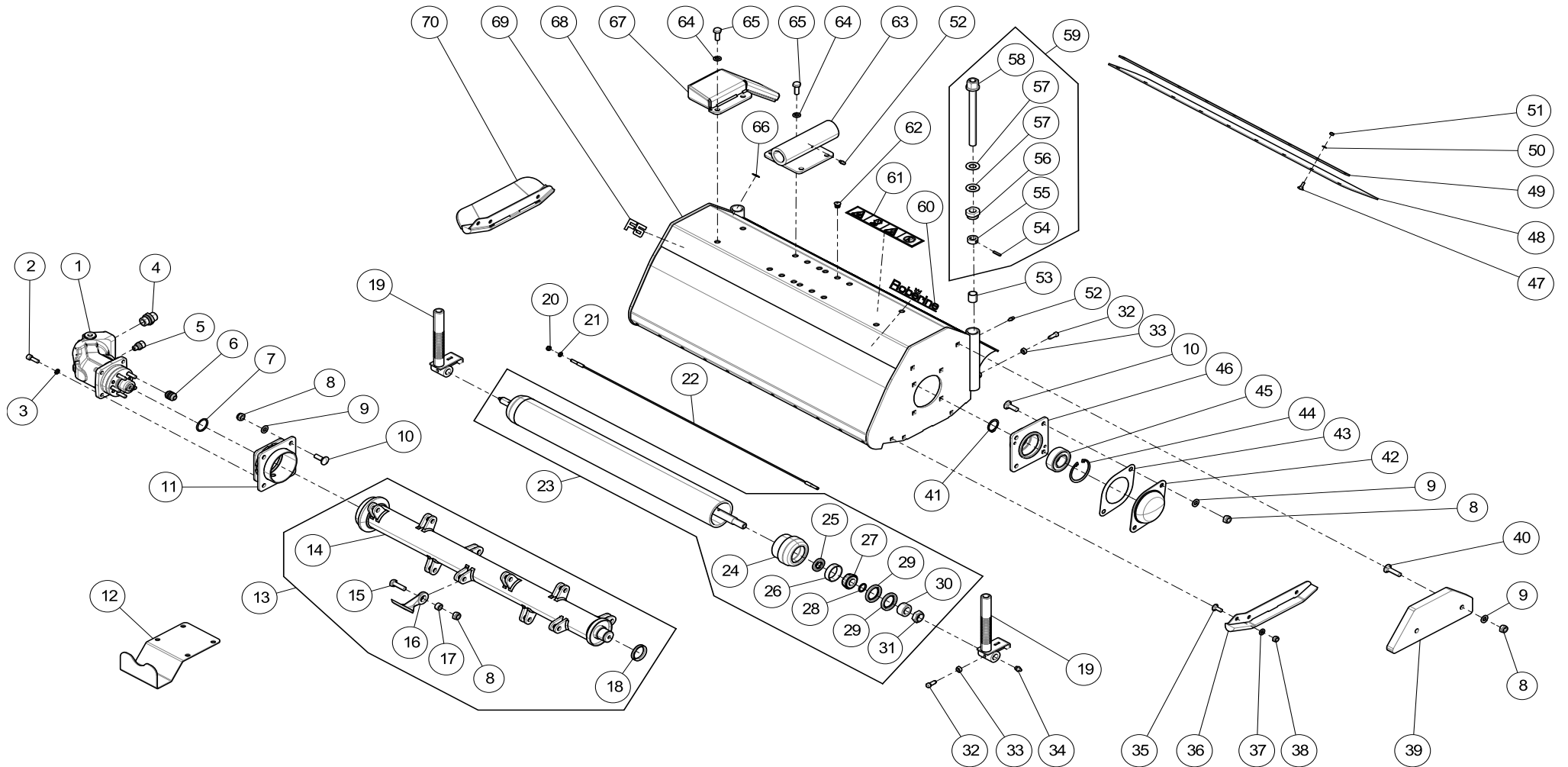
ROPS | ROPS | ROPS
50710-110
F5/R5



ROPS | ROPS | ROPS
50710-110
F5/R5

KEY	PART NO.	QTY	SERIAL NO.	DESCRIPTION	BESCHREIBUNG	OMSCHRIJVING
1	111012	1		SEAT BACK EXTENSION	RUECKENVERLÄNGERUNG	RUGLEUNINGVERLENGING
2	111011	1		CUSHION,SEAT BACK	POLSTER,R?CKLEHNE	KUSSEN,RUGLEUNING
3	110992	1		PIVOT,CONTROL ARM,M3	HALTER,ARMLEHNE,M3	HOUDER,ARMLEUNING,M3
4	704300	1		DECAL,ALERTS FR5 ROPS	AUFKLEBER,WARNUNGEN FR5 ROPS	STICKER,WAARSCHUWINGEN FR5 ROPS
5	111010	1		SEAT PAD	SITZPOLSTER	ZITKUSSEN
6	704299	1		DECAL,TYRE PRESSURE FR5 ROPS	AUFKLEBER,REIFENDRUECK FR5 ROPS	STICKER,BANDENSPANNING FR5 ROPS
7	101852	4		LOCK NUT M8	MUTTER SELBSTS.VERZ M8	DIN 985 ZELFBORGENDE MOER M8
8	110890	4		MUDGUARD WASHER,M8X30X1.5 ZN	KOTFLUGELSCHIEBE,M8X30X1.5 ZN	CARROSSERIERING,M8X30X1.5 ZN
9	110376	4		SCREW,SOC,DIN912,M8X1.25X20-8.8-ZN	ZYL.SCHRAUBE,ISK,DIN912,M8X20-8.8-ZN	CIL.BOUT,BZK,DIN912,M8X20-8.8-ZN
10	101852	2		LOCK NUT M8	MUTTER SELBSTS.VERZ M8	DIN 985 ZELFBORGENDE MOER M8
11	110275	2		WASHER DIN125A,M5-ZN	UNTERLEGSCHIEBE DIN125A,M5-ZN	SLUITRING DIN125A,M5-ZN
12	704291	1		STOP,SEAT CABIN	ANSCHLAG,SITZ KABINE	AANSLAG,STOEL KABINE FR5
13	110422	1		SCREW,HEX,DIN933,M5X16-8.8-ZN	SKT.SCHRAUBE,DIN933,M5X16-8.8-ZN	ZESK.TAPBOUT,DIN933,M5X16-8.8-ZN
14	110998	1		ARMREST,LEFT	ARMLEHNE,LINKS	ARMLEUNING,LINKS
15	704301	4		SPACER ROPS	DISTANZBUCHSE ROPS	AFSTANDBUS ROPS
16	110230	4		WASHER DIN125A,M12-ZN	UNTERLEGSCHIEBE DIN125A,M12-ZN	SLUITRING DIN125A,M12-ZN
17	110452	4		WASHER,SPRING,DIN128,M12-ZN	FEDERRING,DIN128,M12-ZN	VEERRING,DIN128,M12-ZN
18	111005	4		SCREW,HEX,DIN931,M12X100-8.8-ZN	SKT.SCHRAUBE,DIN931,M12X100-8.8-ZN	ZESK.BOUT,DIN931,M12X100-8.8-ZN
19	101856	2		LOCK NUT M16	MUTTER SELBSTS.VERZ M16	DIN 985 ZELFBORGENDE MOER M16
20	108429	6		WASHER	UNTERLEGSCHIEBE	SLUITRING
21	704298	1		DECAL ROPS WARNING	AUFKLEBER ROPS ACHTUNG	STICKER ROPS WAARSCHUWING
22	111008	2		HANDLE,ROPS,M3	HEBEL,ROPS,M3	HENDEL,ROPS,M3
23	111006	4		SCREW,HEX,DIN931,M16X100-8.8-ZN	SKT.SCHRAUBE,DIN931,M16X100-8.8-ZN	ZESK.BOUT,DIN931,M16X100-8.8-ZN
24	111007	1		TULLE,RUBBER	TULL,GUMMI	TULE,RUBBER
25	50710-111	1		ROPS CPL. M3 M5	ROPS KPL,M3	ROPS KPL,M3
	111009	1		SEAT COMFORT	SITZ COMFORT	STOEL COMFORT

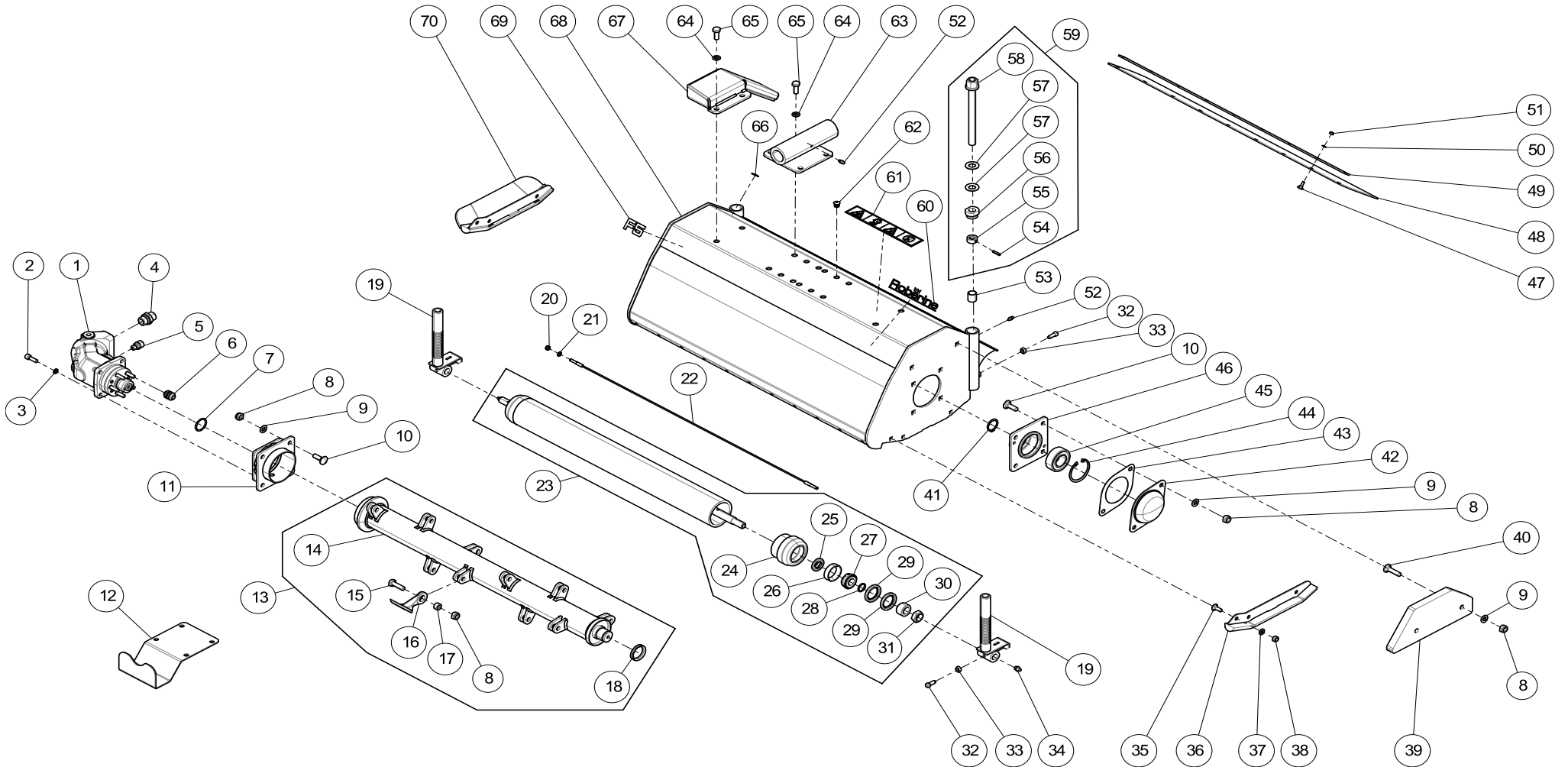
FLAIL UNITS | SCHLEGELUNITS | KLEPELUNITS
50679-111
F5



FLAIL UNITS | SCHLEGELUNITS | KLEPELUNITS
50679-111
F5

KEY	PART NO.	QTY	SERIAL NO.	DESCRIPTION	BESCHREIBUNG	OMSCHRIJVING
1	704646	3		MOWING MOTOR WITH HUB,FLAIL,LEFT,F3	MAEHMOTOR MIT NABE,SCHLEGELUNIT,LINKS	MAAIMOTOR MET KOPPELING,KLEPELUNIT,LI,F3
1	704516	2		MOWING MOTOR WITH HUB,FLAIL,RIGHT,F3	MAEHMOTOR MIT NABE,SCHLEGELUNIT,RECHTS	MAAIMOTOR MET KOPPELING,KLEPELUNIT,RE,F3
1.1	110277	1		O-RING 52,07X2,62	O-RING 52,07X2,62	O-RING 52,07X2,62
1.2	110278	1		O-RING 18,72X2,62	O-RING 18,72X2,62	O-RING 18,72X2,62
1.3	110279	1		O-RING 64,77X2,62	O-RING 64,77X2,62	O-RING 64,77X2,62
1.4	110280	1		SEALING RING,28X40X6/5	DICHTUNG,28X40X6/5	AFDICHTINGSRING,28X40X6/5
1.5	102943	1		FEATHERD KEY 6X6X32	PASSFEDER 6X6X32MM	INLEGSPIE 6X6X32
2	110217	4		SCREW,SOC,DIN912,M8X25-8.8-ZN	ZYL.SCHRAUBE,ISK,DIN912,M8X25-8.8-ZN	CIL.BOUT,BZK,DIN912,M8X25-8.8-ZN
3	110228	4		SPRING WASHER,A8MM DIN7980 ZN	FEDERRING,A8MM DIN7980 ZN	VEERRING,A8MM DIN7980 ZN
4	101647	2		MALE STUD ADAPTER 15L - M22X1,5	GERADE EINSCHRAUB ADAPTER 15L - M22X1,5	RECHTE INSCHROEFKOPPELING 15L - M22X1,5
5	110284	1		MALE STUD ADAPTER 12L - M12X1,5	GERADE EINSCHRAUB ADAPTER 12L - M12X1,5	RECHTE INSCHROEFKOPPELING 12L - M12X1,5
6	703887	5		COUPLER SHEATH,F3	KUPPLUNGSHUELSE,F3	KOPPELINGSHULS,F3
7	110285	1		O-RING 30X3	O-RING 30X3	O-RING 30X3
8	101853	22		LOCK NUT M10	MUTTER SELBSTS.VERZ M10	DIN 985 ZELFBORGENDE MOER M10
9	110200	12		WASHER DIN125A,M10-ZN	UNTERLEGSCHIEBE DIN125A,M10-ZN	SLUITRING DIN125A,M10-ZN
10	110272	8		BOLT,RH,SQNECK,DIN603,M10X30-8.8-ZN	FLACHRUNDSCHRAUBE,DIN603,M10X30-8.8-ZN	SLOTBOUT,DIN603,M10X30-8.8-ZN
11	50678-209S	1		COUPLER BODY,F3	KUPPLUNGSGEHAUSE,F3	KOPPELINGSHUIS,F3
12	703891	1		GUIDE PLATE CENTER CUTTING UNIT F5	FUHRUNGSBLECH MAEHAGGREGAT MITTE F5	GELEIDEPLAAT SNIJMACHINE MIDDEN F5
13	50678-216	2		ROTOR SHAFT CPL. RIGHT,F3	ROTORWELLE,KPL. RECHTS,F3	ROTORAS KPL. RECHTS,F3
13	50678-101	3		ROTOR SHAFT CPL. LEFT,F3	ROTORWELLE,KPL. LINKS,F3	ROTORAS KPL. LINKS,F3
14	1702.1078	1		ROTORAS	SCHLEGELWELLE	ROTORAS
15	703875	12		BOLT M10X35/15-12.9	SKT.SCHRAUBE M10X35/15-12.9	ZESKANTBOUT M10X35/15-12.9
16	0062.6573	12		FLAIL 2017	SCHLEGEL 2017	KLEPEL 2017
17	0011.0497	12		BUSHING,FLAIL 2017	BUECHSE,SCHLEGEL 2017	BUS,KLEPEL 2017
18	110281	1		V-RING	V-RING	V-RING

FLAIL UNITS | SCHLEGELUNITS | KLEPELUNITS
50679-111
F5



FLAIL UNITS | SCHLEGELUNITS | KLEPELUNITS

50679-111

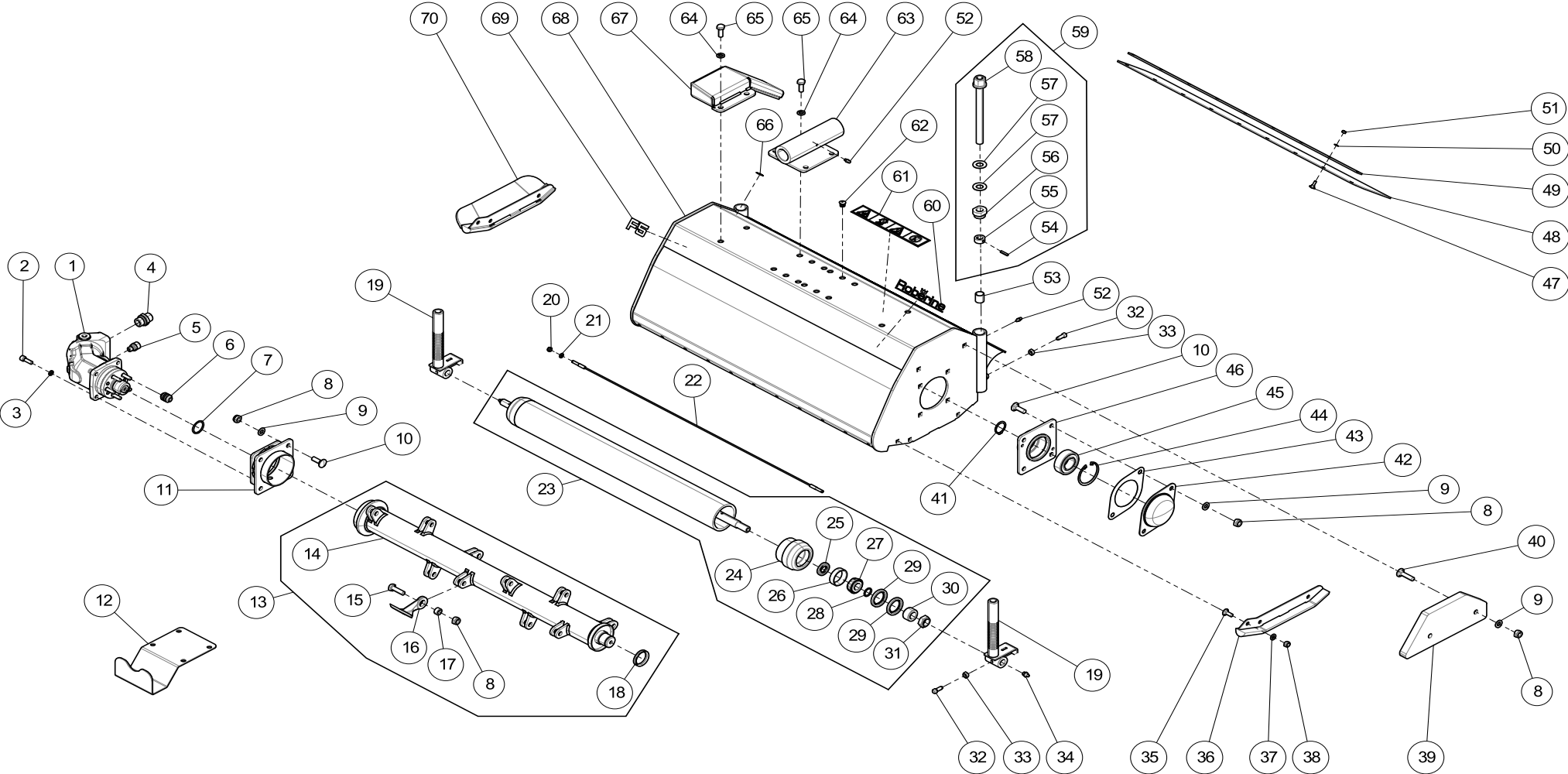
F5

KEY	PART NO.	QTY	SERIAL NO.	DESCRIPTION	BESCHREIBUNG	OMSCHRIJVING
19	50678-202	2		HEIGHT ADJUSTER F3	HOHENVERSTELLUNG F3	HOOGTEVERSTELLING F3
20	101851	2		LOCK NUT M6	MUTTER SELBSTS.VERZ M6	DIN 985 ZELFBORGENDE MOER M6
21	110073	2		WASHER	UNTERLEGSCHIEBE	SLUITRING
22	703851	1		SCRAPER	ABSTREIFER	SCHRAPER
23	50678-100	1		ROLLER,30",CPL.	ROLLE,30",KPL.	STEUNROL,30",KPL.
24	703850	2		HUB	NABE	NAAF
25	110250	2		OIL SEAL	DICHTRING	KEERRING,OLIE
26	110255	2		BEARING CUP	KEGELLAGER-AUSSENRING	KEGELLAGER BUITENRING
27	110254	2		CONE	KONUS	CONUS
28	110256	2		O-RING	O-RING	O-RING
29	110253	4		OIL SEAL	DICHTRING	AFDICHTINGSRING,OLIE
30	110252	2		SLEEVE	MANCHETTE	MANCHET
31	110251	2		STOP NUT	VERSCHLUSSMUTTER	AFSLUITMOER
32	110248	4		SET SCREW,SQ,DIN479,M8X20-8.8-ZN	VIERKANTSCHRAUBE,DIN479,M8X20-8.8-ZN	VIERK.STELBOUT,BZK,DIN479,M8X20-8.8-ZN
33	110247	4		NUT,HEX,DIN934,M8-8-ZN	MUTTER,HEX,DIN934,M8-8-ZN	ZESK.MOER,DIN934,M8-8-ZN
34	110249	2		GREASE ZERK,DIN71412,M10X1-H1-180DEGREE	SCHMIERNIPPEL,DIN71412,M10X1-H1-180GRAD	SMEERNIPPEL,DIN71412,M10X1-H1-180GRADEN
35	110151	6		BOLT,RH,SQNECK,DIN603,M8X1.25X20-8.8-ZN	FLACHRUNDSCHRAUBE,DIN603,M8X20-8.8-ZN	SLOTBOUT,DIN603,M8X20-8.8-ZN
36	50678-208S	4		SKID,LEFT	GLEITKUFE,LINKS	GLIJSLOF,LINKS
36	50678-217S	1		SKID,LEFT	GLEITKUFE,LINKS	GLIJSLOF,LINKS
37	110214	6		WASHER DIN125A,M8-ZN	UNTERLEGSCHIEBE DIN125A,M8-ZN	SLUITRING DIN125A,M8-ZN
38	101852	6		LOCK NUT M8	MUTTER SELBSTS.VERZ M8	DIN 985 ZELFBORGENDE MOER M8
39	703882	1		COUNTERWEIGHT,FLAIL UNIT M3	GEGENGEWICHT,SCHLEGELAGGREGAT M3	CONTRAGEWICHT,KLEPELBAK M3
40	110193	2		BOLT,RH,SQNECK,DIN603,M10X40-8.8-ZN	FLACHRUNDSCHRAUBE,DIN603,M10X40-8.8-ZN	SLOTBOUT,DIN603,M10X40-8.8-ZN
41	102895	1		CIRCLIP EXTERNAL 30	SEEGERRING AUßEN 30MM	SEEGERRING AS 30
42	50678-207S	1		BEARING END COVER	LAGERENDDECKEL	LAGEREINDAFDEKKING

FLAIL UNITS | SCHLEGELUNITS | KLEPELUNITS

50679-111

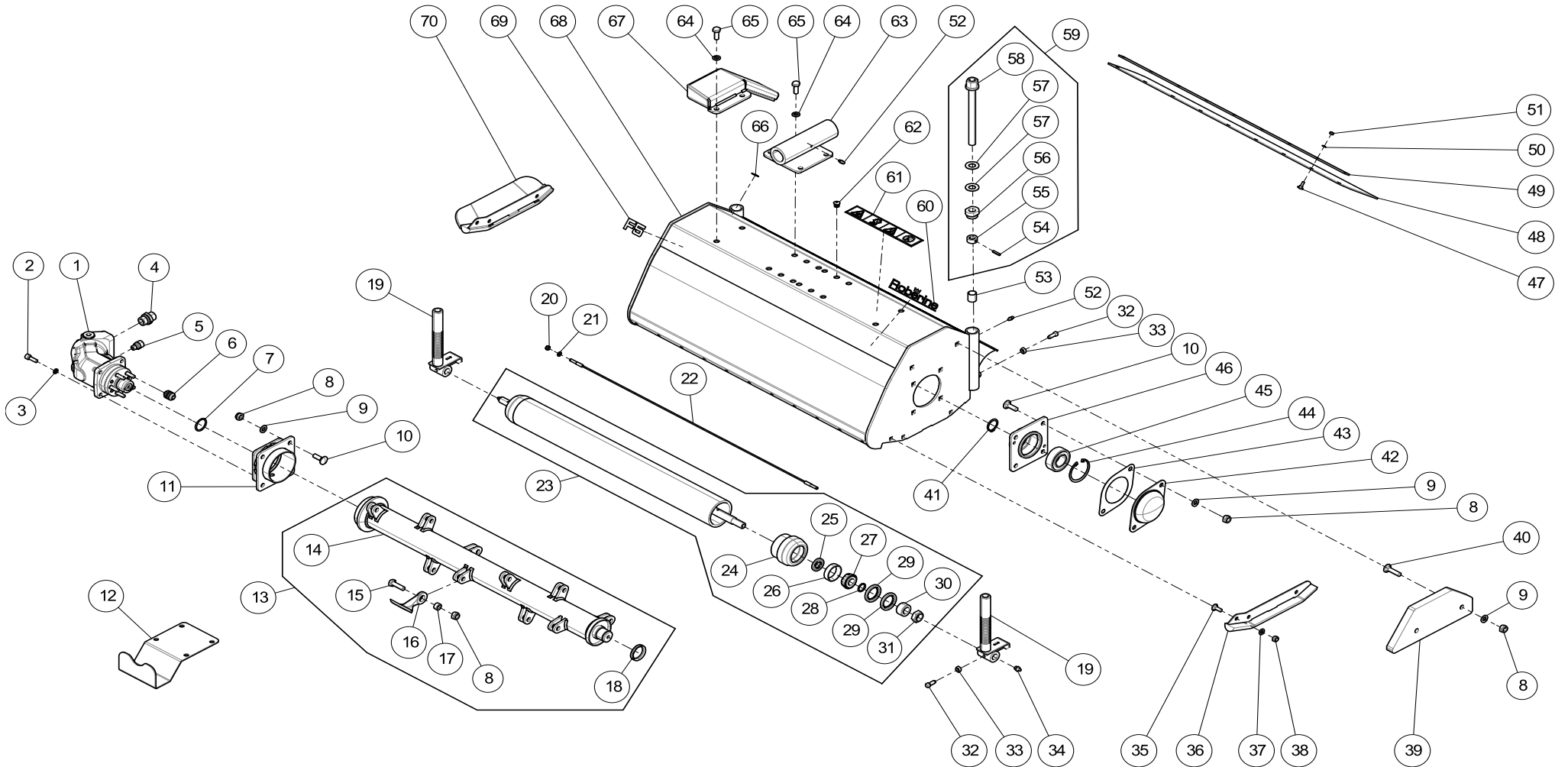
F5



FLAIL UNITS | SCHLEGELUNITS | KLEPELUNITS
50679-111
F5

KEY	PART NO.	QTY	SERIAL NO.	DESCRIPTION	BESCHREIBUNG	OMSCHRIJVING
43	703881	1		SEAL	DICHTUNG	PAKKING
44	102142	1		CIRCLIP INTERNAL 62	SEEGERRING INNEN 62MM	SEEGERRING HUIS 62
45	110282	1		BEARING	LAGER	LAGER
46	50678-206S	1		BEARING HOUSING	LAGERGEH?USE	LAGERHUIS
47	110273	9		BOLT,RH,SQNECK,DIN603,M5X16-8.8-ZN	FLACHRUNDSCHRAUBE,DIN603,M5X16-8.8-ZN	SLOTBOUT,DIN603,M5X16-8.8-ZN
48	703889	1		FLAP RUBBER	GUMMI FLAPPE	RUBBER FLAP
49	703886	1		STRIP, GUARD LEFT/RIGHT R3	LASCHE,SCHUTZ LINKS/RECHTS R3	STRIP,FLAP LINKS/RECHTS R3
50	110275	9		WASHER DIN125A,M5-ZN	UNTERLEGSCHIEBE DIN125A,M5-ZN	SLUITRING DIN125A,M5-ZN
51	110274	9		LOCKNUT,DIN985,M5-6-ZN	SKT.SICHERUNGSMUTTER,DIN985,M5-6-ZN	ZESK.BORGMOER,DIN985,M5-6-ZN
52	110233	3		GREASE ZERK,DIN71412,M6X1-H1-180DEGREE	SCHMIERNIPPEL,DIN71412,M6X1-H1-180GRAD	SMEERNIPPEL,DIN71412,M6X1-H1-180GRADEN
53	703829	2		BUSHING 20X1.5X21.5	BUECHSE 20X1.5X21.5	BUS 20X1.5X21.5
54	110236	2		SPRING PIN,5X22 DIN1481	SPANNSTIFT,5X22 DIN1481	SPANBUS,5X22 DIN1481
55	703824	2		RETAINING RING	STELLRING	OPSLUITRING,STELSCHROEF
56	703823	2		ADJUSTING NUT, HEIGHT ADJUSTER	EINSTELLMUTTER, HOHENVERSTELLUNG	STELRING VERSTELBOUT,HOOGTEVERST.
57	110235	4		DISC SPRING,DIN2093-A,31.5X16.3X1.75-ST	TELLERFEDER,DIN2093-A,31.5X16.3X1.75-ST	SCHOTELVEER,DIN2093-A,31.5X16.3X1.75-ST
58	703797	2		HEIGHT ADJUST SCREW,FLAIL UNIT	HOHENVERSTELLBOLZEN,SCHLEGELAGGREGAT	HOOGTEVERSTELBOUT M3,KLEPELBAK
59	50676-111	2		ADJUSTING SCREW,CPL FLAILM.	STELLSCHRAUBE,KPL	STELSCHROEF,KPL. KLEPELBAK
60	703883	1		DECAL "ROBERINE" 150X30	AUFKLEBER "ROBERINE" 150X30	STICKER "ROBERINE" 150X30
61	703884	1		DECAL,DANGER (CUTTING UNIT)	AUFKLEBER,GEFAHR (MAEHAGGREGAT)	STICKER,GEVAAR (SNIJMACHINES)
62	110283	10		STOPPER PLUG	STOPFEN	STOP
63	50678-219S	1		PIVOT CPL.	AUFH?NGUNG	OPHANGING KLEPELMAAIER KPL.
64	110198	6		WASHER,SPRING,DIN128,M10-ZN	FEDERRING,DIN128,M10-ZN	VEERRING,DIN128,M10-ZN
65	110070	6		SCREW,HEX	SKT.SCHRAUBE	ZESK.TAPBOUT
66	703885	2		DECAL,CUTTING HEIGHT ADJUSTEMENT	AUFKLEBER,SCHNITTHOEEINSTELLUNG	STICKER,MAAIHOOGTEINSTELLING
67	50678-214S	1		GUIDE,LEFT,FLAIL UNIT	FUEHRUNG,LINKS,SCHLEGELAGGREGAT	GELEIDING,LINKS,KLEPELSCNIJMACHINE

FLAIL UNITS | SCHLEGELUNITS | KLEPELUNITS
50679-111
F5



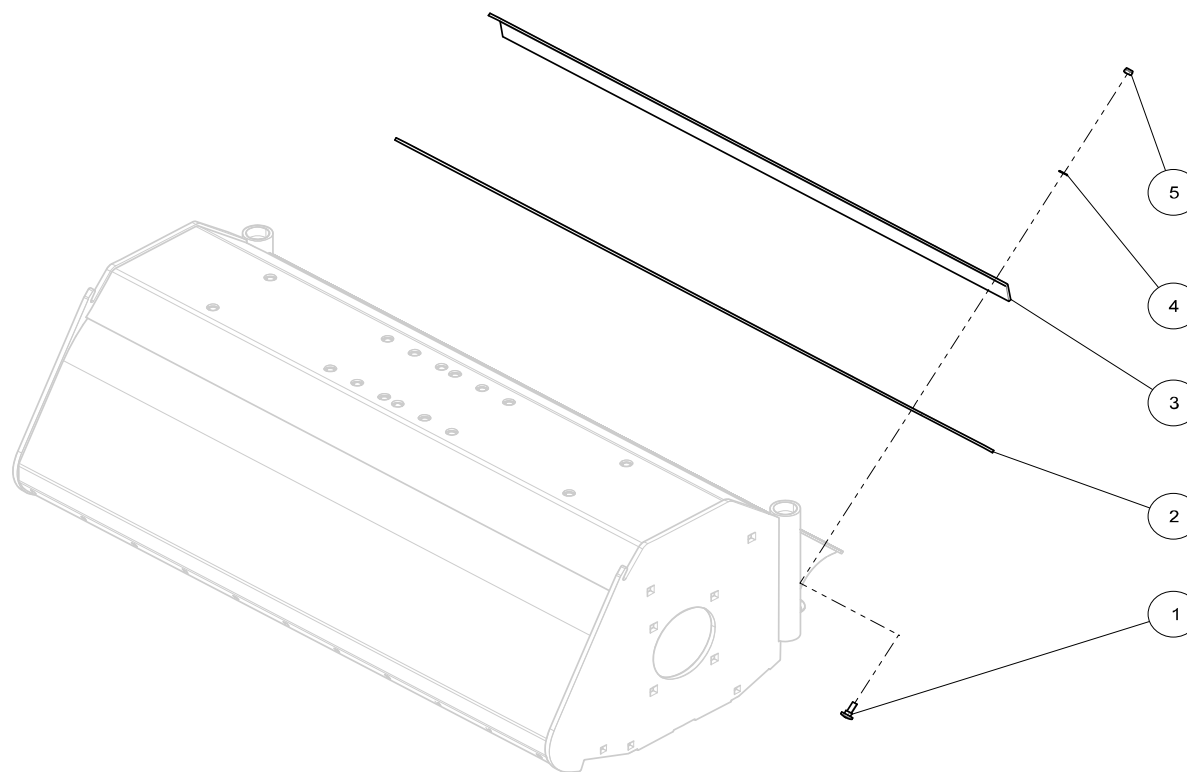
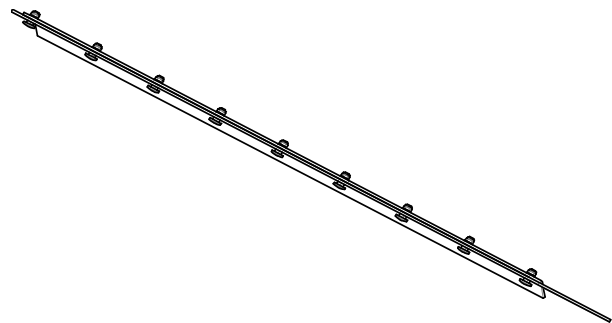
FLAIL UNITS | SCHLEGELUNITS | KLEPELUNITS
50679-111
F5

KEY	PART NO.	QTY	SERIAL NO.	DESCRIPTION	BESCHREIBUNG	OMSCHRIJVING
67	50678-218S	1		GUIDE,RIGHT,FLAIL UNIT	FUEHRUNG,RECHTS,SCHLEGELAGGREGAT	GELEIDING,RECHTS,KLEPELSCNIJMACHINE
68	50678-200	1		FRAME FLAIL MOWER,M3	RAHMEN SCHLEGELM?HER,M3	FRAME,KLEPELMAAIER,M3
69	703888	1		DECAL "F5"	AUFKLEBER "F5"	STICKER "F5"
70	50678-215S	4		SKID,RIGHT	GLEITKUFE,RECHTS	GLIJSLOF,RECHTS
70	50678-213S	1		SKID,RIGHT	GLEITKUFE,RECHTS	GLIJSLOF,RECHTS
	703890	1		GASKET	DICHTUNG	PAKKING
	50679-101	1		FLAIL UNIT,LEFT WING F5	SCHLEGELAGGREGAT,LINKS HINTEN F5	KLEPELSNIJMACHINE,LINKS ACHTER F5
	50679-103	1		FLAIL UNIT,CENTER F5	SCHLEGELAGGREGAT,MITTEN F5	KLEPELSNIJMACHINE,MIDDEN F5
	50679-105	1		FLAIL UNIT,RIGHT WING F5	SCHLEGELAGGREGAT,RECHTS HINTEN F5	KLEPELSNIJMACHINE,RECHTS ACHTER F5
	50679-107	1		FLAIL UNIT,LEFT FRONT F5	SCHLEGELAGGREGAT,LINKS VORNE F5	KLEPELSNIJMACHINE,LINKS VOOR F5
	50679-109	1		FLAIL UNIT,RIGHT FRONT F5	SCHLEGELAGGREGAT,RECHTS VORNE F5	KLEPELSNIJMACHINE,RECHTS VOOR F5

DEFLECTOR GUIDE FRONT | ABWEISFUEHRUNG VORNE | UITWORPGELEIDING VOORZIJDE

50702-120

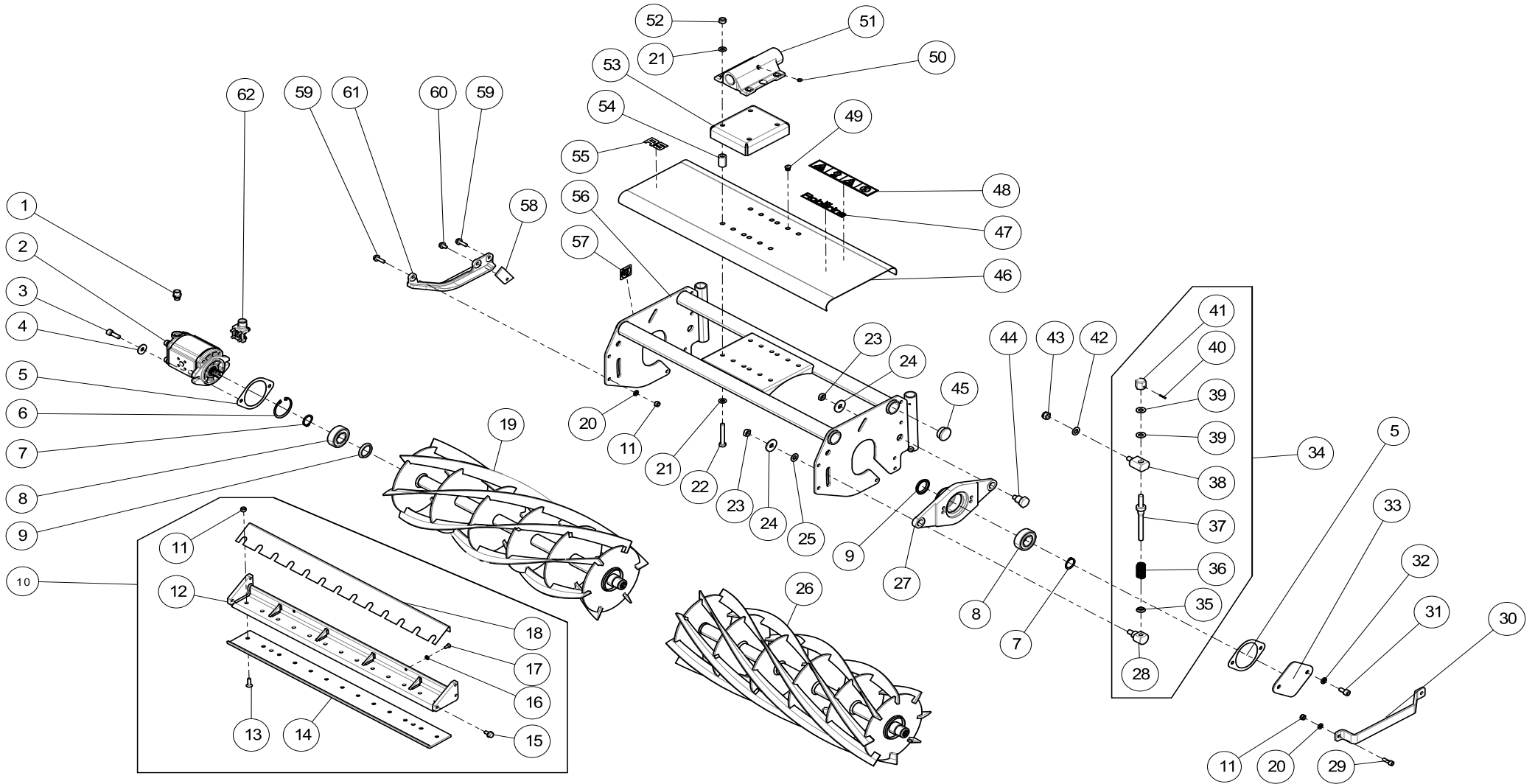
F5



DEFLECTOR GUIDE FRONT | ABWEISFUEHRUNG VORNE | UITWORPGELEIDING VOORZIJDE
50702-120
F5

KEY	PART NO.	QTY	SERIAL NO.	DESCRIPTION	BESCHREIBUNG	OMSCHRIJVING
1	110273	18		BOLT,RH,SQNECK,DIN603,M5X16-8.8-ZN	FLACHRUNDSCHRAUBE,DIN603,M5X16-8.8-ZN	SLOTBOUT,DIN603,M5X16-8.8-ZN
2	703889	2		FLAP RUBBER	GUMMI FLAPPE	RUBBER FLAP
3	704502	2		STRIP,DEFLECTOR GUIDE	STREIFEN,ABWEISFUEHRUNG	STRIP,UITWORPGELEIDING
4	110275	18		WASHER DIN125A,M5-ZN	UNTERLEGSCHIEBE DIN125A,M5-ZN	SLUITRING DIN125A,M5-ZN
5	110274	18		LOCKNUT,DIN985,M5-6-ZN	SKT.SICHERUNGSMUTTER,DIN985,M5-6-ZN	ZESK.BORGMOER,DIN985,M5-6-ZN

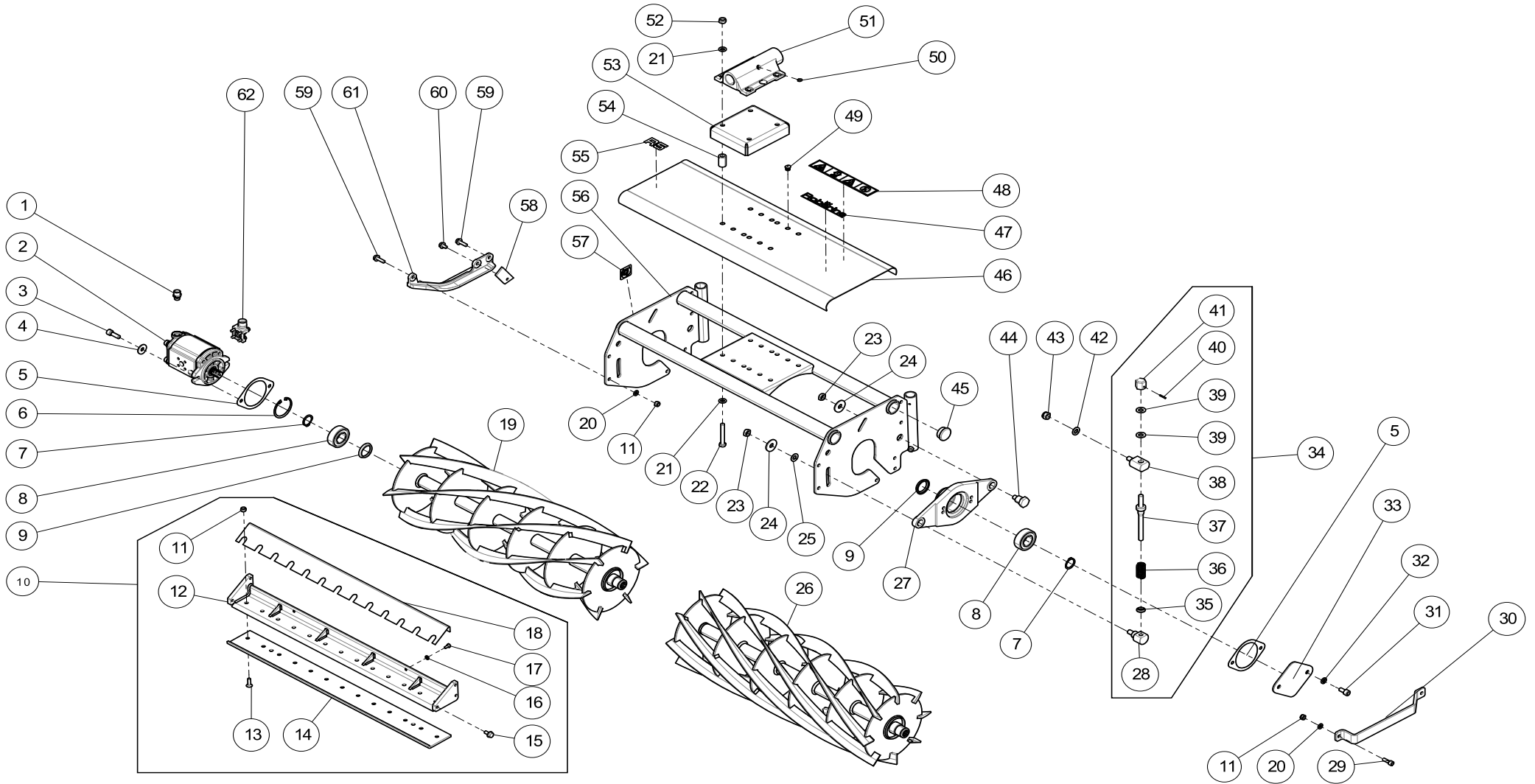
CYLINDER UNITS 10" | SPINDELUNITS 10" | KOOIUNITS 10"
 50682-100 + 50683-100
 R5



CYLINDER UNITS 10" | SPINDELUNITS 10" | KOOIUNITS 10"
50682-100 + 50683-100
R5

KEY	PART NO.	QTY	SERIAL NO.	DESCRIPTION	BESCHREIBUNG	OMSCHRIJVING
1	102642	1		MALE STUD ADAPTER 12L - UNF9/16"X18	GERADE EINSCHRAUB ADAPTER 12L - UNF9/16"	RECHTE INSCHROEFKOPPELING 12L - UNF 9/16
2	110318	1		MOWING MOTOR,MOWER REEL,FR5	MAEHMOTOR,MAEHERSPINDEL,FR5	MAAIMOTOR,SNIJCILINDER,FR5
2.1	110319	1		SEAL KIT,MOWING MOTOR	ABDICHTSATZ,MAEHMOTOR	PAKKINGSET,MAAIMOTOR
3	110311	2		SCREW,SOC,DIN912,M10X30-8.8-ZN	ZYL.SCHRAUBE,ISK,DIN912,M10X30-8.8-ZN	CIL.BOUT,BZK,DIN912,M10X30-8.8-ZN
4	110314	2		WASHER,DIN9021-M10-ZN	UNTERLEGSCHIEBE,DIN9021-M10-ZN	SLUITRING,DIN9021-M10-ZN
5	703949	2		GASKET	PAKKUNG	PAKKING
6	102142	1		CIRCLIP INTERNAL 62	SEEGERRING INNEN 62MM	SEEGERRING HUIS 62
7	102895	2		CIRCLIP EXTERNAL 30	SEEGERRING AUßEN 30MM	SEEGERRING AS 30
8	110282	2		BEARING	LAGER	LAGER
9	110281	2		V-RING	V-RING	V-RING
10	50681-133	1		STATIONARY KNIFE	GEGENSCHNEIDES	ONDERMES
11	101852	13		LOCK NUT M8	MUTTER SELBSTS.VERZ M8	DIN 985 ZELFBORGENDE MOER M8
12	50681-201	1		SUPPORT,STATIONARY KNIFE,75CM,REINFORCED	STUETZE,GEGENSCHNEIDE,75CM,VERSTARKT	ONDERMESBRUG,75CM,VERSTERKT
13	110307	13		SCREW,CTSK,DIN7991,M8X25-8.8-ZN	SCHRAUBE,SENK,ISK,DIN7991,M8X25-8.8-ZN	BOUT,VERZ,BZK,DIN7991,M8X25-8.8-ZN
14	703915	1		BOTTOM KNIFE 30"	UNTENMESSER 30"	ONDERMES 30"
15	110305	4		TENSILOCK BOLT,M8X16-90-ZN	TENSILOCKSCHRAUBE,M8X16-90-ZN	TENSILOCKBOUT,M8X16-90-ZN
16	110073	4		WASHER	UNTERLEGSCHIEBE	SLUITRING
17	110308	2		SCREW,HEX,DIN933,M6X12-8.8-ZN	SKT.SCHRAUBE,DIN933,M6X12-8.8-ZN	ZESK.TAPBOUT,DIN933,M6X12-8.8-ZN
18	703914	1		COVER	ABDECKUNG	AFDEKKING
19	50681-219	2		CUTTING CYLINDER,10",6BL,LEFT LEFT,R3	MAEHERSPINDEL,10",6BL,LINKS LINKS,R3	SNIJCILINDER,10",6BL,LINKS LINKS,R3
19	50681-229	3		CUTTING CYLINDER,10",6BL,R3	MAEHERSPINDEL,10",6BL,R3	SNIJCILINDER,10",6BL,R3
20	110214	3		WASHER DIN125A,M8-ZN	UNTERLEGSCHIEBE DIN125A,M8-ZN	SLUITRING DIN125A,M8-ZN
21	110200	8		WASHER DIN125A,M10-ZN	UNTERLEGSCHIEBE DIN125A,M10-ZN	SLUITRING DIN125A,M10-ZN
22	110309	4		SCREW,HEX,DIN931,M10X70-8.8-ZN	SKT.SCHRAUBE,DIN931,M10X70-8.8-ZN	ZESK.BOUT,DIN931,M10X70-8.8-ZN
23	110304	4		LOCKNUT M12 DIN980	SICHERUNGSMUTTER M12 DIN980	BORGMOER M12 DIN980

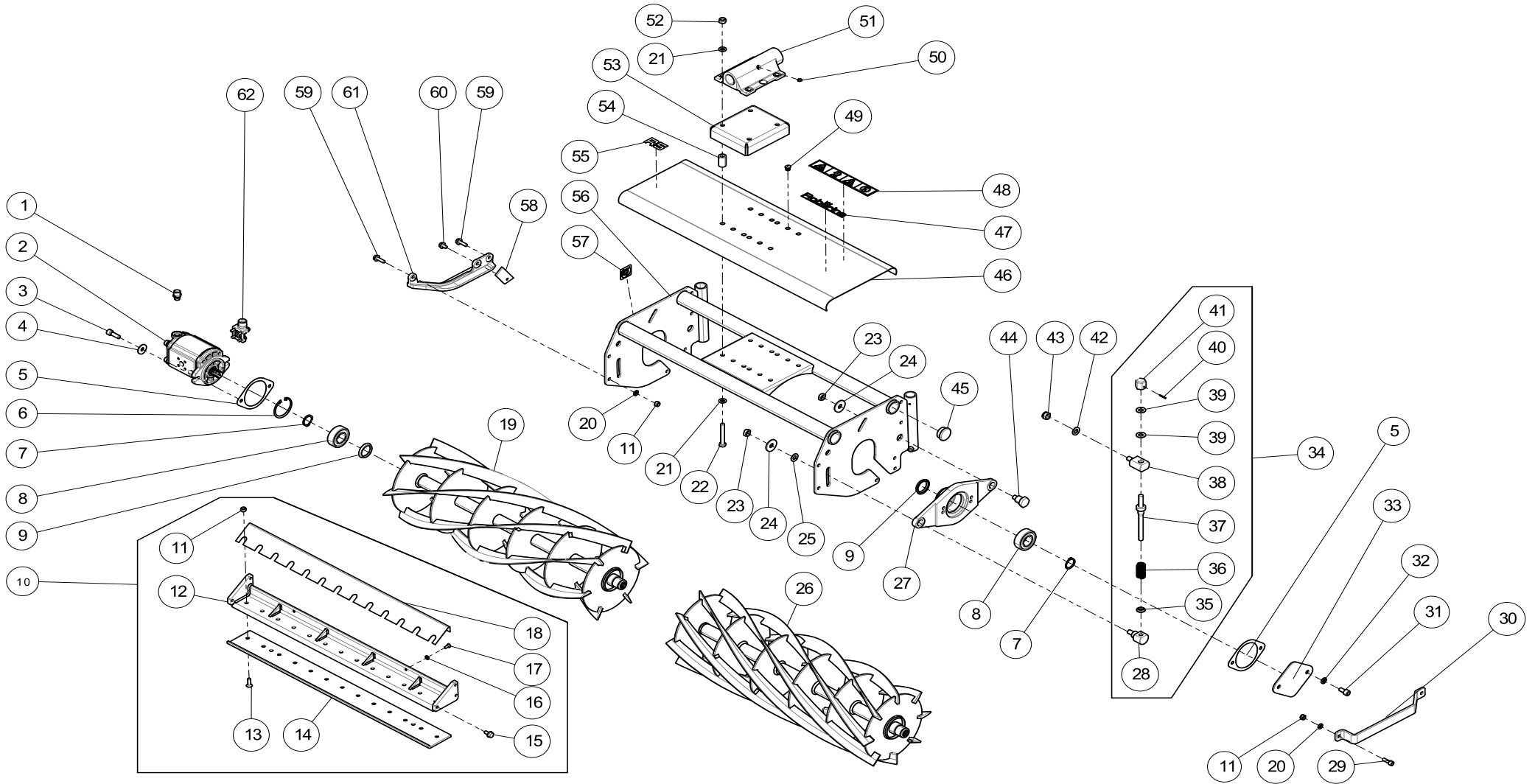
CYLINDER UNITS 10" | SPINDELUNITS 10" | KOOIUNITS 10"
 50682-100 + 50683-100
 R5



CYLINDER UNITS 10" | SPINDELUNITS 10" | KOOIUNITS 10"
50682-100 + 50683-100
R5

KEY	PART NO.	QTY	SERIAL NO.	DESCRIPTION	BESCHREIBUNG	OMSCHRIJVING
24	110315	4		WASHER,DIN9021-M12-ZN	UNTERLEGSCHIEBE,DIN9021-M12-ZN	SLUITRING,DIN9021-M12-ZN
25	703948	2		TEFLON WASHER	TELFONSCHEIBE	TEFLONSCHIJF
26	50681-245	5		MOWER REEL,10",RIGHT/CENTER,8 BLADE	MAEHERSPINDEL,10",RECHTS/MITTE,8 BLATT	SNIJCILINDER,10",RECHTS/MIDDEN,8 BLAD
27	703958	2		BEARING HOUSING,R3	LAGERGEHAEUSE,R3	LAGERHUIS,R3
28	703920	2		BOLT,KNIFE ADJUSTER,SPECIAL,R3	BOLZEN,MESSERVERSTELLUNG,SPECIAL,R3	BOUW,MESVERSTELLING,SPECIAAL,R3
29	110217	2		SCREW,SOC,DIN912,M8X25-8.8-ZN	ZYL.SCHRAUBE,ISK,DIN912,M8X25-8.8-ZN	CIL.BOUT,BZK,DIN912,M8X25-8.8-ZN
30	50681-208	4		BUFFER BAR	STOSSSTANGE	BOOMBESCHERMER
31	110310	2		SCREW,SOC,DIN912,M10X20-8.8-ZN	ZYL.SCHRAUBE,ISK,DIN912,M10X20-8.8-ZN	CIL.BOUT,BZK,DIN912,M10X20-8.8-ZN
32	110198	2		WASHER,SPRING,DIN128,M10-ZN	FEDERRING,DIN128,M10-ZN	VEERRING,DIN128,M10-ZN
33	50681-216	1		COVER PLATE,10" CENTER R3	ABDECKPLATTE,10" MITTE R3	AFDEKPLAAT,10" MIDDEN R3
34	50681-103	2		REEL ADJUSTER,CPL,R3	MESSERVERSTELLUNG,KPL,R3	MESVERSTELLING,KPL,R3
35	703919	1		RETAINER,KNIFE ADJUSTER,SPECIAL,R3	HALTER,MESSERVERSTELLUNG,SPECIAL,R3	STEUN,MESVERSTELLING,SPECIAAL,R3
36	703921	1		COMPRESSION SPRING,KNIFE ADJUSTER,R3	DRUCKFEDER,MESSERVERSTELLUNG,R3	DRUKVEER,MESVERSTELLING,R3
37	703918	1		STUD,KNIFE ADJUSTER,R3	STIFFTSCHRAUBE,MESSERVERSTELLUNG,R3	STELSCHROEF,MESVERSTELLING,R3
38	703917	1		BOLT,KNIFE ADJUSTER,SPECIAL,R3	BOLZEN,MESSERVERSTELLUNG,SPECIAL,R3	BOUW,MESVERSTELLING,SPECIAAL,R3
39	110316	2		DISC SPRING	TELLERFEDER	SCHOTELVEER
40	110317	1		SPRING PIN,3X22 DIN1481	SPANNSTIFT,3X22 DIN1481	SPANBUS,3X22 DIN1481
41	703922	1		NUT,KNIFE ADJUSTER,SPECIAL,R3	MUTTER,MESSERVERSTELLUNG,SPECIAL,R3	MOER,MESVERSTELLING,SPECIAAL,R3
42	110230	1		WASHER DIN125A,M12-ZN	UNTERLEGSCHIEBE DIN125A,M12-ZN	SLUITRING DIN125A,M12-ZN
43	101854	1		LOCK NUT M12	MUTTER SELBSTS.VERZ M12	DIN 985 ZELFBORGENDE MOER M12
44	703923	2		BOLT,SHAFT,SPECIAL,M3	BOLZEN,M3	ASBOUT,LAGERFLENS,SPECIEL,R3
45	110330	4		CAP	KAPPE	STOP
46	703945	1		COVER 778X264MM	ABDECKBLECH 778X264MM	AFDEKPLAAT 778X264MM
47	703883	1		DECAL "ROBERINE" 150X30	AUFKLEBER "ROBERINE" 150X30	STICKER "ROBERINE" 150X30
48	703884	1		DECAL,DANGER (CUTTING UNIT)	AUFKLEBER,GEFAHR (MAEHAGGREGAT)	STICKER,GEVAAR (SNIJMACHINES)

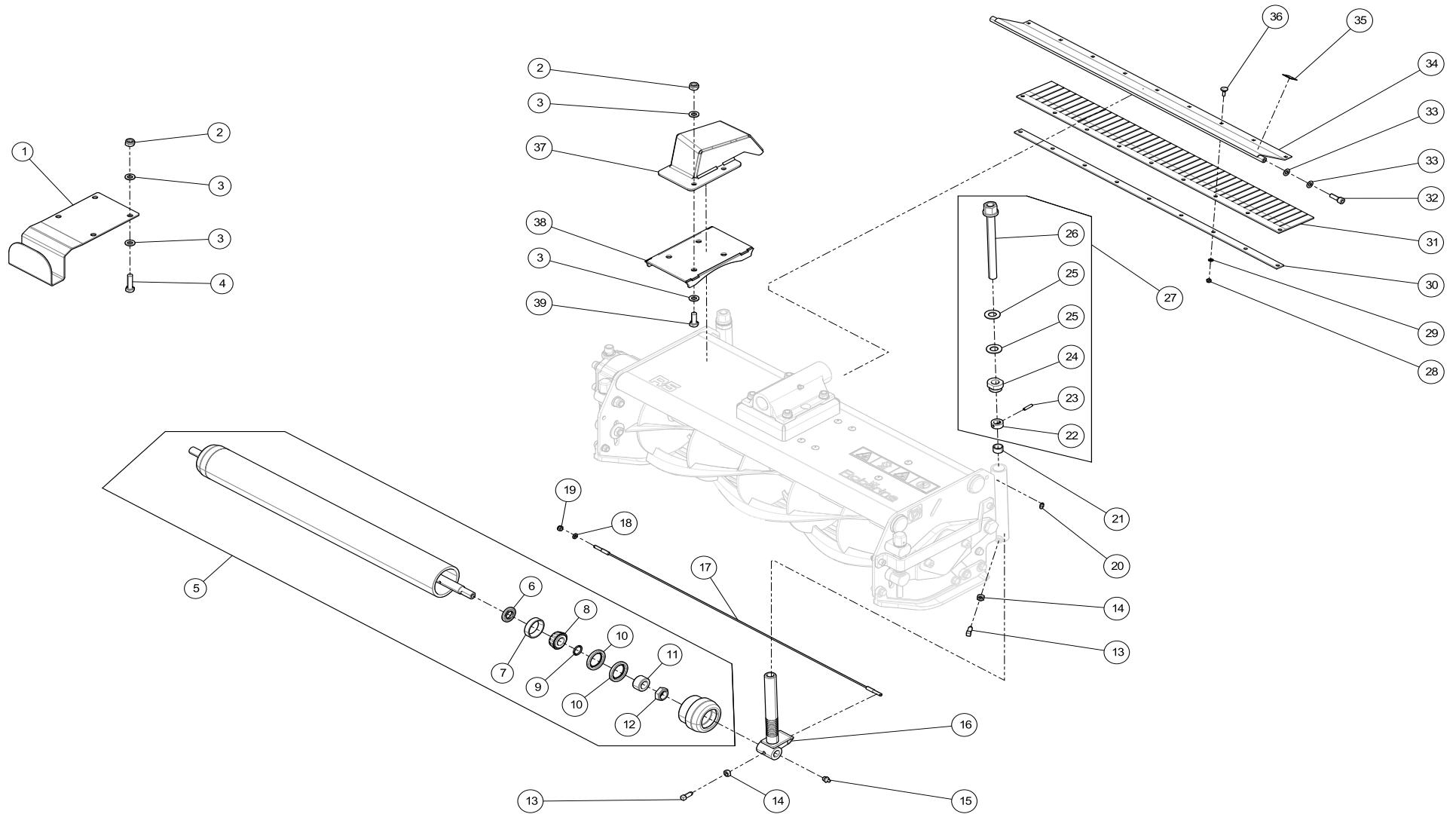
CYLINDER UNITS 10" | SPINDELUNITS 10" | KOOIUNITS 10"
 50682-100 + 50683-100
 R5



CYLINDER UNITS 10" | SPINDELUNITS 10" | KOOIUNITS 10"
50682-100 + 50683-100
R5

KEY	PART NO.	QTY	SERIAL NO.	DESCRIPTION	BESCHREIBUNG	OMSCHRIJVING
49	110283	6		STOPPER PLUG	STOPFEN	STOP
50	110233	3		GREASE ZERK,DIN71412,M6X1-H1-180DEGREE	SCHMIERNIPPEL,DIN71412,M6X1-H1-180GRAD	SMEERNIPPEL,DIN71412,M6X1-H1-180GRADEN
51	703952	1		PIVOT	AGGREGATAUFNAHME	AGGREGAATOPNAME
52	101853	4		LOCK NUT M10	MUTTER SELBSTS.VERZ M10	DIN 985 ZELFBORGENDE MOER M10
53	50681-218	1		SPACER PLATE,CUTTING UNIT R5	DISTANZBLECH,MAEHAGGREGAT R5	AFSTANDPLAAT,SNIJMACHINE R5
54	703926	1		SPACER	DISTANZBUECHSE	AFSTANDBUS
55	703925	1		DECAL "R5"	AUFKLEBER "R5"	STICKER "R5"
56	50681-204	1		FRAME,CUTTING UNIT	RAHMEN,MAEHUNIT	FRAME,SNIJMACHINE
57	703947	2		DECAL	AUFKLEBER	STICKER
58	50681-203	2		STRIP,R3	STREIFEN,R3	STRIP,R3
59	110313	4		TENSILOCK BOLT,M8X25-90-ZN	TENSILOCKSCHRAUBE,M8X25-90-ZN	TENSILOCKBOUT,M8X25-90-ZN
60	110312	2		TENSILOCK BOLT,M8X12-90-ZN	TENSILOCKSCHRAUBE,M8X12-90-ZN	TENSILOCKBOUT,M8X12-90-ZN
61	703955	2		RUNNER	SOHLE	SLEEPIJZER
61	50681-214	1		SKID,LEFT WING,R5	GLEITKUFE,LINKS HINTEN,R5	GLIJSLOF,LINKSACHTER,R5
61	50681-235	1		SKID,RIGHT WING,R5	GLEITKUFE,RECHTS HINTEN,R5	GLIJSLOF,RECHTSACHTER,R5
62	110331	1		FITTING,BFW15L/LK35OM	FITTING,BFW15L/LK35OM	NIPPEL,BFW15L/LK35OM

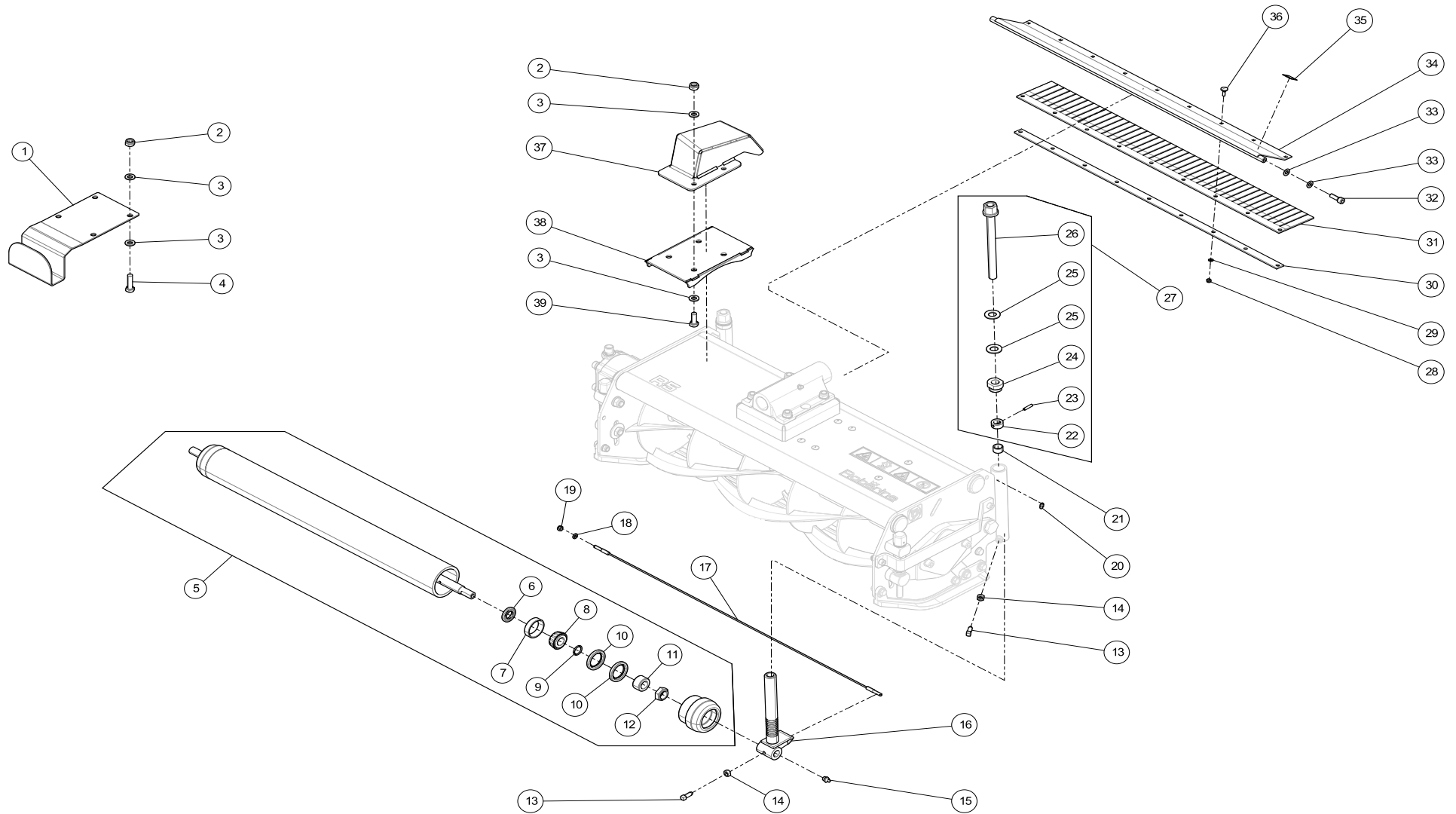
CYLINDER UNITS 10" | SPINDELUNITS 10" | KOOIUNITS 10"
 50682-100 + 50683-100
 R5



CYLINDER UNITS 10" | SPINDELUNITS 10" | KOOIUNITS 10"
50682-100 + 50683-100
R5

KEY	PART NO.	QTY	SERIAL NO.	DESCRIPTION	BESCHREIBUNG	OMSCHRIJVING
1	50681-227	1		GUIDE PLATE CENTER CUTTING UNIT R5	FUHRUNGSBLECH MAEHAGGREGAT MITTE R5	GELEIDEPLAAT SNIJMACHINE MIDDEN R5
2	101853	4		LOCK NUT M10	MUTTER SELBSTS.VERZ M10	DIN 985 ZELFBORGENDE MOER M10
3	110200	8		WASHER DIN125A,M10-ZN	UNTERLEGSCHIEBE DIN125A,M10-ZN	SLUITRING DIN125A,M10-ZN
4	110332	4		SCREW,HEX,DIN933,M10X35-8.8-ZN	SKT.SCHRAUBE,DIN933,M10X35-8.8-ZN	ZESK.TAPBOUT,DIN933,M10X35-8.8-ZN
5	50678-100	1		ROLLER,30",CPL.	ROLLE,30",KPL.	STEUNROL,30",KPL.
6	110250	2		OIL SEAL	DICHTRING	KEERRING,OLIE
7	110255	2		BEARING CUP	KEGELLAGER-AUSSENRING	KEGELLAGER BUITENRING
8	110254	2		CONE	KONUS	CONUS
9	110256	2		O-RING	O-RING	O-RING
10	110253	4		OIL SEAL	DICHTRING	AFDICHTINGSRING,OLIE
11	110252	2		SLEEVE	MANCHETTE	MANCHET
12	110251	2		STOP NUT	VERSCHLUSSMUTTER	AFSLUITMOER
13	110248	2		SET SCREW,SQ,DIN479,M8X20-8.8-ZN	VIERKANTSCHRAUBE,DIN479,M8X20-8.8-ZN	VIERK.STELBOUT,BZK,DIN479,M8X20-8.8-ZN
14	110247	2		NUT,HEX,DIN934,M8-8-ZN	MUTTER,HEX,DIN934,M8-8-ZN	ZESK.MOER,DIN934,M8-8-ZN
15	110249	2		GREASE ZERK,DIN71412,M10X1-H1-180DEGREE	SCHMIERNIPPEL,DIN71412,M10X1-H1-180GRAD	SMEERNIPPEL,DIN71412,M10X1-H1-180GRADEN
16	50681-202	2		ADJUSTER,R3	VERSTELLVORRICHTING,R3	HOOGTEVERSTELLER,R3
17	703851	1		SCRAPER	ABSTREIFER	SCHRAPER
18	110073	2		WASHER	UNTERLEGSCHIEBE	SLUITRING
19	101851	2		LOCK NUT M6	MUTTER SELBSTS.VERZ M6	DIN 985 ZELFBORGENDE MOER M6
20	110233	2		GREASE ZERK,DIN71412,M6X1-H1-180DEGREE	SCHMIERNIPPEL,DIN71412,M6X1-H1-180GRAD	SMEERNIPPEL,DIN71412,M6X1-H1-180GRADEN
21	703916	2		BUSHING,ADJUSTER,10"	BUECHSE,EINSTELLER,10"	BUS,VERSTELLER,10"
22	703824	2		RETAINING RING	STELLRING	OPSLUITRING,STELSCHROEF
23	110236	2		SPRING PIN,5X22 DIN1481	SPANNSTIFT,5X22 DIN1481	SPANBUS,5X22 DIN1481
24	703823	2		ADJUSTING NUT, HEIGHT ADJUSTER	EINSTELLMUTTER, HOHENVERSTELLUNG	STELRING VERSTELBOUT,HOOGTEVERST.
25	110235	4		DISC SPRING,DIN2093-A,31.5X16.3X1.75-ST	TELLERFEDER,DIN2093-A,31.5X16.3X1.75-ST	SCHOTELVEER,DIN2093-A,31.5X16.3X1.75-ST

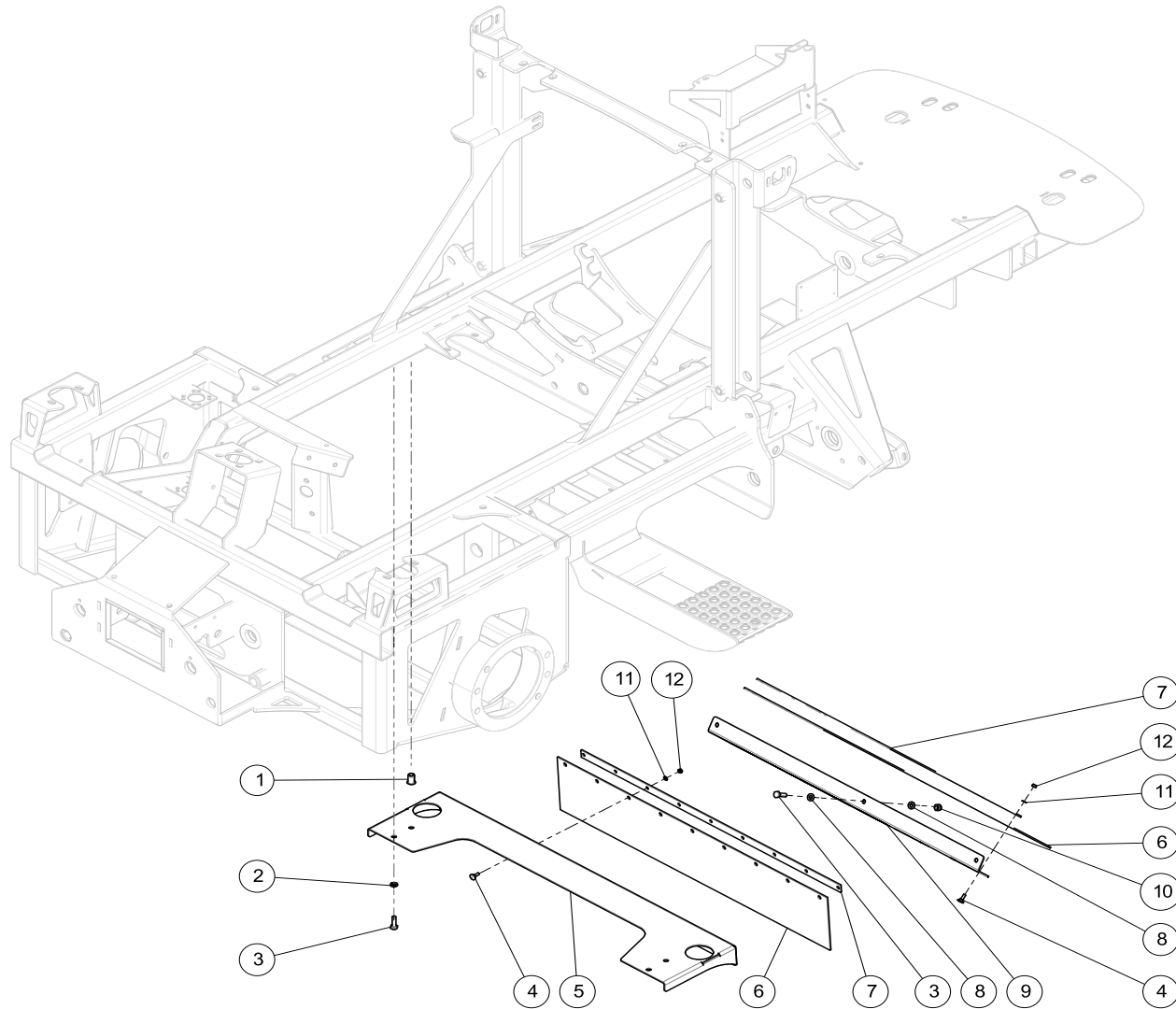
CYLINDER UNITS 10" | SPINDELUNITS 10" | KOOIUNITS 10"
 50682-100 + 50683-100
 R5



CYLINDER UNITS 10" | SPINDELUNITS 10" | KOOIUNITS 10"
50682-100 + 50683-100
R5

KEY	PART NO.	QTY	SERIAL NO.	DESCRIPTION	BESCHREIBUNG	OMSCHRIJVING
26	703797	2		HEIGHT ADJUST SCREW,FLAIL UNIT	HOHENVERSTELLBOLZEN,SCHLEGELAGGREGAT	HOOGTEVERSTELBOUT M3,KLEPELBAK
27	50676-111	2		ADJUSTING SCREW,CPL FLAILM.	STELLSCHRAUBE,KPL	STELSCHROEF,KPL. KLEPELBAK
28	110274	9		LOCKNUT,DIN985,M5-6-ZN	SKT.SICHERUNGSMUTTER,DIN985,M5-6-ZN	ZESK.BORGMOER,DIN985,M5-6-ZN
29	110275	9		WASHER DIN125A,M5-ZN	UNTERLEGSCHIEBE DIN125A,M5-ZN	SLUITRING DIN125A,M5-ZN
30	703886	1		STRIP,GUARD LEFT/RIGHT R3	LASCHE,SCHUTZ LINKS/RECHTS R3	STRIP,FLAP LINKS/RECHTS R3
31	703924	1		RUBBER FLAP FRONT,R3	SCHUTZGUMMI VORNE,R3	RUBBER FLAP VOORZIJDDE,R3
32	110217	2		SCREW,SOC,DIN912,M8X25-8.8-ZN	ZYL.SCHRAUBE,ISK,DIN912,M8X25-8.8-ZN	CIL.BOUT,BZK,DIN912,M8X25-8.8-ZN
33	110306	4		DISC SPRING	TELLERFEDER	SCHOTELVEER
34	50681-205	1		DEFLECTOR	ABWEISER	GRASKEERPLAAT
35	703946	2		DECAL	AUFKLEBER	STICKER
36	110273	9		BOLT,RH,SQNECK,DIN603,M5X16-8.8-ZN	FLACHRUNDSCHRAUBE,DIN603,M5X16-8.8-ZN	SLOTBOUT,DIN603,M5X16-8.8-ZN
37	50681-210	1		GUIDE,LEFT R5	FUEHRUNG,LINKS R5	GELEIDING,LINKS R5
37	50681-233	1		GUIDE,RIGHT R5	FUEHRUNG,RECHTS R5	GELEIDING,RECHTS R5
38	50681-212	1		REINFORCEMENT,SIDE UNITS REELS FR5	VERSTAERKUNG,SEITENMAHUNIT FR5	VERSTERKINGSPLAAT,ZIJKOOIEN FR5
39	110070	2		SCREW,HEX	SKT.SCHRAUBE	ZESK.TAPBOUT
	50681-100			CUTTING UNIT,10",6BL,LEFT WING R5	MAEHAGGREGAT,10",6BL,LINKS HINTEN R5	SNIJMACHINE,10",6BL,LINKS ACHTER R5
	50681-105			CUTTING UNIT,10",6BL,CENTER R5	MAEHAGGREGAT,10",6BL,MITTE R5	SNIJMACHINE,10",6BL,MIDDEN R5
	50681-106			CUTTING UNIT,10",6BL,RIGHT WING R5	MAEHAGGREGAT,10",6BL,RECHTS HINTEN R5	SNIJMACHINE,10",6BL,RECHTS ACHTER R5
	50681-108			CUTTING UNIT,10",6BL,LEFT FRONT R5	MAEHAGGREGAT,10",6BL,LINKS VORNE R5	SNIJMACHINE,10",6BL,LINKS VOOR R5
	50681-110			CUTTING UNIT,10",6BL,RIGHT FRONT R5	MAEHAGGREGAT,10",6BL,RECHTS VORNE R5	SNIJMACHINE,10",6BL,RECHTS VOOR R5
	50681-112			CUTTING UNIT,10",8BL,LEFT WING R5	MAEHAGGREGAT,10",8BL,LINKS HINTEN R5	SNIJMACHINE,10",8BL,LINKS ACHTER R5
	50681-114			CUTTING UNIT,10",8BL,CENTER R5	MAEHAGGREGAT,10",8BL,MITTE R5	SNIJMACHINE,10",8BL,MIDDEN R5
	50681-116			CUTTING UNIT,10",8BL,RIGHT WING R5	MAEHAGGREGAT,10",8BL,RECHTS HINTEN R5	SNIJMACHINE,10",8BL,RECHTS ACHTER R5
	50681-118			CUTTING UNIT,10",8BL,LEFT FRONT R5	MAEHAGGREGAT,10",8BL,LINKS VORNE R5	SNIJMACHINE,10",8BL,LINKS VOOR R5
	50681-120			CUTTING UNIT,10",8BL,RIGHT FRONT R5	MAEHAGGREGAT,10",8BL,RECHTS VORNE R5	SNIJMACHINE,10",8BL,RECHTS VOOR R5

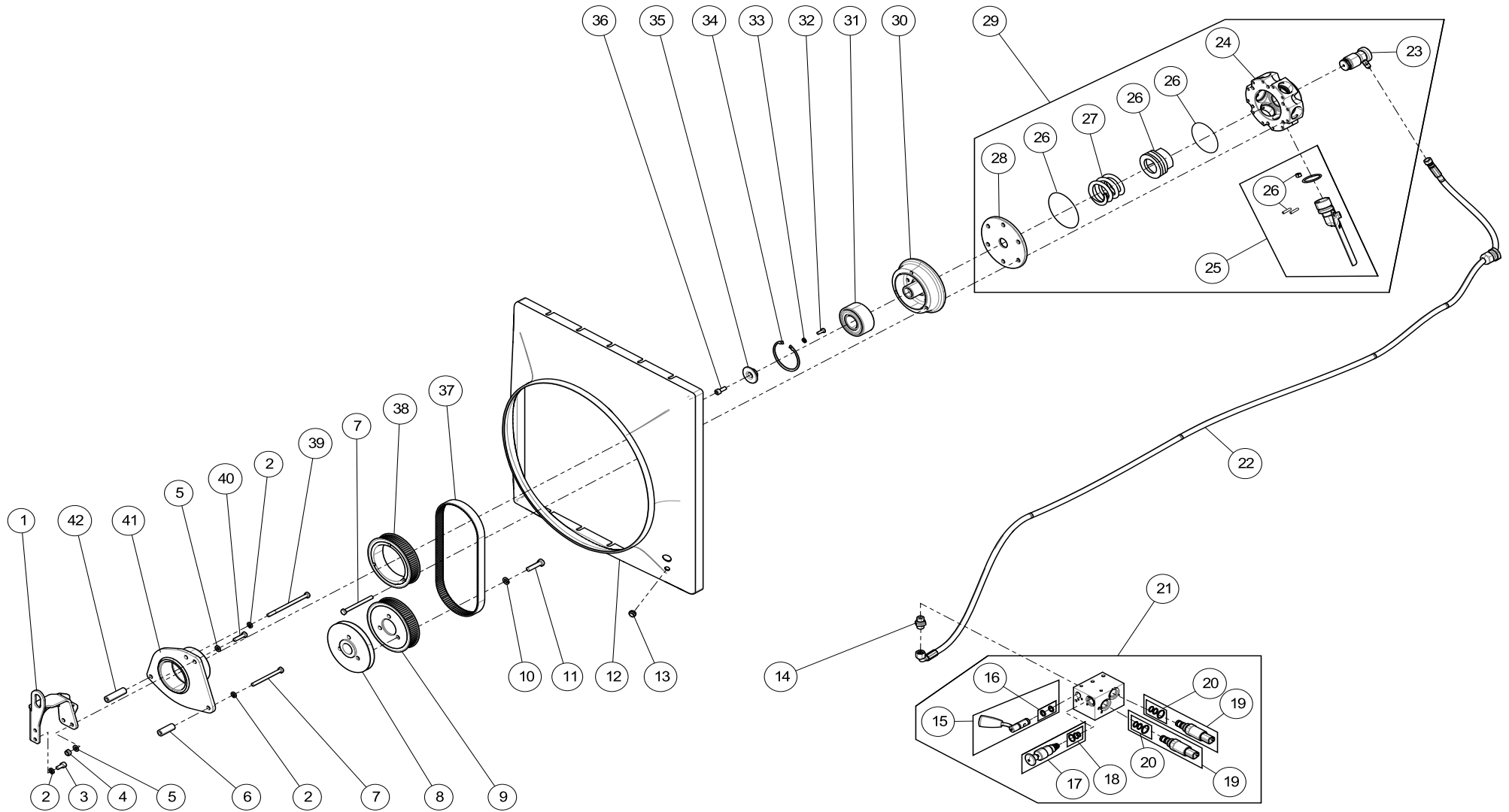
CYLINDER UNITS 10" | SPINDELUNITS 10" | KOOIUNITS 10"
50682-100 + 50683-100
R5



CYLINDER UNITS 10" | SPINDELUNITS 10" | KOOIUNITS 10"
50682-100 + 50683-100
R5

KEY	PART NO.	QTY	SERIAL NO.	DESCRIPTION	BESCHREIBUNG	OMSCHRIJVING
1	110504	2		BLIND RIVET NUT,ALS3T-8125-3.8-7.9MM	BLINDNIETMUTTER,ALS3T-8125-3.8-7.9MM	BLINDKLINKMOER,ALS3T-8125-3.8-7.9MM
2	110197	2		WASHER,SPRING,DIN128,M8-ZN	FEDERING,DIN128,M8-ZN	VEERRING,DIN128,M8-ZN
3	110227	5		SCREW,HEX,DIN933,M8X25-8.8-ZN	SKT.SCHRAUBE,DIN933,M8X25-8.8-ZN	ZESK.TAPBOUT,DIN933,M8X25-8.8-ZN
4	110273	18		BOLT,RH,SQNECK,DIN603,M5X16-8.8-ZN	FLACHRUNDSCHRAUBE,DIN603,M5X16-8.8-ZN	SLOTBOUT,DIN603,M5X16-8.8-ZN
5	50681-243	1		DEFLECTOR, TOP	ABWEISER, OBEN	DEFLECTOR, BOVEN
6	703889	2		FLAP RUBBER	GUMMI FLAPPE	RUBBER FLAP
7	703886	1		STRIP, GUARD LEFT/RIGHT R3	LASCHE, SCHUTZ LINKS/RECHTS R3	STRIP, FLAP LINKS/RECHTS R3
8	110214	10		WASHER DIN125A, M8-ZN	UNTERLEGSCHIEBE DIN125A, M8-ZN	SLUITRING DIN125A, M8-ZN
9	50681-241	1		DEFLECTOR, BOTTOM	ABWEISER, UNTEN	DEFLECTOR, ONDER
10	101852	5		LOCK NUT M8	MUTTER SELBSTS. VERZ M8	DIN 985 ZELFBORGENDE MOER M8
11	110275	18		WASHER DIN125A, M5-ZN	UNTERLEGSCHIEBE DIN125A, M5-ZN	SLUITRING DIN125A, M5-ZN
12	110274	18		LOCKNUT, DIN985, M5-6-ZN	SKT. SICHERUNGSMUTTER, DIN985, M5-6-ZN	ZESK. BORGMOER, DIN985, M5-6-ZN

REVERSIBLE FAN | REVERSIERBARE LUEFTER | OMKEERBARE VENTILATOR
50705-112
F5/R5



REVERSIBLE FAN | REVERSIERBARE LUEFTER | OMKEERBARE VENTILATOR
50705-112
F5/R5

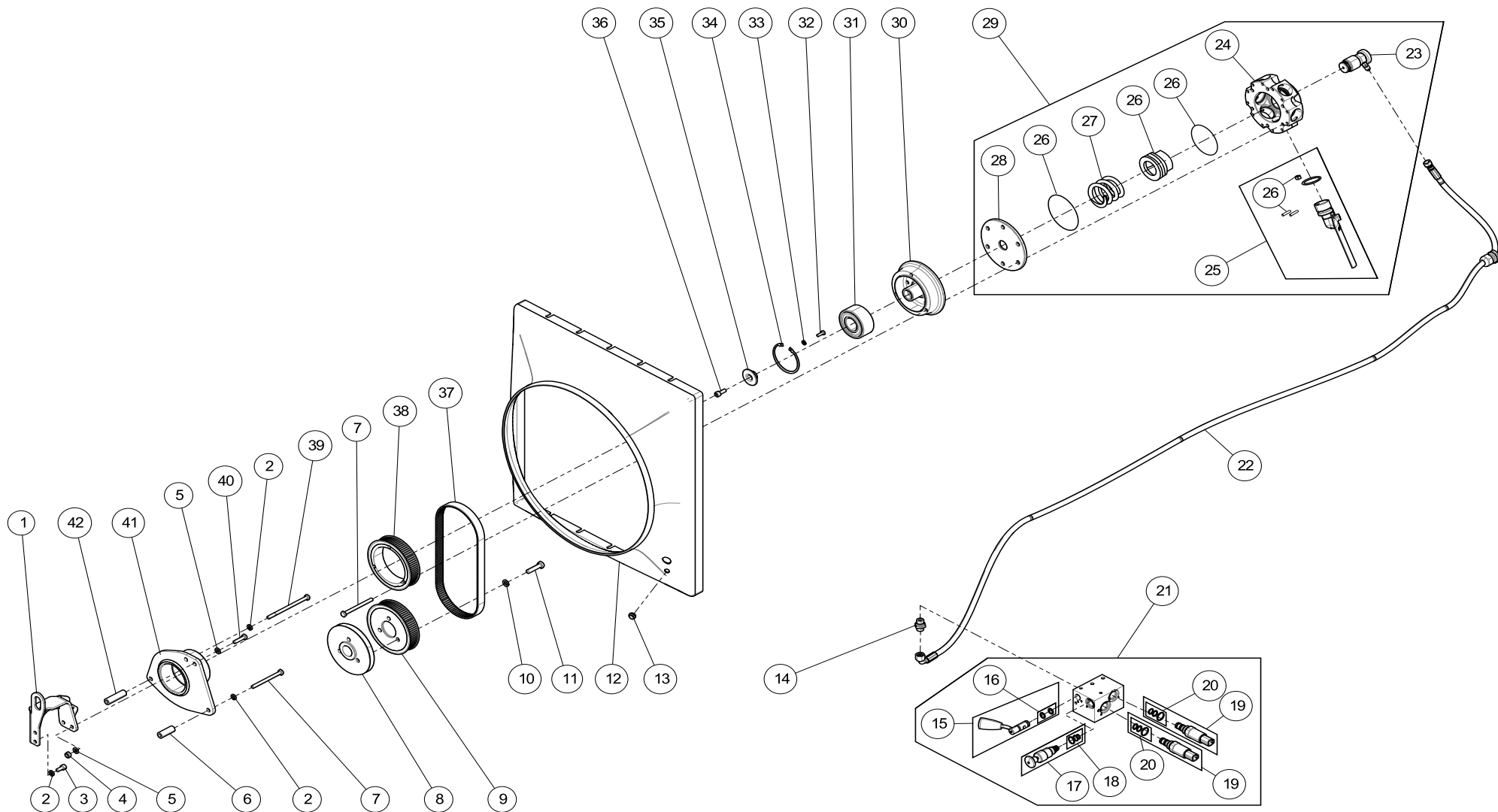
KEY	PART NO.	QTY	SERIAL NO.	DESCRIPTION	BESCHREIBUNG	OMSCHRIJVING
1	50705-208	1		BRACKET, REVERSIBLE FAN	HALTER, REVERSIERBARE LUEFTER	HOUDER, OMKEERBARE VENTILATOR
2	110197	4		WASHER, SPRING, DIN128, M8-ZN	FEDERRING, DIN128, M8-ZN	VEERRING, DIN128, M8-ZN
3	111014	2		SCREW, SOC, DIN912, M8X16-8.8-ZN	ZYL. SCHRAUBE, ISK, DIN912, M8X16-8.8-ZN	CIL. BOUT, BZK, DIN912, M8X16-8.8-ZN
4	101852	3		LOCK NUT M8	MUTTER SELBSTS. VERZ M8	DIN 985 ZELFBORGENDE MOER M8
5	110214	10		WASHER DIN125A, M8-ZN	UNTERLEGSCHIEBE DIN125A, M8-ZN	SLUITRING DIN125A, M8-ZN
6	704306	1		BUSHING	BUECHSE	BUS
7	111015	4		SCREW, HEX, DIN931, M8X90-8.8-ZN	SKT. SCHRAUBE, DIN931, M8X90-8.8-ZN	ZESK. BOUT, DIN931, M8X90-8.8-ZN
8	111030	1		PULLEY, REVERSIBLE FAN FR5	KEILRIEMENSCHIEBE, REVERSIERBARER LUEFTER	POELIE, OMKEERBARE VENTILATOR FR5
9	111027	1		PULLEY, TOOTHED, ENGINE FR5	KEILRIEMENSCHIEBE, GEZAHNED, MOTOR FR5	POELIE, GETAND, MOTOR FR5
10	100774	3		NORD-LOCK M10	NORD-LOCK M10	NORD-LOCK M10
11	110495	3		SCREW, HEX, DIN933, M10X40-8.8-ZN	SKT. SCHRAUBE, DIN933, M10X40-8.8-ZN	ZESK. TAPBOUT, DIN933, M10X40-8.8-ZN
12	704303	1		SHROUD, REVERSIBLE FAN FR5	KUHLERHUTZE, REVERSIERBARE LUEFTER FR5	KOELERTUNNEL, OMKEERBARE VENTILATOR FR5
13	111031	1		GROMMET	TULLE	TULE
14	0081.1528	1		FITTING, GE10LR3/8EDOMDCF	VERSCHRAUBUNG, GE10LR3/8EDOMDCF	NIPPEL, GE10LR3/8EDOMDCF
15	110842	1		PRESSURE RELIEF VALVE	DRUECKBEGRENZUNGSVENTIL	DRUKBEGRENZINGSVENTIEL
16	110843	1		SEAL KIT	DICHTUNGSSATZ	AFDICHTSET
17	110837	1		SWITCH, PRESSURE	SCHALTER, DRUECK	SCHAKELAAR, DRUK
18	110838	1		SEAL KIT, PRESSURE SWITCH	ABDICHTUNGSSATZ, DRUECKSCHALTER	PAKKINGSET, DRUKSCHAKELAAR
19	110845	2		PRESSURE RELIEF VALVE	DRUECKBEGRENZUNGSVENTIL	DRUKBEGRENZINGSVENTIEL
20	110836	1		SEAL KIT, PRESSURE RELIEF VALVE	ABDICHTUNGSSATZ, UBERDRUCKVENTIL	PAKKINGSET, OVERDRUKVENTIEL
21	704309	1		VALVE, FAN, BRAKE, TOW	VENTIL, VENTILATOR, BREMSEN, SCHLEPPEN	VENTIELBLOK, VENTIATOR, REMMEN, AFSLEPEN
22	704308	1		HOSE LINE	SCHLAUCHLEITUNG	HYDROSLANG
23	111018	1		KIT, ROTARY UNION, REVERSIBLE FAN FR5	SATZ, DREHDURCHFUHRUNG, LUEFTER FR5	SET, DRAAIDOORVOER, FAN OMKEERBAAR FR5
24	111019	1		HUB, REVERSIBLE FAN	KUPPLUNGSNABE, LUEFTER	KOPPELINGSNAAF, VENTILATOR, OMKEERBAAR
25	111020	4		KIT, BLADE, REVERSIBLE FAN FR5	SATZ, LUEFTERFLUEGEL FR5	SET, VENTILATORBLADEN, OMKEERBAAR FR5

* INCLUDES ALL HARDWARE TO INSTALL TWO BLADES 180 DEGREES APART.

REVERSIBLE FAN | REVERSIERBARE LUEFTER | OMKEERBARE VENTILATOR

50705-112

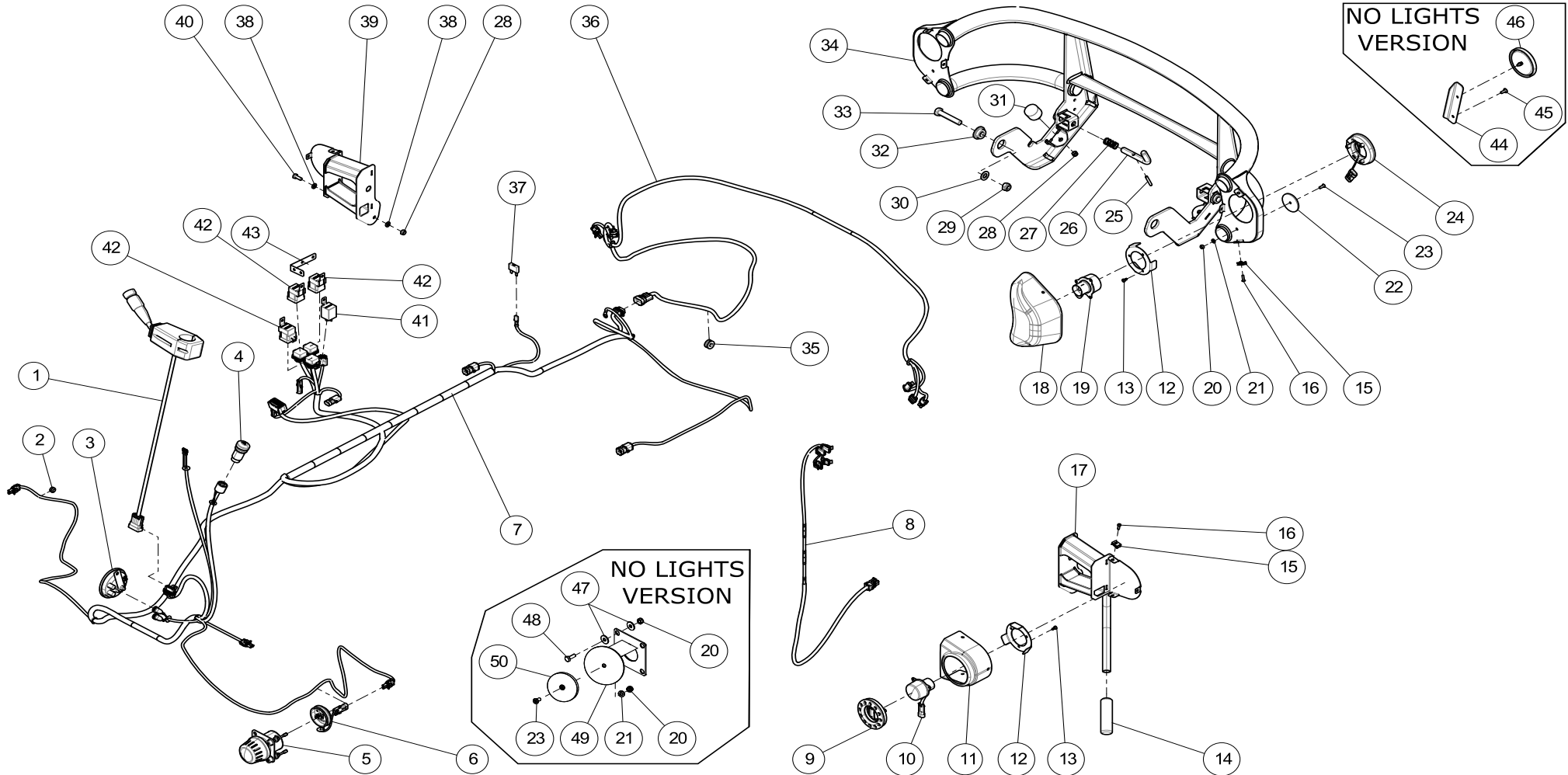
F5/R5



REVERSIBLE FAN | REVERSIERBARE LUEFTER | OMKEERBARE VENTILATOR
50705-112
F5/R5

KEY	PART NO.	QTY	SERIAL NO.	DESCRIPTION	BESCHREIBUNG	OMSCHRIJVING
26	111021	1		KIT,SERVICE,REVERSIBLE FAN FR5	SATZ,SERVICE,LUEFTER FR5	SET,SERVICE,VENTILATOR,OMKEERBAAR FR5
27	111022	1		SPRING,REVERSIBLE FAN	FEDER,LUEFTER	VEER,VENTILATOR,OMKEERBAAR
28	111023	1		PLATE REAR,REVERSIBLE FAN	PLATTE HINTEN,LUEFTER	ACHTERPLAAT,VENTILATOR,OMKEERBAAR
29	111017	1		FAN,REVERSIBLE,FR5	LUEFTER,REVERSIERBAR,FR5	VENTILATOR,OMKEERBAAR,FR5
30	704305	1		BUSHING,TENSIONER SOCKET FR5	BUECHSE,FEDERHALTER FR5	BUS,VEERHOUDER FR5
31	111025	1		BEARING ANGULAR,DOUBLE ROW	LAGER ANGULAR,DOUBLE ROW	LAGER ANGULAR,DOUBLE ROW
32	110516	4		SCREW,HEX,DIN933,M6X16-8.8-ZN	SKT.SCHRAUBE,DIN933,M6X16-8.8-ZN	ZESK.TAPBOUT,DIN933,M6X16-8.8-ZN
33	110848	4		LOCKWASHER,DIN128,A6MM ZN	FEDERRING,DIN128,A6MM ZN	VEERRING,DIN128,A6MM ZN
34	101187	1		CIRCLIP INTERNAL 80	SEEGERRING INNEN 80 MM	SEEGERRING HUIS 80
35	704304	1		BUSHING,REVERSIBLE FAN FR5	BUECHSE,REVERSIERBARE LUEFTER FR5	BUS,OMKEERBARE VENTILATOR FR5
36	110376	1		SCREW,SOC,DIN912,M8X1.25X20-8.8-ZN	ZYL.SCHRAUBE,ISK,DIN912,M8X20-8.8-ZN	CIL.BOUT,BZK,DIN912,M8X20-8.8-ZN
37	111029	1		TOOTHED BELT	ZAHNRIEMEN	TANDRIEM
38	111024	1		PULLEY,TOOTHED, FAN FR5	KEILRIEMENSCHIEBE,GEZAHNED,LUEFTER FR5	POELIE,GETAND,VENTILATOR FR5
39	111016	1		SCREW,HEX,DIN931,M8X125-8.8-ZN	SKT.SCHRAUBE,DIN931,M8X125-8.8-ZN	ZESK.BOUT,DIN931,M8X125-8.8-ZN
40	110878	3		SCREW,HEX,DIN933,M8X30-8.8-ZN	SKT.SCHRAUBE,DIN933,M8X30-8.8-ZN	ZESK.TAPBOUT,DIN933,M8X30-8.8-ZN
41	50705-207	1		FAN MOUNT	VENTILATORSTUETZE	VENTILATORSTEUN
42	704307	1		BUSHING	BUECHSE	BUS

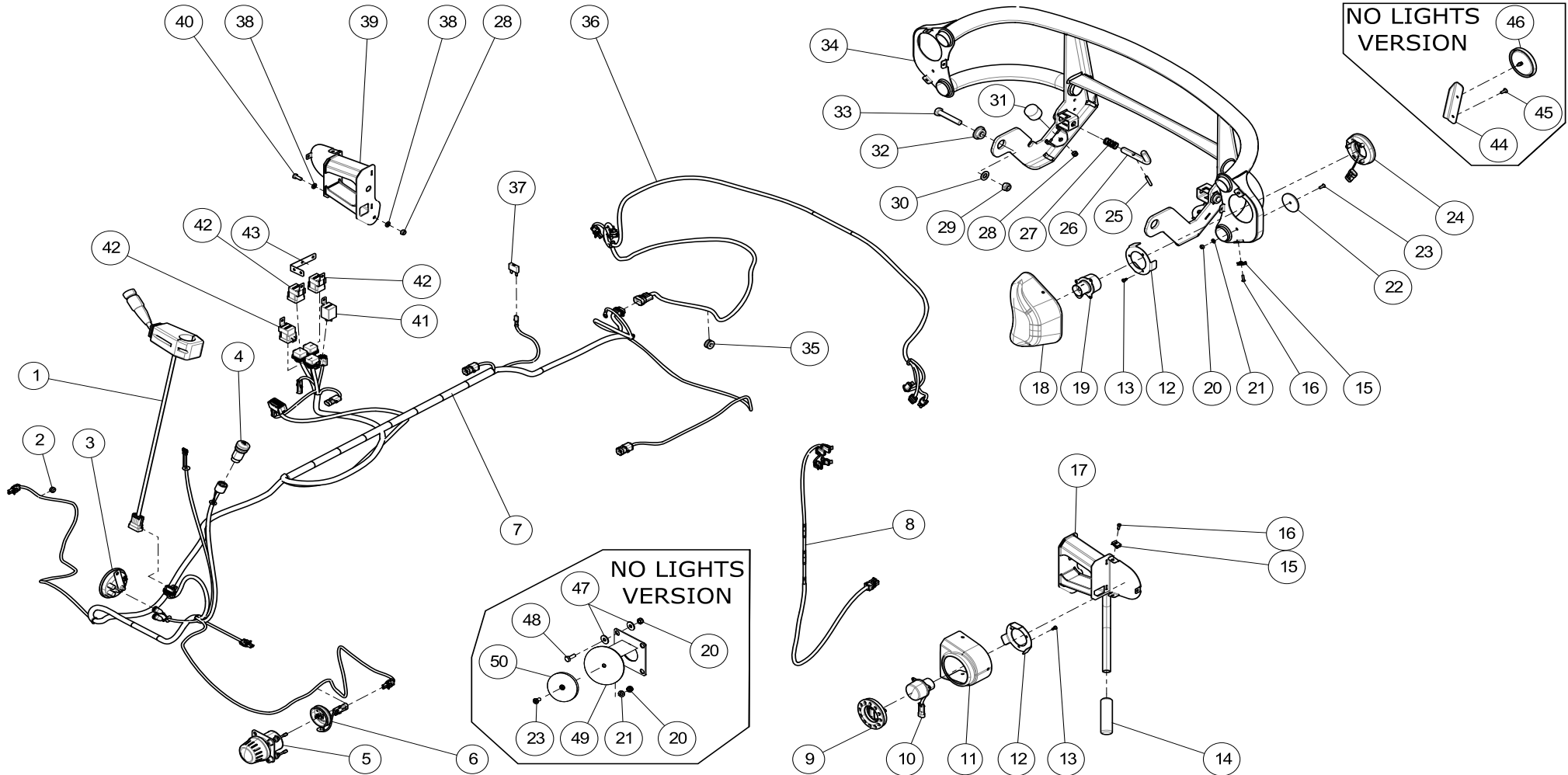
LIGHTING AND BUMPER | BELEUCHTUNG UND STOSSSTANGE | VERLICHTING EN BUMPER
 50708-128 + 50708-136 + 50708-129
 F5/R5



LIGHTING AND BUMPER | BELEUCHTUNG UND STOSSSTANGE | VERLICHTING EN BUMPER
50708-128 + 50708-136 + 50708-129
F5/R5

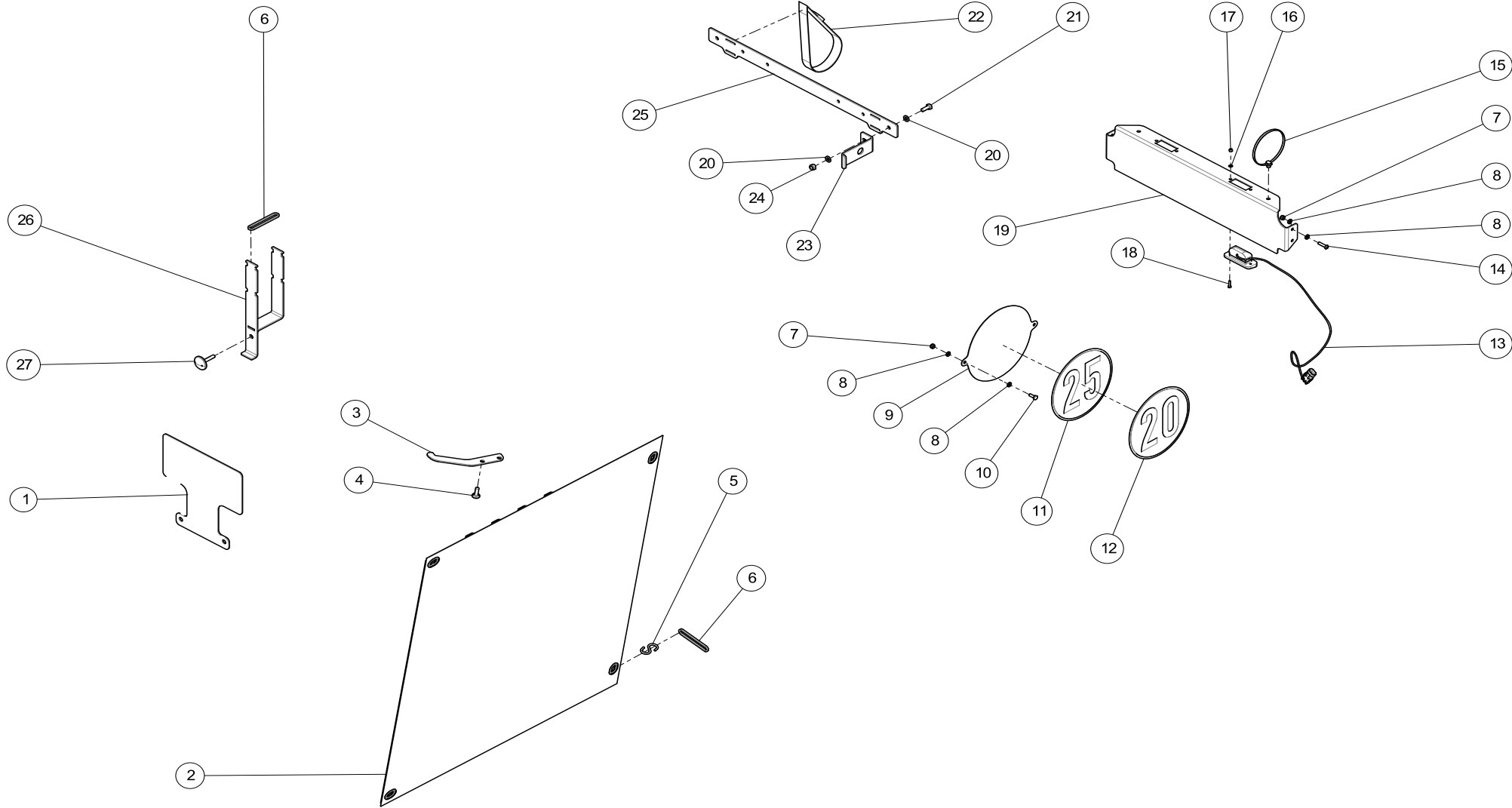
KEY	PART NO.	QTY	SERIAL NO.	DESCRIPTION	BESCHREIBUNG	OMSCHRIJVING
1	704296	1		SWITCH STEERING COLUMN CPL.	LENKSTOCKSCHALTER KPL.	STUURGREEPSCHAKELAAR KPL.
2	111175	2		GROMMET	TULLE	TULE
3	111002	1		HORN	HUPE	CLAXON
4	111003	1		SWITCH WARNING LIGHTS	SCHALTER WARNBLINKANZEIGE	SCHAKELAAR ALARMLICHT
5	110894	2		HEADLIGHT,M3	SCHEINWERFER,M3	KOPLAMP,M3
5	111164	2		HEADLIGHT,LEFT DRIVING M3	SCHEINWERFER,LINKS FAHREN M3	KOPLAMP,LINKS RIJDEND M3
6	704297	1		WIRING HARNES HEADLIGHT	KABELBAUM FRONTSCHWELWERFER	KABELBUNDEL KOPLAMP
7	704278	1		WIRING HARNESS,LIGHTING,FR5	KABELBAUM,BELEUCHTUNG,FR5	KABELBUNDEL,VERLICHTING,FR5
8	704295	2		WIRING HARNESS,LIGHTING ROPS,M3	KABELBAUM,BELEUCHTUNG ROPS,M3	KABELBUNDEL,VERLICHTING ROPS,M3
9	110900	2		PARKLIGHT,LED	PARKLEUCHTE,LED	PARKEERLICHT,LED
10	110899	2		TURN SIGNAL LAMP FRONT,LED	BLINKLEUCHTE VORDERSEITE,LED	KNIPPERLICHT VOORKANT,LED
11	704323	2		COVER LIGHT CABINE,M3	ABDECKUNG LEUCHTE KABINE,M3	AFDEKKING VERLICHTING KABINE,M3
12	0062.6417	4		CLAMPING PLATE LIGHTING,M3	SPANNPLATTE LEUCHTE,M3	SPANPLAAT VERLICHTING,M3
13	110887	12		SELF-TAPPING SCREW, TX,DIN7981C-4.2X13-WZ	SCHNEIDSCHRAUBE, TX,DIN7981C-4.2X13-WZN	ZELFTAPPER,SCHROEF, TX,DIN7981C-4.2X13-WZ
14	111039	1		GRIP DIA22 HEAVY	GRIFF DIA22 SCHWER	HANDVAT DIA22 ZWAAR
15	110987	12		SPEED NUT M5	FLACHMUTTER M5	PLAATMOER M5
16	110518	12		SCREW,SOC,ISO7380,M5X16-8.8-ZN	SCHRAUBE,ISK,ISO7380,M5X16-8.8-ZN	BOUW,BZK,ISO7380,M5X16-8.8-ZN
17	50708-225	1		BRACKET,LAMP LEFT FR5	STUETZE,LEUCHTE LINKS FR5	HOUDER,VERLICHTING LINKS FR5
18	704283	2		COVER LIGHT,FR5	ABDECKUNG LEUCHTE,FR5	AFDEKKING VERLICHTING,FR5
19	2099.0004	2		TURN SIGNAL LAMP REAR,LED	BLINKLEUCHTE RUCKSEITE,LED	KNIPPERLICHT ACHTERKANT,LED
20	101851	2		LOCK NUT M6	MUTTER SELBSTS.VERZ M6	DIN 985 ZELFBORGENDE MOER M6
21	110073	2		WASHER	UNTERLEGSCHWELBE	SLUITRING
22	100824	2		ADHESIVE REFLECTOR Ø61 RED	RÜCKSTRAHLER RUND Ø61 ROT	PLAK REFLECTOR Ø61 ROOD
23	110886	2		SCREW,CS,DIN966-M6X16-4.8-ZN	SENKSCHR.,KREUZ,DIN966-M6X16-4.8-ZN	SCHROEF,VZ,KRUIS,DIN966-M6X16-4.8-ZN
24	2099.0003	2		REARLIGHT COMBINATION,LED	HECKLEUCHTE,LED	ACHTERLICHT,LED
25	110891	2		PIN,SPRING-0.25X1.75-ASME B18.8.2-ZN	STIFT,FEDER-0.25X1.75-ASME B18.8.2-ZN	PEN,VEER-0.25X1.75-ASME B18.8.2-ZN

LIGHTING AND BUMPER | BELEUCHTUNG UND STOSSSTANGE | VERLICHTING EN BUMPER
 50708-128 + 50708-136 + 50708-129
 F5/R5



COVERS | ABDECKPLAN | BESCHERMHOEZEN
 50708-123 + 50708-124 + 50708-134 + 50708-138
 F5/R5

}
)
)
 |
 2
 }

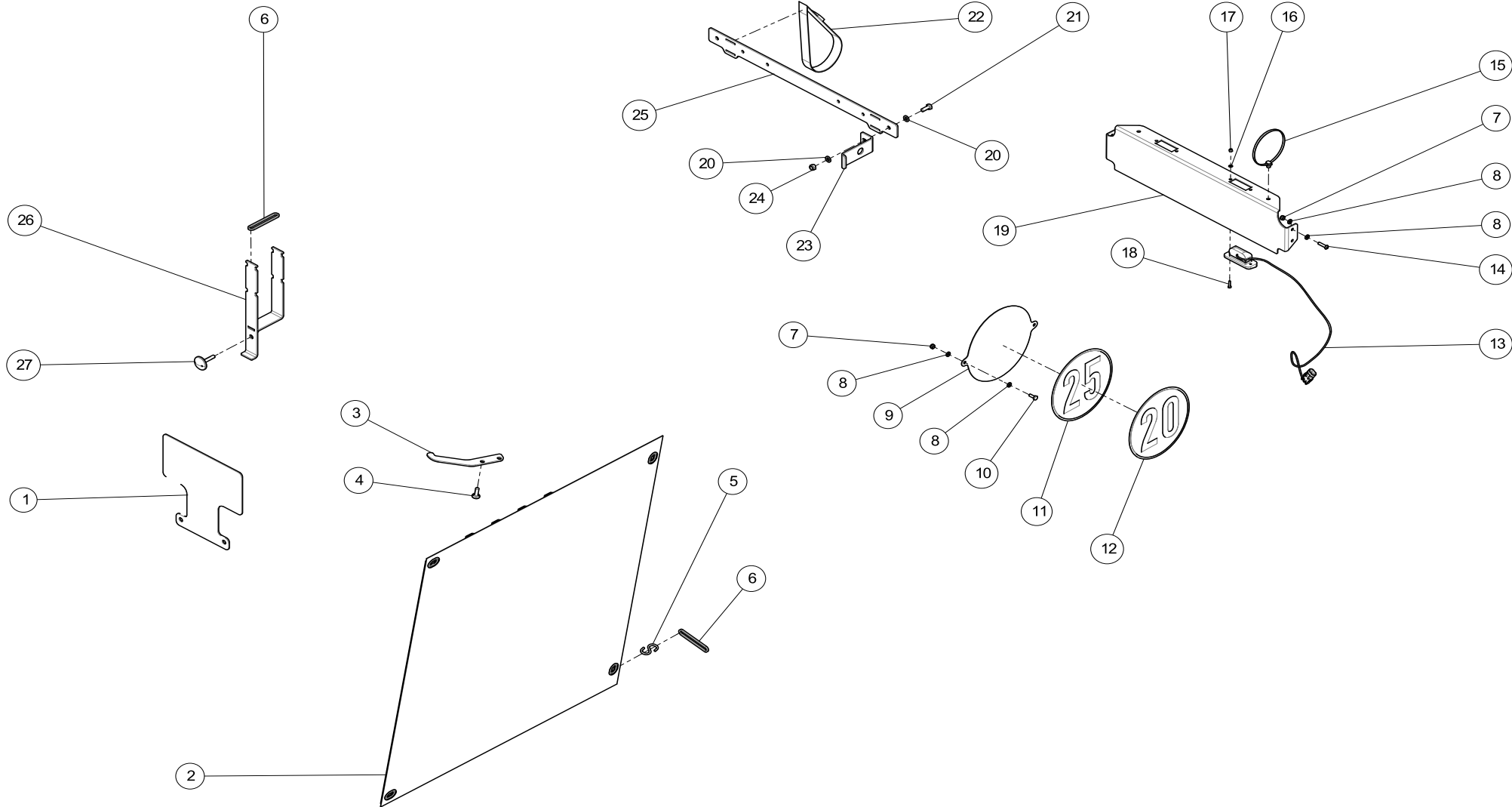


COVERS | ABDECKPLAN | BESCHERMHOEZEN
50708-123 + 50708-124 + 50708-134 + 50708-138
F5/R5

KEY	PART NO.	QTY	SERIAL NO.	DESCRIPTION	BESCHREIBUNG	OMSCHRIJVING
1	704261	1		BRACKET,LICENSE PLATE FRONT,M3	KENNZEICHENHALTER VORNE,M3	KENTEKENPLAATHOUDER VOOR,M3
2	704315	4		GUARD FLAIL CUTTING UNIT F3	SCHUTZ SCHLEGELMAEHAGGREGAT F3	BESCHERMHOES KLEPELSNIJMACHINE F3
2	704493	4		GUARD 10"	SCHUTZ 10"	BESCHERMHOES 10"
3	704316	8		MOUNTING STRIP COVER	MONTAGESTREIFEN ABDECKPLAN	MONTAGESTRIP BESCHERMHOES
4	110213	8		BOLT,RH,SQNECK,DIN603,M8X25-8.8-ZN	FLACHRUNDSCHRAUBE,DIN603,M8X25-8.8-ZN	SLOTBOUW,DIN603,M8X25-8.8-ZN
5	111036	8		S-HOOK	S-HAKEN	S-HAAK
6	111037	8		RUBBER BAND 50MM	GUMMIRING 50MM	RUBBERRING 50MM
7	101851	10		LOCK NUT M6	MUTTER SELBSTS.VERZ M6	DIN 985 ZELFBORGENDE MOER M6
8	110073	20		WASHER	UNTERLEGSCHIEBE	SLUITRING
9	704264	3		PLATE,DECAL 20/25 KM/H	PLATTE,AUFKLEBER 20/25 KM/H	PLAAT,STICKER 20/25 KM/H
10	110516	6		SCREW,HEX,DIN933,M6X16-8.8-ZN	SKT.SCHRAUBE,DIN933,M6X16-8.8-ZN	ZESK.TAPBOUW,DIN933,M6X16-8.8-ZN
11	110850	3		DECAL 25KM	AUFKLEBER 25KM	STICKER 25KM
12	110851	3		DECAL 20KM	AUFKLEBER 20KM	STICKER 20KM
13	704263	2		LICENSE PLATE LIGHT LED	KENNZEICHENLEUCHTE LED	KENTEKENLAMP LED
14	110520	4		SCREW,SOC,ISO7380,M6X25-8.8-ZN	SCHRAUBE,ISK,ISO7380,M6X25-8.8-ZN	BOUW,BZK,ISO7380,M6X25-8.8-ZN
15	110484	2		FIXING TIE WITH FIR TREE	BEFESTIGUNGSBINDER MIT LAMELLENFUSS	BEVESTIGINGSBAND MET LAMELVOET
16	110701	4		WASHER DIN125A-M4-ZN	UNTERLEGSCHIEBE DIN125A-M4-ZN	SLUITRING DIN125A-M4-ZN
17	110700	4		LOCKNUT,DIN985,M4-8-ZN	SKT.SICHERUNGSMUTTER,DIN985,M4-8-ZN	ZESK.BORGMOER,DIN985,M4-8-ZN
18	110849	4		CHEESE HEAD SCREW,SLOTTED,DIN84-M4X16-ZN	ZYLINDERSCHRAUBE,SCHLITZ,DIN84-M4X16-ZN	CILINDERSCHROEF,ZAAGSNEDE,DIN84-M4X16-ZN
19	704262	1		BRACKET,LICENSE PLATE FR5	KENNZEICHENHALTER FR5	KENTEKENPLAATHOUDER FR5
20	110214	4		WASHER DIN125A,M8-ZN	UNTERLEGSCHIEBE DIN125A,M8-ZN	SLUITRING DIN125A,M8-ZN
21	110192	2		SCREW,HEX,DIN933,M8X20-8.8-ZN	SKT.SCHRAUBE,DIN933,M8X20-8.8-ZN	ZESK.TAPBOUW,DIN933,M8X20-8.8-ZN
22	0082.0724	2		STRAP	SCHNUREN	SJORBAND
23	704318	2		BRACKET,DECAL MOUNT,M3	HALTER,AUFKLEBERPLATTE,M3	HOUDER,STICKERPLAAT,M3
24	101852	2		LOCK NUT M8	MUTTER SELBSTS.VERZ M8	DIN 985 ZELFBORGENDE MOER M8

COVERS | ABDECKPLAN | BESCHERMHOEZEN
 50708-123 + 50708-124 + 50708-134 + 50708-138
 F5/R5

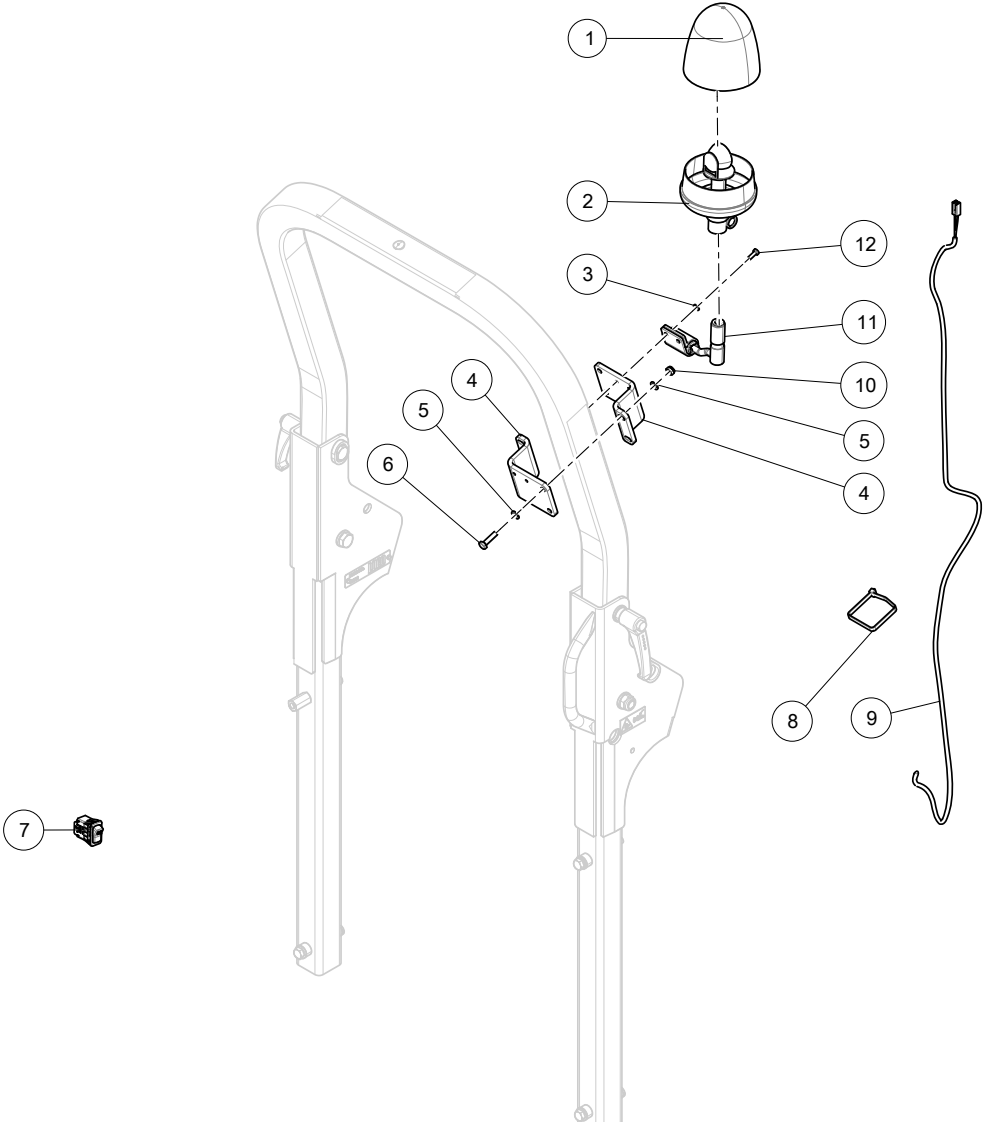
}
)



COVERS | ABDECKPLAN | BESCHERMHOEZEN
50708-123 + 50708-124 + 50708-134 + 50708-138
F5/R5

KEY	PART NO.	QTY	SERIAL NO.	DESCRIPTION	BESCHREIBUNG	OMSCHRIJVING
25	704317	1		STRIP,DECAL MOUNT,M3	STREIFEN,AUFKLEBERPLATTE,M3	STRIP,STICKERPLAAT,M3
26	50708-228	2		BRACKET,GUARD FLAIL CUTTING UNIT	HALTER,SCHUTZ SCHLEGELMAEHAGGREGAT	HOUDER,BESCHERMHOES KLEPELSNIJMACHINE
27	111153	2		BOLT,K-490	BOLZEN,K-490	BOUT,K-490

WARNING BEACON | RUNDUMLEUCHT | ZWAAILAMP
50708-119
F5/R5



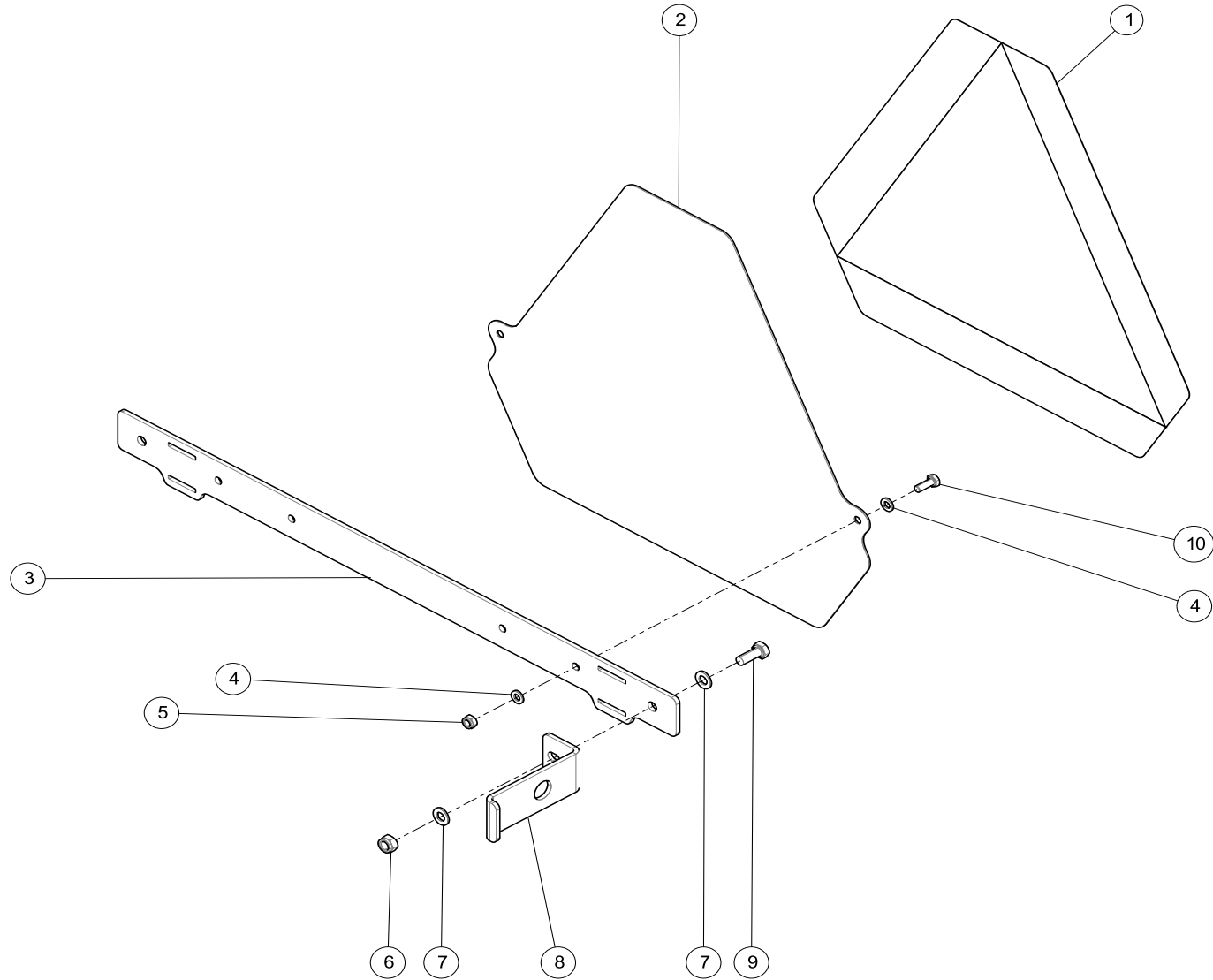
WARNING BEACON | RUNDUMLEUCHT | ZWAAILAMP

50708-119

F5/R5

KEY	PART NO.	QTY	SERIAL NO.	DESCRIPTION	BESCHREIBUNG	OMSCHRIJVING
1	111872	1		LENS,ROTATING LIGHT	LICHTSCHEIBE,RUNDUMLEUCHTE	GLASKAP,ZWAAILICHT
2	110880	1		ROTATING LIGHT (LED)	RUNDUMLEUCHTE (LED)	ZWAAILAMP (LED)
3	110073	2		WASHER	UNTERLEGSCHIEBE	SLUITRING
4	704274	2		CLAMPING STRIP,WARNING BEACON	KLEMMSTREIFEN,RUNDUMLEUCHT	KLEMSTRIP,ZWAAILAMP
5	110214	8		WASHER DIN125A,M8-ZN	UNTERLEGSCHIEBE DIN125A,M8-ZN	SLUITRING DIN125A,M8-ZN
6	110878	4		SCREW,HEX,DIN933,M8X30-8.8-ZN	SKT.SCHRAUBE,DIN933,M8X30-8.8-ZN	ZESK.TAPBOUT,DIN933,M8X30-8.8-ZN
7	110879	1		SWITCH,BEACON LIGHT,M3	SCHALTER,BLINKLICHT,M3	SCHAKELAAR,ZWAAILICHT,M3
8	106248	3		TIE BAND	KABELBINDER	KABELBINDER
9	704273	1		WIRING HARNESS,WARNING BEACON,M3	KABELBAUM,RUNDUMLEUCHT,M3	KABELBUNDEL,ZWAAILAMP,M3
10	101852	4		LOCK NUT M8	MUTTER SELBSTS.VERZ M8	DIN 985 ZELFBORGENDE MOER M8
11	110881	1		KIT SUPPORT ROTATING BEACON	SATZ STUETZE RUNDUMLEUCHTE	SET HOUDER ZWAAILAMP
12	110516	2		SCREW,HEX,DIN933,M6X16-8.8-ZN	SKT.SCHRAUBE,DIN933,M6X16-8.8-ZN	ZESK.TAPBOUT,DIN933,M6X16-8.8-ZN

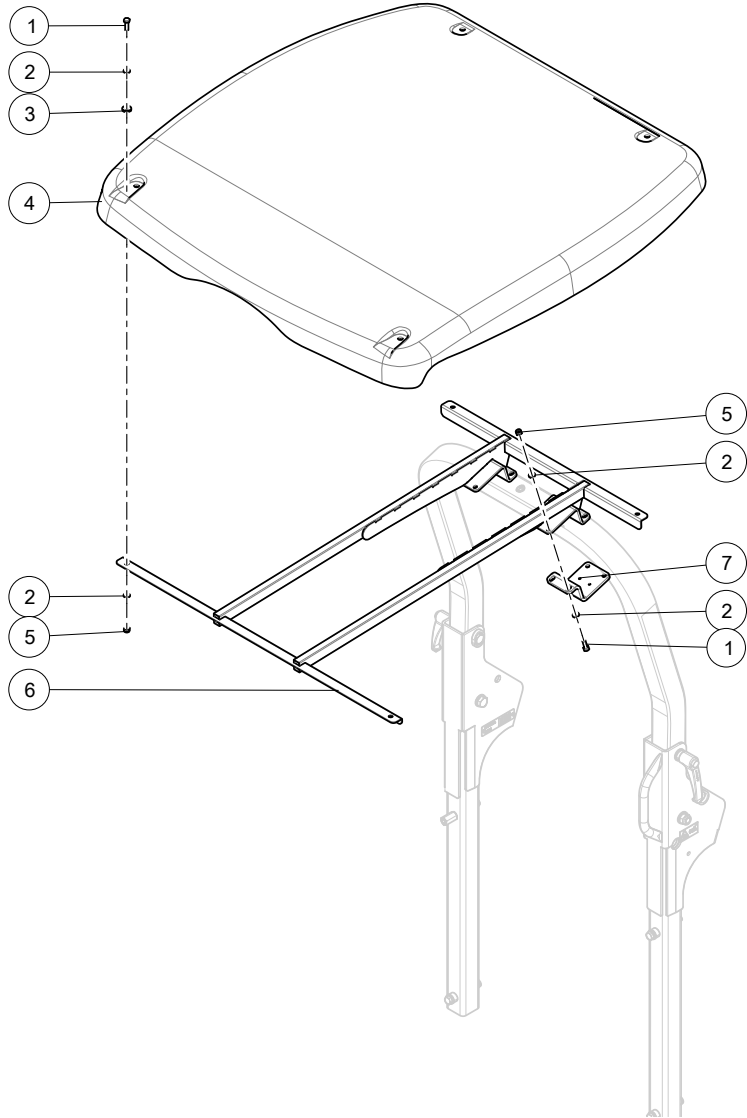
WARNING TRIANGLE | WARNDREIECK | GEVARENDRIEHOEK
50708-125 + 50708-132
F5/R5



WARNING TRIANGLE | WARNDREIECK | GEVARENDRIEHOEK
50708-125 + 50708-132
F5/R5

KEY	PART NO.	QTY	SERIAL NO.	DESCRIPTION	BESCHREIBUNG	OMSCHRIJVING
1	103375	1		L.R.V. STICKER	KLEBEFOLIE DREIECKIG	STICKER DRIEHOEK LRV
2	704320	1		PLATE,WARNING TRIANGLE,M3	PLATTE,WARNDREIECK,M3	PLAAT,GEVARENDRIEHOEK,M3
3	704317	1		STRIP,DECAL MOUNT,M3	STREIFEN,AUFKLEBERPLATTE,M3	STRIP,STICKERPLAAT,M3
4	110073	4		WASHER	UNTERLEGSCHIEBE	SLUITRING
5	101851	2		LOCK NUT M6	MUTTER SELBSTS.VERZ M6	DIN 985 ZELFBORGENDE MOER M6
6	101852	2		LOCK NUT M8	MUTTER SELBSTS.VERZ M8	DIN 985 ZELFBORGENDE MOER M8
7	110214	4		WASHER DIN125A,M8-ZN	UNTERLEGSCHIEBE DIN125A,M8-ZN	SLUITRING DIN125A,M8-ZN
8	704318	2		BRACKET,DECAL MOUNT,M3	HALTER,AUFKLEBERPLATTE,M3	HOUDER,STICKERPLAAT,M3
9	110192	2		SCREW,HEX,DIN933,M8X20-8.8-ZN	SKT.SCHRAUBE,DIN933,M8X20-8.8-ZN	ZESK.TAPBOUT,DIN933,M8X20-8.8-ZN
10	110516	2		SCREW,HEX,DIN933,M6X16-8.8-ZN	SKT.SCHRAUBE,DIN933,M6X16-8.8-ZN	ZESK.TAPBOUT,DIN933,M6X16-8.8-ZN

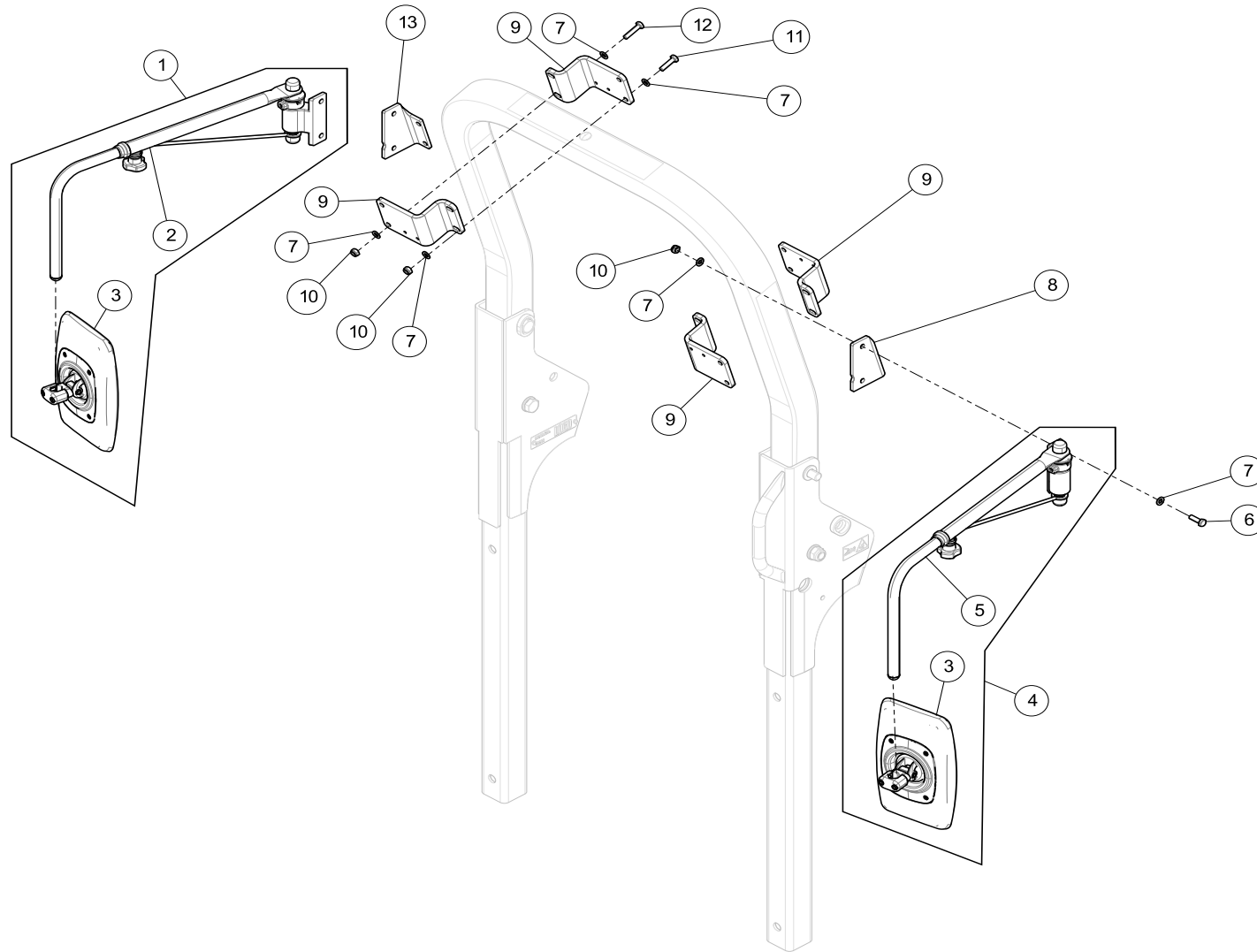
CANOPY | SCHUTTDACH | ZONNEKAP
50708-122
F5/R5



CANOPY | SCHUTDACH | ZONNEKAP
50708-122
F5/R5

KEY	PART NO.	QTY	SERIAL NO.	DESCRIPTION	BESCHREIBUNG	OMSCHRIJVING
1	110227	12		SCREW,HEX,DIN933,M8X25-8.8-ZN	SKT.SCHRAUBE,DIN933,M8X25-8.8-ZN	ZESK.TAPBOUT,DIN933,M8X25-8.8-ZN
2	110214	24		WASHER DIN125A,M8-ZN	UNTERLEGSCHIEBE DIN125A,M8-ZN	SLUITRING DIN125A,M8-ZN
3	704314	4		RUBBER RING,CANOPY,M3	GUMMIRING,SCHUTZDACH,M3	RUBBER RING,ZONNEDAK,M3
4	110948	1		CANOPY	SCHUTZDACH	ZONNEKAP
5	101852	12		LOCK NUT M8	MUTTER SELBSTS.VERZ M8	DIN 985 ZELFBORGENDE MOER M8
6	704313	1		FRAME,CANOPY,CPL.	RAHMEN,SCHUTZDACH,KPL.	FRAME,ZONNEKAP,KPL
7	704274	2		CLAMPING STRIP,WARNING BEACON	KLEMMSTREIFEN,RUNDUMLEUCHT	KLEMSTRIP,ZWAAILAMP

MIRROR | SPIEGEL | SPIEGEL
50708-120 + 50708-121
F5/R5



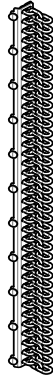
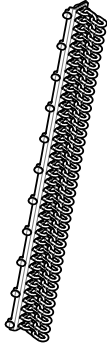
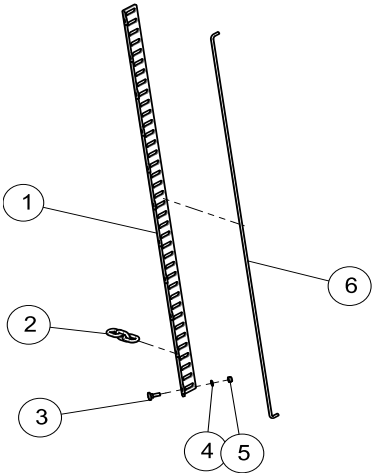
MIRROR | SPIEGEL | SPIEGEL
50708-120 + 50708-121
F5/R5

KEY	PART NO.	QTY	SERIAL NO.	DESCRIPTION	BESCHREIBUNG	OMSCHRIJVING
1	111034	1		MIRROR RIGHT,CPL.	SPIEGEL RECHTS,KPL.	SPIEGEL RECHTS,KPL.
2	111035	1		SUPPORT,MIRROR RIGHT,CPL	HALTER,SPIEGEL RECHTS,KPL.	HOUDER,SPIEGEL RECHTS,KPL.
3	111032	1		MIRROR	SPIEGEL	SPIEGEL
4	111028	1		MIRROR LEFT,CPL	SPIEGEL LINKS,KPL.	SPIEGEL LINKS,KPL.
5	111033	2		SUPPORT,MIRROR LEFT,CPL	HALTER,SPIEGEL LINKS,KPL.	HOUDER,SPIEGEL LINKS,KPL.
6	110227	2		SCREW,HEX,DIN933,M8X25-8.8-ZN	SKT.SCHRAUBE,DIN933,M8X25-8.8-ZN	ZESK.TAPBOUT,DIN933,M8X25-8.8-ZN
7	110214	12		WASHER DIN125A,M8-ZN	UNTERLEGSCHIEBE DIN125A,M8-ZN	SLUITRING DIN125A,M8-ZN
8	704310	1		BRACKET,MIRROR,LEFT	STUETZE,SPIEGEL,LINKS	MONTAGEPLAAT,SPIEGEL,LINKS
9	704274	2		CLAMPING STRIP,WARNING BEACON	KLEMMSTREIFEN,RUNDUMLEUCHT	KLEMSTRIP,ZWAAILAMP
10	101852	6		LOCK NUT M8	MUTTER SELBSTS.VERZ M8	DIN 985 ZELFBORGENDE MOER M8
11	110878	2		SCREW,HEX,DIN933,M8X30-8.8-ZN	SKT.SCHRAUBE,DIN933,M8X30-8.8-ZN	ZESK.TAPBOUT,DIN933,M8X30-8.8-ZN
12	111026	2		SCREW,HEX,DIN931,M8X35-8.8-ZN	SKT.SCHRAUBE,DIN931,M8X35-8.8-ZN	ZESK.BOUT,DIN931,M8X35-8.8-ZN
13	704311	1		BRACKET,MIRROR,RIGHT	STUETZE,SPIEGEL,RECHTS	MONTAGEPLAAT,SPIEGEL,RECHTS

DEFLECTOR KIT | ABWEISER SATZ | UITWORPBEVEILIGINGSSET

50708-126

F5



DEFLECTOR KIT | ABWEISER SATZ | UITWORPBEVEILIGINGSSET
50708-126
F5

KEY	PART NO.	QTY	SERIAL NO.	DESCRIPTION	BESCHREIBUNG	OMSCHRIJVING
1	704321	4		PLATE,CHAIN MOUNTING F3	PLATTE,KETTEMONTAGE F3	PLAAT,KETTINGMONTAGE F3
2	703996	152		CHAIN S6 L=3 LINKS DIN766 ZN	KETTE S6 L=3 GLIEDER DIN766 ZN	KETTING S6 L=3 SCHAKELS DIN766 ZN
3	110273	44		BOLT,RH,SQNECK,DIN603,M5X16-8.8-ZN	FLACHRUNDSCHRAUBE,DIN603,M5X16-8.8-ZN	SLOTBOUT,DIN603,M5X16-8.8-ZN
4	110275	44		WASHER DIN125A,M5-ZN	UNTERLEGSCHIEBE DIN125A,M5-ZN	SLUITRING DIN125A,M5-ZN
5	110274	44		LOCKNUT,DIN985,M5-6-ZN	SKT.SICHERUNGSMUTTER,DIN985,M5-6-ZN	ZESK.BORGMOER,DIN985,M5-6-ZN
6	703995	4		WIRE 4.2MM - BLANK - ZACHT GEGLOEID	DRAHT 4.2MM - BLANK - ZACHT GEGLOEID	DRAAD 4.2MM - BLANK - ZACHT GEGLOEID